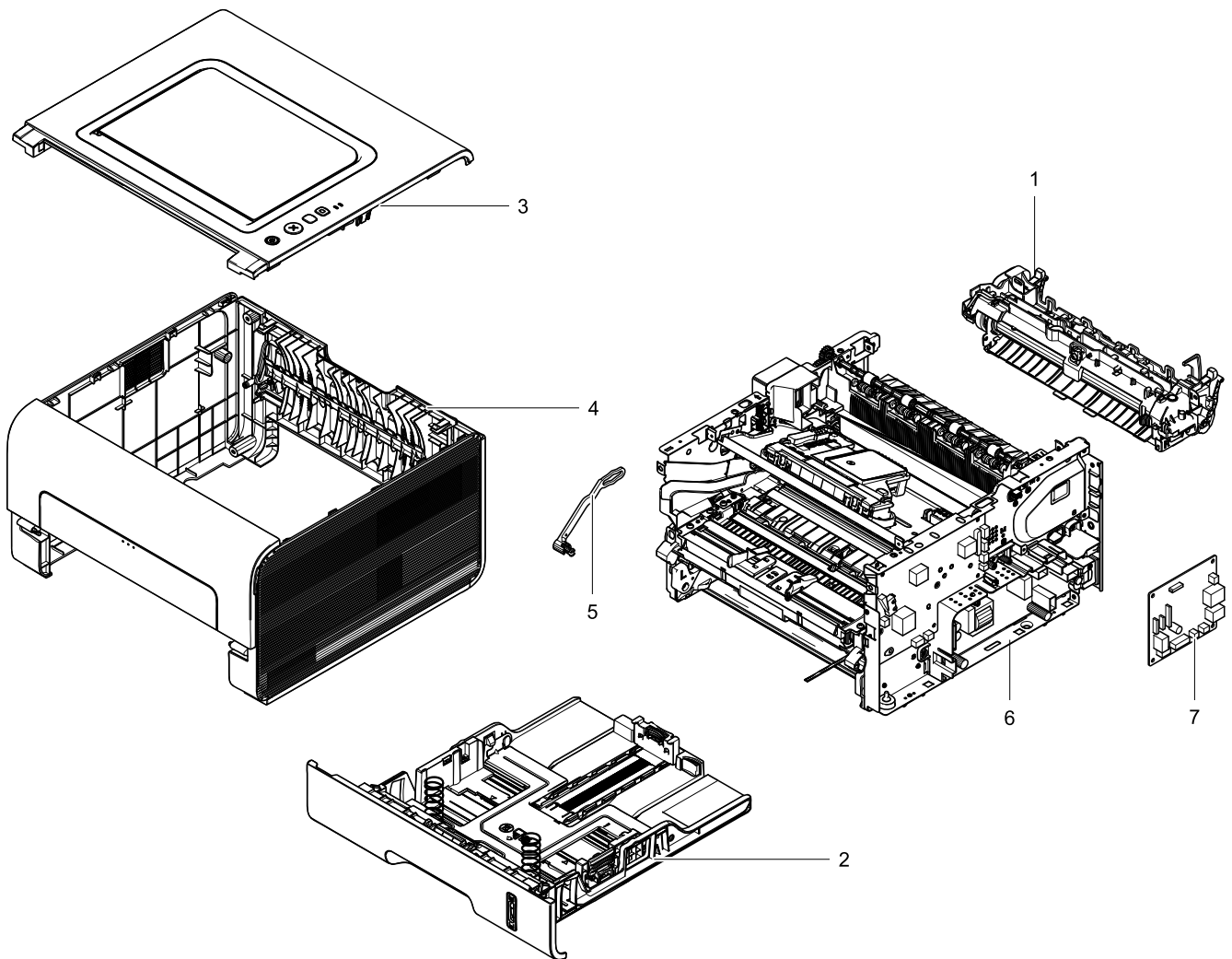


1. MAIN

Exploded View

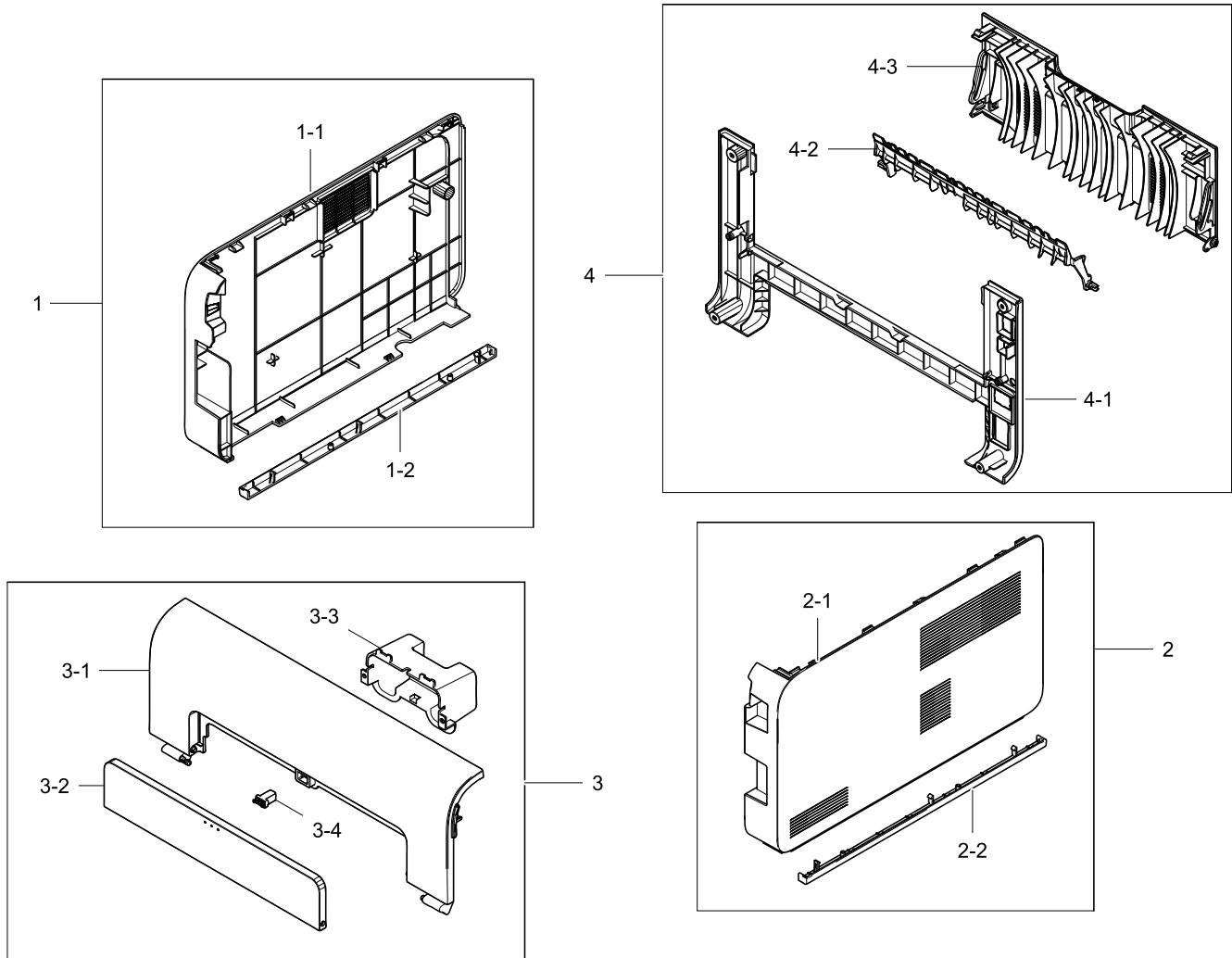


Parts List

| No. | Parent | Lvl. | Loc. | Material Code | Description & Specification | SNA | Qty. |
|-----|---------------|------|------|---------------|--|-----|------|
| 1 | ML-2955DW/ETS | 1 | | JC91-01034B | FUSER; ML-2950ND,SEC,WORLD,220V | SA | 1 |
| 2 | ML-2955DW/ETS | 1 | | JC90-01103A | CASSETTE; ML-2955ND,SEE | SA | 1 |
| 3 | ML-2955DW/ETS | 1 | | JC95-01459B | COVER-TOP; ML-2955ND,SEC | SNA | 1 |
| 4 | ML-2955DW/ETS | 1 | | JC95-01460A | COVER; ML-2955ND,SEC | SNA | 1 |
| 5 | JC98-01843A | 2 | | JC66-03035A | LEVER-COUPPING B; ML-2950ND,POM,WHT | SA | 1 |
| 6 | ML-2955DW/ETS | 1 | | JC93-00401A | FRAME MAIN; ML-2955ND,SEE,Cream white | SNA | 1 |
| 7 | ML-2955DW/ETS | 1 | | JC92-02411H | PBA-MAIN; ML-2950ND,ETS,5V, 24V,ML-2955DW | SA | 1 |

2. COVER

Exploded View



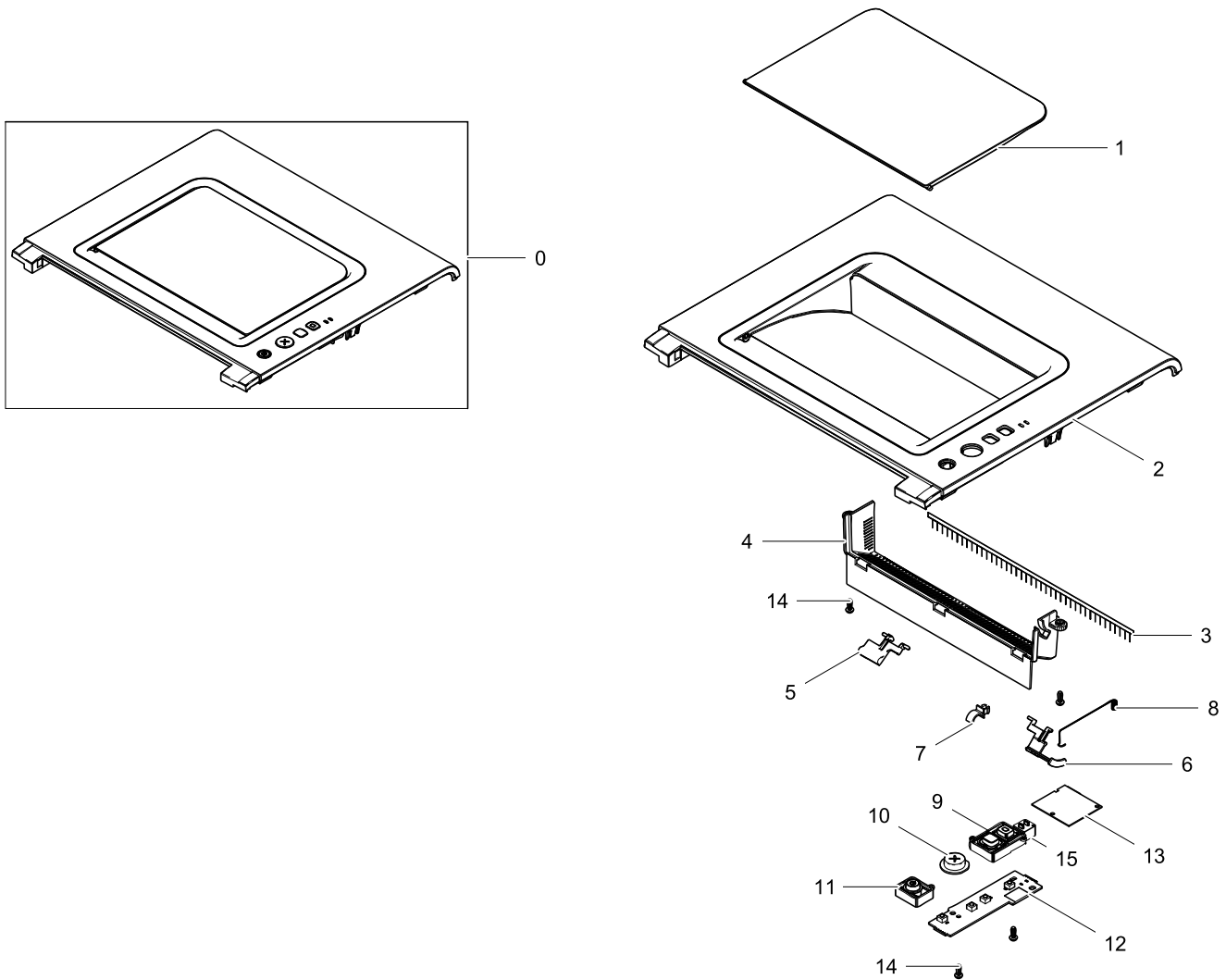
Parts List

| No. | Parent | Lvl. | Loc. | Material Code | Description & Specification | SNA | Qty. |
|-----|-------------|------|------|---------------|--|-----|------|
| 1 | JC95-01460A | 2 | | JC95-01535A | COVER-LEFT; ML-2955ND,SEC | SA | 1 |
| 1-1 | JC95-01535A | 3 | | JC63-03227A | COVER-LEFT; ML-2955ND,HIPS,2,321.3,188,Wa | SNA | 1 |
| 1-2 | JC95-01535A | 3 | | JC63-03118B | COVER-SIDE-DECO; ML-2955ND,HIPS,2,286.9,6 | SNA | 1 |
| 2 | JC95-01460A | 2 | | JC95-01536A | COVER-RIGHT; ML-2955ND,SEC | SA | 1 |
| 2-1 | JC95-01536A | 3 | | JC63-03228A | COVER-RIGHT; ML-2955ND,ABS VE-0812,2,321. | SNA | 1 |
| 2-2 | JC95-01536A | 3 | | JC63-03118A | COVER-SIDE_DECO; ML-2955ND,ABS VE-0812,2, | SNA | 1 |
| 3 | JC95-01460A | 2 | | JC95-01461A | COVER-FRONT; ML-2955ND,SEC,Cream white | SA | 1 |

| No. | Parent | Lvl. | Loc. | Material Code | Description & Specification | SNA | Qty. |
|-----|-------------|------|-------|---------------|--|-----|------|
| 3-1 | JC95-01461A | 3 | | JC63-03112A | COVER-FRONT; ML-2955ND,HIPS,2,347,137,Cre | SA | 1 |
| 3-2 | JC95-01461A | 3 | | JC63-03127A | COVER-MANUAL; ML-2955ND,HIPS,2,250.2,48,C | SA | 1 |
| 3-3 | JC95-01461A | 3 | | JC61-04390A | GUIDE-PUSH_DEVE; ML-2955ND,HIPS,81,40,HR- | SA | 1 |
| 3-4 | JC95-01461A | 3 | J3647 | JB64-00007A | LOCKER-LATCH PUSH; MJC-3305/CPQ,POM,BLACK | SA | 1 |
| 4 | JC95-01460A | 2 | | JC95-01462A | COVER-REAR; ML-2955ND,SEC,Cream white | SA | 1 |
| 4-1 | JC95-01462A | 3 | | JC63-03114A | COVER-REAR; ML-2955ND,HIPS,2,347,35.8,Cre | SA | 1 |
| 4-2 | JC95-01462A | 3 | | JC61-04377A | GUIDE-CHANGE_DUP; ML-2950ND,ABS,1.2,228,S | SA | 1 |
| 4-3 | JC95-01462A | 3 | | JC63-03109A | COVER-FACE_UP; ML-2955ND,HIPS,2.5,276.6,1 | SA | 1 |

3. COVER-TOP

Exploded View



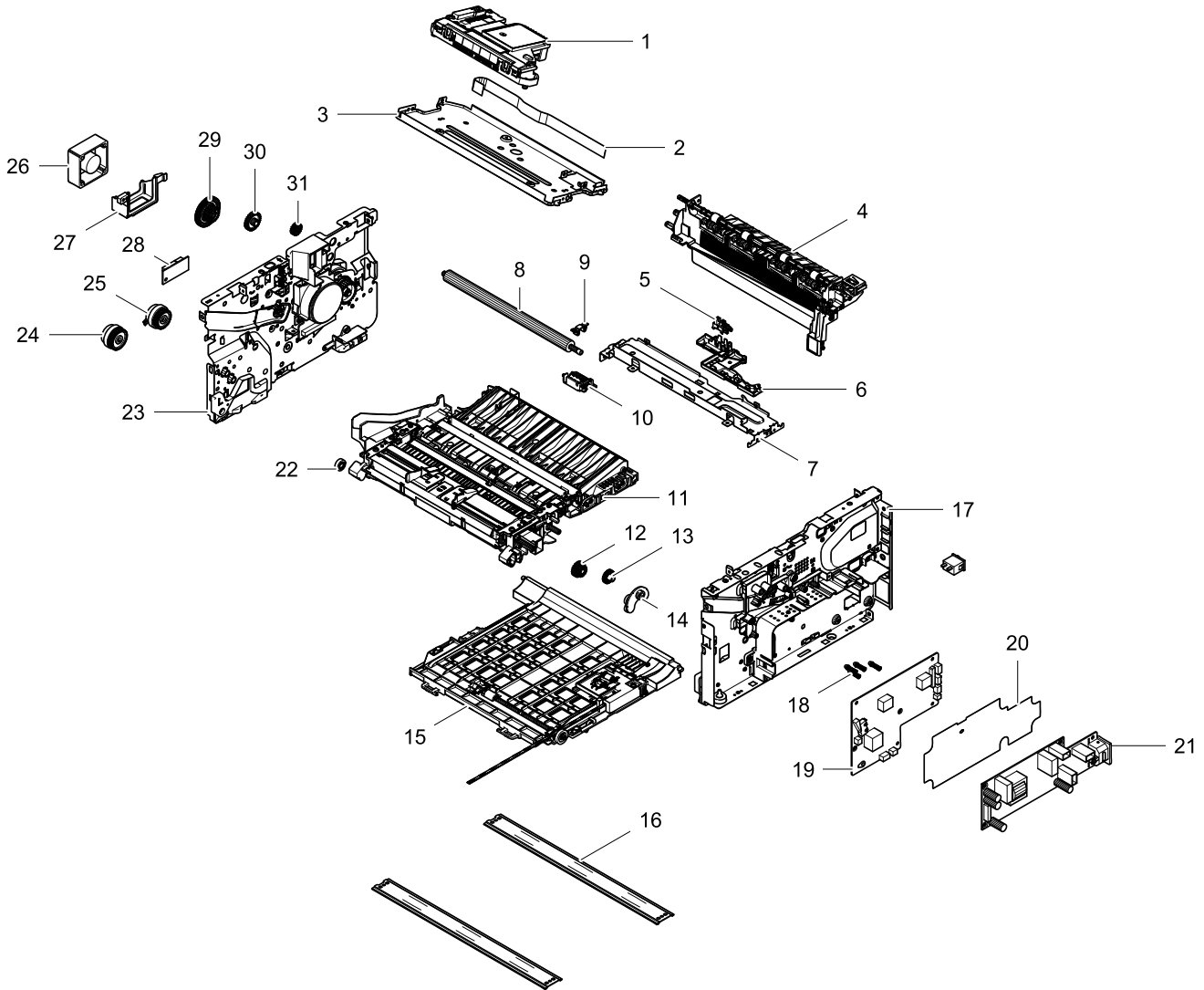
Parts List

| No. | Parent | Lvl. | Loc. | Material Code | Description & Specification | SNA | Qty. |
|-----|---------------|------|-------|---------------|--|-----|------|
| 0 | ML-2955DW/SEE | 1 | | JC95-01459B | COVER-TOP; ML-2955ND,SEC | SNA | 1 |
| 1 | JC95-01459B | 2 | | JC63-03117A | COVER-STACKER; ML-2955ND,ABS,2.5,227.2,15 | SA | 1 |
| 2 | JC95-01459B | 2 | | JC63-03116B | COVER-TOP; ML-2955ND,HIPS,2.5,311.7,346.5 | SNA | 1 |
| 3 | JC95-01459B | 2 | | JC67-00552A | BRUSH-ANTISTATIC; ML-2950ND,THUNDERON FIB | SA | 1 |
| 4 | JC95-01459B | 2 | | JC63-03119A | COVER-EXIT; ML-2955ND,HIPS,2,257.5,52.5,C | SA | 1 |
| 5 | JC95-01459B | 2 | G1621 | JC61-03321A | STACKER-RX_PAPER; ML-2855ND,POM,26.7,39.5 | SA | 1 |
| 6 | JC95-01459B | 2 | | JC61-04415A | STACKER-BIN_FULL; ML-2950ND,PC,46.56,26.5 | SA | 1 |

| No. | Parent | Lvl. | Loc. | Material Code | Description & Specification | SNA | Qty. |
|-----|-------------|------|-------|---------------|--|-----|------|
| 7 | JC95-01459B | 2 | L9445 | JC61-03973A | HOLDER-SHAFT; ML-1660,POM,21.8,BLACK | SA | 1 |
| 8 | JC95-01459B | 2 | | 6107-002926 | SPRING-ETC; SUS304,0.5,57.4,6.6,5,6 | SA | 1 |
| 9 | JC95-01459B | 2 | | JC64-00652A | KEY-WPS; ML-2950ND,ABS,12.2/10.2,PMMA(MIL | SA | 1 |
| 10 | JC95-01459B | 2 | | JC64-00650A | KEY-CANCEL; ML-2955ND,ABS,18.2,Cream whit | SA | 1 |
| 11 | JC95-01459B | 2 | | JC64-00649A | KEY-POWER; ML-2955ND,ABS,12.2,Cream White | SA | 1 |
| 12 | JC95-01459B | 2 | | JC92-02405B | PBA-OPE; ML-2950DW,OPE,33.75X107.3mm,FR1, | SA | 1 |
| 13 | JC95-01459B | 2 | | JC92-02402A | PBA-WNPC; ML-2950ND,Foxconn,Broadcom BCM4 | SA | 1 |
| 14 | JC98-01843A | 2 | F9909 | 6003-000196 | SCREW-TAPTYPE; PWH,+B,M3,L10,NI PLT,SWRC | SA | 1 |
| 15 | JC95-01459B | 2 | | JC64-00651A | KEY-FUNCTION; ML-2955ND,ABS,12.2/10.2,Cre | SA | 1 |

4. FRAME-MAIN

Exploded View



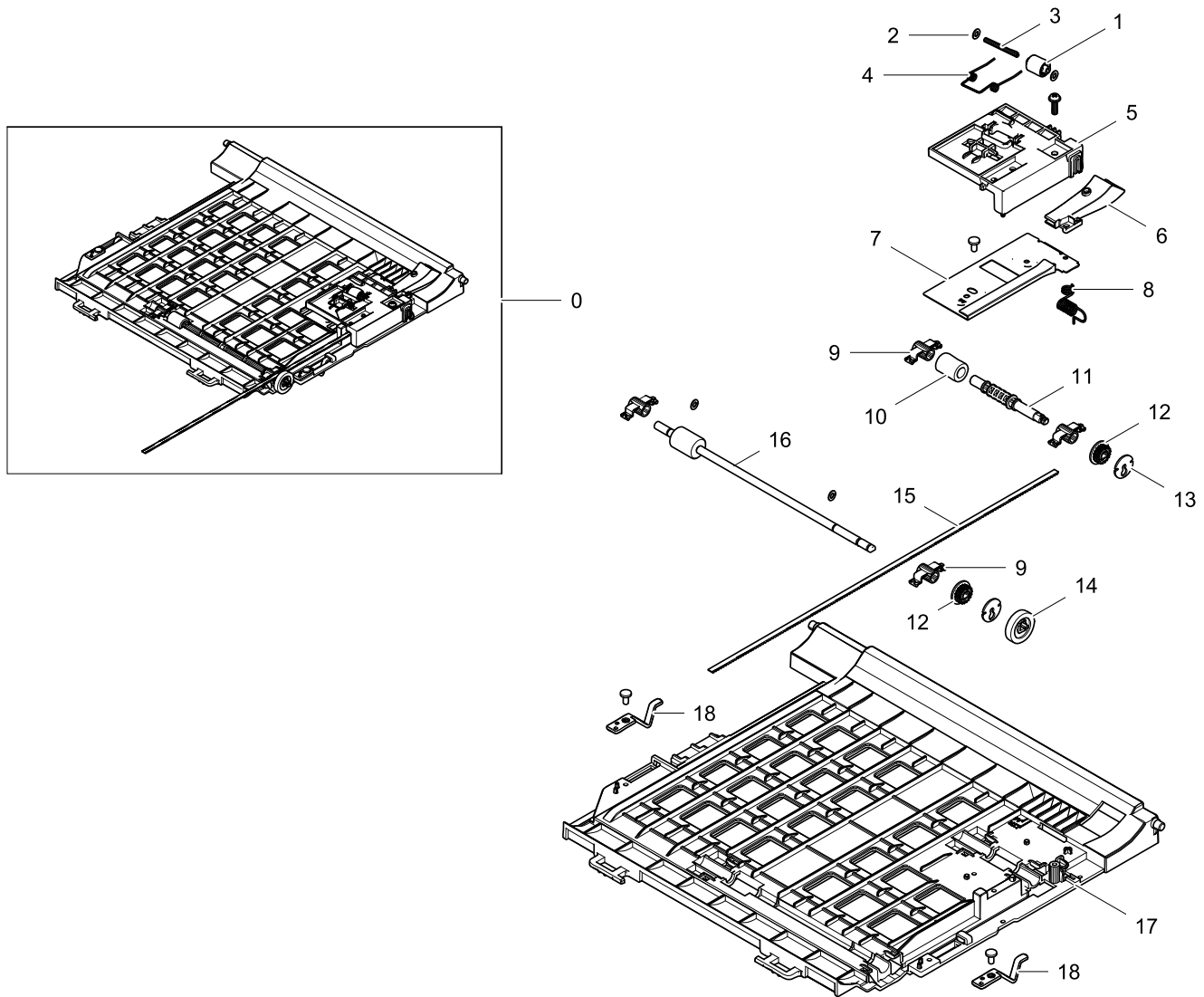
Parts List

| No. | Parent | Lvl. | Loc. | Material Code | Description & Specification | SNA | Qty. |
|-----|-------------|------|-------|---------------|--|-----|------|
| 1 | JC93-00401A | 2 | | JC97-03958A | LSU; ML-2950,SEC,Single,A4(Ltr),600,S1,78 | SA | 1 |
| 2 | JC93-00401A | 2 | | JC39-01530A | FLAT CABLE; ML-2950ND,12P, 14P,0.05,370mm | SA | 1 |
| 3 | JC93-00430A | 3 | | JC61-04357A | BRACKET-LSU; ML-2950ND,SECC,0.8T | SNA | 1 |
| 4 | JC93-00401A | 2 | | JC93-00410A | FRAME MAIN-EXIT; ML-2955ND,Cream white | SA | 1 |
| 5 | JC93-00429A | 3 | E9322 | 0604-001393 | PHOTO-INTERRUPTER; TR,75mW,BGA,TR | SA | 1 |
| 6 | JC93-00429A | 3 | | JC61-04388A | HOLDER-EXIT_SENSOR; ML-2950ND,PC,BLACK,23 | SA | 1 |

| No. | Parent | Lvl. | Loc. | Material Code | Description & Specification | SNA | Qty. |
|-----|-------------|------|-------|---------------|--|-----|------|
| 7 | JC93-00429A | 3 | | JC61-04383A | PLATE-FUSER; ML-2950ND,SECC,1.0T,275.5,37 | SNA | 1 |
| 8 | JC93-00401A | 2 | F9016 | JC66-01218A | ROLLER-TRANSFER; SCX-4200,NBR+ECO,15,218m | SA | 1 |
| 9 | JC93-00401A | 2 | | JC61-04068A | HOLDER-TR; ML-3700,ABS,2,24.4,9,ICE GREEN | SA | 1 |
| 10 | JC93-00430A | 3 | | JC93-00411A | FRAME-CRUM; ML-2950ND,SEC | SA | 1 |
| 11 | JC93-00401A | 2 | | JC93-00414A | FRAME-PAPER_PATH; ML-2950ND,SEC | SA | 1 |
| 12 | JC93-00401A | 2 | | JC66-03028A | GEAR-RDCN; ML-2950ND,POM,0.6/0.8,z23,WHT, | SA | 1 |
| 13 | JC93-00401A | 2 | | JC66-03012A | GEAR-DUPLEX DR; ML-2950ND,POM,0.6,z28,WHT | SA | 1 |
| 14 | JC93-00401A | 2 | | JC93-00418A | DRIVE-DUPLEX SWING; ML-2950ND,SEC | SA | 1 |
| 15 | JC93-00401A | 2 | | JC90-01109A | DUPLEX; ML-2955ND,SEE | SA | 1 |
| 16 | JC93-00401A | 2 | | JC61-04358A | PLATE-FRAME_BOTTOM; ML-2950ND,SECC,0.8T | SNA | 2 |
| 17 | JC93-00401A | 2 | | JC93-00407A | FRAME MAIN-RIGHT; ML-2950ND,SEE | SNA | 1 |
| 18 | JC93-00401A | 2 | | JC93-00402A | FRAME-TERMINAL; ML-2950ND,SEE | SA | 4 |
| 19 | JC93-00401A | 2 | | JC44-00205A | HVPS; 24V,21.6V~27.6V,MAX 5KV,MAX-2KV,600 | SA | 1 |
| 20 | JC93-00401A | 2 | | JC63-03162A | SHEET-INSULATOR; ML-2950ND,PC,0.254,181,7 | SNA | 1 |
| 21 | JC93-00401A | 2 | | JC44-00206A | SMPS-V2; ML-2950ND,P4M-SMP-2130_HYB-00-V2 | SA | 1 |
| 22 | JC93-00401A | 2 | | JC66-03014A | GEAR-FEED; ML-2950ND,POM,0.8,z16,WHT,SPUR | SA | 1 |
| 23 | JC93-00401A | 2 | | JC93-00406A | FRAME MAIN-LEFT; ML-2950ND,SEE | SNA | 1 |
| 24 | JC93-00401A | 2 | | JC47-00036A | CLUTCH-ELECTRIC Z45; ML-2950ND,DC24V 10% | SA | 1 |
| 25 | JC93-00401A | 2 | | JC47-00035A | CLUTCH-ELECTRIC Z41; ML-2950ND,DC24V 10% | SA | 1 |
| 26 | JC93-00401A | 2 | | JC31-00146A | FAN; 50*50*20,24V | SA | 1 |
| 27 | JC93-00401A | 2 | | JC61-04373A | HOLDER-FAN; ML-2950ND,PP,BLACK,HJ500R165 | SNA | 1 |
| 28 | JC93-00401A | 2 | | JC92-02406A | PBA-JOINT; ML-2950ND,JOINT,45mmX20mm,FR1, | SA | 1 |
| 29 | JC93-00401A | 2 | | JC66-03023A | GEAR-RDCN EXIT; ML-2950ND,POM,0.5/0.8,z74 | SA | 1 |
| 30 | JC93-00401A | 2 | | JC66-03017A | GEAR-IDLE EXIT; ML-2950ND,POM,0.8,z29,WHT | SA | 1 |
| 31 | JC93-00401A | 2 | | JC66-03013A | GEAR-EXIT; ML-2950ND,POM,0.8,z18,WHT,SPUR | SA | 1 |

4.1. DUPLEX

Exploded View



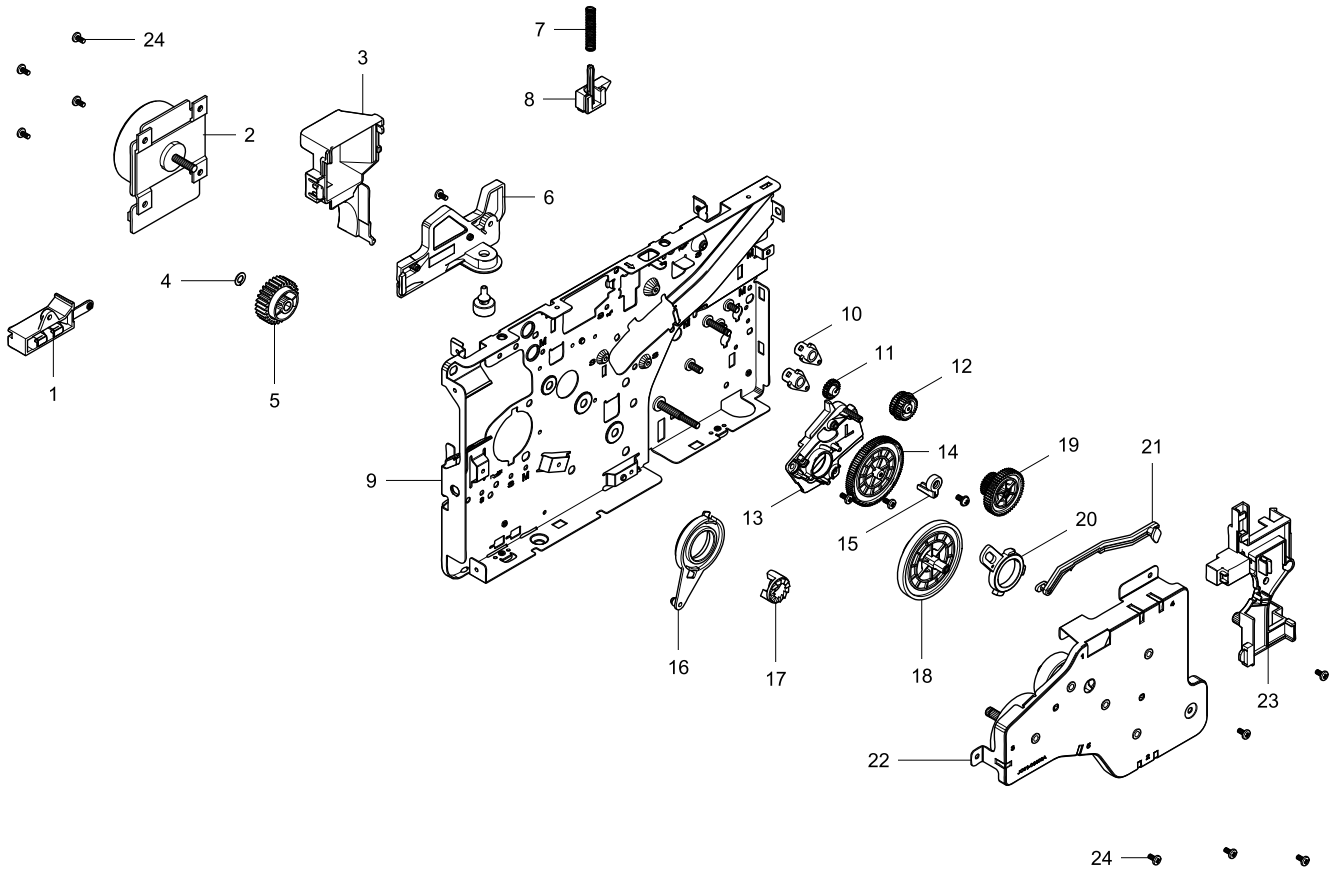
Parts List

| No. | Parent | Lvl. | Loc. | Material Code | Description & Specification | SNA | Qty. |
|-----|-------------|------|-------|---------------|--|-----|------|
| 0 | JC93-00401A | 2 | | JC90-01109A | DUPLEX; ML-2955ND,SEE | SA | 1 |
| 1 | JC90-01109A | 3 | F8925 | JC66-00896A | ROLLER-M-IDLE_DUP; ML-3560,POM,OD9.6,14. | SA | 1 |
| 2 | JC90-01109A | 3 | L8299 | JK72-00058A | PCT-SILP WASHER; SRP-350,T0.5,P.A+GRAPHIT | SNA | 2 |
| 3 | JC90-01109A | 3 | L5919 | JC66-00444A | SHAFT-IDLE ROLL, DUP; ML-2150,SUM24L,25,2 | SNA | 1 |
| 4 | JC90-01109A | 3 | L7559 | 6107-001156 | SPRING-TS; SWP-B,PI0.6,W20,ID3.5 | SNA | 1 |
| 5 | JC90-01109A | 3 | | JC61-04395A | GUIDE-DUPLEX_UPPER; ML-2950ND,ABS,2.0,60. | SA | 1 |

| No. | Parent | Lvl. | Loc. | Material Code | Description & Specification | SNA | Qty. |
|-----|-------------|------|-------|---------------|---|-----|------|
| 6 | JC90-01109A | 3 | | JC61-04393A | GUIDE-PAPER_DUPLEX; ML-2950ND,PC,1.5,14.8 | SA | 1 |
| 7 | JC90-01109A | 3 | | JC61-04403A | BRACKET-DUPLEX_ALIGN; ML-2950ND,SECC,0.6, | SNA | 1 |
| 8 | JC90-01109A | 3 | | JC65-00052A | TERMINAL-GND_DUPLEX; ML-2950ND,C5191W,OD8 | SA | 1 |
| 9 | JC90-01109A | 3 | | JC61-04407A | BUSH-ROLLER_DUP; ML-2950ND,POM,4.0,7.6,8. | SA | 4 |
| 10 | JC90-01109A | 3 | | JC66-03046A | ROLLER-RUBBER_FEED_DUP; ML-2955ND,EPDM,OD | SA | 1 |
| 11 | JC90-01109A | 3 | | JC66-03008A | SHAFT-FEED_DUP_1; ML-2950ND,POM,57.6,4,WH | SNA | 1 |
| 12 | JC90-01109A | 3 | | JC66-03010A | PULLEY-DUP; ML-2950ND,POM,WHITE,4.1,11.46 | SNA | 2 |
| 13 | JC90-01109A | 3 | F7340 | JC66-00900A | PULLEY-M-18-DUMMY_DUP; ML-3560,POM,HB,WHI | SNA | 2 |
| 14 | JC90-01109A | 3 | C3331 | JC66-00038A | GEAR-EXIT F/DOWN; ML-4500,POM,0.8,GREEN | SNA | 1 |
| 15 | JC90-01109A | 3 | G9102 | JC66-20901A | AUTO CLOSE-TIMING BELT; B32S2M280,CR+FG+N | SA | 1 |
| 16 | JC90-01109A | 3 | | JC66-03097A | ROLLER-FEED_DUP2; ML-2950ND,SUM22,5.6,GRA | SA | 1 |
| 17 | JC90-01109A | 3 | | JC61-04391A | FRAME-DUPLEX_BASE; ML-2950ND,HIPS,BLACK,2 | SNA | 1 |
| 18 | JC90-01109A | 3 | | JC64-00658A | LOCKER-DUP; NL-2950ND,POM,WHITE,DELTRIN 90 | SA | 2 |

4.2. FRAME MAIN-LEFT

Exploded View



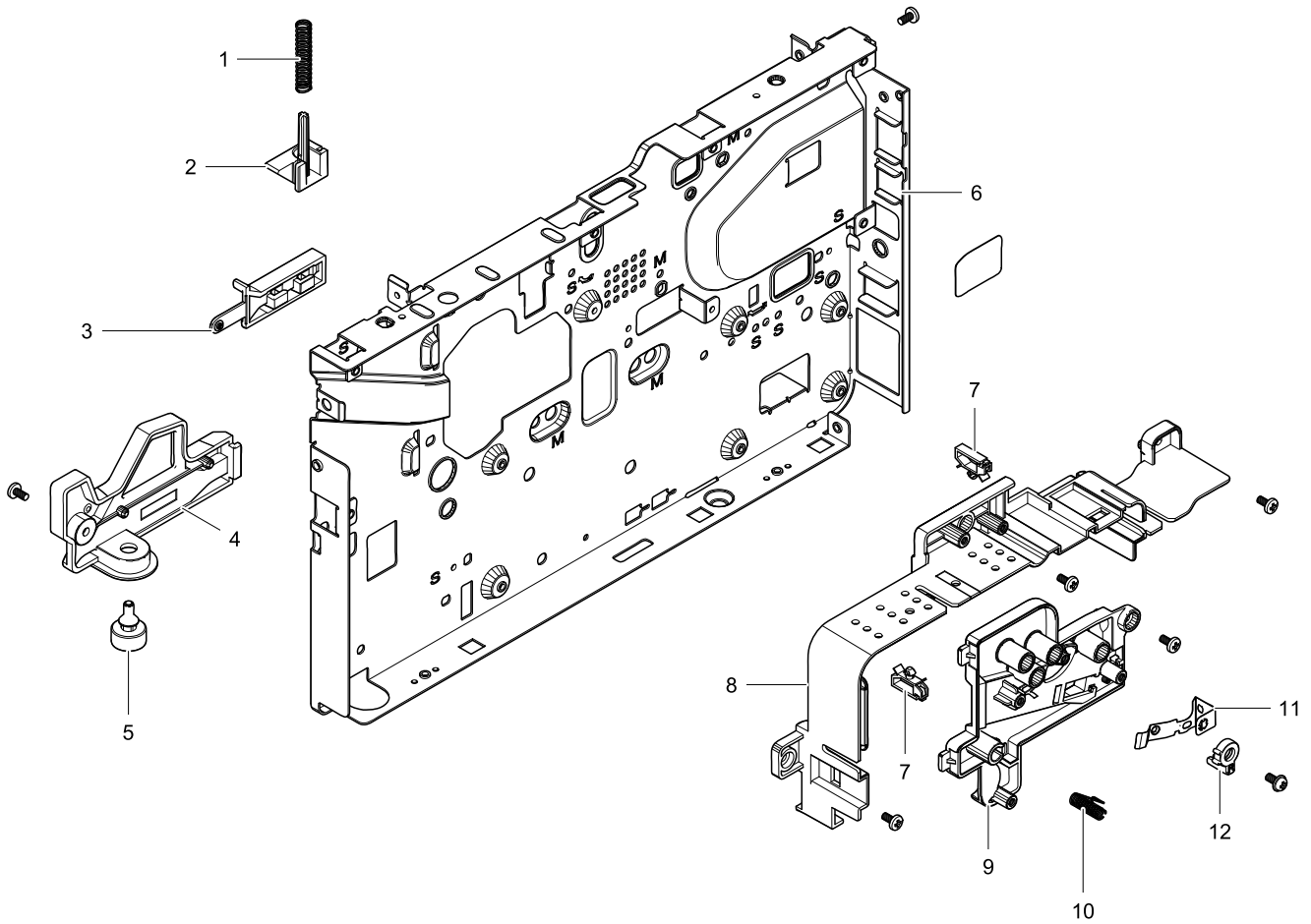
Parts List

| No. | Parent | Lvl. | Loc. | Material Code | Description & Specification | SNA | Qty. |
|-----|-------------|------|-------|---------------|--|-----|------|
| 1 | JC93-00406A | 3 | | JC61-04368A | GUIDE-CST_REAR_L; ML-2950ND,ABS,HF-0660I, | SA | 1 |
| 2 | JC93-00406A | 3 | | JC31-00156A | MOTOR BLDC-TYPE1; 300~2500rpm,DC 24V,25W, | SA | 1 |
| 3 | JC93-00406A | 3 | | JC67-00536A | DUCT-FAN; ML-2950ND,PP,56.9,96.9,HJ500R16 | SA | 1 |
| 4 | JC93-00406A | 3 | L8199 | 6031-001255 | WASHER-PLAIN; NYLON,CUTTING,ID5,OD9,T0.5, | SNA | 1 |
| 5 | JC93-00406A | 3 | | JC66-03016A | GEAR-FUSER DR OUT; ML-2950ND,POM,1.0,z29, | SA | 1 |
| 6 | JC93-00406A | 3 | | JC61-04370A | GUIDE-KNOCK_UP_L; ML-2950ND,ABS,HF-0660I, | SA | 1 |
| 7 | JC93-00407A | 3 | | 6107-002925 | SPRING-CS; SUS304,0.8,32.2,6.6,10.5,12.5 | SA | 1 |
| 8 | JC93-00406A | 3 | | JC61-04381A | PLATE-GUIDE_DEVE_L; ML-2950ND,POM,22.8,33 | SA | 1 |
| 9 | JC93-00406A | 3 | | JC61-04360A | FRAME-LEFT; ML-2950ND,SECC,0.8T | SNA | 1 |

| No. | Parent | Lvl. | Loc. | Material Code | Description & Specification | SNA | Qty. |
|-----|-------------|------|-------|---------------|--|-----|------|
| 10 | JC93-00406A | 3 | | JC61-04405A | BUSH-SHAFT_MP; ML-2950ND,POM,6.0,9.0,5,WH | SA | 2 |
| 11 | JC93-00406A | 3 | | JC66-03018A | GEAR-IDLE FEED2; ML-2950ND,POM,0.5,z24,WH | SA | 1 |
| 12 | JC93-00406A | 3 | | JC66-03019A | GEAR-IDLE FEED3; ML-2950ND,POM,0.5/0.8,z3 | SA | 1 |
| 13 | JC93-00406A | 3 | | JC61-04387A | HOLDER-COUPLER; ML-2950ND,PC,BLACK,230NH | SA | 1 |
| 14 | JC93-00406A | 3 | | JC66-03020A | GEAR-IDLE FEED; ML-2950ND,POM,0.5,z94,WHT | SA | 1 |
| 15 | JC93-00406A | 3 | | JC66-02998A | LEVER-OPC HOLDER_L; ML-2950ND,POM,F20-02, | SA | 1 |
| 16 | JC93-00406A | 3 | | JC61-04412A | BUSH-FUSER SWING; ML-2950ND,POM,21.4,36,W | SA | 1 |
| 17 | JC93-00406A | 3 | C3424 | JC66-00340A | GEAR-HUB CLUTCH; SCX-5100,POM,M0.8,Z13,NT | SA | 1 |
| 18 | JC93-00406A | 3 | | JC66-03024A | GEAR-RDCN FEED1; ML-2950ND,POM,0.5,z101/z | SA | 1 |
| 19 | JC93-00406A | 3 | | JC66-03025A | GEAR-RDCN FEED2; ML-2950ND,POM,0.5/0.6,z3 | SA | 1 |
| 20 | JC93-00406A | 3 | | JC67-00538A | COUPLER-CAM; ML-2950ND,POM,T5.0,ID20.32,O | SA | 1 |
| 21 | JC93-00406A | 3 | | JC66-03034A | LEVER-COUPLING A; ML-2950ND,POM,Black | SA | 1 |
| 22 | JC93-00406A | 3 | | JC93-00417A | DRIVE-MAIN; ML-2950ND | SA | 1 |
| 23 | JC93-00406A | 3 | | JC63-03123A | COVER-HARNESS; ML-2950ND,ABS,93.6,101.26, | SNA | 1 |
| 24 | JC93-00406A | 3 | F9840 | 6003-000269 | SCREW-TAPTYPE; BH,+,-,S,M3,L6,ZPC(WHT),SW | SA | 12 |

4.3. FRAME MAIN-RIGHT

Exploded View



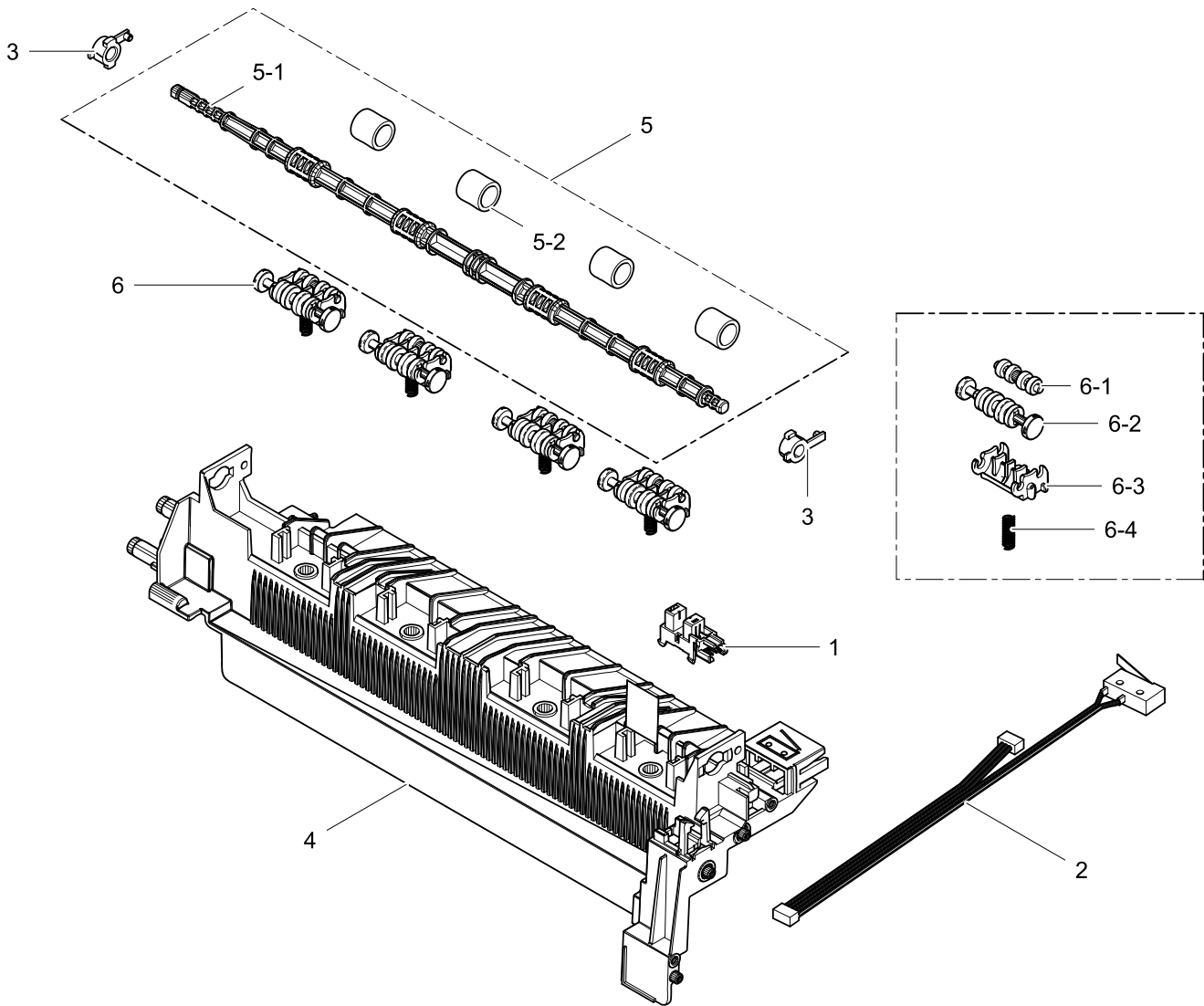
Parts List

| No. | Parent | Lvl. | Loc. | Material Code | Description & Specification | SNA | Qty. |
|-----|-------------|------|-------|---------------|--|-----|------|
| 1 | JC93-00407A | 3 | | 6107-002925 | SPRING-CS; SUS304,0.8,32.2,6.6,10.5,12.5 | SA | 1 |
| 2 | JC93-00407A | 3 | | JC61-04382A | PLATE-GUIDE_DEVE_R; ML-2950ND,POM,22.8,33 | SA | 1 |
| 3 | JC93-00407A | 3 | | JC61-04369A | GUIDE-CST_REAR_R; ML-2950ND,ABS,VO,VE-081 | SA | 1 |
| 4 | JC93-00407A | 3 | | JC61-04371A | GUIDE-KNOCK_UP_R; ML-2950ND,ABS,VE-0812,B | SA | 1 |
| 5 | JC93-00407A | 3 | I4848 | JC61-40001A | FOOT-ML80; ML-80,NBR,GRAY | SNA | 1 |
| 6 | JC93-00407A | 3 | | JC61-04359A | FRAME-RIGHT; ML-2950ND,SECC,0.8T | SNA | 1 |
| 7 | JC93-00407A | 3 | L9053 | 6502-001130 | CABLE CLAMP; DACS-3N,14*5,Nylon66,BLACK | SA | 2 |
| 8 | JC93-00407A | 3 | | JC63-03120A | COVER-SMPS; ML-2950ND,ABS,1.5,162.5,91,BL | SNA | 1 |

| No. | Parent | Lvl. | Loc. | Material Code | Description & Specification | SNA | Qty. |
|-----|-------------|------|------|---------------|---|-----|------|
| 9 | JC93-00407A | 3 | | JC61-04386A | GUIDE-DEVE_R; ML-2950ND,PC,NH-3204G,PART | SA | 1 |
| 10 | JC93-00407A | 3 | | 6107-002923 | SPRING-ETC; SUS304,0.5,22.4,4.0,9.6,11.6 | SA | 1 |
| 11 | JC93-00407A | 3 | | JC63-03110A | GROUND-OPC; ML-2950ND,SUS,0.2T | SNA | 1 |
| 12 | JC93-00407A | 3 | | JC66-02999A | LEVER-OPC HOLDER_R; ML-2950ND,POM,Black | SNA | 1 |

4.4. FRAME MAIN-EXIT

Exploded View



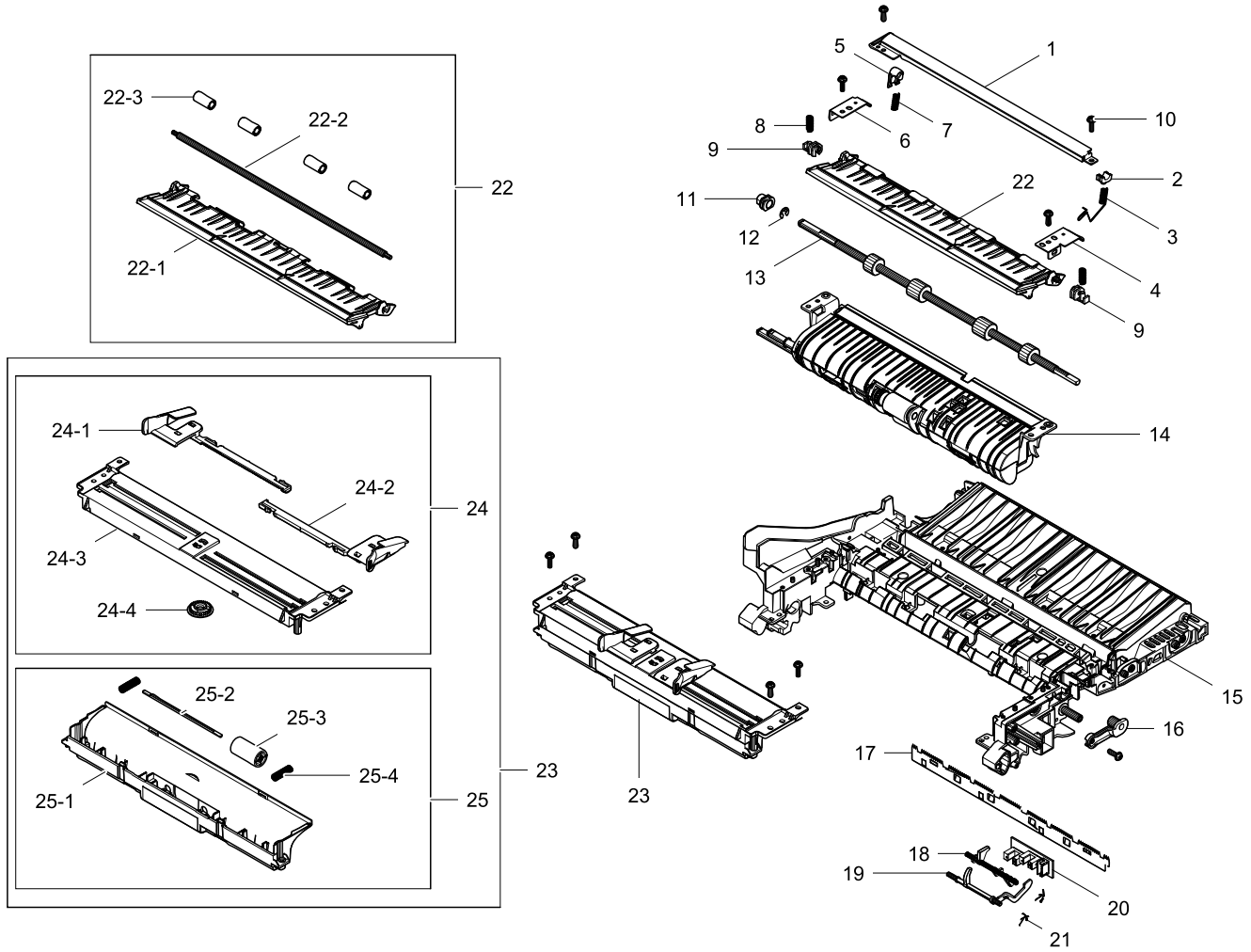
Parts List

| No. | Parent | Lvl. | Loc. | Material Code | Description & Specification | SNA | Qty. |
|-----|-------------|------|-------|---------------|--|-----|------|
| 1 | JC93-00410A | 3 | E9322 | 0604-001393 | PHOTO-INTERRUPTER; TR,75mW,BGA,TR | SA | 1 |
| 2 | JC93-00410A | 3 | | JC39-01533A | HARNESS-BINFULL; ML-2950ND,UL10272,5PIN,1 | SA | 1 |
| 3 | JC93-00410A | 3 | | JC61-03782B | BUSH-SHAFT_EXIT; Others,KIWhA | SA | 2 |
| 4 | JC93-00410A | 3 | | JC61-04385A | FRAME-EXIT; ML-2955ND,PC,Cream white,274. | SNA | 1 |
| 5 | JC93-00410A | 3 | | JC93-00412A | FRAME-EXIT ROLLER; ML-2950ND,SEC | SA | 1 |
| 5-1 | JC93-00412A | 4 | | JC66-03001A | SHAFT-EXIT_F_DN; ML-2950ND,PBT+GF,280.9,8 | SNA | 1 |

| No. | Parent | Lvl. | Loc. | Material Code | Description & Specification | SNA | Qty. |
|-----|-------------|------|-------|---------------|--|-----|------|
| 5-2 | JC93-00412A | 4 | L4203 | JC73-40915A | RMO-RUBBER EXIT; SF-5800P,EPDM,11.6 PI,60 | SA | 4 |
| 6 | JC93-00410A | 3 | | JC93-00413A | FRAME-ROLLER DECURL; ML-2950ND,SEC | SA | 4 |
| 6-1 | JC93-00413A | 4 | R0128 | JC66-00934A | ROLLER-M_EXIT FR; ML-1610,TEFLON-NTR,6.5, | SNA | 4 |
| 6-2 | JC93-00413A | 4 | L9513 | JC66-02742A | ROLLER-EXIT_MAIN; ML-1660,POM,9.2,BLACK | SA | 4 |
| 6-3 | JC93-00413A | 4 | L9431 | JC61-03781A | HOLDER-EXIT_F_DOWN; ML-1660,PC,BLACK | SNA | 4 |
| 6-4 | JC93-00413A | 4 | G1505 | 6107-001163 | SPRING-CS; SUS304-WPB,PI0.4,D3.9,L13,ID3. | SA | 4 |

4.5. FRAME-PAPER_PATH

Exploded View



Parts List

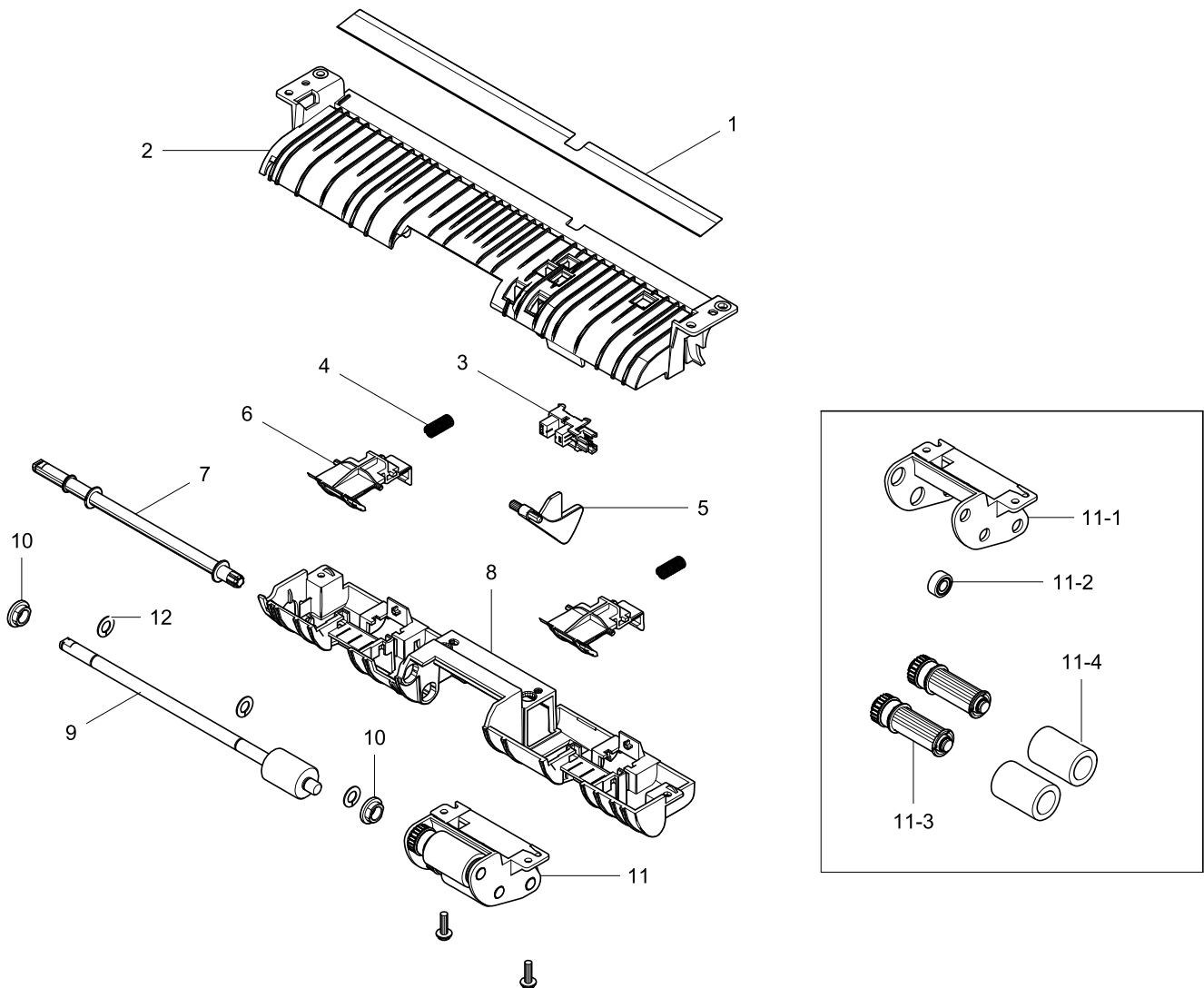
| No. | Parent | Lvl. | Loc. | Material Code | Description & Specification | SNA | Qty. |
|-----|-------------|------|-------|---------------|--|-----|------|
| 1 | JC93-00414A | 3 | K7736 | JC61-02236A | PLATE-EARTH-TRANSFER; ML-2851ND,SECC,1.0, | SNA | 1 |
| 2 | JC93-00414A | 3 | A7675 | JC61-02468A | BUSH-TR_L; ML-2851ND,STEEL SINTERED | SA | 1 |
| 3 | JC93-00414A | 3 | | 6107-002922 | SPRING-ETC; SUS304,0.5,40.2,4.0,6,8 | SA | 1 |
| 4 | JC93-00414A | 3 | | JC61-04361A | PLATE-PUSH BUSH R; ML-2950ND,SECC,0.8T | SNA | 1 |
| 5 | JC93-00414A | 3 | | JC61-04413A | BUSH-TR_L; ML-2950ND,POM,6.1,8,12.5,BLACK | SA | 1 |
| 6 | JC93-00414A | 3 | | JC61-04362A | PLATE-PUSH BUSH L; ML-2950ND,SECC,0.8T | SNA | 1 |
| 7 | JC93-00414A | 3 | G1480 | 6107-001370 | SPRING-CS; STS304WPB,NO FIN,PI0.45,D4.45, | SNA | 1 |

| No. | Parent | Lvl. | Loc. | Material Code | Description & Specification | SNA | Qty. |
|------|-------------|------|-------|---------------|--|-----|------|
| 8 | JC93-00414A | 3 | G1436 | JC61-70958A | SPRING ETC-TR; ML-5000A,SUS304 WPB,PI0.55 | SNA | 2 |
| 9 | JC93-00414A | 3 | A7646 | JC61-00585A | BUSH-M-FEED IDLE; ML-1710,POM AT-15CF,3 | SA | 2 |
| 10 | JC93-00414A | 3 | F9909 | 6003-000196 | SCREW-TAPTYPE; PWH,+B,M3,L10,NI PLT,SWRC | SA | 9 |
| 11 | JC93-00414A | 3 | | JC61-04406A | BUSH-SHAFT_EXIT; ML-2950ND,POM,6.0,9.0,7. | SA | 1 |
| 12 | JC93-00414A | 3 | F8266 | 6044-000125 | RING-E; ID4,OD9,T0.6,STSC | SA | 1 |
| 13 | JC93-00414A | 3 | | JC66-03044A | ROLLER-REGI; ML-2950ND,EPDM+SUM,14.25,303 | SA | 1 |
| 14 | JC93-00414A | 3 | | JC93-00404A | FRAME BASE-PICKUP; ML-2955ND,SEE | SA | 1 |
| 15 | JC93-00414A | 3 | | JC61-04384A | FRAME-MIDDLE; ML-2950ND,ABS,272.1,221,HF- | SA | 1 |
| 16 | JC93-00414A | 3 | | JC61-04376A | HOLDER-REGI; ML-2950ND,POM,WHT,F20-02 | SA | 1 |
| 17 | JC93-00414A | 3 | E9623 | JC61-00604A | PLATE-P-SAW; ML-1400,SUS304-CSP,0.15,15.1 | SNA | 1 |
| 18 | JC93-00414A | 3 | | JC66-02996A | ACTUATOR-FEED; ML-2950ND,PC,NH-1035P,Blac | SA | 1 |
| 19 | JC93-00414A | 3 | | JC66-02995A | ACTUATOR-REGI; ML-2950ND,PC,NH-1035P,Blac | SA | 1 |
| 20 | JC93-00414A | 3 | L9546 | JC92-02288A | PBA-FEED SENSOR; ML-1660,SEC,FEED SENSOR, | SA | 1 |
| 21 | JC93-00414A | 3 | G1591 | 6107-001164 | SPRING-TS; SUS304-WPB,PI0.15,D3.95,L12,ID | SA | 2 |
| 22 | JC93-00414A | 3 | | JC93-00403A | FRAME BASE-REGI; ML-2955ND,SEE | SA | 1 |
| 22-1 | JC93-00403A | 4 | | JC63-03126A | COVER-PAPER_GUIDE; ML-2950ND,ABS,2.0,228. | SNA | 1 |
| 22-2 | JC93-00403A | 4 | | JC66-03045A | SHAFT-REGI_IDLE; ML-2955ND,SUM22,226,5 | SNA | 1 |
| 22-3 | JC93-00403A | 4 | | JC66-03003A | ROLLER-REGI_IDLE; ML-2950ND,POM SW-01,8,1 | SNA | 4 |
| 23 | JC93-00414A | 3 | | JC90-01108A | MP; ML-2955ND,SEE | SA | 1 |
| 24 | JC90-01108A | 4 | | JC90-01111A | MP-GUIDE_LOWER; ML-2955ND,SEE | SA | 1 |
| 24-1 | JC90-01111A | 5 | | JC61-04416A | ADJUST-MANUAL_L; ML-2950ND,ABS,2.0,128.5, | SA | 1 |
| 24-2 | JC90-01111A | 5 | | JC61-04417A | ADJUST-MANUAL_R; ML-2950ND,ABS,2.0,128.5, | SA | 1 |
| 24-3 | JC90-01111A | 5 | | JC61-04392A | GUIDE-LOWER_MP_1; ML-2950ND,HIPS,2.0,41.5 | SNA | 1 |
| 24-4 | JC90-01111A | 5 | | JC66-03004A | GEAR-PINION; ML-2950ND,POM,0.5,32,3.9,WHI | SNA | 1 |
| 25 | JC90-01108A | 4 | | JC90-01110A | MP-HOLDER_IDLE; ML-2955ND,SEE | SNA | 1 |

| No. | Parent | Lvl. | Loc. | Material Code | Description & Specification | SNA | Qty. |
|------|-------------|------|------|---------------|--|-----|------|
| 25-1 | JC90-01110A | 5 | | JC63-03125A | COVER-ROLLER; ML-2950ND,PC+ABS,2.0,238.7, | SNA | 1 |
| 25-2 | JC90-01110A | 5 | | 6043-001409 | PIN-ETC; 2.6,85.4,SUM22 | SNA | 1 |
| 25-3 | JC90-01110A | 5 | | JC66-02798A | ROLLER-IDLE; ML-3710ND,POM,14,WHITE,GUIDE | SA | 1 |
| 25-4 | JC90-01110A | 5 | | 6107-002937 | SPRING-CS; SUS304,0.55,4.95,18.0,4.4,5.5, | SA | 2 |

4.5.1. FRAME BASE-PICKUP

Exploded View

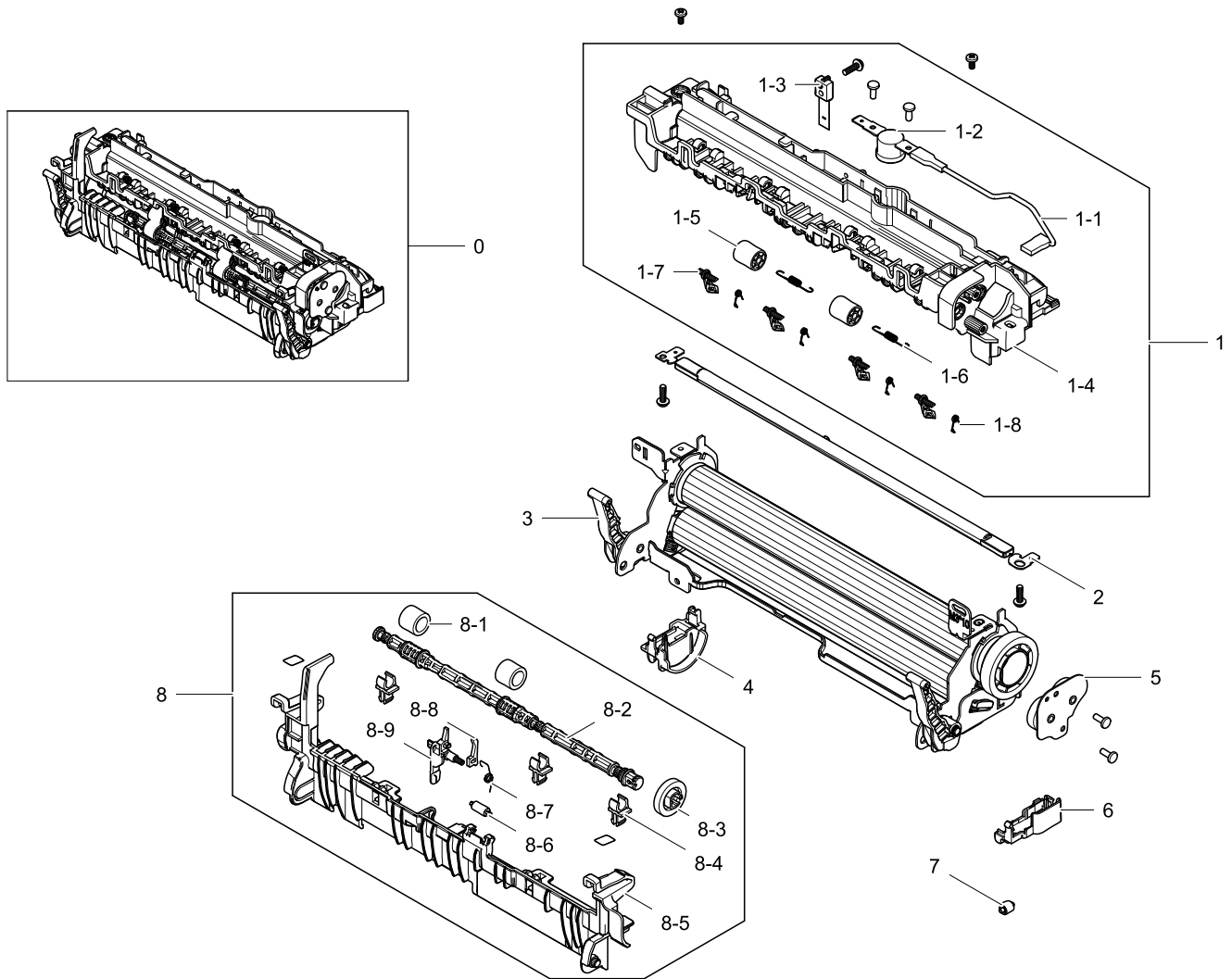


Parts List

| No. | Parent | Lvl. | Loc. | Material Code | Description & Specification | SNA | Qty. |
|------|-------------|------|-------|---------------|--|-----|------|
| 1 | JC93-00404A | 4 | | JC63-02956A | SHEET-DUPLEX PATH; ML-3710,PET+TAPE NITTO | SA | 1 |
| 2 | JC93-00404A | 4 | | JC61-04394A | GUIDE-FRAME_DUPLEX; ML-2950ND,HIPS,2.5,54 | SA | 1 |
| 3 | JC93-00404A | 4 | E9322 | 0604-001393 | PHOTO-INTERRUPTER; TR,75mW,BGA,TR | SA | 1 |
| 4 | JC93-00404A | 4 | | 6107-002934 | SPRING-CS; SUS304,0.45,5.05,19.5,4.6,5.5, | SA | 2 |
| 5 | JC93-00404A | 4 | | JC66-02997A | ACTUATOR-EMPTY; ML-2950ND,POM,F20-02,Blac | SA | 1 |
| 6 | JC93-00404A | 4 | | JC66-03033A | LEVER-GUIDE_DUPLEX; ML-2950ND,ABS,28,48.1 | SA | 2 |
| 7 | JC93-00404A | 4 | | JC66-03006A | SHAFT-PICKUP; ML-2950ND,PC,146.6,6,BLACK, | SA | 1 |
| 8 | JC93-00404A | 4 | | JC61-04400A | GUIDE-PICKUP; ML-2950ND,HIPS,2.0,46.8,228 | SA | 1 |
| 9 | JC93-00404A | 4 | | JC66-03096A | ROLLER-FEED; ML-2950ND,SUM22,6,GRAY | SA | 1 |
| 10 | JC93-00404A | 4 | H1185 | JC61-02372A | BUSH-D6/L4; POM,CLP-310,ID4,OD8,L4,WHITE, | SA | 3 |
| 11 | JC93-00404A | 4 | | JC93-00405A | FRAME-PICKUP ONEWAY; ML-2955ND,SEE | SA | 1 |
| 11-1 | JC93-00405A | 5 | | JC61-04404A | HOLDER-PICKUP; ML-2950ND,ABS+PC,2.0,59.1, | SNA | 1 |
| 11-2 | JC93-00405A | 5 | C3485 | JC66-01918A | GEAR-IDLE PICK UP; CLX-3170FN,POM,0.5,20, | SNA | 1 |
| 11-3 | JC93-00405A | 5 | | JC66-03047A | CLUTCH-P-ONEWAY; ML-2955ND,POM | SNA | 2 |
| 11-4 | JC93-00405A | 5 | | JC66-02939B | ROLLER-MAT_RETARD; ML-2955ND,EPDM,OD 16,2 | SA | 2 |
| 12 | JC93-00404A | 4 | L8199 | 6031-001255 | WASHER-PLAIN; NYLON,CUTTING,ID5,OD9,T0.5, | SNA | 3 |

5. FUSER

Exploded View



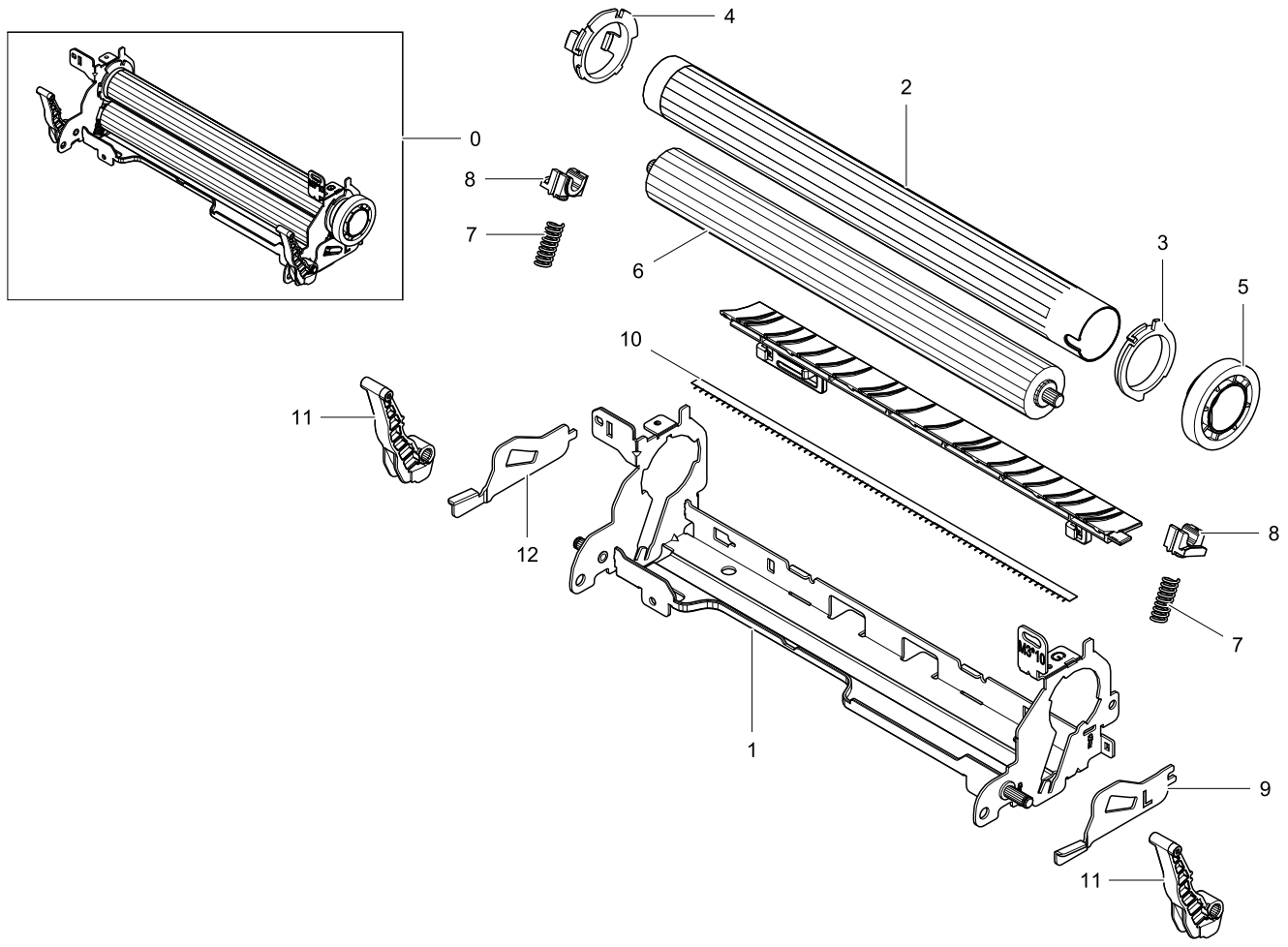
Parts List

| No. | Parent | Lvl. | Loc. | Material Code | Description & Specification | SNA | Qty. |
|-----|---------------|------|-------|---------------|--|-----|------|
| 0 | ML-2955DW/SEE | 1 | | JC91-01034B | FUSER; ML-2950ND,SEC,WORLD,220V | SA | 1 |
| 1 | JC91-01034B | 2 | | JC91-01035A | FUSER-UPPER; ML-2950ND,SEC,WORLD | SNA | 1 |
| 1-1 | JC91-01035A | 3 | | JC39-01487A | HARNESS-FUSER JOINT; ML-3710,1 pin,90mm,W | SA | 1 |
| 1-2 | JC91-01035A | 3 | SNA | 4712-001091 | THERMOSTAT; AC125/250V,195+- | SNA | 1 |
| 1-3 | JC91-01035A | 3 | L7831 | 1404-001447 | THERMISTOR-NTC ASSY; 7Kohm,3370K,0.3mW/C, | SC | 1 |
| 1-4 | JC91-01035A | 3 | | JC63-03132A | COVER-FUSER; ML-2950ND,PET+GF30,290.98,BL | SNA | 1 |
| 1-5 | JC91-01035A | 3 | F4747 | JC72-40361A | PMO-ROLLER_EXIT; SCF(XR),POM,NATURAL,M90- | SA | 2 |

| No. | Parent | Lvl. | Loc. | Material Code | Description & Specification | SNA | Qty. |
|-----|-------------|------|-------|---------------|--|-----|------|
| 1-6 | JC91-01035A | 3 | G1330 | JC61-70976A | SPRING ETC-FUSER EXIT; ML-7000,SUS304-WPB | SA | 2 |
| 1-7 | JC91-01035A | 3 | I6177 | JC61-02154A | GUIDE-CLAW; ML-3471ND,PPS+GF40,13.20,16.5 | SNA | 4 |
| 1-8 | JC91-01035A | 3 | | 6107-002817 | SPRING-ETC; SUS304,0.35,0.29,3.2,3.78 | SA | 4 |
| 2 | JC91-01034B | 2 | | 4713-001565 | LAMP-HALOGEN; 230V,850W | SA | 1 |
| 3 | JC91-01034B | 2 | | JC91-01036A | FUSER-LOWER; ML-2950ND,SEC,WORLD | SNA | 1 |
| 4 | JC91-01034B | 2 | | JC67-00533A | CAP-LAMP_R; ML-2950ND,PET+GF,2T,BLACK | SNA | 1 |
| 5 | JC91-01034B | 2 | | JC91-01038A | FUSER-DRIVE EXIT; ML-2950ND,SEC,WORLD | SA | 1 |
| 6 | JC91-01034B | 2 | | JC67-00532A | CAP-LAMP_L; ML-2950ND,PET+GF,2T,BLACK | SNA | 1 |
| 7 | JC91-01034B | 2 | L9442 | JC61-03968A | STOPPER-GEAR_FUSER; ML-1660,PA66,NATURAL | SNA | 1 |
| 8 | JC91-01034B | 2 | | JC91-01037B | FUSER-REAR; ML-2950ND,SEC,WORLD,220V | SA | 1 |
| 8-1 | JC91-01037B | 3 | | JC66-02955A | ROLLER-SILICON_EXIT; ML-3700,SILICON,13.4 | SA | 2 |
| 8-2 | JC91-01037B | 3 | | JC66-02990A | SHAFT-EXIT_F/UP; ML-2950ND,PBT+GF,204.2,1 | SNA | 1 |
| 8-3 | JC91-01037B | 3 | | JC66-02777A | GEAR-EXIT_Z19; ML-3700ND,POM,1,19,NTR,21. | SNA | 1 |
| 8-4 | JC91-01037B | 3 | H1255 | JC61-02158A | BUSH-TX; ML-3471ND/SEE,POM(M90-44),2.5,16 | SNA | 3 |
| 8-5 | JC91-01037B | 3 | | JC61-04363A | GUIDE-REAR; ML-2950ND,PC,2.0T,237.31,BLAC | SNA | 1 |
| 8-6 | JC91-01037B | 3 | L4458 | JC66-01661A | ROLLER-IDLE_EXIT; ML-2851ND,POM,5,15.2,WH | SNA | 1 |
| 8-7 | JC91-01037B | 3 | | 6107-002670 | SPRING-ETC; SUS304,PI0.2,ID4.5,OD4.9,8.1, | SNA | 1 |
| 8-8 | JC91-01037B | 3 | | JC61-04133A | HOLDER-ACTUATOR; ML-3700,TEFLON,2.0,17.4 | SNA | 1 |
| 8-9 | JC91-01037B | 3 | | JC66-02991A | ACTUATOR-EXIT; ML-2950ND,PET+GF30%,2.0T,2 | SA | 1 |

5.1. FUSER-LOWER

Exploded View



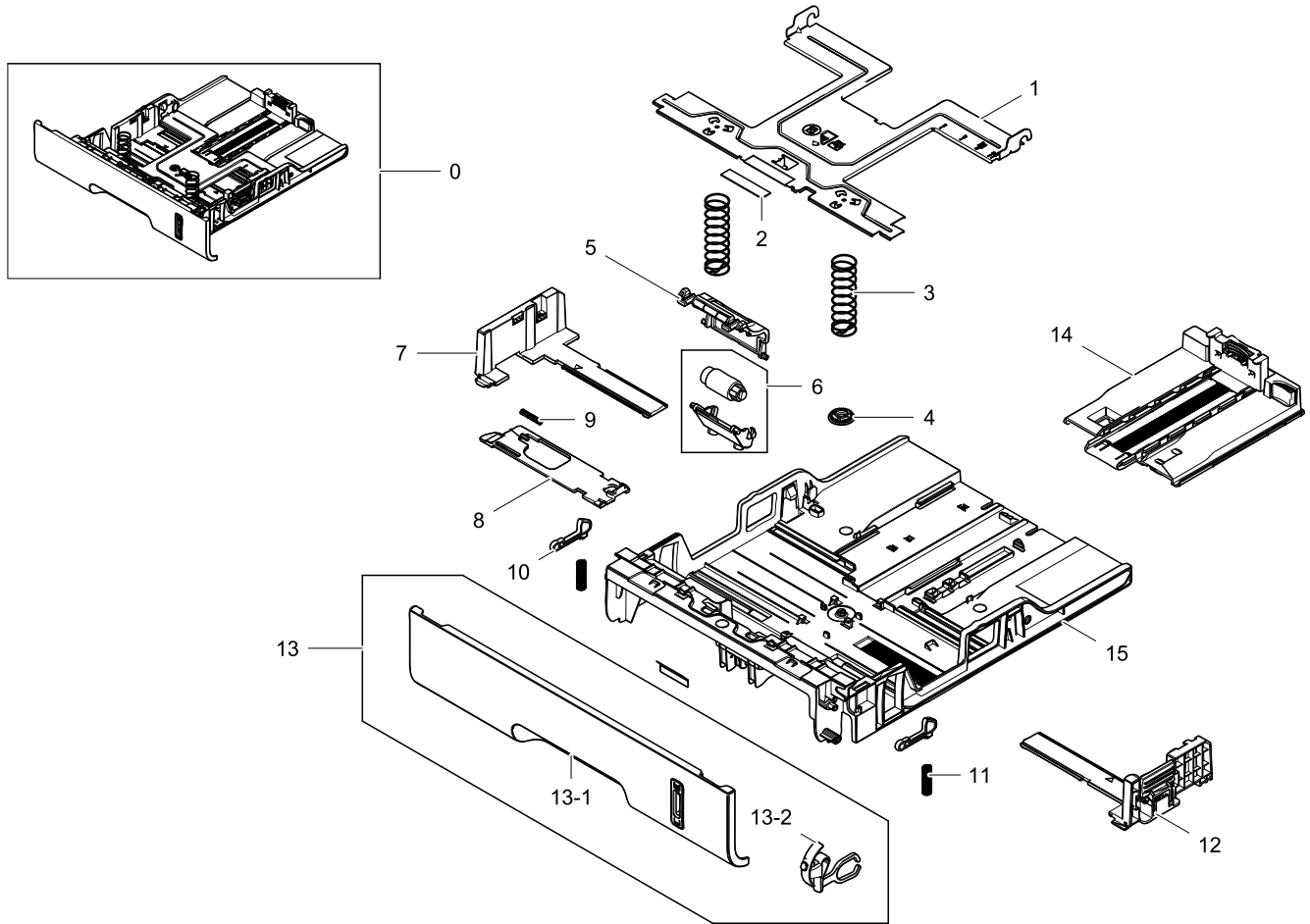
Parts List

| No. | Parent | Lvl. | Loc. | Material Code | Description & Specification | SNA | Qty. |
|-----|-------------|------|-------|---------------|--|-----|------|
| 0 | JC91-01034B | 2 | | JC91-01036A | FUSER-LOWER; ML-2950ND,SEC,WORLD | SNA | 1 |
| 1 | JC91-01036A | 3 | | JC61-04367A | FRAME-FUSER; ML-2950ND,SECC,NATURAL,1.2t, | SNA | 1 |
| 2 | JC91-01036A | 3 | | JC66-02993A | ROLLER-HEAT; ML-2950ND,AL3304,24.7,T0.6,W | SA | 1 |
| 3 | JC91-01036A | 3 | H1232 | JC61-00888A | BUSH-M-HR L_R2; SCX-4920N,PPS, 25.3,29 | SA | 1 |
| 4 | JC91-01036A | 3 | H1233 | JC61-00887A | BUSH-M-HR R_R2; SCX-4920N,PPS, 25.3,29 | SA | 1 |
| 5 | JC91-01036A | 3 | | JC66-02992A | GEAR-FUSER; ML-2950ND,PPS,1,36,BROWN,38 | SA | 1 |
| 6 | JC91-01036A | 3 | P6016 | JC66-00600B | ROLLER-PRESSURE_CHINA; ML-1710/XIL,SPONGE | SA | 1 |

| No. | Parent | Lvl. | Loc. | Material Code | Description & Specification | SNA | Qty. |
|-----|-------------|------|-------|---------------|--|-----|------|
| 7 | JC91-01036A | 3 | L7239 | JC61-00056A | SPRING ETC-PR(7300); ML-7300,PIANO WIRE,1 | SA | 2 |
| 8 | JC91-01036A | 3 | | JC61-04366A | BUSH-PR; ML-2950ND,PPS,6.0,BROWN | SNA | 2 |
| 9 | JC91-01036A | 3 | | JC66-02982A | LEVER-LINK-JAM_L; ML-2950ND,SECC,1.6T,WHI | SNA | 1 |
| 10 | JC91-01036A | 3 | | JC67-00541A | BRUSH-ANTISTATIC; ML-2950ND,SUS FIBER,13, | SNA | 1 |
| 11 | JC91-01036A | 3 | | JC61-04364A | HOLDER-JAM; ML-2950ND,PC,BLACK | SA | 2 |
| 12 | JC91-01036A | 3 | | JC66-02983A | LEVER-LINK-JAM_R; ML-2950ND,SECC,1.6T,WHI | SNA | 1 |

6. CASSETTE

Exploded View



Parts List

| No. | Parent | Lvl. | Loc. | Material Code | Description & Specification | SNA | Qty. |
|-----|---------------|------|-------|---------------|--|-----|------|
| 0 | ML-2955DW/SEE | 1 | | JC90-01103A | CASSETTE; ML-2955ND,SEE | SA | 1 |
| 1 | JC90-01102A | 3 | | JC61-04379A | PLATE-KNOCK_UP; SECC,0.8,257.8,169 | SA | 1 |
| 2 | JC90-01102A | 3 | F9051 | JC73-00141A | RPR-PAD CASSETTE; ML-1510,URETHANE SPONGE | SA | 1 |
| 3 | JC90-01102A | 3 | | 6107-002935 | SPRING-CS; SUS304,0.8,18.2,64.0,17.4,19.0 | SA | 2 |
| 4 | JC90-01102A | 3 | | JC66-03004A | GEAR-PINION; ML-2950ND,POM,0.5,32,3.9,WHI | SNA | 1 |
| 5 | JC90-01102A | 3 | | JC63-03124A | COVER-CASSETTE; ML-2950ND,ABS,1.5,69.7,43 | SA | 1 |
| 6 | JC90-01102A | 3 | | JC90-01107A | CASSETTE-RETARD; ML-2955ND,SEE | SA | 1 |
| 7 | JC90-01102A | 3 | | JC61-04397A | GUIDE-ADJUST_L; ML-2950ND,ABS,2.0,135.52, | SA | 1 |

| No. | Parent | Lvl. | Loc. | Material Code | Description & Specification | SNA | Qty. |
|------|-------------|------|-------|---------------|--|-----|------|
| 8 | JC90-01102A | 3 | | JC64-00657A | LOCKER-PLATE; ML-2950ND,POM,WHITE,KEPITAL | SA | 1 |
| 9 | JC90-01102A | 3 | G1358 | JG61-70531A | SPRING ETC-LOCKER,PLATE; SF6000,SUS304WPB | SA | 1 |
| 10 | JC90-01102A | 3 | | JC64-00610A | LOCKER-CASSETTE; ML-3710,POM,NTR,41.5, 15 | SNA | 2 |
| 11 | JC90-01102A | 3 | L7422 | 6107-001287 | SPRING-CS; SUS304-WPB,PI0.6,D6.5,L25,ID5. | SA | 2 |
| 12 | JC90-01102A | 3 | | JC90-01106A | CASSETTE-GUIDE RIGHT; ML-2955ND,SEE | SA | 1 |
| 13 | JC90-01103A | 2 | | JC90-01104A | CASSETTE-COVER HANDLE; ML-2955ND,SEE | SA | 1 |
| 13-1 | JC90-01104A | 3 | | JC64-00655A | HANDLE-CASSETTE; ML-2950ND,HIPS,2.0,26.5, | SNA | 1 |
| 13-2 | JC90-01104A | 3 | | JC64-00656A | INDICATOR-PAPER; ML-2950ND,HIPS,SOLIDE GR | SNA | 1 |
| 14 | JC90-01102A | 3 | | JC90-01105A | CASSETTE-GUIDE REAR; ML-2955ND,SEE | SA | 1 |
| 15 | JC90-01102A | 3 | | JC61-04380A | FRAME-CASSETTE; ML-2950ND,HIPS,2.0,258.8, | SA | 1 |