

8. Exploded Views and Parts List

8.1 Main Assembly	page(8-2)
8.2 Base-Housing Assembly	page(8-6)
8.3 Frame Assembly (0~32)	page(8-7)
Frame Assembly (33~67)	page(8-8)
8.4 Fuser Assembly	page(8-13)
8.5 Main Driver Assembly	page(8-16)
8.6 Exit Driver Assembly	page(8-17)
8.7 Regi Assembly	page(8-18)
8.8 SMPS Assembly	page(8-19)
8.9 Cassette Assembly	page(8-21)
8.10 SCF Assembly	page(8-23)

- Deal drawings and service parts are declared for the items with higher rate of inferiority and replaceable in the level of service description only.
- If inferiority occurs, you can replace the parts by the unit declared in deal drawings and service items.

Way to observe Part Code & Description

Part code and Description is quoted and controlled by determined standard. Refer to this determined standard, it will help with ordering Part.

- There are two kinds of Part code inscription type.

●●●●●-●●●●●●●●	ex) 2007-007961	R-CHIP
■●●●●-●●●●●■	ex) JB96-01268A	ELA UNIT-COVER TOP

It shows part specific

(● : figure, ■ : character (alphabet))

Type 1 : Controlled by Company : It can be commonly used for all kinds of product SEC produce. Mostly, electronics Parts.

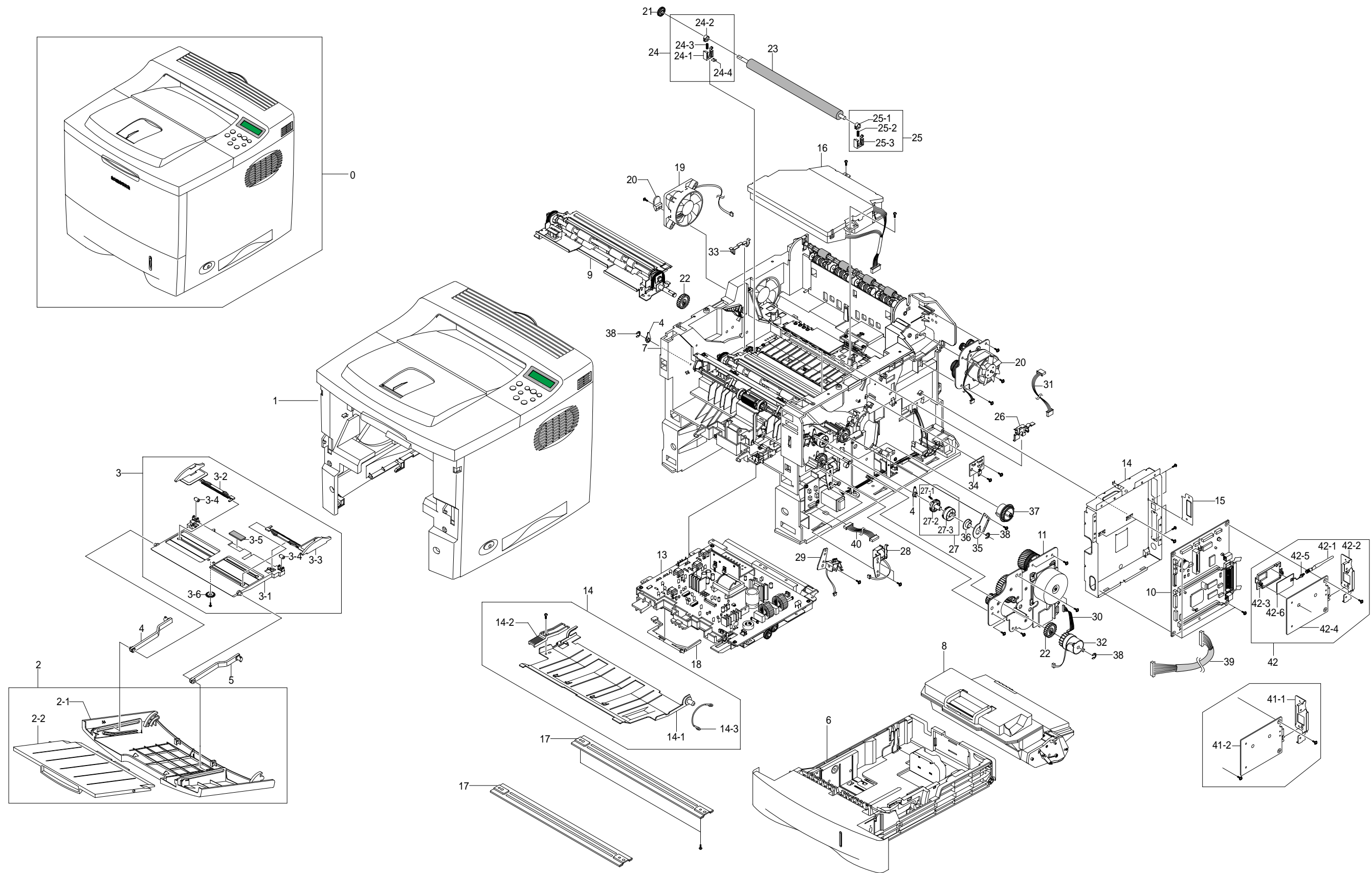
Type 2 : Controlled by Division : It is used or one produce. Mostly, Mostly, mechanical Parts.

- **A/S privately used part** : It is only used for A/S .
- **Ass'y part** : Assembled by more than 2 Parts. If necessary part is not A/S Part, Ass'y part including necessary par can be used. It is shown in the diagram and drawing of SVC manual.

• Ass'y part and A/S privately used Part is distinguished by part Code and Description. The are inscription type 2. It is recognized by Part character and front side of description.

DIVISION	PART CODE	DESCRIPTION
A/S Private	**81-***** (JB81-00039A)	AS-***** (AS-USE)
ASS'Y Part	**75-***** (JB75-00068A)	MEC-***** (MEC-CHUTE)
ASS'Y Part	**92-***** (JB92-01131A)	PBA ***** (PBA MAIN-CONTROLLER)
ASS'Y Part	**97-***** (JB97-01089A)	MEA ***** (MEA UNIT-PULLEY IDLE)

8.1 Main Assembly



Main Assembly Parts List

SA : Service Available
 O : Service available X : Service not available

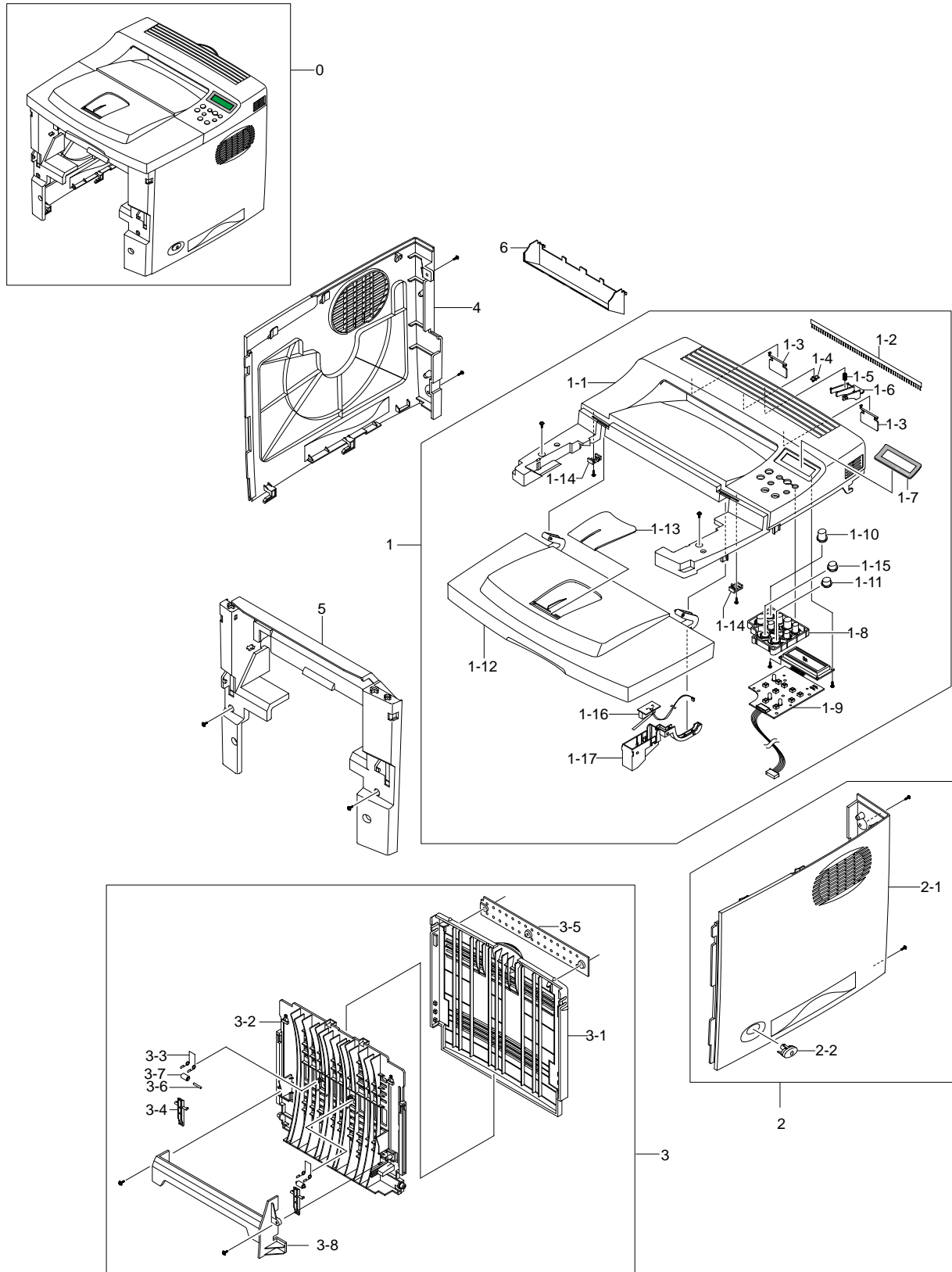
No.	Description	SEC.Code	Q'ty	SA	Remark
1	ELA HOU BASE-HOUSHING	*	1	X	ML-2150
	ELA HOU BASE-HOUSHING	*	1	X	ML-2151N
	ELA HOU BASE-HOUSHING	*	1	X	ML-2152W
2	ELA UNIT-COVER MP	JC96-02679A	1	O	
2-1	COVER-M-MP	*	1	X	
2-2	TRAY-M-EXTEND MP	*	1	X	
3	ELA UNIT-KNOCK UP MP	JC96-02680A	1	O	
3-1	PLATE-M-KNOCK UP MP	*	1	X	
3-2	PMO-SIDE GUIDE MP(L)	*	1	X	
3-3	PMO-SIDE GUIDE MP(R)	*	1	X	
3-4	PMO-IDLE KNOCK UP MP	*	2	X	
3-5	MPR-PAD KNOCK UP MP	*	1	X	
3-6	GEAR-PINION	*	1	X	
3-7	SCREW-TAPTITE	*	1	X	
4	TRAY-M-LINK MP(L)	JC63-00129A	1	O	
5	TRAY-M-LINK MP(R)	JC63-00130A	1	O	
6	ELA UNIT-CASSETTE(550)	JC96-02687A	1	O	
7	ELA UNIT-FRAME BASE	JC96-02627A	1	O	220V
8	ELA UNIT-DEVE	*	1	X	
9	ELA UNIT-REGI	JC96-02626A	1	O	
10	PBA MAIN-CONTROLLER	JC92-01423A	1	O	
11	ELA UNIT-MOTOR MAIN CARDINAL	JC96-02725A	1	O	
12	ELA UNIT-MOTOR EXIT CARDINAL	JC96-02726A	1	O	
13	ELA HOU-SMPS_HVPS_V2(220V)	*	1	X	220V
14	MEA UNIT-GUIDE FRONT, DUP	JC97-01715A	1	O	
14-1	GUIDE-P-FRONT, DUP	*	1	X	
14-2	LEVER-M-OPEN, DUP	*	1	X	
14-3	CBF HARNESS-EARTH (TX MOTOR)	*	1	X	
15	BRACKET-P_DUMMY CTRL	JC61-00679A	1	O	ML-2150 Only
16	UNIT-LSU_CARDINAL	JC59-00019A	1	O	
17	BAR-P_CROSS BOTTOM	JC71-00042A	2	O	
18	PMO-ACTUATOR EMPTY	JC72-00991A	1	O	
19	FAN-DC	JC31-00029A	1	O	
20	STOPPER-M-FAN80	JC61-00667A	1	O	
21	GEAR-TR29	JC66-00039A	1	O	
22	GEAR-REGI Z25	JC66-00420A	2	O	
23	ROLLER-TRANSFER	JC66-00540A	1	O	
24	ELA UNIT-HOLDER TR R	JC96-01729A	1	O	
24-1	PMO-TRANSFER HOLDER R	*	1	X	
24-2	PMO-BUSHING TR	*	1	X	
24-3	SPRING ETC-TR R HAWK	*	1	X	
24-4	IPR-PLATE TR	*	1	X	
25	ELA UNIT-HOLDER TR L	JC96-01730A	1	O	
25-1	PMO-BUSHING TR	*	1	X	

Main Assembly Parts List

SA : Service Available
 O : Service available X : Service not available

No.	Description	SEC.Code	Q'ty	SA	Remark
25-2	SPRING ETC-TR L HAWK	*	1	X	
25-3	PMO-TRANSFER HOLDER L	*	1	X	
26	CAP-M-GEAR	JC67-00039A	1	O	
27	MEA UNIT-GEAR P/UP MP CARDINAL	JC97-01738A	1	O	
27-1	SPRING ETC—CAM MP	*	1	X	
27-2	GEAR-MP PICK_UP	*	1	X	
27-3	GEAR-MP HOLDER_CAM	*	1	X	
28	SOLENOID-MAIN	JC33-00012A	1	O	
29	SOLENOID-MP	JC33-00013A	1	O	
30	CBF HARNESS-MAIN MOTOR	JC39-00257A	1	O	
31	CBF HARNESS-MOTOR	*	1	X	
32	MEP-CLUTCH FEED CARDINAL	JC47-00009A	1	O	
33	PMO-CAP TR	JC72-41292A	1	O	
34	PBA SUB-COVER JOINT	JC92-01510A	1	O	
35	BRACKET-P-SHAFT MP	JC61-00755A	1	O	
36	BEARING-PICK UP	JC66-10202A	1	O	
37	GEAR-PICK_UP CAM	JC66-00533A	1	O	
38	RING-E	6044-000125	3	O	
39	CBF HARNESS-SMPS	JC39-00253A	1	O	
40	CBF HARNESS-MPF JOINT	JC39-00205A	1	O	
41	ELA HOU-NPC3_PRT	*	1	X	ML-2151N Only
41-1	BRACKET-P_NETWORK	*	1	X	
41-2	PBA SUB-NPC3_PRT	*	1	X	
42	ELA HOU-WLAN NPC FOR_EU	*	1	X	ML-2152W Only
42-1	ANTENNA-WLAN	*	1	X	
42-2	BRACKET-P_NETWORK WIRELESS	*	1	X	
42-3	COVER-M-NON WIRE NET	*	1	X	
42-4	PBA SUB-NPC3_PRT WLAN	*	1	X	
42-5	CBF COAXIAL CABLE-WLAN	*	1	X	
42-6	ELA MODUL-WLAN FOR_EU	*	1	X	
S	SCREW-TAPTITE	*	1	X	
S	SCREW-TAPTITE	*	1	X	

8.2 Base-Housing Assembly

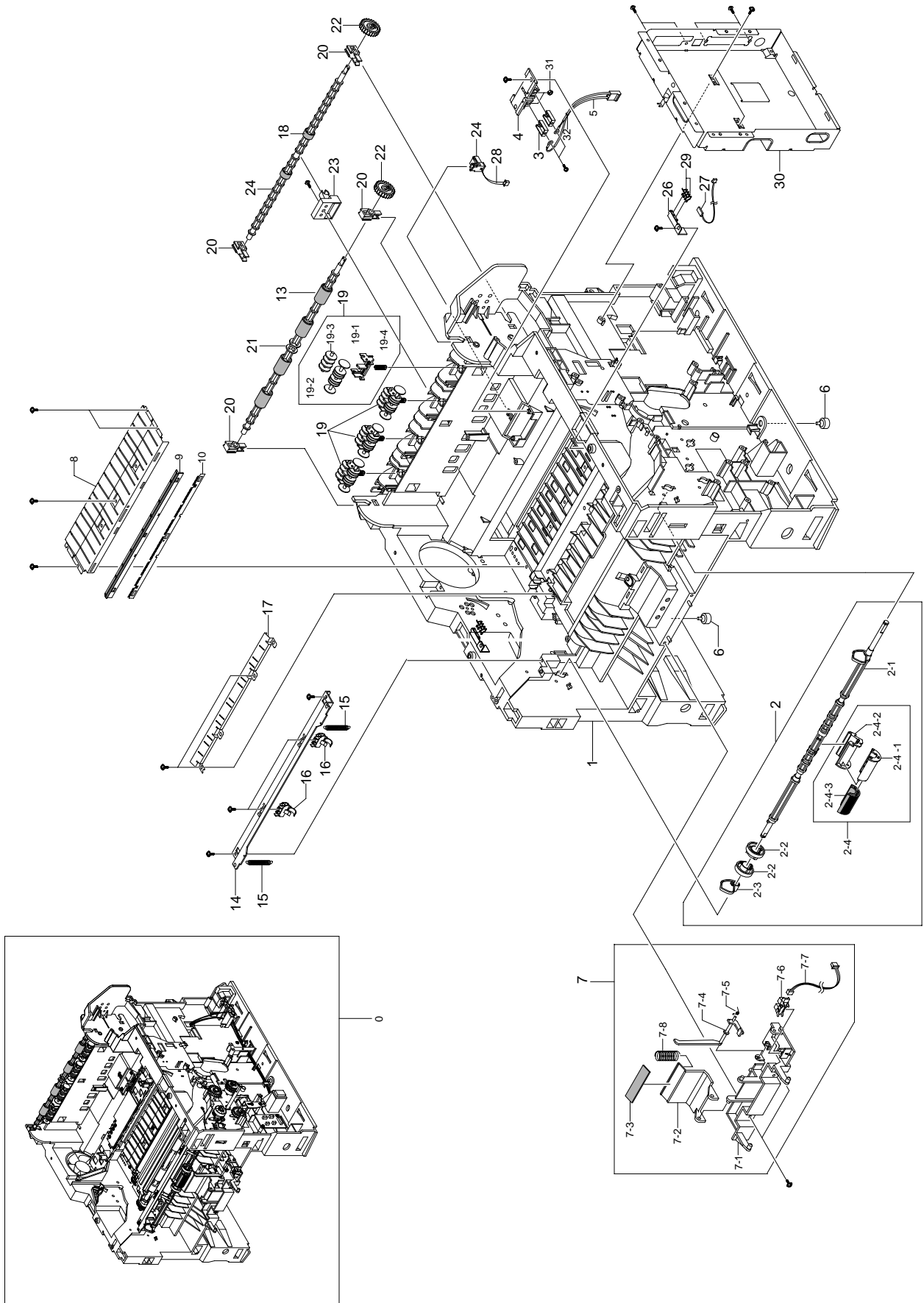


Base-Housing Assembly Parts List

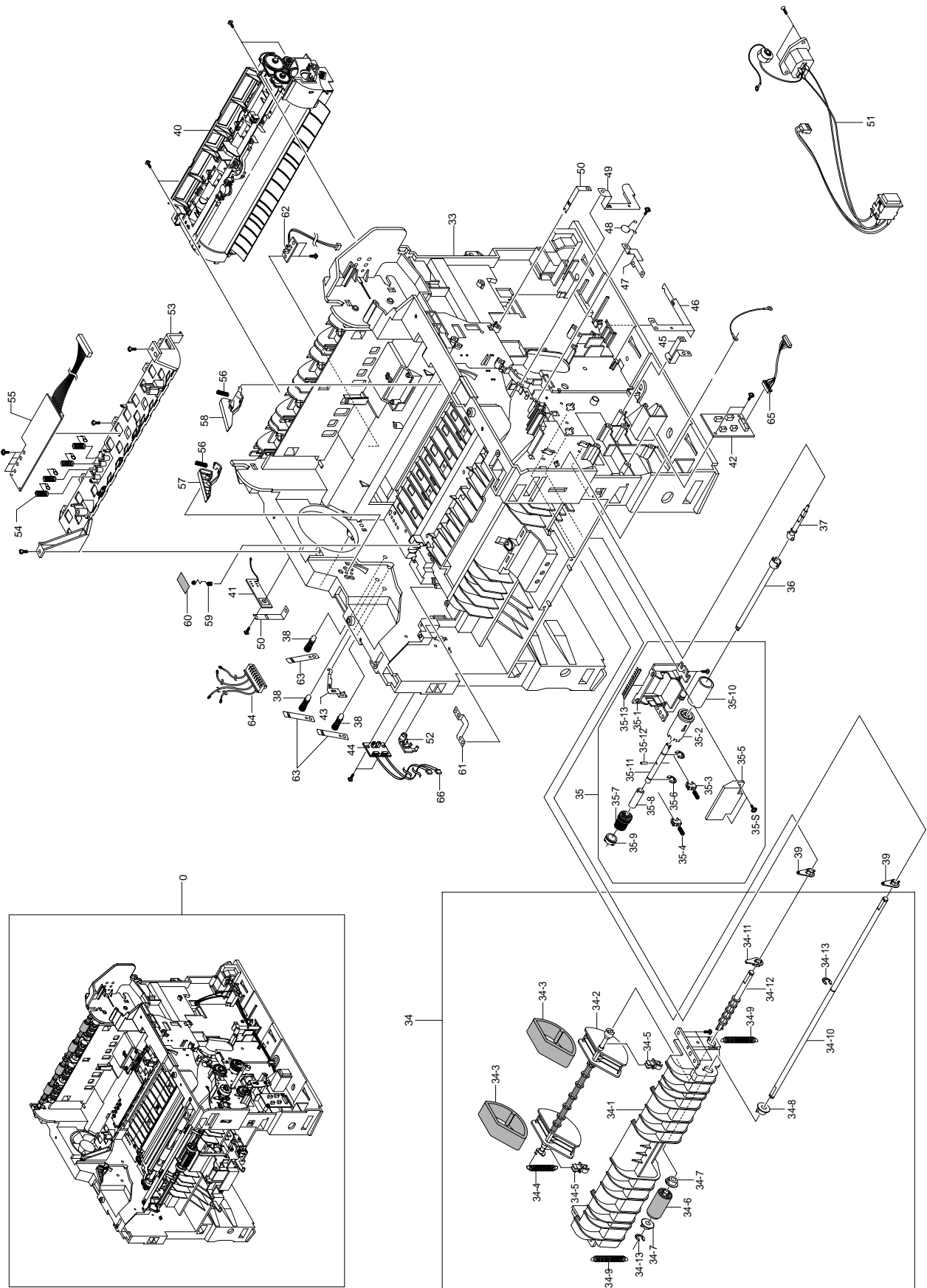
SA : Service Available
 O : Service available X : Service not available

No.	Description	SEC.Code	Q'ty	SA	Remark
0	ELA HOU BASE-HOUSHING	*	1	X	ML-2150
	ELA HOU BASE-HOUSHING	*	1	X	ML-2151N
	ELA HOU BASE-HOUSHING	*	1	X	ML-2152W
1	ELA UNIT-COVER TOP	JC96-02696A	1	O	ML-2150
	ELA UNIT-COVER TOP	JC96-02696B	1	O	ML-2151N
	ELA UNIT-COVER TOP	JC96-02696C	1	O	ML-2152W
1-1	COVER-M-TOP	JC63-00119A	1	O	ML-2150
	COVER-M-TOP	JC63-00119B	1	O	ML-2151N
	COVER-M-TOP	JC63-00119C	1	O	ML-2152W
1-2	MEC-BRUSH ANTISTATIC	JC75-00095A	1	O	
1-3	PMO-LEVER STACKING	JC72-41188G	2	O	
1-4	BUSH-M-RETAINER	*	1	X	
1-5	SPRING ETC-DUPLEX COVER	*	1	X	
1-6	PMO-STACKER LOCKER	JC72-00995A	1	O	
1-7	WINDOW-M-LCD	*	1	X	
1-8	KEY-M-BUTTON	*	1	X	
1-9	PBA MAIN-LCD PANEL	*	1	X	
1-10	KEY-M-DUPLEX	*	1	X	
1-11	KEY-M-ON LINE	*	1	X	
1-12	COVER-M-OPEN	JC63-00116A	1	O	
1-13	PMO-STACKER_RX	JC72-00973B	1	O	
1-14	STOPPER-M-HINGE OPEN	*	2	X	
1-15	KEY-M-SAVE MODE	*	1	X	
1-16	PBA SUB-COVER OPEN	JC92-01514A	1	O	
1-17	CAP-M-SENSOR	*	1	X	
2	ELA UNIT-COVER RIGHT	JC96-02697A	1	O	
2-1	COVER-M-RIGHT	*	1	X	
2-2	BUTTON-M-POWER	*	1	X	
3	MEA UNIT-COVER REAR	JC97-01743A	1	O	
3-1	COVER-M-REAR	*	1	X	
3-2	PMO-STACKER REAR	JC72-00996A	1	O	
3-3	SPRING-TS	*	2	X	
3-4	GUIDE-M-DUPLEX	*	2	X	
3-5	ICT-BRKT REAR COVER	*	1	X	
3-6	IEX-SHAFT IDLE,F/UP	*	2	X	
3-7	PMO-ROLLER_IDLE EXIT	*	2	X	
3-8	PMO-DUMMY FRAME FUSER	JC72-00999A	1	O	
4	COVER-M-LEFT	JC63-00117A	1	O	
5	COVER-M-FRONT INNER	JC63-00118A	1	O	
6	COVER-M-FRAME EXIT	JC63-00122A	1	O	
S	SCREW-TAPTITE	*	9	X	
S	SCREW-TAPTITE	*	5	X	

8.3 Frame Assembly (Item No. 0~32)



Frame Assembly(Item No. 33~67)



Frame Assembly Parts List

SA : Service Available
 O : Service available X : Service not available

No.	Description	SEC.Code	Q'ty	SA	Remark
0	ELA UNIT-FRAME BASE	JC96-02627A	1	O	220V
1	FRAME-M-BASE	JC61-00677A	1	O	
2	ELA UNIT-PICKUP MP	JC96-02681A	1	O	
2-1	SHAFT-M-PICK UP MP	*	1	X	
2-2	PMO-IDLE PICK UP MP	*	2	X	
2-3	CAM-M-PICK UP MP	*	1	X	
2-4	ELA UNIT-ROLLER P/UP MP	*	1	X	
2-4-1	HOLDER-M-PICKUP MP	*	1	X	
2-4-2	HOUSING-M-PICK UP MP	*	1	X	
2-4-3	RUBBER-PICK UP MP	*	1	X	
3	IPR-TERMINAL FU	JC70-10961A	2	O	
4	PMO-HOUSING TERMINAL	JC72-41010A	1	O	
5	CBF HARNESS-FUSER 220V	JC39-00279A	1	O	
6	FOOT-ML80	JC61-40001A	2	O	
7	AS-HOLDER PAD	*	1	X	
7-1	FRAME-M-HOLDER PAD	*	1	X	
7-2	HOLDER-M-PAD	*	1	X	
7-3	RPR-FRICTION PAD MP	*	1	X	
7-4	PMO-ACTUATOR MP	*	1	X	
7-5	SPRING ETC-EMPTY	*	1	X	
7-6	PHOTO-INTERRUPTER	*	1	X	
7-7	CBF HARNESS-MP EMPTY	*	1	X	
7-8	SPRING ETC-PAD	*	1	X	
8	GUIDE-P_TRANSFER	*	1	X	
9	PMO-HOLDER PLATE SAW	*	1	X	
10	IPR-PLATE SAW	*	1	X	
11	PMO-CAP CONNECTOR L	*	1	X	
12	PMO-CAP CONNECTOR U	*	1	X	
13	RUBBER-EXIT_F/DOWN	*	4	X	
14	GUIDE-P_REGI UPPER	*	1	X	
15	SPRING ETC-LEVER	*	2	X	
16	HOLDER-M-BUSHING TX	*	2	X	
17	GUIDE-PLATE PAPER	*	1	X	
18	RMO-RUBBER EXIT_DUP	*	2	X	
19	MEA RACK-EXIT ROLLER	JC97-01034A	4	O	
19-1	PMO-HOLDER EXIT ROLL	*	1	X	
19-2	PMO-ROLLER FD F	*	1	X	
19-3	PMO-ROLLER FD R	*	1	X	
19-4	SPRING ETC-EXIT ROLL FD	*	1	X	
20	MEC-BEARING,EXIT	JC75-10529A	4	O	
21	SHAFT-M-EXIT_F/DOWN	*	1	X	
22	GEAR-EXIT	*	2	X	
23	HOLDER-M-BUSHING EXIT	*	1	X	
24	SHAFT-M-EXIT_DUPLEX	*	1	X	

Frame Assembly Parts List

SA : Service Available
 O : Service available X : Service not available

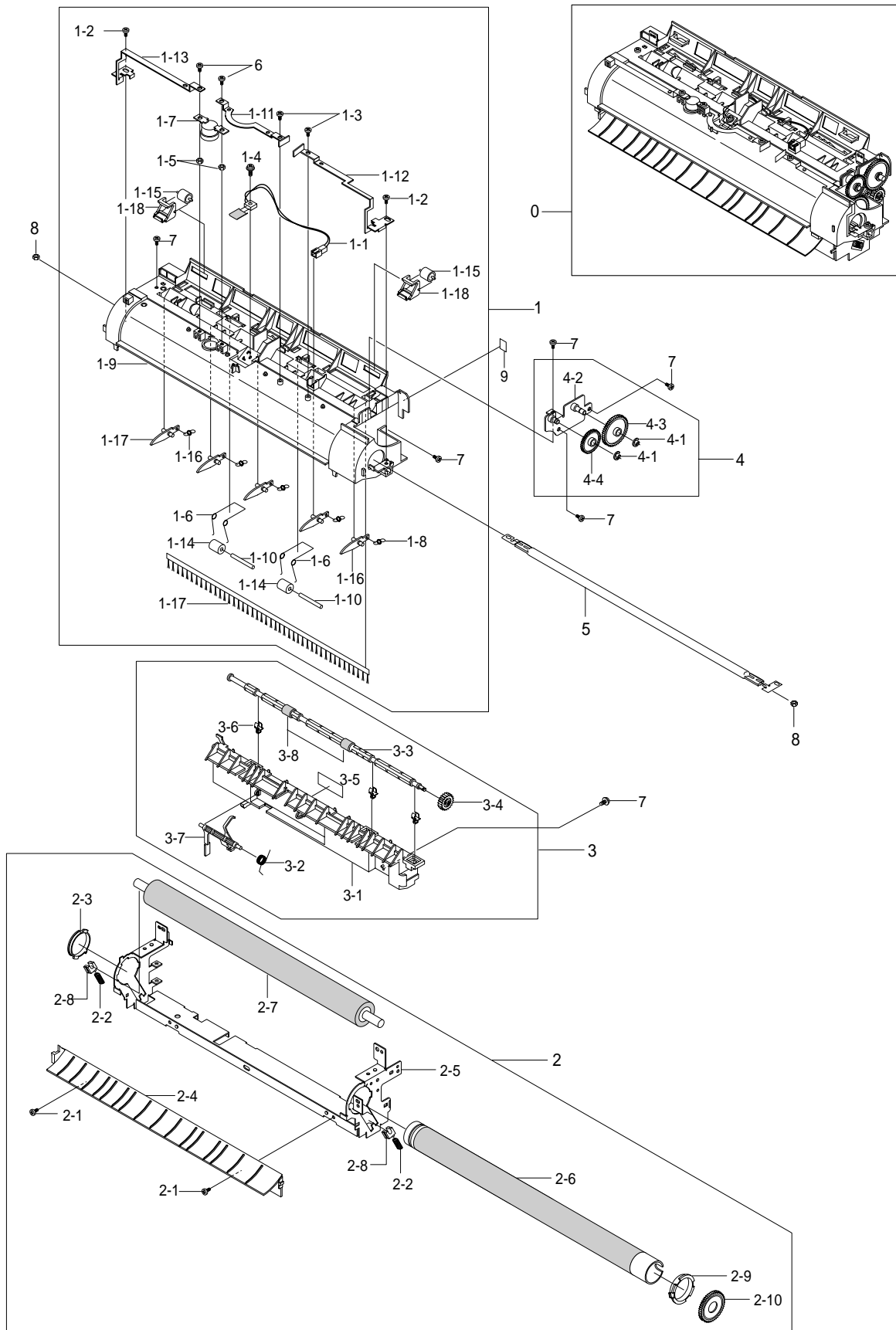
No.	Description	SEC.Code	Q'ty	SA	Remark
25	IPR-TERMINAL TR HAWK	*	1	X	
26	CAP-M-WIRE PTL LOWER	*	1	X	
27	PBA SUB-PTL2	JC92-01516A	1	O	
28	CBF HARNESS-THERMISTOR	*	1	X	
29	TERMINAL-P_PTL	*	2	X	
30	SHIELD-P_CONTROLLER	*	1	X	
31	NUT-HEXAGON	*	2	X	
32	CABLE TIE	*	1	X	
33	FRAME-M-BASE	*	1	X	
34	ELA UNIT-PICK UP	JC96-02683A	1	O	
34-1	FRAME-M-PICKUP	*	1	X	
34-2	HOUSING-M-PICKUP	*	1	X	
34-3	RUBBER-PICK UP	*	2	X	
34-4	SPRING ETC-EXTENSION	*	1	X	
34-5	PMO-BUSHING FEED	*	2	X	
34-6	HOUSING-M-FEED	*	1	X	
34-7	RUBBER-FEED	*	1	X	
34-8	BEARING-PICK UP	*	3	X	
34-9	SPRING ETC-KNOCK UP MP	*	2	X	
34-10	SHAFT-FEED	*	1	X	
34-11	PMO-BEARING SHAFT	*	1	X	
34-12	SHAFT-M-PICK UP	*	1	X	
34-13	RING-E	*	2	X	
35	ELA UNIT-RETARD	JC96-02682A	1	O	
35-1	FRAME-M-RETARD	*	1	X	
35-2	RUBBER-RETARD	*	1	X	
35-3	BUSH-M-RETARD	*	2	X	
35-4	SPRING ETC-PAD	*	2	X	
35-5	HOLDER-M-RETARD	*	1	X	
35-6	RING-E	*	2	X	
35-7	SPRING-TS	*	1	X	
35-8	PMO-HUB IN RETARD	*	1	X	
35-9	PMO-HUB OUT RETARD	*	1	X	
35-10	HOUSING-M-RETARD	*	1	X	
35-11	SHAFT-RETARD	*	1	X	
35-12	SHAFT-HUB IN	*	1	X	
35-13	MEC-BRUSH ANTISTATIC	*	0.25	X	
35-S	SCREW-TAPTITE	*	2	X	
36	SHAFT-M-COUPPLING RETARD	*	1	X	
37	SHAFT-M-GEAR RETARD	*	1	X	
38	MEA UNIT-TERMINAL:L	JC97-01401A	3	O	
39	PMO-BEARING SHAFT	*	5	X	
40	ELA UNIT-FUSER	JC81-01708A	1	O	220V

Frame Assembly Parts List

SA : Service Available
 O : Service available X : Service not available

No.	Description	SEC.Code	Q'ty	SA	Remark
41	PBA MAIN-ZENER	*	1	X	
42	PBA SUB-PANEL	JC92-01519A	1	O	
43	IPR-P_GROUND OPC	*	1	X	
44	PBA SUB-EMPTY SENSOR	JC92-01511A	1	O	
45	IPR-P_GND SOLENOID FEED	*	1	X	
46	IPR-P_GROUND SCF MAIN	*	1	X	
47	IPR-P_GROUND REGI ROLLER	*	1	X	
48	ELA HOU-VARISTOR	*	1	X	
49	IPR-P_GROUND MOTOR MAIN2	*	1	X	
50	IPR-P_GROUND GUIDE TR	*	2	X	
51	CBF HARNESS-INLET	*	1	X	
52	HINGE-M-FRONT GUIDE, DUP	*	1	X	
53	FRAME-M-LSU LOWER	*	1	X	
54	TERMINAL-P_DEVE	*	4	X	
55	PBA SUB-TONER	JC92-01509A	1	O	
56	SPRING ETC-GUIDE DEVE	*	2	X	
57	PMO-GUIDE DEVE L	*	1	X	
58	PMO-GUIDE DEVE R	*	1	X	
59	TERMINAL-P_TR CARDINAL	*	1	X	
60	SHEET-COVER TR	JC63-00132A	1	O	
61	IPR-P_GROUND PLATE PAPER	*	1	X	
62	PBA SUB-EXIT SENSOR	JC92-01512A	1	O	
63	TERMINAL-P_HV CARDINAL	*	3	X	
64	CBF HARNESS-HVPS	*	1	X	
65	CBF HARNESS-CONNECTOR	*	1	X	
66	CBF HARNESS-SENSOR	*	1	X	

8.4 Fuser Assembly



Fuser Unit Assembly Parts List

SA : Service Available
 O : Service available X : Service not available

No.	Description	SEC.Code	Q'ty	SA	Remark
0	ELA UNIT-FUSER	JC81-01708A	1	O	220V
1	ELA UNIT-UPPER FUSER	*	1	X	
1-1	THERMISTOR-NTC	1404-001305	1	O	
1-2	SCREW-MACHINE	*	2	X	
1-3	SCREW-TAPTITE	*	2	X	
1-4	SCREW-TAPTITE	*	1	X	
1-5	NUT-HEXAGON	*	2	X	
1-6	SPRING-TS	*	2	X	
1-7	THERMOSTAT-150	JC47-00005A	1	O	
1-8	SPRING ETC-SAPERATION	*	5	X	
1-9	COVER-M-FUSER	*	1	X	
1-10	IEX-SHAFT IDLE,F/UP	*	2	X	
1-11	ELECTRODE-P-FU_M	*	1	X	
1-12	ELECTRODE-P-FU_R	*	1	X	
1-13	ELECTRODE-P_FU_L	*	1	X	
1-14	PEX-ROLLER F/UP(2)	*	2	X	
1-15	PMO-ROLLER UPPER DP	*	2	X	
1-16	PMO-GUIDE CLAW	*	5	X	
1-17	MEC-BRUSH ANTISTATIC	*	1	X	
1-18	HOLDER-IDLE ROLLER	*	2	X	
2	MEA UNIT-LOWER FUSER	*	1	X	
2-1	SCREW-TAPTITE	*	2	X	
2-2	SPRING ETC-PR(7300)	*	2	X	
2-3	BUSH-M-HR_R	*	1	X	
2-4	GUIDE-M-FRONT	*	1	X	
2-5	FRAME-P-FUSER	*	1	X	
2-6	ROLLER-HEAT	JC66-00597A	1	O	
2-7	ROLLER-PRESSURE	JC66-00599A	1	O	
2-8	BEARING-PRESSURE/R	*	2	X	
2-9	BEARING-H/R L	*	1	X	
2-10	GEAR-FUSER 7300	JC66-40913B	1	O	
3	MEA UNIT-GUIDE REAR	*	1	X	
3-1	GUIDE-M-REAR	*	1	X	
3-2	SPRING ETC-ACTUATOR	*	1	X	
3-3	SHAFT-M-EXIT_F/UP	*	1	X	
3-4	GEAR-EXIT	*	1	X	
3-5	LABEL(R)-CAU_HOT_FU	*	1	X	
3-6	PMO-BUSHING TX	*	3	X	
3-7	PMO-ACTUATOR EXIT	JC72-00988A	1	O	
3-8	RMO-RUBBER EXIT_F/UP	*	2	X	
4	MEA UNIT-BRK GEAR FU	*	1	X	
4-1	RING-E	*	2	X	
4-2	BRACKET-P-FUSER	*	1	X	
4-3	GEAR-IDLE 33	JC66-00425A	1	O	
4-4	GEAR-IDLE 23	JC66-00426A	1	O	

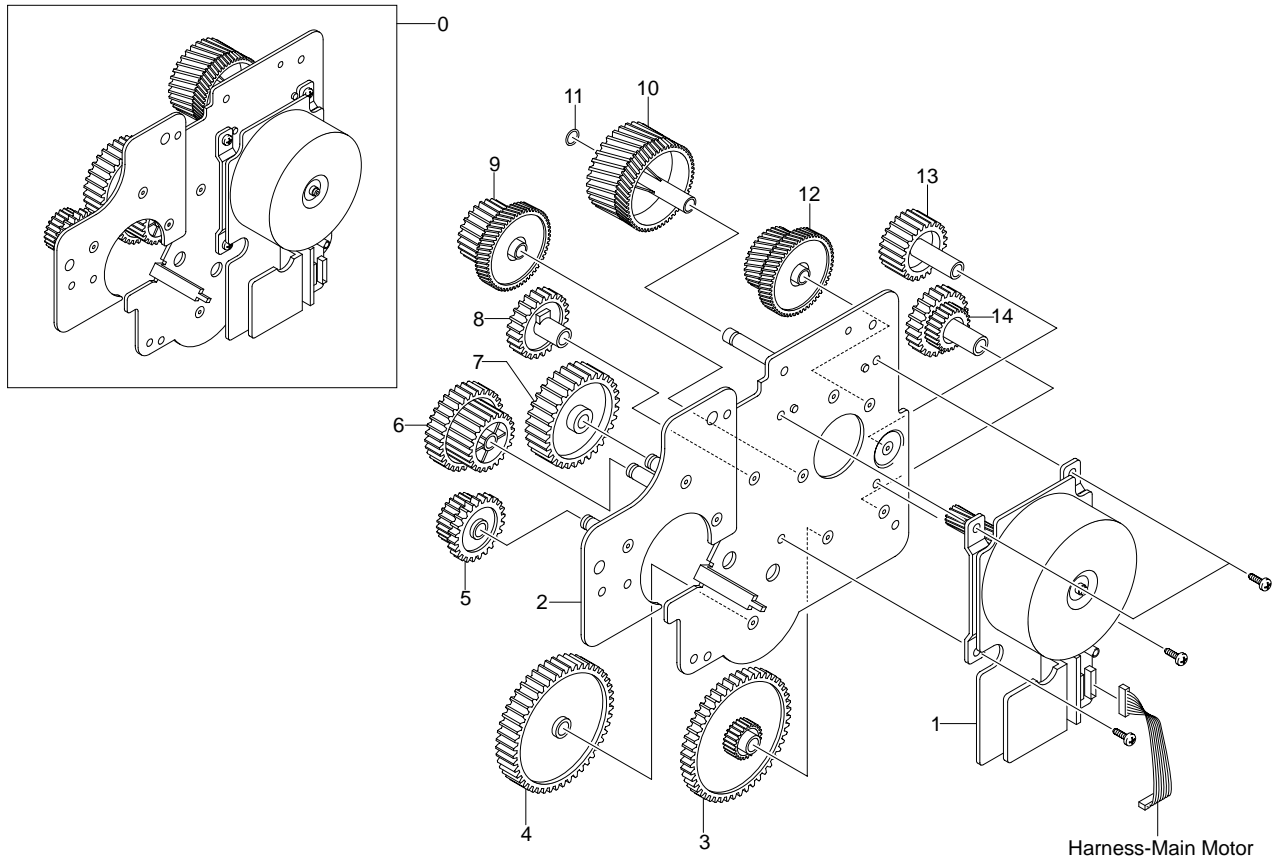
Fuser Unit Assembly Parts List

SA : Service Available

O : Service available X : Service not available

No.	Description	SEC.Code	Q'ty	SA	Remark
5	LAMP-HALOGEN	4713-001180	1	O	220V
6	SCREW-MACHINE	*	2	X	
7	SCREW-TAPTITE	*	6	X	
8	NUT-HEXAGON	*	2	X	
9	LABEL(R)-LV FUSER	*	1	X	110V

8.5 Main Driver Assembly



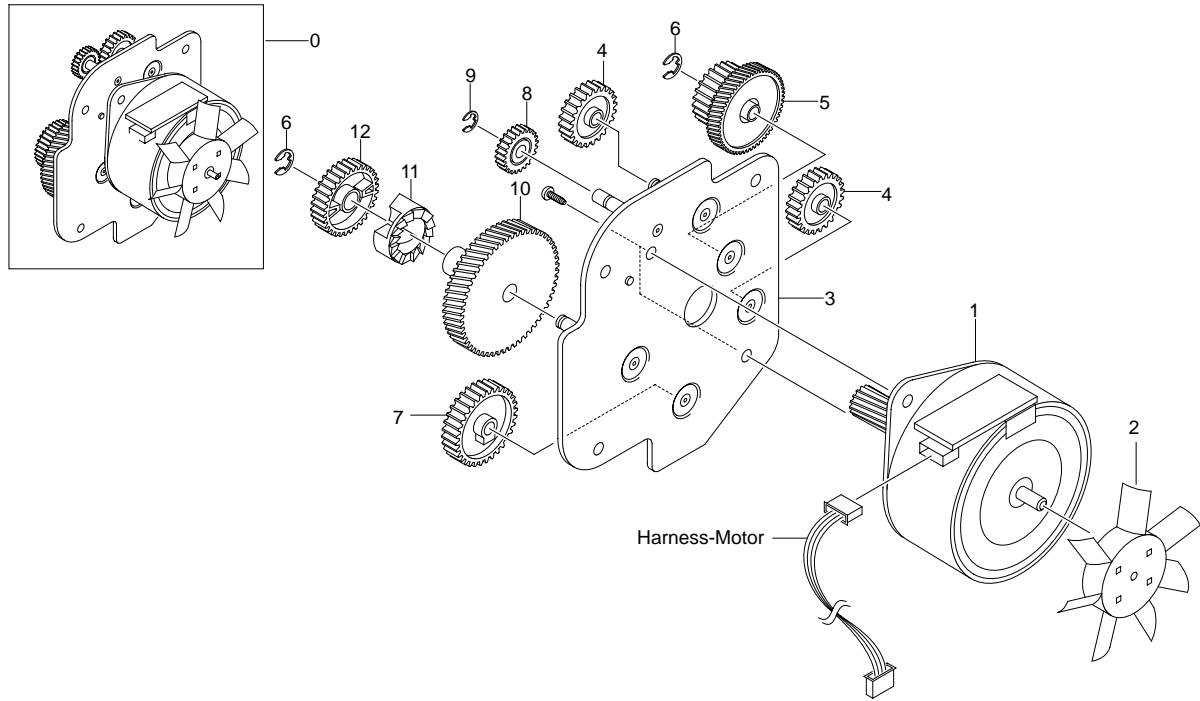
Main Driver Assembly Parts List

SA : Service Available

O : Service available X : Service not available

No.	Description	SEC.Code	Q'ty	SA	Remark
0	ELA UNIT-MOTOR MAIN CARDINAL	JC96-02725A	1	O	
1	MOTOR DC-BLDC CARDINAL	JC31-00024A	1	O	
2	BRACKET-P-MAIN	*	1	X	
3	GEAR-RDCN PICK_UP	JC66-00411A	1	O	
4	GEAR-PICK_UP DRV	JC66-00412A	1	O	
5	GEAR-RDCN RETARD	JC66-00410A	1	O	
6	GEAR-RDCN FEED	JC66-00409A	1	O	
7	GEAR-MP DRV	JC66-00413A	1	O	
8	GEAR-REGI IDLE	JC66-00408A	1	O	
9	GEAR-RDCN REGI	JC66-00407A	1	O	
10	GEAR-OPC DRV	JC66-00406A	1	O	
11	WASHER-PLAIN	*	2	X	
12	GEAR-RDCN OPC	JC66-00405A	1	O	
13	GEAR-DUPLEX IDLE	JC66-00415A	1	O	
14	GEAR-RDCN DUPLEX	JC66-00414A	1	O	
S	SCREW-TAPTITE	*	4	X	

8.6 Exit Driver Assembly



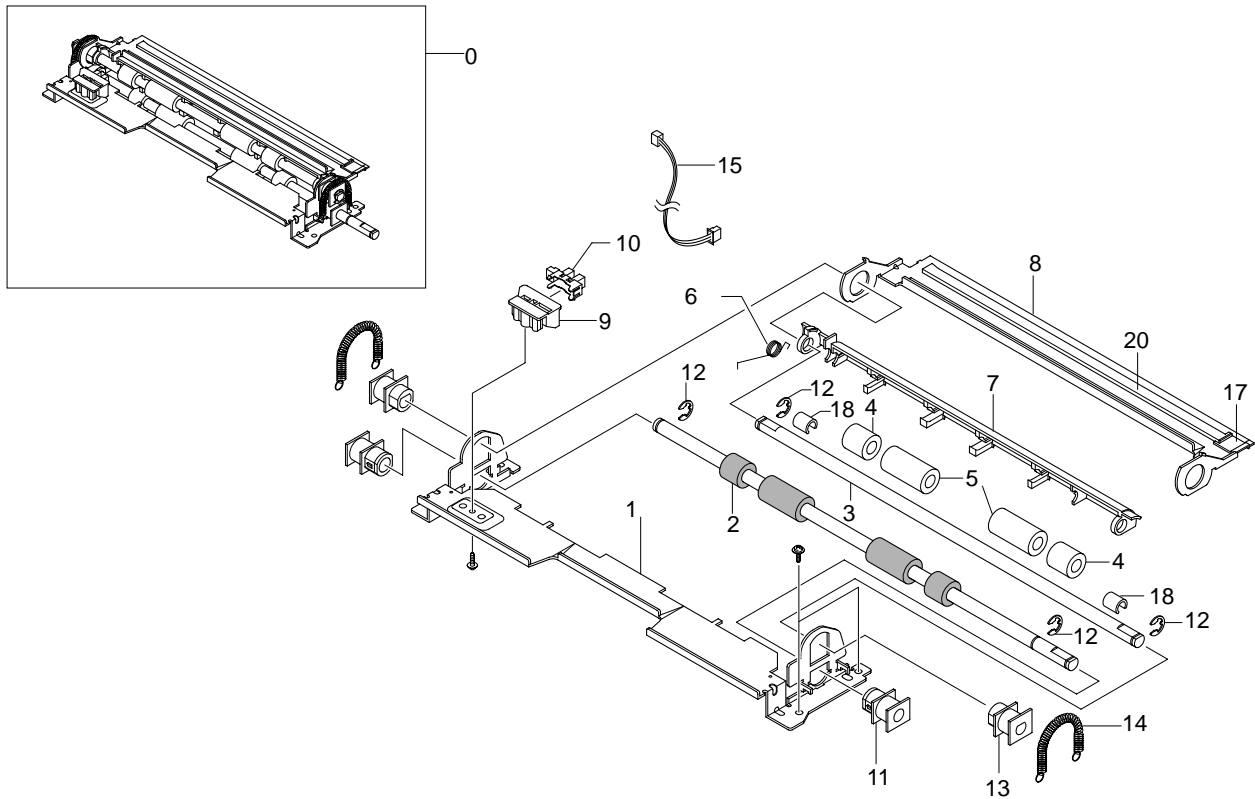
Exit Drive Assembly Parts List

SA : Service Available

O : Service available X : Service not available

No.	Description	SEC.Code	Q'ty	SA	Remark
0	ELA UNIT-MOTOR EXIT CARDINAL	JC96-02726A	1	O	
1	MOTOR STEP-EXIT CARDINAL	JC31-00005D	1	O	
2	PMO-IMPELLER_DRV	*	1	X	
3	BRACKET-P-EXIT	*	1	X	
4	GEAR-DP,IDLE	JC66-40911A	2	O	
5	GEAR-RDCN EXIT	JC66-00419A	1	O	
6	RING-E	*	2	X	
7	GEAR-FUSER IDLE	JC66-00418A	1	O	
8	GEAR-EXIT/U,ID	JC66-40211B	1	O	
9	RING-E	*	1	X	
10	GEAR-RDCN FUSER IN	JC66-00416A	1	O	
11	GEAR-HUB CLUTCH	JC66-00340A	1	O	
12	GEAR-RDCN FUSER OUT	JC66-00417A	1	O	
S	SCREW-MACHINE	*	2	X	

8.7 Regi Assembly



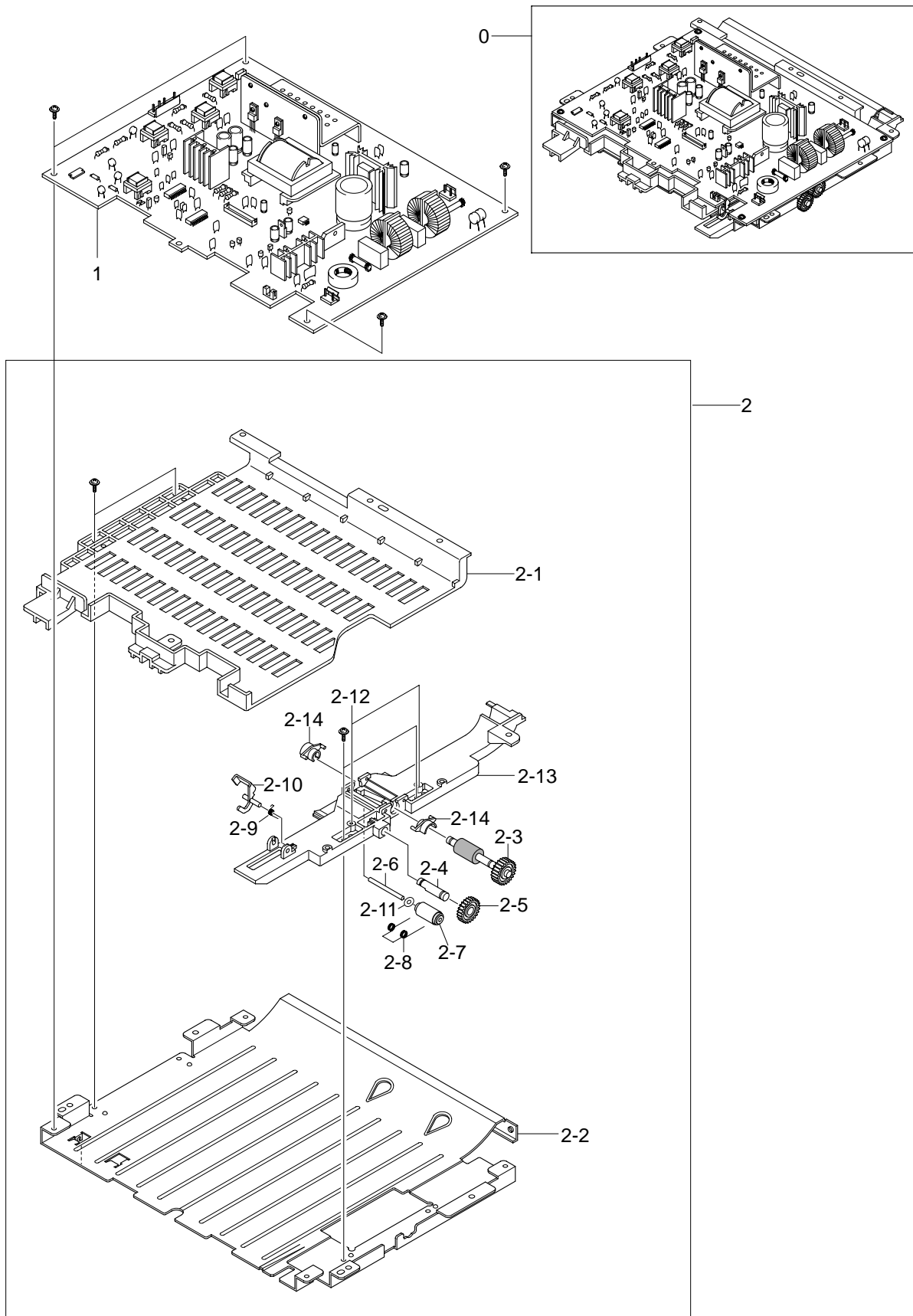
Regi Assembly Parts List

SA : Service Available

O : Service available X : Service not available

No.	Description	SEC.Code	Q'ty	SA	Remark
0	ELA UNIT-REGI	JC96-02626A	1	O	
1	GUIDE-P_REGI LOWER	*	1	X	
2	ROLLER-REGI LOWER L	*	1	X	
3	SHAFT-REGI UPPER	*	1	X	
4	ROLLER-M-REGI IDLE S	JC66-00448A	2	O	
5	ROLLER-M-REGI IDLE L	*	2	X	
6	SPRING-TS	*	1	X	
7	PMO-ACTUATOR REGISHUTTER	JC72-00998A	1	O	
8	GUIDE-P_REGI PLATE	*	1	X	
9	HOLDER-M-SENSOR	*	1	X	
10	PHOTO-INTERRUPTER	0604-001095	1	O	
11	BUSH-M-ROLLER REGI L	*	2	X	
12	RING-E	*	4	X	
13	BUSH-M-ROLLER REGI U	*	2	X	
14	SPRING-ES	*	2	X	
15	CBF HARNESS-MP EMPTY	JC39-00256A	1	O	
16	WASHER-PLAIN	*	2	X	
17	CAP-M-WIRE PTL UPPER	*	1	X	
18	CAP-M_BUSHING ACTUATOR	*	2	X	
19	CAP-P_BUSHING REGI LOWER	*	2	X	
20	PBA MAIN-PTL1	*	1	X	
S	SCREW-TAPTITE	*	1	X	

8.8 SMPS Assembly

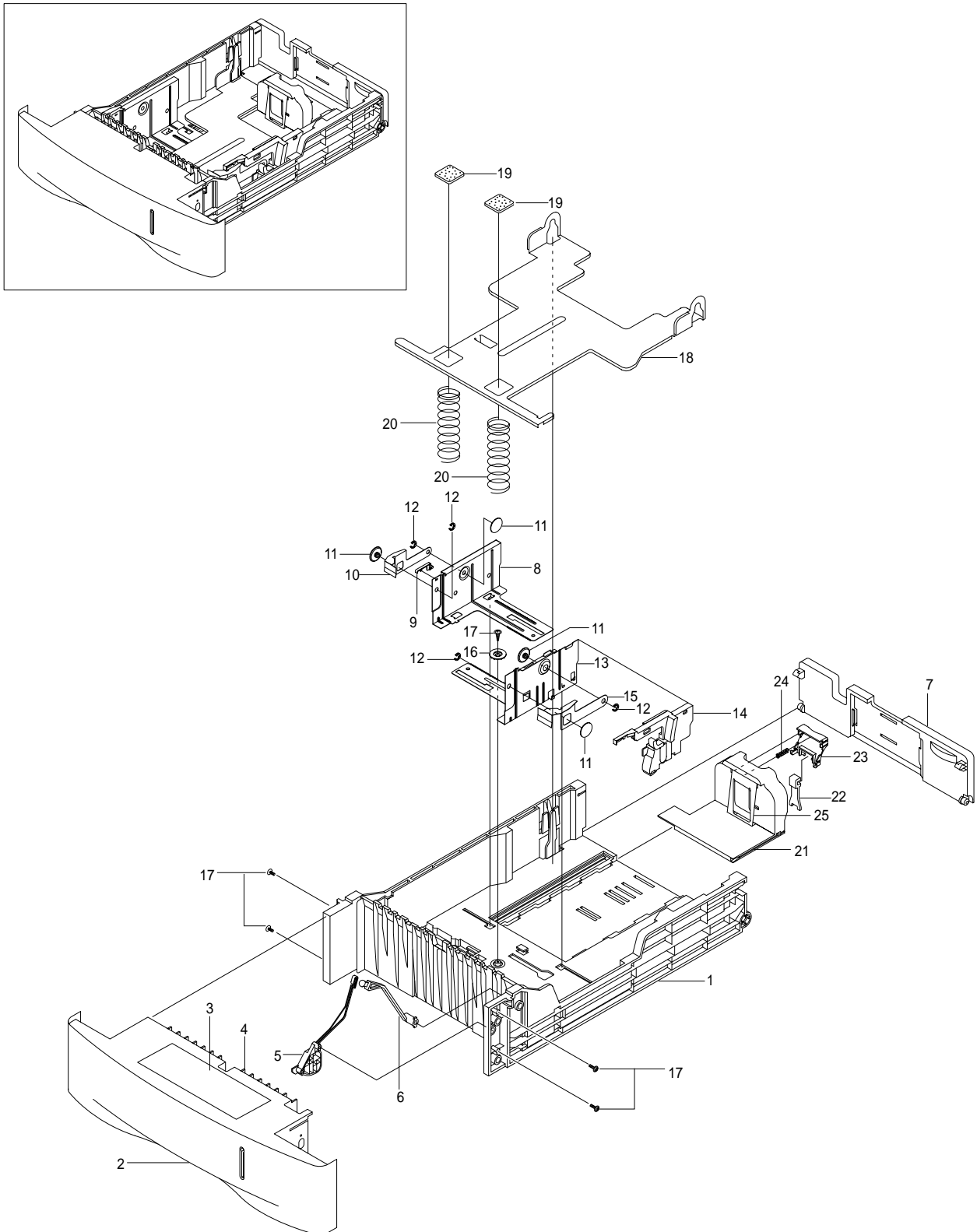


SMPS Assembly Parts List

SA : Service Available
 O : Service available X : Service not available

No.	Description	SEC.Code	Q'ty	SA	Remark
0	ELA HOU-SMPS_HVPS_V2(220V)	*	1	X	220V
1	SMPS-V2_HVPS	JC44-00053A	1	O	220V
2	MEA UNIT-DUPLEX	JC97-01714A	1	O	
2-1	GUIDE-M-LEFT, DUP	*	1	X	
2-2	GUIDE-P-BOTTOM, DUP	*	1	X	
2-3	MEA UNIT-ROLLER FEED, DUP	*	1	X	
2-4	ICT-STUD DRV GEAR, DUP	*	1	X	
2-5	GEAR-DP,IDLE	JC66-40911A	1	O	
2-6	SHAFT-IDLE ROLL, DUP	*	1	X	
2-7	ROLLER-M-IDLE, DUP	*	1	X	
2-8	SPRING-TS	*	1	X	
2-9	SPRING ETC-EMPTY	*	1	X	
2-10	PMO-ACTUATOR FEED, DUP	*	1	X	
2-11	PCT-SILP WASHER	*	1	X	
2-12	ICT-STUD PAPER GUIDE, DP	*	2	X	
2-13	GUIDE-M-RIGHT, DUP	*	1	X	
2-14	BUSH-M-FEED, DUP	*	2	X	
S	SCREW-TAPTITE	*	4	X	
S	SCREW-TAPTITE	*	2	X	
S	SCREW-TAPTITE	*	2	X	

8.9 Cassette Assembly

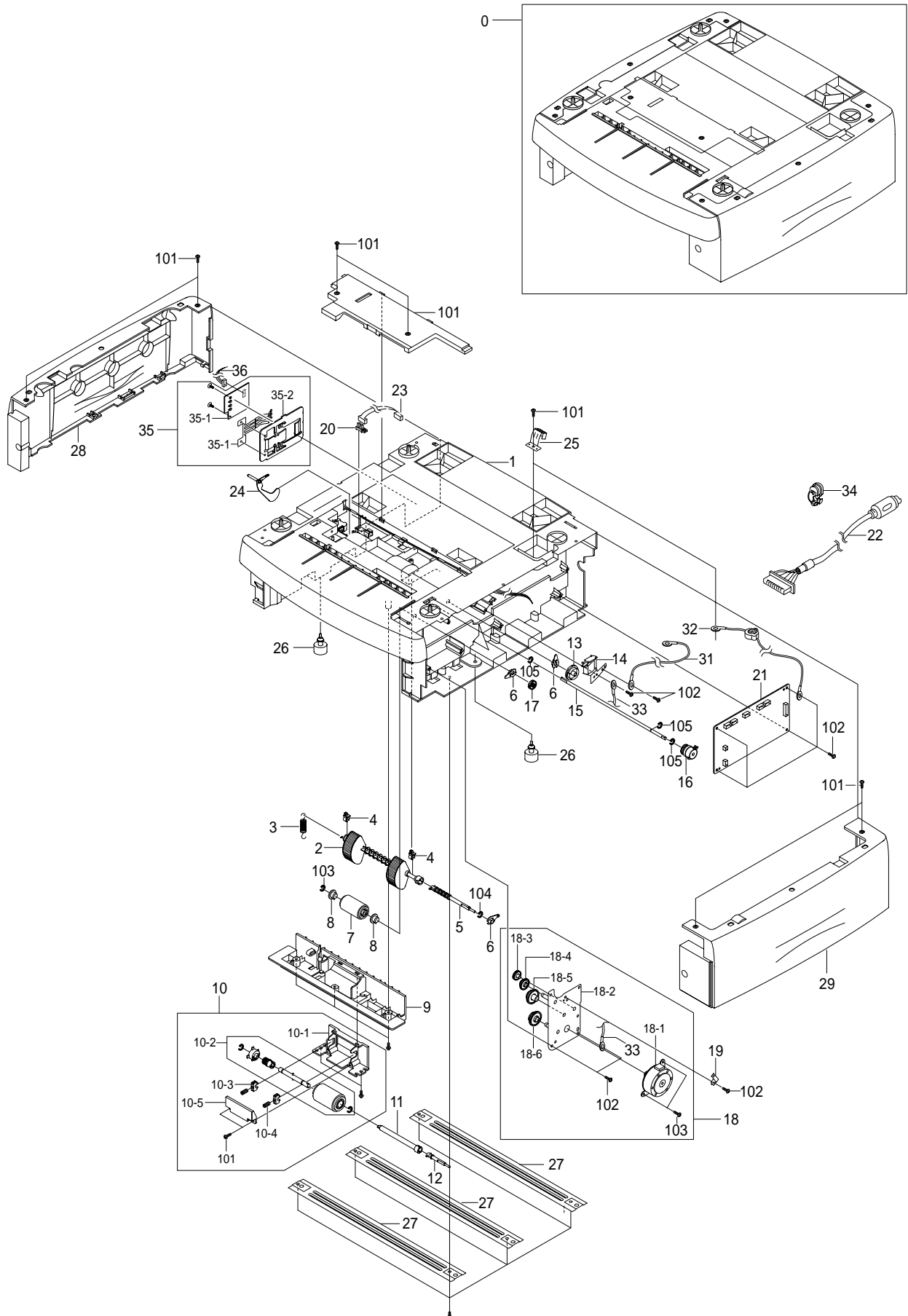


Cassette Assembly Parts List

SA : Service Available
 O : Service available X : Service not available

No.	Description	SEC.Code	Q'ty	SA	Remark
0	ELA UNIT-CASSETTE(550)	JC96-02687A	1	O	
1	FRAME-M-CASSETTE	*	1	X	
2	GUIDE-M-HANDLE	*	1	X	
3	LABEL(R)-CASSETTE	*	1	X	
4	GUIDE-M-INNER CST	*	1	X	
5	HOLDER-M-INDICATOR	*	1	X	
6	INDICATOR-M-EMPTY	*	1	X	
7	GUIDE-M-EXTENSION CST	*	1	X	
8	GUIDE-P-SIDE,L	*	1	X	
9	CAP-M-GUIDE SIDE,L	*	1	X	
10	IPR-P-FINGER LEFT	*	1	X	
11	BUSH-M-FINGER,F	*	4	X	
12	WASHER-PLAIN	*	4	X	
13	GUIDE-P-SIDE,R	*	1	X	
14	GUIDE-M-SIDE LOCK	*	1	X	
15	IPR-P-FINGER RIGHT	*	1	X	
16	GEAR-PINION	*	1	X	
17	SCREW-TAPTITE	*	10	X	
18	PLATE-P-KNOCK_UP	*	1	X	
19	RPR-PAD CST	*	2	X	
20	SPRING-CS	*	2	X	
21	GUIDE-M-REAR	*	1	X	
22	GUIDE-M-LOCK A	*	1	X	
23	KNOB-M-REAR	*	1	X	
24	SPRING ETC-REMAIN	*	1	X	
25	GUIDE-P-REAR PAPER CST	*	1	X	

8.10 SCF Assembly



SCF Assembly Parts List

SA : Service Available
 O : Service available X : Service not available

No.	Description	SEC.Code	Q'ty	SA	Remark
0	MEA UNIT-SECOND FEEDER	*	1	X	
1	PMO-FRAME SCF	*	1	X	
2	MEA UNIT-PICK UP	JC96-02683A	1	O	
2-1	HOUSING-PICK UP	*	1	X	
2-2	RUBBER-PICK UP	*	2	X	
3	SPRING-PICK UP	*	1	X	
4	PMO-BUSHING TX	*	2	X	
5	SHAFT-PICK UP	*	1	X	
6	PMO-BEARING SHAFT	*	4	X	
7	MEA UNIT ROLLER FEED	*	1	X	
8	BEARING-PICK UP	*	2	X	
9	PMO-GUIDE INNER-SCF	*	1	X	
10	ELA UNIT-RETARD	*	1	X	
11	COUPLING-RETARD SHAFT-SCF	*	1	X	
12	SHAFT-GEAR RETARD	*	1	X	
13	GEAR-PICK UP CAM SCF	*	1	X	
14	SOLENOID-WHITE	*	1	X	
15	SHAFT FEED SCF	*	1	X	
16	CLUTCH-ELECTROMAGNETIC	JC47-00009B	1	O	
17	GEAR-REGI Z25	*	1	X	
18	ELA UNIT-BRACKET SCF	*	1	X	
18-1	MOTOR-SCF	*	1	X	
18-2	IPR-BRK MOTOR SCF	*	1	X	
18-3	GEAR REGI IDLE	*	1	X	
18-4	GEAR SCF RDCN RETARD	*	1	X	
18-5	GEAR SCF RDCN PICKUP	*	1	X	
18-6	GEAR SCF RDCN FEED	*	1	X	
19	IPR-GND SPRING,FEED	*	1	X	
20	PHOTO-INTERRUPTER	*	1	X	
21	PCB CONTROLLER ASSY	*	1	X	
22	CBF HARNESS-SCF	*	1	X	
23	CABLE PHOTO-INTERRUPTER	*	1	X	
24	PMO-ACTUATOR EMPTY SCF	*	1	X	
25	IPR-GND TOP	*	1	X	
26	FOOT-RUBBER HAWK16	*	2	X	
27	IPR-BAR CROSS BOTTOM	*	3	X	
28	PMO-COVER L-SCF	*	1	X	
29	PMO-COVER R-SCF	*	1	X	
30	PMO-COVER DUMMY-SCF	*	1	X	
31	CBF HARNESS-SCF GND	*	1	X	
32	CBF HARNESS-LIU GND	*	1	X	
33	CBF HARNESS-OPE	*	1	X	
34	BUSH-CABLE	*	1	X	
35	ELA HOU-CST SENSOR HAWK16	*	1	X	
35-1	IPR-PLATE SENSOR	*	1	X	
35-2	IPR-BRACKET SENSOR	*	1	X	
35-3	PBA SUB-CASSETTE	*	1	X	
36	HARNESS PAPER-SIZE	*	1	X	

