



Parts Catalog - ML-1865W



1. Speed

- Up to 18 ppm in A4 (19 ppm in Letter)

2. Processor

- Jupiter5 375 MHz

3. Printer Language

- GDI, PCL5e

4. Memory

- 64 MB (DDR2)

5. Interfaces

- USB 2.0 High Speed

6. Toner cartridge

- Initial : 0.7K
- Sales : 1.5K

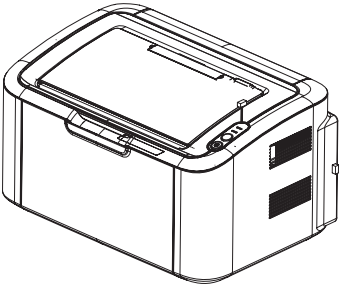
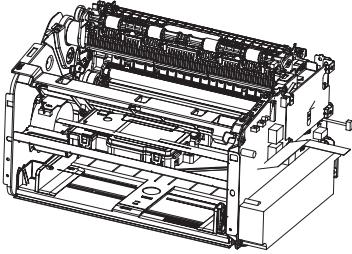
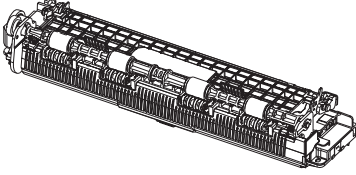
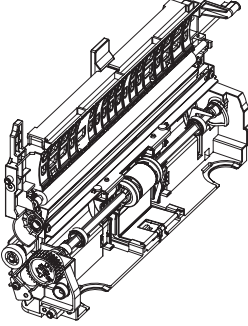
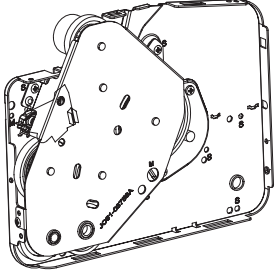
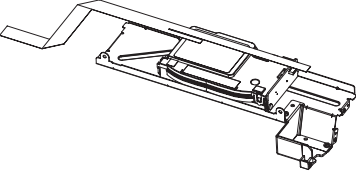
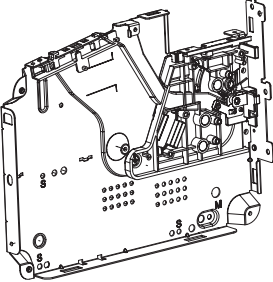
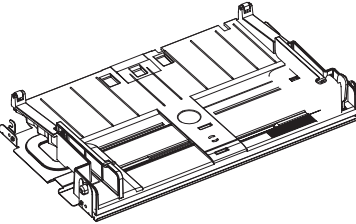
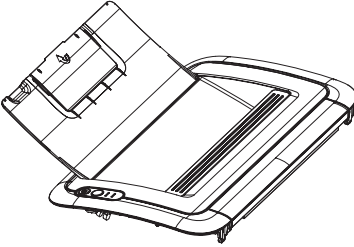
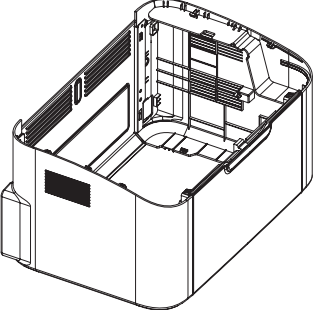
**This Parts Catalog is a property of Samsung Electronics Co.,Ltd.
Any unauthorized use of this manual can be punished under
applicable International and/or domestic law.**

Exploded View and Parts List

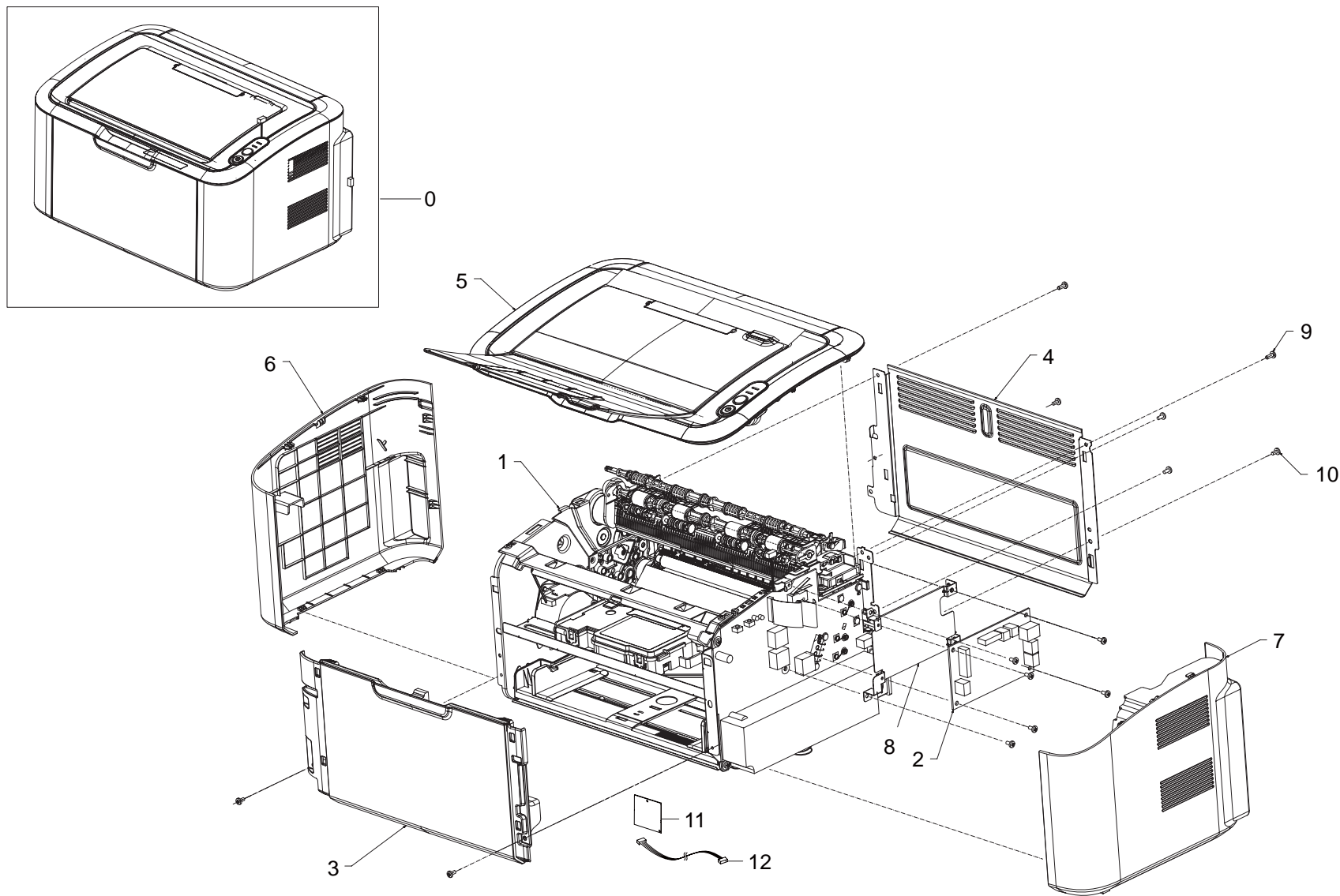
Contents

Thumbnail	4
0. MAIN	5
1. FRAME-MAIN	7
1A. FUSER	9
1B. FRAME-PAPER PATH	11
1C. FRAME MAIN-LEFT	13
1D. FRAME MAIN-MIDDLE and RIGHT	15
1E. FRAME MAIN-BOTTOM	17
2. COVER-TOP	19
3. COVER	21

Thumbnail

				
<p>0. MAIN</p>	<p>1. FRAME-MAIN</p>	<p>1A. FUSER</p>	<p>1B. FRAME-PAPER PATH</p>	<p>1C. FRAME MAIN-LEFT</p>
				
<p>1D. FRAME MAIN-MIDDLE</p>	<p>1D. FRAME MAIN-RIGHT</p>	<p>1E. FRAME MAIN-BOTTOM</p>	<p>2. COVER-TOP</p>	<p>3. COVER</p>

0. MAIN



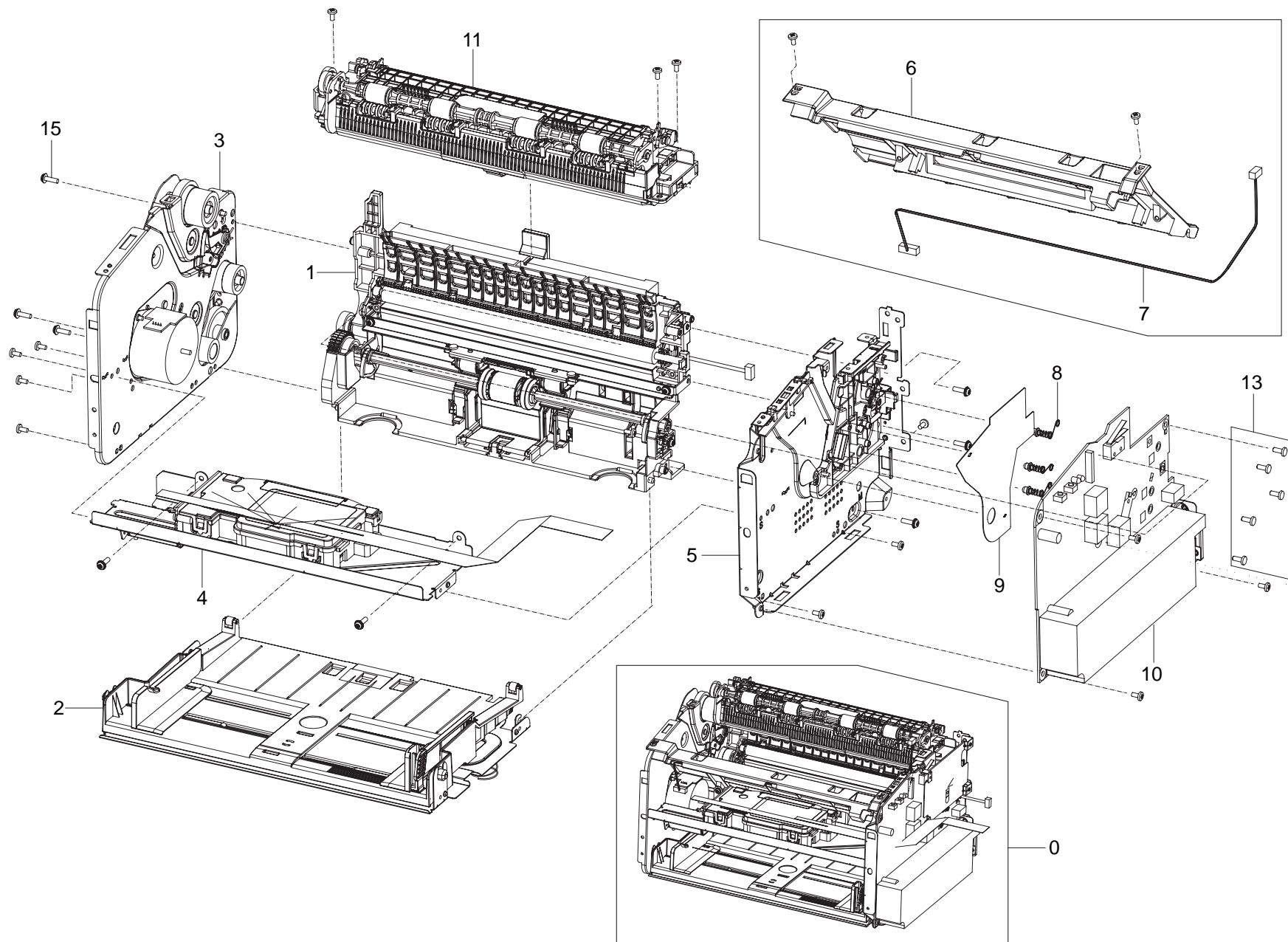
MAIN Parts List

SA : SERVICE AVAILABLE, SNA : SERVICE not AVAILABLE

Drawer#	SEC-Code	Description	Qty	Service	Remark
0	ML-1865W	SET			
1	JC93-00215E	FRAME MAIN	1	SNA	A type
1	JC93-00215F	FRAME MAIN	1	SNA	B type
2	JC92-02358A	PBA-MAIN	1	SA	EXP
2	JC92-02358B	PBA-MAIN	1	SA	SEE/XEU
2	JC92-02358D	PBA-MAIN	1	SA	XEV
2	JC92-02358E	PBA-MAIN	1	SA	XAA
2	JC92-02358F	PBA-MAIN	1	SA	XAZ
2	JC92-02358G	PBA-MAIN	1	SA	XAX
2	JC92-02358H	PBA-MAIN	1	SA	ETS

Drawer#	SEC-Code	Description	Qty	Service	Remark
3	JC95-01214B	COVER-FRONT	1	SA	
4	JC61-03787A	BRACKET-REAR	1	SNA	
5	JC95-01211J	COVER-TOP	1	SA	
6	JC95-01212A	COVER-LEFT	1	SA	
7	JC95-01213A	COVER-RIGHT	1	SA	
8	JC61-03770A	BRACKET-MAIN BOARD	1	SNA	
9	6003-000282	SCREW-TAPTYPE	2	SA	
10	6003-000269	SCREW-TAPTYPE	12	SA	
11	JC92-02364A	PBA-WNPC	1	SA	
12	JC39-01464A	WLAN-HARNESS	1	SA	

1. FRAME-MAIN



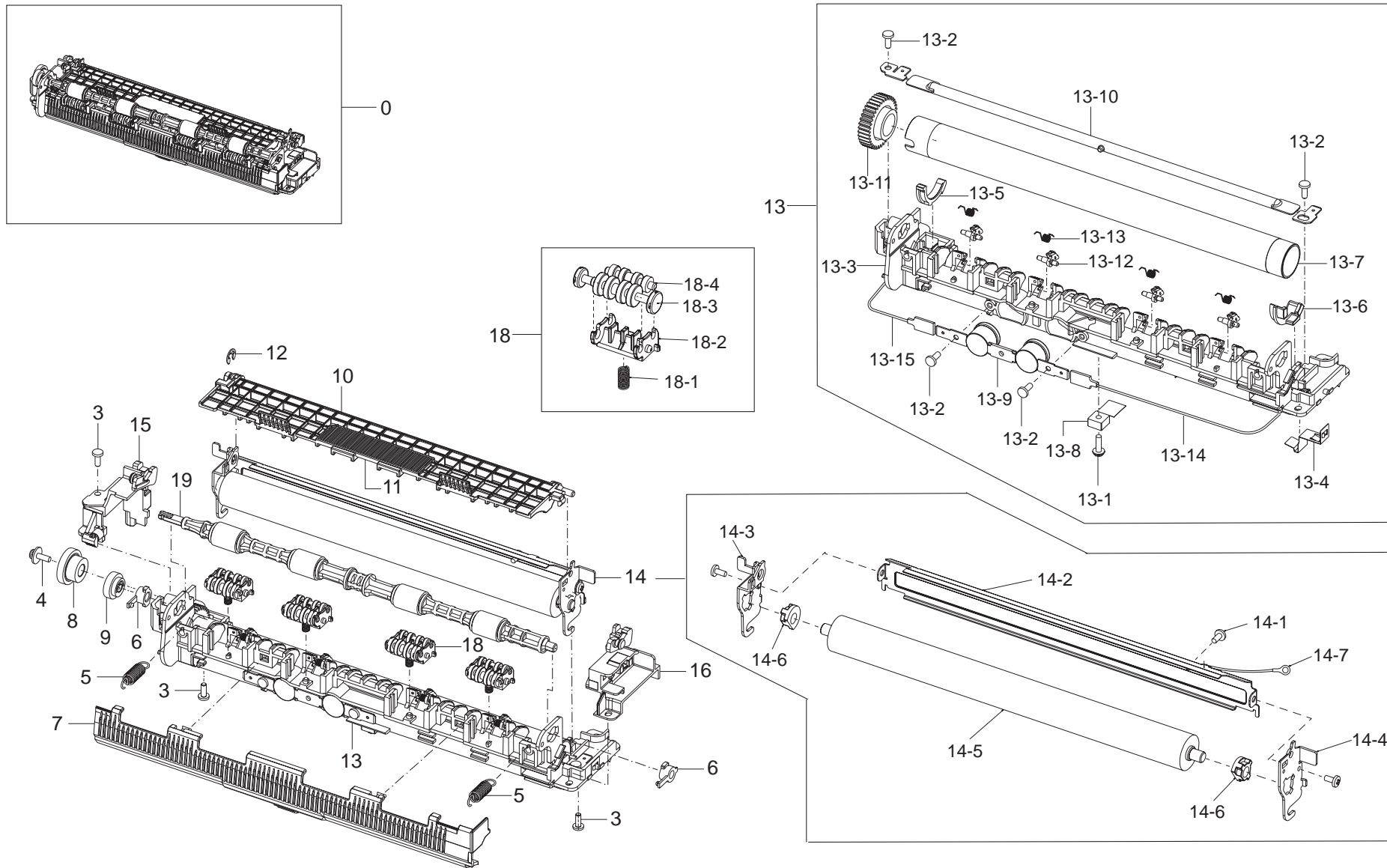
FRAME-MAIN Parts List

SA : SERVICE AVAILABLE, SNA : SERVICE not AVAILABLE

Drawer#	SEC_Code	Description	QT'y	Service	Remark
0	JC93-00215E	FRAME MAIN	1	SNA	110V / A type
0	JC93-00215F	FRAME MAIN	1	SNA	220V / B type
1	JC93-00214A	FRAME-PAPER PATH	1	SA	Refer to 1B
2	JC93-00221A	FRAME MAIN-BOTTOM	1	SA	Refer to 1E
3	JC93-00218A	FRAME MAIN-LEFT	1	SA	Refer to 1C
4	JC93-00220A	FRAME MAIN-MIDDLE	1	SA	Refer to 1D
5	JC93-00219A	FRAME MAIN-RIGHT	1	SA	Refer to 1D
6	JC63-02608A	COVER-LSU	1	SNA	
7	JC39-01354A	HARNESS-MOTOR	1	SA	

Drawer#	SEC_Code	Description	QT'y	Service	Remark
8	JC93-00217A	FRAME-TERMINAL	3	SNA	
9	JC63-02758A	SHEET-INSULATOR	1	SA	
10	JC44-00200A	SMPS/HVPS-V1	1	SA	110V
10	JC44-00201A	SMPS/HVPS-V2	1	SA	220V
11	JC91-00991A	FUSER	1	SA	110V , Refer to 1A
11	JC91-00991B	FUSER	1	SA	220V , Refer to 1A
13	6003-000282	SCREW-TAPTYPE	5	SNA	
14	6003-000269	SCREW-TAPTYPE	16	SNA	
15	6003-000196	SCREW-TAPTYPE	8	SNA	

1A. FUSER



FUSER Parts List

SA : SERVICE AVAILABLE, SNA : SERVICE not AVAILABLE

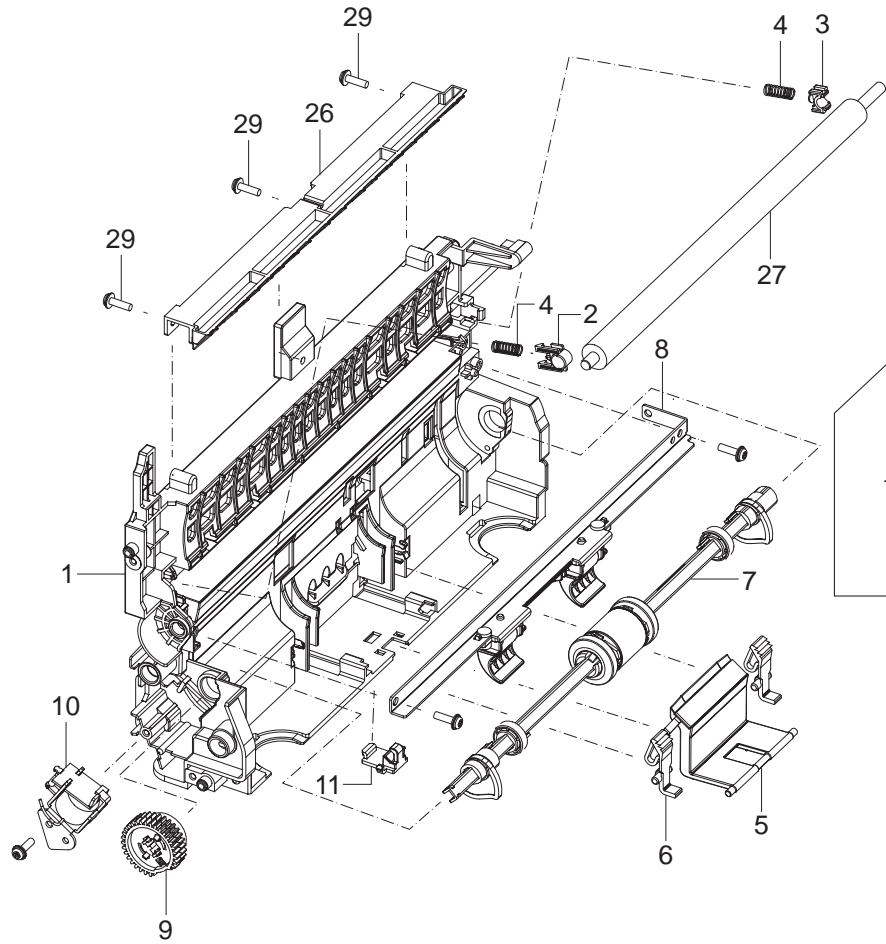
Drawer#	SEC_Code	Description	QT'y	Service	Remark
0	JC91-00991A	FUSER	1	SA	110V / A type
0	JC91-00991B	FUSER	1	SA	220V / B type
3	6003-000282	SCREW-TAPTYPE	3	SNA	
4	6006-001078	SCREW-TAPTYPE	1	SNA	
5	6107-002664	SPRING-ES	2	SNA	
6	JC61-03782A	BUSH-SHAFT_EXIT	2	SNA	
7	JC63-02616A	COVER-EXIT	1	SNA	
8	JC66-02583A	GEAR-EXIT DRV	1	SA	
9	JC66-02589A	GEAR-EXIT	1	SA	
10	JC63-02613A	COVER-FUSER_DUMMY	1	SA	
11	JC68-01581B	LABEL-CAUTION	1	SNA	
12	6044-000125	RING-E	1	SNA	
13	JC91-00983A	FUSER-UPPER	1	SA	A type
13	JC91-00983B	FUSER-UPPER	1	SA	B type
13_1	6003-000196	SCREW-TAPTYPE	1	SNA	
13_2	6003-000282	SCREW-TAPTYPE	4	SNA	
13_3	JC63-02612A	COVER-FUSER	1	SNA	
13_4	JC63-02617A	GROUND-HR	1	SNA	
13_5	JC61-03754A	BUSH-HR_L	1	SNA	
13_6	JC61-03755A	BUSH-HR_R	1	SNA	
13_7	JC66-02715A	ROLLER-HEAT	1	SNA	
13_8	1404-001541	THERMISTOR-NTC ASSY	1	SA	
13_9	4712-001084	THERMOSTAT	1	SA	

Drawer#	SEC_Code	Description	QT'y	Service	Remark
13_10	4713-001519	LAMP-HALOGEN	1	SA	110V / A type
13_10	4713-001520	LAMP-HALOGEN	1	SA	220V / B type
13_11	JC66-00564A	GEAR-FUSER Z37	1	SA	
13_12	JC61-03970A	GUIDE-CLAW	4	SA	
13-13	6107-002674	SPRING-TS	4	SNA	
13-14	JC39-01355A	HARNESS-FUSER	1	SA	
13-15	JC39-01356A	HARNESS-FUSER_JOINT	1	SA	
14	JC91-00984A	FUSER-LOWER	1	SNA	
14-1	6003-000269	SCREW-TAPTYPE	3	SNA	
14-2	JC61-03779A	FRAME-FUSER	1	SNA	
14-3	JC61-03783A	BRACKET-PR_L	1	SNA	
14-4	JC61-03784A	BRACKET-PR_R	1	SNA	
14-5	JC66-02716B	ROLLER-PRESSURE	1	SNA	
14-6	JC61-03756A	BUSH-PR	2	SA	
14-7	JB39-00017A	CBF HARNESS-EARTH (TX MOTOR)	1	SA	
15	JC91-00987A	FUSER-LEFT	1	SNA	
16	JC91-00986A	FUSER-RIGHT	1	SNA	
18	JC91-00988A	FUSER-GUIDE HOLDER R	4	SA	
18-1	6107-002665	SPRING-CS	1	SA	
18-2	JC61-03781A	HOLDER-EXIT_F_DOWN	1	SA	
18-3	JC66-02742A	ROLLER-EXIT_MAIN	1	SA	
18-4	JC66-02551B	ROLLER-EXIT_FR	1	SA	
19	JC91-00985A	FUSER-EXIT ROLLER	1	SA	

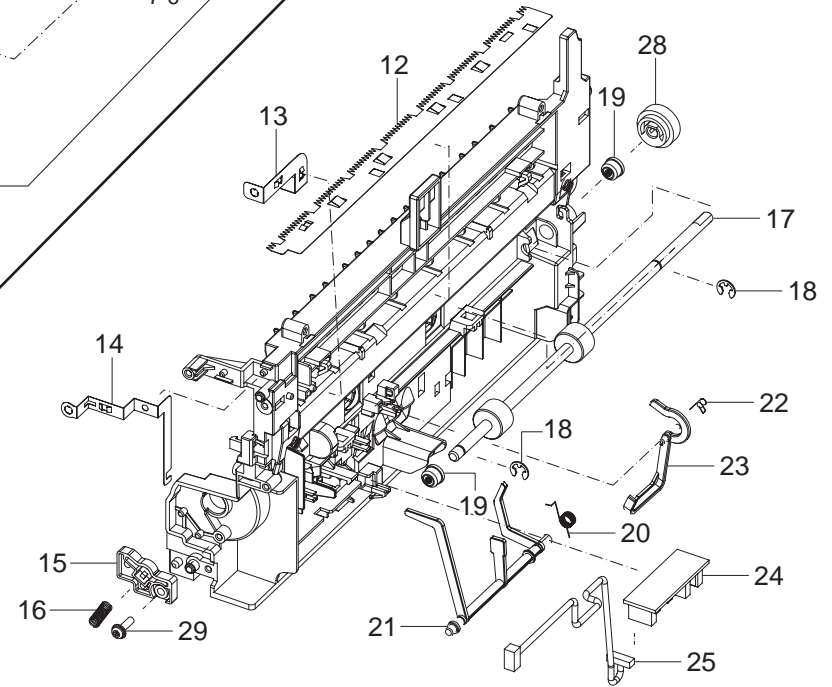
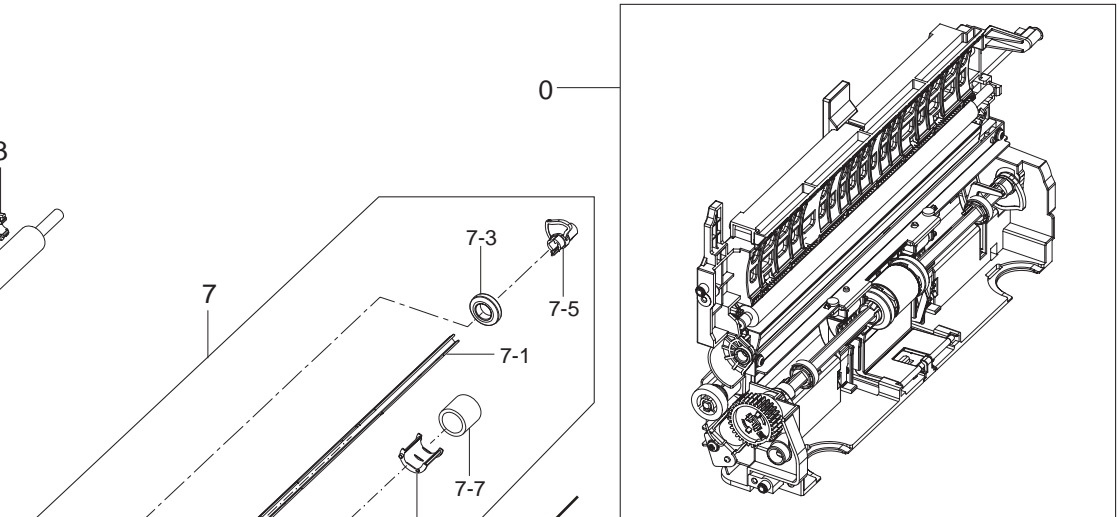
* Fuser type for model

- A type : XAA
- B type : SEE, XEU, XEV

1B. FRAME-PAPER PATH



[Front View]



[Rear View]

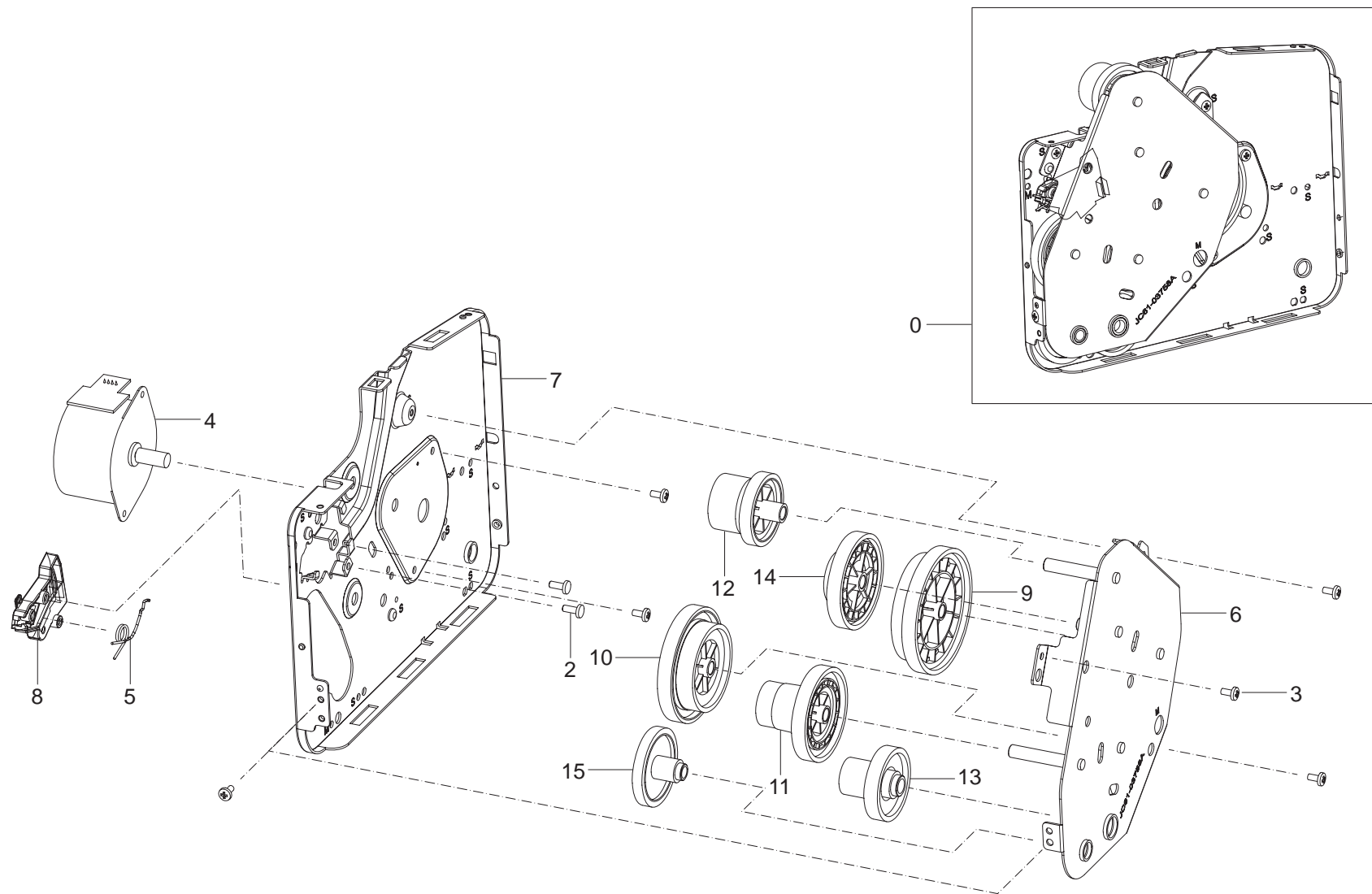
FRAME-PAPER PATH Parts List

SA : SERVICE AVAILABLE, SNA : SERVICE not AVAILABLE

Drawer#	SEC_Code	Description	QT'y	Service	Remark
0	JC93-00214A	FRAME-PAPER PATH	1	SA	
1	JC61-03778A	GUIDE-PAPER PATH	1	SA	
2	JC61-03777A	BUSH-TR L	1	SNA	
3	JC61-03776A	BUSH-TR R	1	SNA	
4	JC61-70940A	SPRING-CS	2	SA	
5	JC93-00211A	FRAME-HOLDER PAD	1	SA	
6	JC66-02592A	LEVER-KICKER PU	2	SNA	
7	JC93-00212A	FRAME-PICKUP	1	SA	
7-1	JC61-03774A	BRACKET-SHAFT_PICKUP	1	SNA	
7-2	JC61-03763A	HOUSING-PICKUP A	1	SA	
7-3	JC66-02725A	ROLLER-PICKUP_IDLE	2	SNA	
7-4	JC66-02594A	CAM-PICKUP_L	1	SNA	
7-5	JC66-02593A	CAM-PICKUP_R	1	SNA	
7-6	JC61-03764A	HOUSING-PICKUP B	1	SA	
7-7	JC73-00321A	RUBBER-PICK UP	1	SA	
8	JC93-00223A	FRAME-FEED IDLE	1	SA	
9	JC93-00213A	FRAME-PICKUP GEAR	1	SA	
10	JC33-00028C	SOLENOID-MP	1	SNA	
11	JC61-03969A	HINGE-HOLDER_PAD	1	SNA	

Drawer#	SEC_Code	Description	QT'y	Service	Remark
12	JC61-00604A	PLATE-P-SAW	1	SA	
13	JC63-02625A	GROUND-SAW	1	SNA	
14	JC63-02626A	GROUND-THV	1	SNA	
15	JC61-01548A	HOLDER-M-CAM	1	SA	
16	JC61-70940A	SPRING ETC-TR(12)	1	SA	
17	JC66-02598A	ROLLER-FEED	1	SNA	
18	6044-000125	RING-E	2	SA	
19	JB72-00819A	PMO-BUSH	2	SA	
20	6107-002634	SPRING-TS	1	SA	
21	JC66-02591A	ACTUATOR-EMPTY	1	SA	
22	6107-002633	SPRING-TS	1	SA	
23	JC66-02590A	ACTUATOR-FEED	1	SA	
24	JC92-02288A	PBA-FEED SENSOR	1	SA	
25	JC39-01353A	HARNESS-SENSOR	1	SNA	
26	JC61-03775A	GUIDE-INPUT	1	SNA	
27	JC66-02709A	ROLLER-TRANSFER	1	SA	
28	JC66-02585A	GEAR-FEED	1	SNA	
29	6003-000196	SCREW-TAPTYPE	7	SA	

1C. FRAME MAIN-LEFT



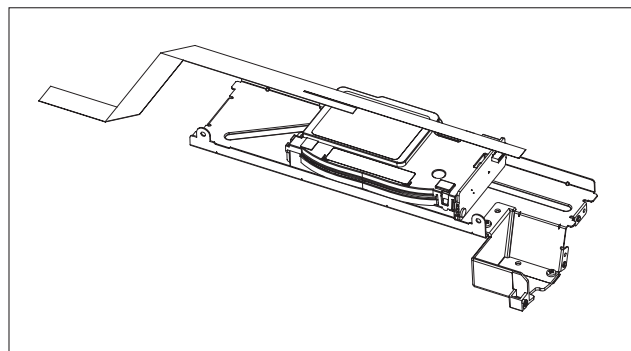
FRAME MAIN-LEFT Parts List

SA : SERVICE AVAILABLE, SNA : SERVICE not AVAILABLE

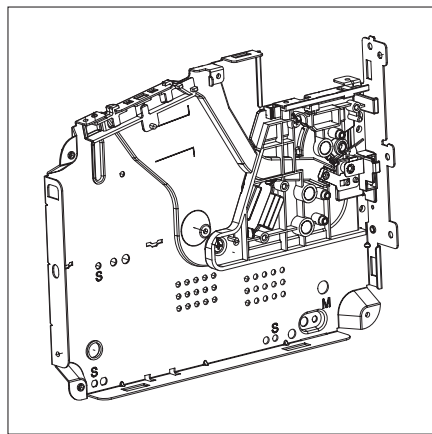
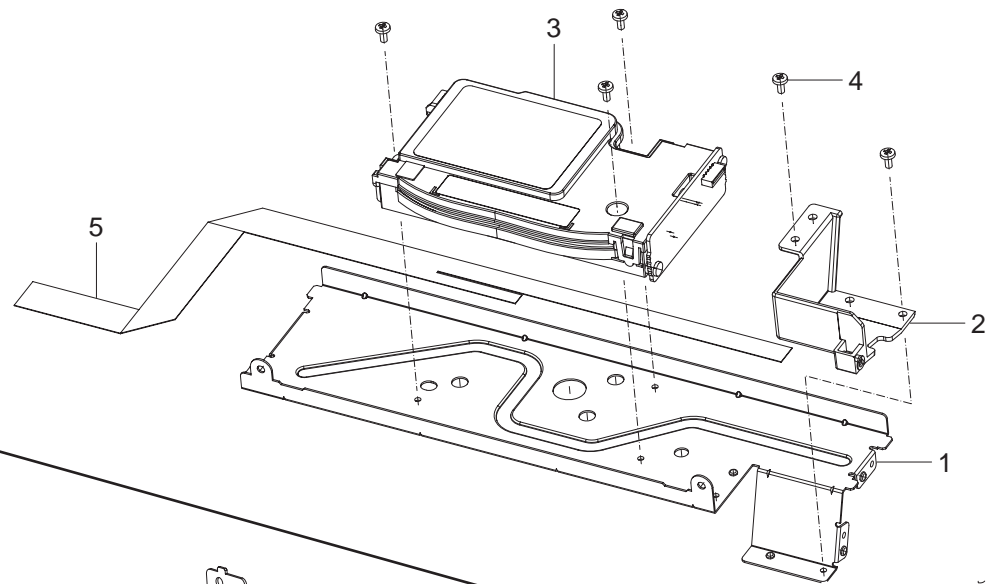
Drawer#	SEC_Code	Description	QT'y	Service	Remark
0	JC93-00218A	FRAME MAIN-LEFT	1	SA	
2	6003-000282	SCREW-TAPTYPE	2	SA	
3	6003-000269	SCREW-TAPTYPE	6	SA	
4	JC31-00134B	MOTOR STEP	1	SA	
5	6107-002626	SPRING-TS	1	SA	
6	JC61-03758A	BRACKET-GEAR	1	SNA	
7	JC61-03760A	FRAME-LEFT	1	SNA	
8	JC61-03766A	GUIDE-DEVE RAIL L	1	SA	

Drawer#	SEC_Code	Description	QT'y	Service	Remark
9	JC66-02578A	GEAR-RDCN A	1	SA	
10	JC66-02586A	GEAR-RDCN OPC	1	SA	
11	JC66-02581A	GEAR-OPC DRV	1	SA	
12	JC66-02582A	GEAR-FUSER DRV	1	SA	
13	JC66-02580A	GEAR-RDCN FEED	1	SA	
14	JC66-02579A	GEAR-RDCN FUSER	1	SA	
15	JC66-02584A	GEAR-FEED DRV	1	SA	

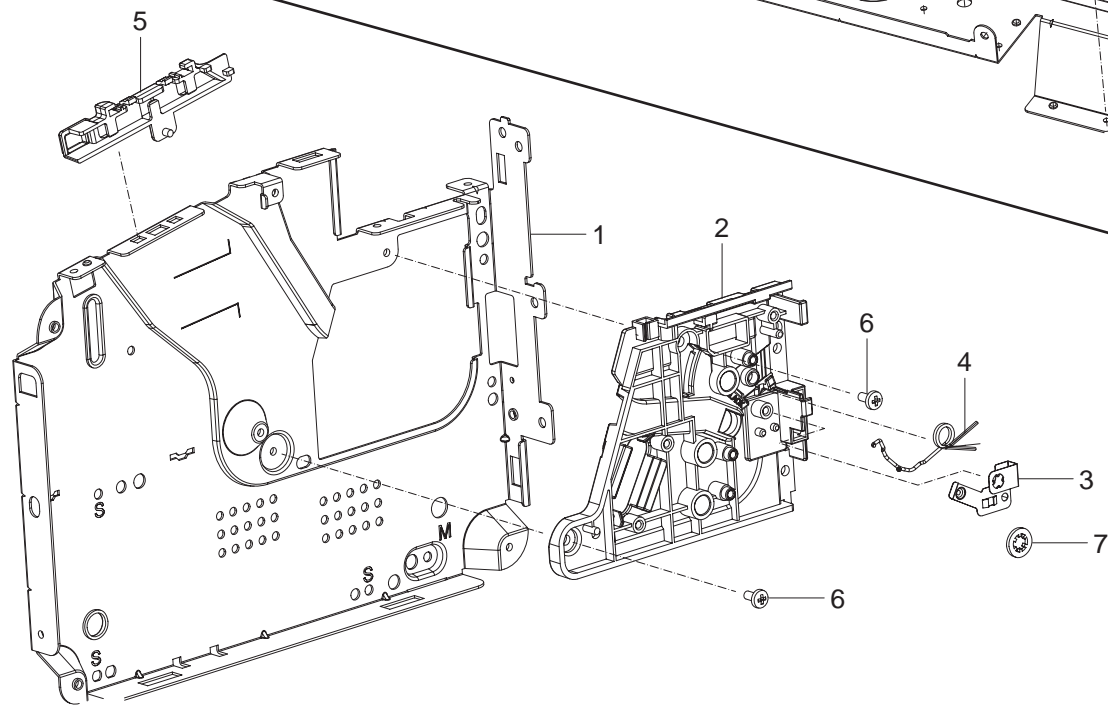
1D. FRAME MAIN-MIDDLE and RIGHT



a



b



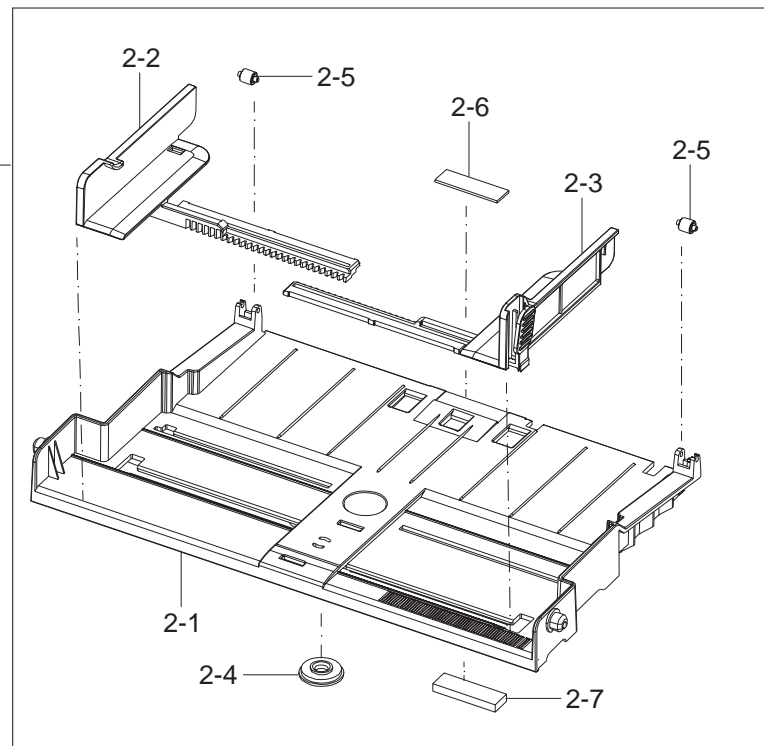
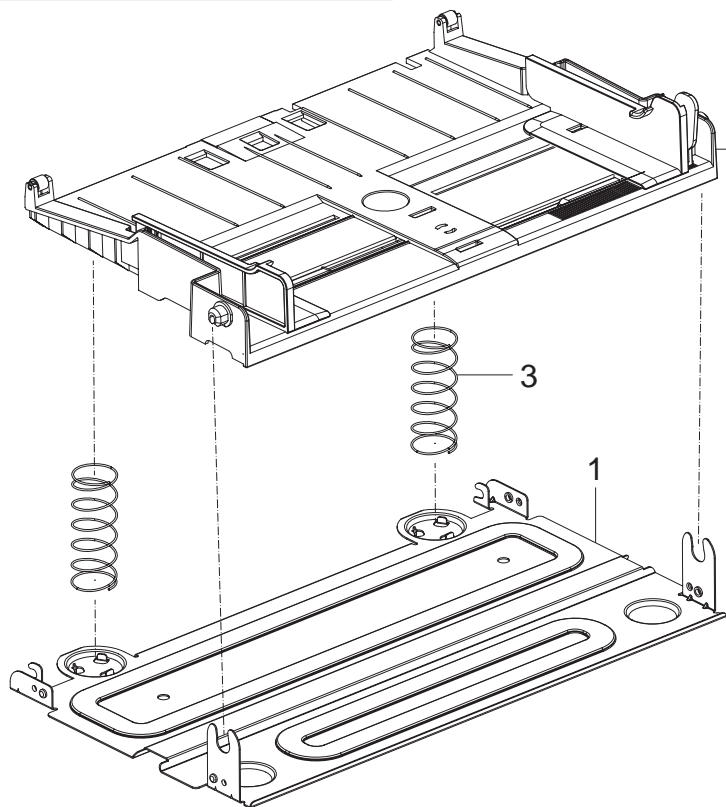
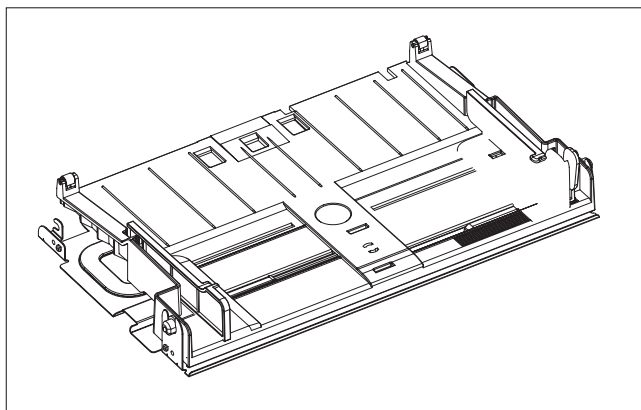
FRAME MAIN-MIDDLE and RIGHT Parts List

SA : SERVICE AVAILABLE, SNA : SERVICE not AVAILABLE

Drawer#	SEC_Code	Description	QT'y	Service	Remark
a	JC93-00220A	FRAME MAIN-MIDDLE	1	SA	
1	JC61-03769A	BRACKET-LSU	1	SNA	
2	JC63-02609A	COVER-MOTOR	1	SNA	
3	JC97-03775A	LSU	1	SA	
4	6003-000269	SCREW-TAPTYPE	5	SA	
5	JC39-01358A	FLAT CABLE	1	SA	

Drawer#	SEC_Code	Description	QT'y	Service	Remark
b	JC93-00219A	FRAME MAIN-RIGHT	1	SA	
1	JC61-03761A	FRAME-RIGHT	1	SNA	
2	JC61-03767A	GUIDE-DEVE RAIL R	1	SA	
3	JC63-02606A	GROUND-OPC	1	SA	
4	6107-002625	SPRING-TS	1	SA	
5	JC61-03765A	HOLDER-HARNESS	1	SA	
6	6003-000269	SCREW-TAPTYPE	2	SA	
7	6044-000001	CS-RING	1	SA	

1E. FRAME MAIN-BOTTOM



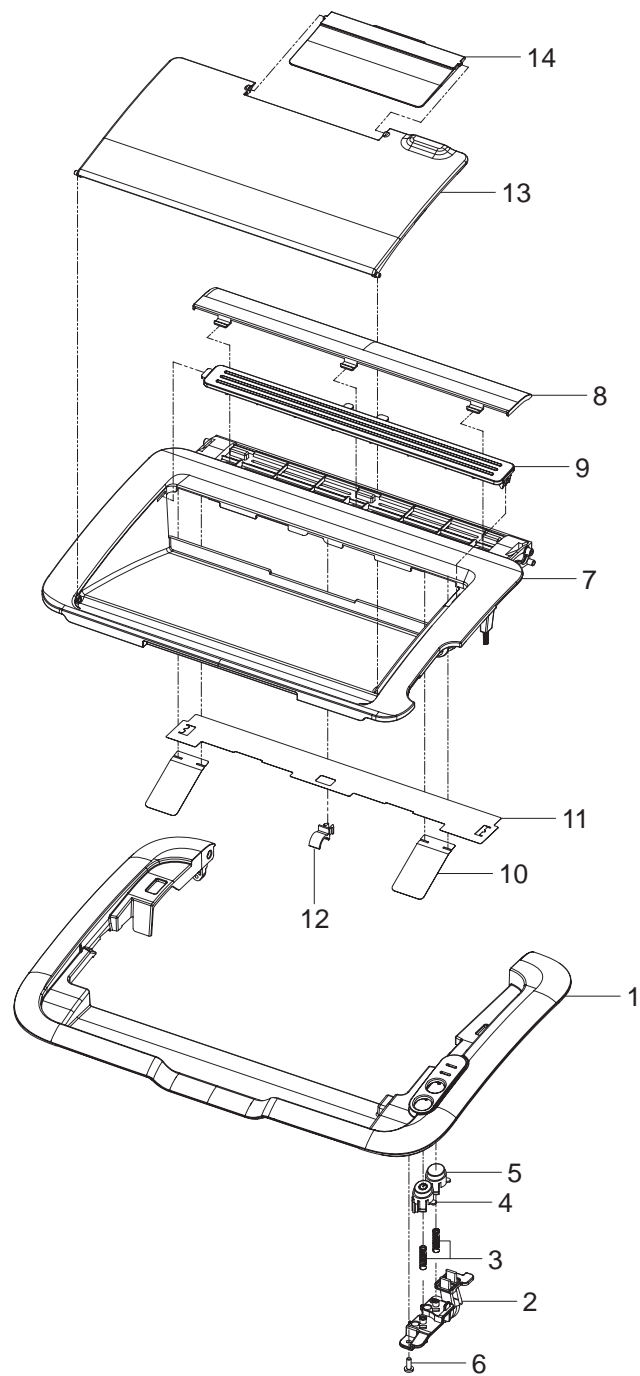
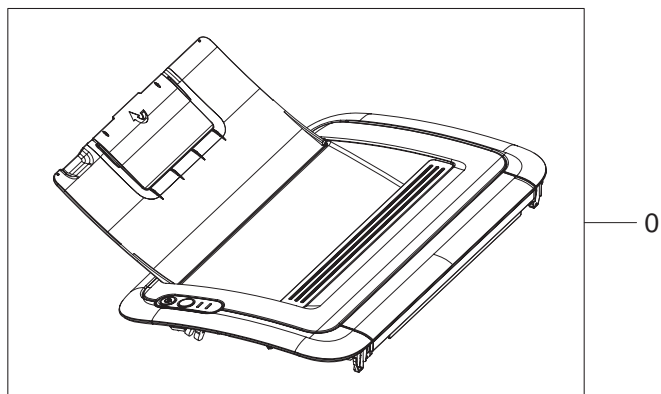
FRAME MAIN-BOTTOM Parts List

SA : SERVICE AVAILABLE, SNA : SERVICE not AVAILABLE

Drawer#	SEC_Code	Description	QT'y	Service	Remark
0	JC93-00221A	FRAME MAIN-BOTTOM	1	SA	
1	JC61-03762A	FRAME-BOTTOM	1	SNA	
2	JC93-00216A	FRAME-PLATE KNOCK UP	1	SNA	
2-1	JC61-03788A	PLATE-KNOCKUP	1	SA	
2-2	JC70-00580A	ADJUST-CASSETTE_L	1	SA	
2-3	JC70-00581A	ADJUST-CASSETTE_R	1	SA	

Drawer#	SEC_Code	Description	QT'y	Service	Remark
2-4	JG66-40003A	GEAR-PINION	1	SA	
2-5	JC61-03968B	STOPPER-GEAR_FUSER	2	SNA	
2-6	JC74-00011A	MPR-PAD KNOCK UP MP	1	SA	
2-7	JC72-01581A	SPONGE-PICKUP	1	SA	
3	6107-002592	SPRING-CS	2	SNA	

2. COVER-TOP



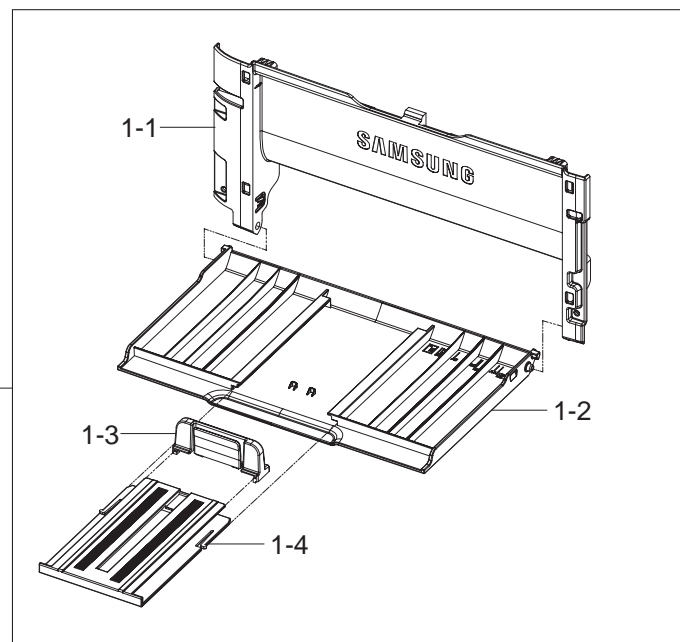
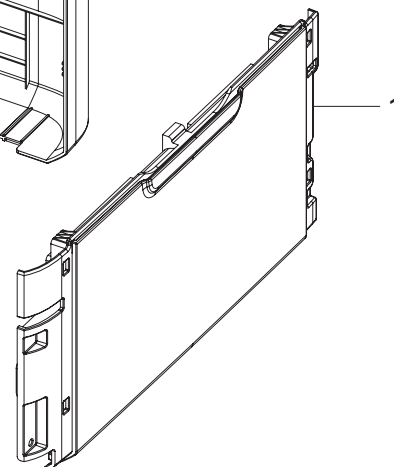
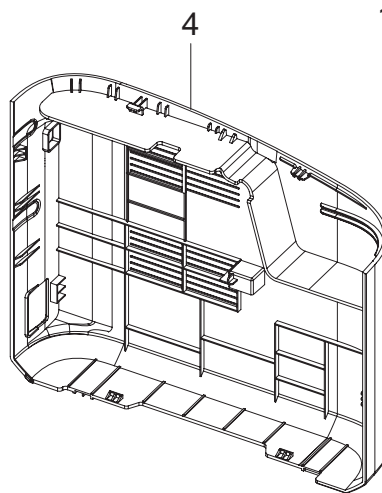
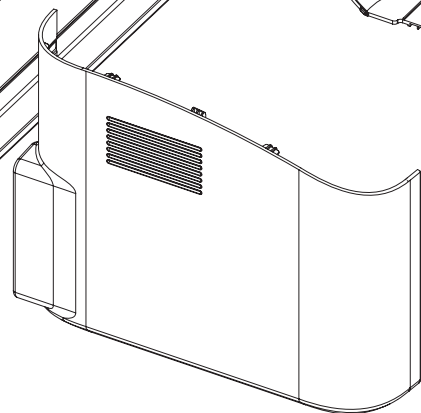
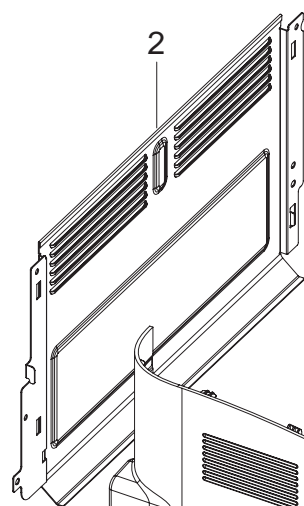
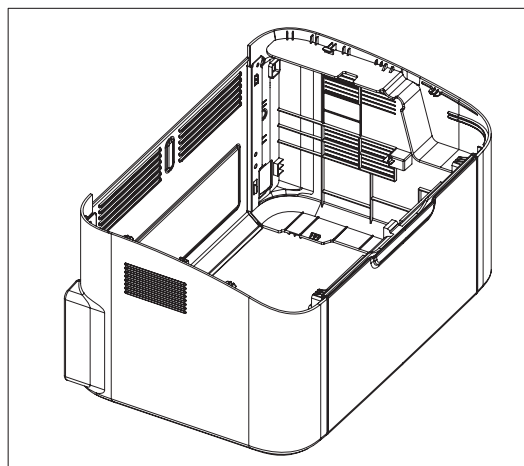
COVER-TOP Parts List

SA : SERVICE AVAILABLE, SNA : SERVICE not AVAILABLE

Drawer#	SEC_Code	Description	QT'y	Service	Remark
0	JC95-01211J	COVER-TOP	1	SA	
1	JC63-02610C	COVER-TOP	1	SNA	
2	JC67-00449A	LENS-STATUS	1	SA	
3	JC61-00022A	SPRING ETC-HOOK	2	SA	
4	JC64-00542B	KEY-POWER	1	SNA	
5	JC64-00543C	KEY-WPS	1	SNA	
6	6003-000282	SCREW-TAPTYPE	1	SA	
7	JC63-02778E	COVER-OPEN	1	SNA	

Drawer#	SEC_Code	Description	QT'y	Service	Remark
8	JC63-02618B	COVER-TOP DUMMY	1	SNA	
9	JC63-02771A	COVER-OPEN GRILL	1	SNA	
10	JC63-02629A	SHEET-STACKING	2	SNA	
11	JC63-02774A	SHEET-OPEN	1	SNA	
12	JC61-03973A	HOLDER-SHAFT	1	SNA	
13	JC61-03785B	STACKER-MAIN	1	SA	
14	JC61-03786B	STACKER-SUB	1	SA	

3. COVER



COVER Parts List

SA : SERVICE AVAILABLE, SNA : SERVICE not AVAILABLE

Drawer#	SEC_Code	Description	QT'y	Service	Remark
0	JC95-01216B	COVER	1	SNA	
1	JC95-01214B	COVER-FRONT	1	SA	
1_1	JC63-02961A	COVER-INNER	1	SNA	
1_2	JC63-02620A	COVER-CASSETTE	1	SNA	
1_3	JC63-02623A	TRAY-EXTENSION L	1	SA	
1_4	JC63-02624A	TRAY-EXTENSION S	1	SA	
2	JC61-03787A	BRACKET-REAR	1	SNA	

Drawer#	SEC_Code	Description	QT'y	Service	Remark
3	JC95-01212A	COVER-LEFT	1	SNA	
4	JC95-01213A	COVER-RIGHT	1	SNA	