

5. Exploded Views and Parts List

Contents

5.1 Main	5-2	5.5 Frame Lower	5-10
5.2 Cover Top	5-4	5.6 Main Drive	5-14
5.3 Cover Lower	5-6	5.7 Fuser	5-16
5.4 Frame Upper	5-8	5.8 Cassette	5-18

DIGITAL LASER PRINT

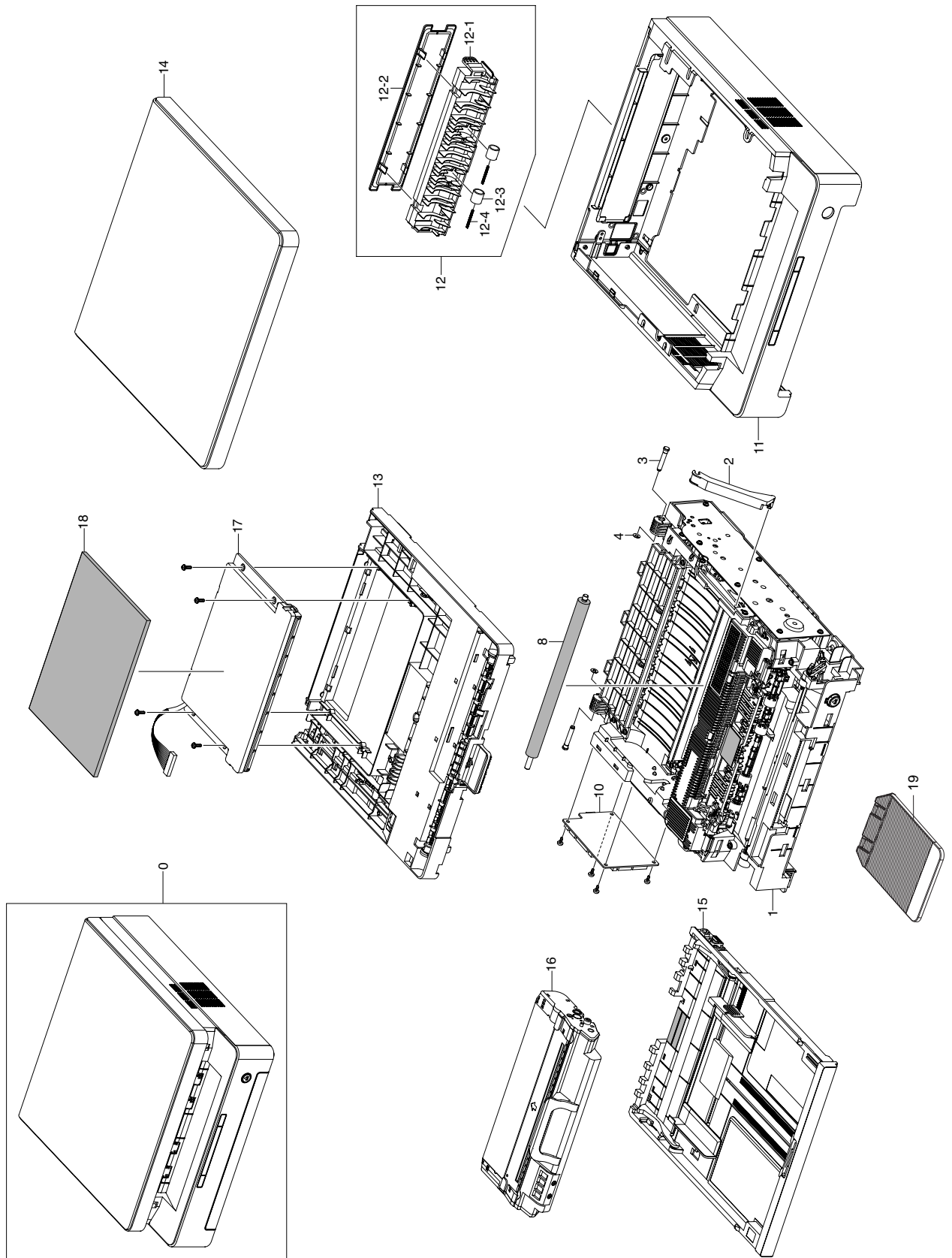


The keynote of Product

Slim Size 3 in 1 MFP, Emotional Design (ML-1630/ML-1630S)

- Printing Speed : 16PPM(A4), 17PPM(Ltr)
- Interface : USB 2.0
- Paper Input Capacity : 100 sheets
- Paper Output Capacity : 30 sheets
- Engine Life : 50,000 Pages
- Toner : Initial(1K) / Sales(2K)

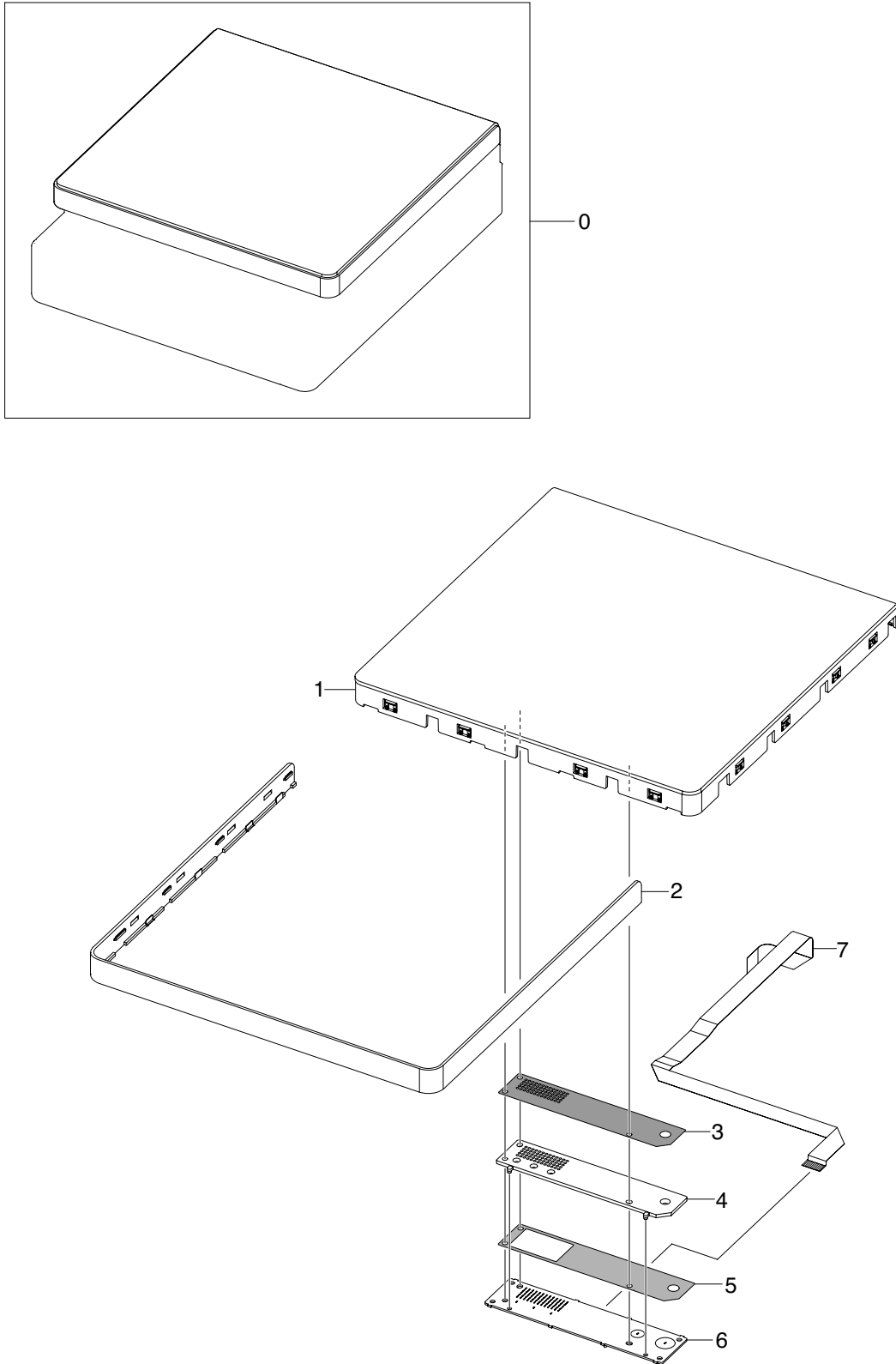
5.1 Main



Main Parts List

Drawer#	SEC_CODE	DESCRIPTION	QT'Y	Service	Remark
5.1-0	ML-1630	SET			
5.1-1	JC96-04657A	ELA UNIT-FRAME LOWER	1	Y	
5.1-2	JC66-01564A	LINK-UPPER	1	Y	
5.1-3	JC61-02178A	STUD-HINGE	2	Y	
5.1-4	6031-001602	WASHER-PLAIN	2	Y	
5.1-8	JC66-01218A	ROLLER-TRANSFER	1	Y	
5.1-10	JC92-01890A	PBA-MAIN	1	Y	
5.1-11	JC97-02978B	MEA UNIT-COVER LOWER	1	Y	
5.1-12	JC97-02990A	MEA UNIT-FEED LOWER	1	Y	
5.1-12-1	JC61-01980A	GUIDE-FEED LOWER	1	Y	
5.1-12-2	JC63-01385A	COVER-DUMMY REAR	1	Y	
5.1-12-3	JC66-01510A	ROLLER-IDLE	2	Y	
5.1-12-4	6107-001277	SPRING-ETC	2	Y	
5.1-13	JC96-04646A	ELA UNIT-FRAME UPPER	1	N	
5.1-14	JC96-04664A	ELA UNIT-COVER TOP	1	Y	
5.1-15	JC97-02933A	MEA UNIT-CASSETTE	1	Y	
5.1-16	JC96-04523C	CARTRIDGE-TONER	1	Y	
5.1-17	JC96-04623A	ELA UNIT LSU	1	Y	
5.1-18	JC63-00209A	WHITE-SHEET-SPONGE	1	Y	
5.1-19	JC99-02108A	INA-STACKER	1	Y	

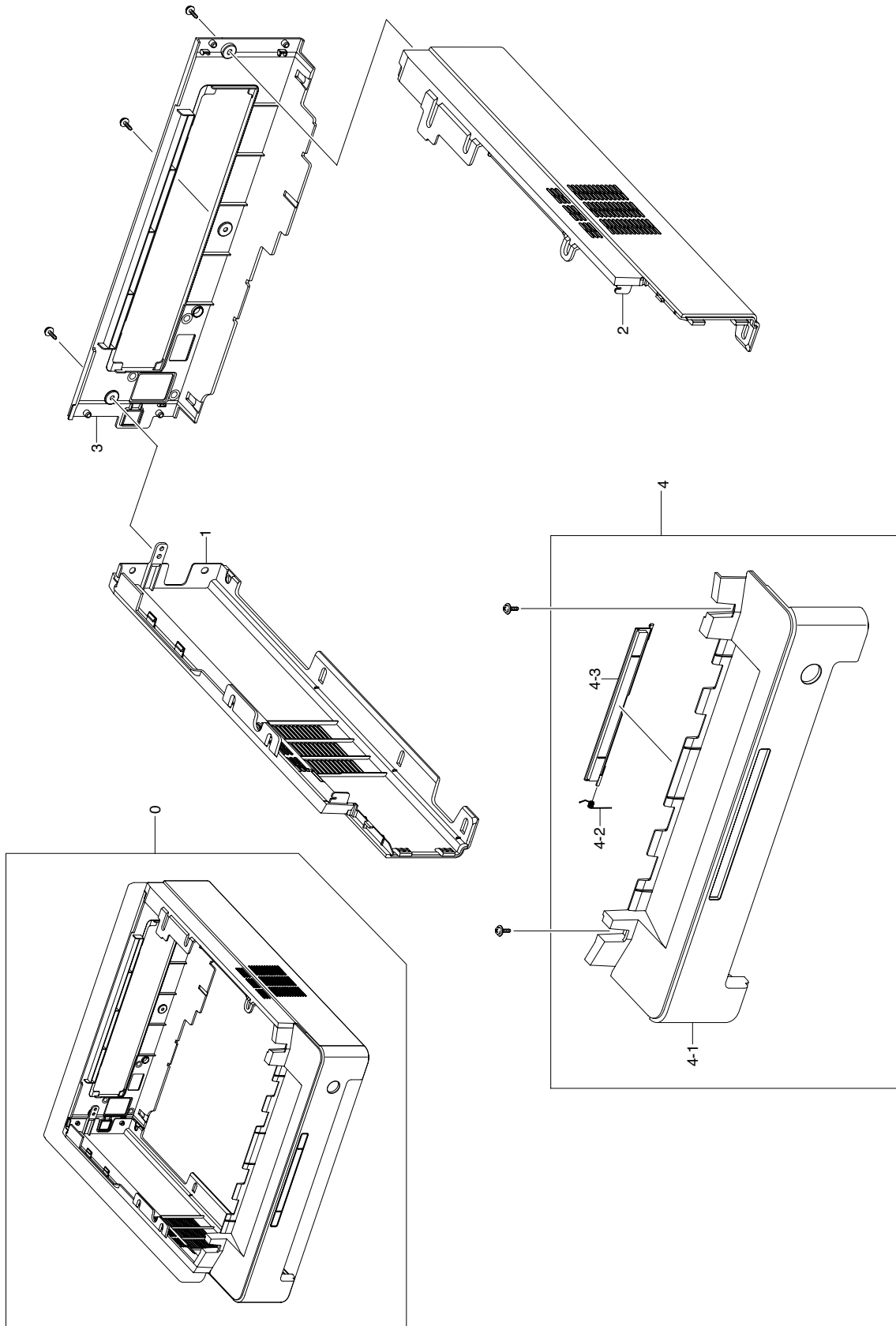
5.2 Cover Top



Cover Top Parts List

Drawer#	SEC_Code	Description	QT'y	Service	Remark
5.2-0	JC97-03064A	MEA-COVER_TOP	1	Y	
5.2-1	JC63-01354A	COVER-TOP	1	Y	
5.2-2	JC63-01355A	COVER-UPPER	1	Y	
5.2-3	JC63-01470A	SHEET-SUB DIFFUSION	1	Y	
5.2-4	JC61-01975A	HOLDER-LED SUB	1	Y	
5.2-5	0203-002249	TAPE-DOUBLE FACE	1	N	
5.2-6	JC92-01896A	PBA-OPE	1	Y	
5.2-7	JC39-00686A	HARNES-OPE_FFC	1	N	

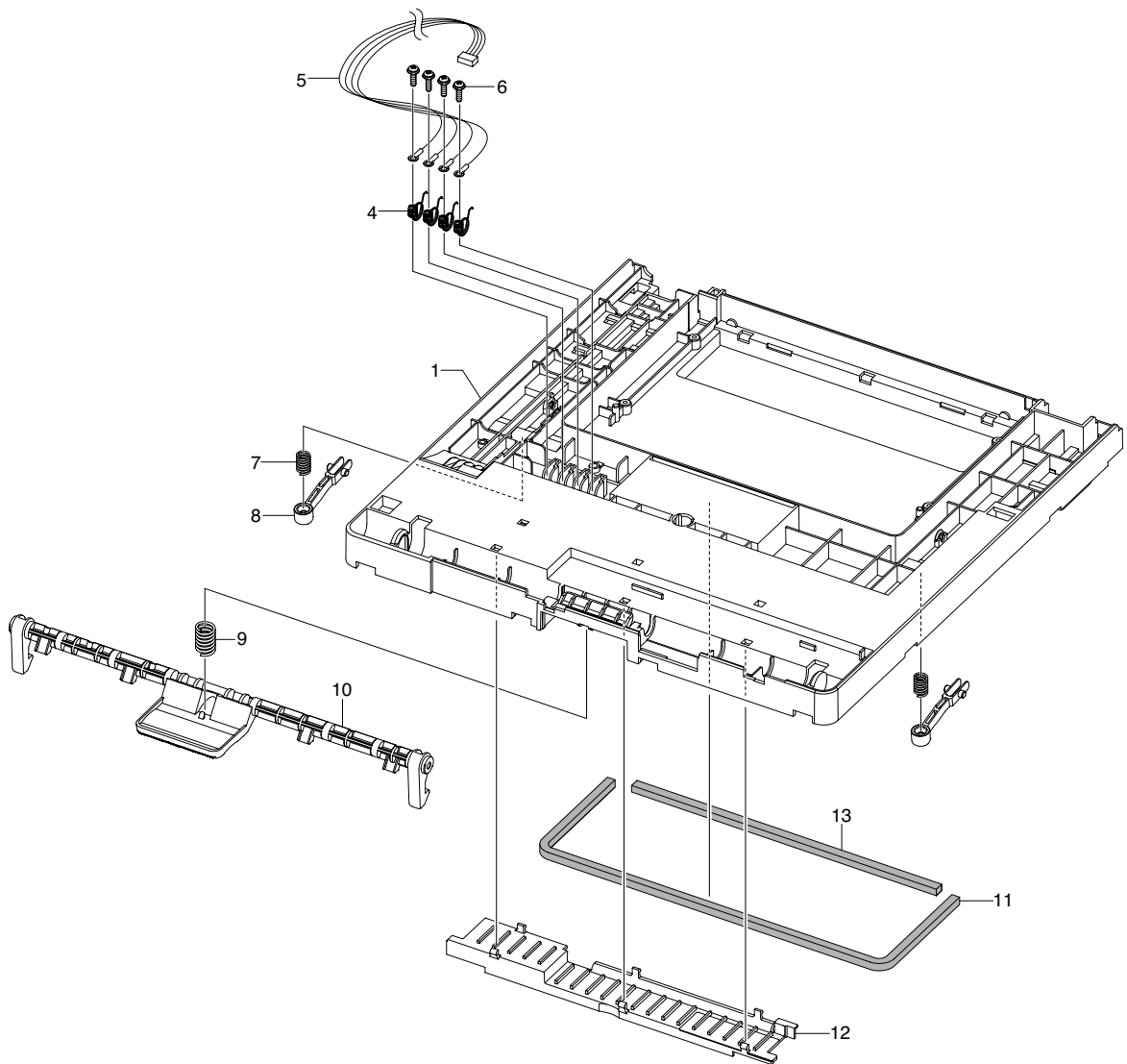
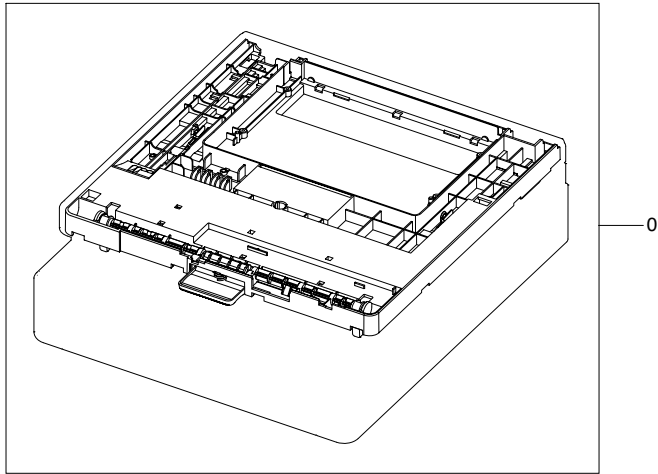
5.3 Cover Lower



Cover Lower Parts List

Drawer#	SEC_Code	Description	QT'y	Service	Remark
5.3-0	JC97-02978B	MEA UNIT-COVER LOWER	1	Y	
5.3-1	JC63-01383A	COVER LEFT	1	Y	
5.3-2	JC63-01384A	COVER RIGHT	1	Y	
5.3-3	JC63-01436A	COVER REAR	1	Y	
5.3-4	JC97-02979A	MEA UNIT-COVER FRONT	1	Y	
5.3-4-1	JC63-01382B	COVER-FRONT	1	Y	
5.3-4-2	JC61-00060A	SPRING ETC-TS BLADE	1	Y	
5.3-4-3	JC63-01434A	COVER DOOR STAKER	1	Y	

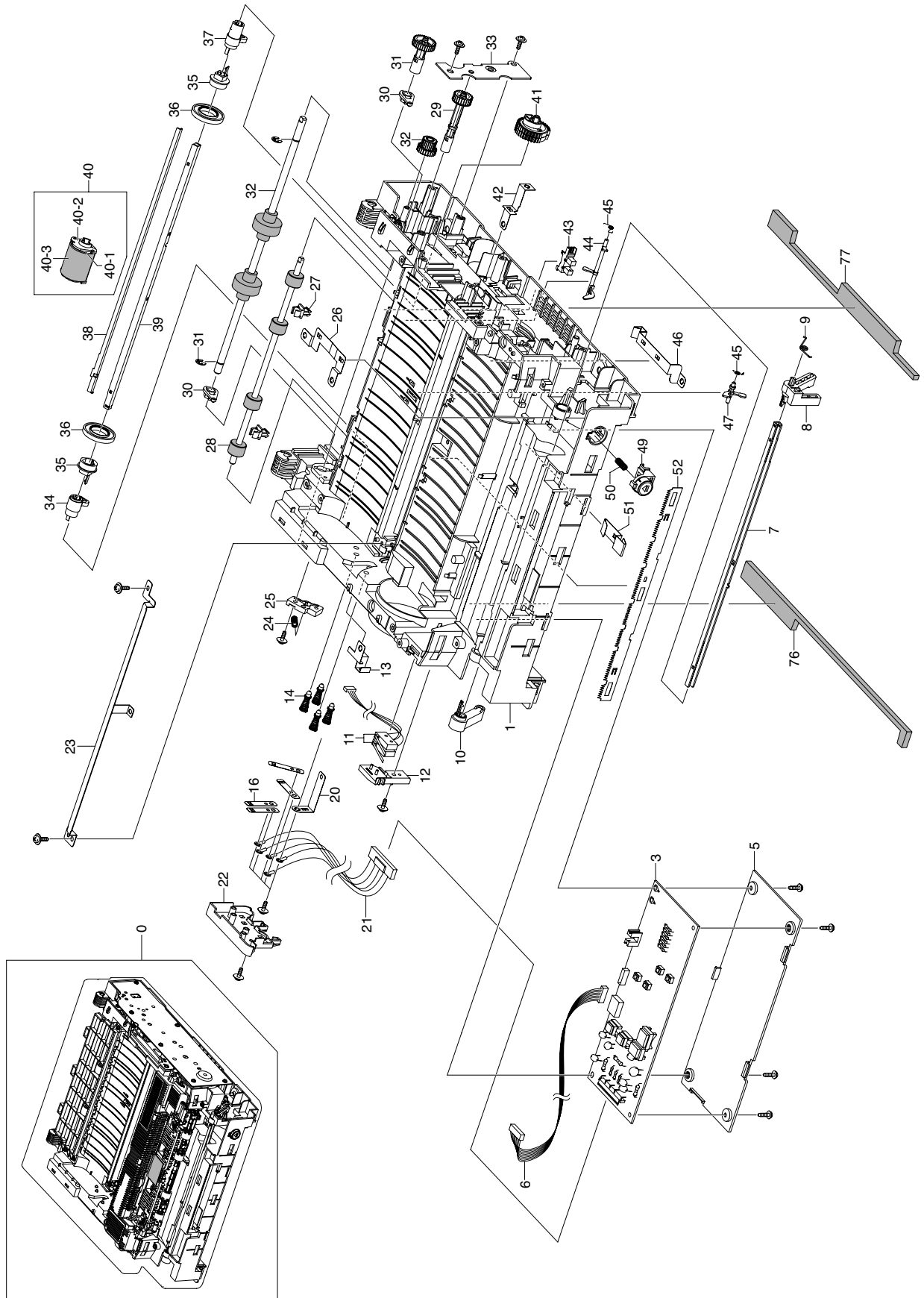
5.4 Frame Upper



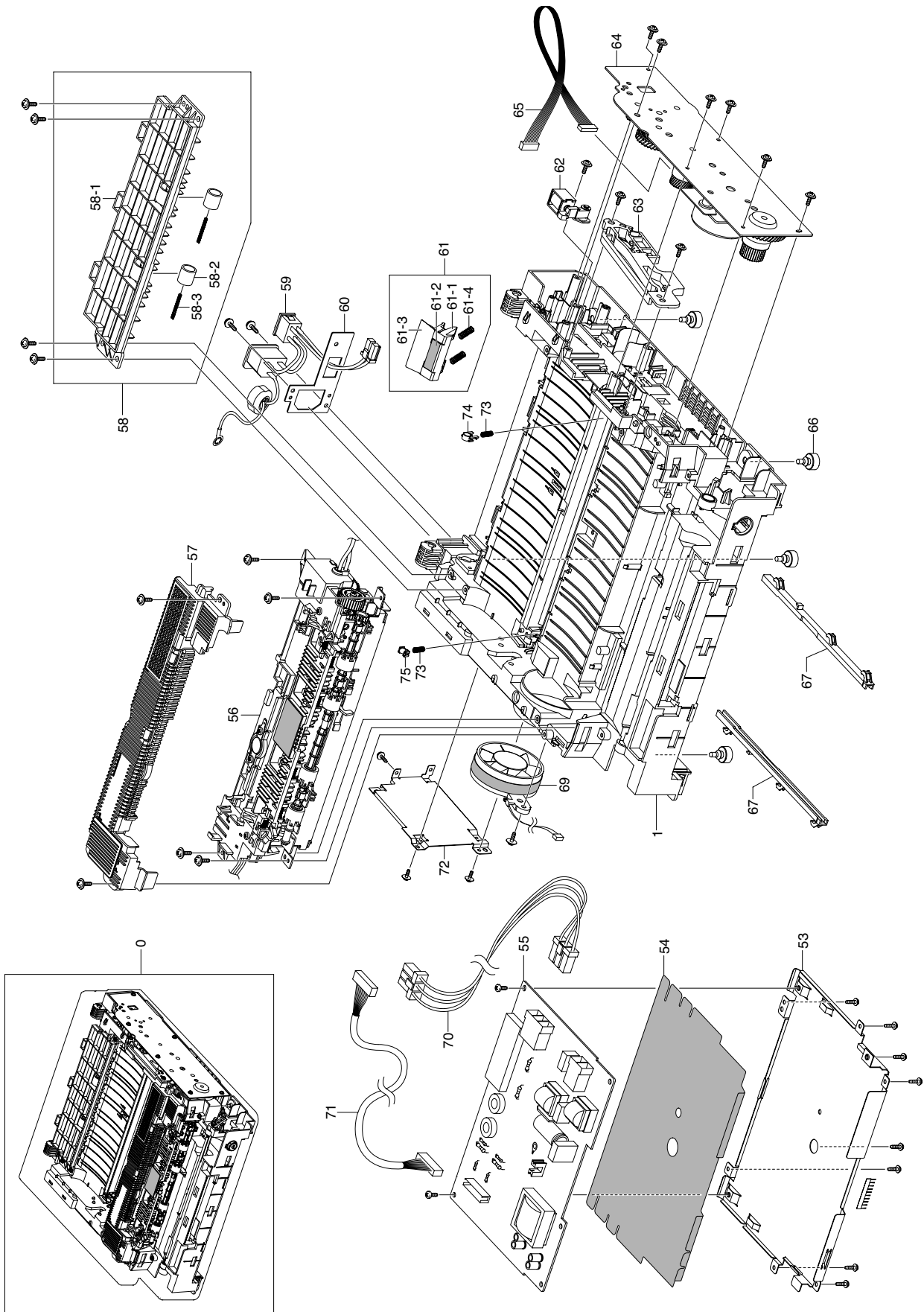
Frame Upper Parts List

Drawer#	SEC_Code	Description	QT'y	Service	Remark
5.4-0	JC96-04646A	ELA UNIT-FRAME UPPER	1	N	
5.4-1	JC61-02107A	FRAME BASE UPPER	1	Y	
5.4-4	JC65-00019A	TERMINAL CRUM	4	Y	
5.4-5	JC39-00761A	HARNESS-CRUM	1	Y	
5.4-6	6003-000282	SCREW-TAPTITE	4	Y	
5.4-7	JC61-70958A	SPRING ETC-GUIDE TR	2	Y	
5.4-8	JC61-02108A	PLATE GUIDE DEVE	1	Y	
5.4-9	JC61-70932A	SPRING ETC-GUIDE DEVE	1	Y	
5.4-10	JC66-01574A	LEVER HANDLE UPPER	1	Y	
5.4-11	JC62-00417A	SEAL-LSU	1	Y	
5.4-12	JC63-01444A	COVER DUMMY EXTRA	1	Y	
5.4-13	JC62-00464A	SEAL-LSU REAR	1	Y	

5.5 Frame Lower1



Frame Lower2



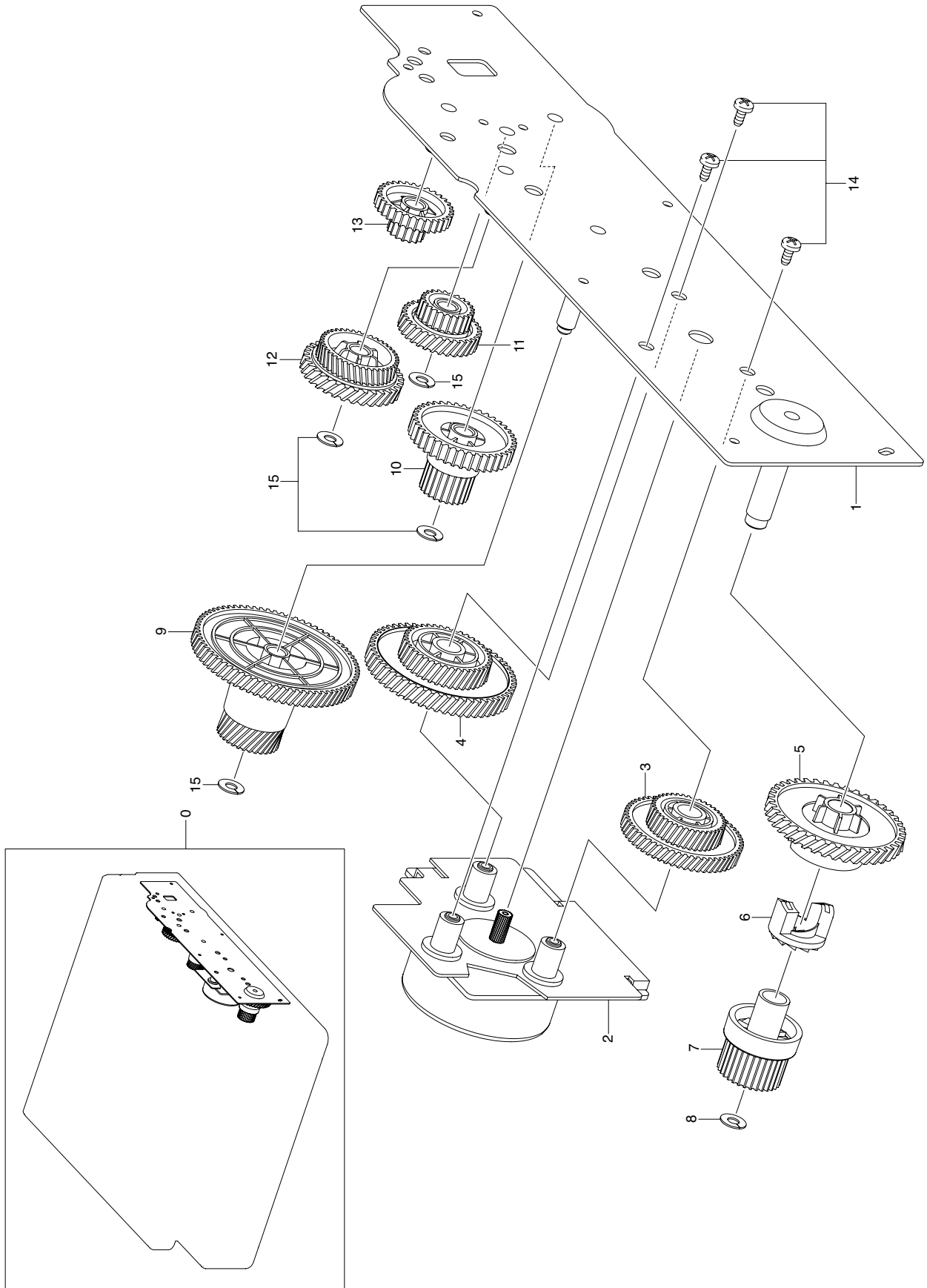
Frame Lower Parts List

Drawer#	SEC_Code	Description	QT'y	Service	Remark
5.5-0	JC96-04657A	ELA UNIT-FRAME LOWER	1	Y	
5.5-1	JC61-02113A	FRAME-BASE LOWER	1	Y	
5.5-3	JC44-00146A	HVPS	1	Y	
5.5-5	JC63-01372A	COVER-HVPS	1	Y	
5.5-6	JC39-00676A	HARNESS-HVPS	1	Y	
5.5-7	JC66-00829A	SHAFT-P-PICK_UP	1	Y	
5.5-8	JC66-01544A	LEVER-CASSETTE ROCK	1	Y	
5.5-9	6107-001170	SPRING-TS	1	Y	
5.5-10	JC66-01573A	LEVER-CASSETTE GUIDE	1	Y	
5.5-11	JC39-00677A	HARNESS-COVER	1	Y	
5.5-12	JC61-02009A	HOLDER-SWITCH	1	Y	
5.5-13	JC63-01437A	GROUND-MAIN	1	Y	
5.5-14	JC75-00049A	MEC-TERMINAL	4	Y	
5.5-16	JC65-00024A	TERMINAL-HV	4	Y	
5.5-20	JC63-01415A	GROUND-P THV	1	Y	
5.5-21	JC39-00676A	HARNESS-HVPS	1	Y	
5.5-22	JC61-02109A	HOUSING-TERMINAL	1	Y	
5.5-23	JC61-02130A	GUIDE-EARTH TRNASFER	1	Y	
5.5-24	JC61-70932A	SPRING ETC-GUIDE DEVE	1	Y	
5.5-25	JC61-01548A	HOLDER-M-CAM	1	Y	
5.5-26	JC63-01416A	GROUND-HVPS	1	Y	
5.5-27	JC72-00382B	PMO-BUSHING FEED	2	Y	
5.5-28	JC66-00526A	ROLLER-FEED ROLLER 1	1	Y	
5.5-29	JC66-01439A	GEAR-REGI	1	Y	
5.5-30	JC72-41191B	PMO-BEARING SHAFT	1	Y	
5.5-31	JC66-01435A	GEAR-FEED	1	Y	
5.5-32	JC66-01436A	GEAR-DRV FEED	1	Y	
5.5-33	JC61-01967A	BRACKET_FEED	1	Y	
5.5-34	JC66-01469A	CAM-PICKUP L	1	Y	
5.5-35	JC61-01713A	STOPPER-PICK_UP R	2	Y	
5.5-36	JC66-01509A	ROLLER-PICKUP IDLE	2	Y	
5.5-37	JC66-01468A	CAM-PICKUP R	1	Y	
5.5-38	JC61-01281A	BRACKET-P-BAR_PICK_UP	1	Y	
5.5-39	JC66-00829A	SHAFT-P-PICK_UP	1	Y	
5.5-40	JC97-02982A	MEA UNIT-ROLLER PICKUP	1	Y	
5.5-40-1	JC61-00909A	HOUSING-M-PICK UP_R2	1	Y	
5.5-40-2	JC61-02079A	HOUSING-PICKUP B	1	Y	
5.5-40-3	JC72-01231A	SPONGE-ROLLER PICK_UP	1	Y	
5.5-41	JC97-02957A	MEA UNIT-GEAR PICKUP	1	Y	
5.5-42	JC63-01414A	GROUND DRIVE	1	Y	
5.5-43	0604-001095	PHOTO INTERRUPTER	1	Y	
5.5-44	JC66-01541A	ATUATOR EMPTY	1	Y	
5.5-45	6107-001164	SPRING TS	2	Y	

Frame Lower Parts List

Drawer#	SEC_Code	Description	QT'y	Service	Remark
5.5-46	JC63-01413A	GROUND-SAW	1	Y	
5.5-47	JC66-01542A	ACTUATOR-FEED	1	Y	
5.5-49	JC64-00332A	BUTTON-CASSETTE	1	Y	
5.5-50	JC61-70940A	SPRING ETC-TR(12)	1	Y	
5.5-51	JC63-01417A	GROUND-FUSER	1	Y	
5.5-52	JC70-10232A	IPR-PLATE SAW	1	Y	
5.5-53	JC63-01420A	SHIELD-SMPS	1	Y	
5.5-54	JC63-01411A	SHEET-SMPS	1	Y	
5.5-55	JC44-00148A	SMPS-V2	1	Y	
5.5-56	JC96-04653A	ELA HOU-FUSER	1	Y	
5.5-57	JC63-01385A	COVER-DUMMY REAR	1	Y	
5.5-58	JC97-02939A	MEA UNIT-FEED UPPER	1	Y	
5.5-58-1	JC61-01979A	GUIDE-FEED UPPER	1	Y	
5.5-58-2	JC66-01510A	ROLLER-IDLE	2	Y	
5.5-58-3	6107-001277	SPRING-ETC	2	Y	
5.5-59	JC39-00685A	HARNESS-INLET	1	Y	
5.5-60	JC61-02114A	BRACKET-REAR	1	Y	
5.5-61	JC97-02937A	MEA UNIT-HOLDER PICKUP	1	Y	
5.5-61-1	JC69-00987A	PAD-FRICTION	1	Y	
5.5-61-2	JC61-02076A	HOLDER-PAD	1	Y	
5.5-61-3	JC63-00290A	SHEET-HOLDER PAD	1	Y	
5.5-61-4	JC61-70911A	SPRING ETC-EXIT ROLL FD	2	Y	
5.5-62	JC96-04622A	ELA UNIT-SOLENOID	1	Y	
5.5-63	JC66-01575A	LINK-RAIL UPPER	1	Y	
5.5-64	JC96-04715A	ELA UNIT DRIVE	1	Y	
5.5-65	JC39-00679A	HARNESS-MOTOR	1	Y	
5.5-66	JC61-40001A	FOOT-ML 80	4	Y	
5.5-67	JC61-02110A	GUIDE-CASSETTE RAIL	1	Y	
5.5-69	JC31-00089A	FAN-DC_HAWK	1	Y	
5.5-70	JC39-00737A	HARNESS-FUSER	1	Y	
5.5-71	JC39-00697A	HARNESS-MAN	1	Y	
5.5-72	JC63-01423A	SHIELD-MAIN	1	Y	
5.5-73	JC61-70940A	SPRING ETC-TR(12)	2	Y	
5.5-74	JC61-00588A	BUSH-M-TRL	1	Y	
5.5-75	JC72-00102A	PMO-BUSHING_TR(L)	1	Y	
5.5-76	JC72-01418A	SPONGE-LEFT	1	Y	
5.5-77	JC72-01419A	SPONGE-RIGHT	1	Y	

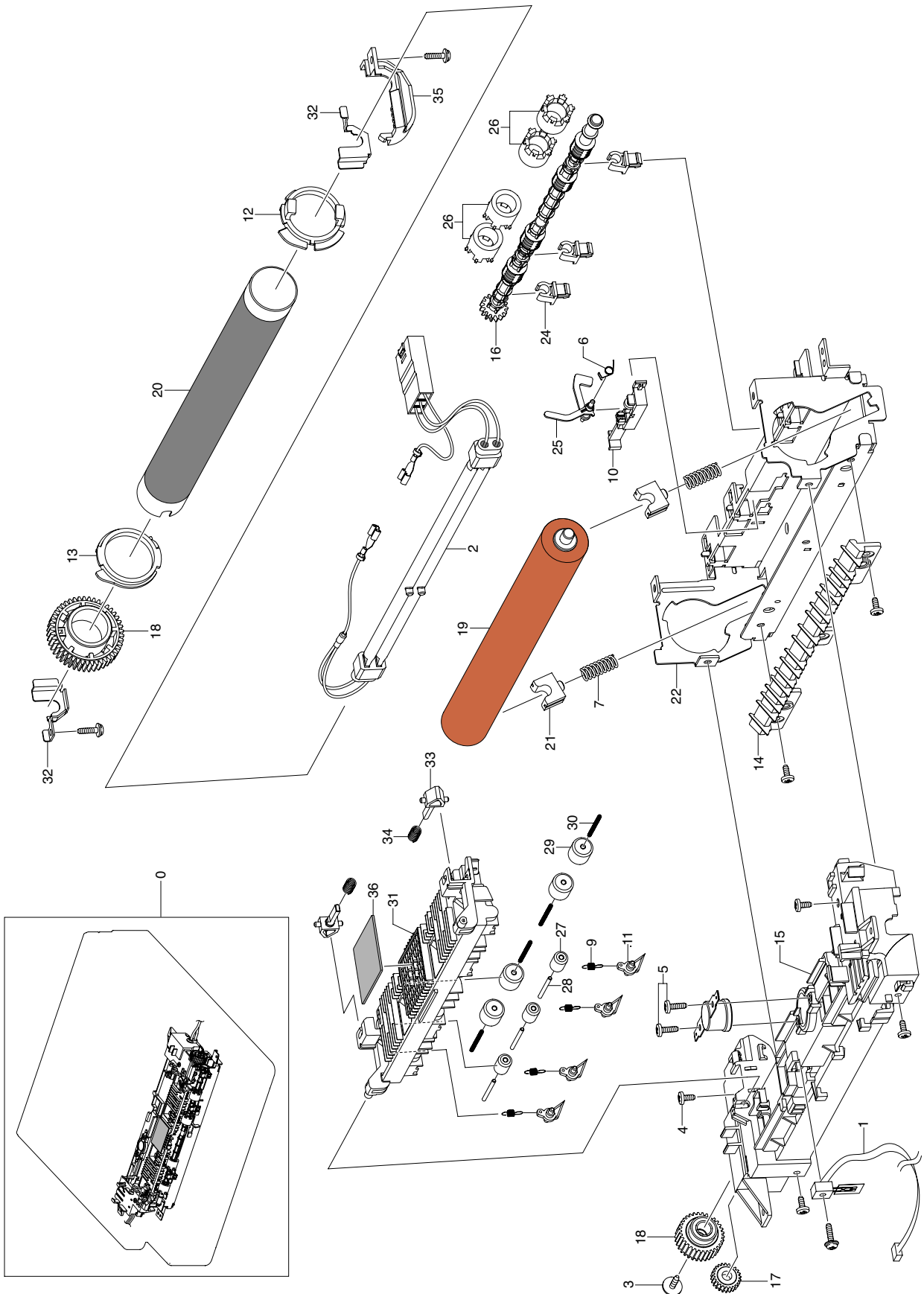
5.6 Main Drive



Main Drive Parts List

Drawer#	SEC_Code	Description	QT'y	Service	Remark
5.6-0	JC96-04715A	ELA UNIT DRIVE	1	Y	
5.6-1	JC61-01968A	BRACKET GEAR	1	Y	
5.6-2	JC31-00079A	BLDC-MOTOR	1	Y	
5.6-3	JC66-01445A	GEAR RDCN FUSER	1	Y	
5.6-4	JC66-01444A	GEAR RDCN OPC	1	Y	
5.6-5	JC66-01441A	GEAR DRV FUSER OUT	1	Y	
5.6-6	JC66-00340A	GEAR HUB CLUTCH	1	Y	
5.6-7	JC66-01800A	GEAR_DRV FUSER IN	1	Y	
5.6-8	6031-000023	WASHER-PLAIN	4	Y	
5.6-9	JC66-01440A	GEAR DRV OPC	1	Y	
5.6-10	JC66-01443A	GEAR DRIVE PICK UP	1	Y	
5.6-11	JC66-01447A	GEAR RDCN FEED B	1	Y	
5.6-12	JC66-01446A	GEAR RDCN FEED A	1	Y	
5.6-13	JC66-01442A	GEAR DRV REGI	1	Y	
5.6-14	6001-000130	SCREW MACHINE	3	Y	
5.6-15	6031-001602	WHSHER-PLAIN	4	Y	

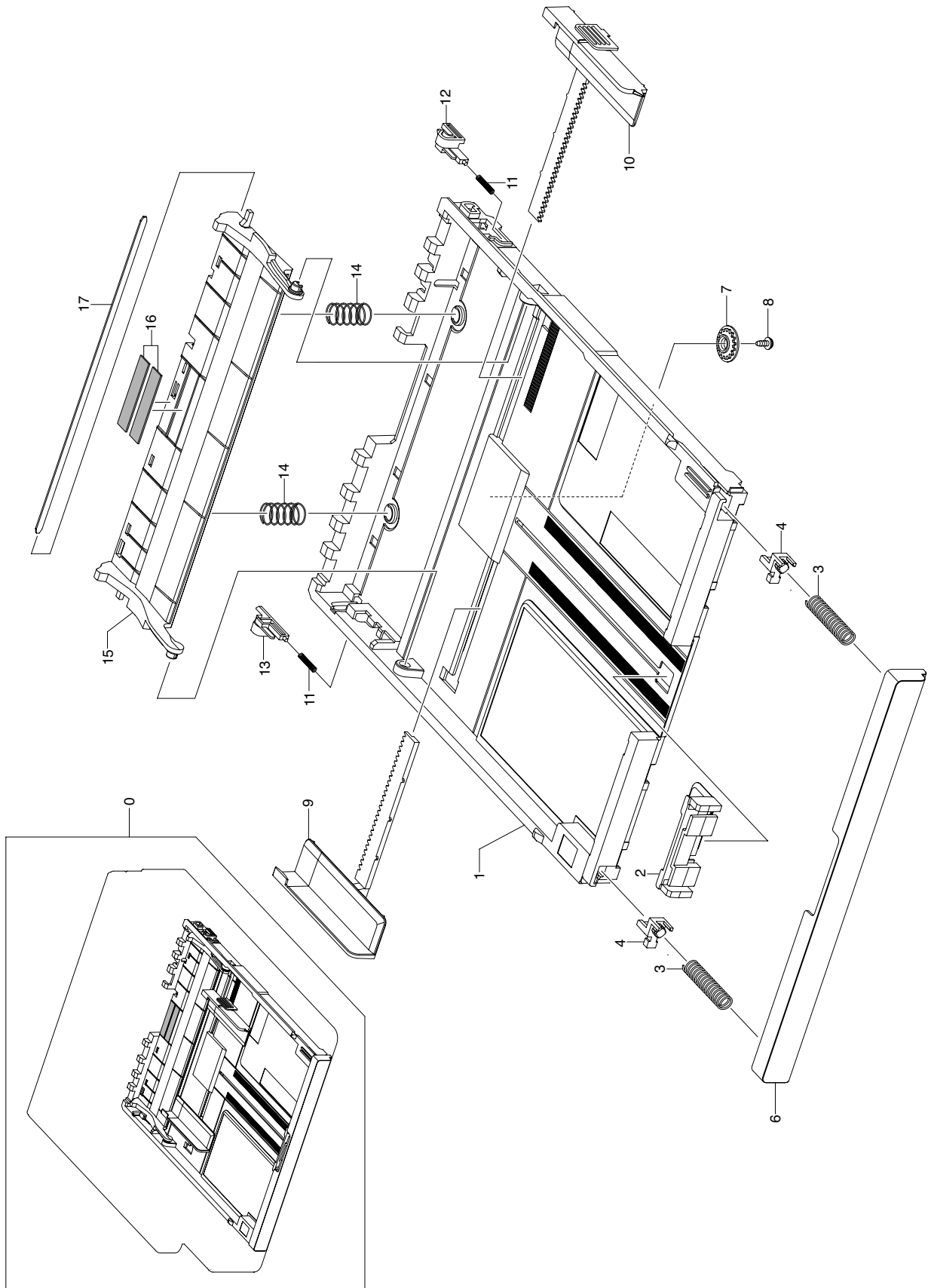
5.7 Fuser



Fuser Parts List

Drawer#	SEC_Code	Description	QT'y	Service	Remark
5.7-0	JC96-04653A	ELA HOU-FUSER	1	Y	
5.7-1	1404-001427	THERMISTOR-NTC ASSY	1	Y	
5.7-2	4713-001227	LAMP-HALOGEN	1	Y	
5.7-3	6006-001078	SCREW-TAPTITE	1	Y	
5.7-4	6003-000269	SCREW-TAPTITE	1	Y	
5.7-5	6003-000282	SCREW-TAPTITE	2	Y	
5.7-6	6107-001165	SPRING-TS	1	Y	
5.7-7	JC61-00056A	SPRING ETC-PR(7300)	2	Y	
5.7-8	JC66-01254A	GEAR-FUSER	1	Y	
5.7-9	JC61-00064A	SPRING ETC-CLAW	1	Y	
5.7-10	JC61-02010A	HOLDER-ACTUATOR	1	Y	
5.7-11	JC61-02184A	GUIDE-CLAW PI	4	Y	
5.7-12	JC61-00887A	BUSH-M-HR R_R2	1	Y	
5.7-13	JC61-00888A	BUSH-M-HR L_R2	1	Y	
5.7-14	JC61-02450A	GUIDE-INPUT	1	Y	
5.7-15	JC63-01431A	COVER-FUSER	1	Y	
5.7-16	JC66-00380A	ROLLER-M-EXIT F/UP	1	Y	
5.7-17	JC72-00143A	PMO-GEAR_EXIT_DRV16	1	Y	
5.7-18	JC66-01254A	GEAR-FUSER	1	Y	
5.7-19	JC66-00600A	ROLLER-PRESSURE	1	Y	
5.7-20	JC66-01531A	ROLLER-HEAT	1	Y	
5.7-21	JC66-10901A	BUSH	2	Y	
5.7-22	JC61-02137A	FRAME-FUSER	1	Y	
5.7-23	4712-001027	THERMOSTAT	1	Y	
5.7-24	JC72-00382A	PMO-BUSHING TX	3	Y	
5.7-25	JC66-01533A	ACTUATOR-EXIT	1	Y	
5.7-26	JC73-00255A	RUBBER-EXIT F/UP	4	Y	
5.7-27	JC66-01312B	ROLLER-IDLE	1	Y	
5.7-28	JC70-00064A	IPR-PIN ROLLER EXIT	1	Y	
5.7-29	JC72-20902B	PEX-ROLLER F/UP(2)	1	Y	
5.7-30	6107-001347	SPRING-ETC	4	Y	
5.7-31	JC61-02129A	GUIDE-EXIT	1	Y	
5.7-32	JC61-02012A	HOLDER-LAMP	1	Y	
5.7-33	JC67-00111A	CAP-M_ACTUATOR_UP	2	Y	
5.7-34	6107-001346	SPRING-CS	2	Y	
5.7-35	JC63-01446A	COVER-LAMP	1	Y	
5.7-36	JC63-01739A	FELT-FUSER	1	Y	

5.8 Cassette



Cassette Parts List

Drawer#	SEC_Code	Description	QT'y	Service	Remark
5.8-0	JC97-02933A	MEA UNIT-CASSETTE	1	Y	
5.8-1	JC61-02081A	FRAME-CST	1	Y	
5.8-2	JC61-02126A	GUIDE-REAR	1	Y	
5.8-3	6107-001350	SPRING-CS	2	Y	
5.8-4	JC61-02111A	GUIDE-CASSETTE LOCK	2	Y	
5.8-6	JC63-01432A	COVER-CASSETTE	1	Y	
5.8-7	JG66-40003A	GEAR-PINION	1	Y	
5.8-8	6003-000264	SCREW-TAPTITE	1	Y	
5.8-9	JC61-02124A	GUIDE-SIDE L	1	Y	
5.8-10	JC61-02125A	GUIDE-SIDE R	1	Y	
5.8-11	JG61-70531A	SPRING ETC-LOCKER,PLATE	2	Y	
5.8-12	JC61-02128A	GUIDE-KNOCKUP R	1	Y	
5.8-13	JC61-02127A	GUIDE-KNOCKUP L	1	Y	
5.8-14	6107-001349	SPRING-CS	2	Y	
5.8-15	JC61-02080A	PLATE-KNOCKUP	1	Y	
5.8-16	JC73-00141A	RPR-PAD CASSETTE	2	Y	
5.8-17	JC66-00720A	SHAFT-P-CORE	1	Y	