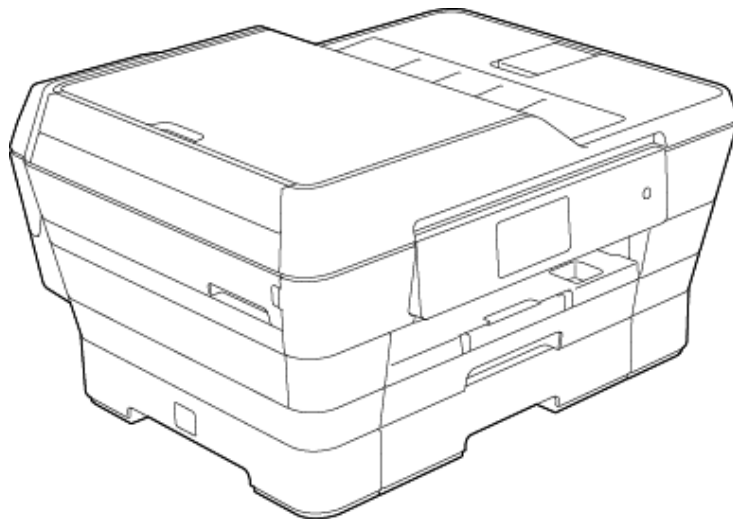




Inkjet MFC

PARTS REFERENCE LIST

**MODEL: MFC-J3720/J6520DW/
J6720DW/J6920DW**



Read this list thoroughly before maintenance work.

Keep this list in a convenient place for quick and easy reference at all times.

NOTE FOR USING THIS PARTS REFERENCE LIST

1. In the case of ordering parts, it is necessary to mention the following items;

- (1) Code
- (2) Q'ty
- (3) Description

Note: Orders without Parts Code or Tool No. can not be accepted.

< Example >

| REF.NO. | (1) CODE | (2) Q'TY | (3) DESCRIPTION | REMARK |
|---------|-------------|-------------|--------------------|--------|
| | | | | |

2. Design-changed parts :

If any of the parts is changed, one of the following symbols is indicated in the REMARK column.

CHG(chg) : The parts is changed to a new parts.

ADD(add) : The parts is newly added.

DEL(del) : The parts is deleted.

Symbol in capital letters indicates the latest parts change information in the page.

3. Parts change will be informed by the Parts change information.

4. Parts are subject to change in design without prior notice.

COUNTRIES AND AREAS

US ---- U.S.A.

CAN ---- CANADA

GER ---- GERMANY

UK ---- UNITED KINGDOM

FRA ---- FRANCE

BEL ---- BELGIUM

NLD ---- NETHERLANDS

CHE ---- SWITZERLAND

ITA ---- ITALY

ASA ---- ASIA (SINGAPORE/GULF)

OCE ---- OCEANIA (AUSTRALIA/NEW ZEALAND)

PND ---- PAN NORDIC

(NORWAY/FINLAND/DENMARK/SWEDEN)

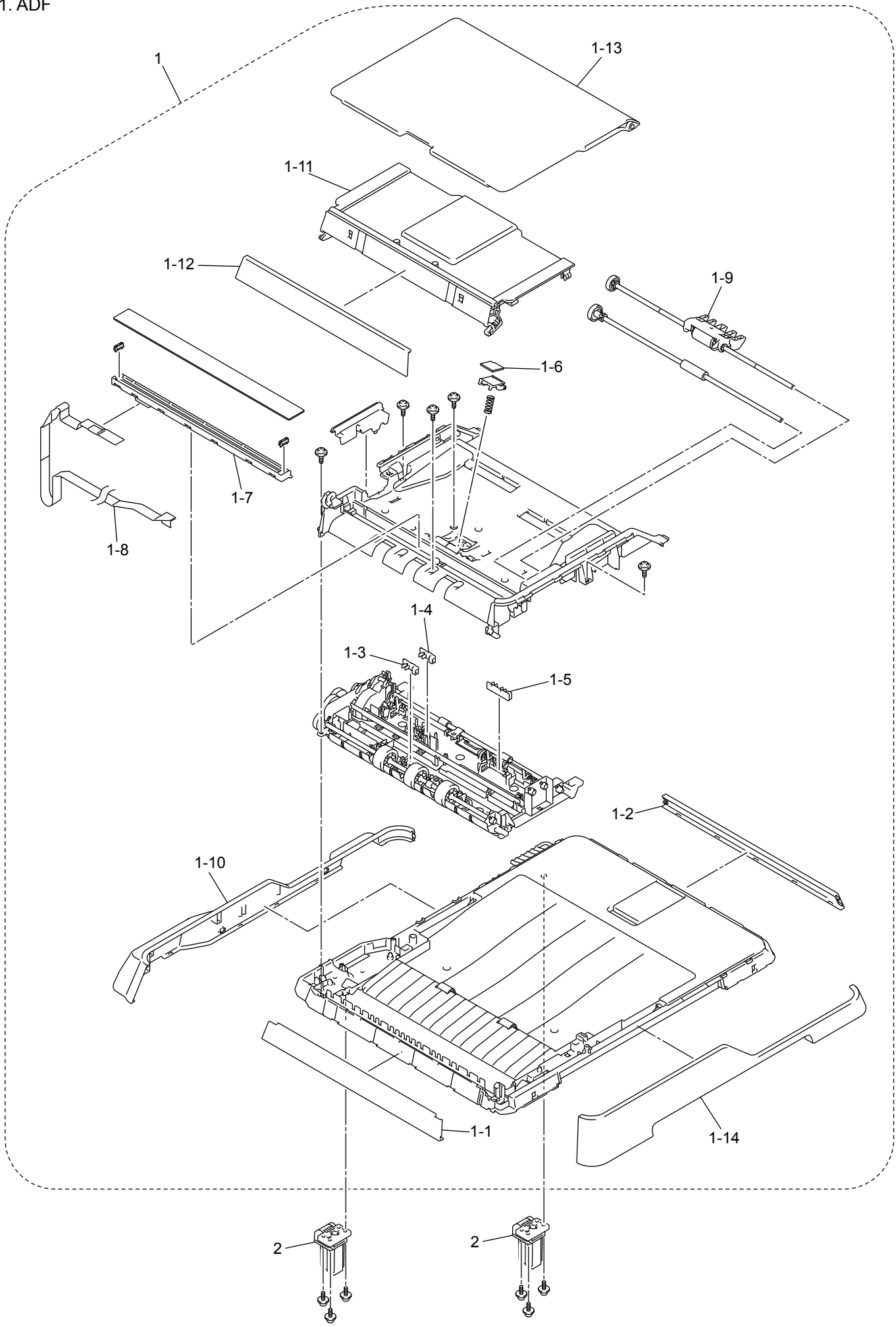
IBR ---- IBERIA (SPAIN/PORTUGAL)

CEE ---- CEE GENERAL

CONTENTS

| | | |
|-----|----------------------------------|----|
| 1. | <u>ADF</u> | 1 |
| 2. | <u>DOCUMENT SCANNER</u> | 3 |
| 3. | <u>CARTRIDGE CASE</u> | 5 |
| 4. | <u>ENGINE</u> | 7 |
| 5. | <u>HEAD</u> | 9 |
| 6. | <u>PAPER TRAY</u> | 11 |
| 7. | <u>LOWER TRAY</u> | 13 |
| 8. | <u>COVERS & LABELS</u> | 15 |
| 9. | <u>PANEL</u> | 17 |
| 10. | <u>PCB</u> | 19 |
| 11. | <u>ACCESSORIES</u> | 21 |
| 12. | <u>PRINTED MATERIALS</u> | 23 |
| 13. | <u>PACKING MATERIALS</u> | 25 |
| 14. | <u>OTHERS</u> | 27 |

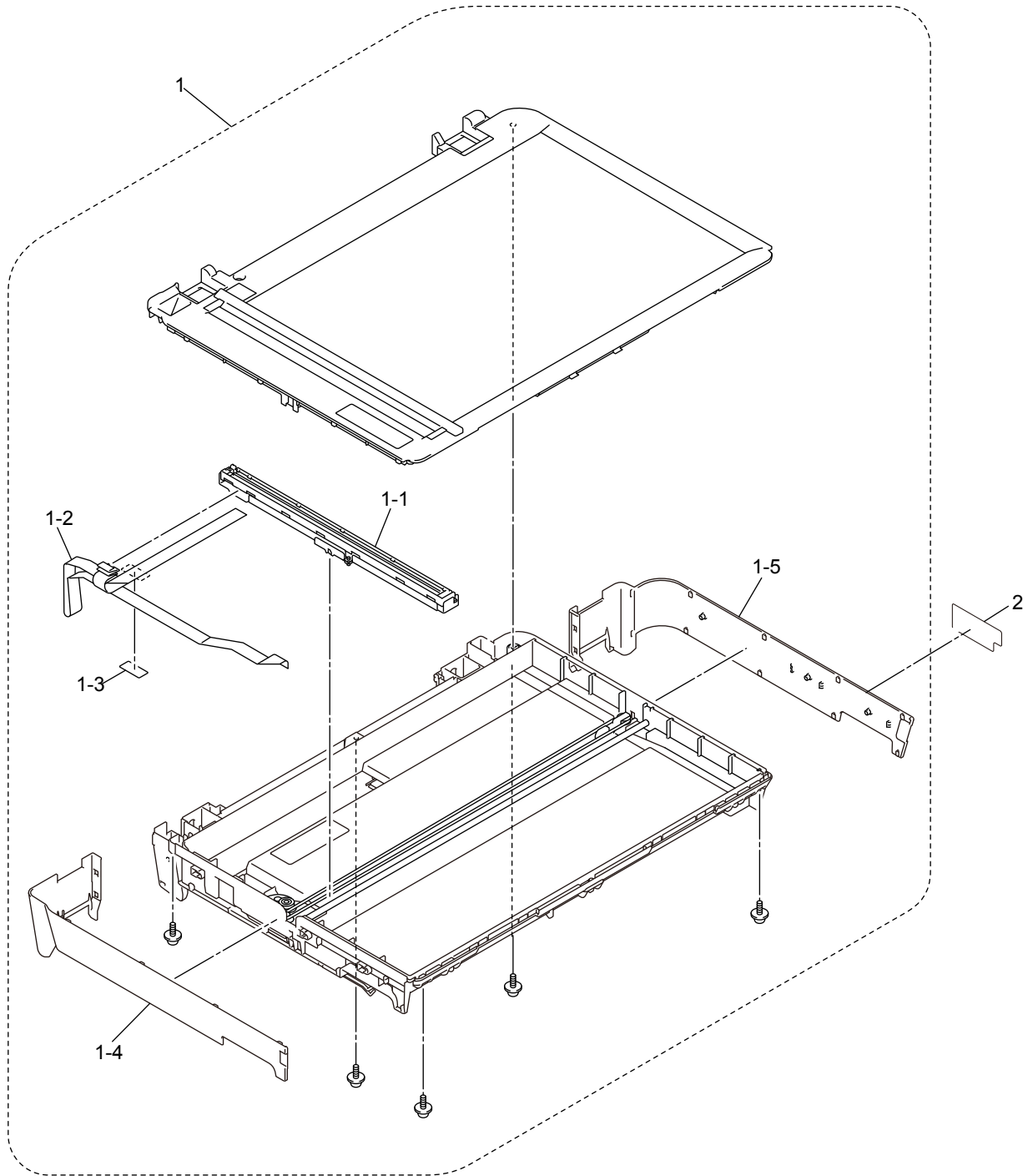
1. ADF



1. ADF

| REF No. | CODE | Q'TY | DESCRIPTION | REMARKS |
|---------|-----------|------|--|---------|
| 1 | LEL762001 | 1 | ADF UNIT (SP), MFC-J3720/J6520DW/J6720DW | |
| 1 | LEL763001 | 1 | ADF UNIT (SP), MFC-J6920DW | |
| 1-1 | LEK006022 | 1 | DOCUMENT COVER L PANEL | |
| 1-2 | LEK007022 | 1 | DOCUMENT COVER R PANEL | |
| 1-3 | LG6753001 | 1 | FIRST SIDE DOCUMENT SCANNING POSITION SENSOR PCB | |
| 1-4 | LG6753001 | 1 | SECOND SIDE DOCUMENT SCANNING POSITION SENSOR PCB, MFC-J6920DW | |
| 1-5 | LT2519001 | 1 | DOCUMENT DETECTION SENSOR / DOCUMENT WIDTH SENSOR PCB | |
| 1-6 | LX3833001 | 1 | ADF SEPARATION PAD | |
| 1-7 | LT2521001 | 1 | SECOND SIDE CIS UNIT, MFC-J6920DW | |
| 1-8 | LEK994001 | 1 | SECOND SIDE CIS FLAT CABLE, MFC-J6920DW | |
| 1-9 | LEK031001 | 1 | DOCUMENT SEPARATE ROLLER ASSY | |
| 1-10 | LEK032022 | 1 | ADF BACK COVER | |
| 1-11 | LEK074001 | 1 | ADF COVER ASSY, MFC-J3720/J6520DW/J6720DW | |
| 1-11 | LEK034001 | 1 | ADF COVER ASSY, MFC-J6920DW | |
| 1-12 | LEK037022 | 1 | ADF COVER PANEL | |
| 1-13 | LEK038007 | 1 | ADF DOCUMENT SUPPORT | |
| 1-14 | LEK039022 | 1 | FRONT COVER | |
| 2 | LEK040001 | 2 | ADF HINGE | |

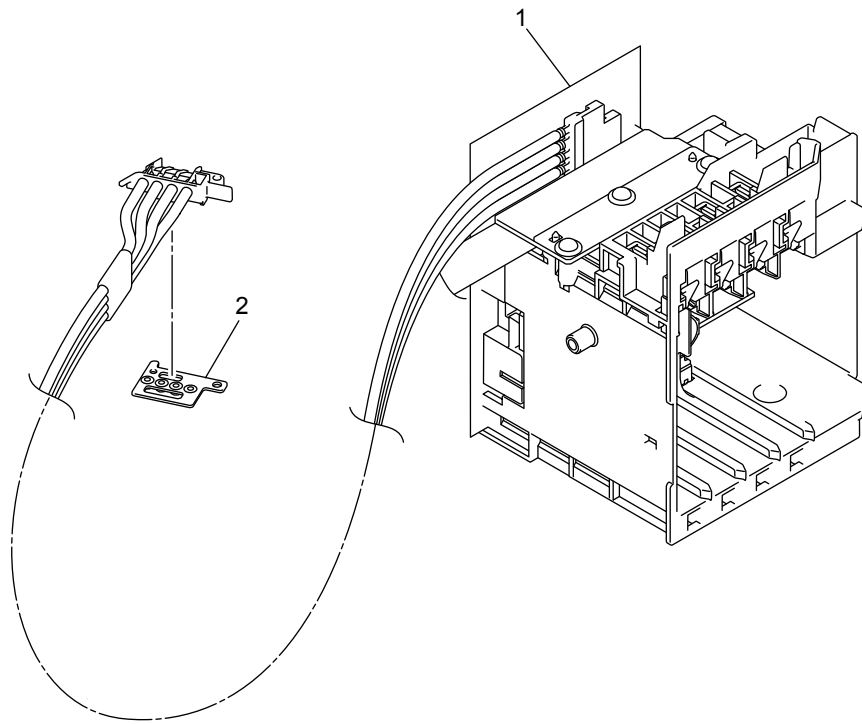
2. DOCUMENT SCANNER



2. DOCUMENT SCANNER

| REF No. | CODE | Q'TY | DESCRIPTION | REMARKS |
|---------|-----------|------|---|---------|
| 1 | LEL770001 | 1 | DOCUMENT SCANNER UNIT (SP), MFC-J3720/J6520DW/J6720DW | |
| 1 | LEL774001 | 1 | DOCUMENT SCANNER UNIT (SP), MFC-J6920DW | |
| 1-1 | LT2525001 | 1 | FIRST SIDE CIS UNIT | |
| 1-2 | LT2526001 | 1 | FIRST SIDE CIS FLAT CABLE | |
| 1-3 | LX7136001 | 1 | FFC FILM | |
| 1-4 | LEK064022 | 1 | DOCUMENT SCANNER SIDE COVER L | |
| 1-5 | LEK065022 | 1 | DOCUMENT SCANNER SIDE COVER R | |
| 2 | LEK808001 | 1 | USER ACCESS PORT LABEL | |

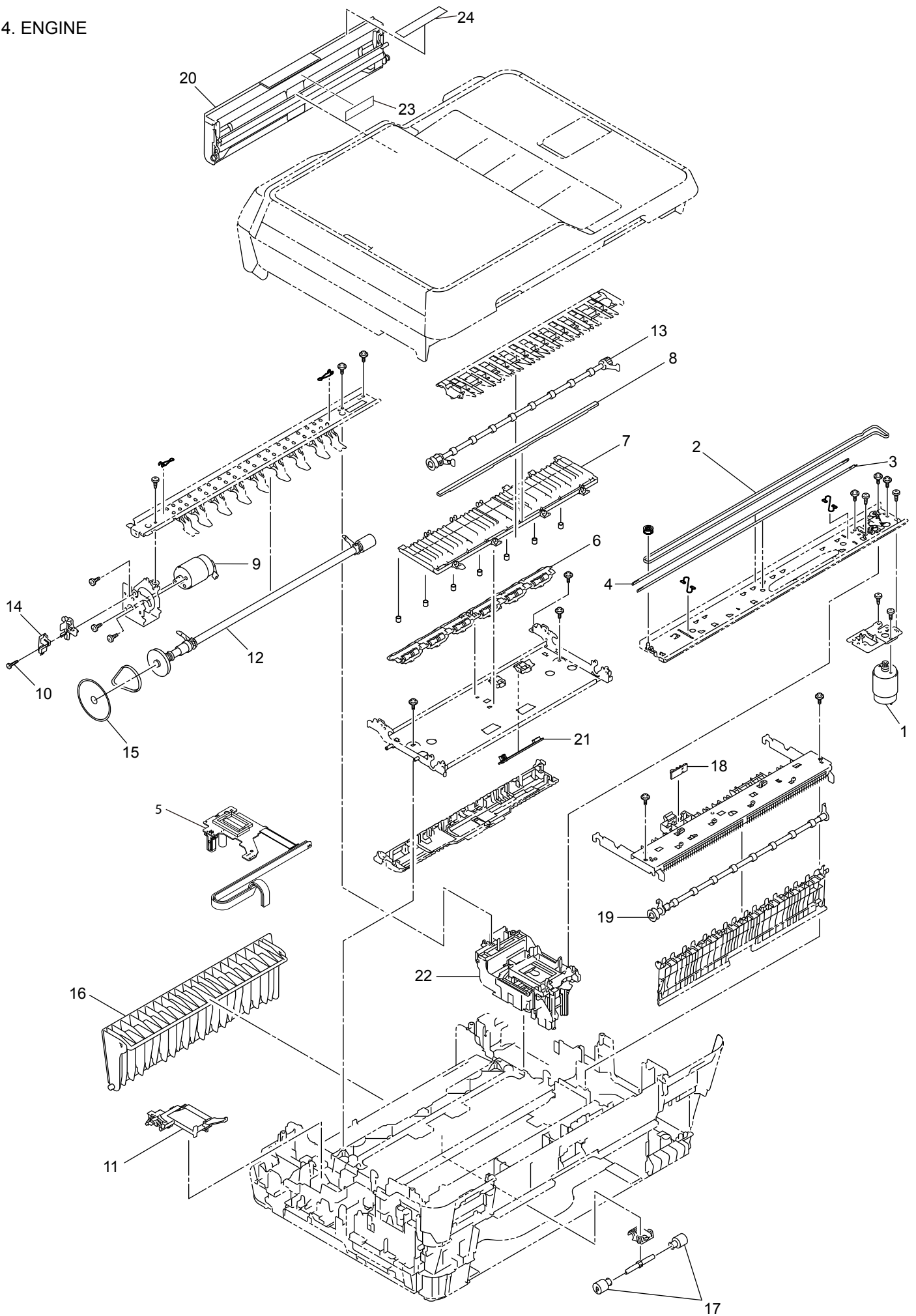
3. CARTRIDGE CASE



3. CARTRIDGE CASE

| REF No. | CODE | Q'TY | DESCRIPTION | REMARKS |
|---------|-----------|------|---|---------|
| 1 | LEL519001 | 1 | INK REFILL ASSY (SP), MFC-J6520DW/J6720DW/J6920DW | |
| 1 | LET167001 | 1 | INK REFILL ASSY (SP), MFC-J3720 FOR ASA | |
| 2 | LEE059001 | 1 | HEAD JOINT RUBBR (SP) | |

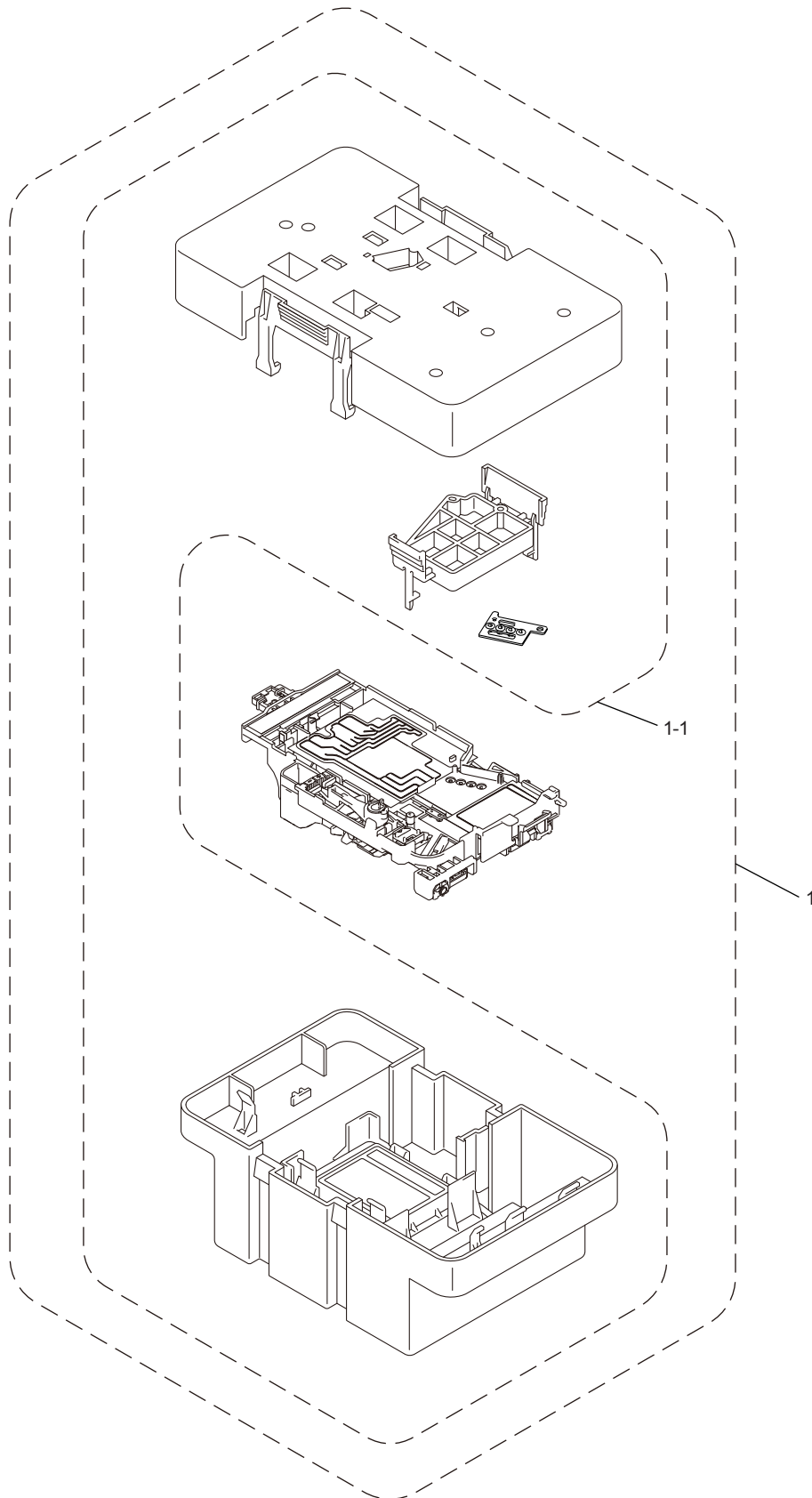
4. ENGINE



4. ENGINE

| REF No. | CODE | Q'TY | DESCRIPTION | REMARKS |
|---------|-----------|------|------------------------------|---------|
| 1 | LEK513001 | 1 | CARRIAGE MOTOR ASSY | |
| 2 | LED137001 | 1 | CR TIMING BELT | |
| 3 | LED146001 | 1 | CR ENCODER STRIP | |
| 4 | LED148001 | 1 | ENCODER STRIP GUARD FILM | |
| 5 | LEL522001 | 1 | CARRIAGE PCB ASSY (SP) | |
| 6 | LED374001 | 1 | INNER CHUTE ASSY | |
| 7 | LED382001 | 1 | PLATEN | |
| 8 | LED383001 | 1 | PLATEN FOAM | |
| 9 | LEK836001 | 1 | PAPER FEED MOTOR | |
| 10 | 000021206 | 1 | SCREW BIND M2X12 | |
| 11 | LED391001 | 1 | FLUSHING BASE | |
| 12 | LEL883001 | 1 | PAPER FEED ROLLER (SP) | |
| 13 | LED409001 | 1 | PAPER EJECTION ROLLER | |
| 14 | LT1509002 | 1 | PF ENCODER SENSOR PCB ASSY | |
| 15 | LED906001 | 1 | PF ENCODER DISK | |
| 16 | LEK115007 | 1 | JAM CLEAR COVER | |
| 17 | LEL245001 | 2 | T1 PAPER PULL-IN ROLLER | |
| 18 | LT2697001 | 1 | SWITCHBACK SENSOR PCB | |
| 19 | LEL016001 | 1 | SWITCHBACK ROLLER | |
| 20 | LEK116001 | 1 | MANUAL FEED SLOT COVER ASSY | |
| 21 | LT2699001 | 1 | REGISTRATION SENSOR PCB ASSY | |
| 22 | LEL523001 | 1 | MAINTENANCE UNIT (SP) | |
| 23 | LEK809001 | 1 | MANUAL FEED SLOT LABEL | |
| 24 | LEK118001 | 1 | BYPASS INSTRUCTION LABEL | |

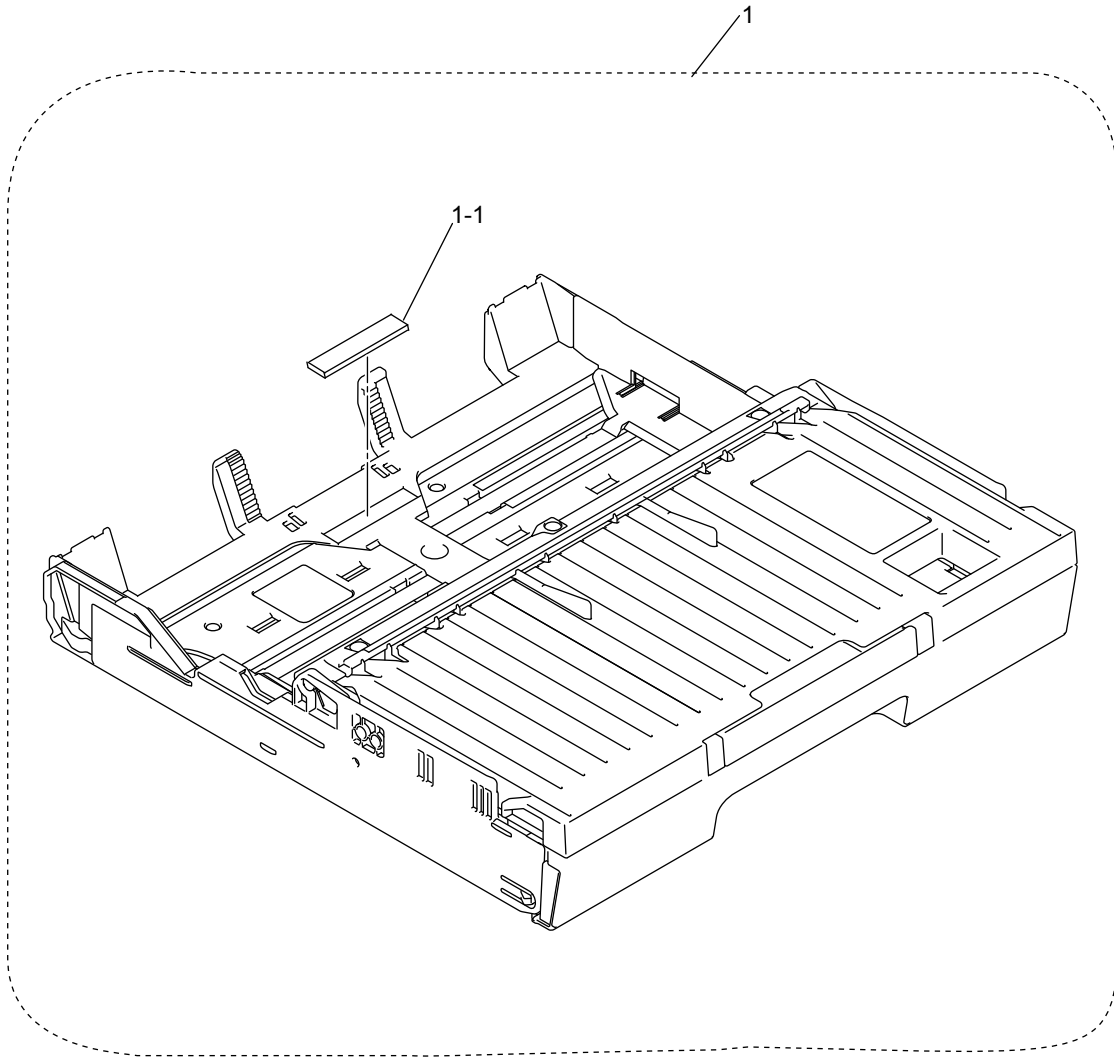
5. HEAD



5. HEAD

| REF No. | CODE | Q'TY | DESCRIPTION | REMARKS |
|---------|-----------|------|----------------------------|---------|
| 1 | LK6584001 | 1 | HEAD/CARRIAGE UNIT (SP) | |
| 1-1 | LK6601001 | 1 | PROTECTOR SUPPLY ASSY (SP) | |

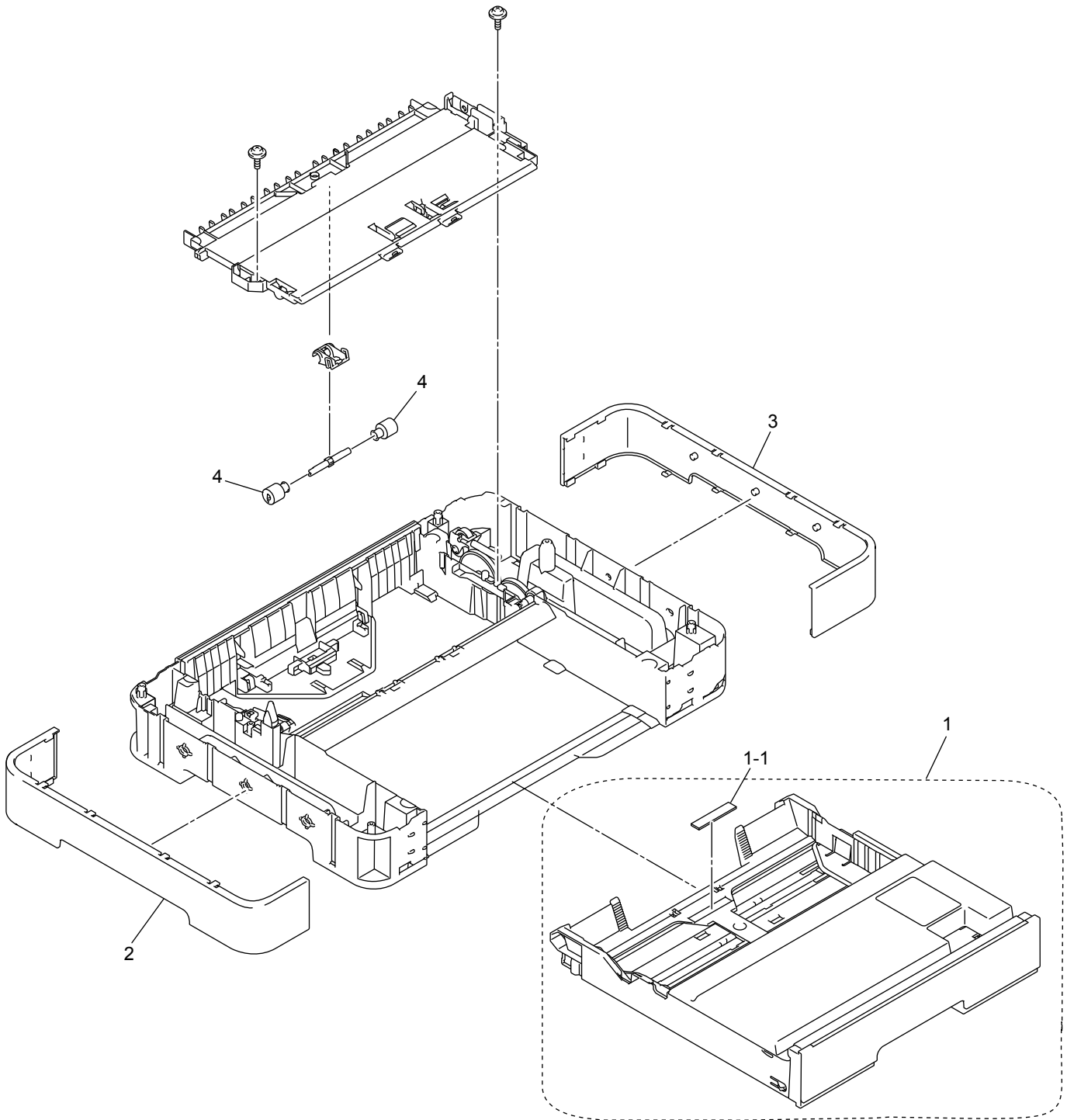
6. PAPER TRAY



6. PAPER TRAY

| REF No. | CODE | Q'TY | DESCRIPTION | REMARKS |
|---------|-----------|------|--|---------|
| 1 | LEL552001 | 1 | PAPER TRAY ASSY #1 (SP), MFC-J6520DW | |
| 1 | LEL551001 | 1 | PAPER TRAY ASSY #1 (SP), MFC-J3720/J6720DW/J6920DW | |
| 1-1 | LED275001 | 1 | BASE PAD | |

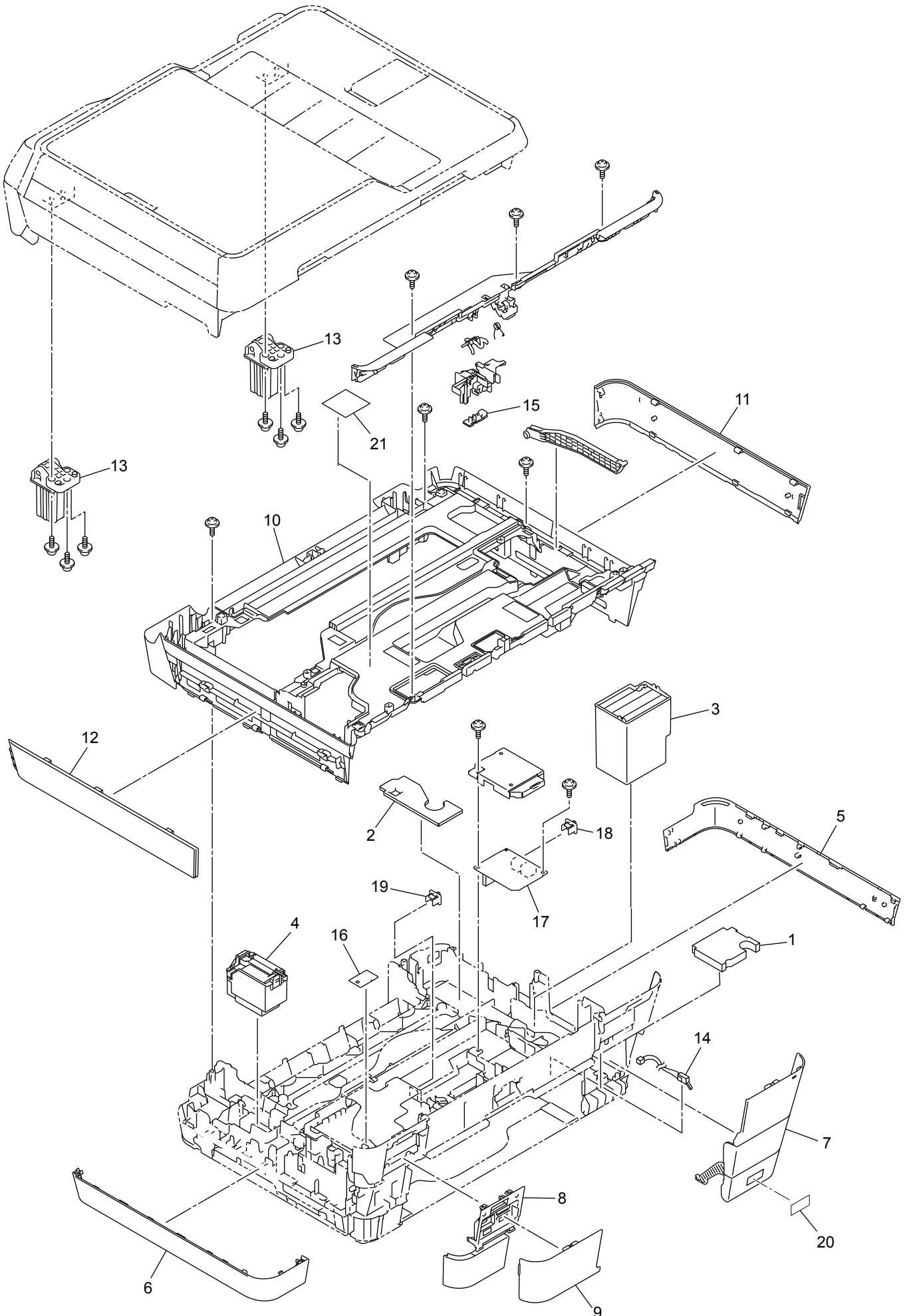
7. LOWER TRAY



7. LOWER TRAY

| REF No. | CODE | Q'TY | DESCRIPTION | REMARKS |
|---------|-----------|------|--|---------|
| 1 | LEL553001 | 1 | PAPER TRAY ASSY #2 (SP), MFC-J3720/J6720DW/J6920DW | |
| 1-1 | LED275001 | 1 | BASE PAD, MFC-J3720/J6720DW/J6920DW | |
| 2 | LEK167022 | 1 | SIDE COVER L, MFC-J3720/J6720DW/J6920DW | |
| 3 | LEK168022 | 1 | SIDE COVER R, MFC-J3720/J6720DW/J6920DW | |
| 4 | LEL245001 | 2 | T2 PAPER PULL-IN ROLLER, MFC-J3720/J6720DW/J6920DW | |

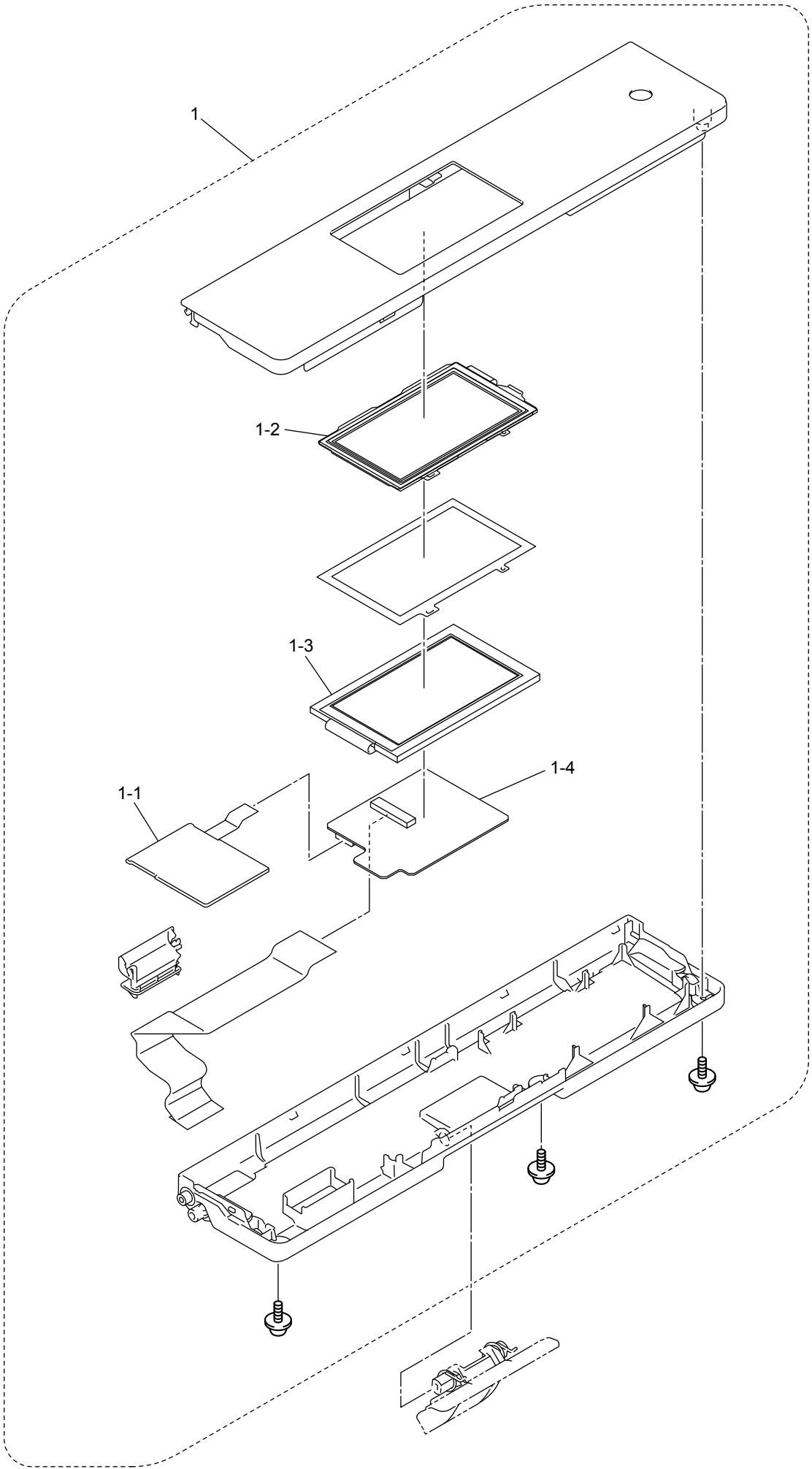
8. COVERS & LABELS



8. COVERS LABELS

| REF No. | CODE | Q'TY | DESCRIPTION | REMARKS |
|---------|-----------|------|--|---------|
| 1 | LEK259001 | 1 | INK ABSORBER FELT (FOR INK REFILL ASSY) | |
| 2 | LED460001 | 1 | INK ABSORBER FELT (FOR MAINTENANCE UNIT) | |
| 3 | LEK243001 | 1 | INK ABSORBER BOX | |
| 4 | LED467001 | 1 | FLUSHING BOX | |
| 5 | LEK251022 | 1 | LOWER SIDE COVER R, MFC-J6520DW | |
| 5 | LEK264022 | 1 | LOWER SIDE COVER R, MFC-J3720/J6720DW/J6920DW | |
| 5 | LEK250022 | 1 | LOWER SIDE COVER L, MFC-J6520DW | |
| 6 | LEK265022 | 1 | LOWER SIDE COVER L, MFC-J3720/J6720DW/J6920DW | |
| 7 | LEK239001 | 1 | INK CARTRIDGE COVER | |
| 8 | LEK255007 | 1 | INNER MEDIA COVER | |
| 9 | LEK238022 | 1 | FRONT COVER L | |
| 10 | LEL554001 | 1 | UPPER COVER (SP) | |
| 11 | LEK262007 | 1 | UPPER SIDE COVER R | |
| 12 | LEK261007 | 1 | UPPER SIDE COVER L | |
| 13 | LEK235001 | 2 | FB HINGE | |
| 14 | LT2608001 | 1 | INK CARTRIDGE COVER SENSOR ASSY | |
| 15 | LG6753001 | 1 | DOCUMENT SCANNER SENSOR | |
| 16 | LT2822001 | 1 | WIRELESS LAN PCB ASSY | |
| 17 | LT2051001 | 1 | MJ PCB ASSY FOR US/CAN/ASA/OCE | |
| 17 | LT2051004 | 1 | MJ PCB ASSY FOR GER/UK/FRA/BEL/NLD/CHE/ITA/PND/IBR/CEE | |
| 18 | LE8842001 | 1 | EXT CAP FOR US/CAN/NLD/CHE/ITA/ASA/OCE/PND/IBR/CEE | |
| 18 | UF5745000 | 1 | MJ COVER EXT FOR GER/UK/FRA/BEL | |
| 19 | LEG124001 | 1 | LAN PORT CAP | |
| 20 | LX3721001 | 1 | INNOBELLA LABEL FOR US | |
| 20 | LX3722001 | 1 | INNOBELLA LABEL EXCEPT FOR US | |
| 21 | LEK811001 | 1 | FB CLOSE CAUTION LABEL | |

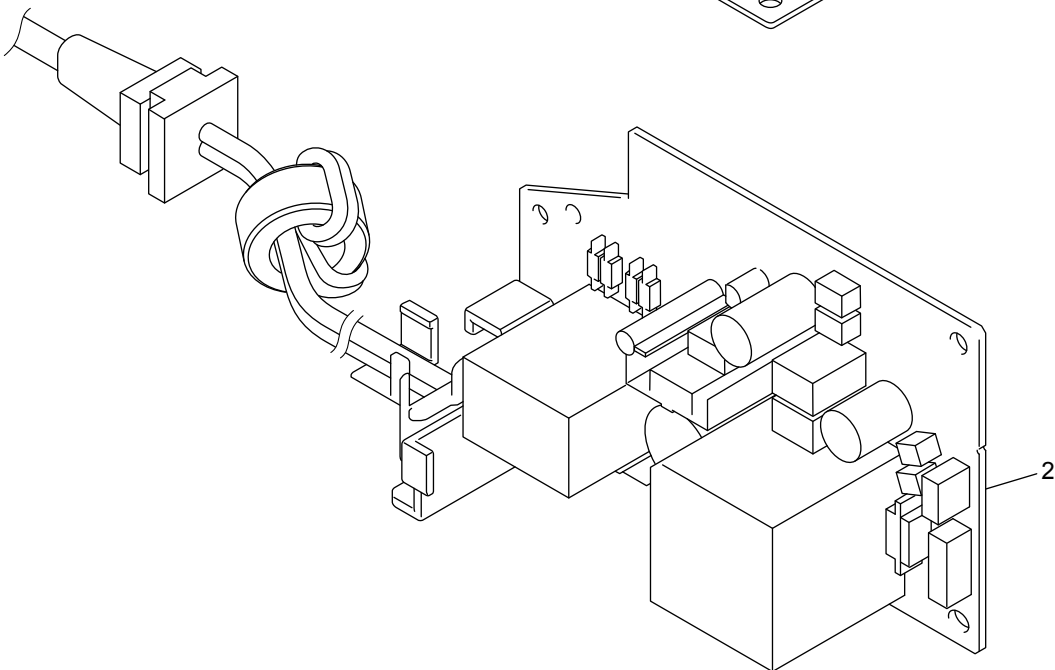
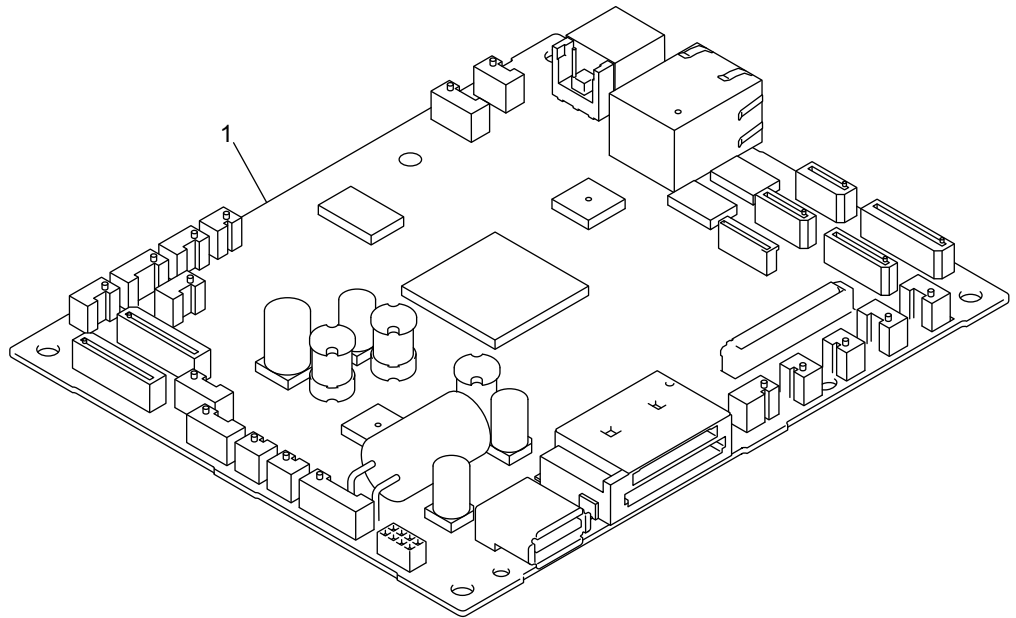
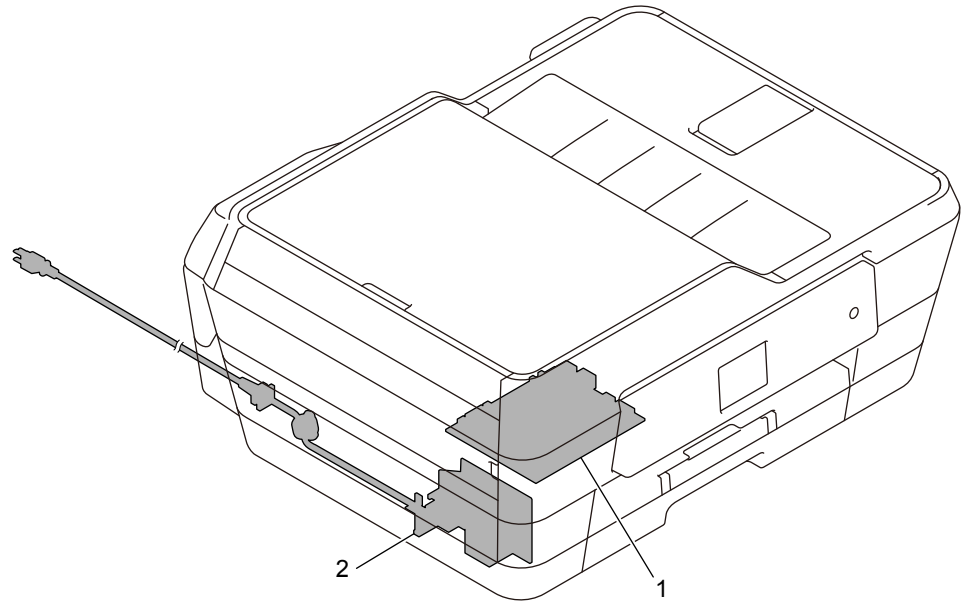
9. PANEL



9. PANEL

| REF No. | CODE | Q'TY | DESCRIPTION | REMARKS |
|---------|-----------|------|--|---------|
| 1 | LEK349001 | 1 | PANEL ASSY, MFC-J6520DW FOR US/CAN | |
| 1 | LEK337001 | 1 | PANEL ASSY, MFC-J6720DW FOR US/CAN | |
| 1 | LEK335001 | 1 | PANEL ASSY, MFC-J6920DW FOR US/CAN | |
| 1 | LEL294001 | 1 | PANEL ASSY, MFC-J6520DW FOR GER/UK/FRA/ITA/IBR | |
| 1 | LEL296001 | 1 | PANEL ASSY, MFC-J6720DW FOR GER/UK/FRA/BEL/NLD/CHE/OCE/PND/IBR | |
| 1 | LEL188001 | 1 | PANEL ASSY, MFC-J6920DW FOR GER/UK/FRA/BEL/NLD/CHE/ ITA/OCE/PND/IBR/CEE | |
| 1 | LER813001 | 1 | PANEL ASSY, MFC-J3720 FOR ASA | |
| 1-1 | LT2354002 | 1 | NFC PCB, MFC-J6920DW | |
| 1-2 | LEG646001 | 1 | TOUCH PANEL ASSY, MFC-J3720/J6520DW/J6720DW | |
| 1-2 | LED448001 | 1 | TOUCH PANEL ASSY, MFC-J6920DW | |
| 1-3 | A63408001 | 1 | LCD, MFC-J3720/J6520DW/J6720DW | |
| 1-3 | A63291001 | 1 | LCD, MFC-J6920DW | |
| 1-4 | LT2622001 | 1 | LCD PCB ASSY, MFC-J3720/J6520DW/J6720DW | |
| 1-4 | LT2617001 | 1 | LCD PCB ASSY, MFC-J6920DW | |

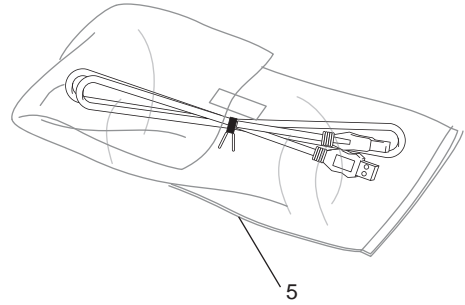
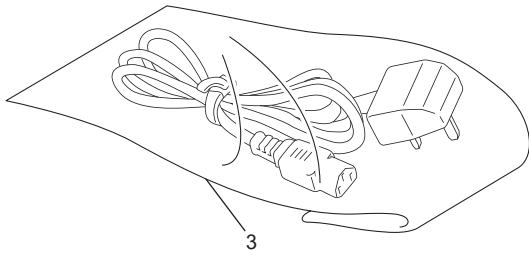
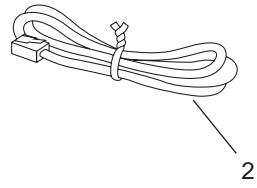
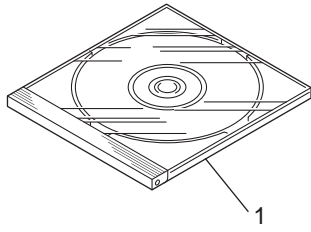
10. PCB



10. PCB

| REF No. | CODE | Q'TY | DESCRIPTION | REMARKS |
|---------|-----------|------|---|---------|
| 1 | LT3067001 | 1 | MAIN PCB ASSY (SP), MFC-J6520DW FOR US/CAN (PRESET 74 CODE:0001) | |
| 1 | LT3068001 | 1 | MAIN PCB ASSY (SP), MFC-J6720DW FOR US/CAN (PRESET 74 CODE:0101) | |
| 1 | LT3069001 | 1 | MAIN PCB ASSY (SP), MFC-J6920DW FOR US/CAN (PRESET 74 CODE:0001) | |
| 1 | LT3067004 | 1 | MAIN PCB ASSY (SP), MFC-J6520DW FOR GER/UK/FRA/ITA/IBR (PRESET 74 CODE:0004) | |
| 1 | LT3068004 | 1 | MAIN PCB ASSY (SP), MFC-J6720DW FOR GER/UK/FRA/BEL/NLD/CHE/PND/IBR (PRESET 74 CODE:0104) | |
| 1 | LT3069004 | 1 | MAIN PCB ASSY (SP), MFC-J6920DW FOR GER/UK/FRA/BEL/NLD/CHE/ITA/PND/IBR/CEE (PRESET 74 CODE:0004) | |
| 1 | LT3068040 | 1 | MAIN PCB ASSY (SP), MFC-J3720 FOR ASA (PRESET 74 CODE:0340) | |
| 1 | LT3068056 | 1 | MAIN PCB ASSY (SP), MFC-J6720DW FOR OCE (PRESET 74 CODE:0156) | |
| 1 | LT3069056 | 1 | MAIN PCB ASSY (SP), MFC-J6920DW FOR OCE (PRESET 74 CODE:0056) | |
| 2 | LT2610001 | 1 | POWER SUPPLY PCB ASSY FOR US/CAN | |
| 2 | LT2611001 | 1 | POWER SUPPLY PCB ASSY EXCEPT FOR US/CAN | |

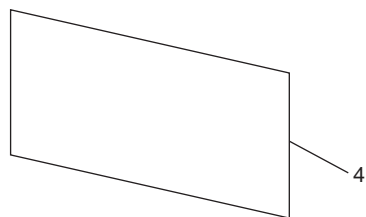
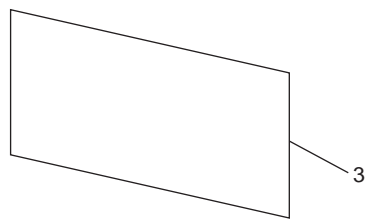
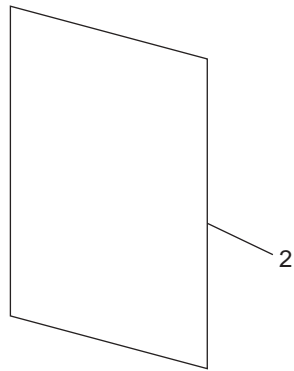
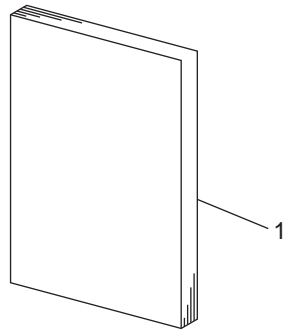
11. ACCESSORIES



11. ACCESSORIES

| REF No. | CODE | Q'TY | DESCRIPTION | REMARKS |
|---------|-----------|------|---|---------|
| 1 | LEK862001 | 1 | CD-ROM ASSY, MFC-J6520DW FOR US | |
| 1 | LEK863001 | 1 | CD-ROM ASSY, MFC-J6720DW FOR US | |
| 1 | LEK864001 | 1 | CD-ROM ASSY, MFC-J6920DW FOR US | |
| 1 | LEL524001 | 1 | CD-ROM ASSY, MFC-J6520DW FOR CAN | |
| 1 | LEL525001 | 1 | CD-ROM ASSY, MFC-J6720DW FOR CAN | |
| 1 | LEL526001 | 1 | CD-ROM ASSY, MFC-J6920DW FOR CAN | |
| 1 | LEL198001 | 1 | CD-ROM ASSY, MFC-J6520DW FOR GER/UK/FRA/ITA/IBR | |
| 1 | LEL199001 | 1 | CD-ROM ASSY, MFC-J6720DW FOR GER/UK/FRA/BEL/NLD/CHE/IBR | |
| 1 | LEL200001 | 1 | CD-ROM ASSY, MFC-J6920DW FOR GER/UK/FRA/BEL/NLD/CHE/ITA/IBR | |
| 1 | LEL533001 | 1 | CD-ROM ASSY, MFC-J3720 FOR ASA | |
| 1 | LEL530001 | 1 | CD-ROM ASSY, MFC-J6720DW FOR OCE | |
| 1 | LEL531001 | 1 | CD-ROM ASSY, MFC-J6920DW FOR OCE | |
| 1 | LEL202001 | 1 | CD-ROM ASSY, MFC-J6720DW FOR PND | |
| 1 | LEL203001 | 1 | CD-ROM ASSY, MFC-J6920DW FOR PND | |
| 1 | LEL205001 | 1 | CD-ROM ASSY, MFC-J6920DW FOR CEE | |
| 2 | LG3077001 | 1 | TELEPHONE LINE CORD CSA FOR US/CAN/UK/NLD/ASA/OCE/IBR/CEE | |
| 2 | UG3625001 | 1 | TELEPHONE LINE CORD FOR GER | |
| 2 | UG3626001 | 1 | TELEPHONE LINE CORD FOR UK | |
| 2 | UG3627001 | 1 | TELEPHONE LINE CORD FOR FRA | |
| 2 | UG1575001 | 1 | TELEPHONE LINE CORD FOR BEL | |
| 2 | LG7202001 | 1 | TELEPHONE LINE CORD FOR CHE | |
| 2 | LT2144001 | 1 | TELEPHONE LINE CORD FOR ITA | |
| 2 | UG3290001 | 1 | TELEPHONE LINE CORD NZ FOR HK/OCE | |
| 2 | LG5827001 | 1 | TELEPHONE LINE CORD FOR PND | |
| 3 | LT2509001 | 1 | AC CORD BAG ASSY C5RA EUR FOR GER/FRA/BEL/NLD/ITA/ASA/PND/IBR/CEE | |
| 3 | LT2544001 | 1 | AC CORD BAG ASSY C5RA UK FOR UK/ASA | |
| 3 | LT2637001 | 1 | AC CORD BAG ASSY C5RA SEV FOR CHE | |
| 3 | LT2639001 | 1 | AC CORD BAG ASSY C5RA SAI FOR OCE | |
| (4) | LG3622001 | 1 | TELEPHONE PLUG DUT FOR NLD | |
| (4) | LG6573001 | 1 | TELEPHONE PLUG ARL FOR OCE | |
| (4) | LG5828001 | 1 | TELEPHONE PLUG DEN FOR PND | |
| (4) | LG5830001 | 1 | TELEPHONE PLUG SWE FOR PND | |
| (4) | LG5829001 | 1 | TELEPHONE PLUG FIN FOR PND | |
| 5 | LJ9803001 | 1 | USB CABLE 2.0 | |

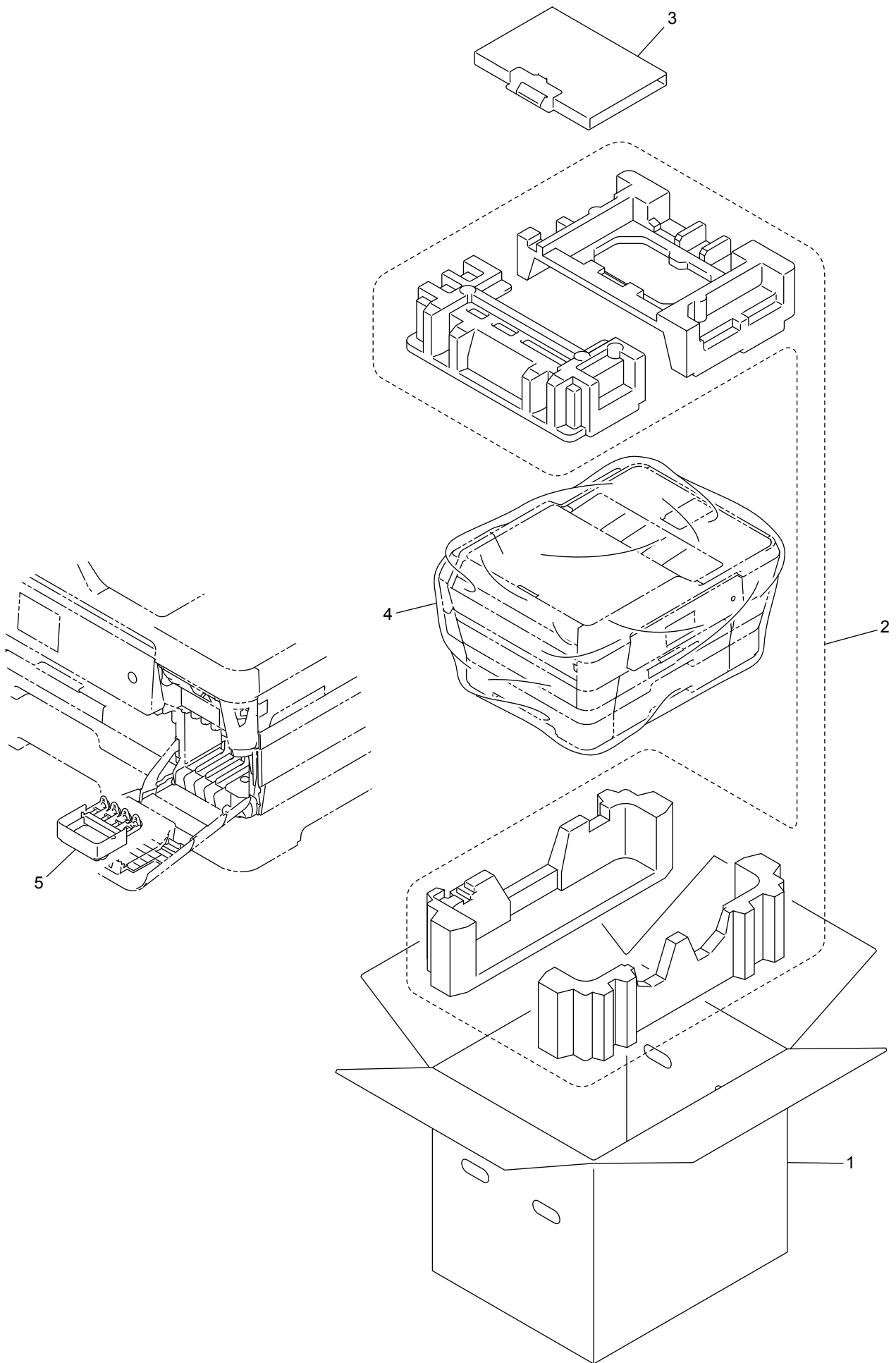
12. PRINTED MATERIALS



12. PRINTED MATERIALS

| REF No. | CODE | Q'TY | DESCRIPTION | REMARKS |
|---------|-----------|------|--|---------|
| 1 | LEL905001 | 1 | USER'S GUIDE, MFC-J6520DW/J6720DW FOR US/CAN (ENGLISH) | |
| 1 | LEL566001 | 1 | USER'S GUIDE, MFC-J6920DW FOR US/CAN (ENGLISH) | |
| 1 | LEL905002 | 1 | USER'S GUIDE, MFC-J6520DW/J6720DW FOR CAN (FRENCH) | |
| 1 | LEL566002 | 1 | USER'S GUIDE, MFC-J6920DW FOR CAN (FRENCH) | |
| 1 | LER043003 | 1 | USER'S GUIDE, MFC-J6520DW/J6720DW FOR GER/CHE (GERMAN) | |
| 1 | LEL864003 | 1 | USER'S GUIDE, MFC-J6920DW FOR GER/CHE (GERMAN) | |
| 1 | LER043004 | 1 | USER'S GUIDE, MFC-J6520DW/J6720DW FOR UK | |
| 1 | LEL864004 | 1 | USER'S GUIDE, MFC-J6920DW FOR UK | |
| 1 | LER043005 | 1 | USER'S GUIDE, MFC-J6520DW/J6720DW FOR FRA/BEL/CHE (FRENCH) | |
| 1 | LEL864005 | 1 | USER'S GUIDE, MFC-J6920DW FOR FRA/BEL/CHE (FRENCH) | |
| 1 | LER043009 | 1 | USER'S GUIDE, MFC-J6720DW FOR BEL/NLD (DUTCH) | |
| 1 | LEL864009 | 1 | USER'S GUIDE, MFC-J6920DW FOR BEL/NLD (DUTCH) | |
| 1 | LER043016 | 1 | USER'S GUIDE, MFC-J6520DW FOR ITA | |
| 1 | LEL864016 | 1 | USER'S GUIDE, MFC-J6920DW FOR ITA | |
| 1 | LER043056 | 1 | USER'S GUIDE, MFC-J3720/J6720DW FOR ASA/OCE (ENGLISH) | |
| 1 | LER043030 | 1 | USER'S GUIDE, MFC-J3720 FOR ASA (THAI) | |
| 1 | LEL864056 | 1 | USER'S GUIDE, MFC-J6920DW FOR OCE | |
| 1 | LER065007 | 1 | USER'S GUIDE, MFC-J6720DW FOR PND (NORWEGIAN/SWEDISH) | |
| 1 | LER065013 | 1 | USER'S GUIDE, MFC-J6720DW FOR PND (FINNISH/DANISH) | |
| 1 | LEL960007 | 1 | USER'S GUIDE, MFC-J6920DW FOR PND (NORWEGIAN/SWEDISH) | |
| 1 | LEL960013 | 1 | USER'S GUIDE, MFC-J6920DW FOR PND (FINNISH/DANISH) | |
| 1 | LER065065 | 1 | USER'S GUIDE, MFC-J6520DW/J6720DW FOR IBR | |
| 1 | LEL960065 | 1 | USER'S GUIDE, MFC-J6920DW FOR IBR | |
| 2 | LER852001 | 1 | QUICK SETUP GUIDE, MFC-J6520DW/J6720DW FOR US/CAN (ENGLISH) | |
| 2 | LEL568001 | 1 | QUICK SETUP GUIDE, MFC-J6920DW FOR US/CAN (ENGLISH) | |
| 2 | LEL910002 | 1 | QUICK SETUP GUIDE, MFC-J6520DW/J6720DW FOR CAN (FRENCH) | |
| 2 | LEL568002 | 1 | QUICK SETUP GUIDE, MFC-J6920DW FOR CAN (FRENCH) | |
| 2 | LER047003 | 1 | QUICK SETUP GUIDE, MFC-J6520DW/J6720DW FOR GER/CHE (GERMAN) | |
| 2 | LEL865003 | 1 | QUICK SETUP GUIDE, MFC-J6920DW FOR GER/CHE (GERMAN) | |
| 2 | LER047004 | 1 | QUICK SETUP GUIDE, MFC-J6520DW/J6720DW FOR UK | |
| 2 | LEL865004 | 1 | QUICK SETUP GUIDE, MFC-J6920DW FOR UK | |
| 2 | LER047005 | 1 | QUICK SETUP GUIDE, MFC-J6520DW/J6720DW FOR FRA/BEL/CHE (FRENCH) | |
| 2 | LEL865005 | 1 | QUICK SETUP GUIDE, MFC-J6920DW FOR FRA/BEL/CHE (FRENCH) | |
| 2 | LER047009 | 1 | QUICK SETUP GUIDE, MFC-J6720DW FOR BEL/NLD (DUTCH) | |
| 2 | LEL865009 | 1 | QUICK SETUP GUIDE, MFC-J6920DW FOR BEL/NLD (DUTCH) | |
| 2 | LER047016 | 1 | QUICK SETUP GUIDE, MFC-J6520DW/J6720DW FOR CHE/ITA (ITALIAN) | |
| 2 | LEL865016 | 1 | QUICK SETUP GUIDE, MFC-J6920DW FOR CHE/ITA (ITALIAN) | |
| 2 | LER047056 | 1 | QUICK SETUP GUIDE, MFC-J3720/J6720DW FOR ASA/OCE (ENGLISH) | |
| 2 | LER047030 | 1 | QUICK SETUP GUIDE, MFC-J3720 FOR ASA (THAI) | |
| 2 | LEL865056 | 1 | QUICK SETUP GUIDE, MFC-J6920DW FOR OCE | |
| 2 | LER047007 | 1 | QUICK SETUP GUIDE, MFC-J6720DW FOR PND (NORWEGIAN/SWEDISH) | |
| 2 | LER047013 | 1 | QUICK SETUP GUIDE, MFC-J6720DW FOR PND (FINNISH/DANISH) | |
| 2 | LEL865007 | 1 | QUICK SETUP GUIDE, MFC-J6920DW FOR PND (NORWEGIAN/SWEDISH) | |
| 2 | LEL865013 | 1 | QUICK SETUP GUIDE, MFC-J6920DW FOR PND (FINNISH/DANISH) | |
| 2 | LER047065 | 1 | QUICK SETUP GUIDE, MFC-J6520DW/J6720DW FOR IBR | |
| 2 | LEL865065 | 1 | QUICK SETUP GUIDE, MFC-J6920DW FOR IBR | |
| 2 | LEL865037 | 1 | QUICK SETUP GUIDE, MFC-J6920DW FOR CEE (CZECH/HUNGARIAN/POLISH/ENGLISH) | |
| 2 | LEL865059 | 1 | QUICK SETUP GUIDE, MFC-J6920DW FOR CEE (BULGARIAN/ROMANIAN/SLOVAK) | |
| 3 | LEK110001 | 1 | FRENCH SEAL FOR CAN | |
| 4 | LEL237001 | 1 | SIRM ALPHABET LABEL, MFC-J3720 FOR ASA | |

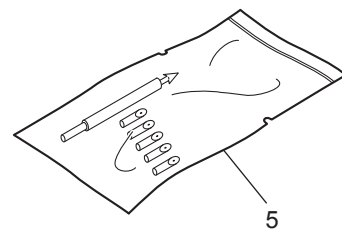
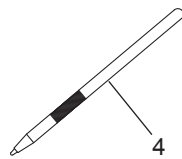
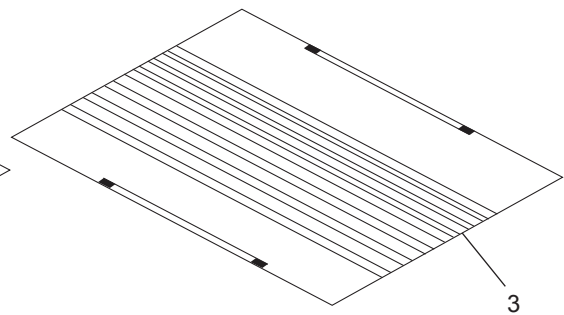
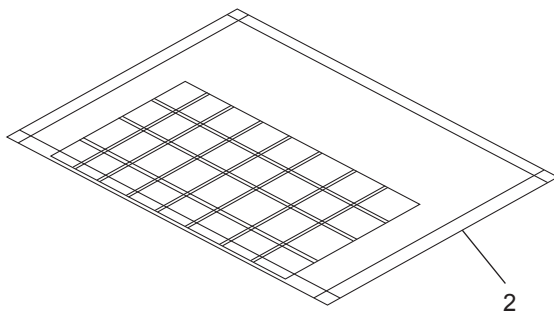
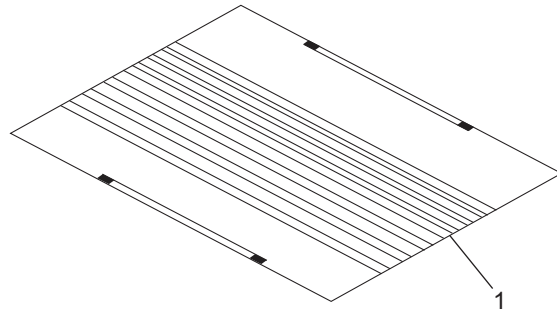
13. PACKING MATERIALS



13. PACKING MATERIALS

| REF No. | CODE | Q'TY | DESCRIPTION | REMARKS |
|---------|-----------|------|---|---------|
| 1 | LER578001 | 1 | CARTON BROTHER, MFC-J6520DW FOR US | |
| 1 | LEL906001 | 1 | CARTON BROTHER, MFC-J6720DW FOR US | |
| 1 | LEL581001 | 1 | CARTON BROTHER, MFC-J6920DW FOR US | |
| 1 | LER582001 | 1 | CARTON BROTHER, MFC-J6520DW FOR CAN | |
| 1 | LEL914001 | 1 | CARTON BROTHER, MFC-J6720DW FOR CAN | |
| 1 | LEL584001 | 1 | CARTON BROTHER, MFC-J6920DW FOR CAN | |
| 1 | LER771001 | 1 | CARTON BROTHER, MFC-J6520DW FOR GER/UK/FRA/ITA/IBR | |
| 1 | LER044001 | 1 | CARTON BROTHER, MFC-J6720DW FOR GER/UK/FRA/BEL/NLD/CHE/PND/IBR | |
| 1 | LEL866001 | 1 | CARTON BROTHER, MFC-J6920DW FOR GER/UK/FRA/BEL/NLD/CHE/ITA/PND/IBR/CEE | |
| 1 | LER817001 | 1 | CARTON BROTHER, MFC-J3720 FOR ASA | |
| 1 | LER469001 | 1 | CARTON BROTHER, MFC-J6720DW FOR OCE | |
| 1 | LER470001 | 1 | CARTON BROTHER, MFC-J6920DW FOR OCE | |
| 2 | LEK903001 | 1 | PACKING PAD ASSY, MFC-J6520DW | |
| 2 | LEK816001 | 1 | PACKING PAD ASSY, MFC-J3720/J6720DW/J6920DW | |
| 3 | LEK815001 | 1 | ACCESSORIES SHEET | |
| 4 | LEL152001 | 1 | BAG 1000X1000H, MFC-J6520DW | |
| 4 | LX8038001 | 1 | BAG 1200X1000H, MFC-J3720/J6720DW/J6920DW | |
| 5 | LET128001 | 1 | PROTECTIVE PART (SP) | CHG |

14. OTHERS



14. OTHERS

| REF No. | CODE | Q'TY | DESCRIPTION | REMARKS |
|---------|-----------|------|--------------------------|---------|
| 1 | UF8263001 | 1 | TEST CHART-027 | |
| 2 | UF9258001 | 1 | COLOR TEST CHART CTC-001 | |
| 3 | UF4600001 | 1 | CONTRAST CHART TC-023 | |
| 4 | XA9940051 | 1 | TOUCH PEN | |
| 5 | ZA0310001 | 1 | HEAD CLEANER STICK ASSY | |