



FACSIMILE EQUIPMENT

PARTS REFERENCE LIST

MODEL: FAX8070P / MFC9030 / MFC9070

**(For Germany / United Kingdom / France /
Norway / Belgium / Netherlands /
Switzerland / Ireland / Finland / Denmark /
Austria / Spain / Italy / South Africa /
Sweden / Poland / Russia / Euro Generic)**

© Copyright Brother 2001

All rights reserved

No part of this publication may be reproduced in any form
or by any means without permission in writing from the
publisher.

Specifications are subject to change without prior notice.

NOTES FOR USING THIS PARTS REFERENCE LIST

1. In the case of ordering parts, it needs mentioning the following items:

- (1) Code
- (2) Q' ty
- (3) Description

Note: No orders without Parts Code or Tool No. can be accepted.

[Example]

| REF.NO. | (1) CODE | (2) Q' TY | (3) DESCRIPTION | REMARKS |
|---------|-------------|--------------|--------------------|---------|
| | | | | |

2. Design-changed parts:

When the parts are changed, any one of the following symbols is mentioned in the REMARKS column.

CNG(cng) : The part is changed to a new part.

ADD(add) : The part is newly added.

DEL(del) : The part is deleted.

Symbol in capital letters indicates that the change is the latest one in the page.

3. Parts change will be informed by the technical information.

COUNTRIES

GERMAN ---- GER

UNITED KINGDOM ---- UK

FRANCE ---- FRA

NORWAY ---- NOR

BELGIUM ---- BEL

NETHERLANDS ---- NLD

SWITZERLAND ---- CHE

IRELAND ---- IRE

FINLAND ---- FIN

DENMARK ---- DEN

AUSTRIA ---- AUS

SPAIN ---- SPA

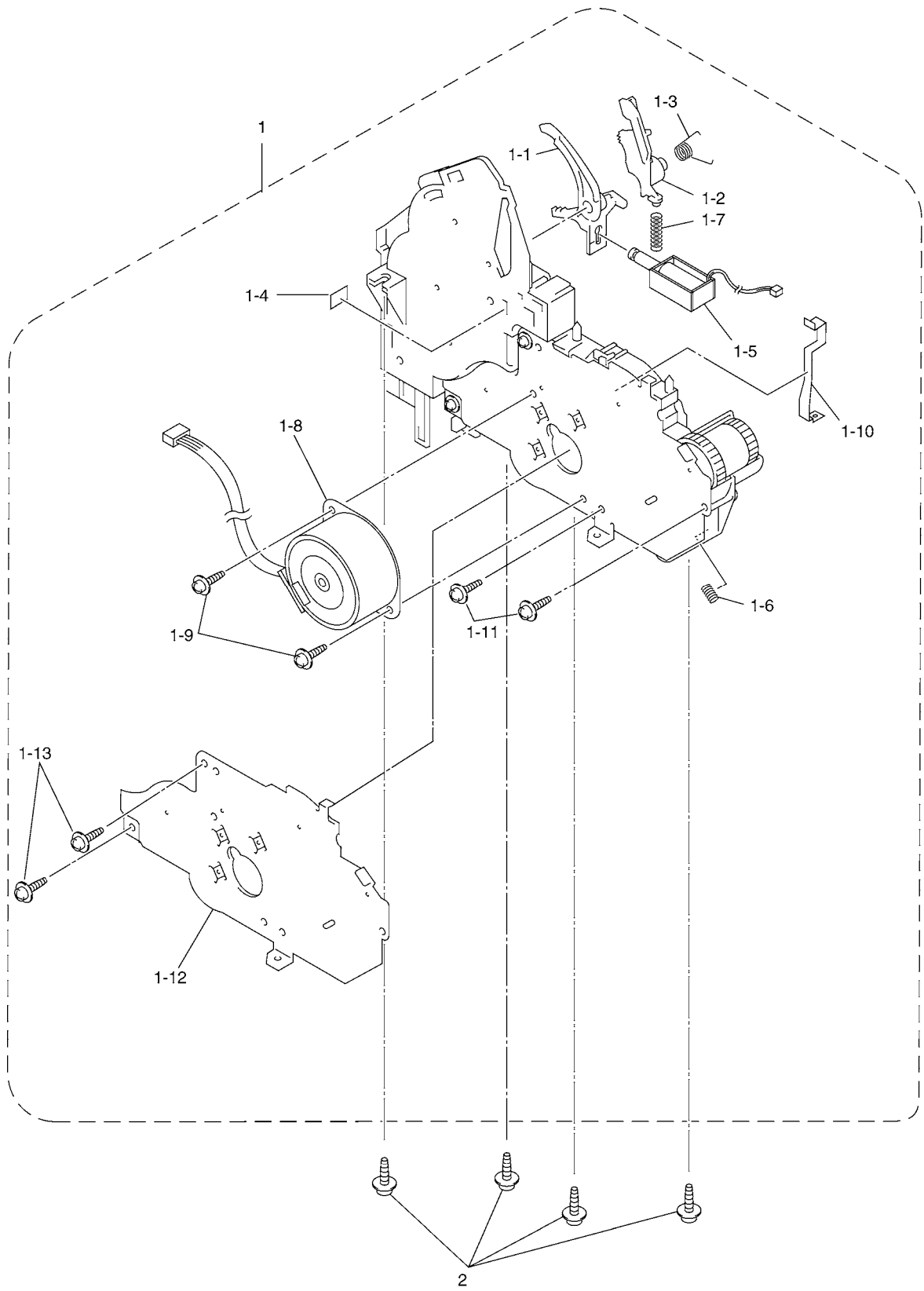
ITALY ---- ITA

SOUTH AFRICA ---- ZAF

SWEDEN ---- SWE

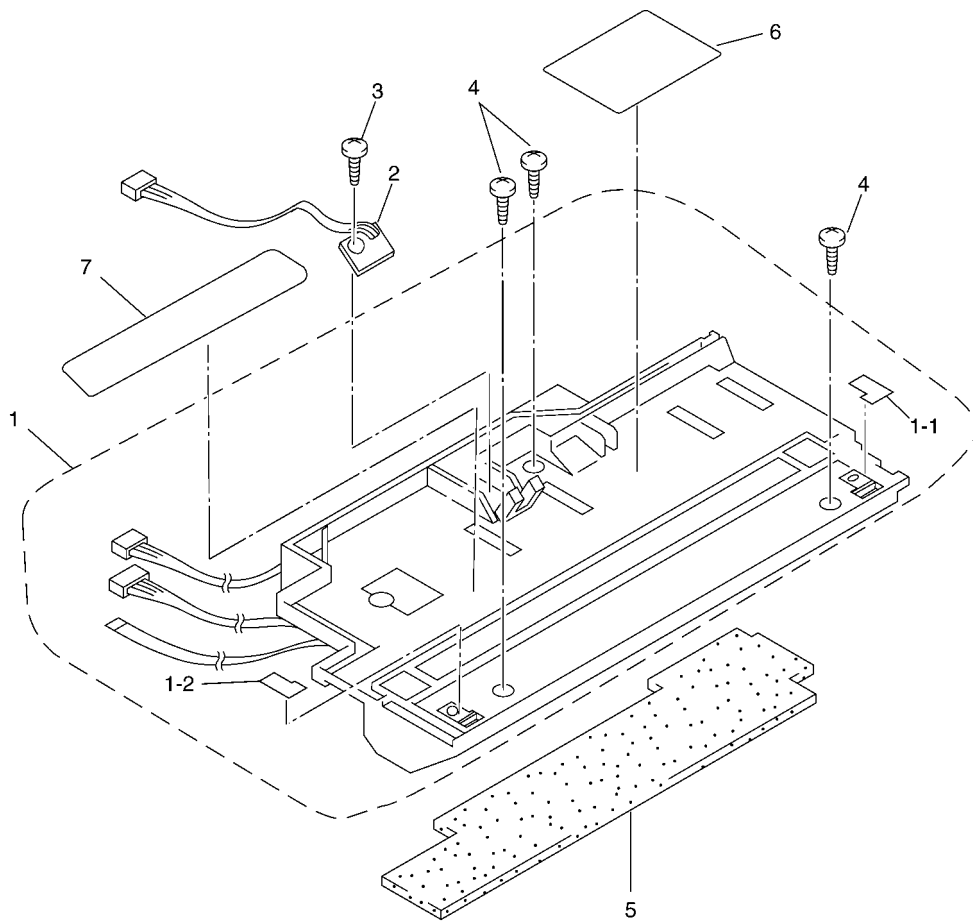
RUSSIA ---- RUS

EURO GENERIC ---- GNR



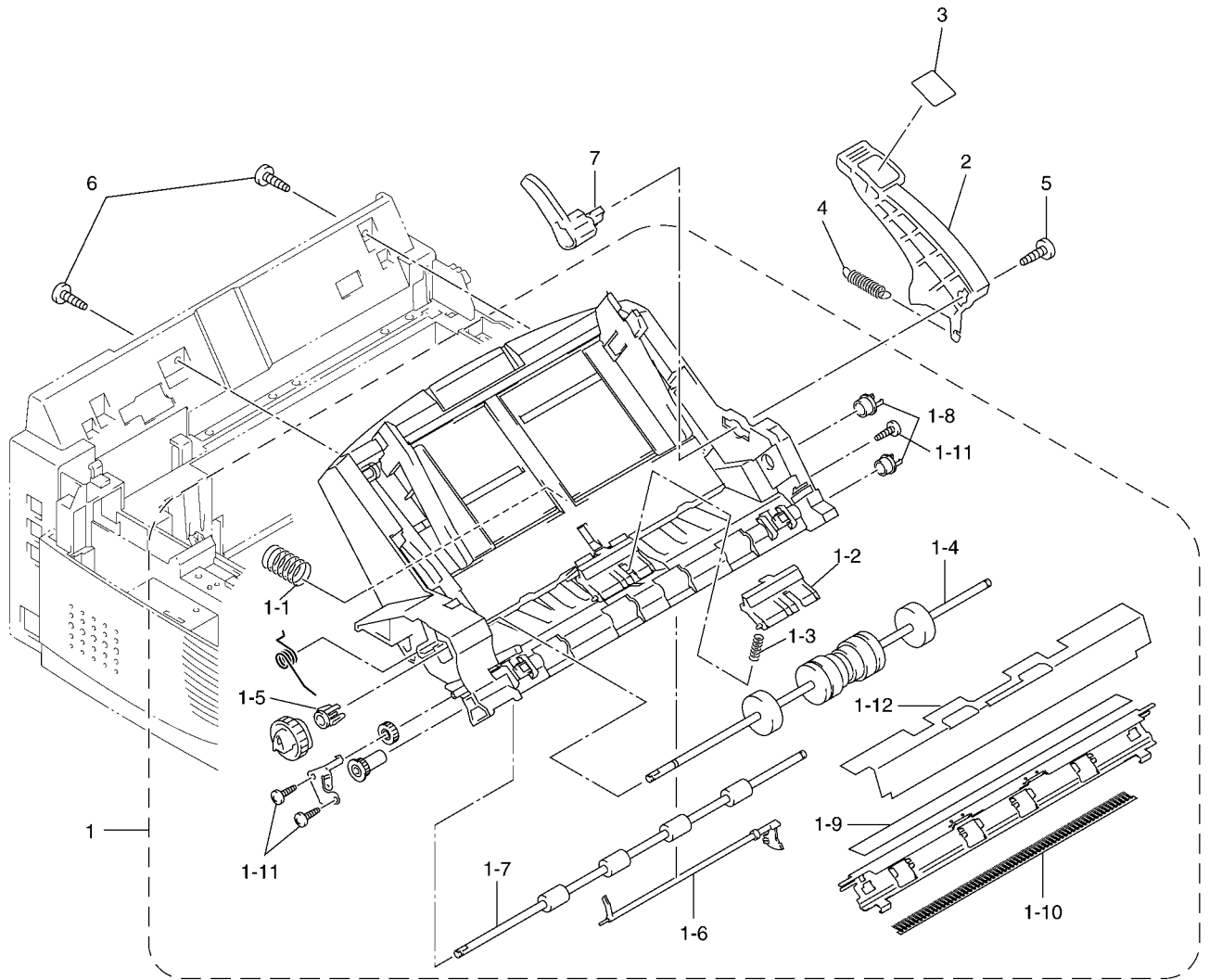
LIST1(PAPER DRIVE)

| REF No. | CODE | QTY | DESCRIPTION | RECOMMEND | REMARK |
|---------|-----------|-----|------------------------------|-----------|--------|
| 1 | LE1793001 | 1 | DRIVE UNIT | | |
| 1-1 | UL6573000 | 1 | PAPER PICK-UP SOLENOID LEVER | | |
| 1-2 | UL6574000 | 1 | CLUTCH RELEASE LEVER | | |
| 1-3 | UL6575001 | 1 | SOLENOID LEVER RETURN SPRING | | |
| 1-4 | LE7280001 | 1 | SOLENOID LEVER SHEET | | |
| 1-5 | LE7015001 | 1 | PAPER FEED SOLENOID ASSY | | |
| 1-6 | LE7419001 | 1 | CLUTCH GEAR SPRING | | |
| 1-7 | UL6579001 | 1 | CLUTCH HOLDER SPRING | | |
| 1-8 | LE1806001 | 1 | MAIN MOTOR ASSY | | |
| 1-9 | 087320616 | 2 | TAPTITE, CUP S M3X6 | | |
| 1-10 | LE1807001 | 1 | ELECTRODE | | |
| 1-11 | 087311016 | 2 | TAPTITE, CUP B M3X10 | | |
| 1-12 | LE1795001 | 1 | MOTOR BRACKET | | |
| 1-13 | 087321615 | 2 | TAPTITE, CUP S M3X16 | | |
| 2 | 087411415 | 4 | TAPTITE, CUP B M4X14 | | |



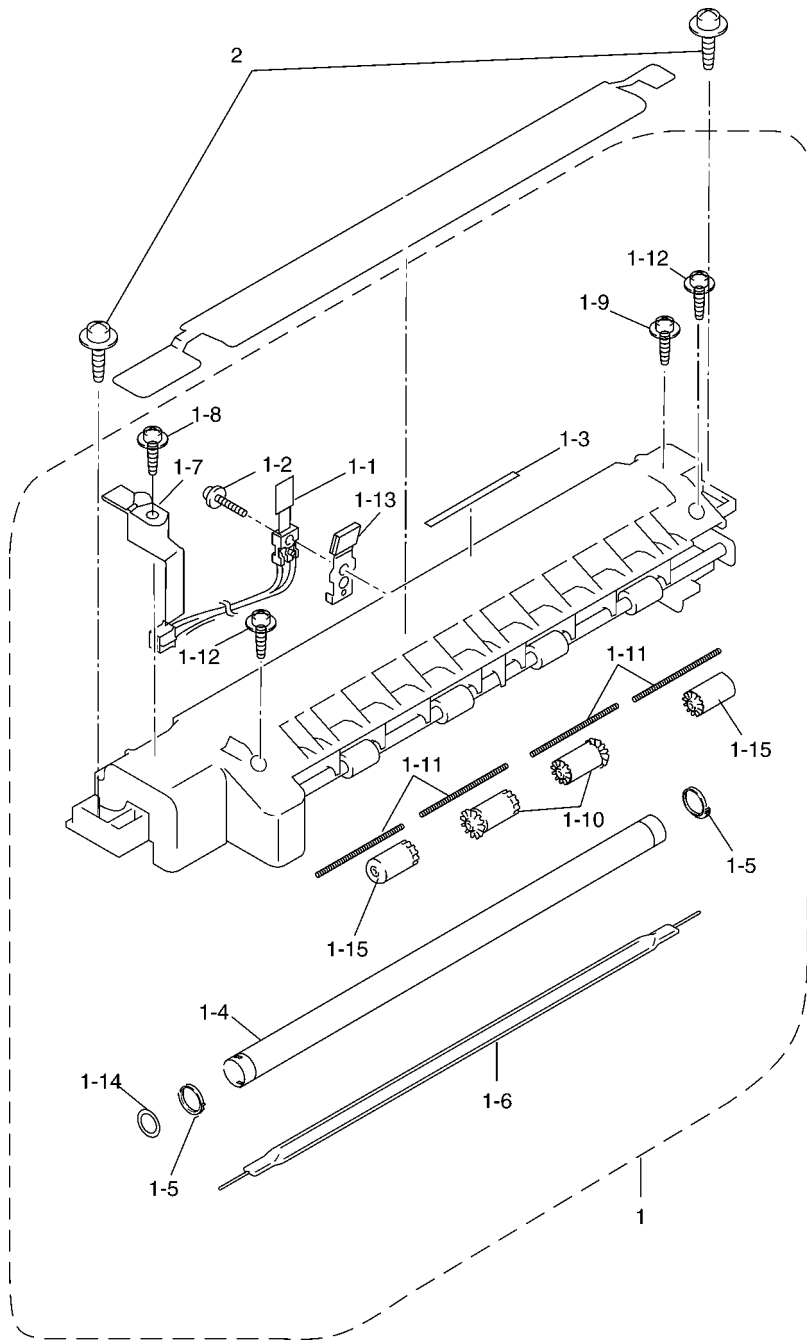
LIST2(LASER UNIT)

| REF No. | CODE | QTY | DESCRIPTION | RECOMMEND | REMARK |
|---------|-----------|-----|-------------------------|-----------|--------|
| 1 | LE7197001 | 1 | LASER SCANNER ASSY(SP) | √ | |
| 1-1 | UL6614001 | 1 | SCANNER SHEET 1 | | |
| 1-2 | UL6615001 | 1 | SCANNER SHEET 2 | | |
| 2 | LG3162001 | 1 | TONER SENSOR PCB ASSY | | |
| 3 | 087310815 | 1 | TAPTITE, CUP B M3X8 | | |
| 4 | 085411215 | 3 | SCREW, BIND B TITE 4X12 | | |
| 5 | UU7043001 | 1 | SCANNER SEAL SPONGE | | |
| 6 | UL6740001 | 1 | LASER CAUTION LABEL | | |
| 7 | UL6741001 | 1 | TONER CAUTION LABEL | | |



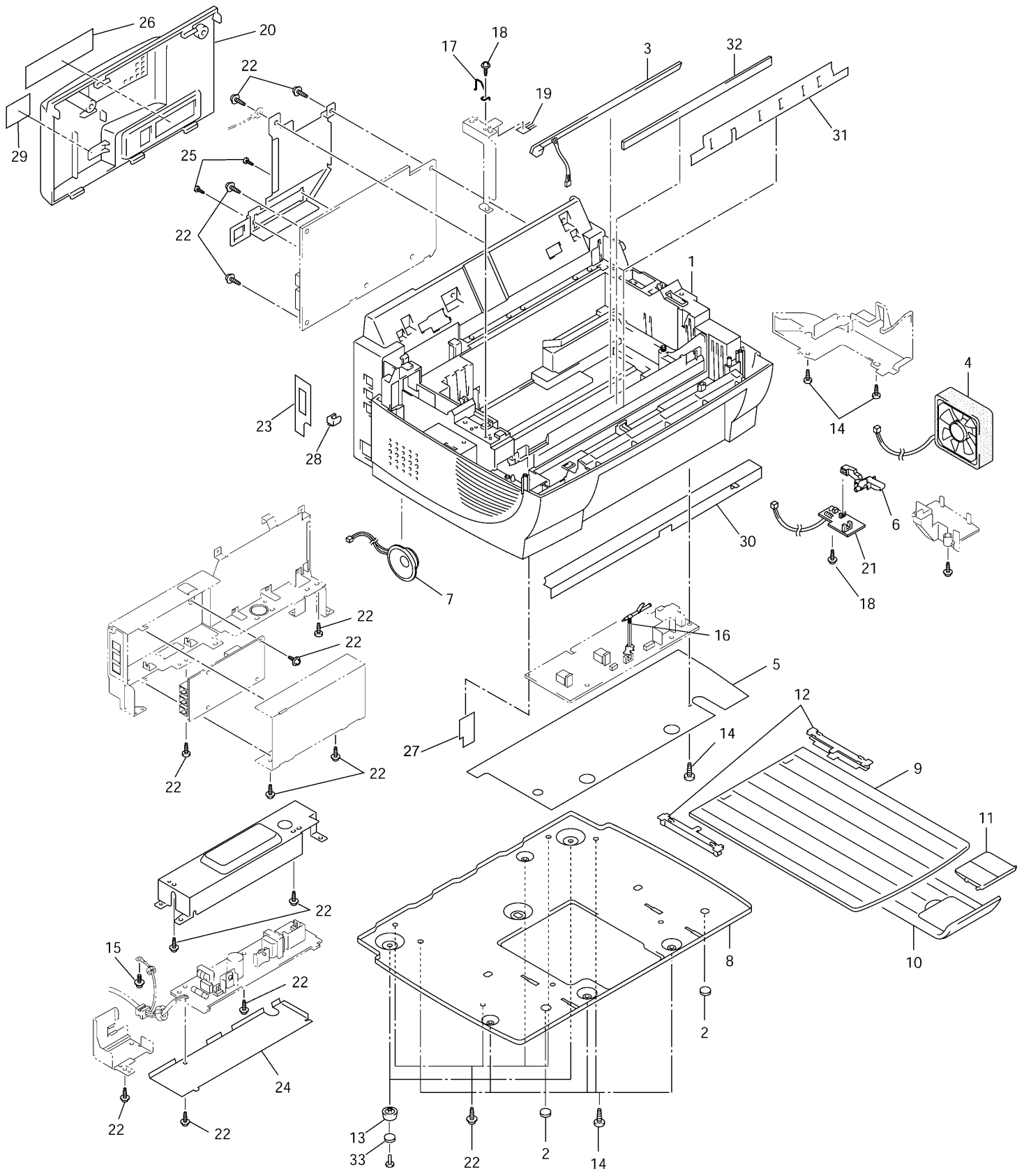
LIST3(PAPER FEED)

| REF No. | CODE | QTY | DESCRIPTION | RECOMMEND | REMARK |
|---------|-----------|-----|----------------------------------|-----------|--------|
| 1 | LE1833001 | 1 | PAPER FEED BASE ASSY, GRAY(1495) | | |
| 1-1 | LE1844001 | 1 | PLATE SPRING | | |
| 1-2 | LE1943001 | 1 | SEPARATION PAD ASSY | | |
| 1-3 | UL5184001 | 1 | SEPARATION PAD SPRING | | |
| 1-4 | LE1945001 | 1 | PAPER PULL-IN ROLLER | | |
| 1-5 | LF4230001 | 1 | PAWLED BUSHING L | | CHG |
| 1-6 | LE1845001 | 1 | REGISTRATION SENSOR ACTUATOR | | |
| 1-7 | UL6654001 | 1 | PAPER FEED ROLLER | | |
| 1-8 | UF0026001 | 2 | PAWLED BUSHING R | | |
| 1-9 | UL6659001 | 1 | CHUTE FILM | | |
| 1-10 | LJ5219001 | 1 | ANTI-STATIC BRUSH | | |
| 1-11 | U04887001 | 3 | TAPTITE, BIND B M2.6X8 | | |
| 1-12 | LE7019001 | 1 | BLACK FILM | | |
| 2 | LE1834001 | 1 | RELEASE LEVER, PURPLE(6255) | | |
| 3 | LE7136001 | 1 | RELEASE LEVER LABEL | | |
| 4 | LE1835001 | 1 | RELEASE LEVER SPRING | | |
| 5 | 085411015 | 1 | TAPTITE, BIND B M4X10 | | |
| 6 | 085411215 | 2 | TAPTITE, BIND B M4X12 | | |
| 7 | LE1837001 | 1 | RELEASE CAM | | |



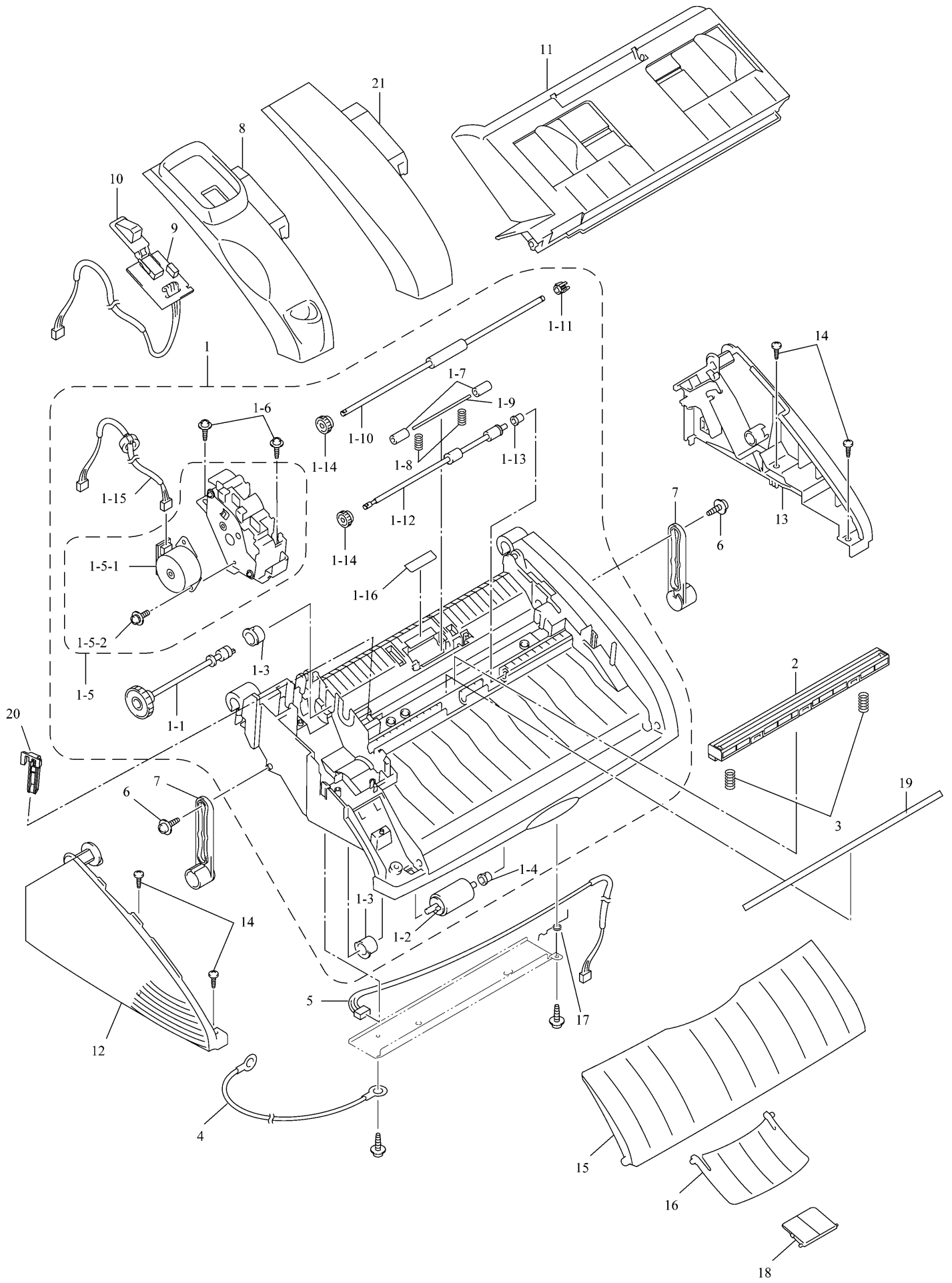
LIST4(FIXING UNIT)

| REF No. | CODE | QTY | DESCRIPTION | RECOMMEND | REMARK |
|---------|-----------|-----|-----------------------------|-----------|--------|
| 1 | LE7343001 | 1 | FIXING UNIT, 230V(SP) | √ | |
| 1-1 | LE1849001 | 1 | THERMISTER ASSY | | |
| 1-2 | 087311415 | 1 | TAPTITE, CUP B M3X14 | | |
| 1-3 | LE7302001 | 1 | HEAT ROLLER CLEANER FELT | | |
| 1-4 | LE1850001 | 1 | HEAT ROLLER | | |
| 1-5 | UH3178000 | 2 | HEAT ROLLER SHAFT HOLDER | | |
| 1-6 | LE7133001 | 1 | TUNGSTEN HOLOGEN LAMP, 230V | | |
| 1-7 | UH3182000 | 1 | FEEDER ELECTRODE PLATE | | |
| 1-8 | 083311016 | 1 | TAPTITE, PAN B M3X10 | | CHG |
| 1-9 | LJ4820001 | 1 | SCREW, PAN(WASHER) M2.6X6DA | | |
| 1-10 | UH3323001 | 2 | EJECT PINCH ROLLER ASSY | | |
| 1-11 | UL6682001 | 4 | PINCH SPRING | | |
| 1-12 | 085311216 | 2 | TAPTITE, BIND B M3X12 | | |
| 1-13 | LE7043001 | 1 | CLEANER ASSY | | |
| 1-14 | ---- | | NOT USED | | |
| 1-15 | UH3324001 | 2 | EJECTION PRESSURE ROLLER | | |
| 2 | 087411616 | 2 | TAPTITE, CUP B M4X16 | | |



LIST5(MAIN COVER)

| REF No. | CODE | QTY | DESCRIPTION | RECOMMEND | REMARK |
|---------|-----------|-----|---|-----------|--------|
| 1 | LE1786001 | 1 | MAIN COVER, GRAY(1495) | | |
| 2 | LE7299001 | 2 | RUBBER FOOT(FRONT) | | |
| 3 | LE1863001 | 1 | EL BOARD | | |
| 4 | LF2520001 | 1 | FAN MOTOR ASSY | | chg |
| 5 | LE1865001 | 1 | HIGH-VOLTAGE INSULATOR SHEET | | |
| 6 | LE1866001 | 1 | TOP COVER SENSOR ACTUATOR | | |
| 7 | LG3166001 | 1 | SPEAKER UNIT | | |
| 8 | LF2503001 | 1 | BOTTOM PLATE | | chg |
| 9 | LE1870001 | 1 | PAPER EJECTION TRAY | | |
| 10 | LE1871001 | 1 | PAPER EJECTION SUB TRAY | | |
| 11 | LJ5599001 | 1 | PAPER STOPPER | | |
| 12 | LE1872001 | 2 | PAPER EJECT TRAY HOLDER | | |
| 13 | LF2504001 | 2 | BOTTOM LEG | | chg |
| 14 | 085411215 | 12 | SCREW, BIND B TITE 4X12 | | |
| 15 | UF6559001 | 1 | SCREW, PAN (WASHER) M4X8DB | | |
| 16 | LE1874001 | 1 | PAPER EJECT SENSOR ACTUATOR | | |
| 17 | LE1968001 | 1 | SCANNING GROUND SPRING | | |
| 18 | 087310815 | 2 | TAPTITE, CUP B M3X8 | | |
| 19 | LE1876001 | 1 | ANTI-STATIC BRUSH | | |
| 20 | LE1877001 | 1 | BOARD ACCESS COVER | | |
| 21 | LG3168001 | 1 | REGISTRATION SENSOR PCB ASSY | | |
| 22 | 087320616 | 18 | TAPTITE, CUP S M3X6 | | |
| 23 | ---- | | NOT USED | | |
| 24 | LF6629001 | 1 | LOW-VOLTAGE INSULATOR SHEET | | CHG |
| 25 | 083321416 | 2 | TAPTITE, PAN S M3X14 | | chg |
| 26 | LE7141001 | 1 | ACCESS COVER SHEET, FAX8070P | | |
| 27 | LE7898001 | 1 | PROTECTION FILM | | |
| 28 | UF5745000 | 1 | MJ COVER, EXT FOR GER/UK/FRA/BEL/FIN/DEN/AUS/ITA/ZAF/SWE | | chg |
| 29 | ---- | | NOT USED | | |
| 30 | LE1967001 | 1 | DUCT FILE | | add |
| 31 | UU7047001 | 1 | HEAT INSULATION SHEET | | add |
| 32 | UU7048001 | 1 | LABEL SPONGE | | add |
| 33 | LF2505001 | 2 | RUBBER FOOT(REAR) | | chg |



LIST6(TOP COVER)

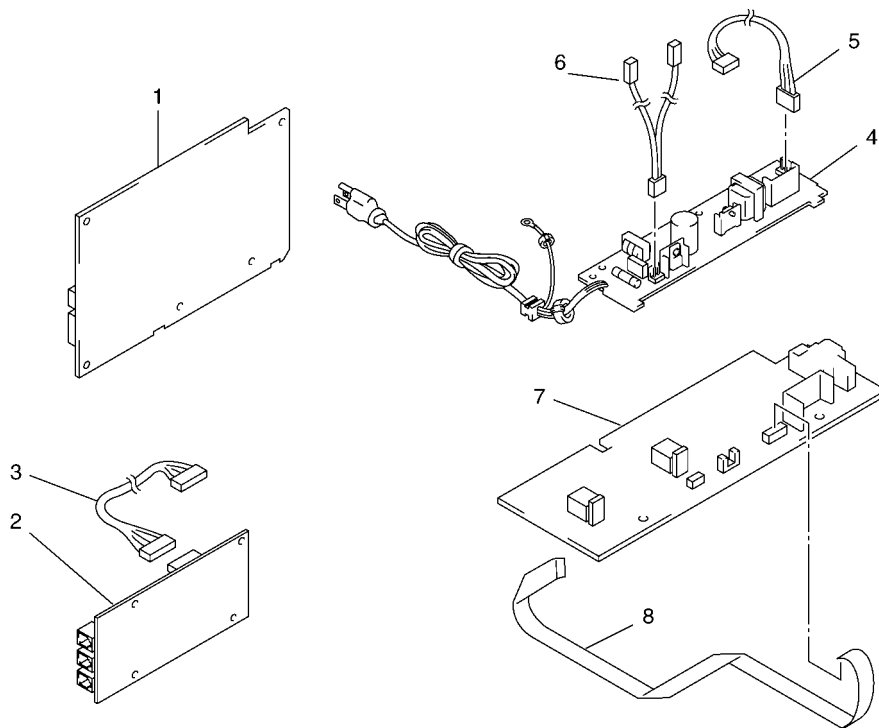
| REF No. | CODE | QTY | DESCRIPTION | RECOMMEND | REMARK |
|---------|-----------|-----|---|-----------|--------|
| 1 | LE1950001 | 1 | TOP COVER ASSY, GRAY(1495) | | |
| 1-1 | LE1814001 | 1 | SEPARATION ROLLER GEAR | | |
| 1-2 | UF5511001 | 1 | SEPARATION ROLLER | | CHG |
| 1-3 | LE6325001 | 2 | BUSHING L | | |
| 1-4 | LE6326001 | 1 | BUSHING R | | |
| 1-5 | LE1808001 | 1 | SCANNER DRIVE UNIT | | |
| 1-5-1 | LE7039001 | 1 | SCANNER MOTOR | | |
| 1-5-2 | 0A4300605 | 1 | SCREW, PAN (S/P WASHER) M3X6 | | |
| 1-6 | 087310815 | 2 | TAPTITE, CUP B M3X8 | | |
| 1-7 | UF9009001 | 2 | PRESSURE ROLLER | | |
| 1-8 | LE2472001 | 2 | PRESSURE ROLLER SPRING | | |
| 1-9 | LE2471001 | 1 | PRESSURE ROLLER SHAFT | | |
| 1-10 | LE1816001 | 1 | DOCUMENT FEED ROLLER | | |
| 1-11 | UL6642000 | 1 | PAWLED BUSHING | | |
| 1-12 | LE7135001 | 1 | DOCUMENT EJECTION ROLLER ASSY | | |
| 1-13 | UF9949001 | 1 | EJECTION ROLLER BUSHING | | |
| 1-14 | LE1196001 | 2 | DOCUMENT FEED/EJECTION ROLLER GEAR | | |
| 1-15 | LG3171001 | 1 | SCANNER MOTOR HARNESS | | |
| 1-16 | UU7364001 | 1 | SEPARATION ROLLER FILM | | |
| 2 | LG3157001 | 1 | CIS UNIT | √ | |
| 3 | UU2028001 | 2 | CIS SPRING | | |
| 4 | LG3207001 | 1 | FG WIRE | | |
| 5 | LG3741001 | 1 | CIS HARNESS | | |
| 6 | LE4199001 | 2 | TAPTITE, PAN B M4X6D10 | | |
| 7 | LE1884001 | 2 | LINK STOPPER | | |
| 8 | LE1949001 | 1 | HS HOLDER, MFC4800 | | add |
| 9 | LG3397001 | 1 | HOOK PCB ASSY, FAX8070P/MFC9070 | | |
| 9 | LG3735001 | 1 | HOOK PCB ASSY, MFC9030 | | |
| 9 | LG3202001 | 1 | HOOK PCB ASSY, MFC4800 | | add |
| 10 | UF8167008 | 1 | ACTUATOR HOOK, MFC4800 | | add |
| 11 | LE1885001 | 1 | DOCUMENT BASE ASSY, GRAY(1495) | | |
| 12 | LE1889001 | 1 | SIDE COVER L | | |
| 13 | LE1890001 | 1 | SIDE COVER R | | |
| 14 | 085411215 | 4 | SCREW, BIND B TITE 4X12 | | |
| 15 | LE1891001 | 1 | DOCUMENT EJECTION TRAY | | |
| 16 | LE1892001 | 1 | DOCUMENT EJECTION SUB TRAY | | |
| 17 | LE8109001 | 1 | FEED ROLLER GROUNDING SPRING | | |
| 18 | ---- | | NOT USED | | |
| 19 | ---- | | NOT USED | | |
| 20 | ---- | | NOT USED | | |
| 21 | LE7134001 | 1 | W/O HANDSET COVER, MFC8070P/MFC9030/MFC9070 | | |

LIST7(CONTROL PANEL)

| REF No. | CODE | QTY | DESCRIPTION | RECOMMEND | REMARK |
|---------|-----------|-----|---|-----------|--------|
| 1 | LE7229001 | 1 | CONTROL PANEL ASSY, GRAY(1495), FAX8070P FOR GER/AUS | √ | |
| 1 | LE8033001 | 1 | CONTROL PANEL ASSY, GRAY(1495), MFC9030 FOR GER | √ | |
| 1 | LE7244001 | 1 | CONTROL PANEL ASSY, GRAY(1495), MFC9070 FOR GER/AUS | √ | |
| 1 | LE7235001 | 1 | CONTROL PANEL ASSY, GRAY(1495), FAX8070P FOR UK/BEL/CHE/IRE/POL | √ | |
| 1 | LE8042001 | 1 | CONTROL PANEL ASSY, GRAY(1495), MFC9030 FOR UK | √ | |
| 1 | LE7252001 | 1 | CONTROL PANEL ASSY, GRAY(1495), MFC9070 FOR UK/BEL/CHE/IRE/ZAF/POL/GNR | √ | |
| 1 | LE7241001 | 1 | CONTROL PANEL ASSY, GRAY(1495), FAX8070P FOR FRA | √ | |
| 1 | LE8046001 | 1 | CONTROL PANEL ASSY, GRAY(1495), MFC9030 FOR FRA | √ | |
| 1 | LE7255001 | 1 | CONTROL PANEL ASSY, GRAY(1495), MFC9070 FOR FRA | √ | |
| 1 | LE7507001 | 1 | CONTROL PANEL ASSY, GRAY(1495), FAX8070P FOR NOR | √ | |
| 1 | LE7484001 | 1 | CONTROL PANEL ASSY, GRAY(1495), MFC9070 FOR NOR | √ | |
| 1 | LE7525001 | 1 | CONTROL PANEL ASSY, GRAY(1495), FAX8070P FOR NLD | √ | |
| 1 | LE7497001 | 1 | CONTROL PANEL ASSY, GRAY(1495), MFC9070 FOR NLD | √ | |
| 1 | LE7705001 | 1 | CONTROL PANEL ASSY, GRAY(1495), FAX8070P FOR FIN | √ | |
| 1 | LE7544001 | 1 | CONTROL PANEL ASSY, GRAY(1495), FAX8070P FOR DEN | √ | |
| 1 | LE7513001 | 1 | CONTROL PANEL ASSY, GRAY(1495), MFC9070 FOR DEN | √ | |
| 1 | LE7549001 | 1 | CONTROL PANEL ASSY, GRAY(1495), FAX8070P FOR SPA | √ | |
| 1 | LE7520001 | 1 | CONTROL PANEL ASSY, GRAY(1495), MFC9070 FOR SPA | √ | |
| 1 | LE7553001 | 1 | CONTROL PANEL ASSY, GRAY(1495), FAX8070P FOR ITA | √ | |
| 1 | LE7529001 | 1 | CONTROL PANEL ASSY, GRAY(1495), MFC9070 FOR ITA | √ | |
| 1 | LE7557001 | 1 | CONTROL PANEL ASSY, GRAY(1495), FAX8070P FOR SWE | √ | |
| 1 | LE7534001 | 1 | CONTROL PANEL ASSY, GRAY(1495), MFC9070 FOR SWE | √ | |
| 1 | LF2466001 | 1 | CONTROL PANEL ASSY, MFC4800 | √ | add |
| 1-1 | LE7126001 | 1 | CONTROL PANEL, FAX8070P FOR GER/AUS | | |
| 1-1 | LE7123001 | 1 | CONTROL PANEL, MFC9030/MFC9070 FOR GER/AUS | | |
| 1-1 | LE7128001 | 1 | CONTROL PANEL, FAX8070P FOR UK/BEL/CHE/IRE/POL | | |
| 1-1 | LE7125001 | 1 | CONTROL PANEL, MFC9030/MFC9070 FOR UK/BEL/CHE/IRE/ZAF/POL/GNR | | |
| 1-1 | LE7127001 | 1 | CONTROL PANEL, FAX8070P FOR FRA | | |
| 1-1 | LE7124001 | 1 | CONTROL PANEL, MFC9030/MFC9070 FOR FRA | | |
| 1-1 | LE7508001 | 1 | CONTROL PANEL, FAX8070P FOR NOR | | |
| 1-1 | LE7485001 | 1 | CONTROL PANEL, MFC9070 FOR NOR | | |
| 1-1 | LE7526001 | 1 | CONTROL PANEL, FAX8070P FOR NLD | | |
| 1-1 | LE7498001 | 1 | CONTROL PANEL, MFC9070 FOR NLD | | |
| 1-1 | LE7706001 | 1 | CONTROL PANEL, FAX8070P FOR FIN | | |
| 1-1 | LE7545001 | 1 | CONTROL PANEL, FAX8070P FOR DEN | | |
| 1-1 | LE7514001 | 1 | CONTROL PANEL, MFC9070 FOR DEN | | |
| 1-1 | LE7550001 | 1 | CONTROL PANEL, FAX8070P FOR SPA | | |
| 1-1 | LE7521001 | 1 | CONTROL PANEL, MFC9070 FOR SPA | | |
| 1-1 | LE7554001 | 1 | CONTROL PANEL, FAX8070P FOR ITA | | |
| 1-1 | LE7530001 | 1 | CONTROL PANEL, MFC9070 FOR ITA | | |
| 1-1 | LE7558001 | 1 | CONTROL PANEL, FAX8070P FOR SWE | | |
| 1-1 | LE7535001 | 1 | CONTROL PANEL, MFC9070 FOR SWE | | |
| 1-1 | LF2467001 | 1 | CONTROL PANEL, MFC4800 | | add |
| 1-2 | LE4073003 | 1 | KEY, TEN, GRAY(1495) | | |
| 1-3 | LJ4285004 | 1 | KEY, START, PURPLE(6255) | | |
| 1-4 | LE6171002 | 1 | KEY, COPY, GREEN(5159) | | |
| 1-5 | LE6171004 | 1 | KEY, STOP, PINK(2205) | | |
| 1-6 | LE6168001 | 2 | KEY, CURSOR L, PURPLE(6255) | | |
| 1-7 | LE6169001 | 2 | KEY, CURSOR S, PURPLE(6255) | | |

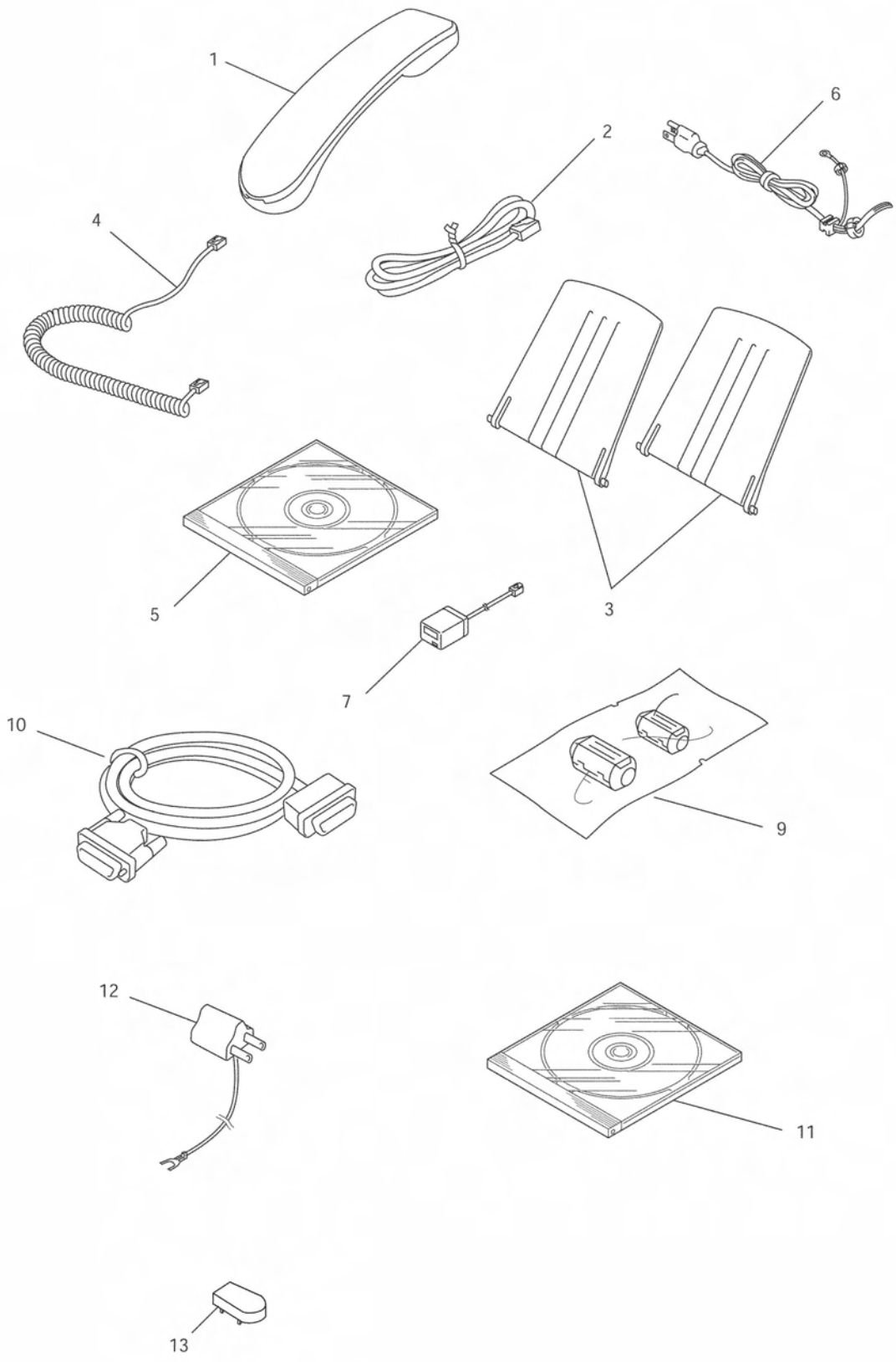
LIST7(CONTROL PANEL)

| REF No. | CODE | Q'TY | DESCRIPTION | RECOMMEND | REMARK |
|---------|-----------|------|--|-----------|--------|
| 1-8 | LE6350001 | 1 | KEY, MENU FOR GER/AUS <GERMAN> | | |
| 1-8 | LE6079001 | 1 | KEY, MENU FOR UK/FRA/NOR/BEL/NLD/CHE/ IRE/FIN/DEN/SPA/ ITA/ZAF/POL/RUS/GNR <ENGLISH> | | |
| 1-9 | LE7276001 | 13 | KEY, CYLINDER 6, GRAY(1495) | | |
| 1-10 | LG3394001 | 1 | PANEL PCB ASSY, FAX8070P/MFC9070 | | |
| 1-10 | LG3173001 | 1 | PANEL PCB ASSY, MFC9030/MFC4800 | | |
| 1-11 | LG3393001 | 1 | LCD, FAX8070P/MFC9070 | | |
| 1-11 | LG5340001 | 1 | LCD, MFC9030 | | chg |
| 1-11 | LG5341001 | 1 | LCD, MFC4800 | | chg |
| 1-12 | LE7129001 | 1 | BACKLIGHT HOLDER, FAX8070P/MFC9030 | | |
| 1-13 | LE7130001 | 1 | BACKLIGHT DIFFUSER, FAX8070P/MFC9030 | | |
| 1-14 | LG3248001 | 1 | KEY, FPC ASSY | | |
| 1-15 | LE1925001 | 1 | PANEL REAR COVER | | |
| 1-16 | LE6342001 | 1 | DOCUMENT PRESSURE BAR ASSY | | |
| 1-17 | UU2057001 | 1 | DOCUMENT PRESSURE BAR SPRING | | |
| 1-18 | LF6077001 | 1 | SEPARATION RUBBER | | chg |
| 1-19 | UU7105001 | 1 | ADF PLATE SPRING | | |
| 1-20 | LE1961001 | 1 | FRONT PLATE SPRING | | |
| 1-21 | UF5034001 | 1 | TAPTITE, B 3X6 | | |
| 1-22 | LE6176001 | 1 | ACTUATOR F | | |
| 1-23 | LE6177001 | 1 | ACTUATOR R | | |
| 1-24 | UF9009001 | 2 | PINCH ROLLER | | |
| 1-25 | LE1927001 | 1 | PINCH ROLLER SPRING | | |
| 1-26 | LE2471001 | 1 | PRESSURE ROLLER SHAFT | | |
| 1-27 | LE1071001 | 1 | ANTI-STATIC BRUSH 79MM | | |
| 1-28 | LE7298001 | 1 | ANTI-STATIC BRUSH 65MM | | |
| 1-29 | 087310815 | 2 | TAPTITE, CUP B M3X8 | | |
| 2 | LE7132001 | 1 | PANEL SHEET, FAX8070P | | |
| 2 | LE8034001 | 1 | PANEL SHEET, MFC9030 | | |
| 2 | LE7131001 | 1 | PANEL SHEET, MFC9070 | | |
| 2 | LE1954001 | 1 | PANEL SHEET, MFC4800 | | add |
| 3 | LE5308001 | 1 | ADDRESS LABEL, FAX8070P | | |
| 4 | LG6325001 | 1 | FPC YL4MFC BASE | | ADD |
| 5 | LG6326001 | 1 | FPC YL4MFC KEY | | ADD |



LIST8(PCB)

| REF No. | CODE | QTY | DESCRIPTION | RECOMMEND | REMARK |
|---------|-----------|-----|--|-----------|--------|
| 1 | LG3388001 | 1 | MAIN PCB ASSY, FAX8070P | √ | |
| 1 | LG3736001 | 1 | MAIN PCB ASSY, MFC9030 | √ | |
| 1 | LG3385001 | 1 | MAIN PCB ASSY, MFC9070 EXCEPT FOR GNR | √ | chg |
| 1 | LG3385002 | 1 | MAIN PCB ASSY, MFC9070 FOR GNR | √ | add |
| 1 | LG3390001 | 1 | MAIN PCB ASSY, MFC4800 | √ | ADD |
| 2 | LG3490031 | 1 | NCU PCB ASSY FOR GER/CHE | √ | |
| 2 | LG2810014 | 1 | NCU PCB ASSY FOR UK/NOR/FIN/DEN/ZAF/SWE/GNR | √ | |
| 2 | LG3490032 | 1 | NCU PCB ASSY FOR FRA/BEL/NLD/IRE/AUS/SPA/ITA | √ | |
| 2 | LG2821001 | 1 | NCU PCB ASSY FOR POL | √ | |
| 2 | LG2820001 | 1 | NCU PCB ASSY FOR RUS | √ | ADD |
| 3 | LG3491001 | 1 | NCU HARNESS | | |
| 4 | LG5123001 | 1 | LOW-VOLTAGE POWER SUPPLY PCB ASSY | √ | chg |
| 4 | LG5125001 | 1 | LOW-VOLTAGE POWER SUPPLY PCB ASSY FOR RUS | √ | ADD |
| 5 | LG3195001 | 1 | LV HARNESS | | |
| 6 | LG3196001 | 1 | HEATER HARNESS | | |
| 7 | LG5009001 | 1 | HIGH-VOLTAGE POWER SUPPLY PCB ASSY | √ | chg |
| 8 | LG3198001 | 1 | HV HARNESS | | |
| (9) | LG3429001 | 1 | BATTERY | | |



LIST9(Accessories)

| REF No. | CODE | QTY | DESCRIPTION | RECOMMEND | REMARK |
|---------|----------------------|--------------|---|-----------|--------|
| 1 | LE5803011 | 1 | HANDSET ASSY, MFC4800 | | add |
| 2 | UG3625001 | 1 | TELEPHONE LINE CORD FOR GER | | |
| 2 | UG3626001 | 1 | TELEPHONE LINE CORD FOR UK/ZAF | | |
| 2 | UG3627001 | 1 | TELEPHONE LINE CORD FOR FRA | | |
| 2 | UG3629001 | 1 | TELEPHONE LINE CORD FOR NOR | | |
| 2 | UG1575001 | 1 | TELEPHONE LINE CORD FOR BEL | | |
| 2 | LG3077001 | 1 | TELEPHONE LINE CORD FOR NLD/IRE/SPA/POL/RUS/GNR | | |
| 2 | UG3469000 | 1 | TELEPHONE LINE CORD FOR CHE | | |
| 2 | LG5827001 | 1 | TELEPHONE LINE CORD FOR FIN/DEN/SWE | | CHG |
| 2 | UG3633004 | 4 | TELEPHONE LINE CORD FOR DEN | | DEL |
| 2 | LG4566004 | 4 | TELEPHONE PLUG FOR DEN | | del |
| 2 | UG4205001 | 1 | TELEPHONE LINE CORD FOR AUS | | |
| 2 | UG3634001 | 1 | TELEPHONE LINE CORD FOR ITA | | |
| 2 | UG3635004 | 4 | TELEPHONE LINE CORD FOR SWE | | DEL |
| 3 | UU2080008 | 2 | DOCUMENT SET TRAY ASSY, CLEAR PURPLE(6342) | | |
| 4 | LG3768011 | 1 | HANDSET CURLED CORD ASSY, MFC4800 | | add |
| 5 | LE8035001 | 1 | CD-ROM ASSY, MFC9030 FOR GER/UK/FRA | | |
| 5 | LE7899001 | 1 | CD-ROM ASSY<GERMAN/ENGLISH/FRENCH>, MFC9070 FOR GER/UK/FRA/BEL/CHE/IRE/AUS/ZAF/ POL | | |
| 5 | LE7499001 | 1 | CD-ROM ASSY<DUTCH/FRENCH/ITALIAN/SPANISH>, MFC9070 FOR BEL/NLD/SPA/ITA | | |
| 5 | LE7486001 | 1 | CD-ROM ASSY <ENGLISH/NORWEGIAN/DANISH/SWEDISH>, MFC9070 FOR NOR/DEN/SWE/GNR | | |
| 5 | LF2485001 | 1 | CDROM ASSY, MFC4800 | | add |
| 6 | LG2085001 | 1 | AC CORD FOR GER/FRA/NOR/BEL/NLD/FIN/AUS/SPA/ITA/SWE/ POL/RUS/GNR(VDE) | √ | |
| 6 | LG2086001 | 1 | AC CORD FOR UK/IRE(BS) | √ | |
| 6 | LG2087001 | 1 | AC CORD FOR CHE(SEV) | √ | |
| 6 | LG2181001 | 1 | AC CORD FOR DEN(DEMCO) | √ | |
| 6 | LG3661001 | 1 | AC CORD FOR ZAF(SAF) | √ | |
| 7 | ---- | | NOT USED | | |
| (8) | ---- | | NOT USED | | |
| 9 | ---- | | NOT USED | | |
| 10 | UG4558001 | 1 | PARALLEL INTERFACE CABLE, MFC9070 FOR GER/UK/IRE/AUS/ZAF/POL/GNR | | |
| 11 | LE8787001 | 1 | CD-ROM ASSY XP, MFC9030 FOR GER/UK/FRA | | add |
| 11 | LE8784001 | 1 | CD-ROM ASSY XP, MFC9070 FOR GER/UK/FRA/CHE/IRE/AUS/ZAF/POL | | add |
| 11 | LE8786001 | 1 | CD-ROM ASSY XP, MFC9070 FOR NOR/DEN/SWE/GNR | | add |
| 11 | LE8785001 | 1 | CD-ROM ASSY XP, MFC9070 FOR BEL/NLD/SPA/ITA | | add |
| 12 | ---- | | NOT USED | | |
| 13 | LG5829001 | 1 | TELEPHONE PLUG FOR FIN | | ADD |
| 13 | LG5828001 | 1 | TELEPHONE PLUG FOR DEN | | ADD |
| 13 | LG5830001 | 1 | TELEPHONE PLUG FOR FIN | | ADD |

LIST10(PRINTED MATERIAL)

| REF No. | CODE | Q'TY | DESCRIPTION | RECOMMEND | REMARK |
|---------|-----------|------|--|-----------|--------|
| (1) | LF2513001 | 1 | OWNER'S MANUAL ASSY, FAX8070P FOR GER (INCLUDING OWNER'S MANUAL, WARRANTY CARD, ADDRESS LABEL, 3YR GUARANTEE CARD) | √ | add |
| (1) | LE7231001 | 1 | OWNER'S MANUAL ASSY, FAX8070P FOR GER/AUS (INCLUDING OWNER'S MANUAL, WARRANTY CARD, ADDRESS LABEL) | √ | |
| (1) | LF2514001 | 1 | OWNER'S MANUAL ASSY, MFC9070 FOR GER (INCLUDING OWNER'S MANUAL, WARRANTY CARD, LICENSE AGREEMENT SHEET, 3YR GUARANTEE CARD) | √ | add |
| (1) | LE7248001 | 1 | OWNER'S MANUAL ASSY, MFC9030/MFC9070 FOR GER (INCLUDING OWNER'S MANUAL, WARRANTY CARD, LICENSE AGREEMENT SHEET) | √ | |
| (1) | LE8088001 | 1 | OWNER'S MANUAL ASSY, MFC9030 FOR GER (INCLUDING OWNER'S MANUAL, WARRANTY CARD, LICENSE AGREEMENT SHEET, 3YR GUARANTEE CARD) | √ | add |
| (1) | LE7238001 | 1 | OWNER'S MANUAL ASSY, FAX8070P FOR UK (INCLUDING OWNER'S MANUAL, 3 WARRANTY CARDS, ADDRESS LABEL) | √ | |
| (1) | LE8101001 | 1 | OWNER'S MANUAL ASSY, MFC9030/MFC9070 FOR UK (INCLUDING OWNER'S MANUAL, 3 WARRANTY CARDS, LICENSE AGREEMENT SHEET) | √ | |
| (1) | LE7242001 | 1 | OWNER'S MANUAL ASSY, FAX8070P FOR FRA (INCLUDING OWNER'S MANUAL, 2 WARRANTY CARDS, ADDRESS LABEL) | √ | |
| (1) | LE8105001 | 1 | OWNER'S MANUAL ASSY, MFC9030/MFC9070 FOR FRA (INCLUDING OWNER'S MANUAL, 2 WARRANTY CARDS, LICENSE AGREEMENT SHEET) | √ | |
| (1) | LE7561001 | 1 | OWNER'S MANUAL ASSY, FAX8070P FOR NOR (INCLUDING OWNER'S MANUAL, WARRANTY CARD, ADDRESS LABEL) | √ | |
| (1) | LE7489001 | 1 | OWNER'S MANUAL ASSY, MFC9070 FOR NOR (INCLUDING OWNER'S MANUAL, WARRANTY CARD, LICENSE AGREEMENT SHEET) | √ | |
| (1) | LE7562001 | 1 | OWNER'S MANUAL ASSY, FAX8070P FOR BEL (INCLUDING 2 OWNER'S MANUALS, WARRANTY CARD, ADDRESS LABEL) | √ | |
| (1) | LE7492001 | 1 | OWNER'S MANUAL ASSY, MFC9070 FOR BEL (INCLUDING 2 OWNER'S MANUALS, WARRANTY CARD, LICENSE AGREEMENT SHEET) | √ | |
| (1) | LE7563001 | 1 | OWNER'S MANUAL ASSY, FAX8070P FOR NLD (INCLUDING OWNER'S MANUAL, WARRANTY CARD, ADDRESS LABEL) | √ | |
| (1) | LE7502001 | 1 | OWNER'S MANUAL ASSY, MFC9070 FOR NLD (INCLUDING OWNER'S MANUAL, WARRANTY CARD, LICENSE AGREEMENT SHEET) | √ | |
| (1) | LE7564001 | 1 | OWNER'S MANUAL ASSY, FAX8070P FOR CHE (INCLUDING 2 OWNER'S MANUALS, WARRANTY CARD, ADDRESS LABEL) | √ | |
| (1) | LE7504001 | 1 | OWNER'S MANUAL ASSY, MFC9070 FOR CHE (INCLUDING 2 OWNER'S MANUALS, WARRANTY CARD, LICENSE AGREEMENT SHEET) | √ | |
| (1) | LE7569001 | 1 | OWNER'S MANUAL ASSY, FAX8070P FOR IRE (INCLUDING OWNER'S MANUAL, WARRANTY CARD, ADDRESS LABEL) | √ | |
| (1) | LE7511001 | 1 | OWNER'S MANUAL ASSY, MFC9070 FOR IRE (INCLUDING OWNER'S MANUAL, WARRANTY CARD, LICENSE AGREEMENT SHEET) | √ | |
| (1) | LE7707001 | 1 | OWNER'S MANUAL ASSY, FAX8070P FOR FIN (INCLUDING OWNER'S MANUAL, ADDRESS LABEL) | √ | |
| (1) | LE7565001 | 1 | OWNER'S MANUAL ASSY, FAX8070P FOR DEN (INCLUDING OWNER'S MANUAL, WARRANTY CARD, ADDRESS LABEL) | √ | |
| (1) | LE7515001 | 1 | OWNER'S MANUAL ASSY, MFC9070 FOR DEN (INCLUDING OWNER'S MANUAL, WARRANTY CARD, LICENSE AGREEMENT SHEET) | √ | |
| (1) | LE7566001 | 1 | OWNER'S MANUAL ASSY, FAX8070P FOR SPA (INCLUDING OWNER'S MANUAL, 2 WARRANTY CARDS, ADDRESS LABEL) | √ | |
| (1) | LE7522001 | 1 | OWNER'S MANUAL ASSY, MFC9070 FOR SPA (INCLUDING OWNER'S MANUAL, 2 WARRANTY CARDS, LICENSE AGREEMENT SHEET) | √ | |

LIST10(PRINTED MATERIAL)

| REF No. | CODE | Q'TY | DESCRIPTION | RECOMMEND | REMARK |
|---------|-----------|------|--|-----------|--------|
| (1) | LE7567001 | 1 | OWNER'S MANUAL ASSY, FAX8070P FOR ITA (INCLUDING OWNER'S MANUAL, WARRANTY CARD, ADDRESS LABEL) | √ | |
| (1) | LE7531001 | 1 | OWNER'S MANUAL ASSY, MFC9070 FOR ITA (INCLUDING OWNER'S MANUAL, WARRANTY CARD, LICENSE AGREEMENT SHEET) | √ | |
| (1) | LE7539001 | 1 | OWNER'S MANUAL ASSY, MFC9070 FOR ZAF/GNR (INCLUDING OWNER'S MANUAL, LICENSE AGREEMENT SHEET) | √ | |
| (1) | LE7568001 | 1 | OWNER'S MANUAL ASSY, FAX8070P FOR SWE (INCLUDING OWNER'S MANUAL, 2 WARRANTY CARDS, ADDRESS LABEL) | √ | |
| (1) | LE7536001 | 1 | OWNER'S MANUAL ASSY, MFC9070 FOR SWE (INCLUDING OWNER'S MANUAL, 2 WARRANTY CARDS, LICENSE AGREEMENT SHEET) | √ | |
| (1) | LE8198001 | 1 | OWNER'S MANUAL ASSY, FAX8070P FOR POL (INCLUDING OWNER'S MANUAL, WARRANTY CARD, ADDRESS LABEL) | √ | |
| (1) | LE8202001 | 1 | OWNER'S MANUAL ASSY, MFC9070 FOR POL (INCLUDING OWNER'S MANUAL, WARRANTY CARD, LICENSE AGREEMENT SHEET) | √ | |
| (1) | LF2468001 | 1 | OWNER'S MANUAL ASSY, MFC4800 (INCLUDING OWNER'S MANUAL, LICENSE GUIDE) | √ | ADD |
| (1-1) | LE7232001 | 1 | OWNER'S MANUAL, FAX8070P FOR GER/AUS | | |
| (1-1) | LE7249001 | 1 | OWNER'S MANUAL, MFC9030 FOR GER | | |
| (1-1) | LE8086001 | 1 | OWNER'S MANUAL, MFC9030/MFC9070 FOR GER/AUS | | |
| (1-1) | LE8087004 | 1 | OWNER'S MANUAL FOR UK/IRE/ZAF/GNR | | |
| (1-1) | LE8087005 | 1 | OWNER'S MANUAL FOR FRA | | |
| (1-1) | LE7237007 | 1 | OWNER'S MANUAL FOR NOR | | |
| (1-1) | LE7237008 | 1 | OWNER'S MANUAL FOR BEL <DUTCH> | | |
| (1-1) | LE7493008 | 1 | OWNER'S MANUAL FOR BEL/CHE <FRENCH> | | |
| (1-1) | LE7237009 | 1 | OWNER'S MANUAL FOR NLD | | |
| (1-1) | LE7237010 | 1 | OWNER'S MANUAL FOR CHE <GERMAN> | | |
| (1-1) | LE7237012 | 1 | OWNER'S MANUAL FOR FIN | | |
| (1-1) | LE7237013 | 1 | OWNER'S MANUAL FOR DEN | | |
| (1-1) | LE7237015 | 1 | OWNER'S MANUAL FOR SPA | | |
| (1-1) | LE7237016 | 1 | OWNER'S MANUAL FOR ITA | | |
| (1-1) | LE7237026 | 1 | OWNER'S MANUAL FOR SWE | | |
| (1-1) | LE8087039 | 1 | OWNER'S MANUAL FOR POL | | |
| (1-1) | LF2384001 | 1 | OWNER'S MANUAL, MFC4800 | | ADD |

LIST11(PACKAGING)

| REF No. | CODE | QTY | DESCRIPTION | RECOMMEND | REMARK |
|---------|----------------------|--------------|--|-----------|--------|
| (1) | LE7233001 | 1 | CARTON, BROTHER, FAX8070P | √ | |
| (1) | LE8038001 | 1 | CARTON, BROTHER, MFC9030 | √ | |
| (1) | LE7250001 | 1 | CARTON, BROTHER, MFC9070 | √ | |
| (1) | LE7290001 | 1 | CARTON, BROTHER, MFC4800 | √ | ADD |
| (2) | LE1938001 | 1 | STYROFOAM ASSY | | |
| (3) | LE7033001 | 1 | PROTECTION SHEET(PANEL) | | |
| (4) | LJ5584001 | 1 | BAG, 700X800H | | |
| (5) | LE7046001 | 1 | CARTON, FOR MANUAL | | |
| (6) | UU0456001 | 1 | PROTECTION PAPER(ADF) | | |
| (7) | LE7413001 | 1 | START CARD, FAX8070P FOR GER/AUS | | |
| (7) | LE8040001 | 1 | START CARD, MFC9030 FOR GER | | |
| (7) | LE7416001 | 1 | START CARD, MFC9070 FOR GER/AUS | | |
| (7) | LE7414001 | 1 | START CARD, FAX8070P FOR UK/IRE | | |
| (7) | LE8044001 | 1 | START CARD, MFC9030/MFC9070 FOR UK/IRE/ZAF | | |
| (7) | LE7417001 | 4 | START CARD, MFC9070 FOR UK/IRE/ZAF | | |
| (7) | LE7415001 | 1 | START CARD, FAX8070P FOR FRA | | |
| (7) | LE8048001 | 1 | START CARD, MFC9030/MFC9070 FOR FRA | | |
| (7) | LE7418001 | 4 | START CARD, MFC9070 FOR FRA | | |
| (7) | LE7510001 | 1 | START CARD, FAX8070P FOR NOR | | |
| (7) | LE7491001 | 1 | START CARD, MFC9070 FOR NOR | | |
| (7) | LE7791001 | 1 | START CARD, FAX8070P FOR BEL/CHE <FRENCH> | | |
| (7) | LE7506001 | 1 | START CARD, MFC9070 FOR BEL/CHE <FRENCH> | | |
| (7) | LE7528001 | 1 | START CARD, FAX8070P FOR BEL <DUTCH> | | |
| (7) | LE7496001 | 1 | START CARD, MFC9070 FOR BEL <DUTCH> | | |
| (7) | LE7789001 | 1 | START CARD, FAX8070P FOR NLD | | |
| (7) | LE7790001 | 1 | START CARD, MFC9070 FOR NLD | | |
| (7) | LE7542001 | 1 | START CARD, FAX8070P FOR CHE <GERMAN> | | |
| (7) | LE7792001 | 1 | START CARD, MFC9070 FOR CHE <GERMAN> | | |
| (7) | LE7709001 | 1 | START CARD, FAX8070P FOR FIN | | |
| (7) | LE7547001 | 1 | START CARD, FAX8070P FOR DEN | | |
| (7) | LE7517001 | 1 | START CARD, MFC9070 FOR DEN | | |
| (7) | LE7552001 | 1 | START CARD, FAX8070P FOR SPA | | |
| (7) | LE7524001 | 1 | START CARD, MFC9070 FOR SPA | | |
| (7) | LE7556001 | 1 | START CARD, FAX8070P FOR ITA | | |
| (7) | LE7533001 | 1 | START CARD, MFC9070 FOR ITA | | |
| (7) | LE7538001 | 1 | START CARD, MFC9070 FOR SWE | | |
| (7) | LE7560001 | 1 | START CARD, FAX8070P FOR SWE | | |
| (7) | LE7538001 | 1 | START CARD, MFC9070 FOR SWE | | |
| (7) | LE8200001 | 1 | START CARD, FAX8070P FOR POL | | |
| (7) | LE8204001 | 1 | START CARD, MFC9070 FOR POL | | |
| (7) | LE7633001 | 1 | START CARD, MFC9070 FOR GNR | | |
| (7) | LF2388001 | 1 | START CARD, MFC4800 | | ADD |
| (8) | UL7932001 | 1 | BAG 400X480(FOR TONER/DRUM) | | |
| (9) | LE8254001 | 1 | QUICK SET UP GUIDE XP, MFC9030 FOR GER, MFC9070 FOR GER/CHE/AUS <GERMAN> | | chg |
| (9) | LE8252001 | 1 | QUICK SET UP GUIDE XP, MFC9030 FOR UK, MFC9070 FOR UK/IRE/ZAF/GNR | | chg |
| (9) | LE8253001 | 1 | QUICK SET UP GUIDE XP, MFC9030 FOR FRA, MFC9070 FOR FRA/BEL/CHE <FRENCH> | | chg |
| (9) | LE8258001 | 1 | QUICK SET UP GUIDE XP, MFC9070 FOR NOR | | chg |
| (9) | LE8255001 | 1 | QUICK SET UP GUIDE XP, MFC9070 FOR BEL/NLD <DUTCH> | | chg |
| (9) | LE8260001 | 1 | QUICK SET UP GUIDE XP, MFC9070 FOR DEN | | chg |
| (9) | LE8257001 | 1 | QUICK SET UP GUIDE XP, MFC9070 FOR SPA | | chg |
| (9) | LE8256001 | 1 | QUICK SET UP GUIDE XP, MFC9070 FOR ITA | | chg |
| (9) | LE8259001 | 1 | QUICK SET UP GUIDE XP, MFC9070 FOR SWE | | chg |
| (9) | LE8265001 | 1 | QUICK SET UP GUIDE XP, MFC9070 FOR POL | | chg |

brother[®]

8X5631
PL-FAX016
Ver. AA-1