



**FACSIMILE EQUIPMENT
PARTS REFERENCE LIST**

**MODEL: MFC8870DW / MFC8860DN
MFC8460N
DCP8065DN / DCP8060
(For Germany / United Kingdom /
France / Switzerland / Spain / Italy /
China / South Africa / Asia / India /
Russia / Oceania / Pan-Nordic /
Euro Generic)**

© Copyright Brother 2006

All rights reserved

No part of this publication may be reproduced in any form
or by any means without permission in writing from the
publisher.

Specifications are subject to change without prior notice.

NOTES FOR USING THIS PARTS REFERENCE LIST

1. In the case of ordering parts, it needs mentioning the following items:

- (1) Code
- (2) Q' ty
- (3) Description
- (4) Recommend (The \checkmark mark is attached to recommend parts at this column.)
- (5) Symbol (PCB No., Revision, and Parts location mounted on the PCB.)

Note: No orders without Parts Code or Tool No. can be accepted.

[Example]

	(1)	(2)	(3)	(4)	(5)	
REF.NO.	CODE	Q' TY	DESCRIPTION	RECOMMEND	SYMBOL	REMARKS

2. Design-changed parts:

When the parts are changed, any one of the following symbols is mentioned in the REMARKS column.

CHG (chg): The part is changed to a new part.

ADD (add): The part is newly added.

DEL (del): The part is deleted.

Symbol in capital letters indicates that the change is the latest one in the page.

3. Parts change will be informed by the technical information.

COUNTRIES

GERMANY ----- GER

UNITED KINGDOM ----- UK

FRANCE ---- FRA

SWITZERLAND ---- CHE

SPAIN ---- SPA

ITALY ---- ITA

CHINA ---- CHN

SOUTH AFRICA ---- ZAF

ASIA ---- ASA

INDIA ---- IND

RUSSIA ---- RUS

OCEANIA (ARL & NZ) ---- OCE

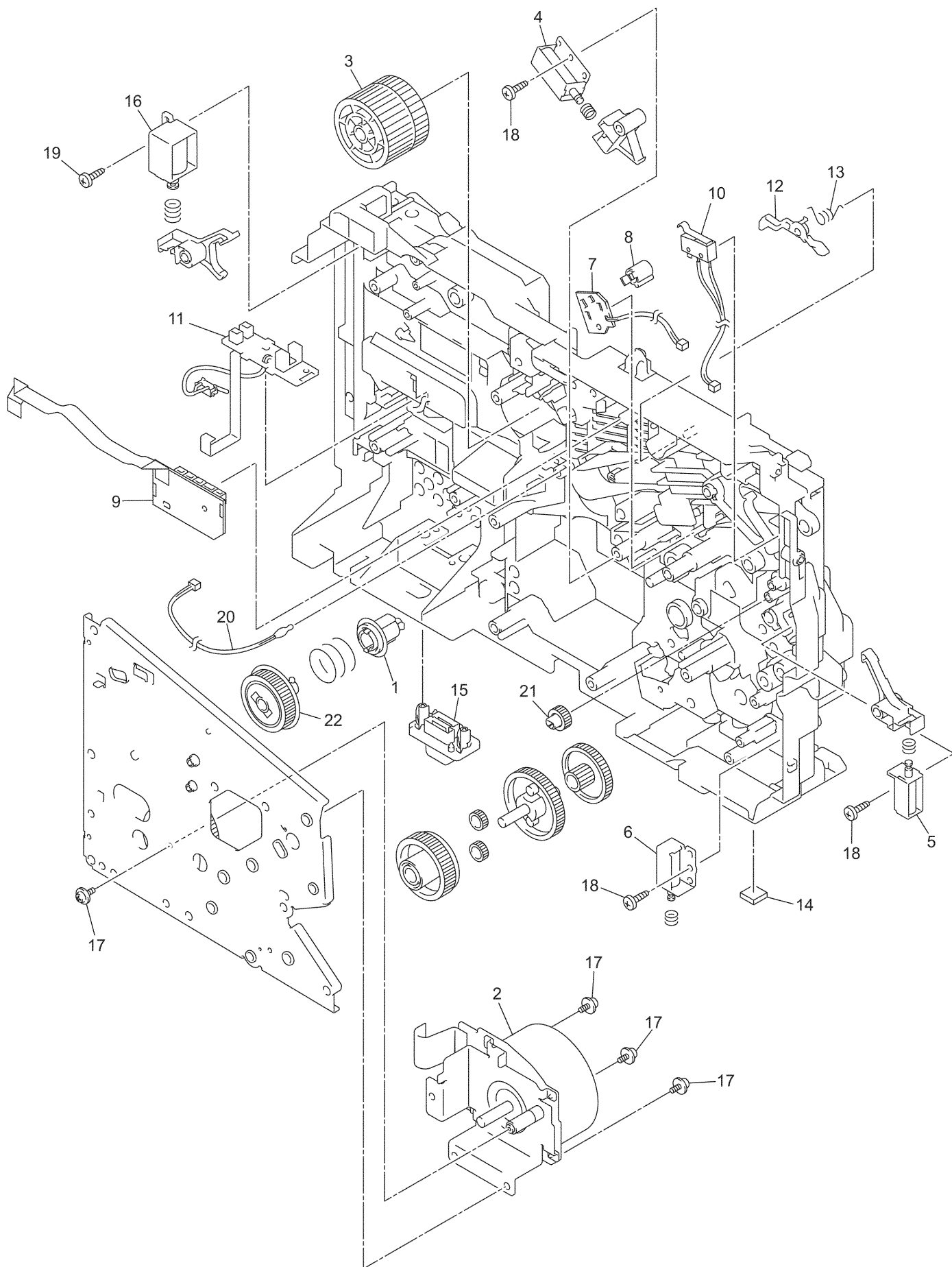
PAN NORDIC ---- PND

EURO GENERIC ---- GNR

CONTENTS

1.	<u>FRAME L</u>	1
2.	<u>FRAME R</u>	3
3.	<u>FRAME UNIT</u>	5
4.	<u>LASER UNIT</u>	7
5.	<u>PAPER FEEDER</u>	9
6.	<u>DUPLEX</u>	11
7.	<u>PAPER TRAY</u>	13
8.	<u>FUSER UNIT</u>	15
9.	<u>COVERS</u>	17
10.	<u>SCANNER</u>	19
11.	<u>ADF1</u>	21
	<u>ADF2</u>	23
12.	<u>PANEL</u>	25
13.	<u>PCB</u>	28
14.	<u>ACCESSORIES</u>	30
15.	<u>PRINTED MATERIALS</u>	33
16.	<u>PACKING MATERIALS</u>	35
17.	<u>OTHERS</u>	38

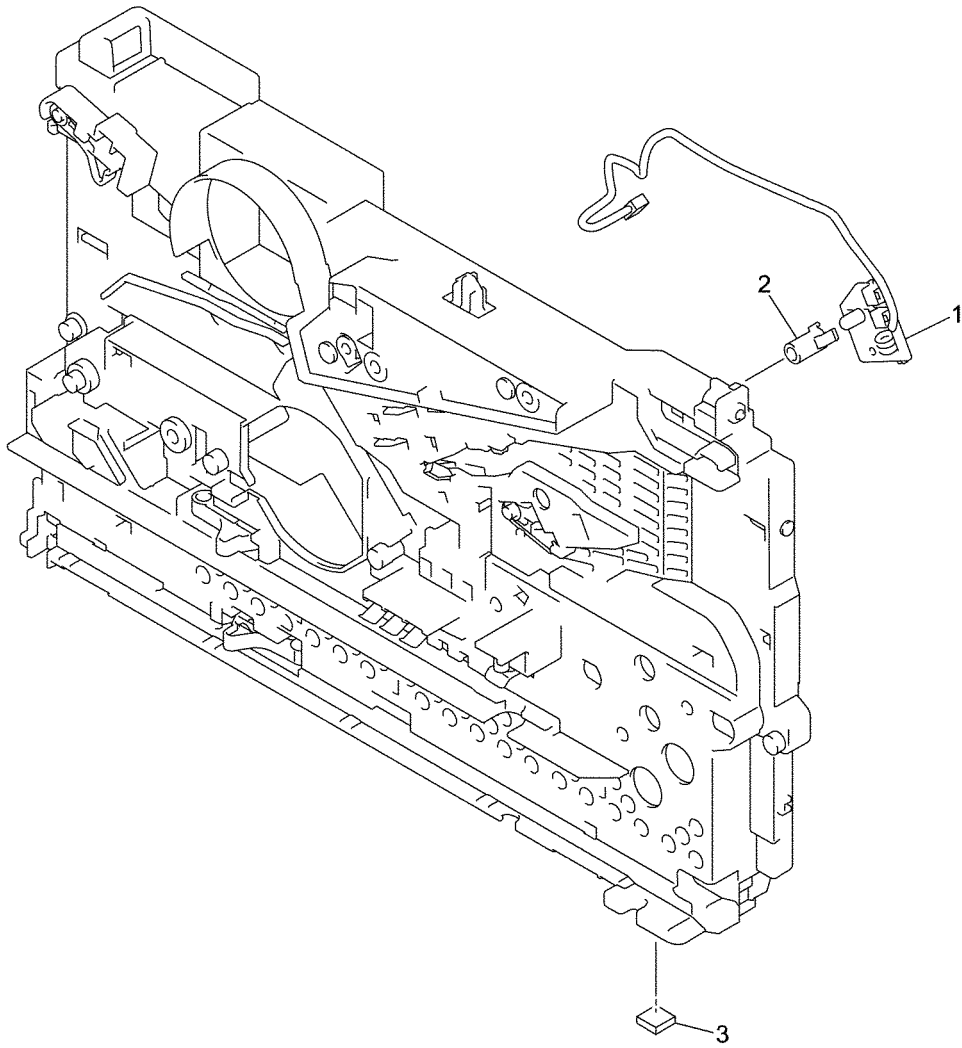
1. FRAME L



LIST1(FRAME L)

REF No.	CODE	Q'TY	DESCRIPTION	RECOMMEND	REMARKS
1	LM4227001	1	DEVELOP JOINT		
2	LM5047001	1	MAIN MOTOR ASSY AL		
3	LM5048001	1	FUSER GEAR 39 H/R DRIVE		
4	LM5058001	1	REGISTER SOLENOID ASSY		
5	LM5062001	1	MP SOLENOID ASSY		
6	LM5067001	1	T1 SOLENOID ASSY		
7	LJ9935001	1	TONER SENSOR PCB ASSY		
8	UL9037001	1	PT SENSOR HOLDER		
9	LJ9938002	1	RELAY FRONT PCB ASSY		
10	LJ9940001	1	INTERLOCK SW ASSY		
11	LM9168001	1	RELAY REAR PCB ASSY, DCP8060/MFC8460N		
11	LJ9942001	1	RELAY REAR PCB ASSY, DCP8065DN/MFC8860DN/MFC8870DW		
12	LM5085001	1	NEW TONER ACTUATOR		
13	LM5086001	1	NEW TONER ACTUATOR SPRING		
14	LJ7403001	1	RUBBER FOOT		
15	LJ9945001	1	CONNECTOR		
16	LM5011001	1	EJECTOR SOLENOID, DCP8065DNMFC8860DN/MFC8870DW		
17	087320616	4	TAPTITE CUP S M3x6		
18	085311016	3	TAPTITE BIND B M3x10		
19	085311016	1	TAPTITE BIND B M3x10, DCP8065DN/MFC8860DN/MFC8870DW		
20	LG4518001	1	THERMISTOR ASSY		
21	LM5104001	1	GEAR 17 MP ROLLER DRIVE		add
22	LM5043001	1	DEV GEAR 37R JOINT DRIVE		ADD

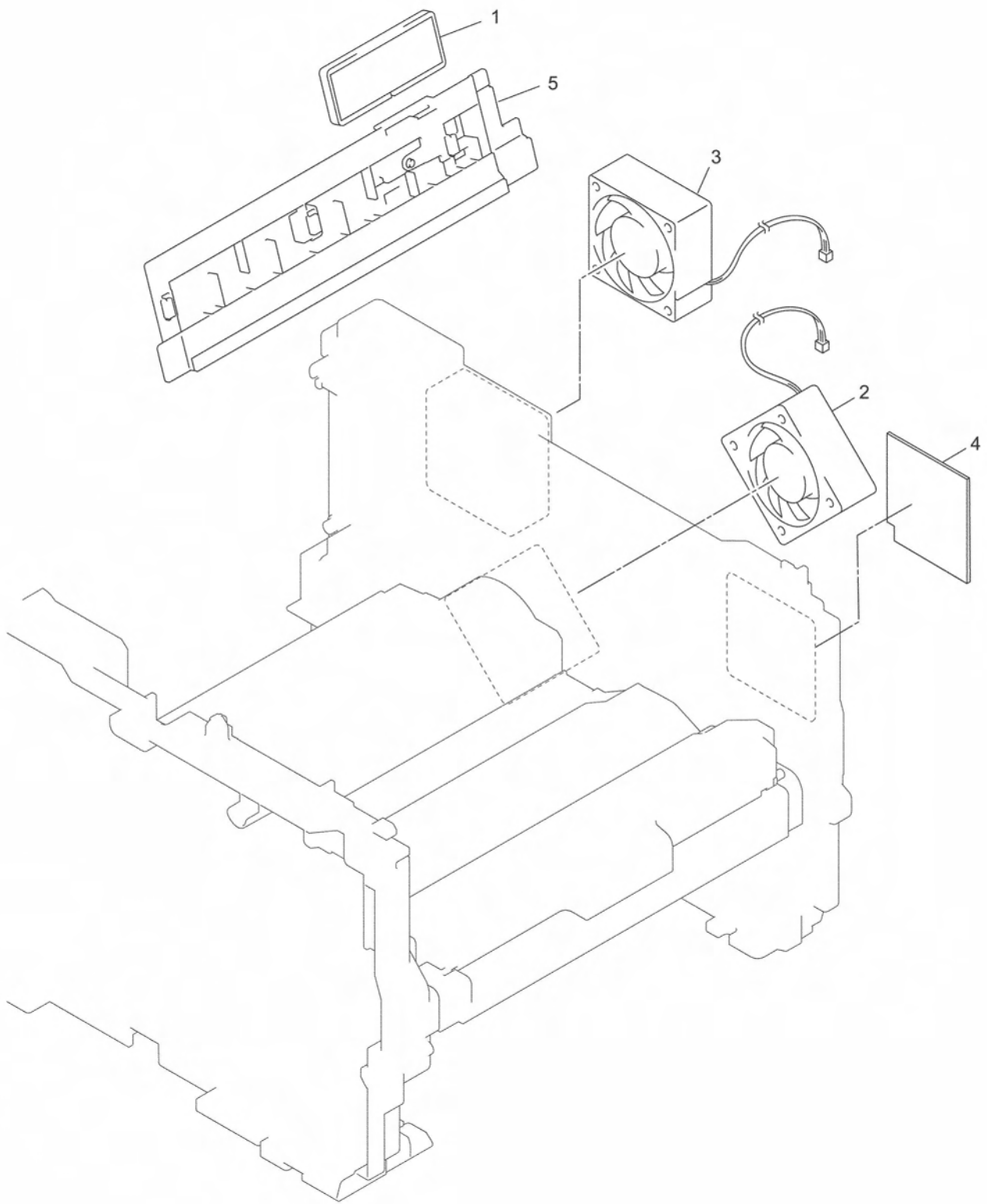
2.FRAME R



LIST2(FRAME R)

REF No.	CODE	Q'TY	DESCRIPTION	RECOMMEND	REMARKS
1	LM9022001	1	TONER LED PCB ASSY		
2	LM4267001	1	LED HOLDER		
3	LJ7403001	1	RUBBER FOOT		

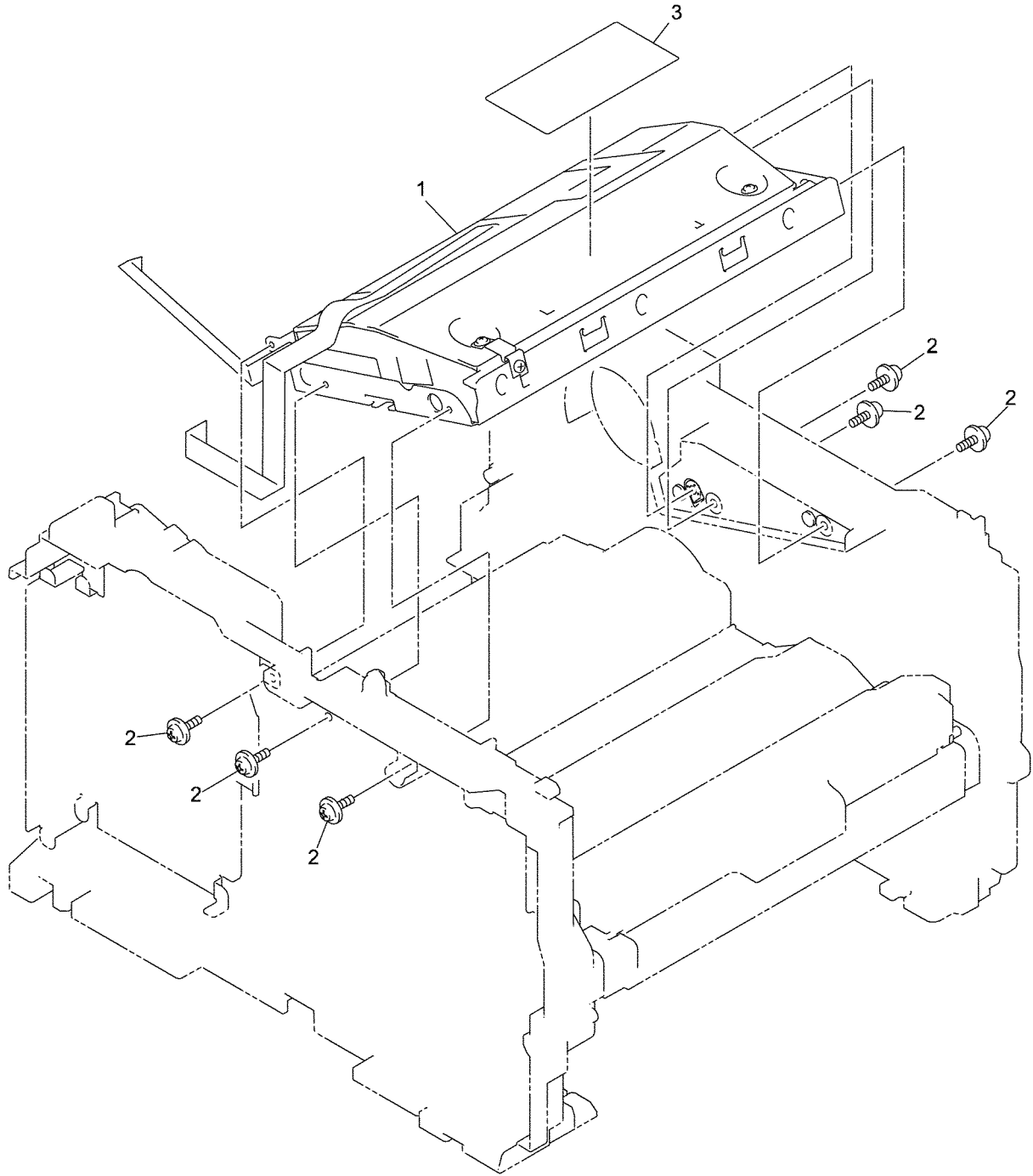
3. FRAME UNIT



LIST3(FRAME UNIT)

REF No.	CODE	Q'TY	DESCRIPTION	RECOMMEND	REMARKS
1	LM2445001	1	FILTER		
2	LM5114001	1	FAN MOTOR 60 UNIT LV		
3	LM5116001	1	FAN MOTOR 60 UNIT		
4	LG6846001	1	WIRELESS PCB, MFC8870DW	√	
5	LM6655001	1	AIR DUCT ASSY AL		ADD

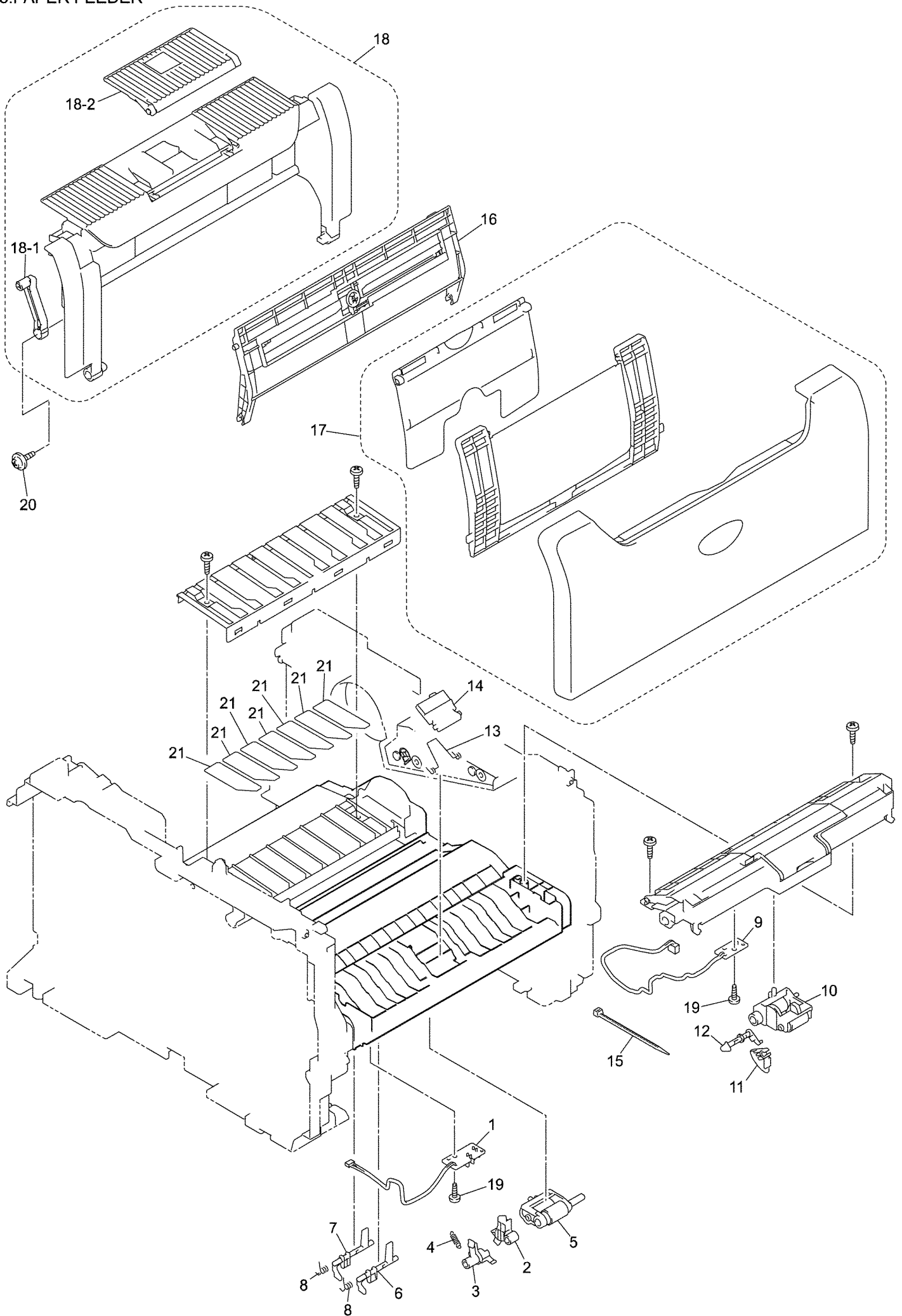
4.LASER UNIT



LIST4(LASER UNIT)

REF No.	CODE	Q'TY	DESCRIPTION	RECOMMEND	REMARKS
1	LM5750001	1	LASER UNIT (SP)		
2	087320616	6	TAPTITE, CUP S M3X6		
3	LJ0908001	1	LASER CAUTION LABEL		

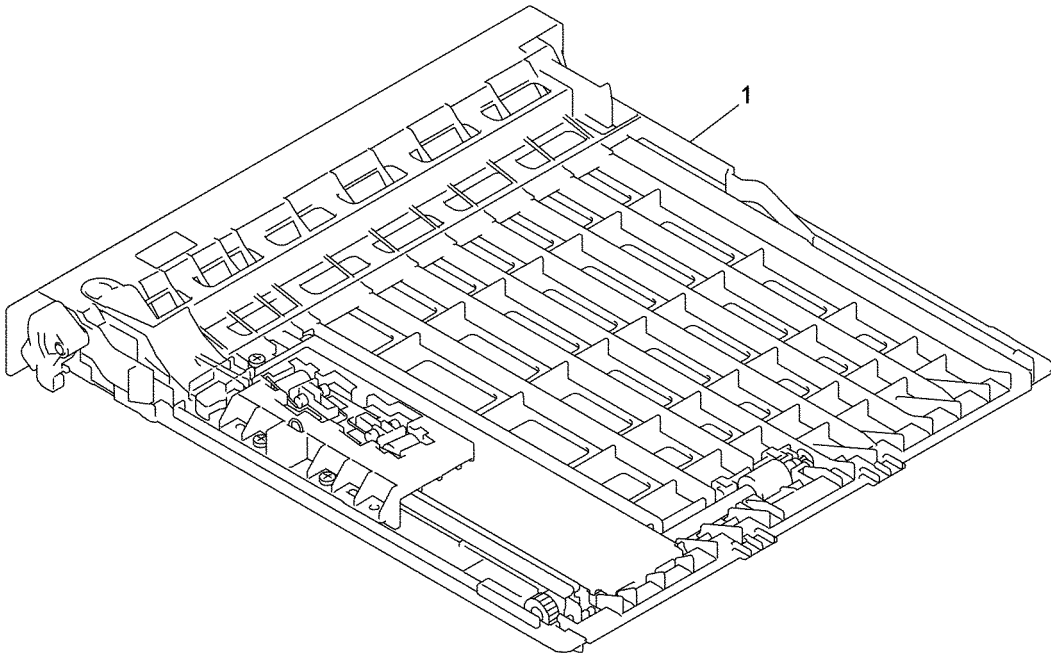
5. PAPER FEEDER



LIST5(PAPER FEEDER)

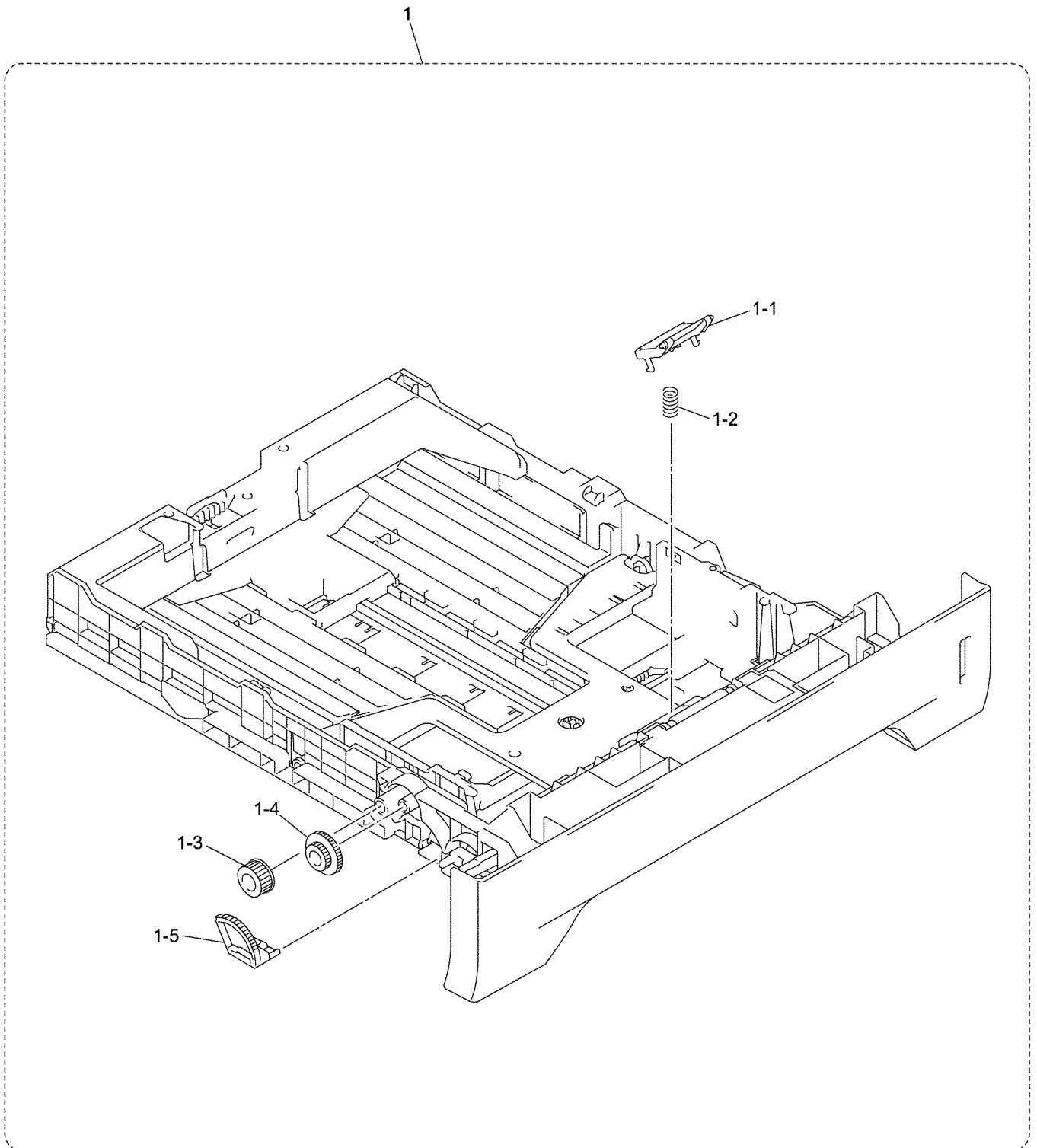
REF No.	CODE	Q'TY	DESCRIPTION	RECOMMEND	REMARKS
1	LM9001001	1	PE EG SENSOR ASSY		
2	LM5131001	1	PE ACTUATOR		
3	LM5132001	1	EDGE ACTUATOR		
4	LM5133001	1	EDGE ACTUATOR SPRING		
5	LM5140001	1	ROLLER HOLDER ASSY		
6	LM5150001	1	REGIST ACTUATOR FRONT		
7	LM5151001	1	REGIST ACTUATOR REAR		
8	LM5152001	2	REGIST ACTUATOR SPRING		
9	LJ9999001	1	MP PE SENSOR ASSY		
10	LM5165001	1	MP ROLLER HOLDER ASSY		
11	LM5171001	1	PE ACTUATOR MP		
12	LU0027001	1	PE ACTUATOR MP B 2		CHG
13	LM6490001	1	MP SEPARATION SPRING		
14	LM6752001	1	SEPARATION PAD ASSY MP		chg
15	LJ8657001	1	BINDER 2.3X79		
16	LM5196001	1	TRAY MP ASSY		
17	LF9617001	1	MP TRAY COVER ASSY		
18	LM5205001	1	PROCESS COVER ASSY EXCEPT FOR CHN		
18	LM5962001	1	PROCESS COVER ASSY, DCP8060/MFC8460N/MFC8860DN FOR CHN		add
18	LM6964001	1	PROCESS COVER ASSY FOR IND		
18-1	LM5124001	1	PROCESS COVER STOPPER		
18-2	LM5208001	1	SUPPORT FLAP		
19	085310816	2	TAPTITE BIND B M3x8		
20	087411016	1	TAPTITE CUP B M4X10		
21	LM6584001	7	ANTISTATIC FILM, DCP8065DN/MFC8860DN/MFC8870DW FOR CHE		

6.DUPLEX



REF No.	CODE	Q'TY	DESCRIPTION	RECOMMEND	REMARKS
1	LM5421001	1	DX FEED ASSY A4, DCP8065DN/MFC8860DN/MFC8870DW		

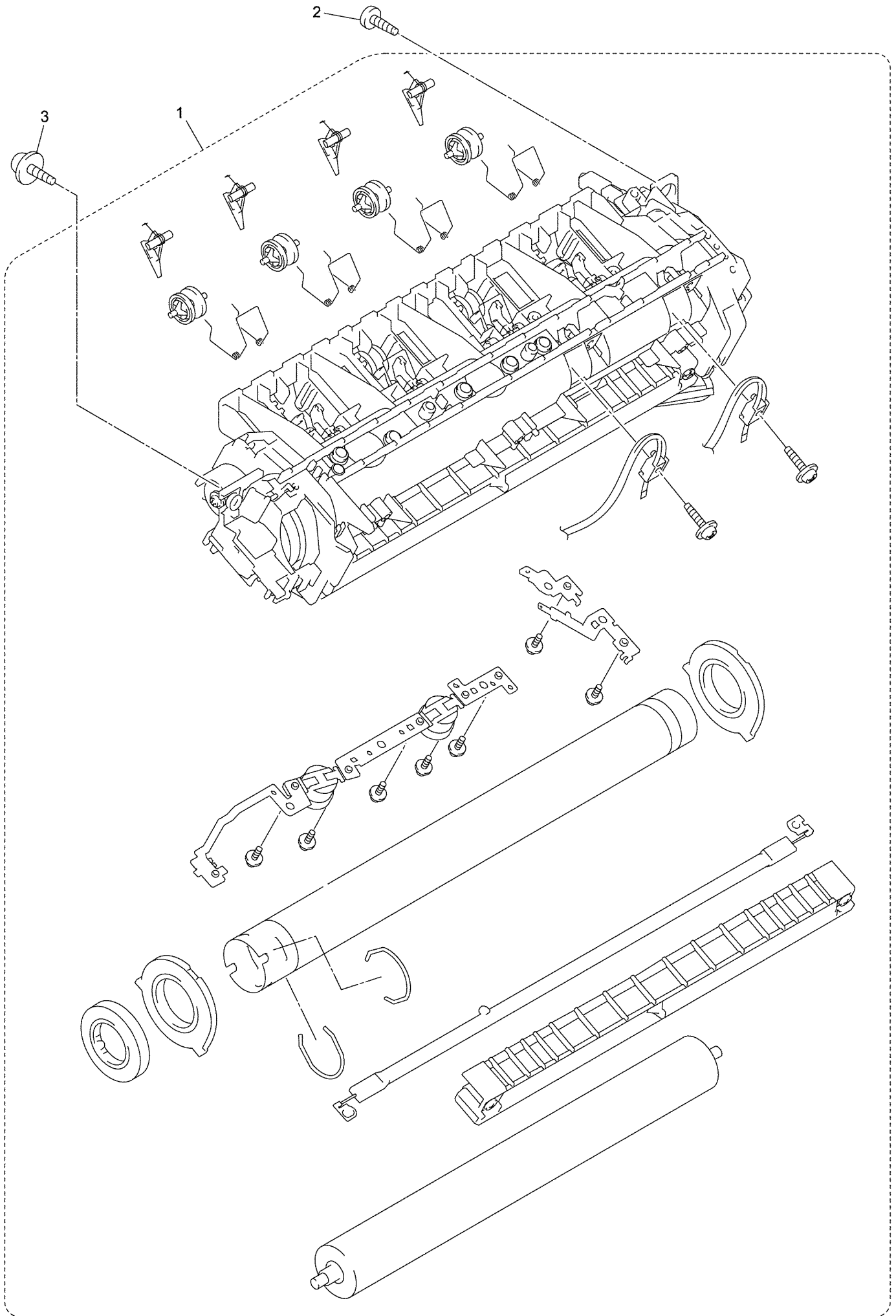
7.PAPER TRAY



LIST7(PAPER TRAY)

REF No.	CODE	Q'TY	DESCRIPTION	RECOMMEND	REMARKS
1	LM5739001	1	PAPER TRAY UNIT FOR GER/UK/FRA/CHE/SPA/ITA/ZAF/RUS/PND/GNR		
1	LM5759001	1	PAPER TRAY UNIT FOR CHN/ASA/OCE		
1	LM6957001	1	PAPER TRAY UNIT FOR IND		
1-1	LM5237001	1	SEPARATION PAD ASSY		
1-2	LM5239001	1	SEPARATION PAD SPRING		
1-3	LM5245001	1	GEAR 15		
1-4	LM5246001	1	GEAR 21-16		
1-5	LM5247001	1	LIFT GEAR 46		

8.FUSER UNIT



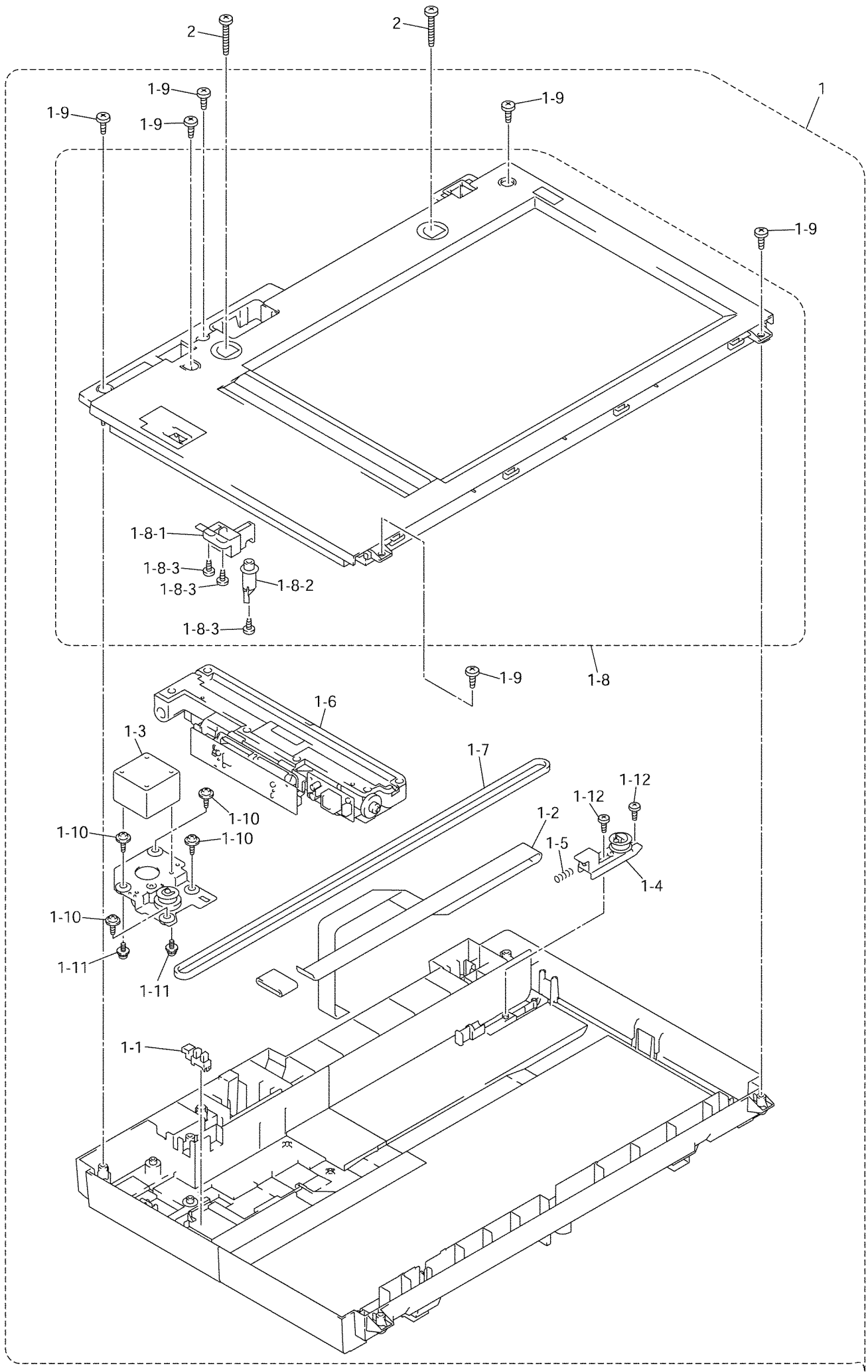
LIST8(FUSER UNIT)

REF No.	CODE	Q'TY	DESCRIPTION	RECOMMEND	REMARKS
1	LU0215001	1	FUSER UNIT 230V (SP) FOR CHN/ASA/OCE	√	chg
4	LU0142004	4	FUSER UNIT 230V SNG (SP) FOR ASA/OCE	√	del
1	LU0217001	1	FUSER UNIT 230V EUR (SP)	√	chg
1	LU0216001	1	FUSER UNIT 230V IND (SP)	√	CHG
2	085411616	1	TAPTITE BIND B M4X16		
3	LM5881001	1	TAPTITE CUP B M4X16		

LIST9(COVERS)

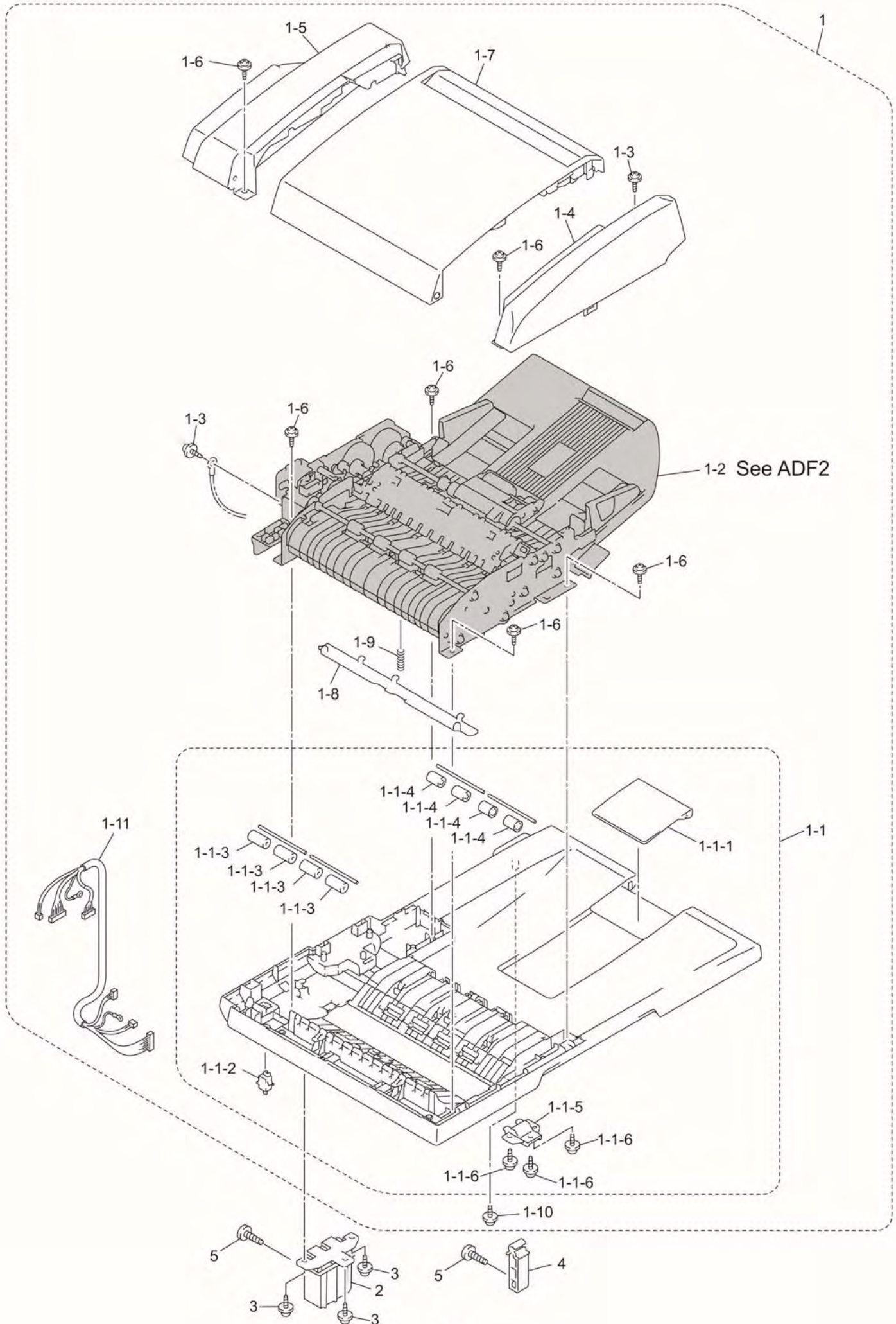
REF No.	CODE	Q'TY	DESCRIPTION	RECOMMEND	SYMBOL	REMARKS
1	LS0094001	1	JOINT COVER ASSY PSL, GRAY(1581), DCP8060/DCP8065DN			chg
1	LS0095001	1	JOINT COVER ASSY PSL, GRAY(1581), MFC8460N/MFC8860DN/MFC8870DW			chg
1-1	LU0160001	1	PAPER STACK LEVER ASSY AL			add
2	085411216	9	TAPTITE, BIND B M4X12			
3	LG6529001	1	SPEAKER ASSY			
4	LG6531001	1	DRIVER PCB ASSY		B53K850	
5	LF9624001	1	SIDE COVER R, GRAY(1736)			
6	LF9625001	1	SIDE COVER L, GRAY(1736)			
7	LM5273001	1	ACCESS COVER , GRAY(1736)			
8	LM5274001	1	REAR COVER			
9	LU0278001	1	OUTER CHUTE ASSY2 EL20			CHG
10	LM5424001	1	DX COVER, GRAY(1581), DCP8060/MFC8460N			
11	087310816	3	TAPTITE CUP B M3X8			
12	LM5771001	1	BROTHER EMBLEM			
13	LM5834001	1	PROCESS UNIT OP LABEL, FOR GER/UK/FRA/CHE/SPA/ITA/ZAF/RUS/PND/GNR			
13	LM5835001	1	PROCESS UNIT OP LABEL, FOR ASA/IND/OCE			
13	LM5836001	1	PROCESS UNIT OP LABEL, FOR CHN			
14	LM5758001	1	RELEASE LABEL			
15	LM4639001	1	FUSER CAUTION LABEL			
16	UF5745000	1	MJ COVER EXT, MFC8460N/MFC8860DN/MFC8870DW FOR GER/UK/FRA/ITA/ZAF/PND			

10. SCANNER



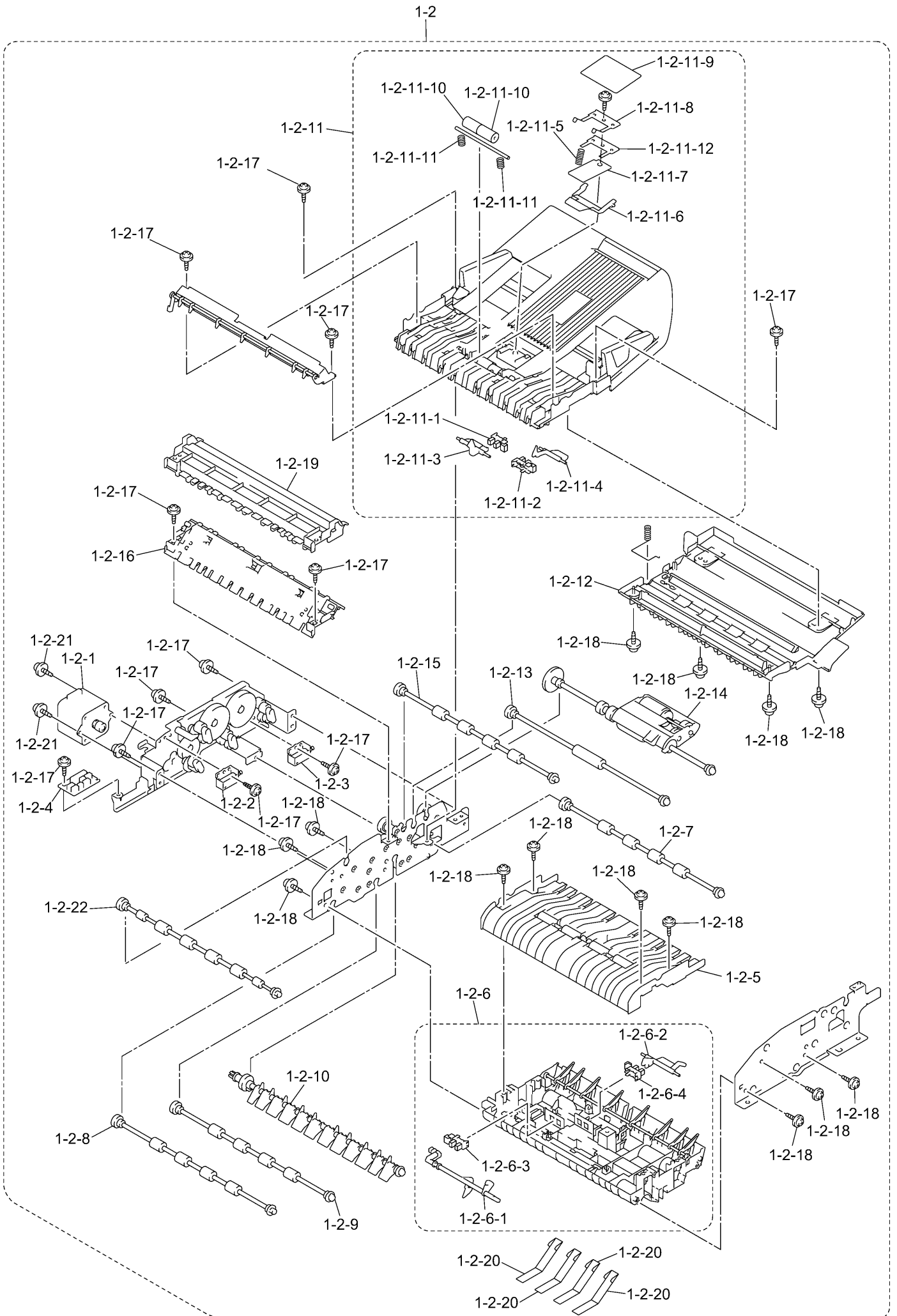
List10(SCANNER)

REF No.	CODE	Q'TY	DESCRIPTION	RECOMMEND	REMARKS
1	LP2357001	1	ALFB UNIT ASSY(SP), DCP8060/DCP8065DN/MFC8460N MFC8860DN	√	
1	LS0002001	1	ALFB UNIT ASSY W-LAN(SP), MFC8870DW	√	ADD
1-1	LG2239001	1	PHOTO INTERRUPTER		
1-2	LF9629001	1	FFC CABLE ASSY		
1-3	LE8632001	1	SCANNING MOTOR FB		
1-4	LF9637001	1	PULLEY ASSY		
1-5	LE8640001	1	PULLEY SPRING		
1-6	LF2037001	1	CCD MODULE(SP)	√	
1-7	LE8642001	1	BELT		
1-8	LF9641001	1	TOP COVER ASSY		
1-8-1	LF2004001	1	LOCK LEVER ASSY		
1-8-2	LE8649001	1	LOCK LEVER B		
1-8-3	UF5034001	3	TAPTITE, B 3X6		
1-9	087411216	6	TAPTITE, CUP B M4X12		
1-10	LE2861001	4	TAPTITE, PAN B M3X8		
1-11	0A4300605	2	SCREW, PAN (S/P WASHER) M3X6		
1-12	UF5034001	2	TAPTITE, B 3X6		
2	087412016	2	TAPTITE, CUP B M4X20		



LIST11(ADF1)

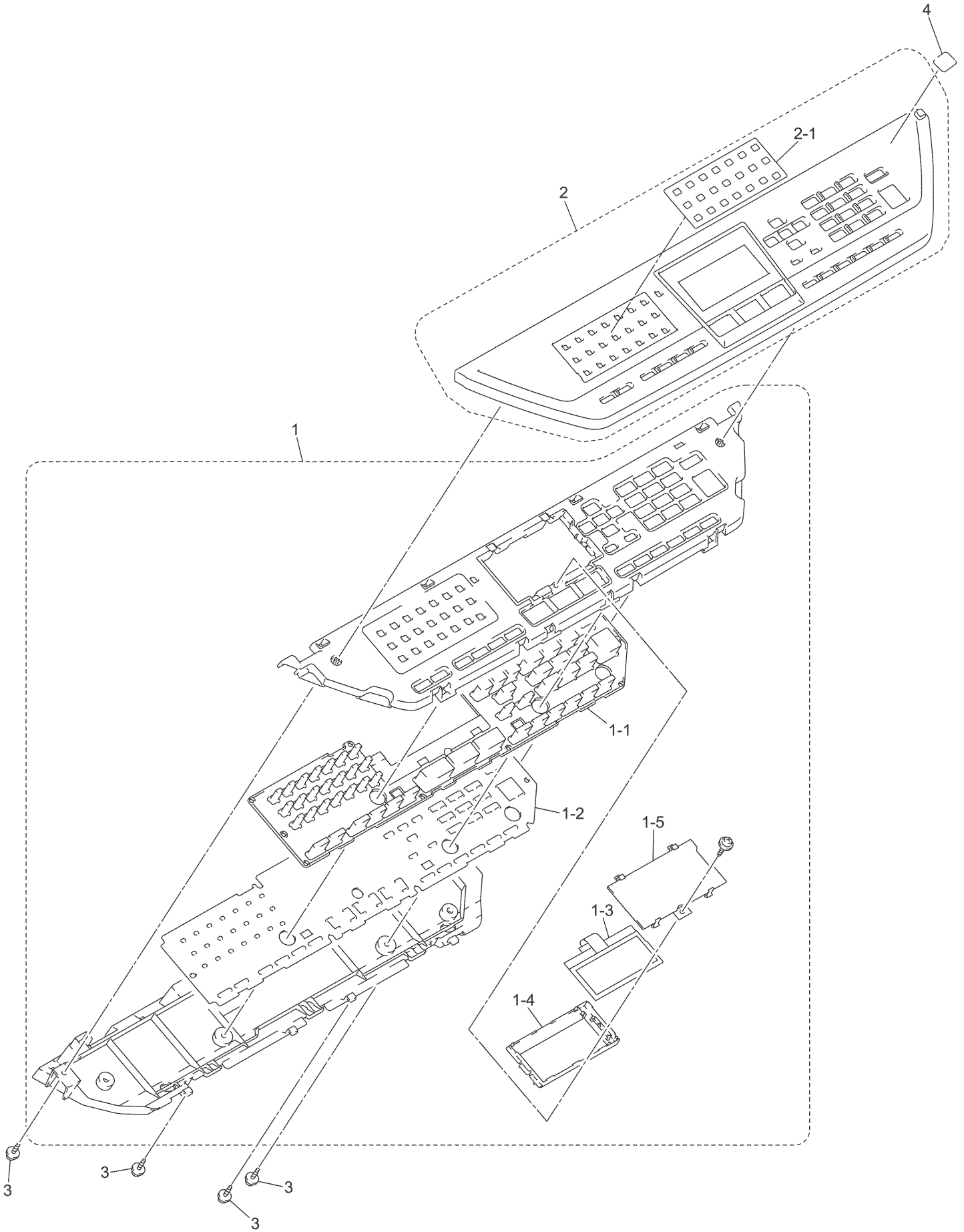
REF No.	CODE	Q'TY	DESCRIPTION	RECOMMEND	SYMBOL	REMARKS
1	LP2363001	1	ADF UNIT LGL(SP), DCP8060/MFC8460N	√		
1	LP2329001	1	ADF UNIT LGL(SP), DCP8065DN/MFC8860DN	√		
1	LS0003001	1	ADF UNIT LGL, W-LAN(SP), MFC8870DW	√		add
1-1	LF9644001	1	DOCUMENT COVER LGL SUB ASSY			
1-1-1	LF9647001	1	DOCUMENT EJECTION TRAY			
1-1-2	LG3218001	1	DOCUMENT COVER SENSOR			
1-1-3	UF9009001	4	PRESSER ROLLER			
1-1-4	UL6244002	4	EJECTION ROLLER B4			
1-1-5	LE6245001	1	HINGE ARM R			
1-1-6	087311016	3	TAPTITE, CUP B M3X10			
1-2			SEE NEXT PAGE			
1-3	LP2378001	2	TAPTITE CUP S M3X8 SR			
1-4	LF9696001	1	ADF SIDE COVER F			
1-5	LF9697001	1	ADF SIDE COVER R			
1-6	087311016	6	TAPTITE CUP B M3X10			
1-7	LF9700001	1	ADF COVER ASSY, DCP8060/MFC8460N			
1-7	LF9754001	1	ADF COVER ASSY, DCP8065DN/MFC8860DN/MFC8870DW			
1-8	LE8834001	1	DOCUMENT HOLD ASSY			
1-9	LF2026001	1	DOCUMENT HOLD SPRING			
1-10	LP2320001	1	TAPTITE CUP B M3X10			
1-11	LG6545001	1	ADF HARNESS ASSY ALFB DX, DCP8065DN/MFC8860DN			ADD
1-11	LG6575001	1	ADF HARNESS ASSY ALFB SX, DCP8060/MFC8460N			ADD
1-11	LG7199001	1	ADF HARNESS ASSY ALFB DX W-LAN, MFC8870DW			ADD
2	LF9703001	1	HINGE ASSY L			
3	087311016	3	TAPTITE CUP B M3X10			
4	LE6244001	1	HINGE BASE R			
5	085411216	2	TAPTITE BIND B M4X12			



LIST11(ADF2)

REF No.	CODE	Q'TY	DESCRIPTION	RECOMMEND	SYMBOL	REMARKS
1-2	LF9650001	1	ADF CHUTE ASSY, DCP8060/MFC8460N			
1-2	LF9730001	1	ADF CHUTE ASSY, DCP8065DN/MFC8860DN/MFC8870DW			
1-2-1	LE8688001	1	ADF MOTOR			
1-2-2	LP2353001	1	S/B SOLENOID ASSY, DCP8065DN/MFC8860DN/MFC8870DW			chg
1-2-3	LP2354001	1	PF SOLENOID ASSY, DCP8065DN/MFC8860DN/MFC8870DW			chg
1-2-4	LG6537001	1	ADF RELAY PCB, DCP8060/MFC8460N		B53K847	
1-2-4	LG6537002	1	ADF RELAY PCB, DCP8065DN/MFC8860DN/MFC8870DW		B53K847	
1-2-5	LF9666001	1	UPPER MAIN CHUTE ASSY			
1-2-6	LF9669001	1	LOWER MAIN CHUTE ASSY, DCP8060/MFC8460N			
1-2-6	LF9741001	1	LOWER MAIN CHUTE ASSY, DCP8065DN/MFC8860DN/MFC8870DW			
1-2-6-1	LF9671001	1	ACTUATOR R			
1-2-6-2	LF9742001	1	ACTUATOR SB, DCP8065DN/MFC8860DN/MFC8870DW			
1-2-6-3	LG2239001	1	PHOTO INTERRUPTER			
1-2-6-4	LG2239001	1	PHOTO INTERRUPTER, DCP8065DN/MFC8860DN/MFC8870DW			
1-2-7	LF9673001	1	EXIT ROLLER ASSY			CHG
1-2-8	LF9675001	1	LF ROLLER3 ASSY			
1-2-9	LF9677001	1	LF ROLLER4 ASSY			
1-2-10	LF9743001	1	FLAP ASSY, DCP8065DN/MFC8860DN/MFC8870DW			
1-2-11	LF9681001	1	PAPER FEED CHUTE ASSY, DCP8060/MFC8460N			
1-2-11	LF9747001	1	PAPER FEED CHUTE ASSY, DCP8065DN/MFC8860DN/MFC8870DW			
1-2-11-1	LG2239001	1	PHOTO INTERRUPTER			
1-2-11-2	LG2239001	1	PHOTO INTERRUPTER, DCP8065DN/MFC8860DN/MFC8870DW			
1-2-11-3	LF9683001	1	ACTUATOR FRONT1			
1-2-11-4	LF9748001	1	ACTUATOR FRONT2, DCP8065DN/MFC8860DN/MFC8870DW			
1-2-11-5	LF9684001	1	SEPARATION SPRING			
1-2-11-6	LF9685001	1	RUBBER HOLDER			
1-2-11-7	LF9686001	1	SEPARATION RUBBER			
1-2-11-8	LE1513001	1	SPRING PLATE ADF FRONT A ASSY			
1-2-11-9	LE2470001	1	ADF FILM			
1-2-11-10	LP2159001	2	PRESSER ROLLER			
1-2-11-11	LE2472001	2	LF SPRING			
1-2-11-12	LP2907001	1	BACK SHEET ADF			add
1-2-12	LF9692001	1	EXIT CHUTE COVER ASSY			
1-2-13	LP2448001	1	LF ROLLER1 ASSY			chg
1-2-14	LE2919001	1	PF ROLLER HOLDER ASSY			
1-2-15	LF9749001	1	SB ROLLER ASSY, DCP8065DN/MFC8860DN/MFC8870DW			
1-2-16	LF9751001	1	SB CHUTE ASSY, DCP8065DN/MFC8860DN/MFC8870DW			
1-2-17	LP2378001	12	TAPTITE CUP S M3X8 SR			
1-2-18	087311016	14	TAPTITE CUP B M3X10			
1-2-19	LF9850001	1	SX CHUTE, DCP8060/MFC8460N			
1-2-20	LP2347001	4	LF4 FILM			
1-2-21	0A4300605	2	SCREW PAN (S/P WASHER) M3X6			
1-2-22	LS0761001	1	LF ROLLER2 ASSY			ADD

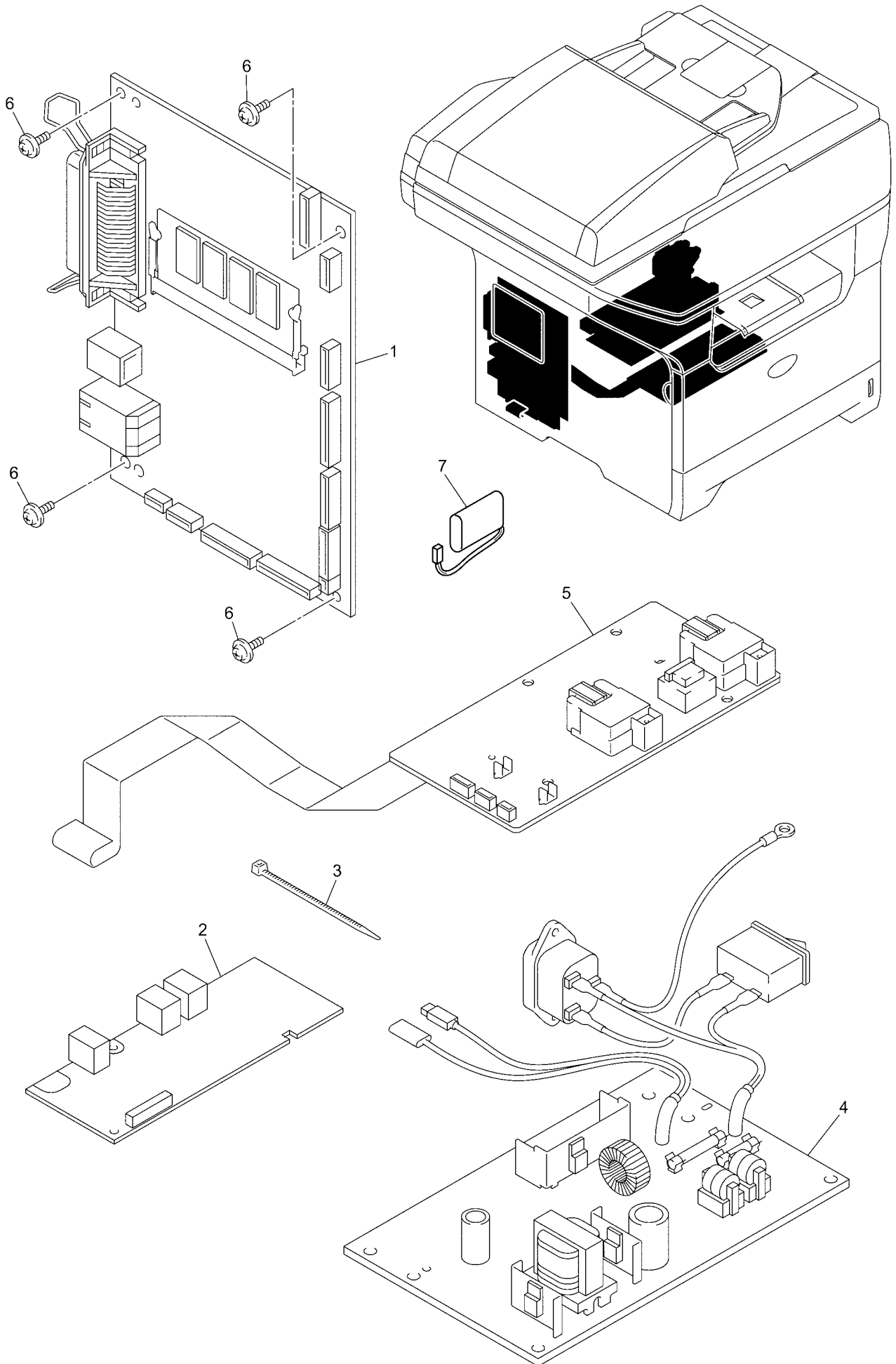
12. PANEL



LIST12(PANEL)

REF No.	CODE	QTY	DESCRIPTION	RECOMMEND	SYMBOL	REMARKS
1	LF9704001	1	PANEL UNIT, MFC8460N/MFC8860DN/MFC8870DW			
1	LF9768001	1	PANEL UNIT, DCP8060/DCP8065DN			
1-1	LF9706001	1	PRINTED RUBBER KEY, MFC8460N/MFC8860DN/MFC8870DW			
1-1	LF9769001	1	PRINTED RUBBER KEY, DCP8060/DCP8065DN			
1-2	LG6547001	1	PANEL PCB ASSY, MFC8460N/MFC8860DN/MFC8870DW		B53K852	
1-2	LG6547002	1	PANEL PCB ASSY, DCP8060/DCP8065DN		B53K852	
1-3	LG6549001	1	LCD			
1-4	LG6550001	1	BACK LIGHT MODULE			
1-5	LF9709001	1	LCD COVER			
2	LF9887001	1	PANEL COVER ASSY, DCP8060 FOR GER <GERMAN>			
2	LF9891001	1	PANEL COVER ASSY, DCP8065DN FOR GER <GERMAN>			
2	LF9895001	1	PANEL COVER ASSY, MFC8460N FOR GER <GERMAN>			
2	LF9899001	1	PANEL COVER ASSY, MFC8860DN FOR GER <GERMAN>			
2	LF9903001	1	PANEL COVER ASSY, MFC8870DW FOR GER <GERMAN>			
2	LF9771001	1	PANEL COVER ASSY, DCP8060 FOR UK/ASA <ENGLISH>			
2	LF9775001	1	PANEL COVER ASSY, DCP8065DN FOR UK/ASA <ENGLISH>			
2	LF9804001	1	PANEL COVER ASSY, MFC8460N FOR UK/ZAF <ENGLISH>			
2	LF9807001	1	PANEL COVER ASSY, MFC8860DN FOR UK/ZAF <ENGLISH>			
2	LF9810001	1	PANEL COVER ASSY, MFC8870DW FOR UK <ENGLISH>			
2	LP2095001	1	PANEL COVER ASSY, DCP8060 FOR FRA/GNR <ENGLISH>			
2	LP2091001	1	PANEL COVER ASSY, DCP8060 FOR FRA/CHE <FRENCH>			
2	LP2093001	1	PANEL COVER ASSY, DCP8060 FOR FRA <DUTCH>			
2	LP2128001	1	PANEL COVER ASSY, DCP8065DN FOR FRA/GNR <ENGLISH>			
2	LP2129001	1	PANEL COVER ASSY, DCP8065DN FOR FRA/CHE <FRENCH>			
2	LP2131001	1	PANEL COVER ASSY, DCP8065DN FOR FRA <DUTCH>			
2	LP2176001	1	PANEL COVER ASSY, MFC8460N FOR FRA/GNR <ENGLISH>			
2	LP2177001	1	PANEL COVER ASSY, MFC8460N FOR FRA/CHE <FRENCH>			
2	LP2178001	1	PANEL COVER ASSY, MFC8460N FOR FRA <DUTCH>			
2	LP2246001	1	PANEL COVER ASSY, MFC8860DN FOR FRA/GNR <ENGLISH>			
2	LP2247001	1	PANEL COVER ASSY, MFC8860DN FOR FRA/CHE <FRENCH>			
2	LP2248001	1	PANEL COVER ASSY, MFC8860DN FOR FRA <DUTCH>			
2	LP2296001	1	PANEL COVER ASSY, MFC8870DW FOR FRA <ENGLISH>			
2	LP2297001	1	PANEL COVER ASSY, MFC8870DW FOR FRA/CHE <FRENCH>			
2	LP2298001	1	PANEL COVER ASSY, MFC8870DW FOR FRA <DUTCH>			
2	LP2098001	1	PANEL COVER ASSY, DCP8060 FOR CHE/GNR <GERMAN>			
2	LP2134001	1	PANEL COVER ASSY, DCP8065DN FOR CHE/GNR <GERMAN>			
2	LP2183001	1	PANEL COVER ASSY, MFC8460N FOR CHE/GNR <GERMAN>			
2	LP2252001	1	PANEL COVER ASSY, MFC8860DN FOR CHE/GNR <GERMAN>			
2	LP2295001	1	PANEL COVER ASSY, MFC8870DW FOR CHE <GERMAN>			
2	LP2102001	1	PANEL COVER ASSY, DCP8060 FOR SPA <SPANISH>			
2	LP2104001	1	PANEL COVER ASSY, DCP8060 FOR SPA <PORTUGUESE>			
2	LP2136001	1	PANEL COVER ASSY, DCP8065DN FOR SPA <SPANISH>			
2	LP2138001	1	PANEL COVER ASSY, DCP8065DN FOR SPA <PORTUGUESE>			
2	LP2186001	1	PANEL COVER ASSY, MFC8460N FOR SPA <SPANISH>			
2	LP2190001	1	PANEL COVER ASSY, MFC8460N FOR SPA <PORTUGUESE>			
2	LP2254001	1	PANEL COVER ASSY, MFC8860DN FOR SPA <SPANISH>			
2	LP2257001	1	PANEL COVER ASSY, MFC8860DN FOR SPA <PORTUGUESE>			
2	LP2301001	1	PANEL COVER ASSY, MFC8870DW FOR SPA <SPANISH>			
2	LP2304001	1	PANEL COVER ASSY, MFC8870DW FOR SPA <PORTUGUESE>			
2	LP2109001	1	PANEL COVER ASSY, DCP8060 FOR ITA			
2	LP2141001	1	PANEL COVER ASSY, DCP8065DN FOR ITA			
2	LP2195001	1	PANEL COVER ASSY, MFC8460N FOR ITA			
2	LP2261001	1	PANEL COVER ASSY, MFC8860DN FOR ITA			
2	LP2307001	1	PANEL COVER ASSY, MFC8870DW FOR ITA			
2	LP2380001	1	PANEL COVER ASSY, DCP8060 FOR CHN			
2	LP2389001	1	PANEL COVER ASSY, MFC8460N FOR CHN			
2	LP2396001	1	PANEL COVER ASSY, MFC8860DN FOR CHN			
2	LF9712001	1	PANEL COVER ASSY, MFC8460N FOR ASA/IND/OCE			
2	LF9756001	1	PANEL COVER ASSY, MFC8860DN FOR ASA/IND/OCE			
2	LP2145001	1	PANEL COVER ASSY, DCP8065DN FOR RUS			
2	LP2266001	1	PANEL COVER ASSY, MFC8860DN FOR RUS			
2	LP2112001	1	PANEL COVER ASSY, DCP8060 FOR PND			
2	LP2149001	1	PANEL COVER ASSY, DCP8065DN FOR PND			
2	LP2201001	1	PANEL COVER ASSY, MFC8460N FOR PND			
2	LP2275001	1	PANEL COVER ASSY, MFC8860DN FOR PND			
2	LP2309001	1	PANEL COVER ASSY, MFC8870DW FOR PND			
2-1	LF9717001	1	ADDRESS LABEL, MFC8460N/MFC8860DN/MFC8870DW EXCEPT FOR CHN			ADD
2-1	LP2637001	1	ADDRESS LABEL, MFC8460N/MFC8860DN FOR CHN			ADD
3	087411216	4	TAPTITE CUP B M4X12			
4	LP0380001	1	WIRELESS EMBLEM, MFC8870DW			
5	LF9717001	4	ADDRESS LABEL, MFC8460N/MFC8860DN/MFC8870DW EXCEPT FOR CHN			DEL
5	LP2637001	4	ADDRESS LABEL, MFC8460N/MFC8860DN FOR CHN			DEL

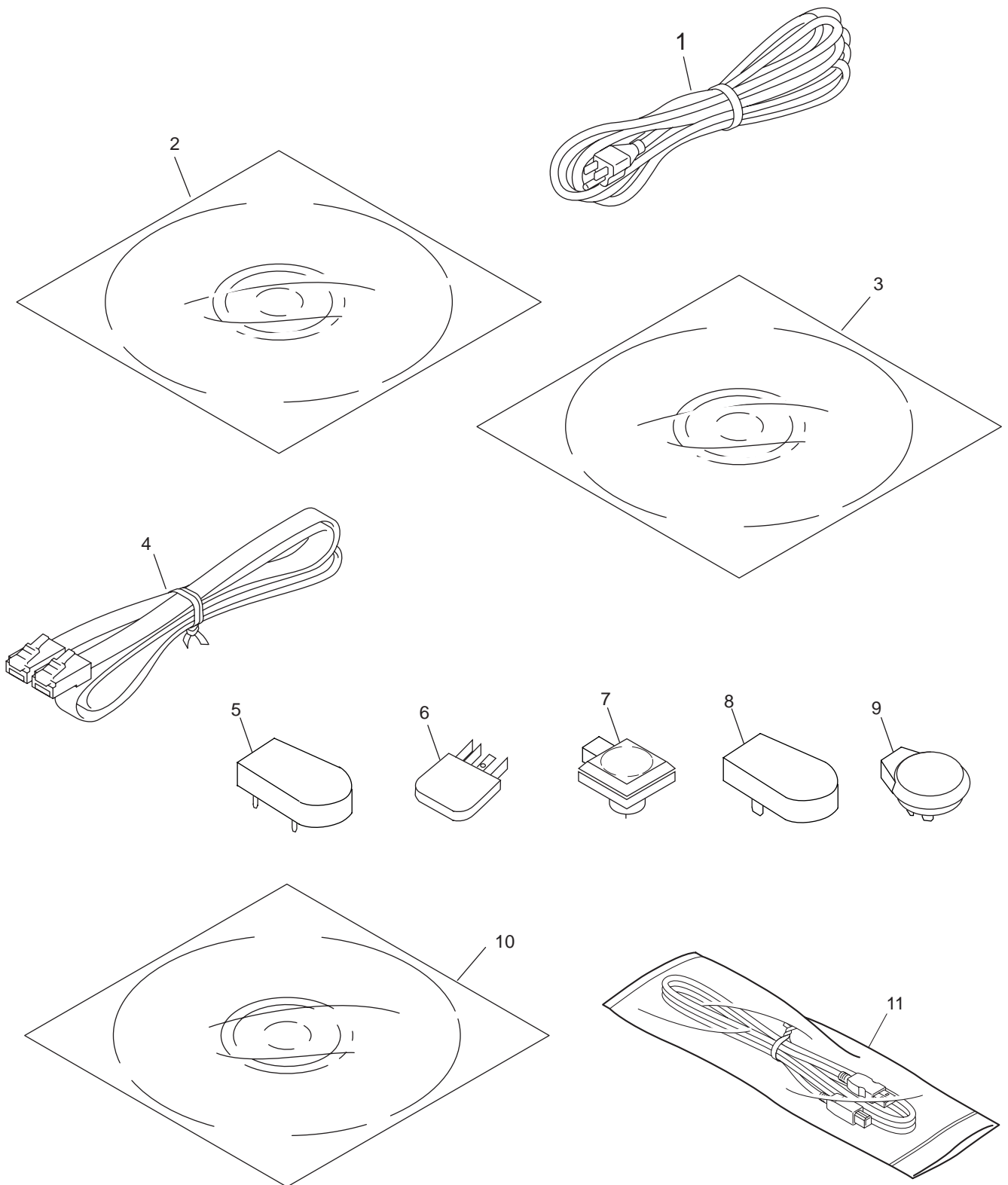
13. PCB



LIST13(PCB)

REF No.	CODE	Q'TY	DESCRIPTION	RECOMMEND	SYMBOL	REMARKS
1	LG6566001	1	MAIN PCB ASSY, DCP8060 EXCEPT FOR CHN	√	B53K830	
1	LG6567001	1	MAIN PCB ASSY, DCP8065DN	√	B53K830	
1	LG6552004	1	MAIN PCB ASSY, MFC8460N EXCEPT FOR CHN	√	B53K830	
1	LG6563004	1	MAIN PCB ASSY, MFC8860DN EXCEPT FOR CHN	√	B53K830	
1	LG6568004	1	MAIN PCB ASSY, MFC8870DW	√	B53K830	
1	LG6566020	1	MAIN PCB ASSY, DCP8060 FOR CHN	√	B53K830	
1	LG6552020	1	MAIN PCB ASSY, MFC8460N FOR CHN	√	B53K830	
1	LG6563020	1	MAIN PCB ASSY, MFC8860DN FOR CHN	√	B53K830	
2	LG5923054	1	NCU PCB ASSY, MFC8460N/MFC8860DN/MFC8870DW FOR GER	√	B53K786	
2	LG5923052	1	NCU PCB ASSY, MFC8460N/MFC8860DN/MFC8870DW FOR UK/FRA/SPA/ITA/RUS/PND/GNR	√	B53K786	
2	LG5923056	1	NCU PCB ASSY, MFC8460N/MFC8860DN/MFC8870DW FOR CHE	√	B53K786	
2	LG6872001	1	NCU PCB ASSY, MFC8460N/MFC8860DN FOR ZAF	√	B53K786	
2	LG6190005	1	NCU PCB ASSY, MFC8460N/MFC8860DN FOR CHN/ASA/IND	√	B53K786	
2	LG6198003	1	NCU PCB ASSY, MFC8460N/MFC8860DN FOR OCE	√	B53K786	
3	LJ8657001	1	BINDER 2.3X79			
4	LG6623001	1	PS PCB UNIT, DCP8060/DCP8065DN/MFC8460N/MFC8860DN EXCEPT FOR CHN/IND/ASA/RUS			
4	LG7196001	1	PS PCB UNIT W-LAN, MFC8870DW			add
4	LG7059001	1	PS PCB UNIT, DCP8060/MFC8460N/MFC8860DN FOR CHN/IND/RUS			CHG
4	LG7057001	1	PS PCB UNIT, MFC8460N/MFC8860DN FOR ASA			
5	LJ9978001	1	HIGH-VOLTAGE PS PCB ASSY			
6	LM5867001	4	TAPTITE CUP S M3X6 SR			
7	LG5921001	1	BATTERY ASSY, DCP8065DN/MFC8460N/MFC8860DN/MFC8870DW			

14. ACCESSORIES



LIST14(Accessories)

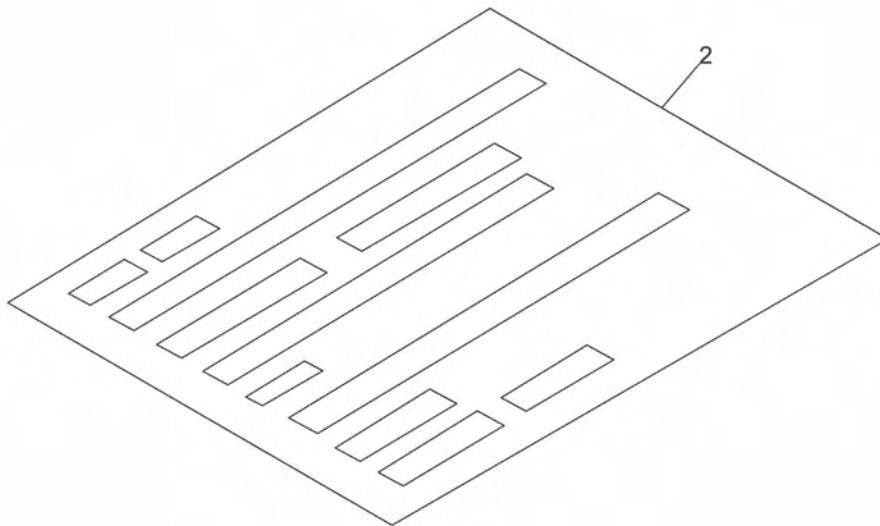
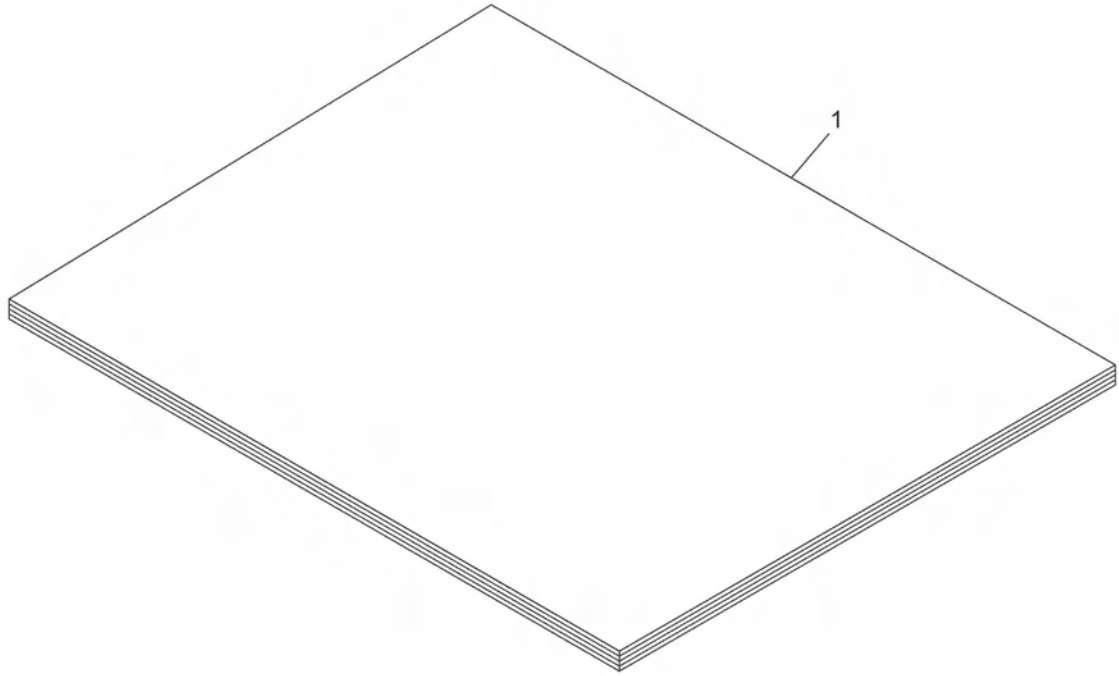
REF No.	CODE	QTY	DESCRIPTION	RECOMMEND	REMARKS
1	LG4424001	1	AC CORD BAG ASSY LF VDE FOR GER/FRA/SPA/ITA/ASA/IND/RUS/PND/GNR		
1	LG6208001	1	AC CORD BAG ASSY LF BS/PSB FOR UK/ASA/IND		
1	LG4718001	1	AC CORD BAG ASSY LF SEV FOR CHE		
1	LJ9353001	1	AC CORD BAG ASSY LF FOR CHN		
1	LJ9667001	1	AC CORD BAG ASSY LF SAA FOR ASA/OCE		
1	LG4720001	1	AC CORD BAG ASSY LF DEMKO FOR PND		
1	LG6404001	1	AC CORD BAG ASSY LF SAF FOR ZAF		
2	LP2083001	1	CD-ROM ASSY, DCP8060 FOR GER/UK/CHE/ASA/GNR <Windows>		
2	LP2153001	1	CD-ROM ASSY, DCP8065DN FOR GER/UK/CHE/ASA/GNR <Windows>		
2	LP2059001	4	CD-ROM ASSY, MFC8460N FOR GER/UK/CHE/ZAF <Windows>		del
2	LS0040001	1	CD-ROM ASSY, MFC8460N FOR GER/UK/CHE/ZAF/ASA/IND/OCE/GNR <Windows>		add
2	LP2241001	4	CD-ROM ASSY, MFC8860DN FOR GER/UK/CHE/ZAF/OCE/GNR <Windows>		del
2	LS0042001	1	CD-ROM ASSY, MFC8860DN FOR GER/UK/CHE/ZAF/ASA/IND/OCE/GNR <Windows>		add
2	LP2280001	1	CD-ROM ASSY, MFC8870DW FOR GER/UK/CHE <Windows>		
2	LP2090001	1	CD-ROM ASSY, DCP8060 FOR FRA <Windows>		
2	LP2155001	1	CD-ROM ASSY, DCP8065DN FOR FRA <Windows>		
2	LP2172001	1	CD-ROM ASSY, MFC8460N FOR FRA <Windows>		
2	LP2245001	1	CD-ROM ASSY, MFC8860DN FOR FRA <Windows>		
2	LP2282001	1	CD-ROM ASSY, MFC8870DW FOR FRA <Windows>		
2	LP2101001	1	CD-ROM ASSY, DCP8060 FOR SPA/ITA <Windows>		
2	LP2154001	1	CD-ROM ASSY, DCP8065DN FOR SPA/ITA <Windows>		
2	LP2171001	1	CD-ROM ASSY, MFC8460N FOR SPA/ITA <Windows>		
2	LP2063001	1	CD-ROM ASSY, MFC8860DN FOR SPA/ITA <Windows>		
2	LP2281001	1	CD-ROM ASSY, MFC8870DW FOR SPA/ITA <Windows>		
2	LP2382001	1	CD-ROM ASSY, DCP8060 FOR CHN <Windows>		
2	LP2391001	1	CD-ROM ASSY, MFC8460N FOR CHN <Windows>		
2	LP2400001	1	CD-ROM ASSY, MFC8860DN FOR CHN <Windows>		
2	LP2116001	1	CD-ROM ASSY, DCP8065DN FOR RUS <Windows>		
2	LP2270001	1	CD-ROM ASSY, MFC8860DN FOR RUS <Windows>		
2	LP2114001	1	CD-ROM ASSY, DCP8060 FOR PND <Windows> <NORWEGIAN / SWEDISH / DANISH>		
2	LP2117001	1	CD-ROM ASSY, DCP8060 FOR PND <Windows> <FINNISH>		
2	LP2156001	1	CD-ROM ASSY, DCP8065DN FOR PND <Windows> <NORWEGIAN / SWEDISH / DANISH>		
2	LP2158001	1	CD-ROM ASSY, DCP8065DN FOR PND <Windows> <FINNISH>		
2	LP2173001	1	CD-ROM ASSY, MFC8460N FOR PND <Windows> <NORWEGIAN / SWEDISH / DANISH>		
2	LP2175001	1	CD-ROM ASSY, MFC8460N FOR PND <Windows> <FINNISH>		
2	LP2268001	1	CD-ROM ASSY, MFC8860DN FOR PND <Windows> <NORWEGIAN / SWEDISH / DANISH>		
2	LP2272001	1	CD-ROM ASSY, MFC8860DN FOR PND <Windows> <FINNISH>		
2	LP2283001	1	CD-ROM ASSY, MFC8870DW FOR PND <Windows> <NORWEGIAN / SWEDISH / DANISH>		
2	LP2311001	1	CD-ROM ASSY, MFC8870DW FOR PND <Windows> <FINNISH>		
2	LP2115001	1	CD-ROM ASSY, DCP8060 FOR GNR <Windows>		
2	LP2157001	1	CD-ROM ASSY, DCP8065DN FOR GNR <Windows>		
2	LP2174001	1	CD-ROM ASSY, MFC8460N FOR GNR <Windows>		
2	LP2269001	1	CD-ROM ASSY, MFC8860DN FOR GNR <Windows>		
3	LP2211001	1	CD-ROM ASSY, DCP8060/DCP8065DN FOR GER/UK/FRA/CHE/SPA/ITA/ASA/RUS/GNR <Macintosh>, FOR PND <NORWEGIAN / SWEDISH / DANISH>		chg
3	LP2092001	4	CD-ROM ASSY, MFC8460N/MFC8860DN FOR GER/UK/FRA/CHE/SPA/ITA/ZAF <Macintosh>		del
3	LS0041001	1	CD-ROM ASSY, MFC8460N/MFC8860DN EXCEPT FOR CHN <Macintosh>		add
3	LP2284001	4	CD-ROM ASSY, MFC8870DW FOR GER/UK/FRA/CHE/SPA/ITA <Macintosh>		del

8C5B33/8C5B35/
8C5B43/8C5B45/8C5B47DCP8060/DCP8065DN/
MFC8460N/MFC8860DN/MFC8870DW

LIST14(Accessories)

REF No.	CODE	QTY	DESCRIPTION	RECOMMEND	REMARKS
3	LP2210004	4	CD-ROM ASSY, DCP8060/DCP8065DN FOR PND <Macintosh> <NORWEGIAN / SWEDISH / DANISH>		del
3	LP2235004	4	CD-ROM ASSY, MFC8460N/MFC8860DN FOR PND <Macintosh> <FINNISH>		del
3	LP2285001	1	CD-ROM ASSY, MFC8870DW <Macintosh>		
3	LP2211004	4	CD-ROM ASSY, DCP8060/DCP8065DN FOR RUS/GNR <Macintosh>		del
3	LP2239004	4	CD-ROM ASSY, MFC8460N/MFC8860DN FOR RUS/GNR <Macintosh>		del
4	UG3625001	1	TELEPHONE LINE CORD FOR GER		
4	UG4205001	1	TELEPHONE LINE CORD FOR GER/GNR <AUSTRIA>		
4	LG3077001	1	TELEPHONE LINE CORD FOR UK/FRA/SPA/CHN/ZAF/ASA/IND/RUS/OCE/GNR		
4	UG3626001	1	TELEPHONE LINE CORD FOR UK		
4	UG3627001	1	TELEPHONE LINE CORD FOR FRA		
4	UG1575001	1	TELEPHONE LINE CORD FOR FRA <BELGIUM>		
4	LG7202001	1	TELEPHONE LINE CORD FOR CHE		chg
4	UG3634001	1	TELEPHONE LINE CORD FOR ITA		
4	LG5827001	1	TELEPHONE LINE CORD FOR PND		
4	UG3290001	1	TELEPHONE LINE CORD FOR OCE		
5	LG3622001	1	TELEPHONE PLUG DUT FOR FRA <NETHERLANDS>		
6	LG3509001	1	TELEPHONE PLUG ARL FOR OCE <AUSTRALIA>		
7	LG5829001	1	TELEPHONE PLUG FIN FOR PND <FINLAND>		
8	LG5828001	1	TELEPHONE PLUG DEN FOR PND <DENMARK>		
9	LG5830001	1	TELEPHONE PLUG SWE FOR PND <SWEDEN>		
10	LS0474001	1	CD-ROM ASSY VISTA, DCP8060/8065DN/MFC8460N/8860DN/ 8870DW FOR GER/UK/CHE/ZAF/ASA/IND/OCE/EEU		CHG
10	LS0475001	1	CD-ROM ASSY VISTA, DCP8060/8065DN/MFC8460N/8860DN/ 8870DW FOR SPA/ITA		CHG
10	LS0476001	1	CD-ROM ASSY VISTA, DCP8060/8065DN/MFC8460N/8860DN/ 8870DW FOR FRA		CHG
10	LS0477001	1	CD-ROM ASSY VISTA, DCP8060/8065DN/MFC8460N/8860DN/ 8870DW FOR PND		CHG
10	LS0478001	1	CD-ROM ASSY VISTA, DCP8060/8065DN/MFC8460N/8860DN FOR EEU		CHG
10	LS0479001	1	CD-ROM ASSY VISTA, DCP8060/MFC8460N/8860DN FOR CHN		CHG
10	LS0480001	1	CD-ROM ASSY VISTA, DCP8060/8065DN/MFC8460N/8860DN/ 8870DW FOR PND		CHG
10	LS0483001	1	CD-ROM ASSY VISTA, DCP8065DN/MFC8860DN FOR RUS		CHG
11	LJ9803001	1	USB CABLE 2.0 FOR CHN		add

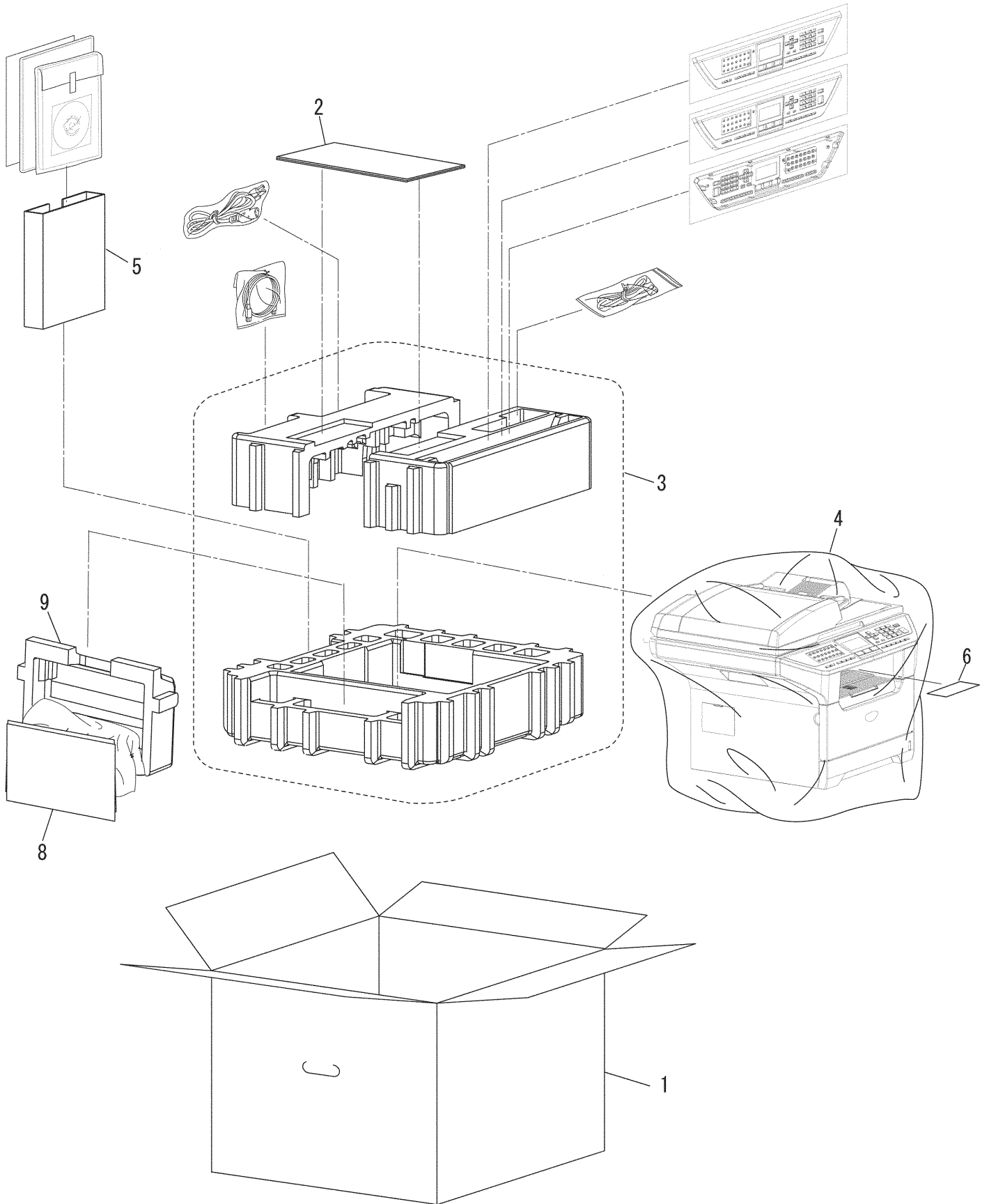
15. PRINTED MATERIALS



LIST15(PRINTED MATERIALS)

REF No.	CODE	Q'TY	DESCRIPTION	RECOMMEND	REMARKS
1	LP2124003	1	USER'S GUIDE, MFC8460N/MFC8860DN/MFC8870DW FOR GER/CHE <GERMAN>		
1	LP2124004	1	USER'S GUIDE, MFC8460N/MFC8860DN/MFC8870DW FOR UK/ZAF		
1	LP2124005	1	USER'S GUIDE, MFC8460N/MFC8860DN/MFC8870DW FOR FRA/CHE <FRENCH>		
1	LP2124009	1	USER'S GUIDE, MFC8460N/MFC8860DN/MFC8870DW FOR FRA/CHE <DUTCH>		
1	LP2124015	1	USER'S GUIDE, MFC8460N/MFC8860DN/MFC8870DW FOR SPA <SPANISH>		
1	LP2124018	1	USER'S GUIDE, MFC8460N/MFC8860DN/MFC8870DW FOR SPA <PORTUGUESE>		
1	LP2124016	1	USER'S GUIDE, MFC8460N/MFC8860DN/MFC8870DW FOR ITA		
1	LP2323020	1	USER'S GUIDE, DCP8060 FOR CHN		
1	LP2124020	1	USER'S GUIDE, MFC8460N/MFC8860DN FOR CHN		
1	LP2124040	1	USER'S GUIDE, MFC8460N/MFC8860DN FOR ASA/OCE		
1	LS0045045	1	USER'S GUIDE, MFC8460N/MFC8860DN FOR IND		
1	LP2204007	1	USER'S GUIDE, MFC8460N/MFC8860DN/MFC8870DW FOR PND <NORWEGIAN / SWEDISH>		
1	LP2205013	1	USER'S GUIDE, MFC8460N/MFC8860DN/MFC8870DW FOR PND <FINNISH / DANISH>		
1	LP2124048	1	USER'S GUIDE, MFC8860DN FOR RUS		
1	LP2323040	1	USER'S GUIDE, DCP8060/DCP8065DN FOR ASA		
2	----		NOT USED		

16. PACKING MATERIALS

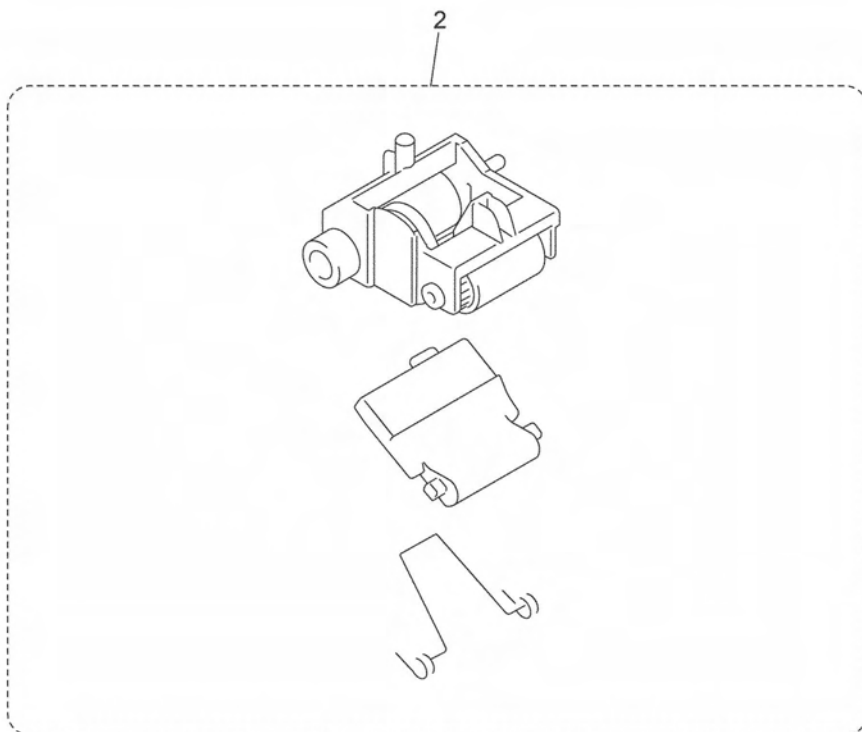
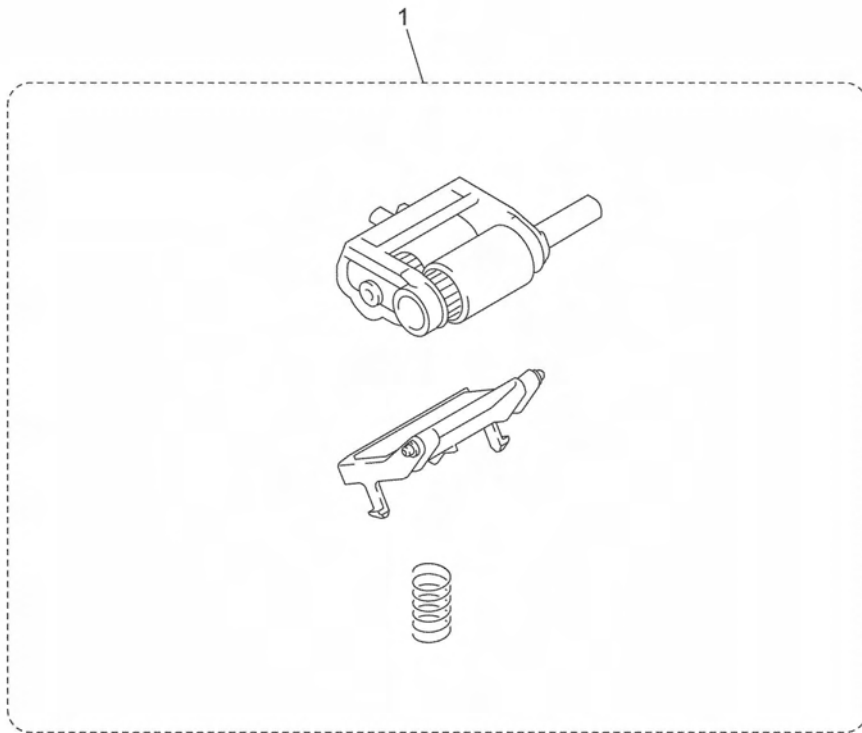


LIST16(PACKING MATERIALS)

REF No.	CODE	Q'TY	DESCRIPTION	RECOMMEND	REMARKS
1	LP2085001	1	CARTON, BROTHER, DCP8060 EXCEPT FOR CHN	√	
1	LP2125001	1	CARTON, BROTHER, DCP8065DN	√	
1	LP2493001	1	CARTON, BROTHER, MFC8460N EXCEPT FOR CHN	√	
1	LP2494001	1	CARTON, BROTHER, MFC8860DN EXCEPT FOR CHN	√	
1	LP2286001	1	CARTON, BROTHER, DCP8870DW	√	
1	LP2384001	1	CARTON, BROTHER, DCP8060 FOR CHN	√	
1	LP2393001	1	CARTON, BROTHER, MFC8460N FOR CHN	√	
1	LP2696001	1	CARTON, BROTHER, MFC8460N FOR IND	√	
1	LP2398001	1	CARTON, BROTHER, MFC8860DN FOR CHN	√	
1	LP2698001	1	CARTON, BROTHER, MFC8860DN FOR IND	√	
2	LP2086003	1	QUICK SETUP GUIDE, DCP8060/DCP8065DN FOR GER/CHE/GNR <GERMAN>		
2	LP2161003	1	QUICK SETUP GUIDE, MFC8460N/MFC8860DN FOR GER/CHE/GNR <GERMAN>		
2	LP2294003	1	QUICK SETUP GUIDE, MFC8870DW FOR GER/CHE <GERMAN>		
2	LP2086004	1	QUICK SETUP GUIDE, DCP8060/DCP8065DN FOR UK		
2	LP2161004	1	QUICK SETUP GUIDE, MFC8460N/MFC8860DN FOR UK/ZAF		
2	LP2294004	1	QUICK SETUP GUIDE, MFC8870DW FOR UK		
2	LP2086005	1	QUICK SETUP GUIDE, DCP8060/DCP8065DN FOR FRA/CHE <FRENCH>		
2	LP2086009	1	QUICK SETUP GUIDE, DCP8060/DCP8065DN FOR FRA <DUTCH>		
2	LP2161005	1	QUICK SETUP GUIDE, MFC8460N/MFC8860DN FOR FRA/CHE <FRENCH>		
2	LP2161009	1	QUICK SETUP GUIDE, MFC8460N/MFC8860DN FOR FRA <DUTCH>		
2	LP2294005	1	QUICK SETUP GUIDE, MFC8870DW FOR FRA/CHE <FRENCH>		
2	LP2294009	1	QUICK SETUP GUIDE, MFC8870DW FOR FRA <DUTCH>		
2	LP2086015	1	QUICK SETUP GUIDE, DCP8060/DCP8065DN FOR SPA <SPANISH>		
2	LP2086018	1	QUICK SETUP GUIDE, DCP8060/DCP8065DN FOR SPA <PORTUGUESE>		
2	LP2161015	1	QUICK SETUP GUIDE, MFC8460N/MFC8860DN FOR SPA <SPANISH>		
2	LP2161018	1	QUICK SETUP GUIDE, MFC8460N/MFC8860DN FOR SPA <PORTUGUESE>		
2	LP2294015	1	QUICK SETUP GUIDE, MFC8870DW FOR SPA <SPANISH>		
2	LP2294018	1	QUICK SETUP GUIDE, MFC8870DW FOR SPA <PORTUGUESE>		
2	LP2086016	1	QUICK SETUP GUIDE, DCP8060/DCP8065DN FOR ITA		
2	LP2161016	1	QUICK SETUP GUIDE, MFC8460N/MFC8860DN FOR ITA		
2	LP2294016	1	QUICK SETUP GUIDE, MFC8870DW FOR ITA		
2	LP2086020	1	QUICK SETUP GUIDE, DCP8060 FOR CHN		
2	LP2161020	1	QUICK SETUP GUIDE, MFC8460N/MFC8860DN FOR CHN		
2	LP2086040	1	QUICK SETUP GUIDE, DCP8060/DCP8065DN FOR ASA		
2	LP2161040	1	QUICK SETUP GUIDE, MFC8460N/MFC8860DN FOR ASA/OCE		
2	LS0046045	1	QUICK SETUP GUIDE, MFC8460N/MFC8860DN FOR IND		
2	LP2086007	1	QUICK SETUP GUIDE, DCP8060/DCP8065DN FOR PND <NORWEGIAN>		
2	LP2086012	1	QUICK SETUP GUIDE, DCP8060/DCP8065DN FOR PND <FINNISH>		
2	LP2086013	1	QUICK SETUP GUIDE, DCP8060/DCP8065DN FOR PND <DANISH>		
2	LP2086026	1	QUICK SETUP GUIDE, DCP8060/DCP8065DN FOR PND <SWEDISH>		
2	LP2161007	1	QUICK SETUP GUIDE, MFC8460N/MFC8860DN FOR PND <NORWEGIAN>		
2	LP2161012	1	QUICK SETUP GUIDE, MFC8460N/MFC8860DN FOR PND <FINNISH>		
2	LP2161013	1	QUICK SETUP GUIDE, MFC8460N/MFC8860DN FOR PND <DANISH>		

LIST16(PACKING MATERIALS)

REF No.	CODE	Q'TY	DESCRIPTION	RECOMMEND	REMARKS
2	LP2161026	1	QUICK SETUP GUIDE, MFC8460N/MFC8860DN FOR PND <SWEDISH>		
2	LP2294007	1	QUICK SETUP GUIDE, MFC8870DW FOR PND <NORWEGIAN>		
2	LP2294012	1	QUICK SETUP GUIDE, MFC8870DW FOR PND <FINNISH>		
2	LP2294013	1	QUICK SETUP GUIDE, MFC8870DW FOR PND <DANISH>		
2	LP2294026	1	QUICK SETUP GUIDE, MFC8870DW FOR PND <SWEDISH>		
2	LP2086048	1	QUICK SETUP GUIDE, DCP8065DN FOR RUS		
2	LP2161048	1	QUICK SETUP GUIDE, MFC8860DN FOR RUS		
2	LP2086037	1	QUICK SETUP GUIDE, DCP8060/DCP8065DN FOR GNR <ENGLISH><CZECH><HUNGARIAN>		
2	LP2086039	1	QUICK SETUP GUIDE, DCP8060/DCP8065DN FOR GNR <POLISH><BULGARIAN><RUMANIAN>		
2	LP2161037	1	QUICK SETUP GUIDE, MFC8460N/MFC8860DN FOR GNR <ENGLISH><CZECH><HUNGARIAN>		
2	LP2161039	1	QUICK SETUP GUIDE, MFC8460N/MFC8860DN FOR GNR <POLISH><BULGARIAN><RUMANIAN>		
3	LP2456001	1	POLYSTYRENE FORM PAD ASSY		
4	UE1688001	1	PE BAG 1000X1000H		
5	LF9725001	1	CARTON OPTION		
6	LL0696001	1	SHEET 70x110		
(7)	LP2121001	1	PANEL SEAL, DCP8060/DCP8065DN FOR GNR		
8	LF9984001	1	DRUM UNIT PAD		
9	LP2460001	1	POLYSTYRENE FOAM PAD DRUM		ADD



LIST17(OTHERS)

REF No.	CODE	Q'TY	DESCRIPTION	RECOMMEND	REMARKS
1	LM5852001	1	ROLLER HOLDER SP ASSY		
2	LM6753001	1	MP ROLLER HOLDER SP ASSY		CHG

brother®

PL-FAX130
8C5B33
Ver. R-1