

KONICA MINOLTA

# *PARTS GUIDE MANUAL*

---

*APRIL 2008*

*magicolor 4690MF*  
*A0FD011*

## INFORMATION FOR PARTS GUIDE MANUAL

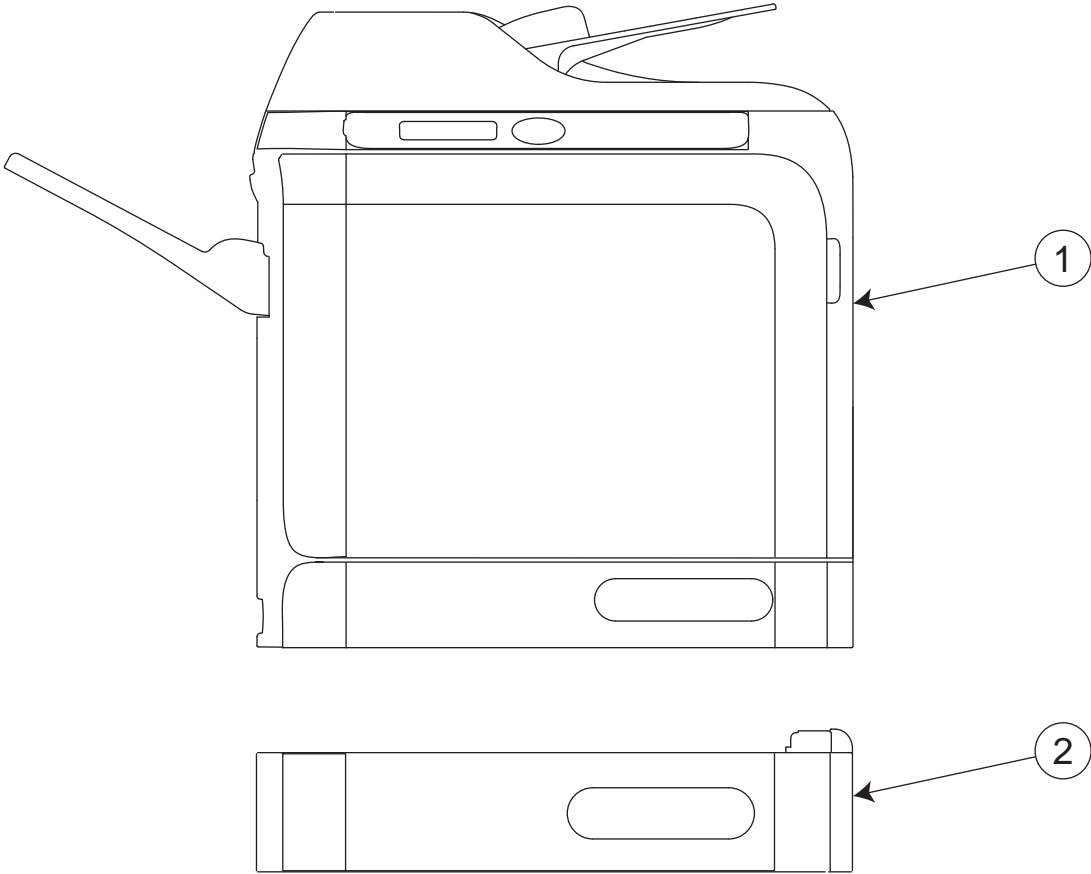
To find correct Parts No., refer to the "HOW TO MAKE THE BEST USE OF THIS MANUAL" in the following page.

### HOW TO MAKE THE BEST USE OF THIS MANUAL

- 1 When you order, please check the proper figures beforehand that are on Our Parts Guide Manual, and order with the appropriate figures.
- 2 For screws, Nuts, Washers, retaining rings and Pins which are used in this model, one letter is shown on the Standard parts column of Parts list and exploded diagrams.
- 3 In order to maintain safety of the product, some specific parts composed of this product are set up as "essential safety parts".
- 4 The assigned parts number for the "essential safety parts" is indicated as "SP00-\*\*\*\*".  
When replacing these parts, follow precautions for disassembling and installing which are listed in the Service Manual.  
Do not use any parts that are not set up as
- 5 ♣ means that there are exclusive parts for each destination.  
Please check the appropriate destination when you order.
- 6 Revision Mark  
Marked as ▲ on the illustration shows that the revision has been made.
- 7 All rights reserved. (any reprints or quotations are prohibited.)  
Use of this parts guide manual should be strictly supervised to avoid disclosure of confidential information.



# SYSTEM OUTLINE



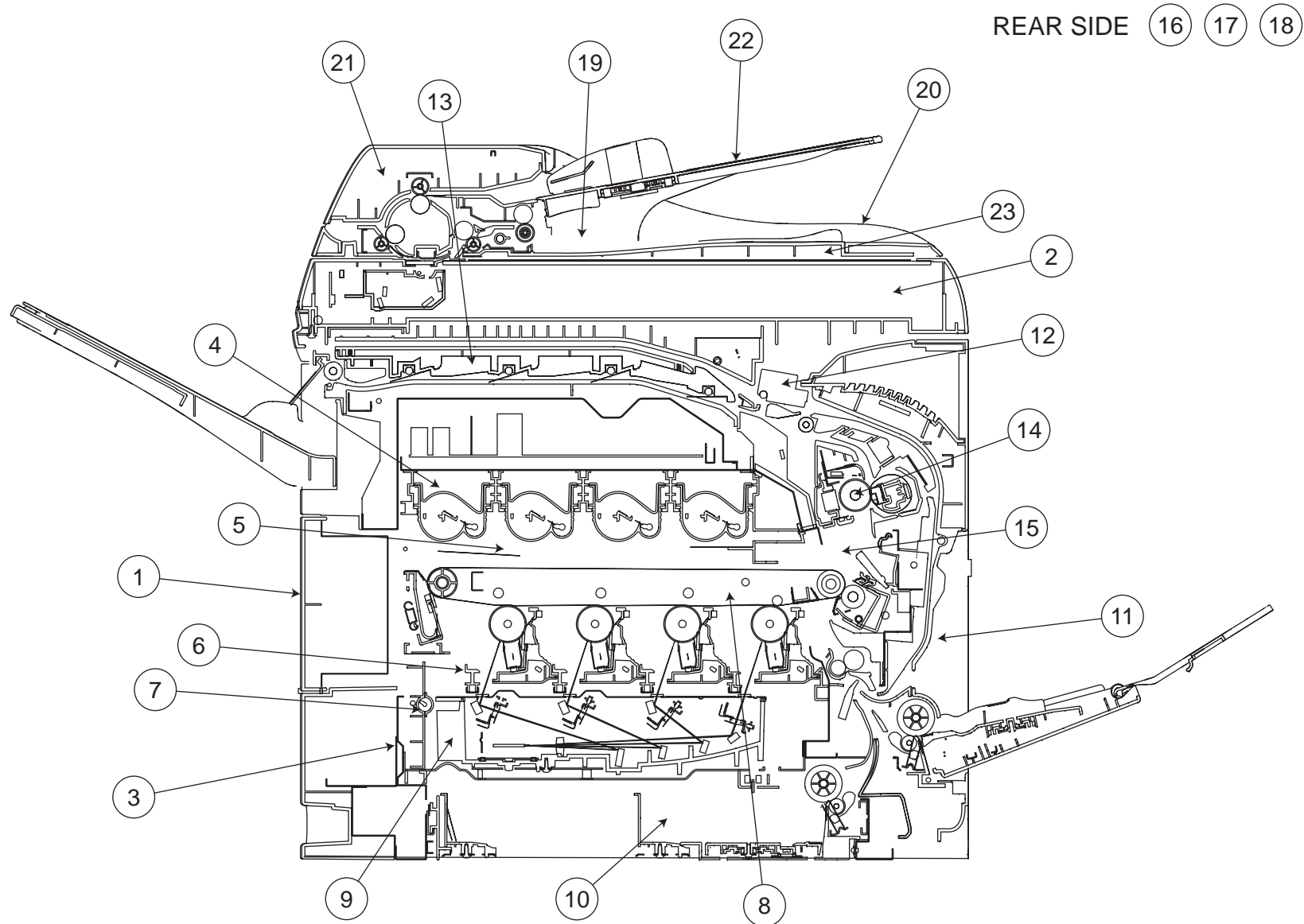
# GENERAL CONTENTS

<b>No.</b>	<b>Description</b>	<b>Model</b>
1	PRINTER COLOR	magicolor 4690MF
2	PAPER FEEDER	SPCU

*NOTE: Parts not listed with a part number are not available as spare part.*

magicolor 4690MF

# DIAGRAM OF MAIN PARTS SECTION



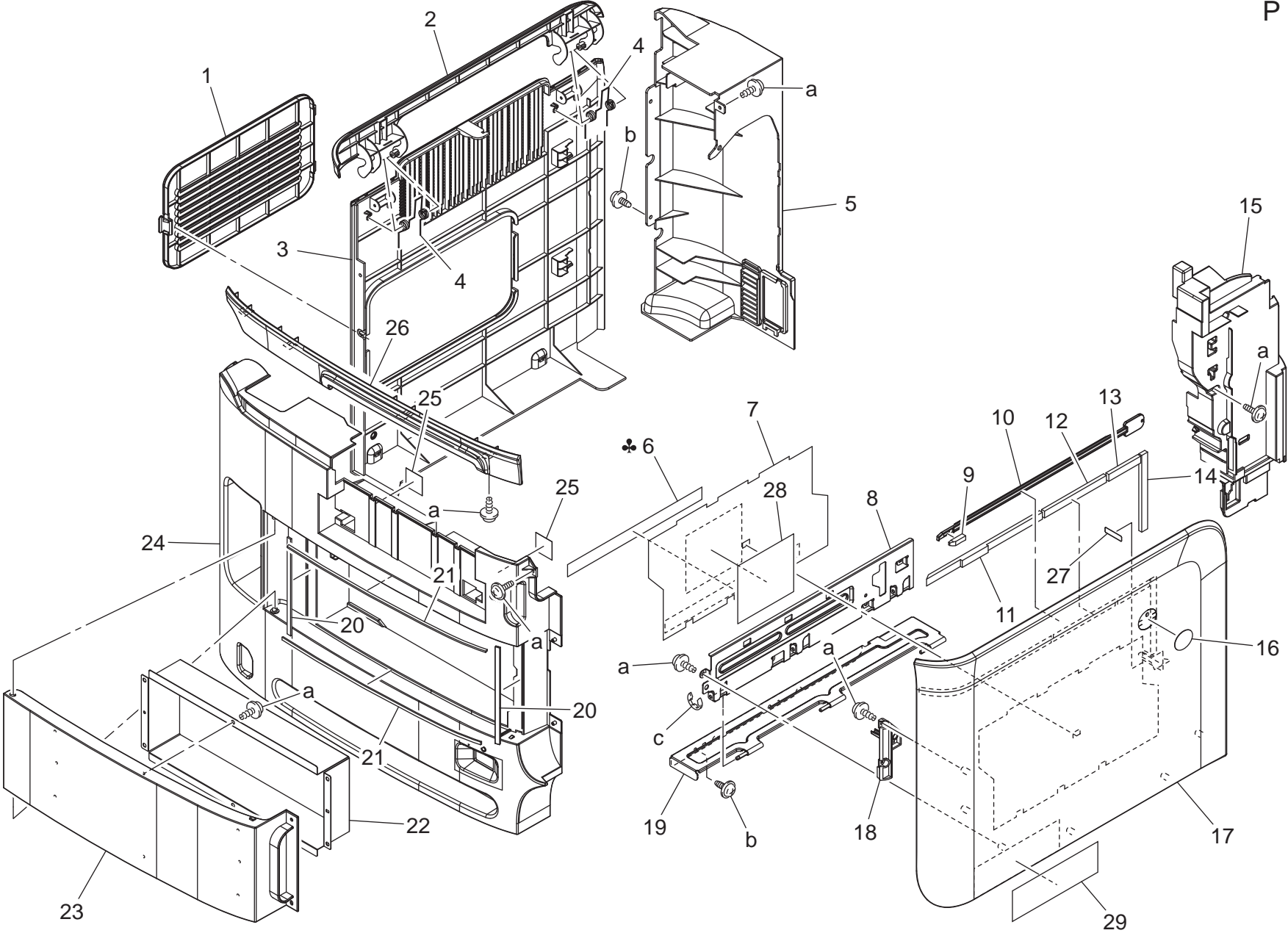
# CONTENTS

No.	DESCRIPTION	PAGE No.
1	EXTERNAL PARTS	P1
2	IR SECTION	P2 P3 P4
3	MAIN FRAME SECTION	P5
4	T/C RAIL SECTION	P6
5	I/U CONTACT SECTION	P7
6	I/U RAIL SECTION	P8
7	WASTE TONER TRANSPORT SECTION	P9
8	TRANSFER BELT UNIT	P10
9	PRINT HEAD SECTION	P11
10	CASSETTE SECTION	P12 P13
11	VERTICAL CONVEYANCE SECTION	P14 P15 P16 P17
12	SWITCH BACK SECTION	P18
13	HORIZONTAL TRANSPORT UNIT	P19 P20 P21
14	FUSING SECTION	P22
15	TRANSFER PRESSURE DRIVE SECTION	P23
16	HOPPER DRIVE SECTION	P24
17	MAIN DRIVE SECTION	P25
18	ELECTRICAL COMPONENTS	P26 P27
19	ADF UNIT	P28
20	ADF TRANSPORT SECTION	P29 P30 P31 P32 P33 P34 P35
21	ADF TRAY SECTION	P36
22	ADF FRAME SECTION	P37
23	WIRING	P38 P39 P40
24	WIRING ACCESSORIES AND JIGS	P41
25	ACCESSORY PARTS	P42

**NOTE: Parts not listed with a part number are not available as spare part.**

magicolor 4690MF

EXTERNAL PARTS

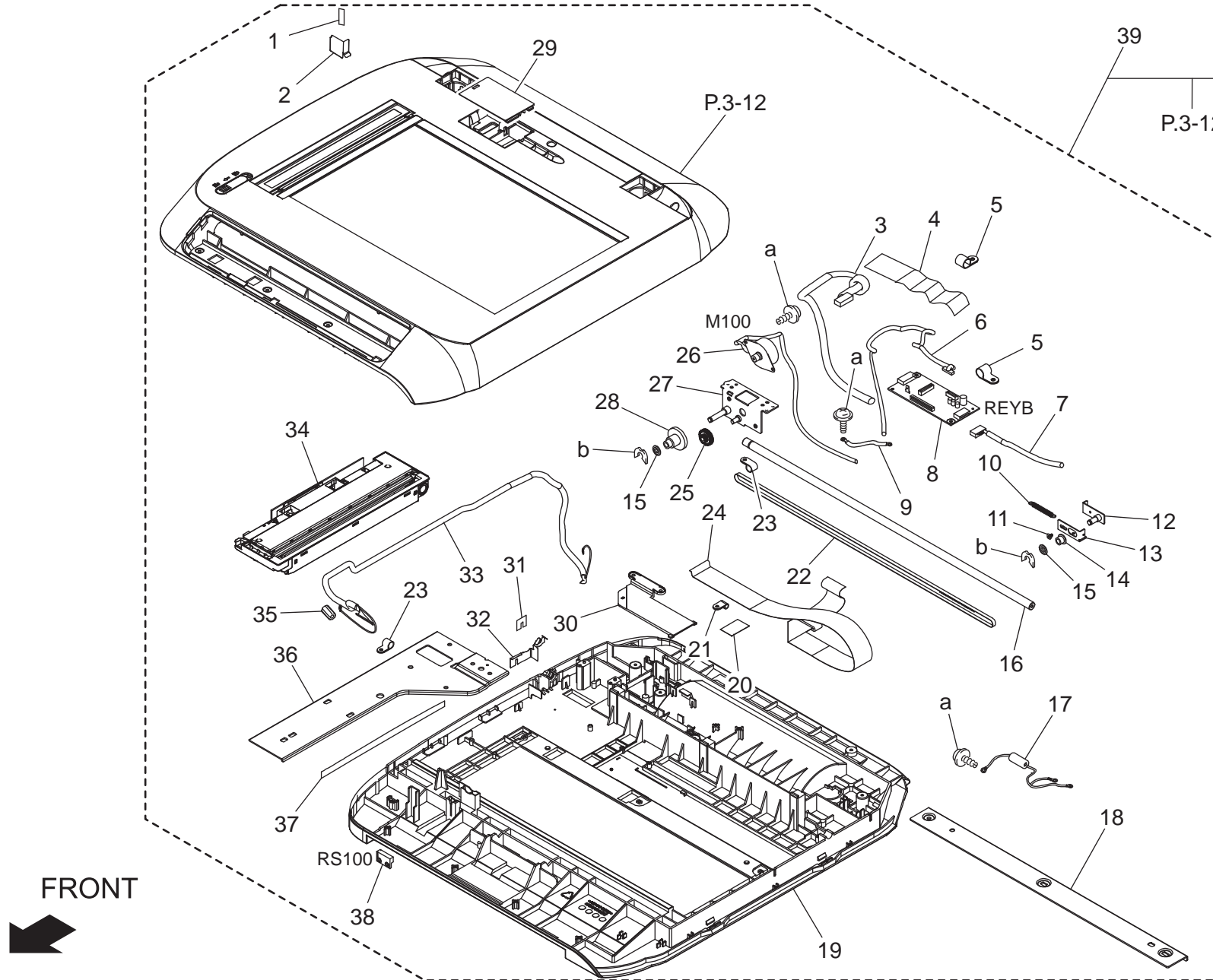




EXTERNAL PARTS

Key	Part No.	Description	Destinations	Class	QTY	Standard parts
9	4138201802	CLEANING PAD, MC 54X0/MC55X0/4650		S	1	
10	A011190100	CLEANING MATERIAL MC55x0/4650		D	1	

IR SECTION

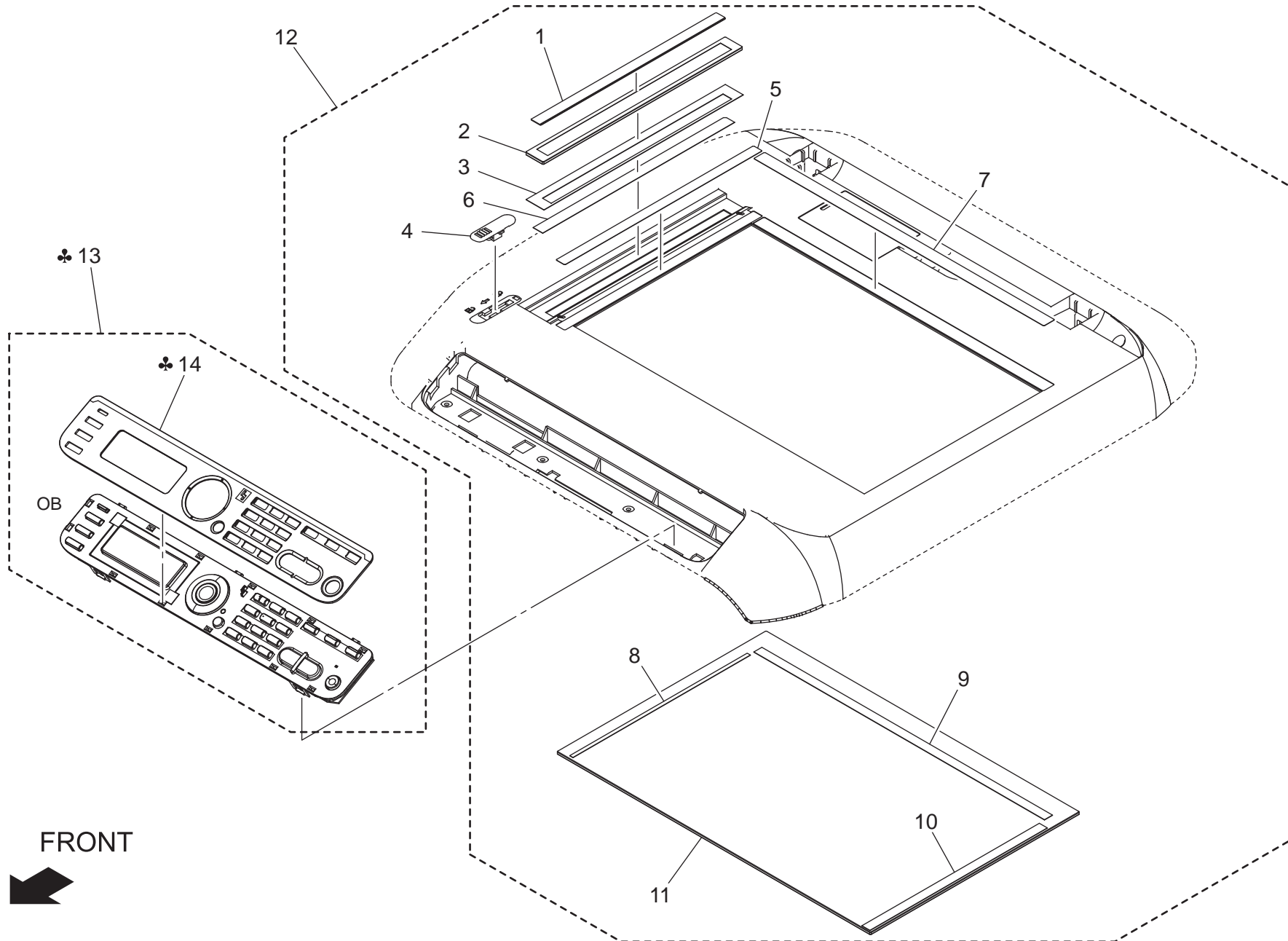


FRONT  
←

IR SECTION

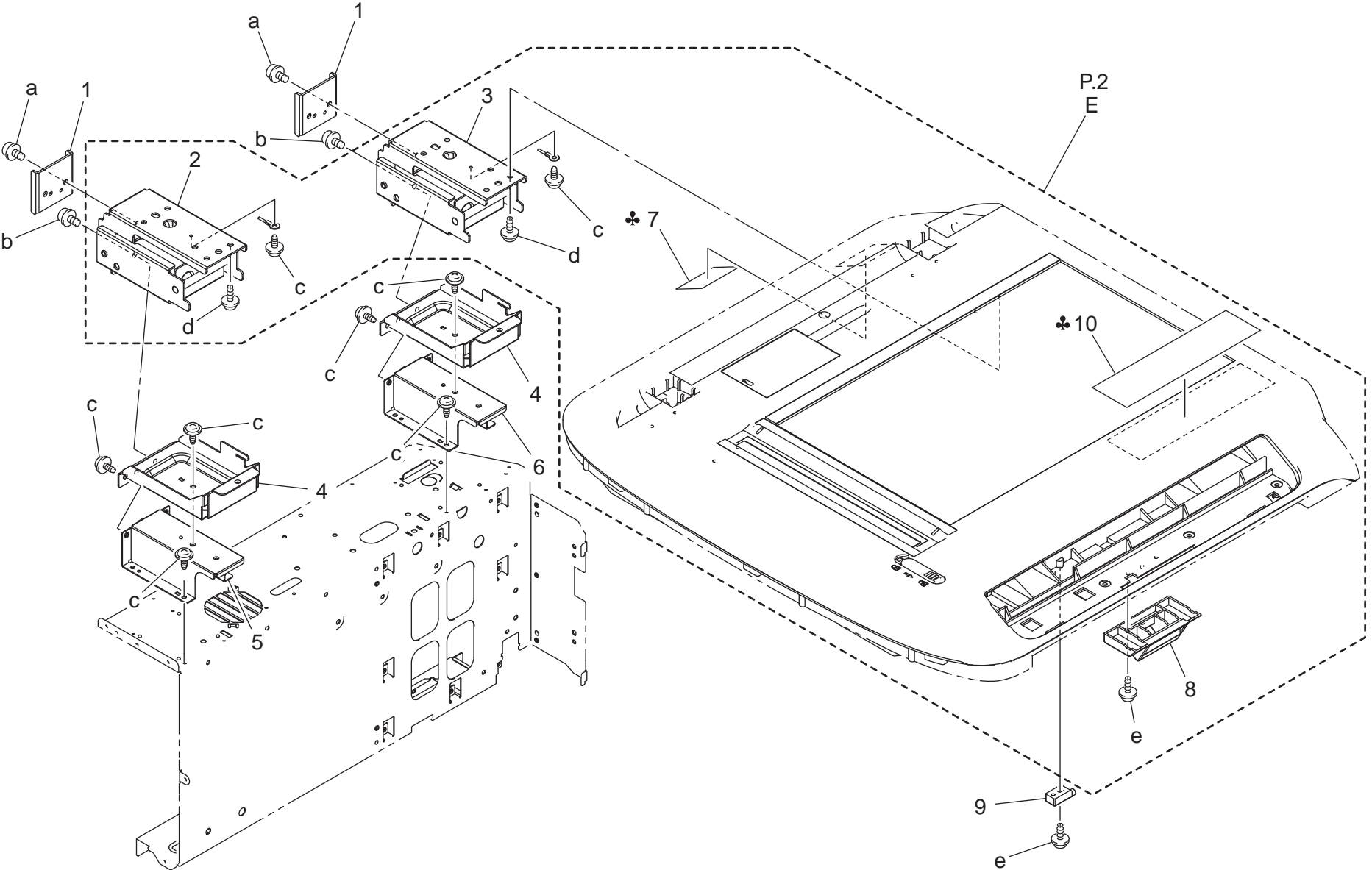
Key	Part No.	Description	Destinations	Class	QTY	Standard parts
34	A0FDPP5N00	Exposure unit		I	1	
39	A0FDR70200	OPTICAL UNIT		S	1	

IR SECTION



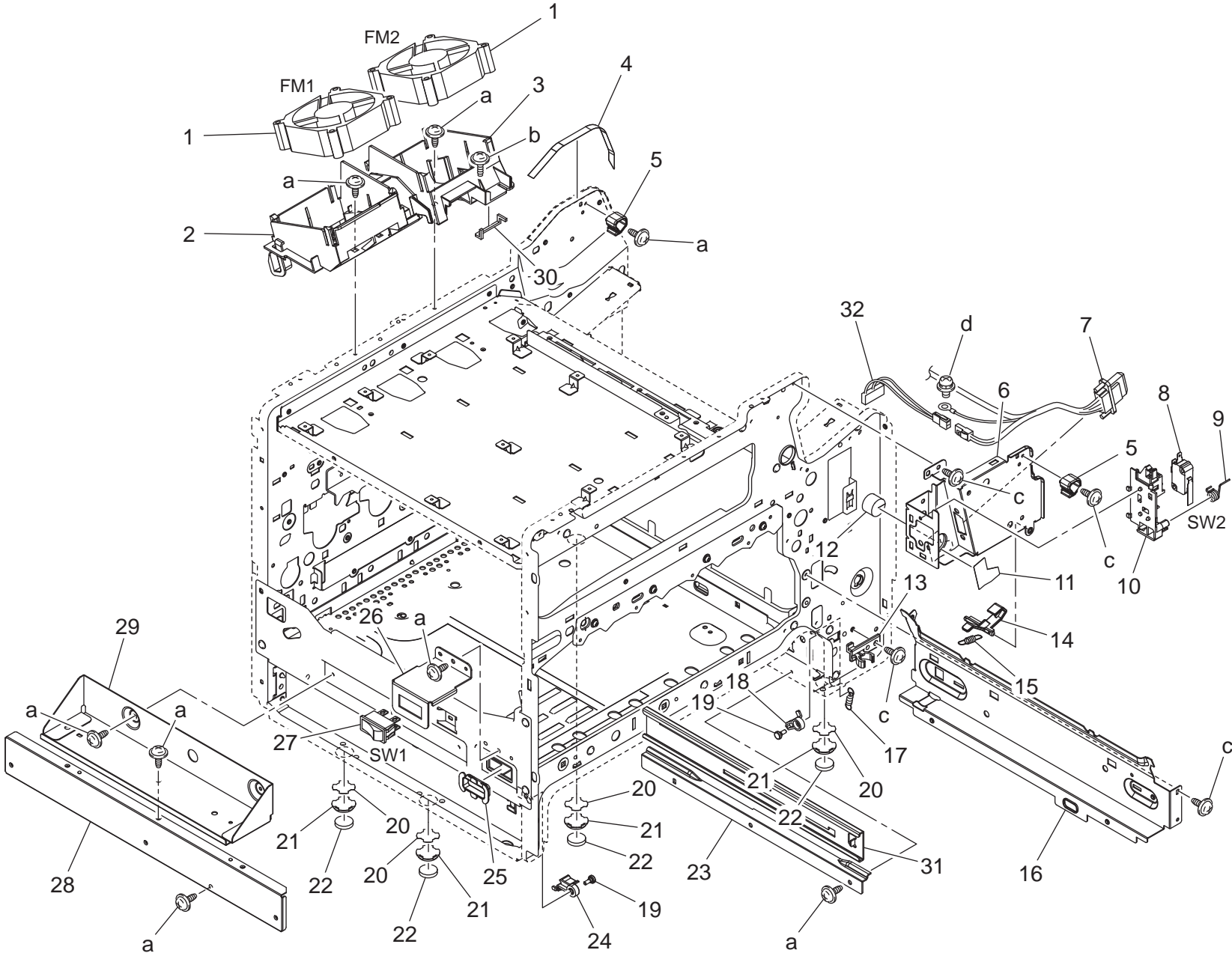


IR SECTION





MAIN FRAME SECTION



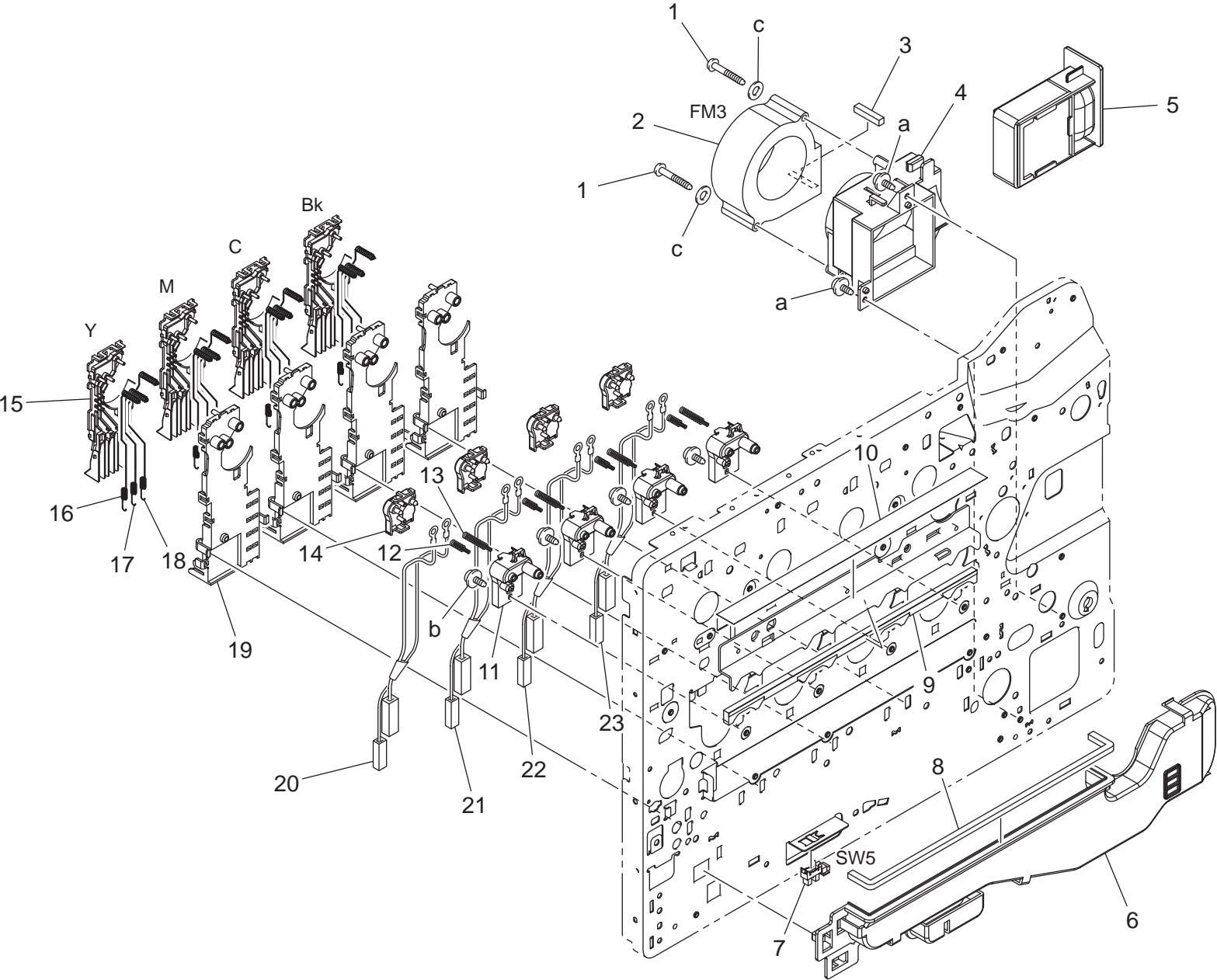








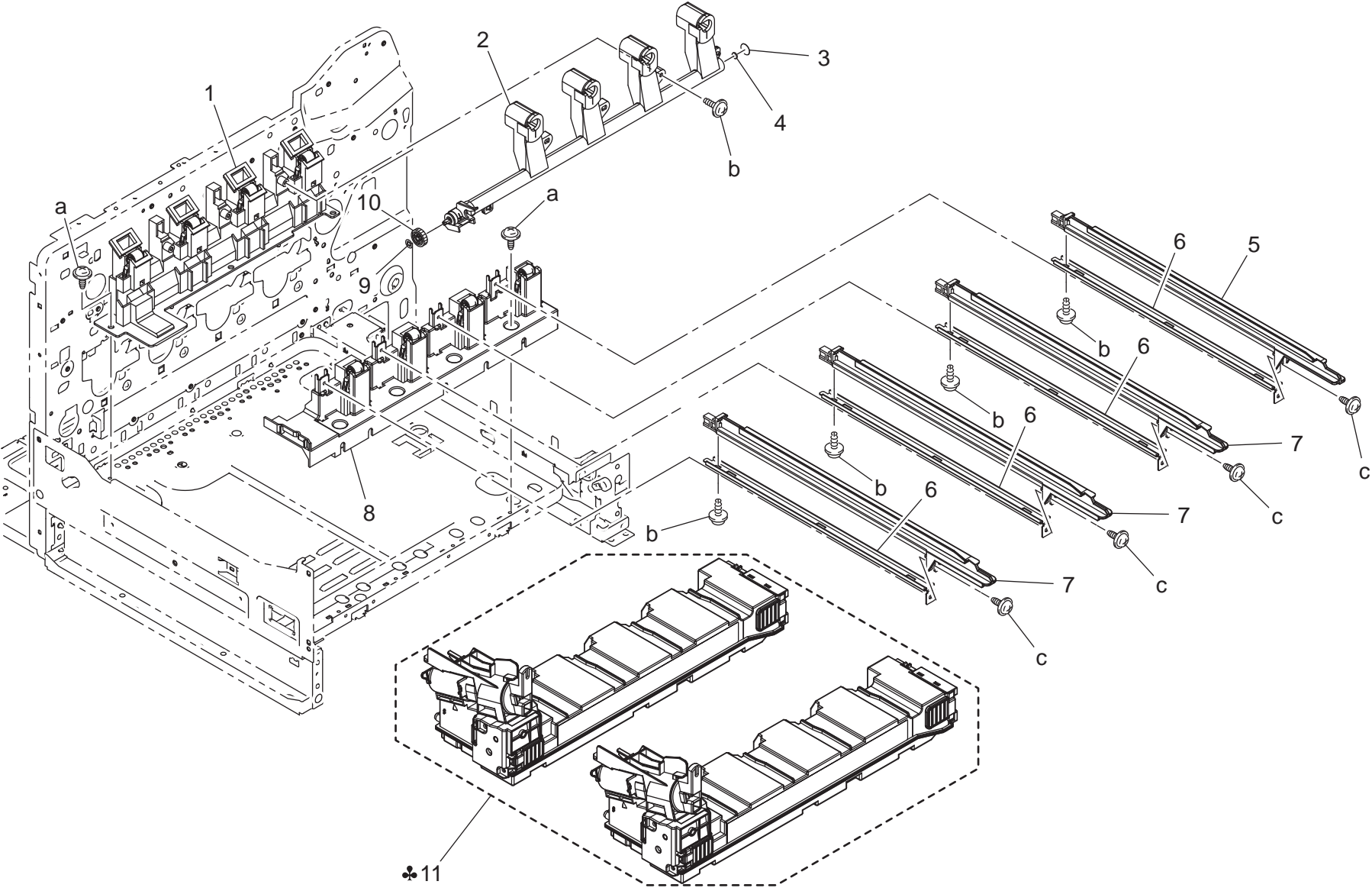
I/U CONTACT SECTION



I/U CONTACT SECTION

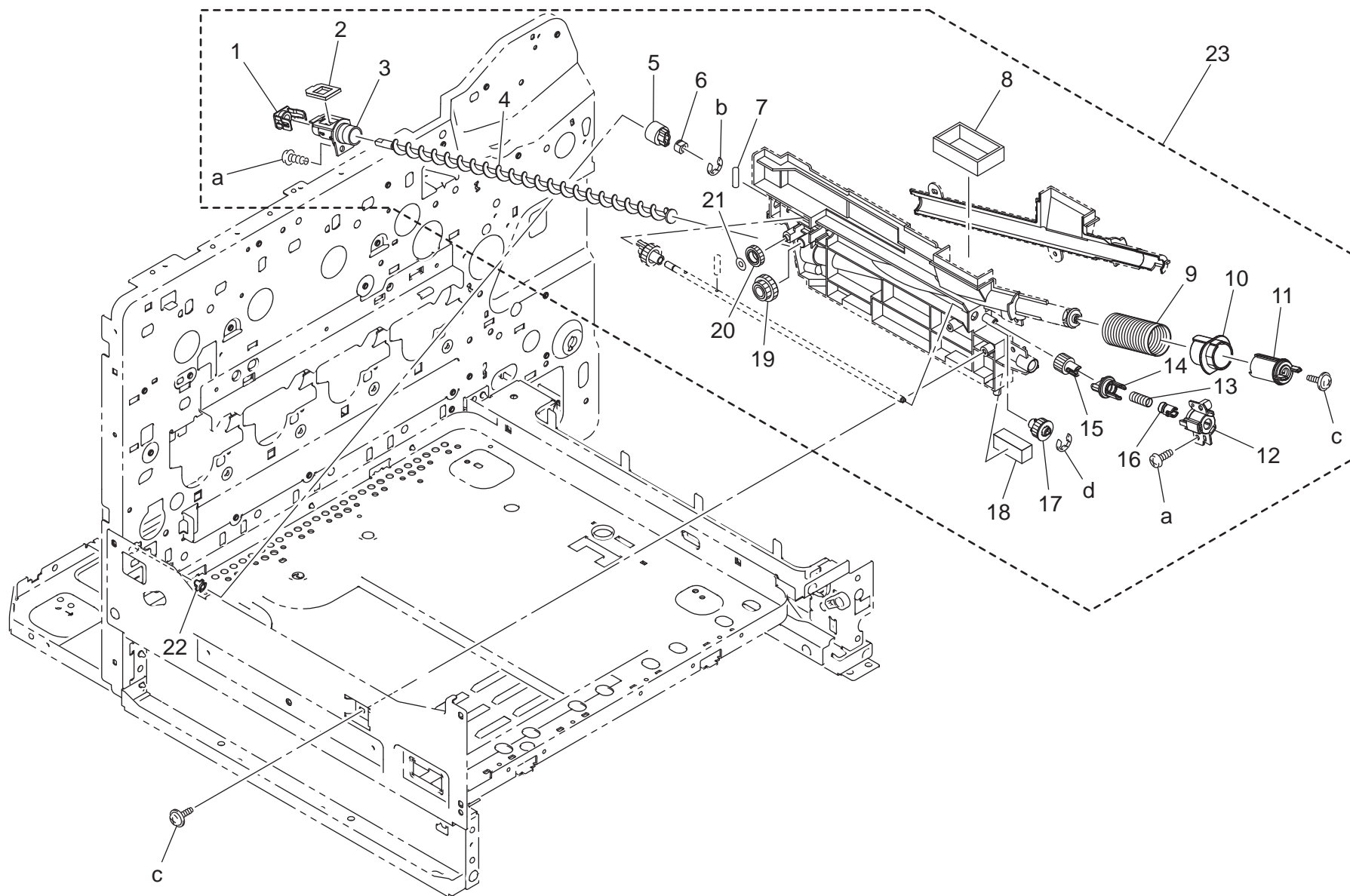
Key	Part No.	Description	Destinations	Class	QTY	Standard parts
2	9313130051	FAN MOTOR (M12/13) MC54X0 / MC5550/5570/4650				
5	A00FR70600	Filter				
7	9335130061	PHOT.INT.MC5430/24X0/MC74/25X0/2590/C10/4650				

I/U RAIL SECTION





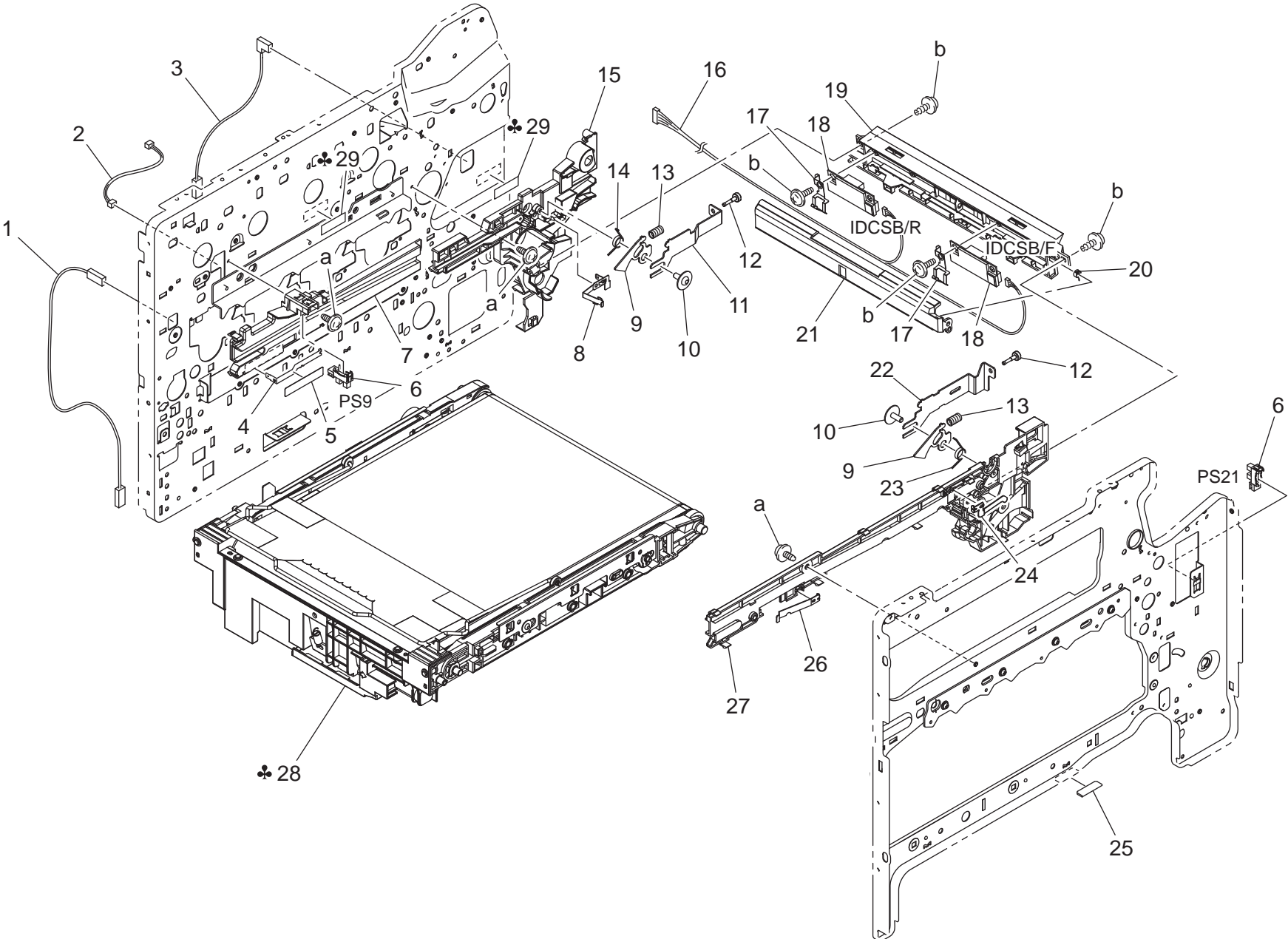
# WASTE TONER TRANSPORT SECTION







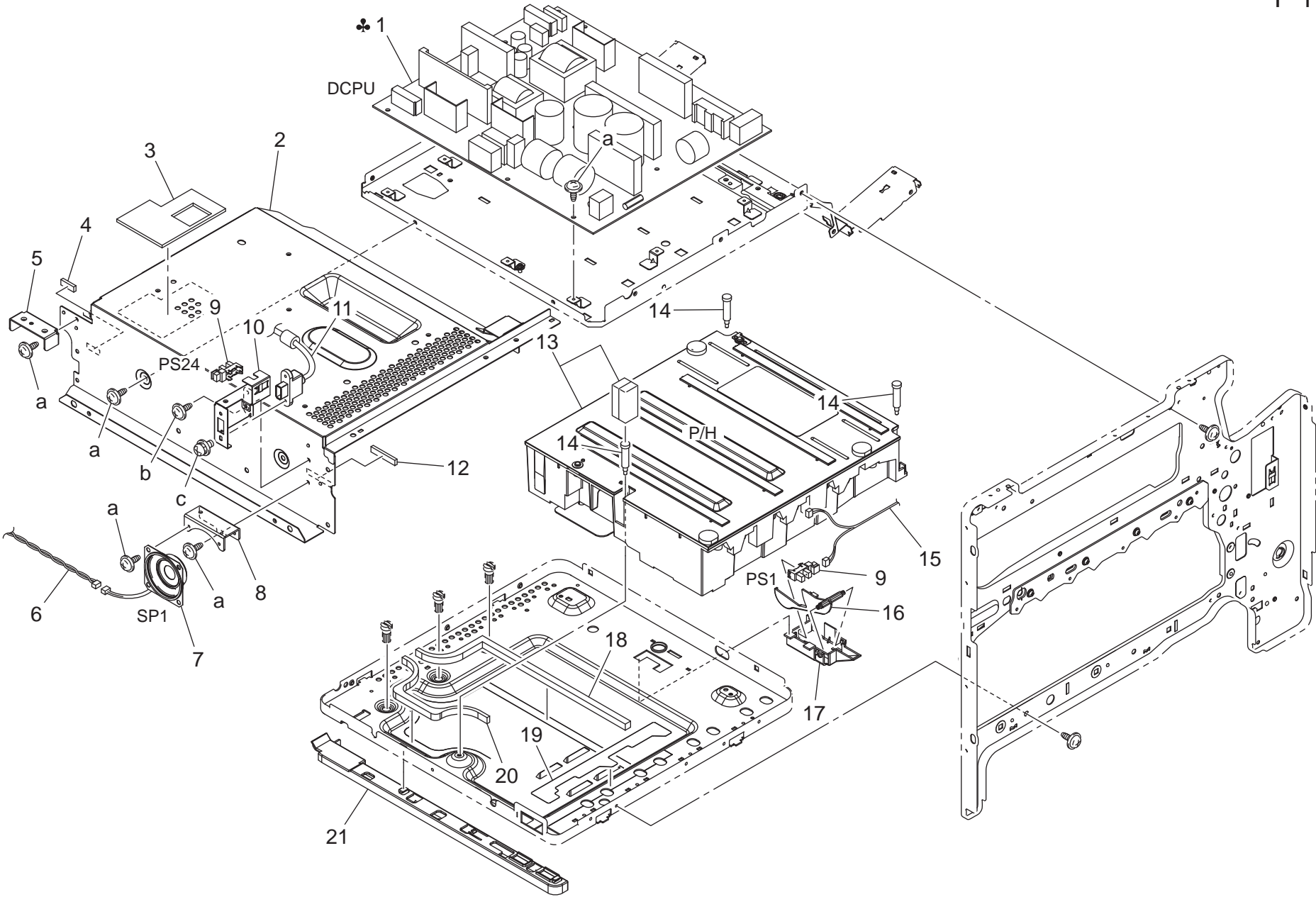
TRANSFER BELT UNIT



# TRANSFER BELT UNIT

Key	Part No.	Description	Destinations	Class	QTY	Standard parts
6	9335130061	PHOT.INT.MC5430/24X0/MC74/25X0/2590/C10/4650		B	2	
18	A011M50000	PHOTO SENSING ELEMENT MC5550/5570/4650				
28	A06X0Y1	TRANSFER BELT UNIT MC55X0//4650		A	1	

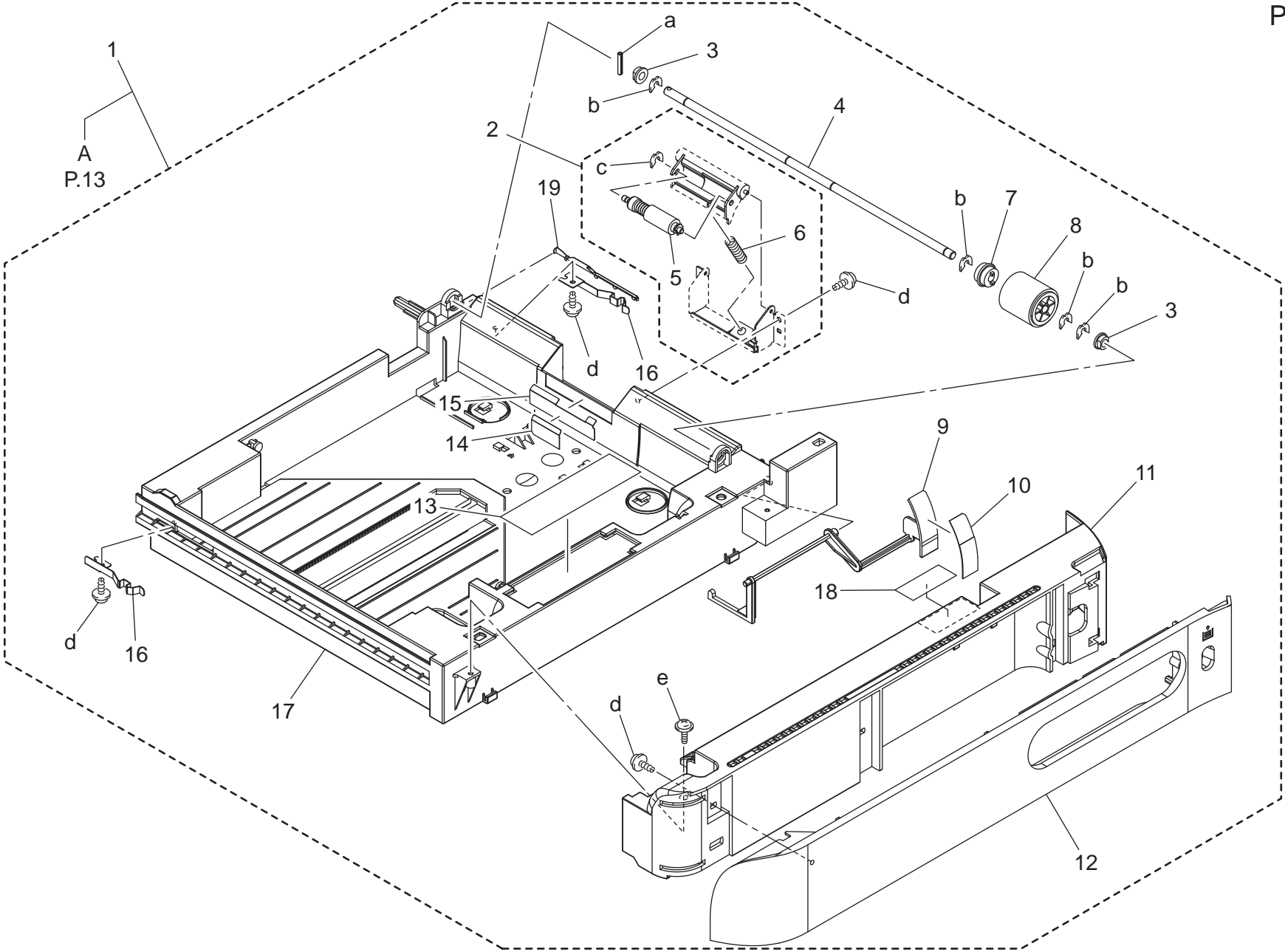
PRINT HEAD SECTION



PRINT HEAD SECTION

Key	Part No.	Description	Destinations	Class	QTY	Standard parts
1	A0FDM40000	Power supply /230V		I	1	
13	A00FR70500	PRINT HEAD ASSY MC4650		I	1	
16	4138307201	ACTUATOR, MC54X0/5550/5570		C	1	
17	4138307102	BRACKET, MC54X0/5550/5570		D	1	

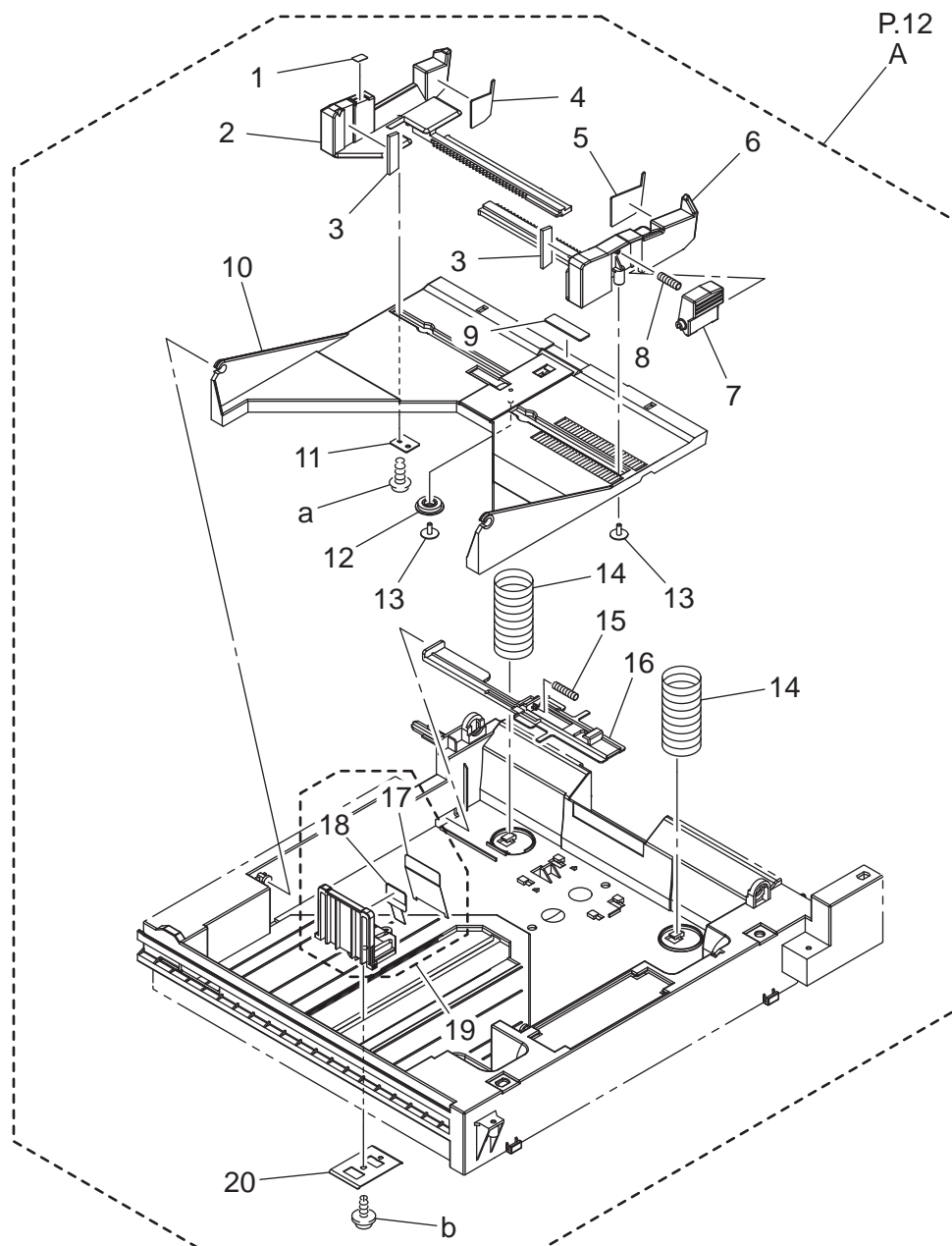
CASSETTE SECTION



CASSETTE SECTION

Key	Part No.	Description	Destinations	Class	QTY	Standard parts
1	A0FDR70000	250 Sheet Tray Assy		S	1	
2	A011R71600	SEPARATION ROLLER ASSY MC55X0, MC4650		C	1	
5	4034015101	MC7450/5440/5450/55x0/4650 ROLLER ASSY SEP.		A	1	

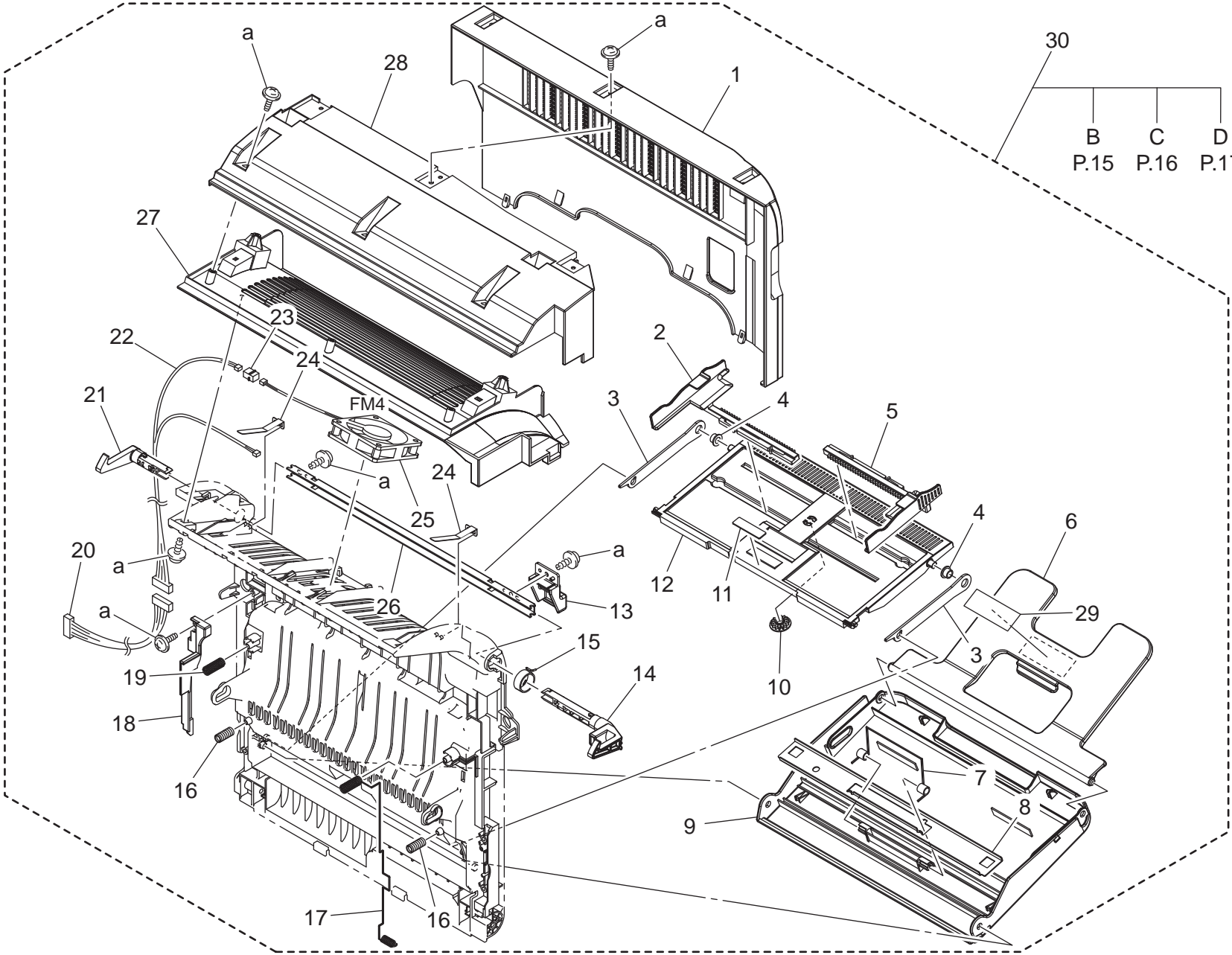
# CASSETTE SECTION







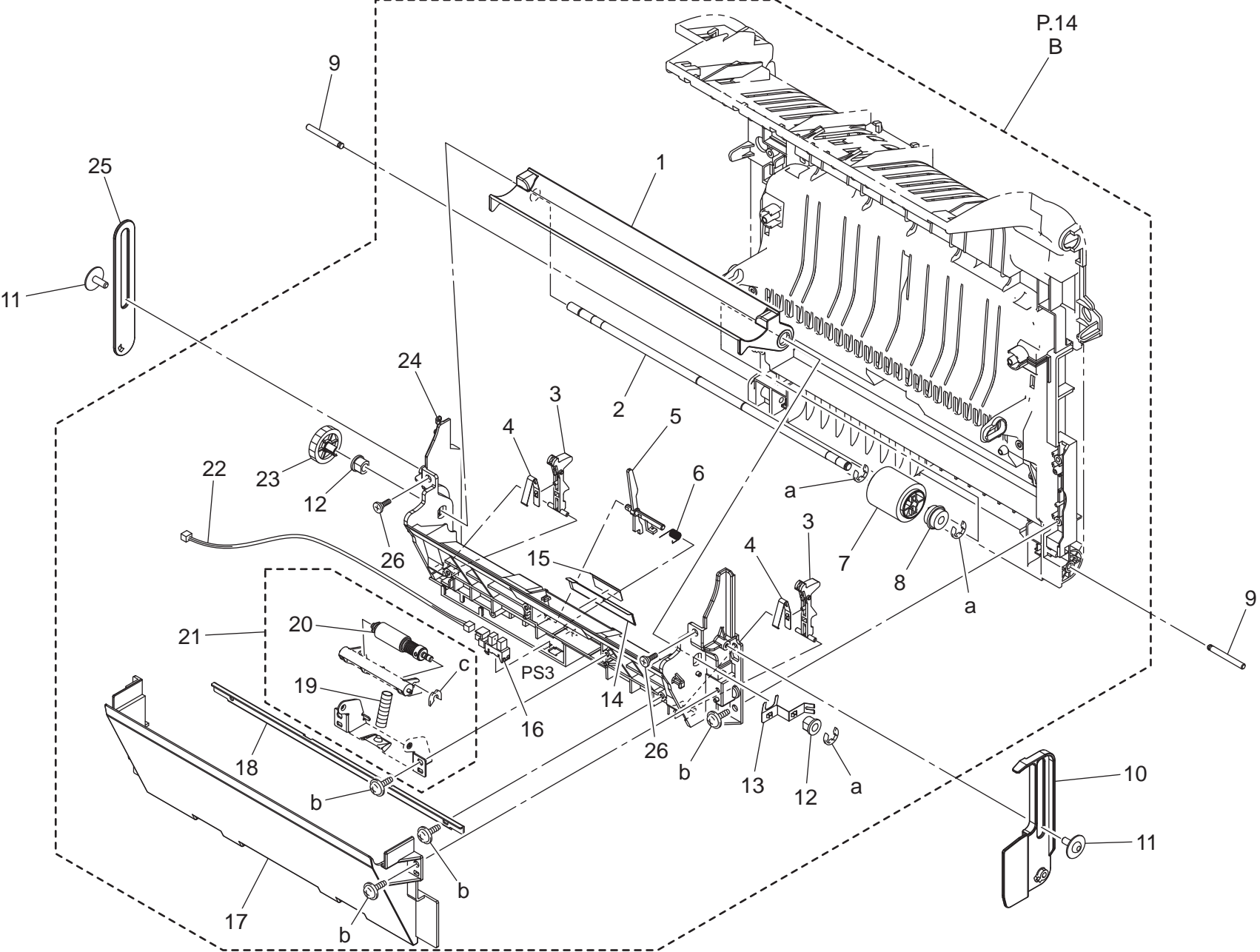
VERTICAL CONVEYANCE SECTION



VERTICAL CONVEYANCE SECTION

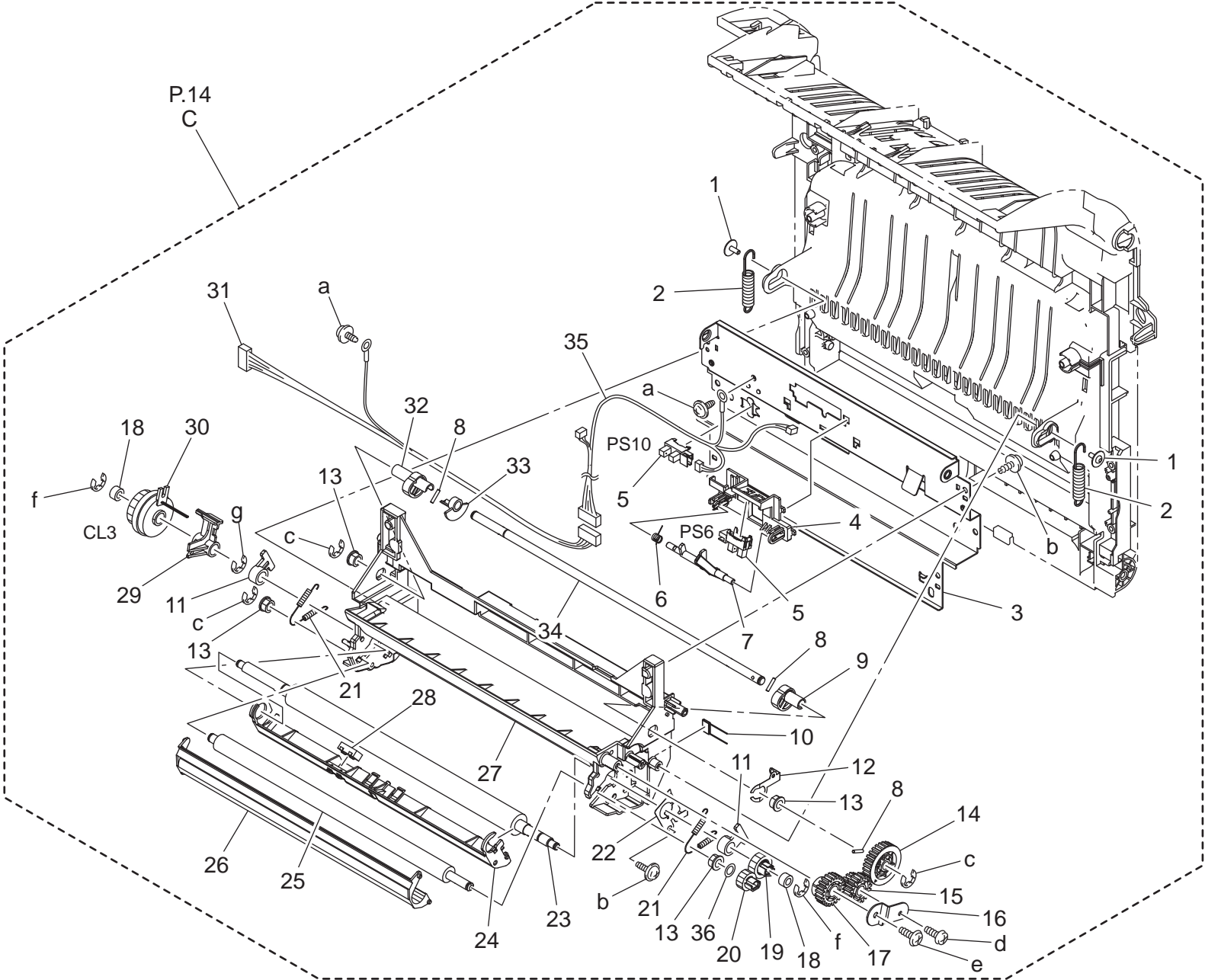
Key	Part No.	Description	Destinations	Class	QTY	Standard parts
6	A00F560300	TRAY MC4650		C	1	
9	A00F560201	TRAY MC4650		C	1	
25	9J06M10000	FAN MOTOR (F4) MC4650		C	1	
30	A0FDR70100	Vertical Transport Assy		S	1	

VERTICAL CONVEYANCE SECTION



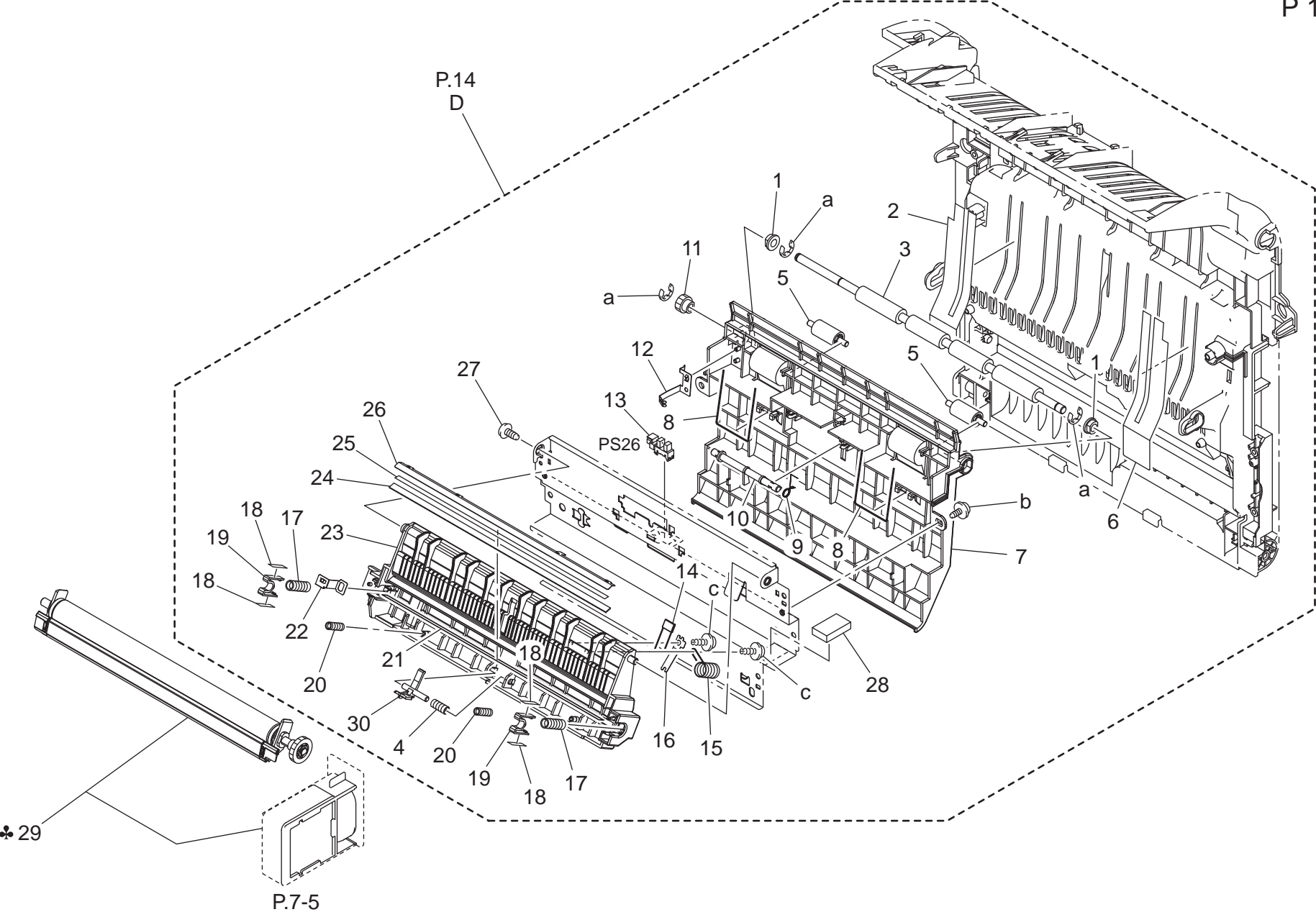


VERTICAL CONVEYANCE SECTION





VERTICAL CONVEYANCE SECTION

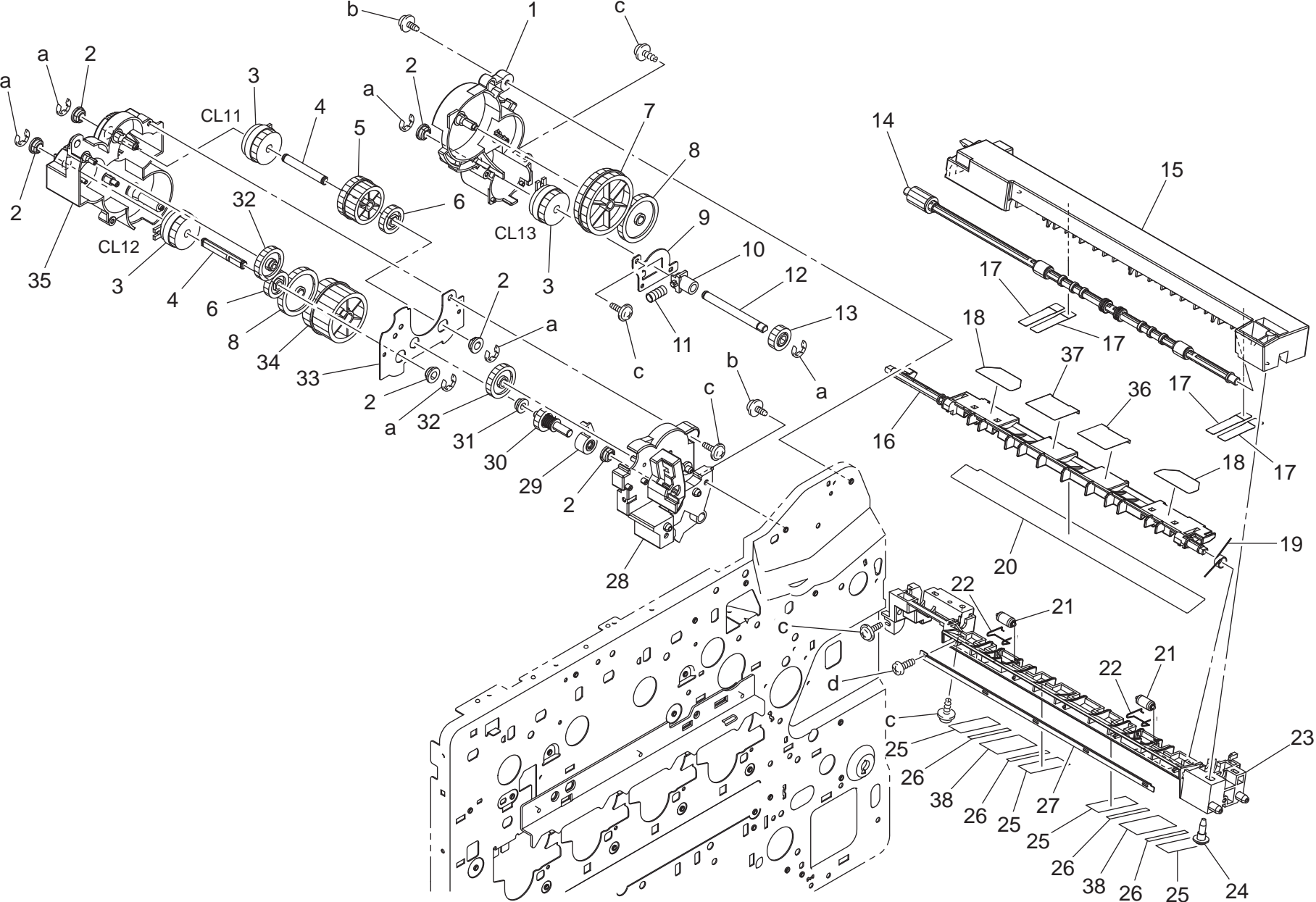




VERTICAL CONVEYANCE SECTION

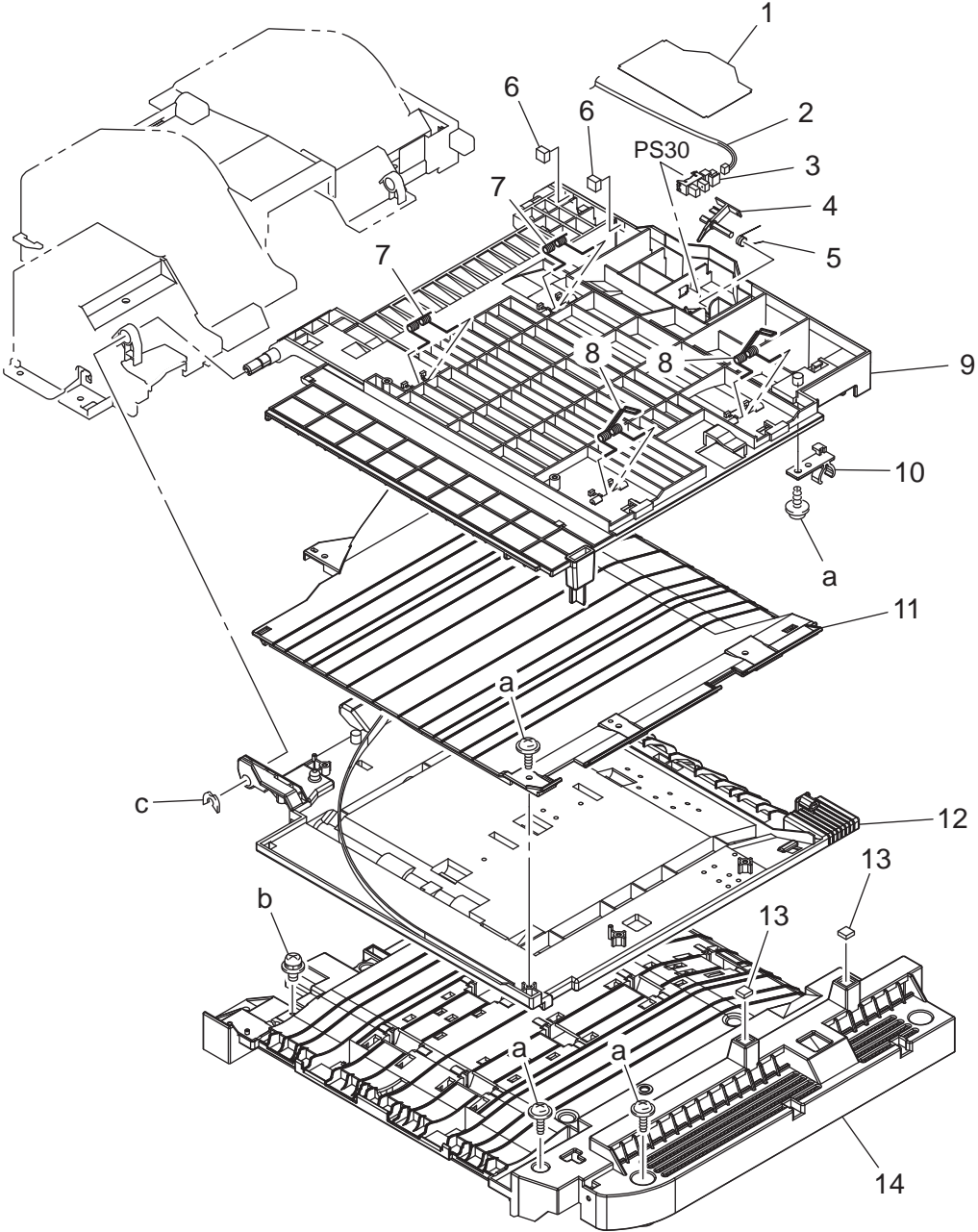
Key	Part No.	Description	Destinations	Class	QTY	Standard parts
29	A06X0Y4	CONS MC 4650 TRANSFER ROLLER	B,H	A	1	

SWITCH BACK SECTION



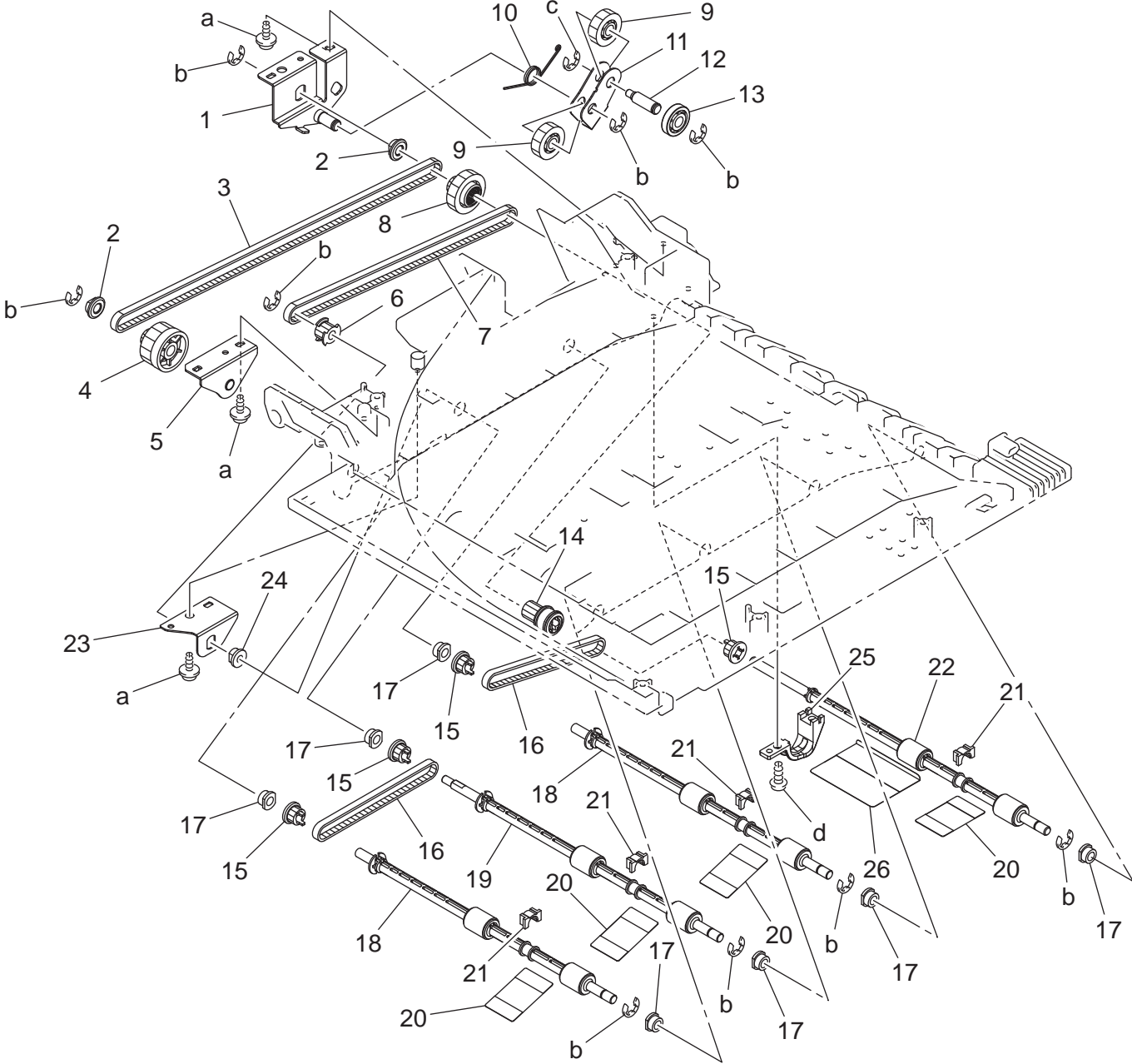


HORIZONTAL TRANSPORT UNIT





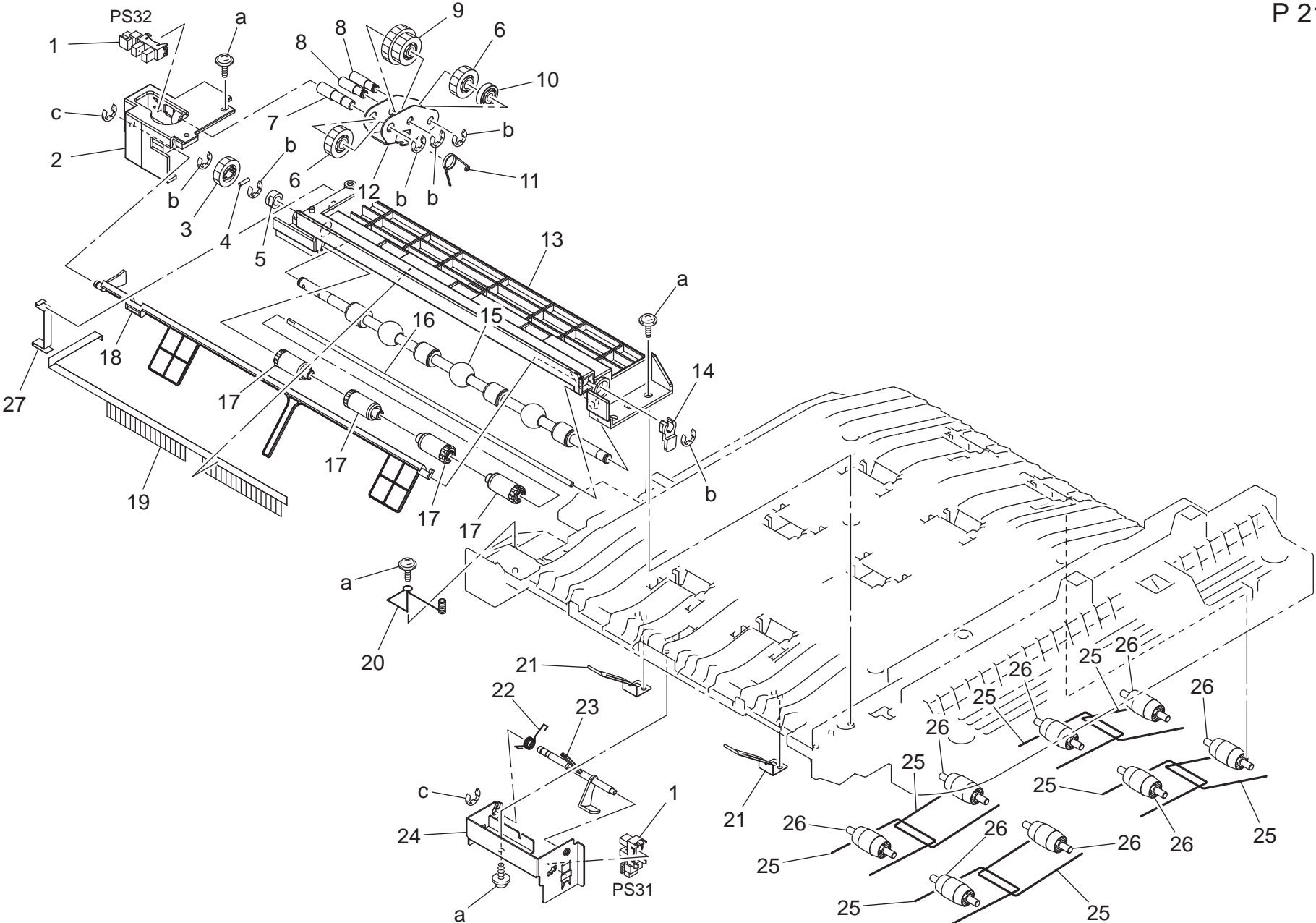
HORIZONTAL TRANSPORT UNIT



HORIZONTAL TRANSPORT UNIT

Key	Part No.	Description	Destinations	Class	QTY	Standard parts

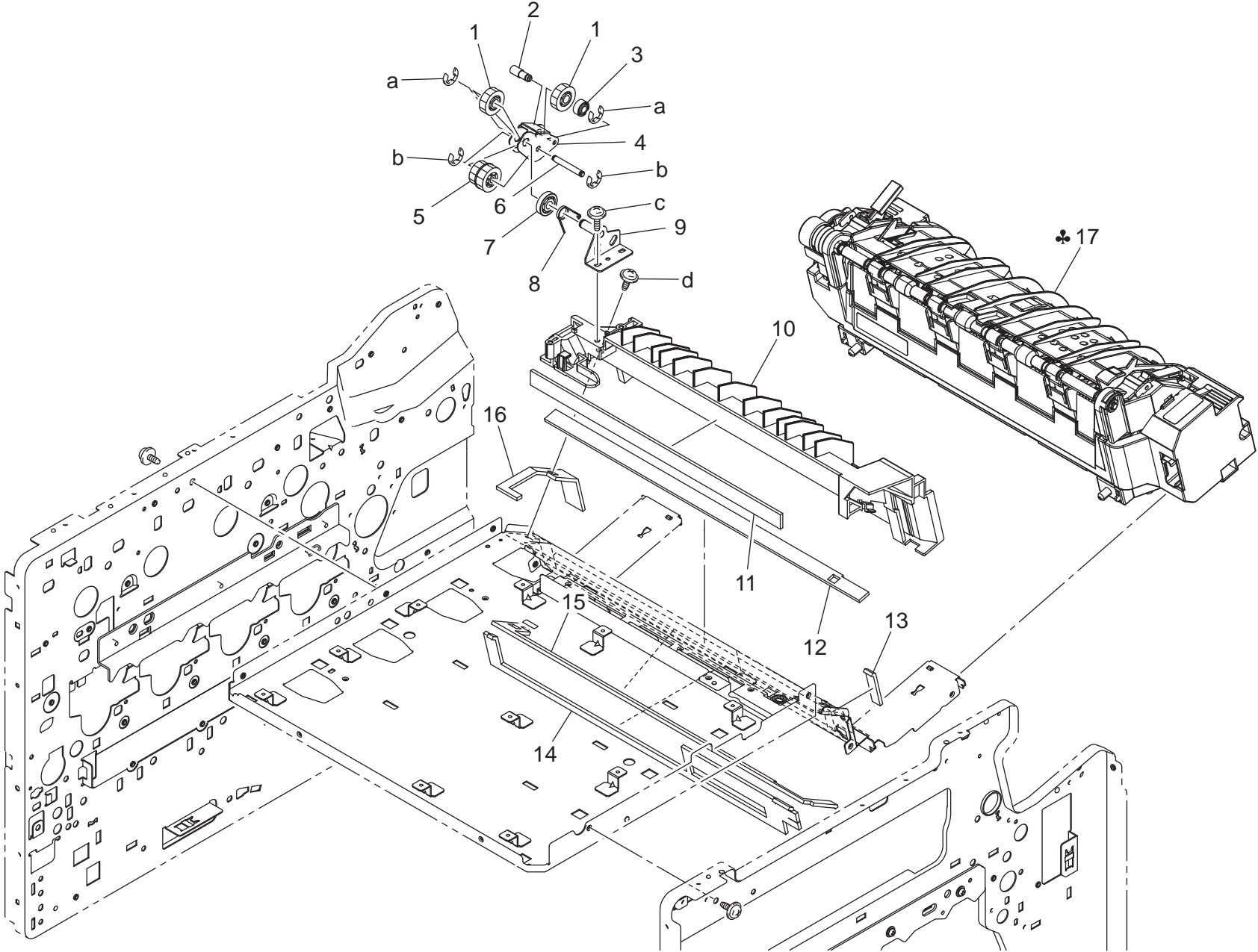
# HORIZONTAL TRANSPORT UNIT





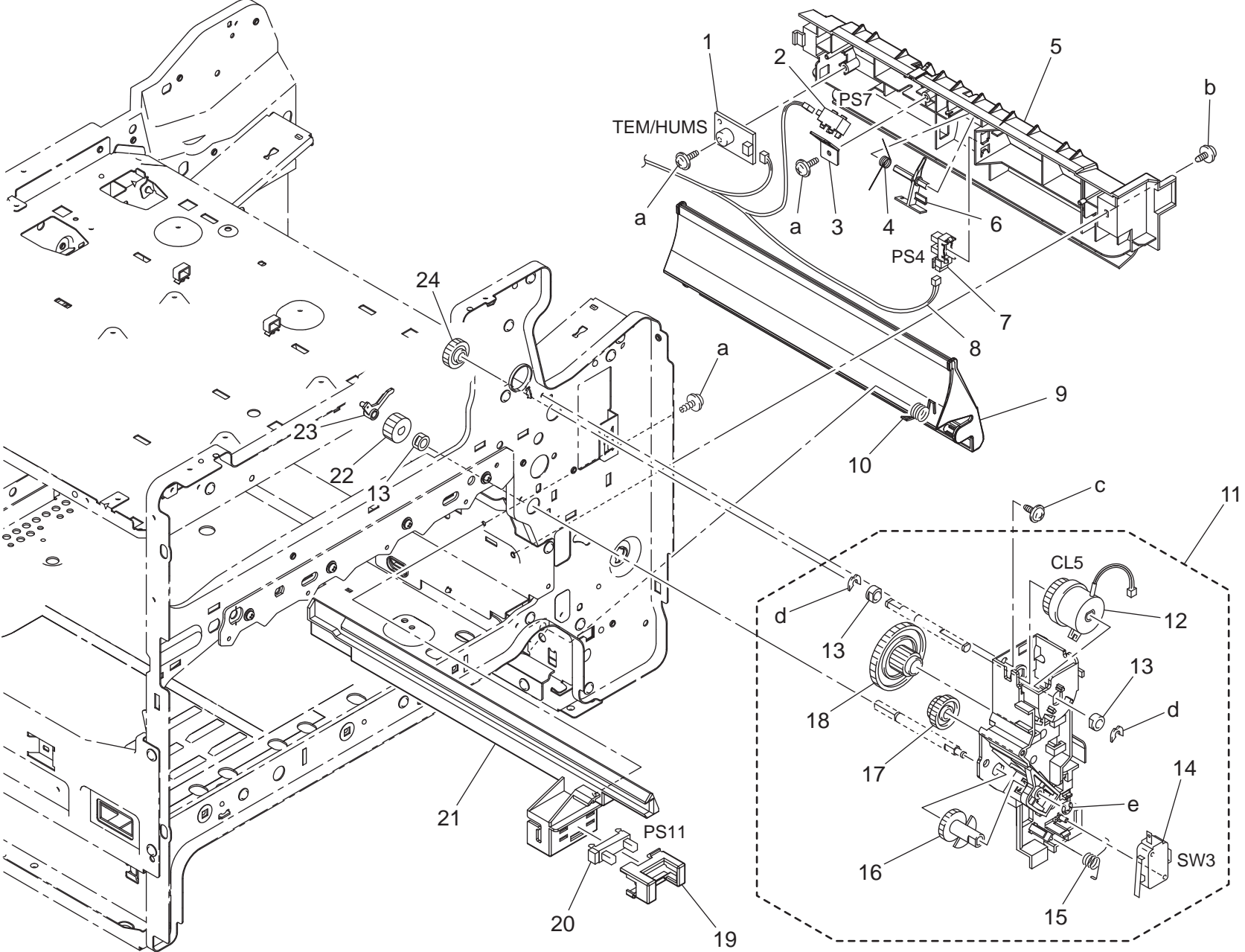


FUSING SECTION





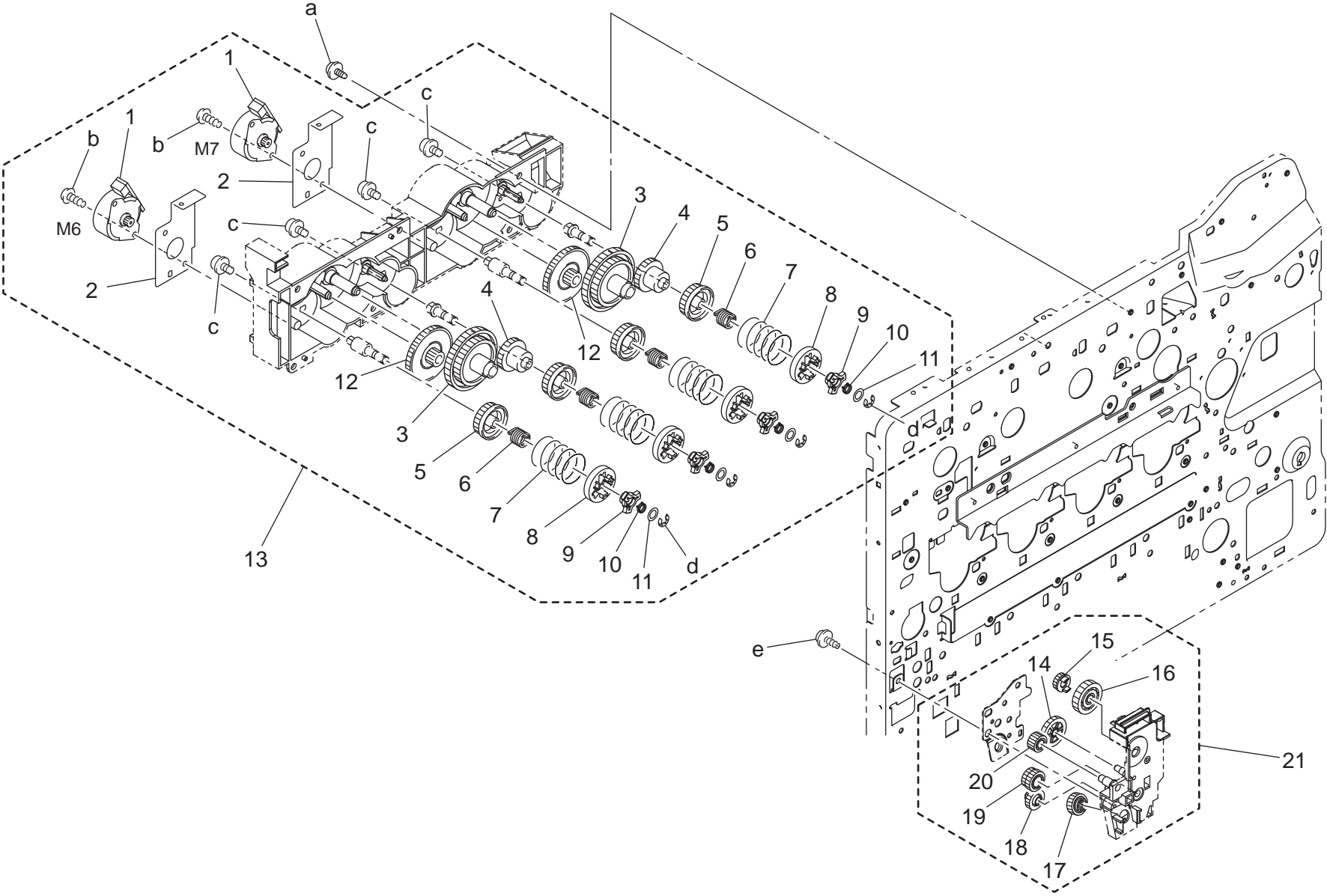
TRANSFER PRESSURE DRIVE SECTION



# TRANSFER PRESSURE DRIVE SECTION

Key	Part No.	Description	Destinations	Class	QTY	Standard parts
1	9372530011	HUMIDITY CONVERSION EL. 5550/5570.		B	1	
2	9335110031	PHOTO INTERR. MC23X0/MC54X0/MC55X0/4650		I	1	
11	A00FR70200	TRANSFER PRESSURE DRIVE ASSY MC4650		S	1	
20	9335140051	SOLID STATE SWITCH MC4650		B	1	

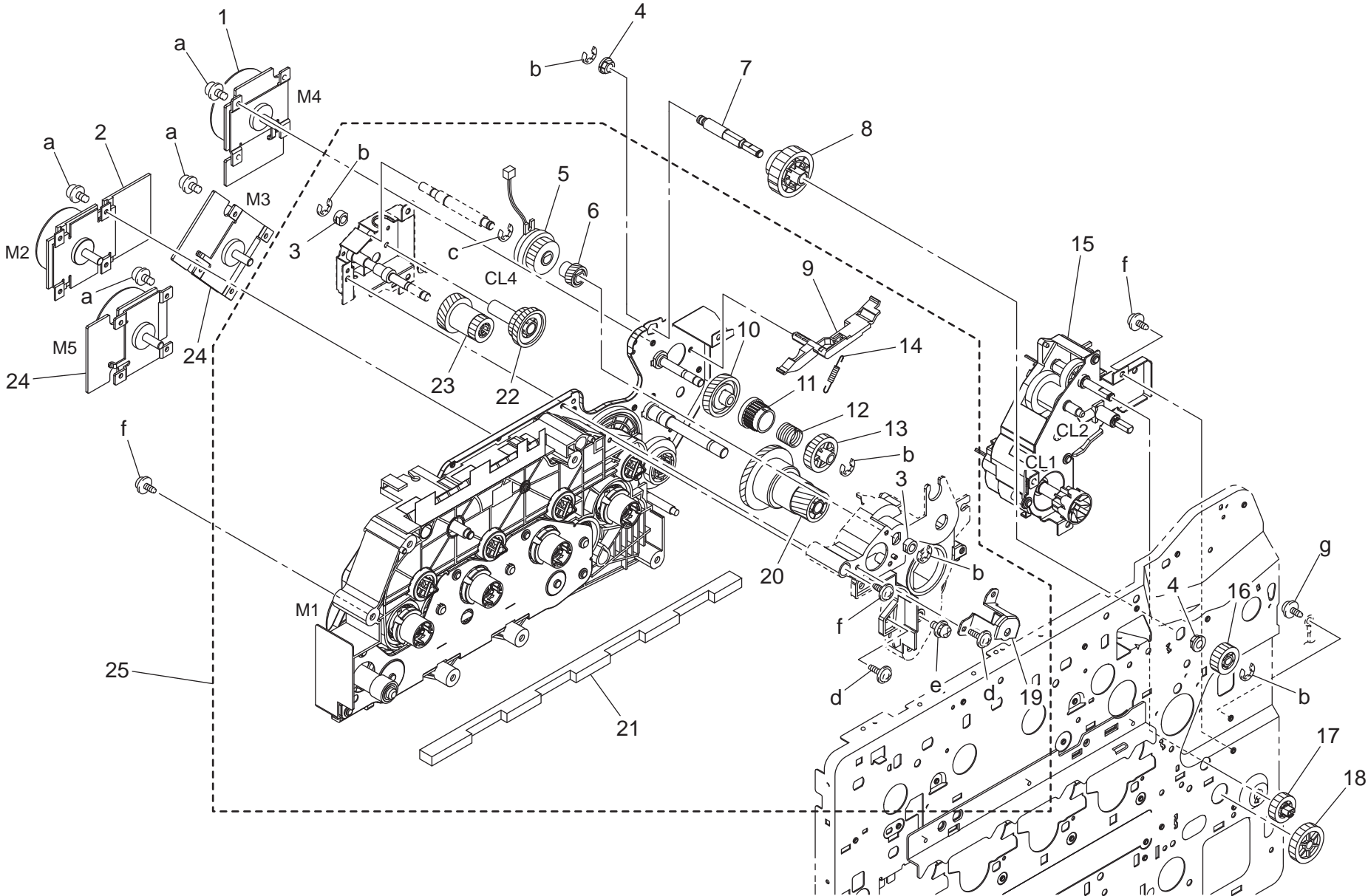
HOPPER DRIVE SECTION



HOPPER DRIVE SECTION

Key	Part No.	Description	Destinations	Class	QTY	Standard parts
1	9314130041	MOTOR (M6/7) MC54X0/5550/5570/4650		B	2	
13	A011R70400	HOPPER DRIVE ASSY MC55X0		S	1	

MAIN DRIVE SECTION

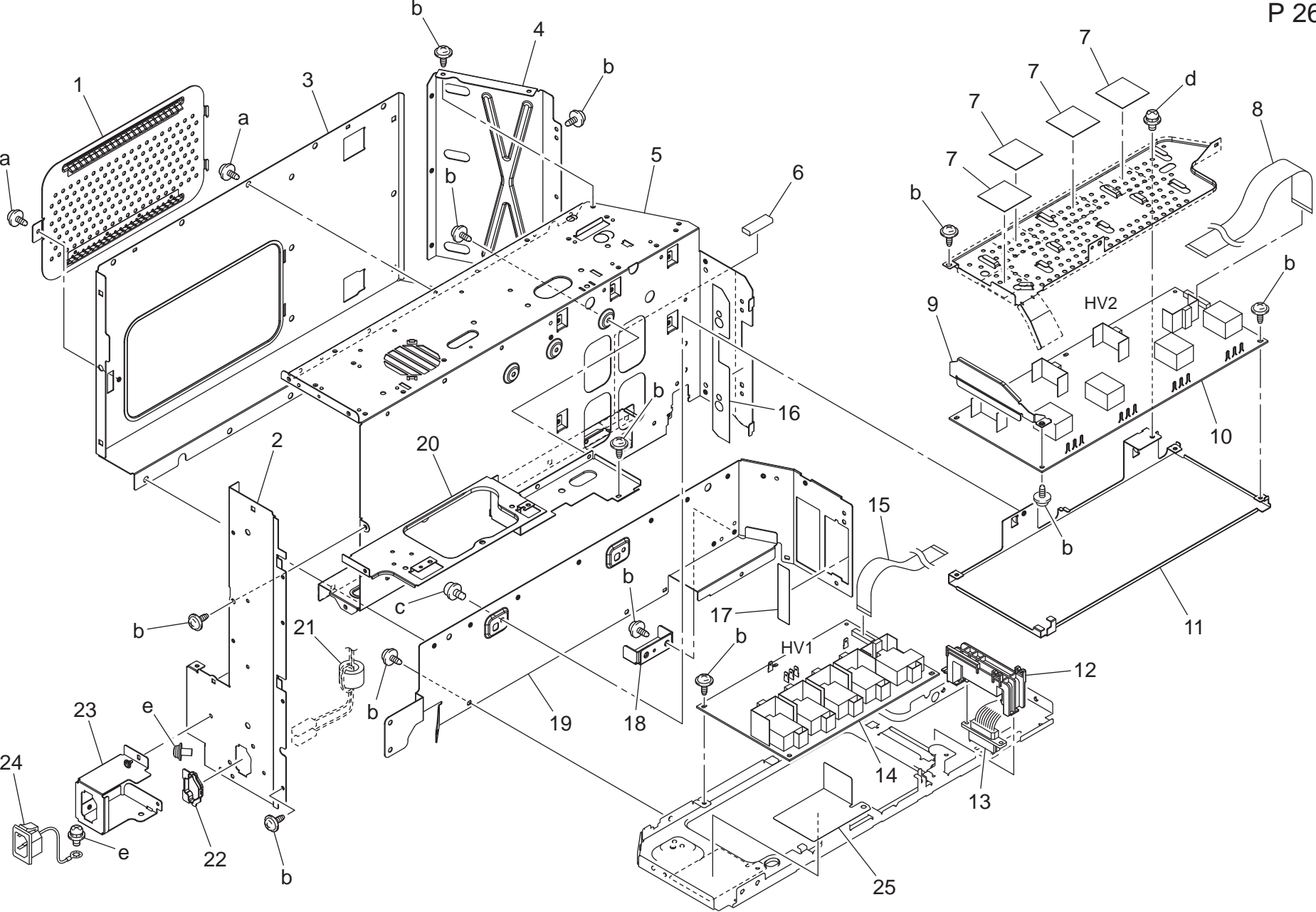




MAIN DRIVE SECTION

Key	Part No.	Description	Destinations	Class	QTY	Standard parts
2	A011M10000	BRUSHLESS MOTOR M2 MC5550/5570/4650		B	1	
15	A00FR70100	PAPER TAKE UP DRIVE ASSY MC4650		C	1	
24	A02EM10000	BRUSHLESS MOTOR M3/M4/M5 MC4650		C	2	
25	A00FR70000	MAIN DRIVE ASSY MC4650		C	1	

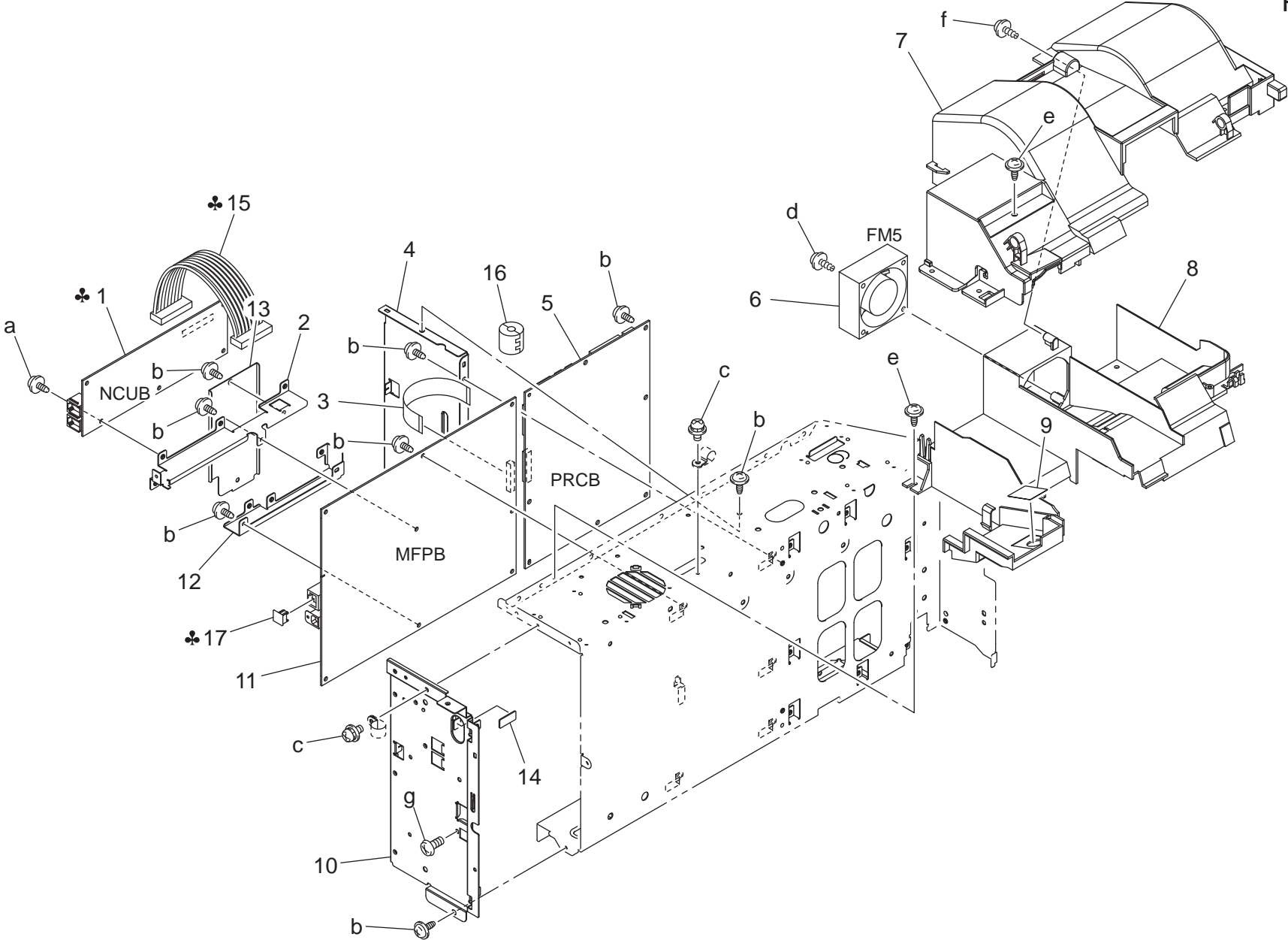
ELECTRICAL COMPONENTS



# ELECTRICAL COMPONENTS

Key	Part No.	Description	Destinations	Class	QTY	Standard parts
10	A011M40212	HV TRANSF. MC55X0 (HV1), MC4650 (HV2)		I	1	
14	A011M40301	HV TRANSF. MC55X0 (HV2), MC4650 (HV1)		I	1	

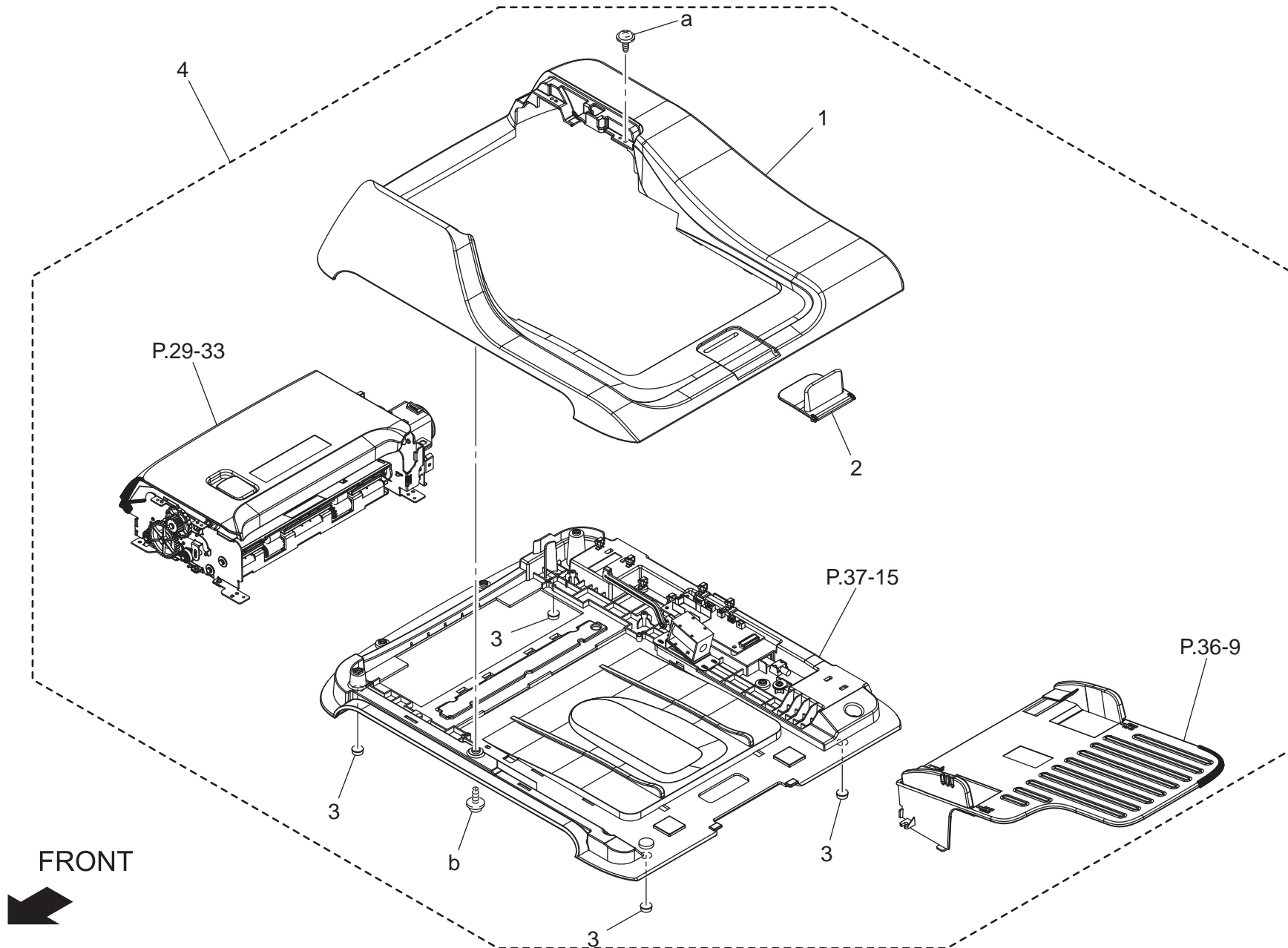
ELECTRICAL COMPONENTS



# ELECTRICAL COMPONENTS

Key	Part No.	Description	Destinations	Class	QTY	Standard parts	
1	A0FDM70203	PWB Assembly (NCUB)	B,C,D1,D3,H,K	I	1		
5	A0FDH00105	PWB Assembly (PWB-A ASSY)		I	1		
6	4556M10000	FAN MOTOR		B	1		
11	A0FDR70300	Controller		I	1		

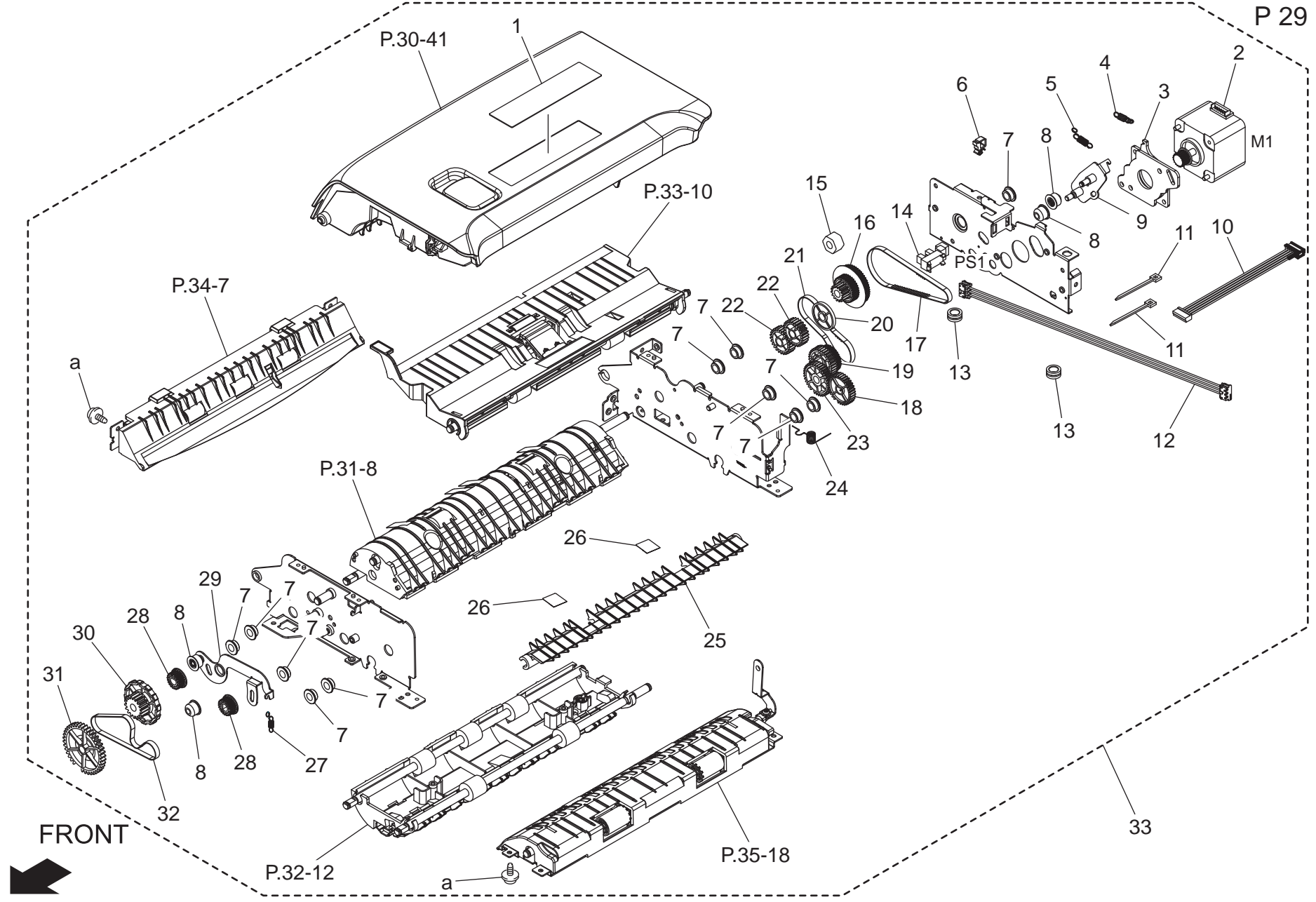
ADF UNIT





# ADF TRANSPORT SECTION

P 29

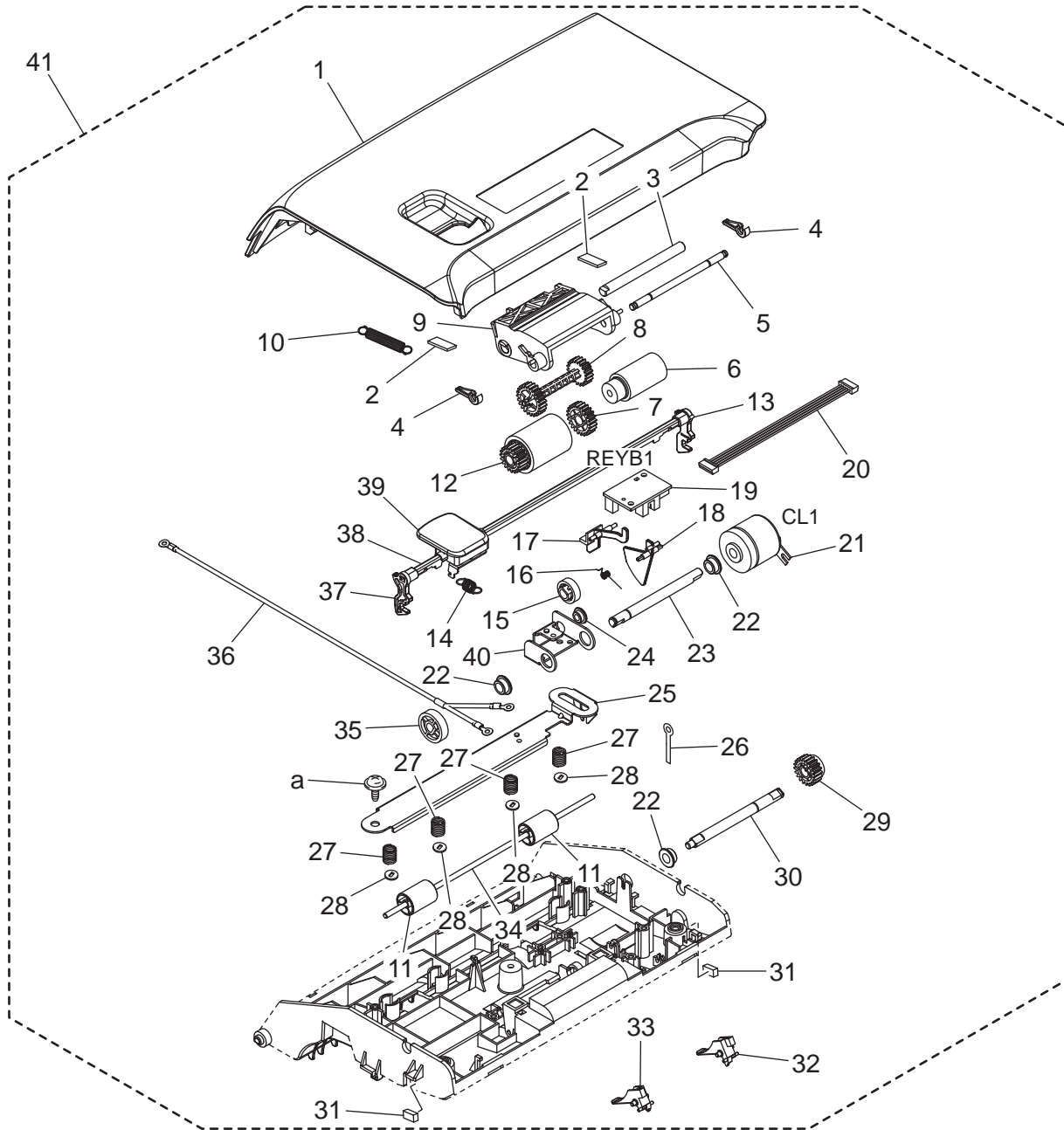






# ADF TRANSPORT SECTION

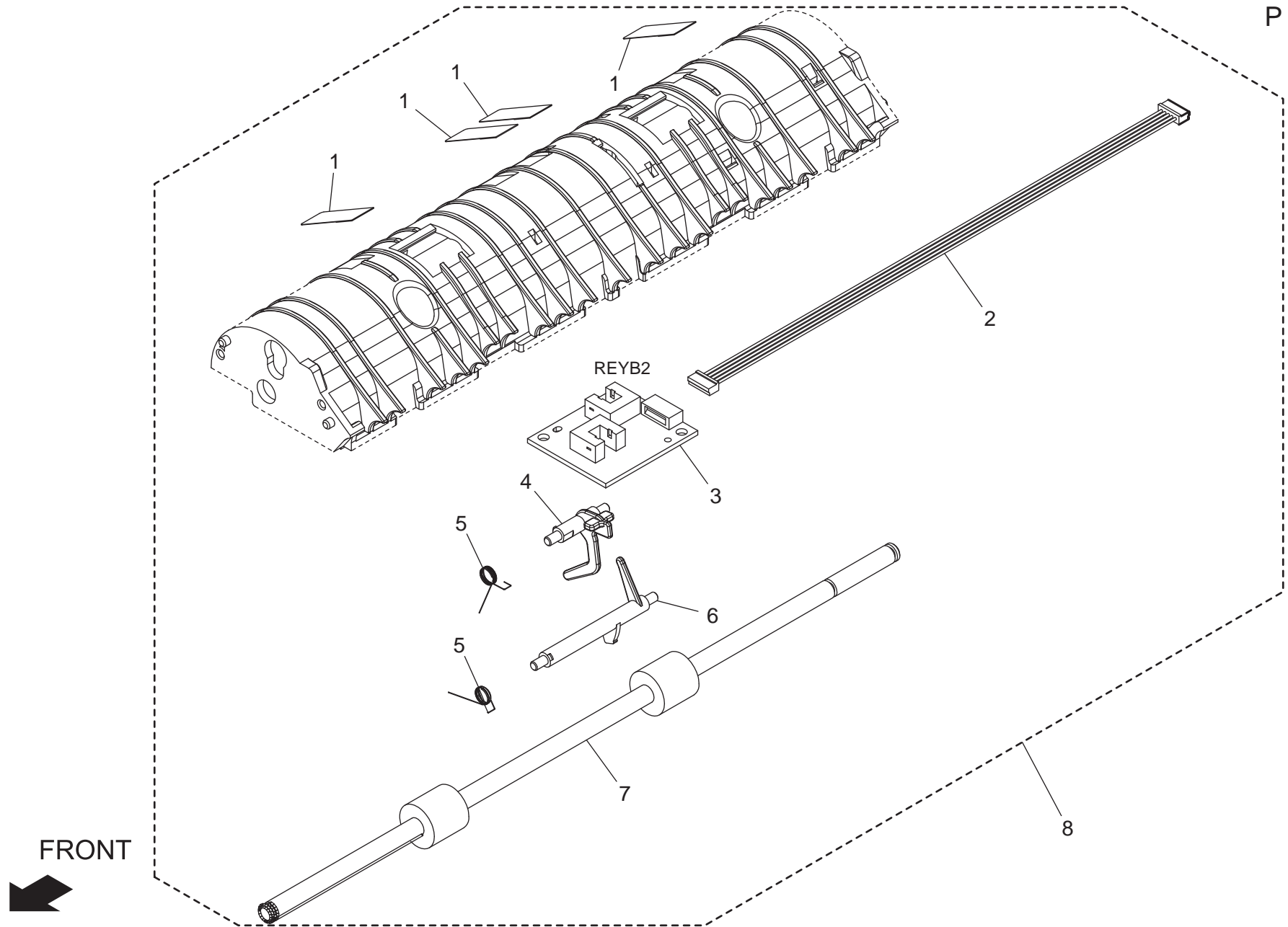
FRONT  
←





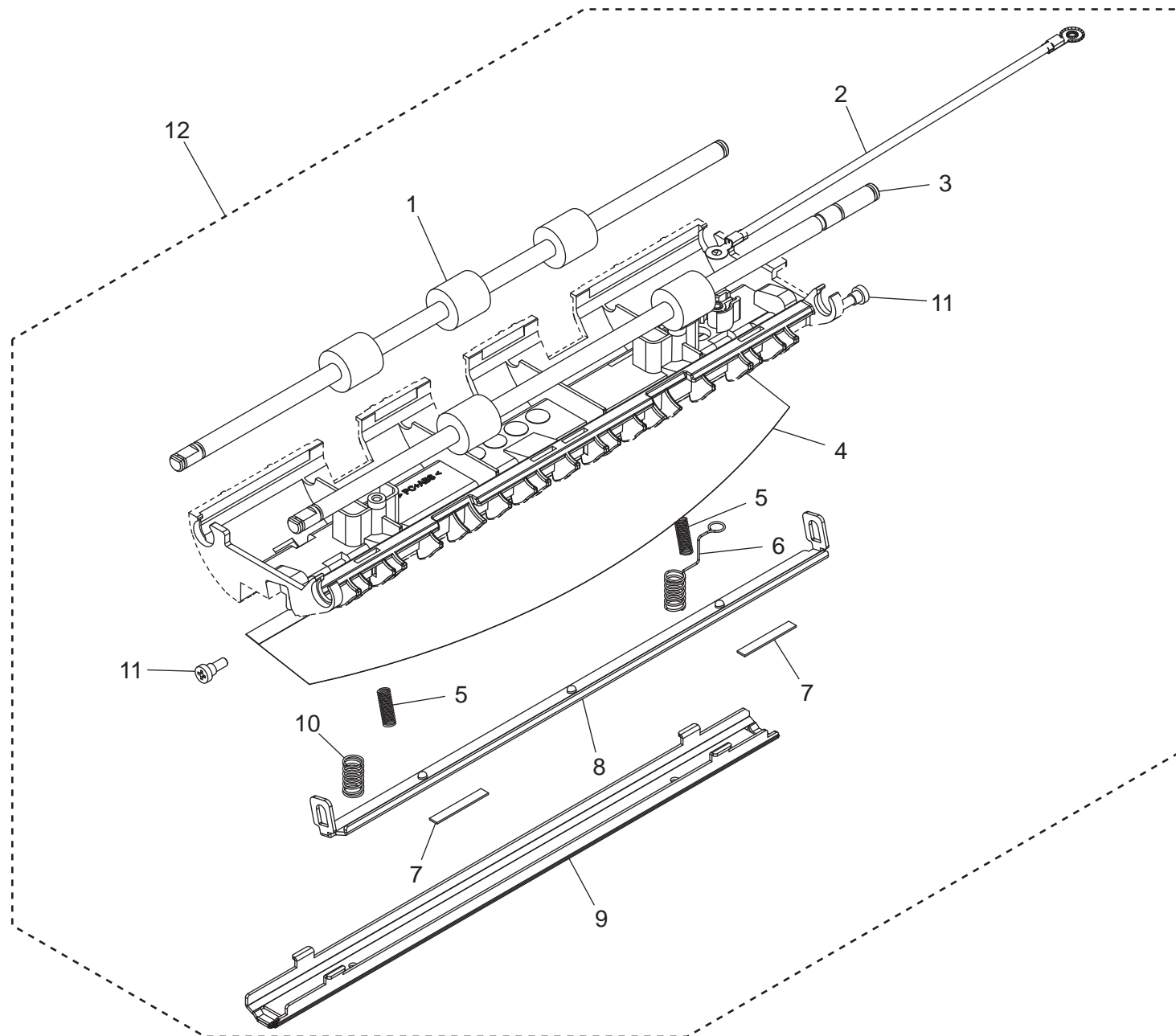
# ADF TRANSPORT SECTION

P 31





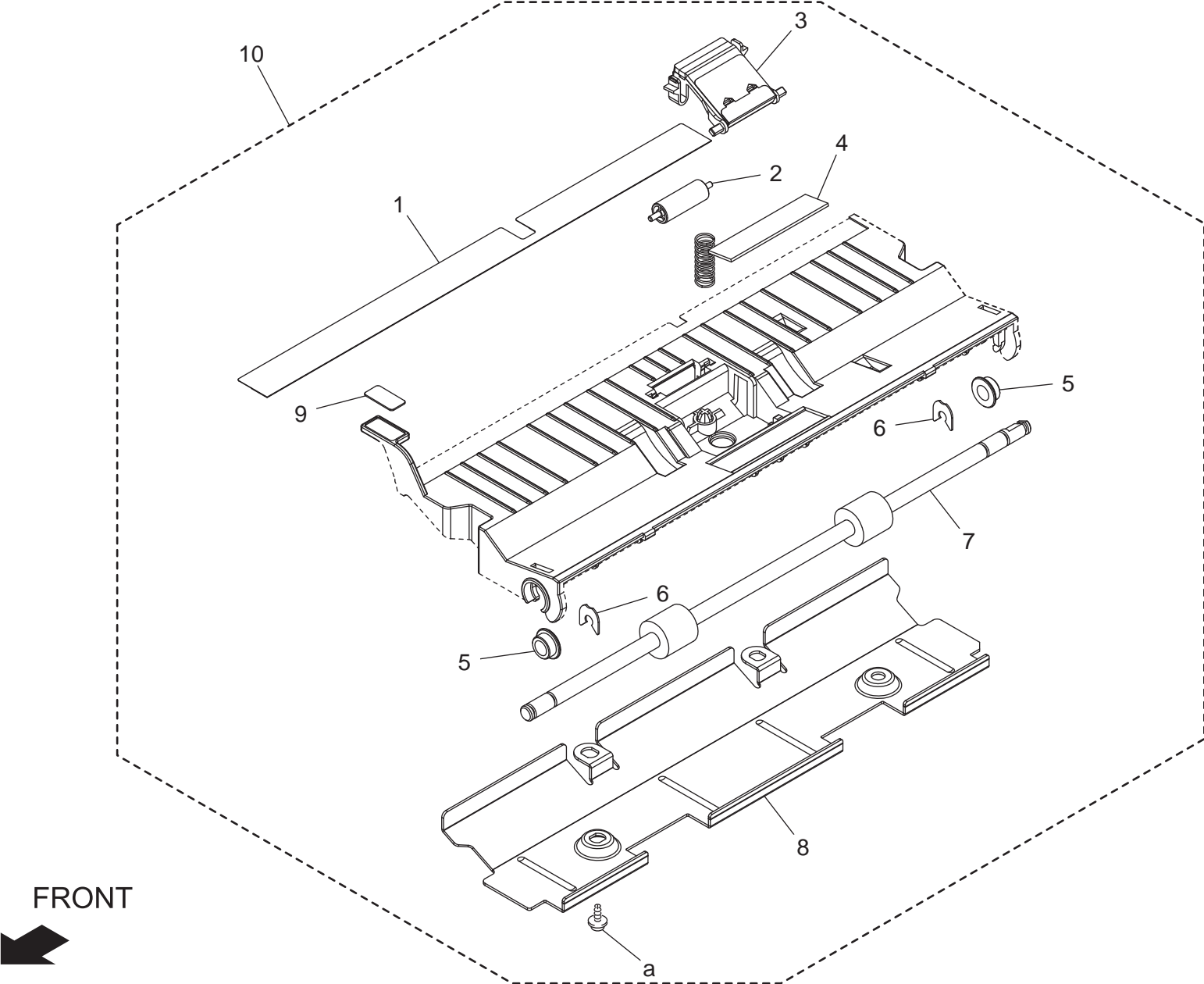
# ADF TRANSPORT SECTION



FRONT  
←



ADF TRANSPORT SECTION



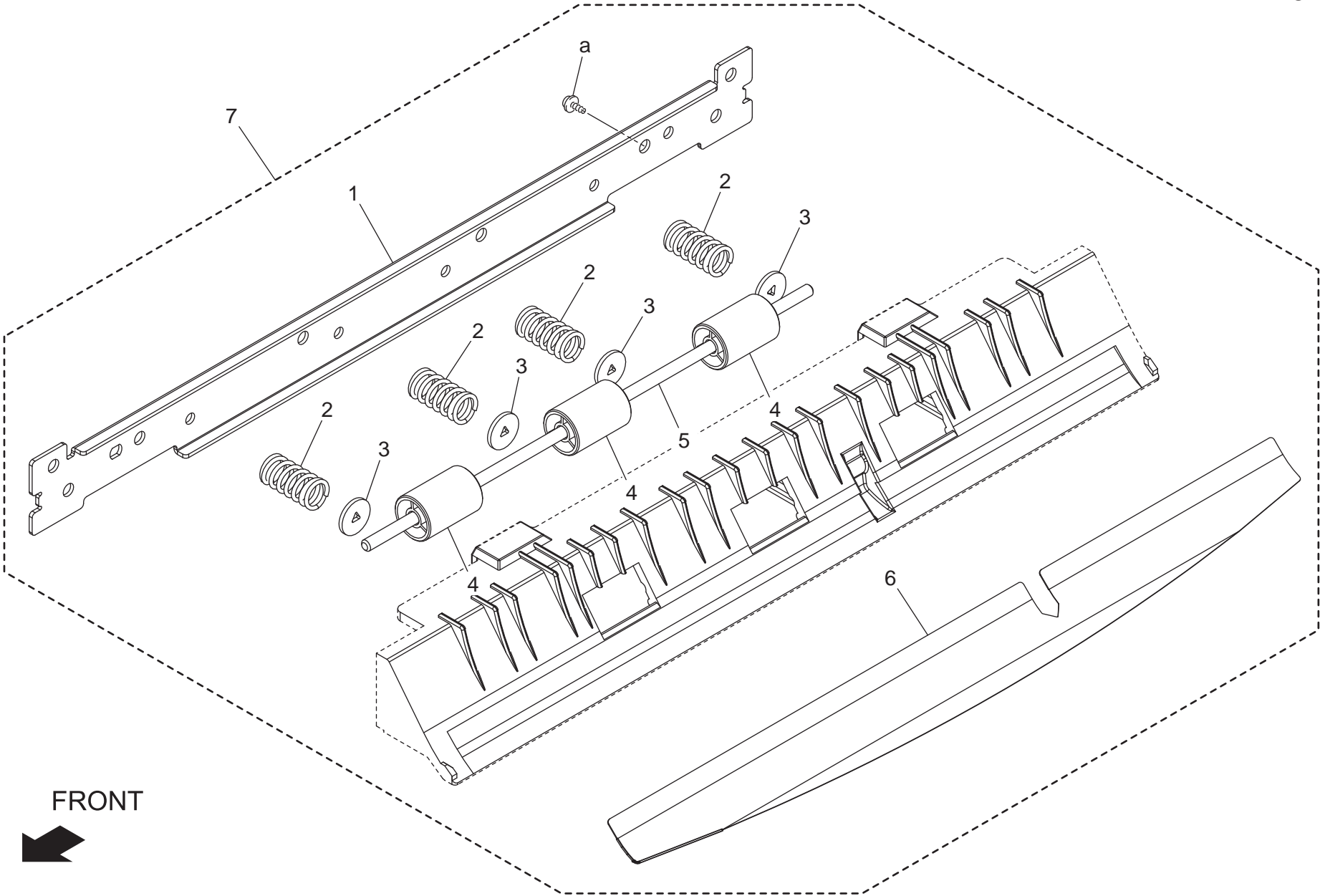
FRONT







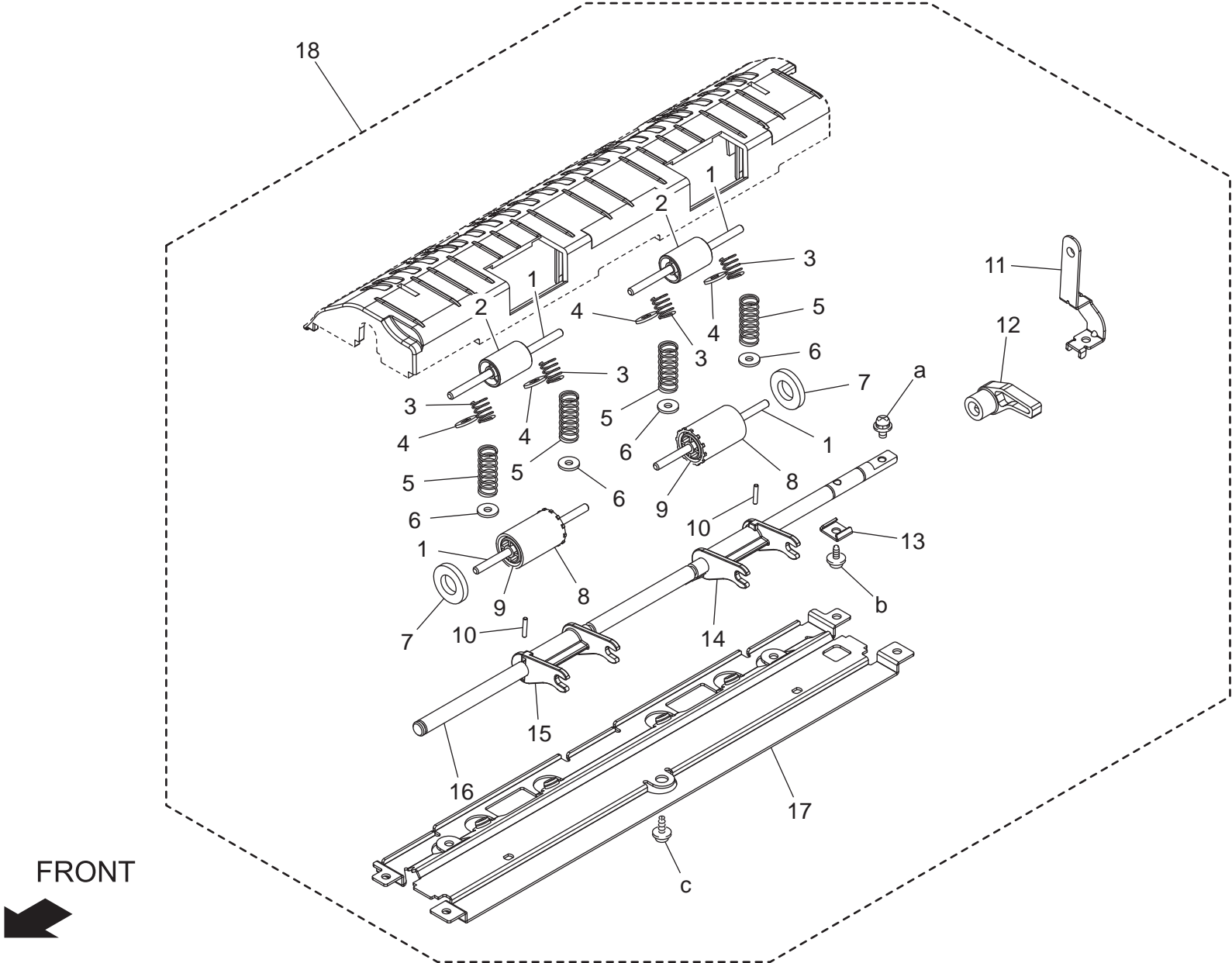
ADF TRANSPORT SECTION



FRONT  
←

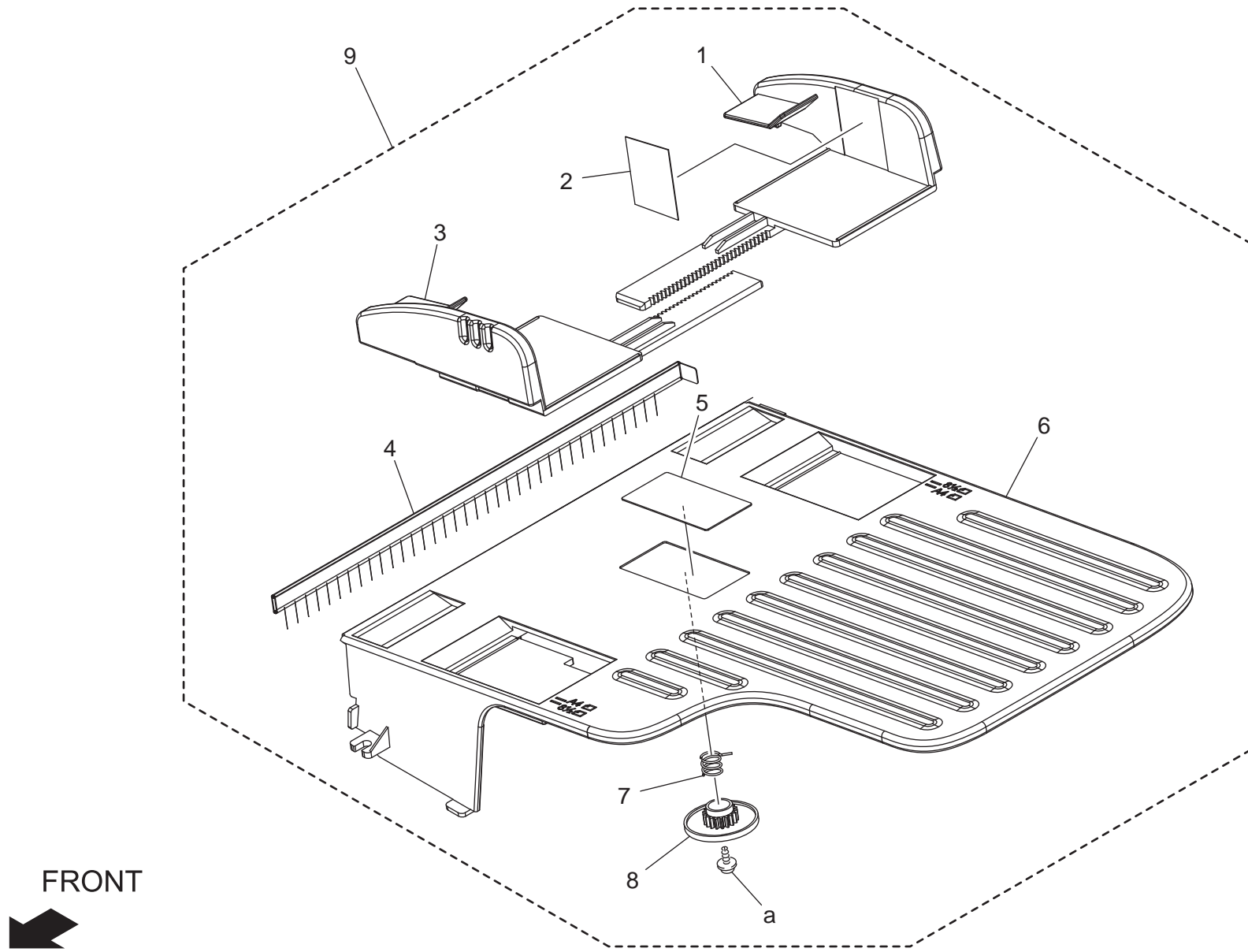


ADF TRANSPORT SECTION



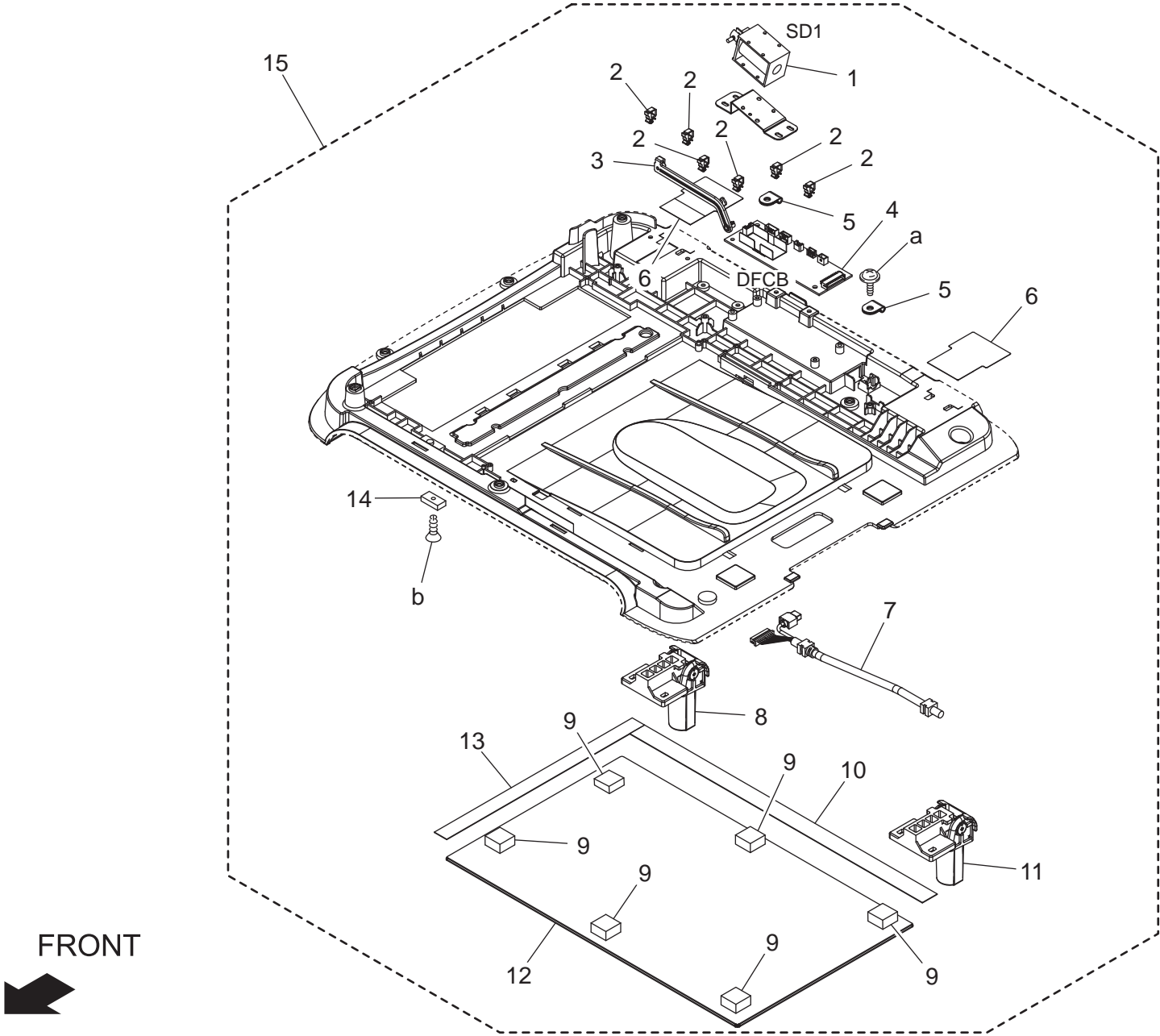


# ADF TRAY SECTION





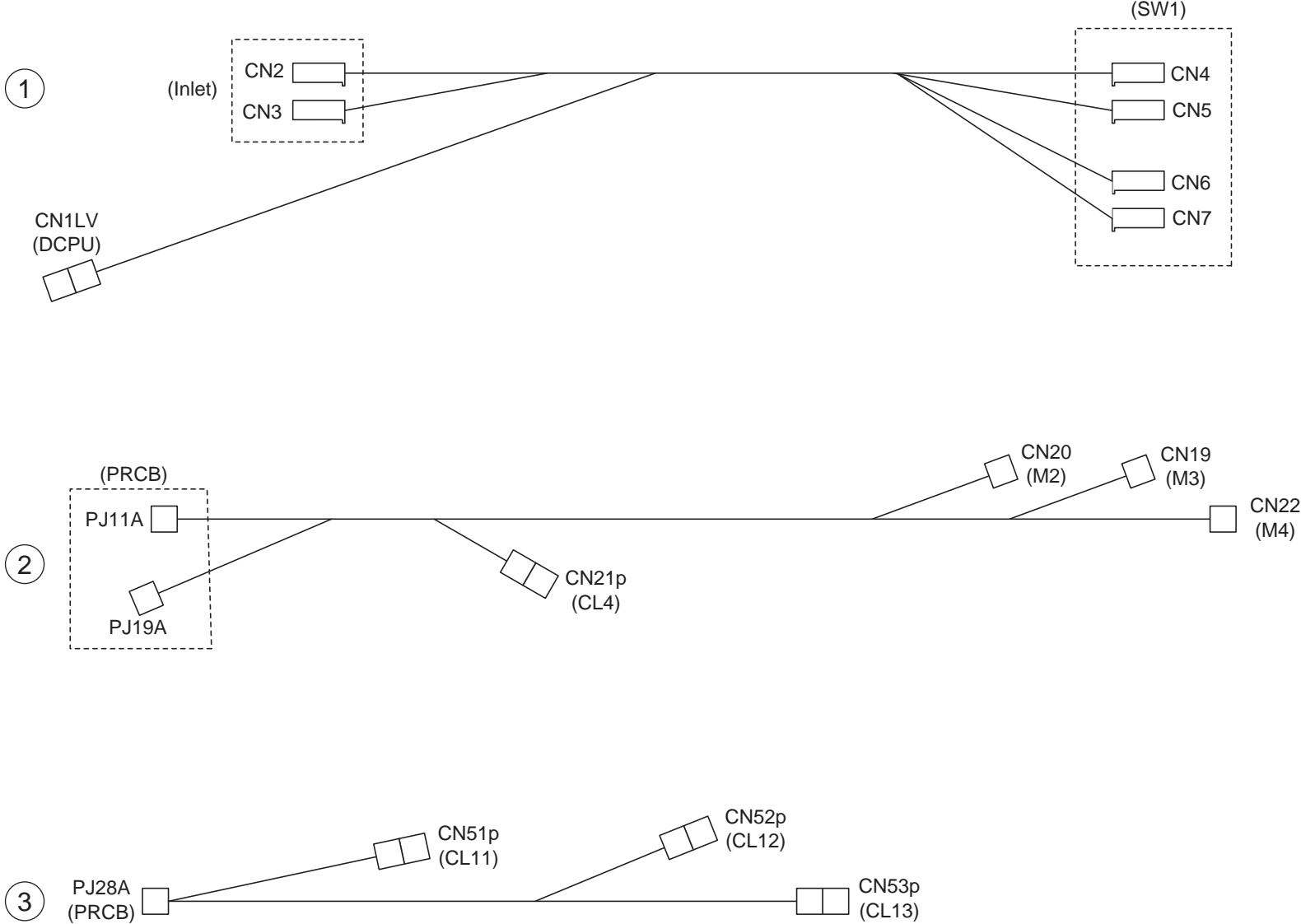
ADF FRAME SECTION





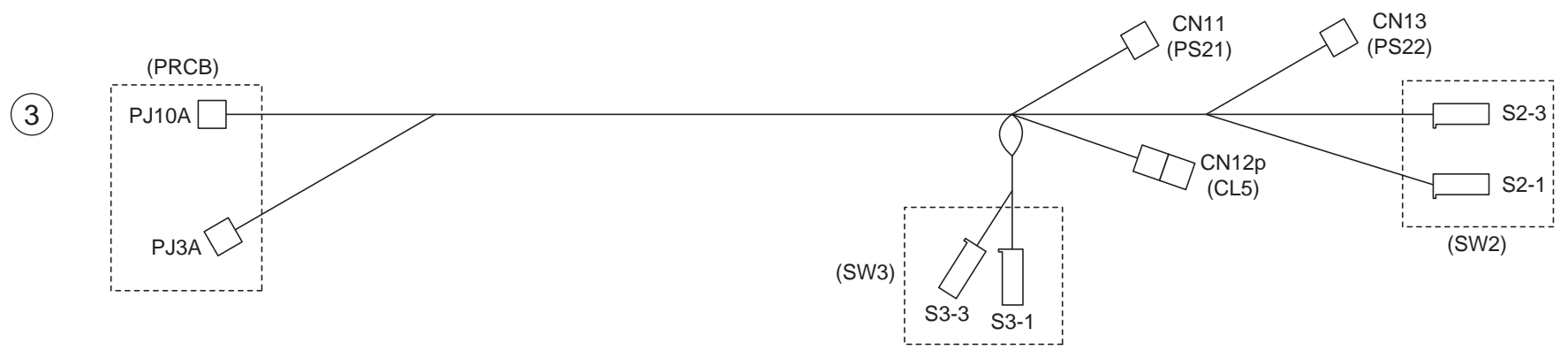
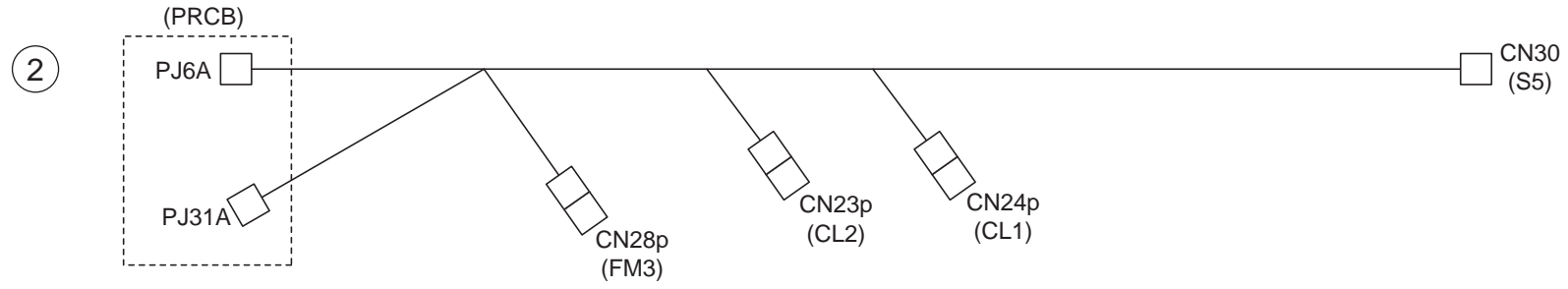
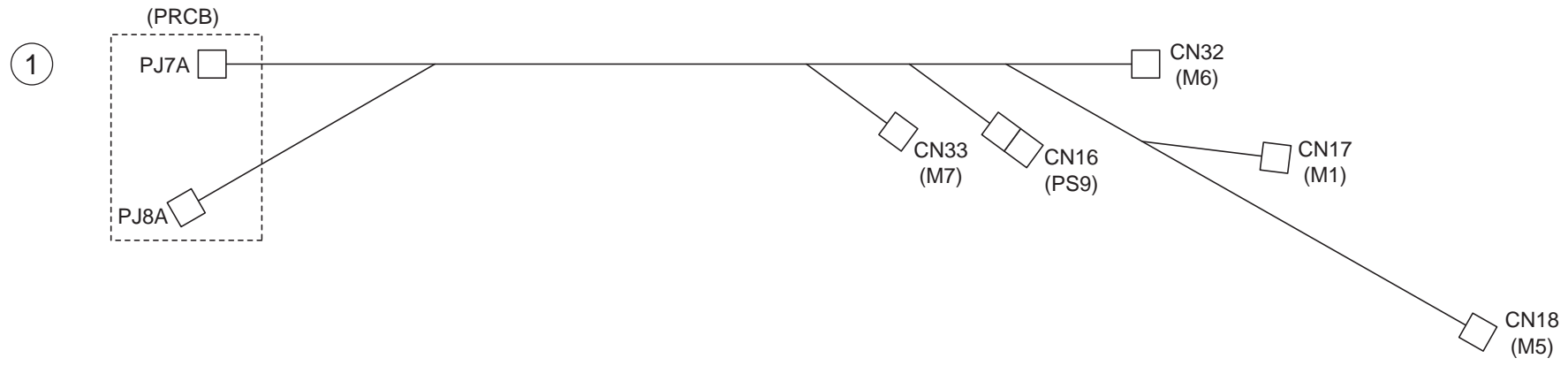


WIRING



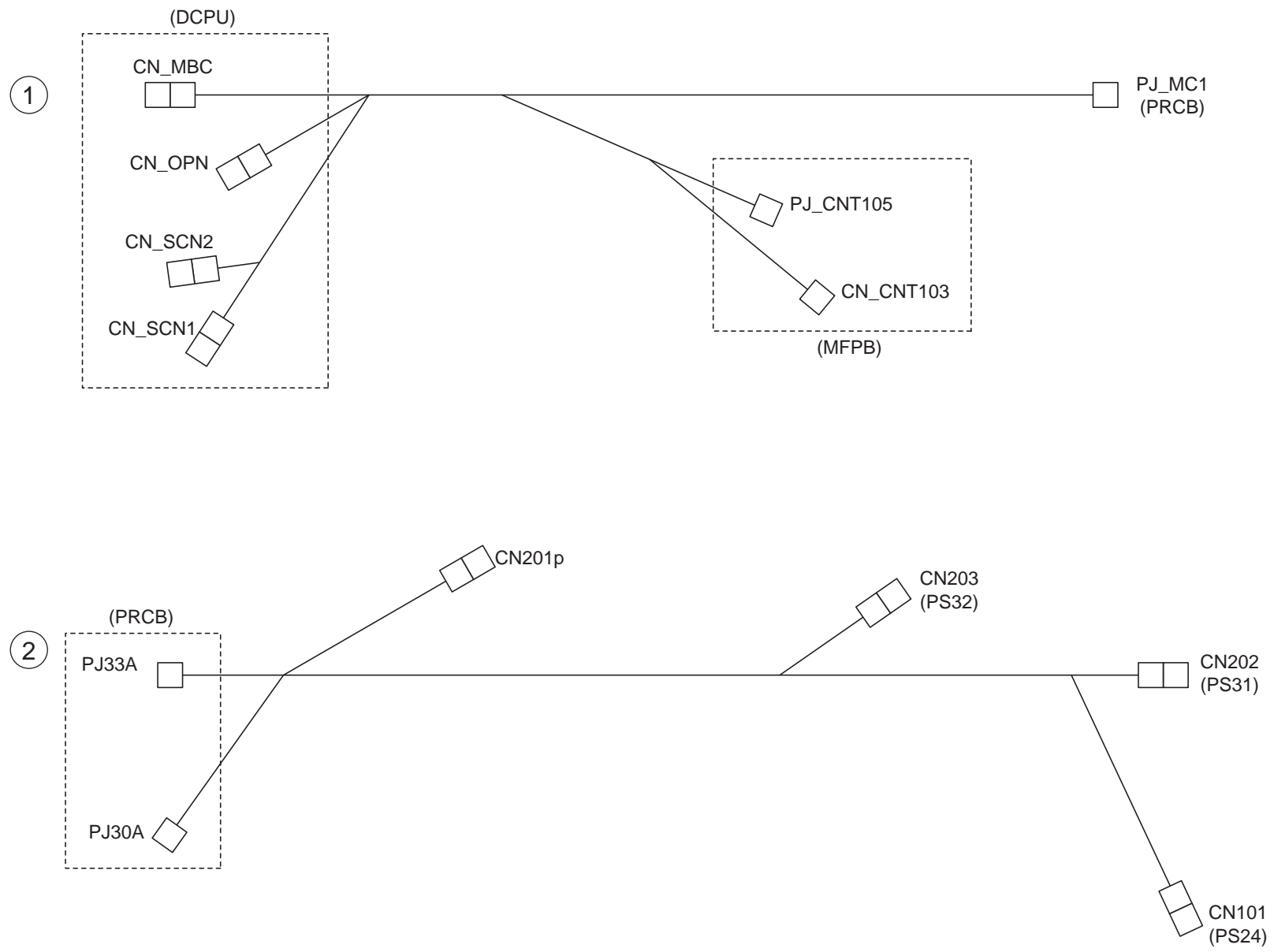


# WIRING





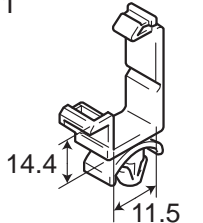
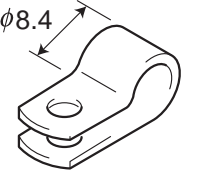
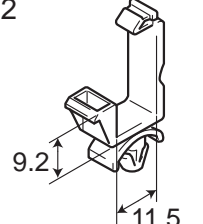
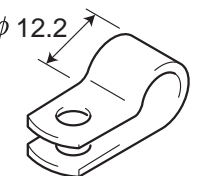
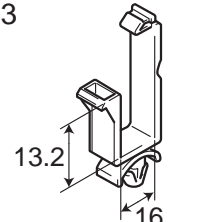
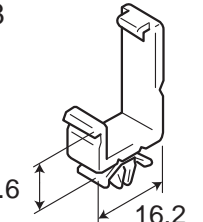
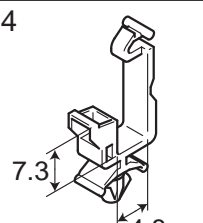
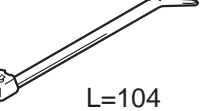
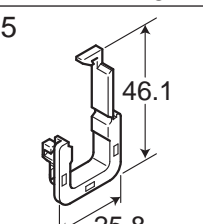
# WIRING





# WIRING ACCESSORIES AND JIGS

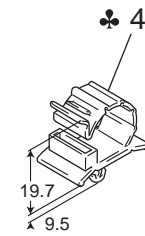
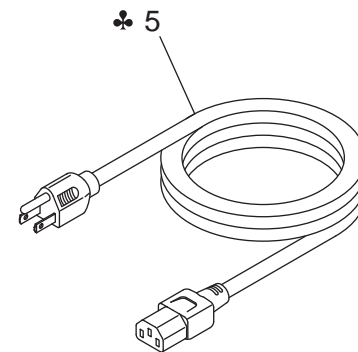
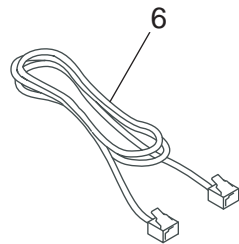
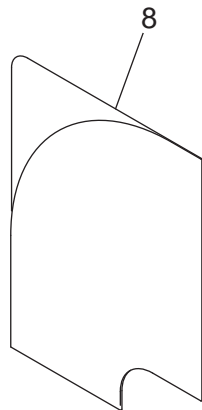
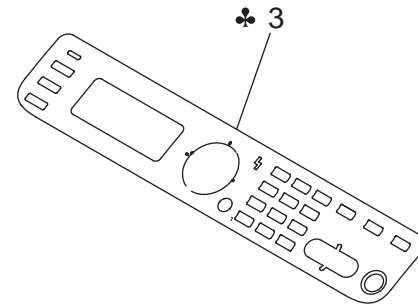
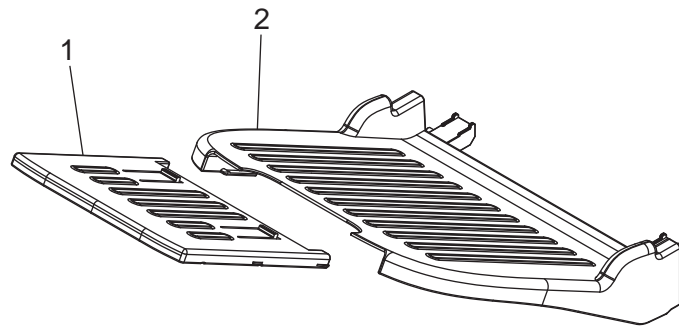
P 41

1 	6 	11	16	21	26	31	36
2 	7 	12	17	22	27	32	37
3 	8 	13	18	23	28	33	38
4 	9 	14	19	24	29	34	39
5 	10	15	20	25	30	35	40





# ACCESSORY PARTS



ACCESSORY PARTS

Key	Part No.	Description	Destinations	Class	QTY	Standard parts
1	A0FD896101	Tray		C	1	
2	A0FD895401	Tray		C	1	

# MAINTENANCE LIST

● The items with no Page/Key numbers are not handled as spare parts.

No.	Section	PM Parts Description	Maintenance Cycle (K=1,000)		Parts No.	Destinations	Page/Key	Note
			QTY	Replace				
1	Processing section	Standard-capacity toner cartridge (Y,M,C,K) *1	1	4k	-			Continuous printing
2		High-capacity toner cartridge (Y,M,C,K)	1	8k	-			Continuous printing
3		Imaging unit (Y,M,C,K)	1	30k	-			Continuous printing
4		Ozone filter *3	1	120k	-			
5	Tray 2 media feed section	Feed roller	1	300k	4138303202		P12-8	
6	Tray 1 media feed section	Feed roller	1	300k	4138303202		P15-7	
7	Image transfer section	Transfer belt unit	1	120k	A06X0Y1	A,A1,C,D1,D3,J,K	P10-28	Continuous printing/ 2P/J *2
8		Transfer belt unit	1	120k	A06X011	B,H	P10-28	Continuous printing/ 2P/J *2
9		Transfer roller *3	1	120k	A06X0Y4	A,A1,C,D1,D3,J,K	P17-29	Continuous printing/ 2P/J *2
10		Transfer roller *3	1	120k	A06X014	B,H	P17-29	Continuous printing/ 2P/J *2
11		Waste toner bottle	1	36k	A06X0Y0	A,A1,C,D1,D3,J,K	P8-11	K *4
12		Waste toner bottle	1	36k	A06X010	B,H	P8-11	K *4
13		Waste toner bottle	1	9k	A06X0Y0	A,A1,C,D1,D3,J,K	P8-11	Y,M,C,K *5
14		Waste toner bottle	1	9k	A06X010	B,H	P8-11	Y,M,C,K *5
15	Fusing section	Fusing unit	1	120k	A06X002	100V	P22-17	Continuous printing
16		Fusing unit	1	120k	A06X016	110-127V	P22-17	Continuous printing
17		Fusing unit	1	120k	A06X0Y6	220-240V	P22-17	Continuous printing
18		Fusing unit	1	100k	A06X002	100V	P22-17	2P/J *2
19		Fusing unit	1	100k	A06X016	110-127V	P22-17	2P/J *2
20	Fusing unit	1	100k	A06X0Y6	220-240V	P22-17	2P/J *2	

\*1 The life of the toner cartridge furnished with the machine at the time of shipment is 3,000 printed pages

\*2 2 pages/job

\*3 When printed in black only

\*4 When printed in color only

\*5 The transfer roller and ozone filter are available as a kit and must be replaced at the same time

**NOTE: Parts not listed with a part number are not available as spare part.**

DESTINATION

Destination No.		Destinations		V	Hz	Model No.
A	A1	JAPAN		100	50/60	A0FD-001
	A2	JAPAN				
B		USA, CANADA		120	60	A0FD-011
C		EUROPEAN TYPE		220-240	50/60	A0FD-021
D	D1	S.E ASIA TYPE	THAILAND, SRI LANKA, SINGAPORE, MALAYSIA, HONG KONG, PAKISTAN, INDIA, BANGLADESH, INDONESIA	220-240	50/60	A0FD-041
	D3	OCEANIA TYPE	AUSTRALIA, NEW ZEALAND	220-240	50/60	A0FD-051
E		PHILIPPINES				
F	F1	SAUDI ARABIA				
	F2	SAUDI ARABIA				
G	G1	C.S AMERICA				
	G2	C.S AMERICA				
H		TAIWAN		110	60	A0FD-011
I		JORDAN, LEBANON, SYRIA, SOUTH AFRICA, IRAQ, IRAN, N.YEMEN, CAMEROON, UAE, BAHRAIN, OMAN, QATAR, KUWAIT, KENYA, TUNISIA, IVORY COAST, MOROCCO				
J		CHINA		220-240	50/60	A0FD-081
K		KOREA		220-240	50/60	A0FD-041