

Parts catalog

Legend

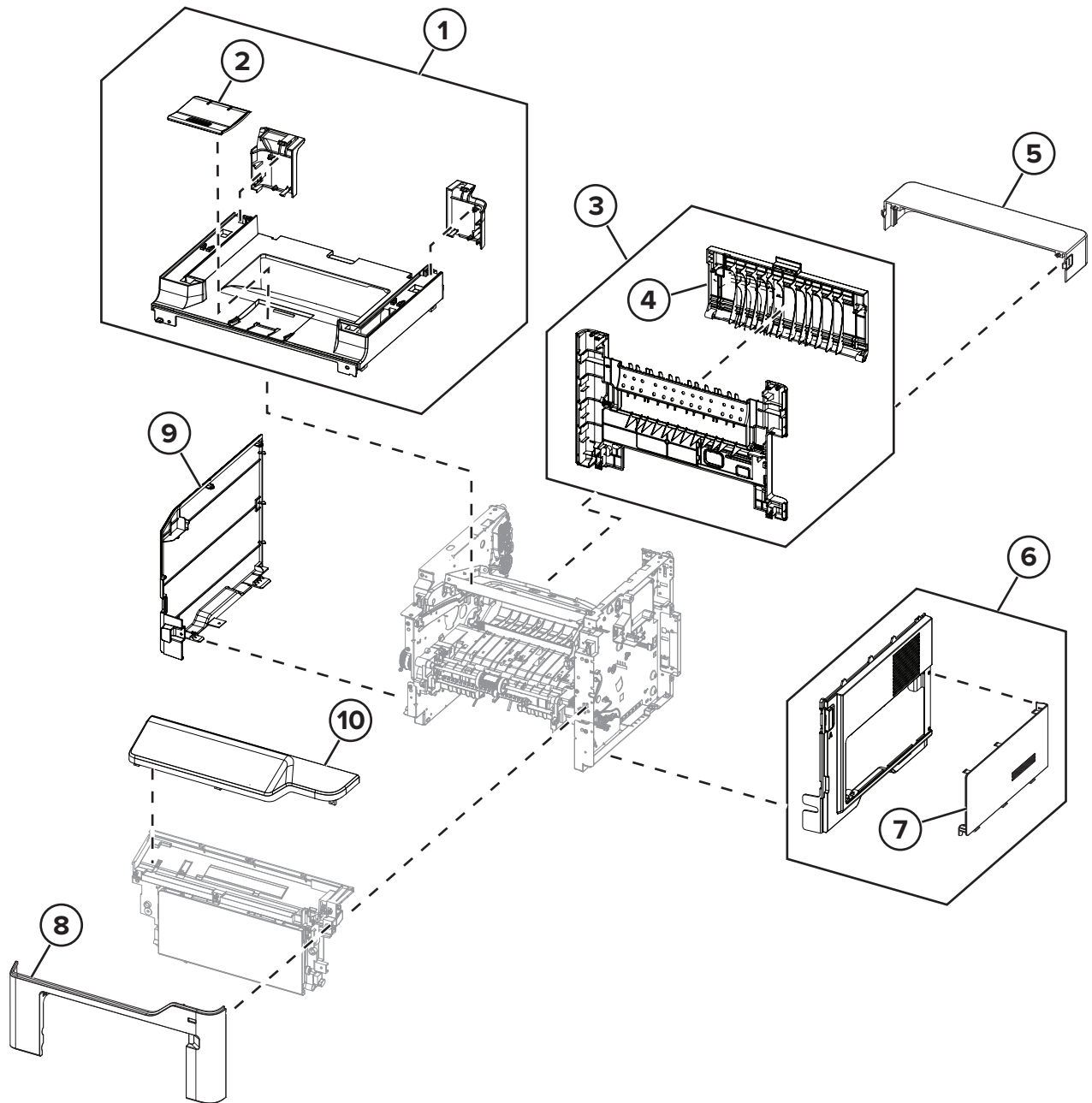
The following column headings are used in the parts catalog:

- **ASM-index**—Identifies the assembly and the item in the diagram. For example, 3-1 indicates Assembly 3 and item 1 in the table.
- **Part number**—Identifies the unique number that correlates with the part.
- **Units/mach**—Refers to the number of units actually used in the base machine or product.
- **Units/option**—Refers to the number of units in a particular option.
- **Units/FRU**—Refers to the number of units in a particular FRU.
- **Description**—A brief description of the part.

The following abbreviations are used in the parts catalog:

- **NS** (not shown) in the Asm-index column indicates that the part is procurable but is not pictured in the illustration.
- **PP** (parts packet) in the Description column indicates that the part is contained in a parts packet.

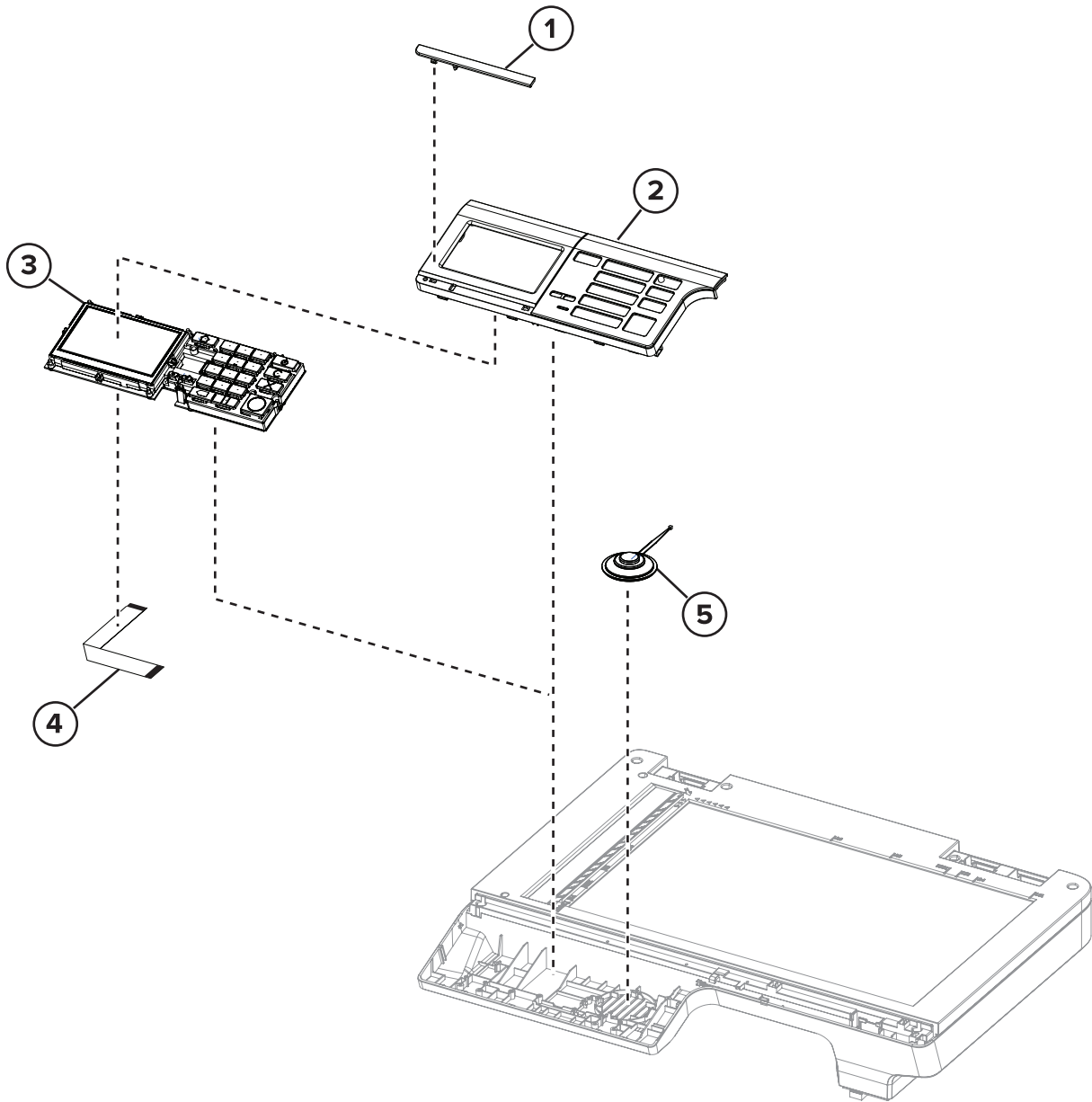
Assembly 1: Covers



Assembly 1: Covers

Asm-index	P/N	Units/mach	Units/FRU	Description	Removal procedure
1	41X1341	1	1	Top cover (MX321 and MX421)	“Top cover removal” on page 276
1	41X1342	1	1	Top cover (MX521 and MX522)	“Top cover removal” on page 276
2	40X9075	1	1	Output extender	--
3	41X1169	1	1	Rear door and cover	--
4	41X2263	1	1	Rear access door	--
5	40X8520	1	1	Dust cover	--
6	41X1165	1	1	Right cover (MX321 and MX421)	“Right cover removal” on page 223
6	41X2272	1	1	Right cover (MX521 and MX522)	“Right cover removal” on page 223
7	41X1233	1	1	Right access cover	--
8	41X1163	1	1	Nameplate (MX321)	“Nameplate removal” on page 239
8	41X2273	1	1	Nameplate (MX421, MX521, and MX522)	“Nameplate removal” on page 239
9	41X1167	1	1	Left cover	“Left cover removal” on page 209
10	41X1355	1	1	Top access cover	“Top access cover removal” on page 240

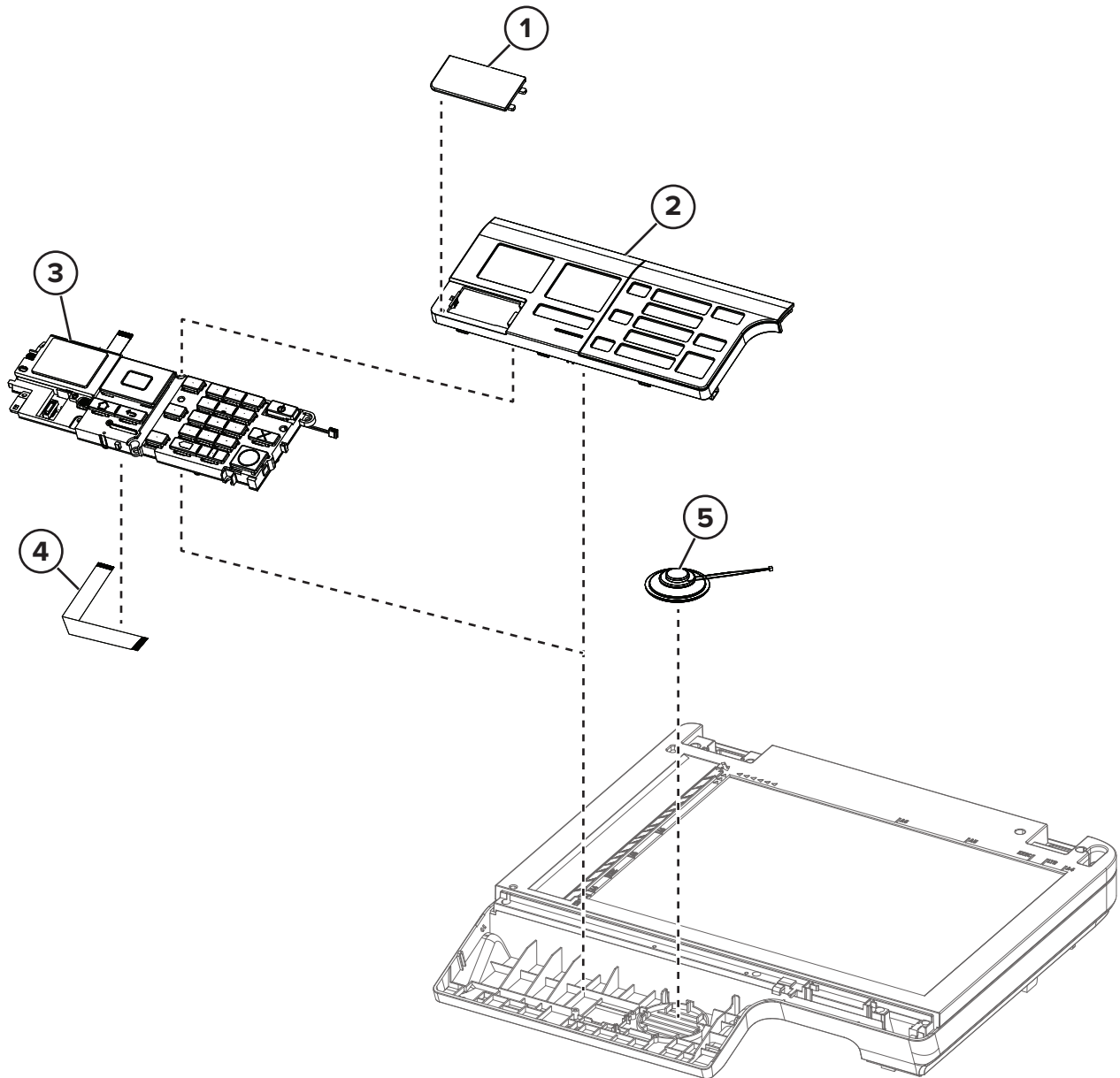
Assembly 2: Control panel (MX421, MX521, and MX522)



Assembly 2: Control panel (MX421, MX521, and MX522)

Asm-index	P/N	Units/mach	Units/FRU	Description	Removal procedure
1	41X2540	1	1	Bezel (MX421)	--
1	41X2500	1	1	Bezel (MX521)	--
1	41X2445	1	1	Bezel (MX522)	--
2	41X1353	1	1	Control panel cover (MX421, MX521, and MX522)	“Control panel (MX421, MX521, and MX522) cover and board removal” on page 248
3	41X1359	1	1	Control panel (MX421, MX521, and MX522)	--
4	41X2524	1	1	Control panel flat cable (MX421)	--
4	41X2525	1	1	Control panel flat cable (MX521 and MX522)	--
5	41X2529	1	1	Speaker	“Speaker (MX421, MX521, and MX522) removal” on page 243

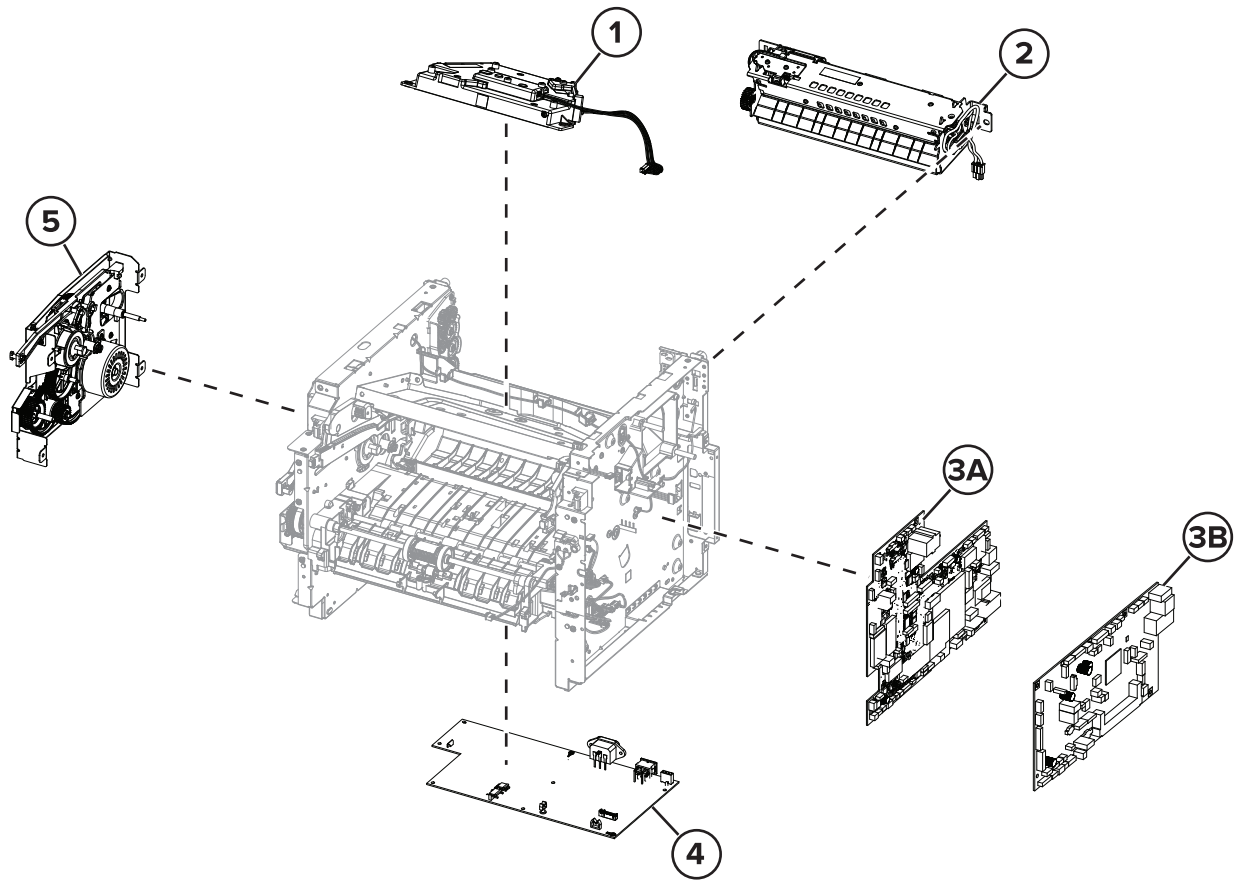
Assembly 3: Control panel (MX321)



Assembly 3: Control panel (MX321)

Asm-index	P/N	Units/mach	Units/FRU	Description	Removal procedure
1	41X1346	1	1	Bezel (MX321)	“Bezel (MX321) removal” on page 241
2	41X1352	1	1	Control panel cover (MX321)	“Control panel (MX321) cover and board removal” on page 247
3	41X1368	1	1	Control panel (MX321)	--
4	41X2524	1	1	Control panel flat cable (MX321)	--
5	41X2529	1	1	Speaker	“Speaker (MX321) removal” on page 242

Assembly 4: Electronics 1



Assembly 4: Electronics 1

Asm-index	P/N	Units/mach	Units/FRU	Description	Removal procedure
1	41X1185	1	1	Printhead	“Printhead removal” on page 279
2	41X1178	1	1	Fuser, 110V	“Fuser removal” on page 275
2	41X1179	1	1	Fuser, 220V	“Fuser removal” on page 275
2	41X1180	1	1	Fuser, 100V	“Fuser removal” on page 275
3A	41X1360	1	1	Controller board (MX321) <ul style="list-style-type: none"> This part is the original board for old printers (8th digit of printer serial number=0, or 1). This part can be installed on new printers (8th digit of printer serial number\geq2). Firmware update is required. 	“Controller board removal” on page 230
3B	41X2513	1	1	Controller board (MX321)* <ul style="list-style-type: none"> This part is the original board for new printers (8th digit of printer serial number\geq2). This part can be installed on old printers (8th digit of printer serial number=0, or 1). Conversion kit (41X2518) parts also need to be installed, see <i>*note</i>. 	“Controller board removal” on page 230
3A	41X1361	1	1	Controller board (MX421 and MX521) <ul style="list-style-type: none"> This part is the original board for old printers (8th digit of printer serial number=0, or 1). This part can be installed on new printers (8th digit of printer serial number\geq2). Firmware update is required. 	“Controller board removal” on page 230
3B	41X2514	1	1	Controller board (MX421 and MX521)* <ul style="list-style-type: none"> This part is the original board for new printers (8th digit of printer serial number\geq2). This part can be installed on old printers (8th digit of printer serial number=0, or 1). Conversion kit (41X2518) parts also need to be installed, see <i>*note</i>. 	“Controller board removal” on page 230

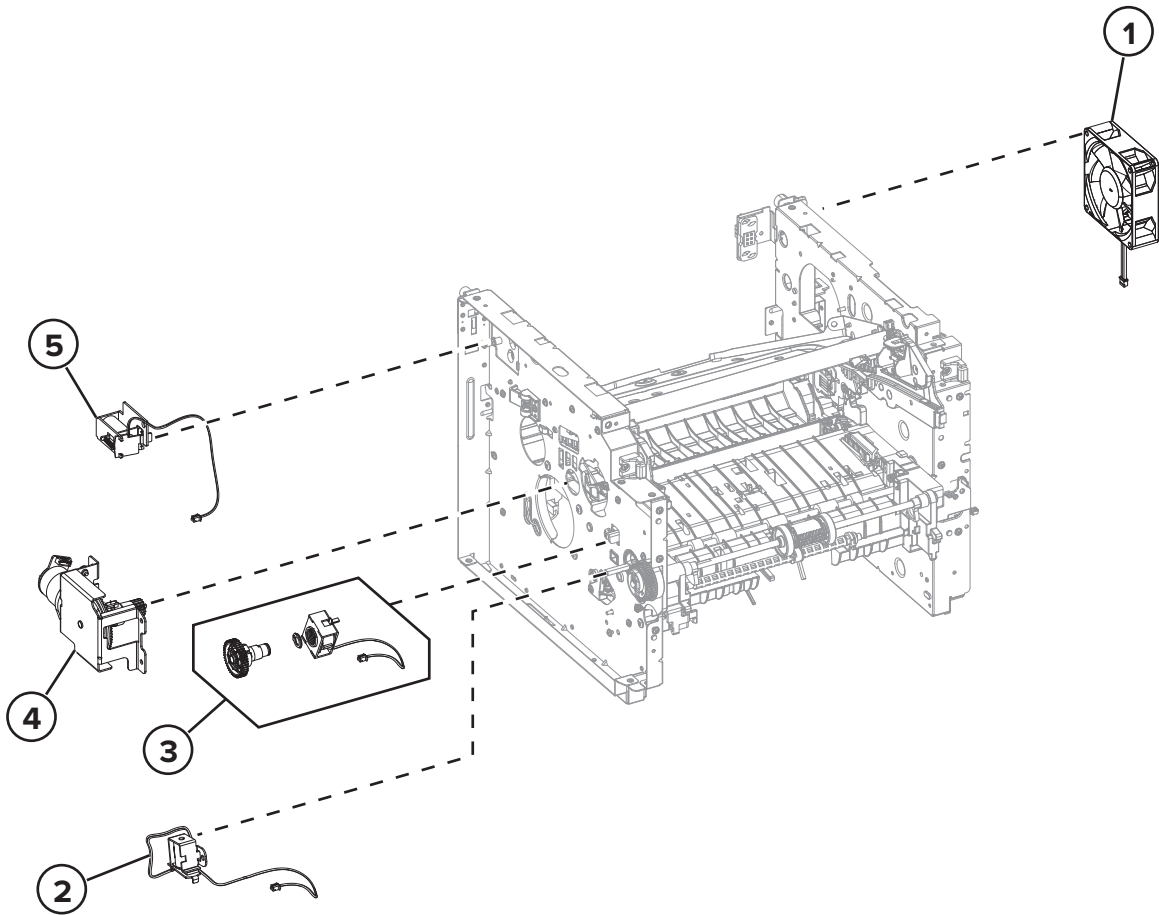
Asm-index	P/N	Units/mach	Units/FRU	Description	Removal procedure
3A	41X1370	1	1	Controller board (MX522)	“Controller board removal” on page 230
4	41X1201	1	1	Power supply, 100V/110V	“Power supply removal” on page 260
4	41X1202	1	1	Power supply, 220V	“Power supply removal” on page 260
5	41X1224	1	1	Main drive gearbox	“Main drive gearbox removal” on page 211
NS	41X2518	1	1	Cable conversion kit <ul style="list-style-type: none"> • 41X2528—ADF cable (MX321 and MX421) • 41X2526—Control panel flat cable (MS622) • 41X2524—Control panel flat cable (MX421) • 41X2525—Control panel flat cable (MX521) • 41X2530—Flatbed home sensor extension cable • 41X2529—Speaker 	--

***Note when replacing an L-shaped board (3A) with a rectangular board (3B):**

The following parts from the cable conversion kit (41X2518) also need to be installed:

- Control panel flat cable
- Speaker
- Flatbed home sensor extension cable
- ADF cable (not needed for MX521)

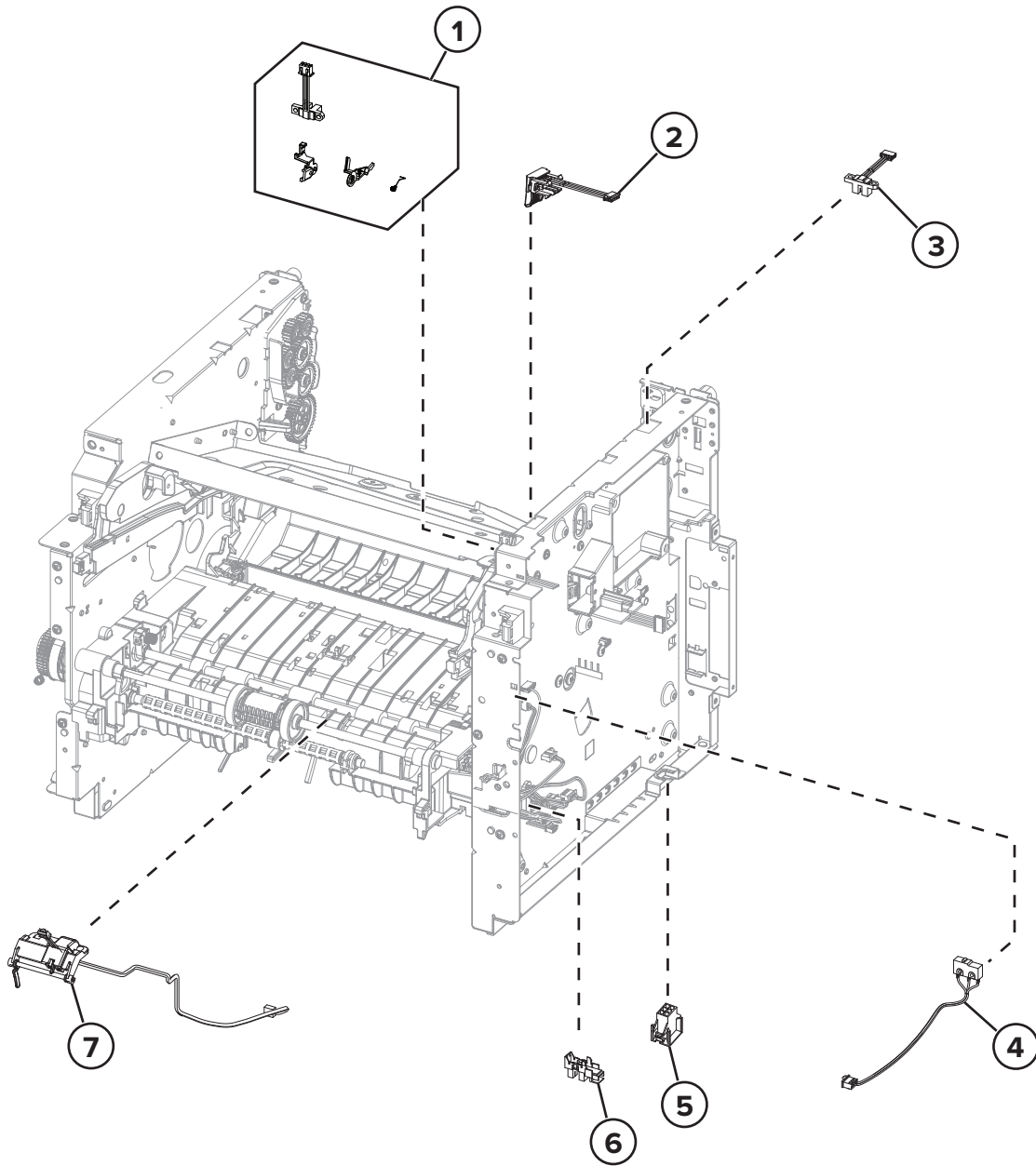
Assembly 5: Electronics 2



Assembly 5: Electronics 2

Asm-index	P/N	Units/mach	Units/FRU	Description	Removal procedure
1	41X2259	1	1	Cooling fan	“Cooling fan removal” on page 227
2	41X1213	1	1	MPF solenoid	“MPF solenoid removal” on page 219
3	41X2391	1	1	Pick roller clutch	“Pick roller clutch removal” on page 221
4	41X1237	1	1	Motor (cartridge)	“Cartridge gearbox removal” on page 220
5	41X1214	1	1	Reverse solenoid	“Reverse solenoid removal” on page 216

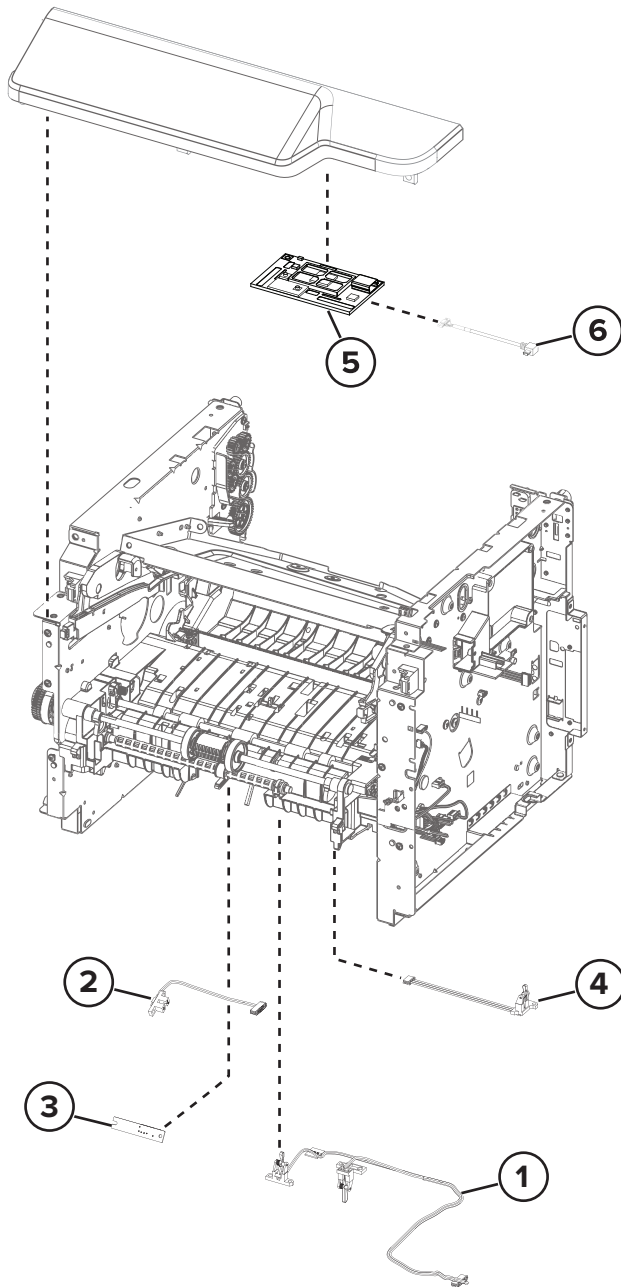
Assembly 6: Electronics 3



Assembly 6: Electronics 3

Asm-index	P/N	Units/mach	Units/FRU	Description	Removal procedure
1	41X1988	1	1	Sensor (cartridge barrel)	“Cartridge barrel shutter sensor kit removal” on page 236
2	41X1162	1	1	Toner cartridge smart chip contact	“Toner cartridge smart chip contact removal” on page 233
3	41X2260	1	1	Sensor (bin full)	--
4	41X1209	1	1	Sensor (front door)	“Sensor (front door) removal” on page 251
5	41X1236	1	1	Interconnect cable	“Interconnect cable removal” on page 225
6	41X1238	1	1	Sensor (tray present)	“Sensor (tray present) removal” on page 227
7	41X1210	1	1	Sensor (MPF paper present)	“Sensor (MPF paper present) removal” on page 257

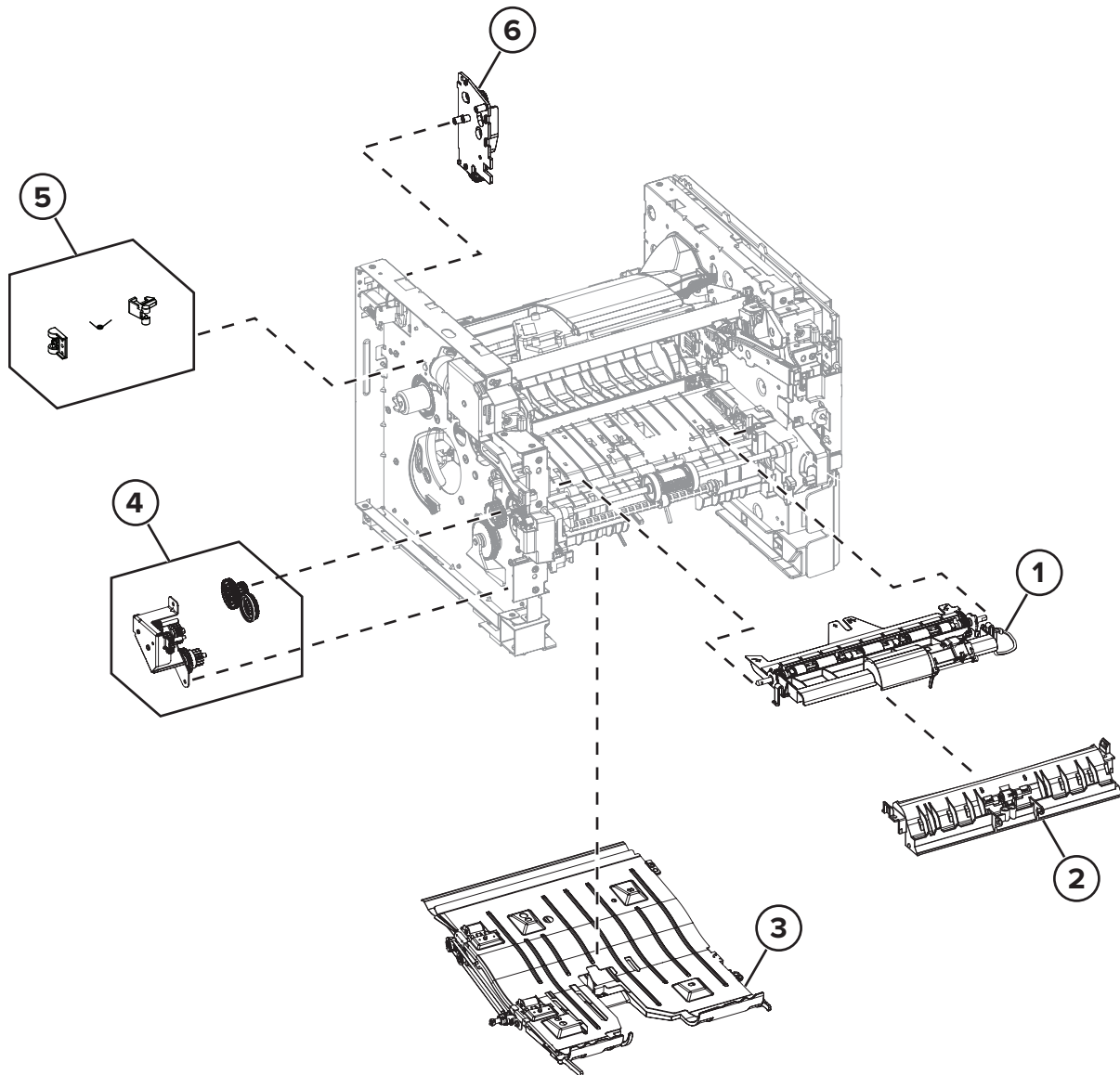
Assembly 7: Electronics 4



Assembly 7: Electronics 4

Asm-index	P/N	Units/mach	Units/FRU	Description	Removal procedure
1	41X1206	1	1	Sensor (duplex and input)	“Sensors (duplex and input) removal” on page 264
2	41X1240	1	1	Sensor (trailing edge)	“Sensor (trailing edge) removal” on page 267
3	40X8046	1	1	Sensor (toner density)	“Sensor (toner density) removal” on page 265
4	41X1241	1	1	Sensor (narrow media)	--
5	41X1873	1	1	Wireless module	--
6	41X2270	1	1	Wireless module cable	--

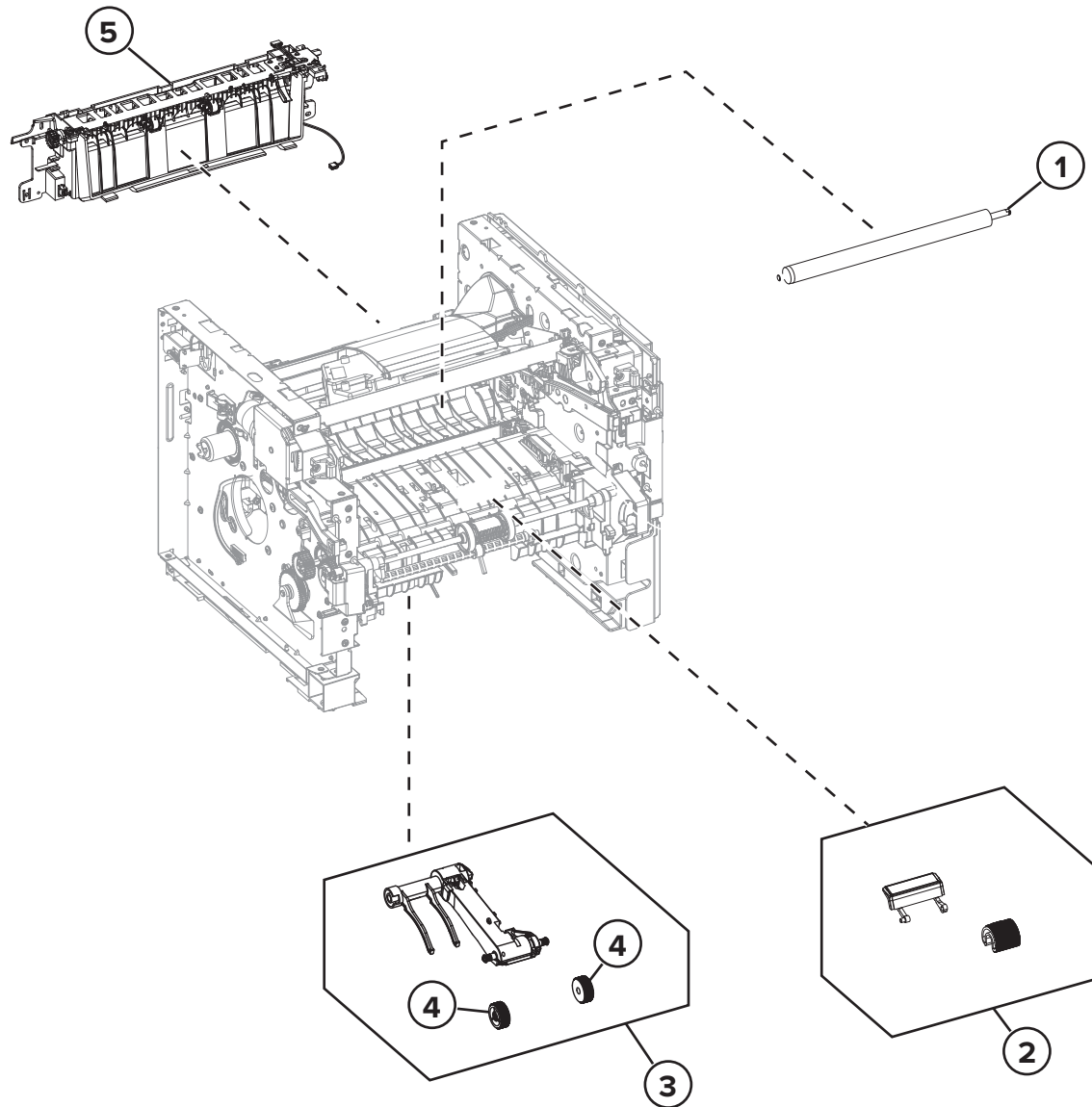
Assembly 8: Paper transport 1



Assembly 8: Paper transport 1

Asm-index	P/N	Units/mach	Units/FRU	Description	Removal procedure
1	41X1183	1	1	Jam access cover	--
2	41X1184	1	1	Front input guide	“Front input guide removal” on page 258
3	41X1176	1	1	Duplex assembly	“Duplex assembly removal” on page 262
4	41X1182	1	1	MPF gearbox (MX521 and MX522)	“MPF gearbox removal” on page 212
4	41X2271	1	1	MPF gearbox (MX321 and MX421)	“MPF gearbox removal” on page 212
5	41X2255	1	1	Fuser actuator	“Fuser actuator removal” on page 215
6	41X2268	1	1	Redrive gear plate	--

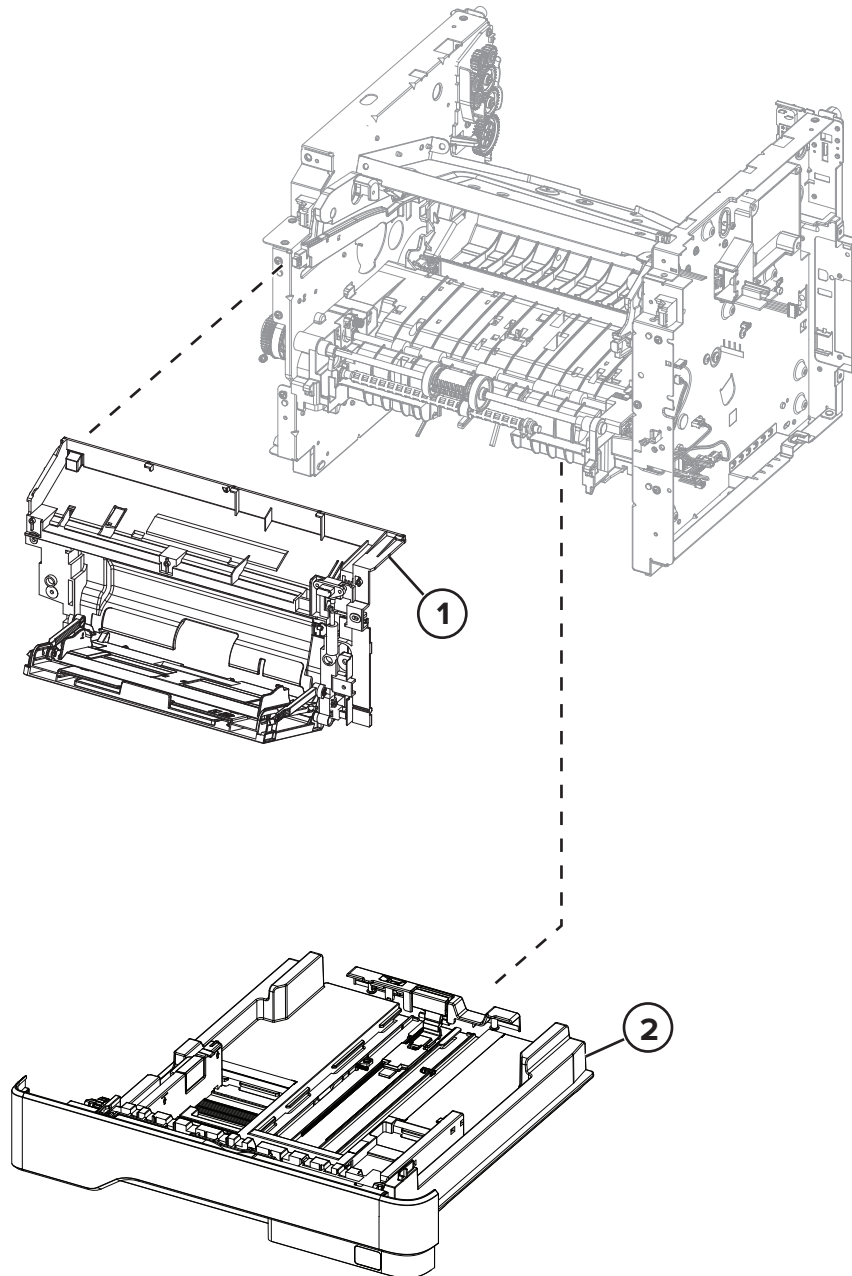
Assembly 9: Paper transport 2



Assembly 9: Paper transport 2

Asm-index	P/N	Units/mach	Units/FRU	Description	Removal procedure
1	40X8393	1	1	Transfer roller	“Transfer roller removal” on page 250
2	41X1197	1	1	MPF pick roller and separator pad	“MPF pick roller and separator pad removal” on page 253
3	41X1223	1	1	Pick roller assembly	“Pick roller assembly removal” on page 268
4	41X0918	2	2	Pick tire	--
5	41X1349	1	1	Redrive assembly	--

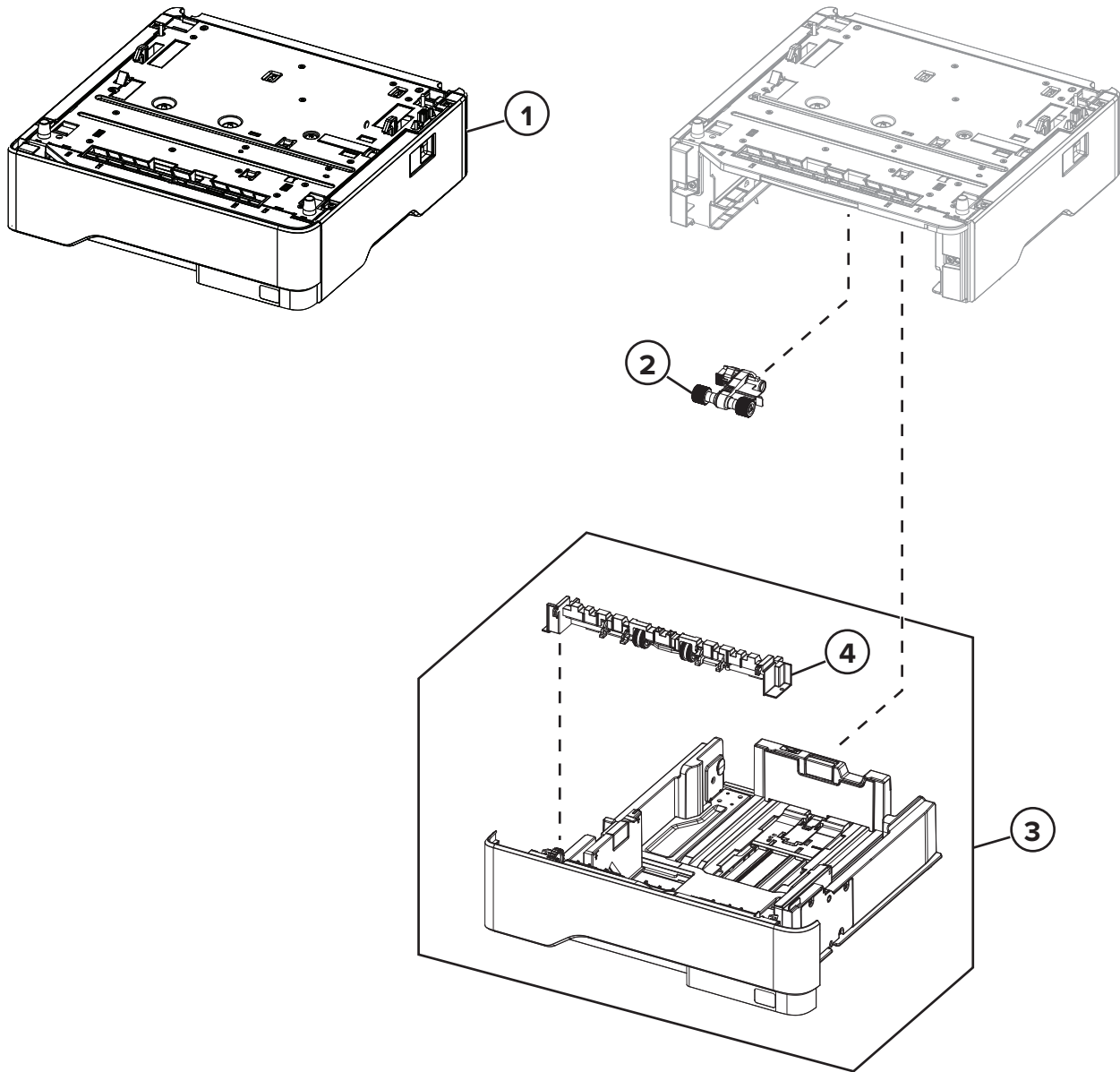
Assembly 10: MPF and standard tray



Assembly 10: MPF and standard tray

Asm-index	P/N	Units/mach	Units/FRU	Description	Removal procedure
1	41X1218	1	1	MPF with front access cover (MX321 and MX522)	“MPF with front access cover removal” on page 256
1	41X1366	1	1	MPF with front access cover (MX421 and MX521)	“MPF with front access cover removal” on page 256
2	41X2125	1	1	Standard 250-sheet tray insert (MX321 and MX421)	--
2	41X1220	1	1	Standard 250-sheet tray insert (MX521 and MX522)	--

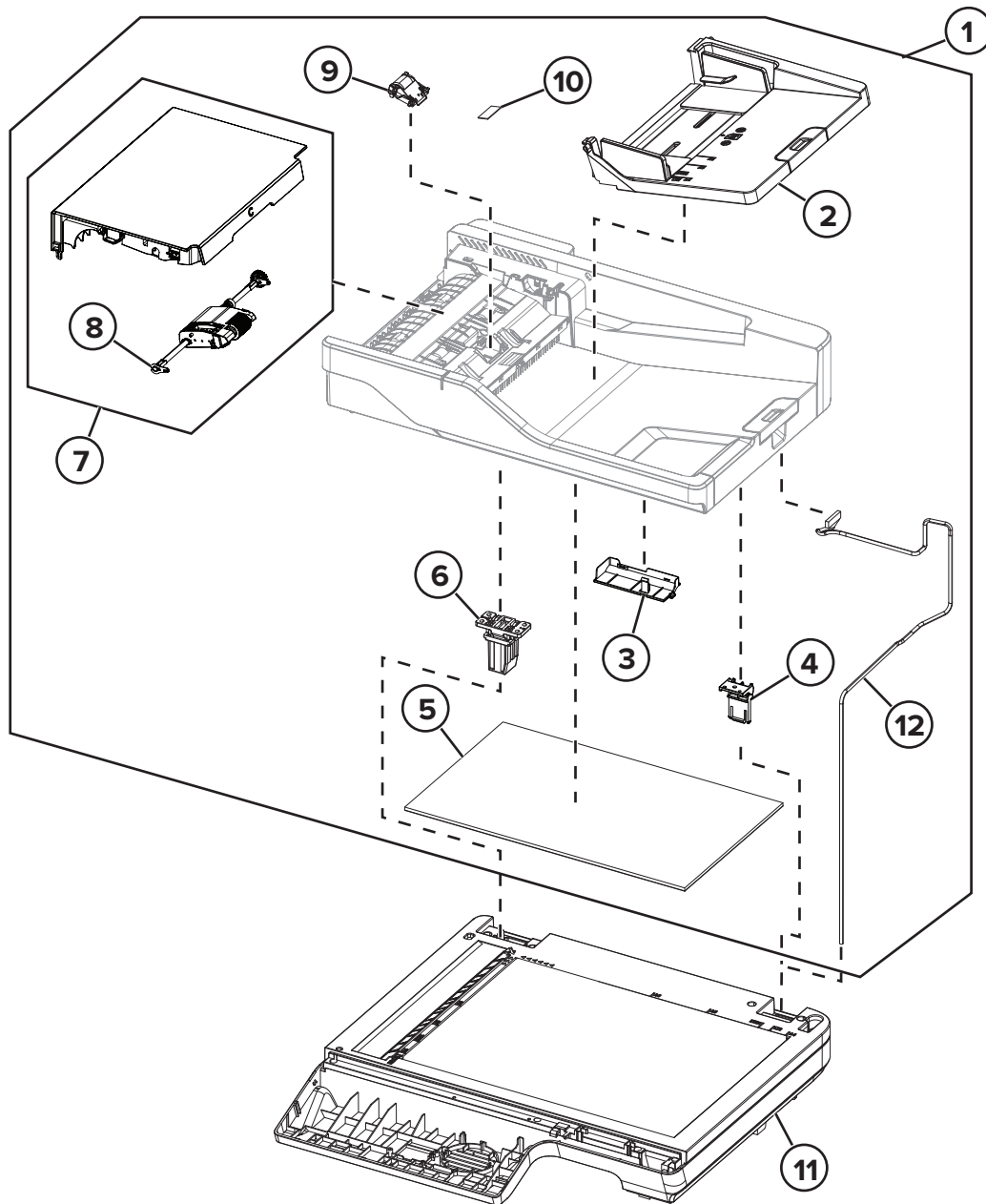
Assembly 11: Optional trays



Assembly 11: Optional trays

Asm-index	P/N	Units/opt	Units/FRU	Description	Removal procedure
1	41X1216	1	1	Optional 550-sheet tray	--
1	41X1217	1	1	Optional 250-sheet tray	--
2	41X1239	1	1	Pick roller	--
3	41X1222	1	1	550-sheet tray insert (optional tray)	--
3	41X1221	1	1	250-sheet tray insert (optional tray)	--
4	41X1212	1	1	Separator roller assembly	“Separator roller assembly removal” on page 300

Assembly 12: Imaging (MX321, MX421, and MX521) 1

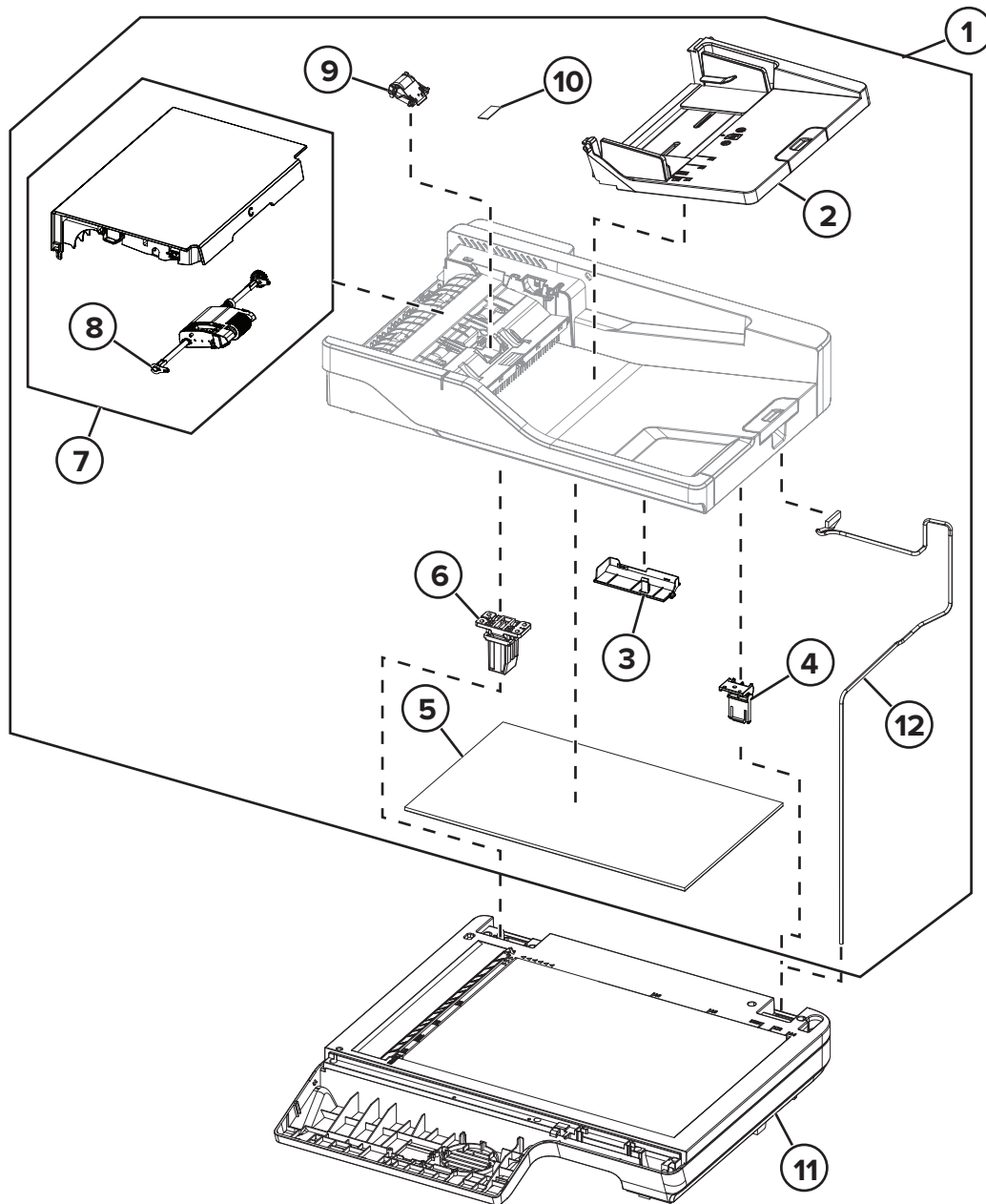


Assembly 12: Imaging (MX321, MX421, and MX521) 1

Asm-index	P/N	Units/mach	Units/FRU	Description	Removal procedure
1	41X1327	1	1	ADF assembly (MX321) <ul style="list-style-type: none"> This part is the original ADF for old printers (8th digit of printer serial number=0, or 1). This part can be installed on new printers (8th digit of printer serial number\geq2). Since the ADF cable is short, the longer ADF cable (41X2528) is also needed. 	“ADF assembly removal” on page 285
1	41X2519	1	1	ADF assembly (MX321) <ul style="list-style-type: none"> This part is the original ADF for new printers (8th digit of printer serial number\geq2). This part can be installed on old printers (8th digit of printer serial number=0, or 1). No need to install additional parts. 	“ADF assembly removal” on page 285
1	41X2218	1	1	ADF assembly (MX421) <ul style="list-style-type: none"> This part is the original ADF for old printers (8th digit of printer serial number=0, or 1). This part can be installed on new printers (8th digit of printer serial number\geq2). Since the ADF cable is short, the longer ADF cable (41X2528) is also needed. 	“ADF assembly removal” on page 285
1	41X2520	1	1	ADF assembly (MX421) <ul style="list-style-type: none"> This part is the original ADF for new printers (8th digit of printer serial number\geq2). This part can be installed on old printers (8th digit of printer serial number=0, or 1). No need to install additional parts. 	“ADF assembly removal” on page 285
1	41X2219	1	1	ADF assembly (MX521)	“ADF assembly removal” on page 285
2	41X1333	1	1	ADF tray (MX321, MX421, and MX521)	“ADF tray removal” on page 283
3	41X2220	1	1	ADF cable cover (MX321, MX421, and MX521)	--
4	41X1320	1	1	ADF right hinge (MX321 and MX421)	“ADF hinge removal” on page 286

Asm-index	P/N	Units/mach	Units/FRU	Description	Removal procedure
4	41X1321	1	1	ADF right hinge (MX521)	“ADF hinge removal” on page 286
5	41X1323	1	1	ADF cushion (MX321 and MX421)	--
5	41X1324	1	1	ADF cushion (MX521)	--
6	40X8735	1	1	ADF left hinge (MX321, MX421, and MX521)	“ADF hinge removal” on page 286

Assembly 13: Imaging (MX321, MX421, and MX521) 2

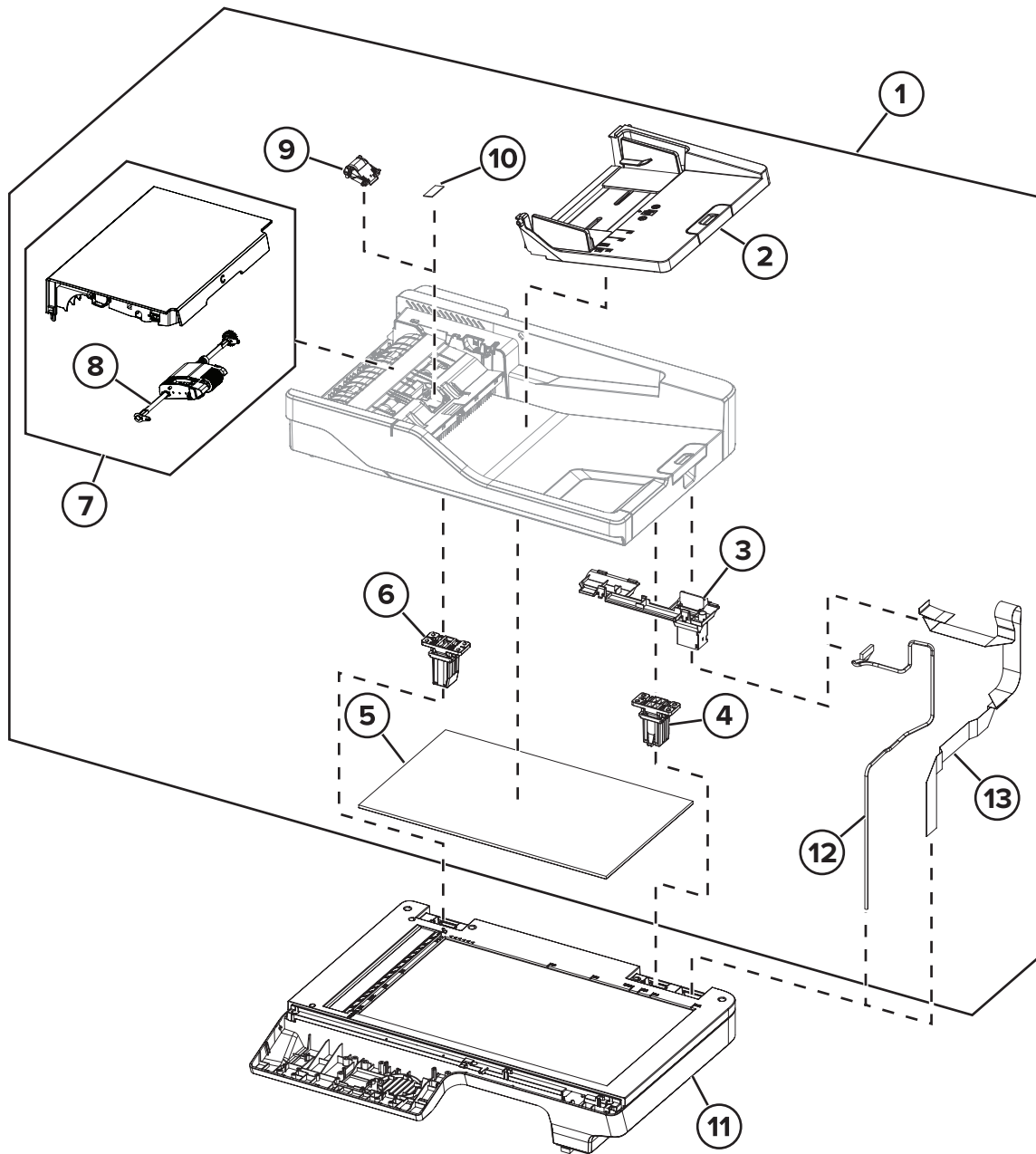


Assembly 13: Imaging (MX321, MX421, and MX521) 2

Asm-index	P/N	Units/mach	Units/FRU	Description	Removal procedure
7	41X2222	1	1	ADF access door (MX321)	“ADF access door removal” on page 288
7	41X1317	1	1	ADF access door (MX421)	“ADF access door removal” on page 288
7	41X2228	1	1	ADF access door (MX521)	“ADF access door removal” on page 288
8	41X2223	1	1	ADF roller (MX321, MX421, and MX521)	“ADF roller removal” on page 289
9	41X2224	1	1	ADF separator roller (MX421 and MX521)	--
9	40X6247	1	1	ADF separator roller (MX321)	--
10	40X9110	1	1	ADF restraint pad (MX321, MX421, and MX521)	“ADF restraint pad removal ” on page 282
11	41X1330	1	1	Flatbed scanner (MX321 and MX421) <ul style="list-style-type: none"> This part is the original flatbed for old printers (8th digit of printer serial number=0, or 1). This part can be installed on new printers (8th digit of printer serial number\geq2). Since the flatbed cable is short, the flatbed home sensor extension cable (41X2530) is also needed. 	“Flatbed scanner removal” on page 291
11	41X2522	1	1	Flatbed scanner (MX321 and MX421) <ul style="list-style-type: none"> This part is the original flatbed for new printers (8th digit of printer serial number\geq2). This part can be installed on old printers (8th digit of printer serial number=0, or 1). No need to install additional parts. 	“Flatbed scanner removal” on page 291
11	41X2227	1	1	Flatbed scanner (MX521) <ul style="list-style-type: none"> This part is the original flatbed for old printers (8th digit of printer serial number=0, or 1). This part can be installed on new printers (8th digit of printer serial number\geq2). Since the flatbed cable is short, the flatbed home sensor extension cable (41X2530) is also needed. 	“Flatbed scanner removal” on page 291

Asm-index	P/N	Units/mach	Units/FRU	Description	Removal procedure
11	41X2523	1	1	Flatbed scanner (MX521) <ul style="list-style-type: none"> This part is the original flatbed for new printers (8th digit of printer serial number\geq2). This part can be installed on old printers (8th digit of printer serial number=0, or 1). No need to install additional parts. 	“Flatbed scanner removal” on page 291
12	41X2225	1	1	ADF cable (MX521)	“ADF cable removal” on page 296
12	41X2528	1	1	ADF cable (MX321 and MX421)	“ADF cable removal” on page 296
NS	41X2530	1	1	Flatbed home sensor extension cable	--

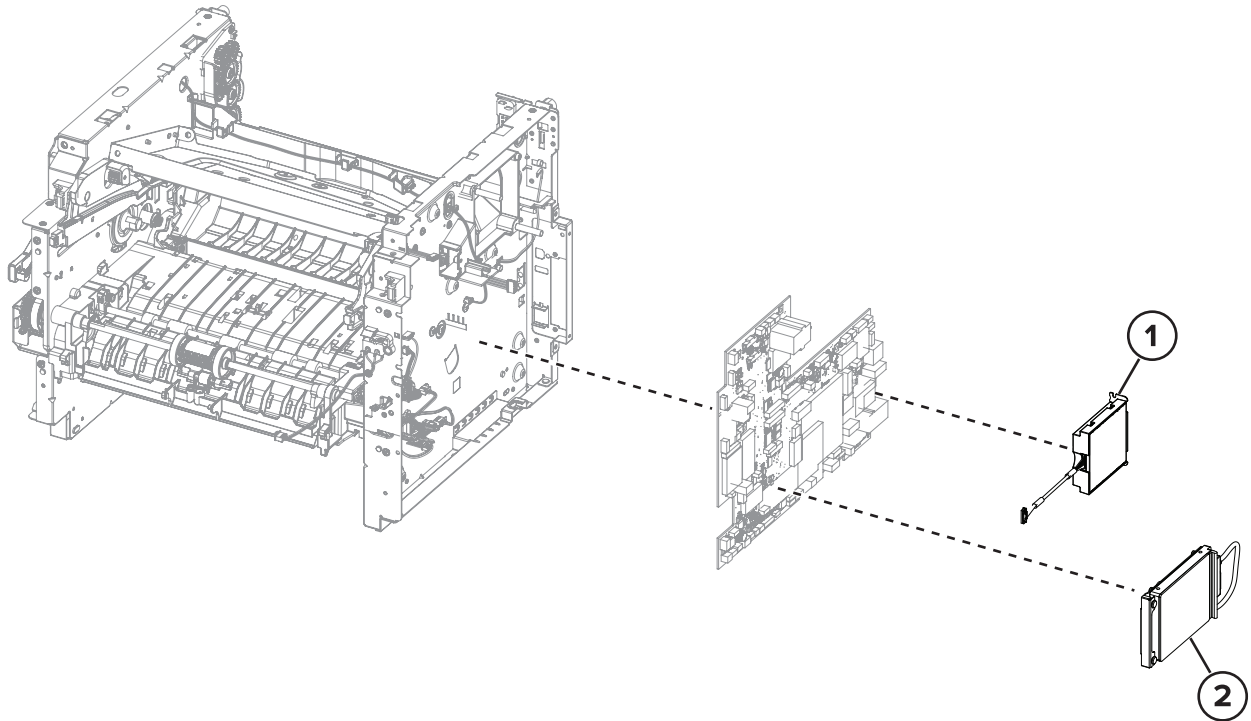
Assembly 14: Imaging (MX522)



Assembly 14: Imaging (MX522)

Asm-index	P/N	Units/mach	Units/FRU	Description	Removal procedure
1	41X1328	1	1	ADF assembly (MX522)	“ADF assembly removal” on page 285
2	41X1334	1	1	ADF tray (MX522)	“ADF tray removal” on page 283
3	41X2221	1	1	ADF cable cover (MX522)	--
4	41X1321	1	1	ADF right hinge (MX522)	“ADF hinge removal” on page 286
5	41X1324	1	1	ADF cushion (MX522)	--
6	40X9129	1	1	ADF left hinge (MX522)	“ADF hinge removal” on page 286
7	41X1318	1	1	ADF access door (MX522)	“ADF access door removal” on page 288
8	41X1326	1	1	ADF roller (MX522)	“ADF roller removal” on page 289
9	41X1325	1	1	ADF separator roller (MX522)	--
10	41X1322	1	1	ADF restraint pad (MX522)	“ADF restraint pad removal ” on page 282
11	41X1331	1	1	Flatbed scanner (MX522)	“Flatbed scanner removal” on page 291
12	41X1315	1	1	ADF cable (MX522)	“ADF cable removal” on page 296
13	41X1316	1	1	ADF flat cable (MX522)	“ADF flat cable removal” on page 293

Assembly 15: Fax card and hard disk



Assembly 15: Fax card and hard disk

Asm-index	P/N	Units/mach	Units/FRU	Description	Removal procedure
1	41X1374	1	1	Fax card (MX522)	--
2	40X9934	1	1	Printer hard disk (MX522), 500GB	--

Assembly 16: Maintenance kits (MX522, MX521, and MB2546)

Asm-index	P/N	Units/mach	Units/FRU	Description	Removal procedure
NS	41X1230	1	1	Maintenance Kit (100 V) <ul style="list-style-type: none"> • Fuser (100 V) • MPF pick roller and separator pad • Pick tires • Transfer roller 	N/A
NS	41X1228	1	1	Maintenance Kit (110 V) <ul style="list-style-type: none"> • Fuser (110 V) • MPF pick roller and separator pad • Pick tires • Transfer roller 	N/A
NS	41X1229	1	1	Maintenance Kit (220 V) <ul style="list-style-type: none"> • Fuser (220 V) • MPF pick roller and separator pad • Pick tires • Transfer roller 	N/A

Assembly 17: Miscellaneous

Asm-index	P/N	Units/mach	Units/FRU	Description	Removal procedure
NS	41X1010	1	1	User Flash Memory, 256MB	--
NS	41X1002	1	1	Forms and Bar Code card	--
NS	41X1004	1	1	IPDS card	--
NS	41X1006	1	1	PRESCRIBE card	--
NS	41X1014	1	1	Font card, Traditional Chinese	--
NS	41X1013	1	1	Font card, Simplified Chinese	--
NS	41X1015	1	1	Font card, Korean	--
NS	41X1016	1	1	Font card, Japanese	--
NS	41X1872	1	1	Marknet N8372, Front WiFi—FSM (MX421 and MX52x)	--
NS	40X8523	1	1	RS-232C Serial Interface card (MX52x)	--
NS	40X8524	1	1	Parallel 1284-B Interface card (MX52x)	--
NS	41X1946	1	1	MarkNet N8230 Fiber Ethernet 100BASE-FX (LC), 1000BASE-SX (LC) (Fiber + side cover) (MX52x)	--
NS	41X2055	1	1	Smart card	--
NS	40X1367	1	1	Parallel cable, 10 feet (MX52x)	--
NS	40X1368	1	1	USB 2.0 cable, 2 meters	--
NS	3086579	1	1	Software CD Note: The part number is for internal use only and is not orderable.	--

