

---

## 2 Parts and diagrams

- [Order parts by authorized service providers](#)
- [Related documentation and software](#)
- [Fasteners used in this product](#)
- [How to use the parts lists and diagrams](#)
- [Assembly locations](#)
- [Covers](#)
- [Document feeder and scanner assemblies](#)
- [Control-panel and USB PCA assemblies](#)
- [Document feeder assemblies](#)
- [Internal assemblies \(1 of 6\)](#)
- [Internal assemblies \(2 of 6\)](#)
- [Internal assemblies \(3 of 6\)](#)
- [Internal assemblies \(4 of 6\)](#)
- [Internal assemblies \(5 of 6\)](#)
- [Internal assemblies \(6 of 6\)](#)
- [Input devices](#)
- [Alphabetical parts list](#)
- [Numerical parts list](#)

# Order parts by authorized service providers

## Order parts, accessories, and supplies

**Table 2-1 Order parts, accessories, and supplies**

Order supplies and paper	<a href="http://www.hp.com/go/suresupply">www.hp.com/go/suresupply</a>
Order genuine HP parts or accessories	<a href="http://www.hp.com/buy/parts">www.hp.com/buy/parts</a>
Order through service or support providers	Contact an HP-authorized service or support provider.
Order using HP software	For information about using the HP software to order parts, accessories, and supplies, see the product user guide.
Power cables	8121-0564; India 220 v, 6A 8121-0729; Argentina 220 v, 10A 8121-0731; Korea, EU generic 220 v, 10A 8121-0733; Denmark 220 v, 10A 8121-0734; Thailand, Philippines 220/110 v 8121-0735; South America, Chile, Peru 220 v, 10A 8121-0737; South Africa 220 v, 10A 8121-0738; Switzerland 220 v, 10A 8121-0739; UK, Asia Pacific 220 v, 10A 8121-0740; North America 110 v, 13A 8121-0837; Australia, New Zealand 220 v, 10A 8121-0943; China 220 v, 10A 8121-0964; Taiwan 110 v, 13A 8121-1004; Israel 220 v, 10A 8121-1071; Brazil 110 v, 10A

## Supplies part numbers

**Table 2-2 Supplies part numbers**

Item	Description	Part number
HP LaserJet toner cartridge	Standard-capacity cartridge	CE255-67901
	High-capacity cartridge	CE255-67902

## Customer self-repair (CSR) and service kits

**Table 2-3 Customer self-repair (CSR) and service kits**

<b>Item</b>	<b>Part number</b>
Tray 1 cover kit; includes name plate & HP logo	A8P80-65010
Complete 500-sheet feeder for Tray 3; includes cassette	CE530-69001
ADF whole unit kit	A8P79-65014
Scanner (flatbed) whole unit kit	A8P79-65015
ADF roller maintenance kit	A8P79-65001
ADF separation pad maintenance kit	A8P79-65010
Fax two ports relevant kit	A8P79-65019
Service PM kit	CF116-67903

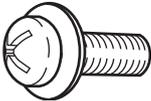
## Related documentation and software

**Table 2-4 Related documentation and software**

Item	Description	Part number
<i>HP LaserJet Pro MFP M521 Printer Printer User Guide</i>	Product user guide	A8P80-90908
<i>HP LaserJet Pro MFP M521 Printer Repair Manual</i>	English service repair manual	A8P79-90904
<i>HP LaserJet Pro MFP M521 Printer Troubleshooting Manual</i>	English service troubleshooting manual	A8P79-90906

## Fasteners used in this product

 **NOTE:** The screw illustrations in the following table are for reference only. Screws might vary in size and appearance from those shown in this table.

Illustration	Description	Size	Part number	Use
	Screw	M3X6	0515-2908	Used to secure metal components to metal components (for example, a ground wire to the frame)
	Screw	M3X8	0515-4681	
	Screw, tapping	P-M3X6	0515-5621	
	Screw, tapping, truss head	M4X14	0515-4672	Used to secure anything to plastic



# How to use the parts lists and diagrams

**⚠ CAUTION:** Be sure to order the correct part. When looking for part numbers for electrical components, pay careful attention to the voltage that is listed. Doing so will make sure that the part number selected is for the correct model.

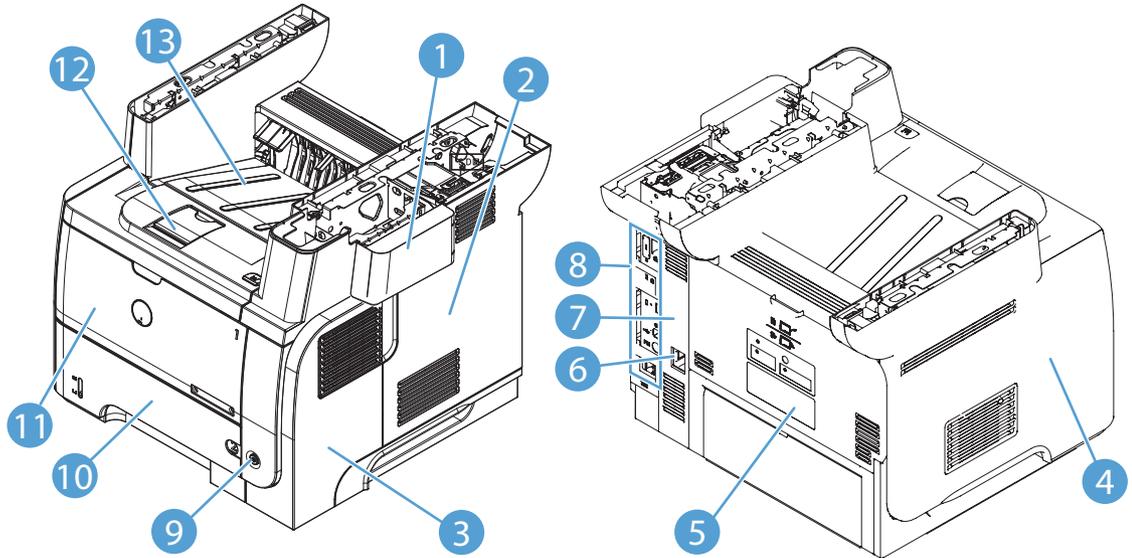
**📝 NOTE:** In this manual, the abbreviation “PCA” stands for “printed circuit-board assembly.” Components described as a PCA might consist of a single circuit board or a circuit board plus other parts, such as cables and sensors.

The figures in this chapter show the major subassemblies in the product and their component parts. A parts list table follows each exploded view assembly diagram. Each table lists the item number, the associated part number, and the description of each part. If a part is not listed in the table, then it is not a field replacement unit (FRU).

## Assembly locations

### Base product (no optional trays or accessories)

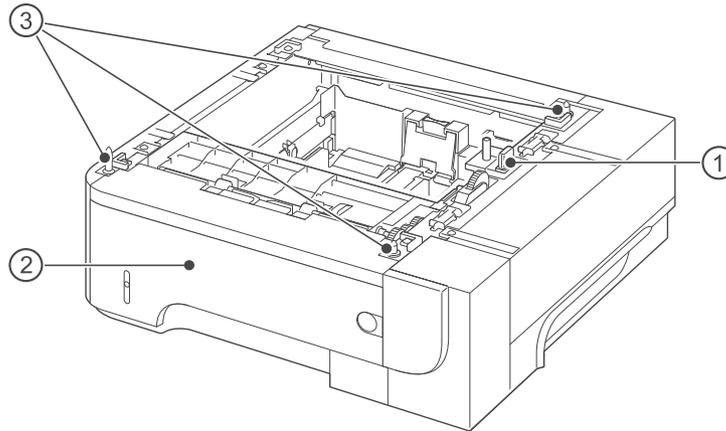
**Figure 2-1** Base product (no optional trays or accessories)



Item	Description	Item	Description
1	Dummy cover	8	I/O plate
2	Formatter cover	9	Power switch
3	Right cover	10	Tray 2
4	Left cover	11	Tray 1/Cartridge drawer door
5	Rear door	12	Output-bin extension for long paper
6	Power port	13	Standard output bin
7	Right-rear cover		

## Base product (optional trays or accessories)

**Figure 2-2** Base product (optional trays or accessories)



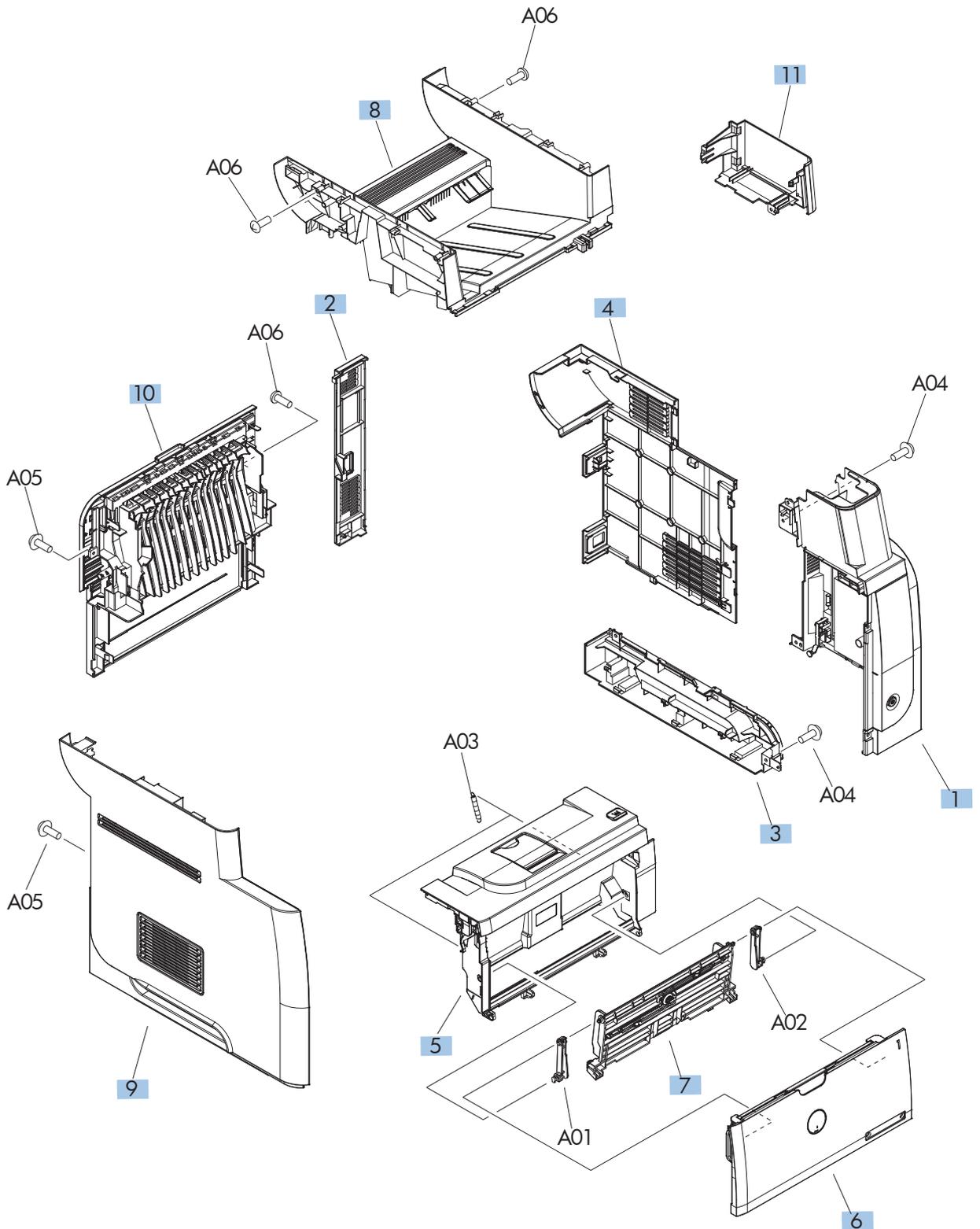
**Table 2-5** Optional 500-sheet input tray

Item	Description
1	Connector
2	Tray 2 or Tray 3
3	Positioning pin



# Covers

Figure 2-3 Covers

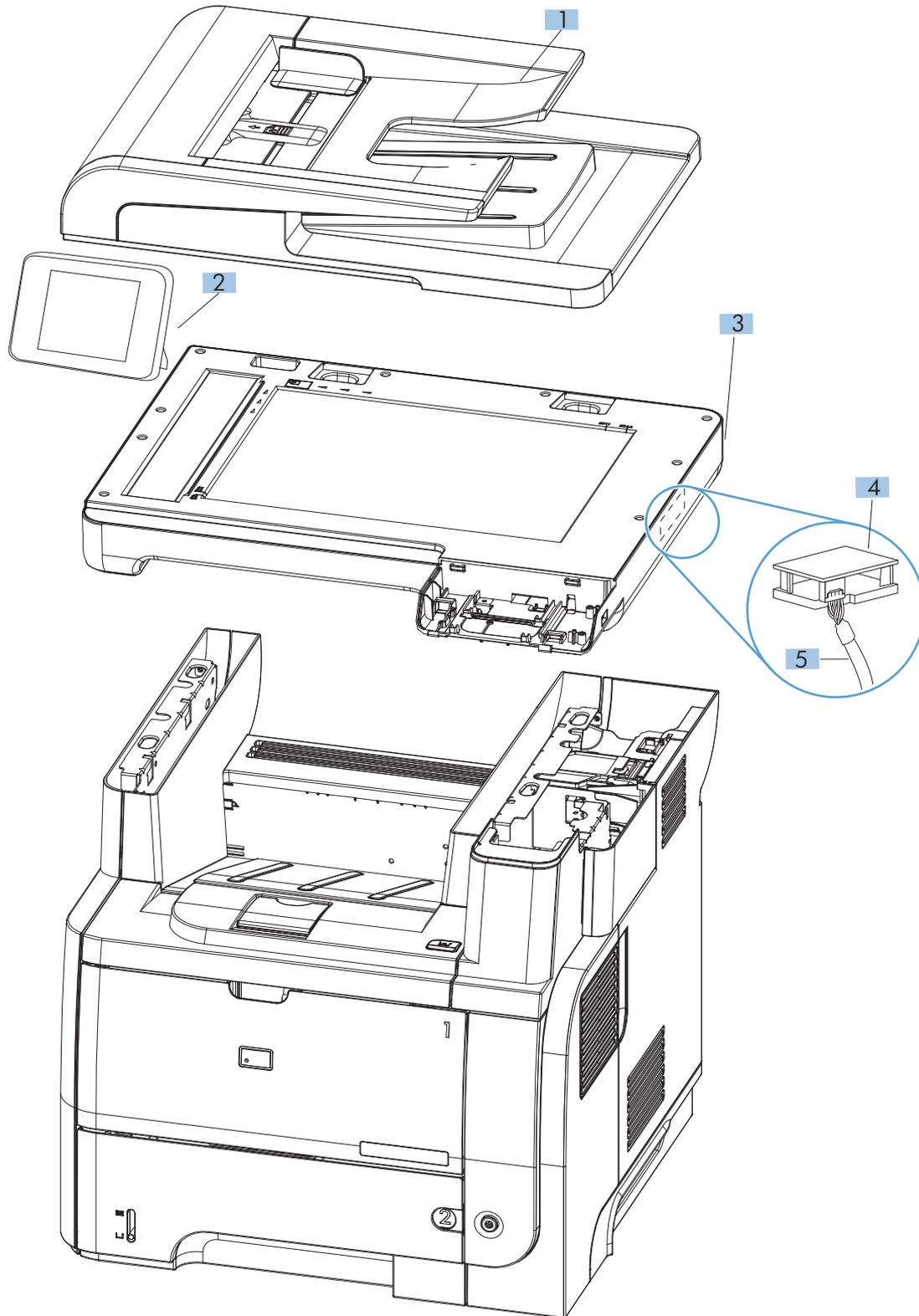


**Table 2-6 Covers**

<b>Ref</b>	<b>Description</b>	<b>Part number</b>	<b>Qty</b>
1	Cover, right assembly	RM1-8498-000CN	1
2	Cover, right rear	RC2-7673-000CN	1
3	Cover, handle, right	RC2-7675-000CN	1
4	Cover, formatter	RC3-1863-010CN	1
5	Door, cartridge assembly	RM1-8502-000CN	1
6	Cover kit, Tray 1	A8P80-65010	1
7	Multipurpose lifting plate assembly	RM1-6325-000CN	1
8	Cover, top assembly	RM1-8516-000CN	1
9	Cover, left assembly	RM1-8517-000CN	1
10	Cover, rear assembly	RM1-8518-000CN	1
11	Cover, dummy	RC3-1920-000CN	1

# Document feeder and scanner assemblies

Figure 2-4 Document feeder and scanner assemblies

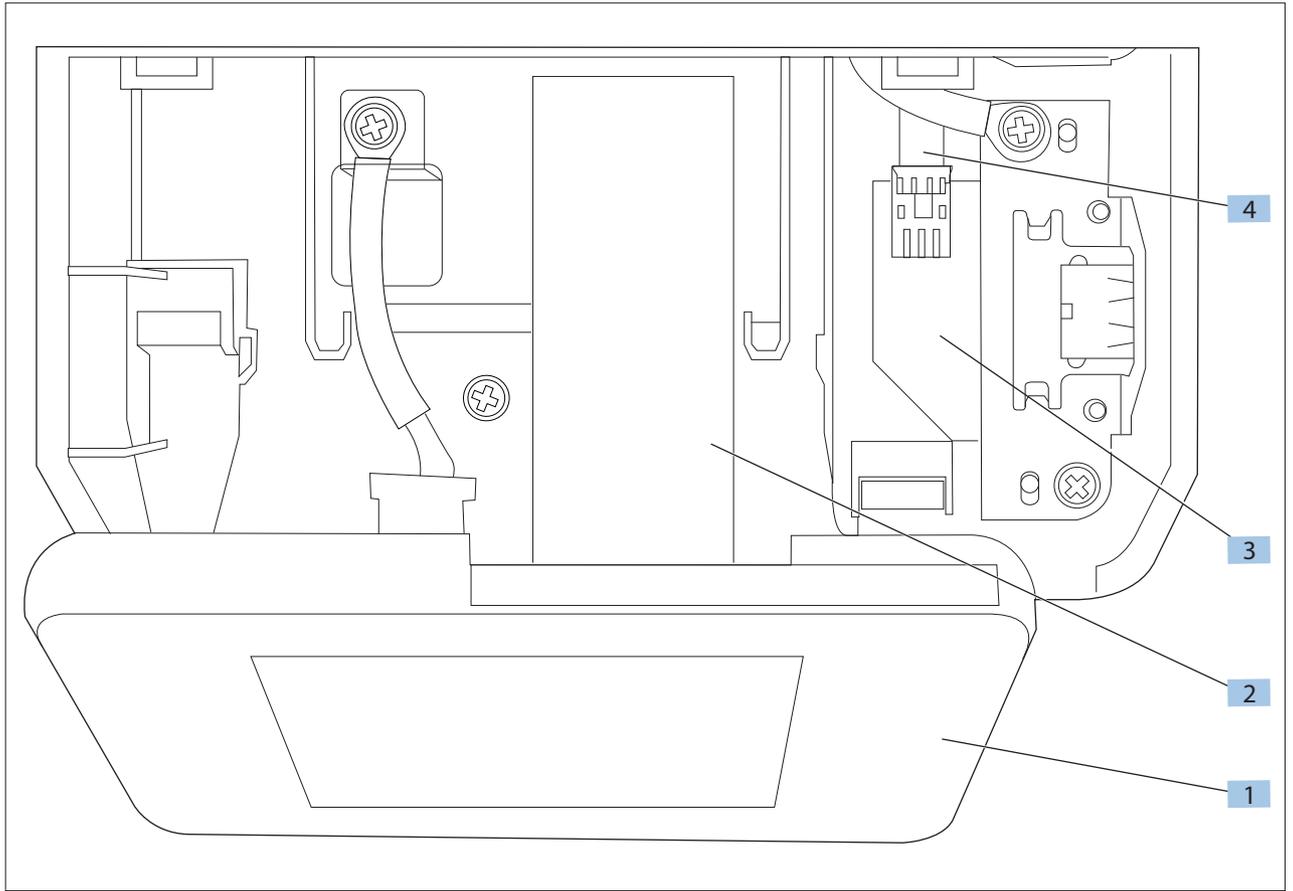


**Table 2-7 Document feeder and scanner assemblies**

<b>Ref</b>	<b>Description</b>	<b>Part number</b>	<b>Qty</b>
1	ADF assembly	A8P79-60120	1
2	Control-panel assembly	A8P79-60115	1
3	Scanner assembly	A8P79-60121	1
4	Wi-Fi module	1150-7957	1
5	Wi-Fi cable	A8P80-60101	1

# Control-panel and USB PCA assemblies

Figure 2-5 Control-panel assembly

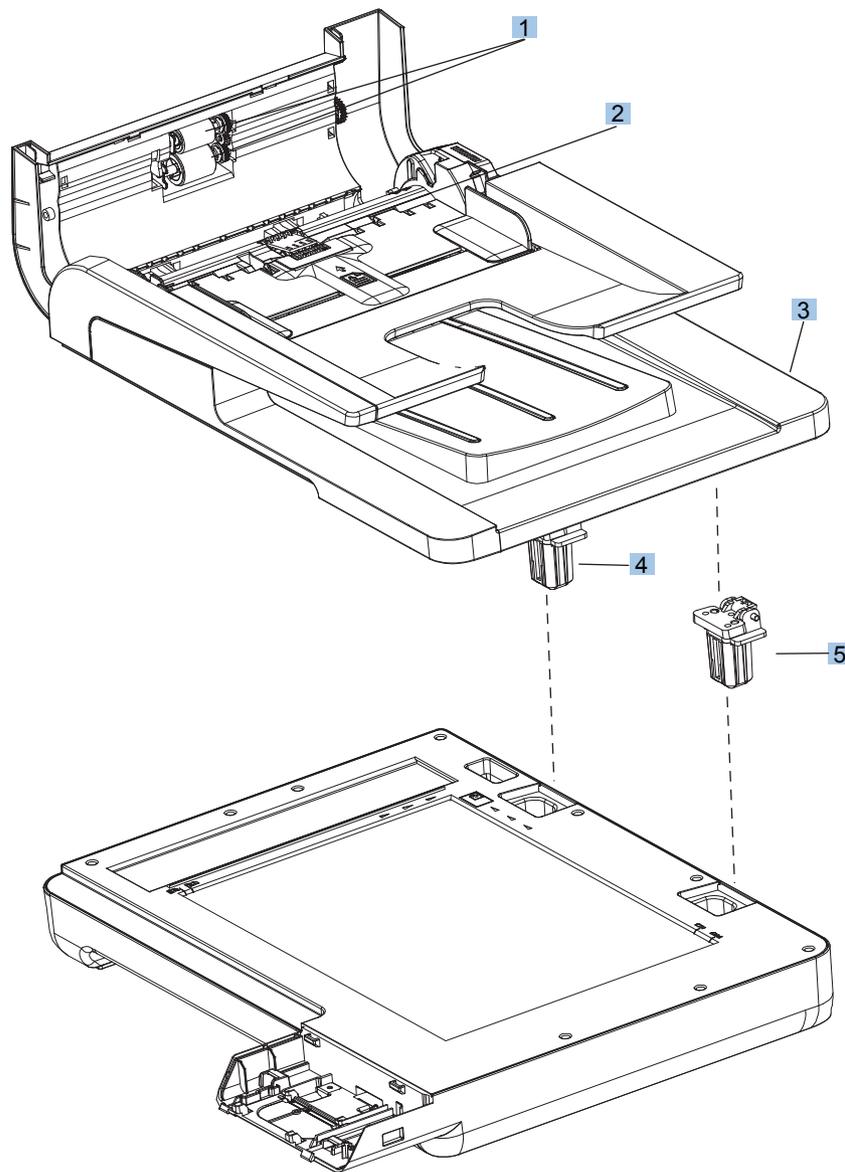


**Table 2-8 Control-panel assembly**

<b>Ref</b>	<b>Description</b>	<b>Part number</b>	<b>Qty</b>
1	Control-panel assembly	A8P79-60115	1
2	Control-panel FFC	A8P79-60106	1
3	USB PCA	CF368-60001	1
4	USB cable	A8P79-60102	1

# Document feeder assemblies

Figure 2-6 Document feeder assemblies

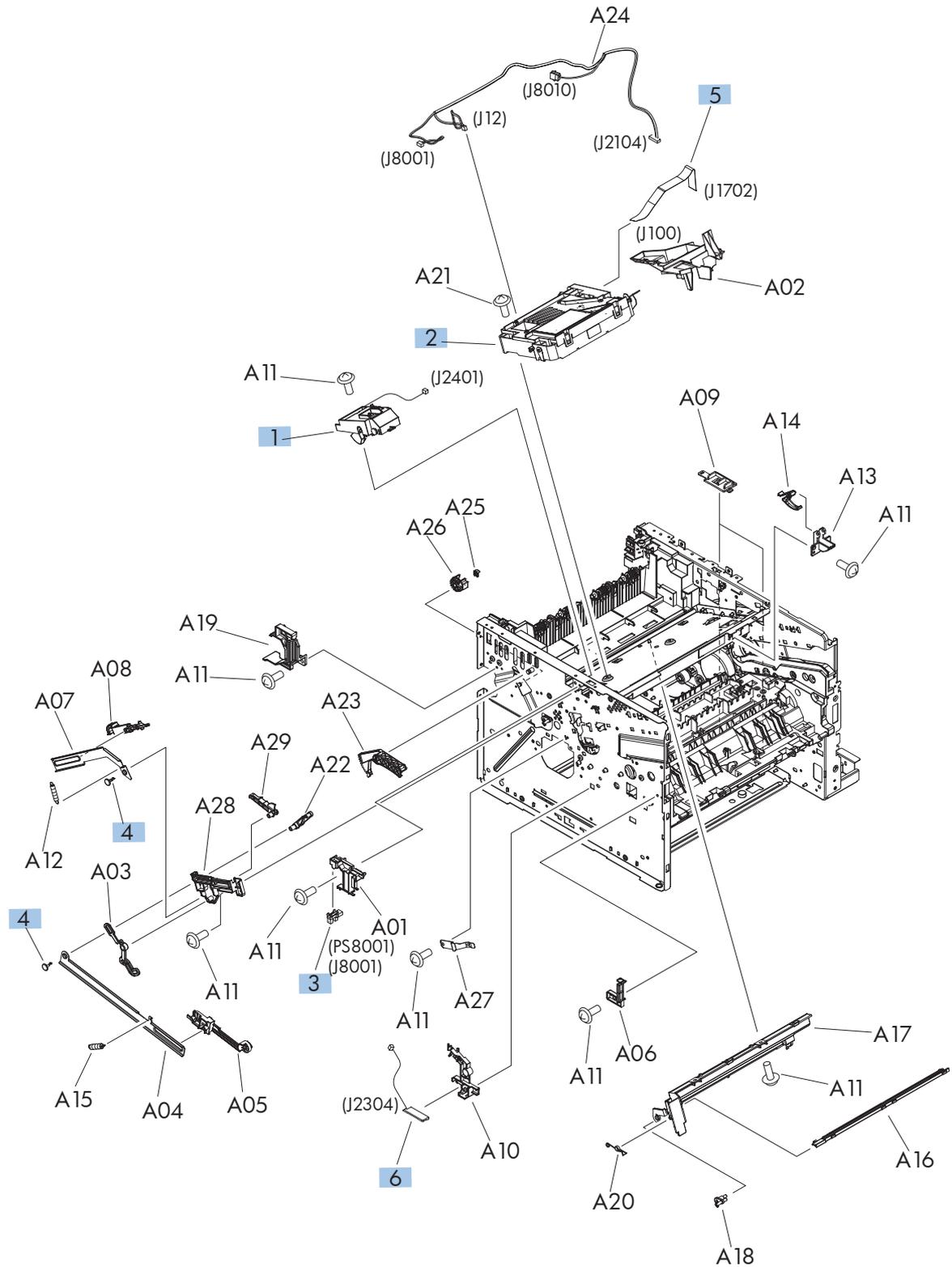


**Table 2-9 Document feeder assemblies**

<b>Ref</b>	<b>Description</b>	<b>Part number</b>	<b>Qty</b>
1	ADF roller maintenance kit	A8P79-65001	1
2	ADF separation pad maintenance kit	A8P79-65010	1
3	ADF assembly	A8P79-60120	1
4	ADF hinge assembly, left	CZ271-60020	1
5	ADF hinge assembly, right	A8P79-60011	1
Not shown	ADF whole unit kit	A8P79-65014	1

# Internal assemblies (1 of 6)

Figure 2-7 Internal assemblies (1 of 6)

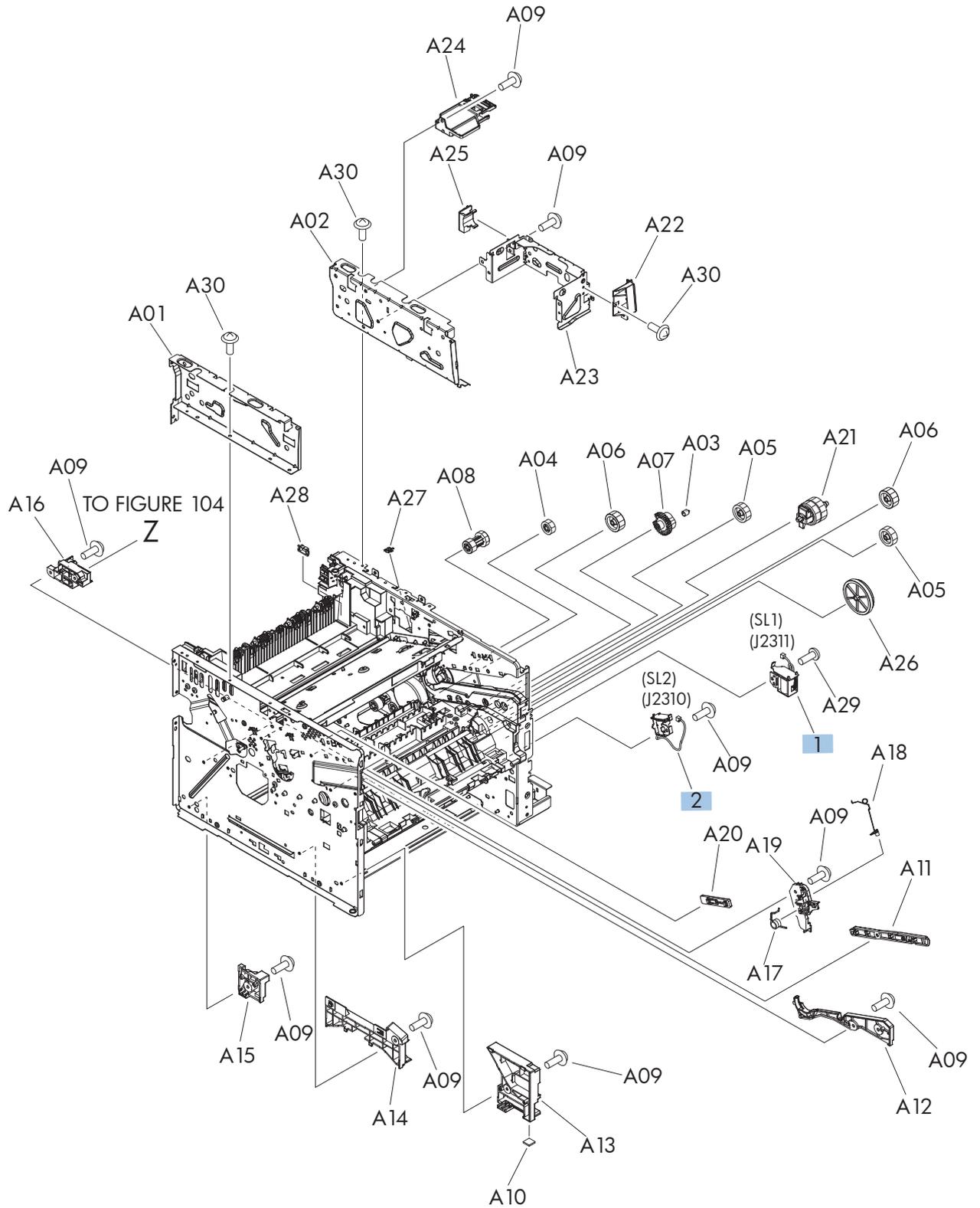


**Table 2-10 Internal assemblies (1 of 6)**

<b>Ref</b>	<b>Description</b>	<b>Part number</b>	<b>Qty</b>
1	Tag holder assembly	RM1-8521-000CN	1
2	Laser/scanner	RM1-6322-000CN	1
3	Photo interrupter, IC	WG8-5935-000CN	1
4	Stopper, bushing arm	RC2-7928-000CN	2
5	Cable, flat	RK2-4218-000CN	1
6	Sensor, environmental PCA	RM1-8622-000CN	1

# Internal assemblies (2 of 6)

Figure 2-8 Internal assemblies (2 of 6)

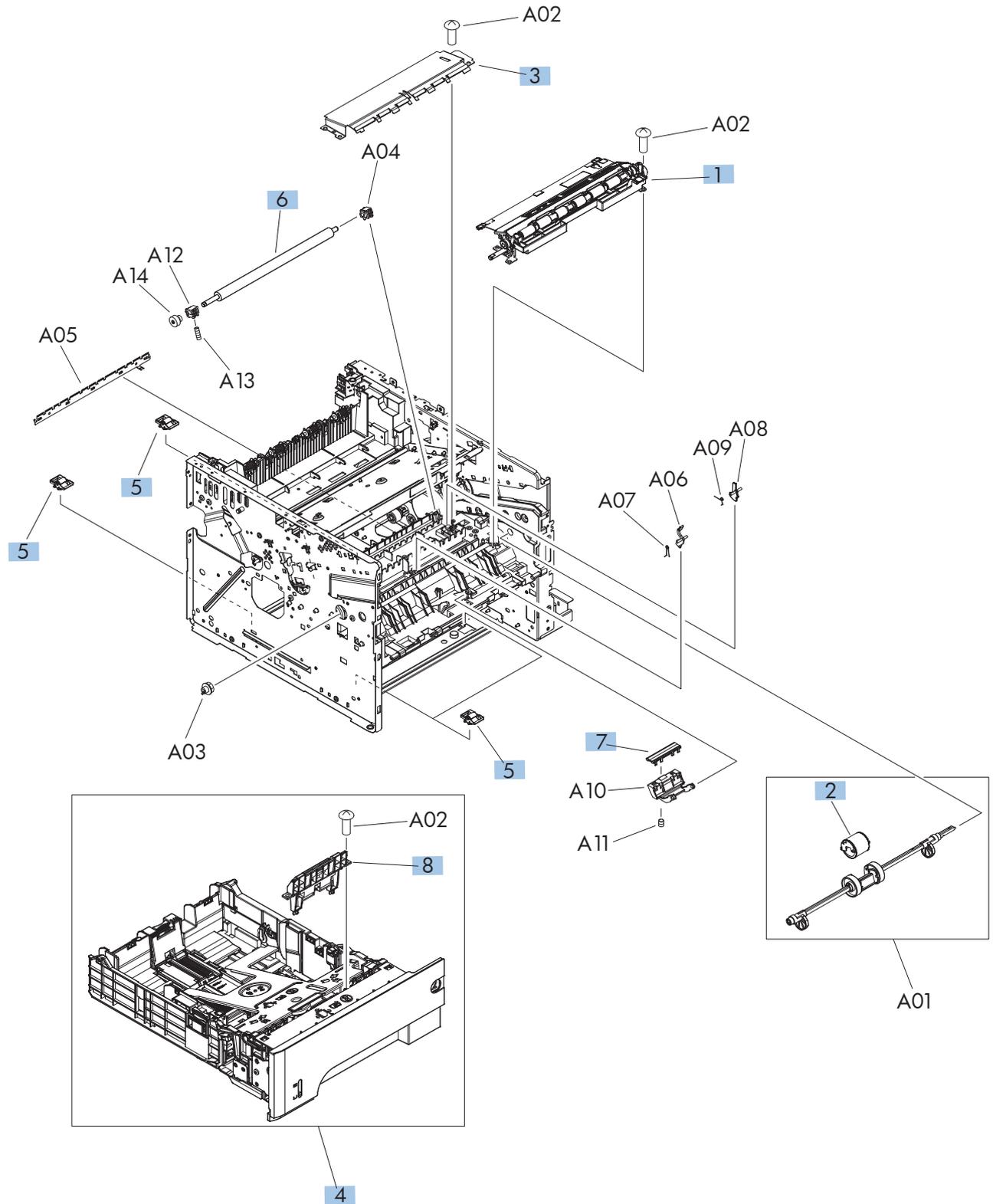


**Table 2-11 Internal assemblies (2 of 6)**

<b>Ref</b>	<b>Description</b>	<b>Part number</b>	<b>Qty</b>
1	Tray 1 solenoid	RK2-1490-000CN	1
2	Tray 2 solenoid	RK2-1492-000CN	1

# Internal assemblies (3 of 6)

Figure 2-9 Internal assemblies (3 of 6)

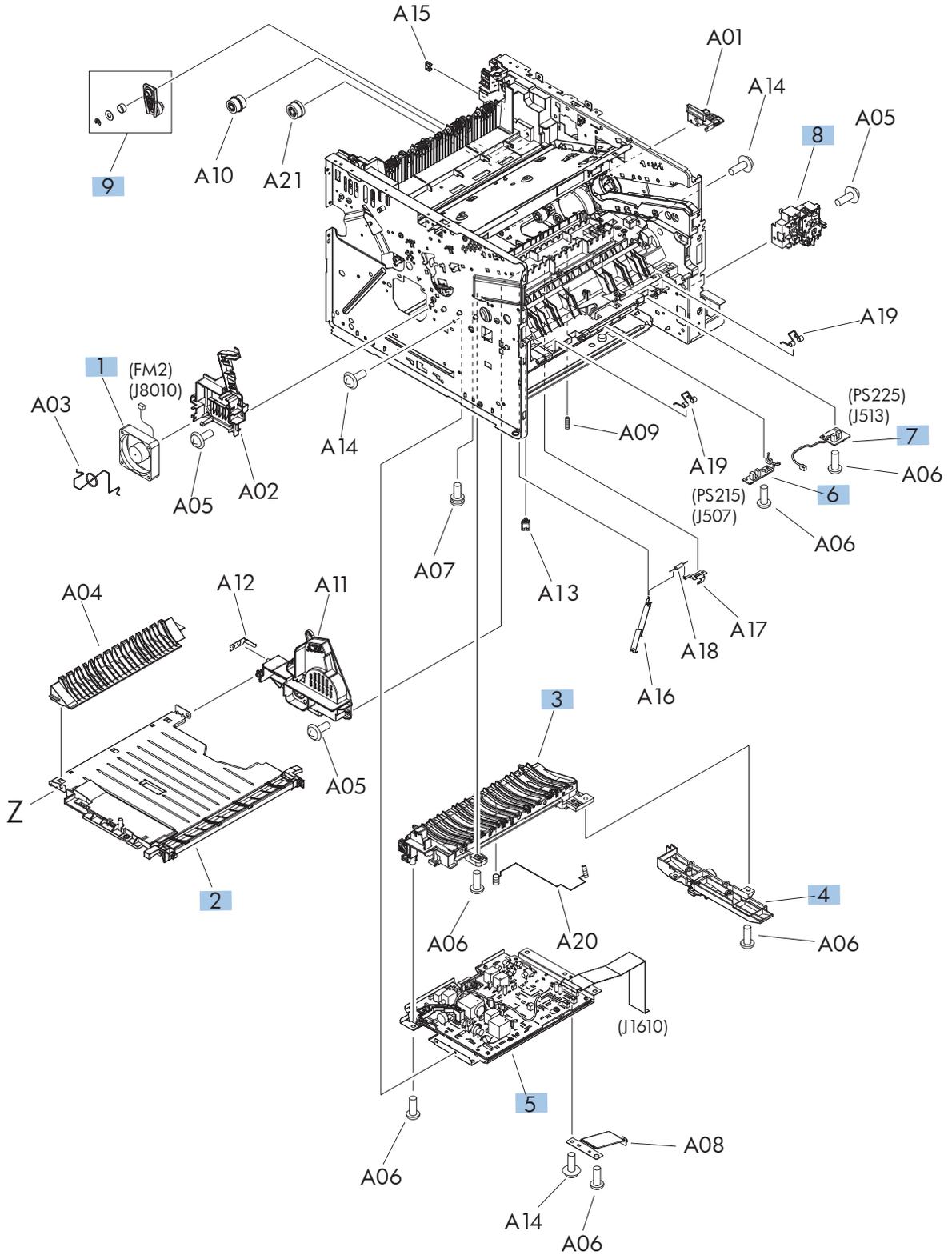


**Table 2-12 Internal assemblies (3 of 6)**

<b>Ref</b>	<b>Description</b>	<b>Part number</b>	<b>Qty</b>
1	Registration roller assembly	RM1-8507-000CN	1
2	Roller, multipurpose	RL1-2412-000CN	1
3	Transfer lower guide assembly	RM1-6315-000CN	1
4	Cassette, Tray 2	RM1-8512-000CN	1
5	Base-plate roller assembly	RM1-6306-000CN	4
6	Roller, transfer	RM1-6321-000CN	1
7	Pad, multipurpose separation	RC2-8575-000CN	1
8	Separation holder assembly	RM1-6303-000CN	1

# Internal assemblies (4 of 6)

Figure 2-10 Internal assemblies (4 of 6)

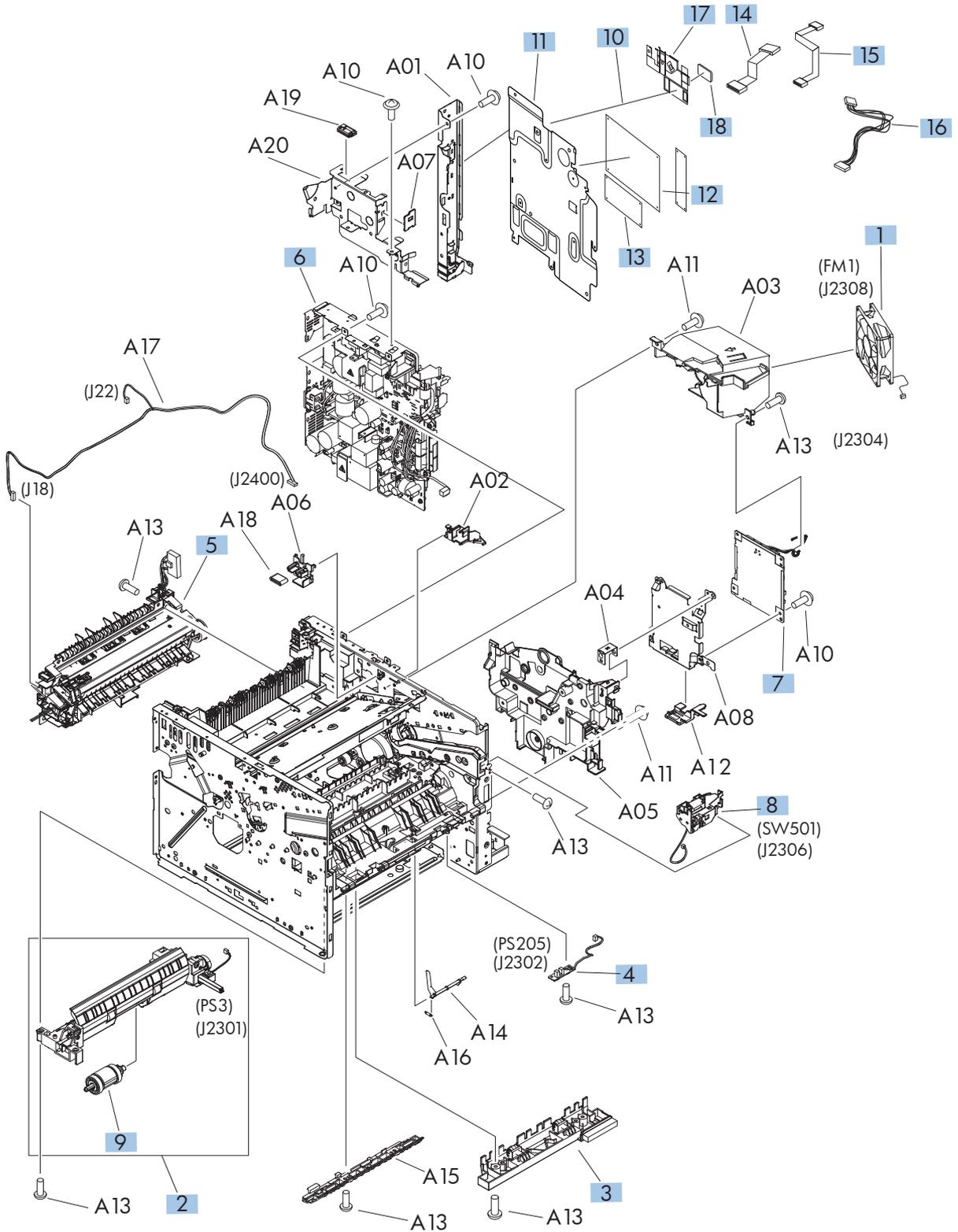


**Table 2-13 Internal assemblies (4 of 6)**

<b>Ref</b>	<b>Description</b>	<b>Part number</b>	<b>Qty</b>
1	Fan, sub	RK2-1499-000CN	1
2	Lower paper feed guide	RM1-6263-000CN	1
3	Paper-feed guide assembly	RM1-6270-000CN	1
4	Position-guide assembly	RM1-6273-000CN	1
5	High-voltage power supply (HVPS) PCA	RM1-8519-000CN	1
6	Top sensor PCA	RM1-8617-000CN	1
7	Paper-width sensor PCA	RM1-8618-000CN	1
8	Switch assembly	RM1-8515-000CN	1
9	Pendulum service kit	RM1-6598-000CN	1

# Internal assemblies (5 of 6)

Figure 2-11 Internal assemblies (5 of 6)

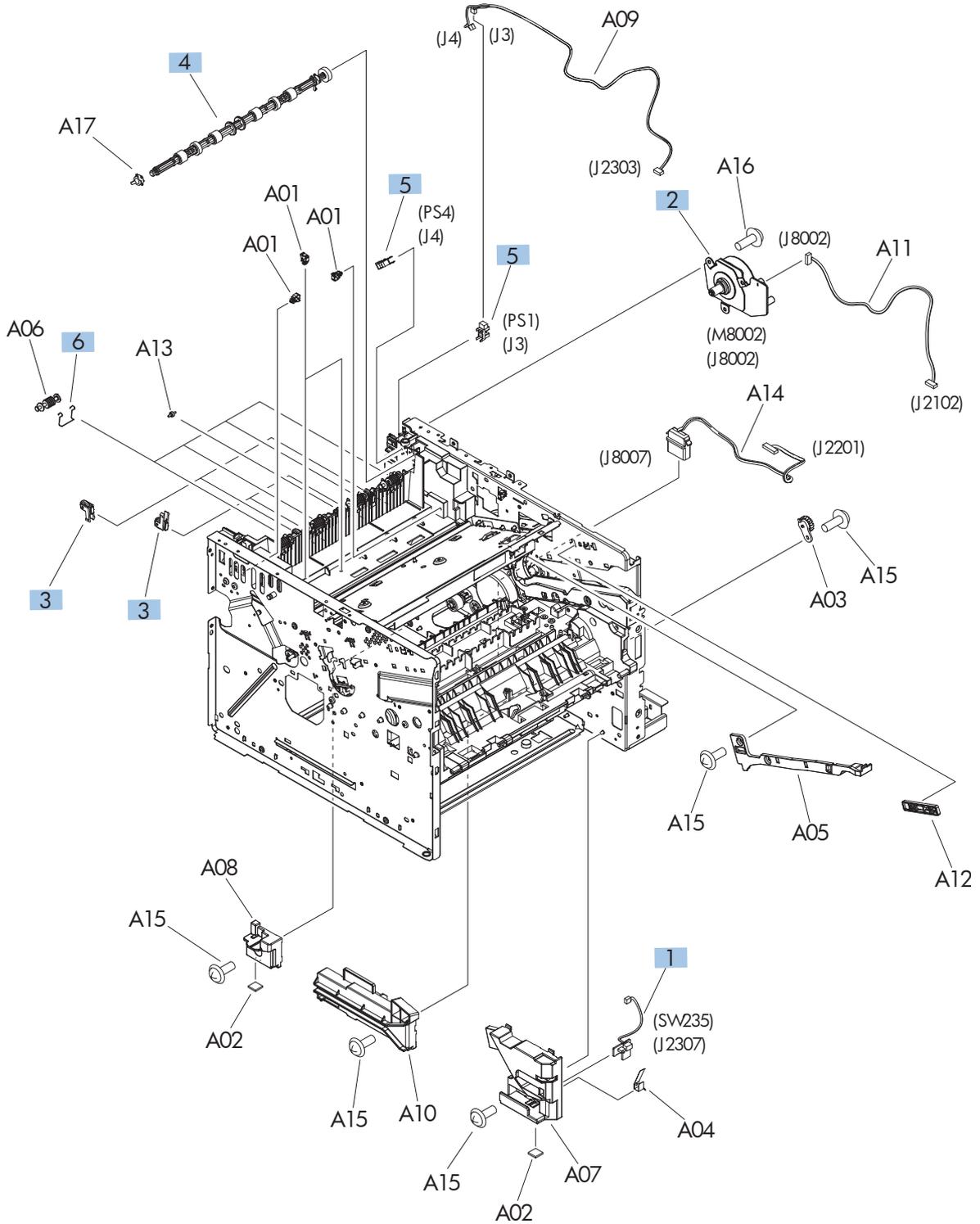


**Table 2-14 Internal assemblies (5 of 6)**

<b>Ref</b>	<b>Description</b>	<b>Part number</b>	<b>Qty</b>
1	Fan, main	RK2-2416-000CN	1
2	Tray 2, paper pickup assembly	RM1-8505-000CN	1
3	Idler roller assembly	RM1-8506-000CN	1
4	Multipurpose sensor PCA	RM1-8621-000CN	1
5	Fuser assembly	RM1-8508-000CN	1
6	Low-voltage power supply (LVPS) assembly	RM1-8514-000CN	1
7	DC controller PCA	RM1-8615-000CN	1
8	Interlock-switch assembly	RM1-8499-000CN	1
9	Assembly, cassette pick up roller (Tray 2 & 3 pickup roller)	RM1-6323-000CN	1
10	Formatter, standard	A8P80-60001	1
10	Formatter, China only	A8P79-60003	1
11	2 ports stay-FMTR	A8P79-00015	1
12	ICB	A8P79-60002	1
A01	I/O Plate, 2 ports	A8P79-00016	1
13	Fax PCA, U.S.	CF206-60001	1
13	Fax PCA, Europe	CF207-60001	1
13	Fax PCA, Brazil	CF208-60001	1
14	Fax, cable	A8P79-60105	1
15	Video FFC, ICB to formatter	A8P79-60128	1
16	Power cable, ICB to formatter	A8P79-60101	1
17	Guide, FFC	A8P79-40013	1
18	Ferrite core	9170-2640	1

# Internal assemblies (6 of 6)

Figure 2-12 Internal assemblies (6 of 6)



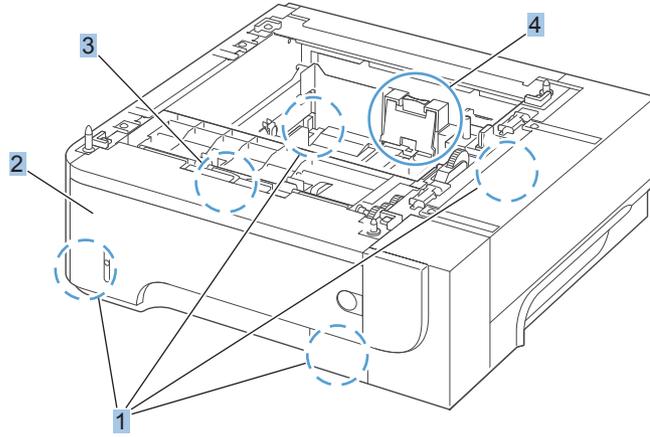
**Table 2-15 Internal assemblies (6 of 6)**

<b>Ref</b>	<b>Description</b>	<b>Part number</b>	<b>Qty</b>
1	Tray sensor PCA	RM1-8620-000CN	1
2	Fuser motor assembly	RM1-8523-000CN	1
3	Paper-delivery roller assembly	RM1-6301-000CN	4
4	Face-down roller assembly	RM1-6311-000CN	1
5	Photo interrupter, IC	WG8-5935-000CN	2
6	Spring, torsion	RC2-8554-000CN	1

# Input devices

## 500-sheet input tray (Tray 3)

Figure 2-13 500-sheet input tray (Tray 3)



**Table 2-16 500-sheet input tray (Tray 3)**

<b>Ref</b>	<b>Description</b>	<b>Part number</b>	<b>Qty</b>
1	Optional 500-sheet tray and feeder unit	CE530-69001	1
2	Base-plate roller assembly	RM1-6306-000CN	4
3	Separation holder assembly	RM1-6303-000CN	1
4	Cassette, Tray 3	RM1-6279-000CN	1

# Alphabetical parts list

**Table 2-17 Alphabetical parts list**

<b>Description</b>	<b>Part number</b>	<b>Table and page</b>
2 ports stay-FMTR	A8P79-00015	<a href="#">Internal assemblies (5 of 6) on page 163</a>
ADF assembly	A8P79-60120	<a href="#">Document feeder and scanner assemblies on page 149</a>
ADF assembly	A8P79-60120	<a href="#">Document feeder assemblies on page 153</a>
ADF hinge assembly, left	CZ271-60020	<a href="#">Document feeder assemblies on page 153</a>
ADF hinge assembly, right	A8P79-60011	<a href="#">Document feeder assemblies on page 153</a>
ADF roller maintenance kit	A8P79-65001	<a href="#">Document feeder assemblies on page 153</a>
ADF separation pad maintenance kit	A8P79-65010	<a href="#">Document feeder assemblies on page 153</a>
ADF whole unit kit	A8P79-65014	<a href="#">Document feeder assemblies on page 153</a>
Assembly, cassette pick up roller (Tray 2 & 3 pickup roller)	RM1-6323-000CN	<a href="#">Internal assemblies (5 of 6) on page 163</a>
Base-plate roller assembly	RM1-6306-000CN	<a href="#">Internal assemblies (3 of 6) on page 159</a>
Base-plate roller assembly	RM1-6306-000CN	<a href="#">500-sheet input tray (Tray 3) on page 167</a>
Cable, flat	RK2-4218-000CN	<a href="#">Internal assemblies (1 of 6) on page 155</a>
Cassette, Tray 2	RM1-8512-000CN	<a href="#">Internal assemblies (3 of 6) on page 159</a>
Cassette, Tray 3	RM1-6279-000CN	<a href="#">500-sheet input tray (Tray 3) on page 167</a>
Control-panel assembly	A8P79-60115	<a href="#">Document feeder and scanner assemblies on page 149</a>
Control-panel assembly	A8P79-60115	<a href="#">Control-panel assembly on page 151</a>
Control-panel FFC	A8P79-60106	<a href="#">Control-panel assembly on page 151</a>
Cover kit, Tray 1	A8P80-65010	<a href="#">Covers on page 147</a>
Cover, dummy	RC3-1920-000CN	<a href="#">Covers on page 147</a>
Cover, formatter	RC3-1863-010CN	<a href="#">Covers on page 147</a>

**Table 2-17 Alphabetical parts list (continued)**

<b>Description</b>	<b>Part number</b>	<b>Table and page</b>
Cover, handle, right	RC2-7675-000CN	<a href="#">Covers on page 147</a>
Cover, left assembly	RM1-8517-000CN	<a href="#">Covers on page 147</a>
Cover, rear assembly	RM1-8518-000CN	<a href="#">Covers on page 147</a>
Cover, right assembly	RM1-8498-000CN	<a href="#">Covers on page 147</a>
Cover, right rear	RC2-7673-000CN	<a href="#">Covers on page 147</a>
Cover, top assembly	RM1-8516-000CN	<a href="#">Covers on page 147</a>
DC controller PCA	RM1-8615-000CN	<a href="#">Internal assemblies (5 of 6) on page 163</a>
Door, cartridge assembly	RM1-8502-000CN	<a href="#">Covers on page 147</a>
Face-down roller assembly	RM1-6311-000CN	<a href="#">Internal assemblies (6 of 6) on page 165</a>
Fan, main	RK2-2416-000CN	<a href="#">Internal assemblies (5 of 6) on page 163</a>
Fan, sub	RK2-1499-000CN	<a href="#">Internal assemblies (4 of 6) on page 161</a>
Fax PCA, Brazil	CF208-60001	<a href="#">Internal assemblies (5 of 6) on page 163</a>
Fax PCA, Europe	CF207-60001	<a href="#">Internal assemblies (5 of 6) on page 163</a>
Fax PCA, U.S.	CF206-60001	<a href="#">Internal assemblies (5 of 6) on page 163</a>
Fax, cable	A8P79-60105	<a href="#">Internal assemblies (5 of 6) on page 163</a>
Ferrite core	9170-2640	<a href="#">Internal assemblies (5 of 6) on page 163</a>
Formatter, China only	A8P79-60003	<a href="#">Internal assemblies (5 of 6) on page 163</a>
Formatter, standard	A8P80-60001	<a href="#">Internal assemblies (5 of 6) on page 163</a>
Fuser assembly	RM1-8508-000CN	<a href="#">Internal assemblies (5 of 6) on page 163</a>
Fuser motor assembly	RM1-8523-000CN	<a href="#">Internal assemblies (6 of 6) on page 165</a>
Guide, FFC	A8P79-40013	<a href="#">Internal assemblies (5 of 6) on page 163</a>
High-voltage power supply (HVPS) PCA	RM1-8519-000CN	<a href="#">Internal assemblies (4 of 6) on page 161</a>
I/O Plate, 2 ports	A8P79-00016	<a href="#">Internal assemblies (5 of 6) on page 163</a>

**Table 2-17 Alphabetical parts list (continued)**

<b>Description</b>	<b>Part number</b>	<b>Table and page</b>
ICB	A8P79-60002	<a href="#">Internal assemblies (5 of 6) on page 163</a>
Idler roller assembly	RM1-8506-000CN	<a href="#">Internal assemblies (5 of 6) on page 163</a>
Interlock-switch assembly	RM1-8499-000CN	<a href="#">Internal assemblies (5 of 6) on page 163</a>
Laser/scanner	RM1-6322-000CN	<a href="#">Internal assemblies (1 of 6) on page 155</a>
Low-voltage power supply (LVPS) assembly	RM1-8514-000CN	<a href="#">Internal assemblies (5 of 6) on page 163</a>
Lower paper feed guide	RM1-6263-000CN	<a href="#">Internal assemblies (4 of 6) on page 161</a>
Multipurpose lifting plate assembly	RM1-6325-000CN	<a href="#">Covers on page 147</a>
Multipurpose sensor PCA	RM1-8621-000CN	<a href="#">Internal assemblies (5 of 6) on page 163</a>
Optional 500-sheet tray and feeder unit	CE530-69001	<a href="#">500-sheet input tray (Tray 3) on page 167</a>
Pad, multipurpose separation	RC2-8575-000CN	<a href="#">Internal assemblies (3 of 6) on page 159</a>
Paper-delivery roller assembly	RM1-6301-000CN	<a href="#">Internal assemblies (6 of 6) on page 165</a>
Paper-feed guide assembly	RM1-6270-000CN	<a href="#">Internal assemblies (4 of 6) on page 161</a>
Paper-width sensor PCA	RM1-8618-000CN	<a href="#">Internal assemblies (4 of 6) on page 161</a>
Pendulum service kit	RM1-6598-000CN	<a href="#">Internal assemblies (4 of 6) on page 161</a>
Photo interrupter, IC	WG8-5935-000CN	<a href="#">Internal assemblies (1 of 6) on page 155</a>
Photo interrupter, IC	WG8-5935-000CN	<a href="#">Internal assemblies (6 of 6) on page 165</a>
Position-guide assembly	RM1-6273-000CN	<a href="#">Internal assemblies (4 of 6) on page 161</a>
Power cable, ICB to formatter	A8P79-60101	<a href="#">Internal assemblies (5 of 6) on page 163</a>
Registration roller assembly	RM1-8507-000CN	<a href="#">Internal assemblies (3 of 6) on page 159</a>
Roller, multipurpose	RL1-2412-000CN	<a href="#">Internal assemblies (3 of 6) on page 159</a>

**Table 2-17 Alphabetical parts list (continued)**

<b>Description</b>	<b>Part number</b>	<b>Table and page</b>
Roller, transfer	RM1-6321-000CN	<a href="#">Internal assemblies (3 of 6) on page 159</a>
Scanner assembly	A8P79-60121	<a href="#">Document feeder and scanner assemblies on page 149</a>
Sensor, environmental PCA	RM1-8622-000CN	<a href="#">Internal assemblies (1 of 6) on page 155</a>
Separation holder assembly	RM1-6303-000CN	<a href="#">Internal assemblies (3 of 6) on page 159</a>
Separation holder assembly	RM1-6303-000CN	<a href="#">500-sheet input tray (Tray 3) on page 167</a>
Spring, torsion	RC2-8554-000CN	<a href="#">Internal assemblies (6 of 6) on page 165</a>
Stopper, bushing arm	RC2-7928-000CN	<a href="#">Internal assemblies (1 of 6) on page 155</a>
Switch assembly	RM1-8515-000CN	<a href="#">Internal assemblies (4 of 6) on page 161</a>
Tag holder assembly	RM1-8521-000CN	<a href="#">Internal assemblies (1 of 6) on page 155</a>
Top sensor PCA	RM1-8617-000CN	<a href="#">Internal assemblies (4 of 6) on page 161</a>
Transfer lower guide assembly	RM1-6315-000CN	<a href="#">Internal assemblies (3 of 6) on page 159</a>
Tray 2, paper pickup assembly	RM1-8505-000CN	<a href="#">Internal assemblies (5 of 6) on page 163</a>
Tray sensor PCA	RM1-8620-000CN	<a href="#">Internal assemblies (6 of 6) on page 165</a>
Tray 1 solenoid	RK2-1490-000CN	<a href="#">Internal assemblies (2 of 6) on page 157</a>
Tray 2 solenoid	RK2-1492-000CN	<a href="#">Internal assemblies (2 of 6) on page 157</a>
USB cable	A8P79-60102	<a href="#">Control-panel assembly on page 151</a>
USB PCA	CF368-60001	<a href="#">Control-panel assembly on page 151</a>
Video FFC, ICB to formatter	A8P79-60128	<a href="#">Internal assemblies (5 of 6) on page 163</a>
Wi-Fi cable	A8P80-60101	<a href="#">Document feeder and scanner assemblies on page 149</a>
Wi-Fi module	1150-7957	<a href="#">Document feeder and scanner assemblies on page 149</a>

# Numerical parts list

**Table 2-18 Numerical parts list**

Part number	Description	Table and page
1150-7957	Wi-Fi module	<a href="#">Document feeder and scanner assemblies on page 149</a>
9170-2640	Ferrite core	<a href="#">Internal assemblies (5 of 6) on page 163</a>
A8P79-00015	2 ports stay-FMTR	<a href="#">Internal assemblies (5 of 6) on page 163</a>
A8P79-00016	I/O Plate, 2 ports	<a href="#">Internal assemblies (5 of 6) on page 163</a>
A8P79-40013	Guide, FFC	<a href="#">Internal assemblies (5 of 6) on page 163</a>
A8P79-60002	ICB	<a href="#">Internal assemblies (5 of 6) on page 163</a>
A8P79-60003	Formatter, China only	<a href="#">Internal assemblies (5 of 6) on page 163</a>
A8P79-60011	ADF hinge assembly, right	<a href="#">Document feeder assemblies on page 153</a>
A8P79-60101	Power cable, ICB to formatter	<a href="#">Internal assemblies (5 of 6) on page 163</a>
A8P79-60102	USB cable	<a href="#">Control-panel assembly on page 151</a>
A8P79-60105	Fax, cable	<a href="#">Internal assemblies (5 of 6) on page 163</a>
A8P79-60106	Control-panel FFC	<a href="#">Control-panel assembly on page 151</a>
A8P79-60115	Control-panel assembly	<a href="#">Document feeder and scanner assemblies on page 149</a>
A8P79-60115	Control-panel assembly	<a href="#">Control-panel assembly on page 151</a>
A8P79-60120	ADF assembly	<a href="#">Document feeder and scanner assemblies on page 149</a>
A8P79-60120	ADF assembly	<a href="#">Document feeder assemblies on page 153</a>
A8P79-60121	Scanner assembly	<a href="#">Document feeder and scanner assemblies on page 149</a>
A8P79-60128	Video FFC, ICB to formatter	<a href="#">Internal assemblies (5 of 6) on page 163</a>
A8P79-65001	ADF roller maintenance kit	<a href="#">Document feeder assemblies on page 153</a>

**Table 2-18 Numerical parts list (continued)**

<b>Part number</b>	<b>Description</b>	<b>Table and page</b>
A8P79-65010	ADF separation pad maintenance kit	<a href="#">Document feeder assemblies on page 153</a>
A8P79-65014	ADF whole unit kit	<a href="#">Document feeder assemblies on page 153</a>
A8P80-60001	Formatter, standard	<a href="#">Internal assemblies (5 of 6) on page 163</a>
A8P80-60101	Wi-Fi cable	<a href="#">Document feeder and scanner assemblies on page 149</a>
A8P80-65010	Cover kit, Tray 1	<a href="#">Covers on page 147</a>
CE530-69001	Optional 500-sheet tray and feeder unit	<a href="#">500-sheet input tray (Tray 3) on page 167</a>
CF206-60001	Fax PCA, U.S.	<a href="#">Internal assemblies (5 of 6) on page 163</a>
CF207-60001	Fax PCA, Europe	<a href="#">Internal assemblies (5 of 6) on page 163</a>
CF208-60001	Fax PCA, Brazil	<a href="#">Internal assemblies (5 of 6) on page 163</a>
CF368-60001	USB PCA	<a href="#">Control-panel assembly on page 151</a>
CZ271-60020	ADF hinge assembly, left	<a href="#">Document feeder assemblies on page 153</a>
RC2-7673-000CN	Cover, right rear	<a href="#">Covers on page 147</a>
RC2-7675-000CN	Cover, handle, right	<a href="#">Covers on page 147</a>
RC2-7928-000CN	Stopper, bushing arm	<a href="#">Internal assemblies (1 of 6) on page 155</a>
RC2-8554-000CN	Spring, torsion	<a href="#">Internal assemblies (6 of 6) on page 165</a>
RC2-8575-000CN	Pad, multipurpose separation	<a href="#">Internal assemblies (3 of 6) on page 159</a>
RC3-1863-010CN	Cover, formatter	<a href="#">Covers on page 147</a>
RC3-1920-000CN	Cover, dummy	<a href="#">Covers on page 147</a>
RK2-1490-000CN	Tray 1 solenoid	<a href="#">Internal assemblies (2 of 6) on page 157</a>
RK2-1492-000CN	Tray 2 solenoid	<a href="#">Internal assemblies (2 of 6) on page 157</a>
RK2-1499-000CN	Fan, sub	<a href="#">Internal assemblies (4 of 6) on page 161</a>
RK2-2416-000CN	Fan, main	<a href="#">Internal assemblies (5 of 6) on page 163</a>

**Table 2-18 Numerical parts list (continued)**

<b>Part number</b>	<b>Description</b>	<b>Table and page</b>
RK2-4218-000CN	Cable, flat	<a href="#">Internal assemblies (1 of 6) on page 155</a>
RL1-2412-000CN	Roller, multipurpose	<a href="#">Internal assemblies (3 of 6) on page 159</a>
RM1-6263-000CN	Lower paper feed guide	<a href="#">Internal assemblies (4 of 6) on page 161</a>
RM1-6270-000CN	Paper-feed guide assembly	<a href="#">Internal assemblies (4 of 6) on page 161</a>
RM1-6273-000CN	Position-guide assembly	<a href="#">Internal assemblies (4 of 6) on page 161</a>
RM1-6279-000CN	Cassette, Tray 3	<a href="#">500-sheet input tray (Tray 3) on page 167</a>
RM1-6301-000CN	Paper-delivery roller assembly	<a href="#">Internal assemblies (6 of 6) on page 165</a>
RM1-6303-000CN	Separation holder assembly	<a href="#">Internal assemblies (3 of 6) on page 159</a>
RM1-6303-000CN	Separation holder assembly	<a href="#">500-sheet input tray (Tray 3) on page 167</a>
RM1-6306-000CN	Base-plate roller assembly	<a href="#">Internal assemblies (3 of 6) on page 159</a>
RM1-6306-000CN	Base-plate roller assembly	<a href="#">500-sheet input tray (Tray 3) on page 167</a>
RM1-6311-000CN	Face-down roller assembly	<a href="#">Internal assemblies (6 of 6) on page 165</a>
RM1-6315-000CN	Transfer lower guide assembly	<a href="#">Internal assemblies (3 of 6) on page 159</a>
RM1-6321-000CN	Roller, transfer	<a href="#">Internal assemblies (3 of 6) on page 159</a>
RM1-6322-000CN	Laser/scanner	<a href="#">Internal assemblies (1 of 6) on page 155</a>
RM1-6323-000CN	Assembly, cassette pick up roller (Tray 2 & 3 pickup roller)	<a href="#">Internal assemblies (5 of 6) on page 163</a>
RM1-6325-000CN	Multipurpose lifting plate assembly	<a href="#">Covers on page 147</a>
RM1-6598-000CN	Pendulum service kit	<a href="#">Internal assemblies (4 of 6) on page 161</a>
RM1-8498-000CN	Cover, right assembly	<a href="#">Covers on page 147</a>
RM1-8499-000CN	Interlock-switch assembly	<a href="#">Internal assemblies (5 of 6) on page 163</a>
RM1-8502-000CN	Door, cartridge assembly	<a href="#">Covers on page 147</a>

**Table 2-18 Numerical parts list (continued)**

<b>Part number</b>	<b>Description</b>	<b>Table and page</b>
RM1-8505-000CN	Tray 2, paper pickup assembly	<a href="#">Internal assemblies (5 of 6) on page 163</a>
RM1-8506-000CN	Idler roller assembly	<a href="#">Internal assemblies (5 of 6) on page 163</a>
RM1-8507-000CN	Registration roller assembly	<a href="#">Internal assemblies (3 of 6) on page 159</a>
RM1-8508-000CN	Fuser assembly	<a href="#">Internal assemblies (5 of 6) on page 163</a>
RM1-8512-000CN	Cassette, Tray 2	<a href="#">Internal assemblies (3 of 6) on page 159</a>
RM1-8514-000CN	Low-voltage power supply (LVPS) assembly	<a href="#">Internal assemblies (5 of 6) on page 163</a>
RM1-8515-000CN	Switch assembly	<a href="#">Internal assemblies (4 of 6) on page 161</a>
RM1-8516-000CN	Cover, top assembly	<a href="#">Covers on page 147</a>
RM1-8517-000CN	Cover, left assembly	<a href="#">Covers on page 147</a>
RM1-8518-000CN	Cover, rear assembly	<a href="#">Covers on page 147</a>
RM1-8519-000CN	High-voltage power supply (HVPS) PCA	<a href="#">Internal assemblies (4 of 6) on page 161</a>
RM1-8521-000CN	Tag holder assembly	<a href="#">Internal assemblies (1 of 6) on page 155</a>
RM1-8523-000CN	Fuser motor assembly	<a href="#">Internal assemblies (6 of 6) on page 165</a>
RM1-8615-000CN	DC controller PCA	<a href="#">Internal assemblies (5 of 6) on page 163</a>
RM1-8617-000CN	Top sensor PCA	<a href="#">Internal assemblies (4 of 6) on page 161</a>
RM1-8618-000CN	Paper-width sensor PCA	<a href="#">Internal assemblies (4 of 6) on page 161</a>
RM1-8620-000CN	Tray sensor PCA	<a href="#">Internal assemblies (6 of 6) on page 165</a>
RM1-8621-000CN	Multipurpose sensor PCA	<a href="#">Internal assemblies (5 of 6) on page 163</a>
RM1-8622-000CN	Sensor, environmental PCA	<a href="#">Internal assemblies (1 of 6) on page 155</a>
WG8-5935-000CN	Photo interrupter, IC	<a href="#">Internal assemblies (6 of 6) on page 165</a>
WG8-5935-000CN	Photo interrupter, IC	<a href="#">Internal assemblies (1 of 6) on page 155</a>

