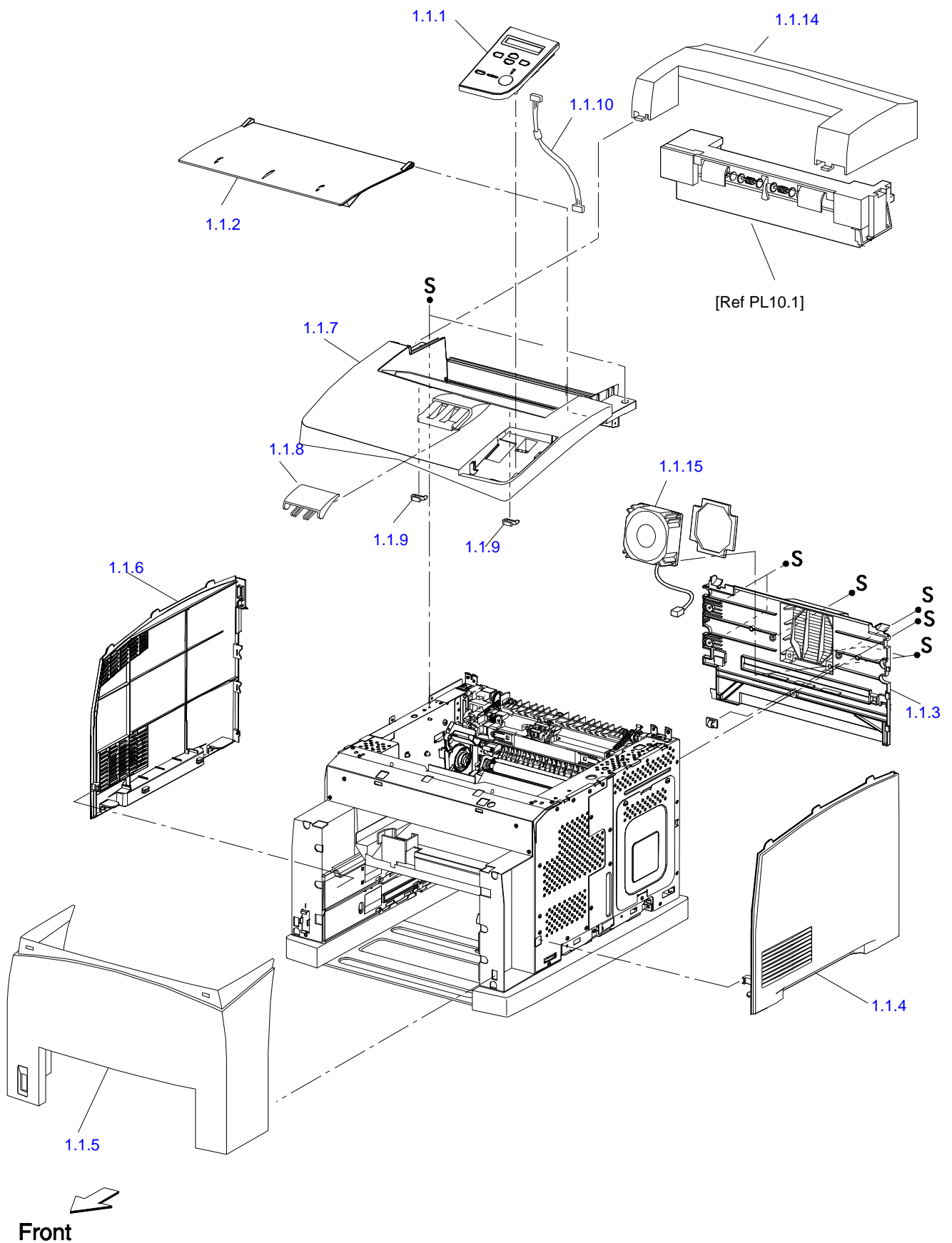
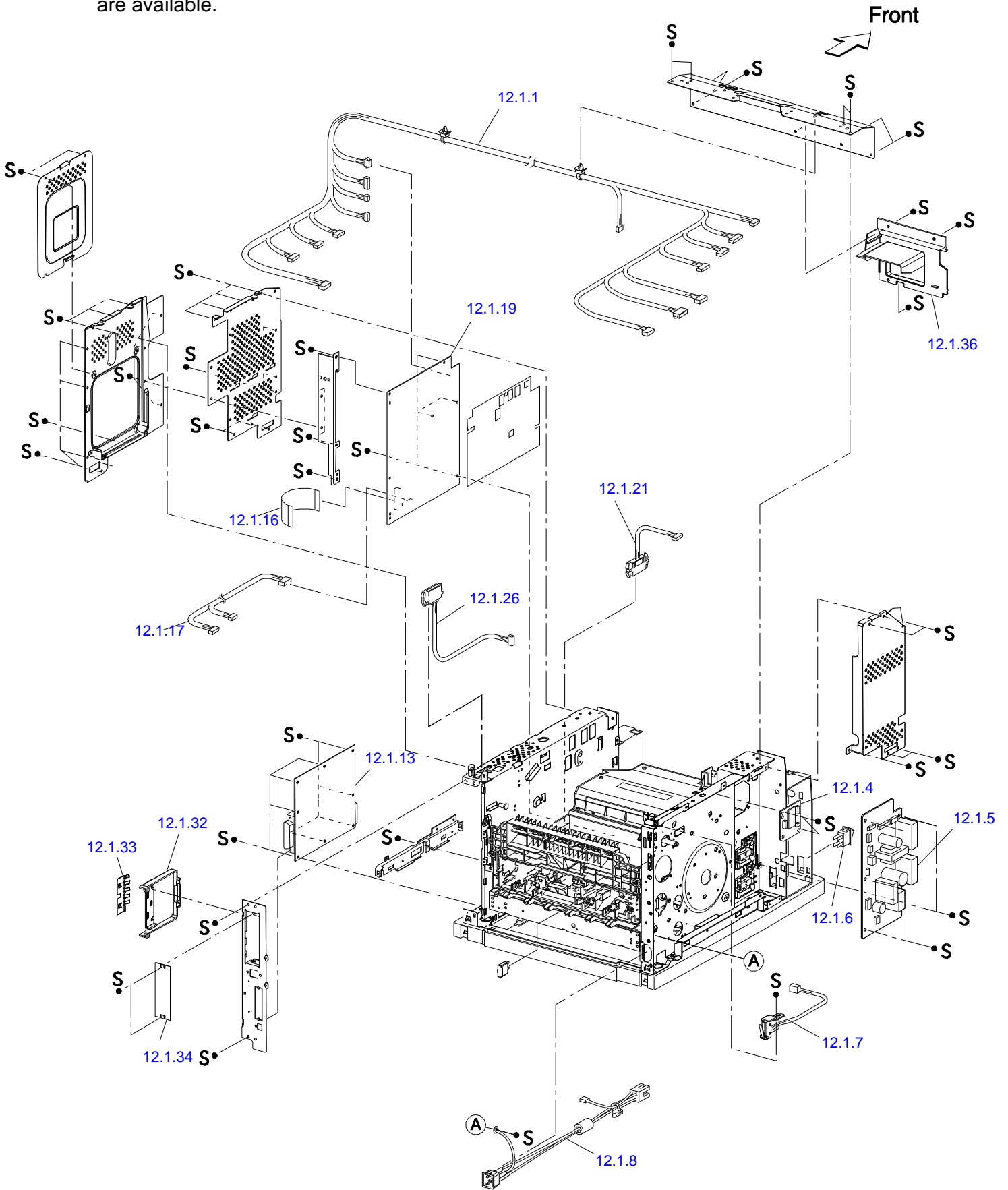


Only numbered Service Parts are available.



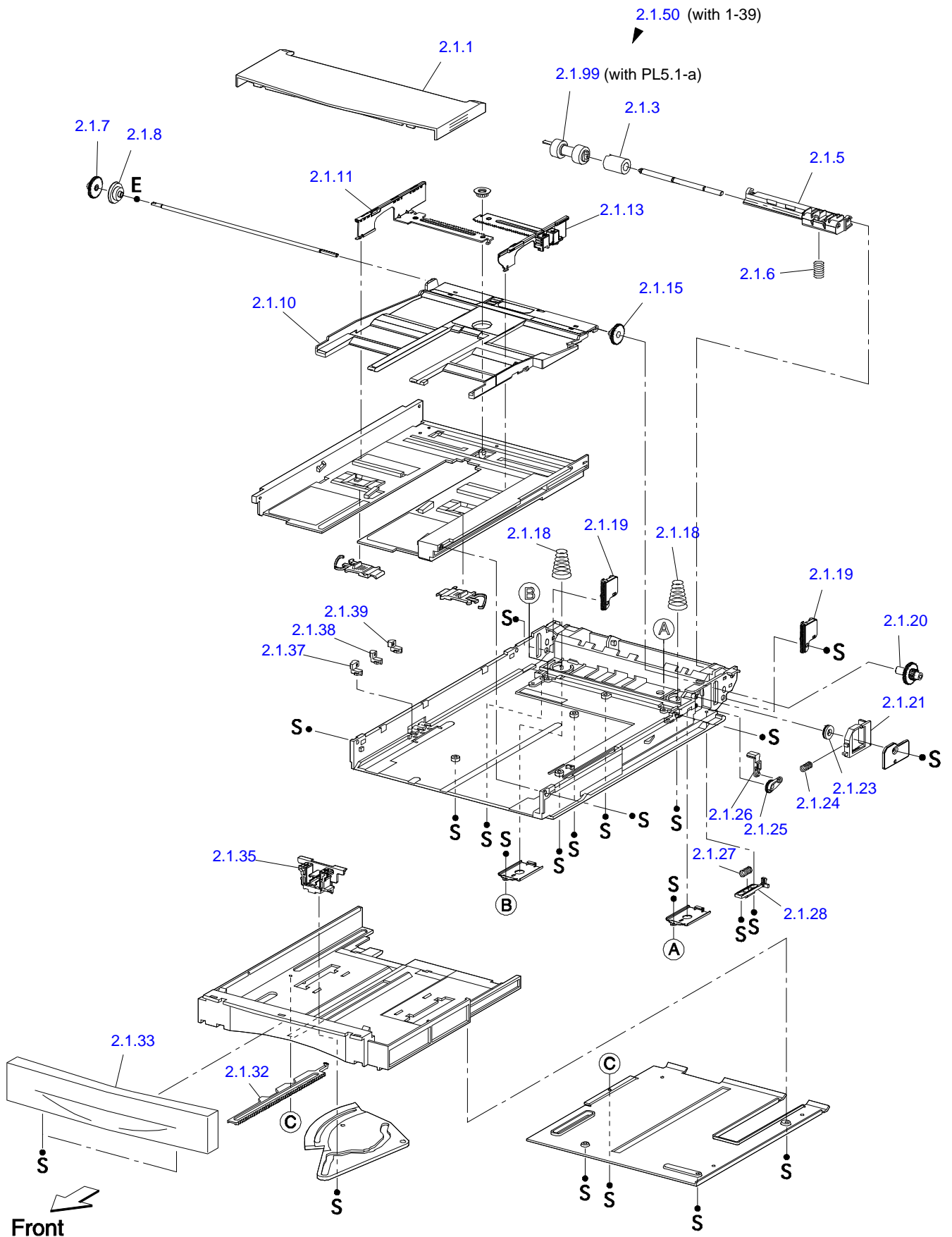
JG5014EA

Only numbered Service Parts are available.



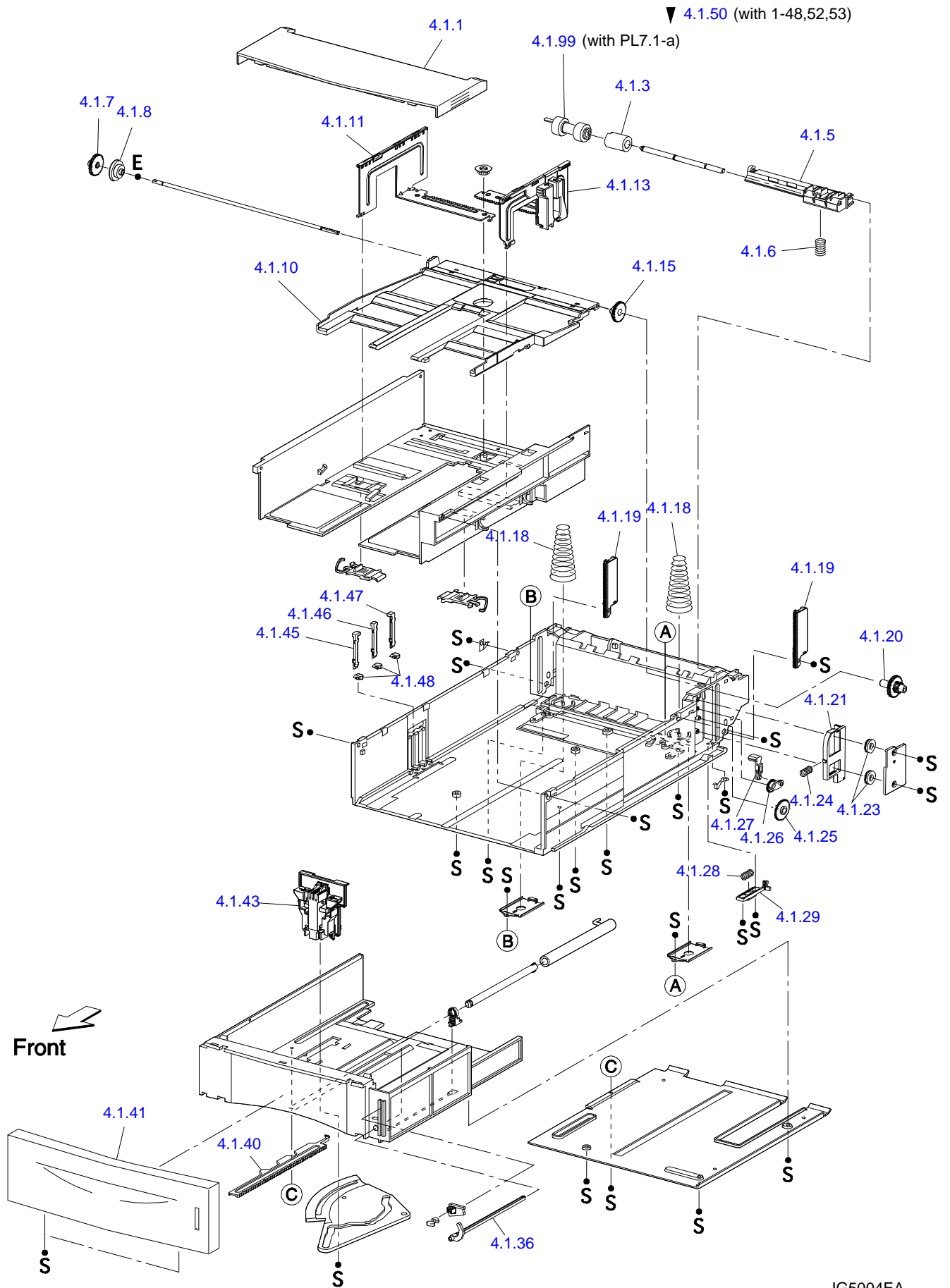
JG5018EA

Only numbered Service Parts are available.



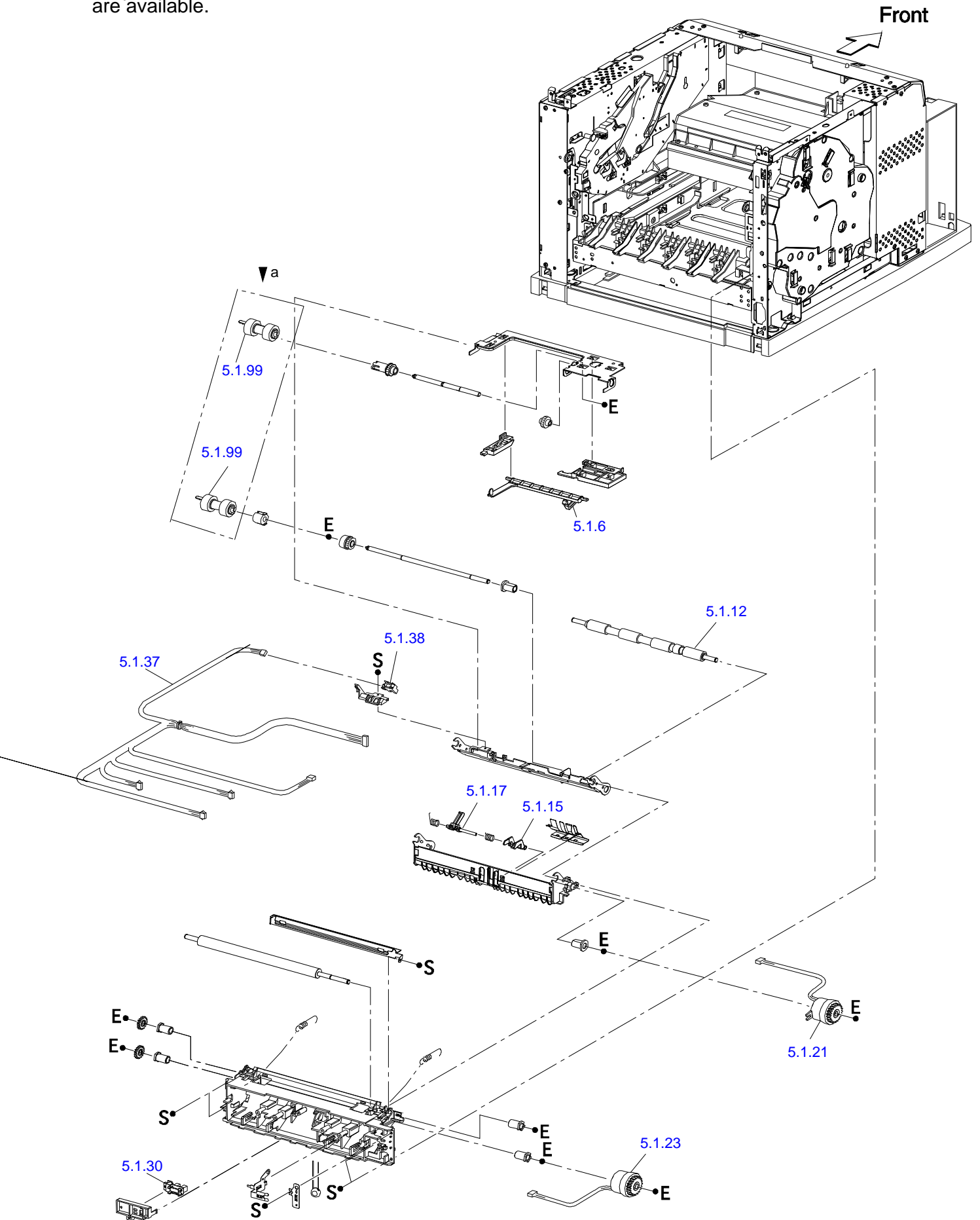
JG5002EA

Only numbered Service Parts  
are available.



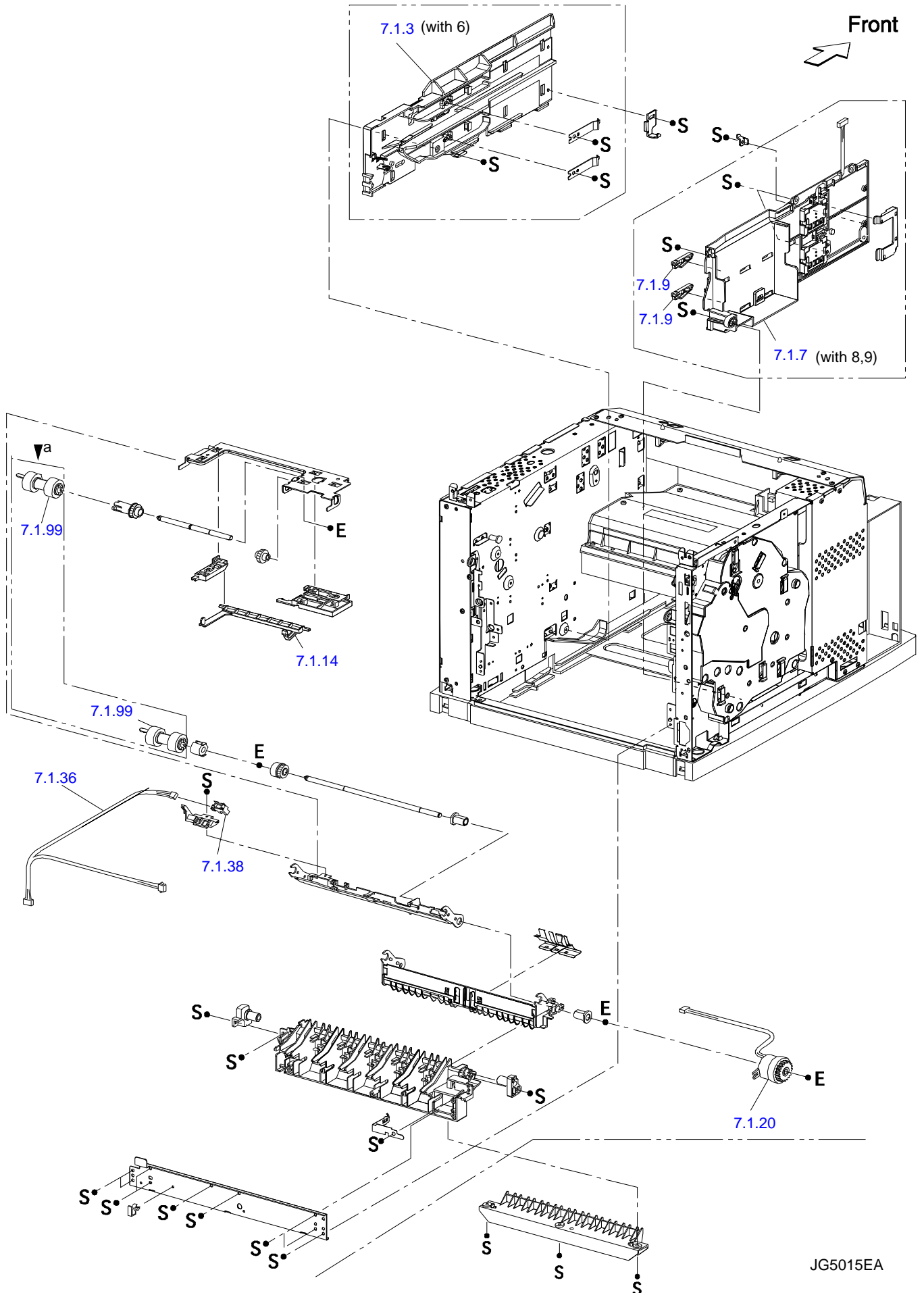
JG5004EA

Only numbered Service Parts are available.

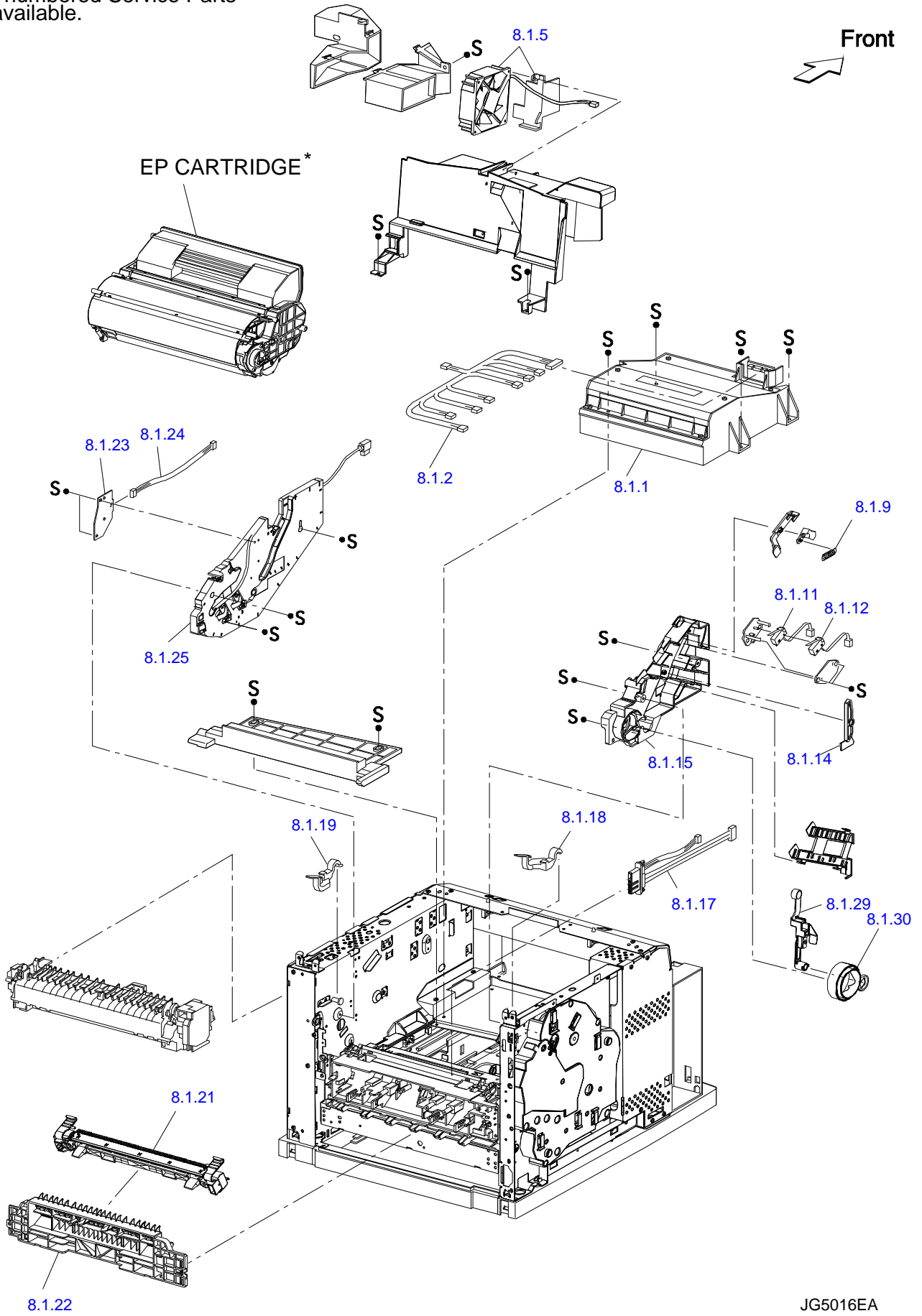


JG5019EA

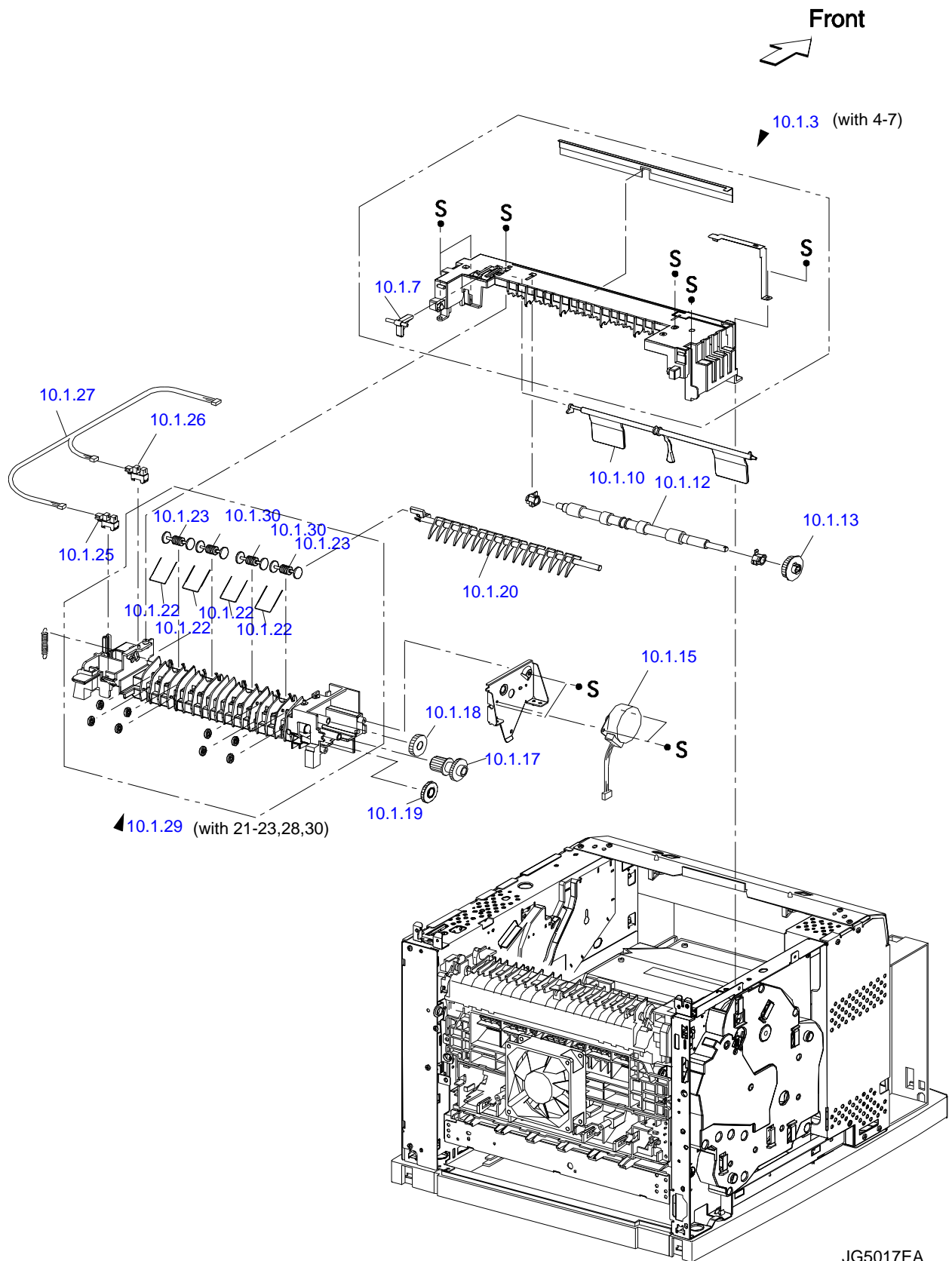
Only numbered Service Parts  
are available.



Only numbered Service Parts are available.



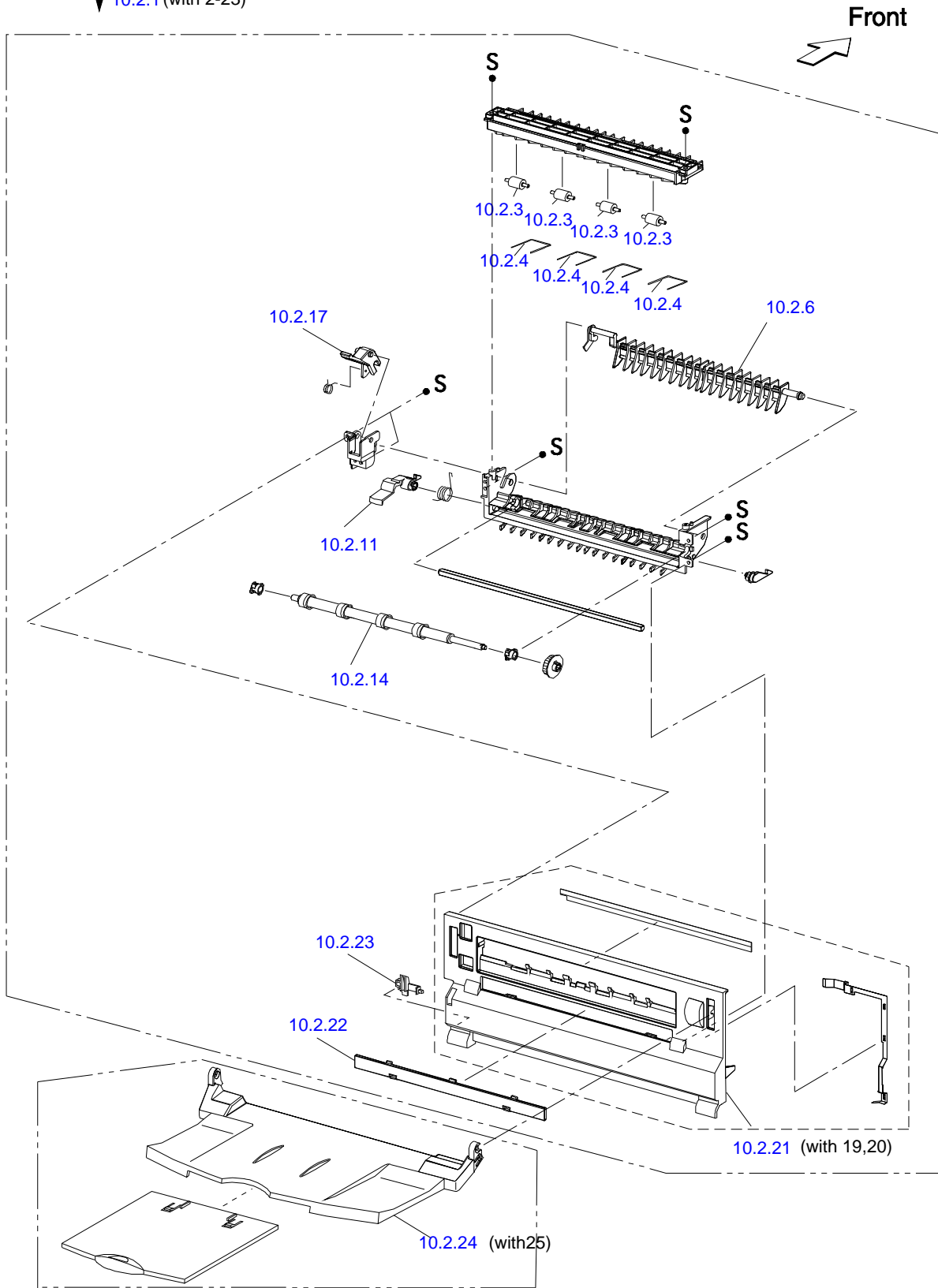
Only numbered Service Parts  
are available.





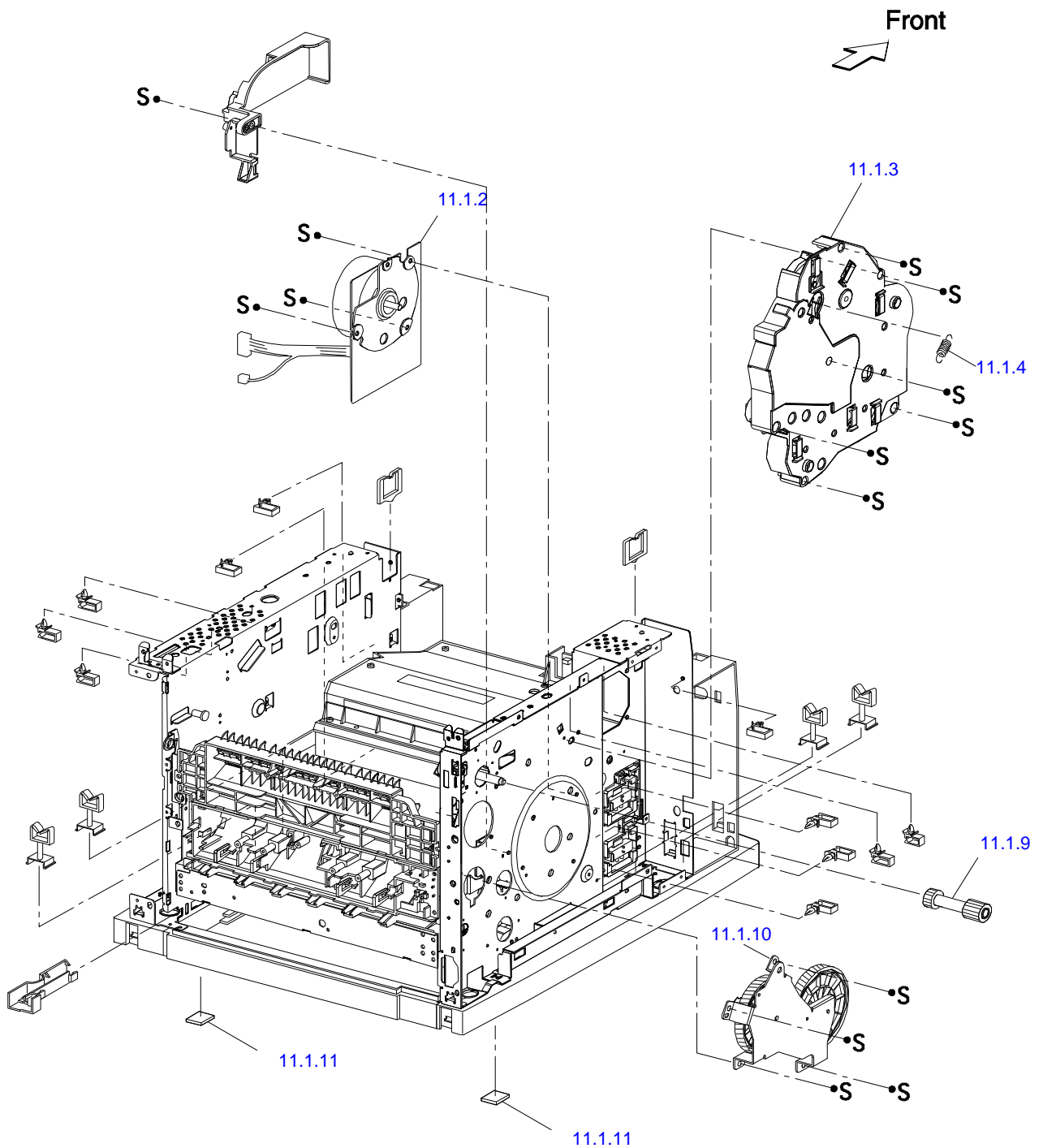
Only numbered Service Parts are available.

▼ 10.2.1 (with 2-23)



JG5702EA

Only numbered Service Parts are available.



JG5020EA

Part Code	Part Name	Ref No.	Category	Qty	Remark
<a href="#">3102943</a>	SOFTWARE CD,E	<a href="#">NON FIG</a>	Accessories	1	for EHK
<a href="#">4112535</a>	SETTING UP MANUAL	<a href="#">NON FIG</a>	Accessories	1	for EHK
<a href="#">2118796</a>	CONTROL PANEL	<a href="#">36892</a>	Case	1	
<a href="#">2118797</a>	HARNESS	<a href="#">40179</a>	Case	1	
<a href="#">1490821</a>	COVER EXIT 500	<a href="#">41640</a>	Case	1	
<a href="#">2121941</a>	FAN MAIN 80	<a href="#">42005</a>	Case	1	
<a href="#">1490814</a>	COVER OPEN	<a href="#">37257</a>	Case	1	
<a href="#">1490815</a>	COVER REAR	<a href="#">37622</a>	Case	1	
<a href="#">1495290</a>	COVER RIGHT	<a href="#">37987</a>	Case	1	
<a href="#">1490817</a>	COVER FRONT	<a href="#">38353</a>	Case	1	
<a href="#">1490818</a>	COVER LEFT	<a href="#">38718</a>	Case	1	
<a href="#">1490819</a>	COVER TOP	<a href="#">39083</a>	Case	1	
<a href="#">1490820</a>	COVER STOPPER	<a href="#">39448</a>	Case	1	
<a href="#">1062429</a>	STOPPER	<a href="#">39814</a>	Case	2	
<a href="#">2122302</a>	HARNESS ASSY LVPS	<a href="#">36903</a>	Electronic Parts	1	
<a href="#">2118794</a>	BOARD ASSY,MAIN	<a href="#">41286</a>	Electronic Parts	1	
<a href="#">2086946</a>	FFC ASSY ESS	<a href="#">42381</a>	Electronic Parts	1	
<a href="#">2122588</a>	HARNESS ASSY CHUTE	<a href="#">42747</a>	Electronic Parts	1	
<a href="#">2121951</a>	HVPS/MCU 220V	<a href="#">43477</a>	Electronic Parts	1	
<a href="#">2122589</a>	HARNESS ASSY FDR 1	<a href="#">44208</a>	Electronic Parts	1	
<a href="#">2109322</a>	HARNESS ASSY OCT 1	<a href="#">46034</a>	Electronic Parts	1	
<a href="#">1037269</a>	GUIDE RAIL TYPE-B	<a href="#">11700</a>	Electronic Parts	1	
<a href="#">1276214</a>	SPRING TYPE-B	<a href="#">12066</a>	Electronic Parts	1	
<a href="#">1276215</a>	SHIELD CONT OPTION	<a href="#">12431</a>	Electronic Parts	1	
<a href="#">1278889</a>	DUCT HIGH	<a href="#">13161</a>	Electronic Parts	1	
<a href="#">2109131</a>	PWBA EXIT MOTOR	<a href="#">37998</a>	Electronic Parts	1	
<a href="#">2121950</a>	LVPS 220V	<a href="#">38364</a>	Electronic Parts	1	
<a href="#">2082675</a>	POWER SWITCH	<a href="#">38729</a>	Electronic Parts	1	
<a href="#">2122303</a>	INTERLOCK S/W REAR	<a href="#">39094</a>	Electronic Parts	1	
<a href="#">2122304</a>	HARNESS ASSY AC 220V	<a href="#">39459</a>	Electronic Parts	1	
<a href="#">1490848</a>	ACTUATOR FULL STACK	<a href="#">40188</a>	Mechanism Parts	1	
<a href="#">1275228</a>	ROLL EXIT	<a href="#">40918</a>	Mechanism Parts	1	
<a href="#">1275229</a>	GEAR 21	<a href="#">41284</a>	Mechanism Parts	1	
<a href="#">2121947</a>	MOTOR ASSY EXIT	<a href="#">42014</a>	Mechanism Parts	1	
<a href="#">1275230</a>	GEAR 16/49	<a href="#">42745</a>	Mechanism Parts	1	
<a href="#">1275231</a>	GEAR 25-2	<a href="#">43110</a>	Mechanism Parts	1	
<a href="#">1275232</a>	GEAR 25-1	<a href="#">43475</a>	Mechanism Parts	1	
<a href="#">1275233</a>	GATE OCT EXIT	<a href="#">43840</a>	Mechanism Parts	1	
<a href="#">1408638</a>	SPRING PINCH EXIT	<a href="#">44571</a>	Mechanism Parts	4	
<a href="#">1408636</a>	ROLLER PINCH EXIT	<a href="#">44936</a>	Mechanism Parts	2	
<a href="#">2021773</a>	E.R.M. SENSOR	<a href="#">45667</a>	Mechanism Parts	1	
<a href="#">2021773</a>	E.R.M. SENSOR	<a href="#">46032</a>	Mechanism Parts	1	
<a href="#">2086933</a>	HARNESS ASSY EXIT SNR	<a href="#">46397</a>	Mechanism Parts	1	
<a href="#">1275735</a>	CHUTE LOW ASSY	<a href="#">47128</a>	Mechanism Parts	1	
<a href="#">2086930</a>	CHUTE ASSY EXIT UPPER	<a href="#">37631</a>	Mechanism Parts	1	
<a href="#">1408637</a>	ROLL PINCH OCT	<a href="#">10968</a>	Mechanism Parts	2	
<a href="#">1275226</a>	LINK GATE OCT	<a href="#">39092</a>	Mechanism Parts	1	
<a href="#">1490858</a>	COVER REAR 500 ASSY	<a href="#">36932</a>	Mechanism Parts	1	

<a href="#">1490860</a>	LEVER LATCH RIGHT	<a href="#">40584</a>	Mechanism Parts	1
<a href="#">1275261</a>	ROLL FU	<a href="#">41680</a>	Mechanism Parts	1
<a href="#">1490861</a>	LEVER GATE FU	<a href="#">42776</a>	Mechanism Parts	1
<a href="#">1490862</a>	COVER REAR 500	<a href="#">44237</a>	Mechanism Parts	1
<a href="#">1490863</a>	COVER DUP	<a href="#">44602</a>	Mechanism Parts	1
<a href="#">1275269</a>	STOPPER FSR	<a href="#">44967</a>	Mechanism Parts	1
<a href="#">1493388</a>	TRAY FU A4 ASSY	<a href="#">45332</a>	Mechanism Parts	1
<a href="#">1275256</a>	ROLL PINCH FU	<a href="#">37662</a>	Mechanism Parts	4
<a href="#">1275257</a>	SPRING PINCH FU	<a href="#">38027</a>	Mechanism Parts	4
<a href="#">1275258</a>	GATE FU	<a href="#">38758</a>	Mechanism Parts	1
<a href="#">1275276</a>	GEAR ASSY PLATE	<a href="#">40189</a>	Mechanism Parts	1
<a href="#">1275277</a>	FOOT	<a href="#">40554</a>	Mechanism Parts	2
<a href="#">2121948</a>	MAIN MOTOR45	<a href="#">37267</a>	Mechanism Parts	1
<a href="#">1275275</a>	GEAR ASSY HOUSING	<a href="#">37632</a>	Mechanism Parts	1
<a href="#">1246467</a>	SPRING RELEASE	<a href="#">37997</a>	Mechanism Parts	1
<a href="#">1277519</a>	GEAR 9	<a href="#">39824</a>	Mechanism Parts	1
<a href="#">1488759</a>	COVER CST	<a href="#">36893</a>	Mechanism Parts	1
<a href="#">1433072</a>	PLATE ASSY BTM	<a href="#">40180</a>	Mechanism Parts	1
<a href="#">1488761</a>	GUIDE ASSY SD L 150	<a href="#">40545</a>	Mechanism Parts	1
<a href="#">1490822</a>	GUIDE ASSY SD R 150	<a href="#">41276</a>	Mechanism Parts	1
<a href="#">1249143</a>	GEAR LOCK ONEWAY	<a href="#">42006</a>	Mechanism Parts	1
<a href="#">1433073</a>	SPRING BTM UP 150	<a href="#">43102</a>	Mechanism Parts	2
<a href="#">1249131</a>	PLATE GEAR LOCK 150	<a href="#">43467</a>	Mechanism Parts	2
<a href="#">1249103</a>	GEAR PB R	<a href="#">43832</a>	Mechanism Parts	1
<a href="#">1249132</a>	RACK BTM LOCK 150	<a href="#">44198</a>	Mechanism Parts	1
<a href="#">1249104</a>	GEAR LOCK PINION	<a href="#">44928</a>	Mechanism Parts	1
<a href="#">1249133</a>	SPRING BTM LOCK	<a href="#">45293</a>	Mechanism Parts	1
<a href="#">1249134</a>	GEAR LEVER LOCK	<a href="#">45659</a>	Mechanism Parts	1
<a href="#">1249135</a>	LEVER BTM LOCK	<a href="#">46024</a>	Mechanism Parts	1
<a href="#">1249137</a>	SPRING STOPPER GEAR	<a href="#">46389</a>	Mechanism Parts	1
<a href="#">1249136</a>	STOPPER GEAR	<a href="#">46754</a>	Mechanism Parts	1
<a href="#">1246285</a>	FRICTION CLUTCH	<a href="#">37623</a>	Mechanism Parts	1
<a href="#">1275140</a>	RACK SIZE	<a href="#">11690</a>	Mechanism Parts	1
<a href="#">1490824</a>	HANDLE EXTENSION 150	<a href="#">12056</a>	Mechanism Parts	1
<a href="#">1490825</a>	GUIDE ASSY END 150	<a href="#">12786</a>	Mechanism Parts	1
<a href="#">1275143</a>	LINK SW SIZE 1-150	<a href="#">13517</a>	Mechanism Parts	1
<a href="#">1275144</a>	LINK SW SIZE 2-150	<a href="#">13882</a>	Mechanism Parts	1
<a href="#">1275145</a>	LINK SW SIZE 3-150	<a href="#">14247</a>	Mechanism Parts	1
<a href="#">1403731</a>	HOLDER RETARD	<a href="#">38354</a>	Mechanism Parts	1
<a href="#">1488762</a>	150 PAPER CASSETTE	<a href="#">18265</a>	Mechanism Parts	1
<a href="#">1488760</a>	SPRING RETARD	<a href="#">38719</a>	Mechanism Parts	1
<a href="#">1249109</a>	GEAR PB L	<a href="#">39084</a>	Mechanism Parts	1
<a href="#">1249140</a>	GEAR BTM ONEWAY	<a href="#">39449</a>	Mechanism Parts	1
<a href="#">1246284</a>	KIT ROLL ASSY FEED	<a href="#">36162</a>	Mechanism Parts	1
<a href="#">1488759</a>	COVER CST	<a href="#">36895</a>	Mechanism Parts	1
<a href="#">1433072</a>	PLATE ASSY BTM	<a href="#">40182</a>	Mechanism Parts	1
<a href="#">1488765</a>	GUIDE ASSY SD L 550	<a href="#">40547</a>	Mechanism Parts	1
<a href="#">1490826</a>	GUIDE ASSY SD R 550	<a href="#">41278</a>	Mechanism Parts	1
<a href="#">1249143</a>	GEAR LOCK ONEWAY	<a href="#">42008</a>	Mechanism Parts	1
<a href="#">1433075</a>	SPRING BTM UP 550	<a href="#">43104</a>	Mechanism Parts	2

<a href="#">1249329</a>	PLATE GEAR LOCK 550	<a href="#">43469</a>	Mechanism Parts	2
<a href="#">1249103</a>	GEAR PB R	<a href="#">43834</a>	Mechanism Parts	1
<a href="#">1249330</a>	RACK BTM LOCK 550	<a href="#">44200</a>	Mechanism Parts	1
<a href="#">1249104</a>	GEAR LOCK PINION	<a href="#">44930</a>	Mechanism Parts	2
<a href="#">1249133</a>	SPRING BTM LOCK	<a href="#">45295</a>	Mechanism Parts	1
<a href="#">1275187</a>	GEAR BTM ROCK	<a href="#">45661</a>	Mechanism Parts	1
<a href="#">1249134</a>	GEAR LEVER LOCK	<a href="#">46026</a>	Mechanism Parts	1
<a href="#">1249135</a>	LEVER BTM LOCK	<a href="#">46391</a>	Mechanism Parts	1
<a href="#">1249137</a>	SPRING STOPPER GEAR	<a href="#">46756</a>	Mechanism Parts	1
<a href="#">1249136</a>	STOPPER GEAR	<a href="#">47122</a>	Mechanism Parts	1
<a href="#">1246285</a>	FRICTION CLUTCH	<a href="#">37625</a>	Mechanism Parts	1
<a href="#">1249331</a>	GUIDE INDICATOR 3	<a href="#">13153</a>	Mechanism Parts	1
<a href="#">1275140</a>	RACK SIZE	<a href="#">14614</a>	Mechanism Parts	1
<a href="#">1490828</a>	HANDLE EXTENSION 550	<a href="#">14980</a>	Mechanism Parts	1
<a href="#">1490829</a>	GUIDE ASSY END 550	<a href="#">15710</a>	Mechanism Parts	1
<a href="#">1249334</a>	LINK SW SIZE 1-550	<a href="#">16441</a>	Mechanism Parts	1
<a href="#">1249333</a>	LINK SW SIZE 2-550	<a href="#">16806</a>	Mechanism Parts	1
<a href="#">1249332</a>	LINK SW SIZE 3-550	<a href="#">17171</a>	Mechanism Parts	1
<a href="#">1275190</a>	LINK SW SIZE LOW	<a href="#">17536</a>	Mechanism Parts	3
<a href="#">1403731</a>	HOLDER RETARD	<a href="#">38356</a>	Mechanism Parts	1
<a href="#">1488763</a>	550 PAPER CASSETTE	<a href="#">18267</a>	Mechanism Parts	1
<a href="#">1488760</a>	SPRING RETARD	<a href="#">38721</a>	Mechanism Parts	1
<a href="#">1249109</a>	GEAR PB L	<a href="#">39086</a>	Mechanism Parts	1
<a href="#">1249140</a>	GEAR BTM ONEWAY	<a href="#">39451</a>	Mechanism Parts	1
<a href="#">1246284</a>	KIT ROLL ASSY FEED	<a href="#">36164</a>	Mechanism Parts	1
<a href="#">1490832</a>	ROLL REGI RUBBER	<a href="#">40913</a>	Mechanism Parts	1
<a href="#">1249113</a>	ACTUATOR A	<a href="#">42009</a>	Mechanism Parts	1
<a href="#">1249114</a>	ACTUATOR B	<a href="#">42740</a>	Mechanism Parts	1
<a href="#">2082538</a>	CLUTCH ASSY PH	<a href="#">44201</a>	Mechanism Parts	1
<a href="#">2082538</a>	CLUTCH ASSY PH	<a href="#">44931</a>	Mechanism Parts	1
<a href="#">2021773</a>	E.R.M. SENSOR	<a href="#">10963</a>	Mechanism Parts	1
<a href="#">2122293</a>	HARNESS ASSY TR	<a href="#">13520</a>	Mechanism Parts	1
<a href="#">2021773</a>	E.R.M. SENSOR	<a href="#">13885</a>	Mechanism Parts	1
<a href="#">1461456</a>	ACTUATOR NO PAPER	<a href="#">38722</a>	Mechanism Parts	1
<a href="#">1246284</a>	KIT ROLL ASSY FEED	<a href="#">36165</a>	Mechanism Parts	2
<a href="#">1461456</a>	ACTUATOR NO PAPER	<a href="#">41646</a>	Mechanism Parts	1
<a href="#">2082538</a>	CLUTCH ASSY PH	<a href="#">43837</a>	Mechanism Parts	1
<a href="#">2109305</a>	GUIDE TRAY R ASSY	<a href="#">37628</a>	Mechanism Parts	1
<a href="#">2122294</a>	HARNESS ASSY TRAY 2	<a href="#">13156</a>	Mechanism Parts	1
<a href="#">2021773</a>	E.R.M. SENSOR	<a href="#">13887</a>	Mechanism Parts	1
<a href="#">1461055</a>	GUIDE TRAY L ASSY	<a href="#">39089</a>	Mechanism Parts	1
<a href="#">1249171</a>	LOCK CST L	<a href="#">39820</a>	Mechanism Parts	2
<a href="#">1246284</a>	KIT ROLL ASSY FEED	<a href="#">36167</a>	Mechanism Parts	2
<a href="#">2121946</a>	ROS ASSY 45-1200	<a href="#">36899</a>	Mechanism Parts	1
<a href="#">2122295</a>	INTERLOCK S/W 24V	<a href="#">40551</a>	Mechanism Parts	1
<a href="#">2122296</a>	INTERLOCK S/W 5V	<a href="#">40916</a>	Mechanism Parts	1
<a href="#">1249174</a>	LEVER GUIDE	<a href="#">41647</a>	Mechanism Parts	1
<a href="#">1490841</a>	GUIDE CRU LEFT	<a href="#">42012</a>	Mechanism Parts	1
<a href="#">2122298</a>	HARNESS ASSY FUSER 220V	<a href="#">42743</a>	Mechanism Parts	1
<a href="#">2086923</a>	LEVER FUSER LH	<a href="#">43108</a>	Mechanism Parts	1

<a href="#">2122867</a>	LEVER FUSUER RH	<a href="#">43473</a>	Mechanism Parts	1
<a href="#">2086922</a>	HARNESS ASSY ROS	<a href="#">37264</a>	Mechanism Parts	1
<a href="#">1488764</a>	HOUSING ASSY BTR J2	<a href="#">44204</a>	Mechanism Parts	1
<a href="#">1275222</a>	CHUTE TRANSFER	<a href="#">44569</a>	Mechanism Parts	1
<a href="#">2109125</a>	PWBA ASSY ANT	<a href="#">44934</a>	Mechanism Parts	1
<a href="#">2109126</a>	HARNESS ASSY ANT	<a href="#">45299</a>	Mechanism Parts	1
<a href="#">2109127</a>	GUIDE ASSY CRU R	<a href="#">45665</a>	Mechanism Parts	1
<a href="#">1432839</a>	LEVER LINK	<a href="#">47126</a>	Mechanism Parts	1
<a href="#">1249186</a>	LINK GEAR 3	<a href="#">10966</a>	Mechanism Parts	1
<a href="#">2109310</a>	FAN SUB	<a href="#">38360</a>	Mechanism Parts	1
<a href="#">1249173</a>	SPRING SL	<a href="#">39821</a>	Mechanism Parts	1

Part Code	Part Name	Ref No.	Category	Qty	Remark
-----------	-----------	---------	----------	-----	--------