
2 Parts and diagrams: HP LaserJet Pro M201/ M202 Printer series

- [Order parts by authorized service providers](#)
- [How to use the parts lists and diagrams](#)
- [Covers](#)
- [Internal assemblies](#)
- [Alphabetical parts list](#)
- [Numerical parts list](#)

Order parts by authorized service providers

Order replacement parts

Table 2-1 Order parts, accessories, and supplies

Order supplies and paper	www.hp.com/go/suresupply
Order genuine HP parts or accessories	www.hp.com/buy/parts
Order through service or support providers	Contact an HP-authorized service or support provider.

Related documentation

Table 2-2 Related documentation

Item	Description	Part number
<i>HP LaserJet Pro M201/M202 Printer series User Guide</i>	Product user guide.	Need part number
<i>HP LaserJet Pro M201/M202 Printer series Service Manual</i>	English service manual (this manual)	N/A

Supplies part numbers

Table 2-3 Supplies part numbers


Item	Cartridge number	Part number (service)
High-capacity black toner cartridge, HP LaserJet Pro M201 series	CF283X	CF484-67903
Standard-capacity black toner cartridge, HP LaserJet Pro M201 series	CF283A	CF283-67902
Standard-capacity black toner cartridge, HP LaserJet Pro M202 series	CC388A	CC388-67901

Customer self repair parts

Table 2-4 Customer replaceable units (CRU) kit part numbers

Description	Part number
Separation pad assembly	RM1-4227-000
Kit, pickup roller	RL1-3642-000
Dust cover	RC3-3902-000
Paper delivery tray assembly	RM1-9649-000
Paper pickup tray assembly	RM1-9677-000

Service parts

 **NOTE:** The parts in the following table are not shown in the assembly illustrations in this chapter.

Description	Part number
PCA-Formatter Wireless WW (wireless products only)	CZ229-60001
UMBER 802.11N DUAL BAND STRA CONN (wireless products only)	1150-7957


Whole-unit replacement part numbers


 **NOTE:** Whole-unit replacement products include the formatter PCA.

Table 2-5 Whole-unit replacement part numbers

Description	Part number
Product-Replacement 220V M201N AP	CF455-67902
Product-Exchange 220V M201N EU	CF455-69002
Product-Replacement 220V M201DW AP	CF456-67901
Product-Exchange 220V M201DW EU	CF456-69001
Product-Replacement 220V M202N CH	C6N20-67901
Product-Replacement 220V M202N IN	C6N20-67902
Product-Replacement 220V M202DW CH	C6N21-67903
Product-Replacement 220V M202DW IN	C6N21-67904

How to use the parts lists and diagrams

 **CAUTION:** Be sure to order the correct part. When looking for part numbers for electrical components, pay careful attention to the voltage that is listed. Doing so will make sure that the part number selected is for the correct model.

 **NOTE:** In this manual, the abbreviation “PCA” stands for “printed circuit-board assembly.” Components described as a PCA might consist of a single circuit board or a circuit board plus other parts, such as cables and sensors.

The figures in this chapter show the major subassemblies in the product and their component parts. A parts list table follows each exploded view assembly diagram. Each table lists the item number, the associated part number, and the description of each part. If a part is not listed in the table, then it is not a field replacement unit (FRU).

Covers

Duplex product

Figure 2-1 External panels and covers, duplex product

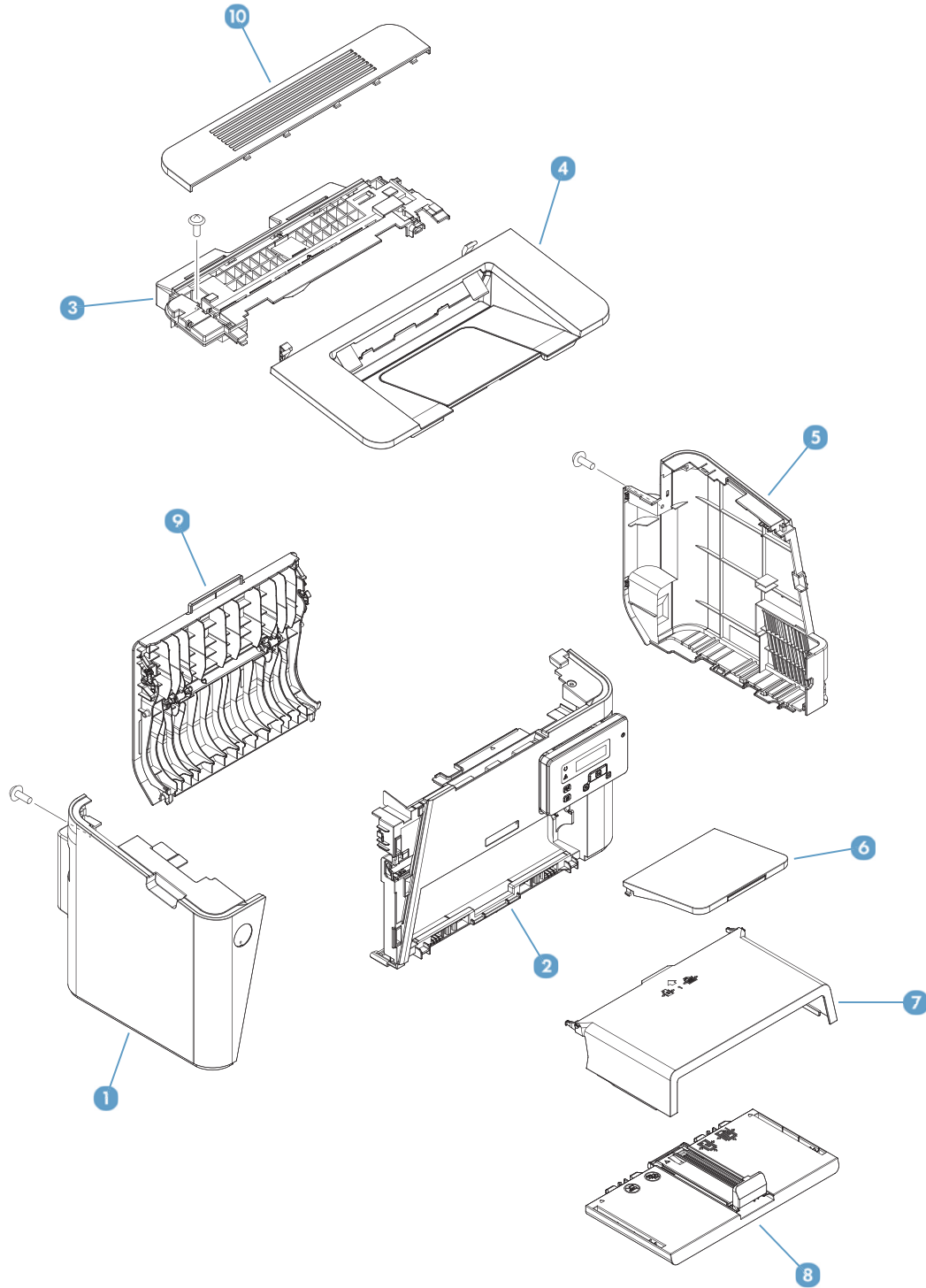


Table 2-6 External panels and covers, duplex product

Ref	Description	Part number	Qty
1	Cover, left (duplex product)	RL1-3671-000	1
2	Front cover assembly (duplex product)	RM2-0411-000	1
3	Cover, top (duplex product)	RC3-3898-000	1
4	Cartridge door assembly	RM1-9652-000	1
5	Cover, right (duplex product)	RC3-3900-000	1
6	Paper delivery tray assembly	RM1-9649-000	1
7	Cover, dust	RC3-3902-000	1
8	Paper pick-up tray assembly	RM1-9677-000	1
9	Duplexing door assembly	RM1-9654-000	1
10	Cap (duplex product)	RC3-3923-000	1

Simplex product

Figure 2-2 External panels and covers, simplex product

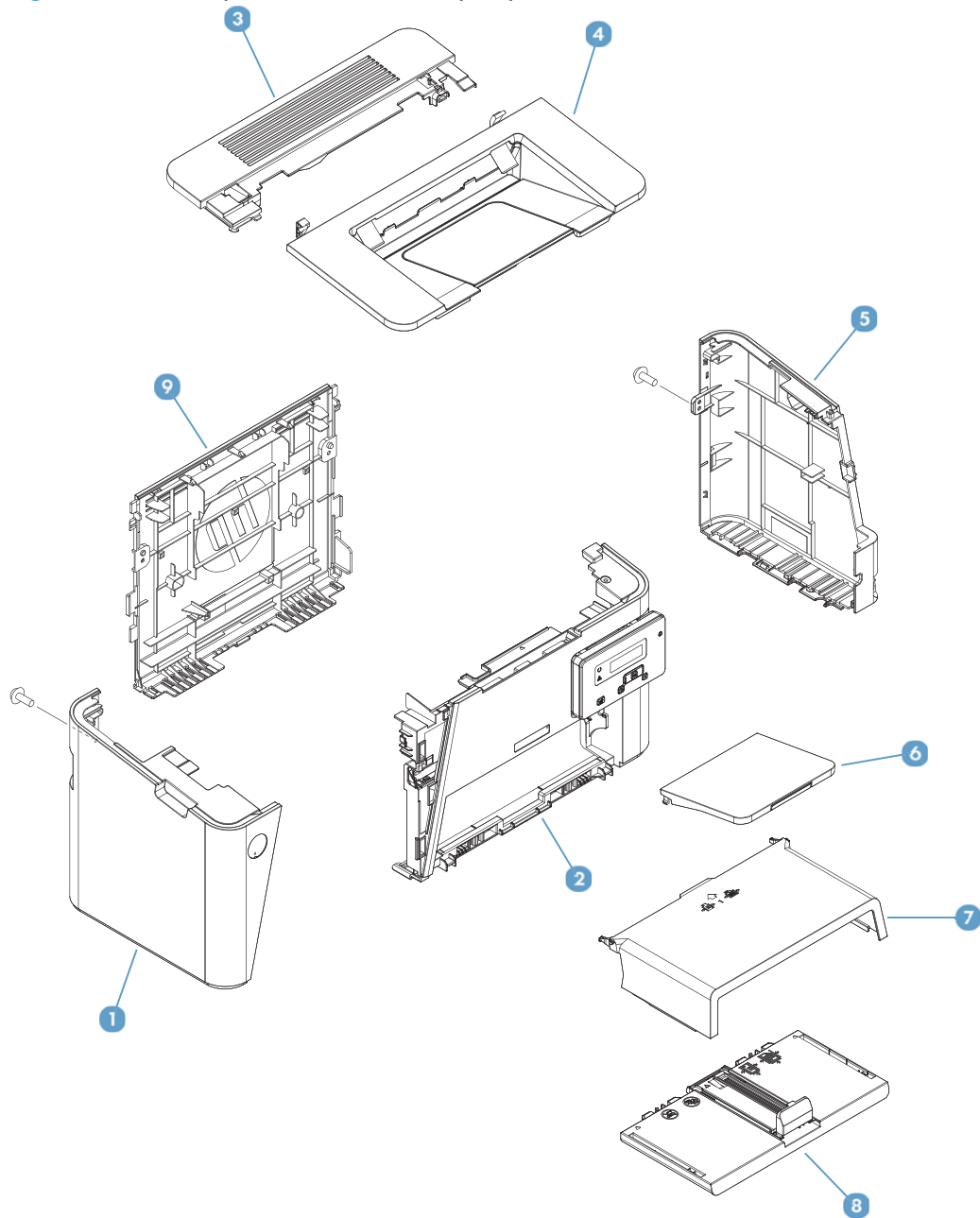


Table 2-7 External panels and covers, simplex product

Ref	Description	Part number	Qty
1	Cover, left (simplex product)	RL1-4079-000	1
2	Front cover assembly (simplex product)	RM2-0414-000	1
3	Cover, top (simplex product)	RC3-3899-000	1
4	Cartridge door assembly	RM1-9652-000	1
5	Cover, right (simplex product)	RC3-3901-000	1
6	Paper delivery tray assembly	RM1-9649-000	1
7	Cover, dust	RC3-3902-000	1
8	Paper pick-up tray assembly	RM1-9677-000	1
9	Cover, rear (simplex product)	RL1-3666-000	1

Internal assemblies

Internal assemblies (1 of 3)

Figure 2-3 Internal assemblies (1 of 3)

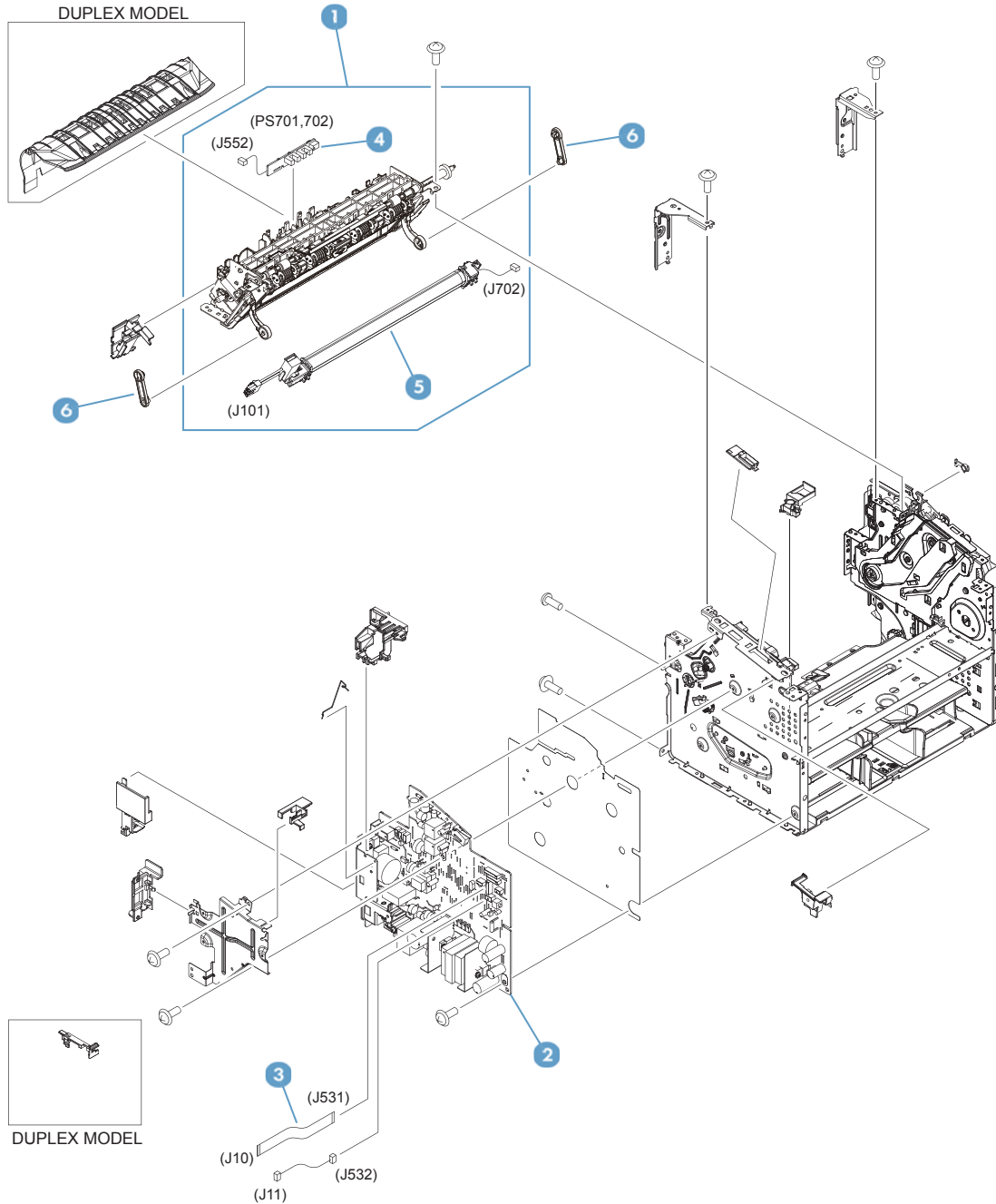


Table 2-8 Internal assemblies (1 of 3)

Ref	Description	Part number	Qty
1	Fixing assembly, 110-127V	RM1-9658-000	1
1	Fixing assembly, 220-240V	RM1-9659-000	1
2	Engine control PCB assembly, 110-127V	RM2-7605-000	1
2	Engine control PCB assembly, 220-240V	RM2-7606-000	1
2	Engine control PCB assembly, 220-240V, CH IN	RM2-8079-000	1
3	Cable,flat	RK2-6680-000	1
4	Delivery sensor PCB assembly	RM2-7629-000	1
5	Fixing film assembly, 110-127V	RM1-9656-000	1
5	Fixing film assembly, 220-240V	RM1-9657-000	1
6	Link, pressure release	RC2-9512-000	2

Internal assemblies (2 of 3)

Figure 2-4 Internal assemblies (2 of 3)

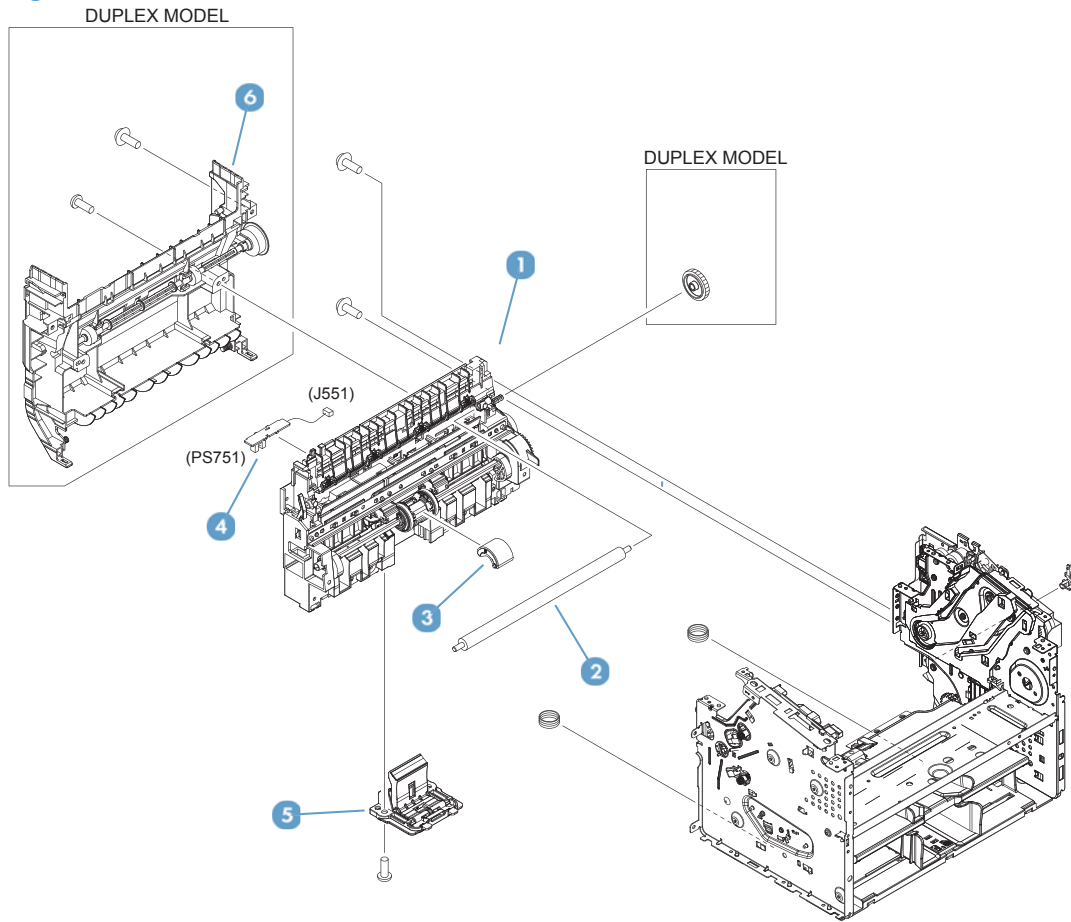


Table 2-9 Internal assemblies (2 of 3)

Ref	Description	Part number	Qty
1	Paper pick-up assembly (duplex product)	RM2-6524-000	1
1	Paper pick-up assembly (simplex product)	RM2-6525-000	1
2	Roller, transfer	RM1-4023-000	1
3	Roller, pickup	RL1-3642-000	1
4	Paper pick-up sensor PCB assembly	RM2-7609-000	1
5	Separation pad assembly	RM1-4227-000	1
6	Duplexing frame assembly	RM1-9655-000	1

Internal assemblies (3 of 3)

Figure 2-5 Internal assemblies (3 of 3)

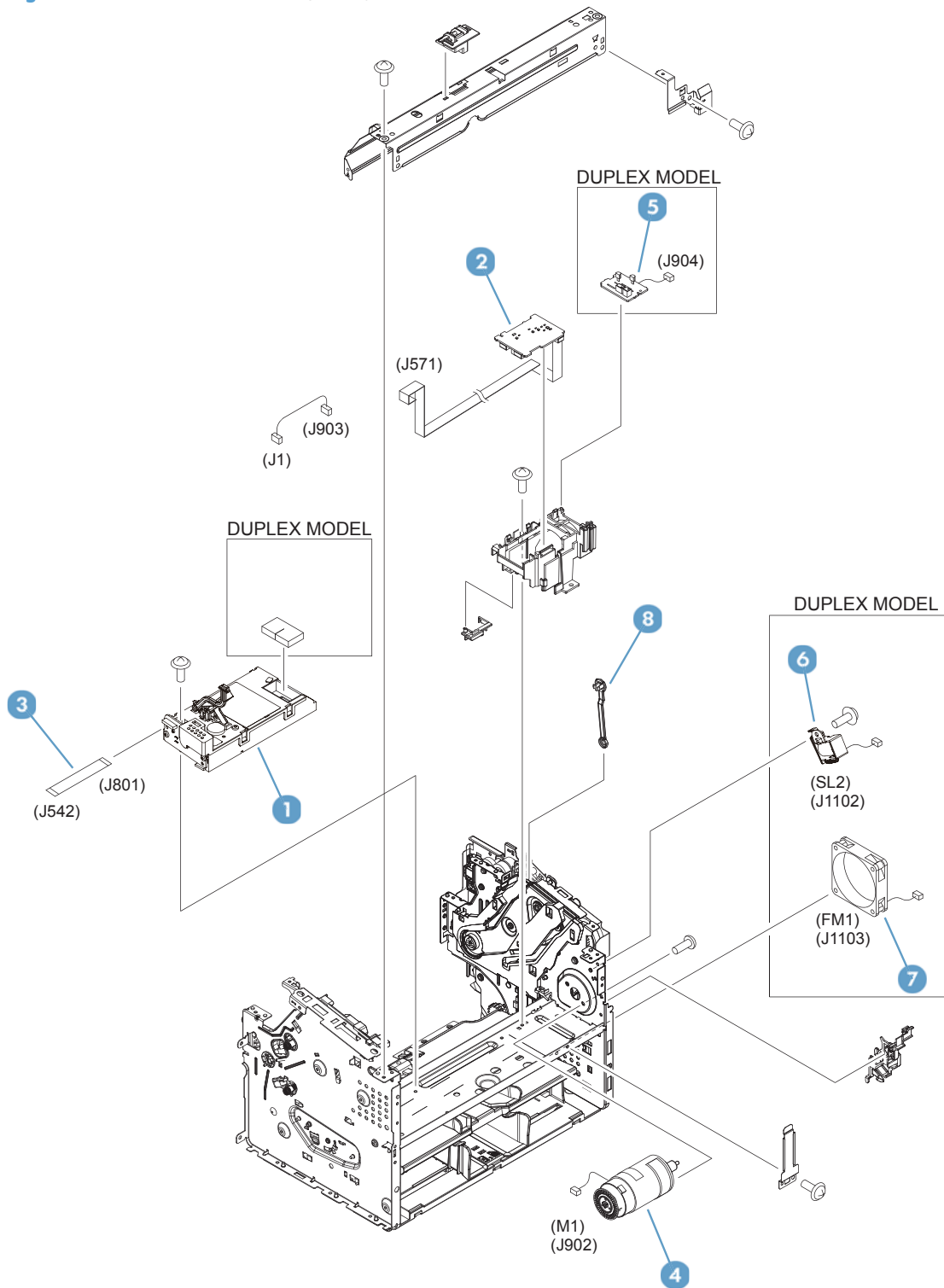


Table 2-10 Internal assemblies (3 of 3)

Ref	Description	Part number	Qty
1	Laser scanner assembly	RM2-0426-000	1
2	Motor PCB assembly	RM2-7607-000	1
3	Cable, flat	RK2-6691-000	1
4	Motor, DC24V	RM2-0418-000	1
5	Duplexing PCB assembly (duplex product)	RM2-7608-000	1
6	Solenoid (duplex product)	RK2-0420-000	1
7	Fan (duplex product)	RK2-6694-000	1
8	Link, cartridge door	RC2-9425-000	1

Alphabetical parts list

Table 2-11 Alphabetical parts list

Description	Part number	Table and page
Cable, flat	RK2-6691-000	Internal assemblies (3 of 3) on page 131
Cable,flat	RK2-6680-000	Internal assemblies (1 of 3) on page 127
Cap (duplex product)	RC3-3923-000	External panels and covers, duplex product on page 123
Cartridge door assembly	RM1-9652-000	External panels and covers, duplex product on page 123
Cartridge door assembly	RM1-9652-000	External panels and covers, simplex product on page 125
Cover, dust	RC3-3902-000	External panels and covers, duplex product on page 123
Cover, dust	RC3-3902-000	External panels and covers, simplex product on page 125
Cover, left (duplex product)	RL1-3671-000	External panels and covers, duplex product on page 123
Cover, left (simplex product)	RL1-4079-000	External panels and covers, simplex product on page 125
Cover, rear (simplex product)	RL1-3666-000	External panels and covers, simplex product on page 125
Cover, right (duplex product)	RC3-3900-000	External panels and covers, duplex product on page 123
Cover, right (simplex product)	RC3-3901-000	External panels and covers, simplex product on page 125
Cover, top (duplex product)	RC3-3898-000	External panels and covers, duplex product on page 123
Cover, top (simplex product)	RC3-3899-000	External panels and covers, simplex product on page 125
Delivery sensor PCB assembly	RM2-7629-000	Internal assemblies (1 of 3) on page 127
Duplexing door assembly	RM1-9654-000	External panels and covers, duplex product on page 123
Duplexing frame assembly	RM1-9655-000	Internal assemblies (2 of 3) on page 129
Duplexing PCB assembly (duplex product)	RM2-7608-000	Internal assemblies (3 of 3) on page 131
Engine control PCB assembly, 110-127V	RM2-7605-000	Internal assemblies (1 of 3) on page 127
Engine control PCB assembly, 220-240V	RM2-7606-000	Internal assemblies (1 of 3) on page 127

Table 2-11 Alphabetical parts list (continued)

Description	Part number	Table and page
Engine control PCB assembly, 220-240V, CH IN	RM2-8079-000	Internal assemblies (1 of 3) on page 127
Fan (duplex product)	RK2-6694-000	Internal assemblies (3 of 3) on page 131
Fixing assembly, 110-127V	RM1-9658-000	Internal assemblies (1 of 3) on page 127
Fixing assembly, 220-240V	RM1-9659-000	Internal assemblies (1 of 3) on page 127
Fixing film assembly, 110-127V	RM1-9656-000	Internal assemblies (1 of 3) on page 127
Fixing film assembly, 220-240V	RM1-9657-000	Internal assemblies (1 of 3) on page 127
Front cover assembly (duplex product)	RM2-0411-000	External panels and covers, duplex product on page 123
Front cover assembly (simplex product)	RM2-0414-000	External panels and covers, simplex product on page 125
Laser scanner assembly	RM2-0426-000	Internal assemblies (3 of 3) on page 131
Link, cartridge door	RC2-9425-000	Internal assemblies (3 of 3) on page 131
Link, pressure release	RC2-9512-000	Internal assemblies (1 of 3) on page 127
Motor PCB assembly	RM2-7607-000	Internal assemblies (3 of 3) on page 131
Motor, DC24V	RM2-0418-000	Internal assemblies (3 of 3) on page 131
Paper delivery tray assembly	RM1-9649-000	External panels and covers, duplex product on page 123
Paper delivery tray assembly	RM1-9649-000	External panels and covers, simplex product on page 125
Paper pick-up assembly (duplex product)	RM2-6524-000	Internal assemblies (2 of 3) on page 129
Paper pick-up assembly (simplex product)	RM2-6525-000	Internal assemblies (2 of 3) on page 129
Paper pick-up sensor PCB assembly	RM2-7609-000	Internal assemblies (2 of 3) on page 129
Paper pick-up tray assembly	RM1-9677-000	External panels and covers, duplex product on page 123
Paper pick-up tray assembly	RM1-9677-000	External panels and covers, simplex product on page 125
Roller, pickup	RL1-3642-000	Internal assemblies (2 of 3) on page 129

Table 2-11 Alphabetical parts list (continued)

Description	Part number	Table and page
Roller, transfer	RM1-4023-000	Internal assemblies (2 of 3) on page 129
Separation pad assembly	RM1-4227-000	Internal assemblies (2 of 3) on page 129
Solenoid (duplex product)	RK2-0420-000	Internal assemblies (3 of 3) on page 131

Numerical parts list

Table 2-12 Numerical parts list

Part number	Description	Table and page
RC2-9425-000	Link, cartridge door	Internal assemblies (3 of 3) on page 131
RC2-9512-000	Link, pressure release	Internal assemblies (1 of 3) on page 127
RC3-3898-000	Cover, top (duplex product)	External panels and covers, duplex product on page 123
RC3-3899-000	Cover, top (simplex product)	External panels and covers, simplex product on page 125
RC3-3900-000	Cover, right (duplex product)	External panels and covers, duplex product on page 123
RC3-3901-000	Cover, right (simplex product)	External panels and covers, simplex product on page 125
RC3-3902-000	Cover, dust	External panels and covers, duplex product on page 123
RC3-3902-000	Cover, dust	External panels and covers, simplex product on page 125
RC3-3923-000	Cap (duplex product)	External panels and covers, duplex product on page 123
RK2-0420-000	Solenoid (duplex product)	Internal assemblies (3 of 3) on page 131
RK2-6680-000	Cable, flat	Internal assemblies (1 of 3) on page 127
RK2-6691-000	Cable, flat	Internal assemblies (3 of 3) on page 131
RK2-6694-000	Fan (duplex product)	Internal assemblies (3 of 3) on page 131
RL1-3642-000	Roller, pickup	Internal assemblies (2 of 3) on page 129
RL1-3666-000	Cover, rear (simplex product)	External panels and covers, simplex product on page 125
RL1-3671-000	Cover, left (duplex product)	External panels and covers, duplex product on page 123
RL1-4079-000	Cover, left (simplex product)	External panels and covers, simplex product on page 125
RM1-4023-000	Roller, transfer	Internal assemblies (2 of 3) on page 129
RM1-4227-000	Separation pad assembly	Internal assemblies (2 of 3) on page 129
RM1-9649-000	Paper delivery tray assembly	External panels and covers, duplex product on page 123

Table 2-12 Numerical parts list (continued)

Part number	Description	Table and page
RM1-9649-000	Paper delivery tray assembly	External panels and covers, simplex product on page 125
RM1-9652-000	Cartridge door assembly	External panels and covers, duplex product on page 123
RM1-9652-000	Cartridge door assembly	External panels and covers, simplex product on page 125
RM1-9654-000	Duplexing door assembly	External panels and covers, duplex product on page 123
RM1-9655-000	Duplexing frame assembly	Internal assemblies (2 of 3) on page 129
RM1-9656-000	Fixing film assembly, 110-127V	Internal assemblies (1 of 3) on page 127
RM1-9657-000	Fixing film assembly, 220-240V	Internal assemblies (1 of 3) on page 127
RM1-9658-000	Fixing assembly, 110-127V	Internal assemblies (1 of 3) on page 127
RM1-9659-000	Fixing assembly, 220-240V	Internal assemblies (1 of 3) on page 127
RM1-9677-000	Paper pick-up tray assembly	External panels and covers, duplex product on page 123
RM1-9677-000	Paper pick-up tray assembly	External panels and covers, simplex product on page 125
RM2-0411-000	Front cover assembly (duplex product)	External panels and covers, duplex product on page 123
RM2-0414-000	Front cover assembly (simplex product)	External panels and covers, simplex product on page 125
RM2-0418-000	Motor, DC24V	Internal assemblies (3 of 3) on page 131
RM2-0426-000	Laser scanner assembly	Internal assemblies (3 of 3) on page 131
RM2-6524-000	Paper pick-up assembly (duplex product)	Internal assemblies (2 of 3) on page 129
RM2-6525-000	Paper pick-up assembly (simplex product)	Internal assemblies (2 of 3) on page 129
RM2-7605-000	Engine control PCB assembly, 110-127V	Internal assemblies (1 of 3) on page 127
RM2-7606-000	Engine control PCB assembly, 220-240V	Internal assemblies (1 of 3) on page 127
RM2-7607-000	Motor PCB assembly	Internal assemblies (3 of 3) on page 131
RM2-7608-000	Duplexing PCB assembly (duplex product)	Internal assemblies (3 of 3) on page 131

Table 2-12 Numerical parts list (continued)

Part number	Description	Table and page
RM2-7609-000	Paper pick-up sensor PCB assembly	Internal assemblies (2 of 3) on page 129
RM2-7629-000	Delivery sensor PCB assembly	Internal assemblies (1 of 3) on page 127
RM2-8079-000	Engine control PCB assembly, 220-240V, CH IN	Internal assemblies (1 of 3) on page 127

3 Parts and diagrams: HP LaserJet Pro MFP M225/M226 series

- [Order parts by authorized service providers](#)
- [How to use the parts lists and diagrams](#)
- [Covers](#)
- [Internal assemblies](#)
- [Scanner and document feeder \(ADF\)](#)
- [Scanner assembly internal components](#)
- [Alphabetical parts list](#)
- [Numerical parts list](#)

Order parts by authorized service providers

Order replacement parts

Table 3-1 Order parts, accessories, and supplies

Order supplies and paper	www.hp.com/go/suresupply
Order genuine HP parts or accessories	www.hp.com/buy/parts
Order through service or support providers	Contact an HP-authorized service or support provider.

Related documentation

Table 3-2 Related documentation

Item	Description	Part number
<i>HP LaserJet Pro MFP M225/M226 Printer series User Guide</i>	Product user guide.	Need part number
<i>HP LaserJet Pro M201/M202 Printer series Service Manual</i>	English service manual (this manual)	N/A

Supplies part numbers

Table 3-3 Supplies part numbers


Item	Cartridge number	Part number (service)
High-capacity black toner cartridge, HP LaserJet Pro MFP M225 series	CF283X	CF484-67903
Standard-capacity black toner cartridge, HP LaserJet Pro MFP M225 series	CF283A	CF283-67902
Standard-capacity black toner cartridge, HP LaserJet Pro MFP M226 series	CC388A	CC388-67901

Customer self repair parts

Table 3-4 Customer replaceable units (CRU) kit part numbers

Description	Part number
Separation pad assembly	RM1-4227-000
Kit, pickup roller	RL1-3642-000
Dust cover	RC3-3902-000
Paper delivery tray assembly	RM1-9649-000
Paper pickup tray assembly	RM1-9677-000

Service parts

 **NOTE:** The parts in the following table are not shown in the assembly illustrations in this chapter.

Description	Part number
Scanner:	
Assembly, scanner/ADF (bulkpack)	CF484-60106
1200PPI scanner assembly ¹	D1527-60002
Assembly, motor scanner ¹	CN503-60006
ADF:	
Assembly, ADF top cover	CF484-60117
Control panel, WiFi, and fax:	
Assembly, two-line control panel 4:1 (dn products)	CF484-60115
Assembly, magic frame 3.0 inch (dw products)	CF484-60122
PCA, formatter network	CZ231-60001
PCA, formatter wireless	CZ232-60001
PCA, fax card US	CF206-60001
WiFi board, Umber	1150-7959
Fax rubber cap	CZ185-40001

¹ Part must be replaced in a dust-free chamber.

Whole-unit replacement part numbers


 **NOTE:** Whole-unit replacement products include the formatter PCA.


Table 3-5 Whole-unit replacement part numbers


Description	Part number
Product-Replacement 110V M225DN NA/TW	CF484-67901

Table 3-5 Whole-unit replacement part numbers (continued)

Description	Part number
Product-Exchange 110V M225DN NA/TW	CF484-69001
Product-Replacement 220V M225DN AP	CF484-67902
Product-Exchange 220V M225DN EU	CF484-69002
Product-Replacement 220V M226DN CH	C6N22-67901
Product-Replacement 110V M225DW NA/TW	CF485-67901
Product-Exchange 110V M225DW NA/TW	CF484-69003
Product-Replacement 220V M225DW AP	CF485-67902
Product-Exchange 220V M225DW EU	CF484-69004
Product-Exchange 220V M226DN CH	C6N22-69001
Product-Replacement 220V M226DN IN	C6N22-67902
Product-Replacement 220V M226DW CH	C6N23-67901
Product-Exchange 220V M226DW CH	C6N22-69002
Product-Replacement 220V M226DW IN	C6N23-67902

How to use the parts lists and diagrams

 **CAUTION:** Be sure to order the correct part. When looking for part numbers for electrical components, pay careful attention to the voltage that is listed. Doing so will make sure that the part number selected is for the correct model.

 **NOTE:** In this manual, the abbreviation “PCA” stands for “printed circuit-board assembly.” Components described as a PCA might consist of a single circuit board or a circuit board plus other parts, such as cables and sensors.

The figures in this chapter show the major subassemblies in the product and their component parts. A parts list table follows each exploded view assembly diagram. Each table lists the item number, the associated part number, and the description of each part. If a part is not listed in the table, then it is not a field replacement unit (FRU).

Covers

Figure 3-1 External panels and covers

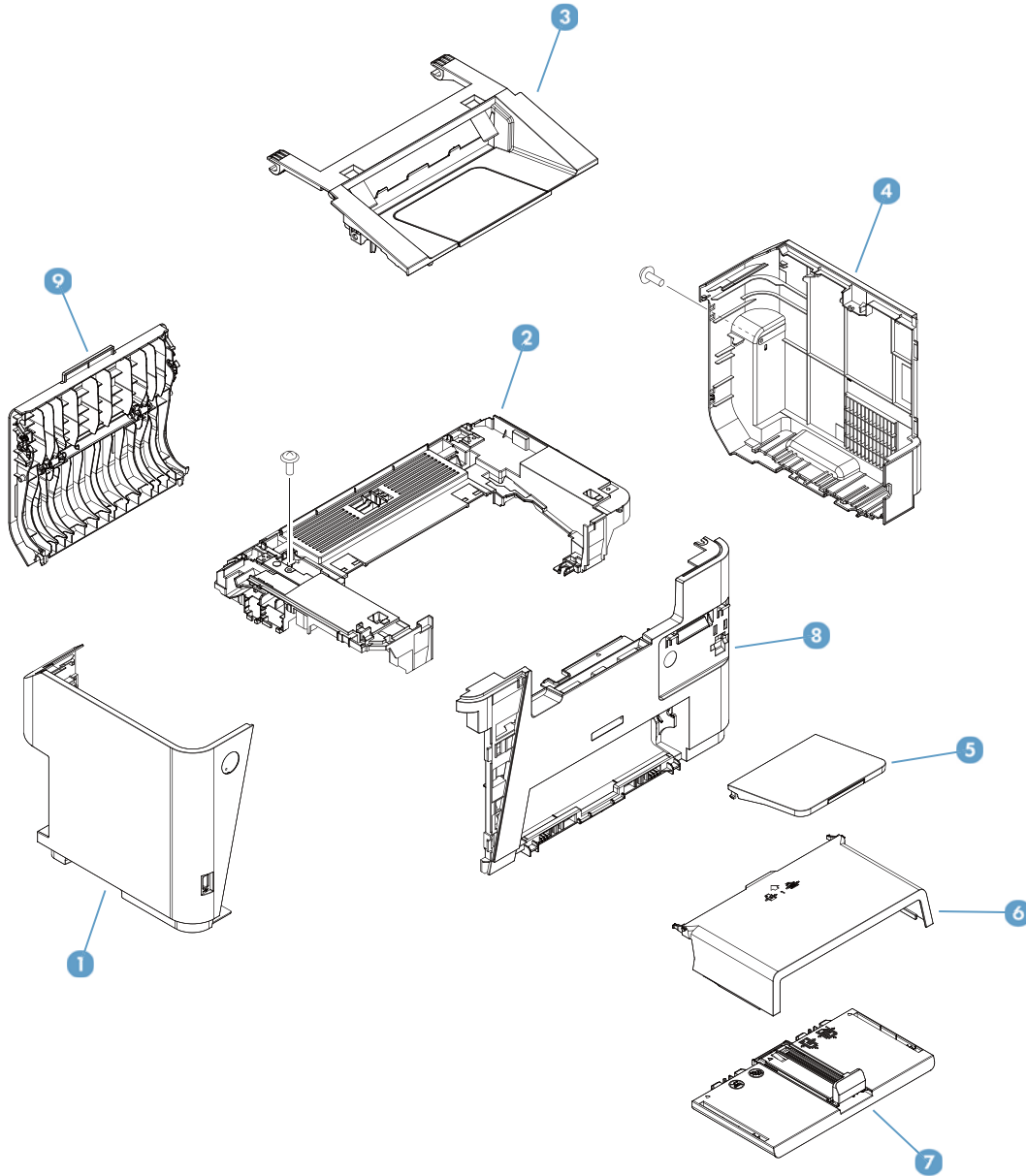


Table 3-6 External panels and covers

Ref	Description	Part number	Qty
1	Cover, left	RL1-3803-000	1
2	Cover, top	RC3-4790-000	1
3	Cartridge door assembly	RM1-9890-000	1
4	Cover, right	RC3-4792-000	1
5	Paper delivery tray assembly	RM1-9649-000	1
6	Cover, dust	RC3-3902-000	1
7	Paper pick-up tray assembly	RM1-9677-000	1
8	Cover, front	RL1-3802-000	1
9	Duplexing door assembly	RM1-9654-000	1

Internal assemblies

Internal assemblies (1 of 3)

Figure 3-2 Internal assemblies (1 of 3)

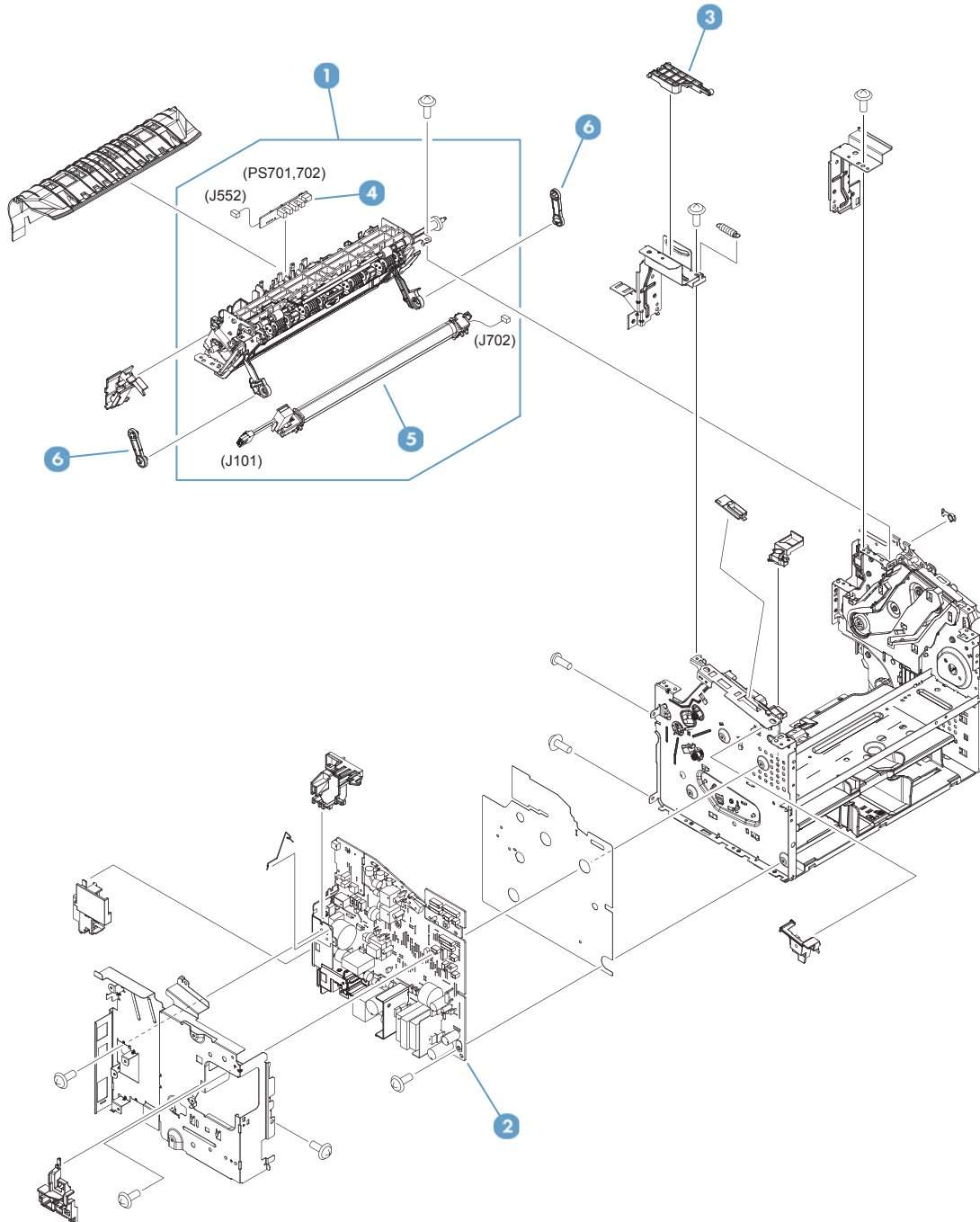


Table 3-7 Internal assemblies (1 of 3)

Ref	Description	Part number	Qty
1	Fixing assembly, 110-127V	RM1-9891-000	1
1	Fixing assembly, 220-240V	RM1-9892-000	1
2	Engine control PCB assembly, 110-127V	RM2-7632-000	1
2	Engine control PCB assembly, 220-240V	RM2-7633-000	1
2	Engine control PCB assembly, 220-240V, CH IN	RM2-8080-000	1
3	Link, cartridge door	RC2-9527-000	1
4	Delivery sensor PCB assembly	RM2-7629-000	1
5	Fixing film assembly, 110-127V	RM1-9656-000	1
5	Fixing film assembly, 220-240V	RM1-9657-000	1
6	Link, pressure release	RC2-9531-000	2

Internal assemblies (2 of 3)

Figure 3-3 Internal assemblies (2 of 3)

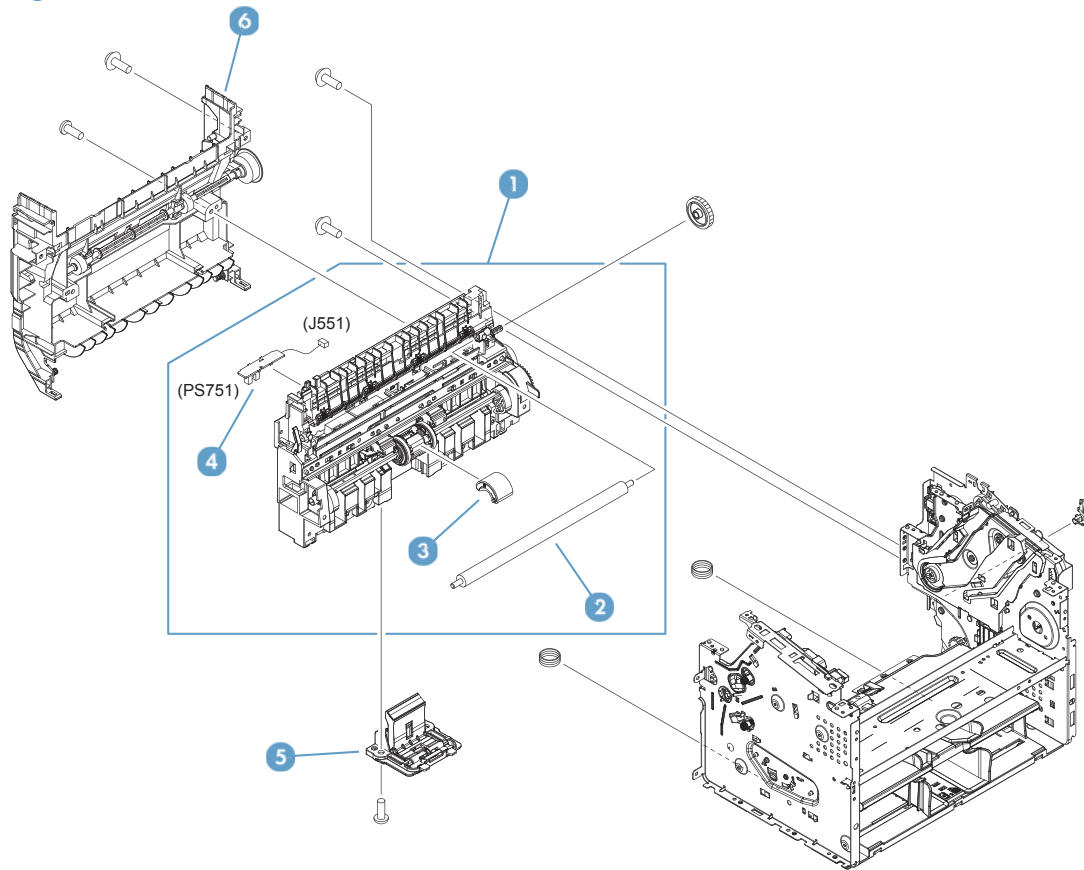


Table 3-8 Internal assemblies (2 of 3)

Ref	Description	Part number	Qty
1	Paper pick-up assembly	RM2-6524-000	1
2	Roller, transfer	RM1-4023-000	1
3	Roller, pickup	RL1-3642-000	1
4	Paper pick-up sensor PCB assembly	RM2-7635-000	1
5	Separation pad assembly	RM1-4227-000	1
6	Duplexing frame assembly	RM1-9655-000	1

Internal assemblies (3 of 3)

Figure 3-4 Internal assemblies (3 of 3)

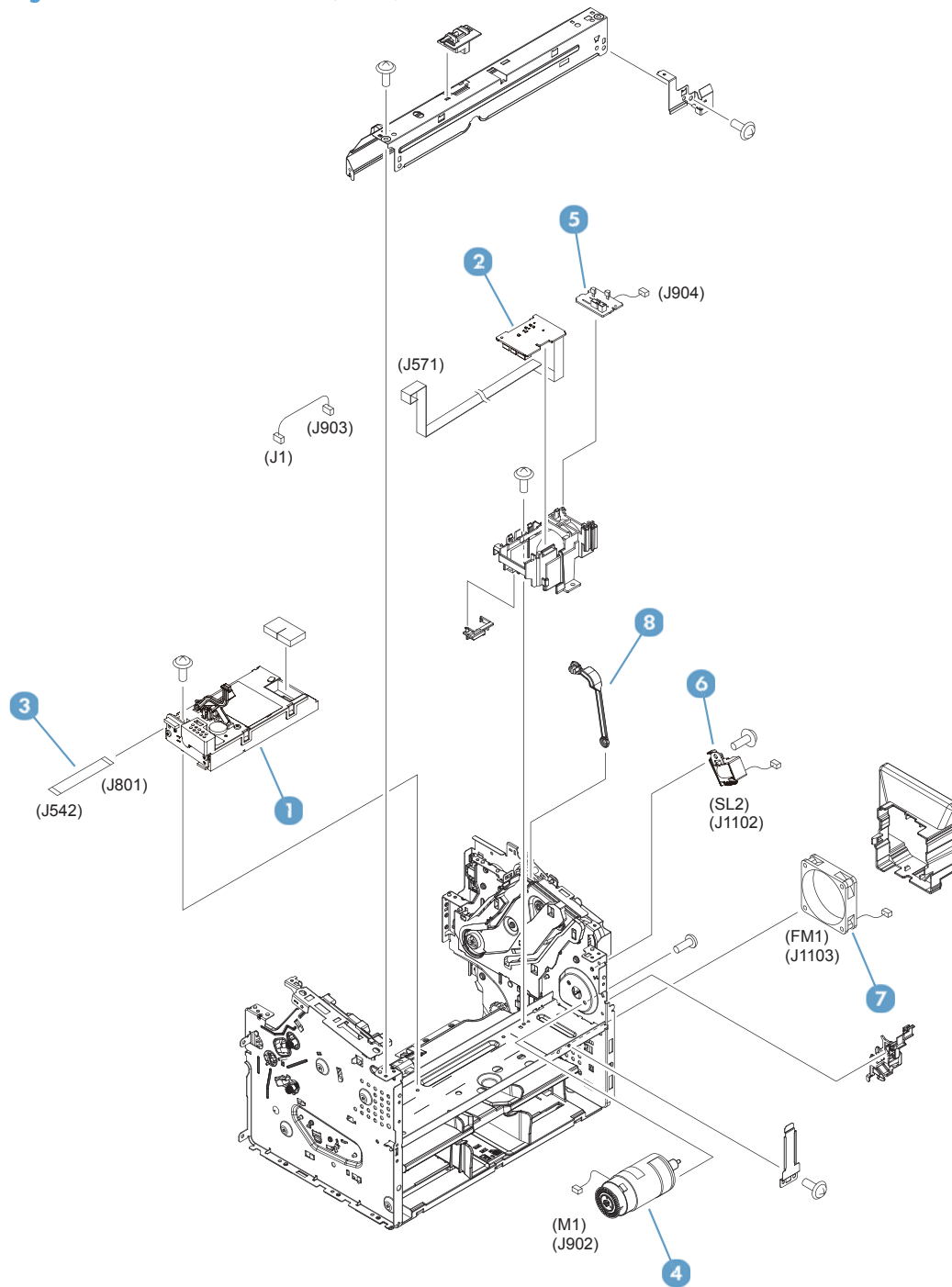


Table 3-9 Internal assemblies (3 of 3)

Ref	Description	Part number	Qty
1	Laser scanner assembly	RM2-0426-000	1
2	Motor PCB assembly	RM2-7634-000	1
3	Cable, flat	RK2-6691-000	1
4	Motor, DC24V	RM2-0418-000	1
5	Duplexing PCB assembly	RM2-7608-000	1
6	Solenoid	RK2-0420-000	1
7	Fan	RK2-6694-000	1
8	Link, cartridge door, CH IN	RC2-9514-000	1

Scanner and document feeder (ADF)

Scanner and document feeder (ADF) main assemblies

Figure 3-5 Scanner and document feeder (ADF) main assemblies

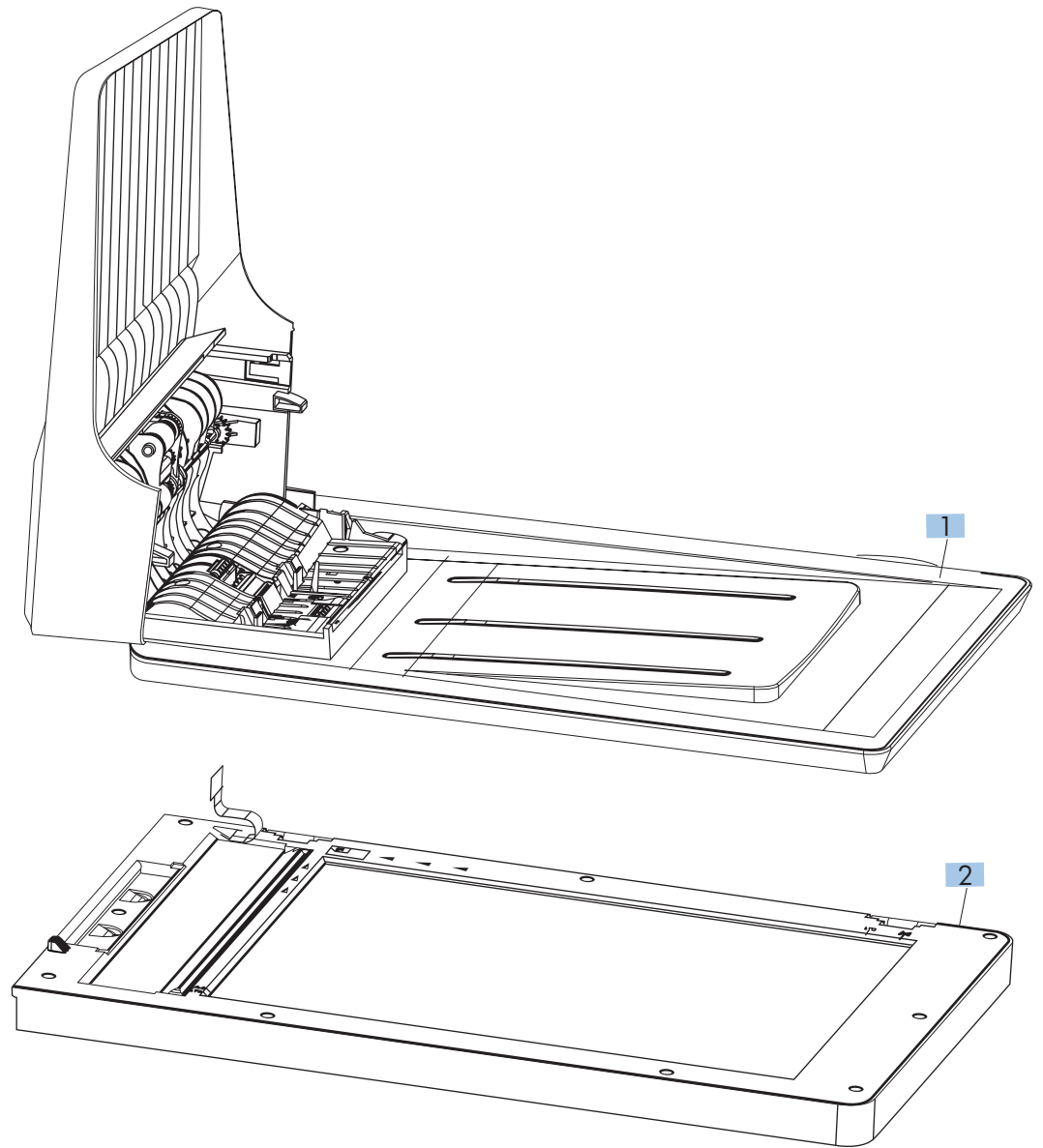


Table 3-10 Scanner and document feeder (ADF) main assemblies

Ref	Description	Part number	Qty
NA	Assembly, scanner/ADF (complete)	CF484-60103	1
1	Assembly, Auto Document Feeder	CF484-60116	1
2	1200PPI scanner assembly	CF484-60110	1

Document feeder internal components

Figure 3-6 Document feeder internal components

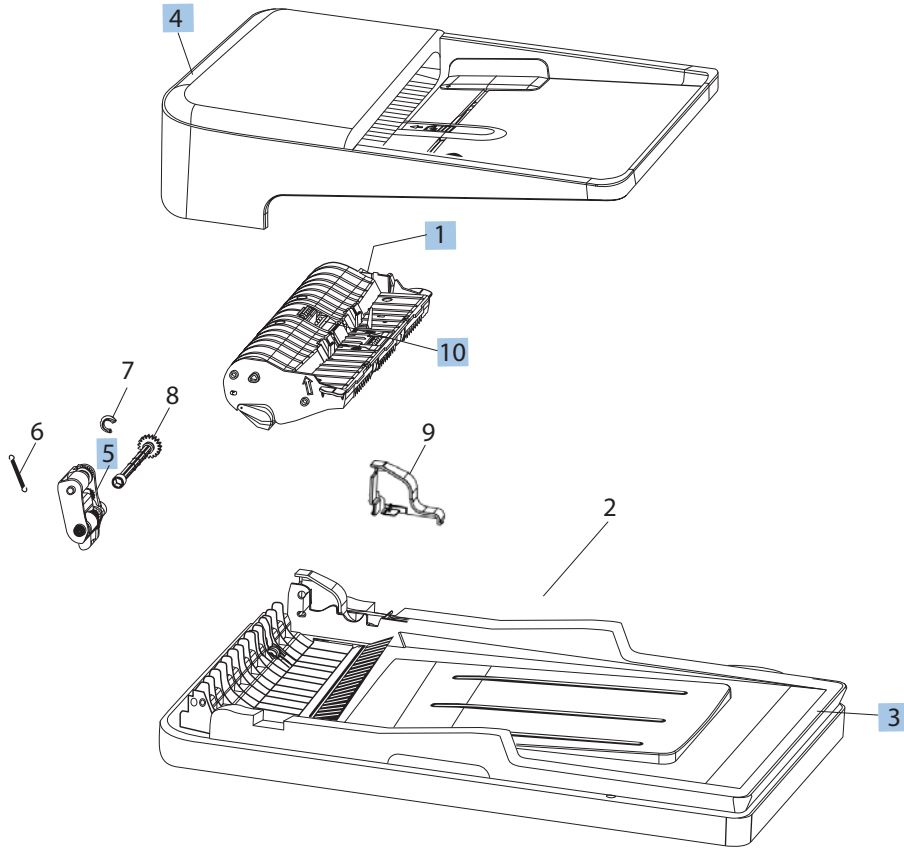


Table 3-11 Document feeder internal components

Ref	Description	Part number	Qty
1	Assembly, ADF core	CF484-60118	1
3	Assembly, ADF base	CF484-60120	1
4	Assembly, ADF cover and adjuster	CF484-60127	1
5	Assembly, pick arm	CF144-60142	1
10	Assembly, separator pad	Q7400-60005	1

Scanner assembly internal components

Scanner assembly internal components (1 of 2)

Figure 3-7 Scanner assembly internal components (1 of 2)

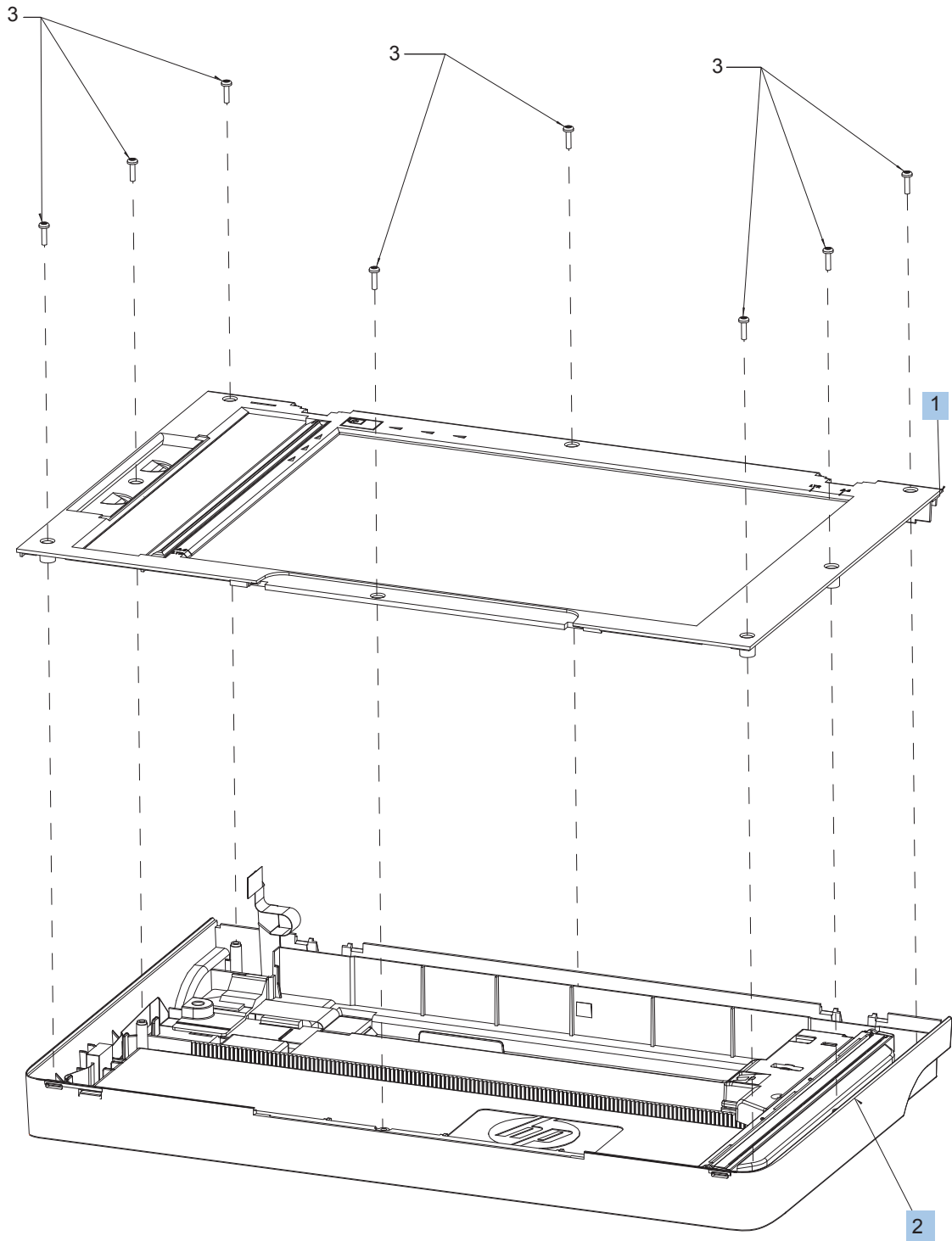


Table 3-12 Scanner assembly internal components (1 of 2)

Ref	Description	Part number	Qty
1	Assembly, scan bezel ¹	CF484-60111	1
2	Assembly, scanner base ¹	CF484-60112	1

¹ Part must be replaced in a dust-free chamber.

Scanner assembly internal components (2 of 2)

Figure 3-8 Scanner assembly internal components (2 of 2)

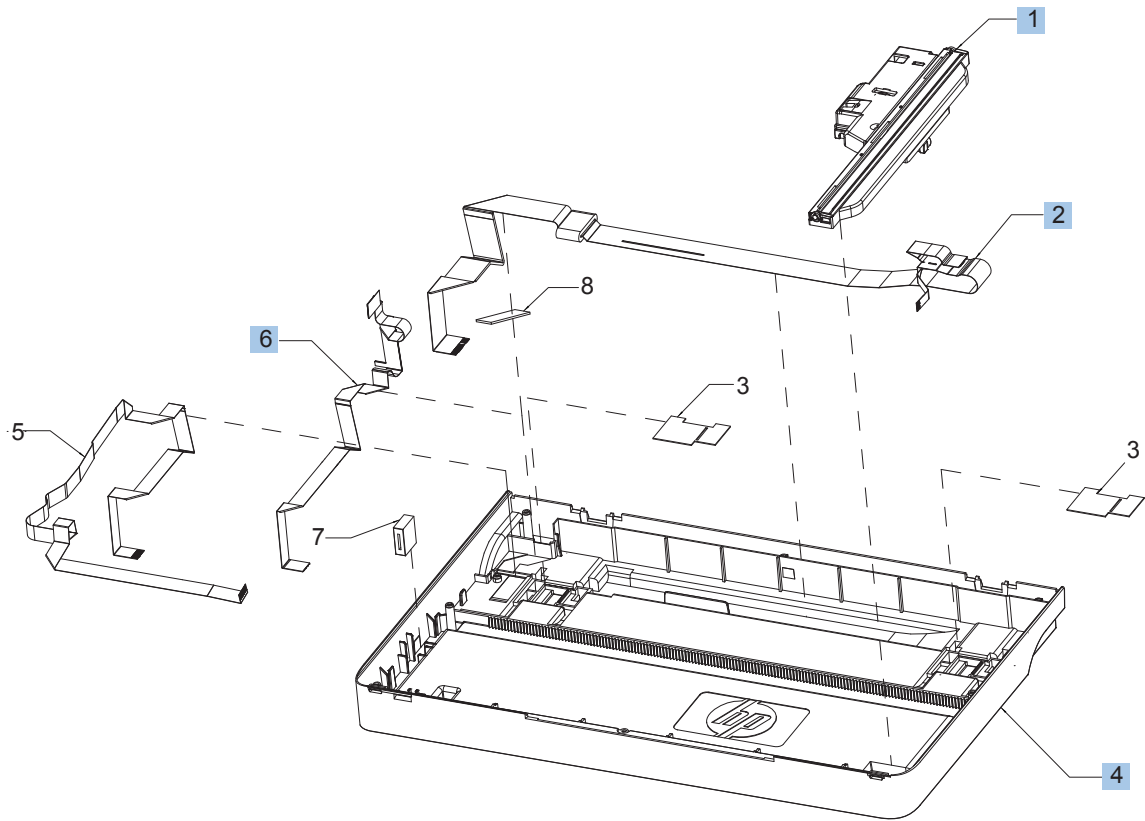


Table 3-13 Scanner assembly internal components (2 of 2)

Ref	Description	Part number	Qty
1	Assembly, scan drive system ¹	CF484-60113	1
2	Assembly, scan module/motor cable ¹	CF484-60105	1
4	Scanner base ¹	CF484-40001	1
6	Assembly, ADF cable ¹	CF484-60104	1

¹ Part must be replaced in a dust-free chamber.

Alphabetical parts list

Table 3-14 Alphabetical parts list

Description	Part number	Table and page
1200PPI scanner assembly	CF484-60110	Scanner and document feeder (ADF) main assemblies on page 153
Assembly, ADF base	CF484-60120	Document feeder internal components on page 155
Assembly, ADF cable ¹¹	CF484-60104	Scanner assembly internal components (2 of 2) on page 159
Assembly, ADF core	CF484-60118	Document feeder internal components on page 155
Assembly, ADF cover and adjuster	CF484-60127	Document feeder internal components on page 155
Assembly, Auto Document Feeder	CF484-60116	Scanner and document feeder (ADF) main assemblies on page 153
Assembly, pick arm	CF144-60142	Document feeder internal components on page 155
Assembly, scan bezel ¹¹	CF484-60111	Scanner assembly internal components (1 of 2) on page 157
Assembly, scan drive system ¹¹	CF484-60113	Scanner assembly internal components (2 of 2) on page 159
Assembly, scan module/motor cable ¹¹	CF484-60105	Scanner assembly internal components (2 of 2) on page 159
Assembly, scanner base ¹¹	CF484-60112	Scanner assembly internal components (1 of 2) on page 157
Assembly, scanner/ADF (complete)	CF484-60103	Scanner and document feeder (ADF) main assemblies on page 153
Assembly, separator pad	Q7400-60005	Document feeder internal components on page 155
Cable, flat	RK2-6691-000	Internal assemblies (3 of 3) on page 151
Cartridge door assembly	RM1-9890-000	External panels and covers on page 145
Cover, dust	RC3-3902-000	External panels and covers on page 145
Cover, front	RL1-3802-000	External panels and covers on page 145
Cover, left	RL1-3803-000	External panels and covers on page 145
Cover, right	RC3-4792-000	External panels and covers on page 145

Table 3-14 Alphabetical parts list (continued)

Description	Part number	Table and page
Cover, top	RC3-4790-000	External panels and covers on page 145
Delivery sensor PCB assembly	RM2-7629-000	Internal assemblies (1 of 3) on page 147
Duplexing door assembly	RM1-9654-000	External panels and covers on page 145
Duplexing frame assembly	RM1-9655-000	Internal assemblies (2 of 3) on page 149
Duplexing PCB assembly	RM2-7608-000	Internal assemblies (3 of 3) on page 151
Engine control PCB assembly, 110-127V	RM2-7632-000	Internal assemblies (1 of 3) on page 147
Engine control PCB assembly, 220-240V	RM2-7633-000	Internal assemblies (1 of 3) on page 147
Engine control PCB assembly, 220-240V, CH IN	RM2-8080-000	Internal assemblies (1 of 3) on page 147
Fan	RK2-6694-000	Internal assemblies (3 of 3) on page 151
Fixing assembly, 110-127V	RM1-9891-000	Internal assemblies (1 of 3) on page 147
Fixing assembly, 220-240V	RM1-9892-000	Internal assemblies (1 of 3) on page 147
Fixing film assembly, 110-127V	RM1-9656-000	Internal assemblies (1 of 3) on page 147
Fixing film assembly, 220-240V	RM1-9657-000	Internal assemblies (1 of 3) on page 147
Laser scanner assembly	RM2-0426-000	Internal assemblies (3 of 3) on page 151
Link, cartridge door	RC2-9527-000	Internal assemblies (1 of 3) on page 147
Link, cartridge door, CH IN	RC2-9514-000	Internal assemblies (3 of 3) on page 151
Link, pressure release	RC2-9531-000	Internal assemblies (1 of 3) on page 147
Motor PCB assembly	RM2-7634-000	Internal assemblies (3 of 3) on page 151
Motor, DC24V	RM2-0418-000	Internal assemblies (3 of 3) on page 151
Paper delivery tray assembly	RM1-9649-000	External panels and covers on page 145
Paper pick-up assembly	RM2-6524-000	Internal assemblies (2 of 3) on page 149

Table 3-14 Alphabetical parts list (continued)

Description	Part number	Table and page
Paper pick-up sensor PCB assembly	RM2-7635-000	Internal assemblies (2 of 3) on page 149
Paper pick-up tray assembly	RM1-9677-000	External panels and covers on page 145
Roller, pickup	RL1-3642-000	Internal assemblies (2 of 3) on page 149
Roller, transfer	RM1-4023-000	Internal assemblies (2 of 3) on page 149
Scanner base ¹	CF484-40001	Scanner assembly internal components (2 of 2) on page 159
Separation pad assembly	RM1-4227-000	Internal assemblies (2 of 3) on page 149
Solenoid	RK2-0420-000	Internal assemblies (3 of 3) on page 151

Numerical parts list

Table 3-15 Numerical parts list

Part number	Description	Table and page
CF144-60142	Assembly, pick arm	Document feeder internal components on page 155
CF484-40001	Scanner base ¹¹	Scanner assembly internal components (2 of 2) on page 159
CF484-60103	Assembly, scanner/ADF (complete)	Scanner and document feeder (ADF) main assemblies on page 153
CF484-60104	Assembly, ADF cable ¹¹	Scanner assembly internal components (2 of 2) on page 159
CF484-60105	Assembly, scan module/motor cable ¹¹	Scanner assembly internal components (2 of 2) on page 159
CF484-60110	1200PPI scanner assembly	Scanner and document feeder (ADF) main assemblies on page 153
CF484-60111	Assembly, scan bezel ¹¹	Scanner assembly internal components (1 of 2) on page 157
CF484-60112	Assembly, scanner base ¹¹	Scanner assembly internal components (1 of 2) on page 157
CF484-60113	Assembly, scan drive system ¹¹	Scanner assembly internal components (2 of 2) on page 159
CF484-60116	Assembly, Auto Document Feeder	Scanner and document feeder (ADF) main assemblies on page 153
CF484-60118	Assembly, ADF core	Document feeder internal components on page 155
CF484-60120	Assembly, ADF base	Document feeder internal components on page 155
CF484-60127	Assembly, ADF cover and adjuster	Document feeder internal components on page 155
Q7400-60005	Assembly, separator pad	Document feeder internal components on page 155
RC2-9514-000	Link, cartridge door, CH IN	Internal assemblies (3 of 3) on page 151
RC2-9527-000	Link, cartridge door	Internal assemblies (1 of 3) on page 147
RC2-9531-000	Link, pressure release	Internal assemblies (1 of 3) on page 147
RC3-3902-000	Cover, dust	External panels and covers on page 145
RC3-4790-000	Cover, top	External panels and covers on page 145

Table 3-15 Numerical parts list (continued)

Part number	Description	Table and page
RC3-4792-000	Cover, right	External panels and covers on page 145
RK2-0420-000	Solenoid	Internal assemblies (3 of 3) on page 151
RK2-6691-000	Cable, flat	Internal assemblies (3 of 3) on page 151
RK2-6694-000	Fan	Internal assemblies (3 of 3) on page 151
RL1-3642-000	Roller, pickup	Internal assemblies (2 of 3) on page 149
RL1-3802-000	Cover, front	External panels and covers on page 145
RL1-3803-000	Cover, left	External panels and covers on page 145
RM1-4023-000	Roller, transfer	Internal assemblies (2 of 3) on page 149
RM1-4227-000	Separation pad assembly	Internal assemblies (2 of 3) on page 149
RM1-9649-000	Paper delivery tray assembly	External panels and covers on page 145
RM1-9654-000	Duplexing door assembly	External panels and covers on page 145
RM1-9655-000	Duplexing frame assembly	Internal assemblies (2 of 3) on page 149
RM1-9656-000	Fixing film assembly, 110-127V	Internal assemblies (1 of 3) on page 147
RM1-9657-000	Fixing film assembly, 220-240V	Internal assemblies (1 of 3) on page 147
RM1-9677-000	Paper pick-up tray assembly	External panels and covers on page 145
RM1-9890-000	Cartridge door assembly	External panels and covers on page 145
RM1-9891-000	Fixing assembly, 110-127V	Internal assemblies (1 of 3) on page 147
RM1-9892-000	Fixing assembly, 220-240V	Internal assemblies (1 of 3) on page 147
RM2-0418-000	Motor, DC24V	Internal assemblies (3 of 3) on page 151
RM2-0426-000	Laser scanner assembly	Internal assemblies (3 of 3) on page 151
RM2-6524-000	Paper pick-up assembly	Internal assemblies (2 of 3) on page 149

Table 3-15 Numerical parts list (continued)

Part number	Description	Table and page
RM2-7608-000	Duplexing PCB assembly	Internal assemblies (3 of 3) on page 151
RM2-7629-000	Delivery sensor PCB assembly	Internal assemblies (1 of 3) on page 147
RM2-7632-000	Engine control PCB assembly, 110-127V	Internal assemblies (1 of 3) on page 147
RM2-7633-000	Engine control PCB assembly, 220-240V	Internal assemblies (1 of 3) on page 147
RM2-7634-000	Motor PCB assembly	Internal assemblies (3 of 3) on page 151
RM2-7635-000	Paper pick-up sensor PCB assembly	Internal assemblies (2 of 3) on page 149
RM2-8080-000	Engine control PCB assembly, 220-240V, CH IN	Internal assemblies (1 of 3) on page 147