

---

## 3 Parts and diagrams

- [Order parts by authorized service providers](#)
- [How to use the parts lists and diagrams](#)
- [Assembly locations](#)
- [Covers](#)
- [Internal assemblies](#)
- [Scanner and document feeder \(ADF\) main assemblies](#)
- [Document feeder internal components](#)
- [Alphabetical parts list](#)
- [Numerical parts list](#)

# Order parts by authorized service providers

## Order replacement parts

**Table 3-1 Order parts, accessories, and supplies**

Order supplies and paper	<a href="http://www.hp.com/go/suresupply">www.hp.com/go/suresupply</a>
Order genuine HP parts or accessories	<a href="http://www.hp.com/buy/parts">www.hp.com/buy/parts</a>
Order through service or support providers	Contact an HP-authorized service or support provider.

## Related documentation and software

**Table 3-2 Related documentation and software**


Item	Description	Part number
HP LaserJet Pro M1530 MFP Series Printer User Guide	Product user guide	CE538-90909
HP LaserJet Pro M1530 MFP Series Printer Service Manual	English service manual (this manual)	CE538-90986
HP LaserJet Pro M1530 MFP Series Printer Service Manual Addendum	English service manual addendum, which includes procedures for removing and replacing scanner sub-assembly components	CE538-90937

## Supplies part numbers

**Table 3-3 Supplies part numbers**

Item	Description	Part number
HP LaserJet print cartridge	Print cartridge	CE278A (new)
		CE278-67901 (service)

## Whole unit replacement part numbers

 **NOTE:** Whole-unit replacement products include the formatter PCA.

**Table 3-4 Whole unit replacement part numbers**


Item	Description	Part number
HP LaserJet M1536dnf	110 V	CE538-67001 (new)
		CE538-69002 (exchange)
	220 V	CE538-67002 (new)
		CE538-69002 (exchange)

## Customer self repair parts

**Table 3-5 Customer replaceable units (CRU) kit part numbers**

Item	Description	Part number
Output bin	Output bin	RM1-7498-000CN
	Installation instructions	
Dust cover	Dust cover for the input tray	RC2-9578-000CN
	Installation instructions	
Paper pickup tray assembly	Input tray	RM1-7534-000CN
	Installation instructions	
Pickup roller	Pickup roller	RL1-1497-000CN
	Installation instructions	
Separation pad assembly	Separation pad	RM1-4227-000CN
	Installation instructions	
Document feeder input tray	Document feeder input tray	CE538-60127
	Installation instructions	


## Service parts


 **NOTE:** The parts in the following table are not shown in the assembly illustrations in this chapter.

**Table 3-6 Service parts**

Item	Description	Part number
HP jewel	HP logo	7121-8266
Regulatory label	Blank label	5969-9497

## How to use the parts lists and diagrams

 **CAUTION:** Be sure to order the correct part. When looking for part numbers for electrical components, pay careful attention to the voltage that is listed. Doing so will make sure that the part number selected is for the correct model.

 **NOTE:** In this manual, the abbreviation “PCA” stands for “printed circuit-board assembly.” Components described as a PCA might consist of a single circuit board or a circuit board plus other parts, such as cables and sensors.

The figures in this chapter show the major subassemblies in the product and their component parts. A parts list table follows each exploded view assembly diagram. Each table lists the item number, the associated part number, and the description of each part. If a part is not listed in the table, then it is not a service part.

# Assembly locations

## Locations of major components

Figure 3-1 Main assemblies

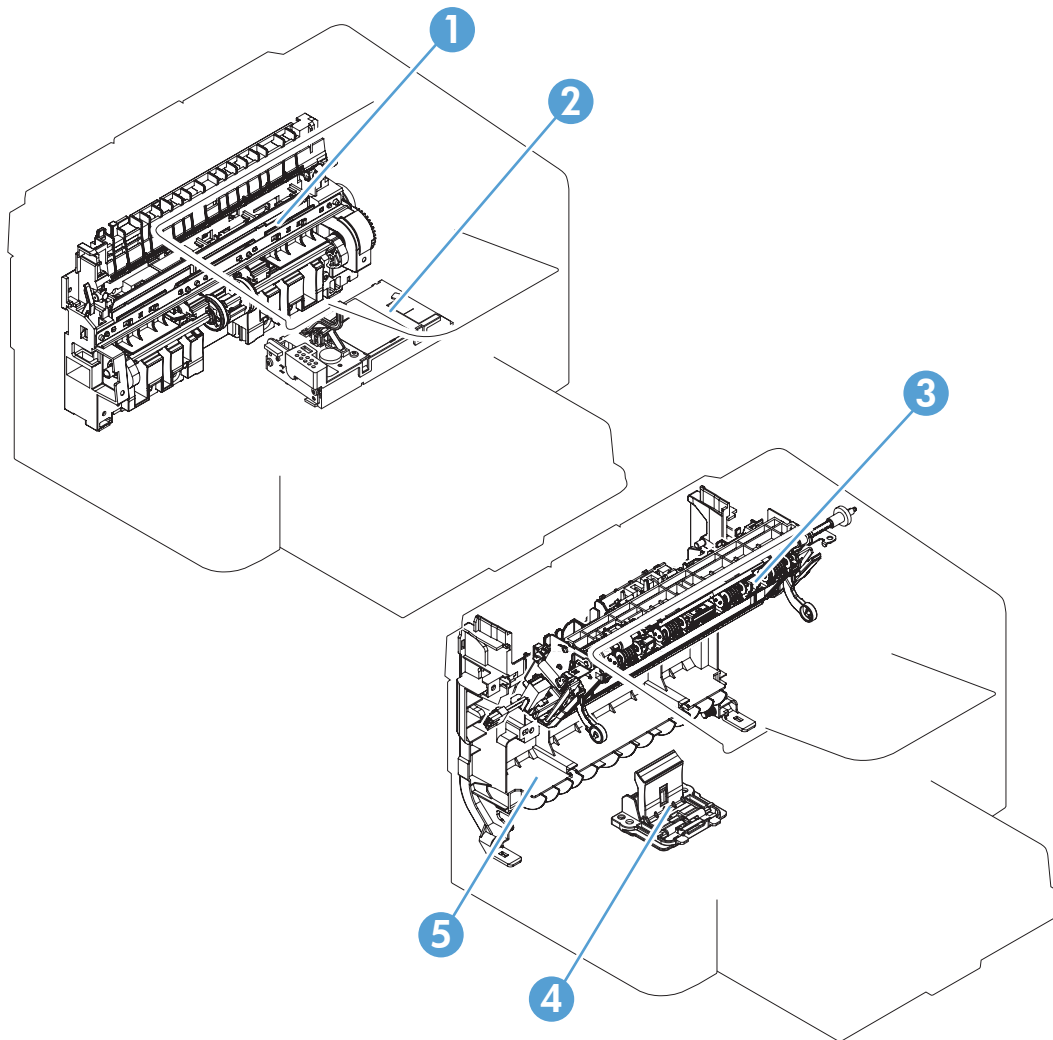
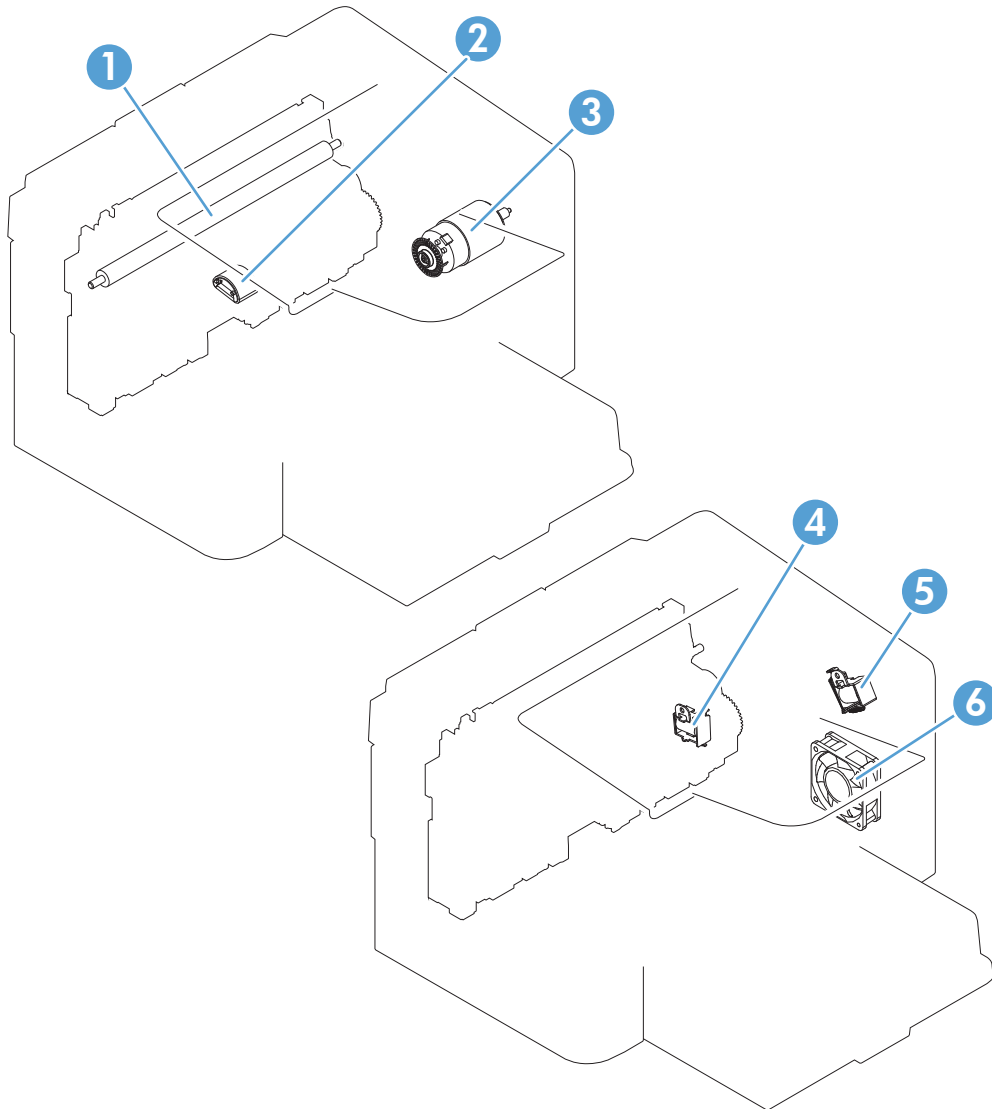


Table 3-7 Locations of major components

1	Pickup unit
2	Laser scanner unit
3	Fuser
4	Separation pad
5	Duplex frame unit

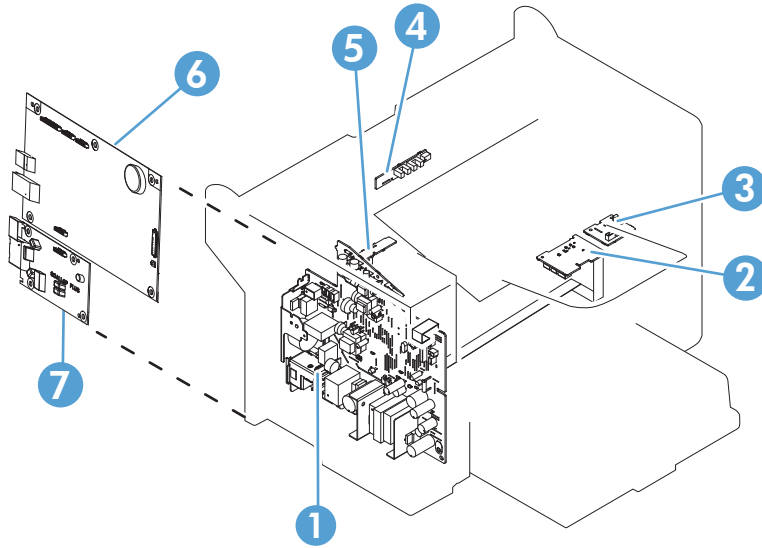
**Figure 3-2** Rollers, solenoids, and fan



**Table 3-8** Rollers, solenoids, and fan

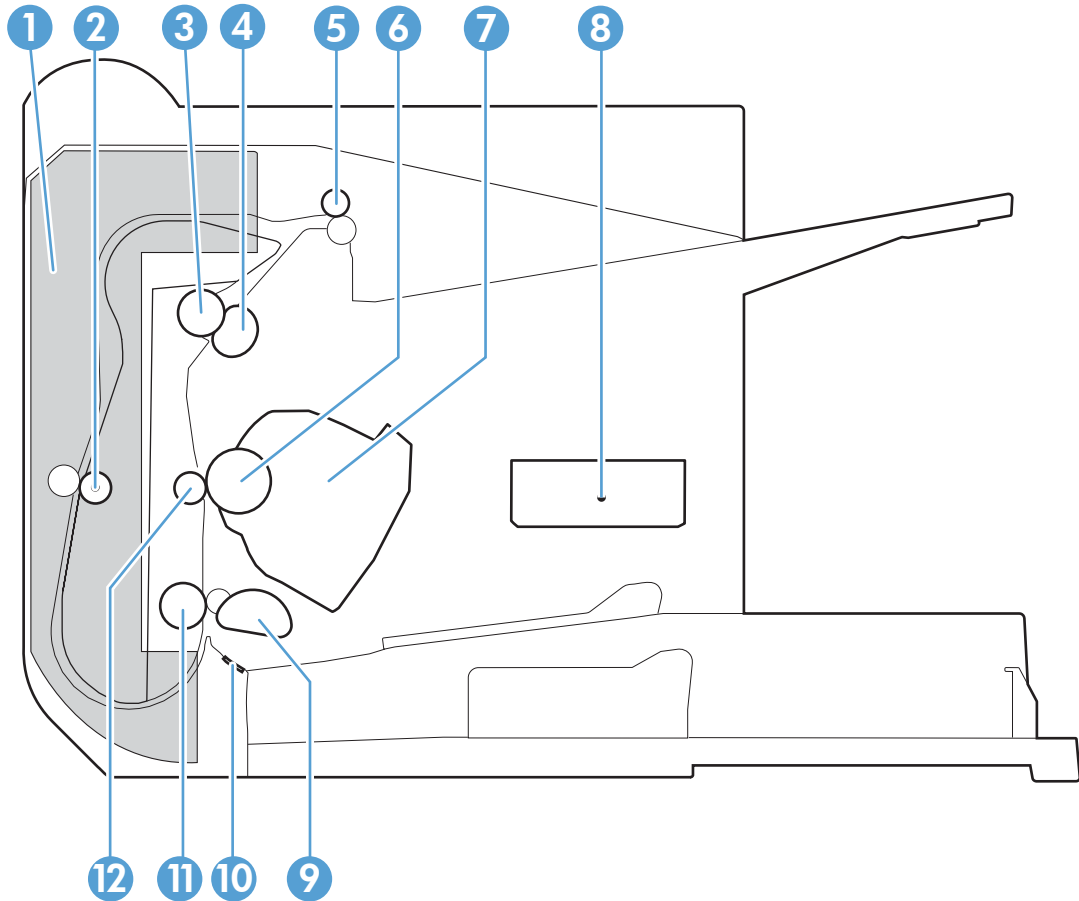
1	Transfer roller
2	Pickup roller
3	Main motor
4	Pickup solenoid
5	Duplex reverse solenoid
6	Main fan

Figure 3-3 PCA locations



1	Engine controller PCA
2	Motor PCA
3	Duplexing PCA
4	Delivery sensor PCA
5	Paper pickup sensor PCA
6	Formatter PCA
7	Fax card PCA

**Figure 3-4** Cross-sectional view

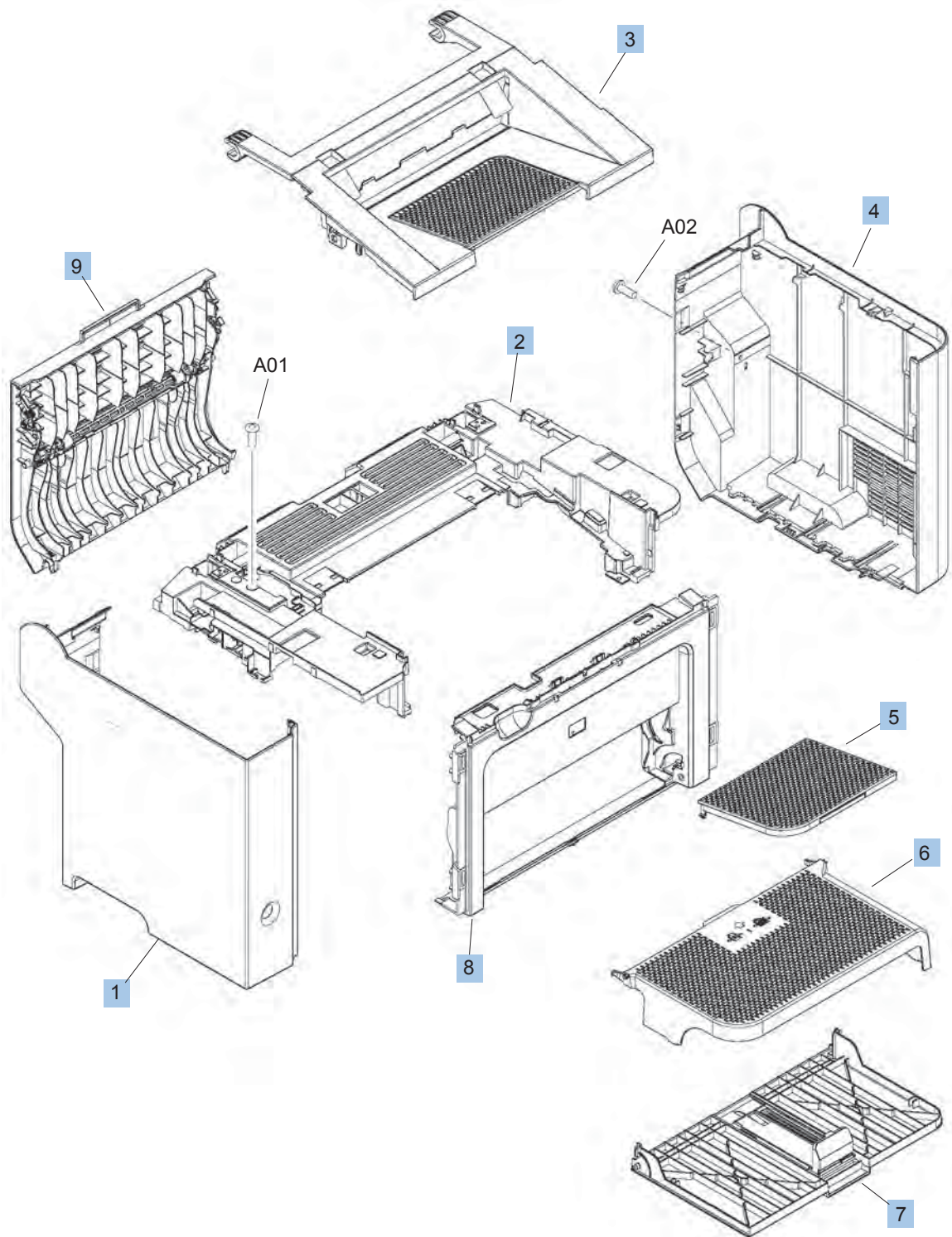


**Table 3-9** Cross-sectional view

Item	Description	Item	Description
1	Duplex feed assembly	7	Print cartridge
2	Duplex feed roller	8	Laser scanner
3	Pressure roller	9	Pickup roller
4	Fuser film assembly	10	Separation pad
5	Delivery roller	11	Feed roller
6	Photosensitive drum	12	Transfer roller

# Covers

Figure 3-5 Print engine covers





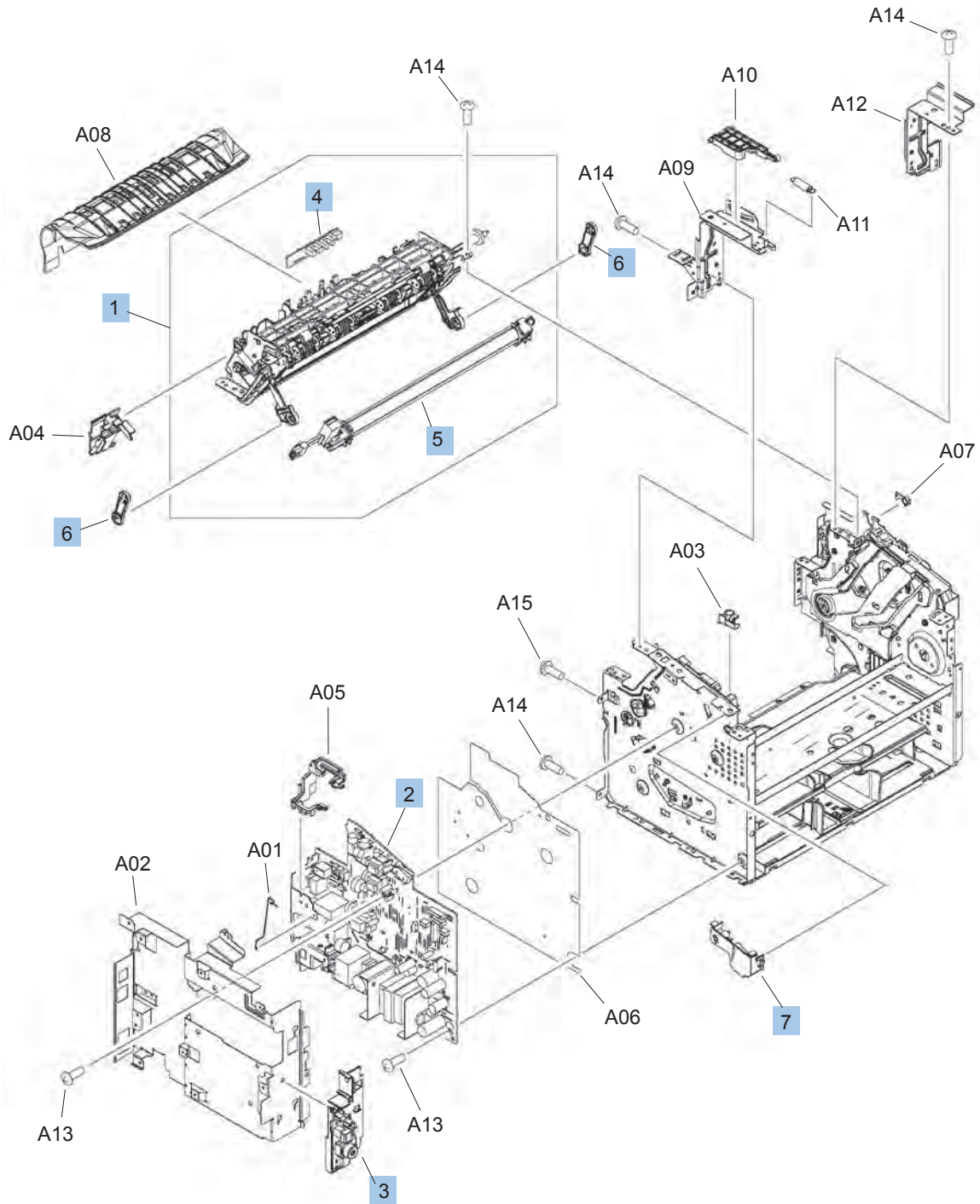
**Table 3-10 Print engine covers**

Ref	Description	Part number	Qty
1	Cover, left	RC2-9523-000CN	1
2	Cover, top	RC2-9520-000CN	1
3	Cartridge door assembly	RM1-7574-000CN	1
4	Cover, right	RC2-9522-000CN	1
5	Paper delivery tray (output bin) assembly	RM1-7498-000CN	1
6	Cover, dust	RC2-9578-000CN	1
7	Paper pickup tray assembly (input tray)	RM1-7534-000CN	1
8	Cover, front	RL1-2899-000CN	1
9	Duplexing door assembly (rear cover)	RM1-7526-000CN	1

# Internal assemblies

## Internal assemblies (1 of 4)

Figure 3-6 Internal assemblies (1 of 4)

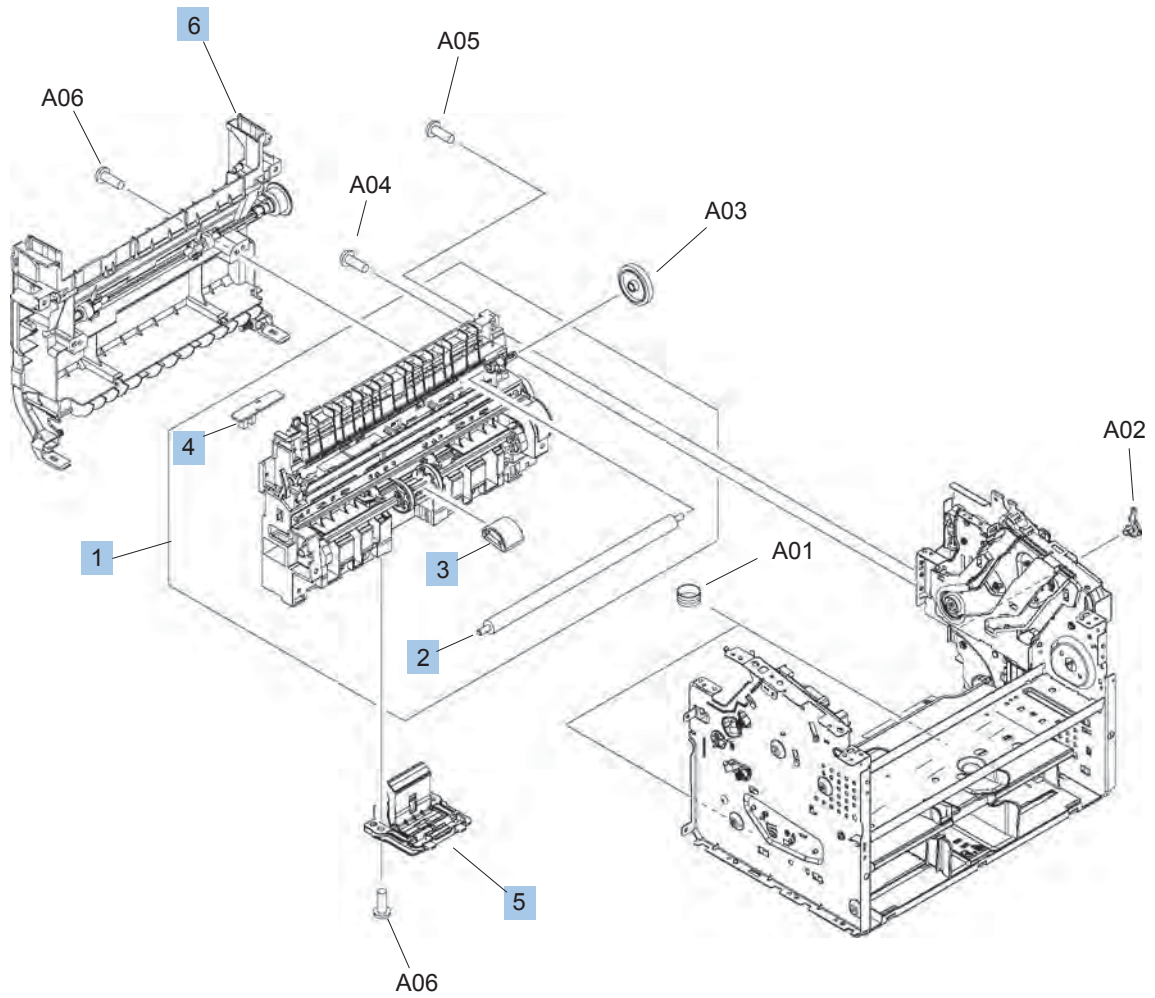


**Table 3-11 Internal assemblies (1 of 4)**

Ref	Description	Part number	Qty
1	Fuser, 110 volt	RM1-7576-000CN	1
1	Fuser, 220 volt	RM1-7577-000CN	1
2	Engine controller PCA, 110 volt	RM1-7629-000CN	1
2	Engine controller PCA, 220 volt	RM1-7630-000CN	1
3	Power switch assembly	RM1-7573-000CN	1
4	Delivery sensor PCA	RM1-7440-000CN	1
5	Fuser film assembly, 110 volt	RM1-7541-000CN	1
5	Fuser film assembly, 220 volt	RM1-7542-000CN	1
6	Link, pressure release	RC2-9531-000CN	2
7	Switch lever assembly	RM1-7531-000CN	1

## Internal assemblies (2 of 4)

Figure 3-7 Internal assemblies (2 of 4)

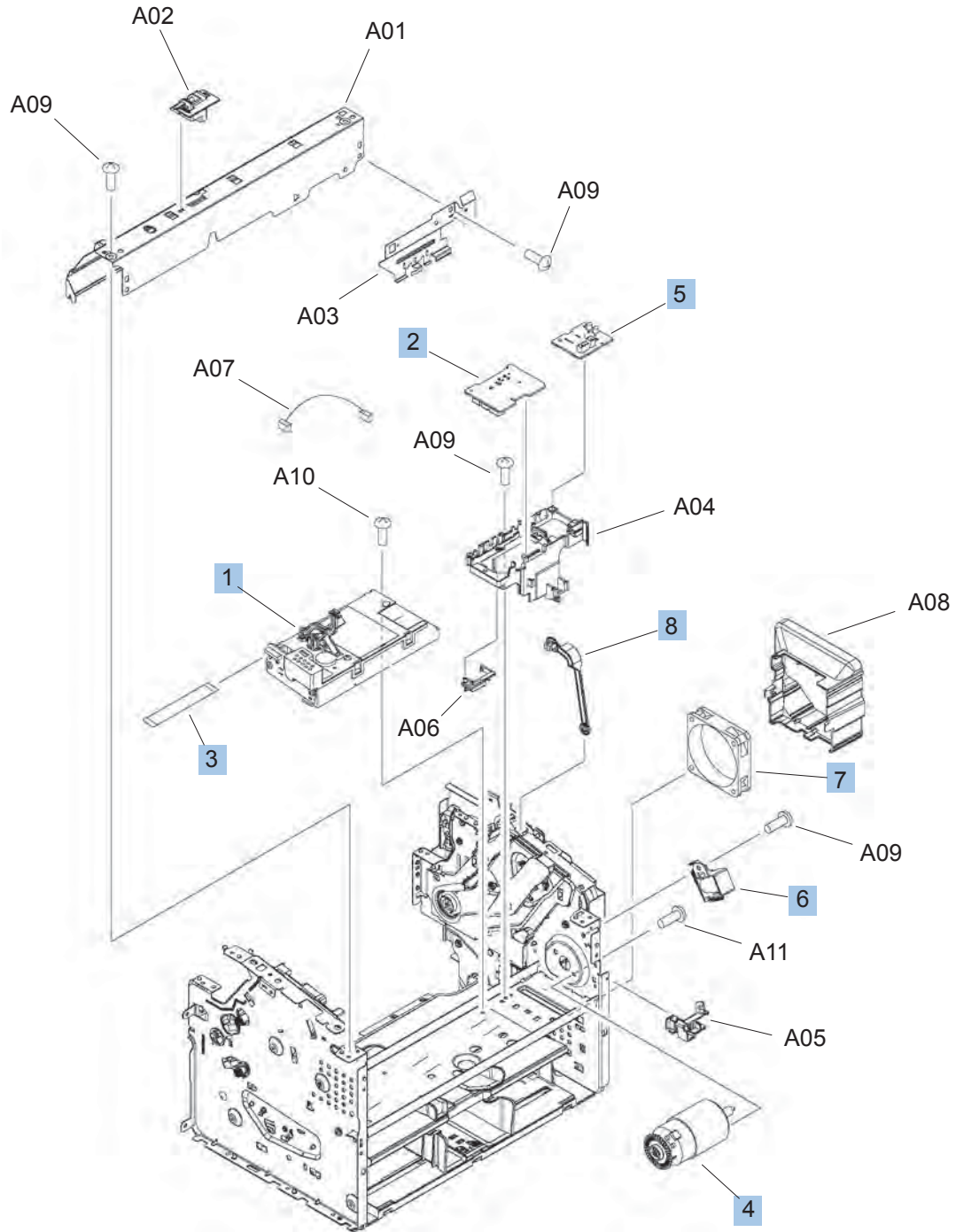


**Table 3-12 Internal assemblies (2 of 4)**

Ref	Description	Part number	Qty
1	Paper pickup assembly	RM1-7575-000CN	1
2	Transfer roller	RM1-4023-000CN	1
3	Roller, pickup	RL1-1497-000CN	1
4	Paper pickup sensor PCA	RM1-7632-000CN	1
5	Separation pad assembly	RM1-4227-000CN	1
6	Duplex frame assembly	RM1-7525-000CN	1

## Internal assemblies (3 of 4)

Figure 3-8 Internal assemblies (3 of 4)

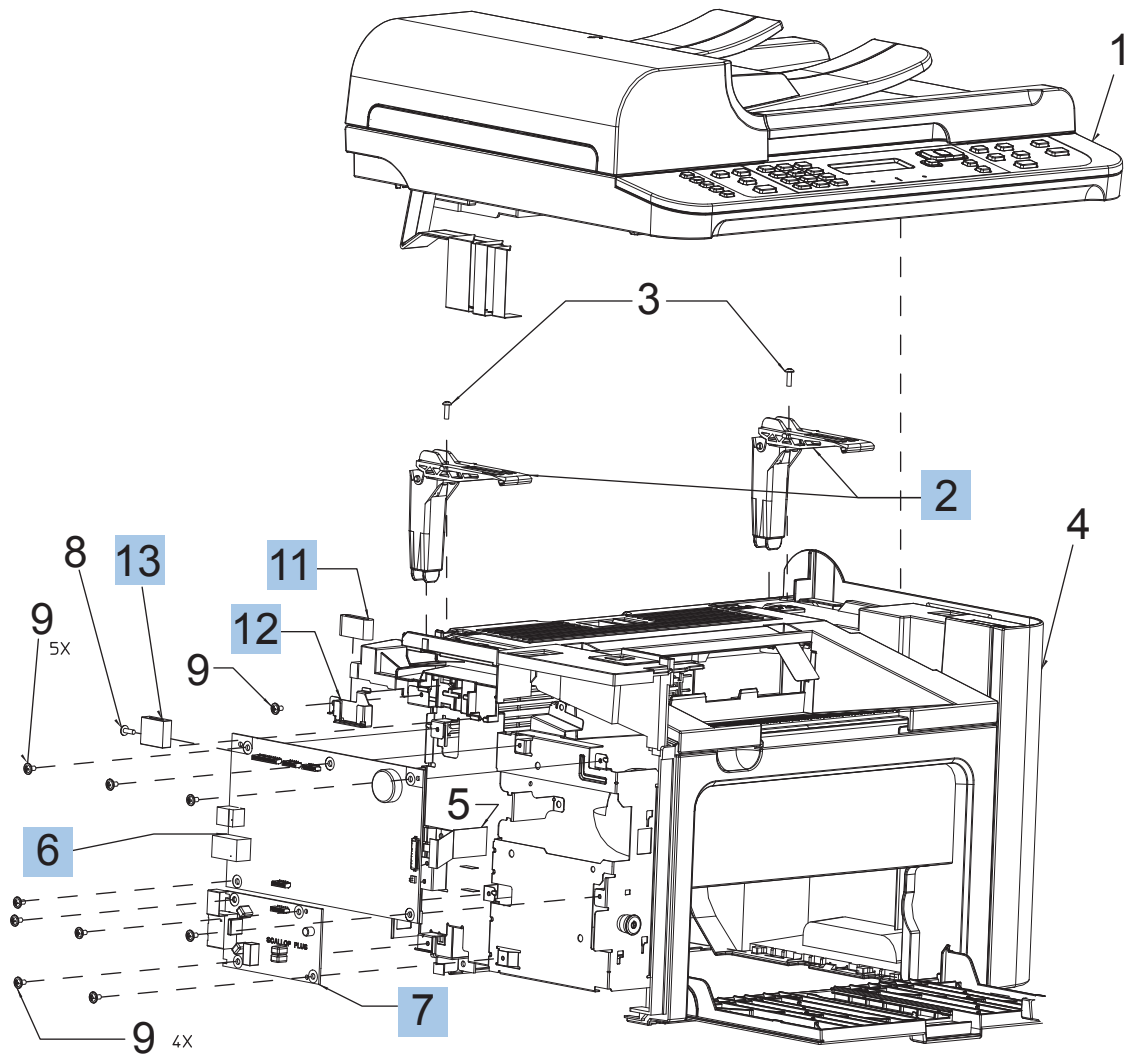


**Table 3-13 Internal assemblies (3 of 4)**

Ref	Description	Part number	Qty
1	Laser scanner assembly	RM1-7560-000CN	1
2	Motor PCA	RM1-7633-000CN	1
3	Cable, flat	RM1-7739-000CN	1
4	Motor, DC24V	RM1-7544-000CN	1
5	Duplex PCA	RM1-7620-000CN	1
6	Solenoid, duplex	RK2-0420-000CN	1
7	Fan	RK2-3438-000CN	1
8	Link, cartridge door	RC2-9514-000CN	1

## Internal assemblies (4 of 4)

Figure 3-9 Internal assemblies (4 of 4)



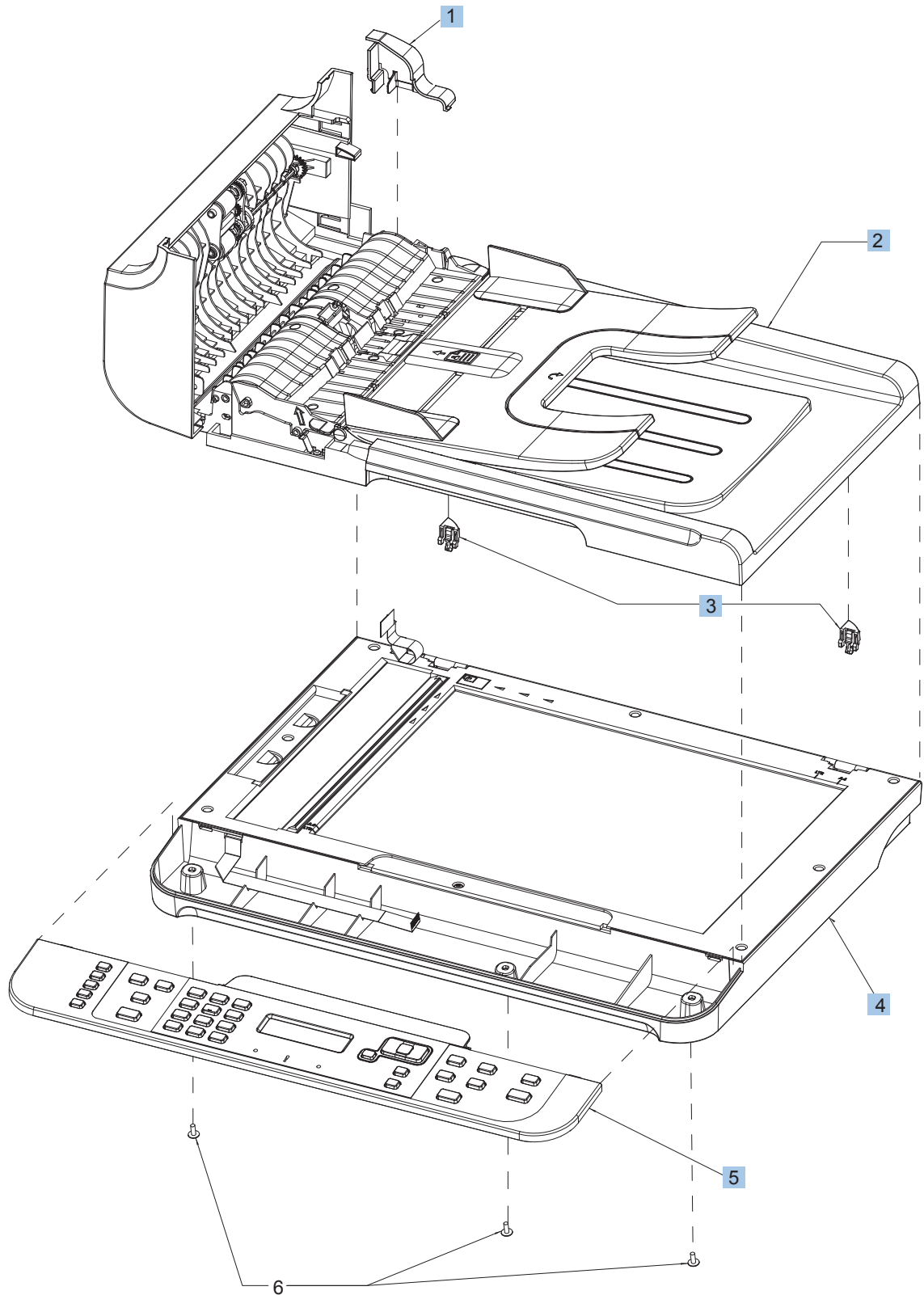


**Table 3-14 Internal assemblies (4 of 4)**

Ref	Description	Part number	Qty
2	Hinge, scanner sub-assembly	CE538-60135	2
5	Cable, formatter FFC	CE538-60134	1
6	Formatter	CE544-60001	1
7	Fax Board-US	CE682-60001	1
7	Fax Board-EU	CE683-60001	1
11	Core-ferrite flat cable ROHS	9170-2385	1
12	Clip, ferrite	CB534-00010	1
13	Core-ferrite rectangle EMI ROHS	9170-1821	1

# Scanner and document feeder (ADF) main assemblies

Figure 3-10 Scanner and document feeder main assemblies

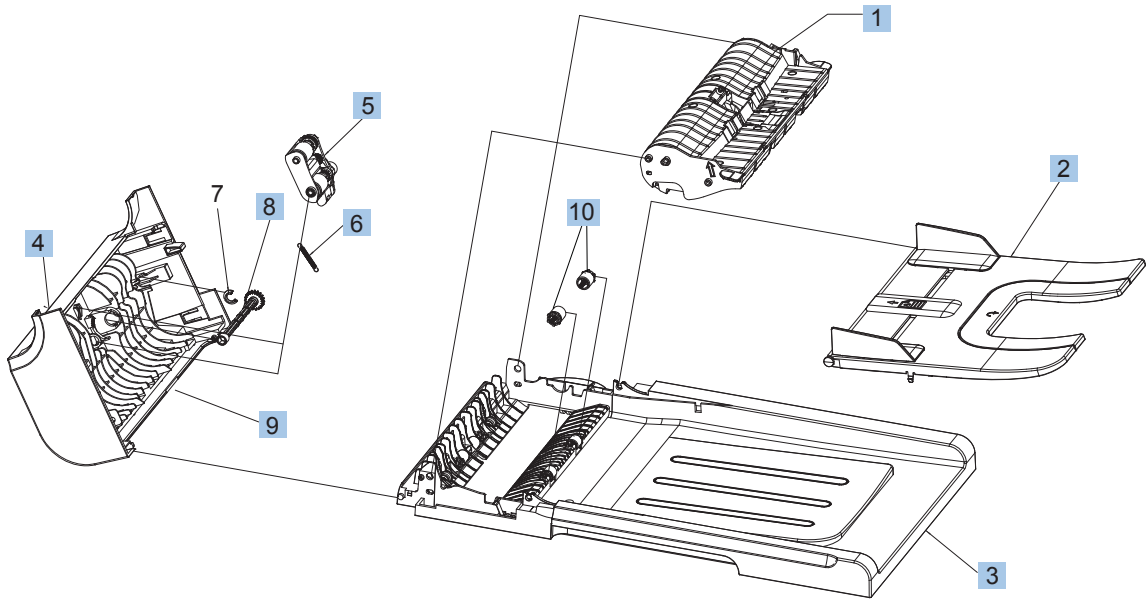


**Table 3-15 Scanner and document feeder main assemblies**

Ref	Description	Part number	Qty
1	Document feeder (ADF) motor cover	CE538-40015	1
2	Document feeder (ADF) assembly	CE538-60121	1
3	Solar lock, document feeder	CE538-40031	2
4	Scanner assembly	CE538-60118	1
5	Control panel assembly, Western	CE539-60101	1
5	Control panel assembly, Asian	CE539-60102	1
N/A	Hinge, floating (not shown)	CE538-40006	2

# Document feeder internal components

Figure 3-11 Document feeder assembly parts



**Table 3-16 Document feeder assembly parts**

Ref	Description	Part number	Qty
1	Document feeder (ADF) core assembly	CE538-60122	1
2	Document feeder (ADF) input tray	CE538-60127	1
3	Document feeder (ADF) base	CE538-60126	1
4	Document feeder (ADF) cover, outer	CE538-40009	1
5	Document feeder (ADF) pick arm assembly	CE538-60137	1
6	Spring, document feeder (ADF) extension (pre-pick)	Q7400-00011	1
8	Shaft, document feeder (ADF) pick extension	Q7400-40047	1
9	Document feeder (ADF) cover, inner	CE538-40008	1
10	Roller assembly, document feeder (ADF) post-scan pinch	Q7400-60153	2

# Alphabetical parts list

**Table 3-17 Alphabetical parts list**

Description	Part number	Table and page
Cable, flat	RM1-7739-000CN	<a href="#">Internal assemblies (3 of 4) on page 207</a>
Cable, formatter FFC	CE538-60134	<a href="#">Internal assemblies (4 of 4) on page 209</a>
Cartridge door assembly	RM1-7574-000CN	<a href="#">Print engine covers on page 201</a>
Clip, ferrite	CB534-00010	<a href="#">Internal assemblies (4 of 4) on page 209</a>
Control panel assembly, Asian	CE539-60102	<a href="#">Scanner and document feeder main assemblies on page 211</a>
Control panel assembly, Western	CE539-60101	<a href="#">Scanner and document feeder main assemblies on page 211</a>
Core-ferrite flat cable ROHS	9170-2385	<a href="#">Internal assemblies (4 of 4) on page 209</a>
Core-ferrite rectangle EMI ROHS	9170-1821	<a href="#">Internal assemblies (4 of 4) on page 209</a>
Cover, dust	RC2-9578-000CN	<a href="#">Print engine covers on page 201</a>
Cover, front	RL1-2899-000CN	<a href="#">Print engine covers on page 201</a>
Cover, left	RC2-9523-000CN	<a href="#">Print engine covers on page 201</a>
Cover, right	RC2-9522-000CN	<a href="#">Print engine covers on page 201</a>
Cover, top	RC2-9520-000CN	<a href="#">Print engine covers on page 201</a>
Delivery sensor PCA	RM1-7440-000CN	<a href="#">Internal assemblies (1 of 4) on page 203</a>
Document feeder (ADF) assembly	CE538-60121	<a href="#">Scanner and document feeder main assemblies on page 211</a>
Document feeder (ADF) base	CE538-60126	<a href="#">Document feeder assembly parts on page 213</a>
Document feeder (ADF) core assembly	CE538-60122	<a href="#">Document feeder assembly parts on page 213</a>
Document feeder (ADF) cover, inner	CE538-40008	<a href="#">Document feeder assembly parts on page 213</a>
Document feeder (ADF) cover, outer	CE538-40009	<a href="#">Document feeder assembly parts on page 213</a>
Document feeder (ADF) input tray	CE538-60127	<a href="#">Document feeder assembly parts on page 213</a>
Document feeder (ADF) motor cover	CE538-40015	<a href="#">Scanner and document feeder main assemblies on page 211</a>

**Table 3-17 Alphabetical parts list (continued)**

Description	Part number	Table and page
Document feeder (ADF) pick arm assembly	CE538-60137	<a href="#">Document feeder assembly parts on page 213</a>
Duplex frame assembly	RM1-7525-000CN	<a href="#">Internal assemblies (2 of 4) on page 205</a>
Duplex PCA	RM1-7620-000CN	<a href="#">Internal assemblies (3 of 4) on page 207</a>
Duplexing door assembly (rear cover)	RM1-7526-000CN	<a href="#">Print engine covers on page 201</a>
Engine controller PCA, 110 volt	RM1-7629-000CN	<a href="#">Internal assemblies (1 of 4) on page 203</a>
Engine controller PCA, 220 volt	RM1-7630-000CN	<a href="#">Internal assemblies (1 of 4) on page 203</a>
Fan	RK2-3438-000CN	<a href="#">Internal assemblies (3 of 4) on page 207</a>
Fax Board-EU	CE683-60001	<a href="#">Internal assemblies (4 of 4) on page 209</a>
Fax Board-US	CE682-60001	<a href="#">Internal assemblies (4 of 4) on page 209</a>
Formatter	CE544-60001	<a href="#">Internal assemblies (4 of 4) on page 209</a>
Fuser film assembly, 110 volt	RM1-7541-000CN	<a href="#">Internal assemblies (1 of 4) on page 203</a>
Fuser film assembly, 220 volt	RM1-7542-000CN	<a href="#">Internal assemblies (1 of 4) on page 203</a>
Fuser, 110 volt	RM1-7576-000CN	<a href="#">Internal assemblies (1 of 4) on page 203</a>
Fuser, 220 volt	RM1-7577-000CN	<a href="#">Internal assemblies (1 of 4) on page 203</a>
Hinge, floating (not shown)	CE538-40006	<a href="#">Scanner and document feeder main assemblies on page 211</a>
Hinge, scanner sub-assembly	CE538-60135	<a href="#">Internal assemblies (4 of 4) on page 209</a>
Laser scanner assembly	RM1-7560-000CN	<a href="#">Internal assemblies (3 of 4) on page 207</a>
Link, cartridge door	RC2-9514-000CN	<a href="#">Internal assemblies (3 of 4) on page 207</a>
Link, pressure release	RC2-9531-000CN	<a href="#">Internal assemblies (1 of 4) on page 203</a>
Motor PCA	RM1-7633-000CN	<a href="#">Internal assemblies (3 of 4) on page 207</a>
Motor, DC24V	RM1-7544-000CN	<a href="#">Internal assemblies (3 of 4) on page 207</a>
Paper delivery tray (output bin) assembly	RM1-7498-000CN	<a href="#">Print engine covers on page 201</a>

**Table 3-17 Alphabetical parts list (continued)**

Description	Part number	Table and page
Paper pickup assembly	RM1-7575-000CN	<a href="#">Internal assemblies (2 of 4) on page 205</a>
Paper pickup sensor PCA	RM1-7632-000CN	<a href="#">Internal assemblies (2 of 4) on page 205</a>
Paper pickup tray assembly (input tray)	RM1-7534-000CN	<a href="#">Print engine covers on page 201</a>
Power switch assembly	RM1-7573-000CN	<a href="#">Internal assemblies (1 of 4) on page 203</a>
Roller assembly, document feeder (ADF) post-scan pinch	Q7400-60153	<a href="#">Document feeder assembly parts on page 213</a>
Roller, pickup	RL1-1497-000CN	<a href="#">Internal assemblies (2 of 4) on page 205</a>
Scanner assembly	CE538-60118	<a href="#">Scanner and document feeder main assemblies on page 211</a>
Separation pad assembly	RM1-4227-000CN	<a href="#">Internal assemblies (2 of 4) on page 205</a>
Shaft, document feeder (ADF) pick extension	Q7400-40047	<a href="#">Document feeder assembly parts on page 213</a>
Solar lock, document feeder	CE538-40031	<a href="#">Scanner and document feeder main assemblies on page 211</a>
Solenoid, duplex	RK2-0420-000CN	<a href="#">Internal assemblies (3 of 4) on page 207</a>
Spring, document feeder (ADF) extension (pre-pick)	Q7400-00011	<a href="#">Document feeder assembly parts on page 213</a>
Switch lever assembly	RM1-7531-000CN	<a href="#">Internal assemblies (1 of 4) on page 203</a>
Transfer roller	RM1-4023-000CN	<a href="#">Internal assemblies (2 of 4) on page 205</a>



# Numerical parts list

**Table 3-18 Numerical parts list**

Part number	Description	Table and page
9170-1821	Core-ferrite rectangle EMI ROHS	<a href="#">Internal assemblies (4 of 4) on page 209</a>
9170-2385	Core-ferrite flat cable ROHS	<a href="#">Internal assemblies (4 of 4) on page 209</a>
CB534-00010	Clip, ferrite	<a href="#">Internal assemblies (4 of 4) on page 209</a>
CE538-40006	Hinge, floating (not shown)	<a href="#">Scanner and document feeder main assemblies on page 211</a>
CE538-40008	Document feeder (ADF) cover, inner	<a href="#">Document feeder assembly parts on page 213</a>
CE538-40009	Document feeder (ADF) cover, outer	<a href="#">Document feeder assembly parts on page 213</a>
CE538-40015	Document feeder (ADF) motor cover	<a href="#">Scanner and document feeder main assemblies on page 211</a>
CE538-40031	Solar lock, document feeder	<a href="#">Scanner and document feeder main assemblies on page 211</a>
CE538-60118	Scanner assembly	<a href="#">Scanner and document feeder main assemblies on page 211</a>
CE538-60121	Document feeder (ADF) assembly	<a href="#">Scanner and document feeder main assemblies on page 211</a>
CE538-60122	Document feeder (ADF) core assembly	<a href="#">Document feeder assembly parts on page 213</a>
CE538-60126	Document feeder (ADF) base	<a href="#">Document feeder assembly parts on page 213</a>
CE538-60127	Document feeder (ADF) input tray	<a href="#">Document feeder assembly parts on page 213</a>
CE538-60134	Cable, formatter FFC	<a href="#">Internal assemblies (4 of 4) on page 209</a>
CE538-60135	Hinge, scanner sub-assembly	<a href="#">Internal assemblies (4 of 4) on page 209</a>
CE538-60137	Document feeder (ADF) pick arm assembly	<a href="#">Document feeder assembly parts on page 213</a>
CE539-60101	Control panel assembly, Western	<a href="#">Scanner and document feeder main assemblies on page 211</a>
CE539-60102	Control panel assembly, Asian	<a href="#">Scanner and document feeder main assemblies on page 211</a>
CE544-60001	Formatter	<a href="#">Internal assemblies (4 of 4) on page 209</a>
CE682-60001	Fax Board-US	<a href="#">Internal assemblies (4 of 4) on page 209</a>
CE683-60001	Fax Board-EU	<a href="#">Internal assemblies (4 of 4) on page 209</a>

**Table 3-18 Numerical parts list (continued)**

Part number	Description	Table and page
Q7400-00011	Spring, document feeder (ADF) extension (pre-pick)	<a href="#">Document feeder assembly parts on page 213</a>
Q7400-40047	Shaft, document feeder (ADF) pick extension	<a href="#">Document feeder assembly parts on page 213</a>
Q7400-60153	Roller assembly, document feeder (ADF) post-scan pinch	<a href="#">Document feeder assembly parts on page 213</a>
RC2-9514-000CN	Link, cartridge door	<a href="#">Internal assemblies (3 of 4) on page 207</a>
RC2-9520-000CN	Cover, top	<a href="#">Print engine covers on page 201</a>
RC2-9522-000CN	Cover, right	<a href="#">Print engine covers on page 201</a>
RC2-9523-000CN	Cover, left	<a href="#">Print engine covers on page 201</a>
RC2-9531-000CN	Link, pressure release	<a href="#">Internal assemblies (1 of 4) on page 203</a>
RC2-9578-000CN	Cover, dust	<a href="#">Print engine covers on page 201</a>
RK2-0420-000CN	Solenoid, duplex	<a href="#">Internal assemblies (3 of 4) on page 207</a>
RK2-3438-000CN	Fan	<a href="#">Internal assemblies (3 of 4) on page 207</a>
RL1-1497-000CN	Roller, pickup	<a href="#">Internal assemblies (2 of 4) on page 205</a>
RL1-2899-000CN	Cover, front	<a href="#">Print engine covers on page 201</a>
RM1-4023-000CN	Transfer roller	<a href="#">Internal assemblies (2 of 4) on page 205</a>
RM1-4227-000CN	Separation pad assembly	<a href="#">Internal assemblies (2 of 4) on page 205</a>
RM1-7440-000CN	Delivery sensor PCA	<a href="#">Internal assemblies (1 of 4) on page 203</a>
RM1-7498-000CN	Paper delivery tray (output bin) assembly	<a href="#">Print engine covers on page 201</a>
RM1-7525-000CN	Duplex frame assembly	<a href="#">Internal assemblies (2 of 4) on page 205</a>
RM1-7526-000CN	Duplexing door assembly (rear cover)	<a href="#">Print engine covers on page 201</a>
RM1-7531-000CN	Switch lever assembly	<a href="#">Internal assemblies (1 of 4) on page 203</a>
RM1-7534-000CN	Paper pickup tray assembly (input tray)	<a href="#">Print engine covers on page 201</a>
RM1-7541-000CN	Fuser film assembly, 110 volt	<a href="#">Internal assemblies (1 of 4) on page 203</a>

**Table 3-18 Numerical parts list (continued)**

<b>Part number</b>	<b>Description</b>	<b>Table and page</b>
RM1-7542-000CN	Fuser film assembly, 220 volt	<a href="#">Internal assemblies (1 of 4) on page 203</a>
RM1-7544-000CN	Motor, DC24V	<a href="#">Internal assemblies (3 of 4) on page 207</a>
RM1-7560-000CN	Laser scanner assembly	<a href="#">Internal assemblies (3 of 4) on page 207</a>
RM1-7573-000CN	Power switch assembly	<a href="#">Internal assemblies (1 of 4) on page 203</a>
RM1-7574-000CN	Cartridge door assembly	<a href="#">Print engine covers on page 201</a>
RM1-7575-000CN	Paper pickup assembly	<a href="#">Internal assemblies (2 of 4) on page 205</a>
RM1-7576-000CN	Fuser, 110 volt	<a href="#">Internal assemblies (1 of 4) on page 203</a>
RM1-7577-000CN	Fuser, 220 volt	<a href="#">Internal assemblies (1 of 4) on page 203</a>
RM1-7620-000CN	Duplex PCA	<a href="#">Internal assemblies (3 of 4) on page 207</a>
RM1-7629-000CN	Engine controller PCA, 110 volt	<a href="#">Internal assemblies (1 of 4) on page 203</a>
RM1-7630-000CN	Engine controller PCA, 220 volt	<a href="#">Internal assemblies (1 of 4) on page 203</a>
RM1-7632-000CN	Paper pickup sensor PCA	<a href="#">Internal assemblies (2 of 4) on page 205</a>
RM1-7633-000CN	Motor PCA	<a href="#">Internal assemblies (3 of 4) on page 207</a>
RM1-7739-000CN	Cable, flat	<a href="#">Internal assemblies (3 of 4) on page 207</a>

