

7. Parts catalog

How to use this parts catalog

The following legend is used in the parts catalog:

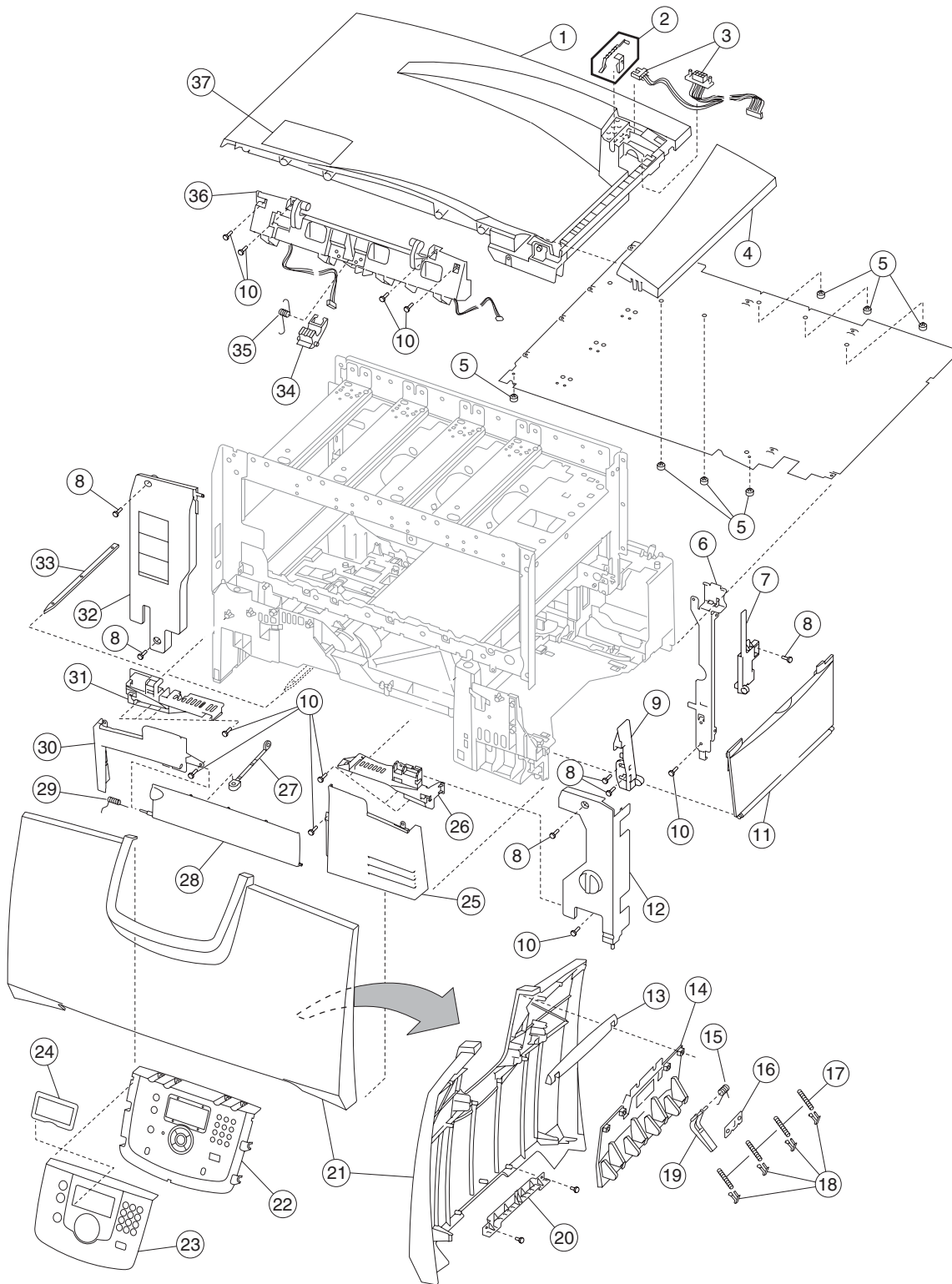
Asm-Index	Part number	Units/mach - OR - Units/option	Units/ FRU	Description
-----------	-------------	--------------------------------------	---------------	-------------

- **Asm-index:** identifies the assembly and the item in the diagram. For example, 3-1 indicates Assembly 3 and the item number 1.
- **Part number:** identifies the unique number that identifies this FRU.
- **Units/mach:** refers to the number of units actually used in the base machine or product.
- **Units/option:** refers to the number of units used in the option and does not include the base machine.
- **Units/kit or pkg:** refers to the number of units packaged together and identified by the part number.
- **NS:** (Not shown) in the Asm-Index column indicates that the part is procurable but is not pictured in the illustration.
- **NA:** (Not available) in the parts description column indicates the part is shown for identification purposes only and is not available as a FRU.

The Lexmark C77x (506x-4xx) laser printer is available in four models:

Name	Machine type/model	Description	Abbreviation used in parts catalog
Lexmark C770	5061-110	Network	110
Lexmark C772	5061-310	Network	310
Lexmark C780n	5061-210	Network	210
Lexmark C782n	5061-410	Network	410

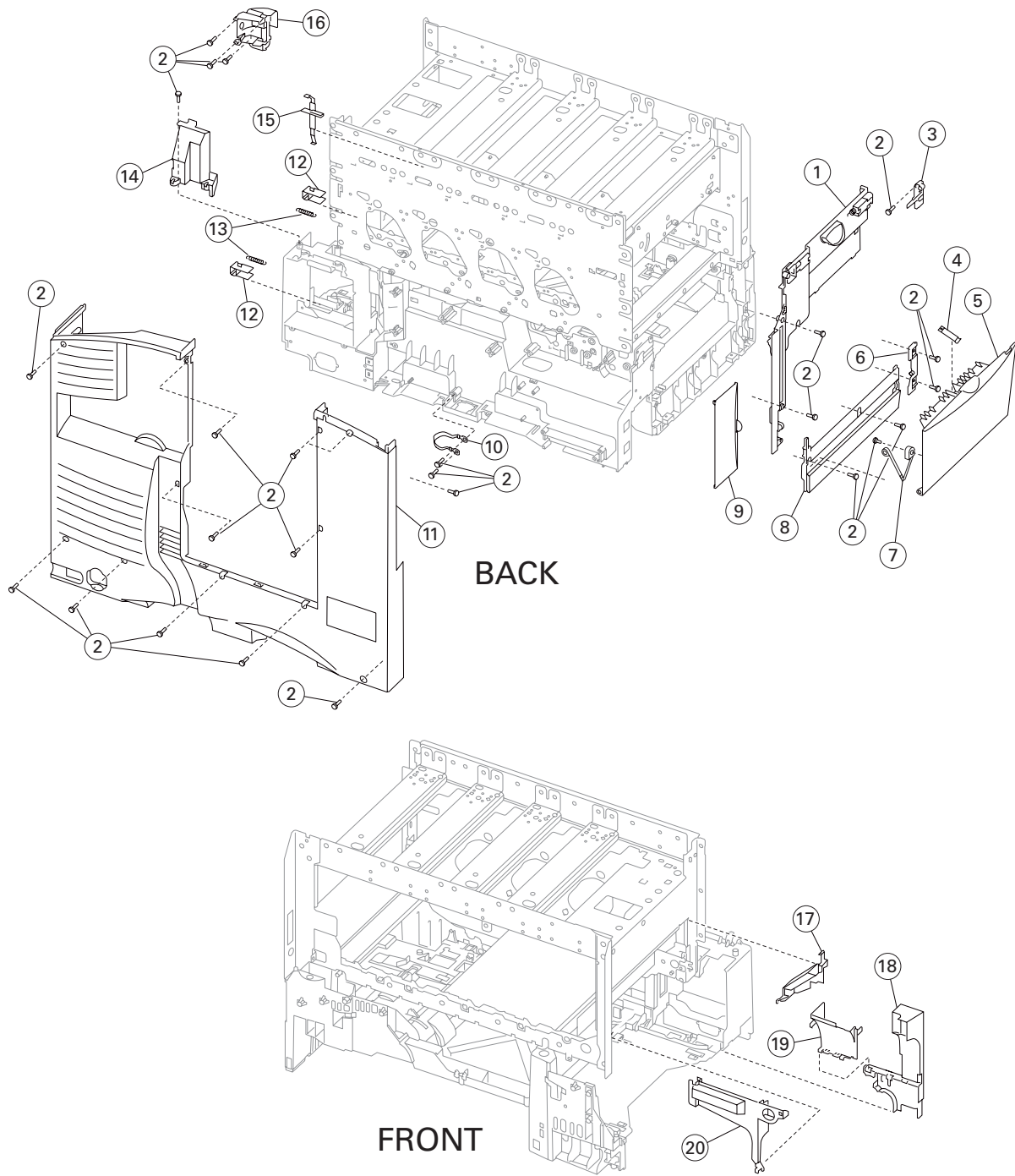
Assembly 1: Covers



Assembly 1: Covers

Asm-Index	Part number	Units/mach	Units/FRU	Description
1-1	40X1628	1	1	Top cover assembly Also order cable tie parts packet (P/N 40X1648)
2	40X1631	1	1	250 output flag and retainer
3	40X1637	1	1	Top autoconnect and output bin sensor—1xx/3xx only
3	40X1777	1	1	Top autoconnect and output bin sensor—2xx/4xx
4	40X1638	1	1	Redrive cap cover assembly
5	40X1601	7	1	Machine pad
6	40X1602	1	1	Top front support bracket
7	40X1622	1	1	Right rear cover
8		3	3	Screw type 324, parts packet (40X1635)
9	40X1620	1	1	Right front cover
10		12	12	Screw type 323, parts packet (40X1633)
11	40X1634	1	1	Lower right door assembly
12	40X1605	1	1	Front right light shield
13	40X1615	1	1	Front cover rear pivot cover
14	40X1607	1	1	Front cover backplate assembly
15	40X1608	1	1	Detent link spring
16	40X1672	1	1	Bellcrank detent bearing
17	40X1636	4	1	Rear hold down spring
18	40X1610	4	1	Front hold down bellcrank
19	40X1609	1	1	Detent link
20	40X1623	1	1	Front access door handle
21	40X1614	1	1	Front cover
22	40X1626	1	1	Operator panel assembly
23	40X1625	1	1	Operator panel bezel with overlays—1xx only
23	40X1822	1	1	Operator panel bezel with overlays—2xx only
23	40X1624	1	1	Operator panel bezel with overlays—3xx only
23	40X1874	1	1	Operator panel bezel with overlays—4xx only
24	40X1627	1	1	Clear LCD lens
25	40X1621	1	1	Front lower right cover
26	40X1629	1	1	Front right handle cover assembly
27	40X1867	1	1	Reference edge nip release strap
28	40X1619	1	1	Paper path access door
29	40X1603	1	1	Paper path access door spring
30	40X1618	1	1	Front lower left cover
31	40X1630	1	1	Front left handle cover assembly
32	40X1604	1	1	Left front light shield cover
33	40X1606	1	1	Paper tray guide
34	40X1612	1	1	Detent bellcrank
35	40X1613	1	1	Bellcrank detent spring
36	40X1611	1	1	Front access door support
37	40X1616	1	1	Top paper jam label—3xx/4xx only
37	40X1617	1	1	Top paper jam label—1xx/2xx only

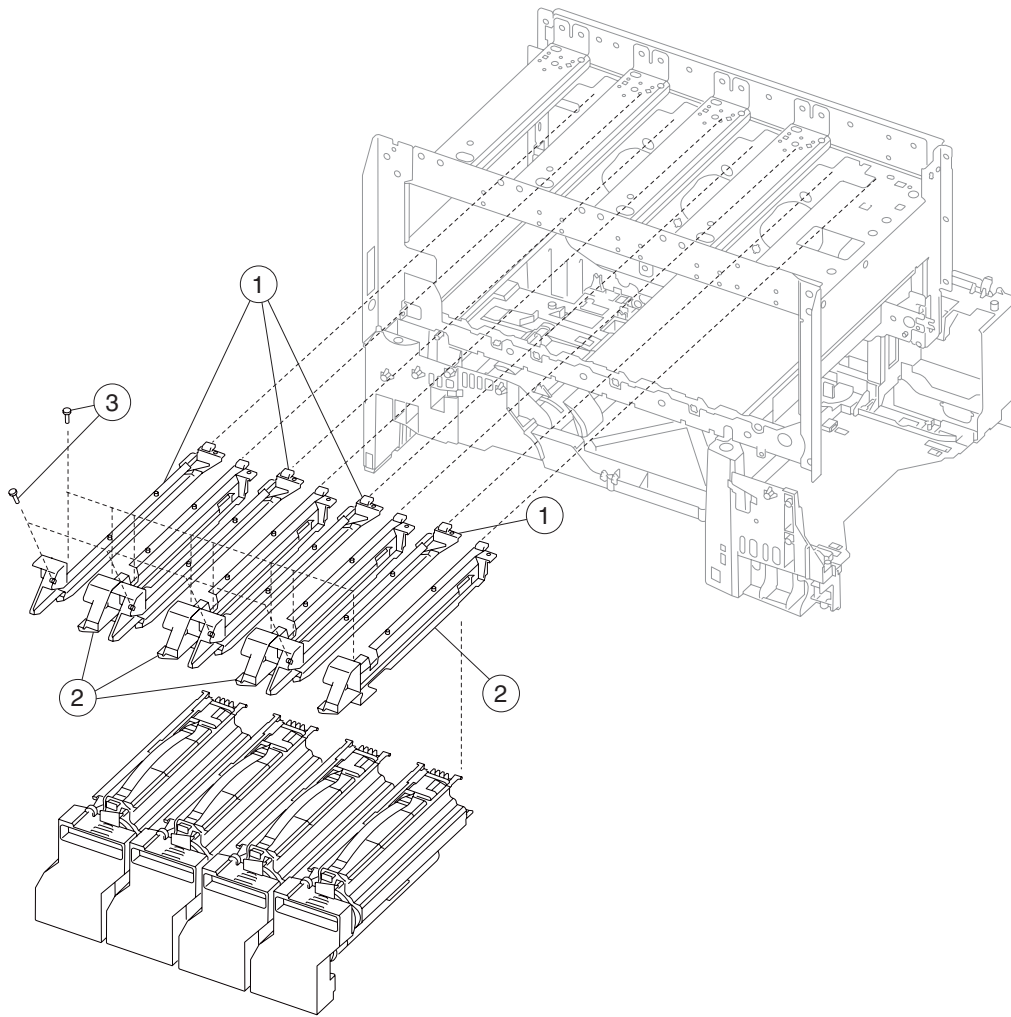
Assembly 1.1: Covers



Assembly 1.1: Covers

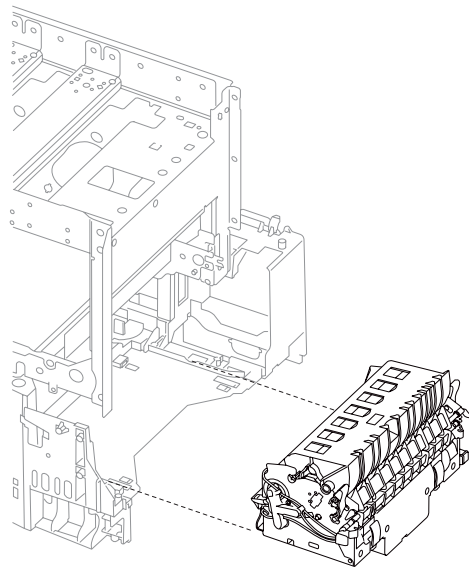
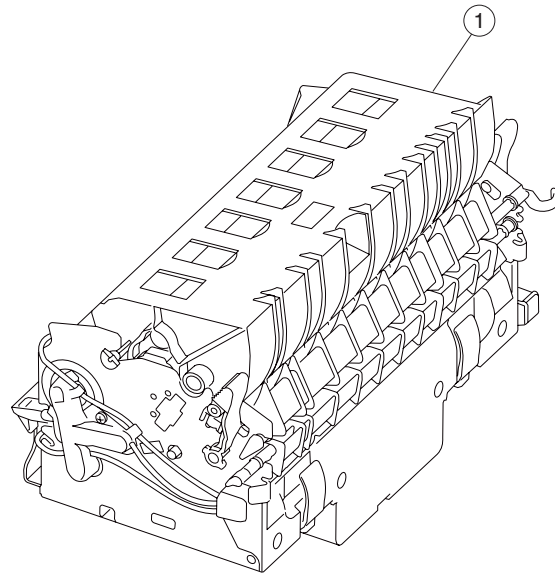
Asm-Index	Part number	Units/mach	Units/FRU	Description
1.1-1	40X1657	1	1	Left upper cover assembly
2		21	1	Screw type 323, parts packet, (40X1633)
3	40X1653	1	1	Left upper pivot cover
4	40X1787	1	1	Jam access door spring
5	40X1658	1	1	Lower jam access door assembly
6	40X1655	1	1	Left lower pivot cover
7	40X1768	1	1	Reference edge nip release strap
8	40X1654	1	1	Left lower cover
9	40X1656	1	1	Waste container door
10	40X1647	1	1	Ground cable
11	40X1644	1	1	Rear cover
12	40X1643	2	2	Fuser latch slide
13	40X1645	2	2	Fuser latch slide spring
14	40X1640	1	1	Fuser top duct
15	40X1646	1	1	Duplex actuator arm assembly
16	40X1662	1	1	RIP fan duct
17	40X1642	1	1	Fuser wall duct
18	40X1641	1	1	Fuser bottom duct
19	40X1650	1	1	Fuser left duct
20	40X1652	1	1	Redrive belt cover duct
NS	40X1648	6	6	Cable tie (6 in pack) Note: Use to secure cables to the inner system board shield)
NS	40X1649	2	2	Cable tie mount
NS	40X1671	6	6	Cable tie (6 in pack)

Assembly 2: Cartridge mounting



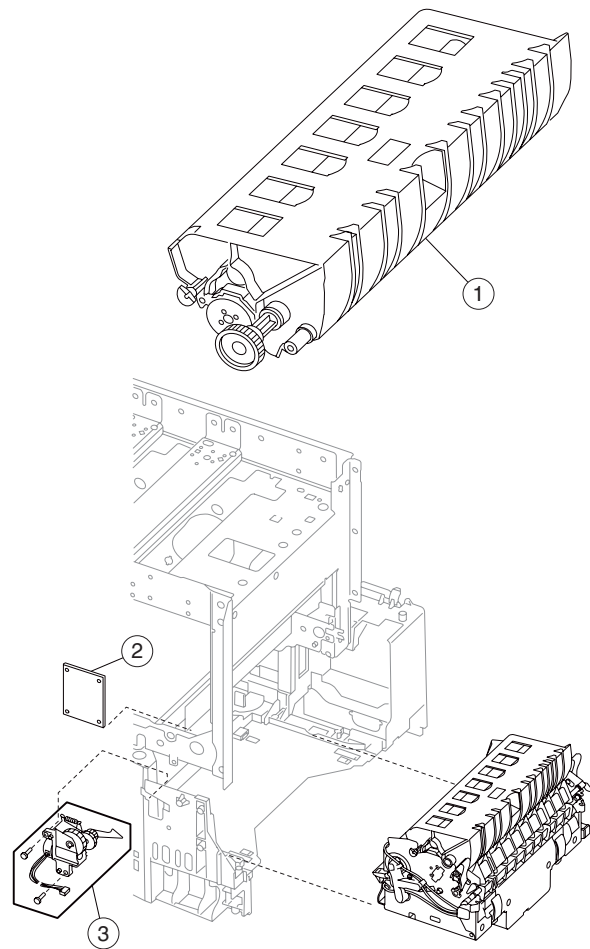
Asm-Index	Part number	Units/mach	Units/FRU	Description
2-1	40X1663	4	1	Guide assembly, left side
2	40X1664	4	1	Guide assembly, right side
3		12	8	Screw type 102, parts packet (40X1639)

Assembly 3: Fuser assembly



Asm-Index	Part number	Units/mach	Units/FRU	Description
3-1	40X1666	1	1	Fuser assembly, 220 V 500W—1xx/3xx
1	40X1832	1	1	Fuser assembly, 220 V 500W—2xx/4xx
1	40X1651	1	1	Fuser assembly, 115 V 500W—1xx/3xx
1	40X1831	1	1	Fuser assembly, 115 V 500W—2xx/4xx
1	40X1667	1	1	Fuser assembly, 100 V 500W (Japan)—1xx/3xx
1	40X1833	1	1	Fuser assembly, 100 V 500W (Japan)—2xx/4xx

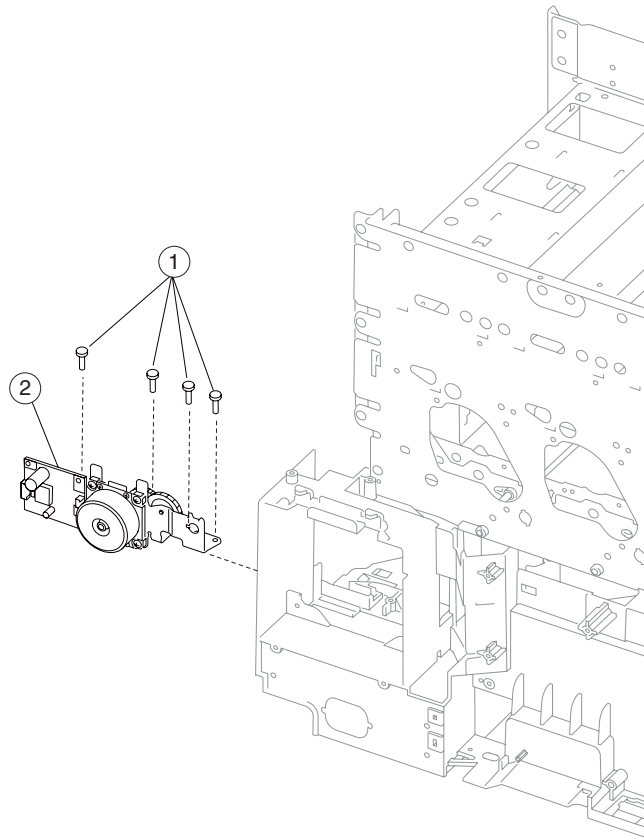
Assembly 3.1: Fuser (web oiler)



Assembly 3.1: Fuser (web oiler)

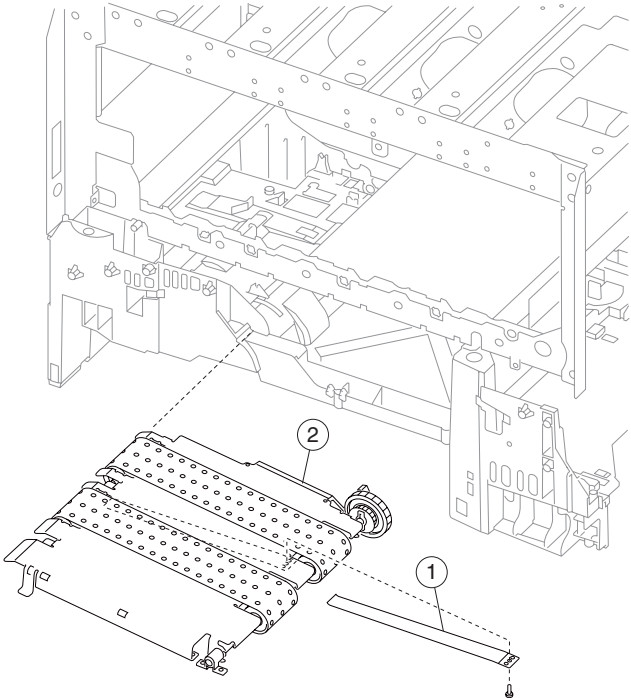
Asm-Index	Part number	Units/mach	Units/FRU	Description
3.1-1	40X1674	1	1	Web oiler assembly
2	40X1670	1	1	Web oiler driver board assembly
3	40X1669	1	1	Web oiler index drive assembly

Assembly 4: Fuser drive



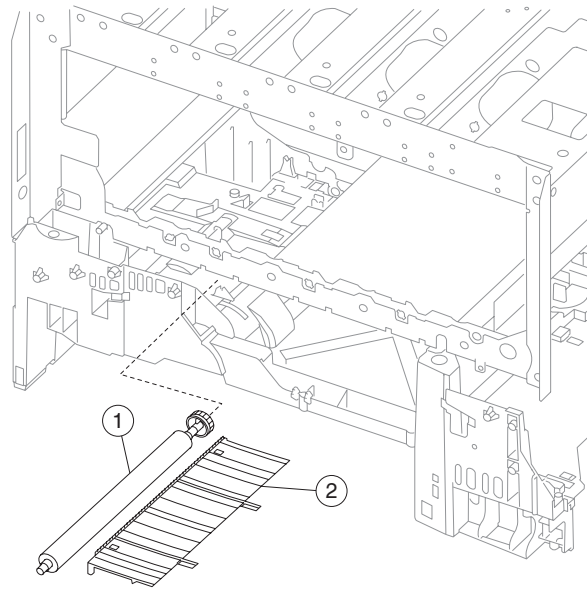
Asm-Index	Part number	Units/mach	Units/FRU	Description
4-1		4	1	Screws type 323, parts packet (40X1633)
2	40X1661	1	1	Fuser drive assembly

Assembly 5: Vacuum transport belt (VTB) assembly



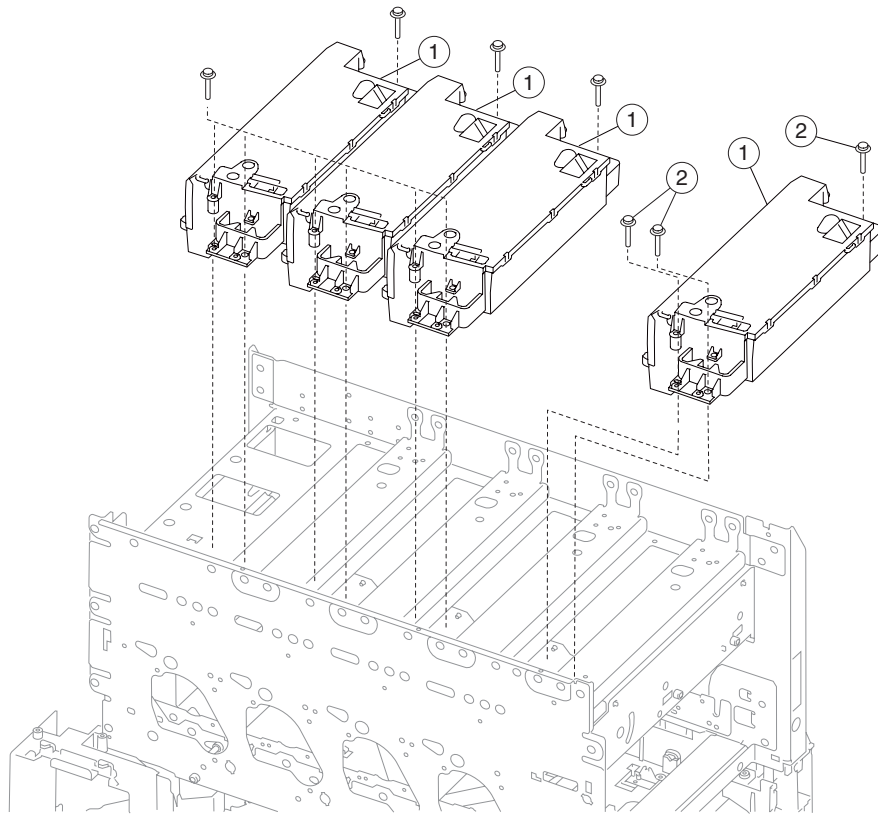
Asm-Index	Part number	Units/mach	Units/FRU	Description
5-1	40X1660	1	1	Jam access spring
2	40X1677	1	1	Vacuum transport belt assembly

Assembly 6: Transfer



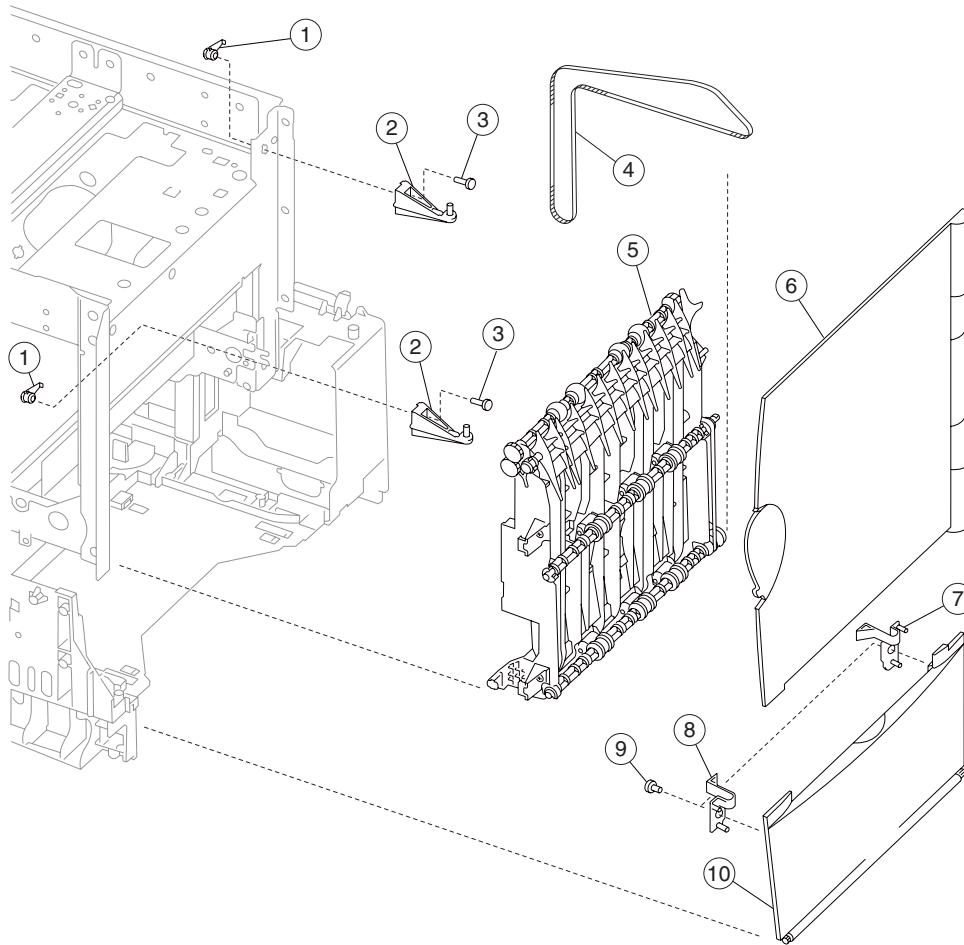
Asm-Index	Part number	Units/mach	Units/FRU	Description
6-1	40X1678	1	1	Second transfer roll
2	40X1679	1	1	Transfer plate assembly

Assembly 7: Printheads



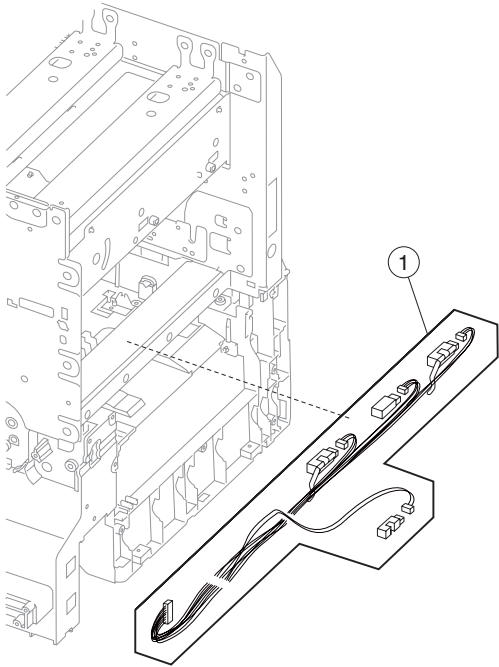
Asm-Index	Part number	Units/mach	Units/FRU	Description
7-1	40X1828	4	1	Printhead assembly (do not replace more than one printhead at a time) Also order cable tie parts packet (P/N 40X1648)
2		12	12	Screw type 484, parts packet (40X1632)

Assembly 8: Paper feed output (redrive)



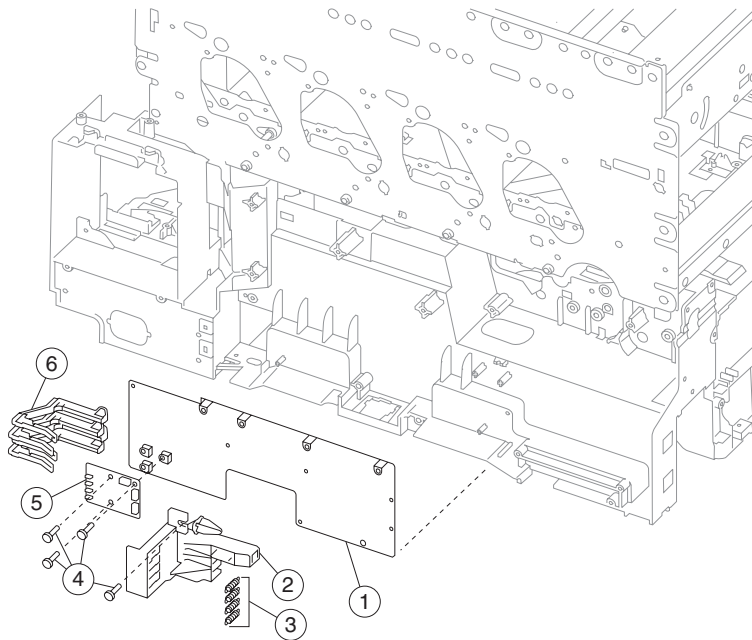
Asm-Index	Part number	Units/mach	Units/FRU	Description
8-1	40X1686	8	2	Bracket mounting anchor (2 per package)
2	40X1685	2	2	Upper door hinge
3		2	2	Screw type 312/322/412/423, parts packet, (40X1691)
4	40X1689	1	1	Redrive belt 300 T
5	40X1684	1	1	Redrive assembly
6	40X1690	1	1	Redrive door assembly
7	40X1687	1	1	Lower right door latch
8	40X1688	1	1	Lower left door latch
9		2	2	Screw type 324, parts packet (40X1635)
10	40X1634	1	1	Lower right door assembly

Assembly 9: Paper feed input



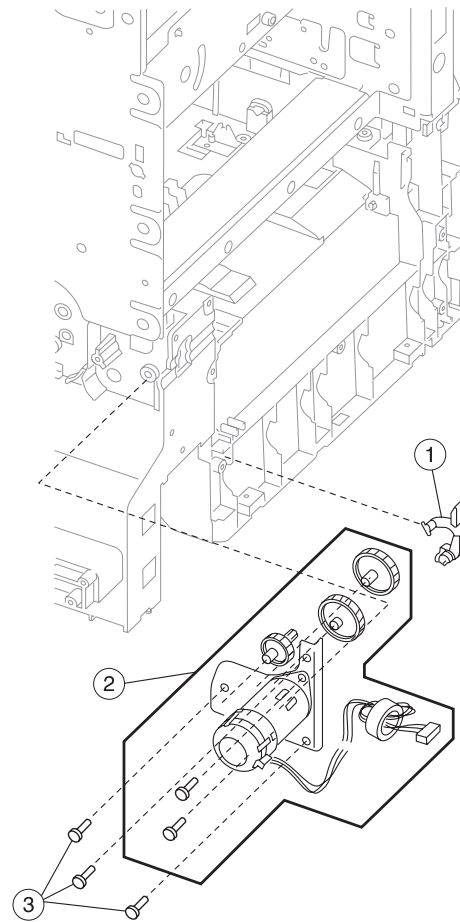
Asm-Index	Part number	Units/mach	Units/FRU	Description
9-1	40X1692	1	1	S2/XPAR/NMS/MPF cable assembly (with sensors)

Assembly 10: Media size sensing



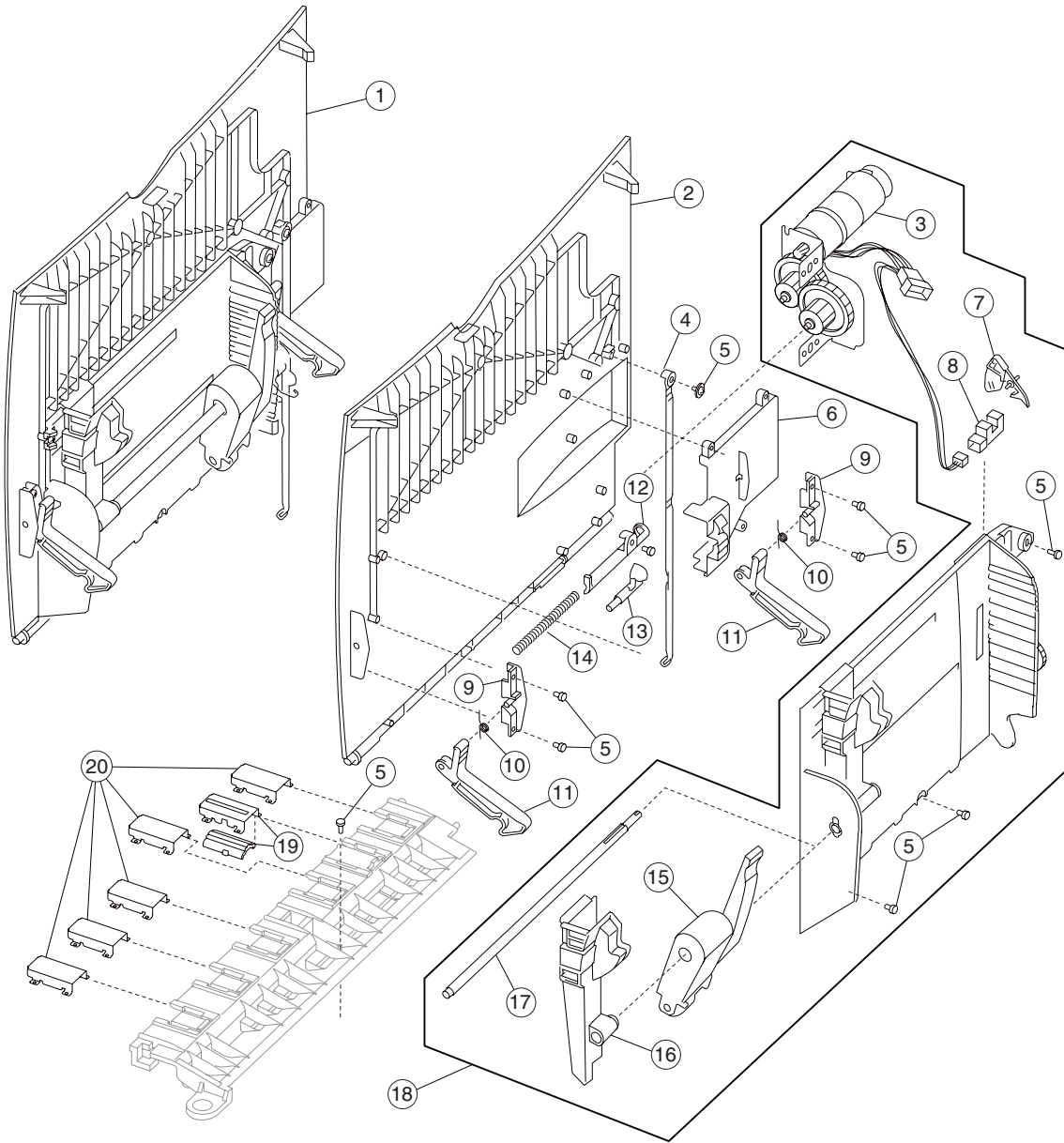
Asm-Index	Part number	Units/mach	Units/FRU	Description
10-1	40X1700	1	1	System board shield support with clips Also order cable tie parts packet (P/N 40X1648)
2	40X1698	1	1	Media size sensing bracket Also order cable tie parts packet (P/N 40X1648)
3	40X1697	4	4	Media size sensing spring Also order cable tie parts packet (P/N 40X1648)
4		4	4	Screw type 232, parts packet, 40X1676 (media size sensing assembly mounting)
5	40X1699	1	1	Media size sensing board assembly Also order cable tie parts packet (P/N 40X1648)
6	40X1696	4	4	Media size sensing link Also order cable tie parts packet (P/N 40X1648)

Assembly 11: Paper feed transport



Asm-Index	Part number	Units/mach	Units/FRU	Description
11-1	40X1701	1	1	Nip relief handle Also order cable tie parts packet (P/N 40X1648)
2	40X1702	1	1	Registration motor assembly kit, including: (also order cable tie parts packet, P/N 40X1648) - Staging motor assembly - Gear, reference plate - Gear, staging idler - Gear, staging reduction - Motor screws
3		3	3	Screw type 323, parts packet, 40X1633

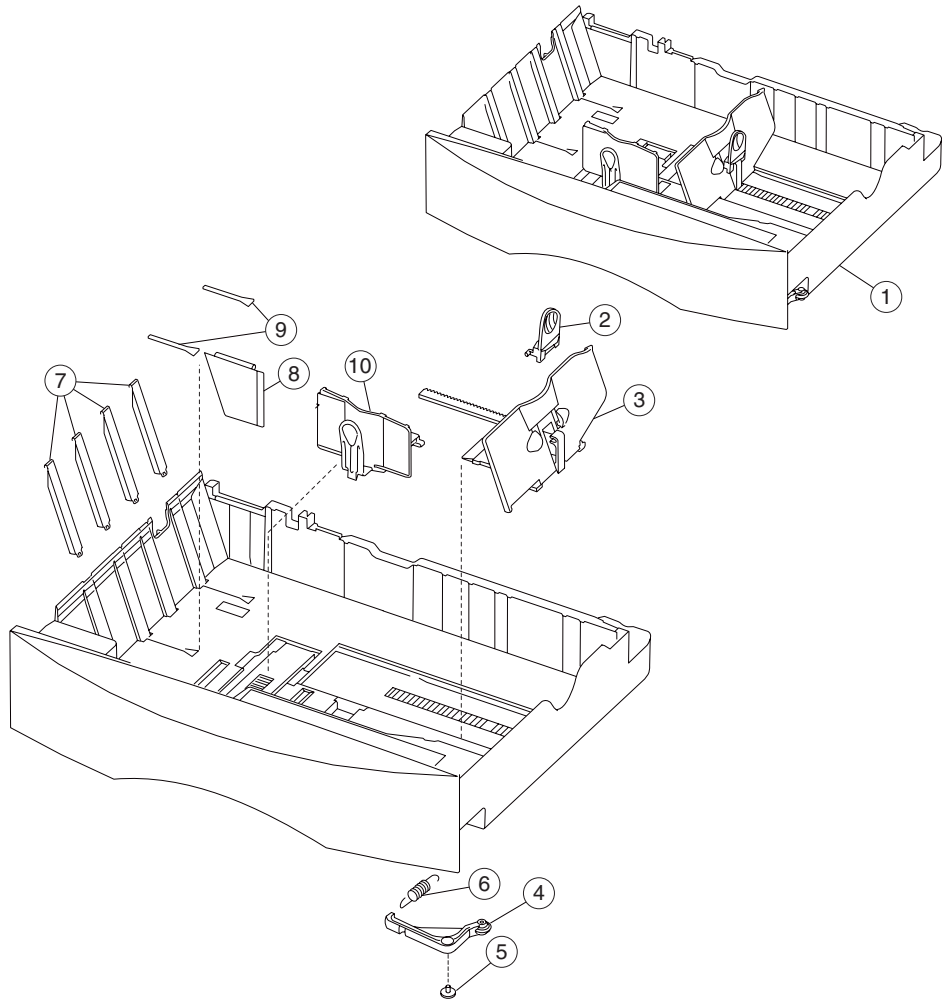
Assembly 12: Multipurpose feeder (MPF)



Assembly 12: Multipurpose feeder (MPF)

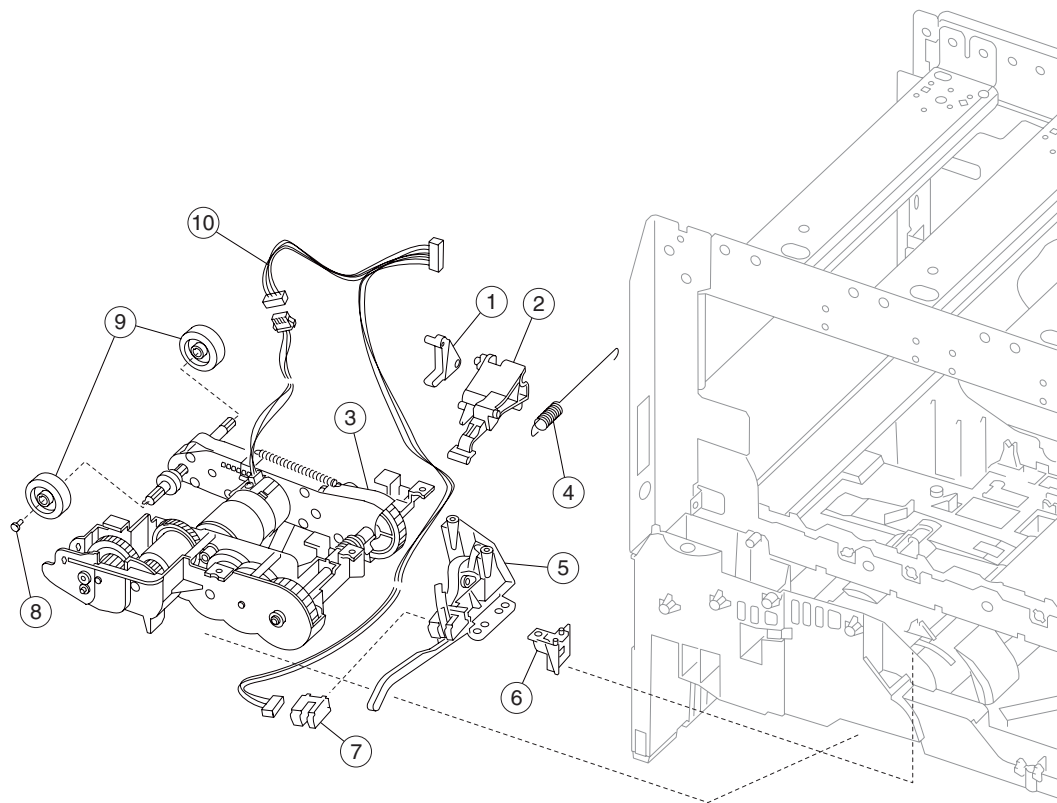
Asm-Index	Part number	Units/mach	Units/FRU	Description
12-1	40X1714	1	1	MPF door assembly—1xx/3xx
1	40X1841	1	1	MPF door assembly—2xx/4xx
2	40X1711	1	1	MPF door cover
3	40X1853	1	1	MPF drive assembly
4	40X1708	1	1	Door hinge restraint
5		12	12	Screw type 312/322/412/423, parts packet, 40X1691
6	40X1710	1	1	MPF gear cover
7	40X1673	1	1	MPF paper out flag
8	40X1852	1	1	Paper out sensor MPF
9	40X1715	2	2	MPF support bracket cover
10	40X1707	2	2	MPF support bracket spring
11	40X1717	2	1	MPF support bracket
12	40X1713	1	1	Frame bias latch cover
13	40X1712	1	1	Frame bias latch
14	40X1706	1	1	Frame bias spring
15	40X1716	1	1	MPF autocompensator pick assembly
16	40X1736	1	1	MPF side restraint
17	40X1682	1	1	MPF pick shaft
18	40X1709	1	1	MPF feed assembly—1xx/3xx
18	40X1840	1	1	MPF feed assembly—2xx/4xx
19	40X1808	1	1	Friction buckler and buckler housing
20	40X1704	5	5	Rib housing
NS	40X1854	1	1	MPF motor/sensor cable

Assembly 13: 500-Sheet integrated tray



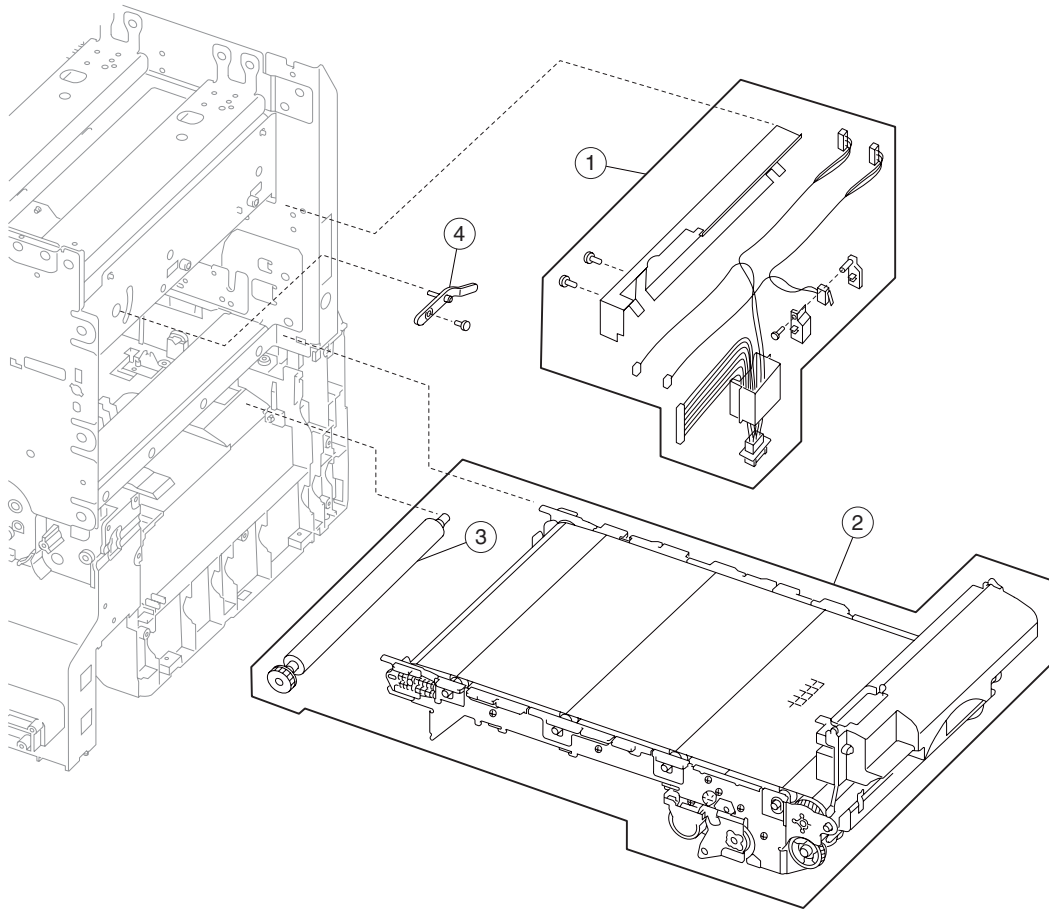
Asm-Index	Part number	Units/mach	Units/FRU	Description
13-1	40X1728	1	1	500-Sheet tray assembly
2	40X1720	1	1	Back restraint latch
3	40X1719	1	1	Back restraint
4	40X1723	1	1	Tray bias bellcrank assembly
5		1	1	Screw type 312/322/412/423, parts packet, 40X1691
6	40X1725	1	1	Tray bias spring
7	40X1722	4	4	Wear strip
8	40X1885	1	1	Tray wear clip
9	40X1727	2	2	Restraint pad
10	40X1718	1	1	Side restraint

Assembly 14: Autocompensator assembly



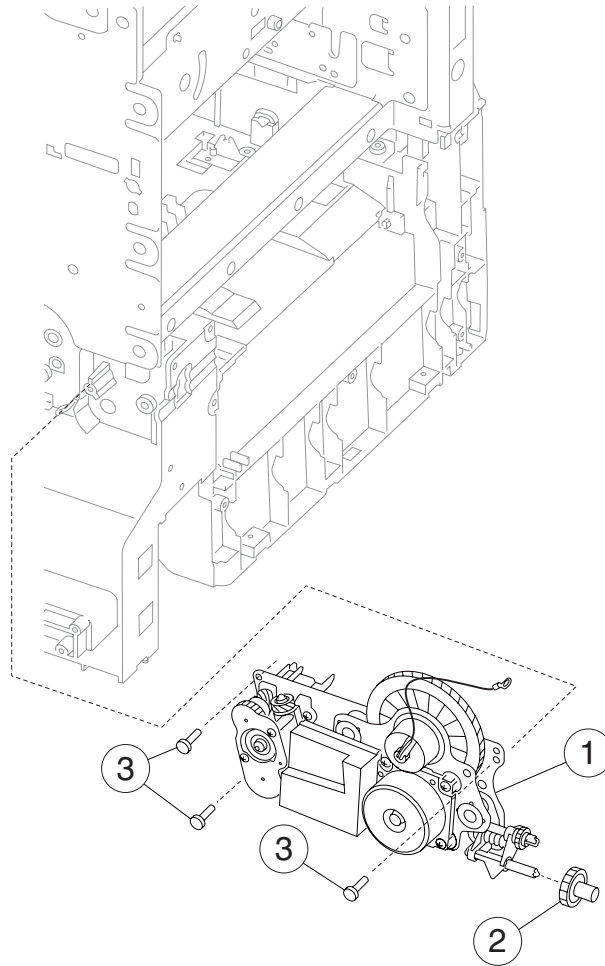
Asm-Index	Part number	Units/mach	Units/FRU	Description
14-1	40X1730	1	1	Tray interlock bellcrank
2	40X1741	1	1	Pick arm lift bellcrank
3	40X1724	1	1	Pick assembly 500-tray
4	40X1734	1	1	Bellcrank lift spring
5	40X1732	1	1	Paper level sensing assembly
6	40X1731	1	1	Tray interlock bracket
7	40X1729	1	1	Sensor, paper out/low
8		1	1	Screw type 312/322/412/423, parts packet, 40X1691 (pick roll mounting)
9	40X1765	2	2	Pick roll tires (2 per pack)
10	40X1733	1	1	Pick motor extension and paper level sensing cable

Assembly 15: ITU assembly



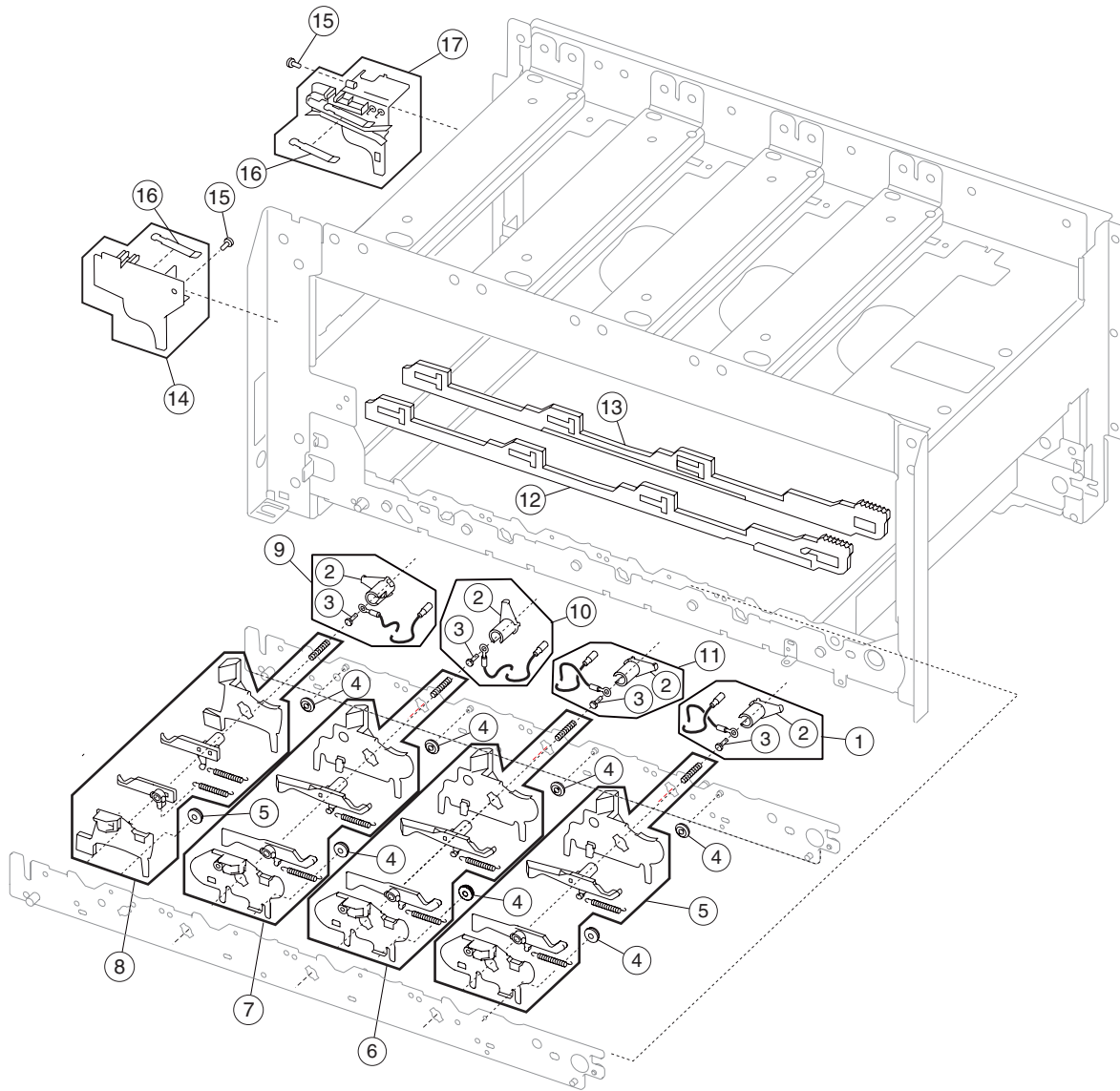
Asm-Index	Part number	Units/mach	Units/FRU	Description
15-1	40X1739	1	1	ITU light shield assembly
2	40X1788	1	1	ITU assembly—1xx/3xx only
2	40X1826	1	1	ITU assembly—2xx/4xx only
3	40X1678	1	1	Second transfer roll
4	40X1737	1	1	ITU coupler retract lever

Assembly 16: ITU drive assembly



Asm-Index	Part number	Units/mach	Units/FRU	Description
1	40X1823	1	1	ITU drive assembly Also order cable tie parts packet (P/N 40X1648).
2	40X1742	1	1	#58 gear Also order cable tie parts packet (P/N 40X1648)
3		3	3	Screw type 323, parts packet, 40X1633 (ITU drive assembly lower frame)

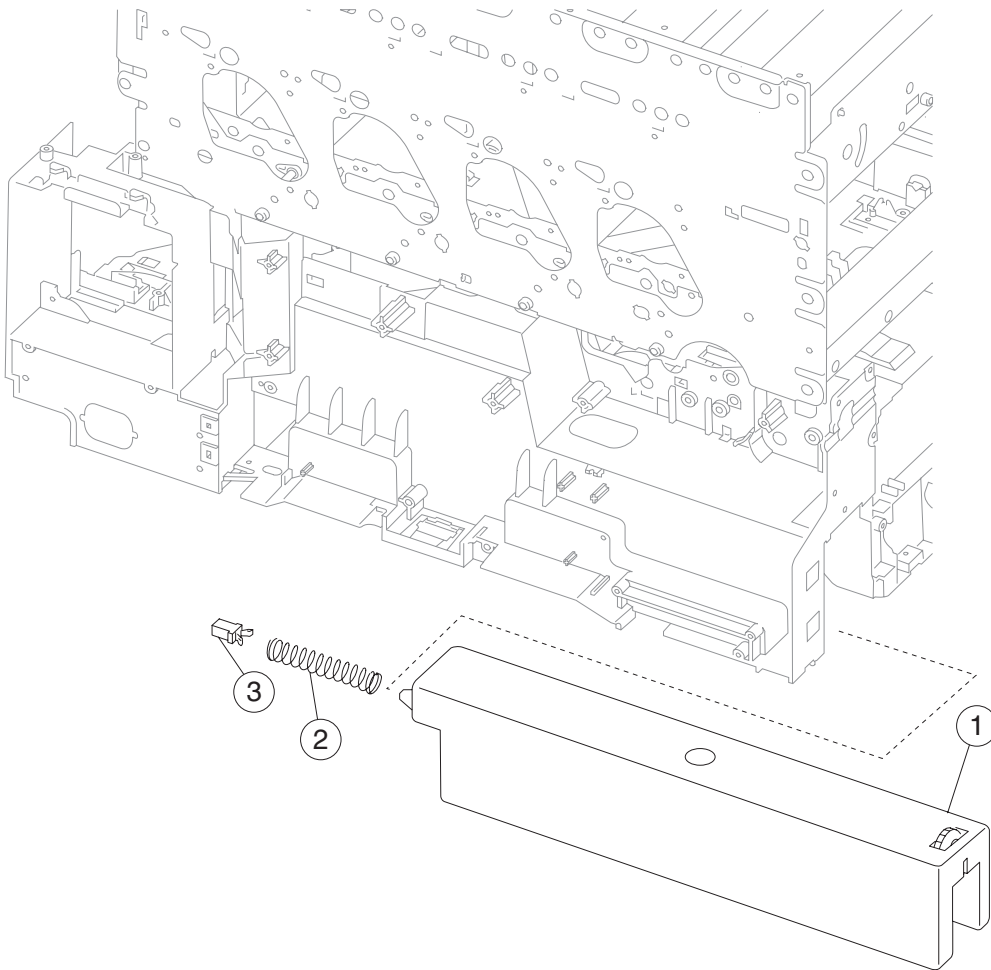
Assembly 17: ITU loading



Assembly 17: ITU loading

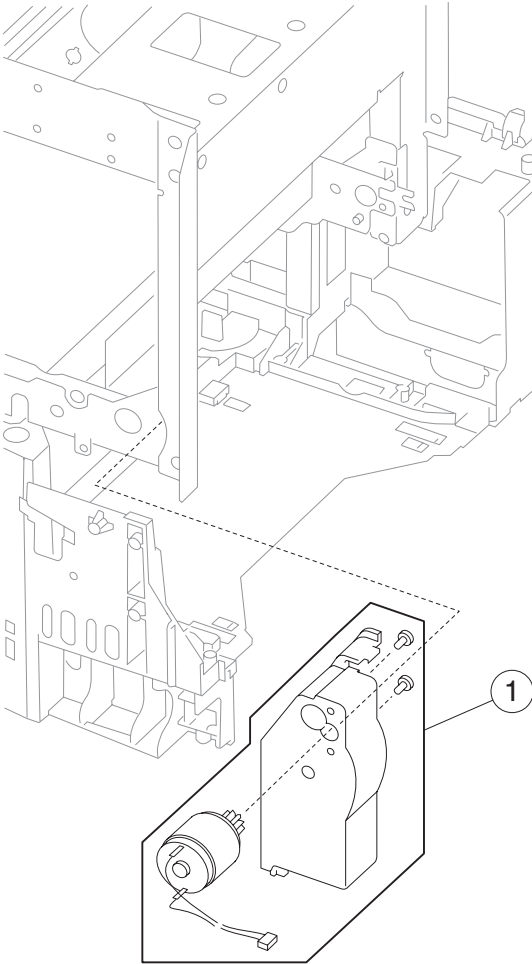
Asm-Index	Part number	Units/mach	Units/FRU	Description
17-1	40X1761	1	1	Yellow terminal contact assembly
2	40X1744	4	1	Contact spring terminal
3		4	1	Screw type 312/322/412/423, parts packet, 40X1691
4	40X1743	8	1	Cartridge support roller
5	40X1749	1	1	Parts packet, ITU loading—yellow, including - Yellow BOR spring - Rear block guide - Rear transfer bellcrank - Front V block guide - Front transfer bellcrank - High voltage contact spring
6	40X1750	1	1	Parts packet, ITU loading—cyan, including - Cyan BOR spring - Rear V block guide - Rear transfer bellcrank - Front V block guide - Front transfer bellcrank - High voltage contact spring
7	40X1751	1	1	Parts packet, ITU loading (1xx/3xx)—magenta, including - Magenta BOR spring - Rear V block guide - Rear transfer bellcrank - Front V block guide - Front transfer bellcrank - High voltage contact spring
7	40X1849	1	1	Parts packet, ITU loading (2xx/4xx)—magenta, including - Magenta BOR spring - Rear V block guide - Rear transfer bellcrank - Front V block guide - Front transfer bellcrank - High voltage contact spring
8	40X1752	1	1	Parts packet, ITU loading—black, including - Black BOR spring - Rear block guide - Rear transfer bellcrank - Front V block guide - Front transfer bellcrank - High voltage contact spring
9	40X1753	1	1	Black terminal contact assembly
10	40X1757	1	1	Magenta terminal contact assembly
11	40X1759	1	1	Cyan terminal contact assembly
12	40X1747	1	1	BOR front cam
13	40X1748	1	1	BOR rear cam
14	40X1770	1	1	Front ITU guide
15		2	2	Screw type 323, parts packet, 40X1633
16	40X1745	1	1	ITU bias spring
17	40X1746	1	1	Rear ITU guide

Assembly 18: Waste toner



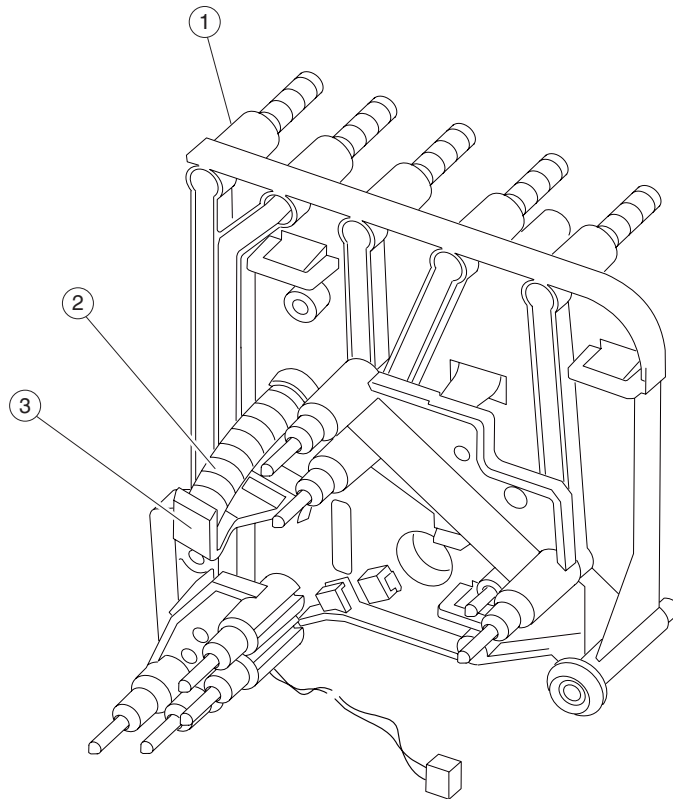
Asm-Index	Part number	Units/mach	Units/FRU	Description
18-1	40X1756	1	1	Waste toner container
2	40X1755	1	1	Waste container latch spring Also order cable tie parts packet (P/N 40X1648)
3	40X1754	1	1	Waste container latch Also order cable tie parts packet (P/N 40X1648)

Assembly 19: BOR drive assembly



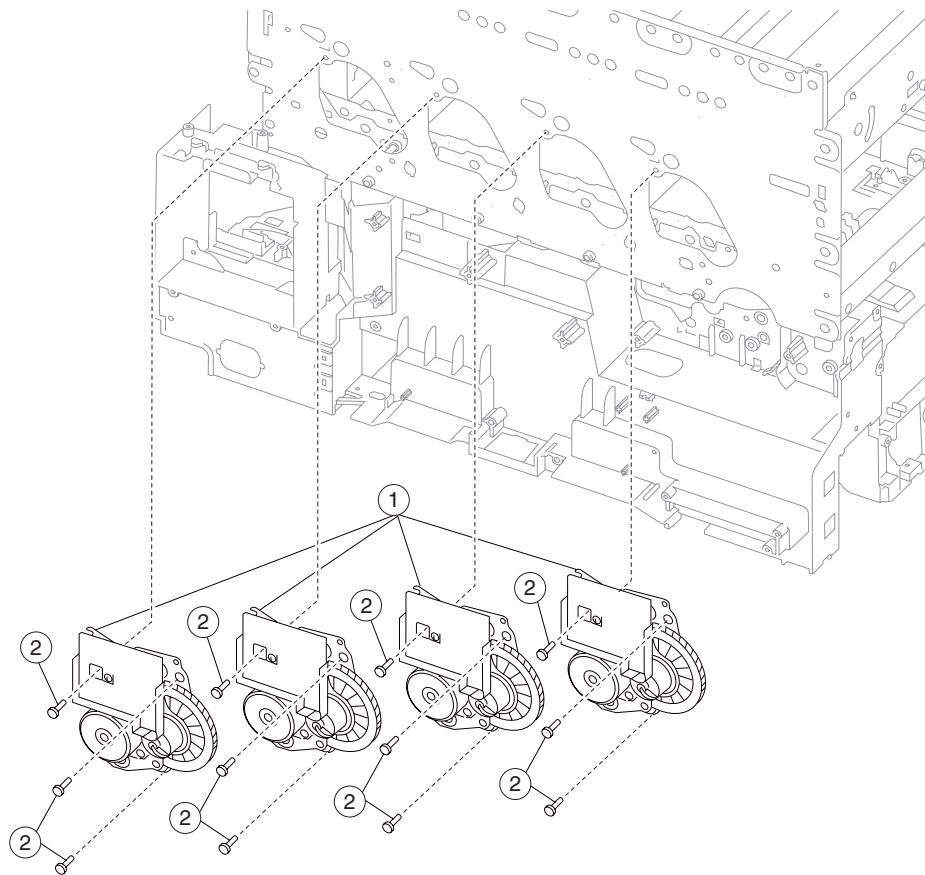
Asm-Index	Part number	Units/mach	Units/FRU	Description
19-1	40X1758	1	1	Lift/BOR assembly

Assembly 20: Cartridge contact assembly



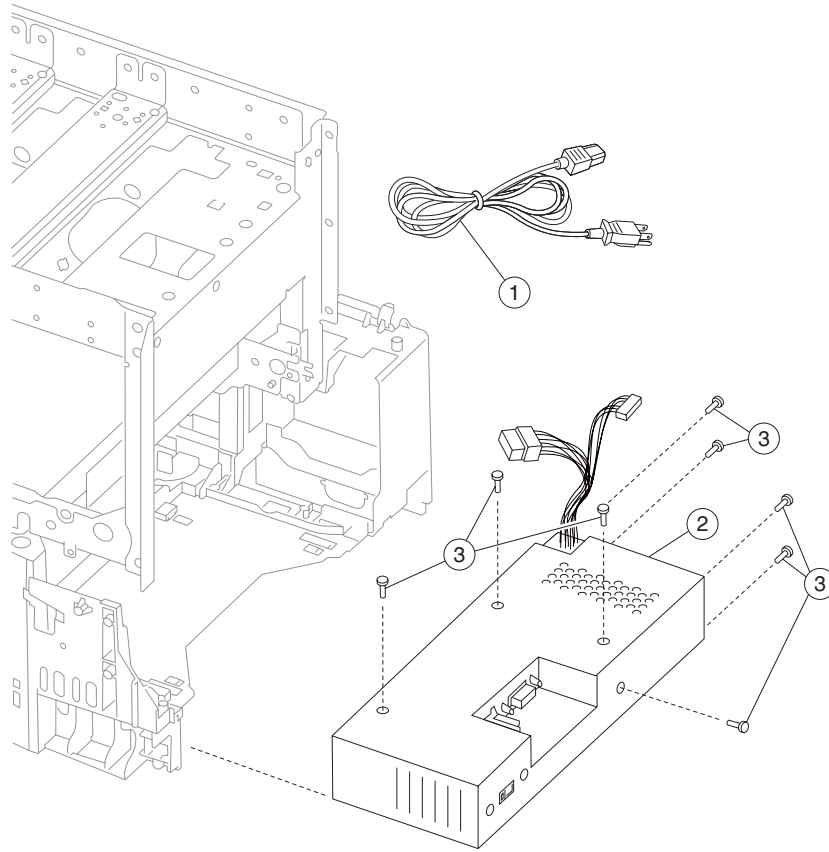
Asm-Index	Part number	Units/mach	Units/FRU	Description
20-1	40X1762	4	1	Cartridge contact assembly, complete Also order cable tie parts packet (P/N 40X1648)
2	40X1636	4	1	Rear hold down spring Also order cable tie parts packet (P/N 40X1648)
3	40X1760	4	1	Rear hold down bellcrank Also order cable tie parts packet (P/N 40X1648)

Assembly 21: Cartridge drive assembly



Asm-Index	Part number	Units/mach	Units/FRU	Description
1	40X1824	4	1	Cartridge drive assembly (one drive assembly per package) Also order cable tie parts packet (P/N 40X1648).
2		12	12	Screw type 324, parts packet, 40X1635

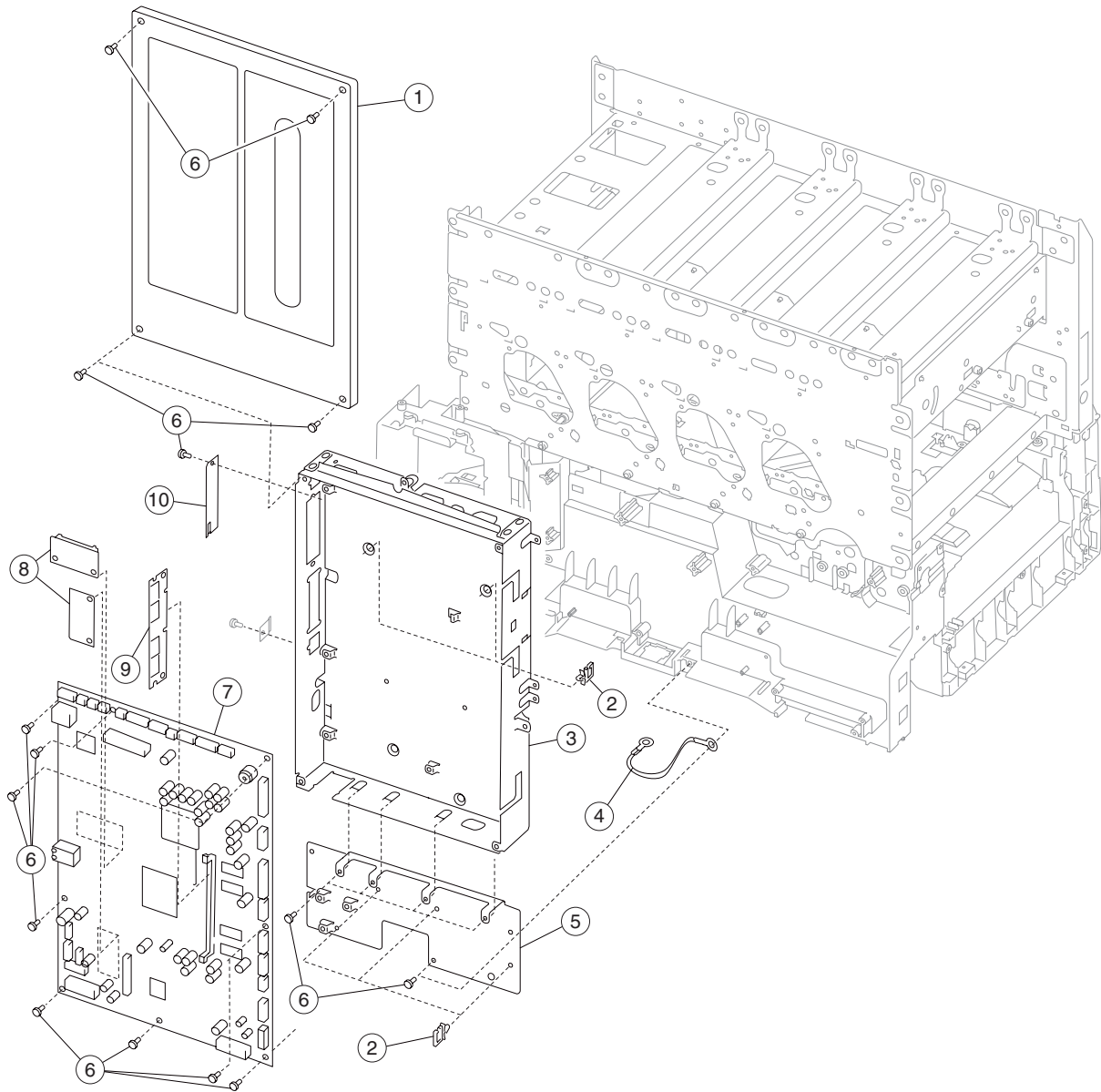
Assembly 22: Electronics



Assembly 22: Electronics

Asm-Index	Part number	Units/mach	Units/FRU	Description
22-1	40X0269	1	1	Power cord set, 8 ft (straight)—U.S., Asia Pacific (English), Canada, Colombia, Costa Rica, Dominican Republic, Ecuador, El Salvador, Guatemala, Honduras, Mexico, Nicaragua, Panama, Puerto Rico, Saudi Arabia, Taiwan, Venezuela, Virgin Islands
1	40X1767	1	1	Power cord set, 8 ft (straight)—African countries—Bluemark, Austria, Belgium, Bulgaria, Catalan, CIS, Croatia, Finland, France, Germany, Greece, Hungary, Italy, Macedonia, Netherlands, Norway, Paraguay, Poland, Portugal, Romania, Russia, Slovenia, Spain, Sweden, Turkey, Yugoslavia (Serbia and Montenegro)
1	40X0288	1	1	Power cord set, 8 ft (straight)—Argentina
1	40X0301	1	1	Power cord set, 8 ft (straight)—Australia
1	40X1766	1	1	Power cord set, 8 ft (straight)—Bolivia, Peru
1	40X1773	1	1	Power cord set, 8 ft (straight)—Botswana, Lesotho, Namibia, South Africa
1	40X0277	1	1	Power cord set, 8 ft (straight)—Brazil
1	40X0273	1	1	Power cord set, 8 ft (straight)—Chile, Uruguay
1	40X1774	1	1	Power cord set, 8 ft (straight)—Denmark
1	40X0271	1	1	Power cord set, 8 ft (straight)—Ireland, UK
1	40X0275	1	1	Power cord set, 8 ft (straight)—Israel
1	40X0270	1	1	Power cord set, 8 ft (straight)—Japan
1	40X0280	1	1	Power cord set, 6 ft (straight)—Korea
1	40X1792	1	1	Power cord set, 8 ft (straight)—Korea
1	40X0303	1	1	Power cord set, 8 ft (straight)—PRC
1	40X1772	1	1	Power cord set, 8 ft (straight)—Switzerland
1	40X0281	1	1	Power cord set, 6 ft (straight)—Taiwan
1	40X1791	1	1	Power cord set, 8 ft (straight)—Taiwan
2	40X1781	1	1	LVPS assembly
3		8	8	Screw type 121, parts packet, 40X1780

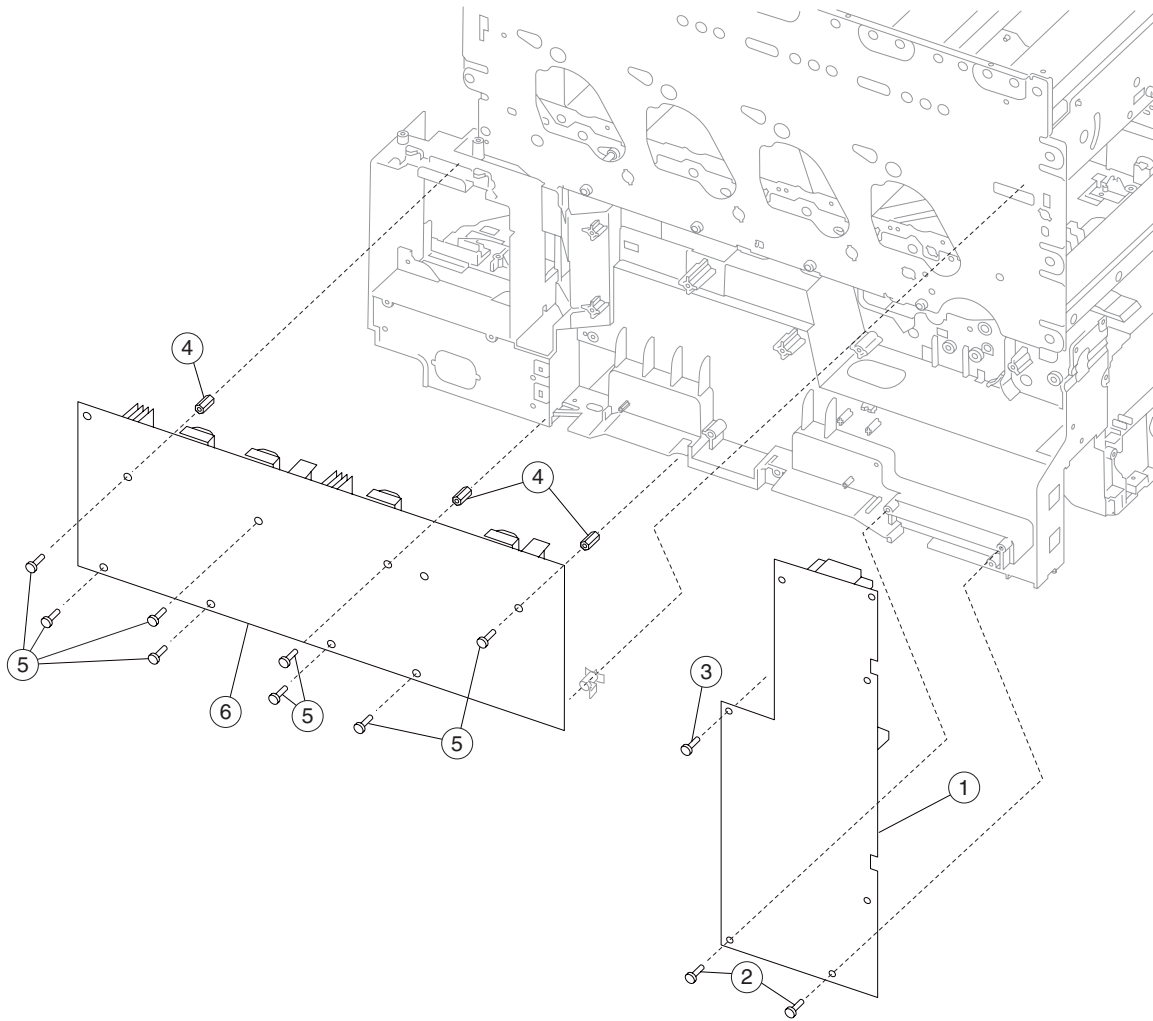
Assembly 22.1: Electronics



Assembly 22.1: Electronics

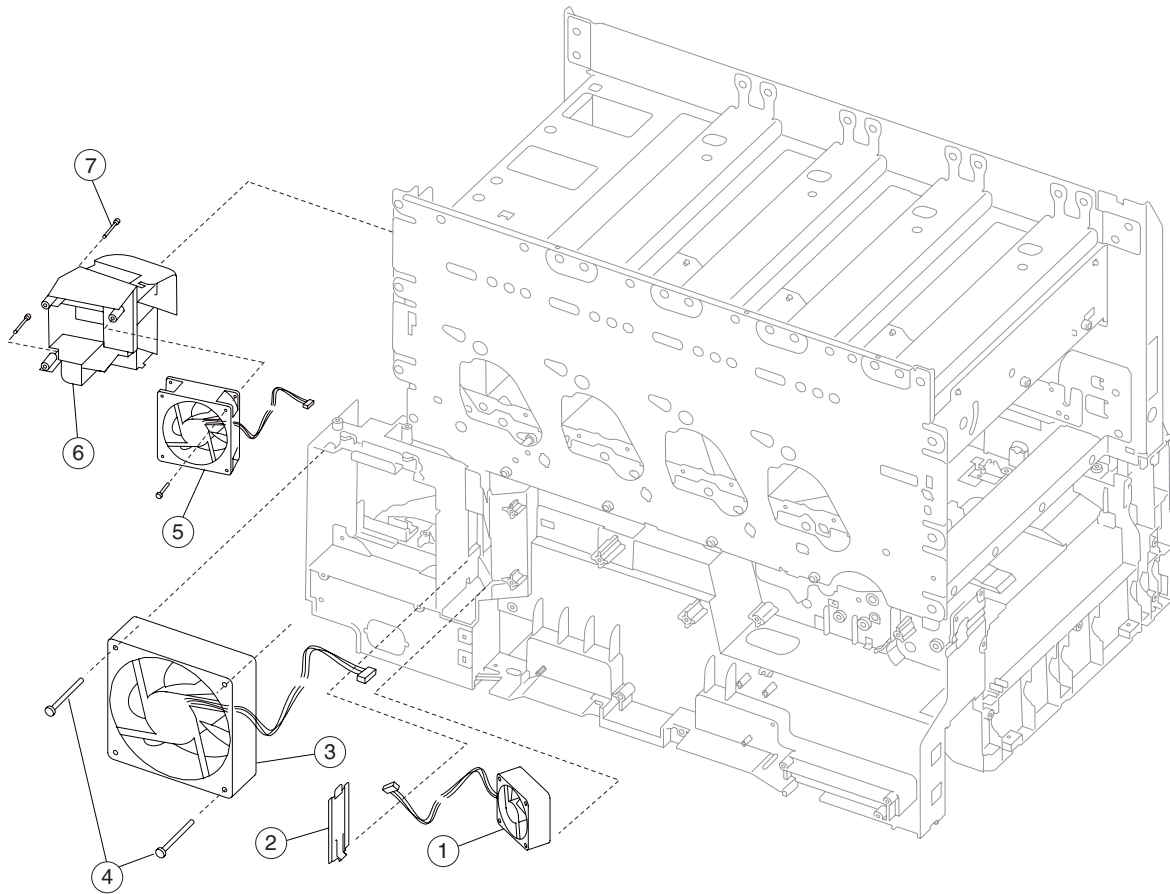
Asm-Index	Part number	Units/mach	Units/FRU	Description
22.1-1	40X1782	1	1	System board outer shield
2	40X1786	5	1	Cable clip
3	40X1783	1	1	System board inner shield assembly Also order cable tie parts packet (P/N 40X1648)
4	40X1785	1	1	Ground cable
5	40X1700	1	1	System board shield support with clips
6		20	20	Screw type 232, parts packet, 40X1676
7	40X1775	1	1	System board, network—1xx/3xx only Also order cable tie parts packet (P/N 40X1648)
7	40X1817	1	1	System board, network—2xx/4xx only Also order cable tie parts packet (P/N 40X1648)
8	40X3521	1	1	Bar code card assembly—1xx/3xx only
8	40X4741	1	1	Bar code card assembly—2xx/4xx only
9	40X1508	1	1	128MB SDRAM card assembly
9	40X1509	1	1	256MB SDRAM card assembly
9	40X1510	1	1	512MB SDRAM card assembly
10	40X1784	1	1	INA blank flat shield, use when options are not installed

Assembly 22.2: Electronics



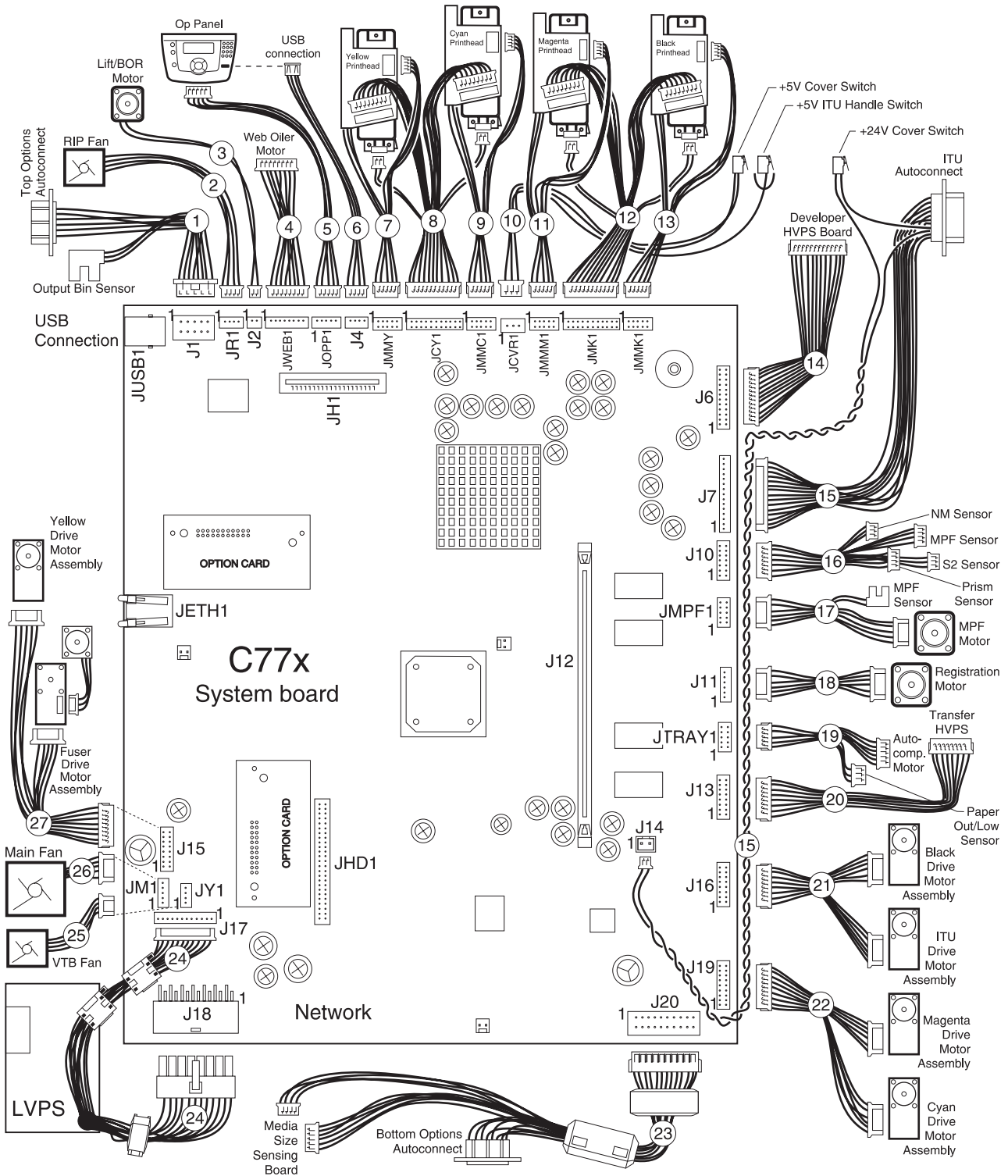
Asm-Index	Part number	Units/mach	Units/FRU	Description
22.2-1	40X1793	1	1	Transfer HVPS board
2		2	2	Screw type 323, parts packet, 40X1633 (TFR HVPS board to frame)
3		1	1	Screw type 324, parts packet, 40X1635 (TFR HVPS board to frame)
4	40X1794	3	3	Standoff, high voltage power supply—developer board
5		8	8	Screw type 121, parts packet, 40X1780
6	40X1795	1	1	Developer HVPS board—1xx/3xx only Also order cable tie parts packet (P/N 40X1648)
6	40X1825	1	1	Developer HVPS board—2xx/4xx only Also order cable tie parts packet (P/N 40X1648)

Assembly 22.3: Electronics



Asm-Index	Part number	Units/mach	Units/FRU	Description
22.3-1	40X1800	1	1	VTB fan, 60 mm
2	40X1796	1	1	VTB fan gap cover
3	40X1798	1	1	Fuser fan assembly
4		2	2	Screws, parts packet, 40X1797 (fuser fan mounting)
5	40X1799	1	1	RIP fan, 92 mm
6	40X1662	1	1	RIP fan duct
7		2	2	Screw type 324, parts packet, 40X1635

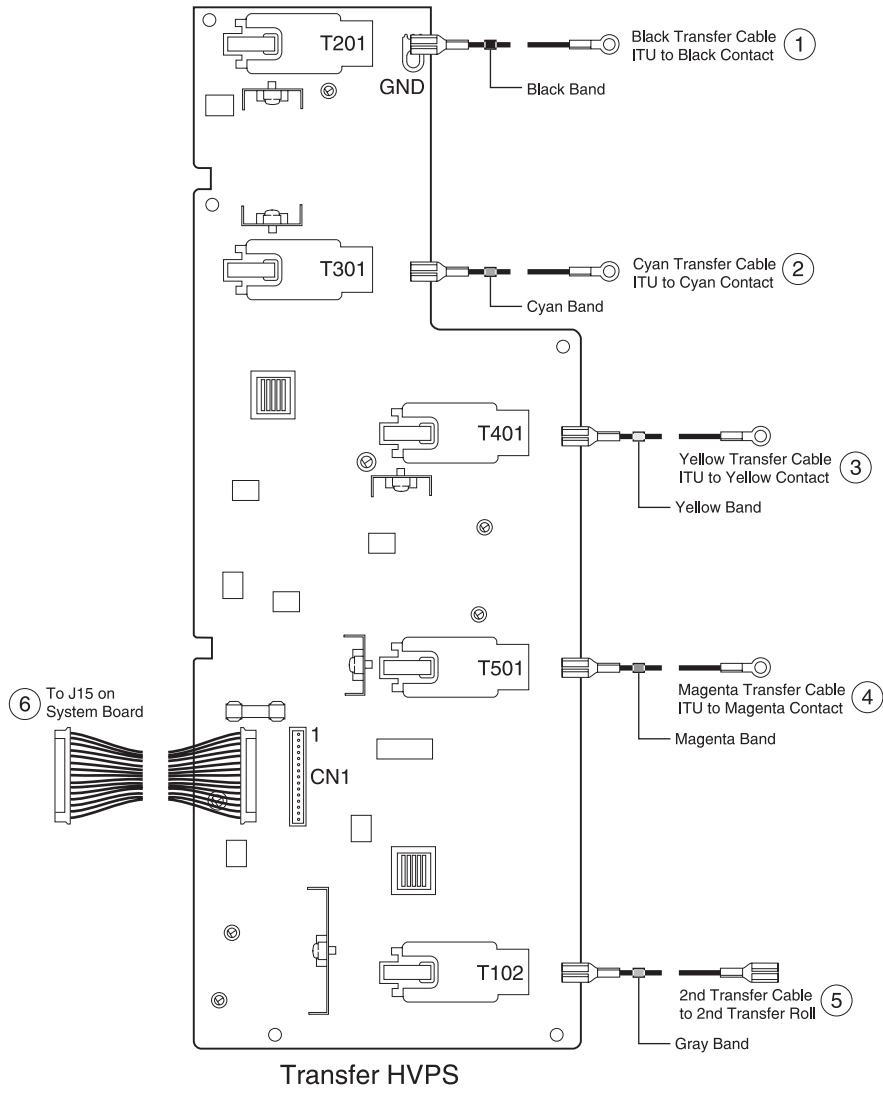
Assembly 23: Electronics—cabling interconnections 1



Assembly 23: Electronics—cabling interconnections 1

Asm-Index	Part number	Units/mach	Units/FRU	Description
23-1	40X1637	1	1	Top autoconnect and output bin sensor—1xx/3xx only
1	40X1777	1	1	Top autoconnect and output bin sensor—2xx/4xx
2	40X1799	1	1	RIP fan, 92 mm
3	40X1758	1	1	Lift/BOR assembly
4	40X1807	1	1	Oiler motor driver cable
5	40X1801	1	1	Operator panel cable
6	40X1769	1	1	Operator panel USB cable
7	40X1828	1	1	Printhead assembly—yellow mirror motor (attached to yellow printhead)
8	40X1806	1	1	Laser cable—cyan/yellow
9	40X1828	1	1	Printhead assembly—cyan mirror motor (attached to cyan printhead)
10	40X1740	1	1	Printhead interlock cable assembly
11	40X1828	1	1	Printhead assembly—magenta mirror motor (attached to magenta printhead)
12	40X1805	1	1	Laser cable—black/magenta
13	40X1828	1	1	Printhead assembly—black mirror motor (attached to black printhead)
14	40X1810	1	1	HVPS control cable—developer
15	40X1739	1	1	ITU light shield assembly
16	40X1692	1	1	S2/XPAR/NMS/MPF cable assembly (with sensors)
17	40X1854	1	1	MPF motor/sensor cable
18	40X1702	1	1	Registration motor assembly kit
19	40X1733	1	1	Pick motor extension and paper level sensing cable
20	40X1809	1	1	HVPS control cable—transfer
21	40X1804	1	1	ITU and black cartridge motor cable
22	40X1803	1	1	Cyan and magenta cartridge motor cable
23	40X1811	1	1	Options bottom/media size sensing cable assembly
24	40X1781	1	1	LVPS assembly
25	40X1800	1	1	VTB fan, 60 mm
26	40X1798	1	1	Fuser fan assembly
27	40X1802	1	1	Fuser and yellow cartridge motor cable

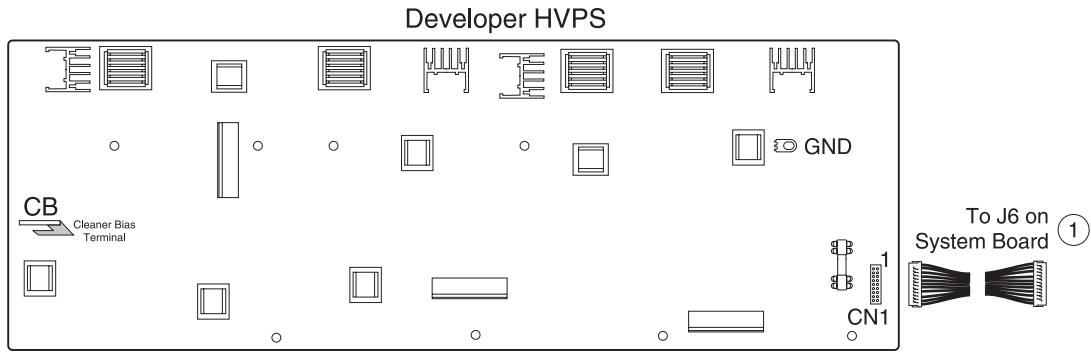
Assembly 24: Electronics—cabling interconnections 2



Assembly 24: Electronics—cabling interconnections 2

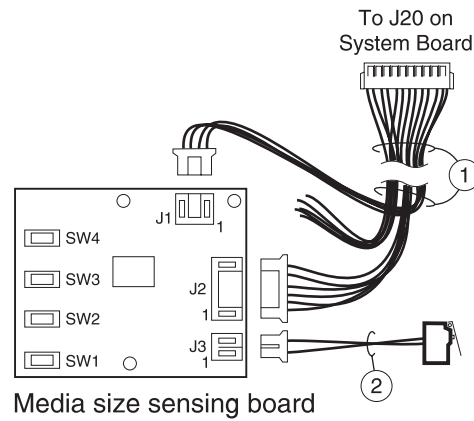
Asm-Index	Part number	Units/mach	Units/FRU	Description
24-1	40X1753	1	1	Black terminal contact assembly
2	40X1759	1	1	Cyan terminal contact assembly
3	40X1761	1	1	Yellow terminal contact assembly
4	40X1757	1	1	Magenta terminal contact assembly
5	40X1812	1	1	Second transfer voltage cable assembly
6	40X1809	1	1	HVPS control cable—transfer

Assembly 25: Electronics—cabling interconnections 3



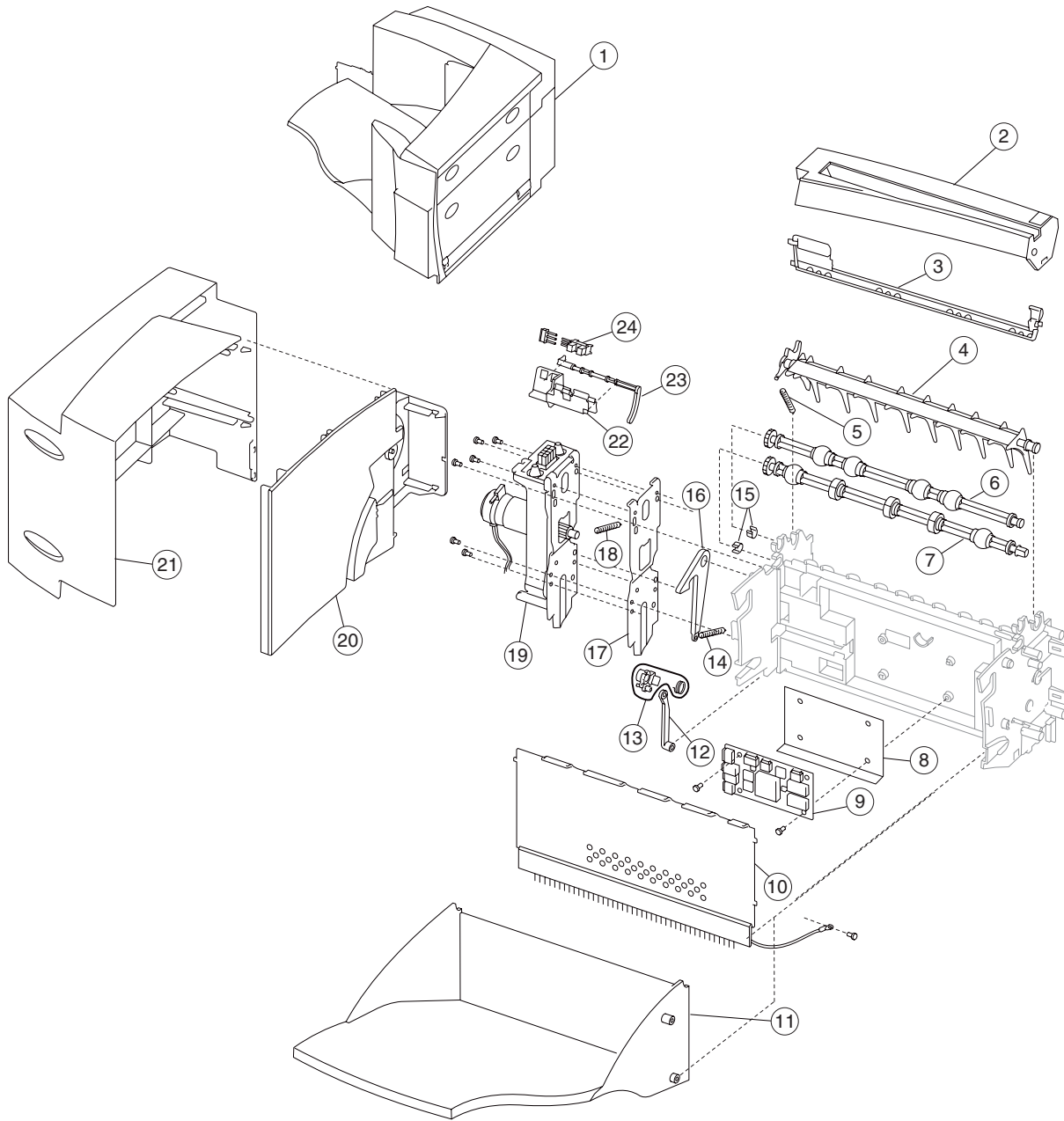
Asm-Index	Part number	Units/mach	Units/FRU	Description
25-1	40X1810	1	1	HVPS control cable—developer
2	40X1762	4	1	Cartridge contact assembly, complete

Assembly 26: Electronics—cabling interconnections 4



Asm-Index	Part number	Units/mach	Units/FRU	Description
26-1	40X1811	1	1	Options bottom/media size sensing cable assembly
2	40X1823	1	1	ITU drive assembly

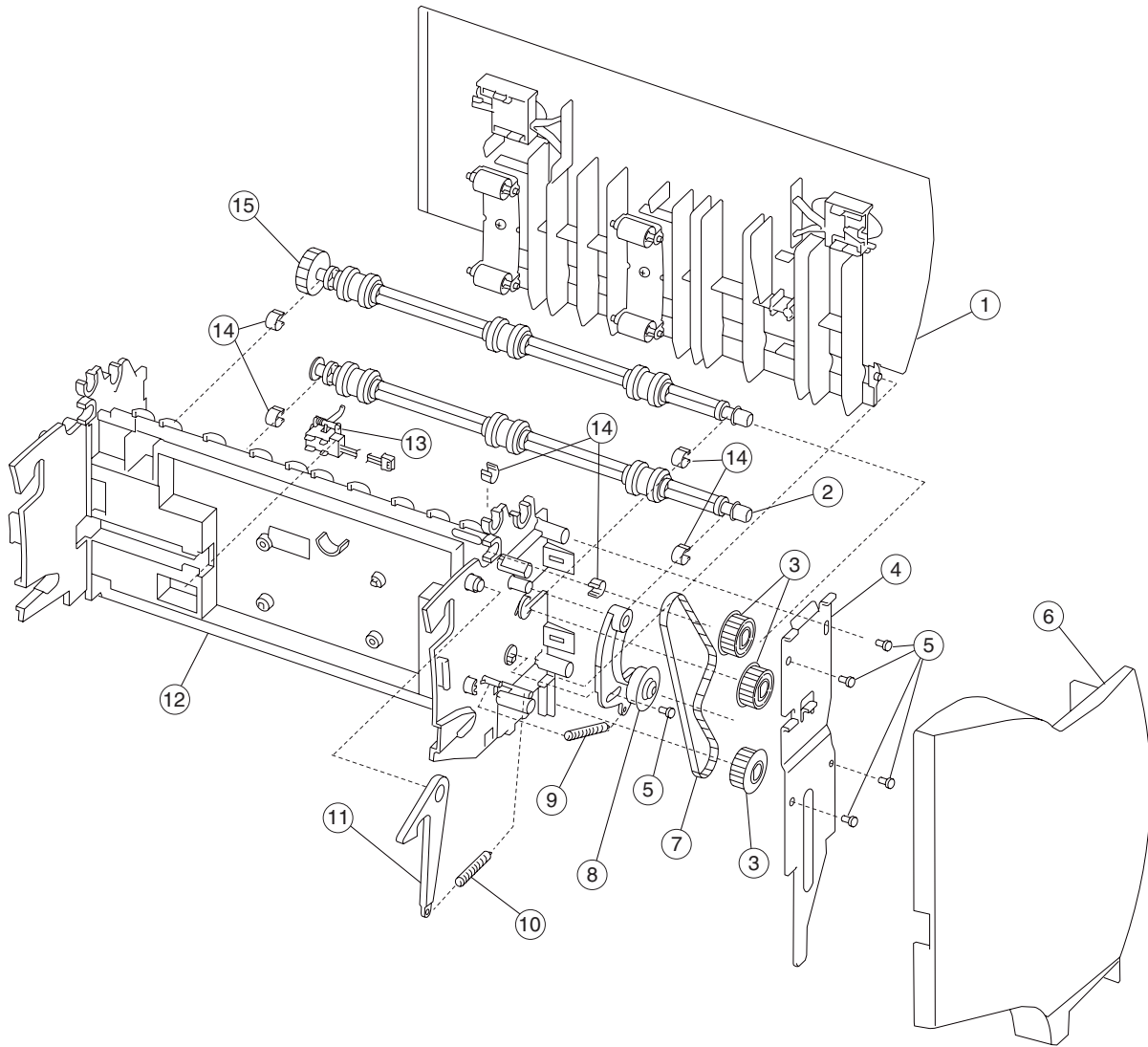
Assembly 27: Output expander



Assembly 27: Output expander

Asm-Index	Part number	Units/ option	Units/ FRU	Description
27-1	40X1980	1	1	Output expander, complete
2	40X1996	1	1	Right cover
3	40X1997	1	1	ESD brush cover
4	40X1988	1	1	Deflector gate (also order 40X2000) Also called upper redrive deflector.
5	40X2000	1	1	Upper diverter spring
6	40X2007	1	1	Exit shaft assembly, also order parts packet 40X2011
7	40X1999	1	1	Lower exit shaft assembly, also order parts packet 40X2011
8	40X1982	1	1	Output option card shield
9	40X2013	1	1	Output expander DC motor board
10	40X1984	1	1	Front control board cover
11	40X1992	1	1	Output expander tray
12	40X2014	1	1	Diverter arm
13	40X1978	1	1	Spring clutch assembly
14	40X2010	1	1	Output tray spring
15		2	1	Shaft bearing, parts packet, 40X2011
16	40X1991	1	1	Output tray latch
17	40X1981	2	1	Front attach bracket
18	40X2009	2	1	Swing arm spring
19	40X1995	1	1	Output expander assembly, mechanical linkage
20	40X1987	1	1	Rear support cover
21	40X1986	1	1	Rear cover
22	40X1989	1	1	Level sensor bracket
23	40X1990	1	1	Output paper level flag
24	40X3265	1	1	Dual bin full sensor

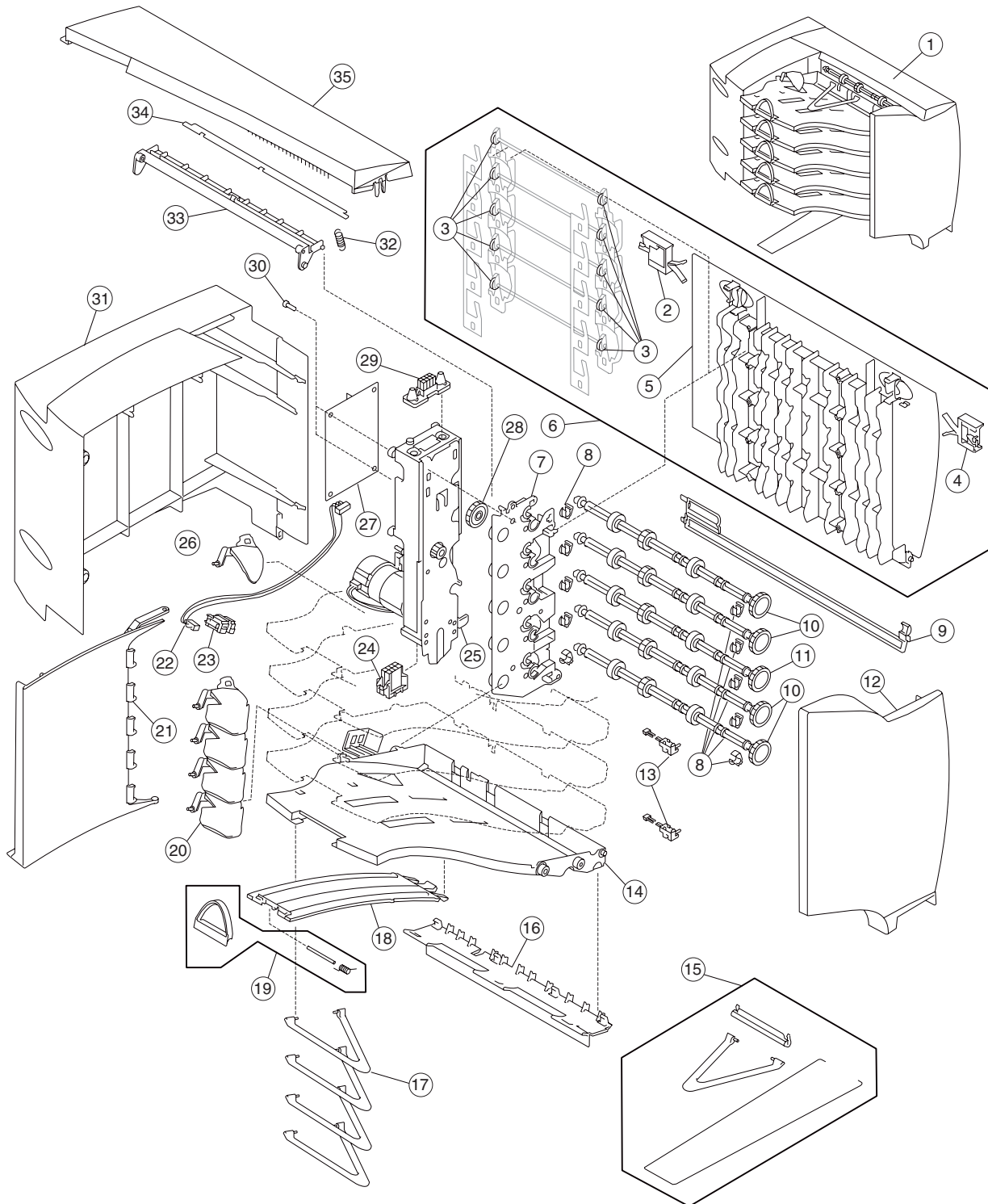
Assembly 27.1: Output expander



Assembly 27.1: Output expander

Asm-Index	Part number	Units/option	Units/FRU	Description
27.1-1	40X1994	1	1	Right jam access door assembly
2	40X2006	1	1	Lower shaft assembly, also order parts packet 40X2011
3	40X2004	3	1	Drive pulley
4	40X1983	2	1	Rear attach bracket
5		4	4	Screw, parts packet, 40X1813
6	40X1985	1	1	Front cover
7	40X2002	1	1	160-gear belt
8	40X2003	1	1	Belt idler arm assembly
9	40X2005	1	1	Belt tensioner spring
10	40X2010	1	1	Output tray spring
11	40X1991	1	1	Output tray latch
12	40X2015	1	1	Frame assembly
13	40X3264	1	1	Output expander pass thru sensor
14		6	1	Shaft bearing, parts packet, 40X2011
15	40X2012	1	1	Shaft assembly, middle 40T, also order parts packet 40X2011
NS	40X1998	1	1	Multi-bin stacker kit

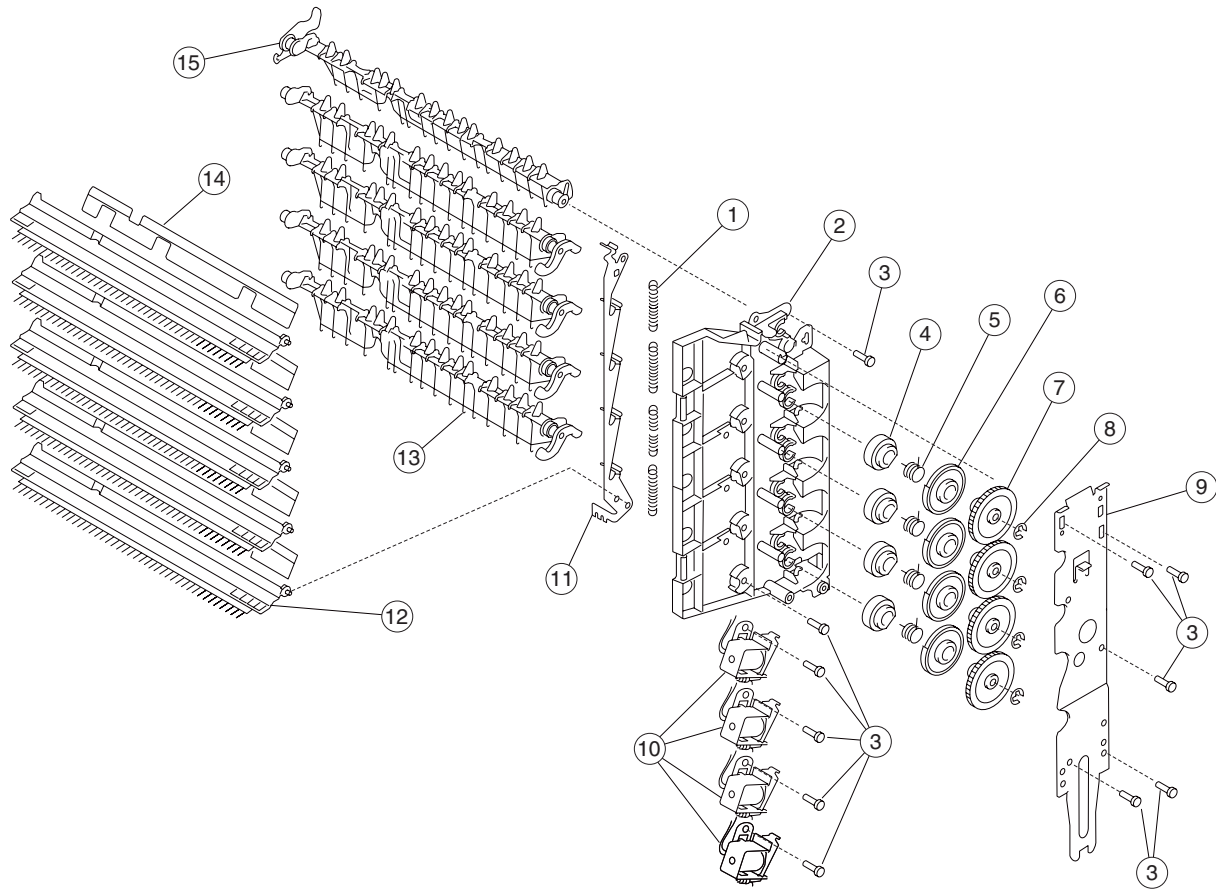
Assembly 28: 5-Bin mailbox



Assembly 28: 5-Bin mailbox

Asm-Index	Part number	Units/ option	Units/ FRU	Description
28-1	40X2020	1	1	5-Bin mailbox, complete
2	40X2157	1	1	Access door rear latch
3	40X2049	10	1	Rear access door roller assembly
4	40X2024	1	1	Access door front latch
5	40X2032	1	1	Front door cover
6	40X4268	1	1	Front door assembly
7	40X2044	1	1	Left frame assembly w/clutch assembly
8	40X2056	1	1	Drive shaft bushing packet
9	40X2033	1	1	Right cover
10	40X2054	4	1	Drive shaft assembly
11	40X2055	1	1	Drive with gear shaft assembly
12	40X2029	1	1	Front cover
13	40X3242	5	1	5-bin mailbox pass thru sensor
14	40X2028	5	1	Paper cap tray
15	40X2043	1	1	5-bin mailbox assembly kit
16	40X2027	1	1	Bail attach bracket assembly
17		1	1	Bail, order P/N 40X2043, 5-bin mailbox assembly kit
18	40X2035	5	1	Paper tray support
19	40X2042	5	1	Paper tray stop assembly
20	40X2038	4	1	Bin full flag
21	40X2030	1	1	Rear structural cover
22	40X2023	5	1	Tray media level sensor cable
23	40X3240	5	1	Dual bin level sensor
24	40X2052	1	1	Lower autoconnect cable assembly
25	40X2050	1	1	Main DC drive assembly
26	40X2026	1	1	Bin full flag
27	40X2064	1	1	5-bin mailbox system board assembly
28	40X2067	1	1	Drive gear
29	40X2053	1	1	Upper autoconnect cable assembly
30		12	12	Screw, parts packet, 40X2046 (board mounting)
31	40X2031	1	1	Rear assembly cover
32	40X2000	1	1	Upper diverter spring
33	40X2025	1	1	Top bin cover
34	40X2040	1	1	Wire cover
35	40X1638	1	1	Redrive cap cover assembly

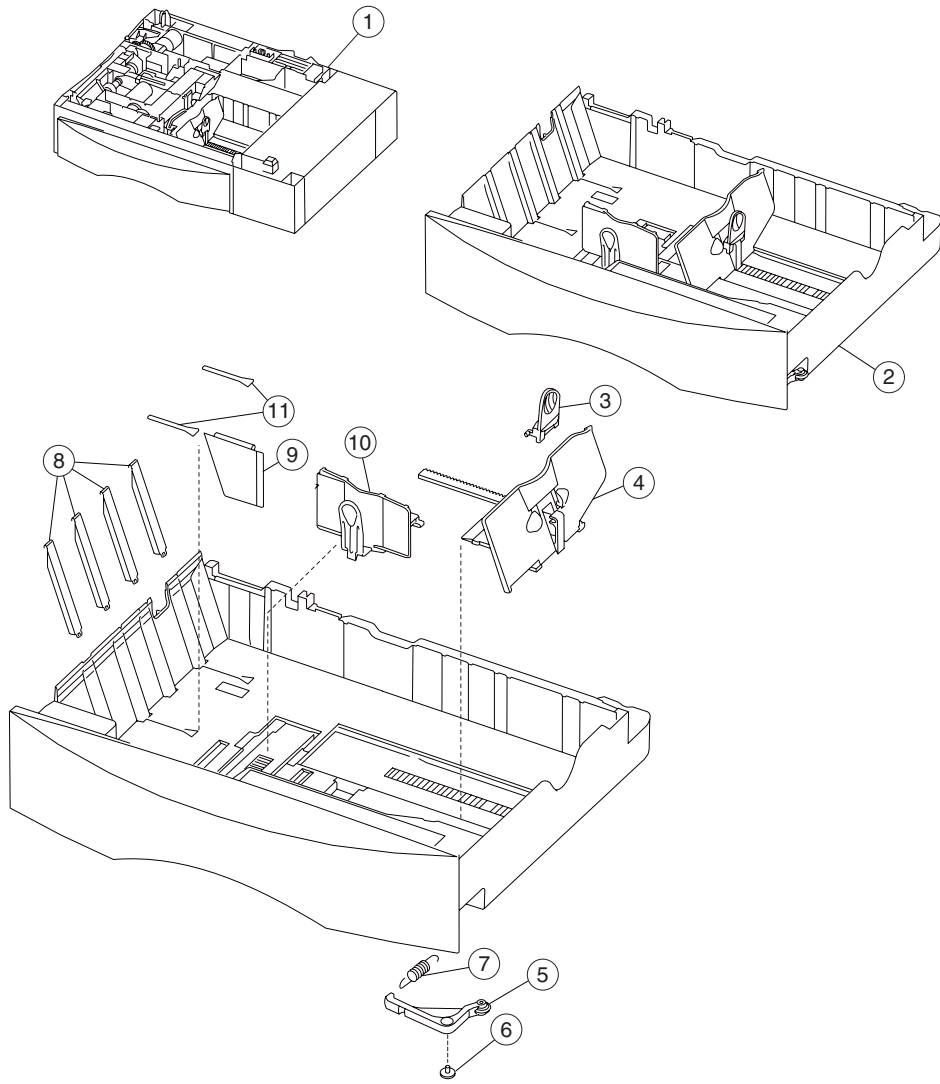
Assembly 28.1: 5-Bin mailbox



Assembly 28.1: 5-Bin mailbox

Asm-Index	Part number	Units/option	Units/FRU	Description
28.1-1	40X2065	4	1	Diverter spring
2	40X2039	1	1	Right side frame assembly
3		12	12	Screw type 323, parts packet, 40X1633
4	40X2057	4	1	Diverter actuator cam
5	40X2060	4	1	Diverter actuator spring
6	40X2058	4	1	Diverter actuator latch
7	40X2059	4	1	Diverter actuator arbor
8	40X2069	4	1	C-clip retainer
9	40X2021	1	1	Attach front bracket
10	40X2061	4	1	Diverter solenoid
11	40X2022	1	1	Static ground contact
12	40X2041	5	1	Paper exit deflector w/brush
13	40X2037	4	1	Paper deflector
14	40X2068	4	1	Deflector
15	40X2036	1	1	Paper top bin deflector
NS	40X1968	1	1	Drive gear
NS	40X2047	10	1	Roller retainer

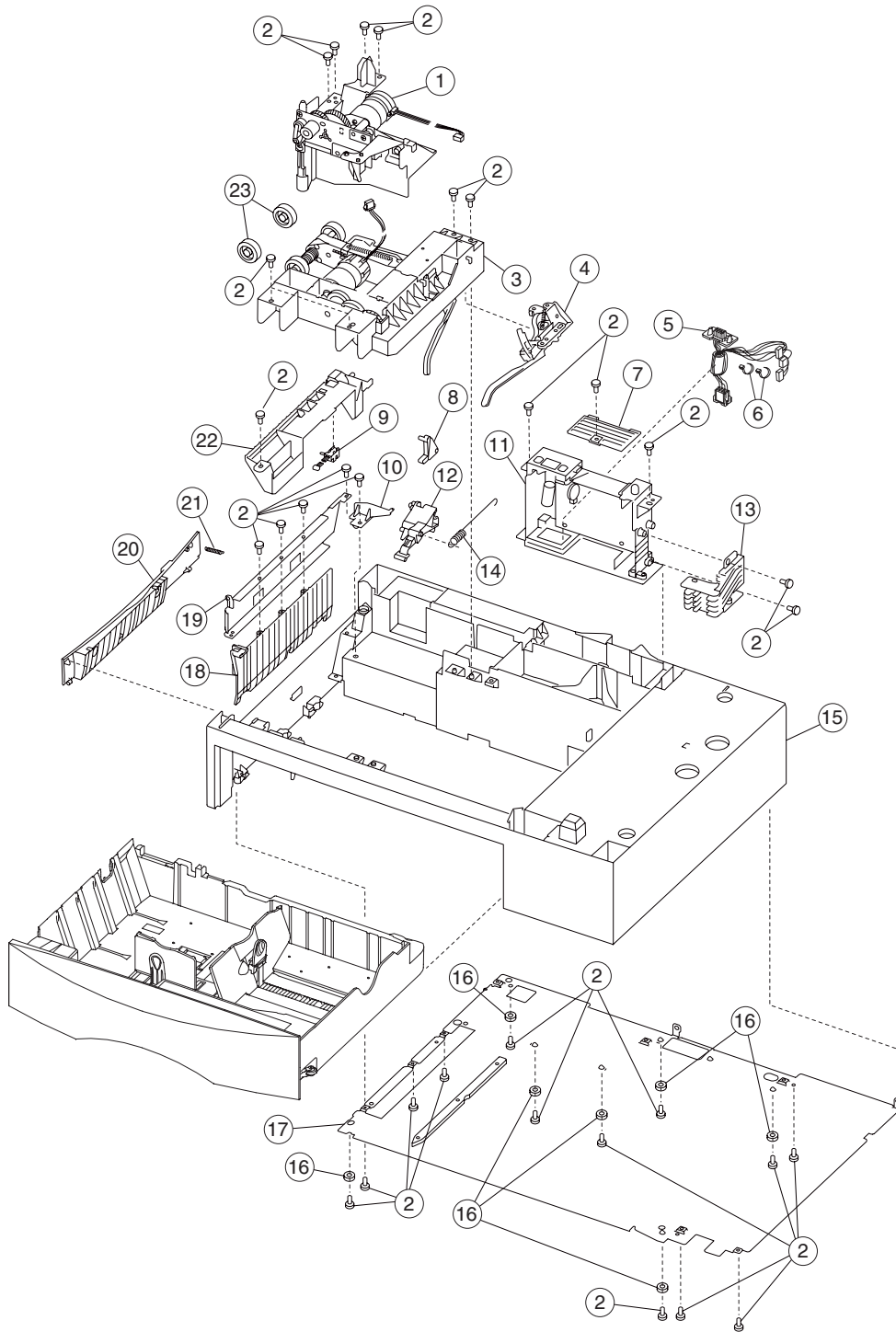
Assembly 29: 500-Sheet drawer option



Assembly 29: 500-Sheet drawer option

Asm-Index	Part number	Units/option	Units/FRU	Description
29-1	40X1880	1	1	500-Sheet drawer option, complete
2	40X1728	1	1	500-Sheet tray assembly
3	40X1720	1	1	Back restraint latch
4	40X1719	1	1	Back restraint
5	40X1723	1	1	Tray bias bellcrank assembly
6		1	1	Screw type 312/322/412/423, parts packet, 40X1691
7	40X1725	1	1	Tray bias spring
8	40X1722	4	1	Wear strip
9	40X1721	1	1	Tray wear clip
10	40X1885	1	1	Tray wear clip
11	40X1727	2	2	Restraint pad

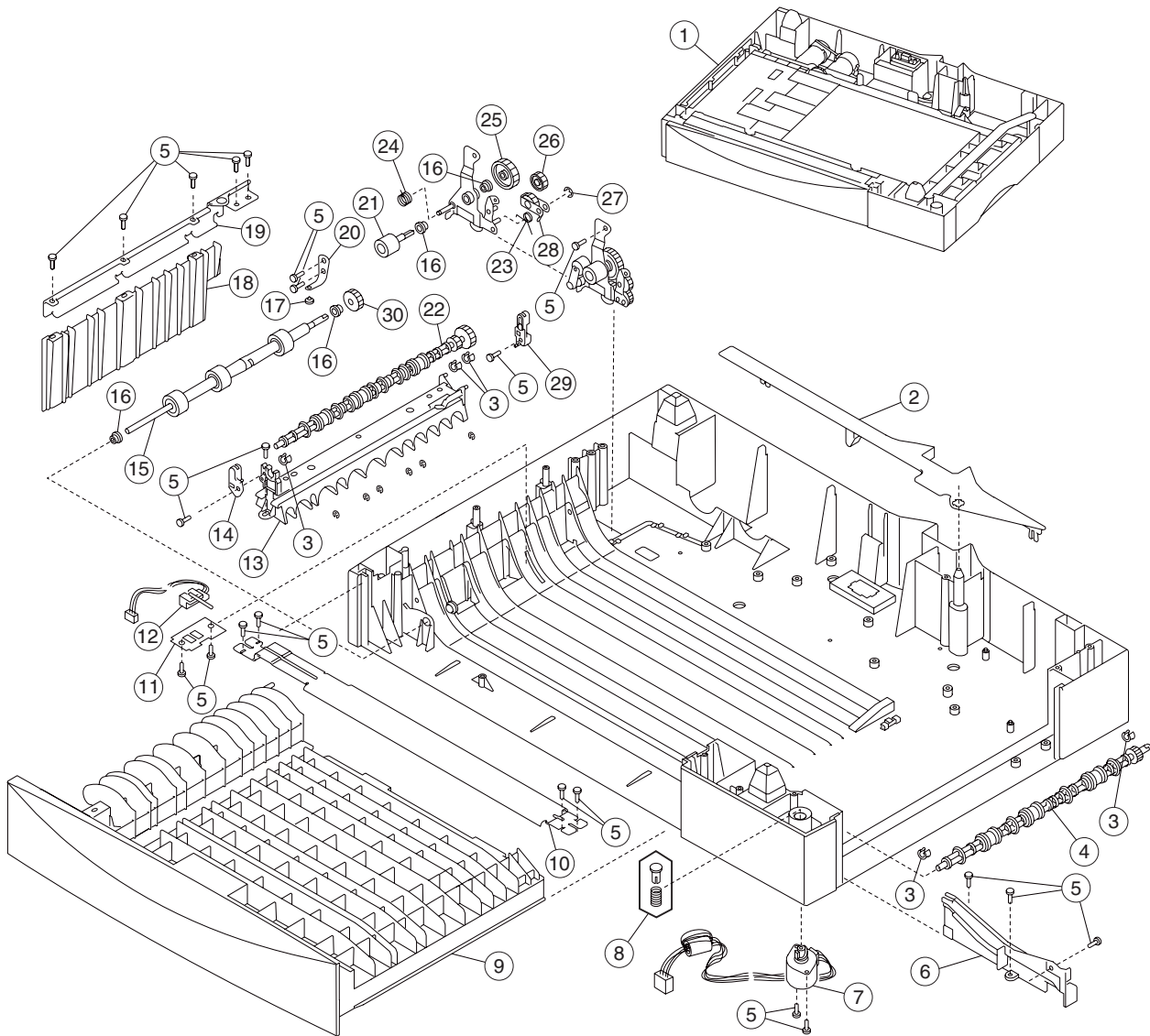
Assembly 29.1: 500-Sheet drawer option



Assembly 29.1: 500-Sheet drawer option

Asm-Index	Part number	Units/ option	Units/ FRU	Description
29.1-1	40X1901	1	1	Drive assembly, 500 option 2
2		31	31	Screw type 323, parts packet, 40X1633
3	40X1910	1	1	500-Sheet option tray pick assembly
4	40X1898	1	1	Paper level sensing assembly
5	40X1938	1	1	Autoconnect cable assembly
6	40X1648	1	6	Cable tie (6 in a pack) Note: To secure cables to the inner system board shield)
7	40X1908	1	1	Frame cover
8	40X1730	1	1	Tray interlock bellcrank
9	40X1891	1	1	Pass thru sensor
10	40X1896	1	1	Hinge
11	40X1894	1	1	Electronics/size sensing assembly with system board
12	40X1741	1	1	Pick arm lift bellcrank
13	40X1899	1	1	Media size sensing assembly
14	40X1734	1	1	Bellcrank lift spring
15	40X1907	1	1	500-Sheet base assembly
16	40X1601	7	1	Machine pad
17	40X1903	1	1	Plate, 500-Sheet support assembly
18	40X1909	1	1	Paper guide
19	40X1897	1	1	Wall support plate
20	40X1911	1	1	Base door assembly
21	40X1895	1	1	500-sheet option spring
22	40X1913	1	1	500-Sheet option deflector
23	40X1765	2	2	Pick roll tires (2 per pack)
NS	40X1671	4	6	Cable tie (6 in pack)

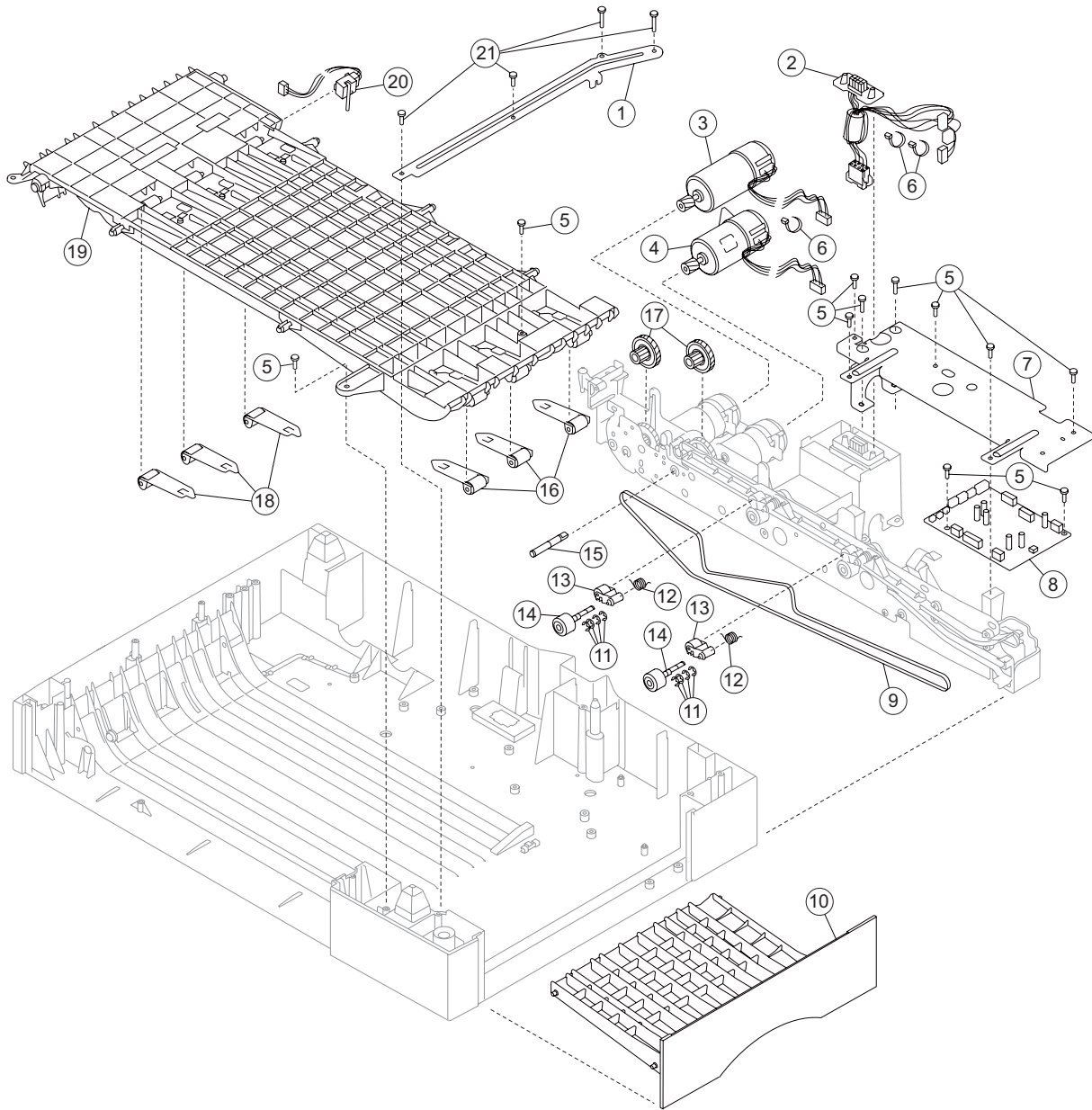
Assembly 30: Duplex option



Assembly 30: Duplex option

Asm-Index	Part number	Units/ option	Units/ FRU	Description
30-1	40X1920	1	1	Duplex option, complete
2	40X1961	1	1	Back cover
3	40X1965	5	1	Redrive bearing
4	40X1930	1	1	Duplex entry shaft assembly
5		20	20	Screw type 312/322/412/423, parts packet, 40X1691
6	40X1923	1	1	Right side front tray guide
7	40X1956	1	1	Deflector actuator assembly
8	40X1957	1	1	Deflector follower assembly
9	40X1959	1	1	Duplex front jam tray assembly
10	40X1935	1	1	Duplex support bracket
11	40X1964	1	1	Sensor mount plate
12	40X1927	1	1	Duplex exit sensor
13	40X1924	1	1	Duplex shaft mount
14	40X1954	1	1	Front decurl assembly
15	40X1979	1	1	F/R backup shaft assembly
16	40X1951	1	1	5 mm bushing
17	40X1948	1	1	Brake pad
18	40X1963	1	1	Duplex paper guide
19	40X1933	1	1	Wall support
20	40X1950	1	1	Brake spring
21	40X1947	1	1	Pass thru shaft assembly
22	40X1926	1	1	Duplex shaft assembly
23	40X1944	1	1	Pass thru spring
24	40X1814	1	1	Aligner arm spring
25	40X1942	1	1	Spur drive gear
26	40X1943	2	1	26T duplex gear
27			1	Retainer, parts packet, 40X1966
28	40X1946	1	1	Bellcrank assembly
29	40X1949	1	1	Decurl BAC assembly
30	40X1929	1	1	40T shaft drive F/R gear
NS	40X1955	1	1	Pulley washer

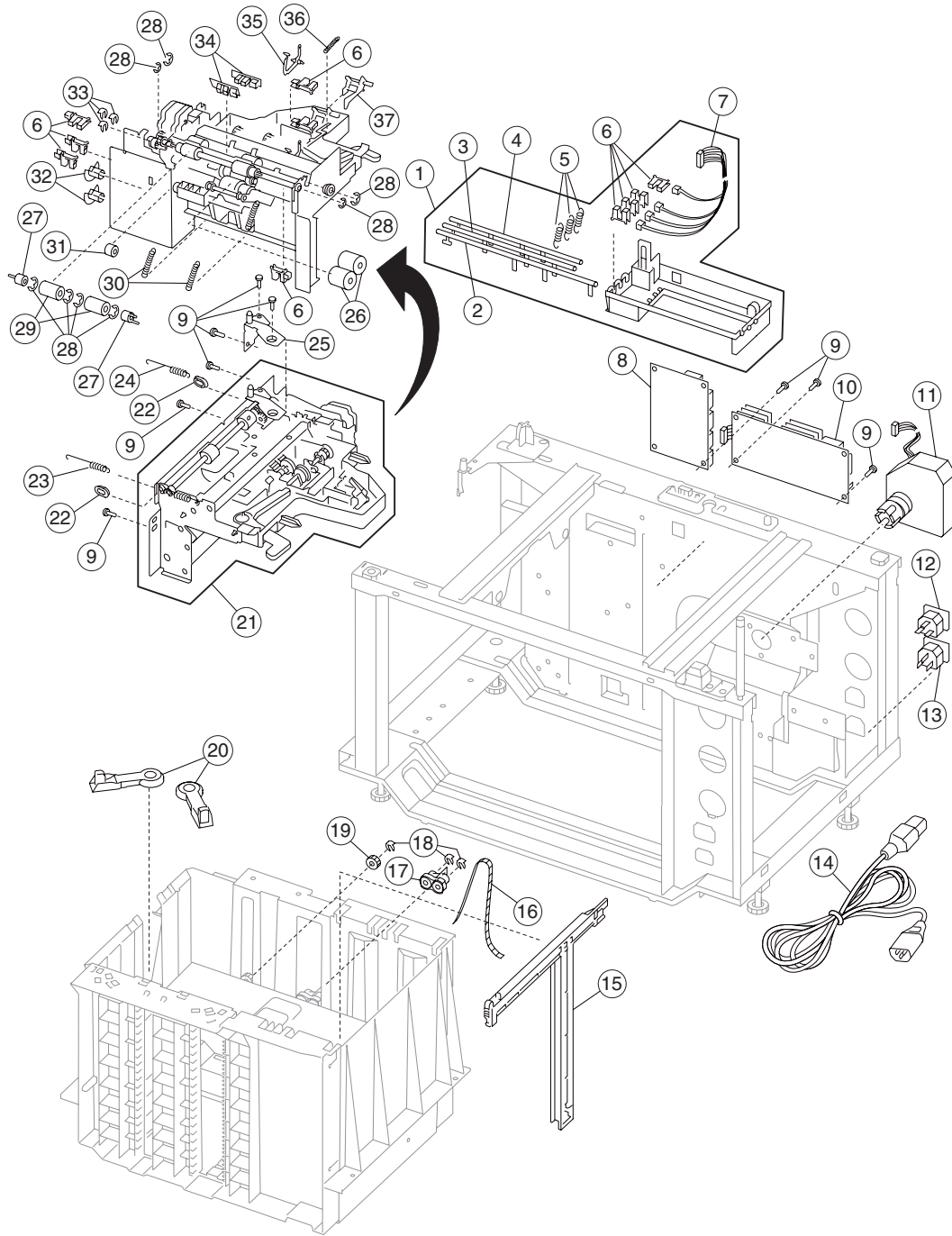
Assembly 30.1: Duplex option



Assembly 30.1: Duplex option

Asm-Index	Part number	Units/ option	Units/ FRU	Description
30.1-1	40X1934	1	1	Duplex support plate
2	40X1938	1	1	Autoconnect cable assembly
3	40X1939	1	1	DC forward/reverse motor assembly
4	40X1940	1	1	DC duplex feed motor
5		1	1	Screw type 323, parts packet, 40X1633
6	40X1648	6	6	Cable tie (6 in pack)
7	40X1937	1	1	Back support
8	40X1922	1	1	Duplex card assembly
9	40X1958	1	1	Transfer belt
10	40X1960	1	1	Right jam clearance tray assembly
11	40X1969	1	1	C-clip retainer
12	40X1953	2	1	Aligner spring
13	40X1967	2	1	Paper guide assembly
14	40X1941	2	1	Drive alignment shaft assembly
15	40X1952	1	1	Reduction gear shaft
16	40X1931	3	3	Right backup spring assembly
17	40X1968	2	1	Drive gear
18	40X1932	3	3	Left backup spring assembly
19	40X1962	1	1	Upper rib assembly
20	40X1925	1	1	Duplex input sensor
21		4	4	Screw type 324, parts packet 440X1635

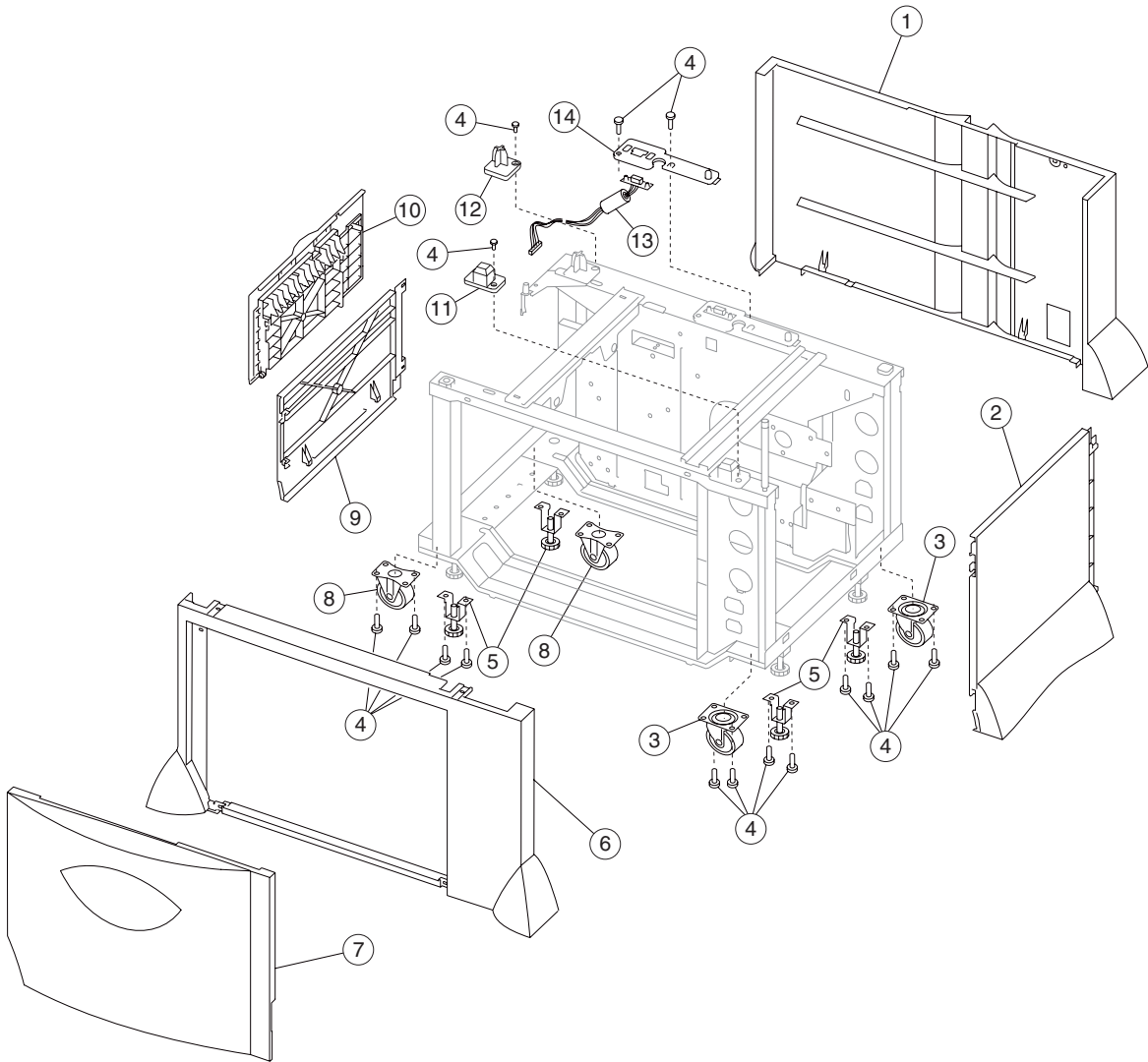
Assembly 31: High-capacity input tray (HCIT)



Assembly 31: HCIT

Asm-Index	Part number	Units/ option	Units/ FRU	Description
31-1	40X2137	1	1	Paper size sensor box assembly
2	40X2111	1	1	Flag, paper size F
3	40X2112	1	1	Flag, paper size C
4	40X2110	1	1	Flag, paper size R
5	40X2113	3	1	Spring, paper size flag
6	40X2108	10	1	Sensor, photo interrupter
7	40X2103	1	1	Paper size sensors cable
8	40X2095	1	1	System control board
9				Screw type 312/322/412/423, parts packet, 40X1691
10	40X2096	1	1	LVPS
11	40X2105	1	1	Elevator motor assembly
12	40X2097	1	1	AC power outlet
13	40X2098	1	1	AC power inlet
14	40X2091	1	1	AC power cord jumper
15	40X2115	1	1	Paper tray guide
16	40X2134	1	1	Elevator lift belt
17	40X2136	1	1	Elevator lift
18	40X2139	3	1	Ring 7, elevator lift gear/elevator lift
19	40X2135	1	1	Elevator lift gear
20	40X2114	2	1	Paper tray arms
21	40X2116	1	1	Feed unit, complete assembly
22	40X2118	2	1	Bushing
23	40X2124	1	1	Front feed unit spring
24	40X2125	1	1	Rear feed unit spring
25	40X2138	1	1	Feed cover
26	40X2131	2	1	Separation/torque roller
27	40X2120	2	1	Feed cam
28				E-clips, parts packet, 40X2122
29	40X2119	2	2	Feed roller
30	40X2121	2	1	Feed unit spring
31	40X2123	1	1	060 bushing
32	40X2133	2	1	Emitter timing wheel
33	40X2126	2	2	Plastic 5W clip
34	40X2117	2	1	Special optical sensors
35	40X2127	1	1	Level sensor flag
36	40X2129	1	1	Extension spring
37	40X2128	1	1	Near empty sensor flag
NS	40X2090	1	1	HCIT option

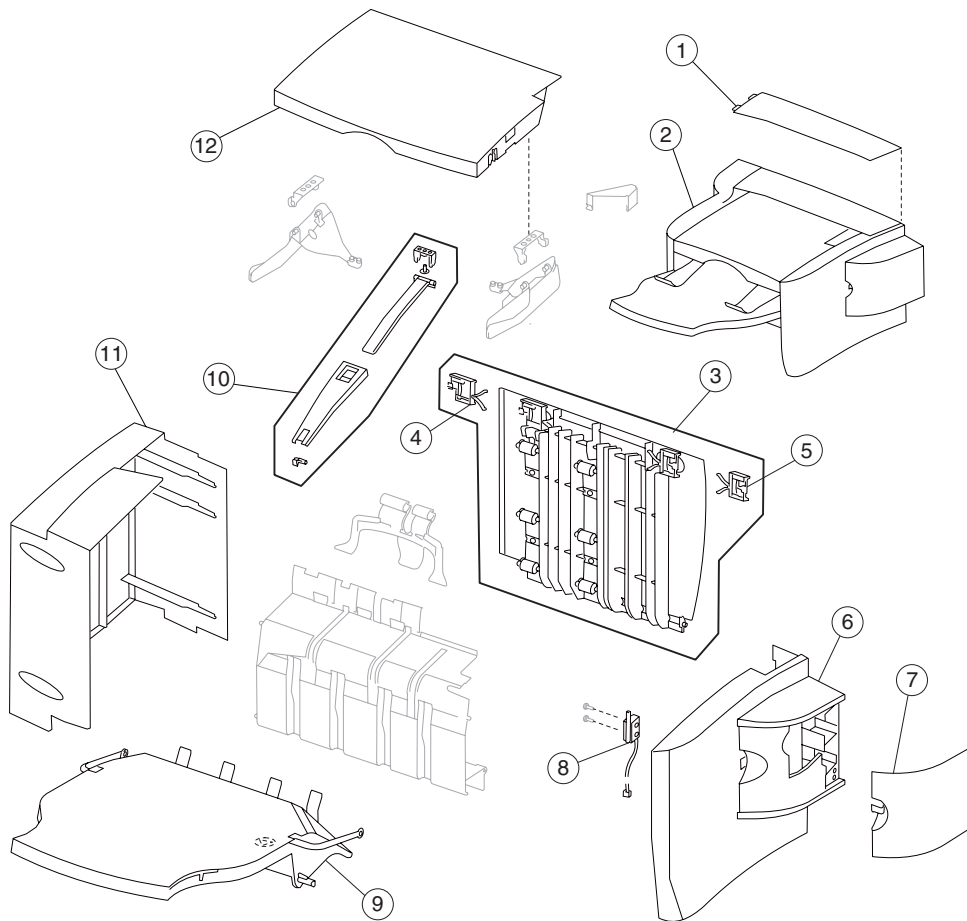
Assembly 31.1: High-capacity input tray (HCIT)



Assembly 31.1: HCIT

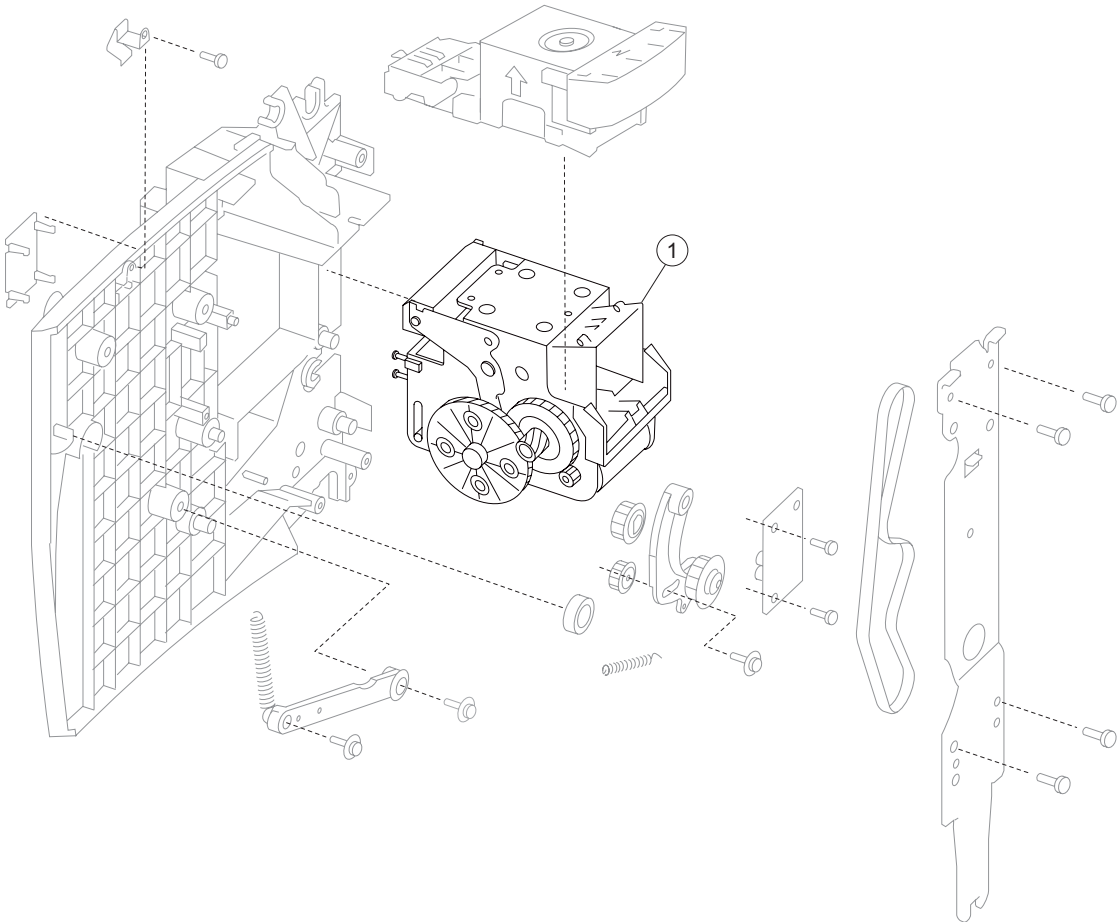
Asm-Index	Part number	Units/ option	Units/ FRU	Description
31.1-1	40X2145	1	1	Rear cover
2	40X2143	1	1	Right side cover
3	40X2092	2	1	Caster, movable
4		16	16	Screw type 312/322/412/423, parts packet, 40X1691
5	40X2094	4	1	F adjuster
6	40X2141	1	1	Front cover
7	40X2142	1	1	Cover, main CA
8	40X2093	2	1	Caster, fixed
9	40X2144	1	1	Left side cover
10	40X2146	1	1	Upper left side jam cover
11	40X2100	1	1	Locating pin, options front right
12	40X2099	1	1	Locating pin, options rear left
13	40X2106	1	1	Options autoconnect cable assembly
14	40X2109	1	1	Options cable mounting plate
NS	40X2101	1	1	Feed unit special sensors cable
NS	40X2102	1	1	Feed unit sensors cable
NS	40X2104	1	1	Elevator motor cable
NS	40X2107	1	1	Magnetic latch
NS	40X2130	1	1	Tray present lever
NS	40X2132	9	1	Cable clamp
NS	40X2140	1	1	Stabilizer kit with mounting screws

Assembly 32: StapleSmart finish



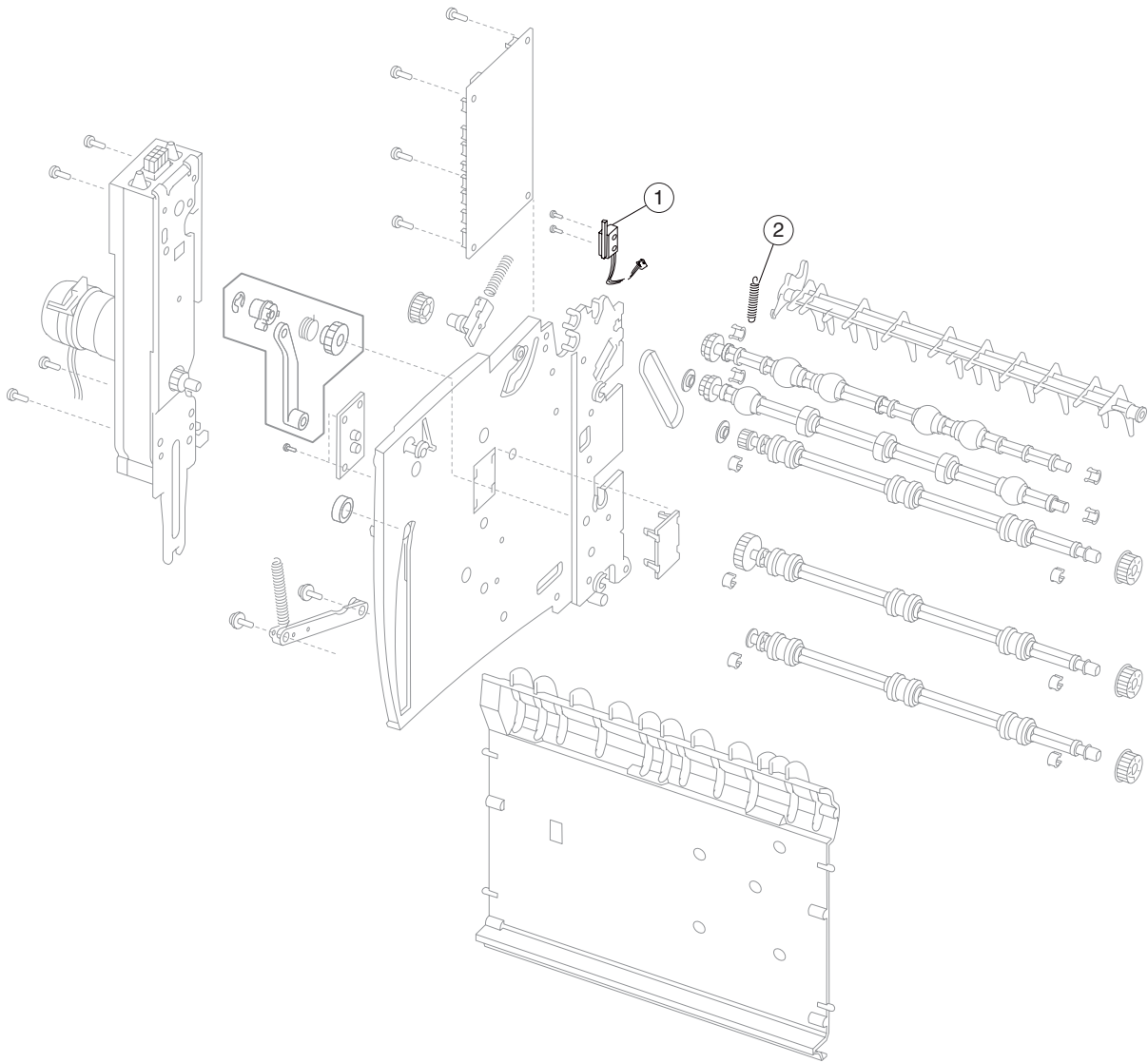
Asm-Index	Part number	Units/ option	Units/ FRU	Description
32—1	40X2159	1	1	Redrive cap cover
2	40X2150	1	1	Complete option
3	40X2155	1	1	Jam access door
4	40X2156	1	1	Front door latch
5	40X2157	1	1	Access door rear latch
6	40X2152	1	1	Front assembly cover
7	40X2153	1	1	Stapler access cover
8	40X3274	1	1	Stapler access door switch assembly
9	40X3277	1	1	Output assembly tray
10	40X1816	1	1	Stacking bail kit
11	40X2031	1	1	Rear assembly cover
12	40X2154	1	1	Top assembly cover

Assembly 32.1: StapleSmart finisher



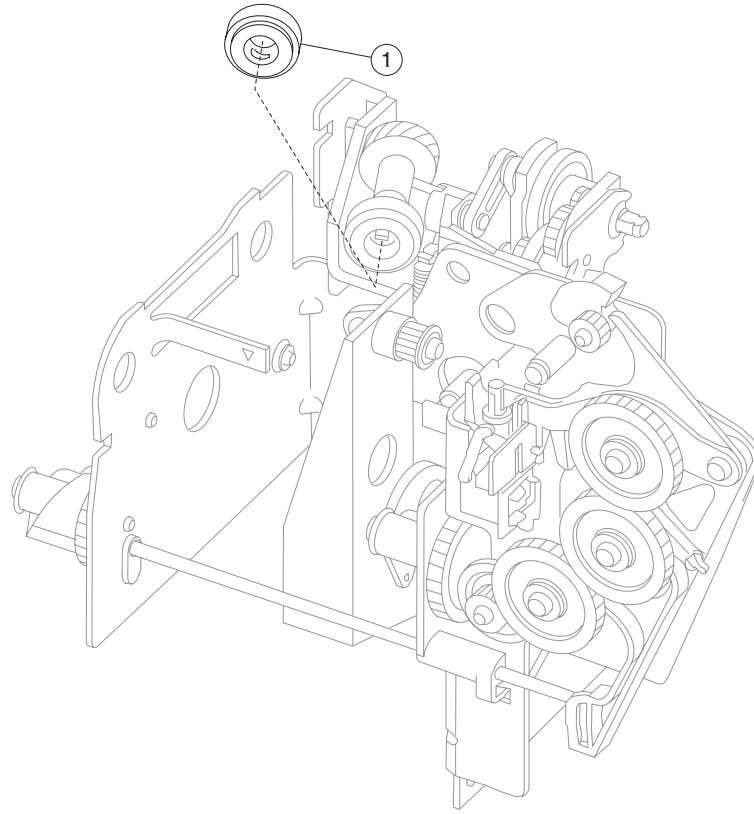
Asm-Index	Part number	Units/option	Units/FRU	Description
32.1—1	40X3278	1	1	Stapler assembly

Assembly 32.2: StapleSmart finisher



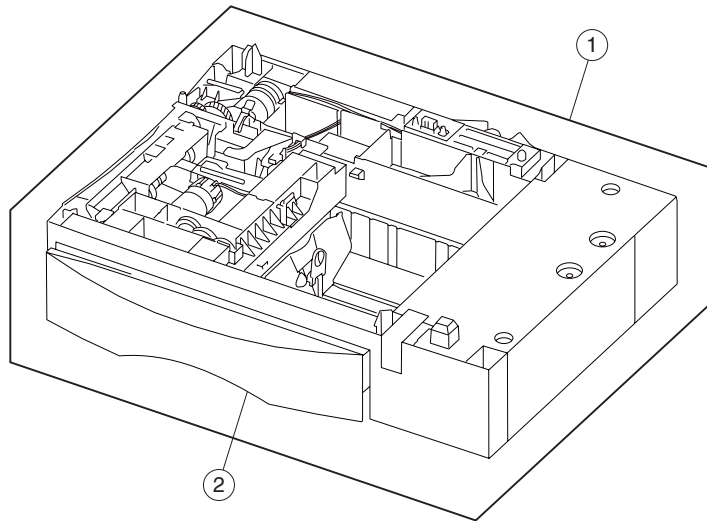
Asm-Index	Part number	Units/ option	Units/ FRU	Description
32.2—1	40X3279	1	1	Switch assembly, safety cover open
2	99A0104	1	1	Spring, upper diverter

Assembly 32.3: StapleSmart finisher



Asm-Index	Part number	Units/option	Units/FRU	Description
32.3—1	99A2480	1	1	StapleSmart wheels maintenance kit

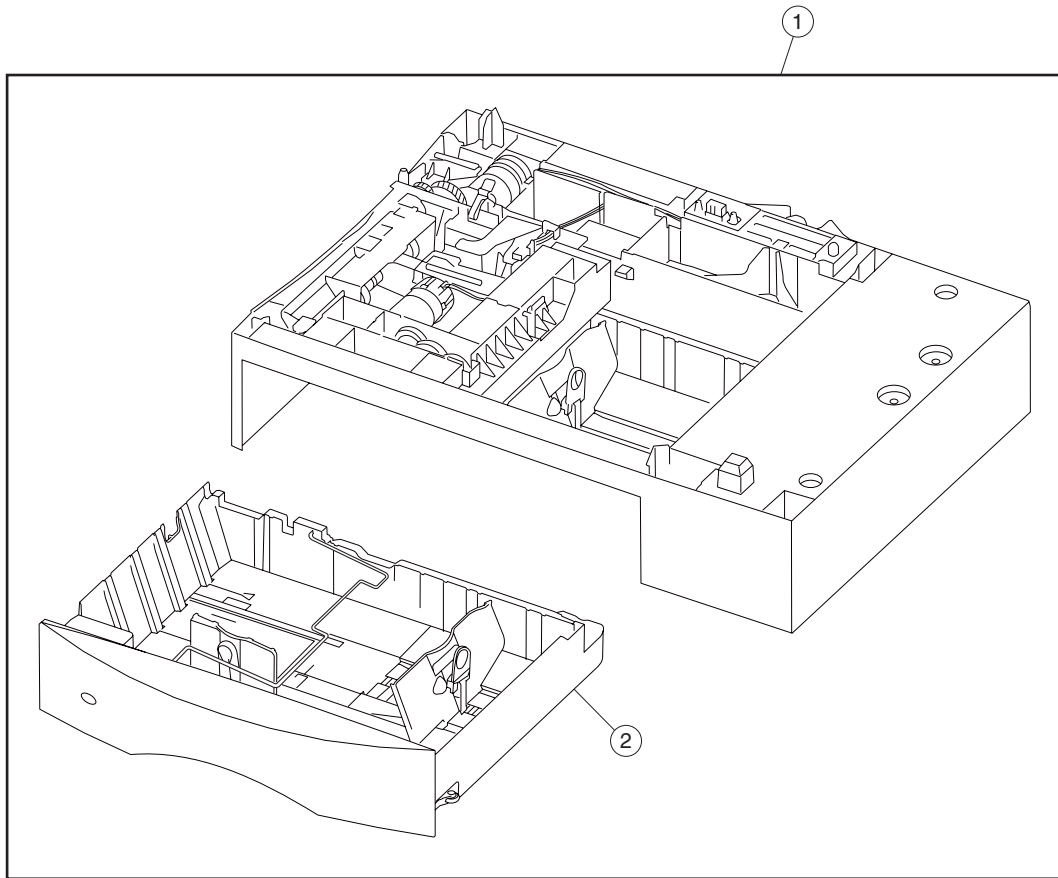
Assembly 33: Envelope option



Assembly 33: Envelope option

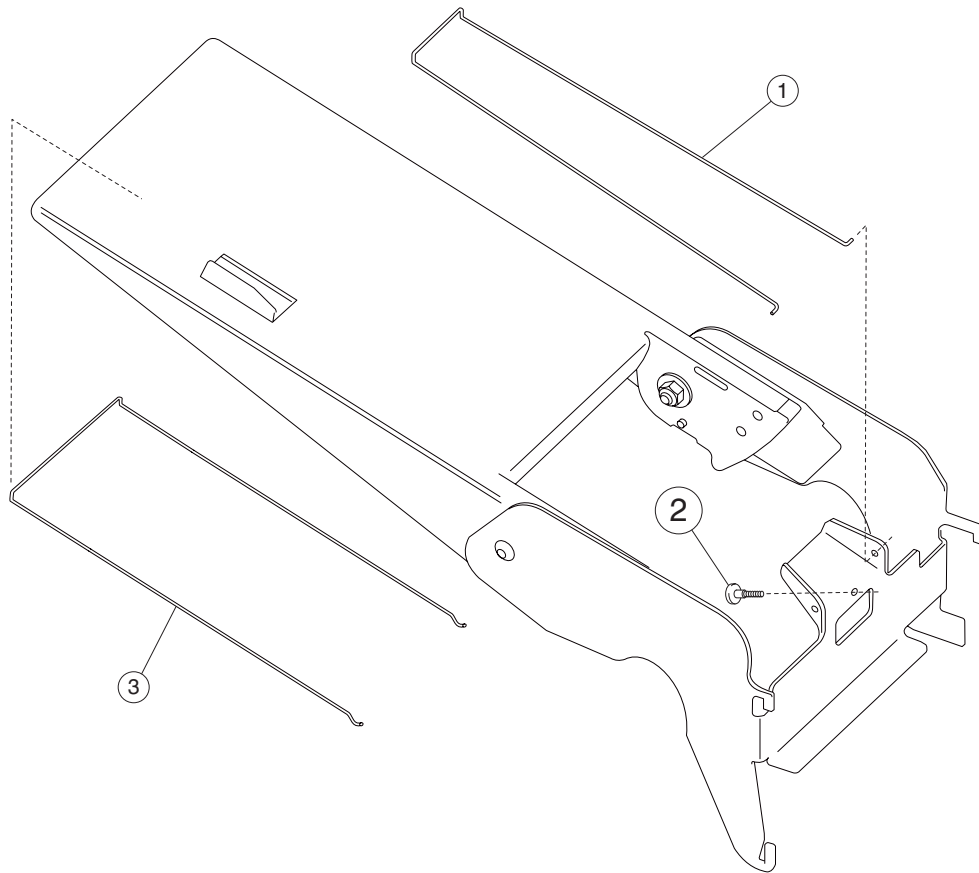
Asm-Index	Part number	Units/option	Units/FRU	Description
33-1	40X1842	1	1	Envelope option, complete
2	40X1843	1	1	Envelope tray assembly
NS	40X2080	1	1	Envelope feeder pick tire

Assembly 34: Outdoor media tray option



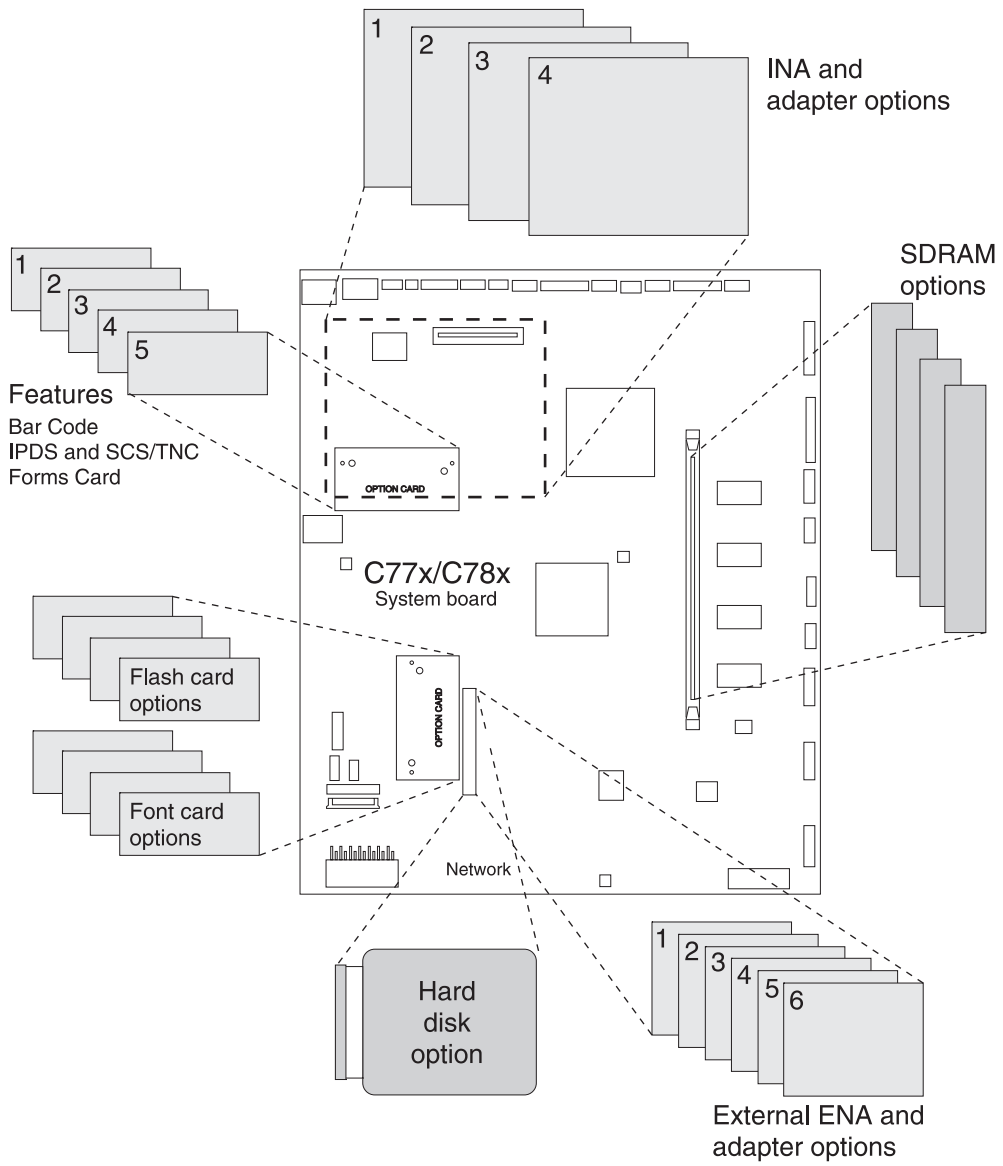
Asm-Index	Part number	Units/ option	Units/ FRU	Description
35-1	40X2083	1	1	Outdoor media drawer assembly
2	40X2084	1	1	Outdoor media tray assembly

Assembly 35: Banner option



Asm-Index	Part number	Units/option	Units/FRU	Description
36-1	40X2086	1	1	Paper support bail
2	40X2088	1	1	Banner option screw
3	40X2087	1	1	Wire bail

Assembly 36: Options



Assembly 36: Options and miscellaneous

Asm-Index	Part number	Units/option	Units/FRU	Description
NS	40X1508	1	1	128MB SDRAM card assembly
NS	40X1509	1	1	256MB SDRAM card assembly
NS	40X1510	1	1	512MB SDRAM card assembly
NS	40X1454	1	1	32MB Flash DIMM card assembly
NS	40X1455	1	1	64MB Flash DIMM card assembly
NS	40X1514	1	1	Traditional Chinese font DIMM card assembly
NS	40X1513	1	1	Simplified Chinese font DIMM card assembly
NS	40X1512	1	1	Japanese font card assembly
NS	40X1515	1	1	Korean font card assembly card assembly
NS	40X0290	1	1	RS-232 serial interface card
NS	40X3522	1	1	IPDS/SCS card assembly—1xx/3xx only
NS	40X4743	1	1	IPDS/SCS card assembly—2xx/4xx only
NS	40X3521	1	1	Bar code card assembly—1xx/3xx only
NS	40X4741	1	1	Bar code card assembly—2xx/4xx only
NS	40X3523	1	1	Lexmark Forms card assembly—1xx/3xx only
NS	40X4742	1	1	Lexmark Forms card assembly—2xx/4xx only
NS	40X3524	1	1	PrintCryption™ card assembly—1xx/3xx only
NS	40X4744	1	1	PrintCryption card assembly—2xx/4xx only
NS	40X4754	1	1	PRESCRIBE card assembly—2xx/4xx only
NS	40X0291	1	1	Adapter, parallel 1284-B
NS	40X2610	1	1	Hard Disk, 40GB with/adapter (formatted)
NS	40X1592	1	1	MarkNet N7020e ENA adapter
NS	40X1593	1	1	MarkNet N7000e ENA adapter
NS	40X1594	1	1	MarkNet N7000e ENA adapter (requires parallel)
NS	40X1376	1	1	MarkNet N8020 Gigabit Ethernet adapter
NS	40X1377	1	1	MarkNet N8030 Fiber Ethernet adapter
NS	40X1378	1	1	MarkNet N8050 wireless print server, 802.11g, U.S.
NS	40X1562	1	1	MarkNet 8050 wireless print server, 802.11g, non-U.S.
NS		1	1	Screw type 323, parts packet, 40X1633
NS		1	1	Screw type 324, parts packet, 40X1635
NS		1	1	Screw type 232, parts packet, 40X1676
NS		1	1	Screw type 102, parts packet, 40X1639
NS		1	1	Screw type 312/322/412/423, parts packet, 40X1691
NS		1	1	Screw type 484, parts packet, 40X1632
NS		1	1	Screw, 500-sheet tray, parts packet, 40X1665
NS		1	1	Screw type 121, parts packet, 40X1780
NS	7371549	1	1	Relocation package kit assembly—printer
NS	7370563	1	1	Relocation package kit assembly—output expander
NS	7370564	1	1	Relocation package kit assembly—5-bin mailbox
NS	7370565	1	1	Relocation package kit assembly—500 drawer
NS	7370566	1	1	Relocation package kit assembly—duplex

