

7 Parts and diagrams



NOTE In this chapter, part numbers are only listed for available replaceable parts.

This section contains the following information.

- [Overview](#)
- [Assembly locations](#)
- [Upper Cover Assembly](#)
- [Internal assemblies](#)
- [Diagrams](#)
- [Alphabetical parts list](#)
- [Numerical parts list](#)

Overview

Replaceable parts

Order replacement parts from the following Web site:

<http://www.partsdirect.hp.com>

Related documentation and software

Documentation and software are available at the following Web sites.

Table 7-1 Technical support Web sites

HP Customer Care Online	http://www.hp.com/support
Software drivers, support documentation, and answers to frequently asked questions	
HP Technical Training	http://www.hp.com/education

Supplies

Consumables are available directly from HP at the following numbers.

- US: 1-800-538-8787
- Canada: 1-800-387-3154

Contact your local HP Parts Coordinator for other local phone numbers.

Print cartridges

Table 7-2 Print cartridges

Description	Part number
CLJ BLACK PRINT CARTRIDGE	Q6000-67902
CLJ CYAN PRINT CARTRIDGE	Q6001-67902
CLJ YELLOW PRINT CARTRIDGE	Q6002-67902
CLJ MAGENTA PRINT CARTRIDGE	Q6003-67902

Accessories

Table 7-3 Accessories

Product name	Description	Product number	Part number	Exchange number (replacement number)
Optional 250-sheet tray	Optional Tray 3	Q6459A	Q6459-69002	RM1-1916-080

Replacement engines

Table 7-4 Replacement engines

Description	Part number
Replacement printer unit 110V CM1015 (no toner)	CB394-67001
Replacement printer unit 220V CM1015 (no toner)	CB394-67002
Replacement printer unit 110V CM1017 (no toner)	CB395-67001
Replacement printer unit 210V CM1017 (no toner)	CB395-67002
Replacement W/U 110V CM1015 (with toner)	CB394-67056
Replacement W/U 220V CM1015 (with toner)	CB394-67055
Replacement W/U 110V CM1017 (with toner)	CB395-67056
Replacement W/U 220V CM1017 (with toner)	CB395-67055
Refurbished W/U 110V CM1015 (with toner)	CB394-69056
Refurbished W/U 220V CM1015 (with toner)	CB394-69055
Refurbished W/U 110V CM1017 (with toner)	CB395-69056
Refurbished W/U 220V CM1017 (with toner)	CB395-69055

Assembly locations

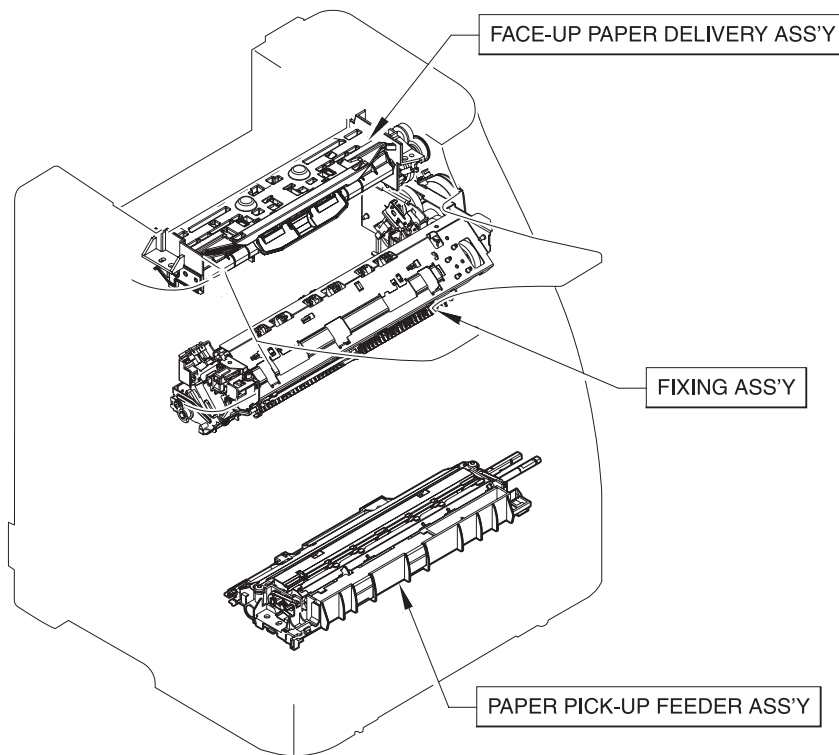


Figure 7-1 Assembly locations (1 of 3)

Table 7-5 Assembly locations (1 of 3)

Ref	Description	Part number	Qty
1	FACE-UP PAPER DELIVERY ASSEMBLY	RM1-4312-000CN	
2	FUSER ASSEMBLY	RM1-4310-000CN (110v) or RM1-4313-000CN (220v)	
3	PAPER PICK-UP FEEDER ASSEMBLY	RM1-1923-000CN	

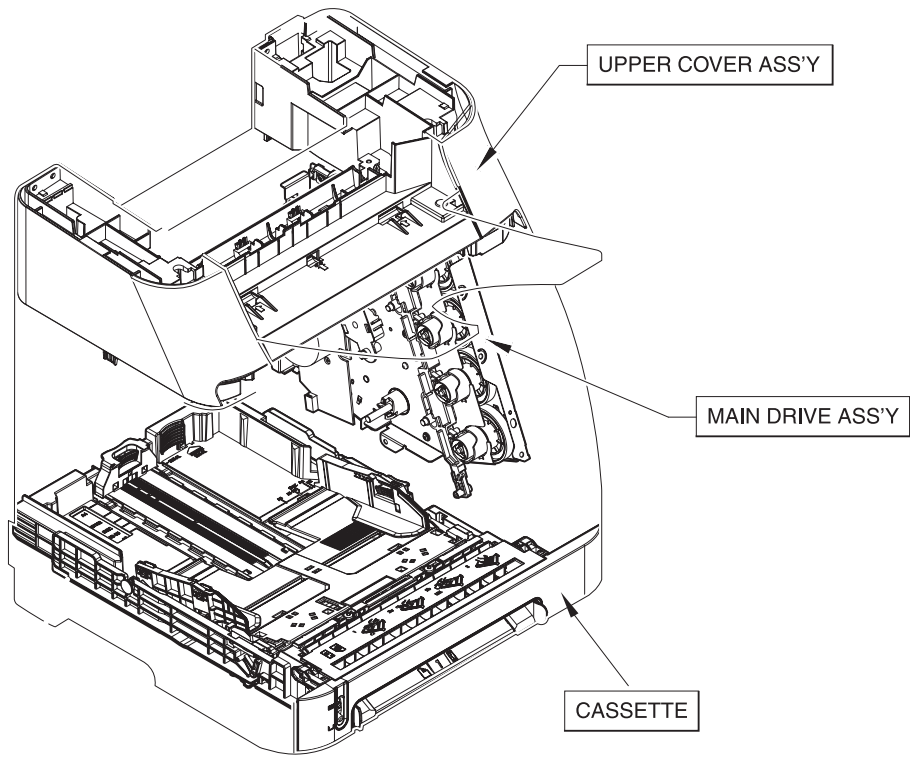


Figure 7-2 Assembly locations (2 of 3)

Table 7-6 Assembly locations (2 of 3)

Ref	Description	Part number	Qty
	UPPER COVER ASSEMBLY	RM1-4311-000CN	
	MAIN DRIVE ASSEMBLY	RM1-1895-120CN	
	CASSETTE	RM1-1916-080CN	

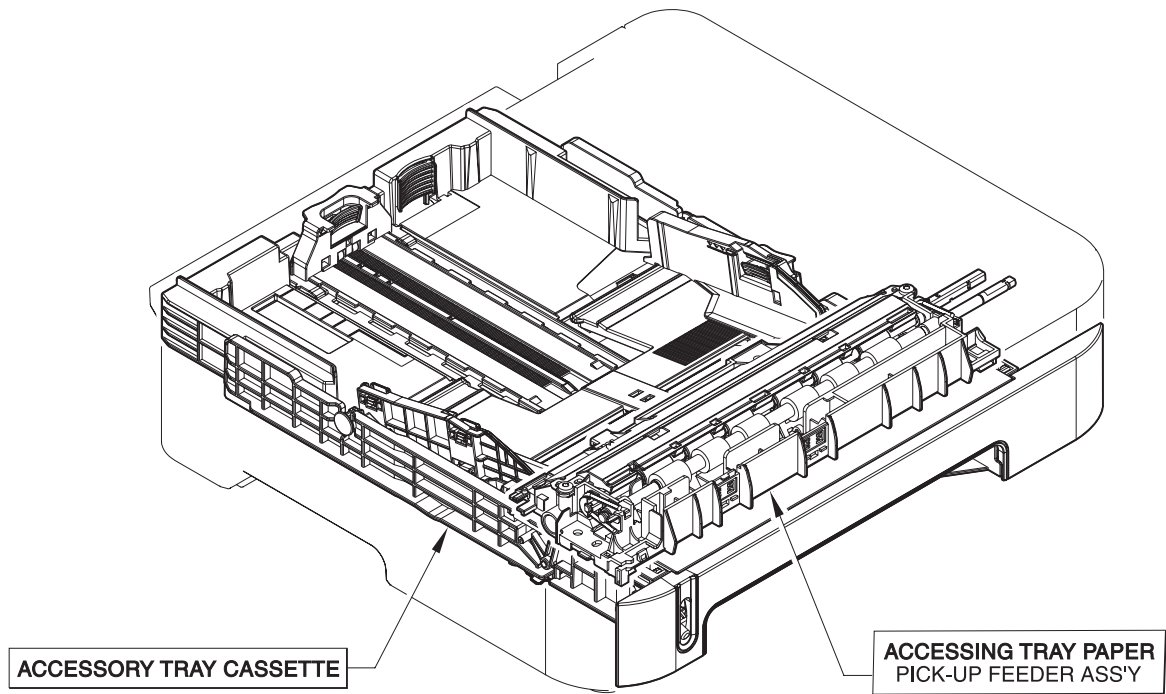


Figure 7-3 Assembly locations (3 of 3)

Table 7-7 Assembly locations (3 of 3)

Ref	Description	Part number	Qty
	ACCESSORY TRAY CASSETTE	RM1-1945-000CN	
	ACCESSORY TRAY PAPER PICKUP FEEDER ASSEMBLY	Q6459-67902	

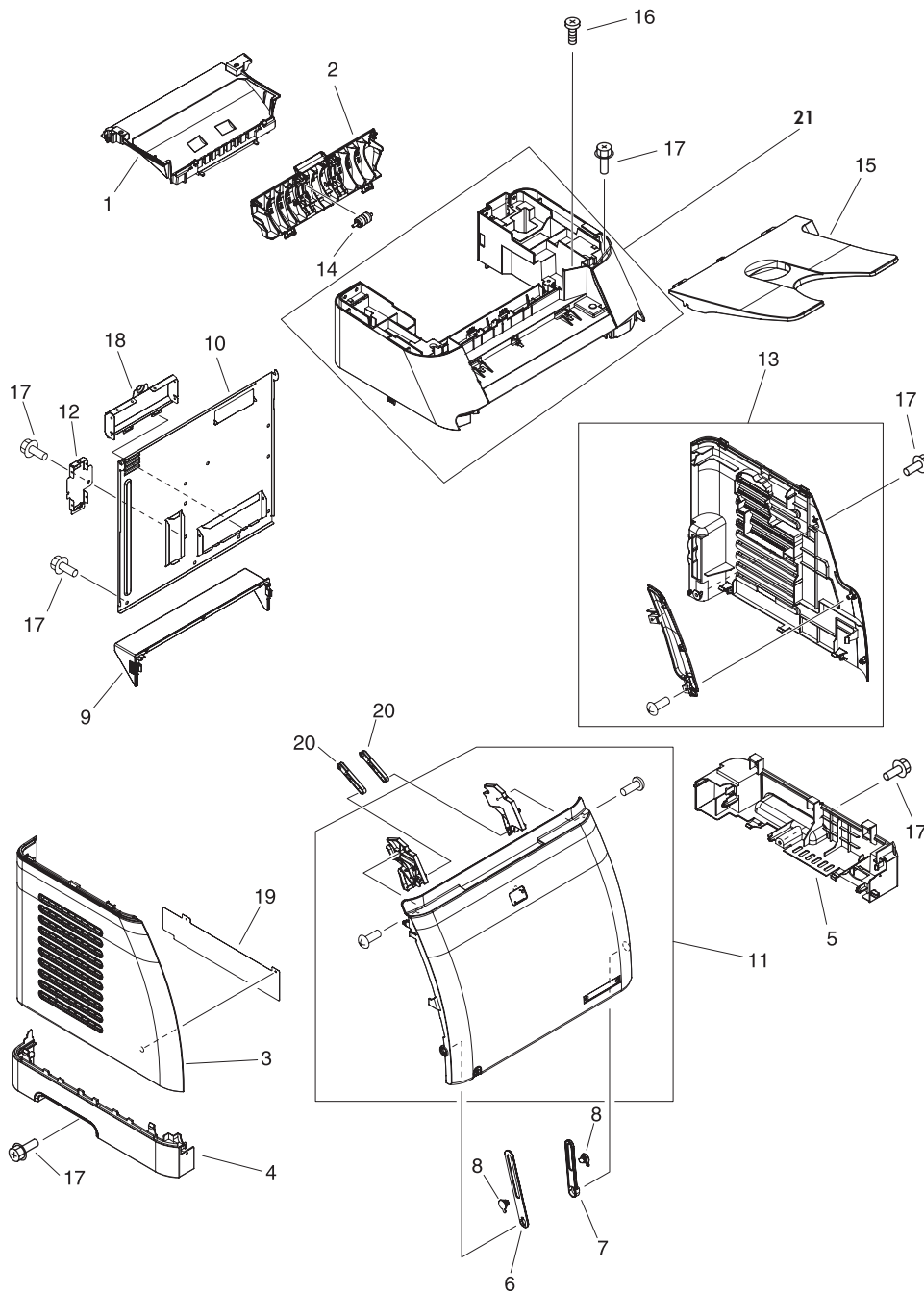


Figure 7-4 External panels and covers

Table 7-8 External panels and covers

Ref	Description	Part number	Qty
	PANEL FRONT (TRAY 2 FRONT COVER)	RC1-5346-000CN	
	RIGHT FRONT PHOTO MEMORY COVER	CB395-67910	
1	COVER, FACE-DOWN	RC2-1672-000CN	2
2	COVER, FACE-UP, REAR	RC2-1675-000CN	1
3	COVER, LEFT	RC1-5183-000CN	1
4	COVER, CASSETTE, LEFT	RC2-1691-000CN	1
5	COVER, CASSETTE RIGHT	RC2-1692-000CN	1
6	ARM, FRONT DOOR, LEFT	RC1-5192-000CN	1
7	ARM, FRONT DOOR, RIGHT	RM1-5193-000CN	1
8	SHAFT, FRONT DOOR ARM	RC1-5194-000CN	2
9	COVER, CASSETTE DUST	RC1-5200-000CN	1
10	PLATE, REAR	RC2-1687-000CN	1
11	FRONT DOOR ASSEMBLY	RM1-4314-000CN	1
12	LID, CONTROLLER	RC1-5229-000CN	1
13	RIGHT COVER ASSEMBLY	RM1-1858-000CN	1
14	ROLLER, FACE-UP	RC2-1682-000CN	4
15	TRAY, FACE-UP	RC2-1671-000CN	1
16	SCREW, TAPPING, TRUSS HEAD M4x10	XB4-7401-005CN	3
17	SCREW RS, M3x8	XA9-1500-000CN	10
18	COVER, CONTROLLER	RC1-5228-000CN	1
19	SHEET, LEFT PANEL, LOWER	RC1-5204-000CN	1
20	LEVER, LINK	RC1-5272-000CN	2
21	UPPER COVER ASSEMBLY	RM1-4311-000CN	1

Upper Cover Assembly

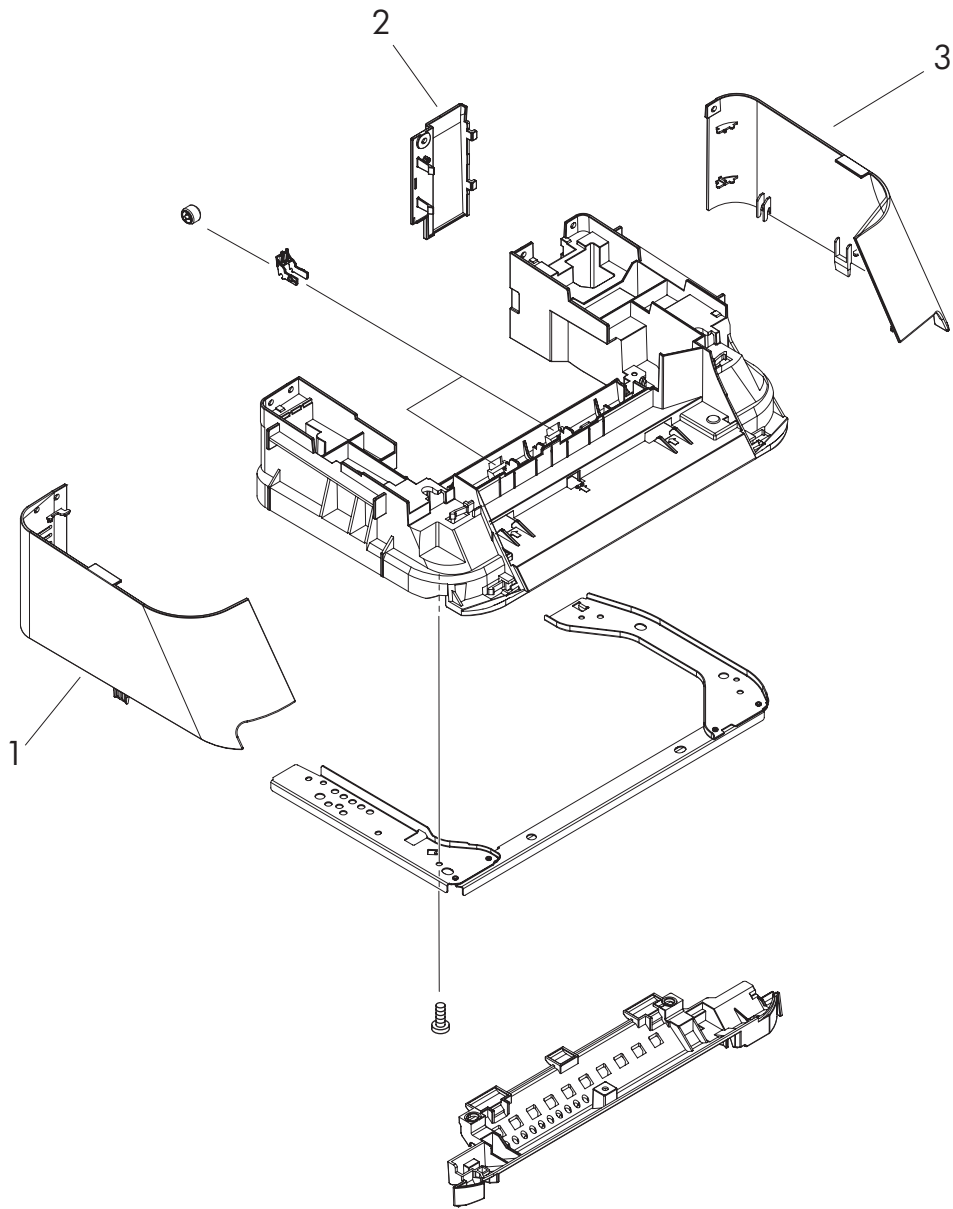


Figure 7-5 Upper cover assembly

Table 7-9 Upper cover assembly

Ref	Description	Part number	Qty
	UPPER COVER ASSEMBLY	RM1-4311-000CN	
1	COVER, UPPER, LEFT	RC2-1664-000CN	
2	COVER, CABLE	RC2-1665-000CN	
3	COVER, UPPER, RIGHT	RC2-1663-000CN	

Internal assemblies

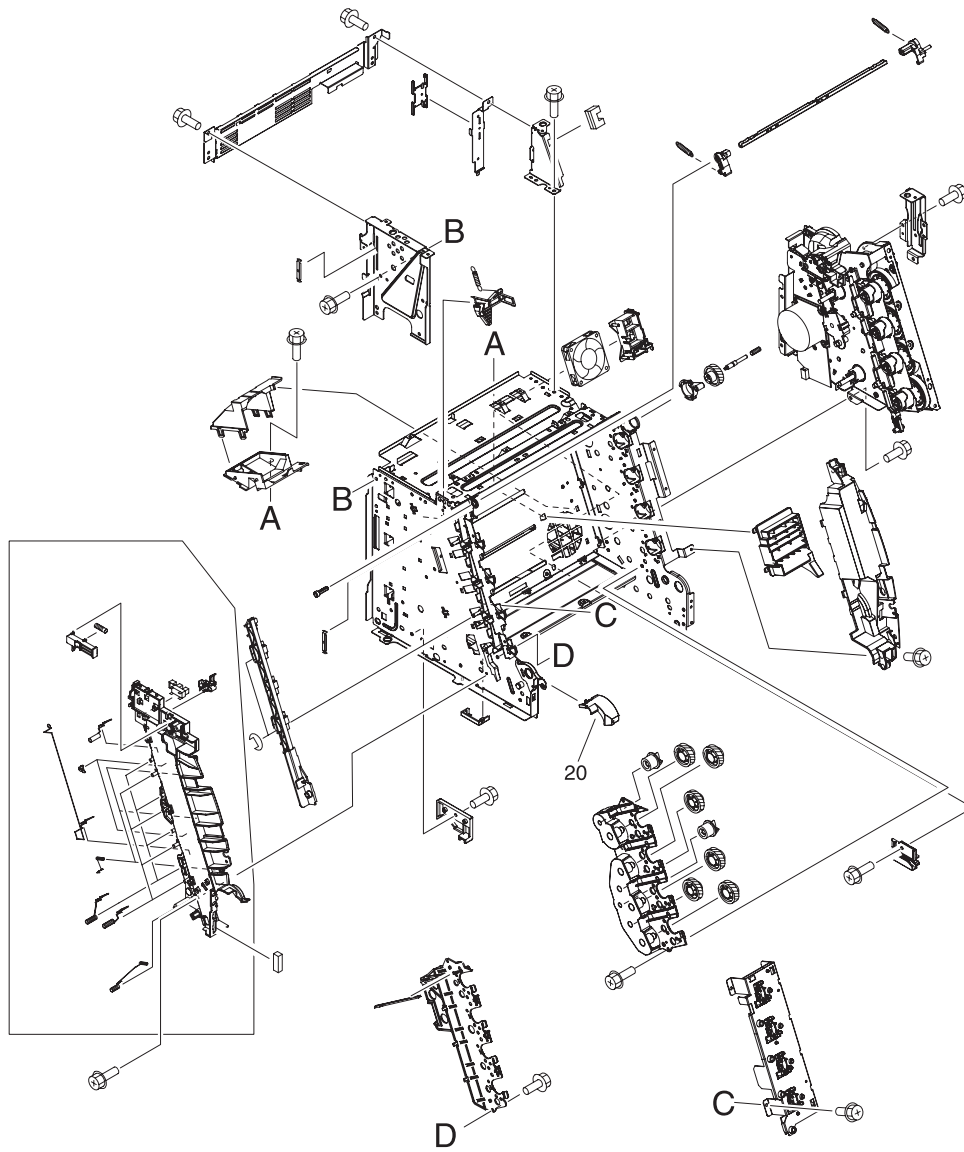


Figure 7-6 Internal components (1 of 3)

Table 7-10 Internal components (1 of 3)

Ref	Description	Part number	Qty
	FERRITE BEAD (FORMATTER AREA)	9170-2083	
	FERRITE BEAD (COLUMN AREA)	9170-2120	
20	COVER, CABLE, UNIT	RC1-5147-000CN	1

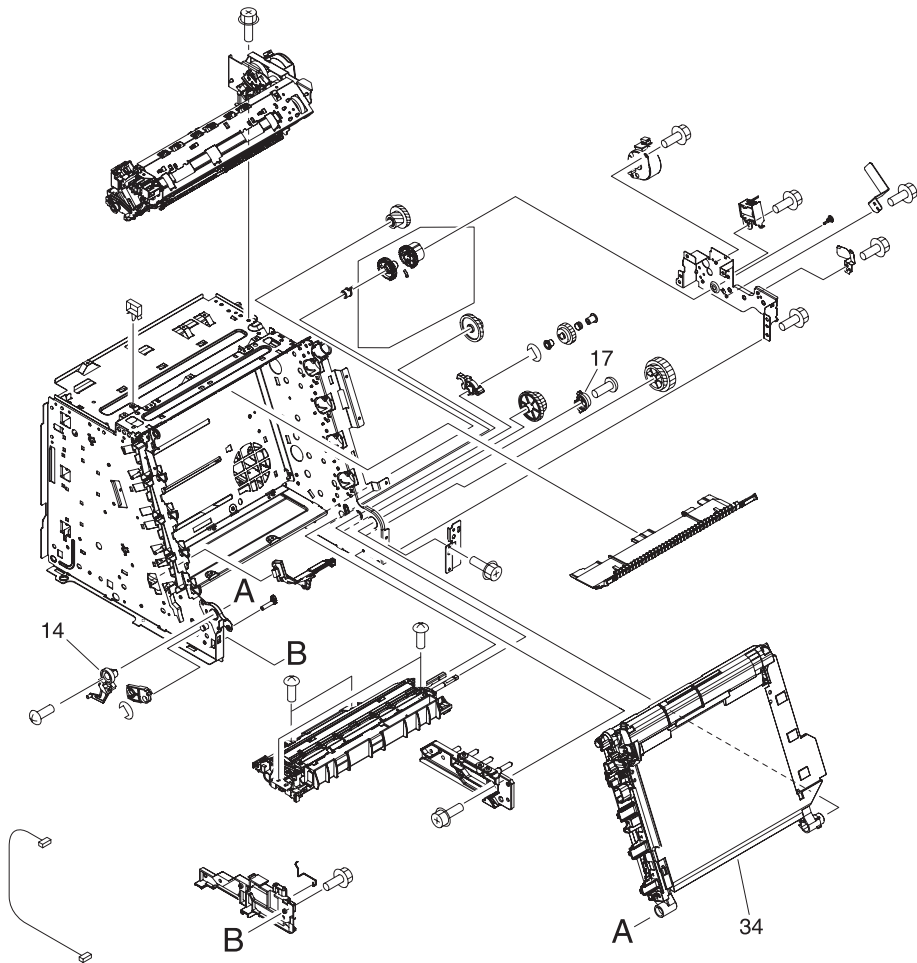


Figure 7-7 Internal components (2 of 3)

Table 7-11 Internal components (2 of 3)

Ref	Description	Part number	Qty
14	CAM, LEFT	RC1-5249-000CN	1
17	CAM, HINGE, RIGHT	RC1-5311-000CN	1
34	ELECT.TRANSPORT BELT ASSEMBLY	RM1-1885-020CN	1

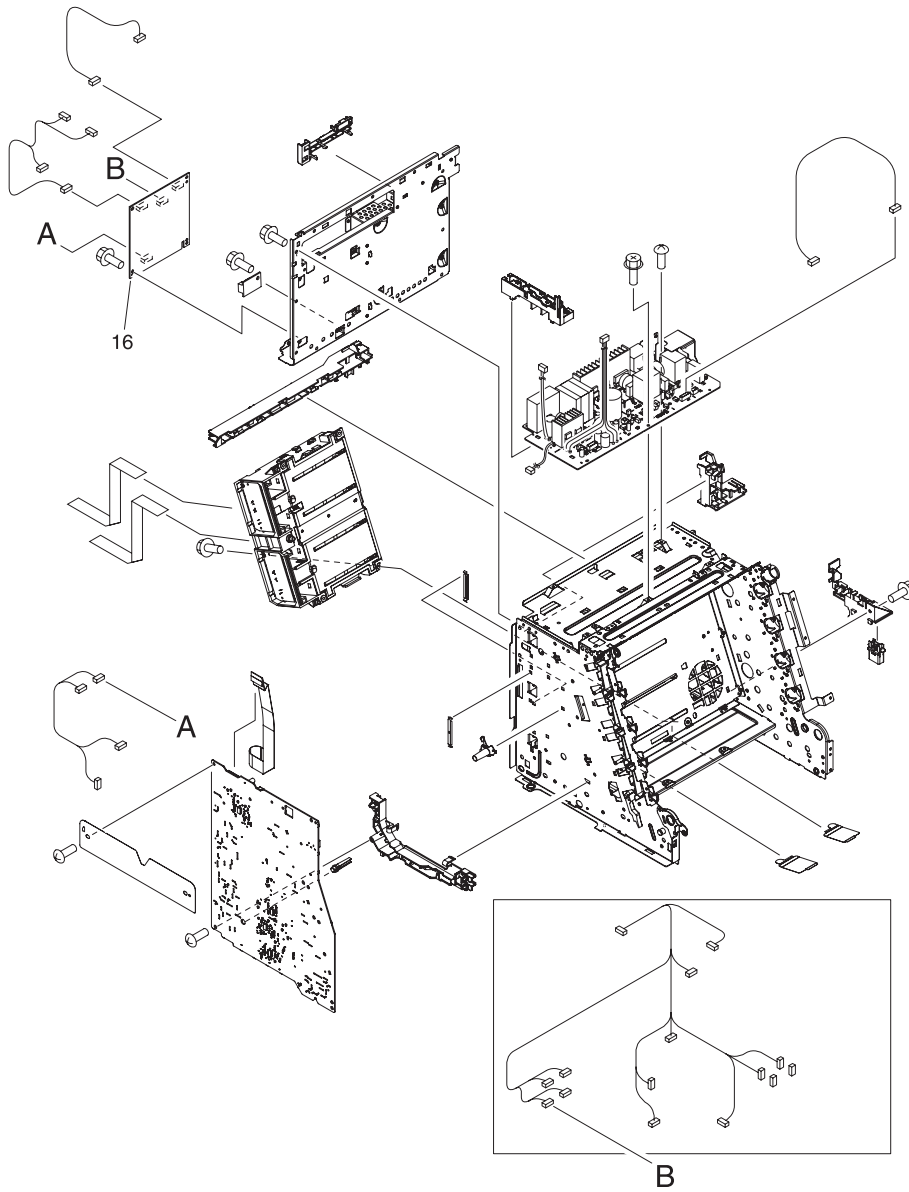


Figure 7-8 Internal components (3 of 3)

Table 7-12 Internal components (3 of 3)

Ref	Description	Part number	Qty
	FORMATTER (CM1015)	CB394-67902	
	FORMATTER (CM1017)	CB395-67902	
	FLAT FLEX CABLE - DCC FORMATTER	Q6456-60101	
16	DC CONTROLLER PCB ASSEMBLY	RM1-4366-000CN	1

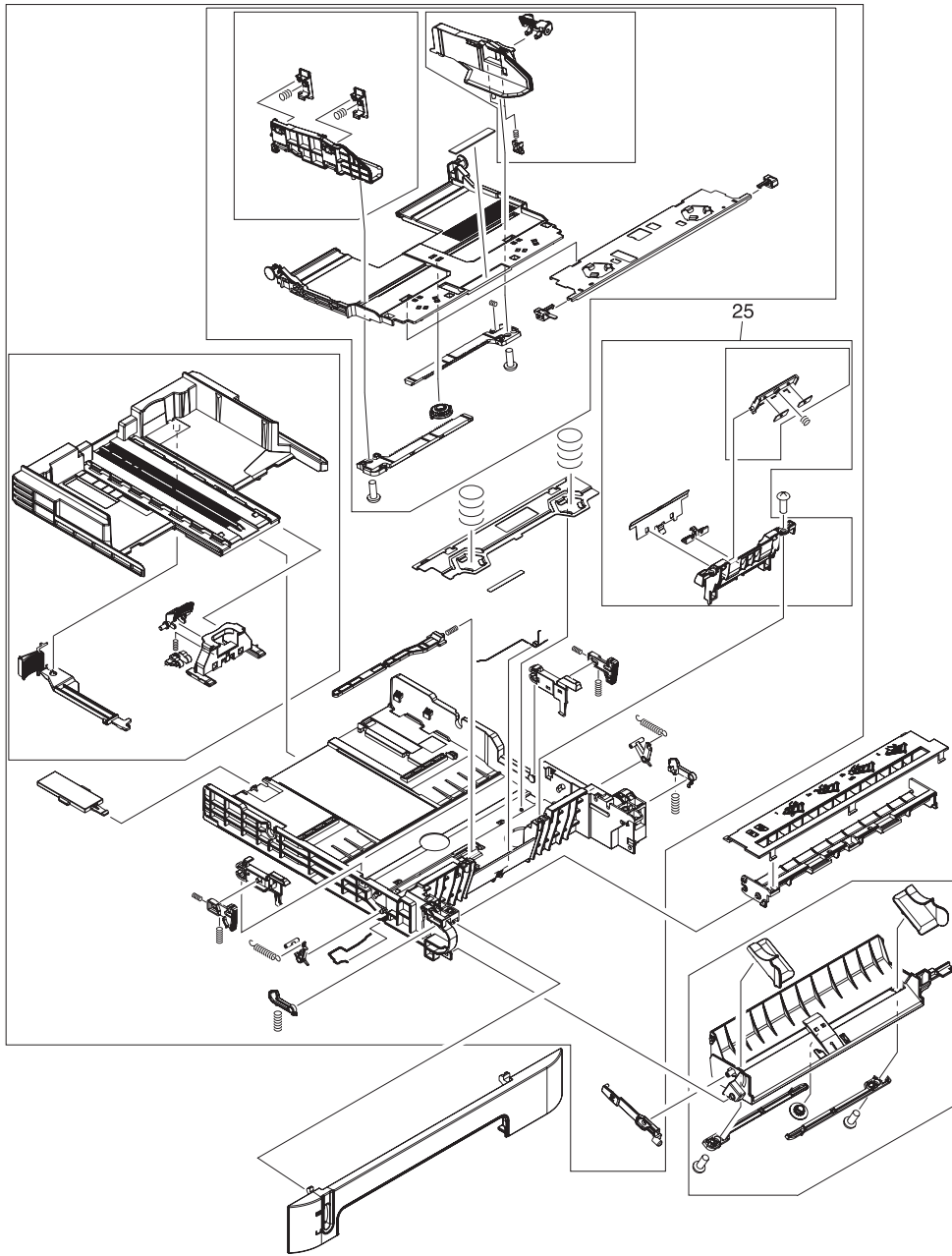


Figure 7-9 Cassette

Table 7-13 Cassette

Ref	Description	Part number	Qty
	CASSETTE	RM1-1916-080CN	1
25	SEPARATION ASSEMBLY	RM1-1922-000CN	1

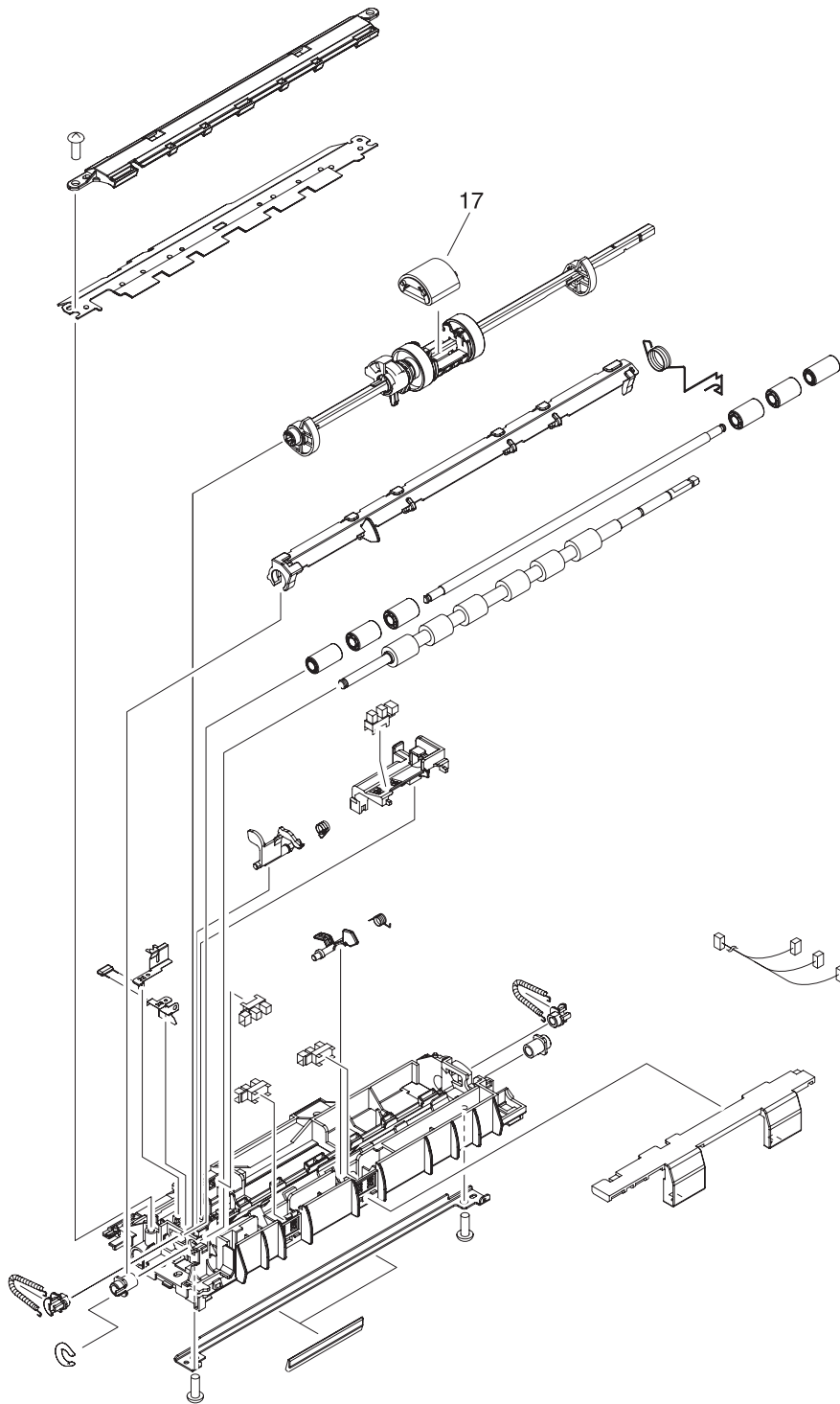


Figure 7-10 Paper pick-up feeder assembly (tray 2)

Table 7-14 Paper pick-up feeder assembly (tray 2)

Ref	Description	Part number	Qty
	PAPER PICK-UP FEEDER ASSEMBLY	RM1-1928-030CN	1
17	ROLLER, PAPER PICK-UP	RC1-5440-000CN	1

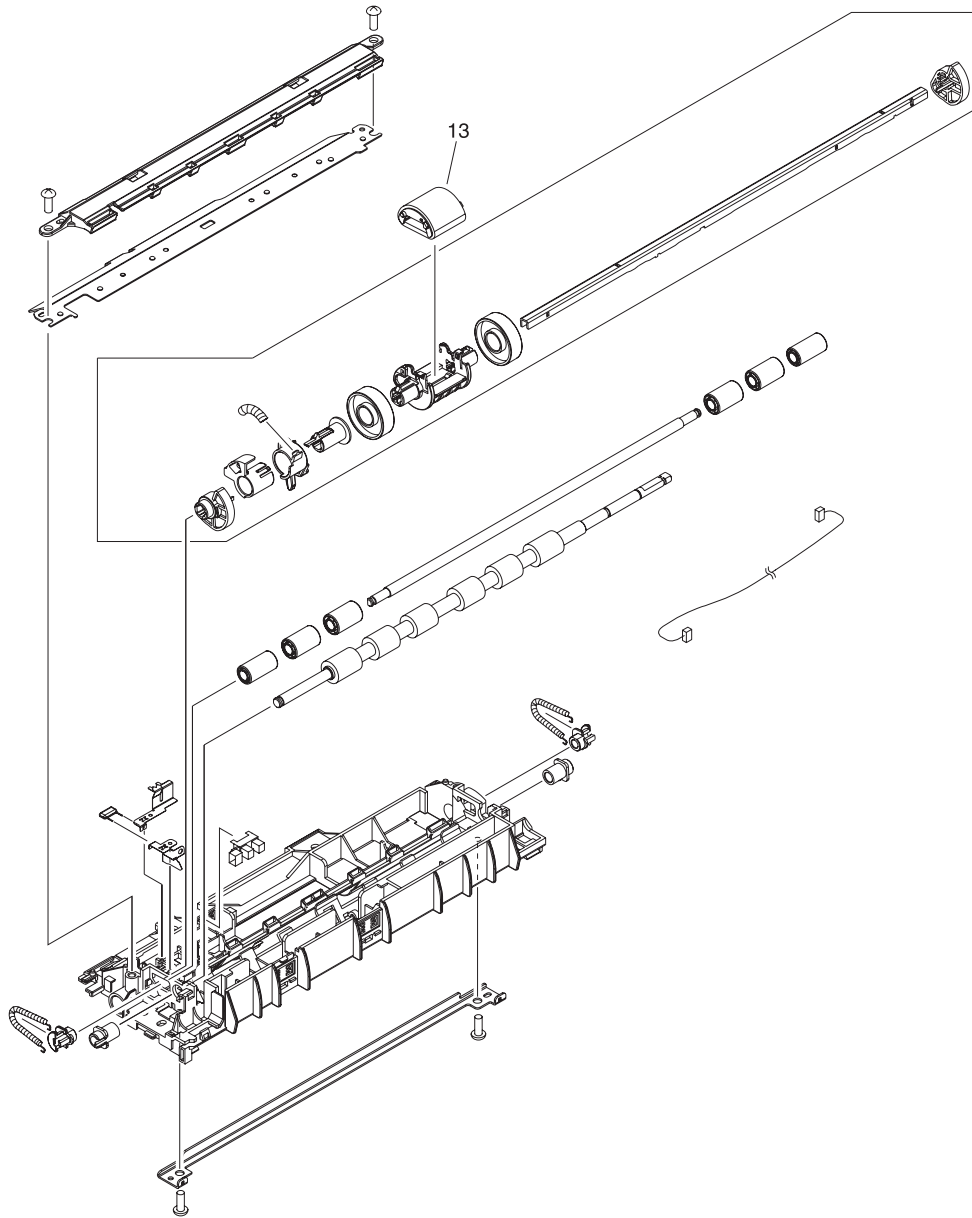


Figure 7-11 Paper pick-up feeder assembly (tray 3)

Table 7-15 Paper pickup feeder assembly (Tray 3)

Ref	Description	Part number	Qty
13	ROLLER, PAPER PICK-UP	RC1-5440-000CN	1

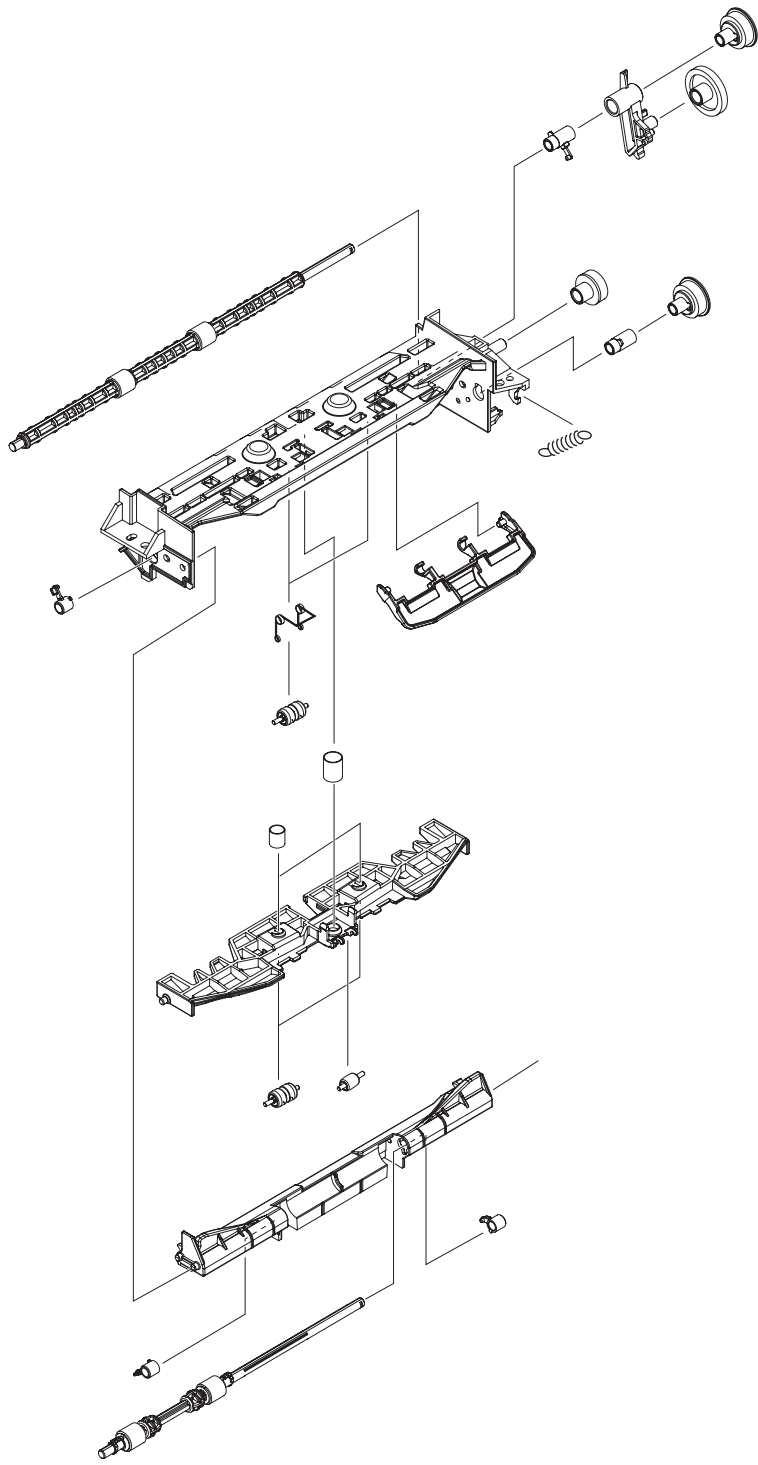


Figure 7-12 Face-up paper delivery assembly

Table 7-16 Face-up paper delivery assembly

Ref	Description	Part number	Qty
	FACE-UP PAPER DELIVERY ASSEMBLY	RM1-4312-000CN	

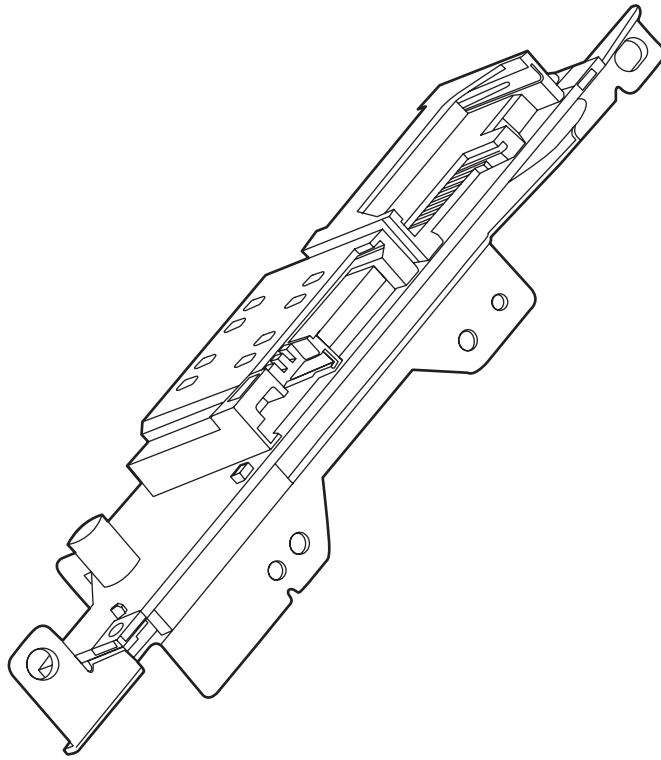


Figure 7-13 Memory-card reader assembly

Table 7-17 Memory-card reader assembly

Ref	Description	Part number	Qty
	MEMORY-CARD READER ASSEMBLY	Q7821-67901 (CM1017 only)	
	FLAT FLEX CABLE, MEMORY-CARD ASSEMBLY	CB394-60104	

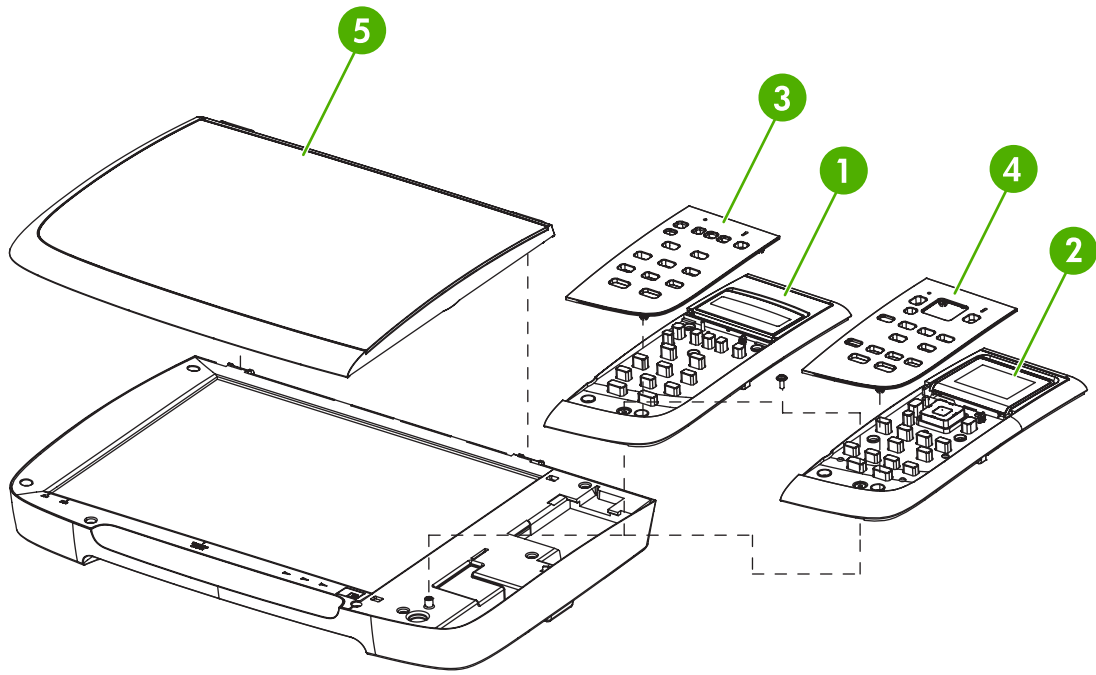


Figure 7-14 Scanner assembly

Table 7-18 Scanner assembly

Ref	Description	Part number	Qty
	SCANNER ASSEMBLY (CM1015)	CB394-67901	
	SCANNER ASSEMBLY (CM1017)	CB395-67901	
1	CONTROL-PANEL ASSEMBLY LCD (CM1015)	CB394-60101	1
2	CONTROL-PANEL ASSEMBLY GCD (CM1017)	CB395-60101	1
3	BEZEL, CONTROL PANEL LCD EN (CM1015)	CB394-40014	1
3	BEZEL, CONTROL PANEL LCD ES (CM1015)	CB394-40015	1
3	BEZEL, CONTROL PANEL LCD PT (CM1015)	CB394-40016	1
3	BEZEL, CONTROL PANEL LCD DE (CM1015)	CB394-40017	1
3	BEZEL, CONTROL PANEL LCD FR (CM1015)	CB394-40018	1
3	BEZEL, CONTROL PANEL LCD NL (CM1015)	CB394-40019	1
3	BEZEL, CONTROL PANEL LCD IT (CM1015)	CB394-40020	1
3	BEZEL, CONTROL PANEL LCD SV (CM1015)	CB394-40021	1
3	BEZEL, CONTROL PANEL LCD NO (CM1015)	CB394-40022	1
3	BEZEL, CONTROL PANEL LCD FI (CM1015)	CB394-40023	1
3	BEZEL, CONTROL PANEL LCD DA (CM1015)	CB394-40024	1
3	BEZEL, CONTROL PANEL LCD RU (CM1015)	CB394-40025	1
3	BEZEL, CONTROL PANEL LCD CS (CM1015)	CB394-40026	1
3	BEZEL, CONTROL PANEL LCD HU (CM1015)	CB394-40027	1
3	BEZEL, CONTROL PANEL LCD PL (CM1015)	CB394-40028	1
3	BEZEL, CONTROL PANEL LCD SK (CM1015)	CB394-40029	1
3	BEZEL, CONTROL PANEL LCD TR (CM1015)	CB394-40030	1
3	BEZEL, CONTROL PANEL LCD EL (CM1015)	CB394-40031	1
3	BEZEL, CONTROL PANEL LCD HE (CM1015)	CB394-40032	1
3	BEZEL, CONTROL PANEL LCD AR (CM1015)	CB394-40033	1
3	BEZEL, CONTROL PANEL LCD ZHTW (CM1015)	CB394-40034	1
3	BEZEL, CONTROL PANEL LCD KO (CM1015)	CB394-40035	1
3	BEZEL, CONTROL PANEL LCD ZHCN (CM1015)	CB394-40036	1
3	BEZEL, CONTROL PANEL LCD TH (CM1015)	CB394-40037	1
3	BEZEL, CONTROL PANEL LCD VI (CM1015)	CB394-40038	1
3	BEZEL, CONTROL PANEL GCD EN (CM1017)	CB395-40005	1
4	BEZEL, CONTROL PANEL GCD ES (CM1017)	CB395-40006	1
4	BEZEL, CONTROL PANEL GCD PT (CM1017)	CB395-40007	1
4	BEZEL, CONTROL PANEL GCD DE (CM1017)	CB395-40008	1
4	BEZEL, CONTROL PANEL GCD FR (CM1017)	CB395-40009	1

Ref	Description	Part number	Qty
4	BEZEL, CONTROL PANEL GCD NL (CM1017)	CB395-40010	1
4	BEZEL, CONTROL PANEL GCD IT (CM1017)	CB395-40011	1
4	BEZEL, CONTROL PANEL GCD SV (CM1017)	CB395-40012	1
4	BEZEL, CONTROL PANEL GCD NO (CM1017)	CB395-40013	1
4	BEZEL, CONTROL PANEL GCD FI (CM1017)	CB395-40014	1
4	BEZEL, CONTROL PANEL GCD DA (CM1017)	CB395-40015	1
4	BEZEL, CONTROL PANEL GCD RU (CM1017)	CB395-40016	1
4	BEZEL, CONTROL PANEL GCD CS (CM1017)	CB395-40017	1
4	BEZEL, CONTROL PANEL GCD HU (CM1017)	CB395-40018	1
4	BEZEL, CONTROL PANEL GCD PL (CM1017)	CB395-40019	1
4	BEZEL, CONTROL PANEL GCD SK (CM1017)	CB395-40020	1
4	BEZEL, CONTROL PANEL GCD TR (CM1017)	CB395-40021	1
4	BEZEL, CONTROL PANEL GCD EL (CM1017)	CB395-40022	1
4	BEZEL, CONTROL PANEL GCD HE (CM1017)	CB395-40023	1
4	BEZEL, CONTROL PANEL GCD AR (CM1017)	CB395-40024	1
4	BEZEL, CONTROL PANEL GCD ZHTW (CM1017)	CB395-40025	1
4	BEZEL, CONTROL PANEL GCD KO (CM1017)	CB395-40026	1
4	BEZEL, CONTROL PANEL GCD ZHCN (CM1017)	CB395-40027	1
4	BEZEL, CONTROL PANEL GCD TH (CM1017)	CB395-40028	1
4	BEZEL, CONTROL PANEL GCD VI (CM1017)	CB395-40029	1
5	SCANNER LID	CB394-60106	1