

7 Parts and diagrams

Chapter contents

- [Ordering parts and supplies](#)
- [Accessories](#)
- [Covers](#)
- [Internal assemblies](#)
- [Printed circuit assemblies \(PCAs\)](#)
- [Alphabetical parts list](#)
- [Numerical parts list](#)

Ordering parts and supplies

Parts

Order replacement parts from the following Web sites:

h30074.www3.hp.com/csn-aux/srvcdlvry/epdo/default/ePDOLogin.asp (technicians)

h20141.www2.hp.com/hpparts (customers)

Related documentation and software

Order documentation and software from the companies listed in the following table; some documentation and software are available at the following Web sites.

Table 7-1 Technical support Web sites

HP Customer Care Online	www.hp.com/support
Software drivers, support documentation, and answers to frequently asked questions	
HP Technical Training	education.itrc.hp.com/TrainerII/en-US/index.jsp
(North America)	
Classes and schedules	

Supplies

Device supplies are listed in [Table 3-1 Life expectancies of components](#). Consumables are available directly from HP at the following numbers.

- US: 800-538-8787
- Canada: 800-387-3154 (in Toronto: 416-671-8383)
- United Kingdom: 0734-441212
- Germany: 0130-3322

Contact your local HP Parts Coordinator for other local phone numbers.

Accessories

Accessories

Table 7-2 Accessories

Product name	Description	Product number	Part number	Exchange number
Print cartridges				
Print cartridge	Black print cartridge	Q3960A	Q3960-67901 Q3960-67902 (EMEA)	N/A
Print cartridge	Yellow print cartridge, 2k	Q3972A	Q3972-67901 Q3972-67902 (EMEA)	N/A
Print cartridge	Yellow print cartridge, 4k	Q3962A	Q3962-67901 Q3962-67902 (EMEA)	N/A
Print cartridge	Magenta print cartridge, 2k	Q3973A	Q3973-67901 Q3973-67902 (EMEA)	N/A
Print cartridge	Magenta print cartridge, 4k	Q3963A	Q3963-67901 Q3963-67902 (EMEA)	N/A
Print cartridge	Cyan print cartridge, 2k	Q3971A	Q3971-67901 Q3971-67902 (EMEA)	N/A
Print cartridge	Cyan print cartridge, 4k	Q3961A	Q3961-67901 Q3961-67902 (EMEA)	N/A
Imaging drums				
Imaging drum	Imaging drum	Q3964A	Q3964-67901	N/A
Trays and tray accessories				
Optional 250-sheet tray	1 optional 250-sheet tray	Q3709A	Q3709-67901	N/A
Tray 1 kit	1 pickup roller and 1 separation pad	C9706-67901	C9706-67901	N/A
Tray 1 kit with extra separation pads	1 pickup roller and 3 separation pads	C9706-67902	C9706-67902	N/A
Memory				
SDRAM DIMM	128 MB SDRAM DIMM	C9121A	C9121A	N/A
SDRAM DIMM	64 MB SDRAM DIMM	C9680A	C9680A	N/A
SDRAM DIMM	32 MB SDRAM DIMM	C7845A	C7845A	N/A
SDRAM DIMM	Firmware recovery DIMM	Q6482CA	Q6482CA	N/A
Cables				

Table 7-2 Accessories (continued)

Product name	Description	Product number	Part number	Exchange number
USB cable	USB cable (a-b), 2-meter	C6518A	C6518A	N/A
Accessory kits				
ADF assembly	ADF assembly, errata sheet	Q3948-60189	Q3948-60189	N/A
Scanner assembly	Scanner assembly	Q3948-60191	Q3948-60191	N/A
ADF cover replacement kit	ADF cover, cover hinge	Q3948-67901	Q3948-67901	N/A
Paper pick module replacement kit	Pickup roller assembly, screws	Q3948-67903	Q3948-67903	N/A
ADF pickup roller replacement kit	Separation pad, pickup roller, screws, errata sheet	Q3948-67904	Q3948-67904	N/A
ADF flag replacement kit	ADF input tray flag, ADF input flag spring	Q3948-67902	Q3948-67902	N/A
ADF hinge replacement kit	left hinge, right hinge, screws	Q3948-67905	Q3948-67905	N/A
ADF window replacement kit	ADF window, window frame, screws	Q3948-67906	Q3948-67906	N/A
Formatter copy exchange kit	Formatter cage, copy formatter PCA, screws, LIU cover plate	Q3948-69001	N/A	Q3948-69001
Formatter US LIU exchange kit	Formatter cage, Euro LIU PCA, fax formatter PCA, screws, LIU cable	Q3948-69002	N/A	Q3948-69002
Formatter Euro LIU exchange kit	Formatter cage, US LIU PCA, fax formatter PCA, screws, LIU cable	Q3948-69003	N/A	Q3948-69003
Engine paper pick roll/separation pad replacement kit	Separation pad, pickup roller, errata sheet	Q3948-67907	Q3948-67907	N/A
Photo card assembly kit	Memory card assembly (HP Color LaserJet 2840 all-in-one only)	Q3948-67908	Q3948-67908	N/A

Replacement kits

The table below shows replacement kits that are available from HP.

Table 7-3 Replacement kits

Kit—part number	Parts (quantity)	Part number
Right mount link kit—Q3948-67909	Spring, torsion (1)	RS6-2772-000CN
	Mount, right link (1)	RB3-1158-000CN
Screw kit—Q3948-67910	Screw, RS, M3X8 (10)	XA9-1291-000CN
	Screw, P, M3X8 (5)	XB4-5300-809CN
	E-ring (5)	XD2-1100-502CN
	Screw, RS, M3X10 (5)	XA9-1501-000CN
	Retaining ring (5)	XD2-1100-322CN
	Screw, S, M3X8 (5)	XA9-1500-000CN
	Screw, tapping, truss head, M4X10 (15)	XB4-7401-005CN
	Screw, RS, M3X6 (5)	XA9-0849-000CN
	Clamp, cable (5)	WT2-5700-000CN
	Screw, RS, M3X6 (5)	XA9-1495-000CN
	Screw, RS, M3X8 (5)	XA9-1449-000CN
	Screw, RS, M3X6 (10)	XA9-1495-010CN
	Screw, w/ washer, M3X6 (5)	XB2-4300-605CN
	Screw, S, M3X8 (5)	XA9-1500-010CN
Power switch kit—Q3948-67911	Spring, compression (1)	RS6-2771-000CN
	Rod, power button (1)	RB3-1145-000CN
	Mount, power button rod (1)	RB3-1146-000CN
Multipurpose pickup roller kit—Q3948-67912	Pad, paper separation (1)	RF5-4012-000CN
	Roller, multipurpose paper pickup (1)	RB3-0160-000CN
Front frame gear kit—Q3948-67913	Gear, 20T/40T (1)	RS7-0424-000CN
	Gear, 26T (1)	RS7-0429-000CN0
	Bushing (1)	RS5-1635-000CN
	Gear assembly (1)	RG5-6938-000CN
Upper multipurpose cover kit—Q3948-67914	Cover, multipurpose, upper (1)	RB3-1134-000CN
	Label, image cartridge (1)	RS6-8687-000CN
Fan duct kit—Q3948-67915	Duct fan (1)	RB9-0901-000CN
	Label, high voltage (1)	RS6-8668-000CN
Output gear kit—Q3948-67916	Gear, 32T/37T (1)	RS7-0435-000CN
	Gear, 37T/43T (1)	RS7-0436-000CN

Table 7-3 Replacement kits (continued)

Kit—part number	Parts (quantity)	Part number
	Gear, 51T (1)	RS7-0437-000CN
Upper face down roller kit— Q3948-67917	Spring, torsion (2)	RB2-9905-000CN
	Roller, face-down, upper (2)	RF5-4068-000CN
Feed belt kit—Q3948-67918	Belt, timing (1)	RB1-8668-030CN
	Pulley (2)	RB3-0061-000CN
	Belt, paper feed (8)	RB3-0063-000CN
	Pulley (2)	RB3-0067-000CN
Feed shaft kit—Q3948-67919	Shaft, feed drive (1)	RB3-0011-000CN
	Roller, SM belt (1)	RB3-0012-000CN
	Shaft, idler gear (1)	RB3-0060-000CN
	Gear, 23T (1)	RB3-0022-000CN
	Spring, torsion (1)	RB2-9999-000CN
Transfer roll kit—Q3948-67920	Plate, transfer (2)	RB3-0057-000CN
	Roller, transfer (1)	RF5-4067-000CN
	Bushing (1)	RB3-1094-000CN
	Spring, compression (1)	RB3-0015-000CN
	Spring, compression (1)	RB3-1092-000CN
250-sheet pickup roller kit— Q3948-67921	Roller (2)	RB2-2892-000CN
	Roller, paper pickup (1)	RB3-0161-000CN
	Separation pad assembly (1)	RF5-4258-000CN
	Spring, compression (1)	RS6-2769-000CN
Lower face-down roller kit— Q3948-67922	Spring, torsion (2)	RB3-1065-000CN
	Roller, face-down (2)	RB2-9909-000CN

Automatic document feeder and scanner assembly

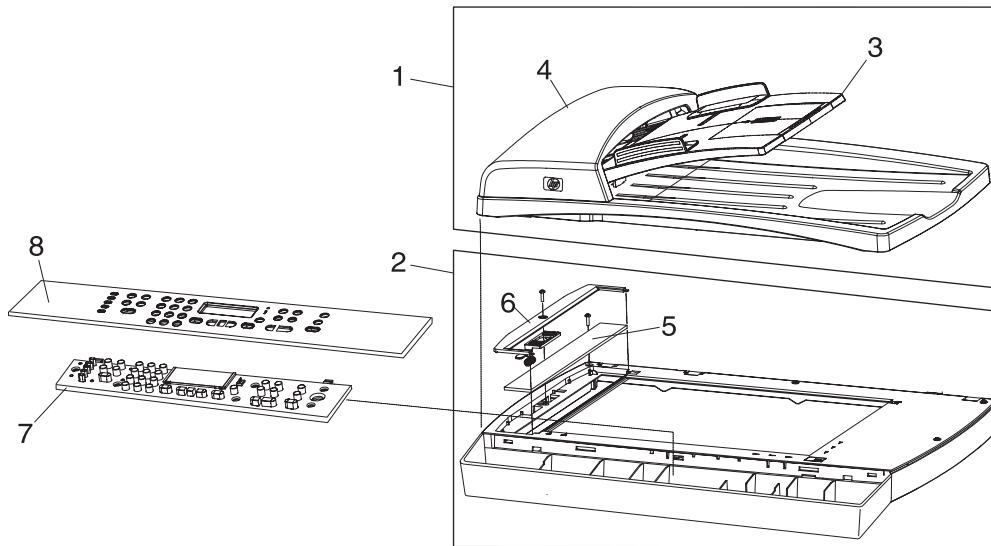


Figure 7-1 ADF and scanner assembly

Table 7-4 ADF and scanner assembly

Ref	Description	Part number	Qty
1	ADF assembly	Q3948-60189CN	1
2	Scanning assembly	Q3948-60191CN	1
3	ADF input tray	Q3948-60145CN	1
Not pictured	ADF separation pad	Q2665-60125CN	1
Not pictured	ADF pickup roller	Q3948-60140CN	1
Not pictured	ADF cleanout part	C7309-40153CN	1
Not pictured	ADF input-tray flag	C7309-40013CN	1
Not pictured	ADF input-tray spring	C7309-80013CN	1
4	ADF cover	Q3948-40007CN	1
5	ADF scanning window	C7296-00014CN	1
6	ADF scanning window frame	Q1636-40037CN	1
7	Control panel, copy (HP Color LaserJet 2820 all-in-one)	Q3948-60111CN	1
7	Control panel, fax (HP Color LaserJet 2830 all-in-one and HP Color LaserJet 2840 all-in-one)	Q3949-60134CN	1
8	Control-panel bezel, copy, English	Q3948-60136CN	1
8	Control-panel bezel, fax, English	Q3950-60101CN	1
8	Control-panel bezel, copy, French	Q3948-60149CN	1
8	Control-panel bezel, fax, French	Q3950-60105CN	1
8	Control-panel bezel, copy, German	Q3948-60148CN	1
8	Control-panel bezel, fax, German	Q3950-60104CN	1
8	Control-panel bezel, copy, Italian	Q3948-60151CN	1
8	Control-panel bezel, fax, Italian	Q3950-60107CN	1
8	Control-panel bezel, copy, Spanish	Q3948-60146CN	1
8	Control-panel bezel, fax, Spanish	Q3950-60102CN	1
8	Control-panel bezel, copy, Arabic	Q3948-60164CN	1
8	Control-panel bezel, fax, Arabic	Q3950-60120CN	1
8	Control-panel bezel, copy, Danish	Q3948-60155CN	1
8	Control-panel bezel, fax, Danish	Q3950-60111CN	1
8	Control-panel bezel, copy, Dutch	Q3948-60150CN	1
8	Control-panel bezel, fax, Dutch	Q3950-60106CN	1
8	Control-panel bezel, copy, Finnish	Q3948-60154CN	1
8	Control-panel bezel, fax, Finnish	Q3950-60110CN	1

Ref	Description	Part number	Qty
8	Control-panel bezel, copy, Hebrew	Q3948-60163CN	1
8	Control-panel bezel, fax, Hebrew	Q3950-60119CN	1
8	Control-panel bezel, copy, Norwegian	Q3948-60153CN	1
8	Control-panel bezel, fax, Norwegian	Q3950-60109CN	1
8	Control-panel bezel, copy, Portuguese	Q3948-60147CN	1
8	Control-panel bezel, fax, Portuguese	Q3950-60103CN	1
8	Control-panel bezel, copy, Swedish	Q3950-60108CN	1
8	Control-panel bezel, fax, Swedish	Q3948-60152CN	1
8	Control-panel bezel, copy, Czech	Q3948-60157CN	1
8	Control-panel bezel, fax, Czech	Q3950-60113CN	1
8	Control-panel bezel, copy, Hungarian	Q3948-60158CN	1
8	Control-panel bezel, fax, Hungarian	Q3950-60114CN	1
8	Control-panel bezel, copy, Polish	Q3948-60159CN	1
8	Control-panel bezel, fax, Polish	Q3950-60115CN	1
8	Control-panel bezel, copy, Russian	Q3948-60156CN	1
8	Control-panel bezel, fax, Russian	Q3950-60112CN	1
8	Control-panel bezel, copy, Slovak	Q3948-60160CN	1
8	Control-panel bezel, fax, Slovak	Q3950-60116CN	1
8	Control-panel bezel, copy, Turkish	Q3948-60161CN	1
8	Control-panel bezel, fax, Turkish	Q3950-60117CN	1
8	Control-panel bezel, copy, Korean	Q3948-60166CN	1
8	Control-panel bezel, fax, Korean	Q3950-60122CN	1
8	Control-panel bezel, copy, simplified Chinese	Q3948-60167CN	1
8	Control-panel bezel, fax, simplified Chinese	Q3950-60123CN	1
8	Control-panel bezel, copy, traditional Chinese	Q3948-60165CN	1
8	Control-panel bezel, fax, traditional Chinese	Q3950-60121CN	1
8	Control-panel bezel, copy, Thai	Q3948-60168CN	1
8	Control-panel bezel, fax, Thai	Q3950-60124CN	1
8	Control-panel bezel, copy, Vietnamese	Q3948-60169CN	1
8	Control-panel bezel, fax, Vietnamese	Q3950-60125CN	1

Assembly locations (1 of 2)

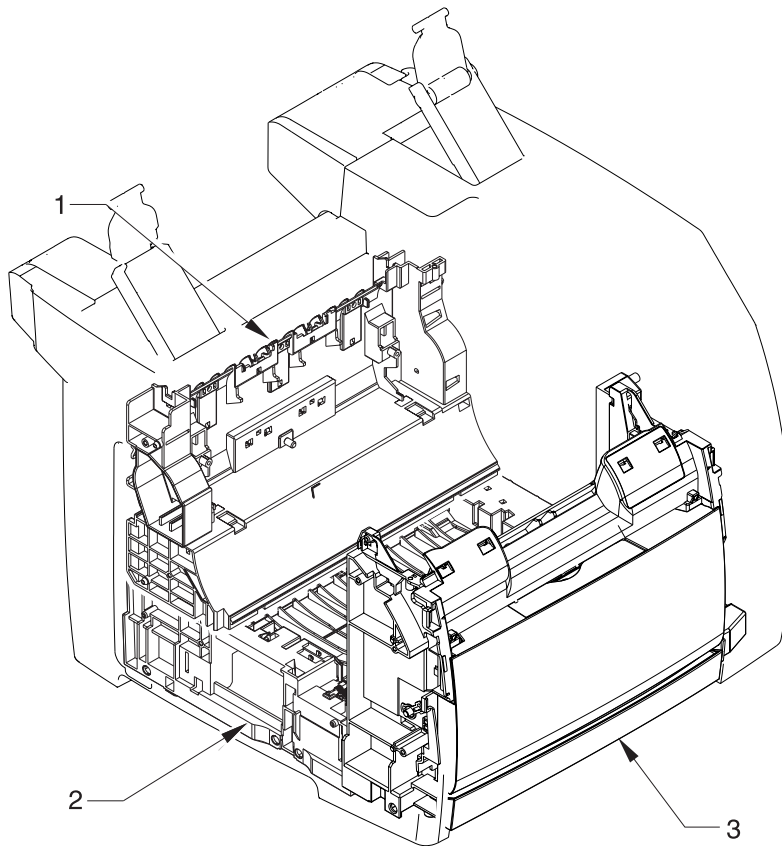


Figure 7-2 Assembly locations (1 of 2)

Table 7-5

Ref	Description	Part number	Qty
1	Rear frame assembly	See Covers	1
2	Middle frame assembly	See Middle frame assembly	1
3	Front frame assembly	See Front frame assembly	1

Assembly locations (2 of 2)

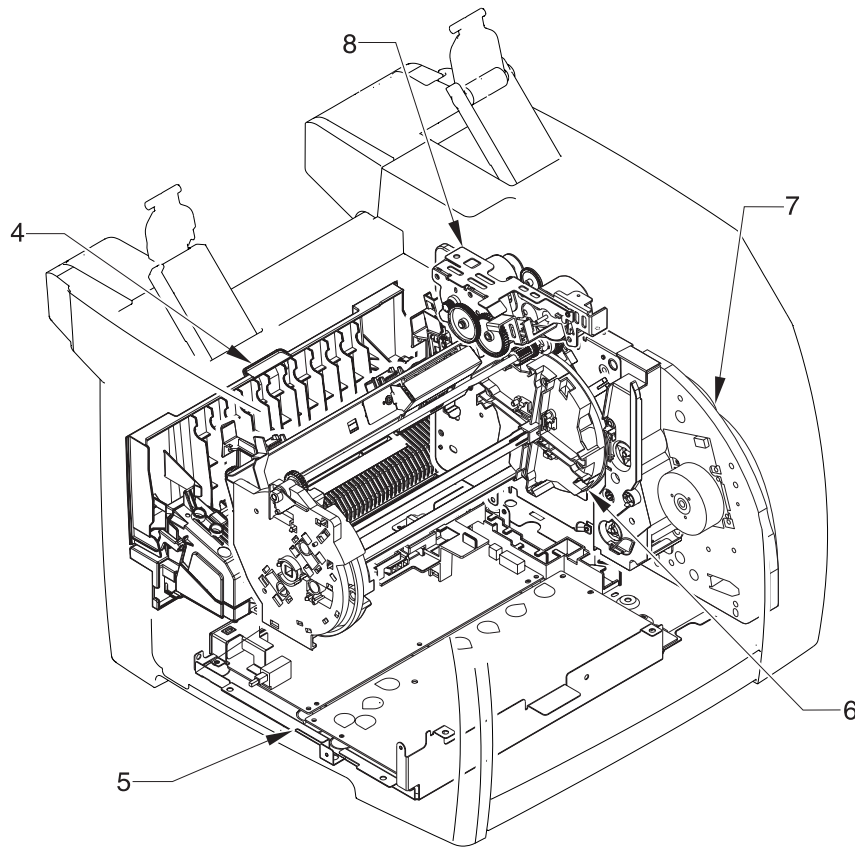


Figure 7-3 Assembly locations (2 of 2)

Table 7-6 Assembly locations (2 of 2)

Ref	Description	Part number	Qty
4	Fuser, 110-127 V	RG5-7602-000CN	1
4	Fuser, 220-240 V	RG5-7603-000CN	1
1	Power-supply base assembly	See Power-supply base assembly	1
1	Rotary assembly	RG5-7587-000CN	1
1	Main drive assembly	RG5-7579-000CN	1
1	Rotary drive assembly	RG5-7592-000CN	1

Covers

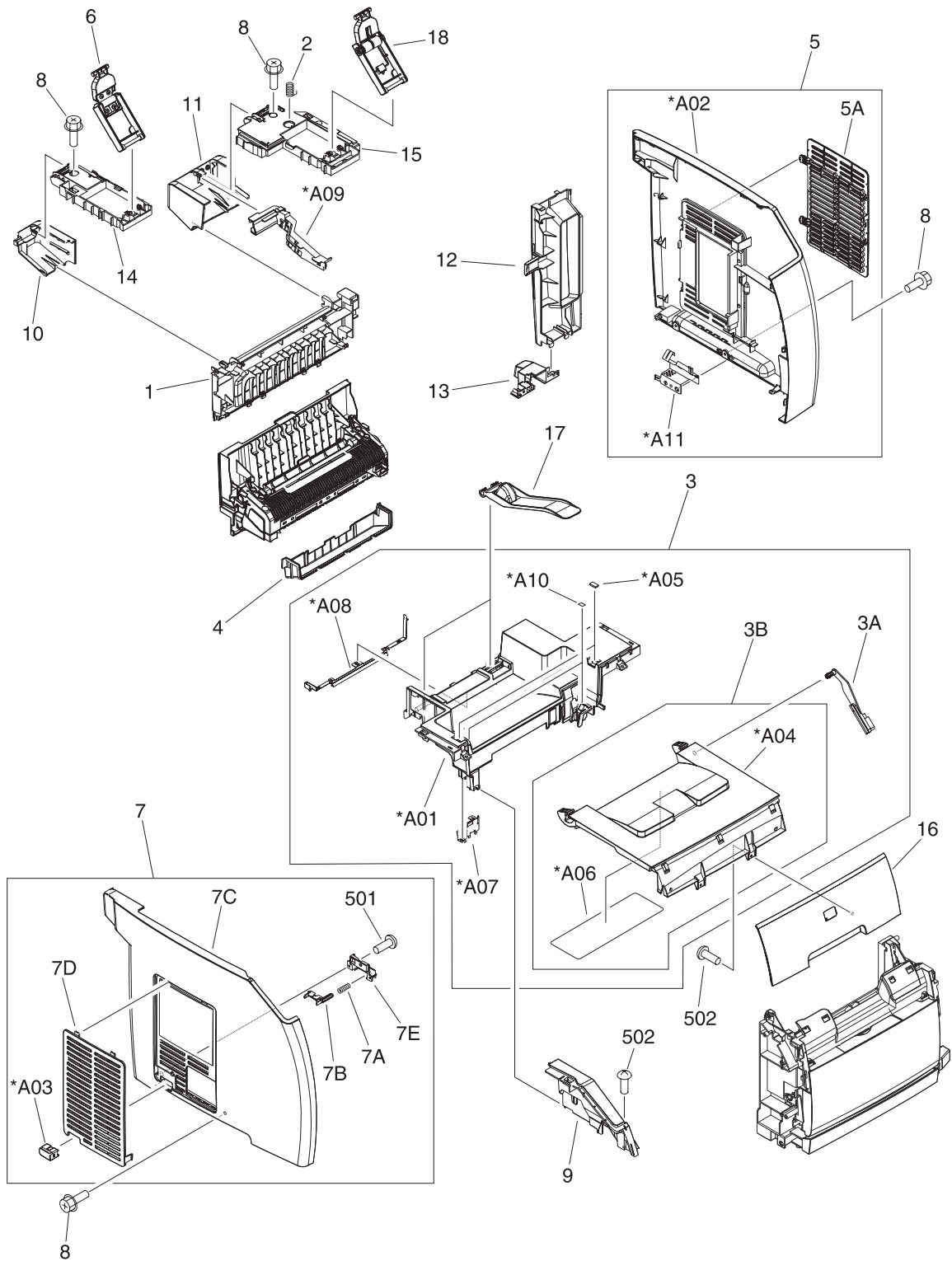


Figure 7-4 Covers

Table 7-7 Covers

Ref	Description	Part number	Qty
1	Cover, rear	RB3-1130-000CN	1
2	Spring, torsion	RS6-2772-000CN	1
3	Cover, top (assembly)	RG5-7597-000CN	1
3A	Cover, rack	RB3-0089-030CN	1
3B	Cover, cartridge	RF5-4055-000CN	1
4	Cover, face-down	RB3-1136-000CN	1
5	Right cover assembly	RG5-7599-000CN	1
5A	Cover, memory	RB3-1138-000CN	1
6	Link unit, left	RG5-7645-000CN	1
7	Left cover assembly	RG5-7598-000CN	1
7A	Spring, compression	RS6-2771-000CN	1
7B	Rod, power button	RB3-1145-000CN	1
7C	Cover, left	RB3-1128-000CN	1
7D	Cover, vent	RB3-1139-000CN	1
7E	Mount, power button rod	RB3-1146-000CN	1
8	Screw, RS, M3x8	XA9-1291-000CN	7
9	Cover, left upper	RB3-1126-000CN	1
10	Cover, left rear	RB3-1131-000CN	1
11	Cover, right rear	RB3-1132-000CN	1
12	Cover, I/O	RB3-1137-000CN	1
13	Foot, fall prevention	RB3-1147-000CN	1
14	Mount, left link	RB3-1154-000CN	1
15	Mount, right link	RB3-1158-000CN	1
16	Cover, front	RB3-1125-000CN	1
17	Arm, face-down	RB3-1083-000CN	2
18	Link unit, right	RG5-7630-000CN	1
501	Screw, P, M3x8	XB4-5300-809CN	2
502	Screw, tapping, truss head, M4X10	XB4-7401-005CN	2
A01	Cover, top		
A02	Cover, right		
A03	Button, power		
A04	Cover, cartridge		
A05	Sheet, noise-proof rubber		
A06	Label, I/O operation		

Ref	Description	Part number	Qty
A07	Plate, interlock switch shield		
A08	Plate, static eliminator		
A09	Guide, cable		
A10	Label, CRG		
A11	Plate, formatter grounding		

Internal assemblies

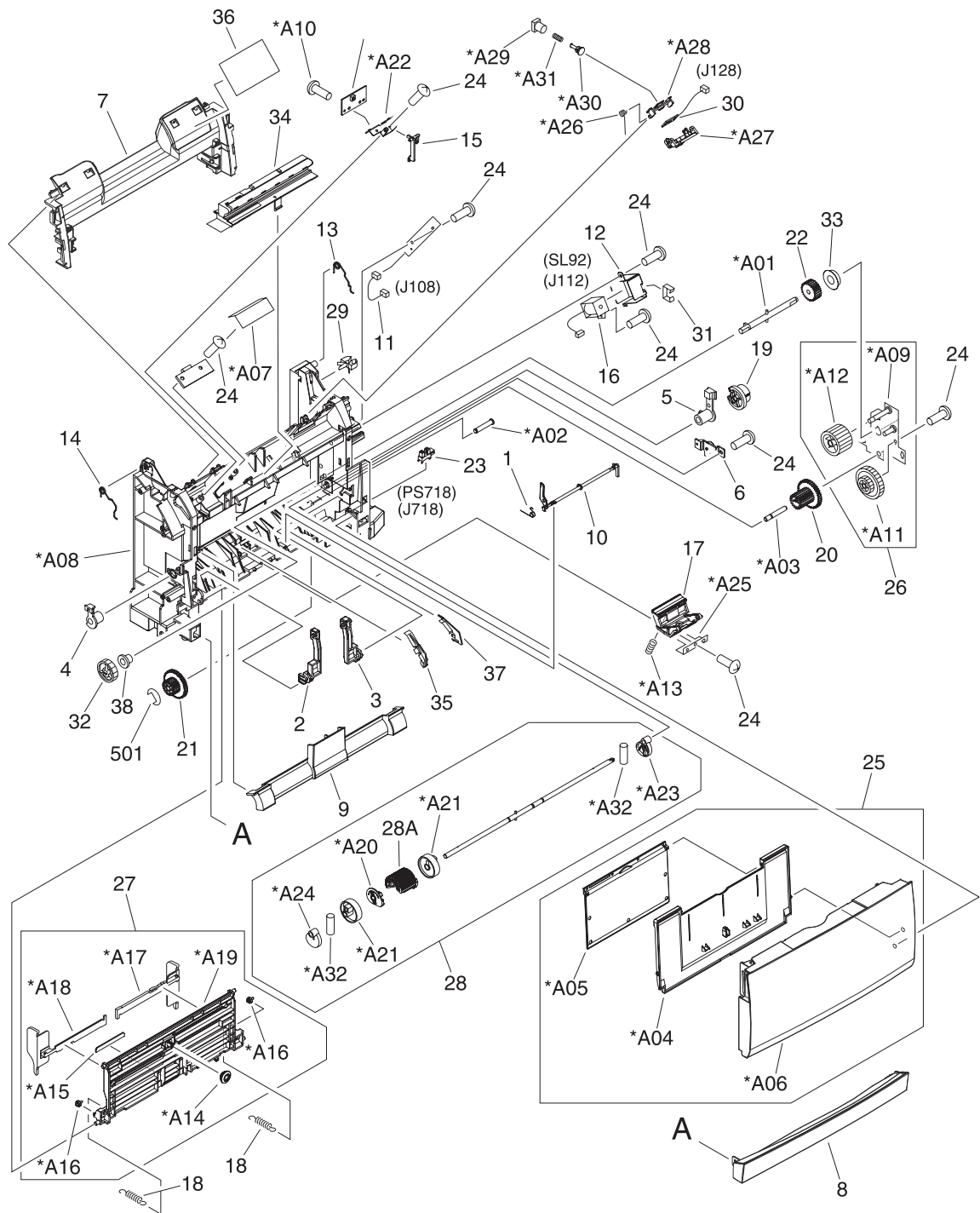


Figure 7-5 Front frame assembly

Table 7-8 Front frame assembly

Ref	Description	Part number	Qty
1	Spring, torsion	RB2-9952-000CN	1
2	Hinge, multipurpose, right	RB9-0890-000CN	1
3	Hinge, multipurpose, left	RB9-0889-000CN	1
4	Bushing, left	RB2-3043-000CN	1
5	Bushing, right	RB2-3044-000CN	1
6	Damper assembly	RB2-6248-000CN	1
7	Cover, multipurpose, upper	RB3-1134-000CN	1
8	Cover, multipurpose, lower	RB3-1135-000CN	1
9	Cover, multipurpose, roller	RB3-0104-000CN	1
10	Flag, multipurpose sensor	RB3-0111-000CN	1
11	Cable, waste toner	RG5-7624-000CN	1
12	Cover, MP. gauss blocking	RB3-0120-000CN	1
13	Spring, torsion	RB3-0121-000CN	1
14	Spring, torsion	RB3-0122-000CN	1
15	Flag, test print switch	RB3-0135-000CN	1
16	Solenoid	RH7-5383-000CN	1
17	Pad, paper separation	RF5-4012-000CN	1
18	Spring, tension	RS6-2030-000CN	2
19	Gear, 26T	RS7-0418-000CN	1
20	Gear, 20T/40T	RS7-0424-000CN	1
21	Gear, 26T/50T	RS7-0426-000CN	1
22	Gear, 26T	RS7-0429-000CN	1
23	Photo interrupter TLP1242	WG8-5593-000CN	1
24	Screw, tapping, truss head, M4X10	XB4-7401-005CN	11
25	Multipurpose cover assembly	RG5-7601-000CN	1
26	Gear assembly	RG5-6938-000CN	1
27	Multipurpose inner plate assembly	RG5-7584-000CN	1
28	Multipurpose paper pickup roller assembly	RG5-6952-000CN	1
28A	Roller, multipurpose paper pickup	RB3-0160-000CN	1
29	Clamp, cable	WT2-5700-000CN	2
30	Tag contact PCA	RG5-7131-000CN	1
31	Clip, cable	WT2-5056-000CN	1
32	Gear, 30T	RS7-0425-000CN	1
33	Bushing	RS5-1635-000CN	1

Ref	Description	Part number	Qty
34	Pad, light-blocking	RF5-4047-000CN	1
35	Guide, paper feed, left	RB2-9954-000CN	1
36	Label, image cartridge	RS6-8687-000CN	1
37	Guide, paper feed, right	RB2-9955-000CN	1
38	Bushing	RS5-1638-000CN	1
501	Ring, E	XD2-1100-502CN	1
A01	Shaft, paper pickup clutch gear		
A02	Shaft		
A03	Shaft		
A04	Tray, expansion, 1		
A05	Tray, expansion, 2		
A06	Cover, multipurpose		
A07	Sheet, dust-proof		
A08	Frame, front		
A09	Holder, gear		
A10	Screw, TP, M3X6		
A11	Gear, 20T/40T		
A12	Gear, 31T		
A13	Spring, compression		
A14	Gear, 18T		
A15	Sheet, separation		
A16	Roller		
A17	Rack, slide, right		
A18	Rack, slide, left		
A19	Plate, multipurpose inner		
A20	Cam, roller		
A21	Roller		
A22	Holder, top sensor PCA		
A23	Cam, multipurpose, right		
A24	Cam, multipurpose, left		
A25	Holder, separation pad		
A26	Spring, torsion		
A27	Holder, tag contact		
A28	Holder, tag		
A29	Support, tag pin		

Ref	Description	Part number	Qty
A30	Pin, tag		
A31	Spring, compression		
A32	Pin, dowel		

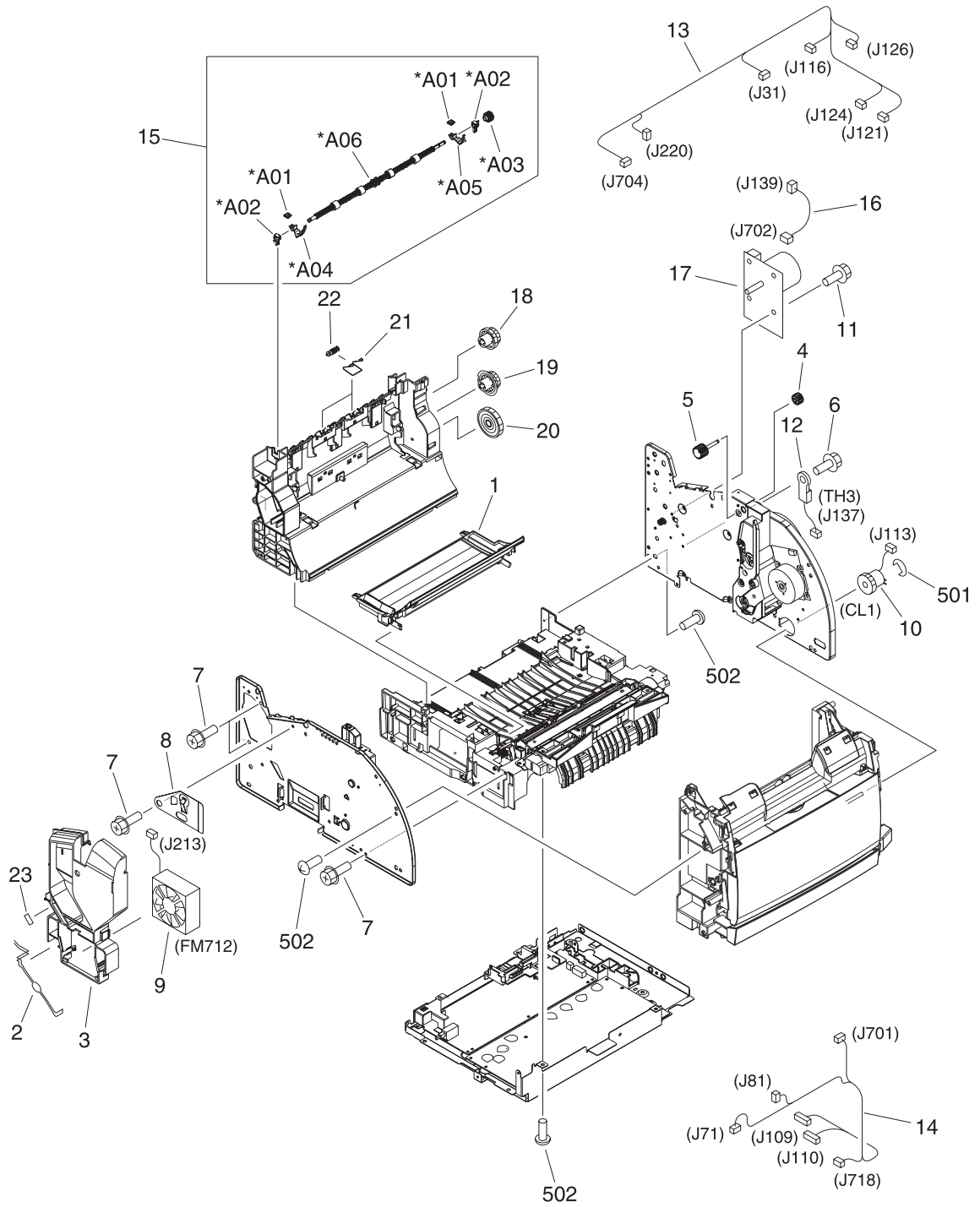


Figure 7-6 Internal components (1 of 2)

Table 7-9 Internal components (1 of 2)

Ref	Description	Part number	Qty
1	Tray, toner	RB3-0019-000CN	1
2	Guard, fan shield	RB2-9932-000CN	1
3	Duct, fan	RB9-0901-000CN	1
4	Gear, 18T	RB3-0091-000CN	1
5	Gear, 15T	RB3-0092-000CN	1
6	Screw, RS, M3x8	XA9-1449-000CN	1
7	Screw, RS, M3x6	XA9-1495-000CN	5
8	Plate, swing shaft grounding	RB3-1113-000CN	1
9	Fan	RH7-1630-000CN	1
10	Clutch, electromagnetic	RH7-5389-000CN	1
11	Screw, RS, M3x10	XA9-1501-000CN	4
12	Sleeve thermistor unit	RH7-7159-000CN	1
13	Cable, upper	RG5-7160-000CN	1
14	Cable, front frame	RG5-7145-000CN	1
15	Upper face-down roller assembly,	RG5-7637-000CN	1
16	Cable, fuser motor	RG5-7620-000CN	1
17	Motor, DC	RH7-1628-000CN	1
18	Gear, 32T/37T	RS7-0435-000CN	1
19	Gear, 37T/43T	RS7-0436-000CN	1
20	Gear, 51T	RS7-0437-000CN	1
21	Spring, torsion	RB2-9905-000CN	2
22	Roller, face-down, upper	RF5-4068-000CN	2
23	Label, high voltage caution	RS6-8668-000CN	1
501	E-ring	XD2-1100-322CN	1
502	Screw, tapping, truss head, M4x10	XB4-7401-005CN	31
A01	Plate, rating		
A02	Bushing		
A03	Gear, 17T		
A04	Holder, forming left		
A05	Holder, forming right		
A06	Roller, face-down, upper		

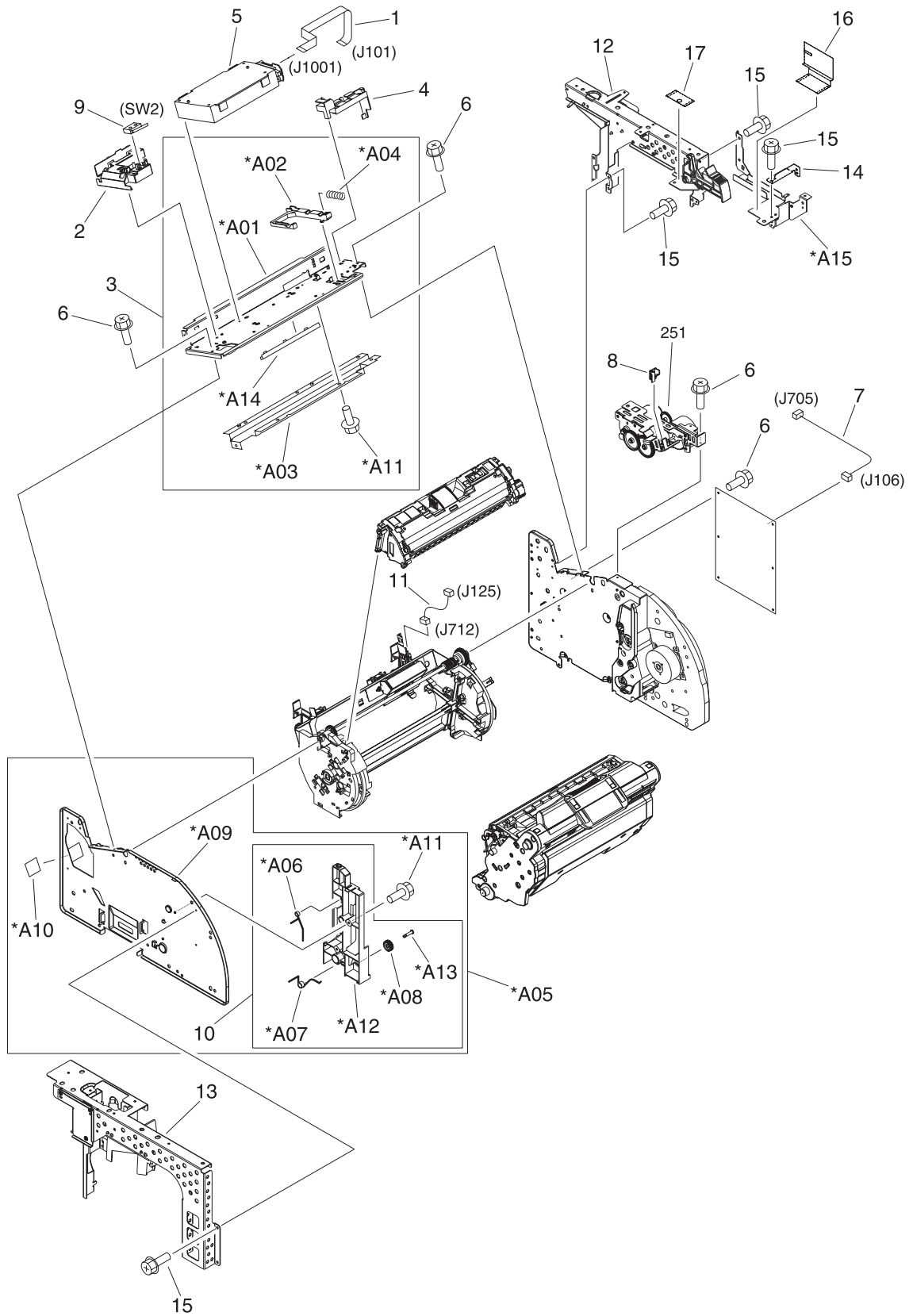


Figure 7-7 Internal components (2 of 2)

Table 7-10 Internal components (2 of 2)

Ref	Description	Part number	Qty
1	Flat cable, laser	RH2-5524-000CN	1
2	Holder, interlock switch	RB3-0023-000CN	1
3	Scanner crossmember assembly	RG5-6907-000CN	1
4	Cable guide	RB2-9903-000CN	1
5	Laser/scanner	RG5-6890-000CN	1
6	Screw, RS, M3x6	XA9-0849-000CN	18
7	Cable, motor	RG5-7114-000CN	1
8	Guide, rotary release	RB2-9852-000CN	1
9	Microswitch	RH7-6051-000CN	1
10	Left cartridge guide assembly	RG5-6935-000CN	1
11	Cable, sensor	RG5-7117-000CN	1
12	Right support assembly	RG5-7631-000CN	1
13	Left support assembly	RG5-7632-000CN	1
14	Plate, photo card crossmember	RB2-9976-000CN	1
15	Screw, RS, M3x6	XA9-1495-000CN	15
16	Sheet, protective, A	RB3-1379-000CN	1
17	Sheet, protective, B	RB3-1380-000CN	1
A01	Crossmember, scanner		
A02	Arm, shutter		
A03	Crossmember, beam		
A04	Spring, compression		
A05	Left side plate assembly		
A06	Spring, torsion		
A07	Spring, torsion		
A08	Gear, 34T		
A09	Side plate, left		
A10	Sheet		
A11	Screw, RS, M3X6		
A12	Guide, left cartridge		
A13	Shaft, gear		
A14	Cover, edge		
A15	Plate, photo card mounting		

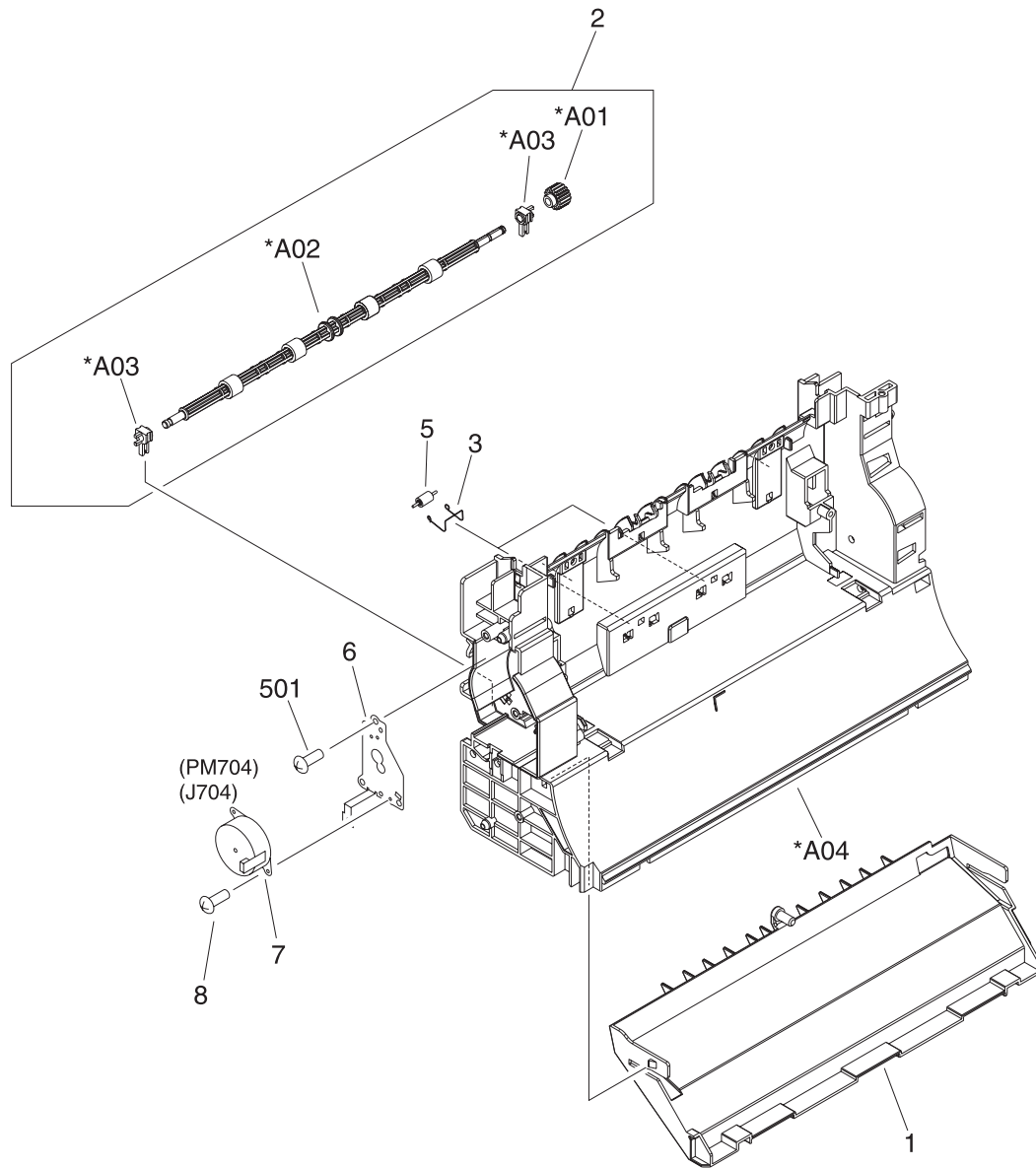


Figure 7-8 Rear frame assembly

Table 7-11 Rear frame assembly

Ref	Description	Part number	Qty
1	Duct, fuser	RB2-9904-000CN	1
2	Lower face-down roller assembly	RG5-7595-000CN	1
3	Spring, torsion	RB3-1065-000CN	2
4	Screw, RS, M3x6	XA9-0849-000CN	2
5	Roller, face-down, lower	RB2-9909-000CN	2
6	Cover, pressure motor	RB2-9916-000CN	1
7	Motor, DC, 24 V	RH7-1629-000CN	1
501	Screw, tapping, truss head, M4x10	XB4-7401-005CN	3
A01	Gear, 17T		
A02	Roller, face-down		
A03	Bushing		
A04	Frame, rear		

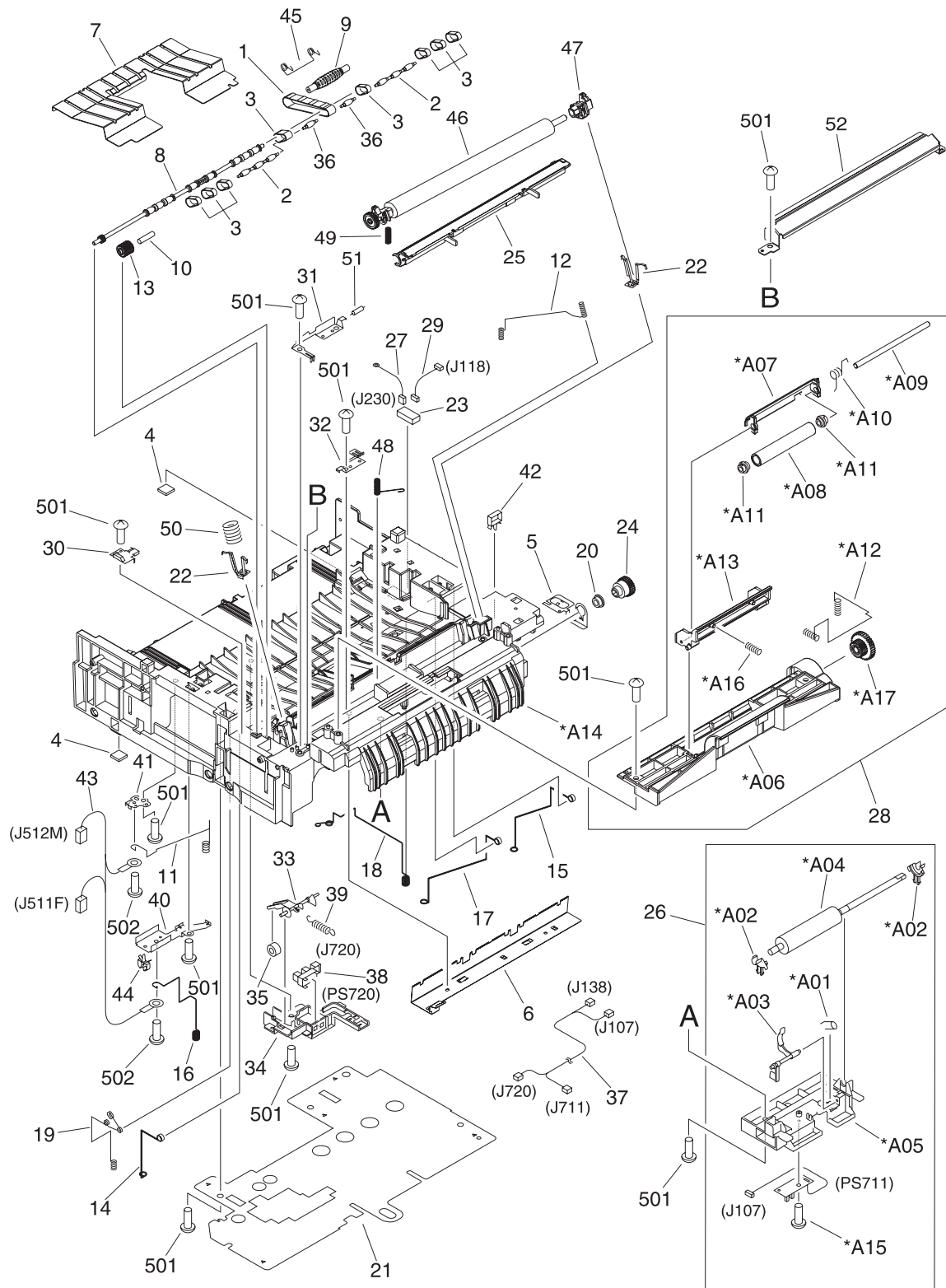


Figure 7-9 Middle frame assembly

Table 7-12 Middle frame assembly

Ref	Description	Part number	Qty
1	Timing belt	RB1-8668-030CN	1
2	Pulley	RB3-0061-000CN	2
3	Paper feed belt	RB3-0063-000CN	8
4	Rubber foot	RB2-6297-000CN	2
5	Roller grounding plate	RB3-0286-000CN	1
6	Static charge eliminator plate	RB3-0009-000CN	1
7	Paper feed plate	RB3-0010-000CN	1
8	Shaft, feed drive	RB3-0011-000CN	1
9	Roller, belt	RB3-0012-000CN	1
10	Shaft, idler gear	RB3-0060-000CN	1
11	Spring, torsion	RB3-0045-000CN	1
12	Spring, torsion	RB3-0016-000CN	1
13	Gear, 23T	RB3-0022-000CN	1
14	Spring, torsion	RB3-0042-000CN	1
15	Spring, torsion	RB3-0043-000CN	1
16	Spring, torsion	RB3-0044-000CN	1
17	Spring, torsion	RB3-0046-000CN	1
18	Spring, torsion	RB3-0047-000CN	1
19	Spring, torsion	RB3-0048-000CN	1
20	Bushing	RS5-1637-000CN	1
21	Insulating sheet	RB3-1110-000CN	1
22	Transfer slide plate	RB3-0057-000CN	2
23	Drawer connector	WS1-6336-000CN	1
24	Gear, 30T	RS7-0428-000CN	1
25	Entrance guide assembly	RF5-4065-000CN	1
26	Registration roller assembly	RG5-6939-000CN	1
27	Cable, grounding	RG5-7123-000CN	1
28	Registration shutter assembly	RG5-6940-000CN	1
29	Cable, interface	RG5-7122-000CN	1
30	Cover, gear	RB3-0052-000CN	1
31	Grounding spring	RB3-0065-000CN	1
32	Grounding spring	RB3-0066-000CN	1
33	Sensor flag arm	RB2-9925-000CN	1
34	Holder, transfer sensor	RB2-9924-000CN	1

Ref	Description	Part number	Qty
35	Roller, transfer sensor	RB2-7195-000CN	1
36	Pulley	RB3-0067-000CN	2
37	Paper sensor cable	RG5-7128-000CN	1
38	Photo interrupter TLP1242	WG8-5593-000CN	1
39	Spring, tension	RS6-2766-000CN	1
40	Mount, terminal	RB2-9850-000CN	1
41	Mount, antenna contact	RB2-9851-000CN	1
42	Clip, cable	WT2-5610-000CN	2
43	Cable, high-voltage transformer	RG5-7130-000CN	1
44	Clamp, cable	WT2-5700-000CN	1
45	Spring, torsion	RB2-9999-000CN	1
46	Roller, transfer	RF5-4067-000CN	1
47	Bushing	RB3-1094-000CN	1
48	Spring, compression	RB3-1091-000CN	1
49	Spring, compression	RB3-1092-000CN	1
50	Spring, compression	RB3-0015-000CN	1
51	Resistor, 500MOHM, 0.3W	RH5-3169-000CN	1
52	Guide, transfer inlet	RB3-1088-000CN	1
501	Screw, tapping, truss head, M4x10	XB4-7401-005CN	13
502	Screw, w/washer, M3x6	XB2-4300-605CN	2
A01	Spring, torsion		
A02	Bushing		
A03	Flag, registration-sensor		
A04	Registration roller		
A05	Registration holder		
A06	Registration front guide		
A07	Registration shutter		
A08	Registration roller		
A09	Registration roller shaft		
A10	Spring, torsion		
A11	Bushing		
A12	Spring, compression		
A13	Registration pressure arm		
A14	Middle frame		
A15	Screw, B, M3x8		

Ref	Description	Part number	Qty
A16	Spring, compression		
A17	Gear, 26T/34T		

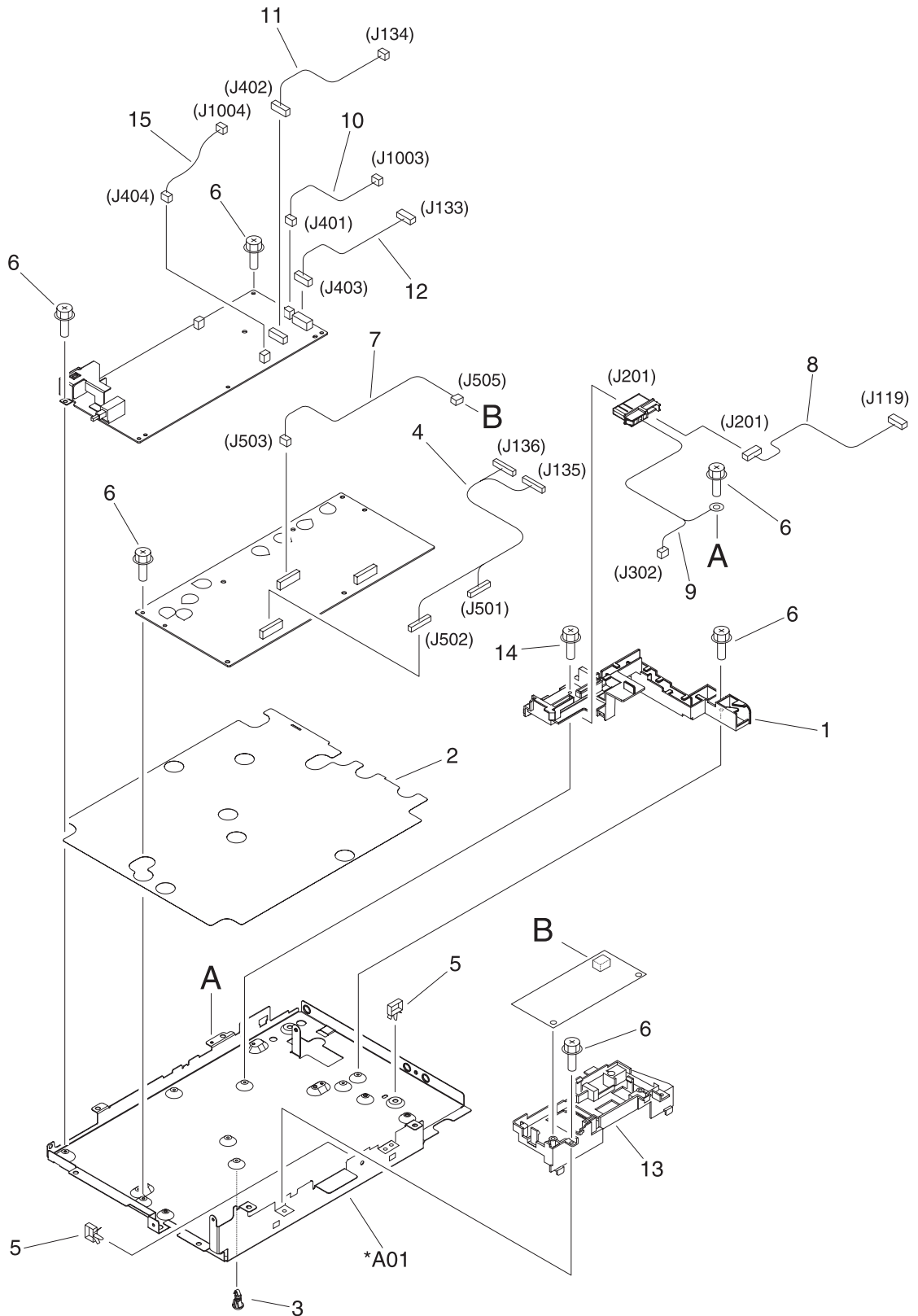


Figure 7-10 Power-supply base assembly

Table 7-13 Power-supply base assembly

Ref	Description	Part number	Qty
1	Holder, fuser connector	RB3-0006-000CN	1
2	Insulating sheet	RB3-0007-000CN	1
3	Support, high-voltage PCA	VT2-0012-005CN	6
4	Cable, high-voltage transformer	RG5-7146-000CN	1
5	Clip, cable	WT2-5737-000CN	2
6	Screw, RS, M3x8	XA9-1449-000CN	9
7	Cable, sub-high-voltage transformer	RG5-7126-000CN	1
8	Cable, fuser connector, DC controller	RG5-7109-000CN	1
9	Cable, fuser, power	RG5-7161-000CN	1
10	Cable, video interface, power	RG5-7106-000CN	1
11	Cable, power (1)	RG5-7621-000CN	1
12	Cable, power (2)	RG5-7108-000CN	1
13	Holder, high-voltage	RB3-0062-000CN	1
14	Screw, S, M3x8	XA9-1500-000CN	4
15	Cable, formatter	RG5-7156-000CN	1
A01	Crossmember, power supply base		

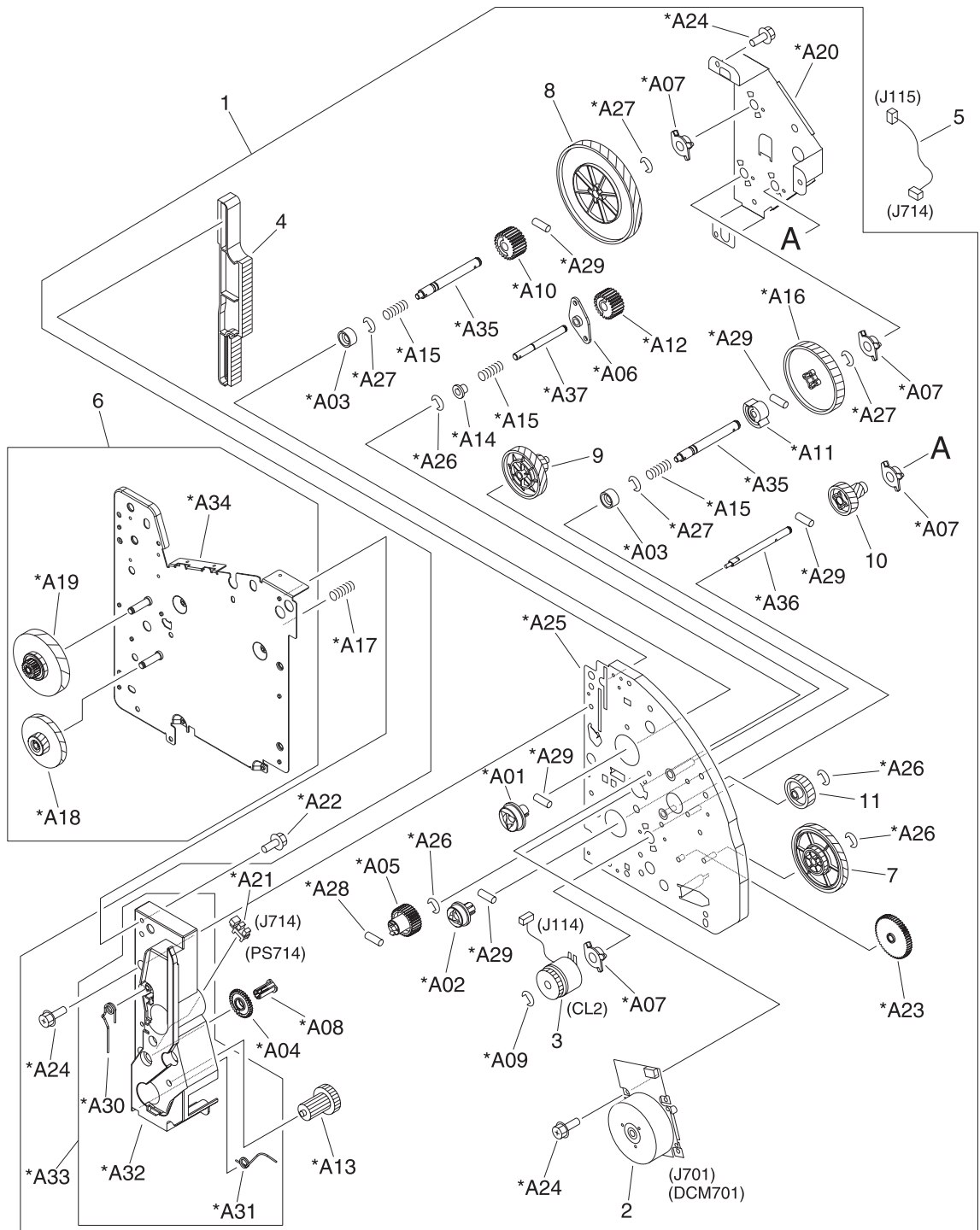


Figure 7-11 Main drive assembly

Table 7-14 Main drive assembly

Ref	Description	Part number	Qty
	Main drive assembly	RG5-7579-000CN	1
1	Right side plate front assembly	RG5-7581-000CN	1
2	Motor unit	RF5-4063-000CN	1
3	Clutch, electromagnetic	RH7-5335-000CN	1
4	Rack	RB3-0090-000CN	1
5	Cable, second, transfer sensor	RG5-7115-000CN	1
6	Right side plate rear assembly	RG5-7580-000CN	1
7	Gear, 32T/123T	RS7-0574-000CN	1
8	Gear, 186T	RS7-0573-000CN	1
9	Gear, 31T/90T	RS7-0572-000CN	1
10	Gear, 23T/54T	RS7-0571-000CN	1
11	Gear, 81T	RS7-0570-000CN	1
A01	Coupling, drum		
A02	Coupling, ITB		
A03	Support, spring		
A04	Gear, 35T		
A05	Gear, 35T		
A06	Bushing, gear drive shaft		
A07	Bushing, IS drive shaft		
A08	Pin, support		
A09	E-ring		
A10	Gear, 13T		
A11	Gear, 13T		
A12	Gear, 12T		
A13	Gear, 21T/35T		
A14	Support, spring		
A15	Spring, compression		
A16	Gear, 138T		
A17	Spring, grounding		
A18	Gear, 17T/98T		
A19	Gear, 120T/20T		
A20	Side plate, right rear		
A21	Photo interrupter TLP1242		
A22	Screw, S, M3X8		

Ref	Description	Part number	Qty
A23	Gear, 64T		
A24	Screw, RS, M3X6		
A25	Side plate, right front		
A26	E-ring		
A27	E-ring		
A28	Pin, dowel		
A29	Pin, dowel		
A30	Spring, torsion		
A31	Spring, torsion		
A32	Guide, right cartridge		
A33	Right cartridge guide assembly		
A34	Side plate, right rear		
A35	Shaft, main drive		
A36	Shaft, image drive		
A37	Shaft, gear drive		

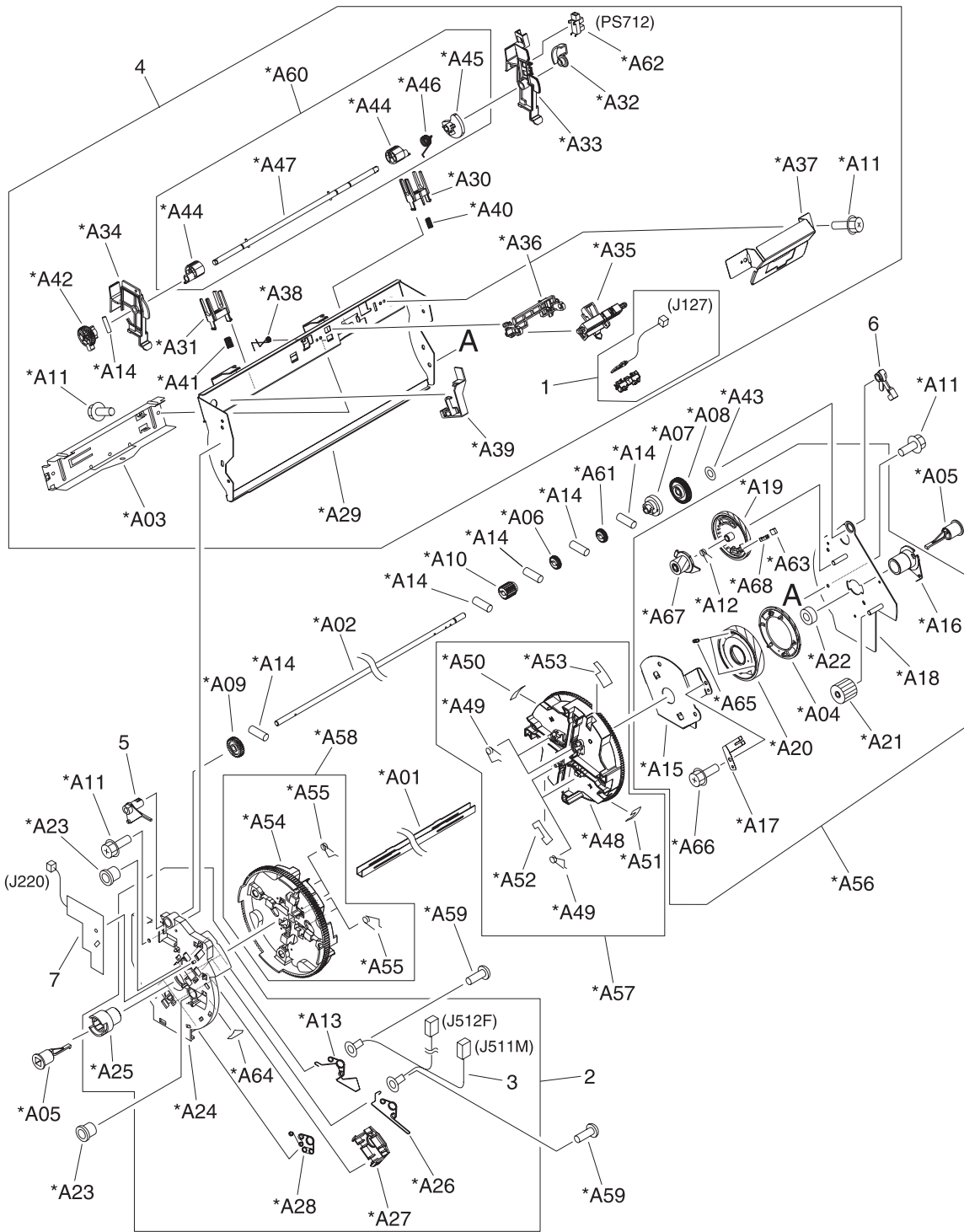


Figure 7-12 Rotary (carousel) assembly

Table 7-15 Rotary assembly

Ref	Description	Part number	Qty
	Rotary assembly	RG5-7587-000CN	1
1	Tag contact assembly	RG5-7132-000CN	1
2	Rotary left side plate assembly	RG5-6942-000CN	1
3	Dev. rotary cable	RG5-7129-000CN	1
4	Rotary pressure assembly	RG5-7589-000CN	1
5	Busing, swing shaft, left	RB2-9809-000CN	1
6	Bushing, swing shaft, right	RB9-0879-000CN	1
7	Toner-sensor PCA	RG5-6964-000CN	1
A01	Rotary center shaft		
A02	Rotary swing shaft		
A03	Reinforcement plate		
A04	Gear, 75T		
A05	Center shaft end support		
A06	Stopper, A		
A07	Gear, 28T		
A08	Gear, 49T		
A09	Gear, 28T		
A10	Gear, 18T		
A11	Screw, RS, M3x6		
A12	Spring, torsion		
A13	Spring, torsion		
A14	Pin, dowel		
A15	Cover, right side plate		
A16	Bushing, center shaft, right		
A17	Grounding plate		
A18	Rotary side plate, right		
A19	Gear, 93T		
A20	Gear, 75T		
A21	Gear, 27T		
A22	Ball bearing		
A23	Cap		
A24	Rotary side plate, left		
A25	Bushing, center shaft, left		
A26	Spring, torsion		

Ref	Description	Part number	Qty
A27	Plate, spring positioning		
A28	Spring, torsion		
A29	Crossmember, rotary pressure		
A30	Support, spring, right		
A31	Support, spring, left		
A32	Flag, pressure shaft		
A33	Holder, pressure shaft, right		
A34	Holder, pressure shaft, left		
A35	Holder, tag contact		
A36	Support, tag contact		
A37	Plate, tag contact		
A38	Spring, torsion		
A39	Plate, pressure lock		
A40	Spring, compression		
A41	Spring, compression		
A42	Gear, 25T		
A43	Washer		
A44	Cam, pressure		
A45	Cam, tag contact drive		
A46	Spring, torsion		
A47	Shaft, rotary pressure		
A48	Disc, rotary right		
A49	Spring, torsion		
A50	Label, rotary inlet		
A51	Label, rotary inlet		
A52	Label, rotary inlet		
A53	Label, rotary inlet		
A54	Disc, rotary left		
A55	Spring, torsion		
A56	Rotary right side plate assembly		
A57	Rotary right disc assembly		
A58	Rotary left disc assembly		
A59	Screw, w/washer, M3x6		
A60	Rotary pressure shaft assembly		
A61	Stopper, B		

Ref	Description	Part number	Qty
A62	Photo interrupter, TLP1242		
A63	Pin, silencer		
A64	Sheet, discharge		
A65	Spring		
A66	Screw, TP, M3x4		
A67	Gear, 19T		
A68	Plate, silencer pin		

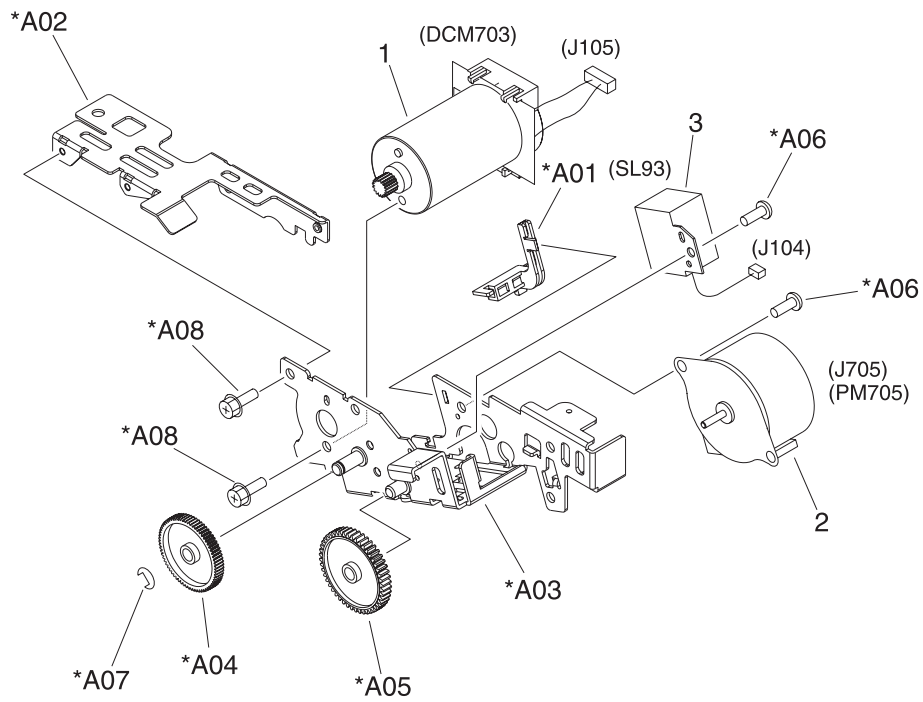


Figure 7-13 Rotary-drive assembly

Table 7-16 Rotary-drive assembly

Ref	Description	Part number	Qty
	Rotary drive assembly	RG5-7842-000CN	1
1	Motor unit	RH7-1651-000CN	1
2	Motor (DC 24V)	RH7-1625-000CN	1
3	Solenoid	RH7-5384-000CN	1
A01	Guide, rotary drive		
A02	Cover, mount motor		
A03	Mount, motor		
A04	Gear, 20T/70T		
A05	Gear, 48T		
A06	Screw, TP, M3x4		
A07	E-ring		
A08	Screw, RS, M3x6		

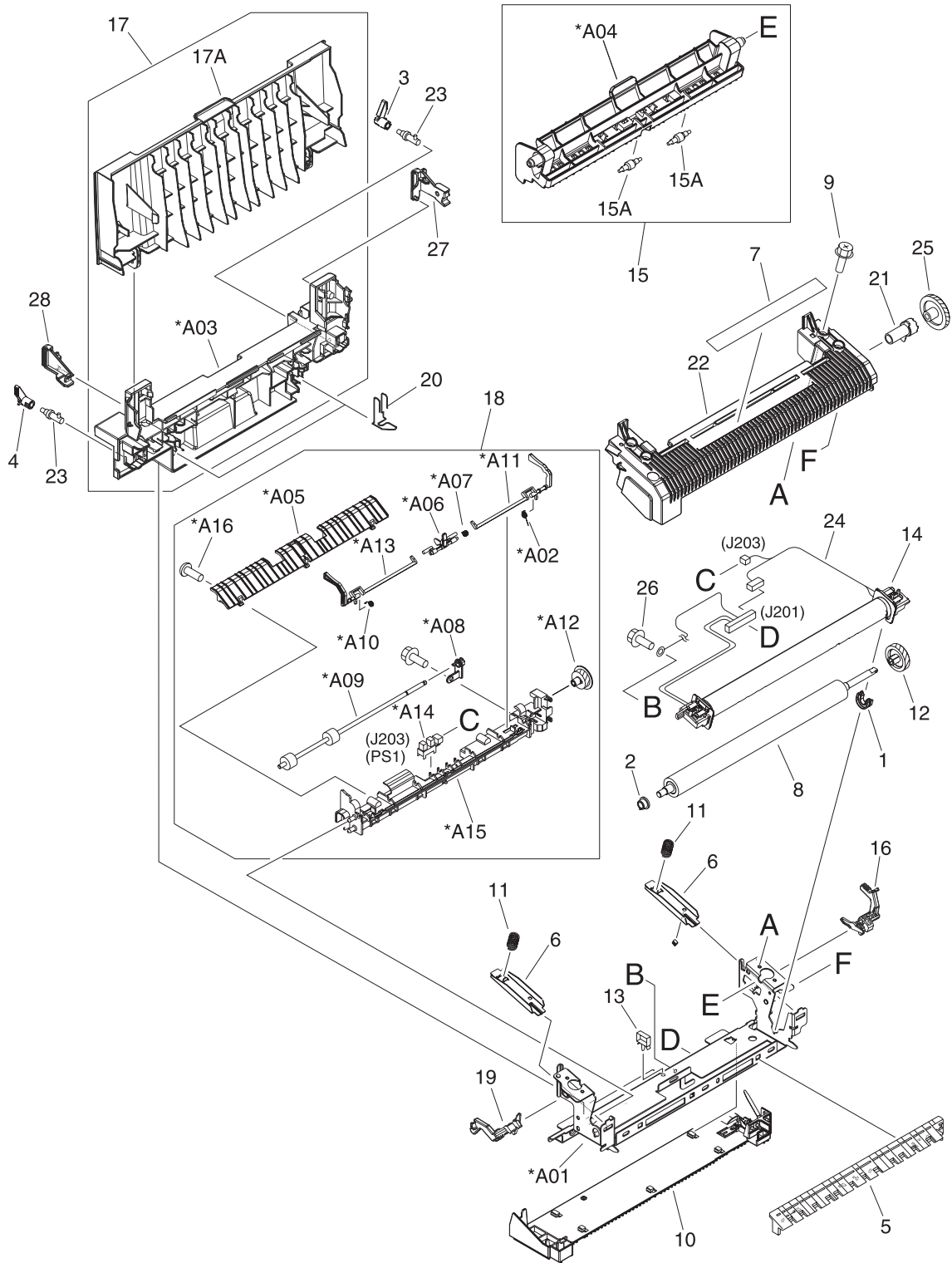


Figure 7-14 Fuser assembly

Table 7-17 Fuser assembly

Ref	Description	Part number	Qty
	Fuser assembly, 110–127V	RG5-7602-000CN	1
	Fuser assembly, 220–240V	RG5-7603-000CN	1
1	Bushing	RB3-1026-000CN	1
2	Bushing	RB3-1027-000CN	1
3	Lever, lock release, right	RB3-0178-000CN	1
4	Lever, lock release, left	RB3-0179-000CN	1
5	Guide, paper inlet	RB3-0180-000CN	1
6	Pressure plate	RB3-1024-000CN	2
7	High-temperature caution label	RU5-8125-000CN	1
8	Roller, pressure	RB3-1034-000CN	1
9	Screw, RS, M3x8	XA9-1500-000CN	4
10	Base plate, fixing	RF5-4060-000CN	1
11	Spring, compression	RB3-1025-000CN	2
12	Gear, 30T	RS7-0580-000CN	1
13	Clamp, cable	WT2-5700-000CN	1
14	Fuser film assembly	RG5-7162-000CN	1
14	Fuser film assembly	RG5-7163-000CN	1
15	Separation upper guide assembly	RG5-7576-000CN	1
15A	Roller, delivery	RB2-9950-000CN	2
16	Lever, pressure-release, right	RB3-1166-000CN	1
17	Face-up cover assembly	RG5-7604-000CN	1
17A	Cover, face-up, upper	RB3-1140-000CN	1
18	Separation lower guide assembly	RG5-7577-000CN	1
19	Lever, pressure-release, left	RB3-1167-000CN	1
20	Spring, grounding	RB3-1150-000CN	2
21	Holder, delivery idle gear shaft	RB3-1029-000CN	1
22	Cover, fuser, upper	RB3-1032-000CN	1
23	Shaft, lever	RB2-4933-000CN	2
24	Cable, fuser AC	RG5-7154-000CN	1
24	Cable, fuser AC	RG5-7155-000CN	1
25	Gear, 28T	RS7-0582-000CN	1
26	Screw, RS, M3x8	XA9-1449-000CN	2
27	Spacer, right	RB2-9934-000CN	1
28	Spacer, left	RB2-9935-000CN	1

Ref	Description	Part number	Qty
A01	Frame, fuser		
A02	Spring, torsion		
A03	Cover, face-up, lower		
A04	Guide, upper separation		
A05	Guide, lower separation		
A06	Flag, paper-delivery sensor		
A07	Spring, torsion		
A08	Bushing		
A09	Roller, paper-delivery		
A10	Spring, torsion		
A11	Lever, pressure-release sensor, right		
A12	Gear, 17T		
A13	Lever, pressure-release sensor, left		
A14	Photo interrupter, TLP1242		
A15	Frame, separation, lower		
A16	Screw, with washer, M4x12		

Printed circuit assemblies (PCAs)

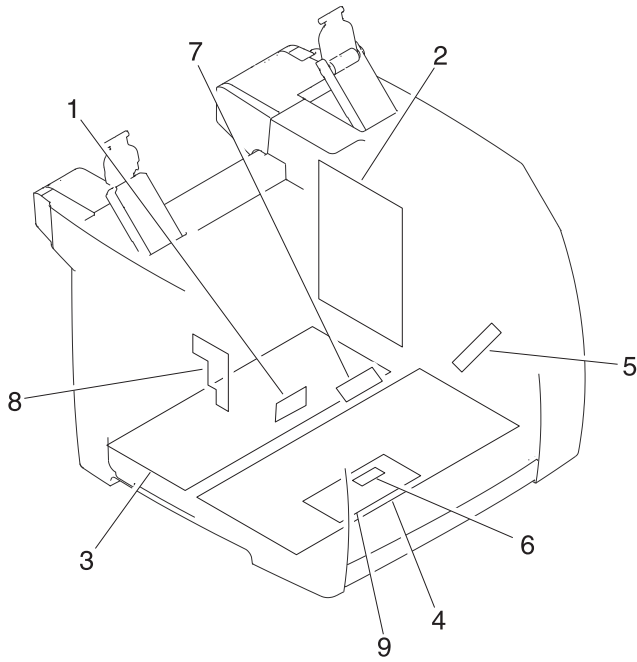


Figure 7-15 PCAs

Table 7-18 PCA assemblies

Ref	Description	Part number	Qty
1	Top sensor PCA	RG5-7612-000CN	1
2	DC Controller PCA	RG5-7646-000CN	1
3	Low-voltage PCA, 110-127 V	RH3-2260-000CN	1
3	Low-voltage PCA, 220-240 V	RH3-2261-000CN	1
4	High-voltage transformer PCA	RG5-7647-000CN	1
5	Waste-toner sensor PCA	RG5-7648-000CN	1
6	Registration-sensor PCA	RG5-7613-000CN	1
7	Density-sensor PCA	RH7-7158-000CN	1
8	Toner-sensor PCA	RG5-7609-000CN	1
9	Sub-high-voltage transformer PCA	RG5-7616-000CN	1