

7. Parts catalog

How to use this parts catalog

The following legend is used in the parts catalog:

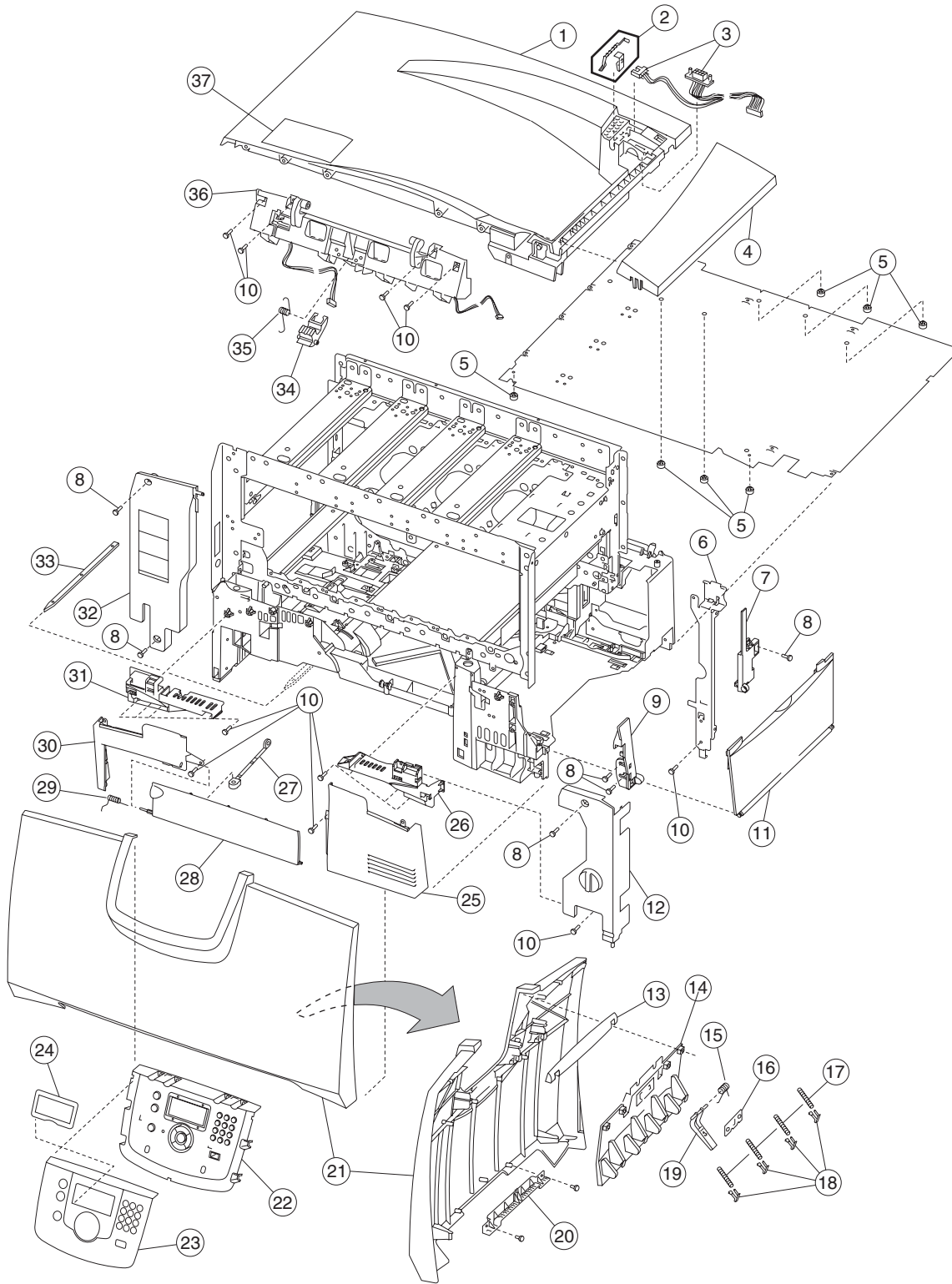
Asm-Index	Part number	Units/mach - OR - Units/option	Units/ FRU	Description
-----------	-------------	--------------------------------------	---------------	-------------

- **Asm-index:** identifies the assembly and the item in the diagram. For example, 3-1 indicates Assembly 3 and the item number 1.
- **Part number:** identifies the unique number that identifies this FRU.
- **Units/mach:** refers to the number of units actually used in the base machine or product.
- **Units/option:** refers to the number of units used in the option and does not include the base machine.
- **Units/kit or pkg:** refers to the number of units packaged together and identified by the part number.
- **NS:** (Not shown) in the Asm-Index column indicates that the part is procurable but is not pictured in the illustration.
- **NA:** (Not available) in the parts description column indicates the part is shown for identification purposes only and is not available as a FRU.

The Lexmark C77x (506x-4xx) laser printer is available in four models:

Name	Machine type/model	Description	Abbreviation used in parts catalog
Lexmark C770	5061-100	Non-network	100
Lexmark C770	5061-110	Network	110
Lexmark C772	5061-300	Non-network	300
Lexmark C772	5061-310	Network	310

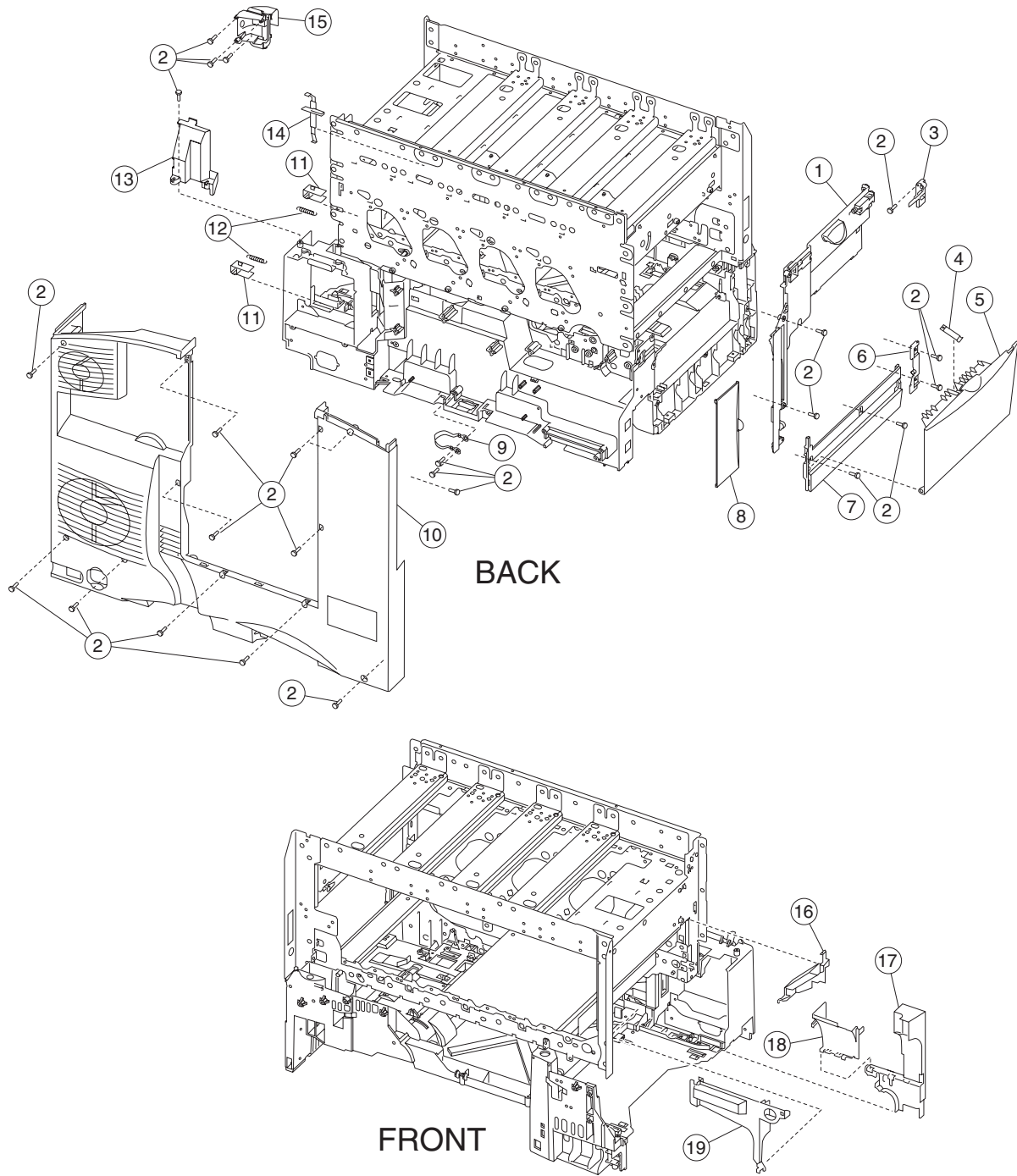
Assembly 1: Covers



Assembly 1: Covers

Asm-Index	Part number	Units/mach	Units/FRU	Description
1-1	40X1628	1		Top cover assembly, also order cable tie parts packet (P/N 40X1648)
2	40X1631	1		250 output flag and retainer
3	40X1637	1		Top autoconnect and output bin sensor
4	40X1638	1		Redrive cap cover assembly
5	40X1601	7		Machine pad
6	40X1602	1		Top front support bracket
7	40X1622	1		Right rear cover
8		3		Screw type 324, parts packet (40X1635)
9	40X1620	1		Right front cover
10		12		Screw type 323, parts packet (40X1633)
11	40X1634	1		Lower right door assembly
12	40X1605	1		Front right light shield
13	40X1615	1		Front cover rear pivot cover
14	40X1607	1		Front cover backplate assembly
15	40X1608	1		Detent link spring
16	40X1672	1		Bellcrank detent bearing
17	40X1636	4		Rear hold down spring
18	40X1610	4		Front hold down bellcrank
19	40X1609	1		Detent link
20	40X1623	1		Front access door handle
21	40X1614	1		Front cover
22	40X1626	1		Operator panel assembly
23	40X1625	1		Operator panel bezel with overlays, 100/110 only
23	40X1624	1		Operator panel bezel with overlays, 300/310 only
24	40X1627	1		Clear LCD lens
25	40X1621	1		Front lower right cover
26	40X1629	1		Front right handle cover assembly
27	40X1768	1	1	Reference edge nip release strap
28	40X1619	1		Paper path access door
29	40X1603	1		Paper path access door spring
30	40X1618	1		Front lower left cover
31	40X1630	1		Front left handle cover assembly
32	40X1604	1		Left front light shield cover
33	40X1606	1		Paper tray guide
34	40X1612	1		Detent bellcrank
35	40X1613	1		Bellcrank detent spring
36	40X1611	1		Front access door support
37	40X1616	1		Top paper jam label, 300/310 only
37	40X1617	1		Top paper jam label, 100/110 only

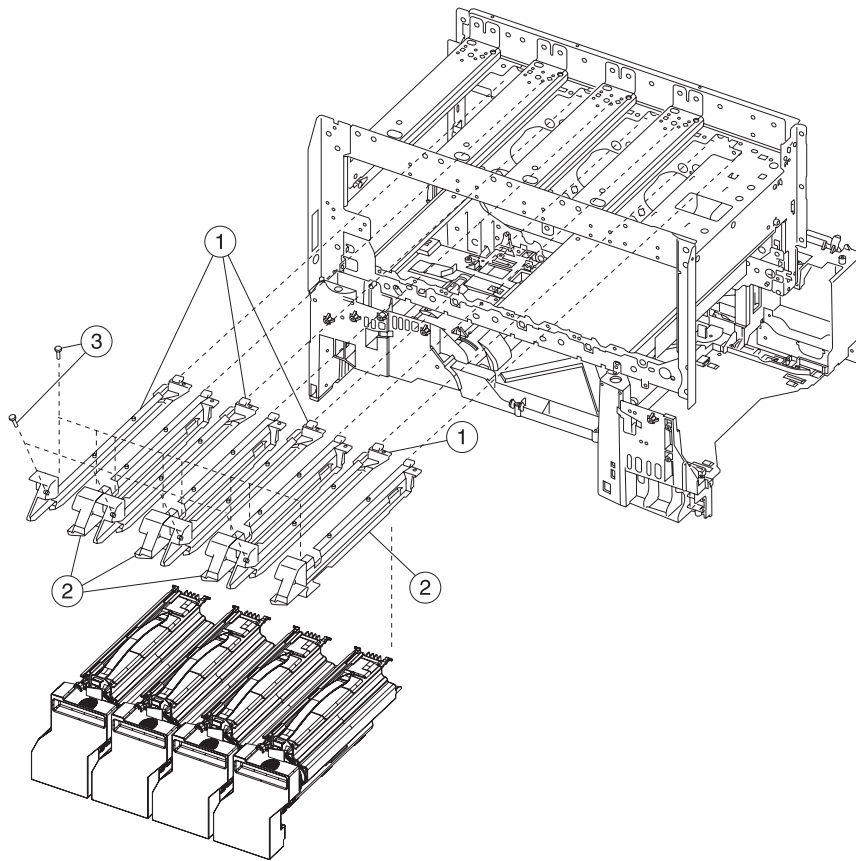
Assembly 1.1: Covers



Assembly 1.1: Covers

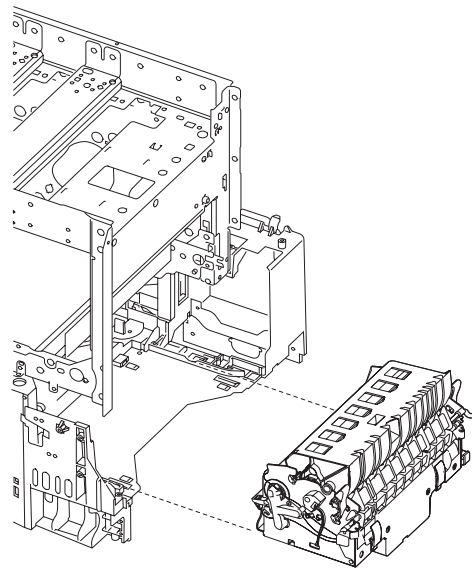
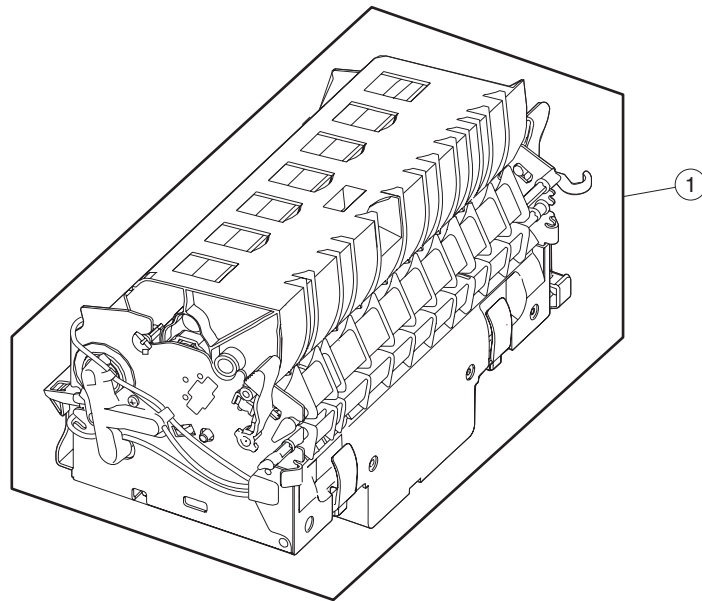
Asm-Index	Part number	Units/mach	Units/FRU	Description
1.1-1	40X1657	1		Left upper cover assembly
2		21		Screw type 323, parts packet, (40X1633)
3	40X1653	1		Left upper pivot cover
4	40X1660	1		Jam access spring
5	40X1658	1		Lower jam access door assembly
6	40X1655	1		Left lower pivot cover
7	40X1654	1		Left lower cover
8	40X1656	1		Waste container door
9	40X1647	1		Ground cable
10	40X1644	1		Rear cover
11	40X1643	2		Fuser latch slide
12	40X1645	2		Fuser latch slide spring
13	40X1640	1		Fuser top duct
14	40X1646	1		Duplex actuator arm assembly
15	40X1662	1		RIP fan duct
16	40X1642	1		Fuser wall duct
17	40X1641	1		Fuser bottom duct
18	40X1650	1		Fuser left duct
19	40X1652	1		Redrive belt cover duct
NS	40X1648	6		Cable tie (6 in pack)
NS	40X1649	2		Cable tie mount
NS	40X1671	6		Cable tie (6 in pack)

Assembly 2: Cartridge mounting



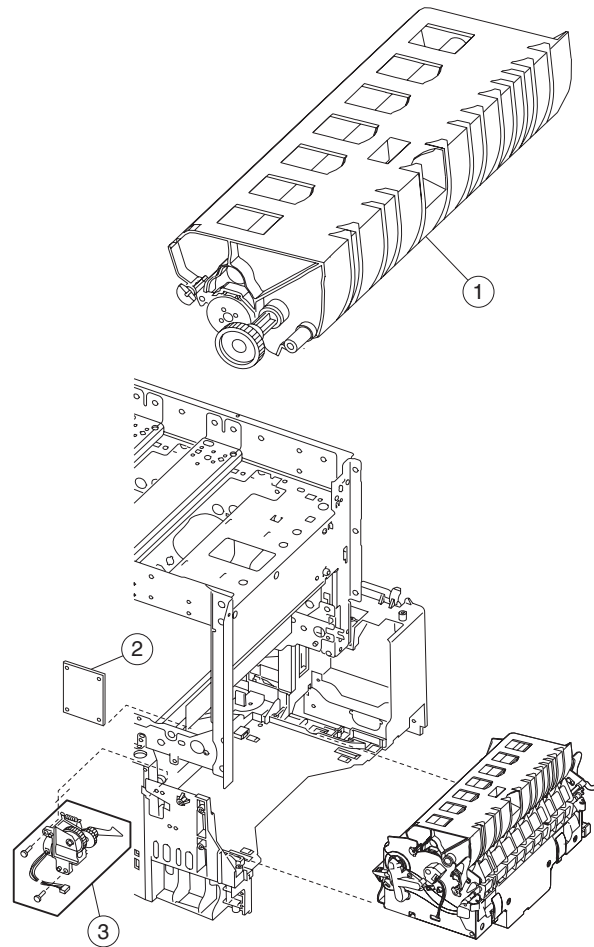
Asm-Index	Part number	Units/mach	Units/FRU	Description
2-1	40X1663	4		Guide assembly, left side
2	40X1664	4		Guide assembly, right side
3		12		Screw type 102, parts packet (40X1639)

Assembly 3: Fuser assembly



Asm-Index	Part number	Units/mach	Units/FRU	Description
3-1	40X1666	1		Fuser assembly, 220 V 500W
1	40X1651	1		Fuser assembly, 115 V 500W
1	40X1667	1		Fuser assembly, 100 V 500W (Japan)

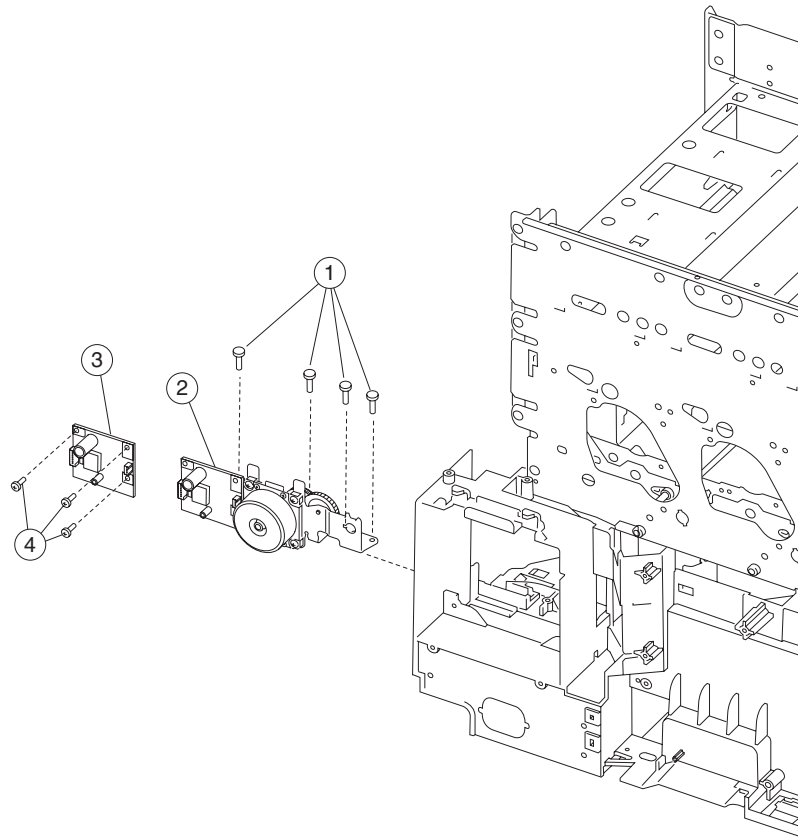
Assembly 3.1: Fuser (web oiler)



Assembly 3.1: Fuser (web oiler)

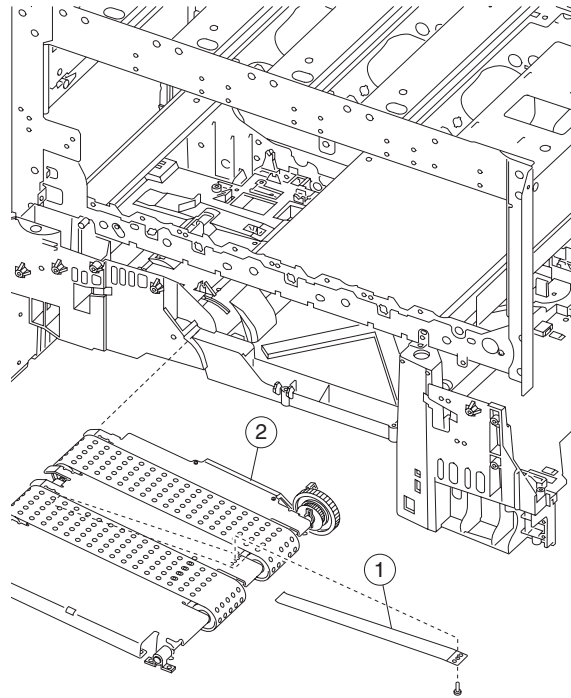
Asm-Index	Part number	Units/mach	Units/FRU	Description
3.1-1	40X1674	1		Web oiler assembly
2	40X1670	1		Web oiler driver board assembly
3	40X1669	1		Web oiler index drive assembly

Assembly 4: Fuser drive



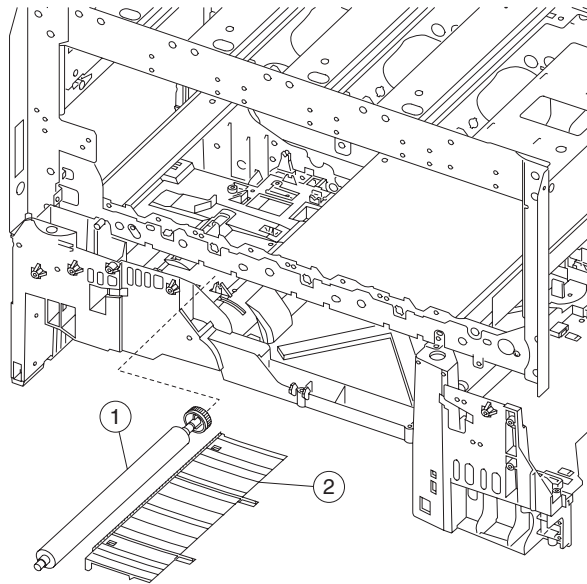
Asm-Index	Part number	Units/mach	Units/FRU	Description
4-1		4		Screws type 323, parts packet (40X1633)
2	40X1661	1		Fuser drive assembly
3	40X1675	1		Fuser drive card assembly
4		3		Screw type 232, parts packet, (40X1676) (card assembly mounting)

Assembly 5: Vacuum transport belt (VTB) assembly



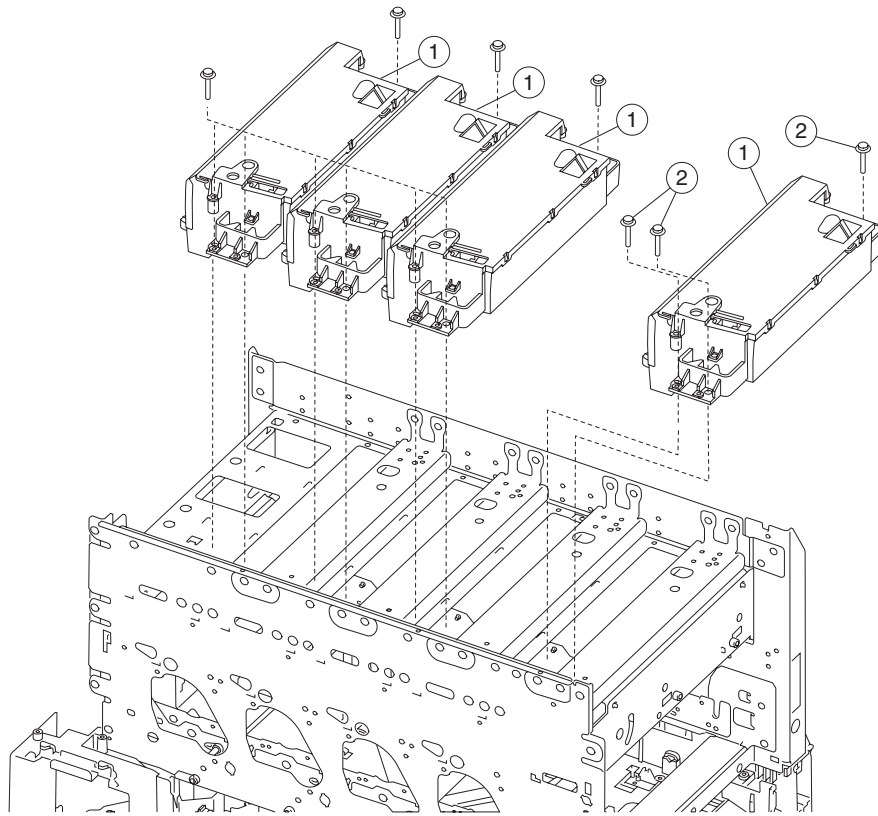
Asm-Index	Part number	Units/mach	Units/FRU	Description
5-1	40X1660	1		Jam access spring
2	40X1677	1		Vacuum transport belt assembly

Assembly 6: Transfer



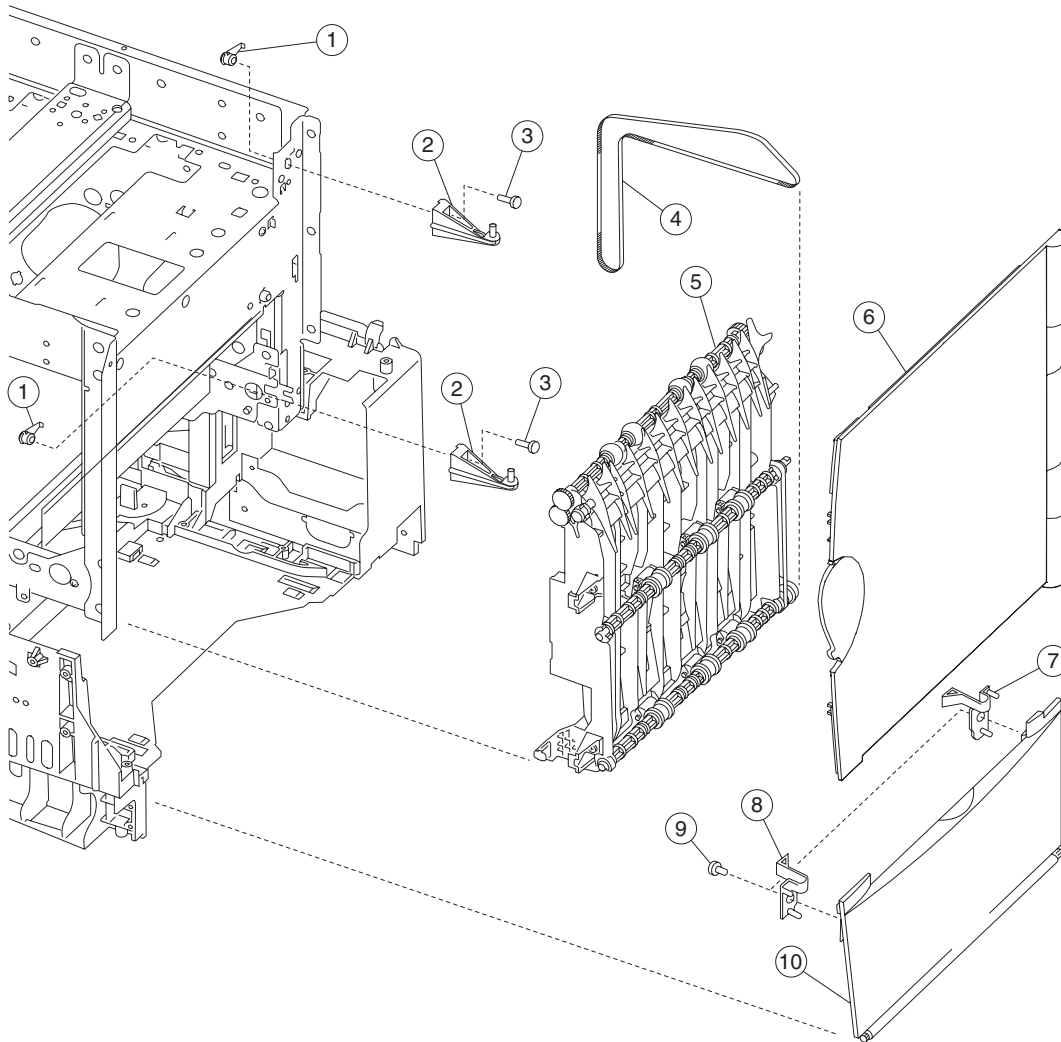
Asm-Index	Part number	Units/mach	Units/FRU	Description
6-1	40X1678	1		Second transfer roll
2	40X1679	1		Transfer plate assembly

Assembly 7: Printheads



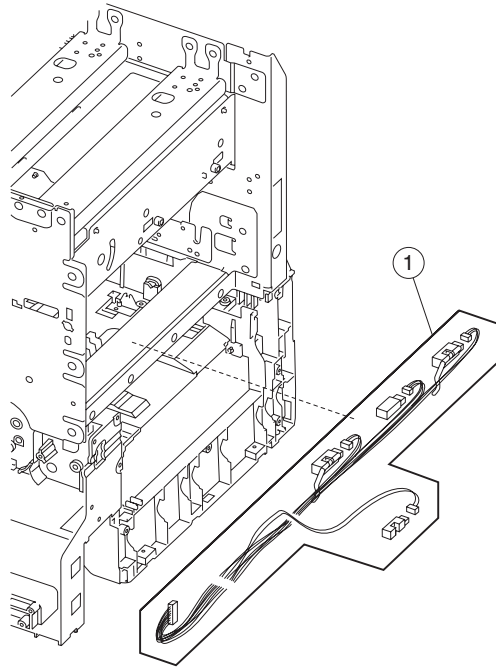
Asm-Index	Part number	Units/mach	Units/FRU	Description
7-1	40X1683	4		Printhead assembly (do not replace more than one printhead at a time), also order cable tie parts packet (P/N 40X1648)
2		12		Screw type 484, parts packet (40X1632)

Assembly 8: Paper feed output (redrive)



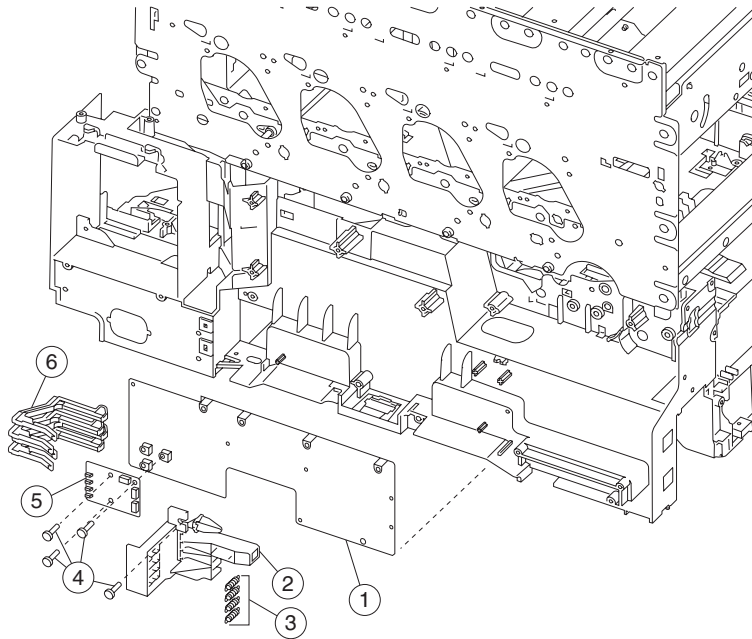
Asm-Index	Part number	Units/mach	Units/FRU	Description
8-1	40X1686	8	2	Bracket mounting anchor (2 per package)
2	40X1685	2		Upper door hinge
3		2		Screw type 312/322/412/423, parts packet, (40X1691)
4	40X1689	1		Redrive belt 300 T
5	40X1684	1		Redrive assembly
6	40X1690	1		Redrive door assembly
7	40X1687	1		Lower right door latch
8	40X1688	1		Lower left door latch
9		2		Screw type 324, parts packet (40X1635)
10	40X1634	1		Lower right door assembly

Assembly 9: Paper feed input



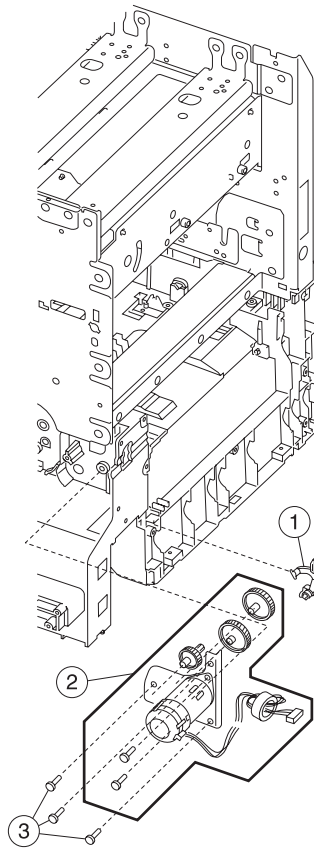
Asm-Index	Part number	Units/mach	Units/FRU	Description
9-1	40X1692	1		S2/XPAR/NMS/MPF cable assembly (with sensors)

Assembly 10: Media size sensing



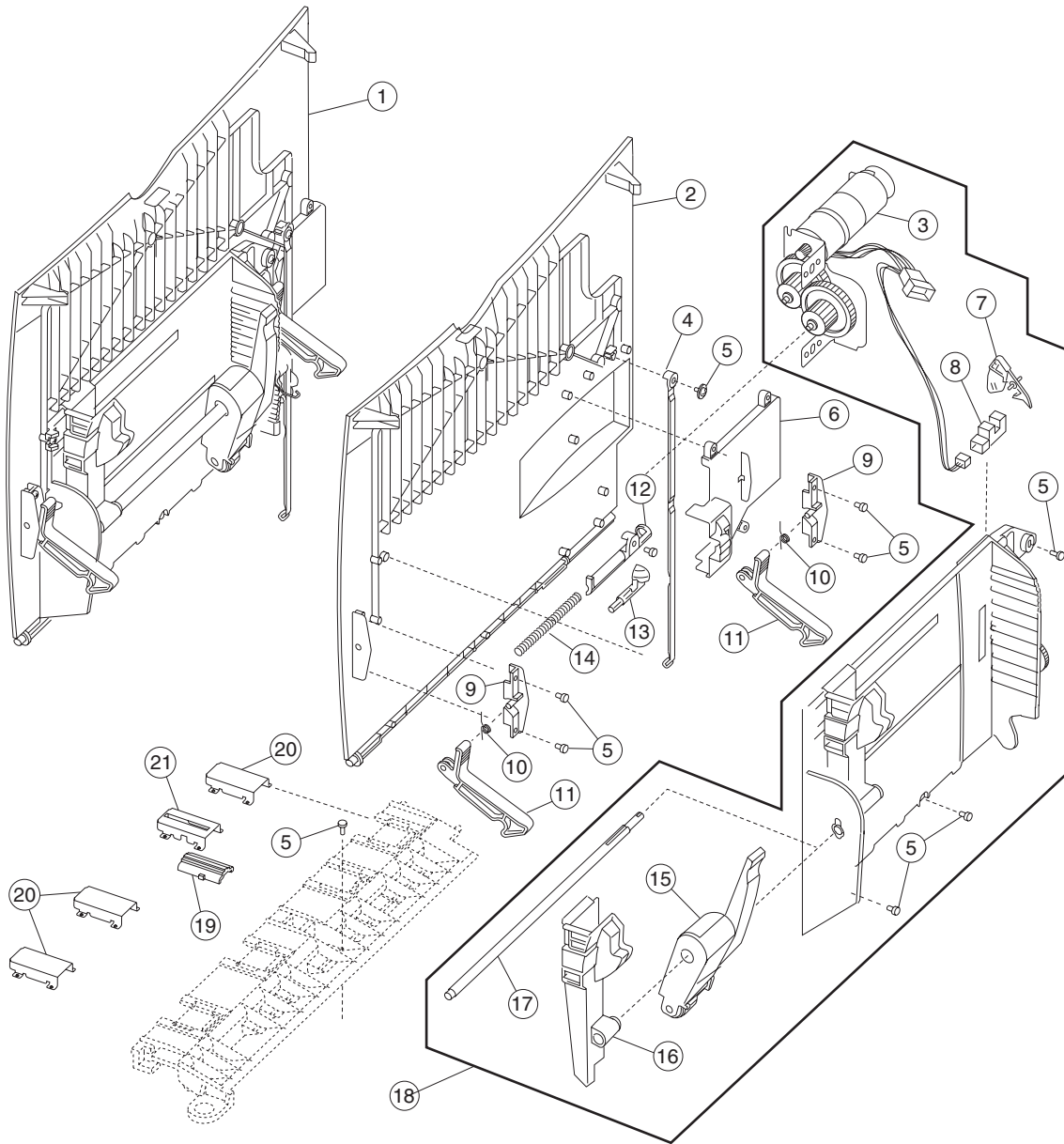
Asm-Index	Part number	Units/mach	Units/FRU	Description
10-1	40X1700	1		System board shield support with clips, also order cable tie parts packet (P/N 40X1648)
2	40X1698	1		Media size sensing bracket, also order cable tie parts packet (P/N 40X1648)
3	40X1697	4		Media size sensing spring, also order cable tie parts packet (P/N 40X1648)
4		4		Screw type 232, parts packet, 40X1676 (media size sensing assembly mounting)
5	40X1699	1		Media size sensing board assembly, also order cable tie parts packet (P/N 40X1648)
6	40X1696	4		Media size sensing link, also order cable tie parts packet (P/N 40X1648)

Assembly 11: Paper feed transport



Asm-Index	Part number	Units/mach	Units/FRU	Description
11-1	40X1701			Nip relief handle, also order cable tie parts packet (P/N 40X1648)
2	40X1702	1		Registration motor assembly kit, including: (also order cable tie parts packet, P/N 40X1648) - Staging motor assembly - Gear, reference plate - Gear, staging idler - Gear, staging reduction - Motor screws
3		3		Screw type 323, parts packet, 40X1633

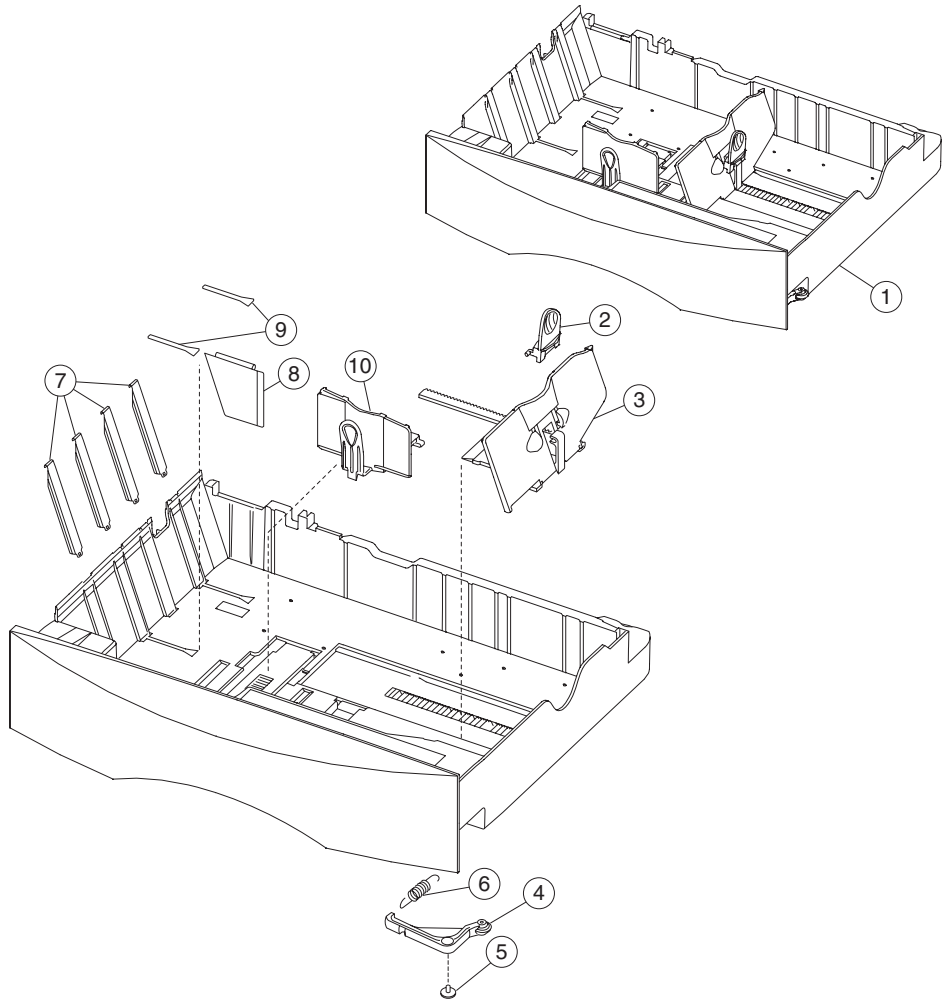
Assembly 12: Multipurpose feeder (MPF)



Assembly 12: Multipurpose feeder (MPF)

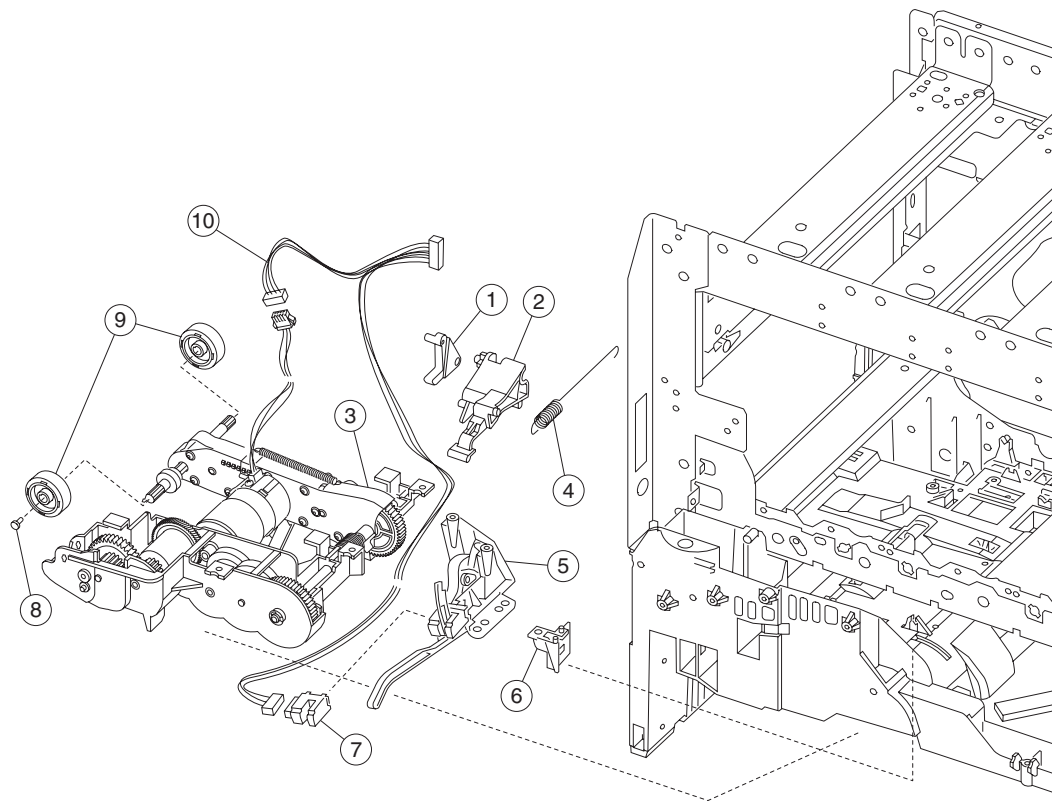
Asm-Index	Part number	Units/mach	Units/FRU	Description
12-1	40X1714	1		MPF door assembly
2	40X1711	1		MPF door cover
3	40X1853	1		MPF drive assembly
4	40X1708	1		Door hinge restraint
5		12		Screw type 312/322/412/423, parts packet, 40X1691
6	40X1710	1		MPF gear cover
7	40X1673	1		MPF paper out flag
8	40X1852	1		Paper out sensor MPF
9	40X1715	2		MPF support bracket cover
10	40X1707	2		MPF support bracket spring
11	40X1717	2		MPF support bracket
12	40X1713	1		Frame bias latch cover
13	40X1712	1		Frame bias latch
14	40X1706	1		Frame bias spring
15	40X1716	1		MPF autocompensator pick assembly
16	40X1736	1		MPF side restraint
17	40X1682	1		MPF pick shaft
18	40X1709	1		MPF feed assembly
19	40X1705	1		Friction buckler
20	40X1704	3		Rib housing
21	40X1703	1		Buckler housing
NS	40X1854	1		MPF motor/sensor cable

Assembly 13: 500-Sheet integrated tray



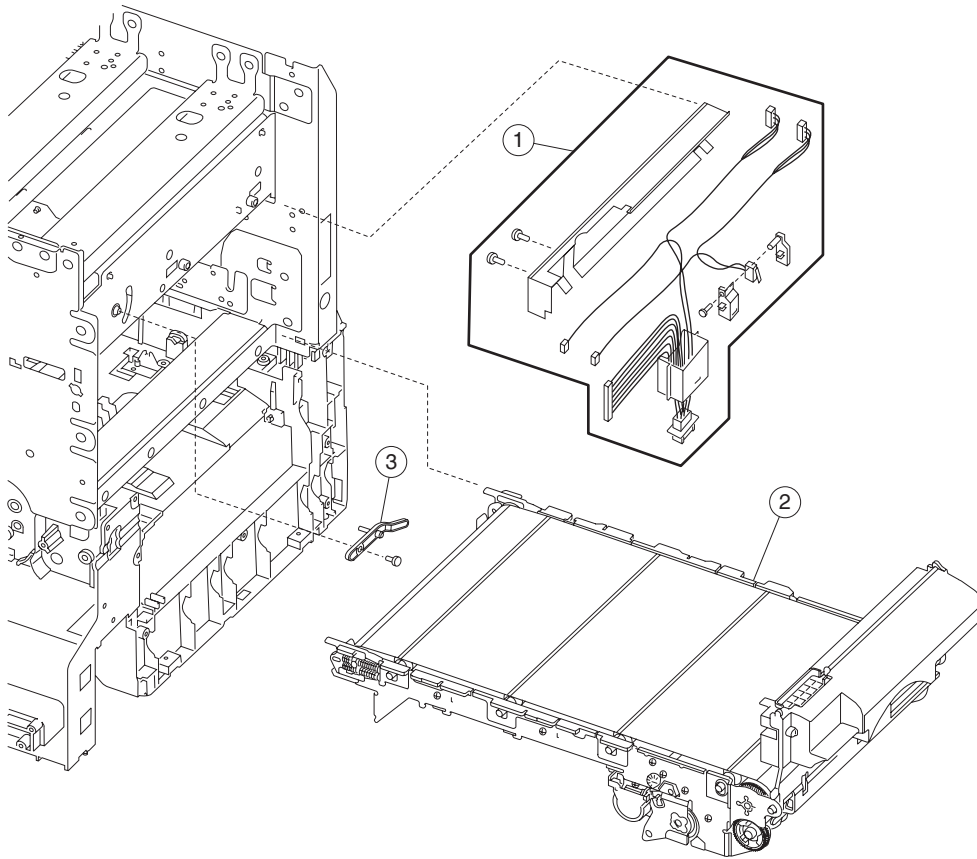
Asm-Index	Part number	Units/mach	Units/FRU	Description
13-1	40X1728	1		500-Sheet tray assembly
2	40X1720	1		Back restraint latch
3	40X1719	1		Back restraint
4	40X1723	1		Tray bias bellcrank assembly
5		1		Screw type 312/322/412/423, parts packet, 40X1691
6	40X1725	1		Tray bias spring
7	40X1722	4		Wear strip
8	40X1885	1		Tray wear clip
9	40X1727	2		Restraint pad
10	40X1718	1		Side restraint

Assembly 14: Autocompensator assembly



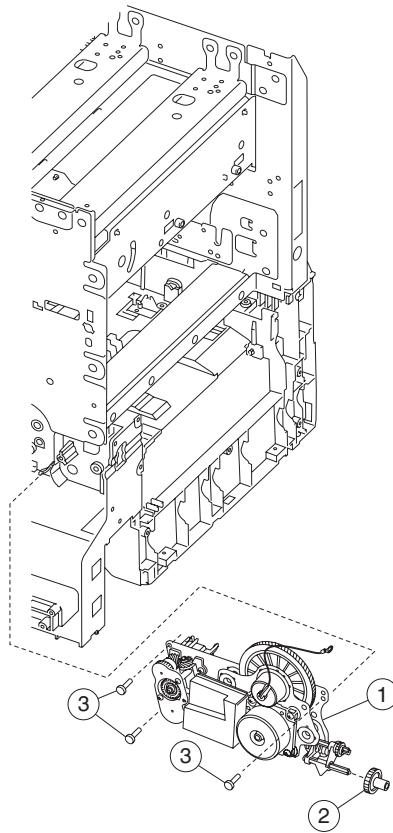
Asm-Index	Part number	Units/mach	Units/FRU	Description
14-1	40X1730	1		Tray interlock bellcrank
2	40X1741	1		Pick arm lift bellcrank
3	40X1724	1		Pick assembly 500-tray
4	40X1734	1		Bellcrank lift spring
5	40X1732	1		Paper level sensing assembly
6	40X1731	1		Tray interlock bracket
7	40X1729	1		Sensor, paper out/low
8		1		Screw type 312/322/412/423, parts packet, 40X1691 (pick roll mounting)
9	40X1765	2		Pick roll tires (2 per pack)
10	40X1733	1		Pick motor extension and paper level sensing cable

Assembly 15: ITU assembly



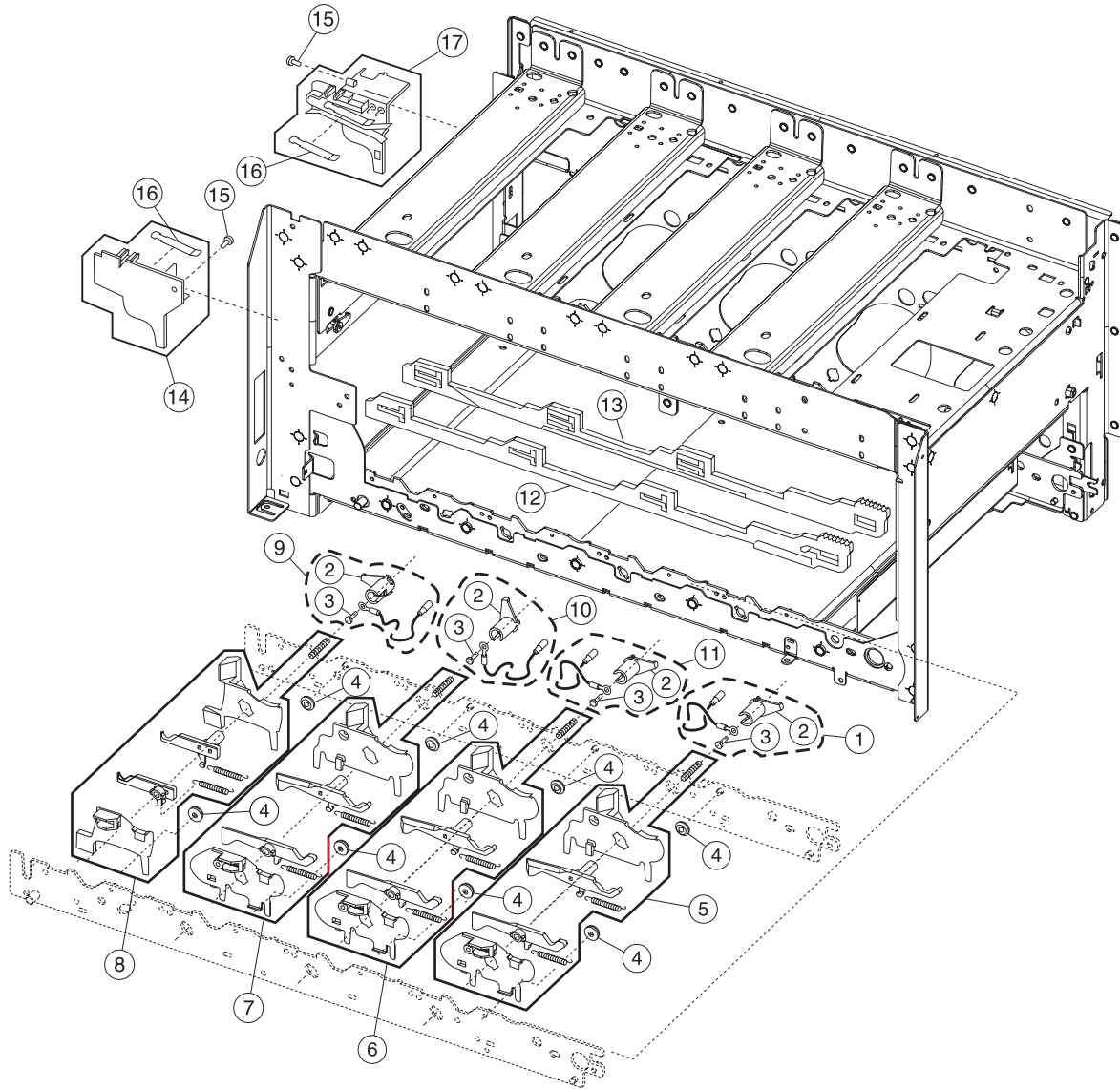
Asm-Index	Part number	Units/mach	Units/FRU	Description
15-1	40X1739	1		ITU light shield assembly
2	40X1738	1		ITU assembly
3	40X1737	1		ITU coupler retract lever

Assembly 16: ITU drive assembly



Asm-Index	Part number	Units/mach	Units/FRU	Description
16-1	40X1735	1		ITU drive assembly, also order cable tie parts packet (P/N 40X1648)
2	40X1742	1		#58 gear, also order cable tie parts packet (P/N 40X1648)
3		3		Screw type 323, parts packet, 40X1633 (ITU drive assembly lower frame)

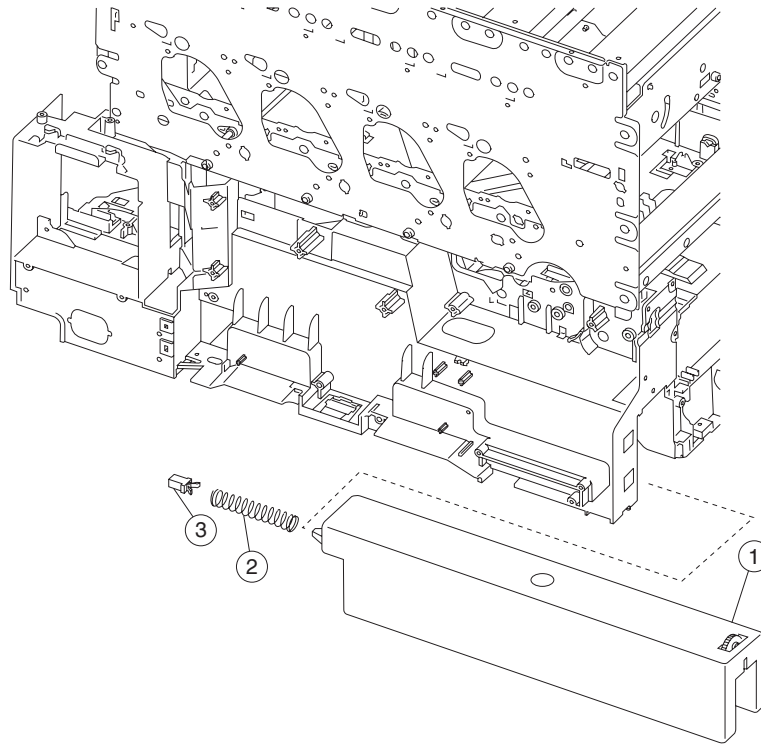
Assembly 17: ITU loading



Assembly 17: ITU loading

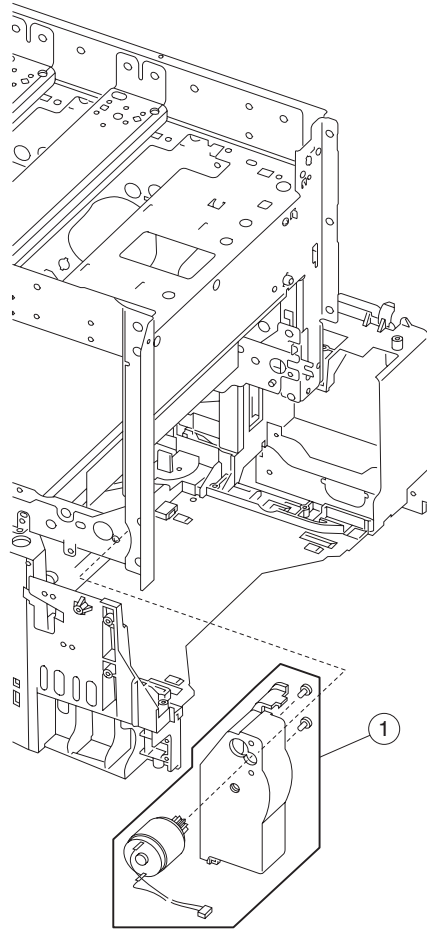
Asm-Index	Part number	Units/mach	Units/FRU	Description
17-1	40X1761	1		Yellow terminal contact assembly
2	40X1744	4		Contact spring terminal
3		4		Screw type 312/322/412/423, parts packet, 40X1691
4	40X1743	8		Cartridge support roller
5	40X1749	1		Parts packet, ITU loading—yellow, including - Yellow BOR spring - Rear block guide - Rear transfer bellcrank - Front V block guide - Front transfer bellcrank - High voltage contact spring
6	40X1750	1		Parts packet, ITU loading—cyan, including - Cyan BOR spring - Rear V block guide - Rear transfer bellcrank - Front V block guide - Front transfer bellcrank - High voltage contact spring
7	40X1751	1		Parts packet, ITU loading—magenta, including - Magenta BOR spring - Rear V block guide - Rear transfer bellcrank - Front V block guide - Front transfer bellcrank - High voltage contact spring
8	40X1752	1		Parts packet, ITU loading—black, including - Black BOR spring - Rear block guide - Rear transfer bellcrank - Front V block guide - Front transfer bellcrank - High voltage contact spring
9	40X1753	1		Black terminal contact assembly
10	40X1757	1		Magenta terminal contact assembly
11	40X1759	1		Cyan terminal contact assembly
12	40X1747	1		BOR front cam
13	40X1748	1		BOR rear cam
14	40X1770	1	1	Front ITU guide
15				Screw type 323, parts packet, 40X1633
16	40X1745	1	1	ITU bias spring
17	40X1746	1	1	Rear ITU guide

Assembly 18: Waste toner



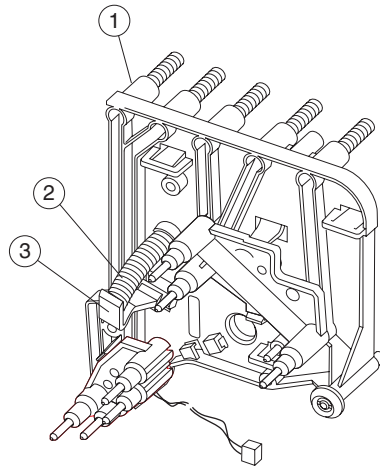
Asm-Index	Part number	Units/mach	Units/FRU	Description
18-1	40X1756	1		Waste toner container
2	40X1755	1		Waste container latch spring, also order cable tie parts packet (P/N 40X1648)
3	40X1754	1		Waste container latch, also order cable tie parts packet (P/N 40X1648)

Assembly 19: BOR drive assembly



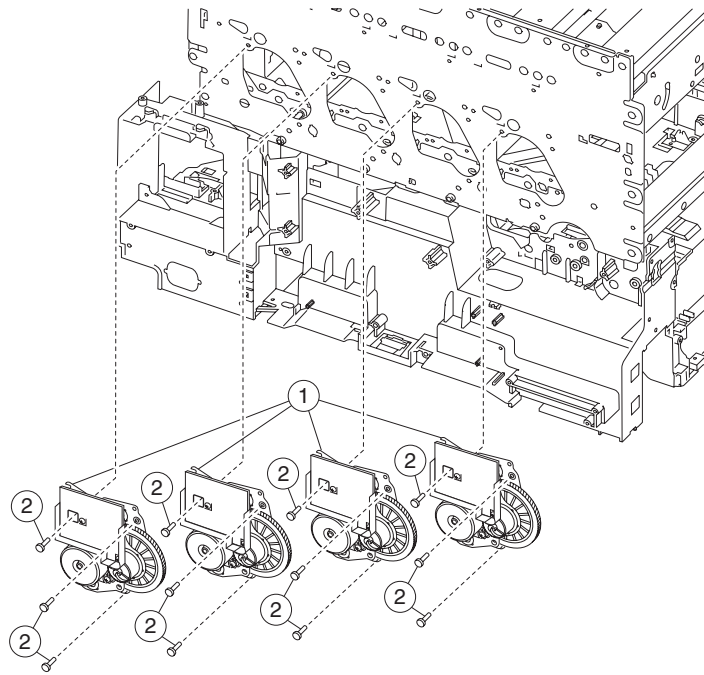
Asm-Index	Part number	Units/mach	Units/FRU	Description
19-1	40X1758	1		Lift/BOR assembly

Assembly 20: Cartridge contact assembly



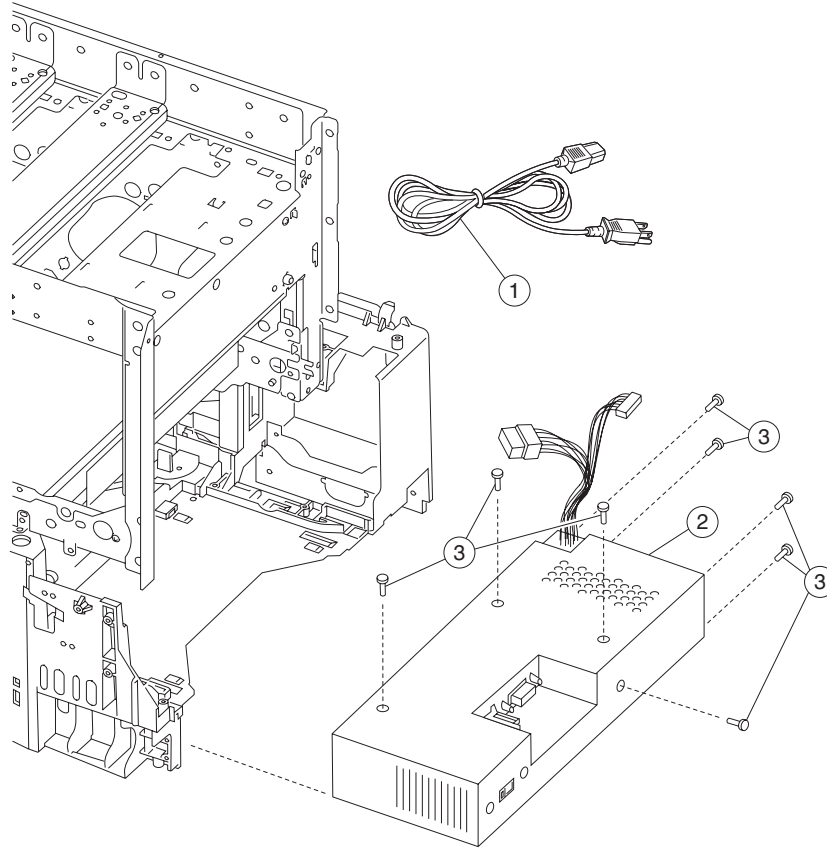
Asm-Index	Part number	Units/mach	Units/FRU	Description
20-1	40X1762	4		Cartridge contact assembly, complete, also order cable tie parts packet (P/N 40X1648)
2	40X1636	4		Rear hold down spring, also order cable tie parts packet (P/N 40X1648)
3	40X1760	4		Rear hold down bellcrank, also order cable tie parts packet (P/N 40X1648)

Assembly 21: Cartridge drive assembly



Asm-Index	Part number	Units/mach	Units/FRU	Description
21-1	40X1764	3		Cartridge drive assembly (one drive assembly per package), also order cable tie parts packet (P/N 40X1648)
2		12		Screw type 324, parts packet, 40X1635

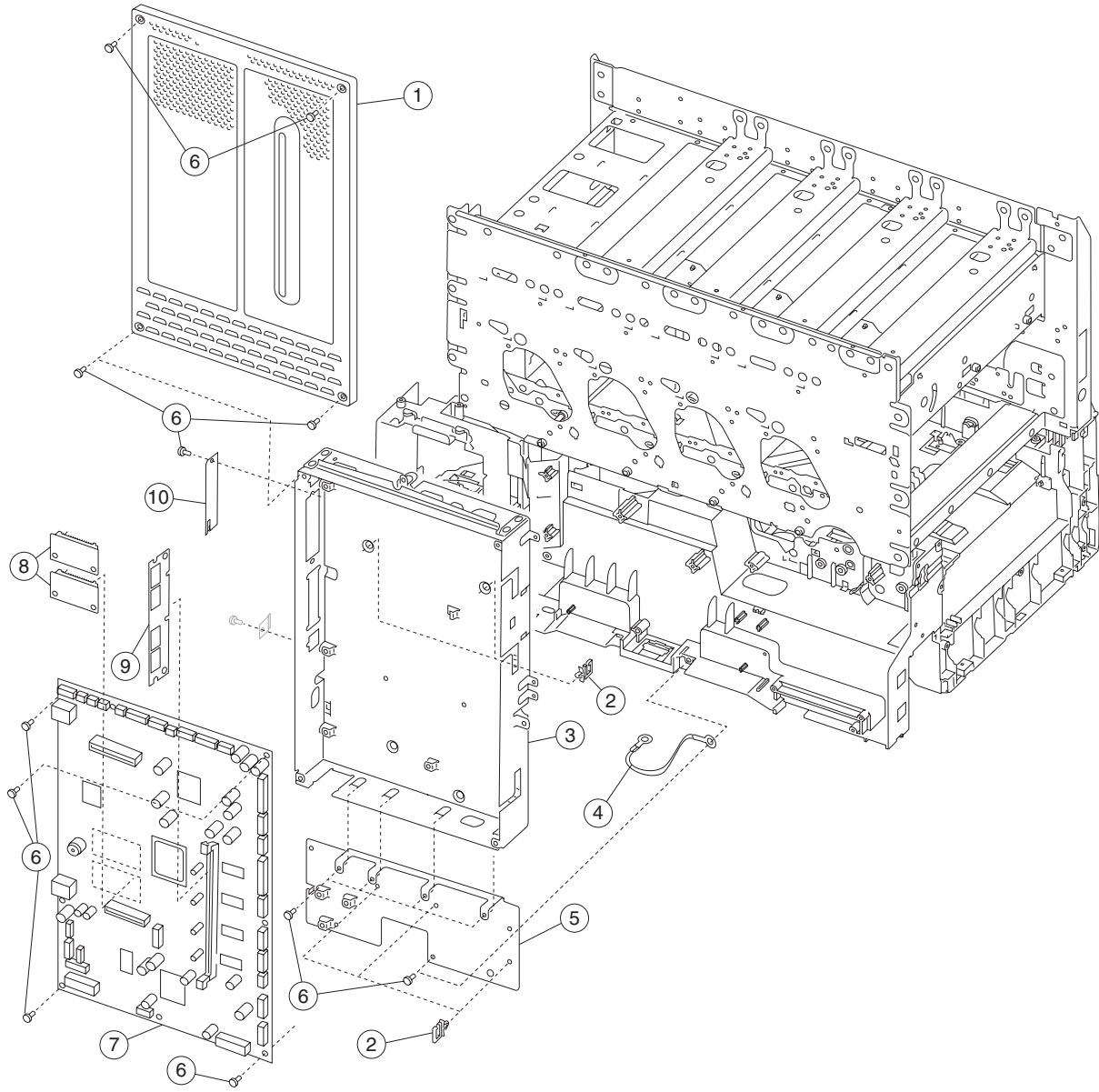
Assembly 22: Electronics



Assembly 22: Electronics

Asm-Index	Part number	Units/mach	Units/FRU	Description
22-1	40X0269	1		Power cord set—U.S., Asia Pacific (English), Canada, Colombia, Costa Rica, Dominican Republic, Ecuador, El Salvador, Guatemala, Honduras, Mexico, Nicaragua, Panama, Puerto Rico, Saudi Arabia, Taiwan, Venezuela, Virgin Islands
1	40X0270	1		Power cord set—Japan
1	40X0303	1		Power cord set—PRC
1	40X1766	1		Power cord set—Bolivia, Peru
1	40X0288	1		Power cord set—Argentina
1	40X1767	1		Power cord set—African countries—Bluemark, Austria, Belgium, Bulgaria, Catalan, CIS, Croatia, Finland, France, Germany, Greece, Hungary, Italy, Macedonia, Netherlands, Norway, Paraguay, Poland, Portugal, Romania, Russia, Slovenia, Spain, Sweden, Turkey, Yugoslavia (Serbia and Montenegro)
1	40X0280	1		Power cord set—Korea
1	40X0281	1		Power cord set—Taiwan
1	40X0301	1		Power cord set—Australia
1	40X1771	1		Power cord set—Israel
1	40X0275	1		Power cord set—Israel
1	40X1772	1		Power cord set—Switzerland
1	40X1773	1		Power cord set—Botswana, Lesotho, Namibia, South Africa
1	40X0273	1		Power cord set—Chile, Uruguay
1	40X1774	1		Power cord set—Denmark
1	40X0277	1		Power cord set—Brazil
1	40X0271	1		Power cord set—Ireland, UK
2	40X1781	1		LVPS assembly
3		8		Screw type 121, parts packet, 40X1780

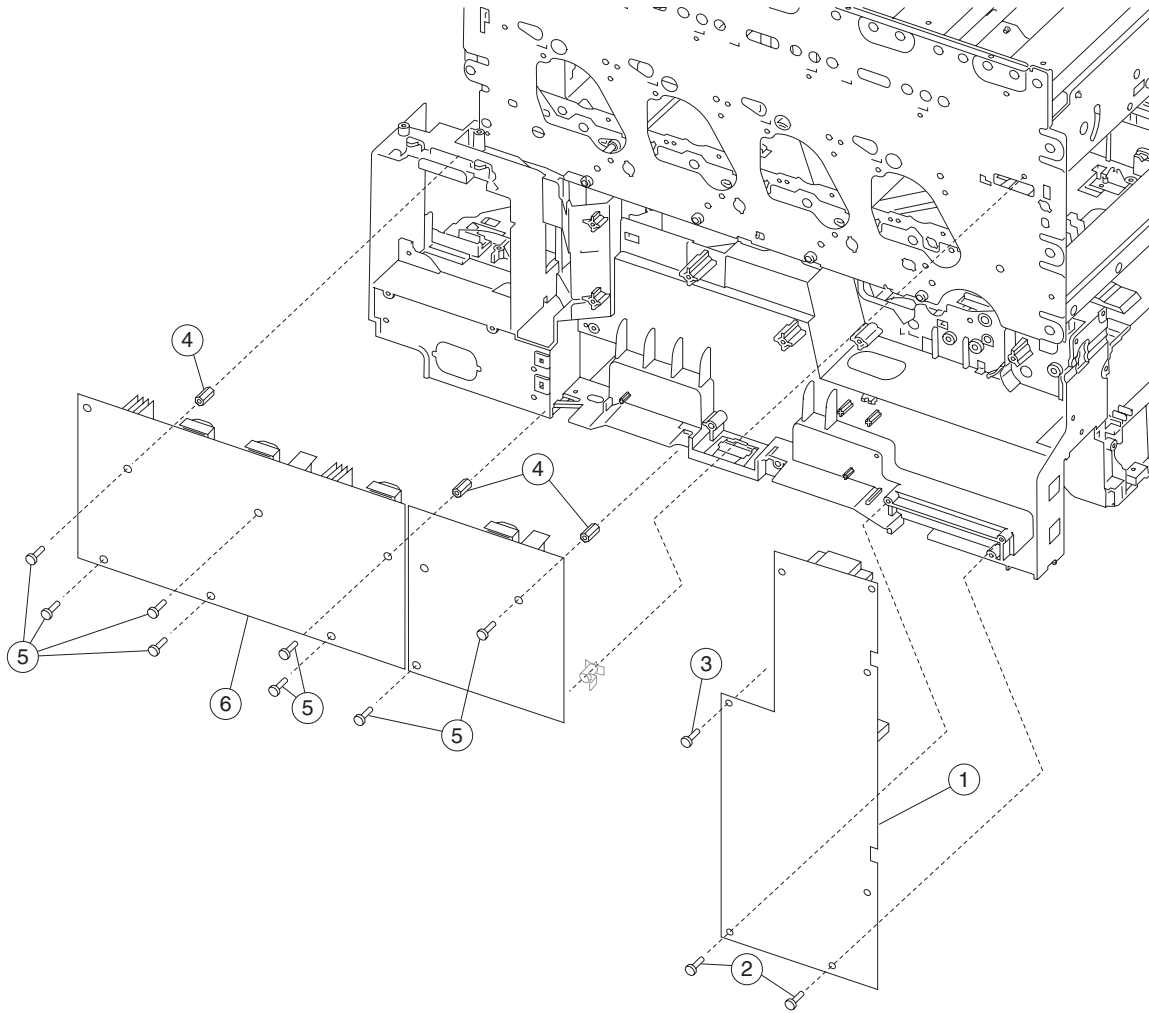
Assembly 22.1: Electronics



Assembly 22.1: Electronics

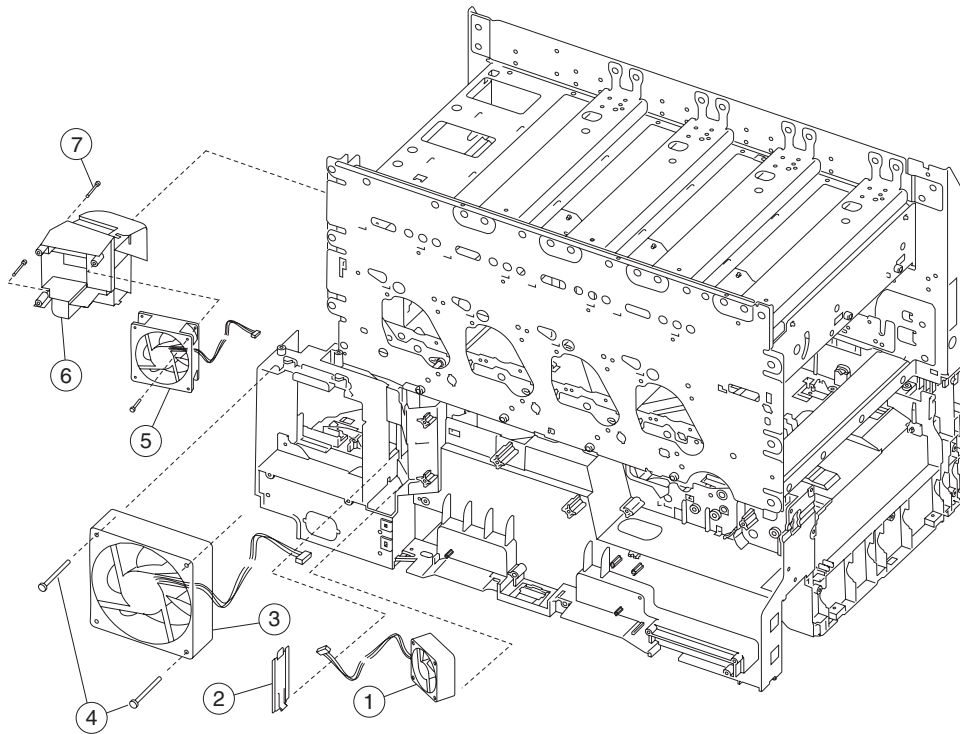
Asm-Index	Part number	Units/mach	Units/FRU	Description
22.1-1	40X1782	1		System board outer shield
2	40X1786	5		Cable clip
3	40X1783	1		System board inner shield assembly, also order cable tie parts packet (P/N 40X1648)
4	40X1785	1		Ground cable
5	40X1700	1		System board shield support with clips
6		20		Screw type 232, parts packet, 40X1676
7	40X1779	1		System board, network, also order cable tie parts packet (P/N 40X1648)
8	40X3521	1		Bar code card assembly
9	40X1508	1		128MB SDRAM card assembly
9	40X1509	1		256MB SDRAM card assembly
9	40X1510	1		512MB SDRAM card assembly
10	40X1784	1		INA blank flat shield, use when options are not installed

Assembly 22.2: Electronics



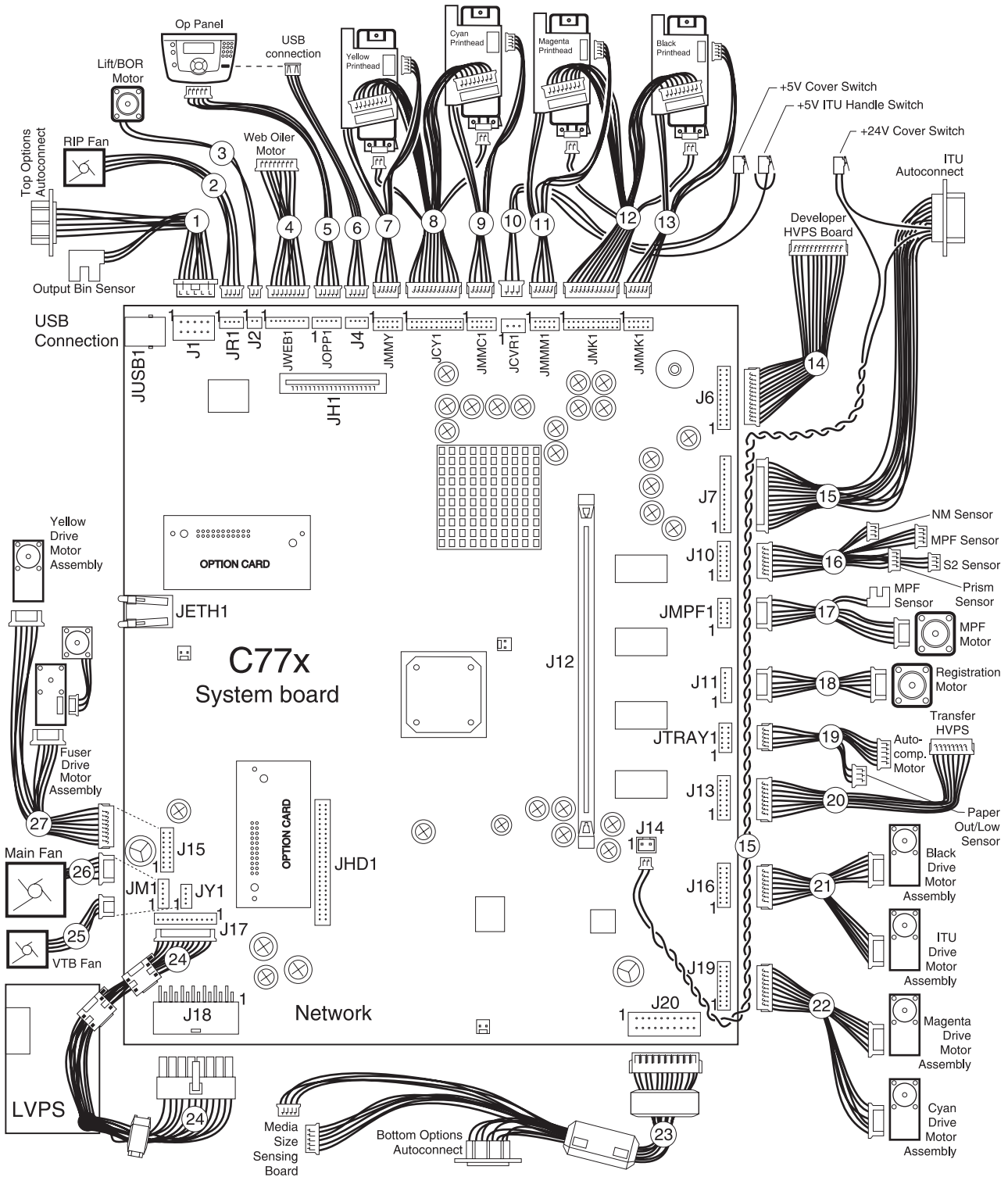
Asm-Index	Part number	Units/mach	Units/FRU	Description
22.2-1	40X1793	1		Transfer HVPS board
2		2		Screw type 323, parts packet, 40X1633 (TFR HVPS board to frame)
3		1		Screw type 324, parts packet, 40X1635 (TFR HVPS board to frame)
4	40X1794	3		Standoff, high voltage power supply—developer board
5		8		Screw type 121, parts packet, 40X1780
6	40X1795	1		Developer HVPS board, also order cable tie parts packet (P/N 40X1648)

Assembly 22.3: Electronics



Asm-Index	Part number	Units/mach	Units/FRU	Description
22.3-1	40X1800	1		VTB fan, 60 mm
2	40X1796	1		VTB fan gap cover
3	40X1798	1		Fuser fan assembly
4		2		Screws, parts packet, 40X1797 (fuser fan mounting)
5	40X1799	1		RIP fan, 92 mm
6	40X1662	1		RIP fan duct
7		2		Screw type 324, parts packet, 40X1635

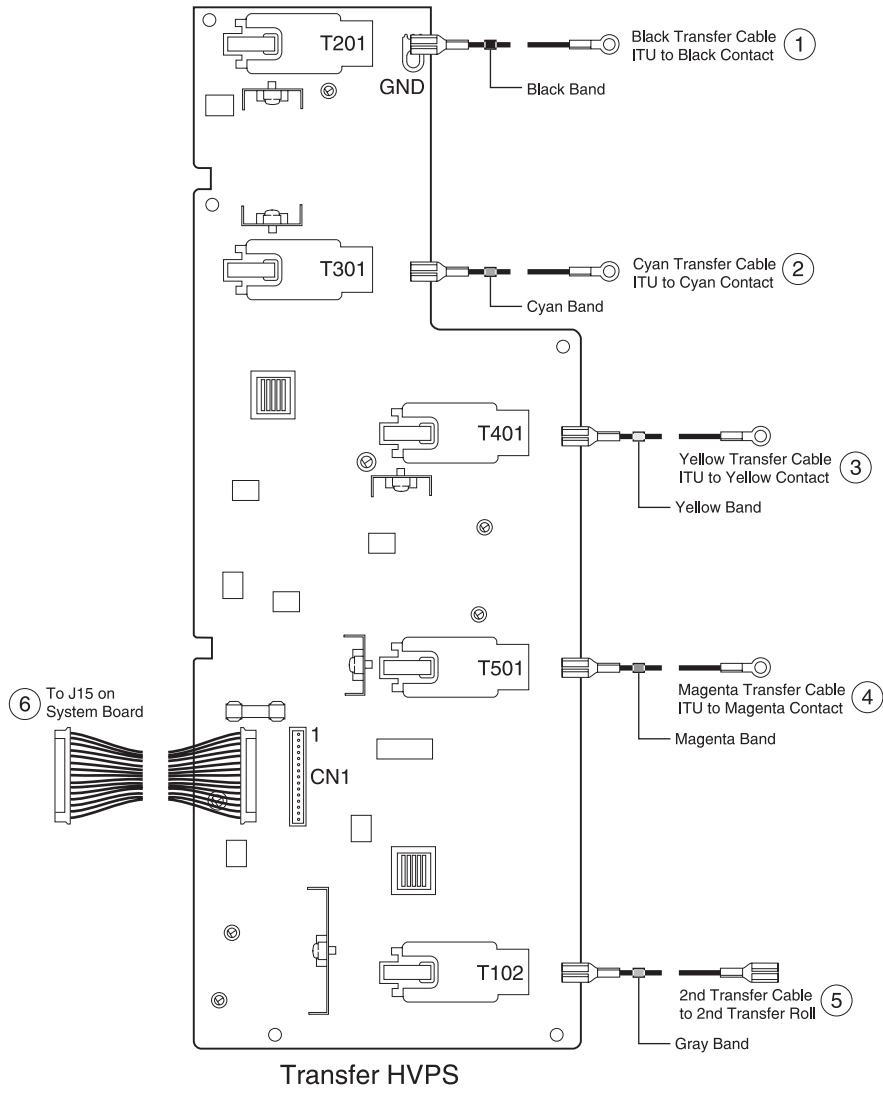
Assembly 23: Electronics—cabling interconnections 1



Assembly 23: Electronics—cabling interconnections 1

Asm-Index	Part number	Units/mach	Units/FRU	Description
23-1	40X1637	1		Top autoconnect and output bin sensor
2	40X1799	1		RIP fan, 92 mm
3	40X1758	1		Lift/BOR assembly
4	40X1807	1		Oiler motor driver cable
5	40X1801	1		Operator panel cable
6	40X1769	1		Operator panel USB cable
7	40X1683	1		Printhead assembly—yellow mirror motor (attached to yellow printhead)
8	40X1806	1		Laser cable—cyan/yellow
9	40X1683	1		Printhead assembly—cyan mirror motor (attached to cyan printhead)
10	40X1740	1		Printhead interlock cable assembly
11	40X1683	1		Printhead assembly—magenta mirror motor (attached to magenta printhead)
12	40X1805	1		Laser cable—black/magenta
13	40X1683	1		Printhead assembly—black mirror motor (attached to black printhead)
14	40X1810	1		HVPS control cable—developer
15	40X1739	1		ITU light shield assembly
16	40X1692	1		S2/XPAR/NMS/MPF cable assembly (with sensors)
17	40X1854	1		MPF motor/sensor cable
18	40X1702	1		Registration motor assembly kit
19	40X1733	1		Pick motor extension and paper level sensing cable
20	40X1809	1		HVPS control cable—transfer
21	40X1804	1		ITU and black cartridge motor cable
22	40X1803	1		Cyan and magenta cartridge motor cable
23	40X1811	1		Options bottom/media size sensing cable assembly
24	40X1781	1		LVPS assembly
25	40X1800	1		VTB fan, 60 mm
26	40X1798	1		Fuser fan assembly
27	40X1802	1		Fuser and yellow cartridge motor cable

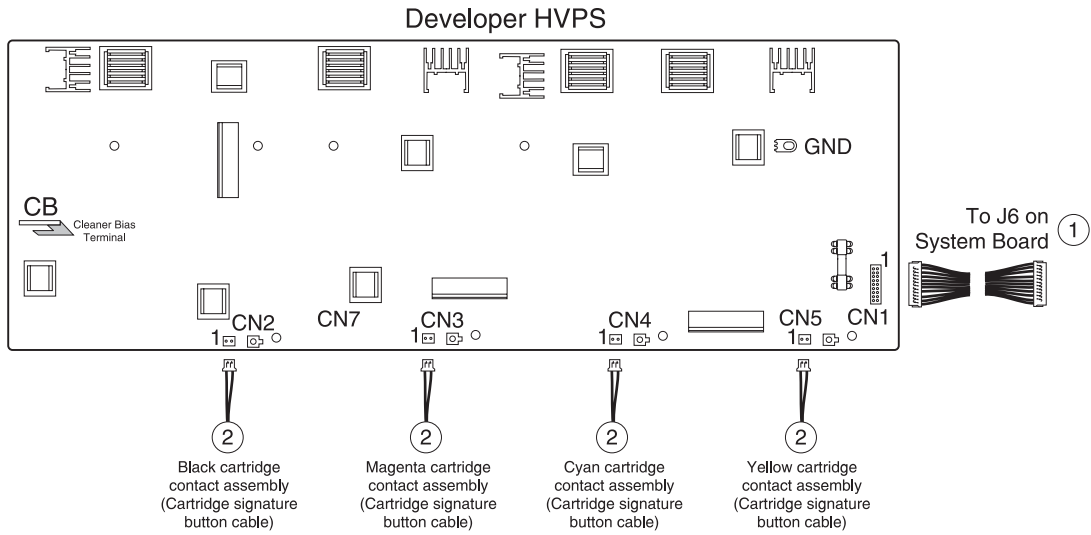
Assembly 24: Electronics—cabling interconnections 2



Assembly 24: Electronics—cabling interconnections 2

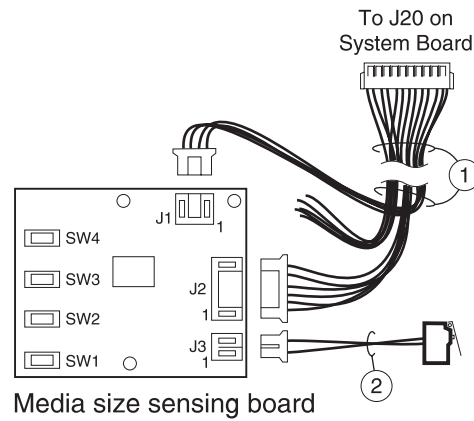
Asm-Index	Part number	Units/mach	Units/FRU	Description
24-1	40X1753	1		Black terminal contact assembly
2	40X1759	1		Cyan terminal contact assembly
3	40X1761	1		Yellow terminal contact assembly
4	40X1757	1		Magenta terminal contact assembly
5	40X1812	1		Second transfer voltage cable assembly
6	40X1809	1		HVPS control cable—transfer

Assembly 25: Electronics—cabling interconnections 3



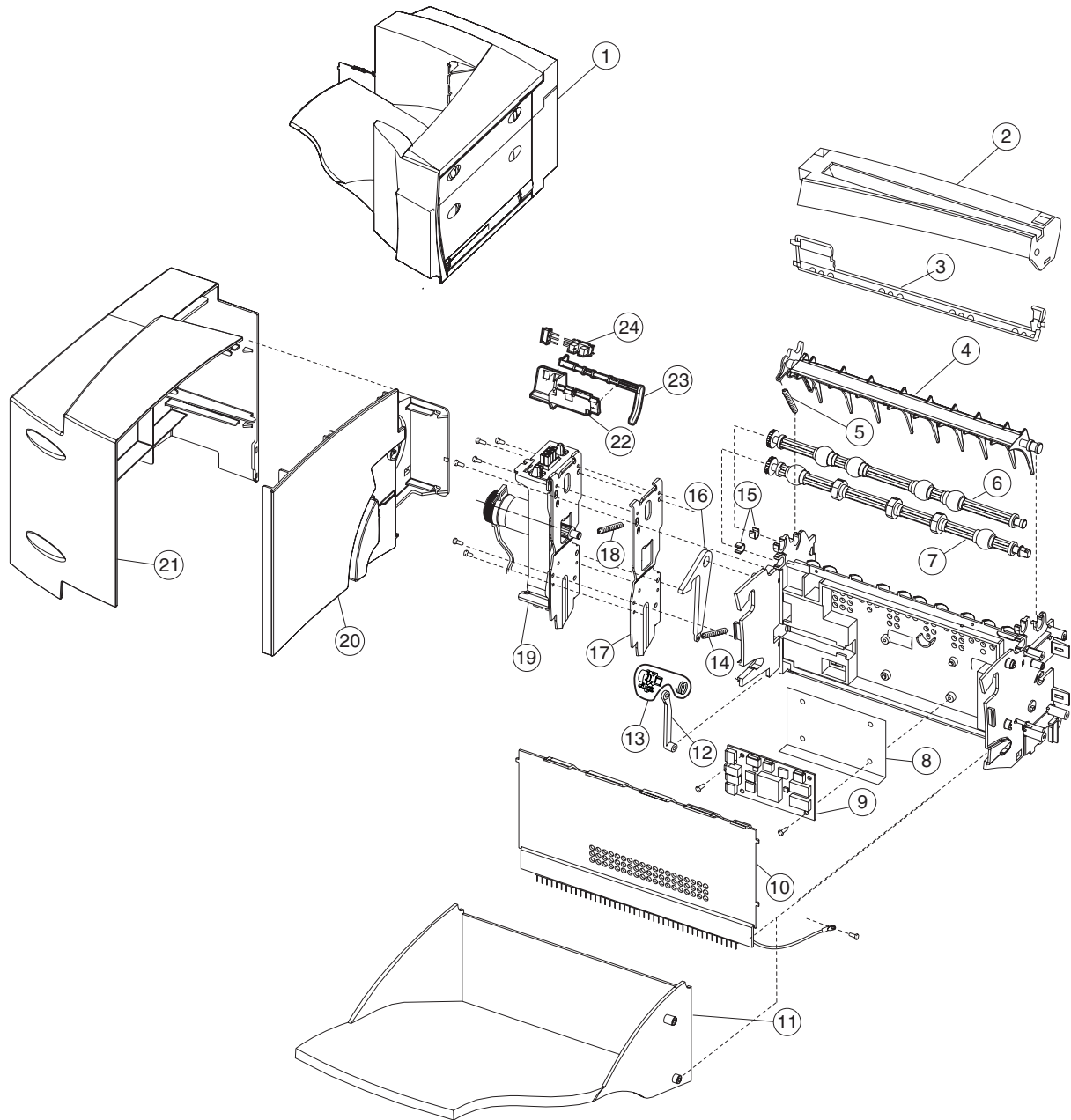
Asm-Index	Part number	Units/mach	Units/FRU	Description
25-1	40X1810	1		HVPS control cable—developer
2	40X1762	4		Cartridge contact assembly, complete

Assembly 26: Electronics—cabling interconnections 4



Asm-Index	Part number	Units/mach	Units/FRU	Description
26-1	40X1811	1		Options bottom/media size sensing cable assembly
2	40X1735	1		ITU drive assembly

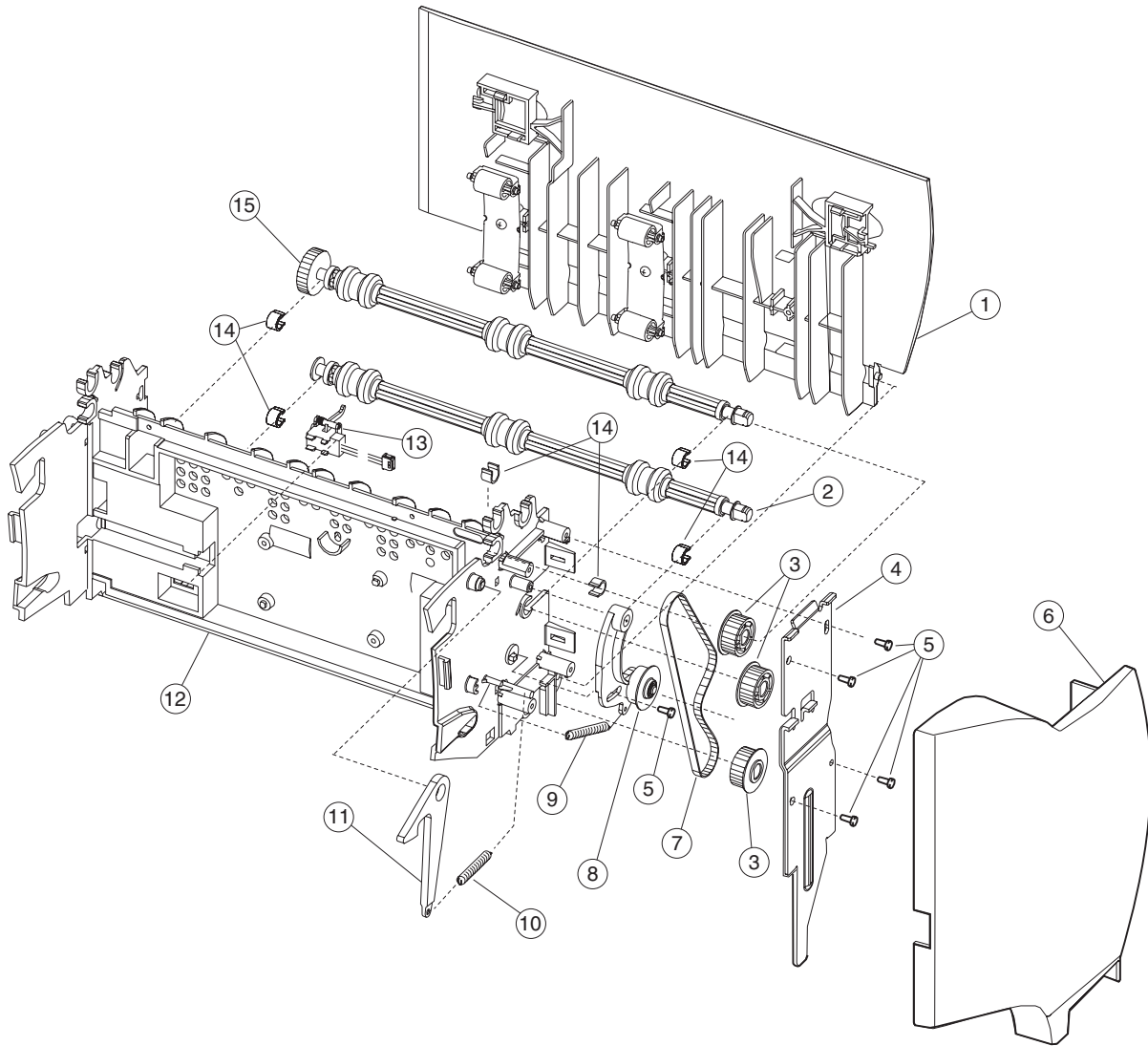
Assembly 27: Output expander



Assembly 27: Output expander

Asm-Index	Part number	Units/option	Units/FRU	Description
27-1	40X1980	1		Output expander, complete
2	40X1996	1		Right cover
3	40X1997	1		ESD brush cover
4	40X1988	1		Upper redrive deflector, also order 40X2000
5	40X2000	1		Upper diverter spring
6	40X2007	1		Exit shaft assembly, also order parts packet 40X2011
7	40X1999	1		Lower exit shaft assembly, also order parts packet 40X2011
8	40X1982	1		Output option card shield
9	40X2013	1		Output expander DC motor board
10	40X1984	1		Front control board cover
11	40X1992	1		Output expander tray
12	40X2014	1		Diverter arm
13	40X2015	1		Spring clutch assembly
14	40X2010	1		Output tray spring
15		2		Shaft bearing, parts packet, 40X2011
16	40X1991	1		Output tray latch
17	40X1981	2		Front attach bracket
18	40X2009	2		Swing arm spring
19	40X1995	1		Output expander assembly, mechanical linkage
20	40X1987	1		Rear support cover
21	40X1986	1		Rear cover
22	40X1989	1		Level sensor bracket
23	40X1990	1		Output paper level flag
24	40X2008	1		Dual bin full sensor

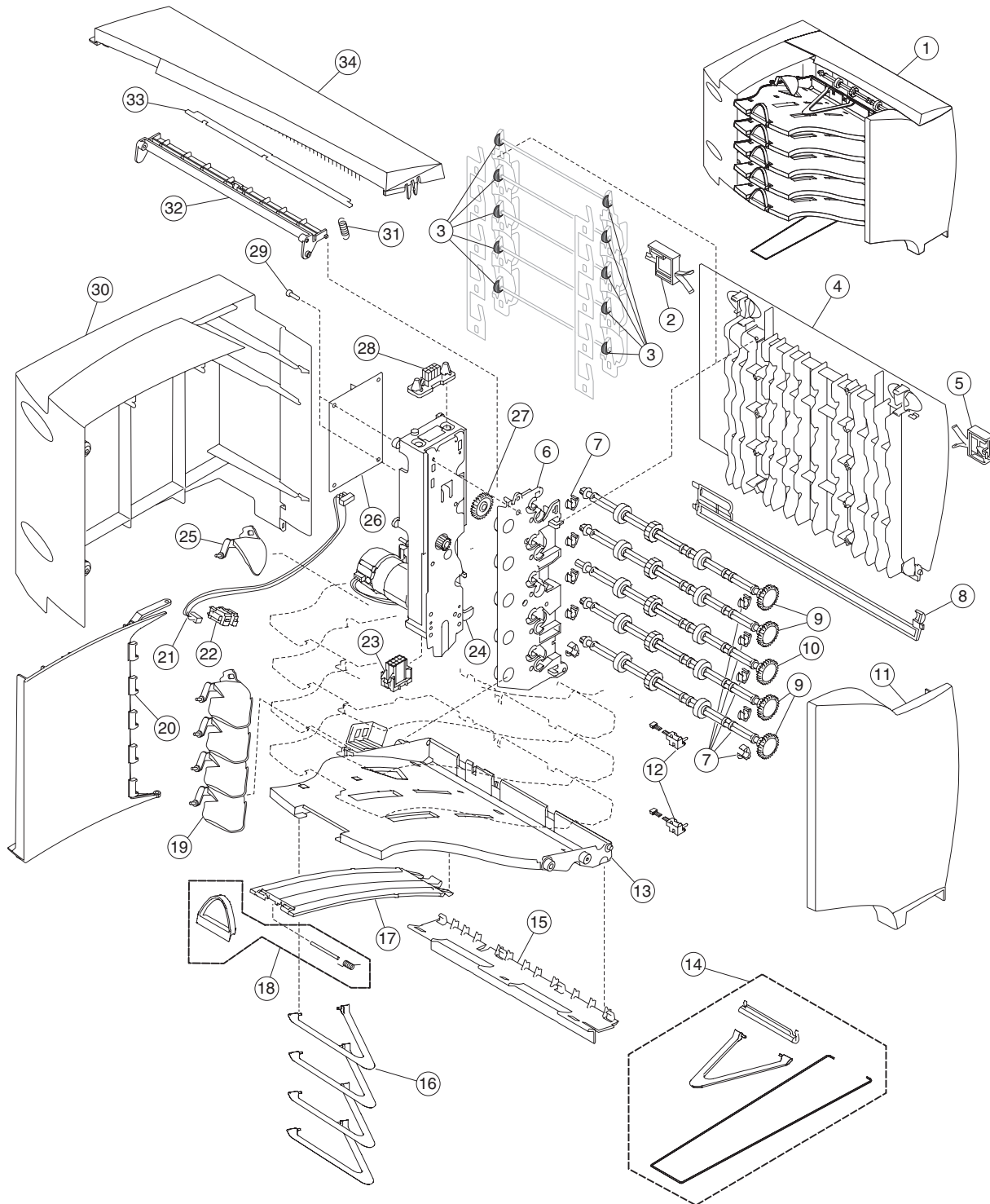
Assembly 27.1: Output expander



Assembly 27.1: Output expander

Asm-Index	Part number	Units/option	Units/FRU	Description
27.1-1	40X1994	1		Right jam access door assembly
2	40X2006	1		Lower shaft assembly, also order parts packet 40X2011
3	40X2004	3		Drive pulley
4	40X1983	2		Rear attach bracket
5		4		Screw, parts packet, 40X1813
6	40X1985	1		Front cover
7	40X2002	1		160-gear belt
8	40X2003	1		Belt idler arm assembly
9	40X2005	1		Belt tensioner spring
10	40X2010	1		Output tray spring
11	40X1991	1		Output tray latch
12	40X1993	1		Frame assembly
13	40X2001	1		Output expander pass thru sensor
14		6		Shaft bearing, parts packet, 40X2011
15	40X2012	1		Shaft assembly, middle 40T, also order parts packet 40X2011
NS	40X1998	1		Multi-bin stacker kit

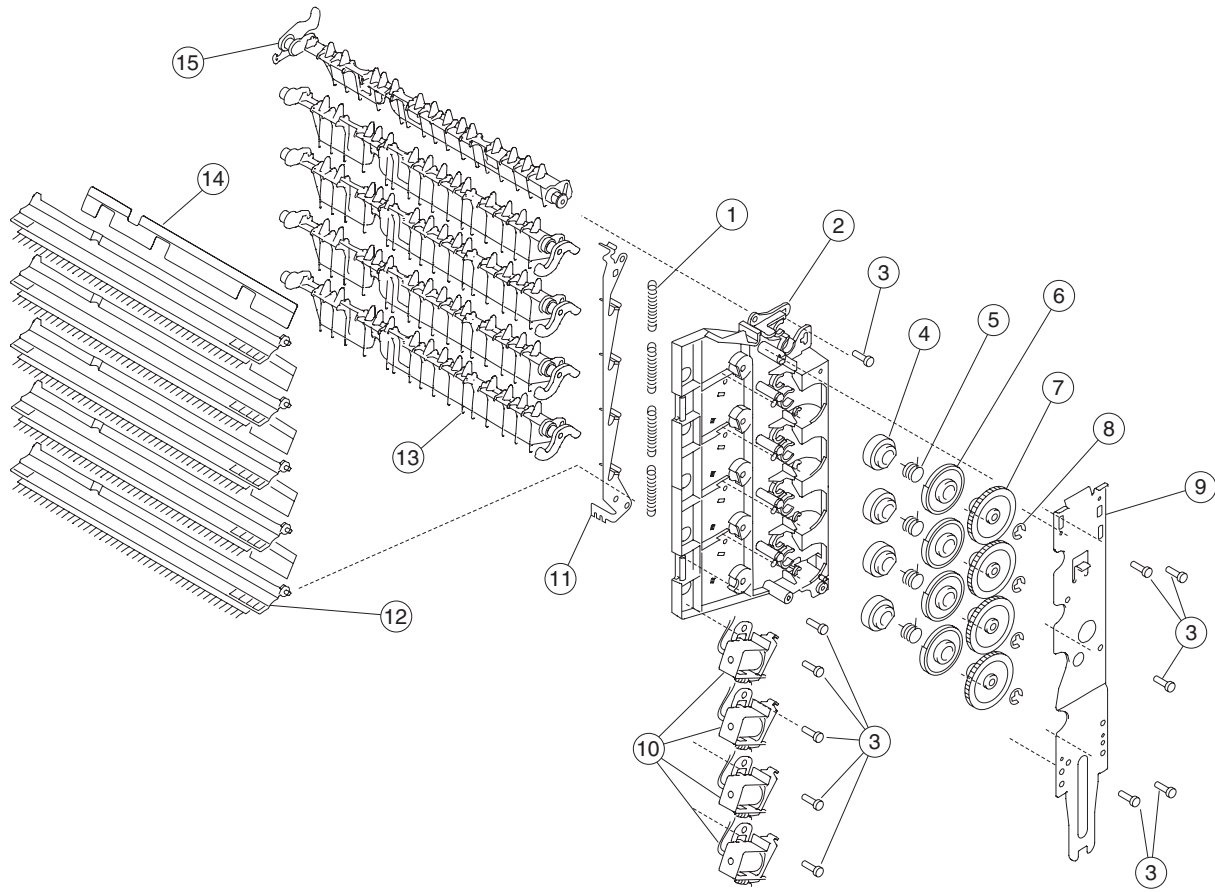
Assembly 28: 5-Bin mailbox



Assembly 28: 5-Bin mailbox

Asm-Index	Part number	Units/ option	Units/ FRU	Description
28-1	40X2020	1		5-Bin mailbox, complete
2	40X2034	1		Access door rear latch
3	40X2049	1		Rear access door roller assembly
4	40X2032	1		Front door
5	40X2024	1		Access door front latch
6	40X2044	1		Left frame assembly w/clutch assembly
7	40X2056	1		Drive shaft bushing packet
8	40X2033	1		Right cover
9	40X2054	4		Drive shaft assembly
10	40X2055	1		Drive with gear shaft assembly
11	40X2029	1		Front cover
12	40X2066	2		5-bin mailbox pass thru sensor
13	40X2028	5		Paper cap tray
14	40X2043	1		5-bin mailbox assembly kit
15	40X2027	1		Bail attach bracket assembly
16		1		Bail, order P/N 40X2043, 5-bin mailbox assembly kit
17	40X2035	5		Paper tray support
18	40X2042	5		Paper tray stop assembly
19	40X2038	4		Bin full flag
20	40X2030	1		Rear structural cover
21	40X2023	5		Tray media level sensor cable
22	40X2063	5		Dual bin level sensor
23	40X2052	1		Lower autoconnect cable assembly
24	40X2050	1		Main DC drive assembly
25	40X2026	1		Bin full flag
26	40X2064	1		5-bin mailbox system board assembly
27	40X2067	1		Drive gear
28	40X2053	1		Upper autoconnect cable assembly
29		12		Screw, parts packet, 40X2046 (board mounting)
30	40X2031	1		Rear cover
31	40X2000	1		Upper diverter spring
32	40X2025	1		Top bin cover
33	40X2040	1		Wire cover
34	40X1638	1		Redrive cap cover assembly

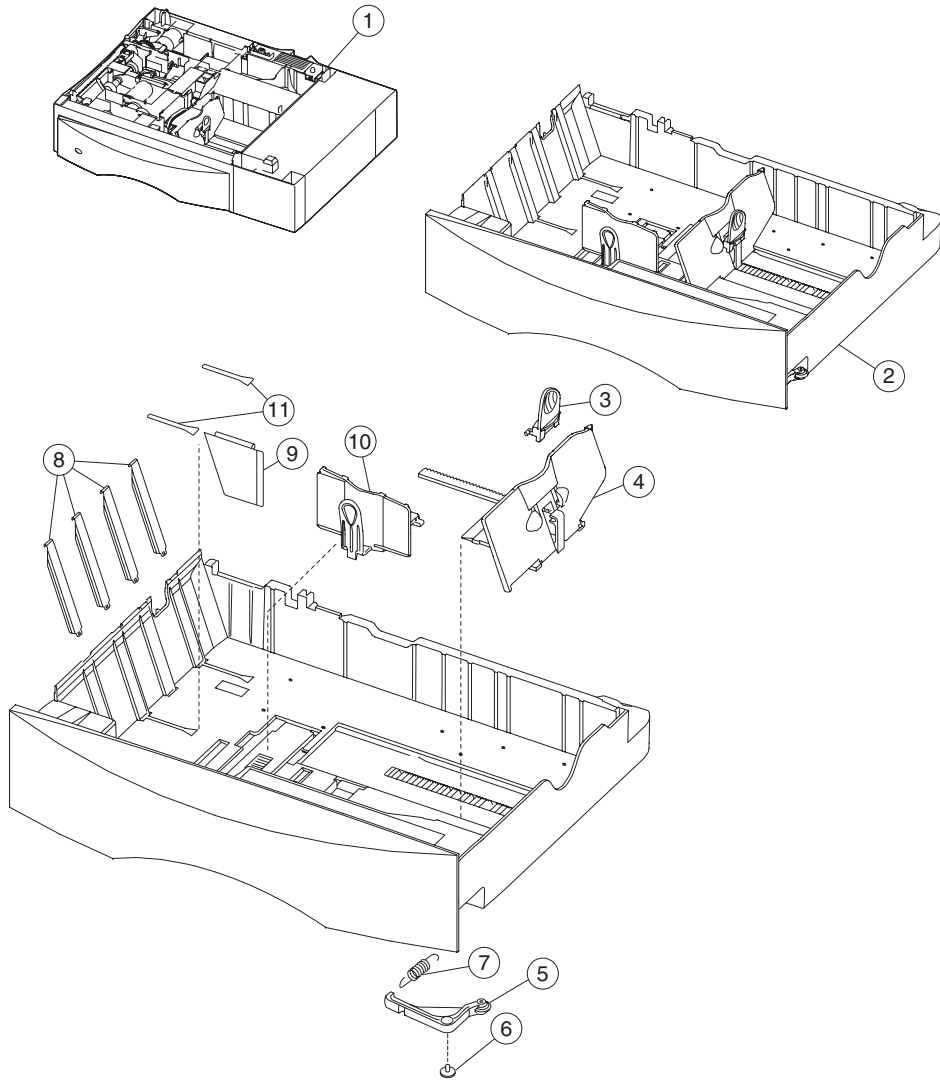
Assembly 28.1: 5-Bin mailbox



Assembly 28.1: 5-Bin mailbox

Asm-Index	Part number	Units/option	Units/FRU	Description
28.1-1	40X2065	4		Diverter spring
2	40X2039	1		Right side frame assembly
3		12		Screw type 323, parts packet, 40X1633
4	40X2057	4		Diverter actuator cam
5	40X2060	4		Diverter actuator spring
6	40X2058	4		Diverter actuator latch
7	40X2059	4		Diverter actuator arbor
8	40X2069	4		C-clip retainer
9	40X2021	1		Attach front bracket
10	40X2061	4		Diverter solenoid
11	40X2022	1		Static ground contact
12	40X2041	5		Paper exit deflector w/brush
13	40X2037	4		Paper deflector
14	40X2068	4		Deflector
15	40X2036	1		Paper top bin deflector
NS	40X1968	1		Drive gear
NS	40X2047	10		Roller retainer

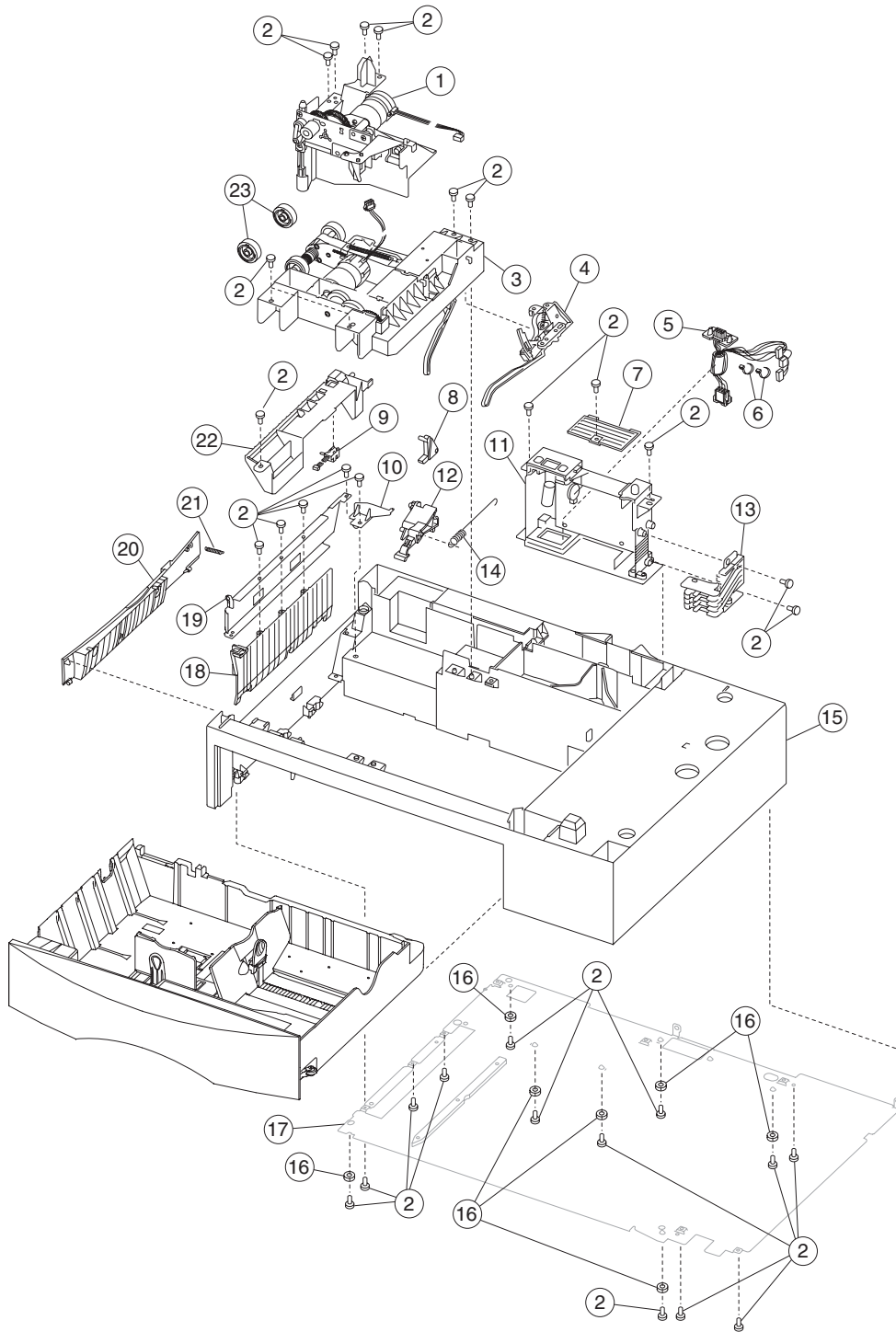
Assembly 29: 500-Sheet drawer option



Assembly 29: 500-Sheet drawer option

Asm-Index	Part number	Units/option	Units/FRU	Description
29-1	40X1880	1		500-Sheet drawer option, complete
2	40X1728	1		500-Sheet tray assembly
3	40X1720	1		Back restraint latch
4	40X1719	1		Back restraint
5	40X1723	1		Tray bias bellcrank assembly
6		1		Screw type 312/322/412/423, parts packet, 40X1691
7	40X1725	1		Tray bias spring
8	40X1722	1		Wear strip
9	40X1721	1		Tray wear clip
10	40X1885	1		Tray wear clip
11	40X1727	2		Restraint pad

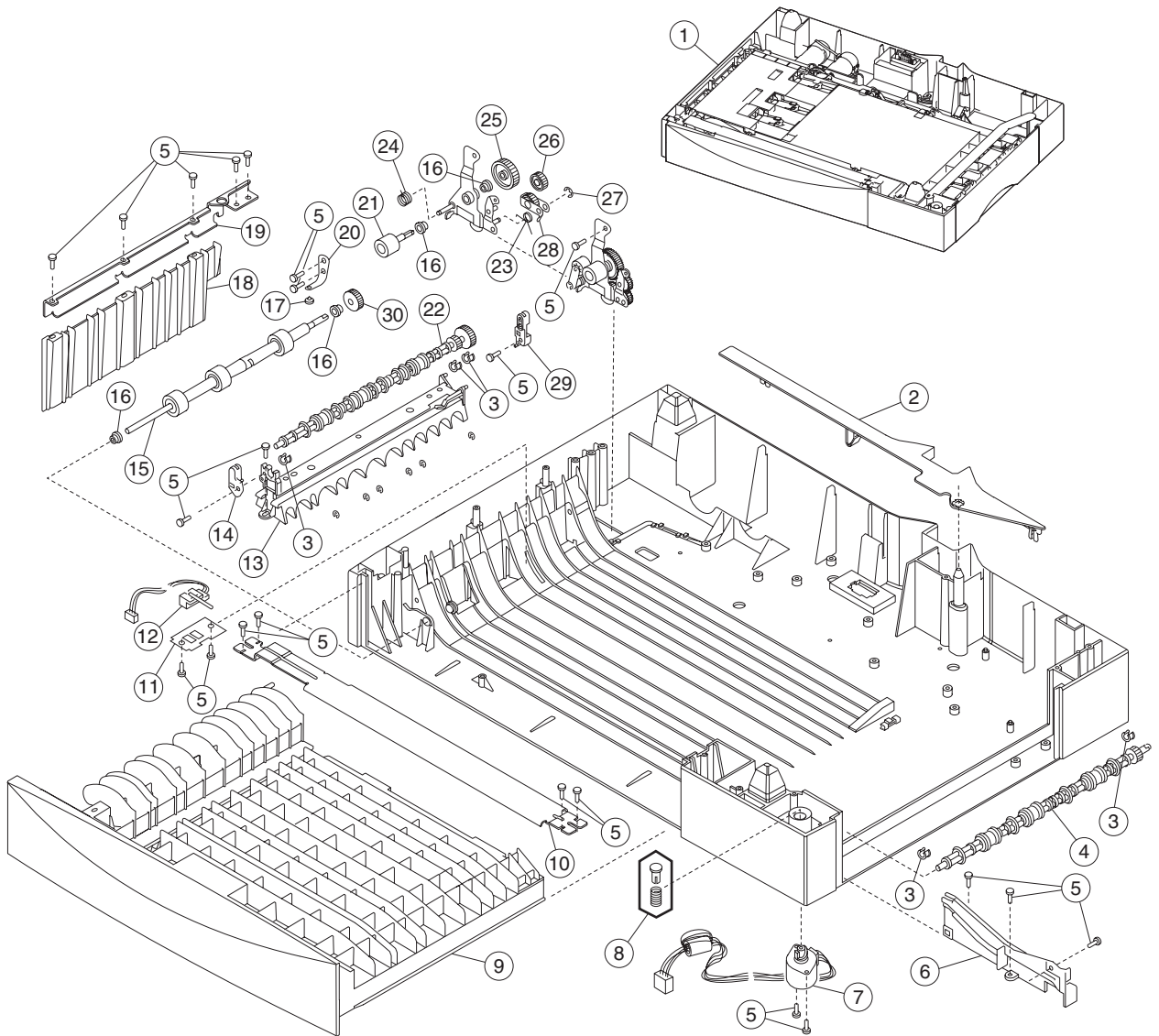
Assembly 29.1: 500-Sheet drawer option



Assembly 29.1: 500-Sheet drawer option

Asm-Index	Part number	Units/option	Units/FRU	Description
29.1-1	40X1901	1		Drive assembly, 500 option 2
2		31		Screw type 323, parts packet, 40X1633
3	40X1910	1		500-Sheet option tray pick assembly
4	40X1898	1		Paper level sensing assembly
5	40X1938	1		Autoconnect cable assembly
6	40X1648	1	6	Cable tie (6 in a pack)
7	40X1908	1		Frame cover
8	40X1730	1		Tray interlock bellcrank
9	40X1891	1		Pass thru sensor
10	40X1896	1		Hinge
11	40X1894	1		Electronics/size sensing assembly with system board
12	40X1741	1		Pick arm lift bellcrank
13	40X1899	1		Media size sensing assembly
14	40X1734	1		Bellcrank lift spring
15	40X1907	1		500-Sheet base assembly
16	40X1601	7		Machine pad
17	40X1903	1		Plate, 500-Sheet support assembly
18	40X1909	1		Paper guide
19	40X1897	1		Wall support plate
20	40X1911	1		Base door assembly
21	40X1895	1		500-sheet option spring
22	40X1906	1		500-Sheet option deflector
23	40X1765	2		Pick roll tires (2 per pack)
NS	40X1671	4		Cable tie (6 in pack)

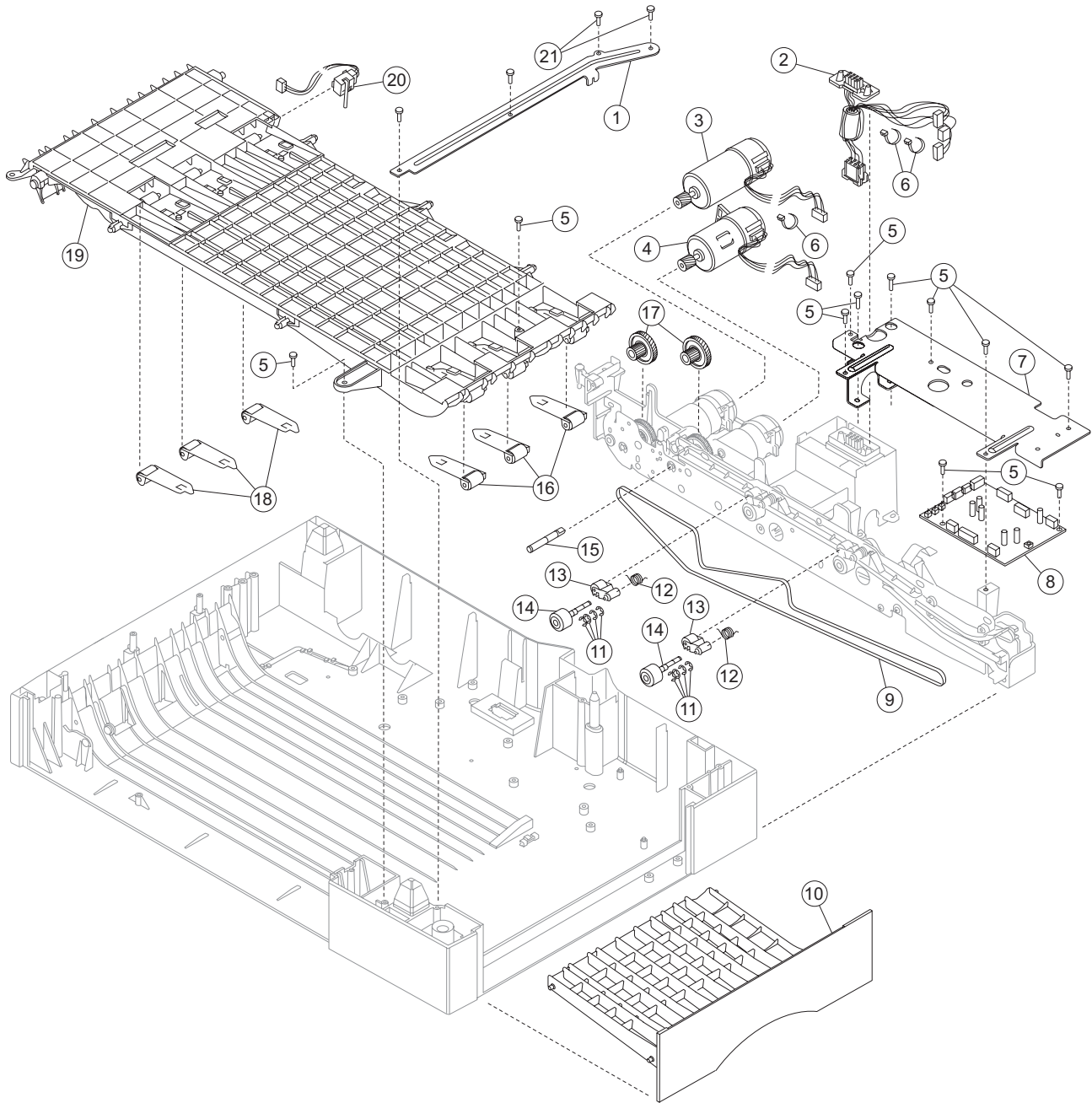
Assembly 30: Duplex option



Assembly 30: Duplex option

Asm-Index	Part number	Units/option	Units/FRU	Description
30-1	40X1920	1		Duplex option, complete
2	40X1961	1		Back cover
3	40X1965	5		Redrive bearing
4	40X1930	1		Duplex entry shaft assembly
5		20		Screw type 312/322/412/423, parts packet, 40X1691
6	40X1923	1		Right side front tray guide
7	40X1956	1		Deflector actuator assembly
8	40X1957	1		Deflector follower assembly
9	40X1959	1		Duplex front jam tray assembly
10	40X1935	1		Duplex support bracket
11	40X1964	1		Sensor mount plate
12	40X1927	1		Duplex exit sensor
13	40X1924	1		Duplex shaft mount
14	40X1954	1		Front decurl assembly
15	40X1928	1		F/R backup shaft assembly
16	40X1951	3		5 mm bushing
17	40X1948	1		Brake pad
18	40X1963	1		Duplex paper guide
19	40X1933	1		Wall support
20	40X1950	1		Brake spring
21	40X1947	1		Pass thru shaft assembly
22	40X1926	1		Duplex shaft assembly
23	40X1944	1		Pass thru spring
24	40X1945	1		Aligner arm spring
25	40X1942	1		Spur drive gear
26	40X1943	2		26T duplex gear
27				Retainer, parts packet, 40X1966
28	40X1946	1		Bellcrank assembly
29	40X1949	1		Decurl BAC assembly
30	40X1929	1		40T shaft drive F/R gear
NS	40X1955	1		Pulley washer

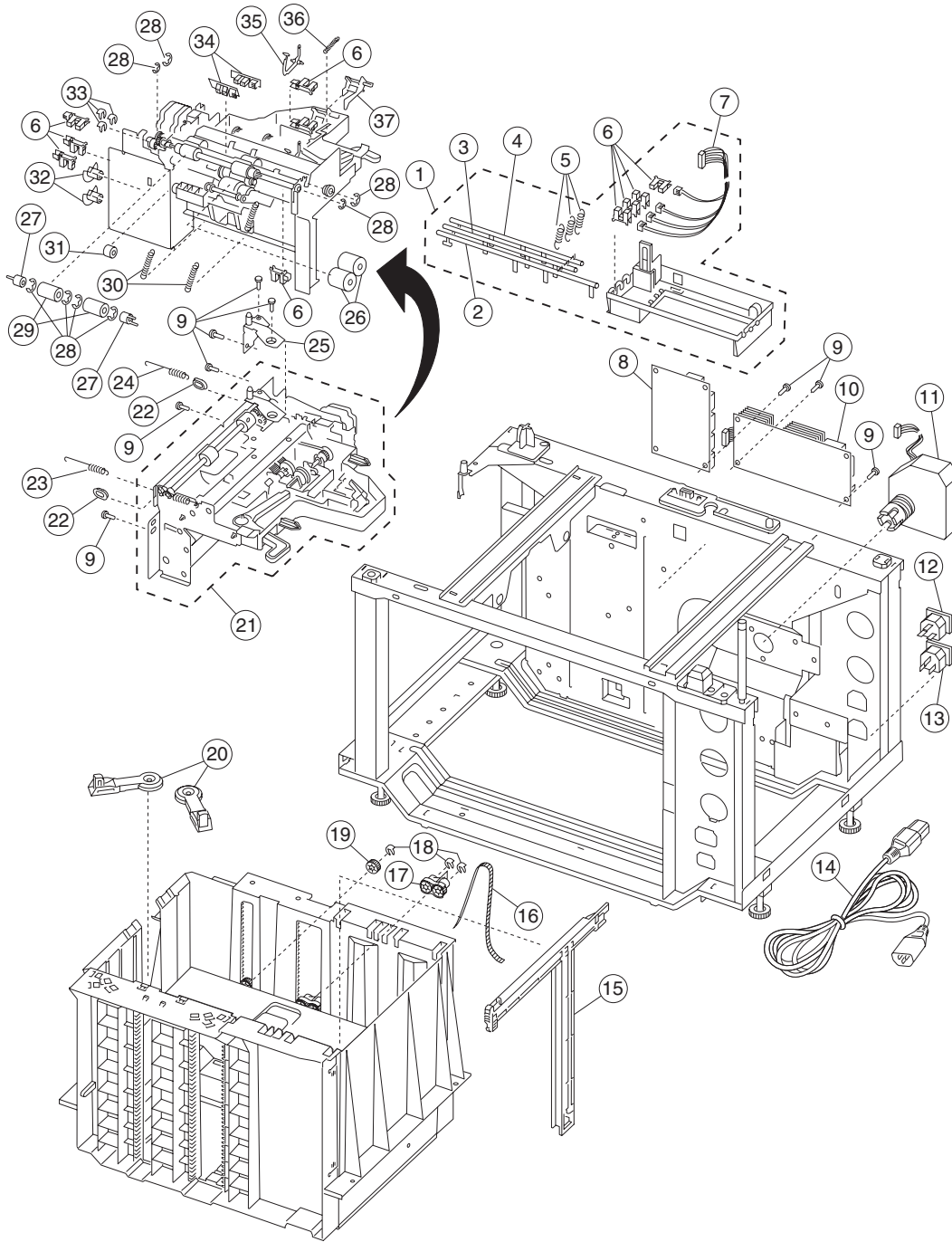
Assembly 30.1: Duplex option



Assembly 30.1: Duplex option

Asm-Index	Part number	Units/ option	Units/ FRU	Description
30.1-1	40X1934	1		Duplex support plate
2	40X1938	1		Autoconnect cable assembly
3	40X1939	1		DC forward/reverse motor assembly
4	40X1940	1		DC duplex feed motor
5		1		Screw type 323, parts packet, 40X1633
6	40X1648	6		Cable tie (6 in pack)
7	40X1937	1		Back support
8	40X1922	1		Duplex card assembly
9	40X1958	1		Transfer belt
10	40X1960	1		Right jam clearance tray assembly
11	40X1969	1		C-clip retainer
12	40X1953	2		Aligner spring
13	40X1967	2		Paper guide assembly
14	40X1941	2		Drive alignment shaft assembly
15	40X1952	1		Reduction gear shaft
16	40X1931	3		Right backup spring assembly
17	40X1968	2		Drive gear
18	40X1932	3		Left backup spring assembly
19	40X1962	1		Upper rib assembly
20	40X1925	1		Duplex input sensor
21				Screw type 324, parts packet, 40X1635

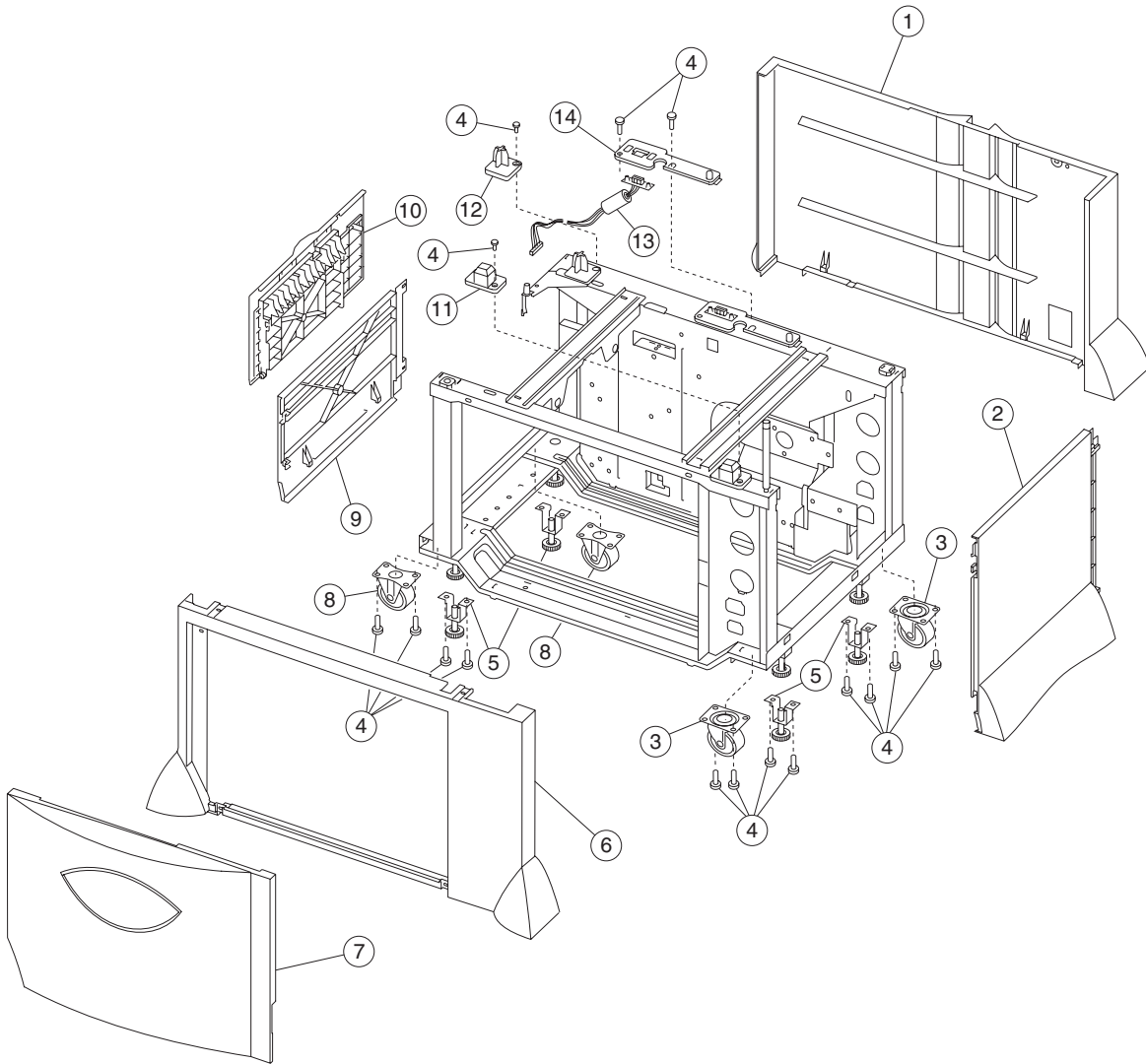
Assembly 31: High-capacity input tray (HCIT)



Assembly 31: HCIT

Asm-Index	Part number	Units/option	Units/FRU	Description
31-1	40X2137	1		Paper size sensor box assembly
2	40X2111	1		Flag, paper size F
3	40X2112	1		Flag, paper size C
4	40X2110	1		Flag, paper size R
5	40X2113	3		Spring, paper size flag
6	40X2108	10		Sensor, photo interrupter
7	40X2103	1		Paper size sensors cable
8	40X2095	1		System control board
9				Screw type 312/322/412/423, parts packet, 40X1691
10	40X2096	1		LVPS
11	40X2105	1		Elevator motor assembly
12	40X2097	1		AC power outlet
13	40X2098	1		AC power inlet
14	40X2091	1		AC power cord jumper
15	40X2115	1		Paper tray guide
16	40X2134	1		Elevator lift belt
17	40X2136	1		Elevator lift
18	40X2139	3		Ring 7, elevator lift gear/elevator lift
19	40X2135	1		Elevator lift gear
20	40X2114	2		Paper tray arms
21	40X2116	1		Feed unit, complete assembly
22	40X2118	2		Bushing
23	40X2124	1		Front feed unit spring
24	40X2125	1		Rear feed unit spring
25	40X2138	1		Feed cover
26	40X2131	2		Separation/torque roller
27	40X2120	2		Feed cam
28				E-clips, parts packet, 40X2122
29	40X2119	2		Feed roller
30	40X2121	2		Feed unit spring
31	40X2123	1		060 bushing
32	40X2133	2		Emitter timing wheel
33	40X2126	3		Plastic 5W clip
34	40X2117	2		Special optical sensors
35	40X2127	1		Level sensor flag
36	40X2129	1		Extension spring
37	40X2128	1		Near empty sensor flag
NS	40X2090	1		HCIT option

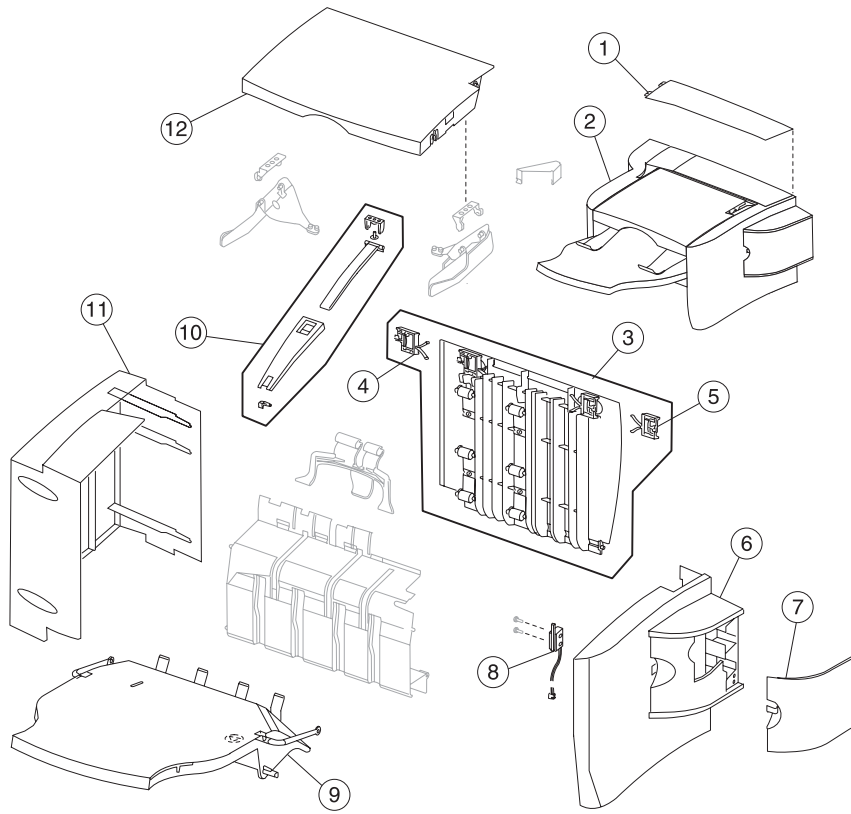
Assembly 31.1: High-capacity input tray (HCIT)



Assembly 31.1: HCIT

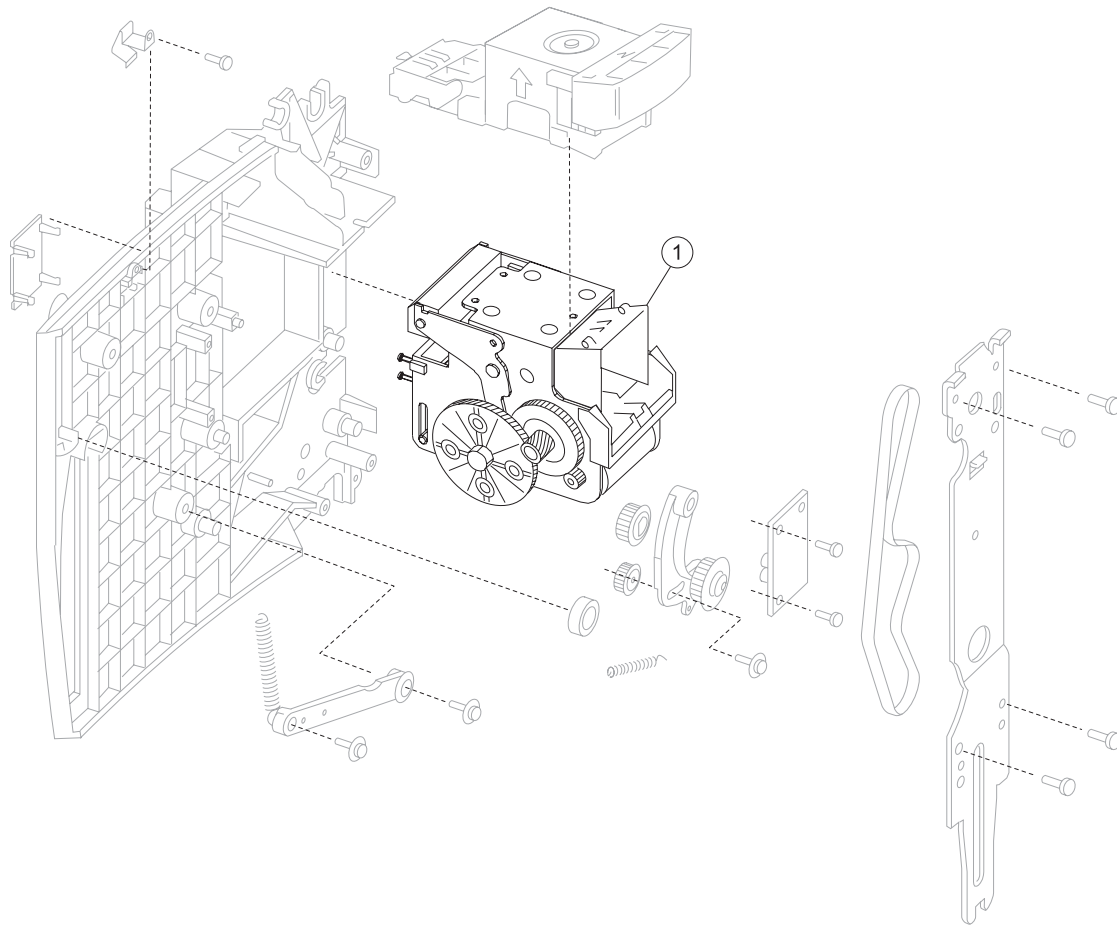
Asm-Index	Part number	Units/option	Units/FRU	Description
31.1-1	40X2145	1		Rear cover
2	40X2143	1		Right side cover
3	40X2092	2		Caster, movable
4		16		Screw type 312/322/412/423, parts packet, 40X1691
5	40X2094	4		F adjuster
6	40X2141	1		Front cover
7	40X2142	1		Cover, main CA
8	40X2093	2		Caster, fixed
9	40X2144	1		Left side cover
10	40X2146	1		Upper left side jam cover
11	40X2100	1		Locating pin, options front right
12	40X2099	1		Locating pin, options rear left
13	40X2106	1		Options autoconnect cable assembly
14	40X2109	1		Options cable mounting plate
NS	40X2101	1		Feed unit special sensors cable
NS	40X2102	1		Feed unit sensors cable
NS	40X2104	1		Elevator motor cable
NS	40X2107	1		Magnetic latch
NS	40X2130	1		Tray present lever
NS	40X2132	9		Cable clamp
NS	40X2140	1		Stabilizer kit with mounting screws

Assembly 32: StapleSmart finisher



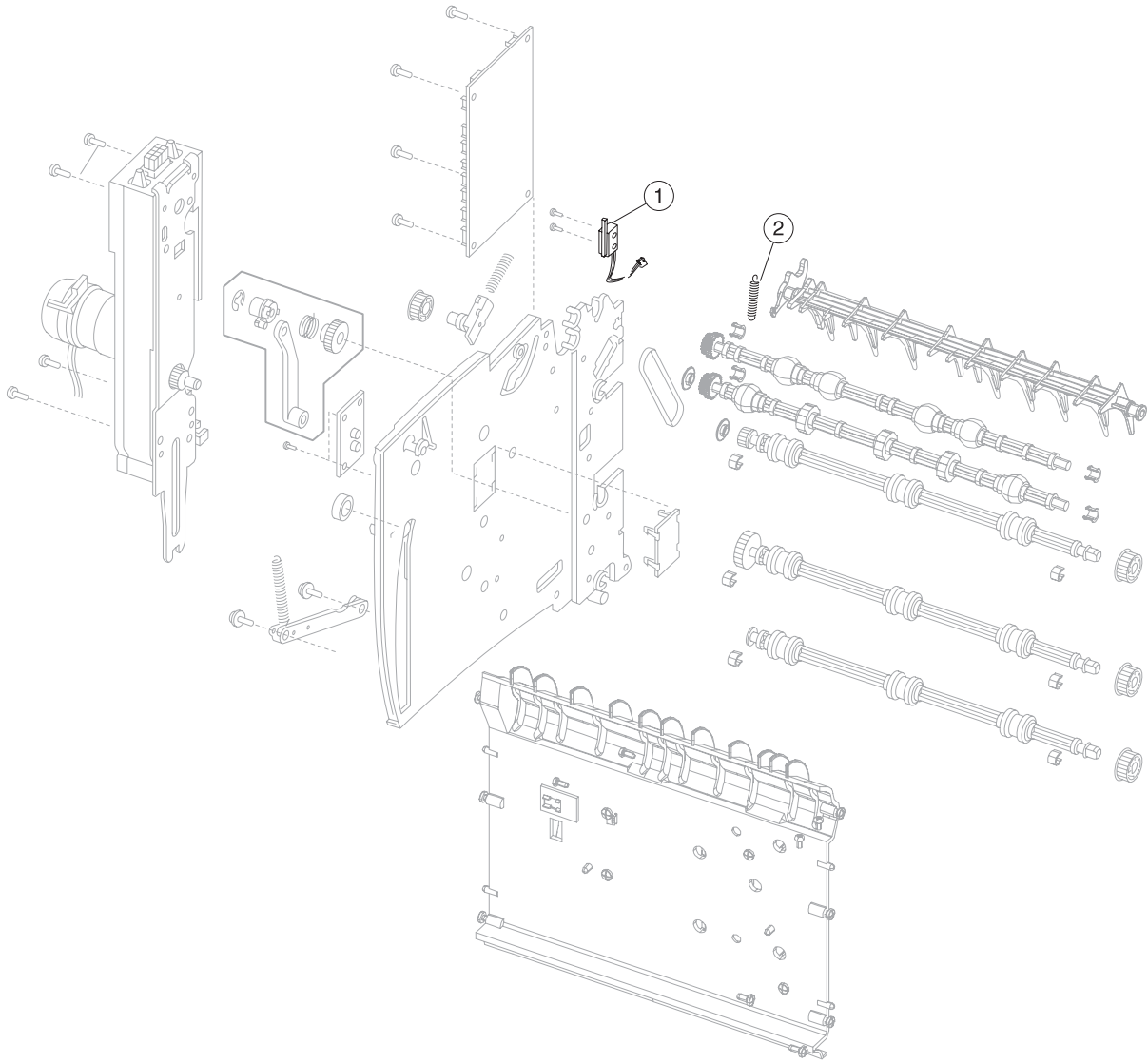
Asm-Index	Part number	Units/option	Units/FRU	Description
32—1	40X2150		1	Complete option
2	40X2155	1	1	Jam access door
3	40X2156	2	1	Front door latch
4	40X2157	1	1	Rear door latch
5	40X2152	1	1	Front assembly cover
6	40X2153	1	1	Stapler access cover
7	40X3274	1	1	Stapler access door switch assembly
8	40X3277	1	1	Output assembly tray
9	56P4219	1	1	Stacking bail kit
10	40X2151	1	1	Rear assembly cover
11	40X2154	1	1	Top assembly cover

Assembly 32.1: StapleSmart finisher



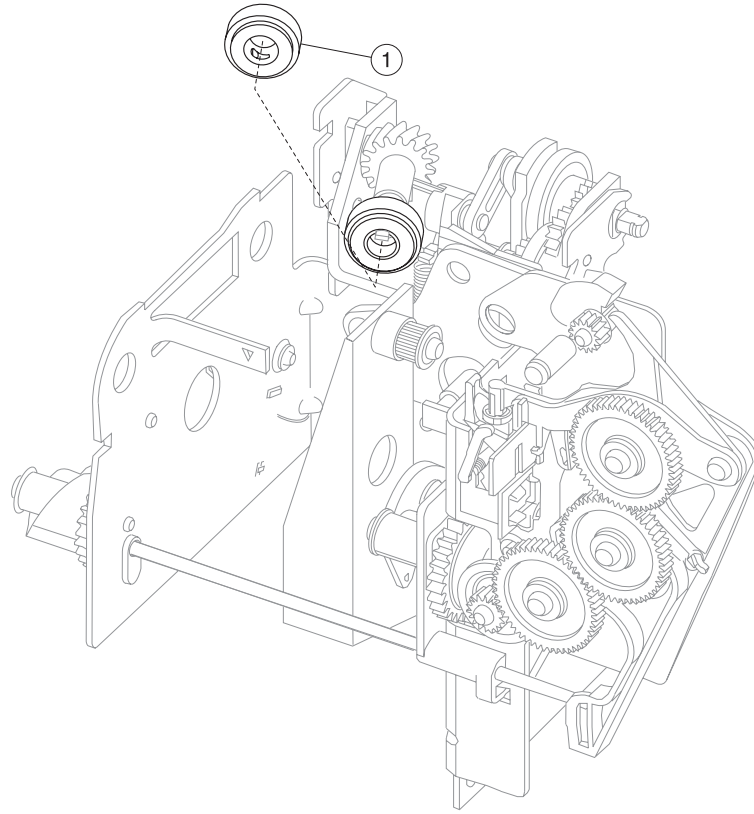
Asm-Index	Part number	Units/option	Units/FRU	Description
32.1—1	40X3278		1	Stapler assembly

Assembly 32.2: StapleSmart finisher



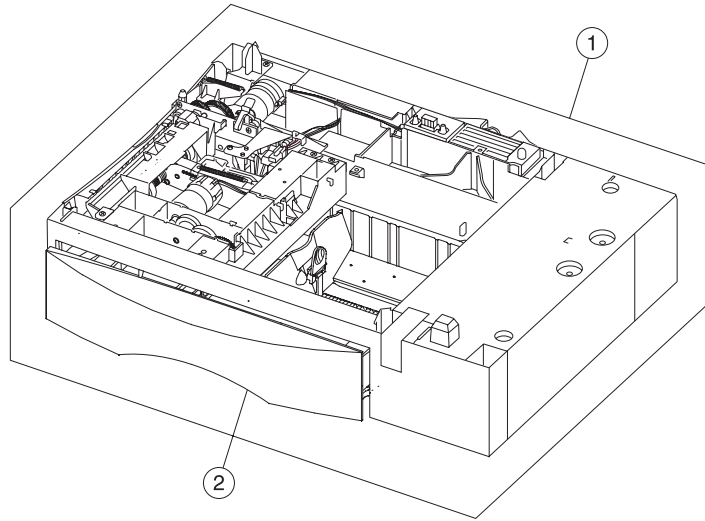
Asm-Index	Part number	Units/ option	Units/ FRU	Description
32.2—1	40X3279	1	1	Switch assembly, safety cover open
2	99A0104	1	1	Spring, upper diverter

Assembly 32.3: StapleSmart finisher



Asm-Index	Part number	Units/option	Units/FRU	Description
32.3—1	40X2158	1	1	StapleSmart wheels maintenance kit

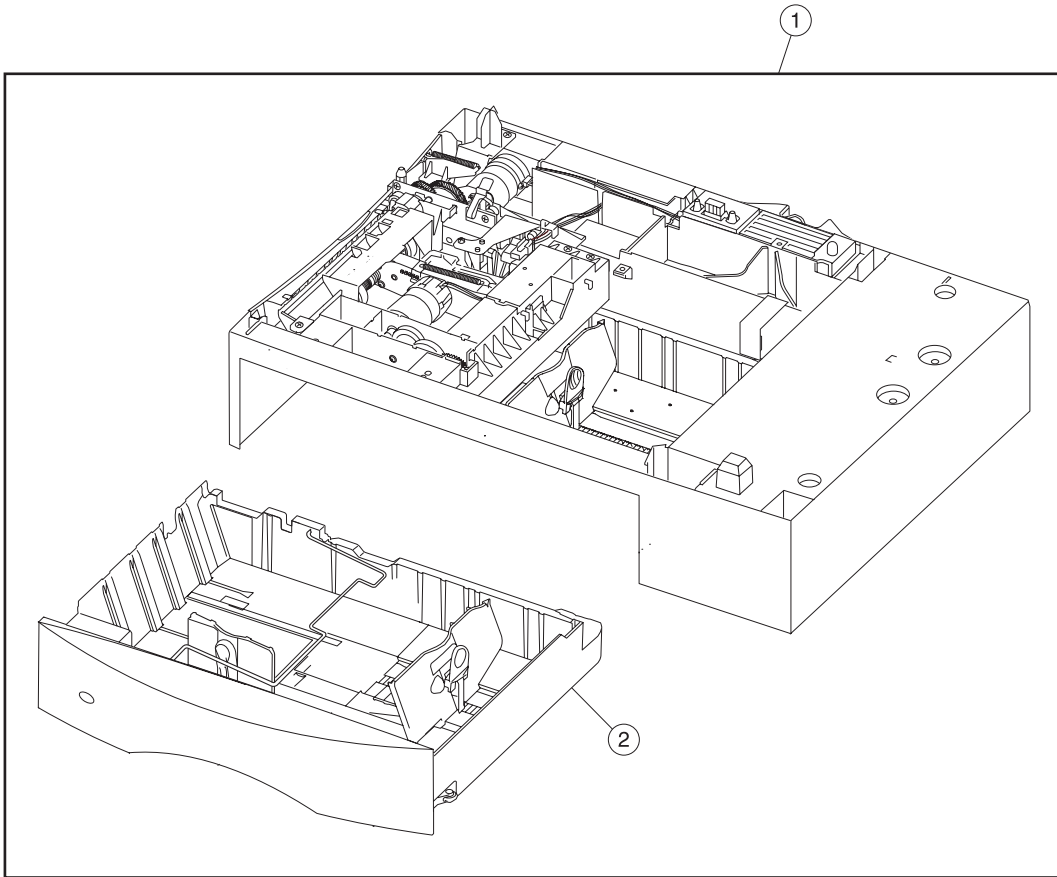
Assembly 33: Envelope option



Assembly 33: Envelope option

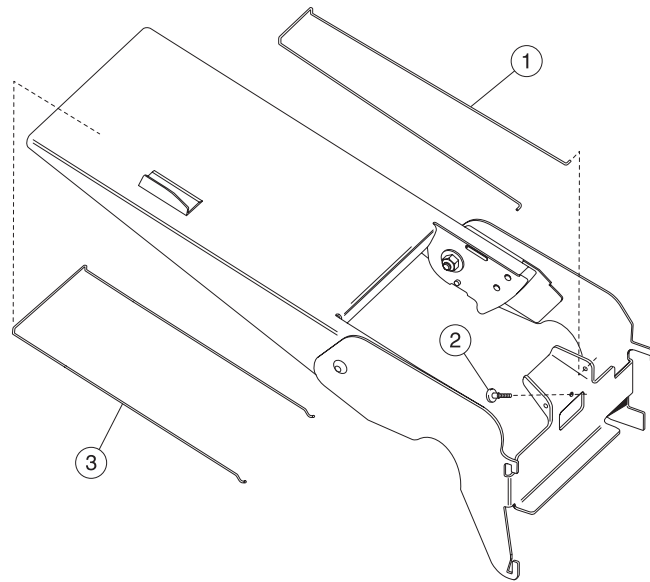
Asm-Index	Part number	Units/option	Units/FRU	Description
33-1	40X2081	1		Envelope option, complete
2	40X2082	1		Envelope tray assembly
NS	40X2080	1		Envelope feeder pick tire

Assembly 34: Outdoor media tray option



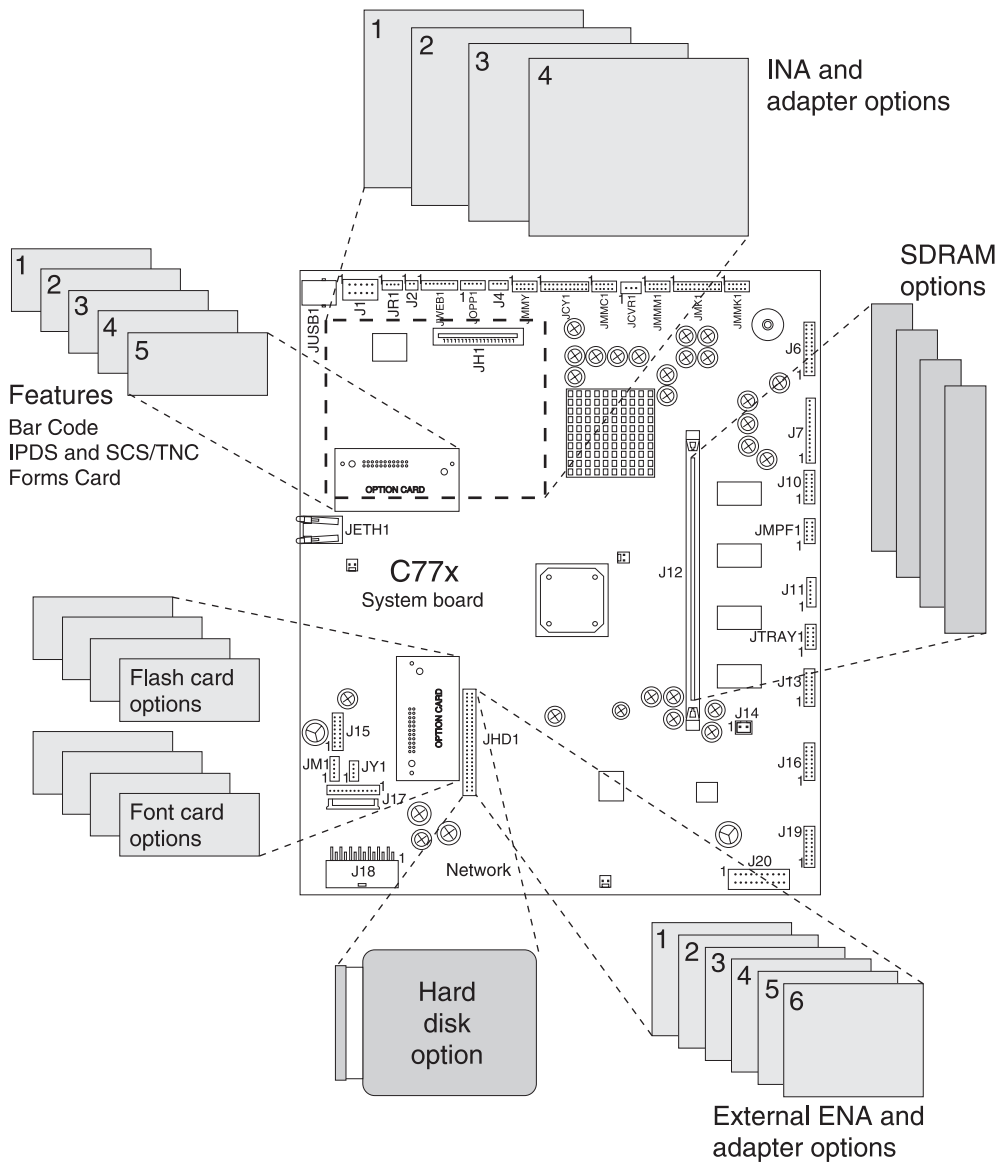
Asm-Index	Part number	Units/option	Units/FRU	Description
35-1	40X2083	1		Outdoor media drawer assembly
2	40X2084	1		Outdoor media tray assembly

Assembly 35: Banner option



Asm-Index	Part number	Units/option	Units/FRU	Description
36-1	40X2086	1		Paper support bail
2	40X2088	1		Banner option screw
3	40X2087	1		Wire bail

Assembly 36: Options



Assembly 36: Options and miscellaneous

Asm-Index	Part number	Units/option	Units/FRU	Description
NS	40X1508	1		128MB SDRAM card assembly
NS	40X1509	1		256MB SDRAM card assembly
NS	40X1510	1		512MB SDRAM card assembly
NS	40X1564	1		32MB Flash DIMM card assembly
NS	40X1455	1		64MB Flash DIMM card assembly
NS	40X1514	1		Traditional Chinese font DIMM card assembly
NS	40X1513	1		Simplified Chinese font DIMM card assembly
NS	40X1512	1		Japanese font card assembly
NS	40X1515	1		Korean font card assembly card assembly
NS	40X0290	1		RS-232 serial interface card
NS	40X3522	1		IPDS/SCS card assembly
NS	40X3521	1		Bar code card assembly
NS	40X3523	1		Lexmark Forms card assembly
NS	40X0291	1		Adapter, parallel 1284-B
NS	40X2610	1		Hard Disk, 40GB with/adapter (formatted)
NS	40X1592	1		MarkNet N7020e ENA adapter
NS	40X1593	1		MarkNet N7000e ENA adapter
NS	40X1594	1		MarkNet N7000e ENA adapter (requires parallel)
NS	40X1376	1		MarkNet N8020 Gigabit Ethernet adapter
NS	40X1377	1		MarkNet N8030 Fiber Ethernet adapter
NS	40X1378	1		MarkNet N8050 wireless print server, 802.11g, U.S.
NS	40X1562	1		MarkNet 8050 wireless print server, 802.11g, non-U.S.
NS		1		Screw type 323, parts packet, 40X1633
NS		1		Screw type 324, parts packet, 40X1635
NS		1		Screw type 232, parts packet, 40X1676
NS		1		Screw type 102, parts packet, 40X1639
NS		1		Screw type 312/322/412/423, parts packet, 40X1691
NS		1		Screw type 484, parts packet, 40X1632
NS		1		Screw, 500-sheet tray, parts packet, 40X1665
NS		1		Screw type 121, parts packet, 40X1780
NS	40X1844	1		Relocation package kit assembly—printer
NS	40X1845	1		Relocation package kit assembly—output expander
NS	40X1846	1		Relocation package kit assembly—5-bin mailbox
NS	40X1847	1		Relocation package kit assembly—500 drawer
NS	40X1848	1		Relocation package kit assembly—duplex

5061-xxx