

LBP250 Series

PARTS CATALOG

Canon

AUG. 2015

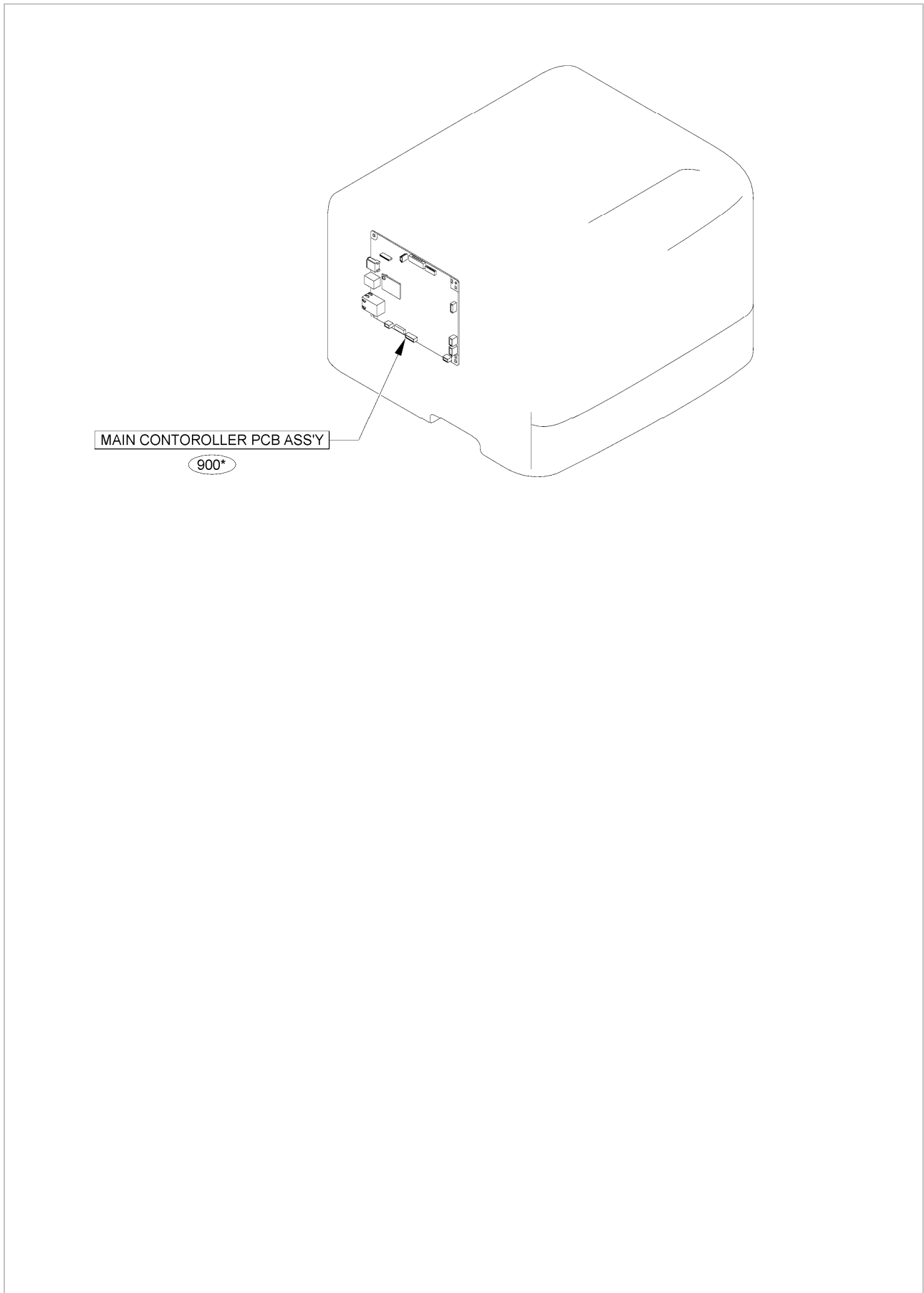
Figure SNL Product Code No./Serial No.

	Product Code No.	Model Name	Remarks	Serial No.
1	F16-8491-000	i-SENSYS LBP253x	-	NDXA
2	F16-8493-000	i-SENSYS LBP252dw	-	NEEA
3	F16-8495-000	i-SENSYS LBP251dw	-	NEHA

	中オーダー	製品名	備考	シリアル No.
1	F16-8491-000	i-SENSYS LBP253x	-	NDXA
2	F16-8493-000	i-SENSYS LBP252dw	-	NEEA
3	F16-8495-000	i-SENSYS LBP251dw	-	NEHA

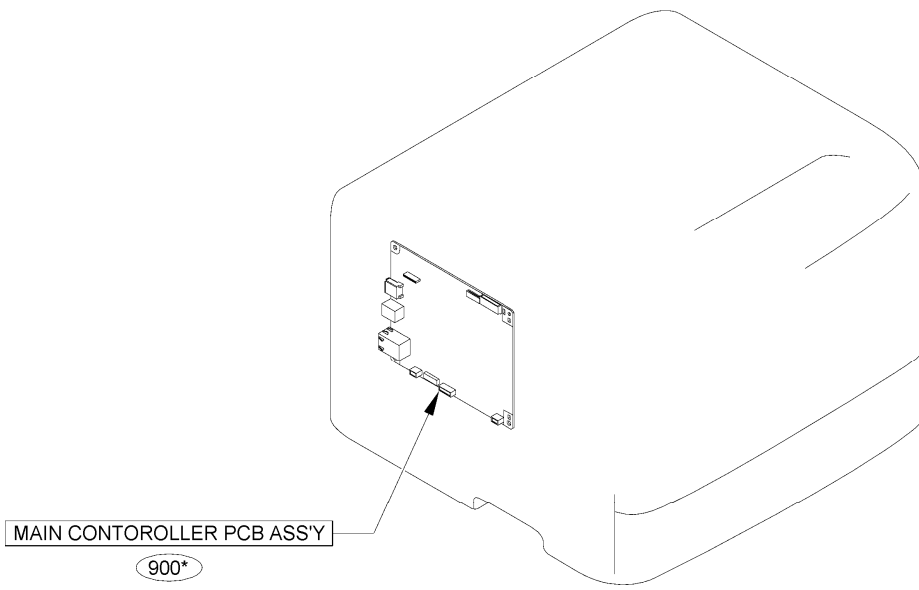
FIG/KEY	PART NUMBER	RANK	QTY	DESCRIPTION	REMARKS
SNL	NPN		RF	Product Code No./Serial No.	
1	F16-8491-000		1	i-SENSYS LBP253x	NDXA
2	F16-8493-000		1	i-SENSYS LBP252dw	NEEA
3	F16-8495-000		1	i-SENSYS LBP251dw	NEHA

Figure A1A ASSEMBLY LOCATION DIAGRAM (LBP253 SERIES)



FIG/KEY	PART NUMBER	RANK	QTY	DESCRIPTION	REMARKS
---------	-------------	------	-----	-------------	---------

Figure A1B ASSEMBLY LOCATION DIAGRAM (LBP252,LBP251 SERIES)



FIG/KEY	PART NUMBER	RANK	QTY	DESCRIPTION	REMARKS
---------	-------------	------	-----	-------------	---------

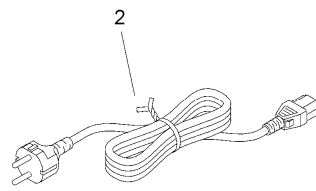
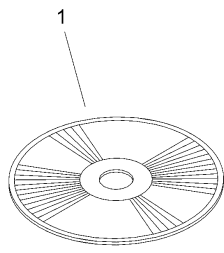
Figure A2 OPTION PARTS CATALOG LIST

This is the table of the machine's options whose parts catalog is issued.
本機のオプションで、パーツカタログが発行されている機種の一覧である。

No.	Model Name(English)	Model Name(Japanese)
1	Paper Feeder Unit PF-44	ペーパーフィーダーユニット PF-44

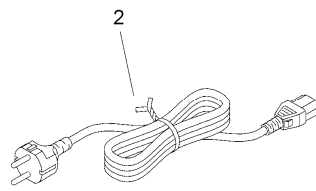
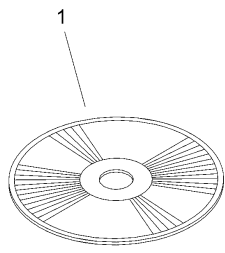
FIG/KEY	PART NUMBER	RANK	QTY	DESCRIPTION	REMARKS
---------	-------------	------	-----	-------------	---------

Figure 001H ACCESSORIES (LBP253x)



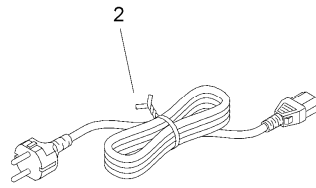
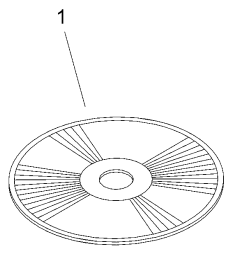
FIG/KEY	PART NUMBER	RANK	QTY	DESCRIPTION	REMARKS
001H	NPN		1	ACCESSORIES	LBP253x
1	FK4-3458-000		1	DVD-ROM, USER SOFTWARE	
2	FK4-1390-000		1	CORD, POWER	

Figure 001J ACCESSORIES (LBP252dw)



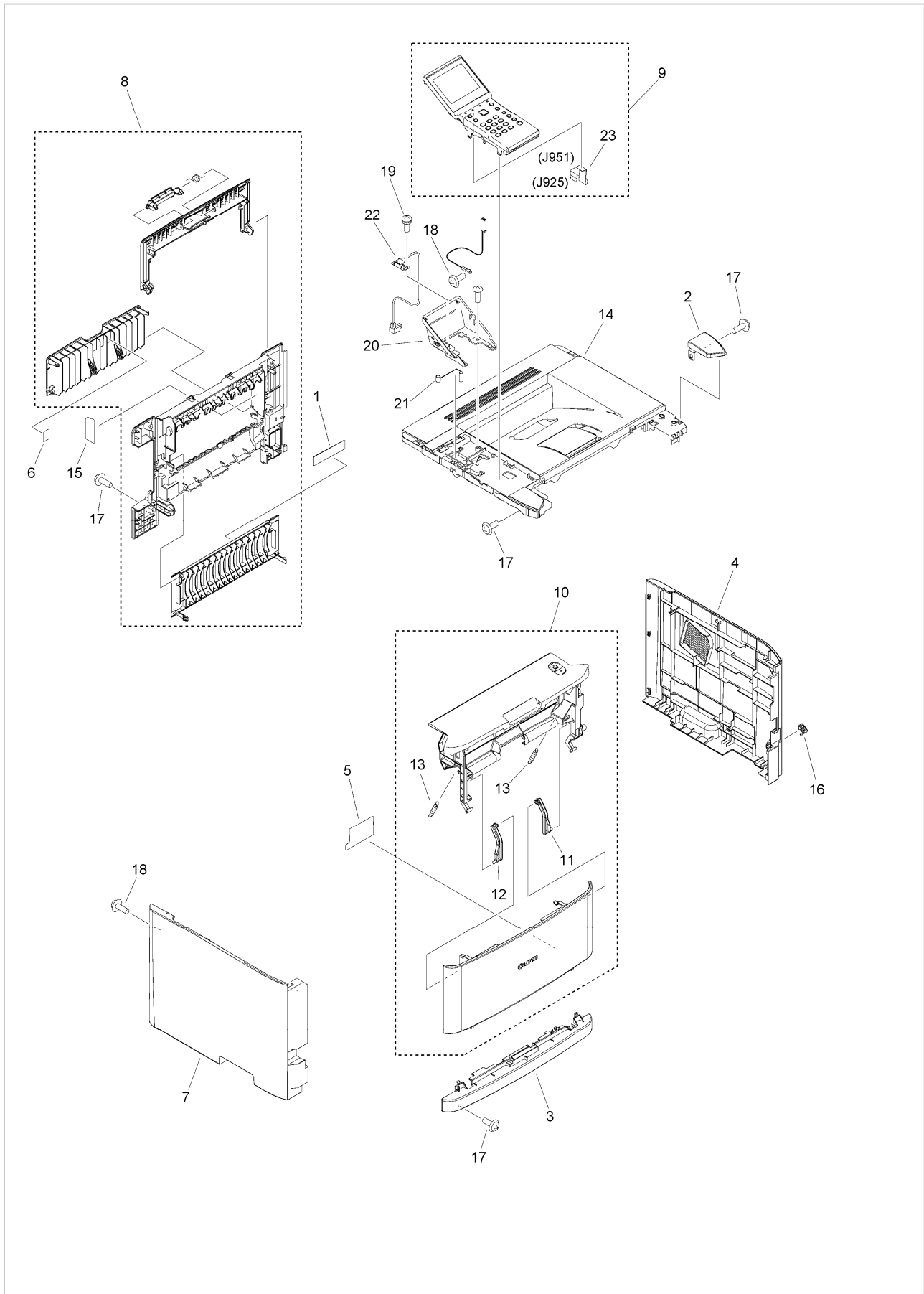
FIG/KEY	PART NUMBER	RANK	QTY	DESCRIPTION	REMARKS
001J	NPN		1	ACCESSORIES	LBP252dw
1	FK4-3466-000		1	DVD-ROM, USER SOFTWARE	
2	FK4-1390-000		1	CORD, POWER	

Figure 001K ACCESSORIES (LBP251dw)



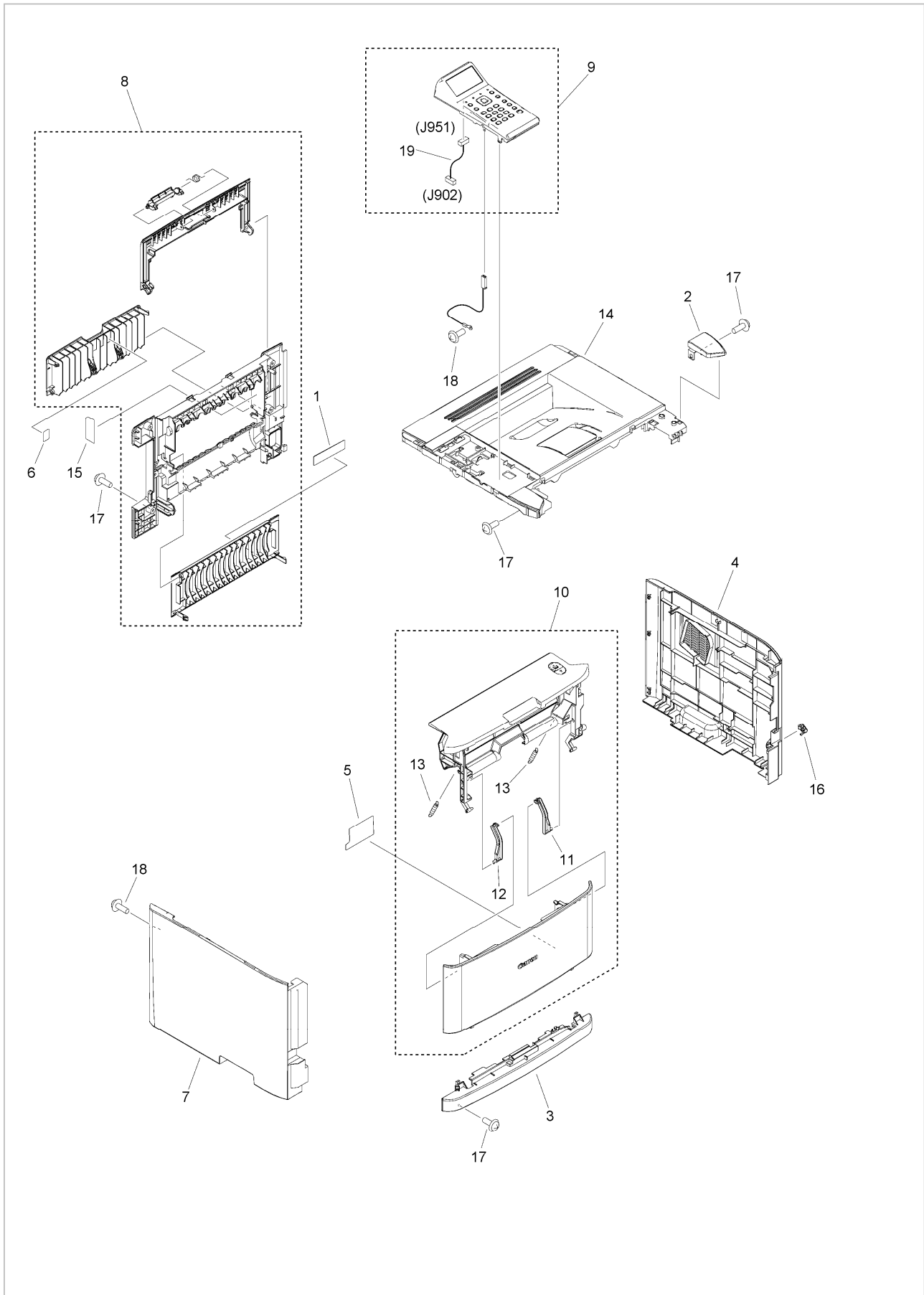
FIG/KEY	PART NUMBER	RANK	QTY	DESCRIPTION	REMARKS
001K	NPN		1	ACCESSORIES	LBP251dw
1	FK4-3472-000		1	DVD-ROM, USER SOFTWARE	
2	FK4-1390-000		1	CORD, POWER	

Figure 100G EXTERNAL COVERS, PANELS, ETC. (LBP253x)



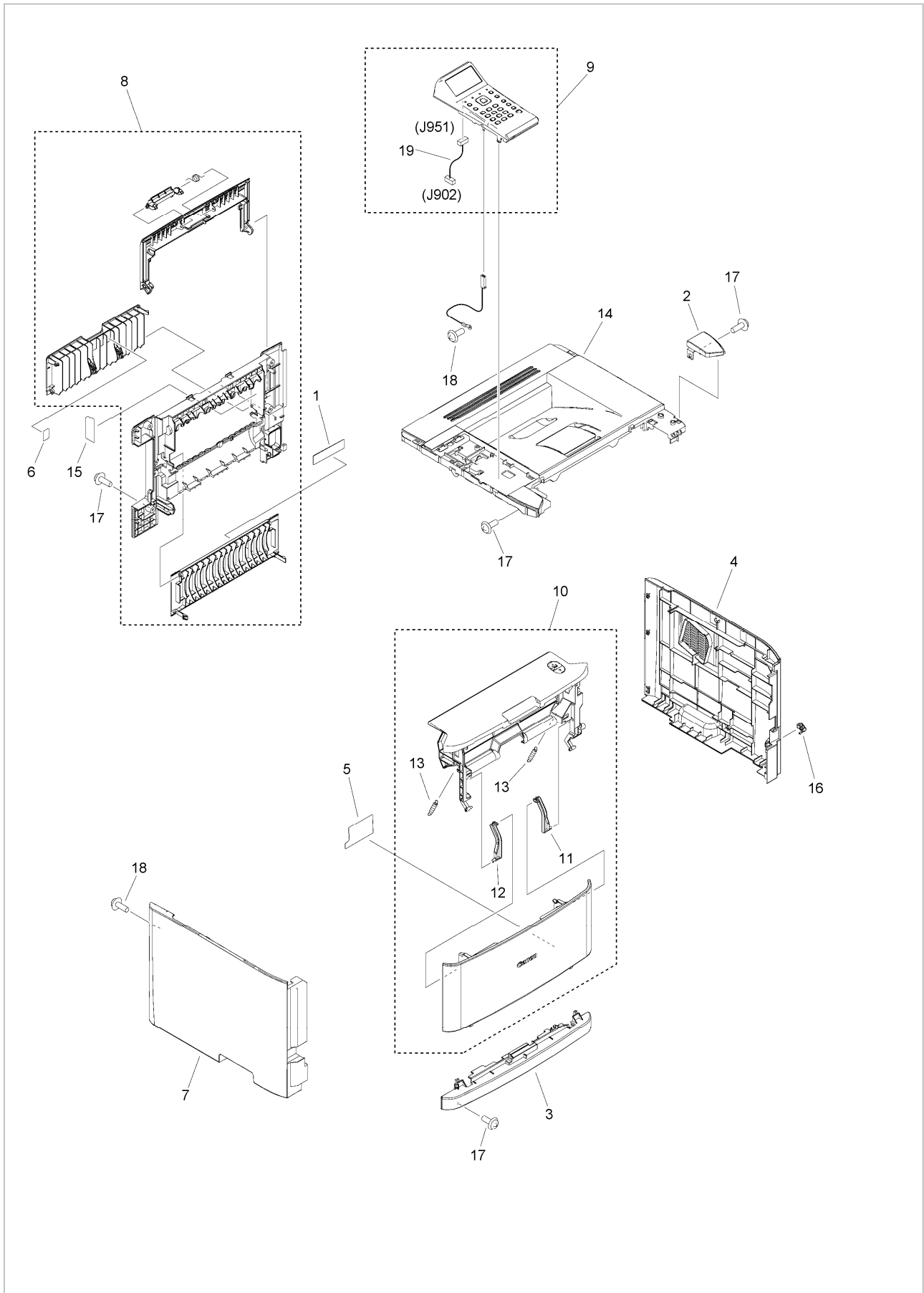
FIG/KEY	PART NUMBER	RANK	QTY	DESCRIPTION	REMARKS
100G	NPN		1	EXTERNAL COVERS, PANELS, ETC.	LBP253x
1	FC0-4235-000		1	LABEL, DUPLEXING SIZE CONTROL	
2	FE4-7383-000		1	COVER, RIGHT, UPPER	
3	FC8-9837-000		1	COVER, FRONT	
4	FC0-4252-000		1	COVER, RIGHT	
5	FC0-4239-000		1	LABEL, MP, SIZE	
6	FC8-9896-000		1	LABEL, H.V. CAUTION	
7	FE4-4748-000		1	COVER, LEFT	
8	FM4-8671-000		1	REAR COVER ASS'Y	
9	FM1-H795-000		1	OPERATION PANEL ASS'Y	
10	FM1-H775-000		1	CARTRIDGE DOOR ASS'Y	
11	RC2-6273-000		1	HINGE, MULTI-PURPOSE, RIGHT	
12	RC2-8291-000		1	HINGE, MULTI-PURPOSE, LEFT	
13	RU5-2895-000		2	SPRING, TENSION	
14	FM1-H774-000		1	TOP COVER ASS'Y	
15	FC0-4281-000		1	LABEL, CAUTION	
16	FC0-4270-000		1	COVER, SWITCH	
17	XA9-1671-000		12	SCREW, D, M3X8	
18	XA9-1503-000		18	SCREW, TAP, M3X6	
19	XA9-1454-000		2	SCREW, W/WASHER, M3X10	
20	FE4-4753-000		1	BASE, PANEL	
21	FE4-7375-000		1	SPRING, COMPRESSION	
22	FK4-2943-000		1	CABLE, USB	
23	FK4-2942-000		1	CABLE, FLAT	

Figure 100H EXTERNAL COVERS, PANELS, ETC. (LBP252dw)



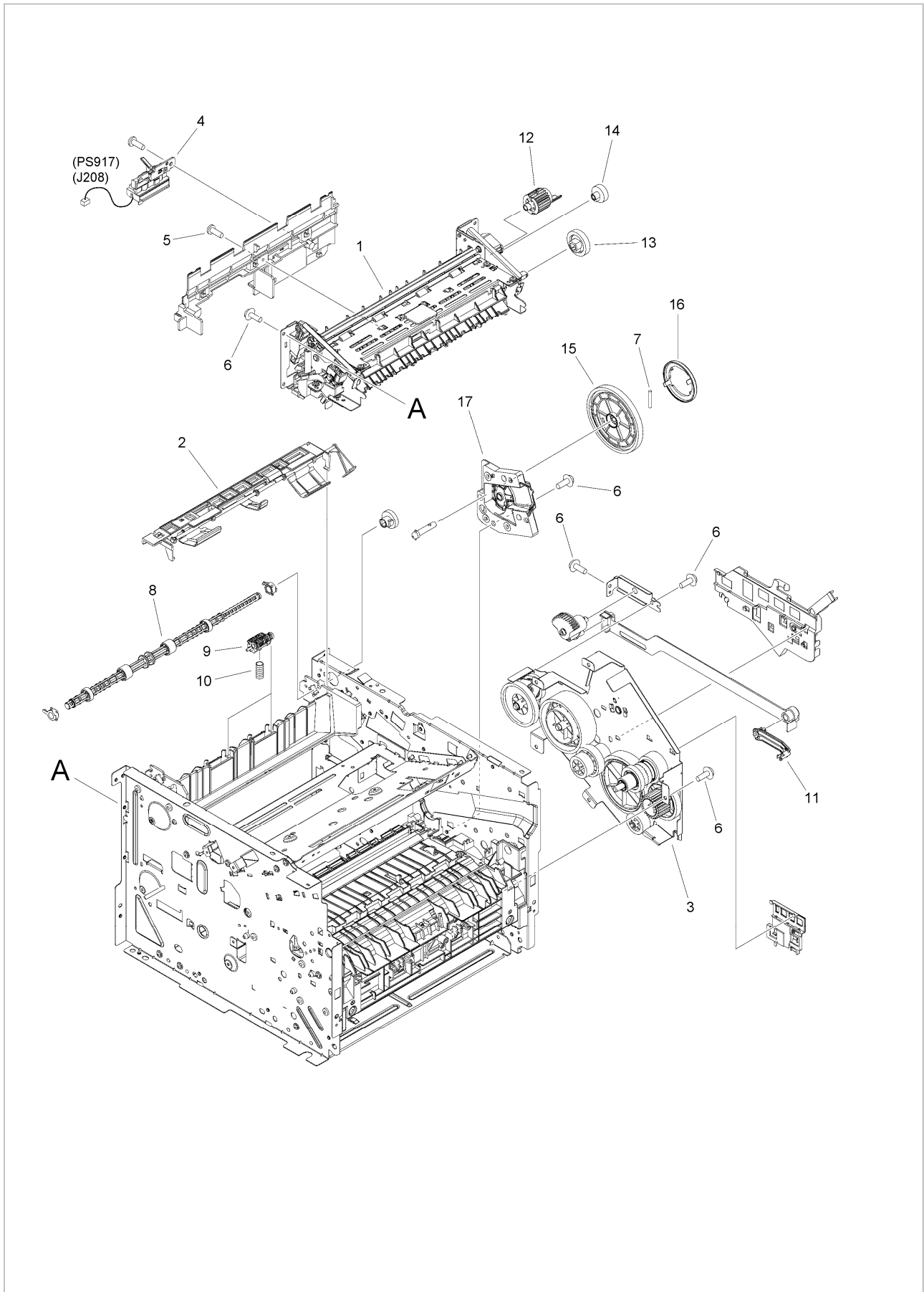
FIG/KEY	PART NUMBER	RANK	QTY	DESCRIPTION	REMARKS
100H	NPN		1	EXTERNAL COVERS, PANELS, ETC.	LBP252dw
1	FC0-4235-000		1	LABEL, DUPLEXING SIZE CONTROL	
2	FE4-7386-000		1	COVER, RIGHT, UPPER	
3	FC8-9837-000		1	COVER, FRONT	
4	FC0-4252-000		1	COVER, RIGHT	
5	FC0-4239-000		1	LABEL, MP, SIZE	
6	FC8-9896-000		1	LABEL, H.V. CAUTION	
7	FE4-4748-000		1	COVER, LEFT	
8	FM4-8671-000		1	REAR COVER ASS'Y	
9	FM1-H788-000		1	OPERATION PANEL ASS'Y	
10	FM1-H775-000		1	CARTRIDGE DOOR ASS'Y	
11	RC2-6273-000		1	HINGE, MULTI-PURPOSE, RIGHT	
12	RC2-8291-000		1	HINGE, MULTI-PURPOSE, LEFT	
13	RU5-2895-000		2	SPRING, TENSION	
14	FM1-H774-000		1	TOP COVER ASS'Y	
15	FC0-4281-000		1	LABEL, CAUTION	
16	FC0-4270-000		1	COVER, SWITCH	
17	XA9-1671-000		12	SCREW, D, M3X8	
18	XA9-1503-000		16	SCREW, TAP, M3X6	
19	FM1-P973-000		1	CABLE, 5LINE PANEL	

Figure 100J EXTERNAL COVERS, PANELS, ETC. (LBP251dw)



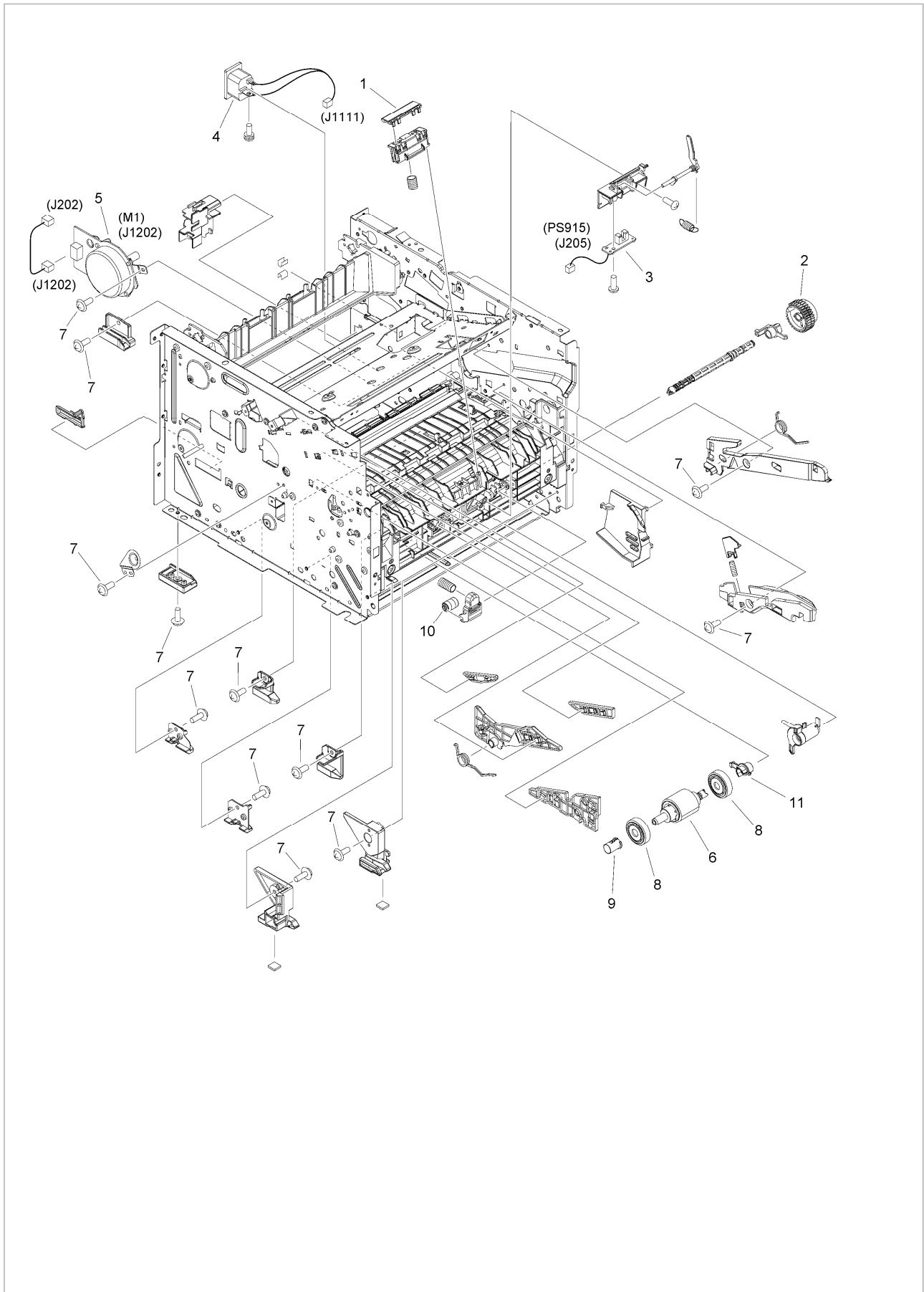
FIG/KEY	PART NUMBER	RANK	QTY	DESCRIPTION	REMARKS
100J	NPN		1	EXTERNAL COVERS, PANELS, ETC.	LBP251dw
1	FC0-4235-000		1	LABEL, DUPLEXING SIZE CONTROL	
2	FE4-7388-000		1	COVER, RIGHT, UPPER	
3	FC8-9837-000		1	COVER, FRONT	
4	FC0-4252-000		1	COVER, RIGHT	
5	FC0-4239-000		1	LABEL, MP, SIZE	
6	FC8-9896-000		1	LABEL, H.V. CAUTION	
7	FE4-4748-000		1	COVER, LEFT	
8	FM4-8671-000		1	REAR COVER ASS'Y	
9	FM1-H784-000		1	OPERATION PANEL ASS'Y	
10	FM1-H775-000		1	CARTRIDGE DOOR ASS'Y	
11	RC2-6273-000		1	HINGE, MULTI-PURPOSE, RIGHT	
12	RC2-8291-000		1	HINGE, MULTI-PURPOSE, LEFT	
13	RU5-2895-000		2	SPRING, TENSION	
14	FM1-H774-000		1	TOP COVER ASS'Y	
15	FC0-4281-000		1	LABEL, CAUTION	
16	FC0-4270-000		1	COVER, SWITCH	
17	XA9-1671-000		12	SCREW, D, M3X8	
18	XA9-1503-000		16	SCREW, TAP, M3X6	
19	FM1-P973-000		1	CABLE, 5LINE PANEL	

Figure 101D INTERNAL COMPONENTS 1



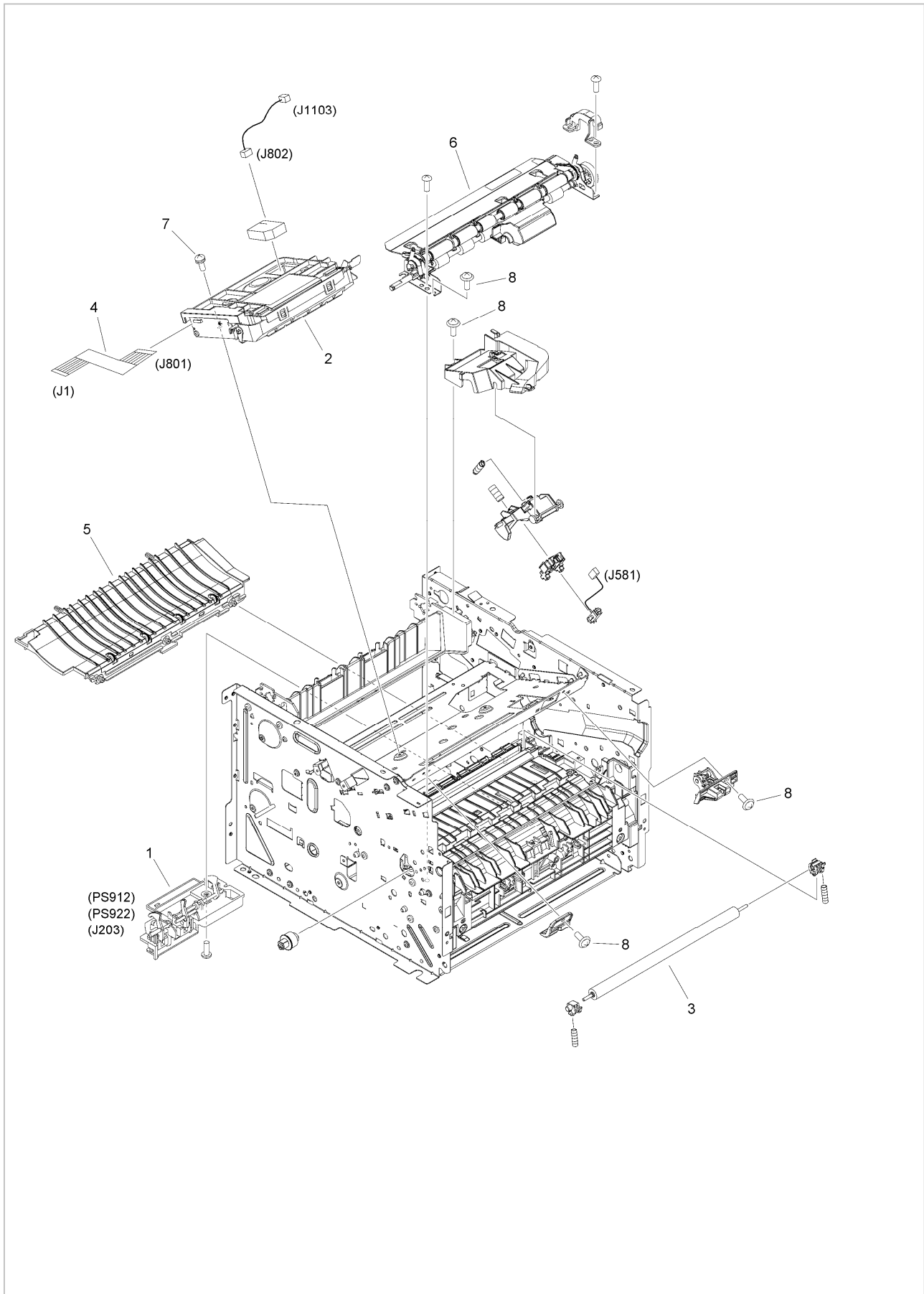
FIG/KEY	PART NUMBER	RANK	QTY	DESCRIPTION	REMARKS
101D	NPN		1	INTERNAL COMPONENTS 1	
1	FM1-D112-000		1	FIXING ASS'Y	
2	RM1-7691-000		1	PAPER RETAINING DELIVERY ASS'Y	
3	RM1-6421-000		1	MAIN DRIVE ASS'Y	
4	RM1-6445-000		1	REVERSE SENSOR ASS'Y	PS917
5	XA9-1503-000		3	SCREW, TAP, M3X6	
6	XA9-1671-000		14	SCREW, D, M3X8	
7	RC2-8349-000		1	PIN, LARGE GEAR	
8	RL1-2112-000		1	ROLLER, FACE-DOWN	
9	RL1-2111-000		2	FACE-DOWN ROLLER UNIT	
10	RU6-2610-000		2	SPRING, COMPRESSION	
11	RC2-6198-000		1	ARM, LINK, 1	
12	RU6-0688-000		1	GEAR, 21T	
13	RU6-0690-000		1	GEAR, 27T	
14	RU6-0693-000		1	GEAR, 17T	
15	RU6-0674-000		1	GEAR, 145T	
16	RC2-6217-000		1	COVER, GEAR RETAINING	
17	RC2-6042-000		1	FRAME, GEAR SUPPORTING	

Figure 102 INTERNAL COMPONENTS 2



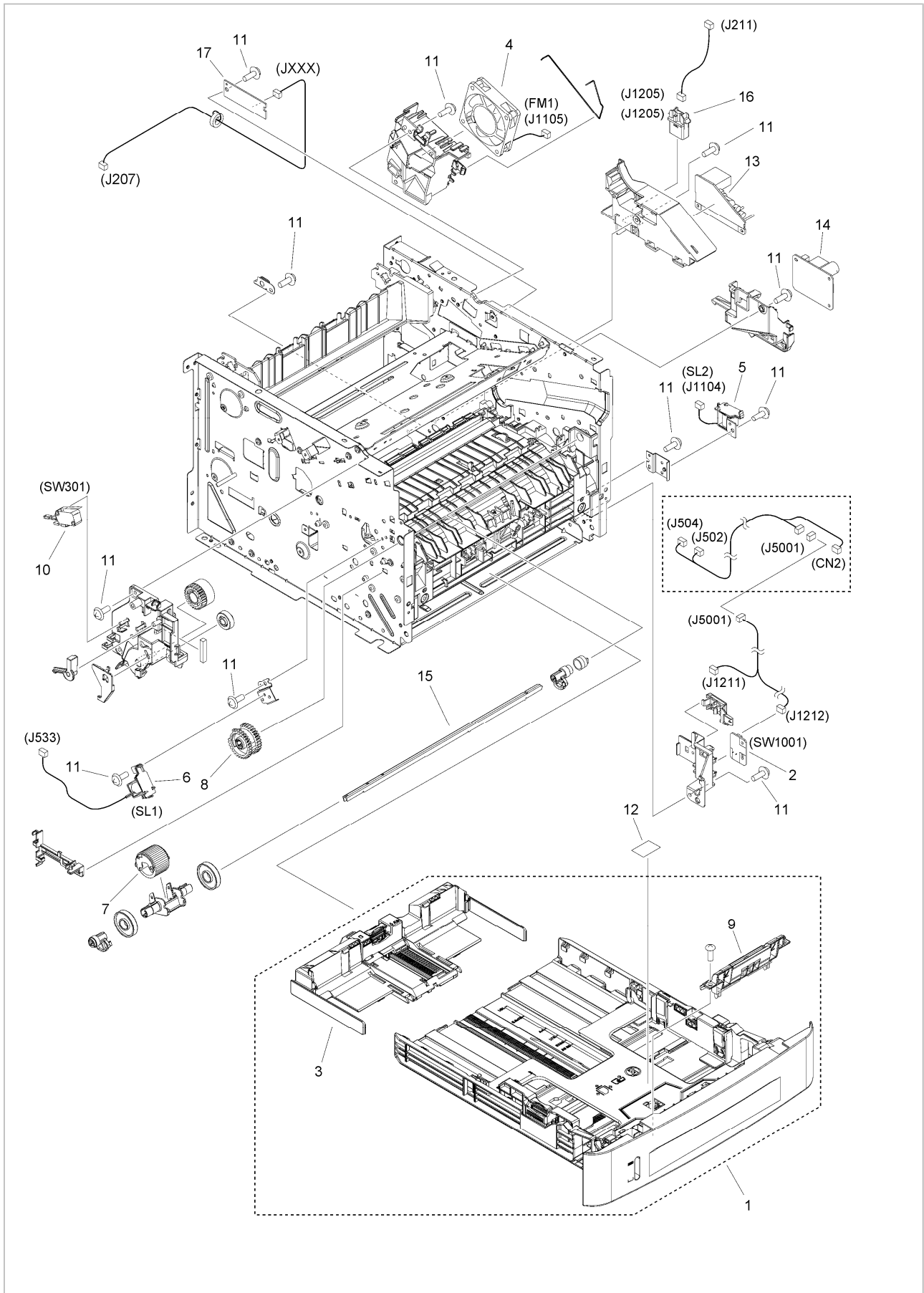
FIG/KEY	PART NUMBER	RANK	QTY	DESCRIPTION	REMARKS
102	NPN		1	INTERNAL COMPONENTS 2	
1	RL1-2115-000		1	PAD, MULTI-PURPOSE SEPARATION	
2	RM1-1301-000		1	PAPER PICK-UP GEAR ASS'Y	
3	RM1-6350-000		1	MULTI-PURPOSE SENSOR PCB ASS'Y	PS915
4	FMO-1141-000		1	INLET AC RELAY CABLE	
5	RM1-6378-000		1	MAIN MOTOR ASS'Y	M1
6	RM1-6414-000		1	PAPER PICK-UP ROLLER ASS'Y	
7	XA9-1671-000		12	SCREW, D, M3X8	
8	RC2-6130-000		2	ROLLER, CASSETTE PAPER PICK-UP	
9	RC2-8263-000		1	BUSHING	
10	RC1-3481-000		2	ROLLER, IDLER	
11	RC2-6131-000		1	BUSHING	

Figure 103 INTERNAL COMPONENTS 3



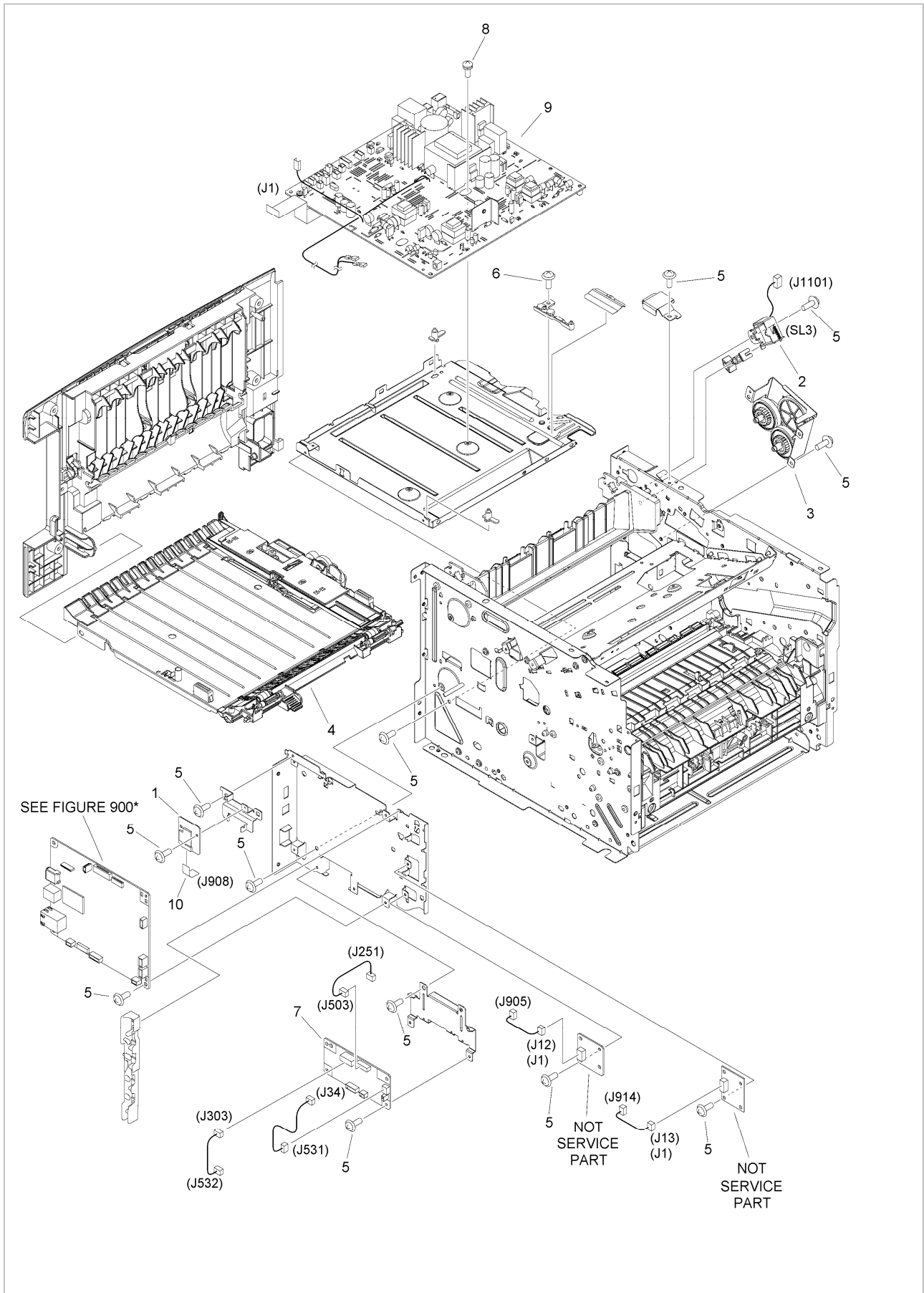
FIG/KEY	PART NUMBER	RANK	QTY	DESCRIPTION	REMARKS
103	NPN		1	INTERNAL COMPONENTS 3	
1	FM1-H781-000		1	TOP SENSOR ASS'Y	PS912,PS922
2	RM1-6424-000		1	SCANNER ASS'Y	
3	RM1-6450-000		1	TRANSFER ROLLER ASS'Y	
4	RK2-3708-000		1	CABLE, LASER FLEXIBLE FLAT	
5	RM1-6402-000		1	PAPER FEED GUIDE ASS'Y	
6	RM1-6419-000		1	REGISTRATION ASS'Y	
7	XA9-1420-000		6	SCREW, W/WASHER, M3X8	
8	XA9-1671-000		4	SCREW, D, M3X8	

Figure 104B INTERNAL COMPONENTS 4



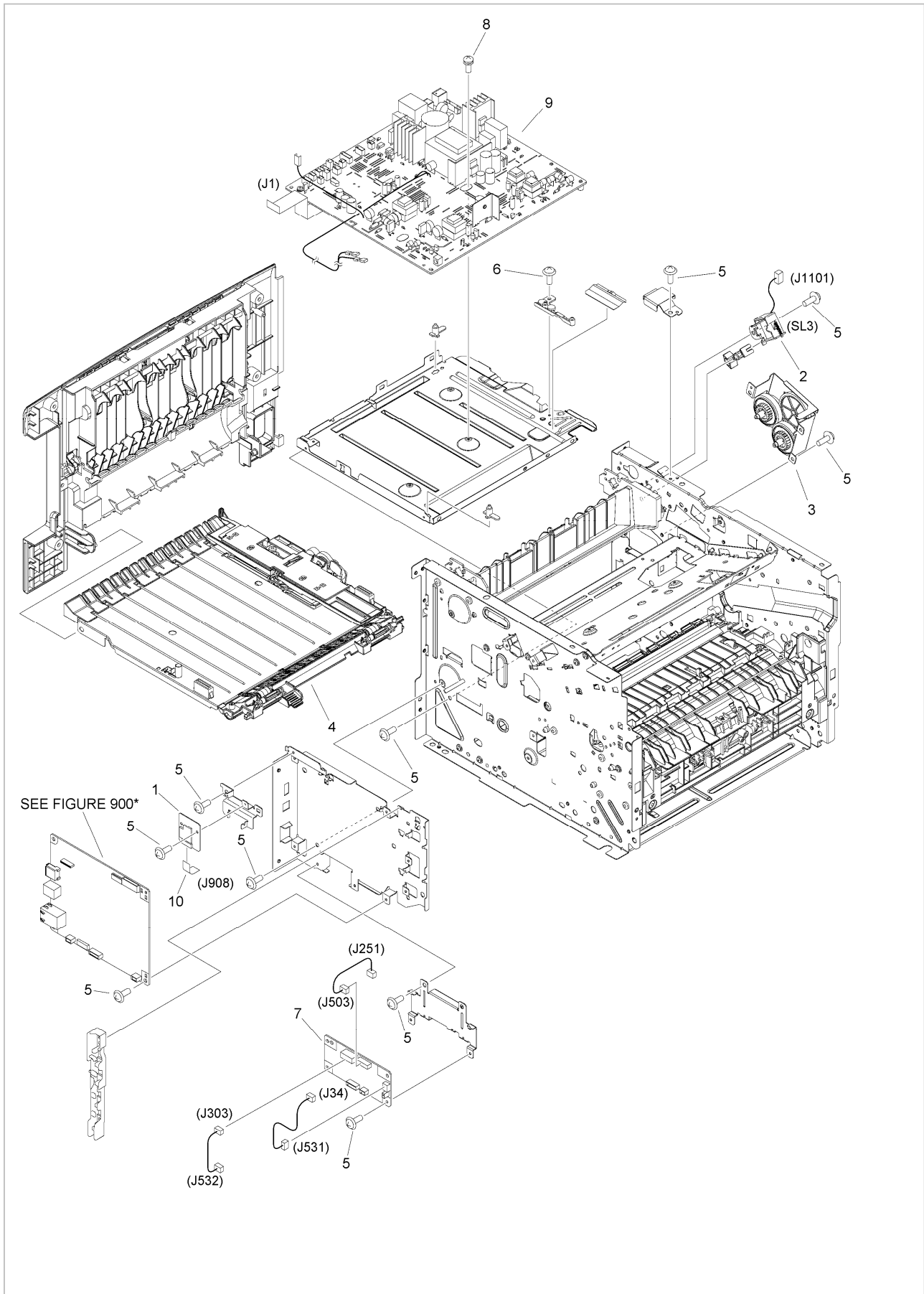
FIG/KEY	PART NUMBER	RANK	QTY	DESCRIPTION	REMARKS
104B	NPN		1	INTERNAL COMPONENTS 4	
1	FMO-4723-000		1	CASSETTE ASS'Y	
2	FMO-1140-000		1	POWER SWITCH PCB ASS'Y	SW1001
3	RM1-6396-000		1	BACK END LIMIT ASSEMBLY	
4	RK2-2728-000		1	FAN	FM1
5	RK2-2729-000		1	SOLENOID	SL2
6	RK2-2731-000		1	SOLENOID	SL1
7	RL1-2120-000		1	ROLLER,MULTI-PURPOSE PICK-UP	
8	RM1-4275-020		1	PAPER PICK-UP GEAR ASS'Y	
9	RM1-6397-000		1	SEPARATION PAD HOLDER ASS'Y	
10	WC4-5171-000		1	MICROSWITCH	SW301
11	XA9-1671-000		13	SCREW, D, M3X8	
12	FC7-9850-000		1	LABEL, PROHIBITION DOCUMENT	
13	FMO-1139-000		1	AC RELAY ASS'Y	
14	FK3-1986-000		1	A.N. POWER SUPPLY PCB ASSEMBLY	
15	RC2-6136-000		1	SHAFT, PAPER PICK-UP	
16	VS1-7258-007		1	CONNECTOR, DRAWER	
17	FM1-P904-000		1	DUPLEX DRIVER PCB ASS'Y	

Figure 105E INTERNAL COMPONENTS 5 (LBP253 SERIES)



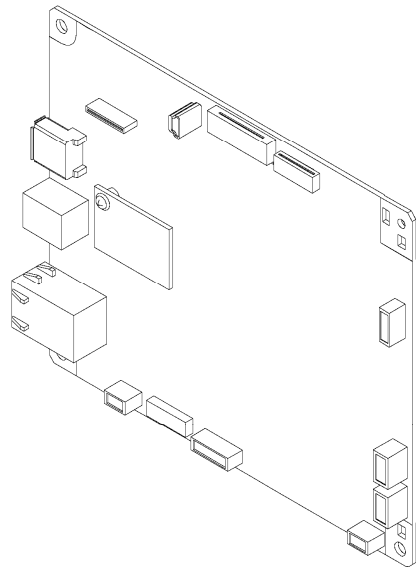
FIG/KEY	PART NUMBER	RANK	QTY	DESCRIPTION	REMARKS
105E	NPN		1	INTERNAL COMPONENTS 5	LBP253 SERIES
1	FK4-1248-020		1	MODULE, WLAN	
2	RK2-2733-000		1	SOLENOID	SL3
3	RM1-6423-000		1	REVERSE DRIVE ASS'Y	
4	RM1-6441-000		1	DUPLEXING PAPER FEED ASS'Y	
5	XA9-1503-000		15	SCREW, TAP, M3X6	
6	XA9-1671-000		1	SCREW, D, M3X8	
7	FMO-1138-000		1	SLEEP IF PCB ASS'Y	
8	XA9-1420-000		4	SCREW, W/WASHER, M3X8	
9	FM1-P902-000		1	ENGINE CONTROLLER ASS'Y	
10	FK4-2944-000		1	CABLE, FLAT	

Figure 105F INTERNAL COMPONENTS 5 (LBP252,LBP251 SERIES)



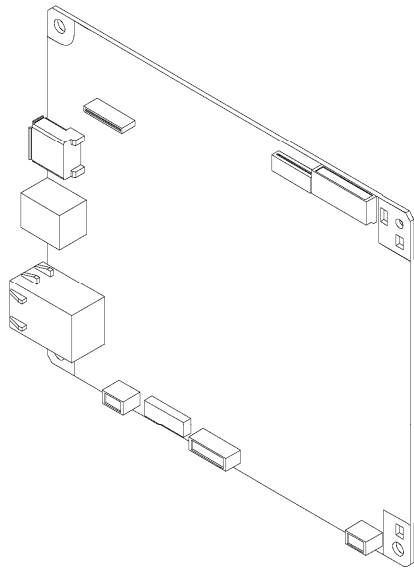
FIG/KEY	PART NUMBER	RANK	QTY	DESCRIPTION	REMARKS
105F	NPN		1	INTERNAL COMPONENTS 5	LBP252, LBP251 SERIES
1	FK4-1248-020		1	MODULE, WLAN	
2	RK2-2733-000		1	SOLENOID	SL3
3	RM1-6423-000		1	REVERSE DRIVE ASS'Y	
4	RM1-6441-000		1	DUPLEXING PAPER FEED ASS'Y	
5	XA9-1503-000		15	SCREW, TAP, M3X6	
6	XA9-1671-000		1	SCREW, D, M3X8	
7	FMO-1138-000		1	SLEEP IF PCB ASS'Y	
8	XA9-1420-000		4	SCREW, W/WASHER, M3X8	
9	FM1-P902-000		1	ENGINE CONTROLLER ASS'Y	
10	FK4-2944-000		1	CABLE, FLAT	

Figure 900A MAIN CONTROLLER PCB ASS'Y (LBP253 SERIES)



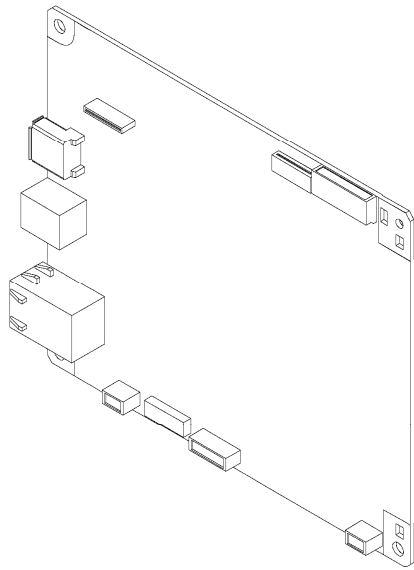
FIG/KEY	PART NUMBER	RANK	QTY	DESCRIPTION	REMARKS
900A	FM1-P966-000		1	MAIN CONTROLLER PCB ASSEMBLY	LBP253 SERIES

Figure 900C MAIN CONTROLLER PCB ASS'Y (LBP252 SERIES)



FIG/KEY	PART NUMBER	RANK	QTY	DESCRIPTION	REMARKS
900C	FM1-P967-000		1	MAIN CONTROLLER PCB ASSEMBLY	LBP252 SERIES

Figure 900E MAIN CONTROLLER PCB ASS'Y (LBP251 SERIES)



FIG/KEY	PART NUMBER	RANK	QTY	DESCRIPTION	REMARKS
900E	FM1-P968-000		1	MAIN CONTROLLER PCB ASSEMBLY	LBP251 SERIES

Figure ZZA MECHANICAL STANDARD PARTS (HOW TO USE)

Mechanical standard parts

機械標準部品

About a mechanical standard parts

A Mechanical standard parts is a mechanical part which not parts peculiar to a product.
They are parts which are common to a Canon product and are used, such as a screw and a washer.
The Fig No. and parts number of the mechanical standard parts are not listed in the product parts catalog.
Refer to the parts catalog of mechanical standard parts when checking the parts number for screw or washer etc. and identify them by part shape or size.

機械標準部品とは

機械標準部品とは、製品特有の部品ではなく、ねじやワッシャなどキヤノン製品共通で使用されている機械部品（メカ部品）のことです。
製品のパーツカタログには、機械標準部品のFig No.や部品番号は記載しておりません。
ねじや、ワッシャ等の部品番号を調べるときは、機械標準部品のパーツカタログを参照し、部品の形状や大きさから判断し、使用している部品を調べてください。

Material and surface treatment of a mechanical standard parts

Material and surface treatment of mechanical standard parts are assigned commonly for each part.
Refer to the Table 1 for the parts which material and surface treatment are assigned as numbers.

機械標準部品の材料および表面処理

機械標準部品の材料および表面処理については、各種部品共通で決められています。
材料および表面処理が番号で決められている部品については、表1を参照してください。

Table 1 Material and Surface treatment

表1 材料および表面処理

No. 番号	Material 材料	Surface treatment 表面処理	Color 色
1	Stainless steel ステンレス	Stainless steel black coloring (BC4) ステンレス黒着色(BC4)	Black 黒
2		not to be given なし	White 白
3	Brass 黄銅	Regular nickel plating (NL) 普通ニッケルメッキ(NL)	White 白
4		Black nickel plating (BN) 黒色ニッケルメッキ(BN)	Black 黒
5	Steel 鋼	White zinc trivalent chromate treating (ZC3) 白色亜鉛3価クロメート(ZC3)	White 白
6		Regular nickel chromium plating (NC) 普通ニッケルクロムメッキ(NC)	White 白
7		Regular nickel plating (NL) 普通ニッケルメッキ(NL)	White 白
8		Iron and steel phosphating (P1) 鉄鋼燐酸塩処理(P1)	Black 黒
9		Black zinc trivalent chromate treating (BZ3) 黒色亜鉛3価クロメート(BZ3)	Black 黒

FIG/KEY	PART NUMBER	RANK	QTY	DESCRIPTION	REMARKS
---------	-------------	------	-----	-------------	---------

Figure ZZB (1 / 7) MECHANICAL STANDARD PARTS (SCREWS)

1. Screws ねじ

How to read Parts Numbers
部品番号の見方

Screws
ねじ

XB1-2400-609

Type No.
類別番号

Normal designation (d)
ねじの呼び (d)

Length (L)
ねじの長さ (L)

Material and Surface treatment
材料および表面処理

XB1-2 expresses Binding head machine screw.
XB1-2は、バインドねじを表す

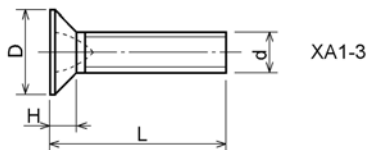
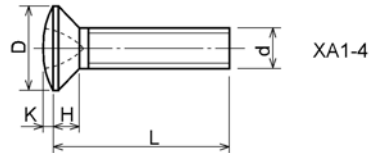
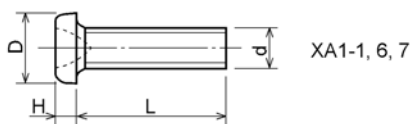
40 expresses M4.0.
40は、M4.0を表す

0-60 expresses a length of 6.0mm.
0-60は、6.0mmの長さを表す

9 expresses Steel (Black zinc trivalent chromate
treating) from Table 1.

9は、表1より鋼（黒色亜鉛3価クロメート）を表す

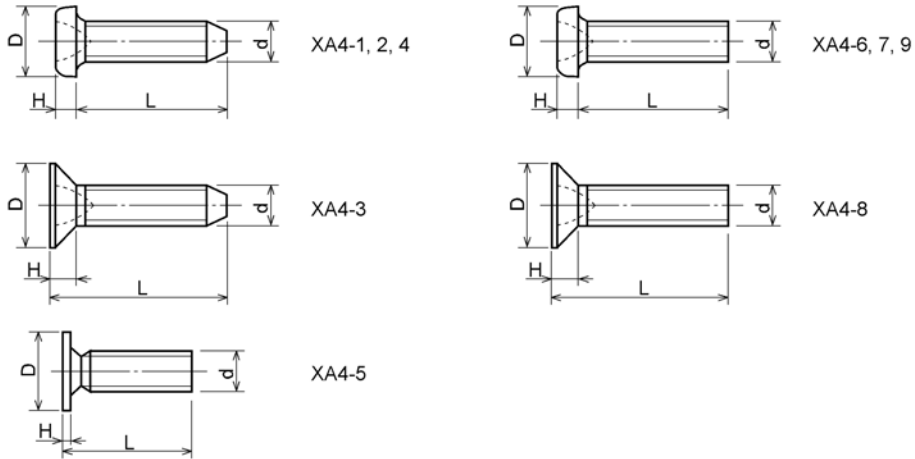
1-1. Cross Recessed Head Screws for Precision Equipments 精密機器用十字穴付き小ねじ



Type No. 類別番号	Type 類別	Head size (mm) 頭部寸法 (mm)						
		M1.4	M1.6	M1.7	M2	M2.5	M2.6	
XA1-1	Pan head Class 1 なべ1種	D	2	2.4	2.5	3	3.8	4
		H	0.5	0.55	0.5	0.6	0.9	0.8
XA1-3	Countersunk head Class 1 さら1種	D	2	2.4	2.5	3	3.8	4
		H	0.48	0.55	0.58	0.73	0.85	0.93
XA1-4	Oval countersunk head Class 1 丸さら1種	D	2	2.4	2.5	3	3.8	4
		H + K	0.68	0.8	0.88	1	1.25	1.3
XA1-6	Pan head Class 3 なべ3種	D	2.5	2.8	3	3.5	4.3	4.5
		H	0.8	0.85	0.9	1	1.3	1.2
XA1-7	Pan head Class 2 なべ2種	D	2.5	2.8	3	3.5	4.3	4.5
		H	0.5	0.55	0.5	0.6	0.9	0.8

Figure ZZB (2 / 7) MECHANICAL STANDARD PARTS (SCREWS)

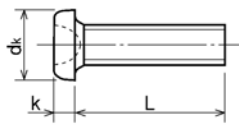
1-2. Precision Tapping Screws 精密用タッピンねじ



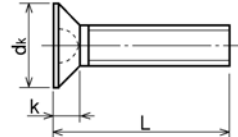
Type No. 類別番号	Type 類別	Head size (mm) 頭部寸法 (mm)						
		M1.4	M1.6	M1.7	M2	M2.5	M2.6	
XA4-1	With tapered end pan head Class 1 絞り-なべ1種	D XA4-1	2	2.4	2.5	3	3.8	4
		H XA4-1	0.5	0.55	0.5	0.6	0.9	0.8
XA4-2	With tapered end pan head Class 3 絞り-なべ3種	D XA4-2	2.5	2.8	3	3.5	4.3	4.5
		H XA4-2	0.8	0.85	0.9	1	1.3	1.2
XA4-3	With tapered end countersunk head 絞り-さら	D XA4-3	2	2.4	2.5	3	3.8	4
		H XA4-3	0.48	0.55	0.58	0.73	0.85	0.93
XA4-4	With tapered end pan head Class 2 絞り-なべ2種	D XA4-4	2.5	2.8	3	3.5	4.3	4.5
		H XA4-4	0.5	0.55	0.5	0.6	0.9	0.8
XA4-5	With parallel end ultra thin head ストレート-超薄頭	D XA4-5	2.5	2.8	3	-	-	-
		H XA4-5	0.2	0.2	0.2	-	-	-
XA4-6	With parallel end pan head Class 1 ストレート-なべ1種	D XA4-6	2	2.4	2.5	3	3.8	4
		H XA4-6	0.5	0.55	0.5	0.6	0.9	0.8
XA4-7	With parallel end pan head Class 3 ストレート-なべ3種	D XA4-7	2.5	2.8	3	3.5	4.3	4.5
		H XA4-7	0.8	0.85	0.9	1	1.3	1.2
XA4-8	With parallel end countersunk head ストレート-さら	D XA4-8	2	2.4	2.5	3	3.8	4
		H XA4-8	0.48	0.55	0.58	0.73	0.85	0.93
XA4-9	With parallel end pan head Class 2 ストレート-なべ2種	D XA4-9	2.5	2.8	3	3.5	4.3	4.5
		H XA4-9	0.5	0.55	0.5	0.6	0.9	0.8

Figure ZZB (3 / 7) MECHANICAL STANDARD PARTS (SCREWS)

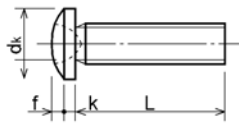
1-3. Cross Recessed Head Screws
 一般用十字穴付き小ねじ



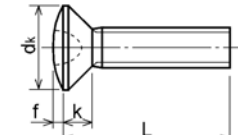
XB1-1



XB1-3



XB1-2



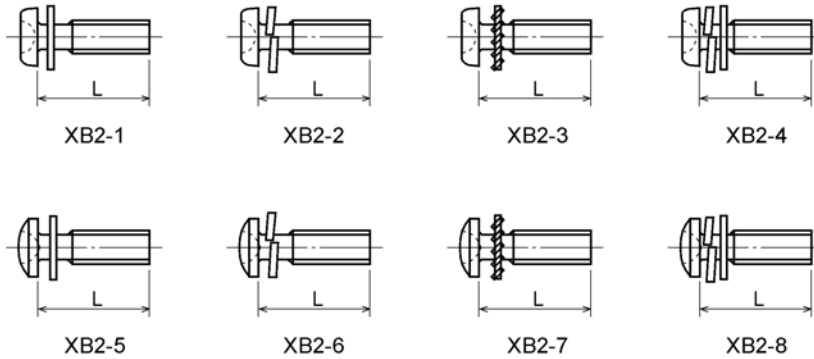
XB1-4

Type No. 類別番号	Type 類別
XB1-1	Pan head なべ
XB1-2	Binding head バインド
XB1-3	Countersunk head さら
XB1-4	Oval countersunk head 丸さら

		Head size (mm) 頭部寸法 (mm)					
		M2	M2.5	M2.6	M3	M4	M5
dk	XB1-1	3.5	4.5	4.5	5.5	7	9
k	XB1-1	1.3	1.7	1.7	2	2.6	3.3
dk	XB1-2	4.3	5.3	5.5	6.3	8.3	10.3
k+f	XB1-2	1.2	1.5	1.6	1.9	2.5	3.1
dk	XB1-3	4	5	-	6	8	10
k	XB1-3	1.2	1.45	-	1.75	2.3	2.8
dk	XB1-4	4	5	-	6	8	10
k+f	XB1-4	1.6	2	-	2.45	3.2	4
Screw part length ねじ部長さ b		8	12	12	12	16	20

Figure ZZB (4 / 7) MECHANICAL STANDARD PARTS (SCREWS)

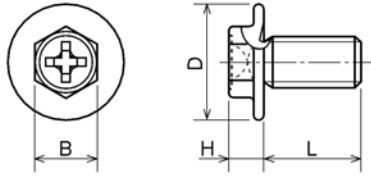
1-4. Cross Recessed Head Screws with Captive Washer 座金組み込み十字穴付き小ねじ



Type No. 類別番号	Type 類別
XB2-1	Pan head + Plain washer (circular bright) なべねじ+平座金
XB2-2	Pan head + Spring washer なべねじ+ばね座金
XB2-3	Pan head + Toothed lock washer なべねじ+歯付座金
XB2-4	Pan head + Spring washer and plain washer (circular bright) なべねじ+(ばね+平)座金
XB2-5	Binding head + Plain washer (circular bright) バインドねじ+平座金
XB2-6	Binding head + Spring washer バインドねじ+ばね座金
XB2-7	Binding head + Toothed lock washer バインドねじ+歯付座金
XB2-8	Binding head + Spring washer and plain washer (circular bright) バインドねじ+(ばね+平)座金

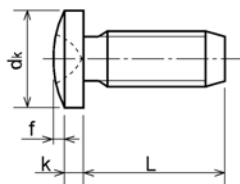
Figure ZZB (5 / 7) MECHANICAL STANDARD PARTS (SCREWS)

1-5. Hexagon Head Tapping Screws for Matallic Materials 金属用六角タッピンねじ



Type No. 類別番号	Type 類別	Head size (mm) 頭部寸法 (mm)	
		M3	M4
XB3-6	For metallic materials 金属用タッピン	D	8 10
		B	5.5 5.5
XB3-7	For metallic materials with clawed 金属用タッピン-つめ付き	H XB3-6	3.1 3.1
		H XB3-7	3.2 3.2

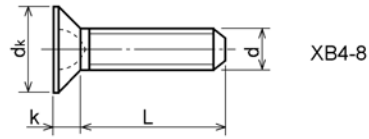
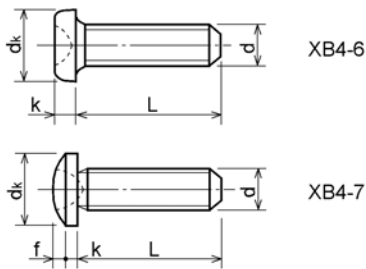
1-6. Special Tapping Screws 特殊タッピンねじ



Type No. 類別番号	Type 類別	Head size (mm) 頭部寸法 (mm)	
		M3	M4
XB4-5	Binding head バインド	dk	6.3 8.3
		k	1.3 1.7
		k+f	1.9 2.5

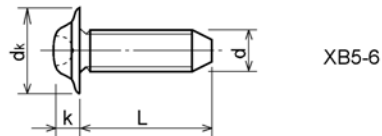
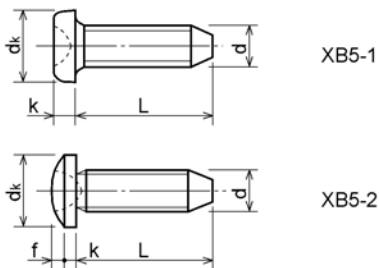
Figure ZZB (6 / 7) MECHANICAL STANDARD PARTS (SCREWS)

1-7. General Head Tapping Screws 一般用タッピンねじ



Type No. 類別番号	Type 類別	Head size (mm) 頭部寸法 (mm)						
		M2	M2.5	M2.6	M3	M4	M5	
XB4-6	Pan head なべ	d_k XB4-6	3.5	4.5	4.5	5.5	7	9
		k XB4-6	1.3	1.7	1.7	2	2.6	3.3
XB4-7	Binding head バインド	d_k XB4-7	4.3	5.3	5.5	6.3	8.3	10.3
		$k+f$ XB4-7	1.2	1.5	1.6	1.9	2.5	3.1
XB4-8	Countersunk head さら	d_k XB4-8	4	5	5.2	6	8	10
		k XB4-8	1.2	1.45	1.5	1.75	2.3	2.8

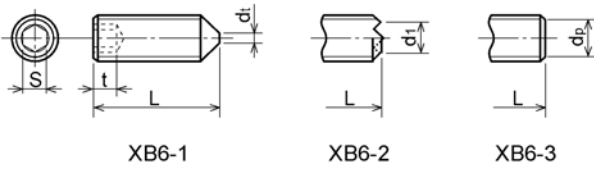
1-8. Tapping Screws for Metallic Materials 金属用タッピンねじ



Type No. 類別番号	Type 類別	Head size (mm) 頭部寸法 (mm)					
		M2.5	M2.6	M3	M4	M5	
XB5-1	Pan head なべ	d_k XB5-1	4.5	4.5	5.5	7	9
		k XB5-1	1.7	1.7	2	2.6	3.3
XB5-2	Binding head バインド	d_k XB5-2	5.5	5.5	6.3	8.3	10.3
		$k+f$ XB5-2	1.6	1.6	1.9	2.5	3.1
XB5-6	Flanged pan head つば付きなべ	d_k XB5-6	6.5	6.5	8	10	12
		k XB5-6	2.1	2.1	1.75	3.2	4

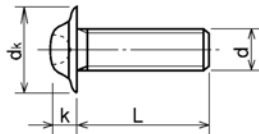
Figure ZZB (7 / 7) MECHANICAL STANDARD PARTS (SCREWS)

1-9. Hexagon Socket Set Screws 六角穴付き止めねじ



Type No. 類別番号	Type 類別	Head size (mm) 頭部寸法 (mm)						
		M1.6 M1.7	M2	M2.5 M2.6	M3	M5	M5	M6
	S	0.7	0.9	1.3	1.5	2	2.5	3
	t	1.5	1.7	2	2	2.5	3	3.5
	d _{t max} XB6-1	0.4	0.5	0.65	0.75	1	1.25	1.5
	d _{1 max} XB6-2	-	1.2	1.5	1.7	2.2	2.8	3.3
	d _{1 min} XB6-2	-	1	1.2	1.4	1.9	2.4	2.9
	d _{p max} XB6-3	0.8	1	1.5	2	2.5	3.5	4
	d _{p min} XB6-3	0.55	0.75	1.25	1.75	2.25	3.2	3.7

1-10. Flanged Pan Head Machine Screws つば付きなべ小ねじ



Type No. 類別番号	Type 類別	Head size (mm) 頭部寸法 (mm)				
		M2	M2.5 M2.6	M3	M5	M5
	dk	5	6.5	8	10	12
	k	1.7	2.1	2.5	3.2	4

FIG/KEY	PART NUMBER	RANK	QTY	DESCRIPTION	REMARKS
---------	-------------	------	-----	-------------	---------

Figure ZZC MECHANICAL STANDARD PARTS (BOLTS)

2. Bolts (Socket head cap screw) ボルト

How to read Parts Numbers
部品番号の見方

Bolt (Socket head cap screw)
ボルト

XB7-1080-409

Type No.
類別番号

Normal designation (d)
ねじの呼び (d)

Length (L)
ねじの長さ (L)

Material and Surface treatment
材料および表面処理

XB7-1 expresses Hexagon socket head cap screws.
XB7-1は、六角穴付きボルトを表す

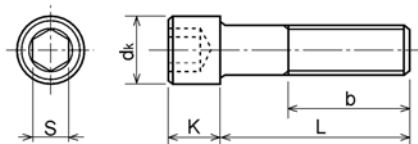
080 expresses M8.0.
080は、M8.0を表す

40 expresses a length of 40mm.
40は、40mmの長さを表す

9 expresses Steel (Black zinc trivalent chromate treating) from Table 1.

9は、表1より鋼（黒色亜鉛3価クロメート）を表す

2-1. Hexagon socket head cap screws 六角穴付きボルト



Type No. 類別番号	Type 類別
XB7-1	Hexagon socket head cap screws 六角穴付きボルト

	Head size (mm) 頭部寸法 (mm)						
	M3	M4	M5	M6	M8	M10	M12
S	2.5	3	4	5	6	8	10
dk	5.5	7	8.5	10	13	16	18
K	3	4	5	6	8	10	12
Screw part length ねじ部長さ b_{max}	18	20	22	24	28	32	36

FIG/KEY	PART NUMBER	RANK	QTY	DESCRIPTION	REMARKS
---------	-------------	------	-----	-------------	---------

Figure ZZD MECHANICAL STANDARD PARTS (NUTS)

3. Nuts ナット

How to read Parts Numbers
部品番号の見方

Nuts
ナット

XB7-2100-309

Type No.
類別番号
Normal designation (d)
ねじの呼び (d)
Material and Surface treatment

材料および表面処理

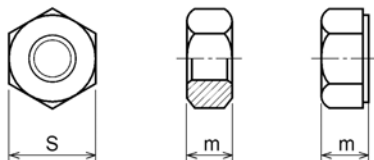
XB7-210 expresses Hexagon nut class 1.
XB7-210は、六角ナット1種を表す

0-30 expresses M3.0.
0-30は、M3.0を表す

9 expresses Steel (Black zinc trivalent chromate
treating) from Table 1.

9は、表1より鋼（黒色亜鉛3価クロメート）を表す

3-1. Hexagon Nuts and Hexagon Thin Nuts 六角ナット



Type No. 類別番号	Type 類別
XB7-210	Hexagon nut Class 1 六角ナット-1種
XB7-220	Hexagon nut Class 3 六角ナット-3種
XB7-230	Hexagon nut Style 1 double chamfered 六角ナット-スタイル1-両面とり
XB7-231	Hexagon nut Style 1 washer faced 六角ナット-スタイル1-座付き
XB7-240	Hexagon nut Style 2 double chamfered 六角ナット-スタイル2-両面とり
XB7-241	Hexagon nut Style 2 washer faced 六角ナット-スタイル2-座付き
XB7-250	Hexagon nut 六角ナット
XB7-260	Hexagon thin nut double chamfered 六角低ナット-両面とり
XB7-270	Hexagon thin nut not chamfered 六角低ナット-面とり無し

	Head size (mm) 頭部寸法 (mm)						
	M2	M2.5	M3	M4	M5	M6	M8
S	4	5	5.5	7	8	10	13
m XB7-210	1.6	2	2.4	3.2	4	5	6.5
m XB7-220	1.2	1.6	1.8	2.4	3.2	3.6	5
m XB7-230, 231	1.6	2	2.4	3.2	4.7	5.2	6.8
m XB7-240, 241	-	-	-	-	5.1	5.7	7.5
m XB7-250	-	-	-	-	5.6	6.1	7.9
m XB7-260	1.2	1.6	1.8	2.2	2.7	3.2	4
m XB7-270	1.2	1.6	1.8	2.2	2.7	3.2	4

FIG/KEY	PART NUMBER	RANK	QTY	DESCRIPTION	REMARKS
---------	-------------	------	-----	-------------	---------

Figure ZZE (1 / 3) MECHANICAL STANDARD PARTS (RETAINING RINGS)

5. Retaining Rings 止め輪

How to read Parts Numbers
部品番号の見方

Retaining Rings
止め輪

XD2-1100-202

Type No.
類別番号
Nominal designation
呼び
Material and Surface treatment
材料および表面処理

XD2-110 expresses retaining ring-E type (Type1).
XD2-110は、E形止め輪（1種）を表す

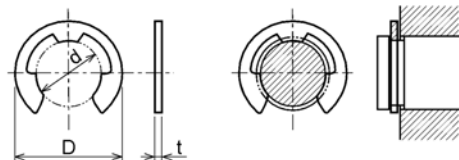
0-20 expresses a 020 of nominal designation.
(See Table 5)

0-20は、呼び020を表す（表5参照）

2 expresses Stainless steel (Surface treatment is not to be given) from Table 1.

2は、表1よりステンレス（表面処理なし）を表す

5-1. Retaining Rings - E type E形止め輪



Type No. 類別番号	Type 類別
XD2-110	Retaining ring - E type (Type 1) E形止め輪（1種）
XD2-120	Retaining ring - E type (Type 2) E形止め輪（2種）

Table 5 表5

Type 種類	Nominal designation 呼び	d (mm)	D (mm)	t (mm)
Type 1 1種	007	0.65	2	0.2
	010	0.95	2.8	0.2
	013	1.25	3.3	0.3
	017	1.65	4.2	0.4
	020	1.95	4.6	0.5
	024	2.35	6	0.6
	028	2.74	6.5	0.6
	032	3.14	7.2	0.6
	037	3.64	8	0.7
	040	3.93	10	0.7
	042	4.13	10	0.7
	050	4.93	11	0.7
	058	5.73	12	0.7
Type 2 2種	060	5.93	12.7	0.9
	064	6.32	13.5	0.9
	074	7.31	15	0.9
	080	7.91	16.5	1
	008	0.8	2	0.2
	012	1.2	3	0.3
	015	1.5	4	0.4
	020	2	5	0.4
	025	2.5	6	0.4
	030	3	7	0.6
	040	4	9	0.6
	050	5	11	0.6
	060	6	12	0.8
070	7	14	0.8	
080	8	16	0.8	
090	9	18	0.8	
100	10	20	1	

Figure ZZE (2 / 3) MECHANICAL STANDARD PARTS (RETAINING RINGS)

5-2. Grip Rings
グリップ止め輪

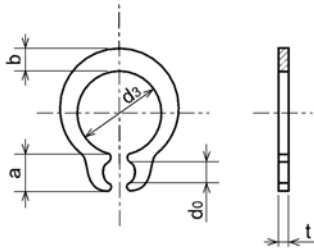


Table 5 表5

Nominal designation 呼び	d ₃ (mm)	t (mm)	b (mm)	a (mm)	d ₀ (mm)
020	1.9	0.5	1	1.8	0.8
025	2.35	0.5	1.2	1.9	0.9
030	2.85	0.6	1.4	1.9	0.9
035	3.3	0.6	1.6	2	0.9
040	3.8	0.8	1.8	2.8	1.2
045	4.25	0.8	2	2.9	1.3
050	4.75	0.8	2.2	2.9	1.3
060	5.7	1	2.4	3.1	1.4
070	6.7	1	2.7	3.3	1.4
080	7.7	1	3	3.5	1.4
090	8.65	1.2	3.3	4.7	1.5
100	9.65	1.2	3.5	4.7	2

Type No. 類別番号	Type 類別
XD2-210	Grip ring グリップ止め輪

5-3. Toothed Retaining Rings
歯付き形止め輪

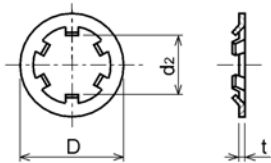


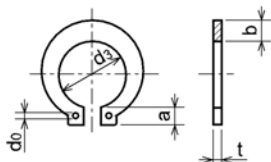
Table 5 表5

Nominal designation 呼び	d ₂ (mm)	D (mm)	t (mm)	No of teeth 歯数
015	1.4	5.2	0.25	3
020	1.9	6	0.25	3
024	2.3	6.4	0.25	3
030	2.8	8	0.25	4
040	3.8	9	0.25	4
050	4.8	10	0.25	5
060	5.8	11	0.25	5
080	7.8	13	0.25	5
100	9.8	15.4	0.25	6

Type No. 類別番号	Type 類別
XD2-230	Toothed retaining ring 歯付き形止め輪

Figure ZZE (3 / 3) MECHANICAL STANDARD PARTS (RETAINING RINGS)

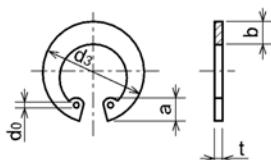
5-4. Retaining Rings - C Type C形止め輪



Type No. 類別番号	Type 類別
XD2-310	Retaining ring - C type for shaft C形止め輪 軸用

Table 5 表5

Nominal designation 呼び	d_3 (mm)	t (mm)	b (mm)	a (mm)	d_0 (mm)
010	9.3	1	1.6	3	1.2
012	11.1	1	1.8	3.2	1.5
014	12.9	1	2	3.4	1.7
015	13.8	1	2.1	3.5	1.7
016	14.7	1	2.2	3.6	1.7
017	15.7	1	2.2	3.7	1.7
018	16.5	1.2	2.6	3.8	1.7
020	18.5	1.2	2.7	3.9	2
022	20.5	1.2	2.7	4.1	2
025	23.2	1.2	3.1	4.3	2
028	25.9	1.5	3.1	4.6	2
030	27.9	1.5	3.5	4.8	2
032	29.6	1.5	3.5	5	2.5
035	32.2	1.5	4	5.4	2.5



Type No. 類別番号	Type 類別
XD2-320	Retaining ring - C type for hole C形止め輪 穴用

Table 5 表5

Nominal designation 呼び	d_3 (mm)	t (mm)	b (mm)	a (mm)	d_0 (mm)
010	10.7	1	1.8	3.1	1.2
011	11.8	1	1.8	3.2	1.2
012	13	1	1.8	3.3	1.5
014	15.1	1	2	3.6	1.7
016	17.3	1	2	3.7	1.7
018	19.5	1	2.5	4	1.7
019	20.5	1	2.5	4	2
020	21.5	1	2.5	4	2
022	23.5	1	2.5	4.1	2
025	26.9	1.2	3	4.4	2
028	30.1	1.2	3	4.6	2
030	32.1	1.2	3	4.7	2
032	34.4	1.2	3.5	5.2	2.5
035	37.8	1.5	3.5	5.2	2.5
037	39.8	1.5	3.5	5.2	2.5
040	43.5	1.8	4	5.7	2.5
042	45.5	1.8	4	5.8	2.5
045	48.5	1.8	4.5	5.9	2.5
047	50.5	1.8	4.5	6.1	2.5
050	54.2	2	4.5	6.5	2.5
052	56.2	2	5.1	6.5	2.5
055	59.2	2	5.1	6.5	2.5
060	64.2	2	5.1	6.8	2.5
062	66.2	2	5.5	6.9	2.5
068	72.5	2.5	6	7.4	2.5
072	76.5	2.5	6.6	7.4	2.5
075	79.5	2.5	6.6	7.8	2.5
080	85.5	2.5	7	8	2.5
085	90.5	3	7	8	3
090	95.5	3	7.6	8.3	3
095	100.5	3	8	8.5	3

FIG/KEY	PART NUMBER	RANK	QTY	DESCRIPTION	REMARKS
---------	-------------	------	-----	-------------	---------