

KONICA MINOLTA

PARTS GUIDE MANUAL

MARCH 2005

*Di2011/Di1811P/Konica
7218/Konica 7220*

INFORMATION FOR PARTS GUIDE MANUAL

To find correct Parts No., refer to the "HOW TO MAKE THE BEST USE OF THIS MANUAL" in the following page.

HOW TO MAKE THE BEST USE OF THIS MANUAL

- 1 When you order, please check the proper figures beforehand that are on Our Parts Guide Manual, and order with the appropriate figures.
- 2 There is no Screw and Wiring accessories written in this parts guide manual. Please refer to the Printed or CD-ROM of parts guide manual if necessary.
- 3 In order to maintain safety of the product, some specific parts composed of this product are set up as "essential safety parts".
- 4 The assigned parts number for the "essential safety parts" is indicated as "SP00-****".
When replacing these parts, follow precautions for disassembling and installing which are listed in the Service Manual.
Do not use any parts that are not set up as
- 5 ♣ means that there are exclusive parts for each destination.
Please check the appropriate destination when you order.
- 6 Revision Mark
Marked as ▲ on the illustration shows that the revision has been made.
- 7 All rights reserved. (any reprints or quotations are prohibited.)
Use of this parts guide manual should be strictly supervised to avoid disclosure of confidential information.

CONTENTS

No.	DESCRIPTION	PAGE No.
1	ORIGINAL COVER	P01
2	CONTROL PANEL	P02
3	HOUSING	P03
4	FRAMES (A)	P04
5	FRAMES (B)	P05
6	IR FRAME	P06
7	SLIDER SECTION	P07
8	PAPER TAKE-UP SECTION (A)	P08
9	PAPER TAKE-UP SECTION (B)	P09
10	MANUAL FEED SECTION	P10
11	HOPPER SECTION	P11
12	CHARGE SECTION	P12
13	DEVELOPING SECTION	P13
14	CLEANER SECTION	P14
15	TRANSPORT SECTION	P15
16	FUSING SECTION	P16
17	PAPER EXIT SECTION	P17
18	DRIVE SECTION	P18
19	ELECTRICAL COMPONENTS	P19
20	CASSETTE SECTION (A)	P20
21	CASSETTE SECTION (B)	P21

INDEX

Parts No.	Page No.
0910 5507 12	14-17
1033 4402 01	03-24
1100 3130 08	08-9
1100 3130 08	13-46
1129 7303 01	05-10
1129 7303 01	08-3
1139 1703 02	01-6
1139 1704 14	01-5
1139 1705 01	01-3
1139 1706 01	01-7
1139 5015 01	11-4
1139 5018 04	11-18
1139 5022 01	11-10
1139 5026 01	11-12
1139 5249 01	13-41
1139 5250 01	13-40
1139 5730 01	11-31
1144 3097 03	21-4
1151 5023 01	11-13
1151 5032 01	11-20
1151 5033 02	11-19
1151 7383 01	20-12
1151 7383 01	20-12
1156 4118 02	14-20
1159 1938 01	17-5
1164 1031 01	03-2
1164 3003 01	21-17
1164 3004 03	21-19
1164 3005 02	21-18
1164 3020 03	10-20
1164 3027 01	09-11
1164 3045 01	21-24
1164 3047 02	21-11
1164 3048 02	20-8
1164 3049 02	21-23
1164 3054 01	10-16
1164 3061 01	21-12
1164 3062 01	21-13
1164 3064 01	21-20
1164 3508 01	08-32

Parts No.	Page No.
1164 3509 01	08-16
1164 3515 01	08-31
1164 4202 04	15-27
1164 4206 02	15-21
1164 4207 01	15-22
1164 4222 01	15-20
1164 5765 01	16-16
1165 4307 01	12-3
1165 4310 01	12-6
1165 5326 02	11-14
1171 1126 01	01-1
1174 5010 01	11-17
1274 2611 01	10-13
4002 0902 01	17-20
4004 3005 01	21-27
4004 3006 03	21-5
4011 0111 01	10-23
4011 0112 01	15-25
4011 3002 01	20-9
4011 3005 01	20-11
4011 3007 03	21-22
4011 3008 01	21-16
4011 3009 01	21-21
4011 3010 02	21-14
4011 3011 01	21-15
4011 3012 01	10-21
4011 3205 01	10-37
4011 3515 01	15-10
4011 5858 01	15-32
4011 5858 01	16-4
4011 7313 01	20-17
4011 7314 01	20-18
4021 0162 01	11-25
4021 0163 03	13-5
4021 0165 01	13-7
4021 0166 01	14-28
4021 0202 03	13-21
4021 0204 01	18-33
4021 0306 02	12-27
4021 0752 01	13-6

Parts No.	Page No.
4021 1001 15	03-23
4021 1001 15	03-32
4021 1009 01	03-27
4021 1017 02	03-4
4021 2014 12	05-3
4021 2018 01	08-17
4021 2019 02	15-12
4021 2020 01	19-1
4021 2025 01	10-32
4021 2031 01	08-19
4021 2101 01	08-10
4021 2103 02	08-6
4021 2106 01	08-5
4021 2110 01	05-11
4021 2307 01	15-33
4021 2316 01	08-26
4021 2501 01	18-20
4021 2502 01	18-5
4021 2503 01	18-21
4021 2504 01	18-25
4021 2505 01	18-6
4021 2509 01	18-24
4021 2510 01	18-4
4021 2511 01	18-3
4021 2512 01	18-2
4021 2517 01	18-23
4021 2519 01	18-8
4021 2533 03	18-27
4021 2538 01	18-7
4021 2540 01	18-18
4021 2541 01	18-22
4021 2542 01	18-19
4021 2547 02	18-17
4021 3001 26	20-1
4021 3013 02	21-3
4021 3014 02	21-8
4021 3019 01	20-3
4021 3020 01	20-2
4021 3031 13	20-4
4021 3032 12	20-5

Parts No.	Page No.
4021 3035 02	20-6
4021 3036 01	20-7
4021 3037 02	21-1
4021 3040 01	21-25
4021 3101 02	10-7
4021 3103 01	10-12
4021 3104 01	10-8
4021 3105 01	10-9
4021 3106 01	10-10
4021 3107 01	10-26
4021 3108 01	10-11
4021 3110 03	10-5
4021 3111 01	10-1
4021 3112 01	10-3
4021 3504 01	09-3
4021 3505 01	08-37
4021 3512 12	08-30
4021 3513 12	08-15
4021 4101 02	12-19
4021 4102 02	12-13
4021 4103 02	12-10
4021 4104 02	12-17
4021 4105 01	12-11
4021 4106 01	12-12
4021 4107 01	12-20
4021 4108 01	12-16
4021 4109 01	12-9
4021 4209 02	15-29
4021 4219 01	15-19
4021 4302 02	12-5
4021 4351 06	12-25
4021 4352 06	12-14
4021 4362 01	12-24
4021 4367 01	12-22
4021 4368 02	14-16
4021 5203 03	13-35
4021 5205 01	14-29
4021 5206 01	14-30
4021 5207 01	12-18
4021 5211 01	13-20

Parts No.	Page No.
4021 5212 02	13-19
4021 5213 01	13-18
4021 5214 01	13-23
4021 5219 01	13-45
4021 5220 01	14-31
4021 5221 01	13-29
4021 5224 02	13-44
4021 5225 01	13-9
4021 5226 01	13-15
4021 5227 01	13-22
4021 5231 01	13-12
4021 5232 01	13-13
4021 5235 03	13-32
4021 5301 02	11-11
4021 5302 01	11-22
4021 5303 01	11-15
4021 5304 01	11-2
4021 5305 02	11-26
4021 5306 02	11-30
4021 5307 02	11-29
4021 5309 01	11-21
4021 5310 01	11-16
4021 5311 01	11-28
4021 5312 01	11-27
4021 5313 04	11-1
4021 5314 01	11-9
4021 5315 01	11-6
4021 5316 02	11-23
4021 5601 06	12-26
4021 5604 02	12-1
4021 5606 01	14-21
4021 5607 02	14-34
4021 5608 01	14-35
4021 5609 01	14-33
4021 5611 01	14-32
4021 5614 02	14-24
4021 5615 01	14-25
4021 5616 01	14-27
4021 5617 01	14-23
4021 5618 01	14-11

Parts No.	Page No.	Parts No.	Page No.	Parts No.	Page No.	Parts No.	Page No.	Parts No.	Page No.
4021 5619 01	14-15	4034 0758 00	05-8	4034 1381 01	02-6	4034 2303 01	08-23	4034 3523 01	09-15
4021 5623 01	14-2	4034 0759 00	12-28	4034 1382 01	02-8	4034 2304 01	08-25	4034 3524 01	09-14
4021 5720 02	16-20	4034 1001 01	03-23	4034 1383 01	02-7	4034 2305 01	08-27	4034 3525 01	09-13
4021 5724 01	16-31	4034 1001 01	03-31	4034 1571 01	01-2	4034 2506 01	18-30	4034 3527 01	09-4
4021 5725 03	16-32	4034 1001 01	03-33	4034 2007 01	04-1	4034 2507 01	18-29	4034 3528 01	09-1
4021 5726 03	16-23	4034 1002 01	03-20	4034 2008 01	04-8	4034 2508 01	18-28	4034 3530 02	15-7
4021 5727 01	16-25	4034 1003 01	03-1	4034 2009 02	10-34	4034 2515 03	18-31	4034 3531 02	08-1
4021 5733 01	16-24	4034 1004 02	03-12	4034 2010 03	08-34	4034 2517 01	18-26	4034 3532 02	08-2
4021 5742 01	16-15	4034 1005 01	03-6	4034 2011 01	05-4	4034 2535 02	08-8	4034 3534 01	09-2
4021 5802 01	17-10	4034 1006 01	03-8	4034 2012 01	17-2	4034 2536 01	18-11	4034 3535 01	15-13
4021 5814 01	17-13	4034 1007 01	03-17	4034 2013 01	05-5	4034 2537 01	18-32	4034 3550 01	15-5
4021 5815 01	17-4	4034 1010 02	03-3	4034 2014 01	08-22	4034 2538 01	18-9	4034 5202 01	13-27
4021 5819 01	17-12	4034 1014 01	03-18	4034 2015 01	04-2	4034 2540 01	18-15	4034 5241 01	13-3
4021 5824 01	17-1	4034 1015 02	03-5	4034 2016 02	19-5	4034 3001 01	10-19	4034 5242 01	13-2
4021 6505 01	12-4	4034 1018 01	03-29	4034 2017 01	10-25	4034 3002 01	20-13	4034 5243 01	13-1
4021 6818 01	10-6	4034 1101 01	01-4	4034 2018 01	10-15	4034 3002 01	20-13	4034 5301 01	11-32
4021 6820 01	12-15	4034 1201 01	02-1	4034 2019 01	10-35	4034 3004 01	10-22	4034 5622 01	14-22
4021 6831 01	10-27	4034 1202 01	02-2	4034 2021 01	08-35	4034 3004 01	10-22	4034 5702 01	16-12
4021 6844 01	11-7	4034 1205 01	02-1	4034 2022 01	05-2	4034 3005 01	20-16	4034 5708 03	16-17
4021 7301 03	03-21	4034 1206 01	02-2	4034 2023 01	09-8	4034 3006 01	09-10	4034 5711 01	16-18
4021 7303 01	20-15	4034 1207 01	02-1	4034 2024 02	04-10	4034 3012 01	21-28	4034 5714 02	16-10
4021 7314 01	03-28	4034 1208 01	02-2	4034 2028 01	08-36	4034 3102 01	10-36	4034 5715 01	16-11
4021 7319 01	20-17	4034 1209 01	02-1	4034 2029 01	08-4	4034 3501 01	15-16	4034 5716 01	16-19
4021 7322 01	03-28	4034 1210 01	02-2	4034 2030 02	04-11	4034 3502 02	15-6	4034 5722 01	16-29
4021 7368 02	03-21	4034 1211 01	02-2	4034 2031 02	05-1	4034 3503 02	15-23	4034 5723 01	16-28
4021 7603 01	03-13	4034 1212 01	02-25	4034 2032 01	19-2	4034 3504 01	09-5	4034 5741 01	16-34
4028 0105 02	19-27	4034 1213 01	02-29	4034 2033 01	19-4	4034 3508 01	15-11	4034 5751 01	16-3
4028 7400 01	03-25	4034 1214 01	02-26	4034 2101 01	05-9	4034 3509 02	08-29	4034 5752 01	16-14
4030 2080 01	04-3	4034 1215 01	02-30	4034 2107 01	08-11	4034 3510 01	15-1	4034 5753 01	16-8
4030 5204 01	13-26	4034 1216 01	02-27	4034 2108 01	08-12	4034 3511 02	15-14	4034 5755 01	16-13
4030 7500 01	03-25	4034 1217 01	02-31	4034 2111 01	08-13	4034 3512 02	15-30	4034 5756 01	16-7
4034 0101 06	19-15	4034 1218 01	02-28	4034 2112 01	08-33	4034 3513 02	15-31	4034 5761 01	16-30
4034 0151 01	21-9	4034 1219 01	02-32	4034 2201 01	19-13	4034 3514 02	15-15	4034 5763 01	16-2
4034 0201 02	18-10	4034 1220 01	02-1	4034 2202 01	19-10	4034 3515 01	15-17	4034 5782 01	16-1
4034 0751 00	16-35	4034 1221 01	02-2	4034 2203 01	19-19	4034 3517 01	15-24	4034 5784 01	16-6
4034 0752 00	16-35	4034 1222 01	02-1	4034 2204 03	04-5	4034 3518 01	15-26	4034 5785 01	16-5
4034 0754 00	16-35	4034 1223 01	02-2	4034 2205 01	04-4	4034 3519 02	15-37	4034 5786 01	16-33
4034 0755 00	15-18	4034 1341 01	03-10	4034 2206 02	09-9	4034 3520 01	15-4	4034 5787 01	16-21
4034 0756 00	08-38	4034 1342 01	03-7	4034 2301 01	15-34	4034 3521 01	09-16	4034 5801 01	17-14
4034 0757 00	21-10	4034 1343 01	03-11	4034 2302 01	08-28	4034 3522 01	09-6	4034 5802 01	17-7

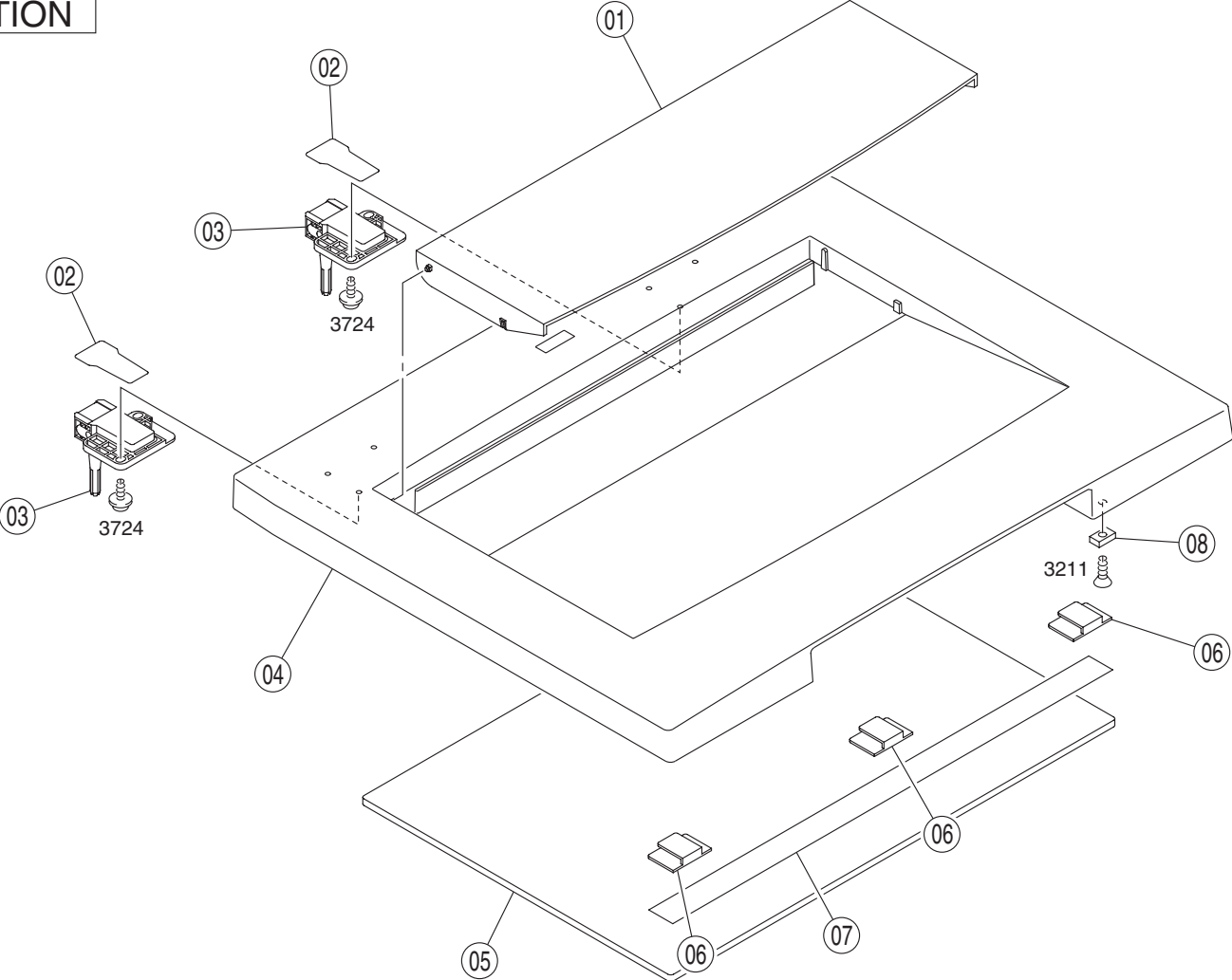
Parts No.	Page No.	Parts No.	Page No.	Parts No.	Page No.	Parts No.	Page No.	Parts No.	Page No.
4034 5803 01	17-8	4034 7305 01	15-3	4163 5237 01	13-36	4506 1036 01	07-21	4508 1044 01	07-37
4034 5804 01	17-16	4034 7306 01	15-2	4163 5241 03	13-38	4506 4008 01	07-10	4508 1045 01	07-4
4034 5805 02	17-11	4034 7307 01	10-2	4163 5244 01	13-39	4508 1001 01	06-13	4508 1046 01	07-6
4034 5806 02	17-6	4034 7308 01	10-2	4163 5245 01	13-31	4508 1002 01	02-5	4508 1047 01	07-5
4034 5807 02	17-3	4034 7309 01	03-19	4163 5252 04	13-25	4508 1003 01	02-20	4508 1048 01	07-3
4034 5808 01	17-9	4034 7310 01	15-35	4163 5260 01	13-28	4508 1004 01	02-19	4508 1049 01	07-1
4034 5809 01	17-26	4034 7311 01	03-15	4163 5271 01	13-34	4508 1005 01	02-15	4508 1050 01	07-2
4034 6052 01	02-24	4034 7312 01	03-14	4163 5272 01	13-37	4508 1006 01	02-3	4508 1051 01	07-15
4034 6053 01	02-24	4034 7316 01	03-28	4163 5293 01	08-24	4508 1008 01	07-42	4508 1052 01	07-14
4034 6201 02	19-22	4034 7318 01	03-22	4163 5293 01	11-3	4508 1009 01	06-1	4508 1053 01	07-12
4034 6202 02	19-22	4034 7327 01	03-26	4163 5293 01	12-23	4508 1010 01	07-34	4508 1054 01	07-16
4034 6205 03	19-8	4034 7328 01	03-22	4163 5293 01	13-17	4508 1011 01	07-38	4508 1055 01	07-17
4034 6801 01	04-6	4034 7402 01	16-9	4163 5293 01	15-28	4508 1012 01	07-39	4508 1056 01	07-18
4034 6805 01	19-23	4034 7403 01	16-9	4163 5293 01	17-15	4508 1013 01	07-20	4508 1057 01	07-36
4034 6806 01	19-29	4034 7404 01	16-9	4163 5293 01	20-10	4508 1014 01	06-2	4508 1058 01	07-19
4034 6810 02	18-13	4034 7406 01	03-16	4163 5296 02	13-4	4508 1015 01	07-35	4508 1059 01	07-31
4034 6811 01	19-12	4034 7801 01	19-16	4163 5298 01	13-11	4508 1016 01	07-26	4508 1060 01	07-30
4034 6812 01	19-11	4128 1978 01	05-7	4163 5603 02	14-19	4508 1017 01	06-9	4508 1061 01	07-23
4034 6813 01	19-9	4128 1979 01	05-6	4163 5604 03	14-6	4508 1018 01	06-8	4508 1062 01	07-28
4034 6815 01	08-21	4131 0902 01	09-17	4163 5605 03	14-36	4508 1019 01	06-5	4508 1063 01	07-27
4034 6816 01	10-14	4131 0902 01	10-18	4163 5606 04	14-4	4508 1019 01	06-17	4508 1064 01	07-24
4034 6817 01	19-28	4131 0902 01	10-38	4163 5607 02	14-3	4508 1020 01	06-7	4508 1065 01	07-25
4034 6819 01	08-18	4131 0902 01	10-38	4163 5609 01	14-13	4508 1021 01	06-6	4508 1066 01	07-32
4034 6821 01	18-14	4131 0902 01	16-27	4163 5611 01	14-12	4508 1023 01	06-4	4508 1067 01	07-33
4034 6822 01	09-7	4162 4074 01	14-7	4163 5612 02	12-2	4508 1024 01	02-13	4508 1068 01	07-13
4034 6825 02	19-14	4163 4072 01	14-9	4163 5614 01	14-18	4508 1025 01	02-12	4508 1069 01	02-14
4034 6827 01	16-26	4163 4103 01	12-8	4163 5617 01	14-5	4508 1026 01	06-14	4508 2036 01	02-34
4034 6830 01	10-24	4163 4104 02	12-7	4163 5620 01	14-1	4508 1027 01	06-12	4508 2038 01	02-34
4034 6834 01	19-7	4163 4116 01	12-21	4163 5625 01	14-14	4508 1028 01	06-11	4603 3205 01	10-4
4034 6835 01	08-7	4163 4361 04	14-8	4163 5639 01	14-26	4508 1029 01	06-10	4603 3218 01	10-29
4034 6836 01	19-6	4163 4370 01	14-10	4163 6051 01	13-42	4508 1030 01	07-41	4647 1039 01	02-17
4034 6837 01	05-12	4163 5101 01	13-24	4192 1464 01	15-9	4508 1031 01	07-40	4658 3035 02	21-2
4034 6840 01	15-8	4163 5102 01	11-24	4498 3388 01	09-18	4508 1032 01	02-4	4658 3040 01	21-7
4034 6847 01	19-24	4163 5102 01	13-16	4506 1002 01	02-18	4508 1033 01	02-11	4658 3046 01	21-26
4034 6860 01	02-10	4163 5217 01	13-33	4506 1004 01	02-22	4508 1035 01	06-15	4658 3047 01	21-6
4034 6880 01	08-21	4163 5221 01	13-43	4506 1005 01	02-16	4508 1037 01	02-21	4658 3516 01	18-34
4034 6881 02	19-20	4163 5226 01	13-10	4506 1021 01	07-7	4508 1038 01	06-16	4658 7305 01	03-30
4034 7301 01	03-26	4163 5229 02	13-30	4506 1029 01	07-29	4508 1041 01	06-3	4686 0902 01	10-17
4034 7302 01	02-33	4163 5230 03	13-8	4506 1034 01	07-11	4508 1042 01	07-9	4686 3304 01	04-9
4034 7303 01	03-22	4163 5231 02	13-14	4506 1035 01	07-22	4508 1043 01	07-8	4686 3304 01	10-33

Parts No.	Page No.
4686 3350 01	20-14
4687 3262 01	10-30
4687 7303 01	10-31
4689 2302 01	17-21
4690 0101 01	17-22
4690 0201 03	17-18
4690 2401 01	17-17
4690 6801 01	17-23
4690 6802 02	17-24
9312 1100 11	11-5
9313 1300 12	19-21
9313 1300 31	15-36
9314 1100 31	17-19
9314 1300 11	18-1
9314 2300 12	18-12
9321 2300 21	10-28
9321 2300 21	18-16
9322 1300 11	08-14
9326 1000 51	19-17
9326 1100 11	02-23
9326 2820 11	01-8
9331 1810 11	19-3
9331 2300 11	08-20
9332 5810 11	04-7
9335 1410 31	11-8
9335 1910 41	02-9
9335 1910 41	09-12
9372 2300 41	16-22
9381 4101 11	19-18
9381 4101 31	19-18
9381 4200 11	19-18
9381 4200 21	19-18
9381 4300 31	19-18
9381 4300 41	19-18
9381 4300 41	19-18
9381 4300 91	19-18
9384 1621 21	03-9
9384 1621 21	19-26
9384 1900 56	17-25
9384 1900 56	19-25

manuals4you.com

ORIGINAL COVER

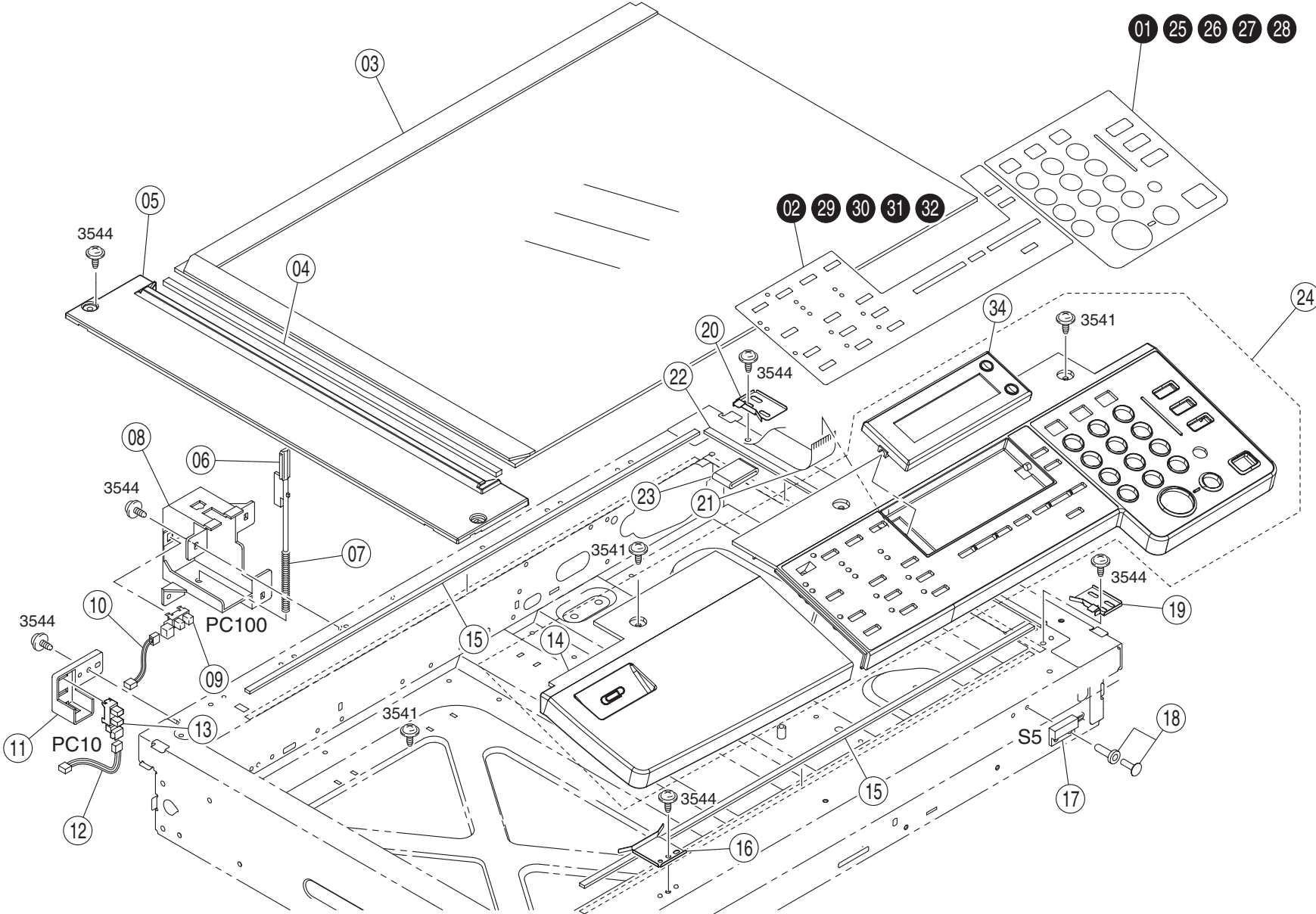
OPTION



ORIGINAL COVER

Key	Part No.	Description	Destinations	Class	QTY	Standard parts
1	1171 1126 01	ORIGINAL HOLDER	(OPTION)	D	1	
2	4034 1571 01	COVER	(OPTION)	D	1	
3	1139 1705 01	HINGE	(OPTION)	C	2	
4	4034 1101 01	COVER	(OPTION)	D	1	
5	1139 1704 14	PAD	(OPTION)	B	1	
6	1139 1703 02	SLIDER	(OPTION)	D	3	
7	1139 1706 01	SEAL	(OPTION)	C	1	
8	9326 2820 11	MAGNET	(OPTION)	D	1	

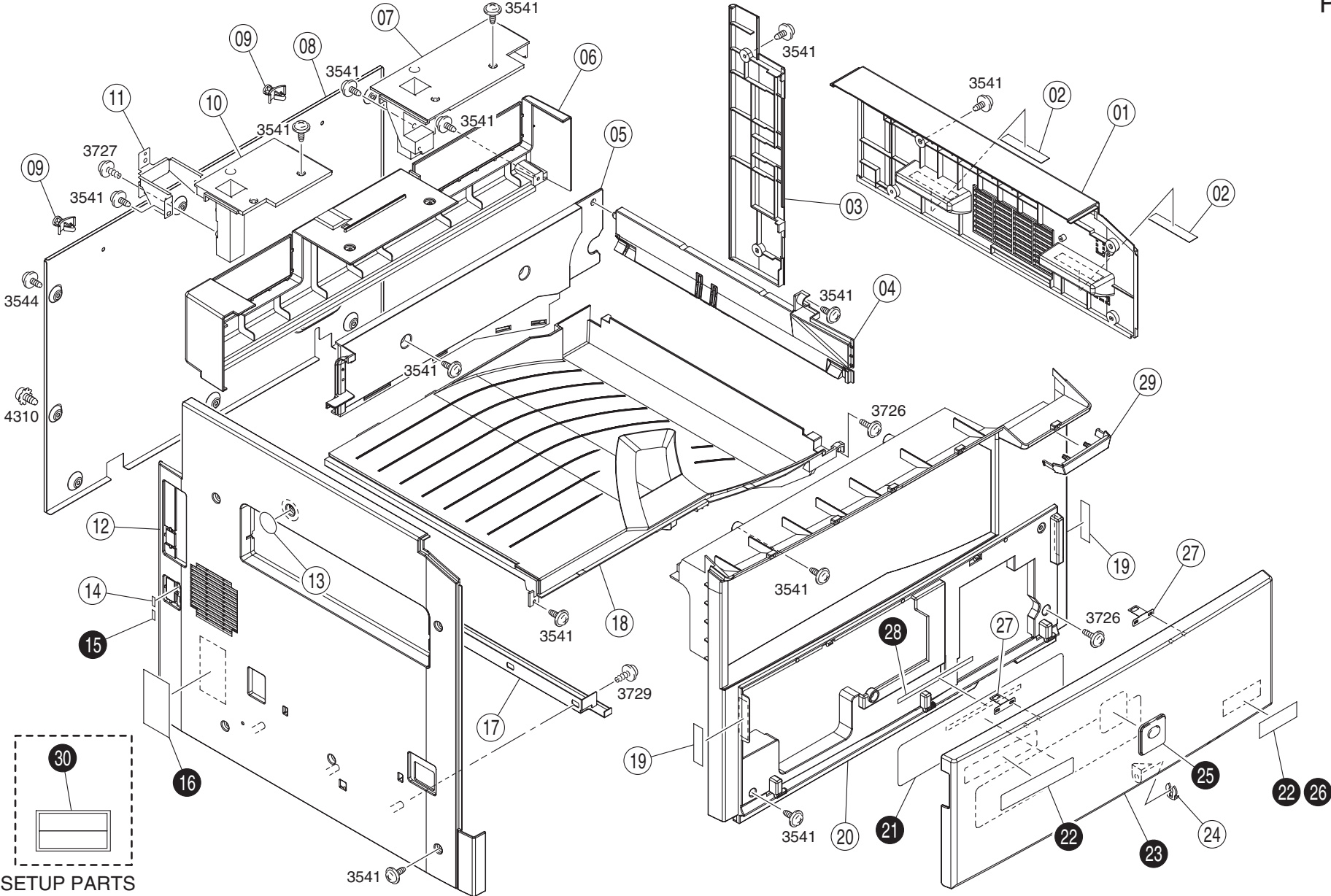
CONTROL PANEL



CONTROL PANEL

Key	Part No.	Description	Destinations	Class	QTY	Standard parts
1	4034 1201 01	PANEL SHEET	B,D1,D3,F,G,I,K(212,213,214,216,311,312,314,316)	S	1	
1	4034 1205 01	PANEL SHEET	H(313TRADITIONAL)	S	1	
1	4034 1207 01	PANEL SHEET	H,J(219SIMPLIFIED)	S	1	
1	4034 1209 01	PANEL SHEET	(261,262,263,264,361,364)	S	1	
1	4034 1220 01	PANEL SHEET	(363TAIWAN WORD)	S	1	
1	4034 1222 01	PANEL SHEET	(269CHINESE)	S	1	
2	4034 1202 01	PANEL SHEET	B,D1,D3,F,G,I,K(212,213,214,216,311,312,314,316)	S	1	
2	4034 1206 01	PANEL SHEET	H(313TRADITIONAL)	S	1	
2	4034 1208 01	PANEL SHEET	H,J(219SIMPLIFIED)	S	1	
2	4034 1210 01	PANEL SHEET	(261,262,263)	S	1	
2	4034 1211 01	PANEL SHEET	(264,361,364)	S	1	
2	4034 1221 01	PANEL SHEET	(363TAIWAN WORD)	S	1	
2	4034 1223 01	PANEL SHEET	(269CHINESE)	S	1	
3	4508 1006 01	ORIGINAL GLASS		D	1	
4	4508 1032 01	SEAL		D	1	
5	4508 1002 01	COVER		I	1	
6	4034 1381 01	LEVER		D	1	
7	4034 1383 01	PRESSURE SPRING		D	1	
8	4034 1382 01	HOLDER		D	1	
9	9335 1910 41	SOLID STATE SWITCH	(COVER(PC100))	C	1	
10	4034 6860 01	WIRE HARNESS ASSY		D	1	
11	4508 1033 01	COVER		D	1	
12	4508 1025 01	WIRE HARNESS ASSY		D	1	
13	4508 1024 01	SOLID STATE SWITCH	(SCANER(PC10))	C	1	
14	4508 1069 01	COVER		D	1	
15	4508 1005 01	SEAL		D	2	
16	4506 1005 01	SET PLATE		C	1	
17	4647 1039 01	MAGNETIC SW	(SIZE RESET(S5))	C	1	
18	4506 1002 01	PIN		D	1	
19	4508 1004 01	PLATE SPRING		D	1	
20	4508 1003 01	PLATE SPRING		C	1	
21	4508 1037 01	WIRE HARNESS ASSY		D	1	
22	4506 1004 01	CUSHION		C	1	
23	9326 1100 11	FERRITE CORE		D	1	
24	4034 6052 01	CONTROL PANEL ASSY	B,C,D1,D3,E,F,G,H,I,J,K	I	1	
24	4034 6053 01	CONTROL PANEL ASSY	(231)	I	1	
25	4034 1212 01	PANEL SHEET	(261FRENCH)	S	1	
26	4034 1214 01	PANEL SHEET	(261GERMAN)	S	1	
27	4034 1216 01	PANEL SHEET	(261ITALIAN)	S	1	
28	4034 1218 01	PANEL SHEET	(261,264)	S	1	
29	4034 1213 01	PANEL SHEET	(261FRENCH)	S	1	
30	4034 1215 01	PANEL SHEET	(261GERMAN)	S	1	
31	4034 1217 01	PANEL SHEET	(261ITALIAN)	S	1	
32	4034 1219 01	PANEL SHEET	(261,264)	S	1	
33	4034 7302 01	LABEL	B(311)	D	1	
34	4508 2036 01	LCD UNIT	B,C,D1,D3,E,F,G,H,I,J,K	D	1	
34	4508 2038 01	LCD UNIT	(231)	D	1	

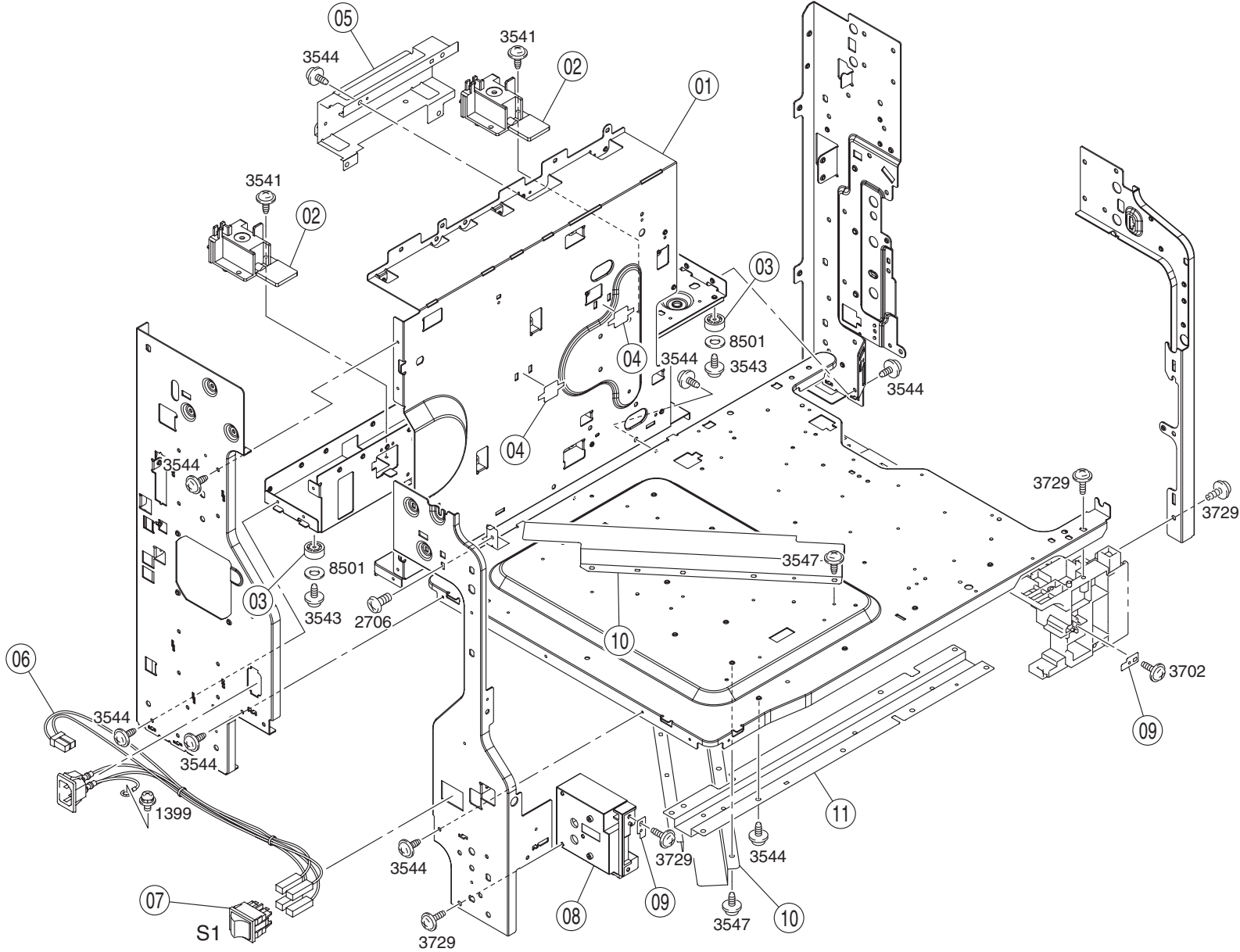
HOUSING



Di2011/Di1811P/Konica 7218/Konica 7220

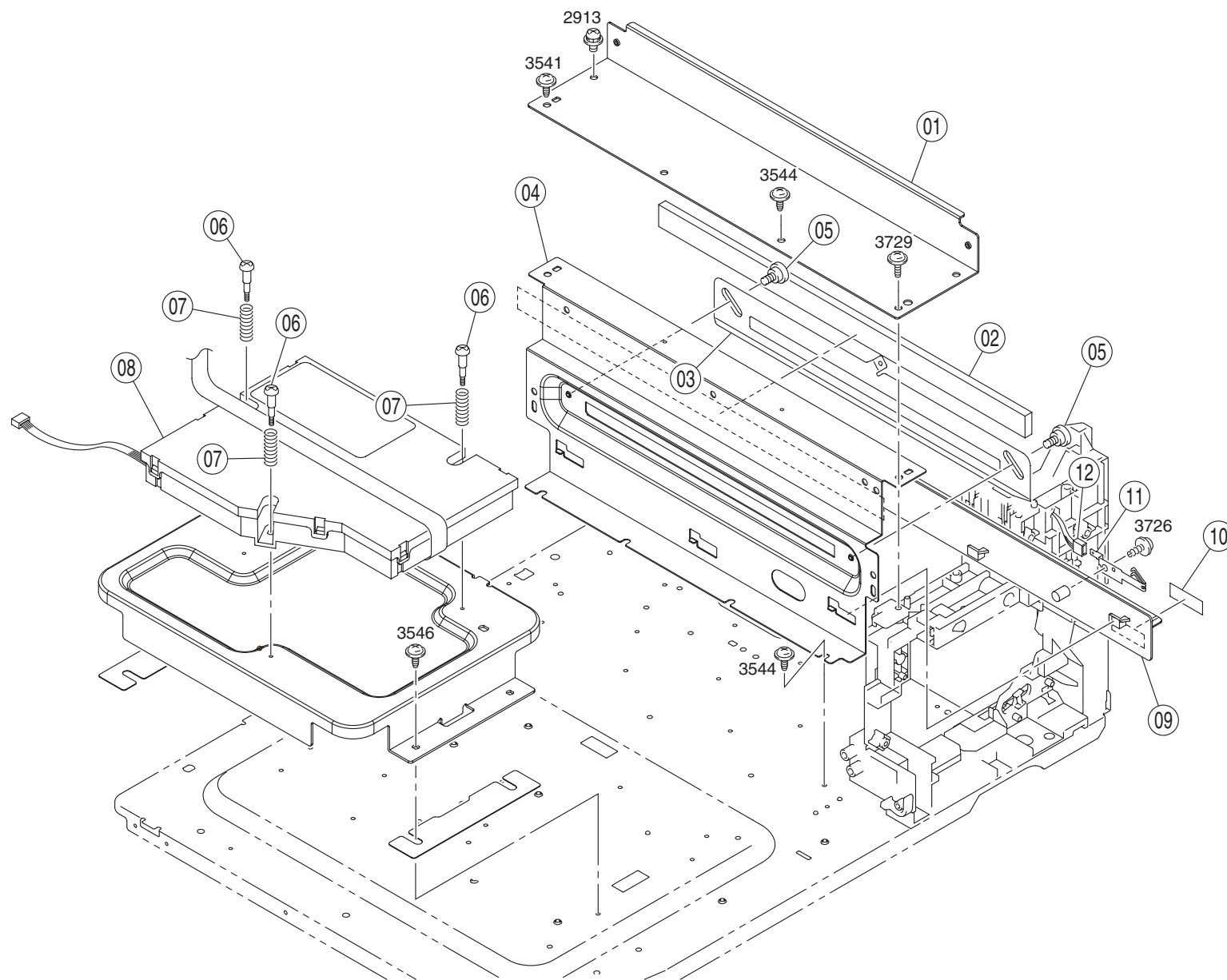
Key	Part No.	Description	Destinations	Class	QTY	Standard parts
1	4034 1003 01	COVER		D	1	
2	1164 1031 01	SEAL		C	2	
3	4034 1010 02	COVER		D	1	
4	4021 1017 02	COVER		D	1	
5	4034 1015 02	COVER		D	1	
6	4034 1005 01	REAR COVER		D	1	
7	4034 1342 01	HOLDER		D	1	
8	4034 1006 01	COVER		D	1	
9	9384 1621 21	PWB SUPPORT 6.4H		D	2	
10	4034 1341 01	HOLDER		D	1	
11	4034 1343 01	REINFORCE PLATE		D	1	
12	4034 1004 02	LEFT COVER		D	1	
13	4021 7603 01	SEAL		D	1	
14	4034 7312 01	LABEL		D	1	
15	4034 7311 01	LABEL	B,D1,D3,E,F,G,H,I,J,K	D	1	
16	4034 7406 01	LABEL	B,C,D1,D3,F,G,I,K(211,212,213,216,221,231,261,262,263,264)	D	1	
17	4034 1007 01	GUIDE		D	1	
18	4034 1014 01	TRAY		D	1	
19	4034 7309 01	LABEL		D	2	
20	4034 1002 01	COVER		D	1	
21	4021 7301 03	LABEL	B,C,D1,D3,F,G,H,I,J,K(211,212,213,214,216,219,221,231,311,312,313,314,316)	D	1	
21	4021 7368 02	LABEL	(261,262,263,264,269,361,363,364)	D	1	
22	4034 7303 01	LABEL	(262,363,364)	D	1	
22	4034 7328 01	LABEL	(264,361)	C	1	
22	4034 7318 01	LABEL	(261,263,269)	D	1	
23	4021 1001 15	COVER	B,D1,D3,F,G,I,K(212,214,314,363)	D	1	
23	4034 1001 01	COVER	B,C,D1,D3,G,H,I,J(211,213,216,219,261,262,263,264,269,311,312,313,316,361)	D	1	
24	1033 4402 01	STOPPER RING		D	1	
25	4028 7400 01	LABEL	B,C,D1,D3,F,G,H,I,J,K(211,212,213,214,216,219,231,311,312,313,314,316)	D	1	
25	4030 7500 01	LABEL LOGO MARK	(261,264,269,361)	D	1	
26	4034 7327 01	LABEL	B(311)	D	1	
26	4034 7301 01	LABEL	B,C,D1,D3,F,G,H,I,J,K(211,212,213,214,216,219,231,312,313,314,316)	D	1	
27	4021 1009 01	REINFORCE PLATE		C	2	
28	4021 7314 01	LABEL	B,D1,D3,F,G,H,I,K(212,213,214,216,311,312,313,314,316)	D	1	
28	4021 7322 01	LABEL	H,J(219)	D	1	
28	4034 7316 01	LABEL	C,(211,221,231)	D	1	
29	4034 1018 01	COVER		D	1	
30	4658 7305 01	LABEL	H,J(219,269)	D	1	
31	4034 1001 01	COVER	(364)	D	1	
32	4021 1001 15	COVER	C(221)	D	1	
33	4034 1001 01	COVER	(231)	D	1	

FRAMES (A)



FRAMES (A)

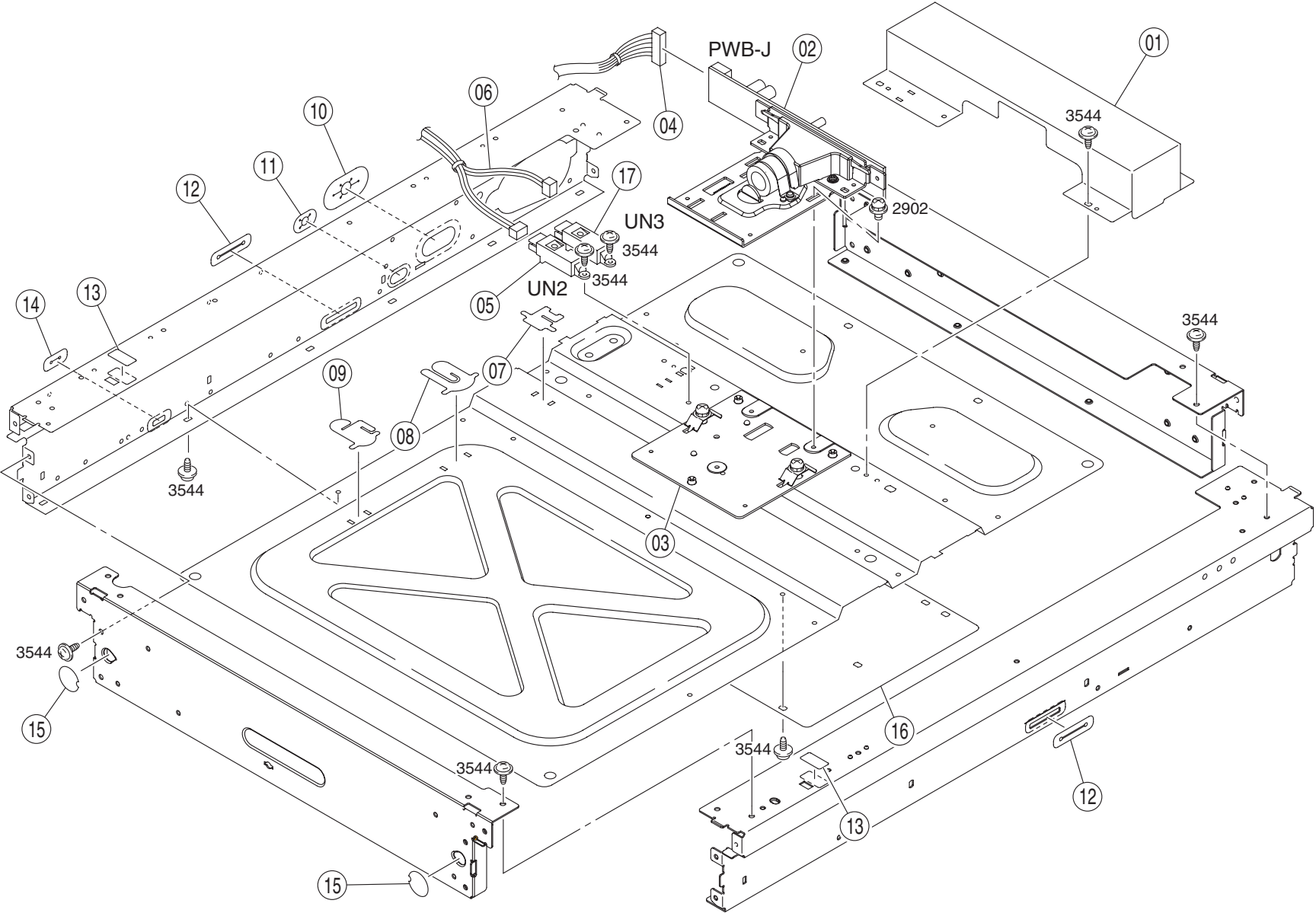
Key	Part No.	Description	Destinations	Class	QTY	Standard parts
1	4034 2007 01	BRACKET		D	1	
2	4034 2015 01	STOP PLATE		D	2	
3	4030 2080 01	RUBBER FOOT		D	2	
4	4034 2205 01	SUPPORTER		D	2	
5	4034 2204 03	BRACKET		D	1	
6	4034 6801 01	WIRE HARNESS ASSY		D	1	
7	9332 5810 11	SWITCH	(MAIN(S1))	C	1	
8	4034 2008 01	FRAME		D	1	
9	4686 3304 01	STOPPER		D	2	
10	4034 2024 02	REINFORCE PLATE		D	2	
11	4034 2030 02	REINFORCE PLATE		D	1	



FRAMES (B)

Key	Part No.	Description	Destinations	Class	QTY	Standard parts
1	4034 2031 02	BRACKET		D	1	
2	4034 2022 01	SEAL		D	1	
3	4021 2014 12	SHUTTER		D	1	
4	4034 2011 01	BRACKET		D	1	
5	4034 2013 01	SHOULDER SCREW		D	2	
6	4128 1979 01	SHOULDER SCREW		C	3	
7	4128 1978 01	PRESSURE SPRING		C	3	
8	4034 0758 00	P/H ASSY		I	1	
9	4034 2101 01	HOLDER		D	1	
10	1129 7303 01	LABEL HI-VOL CAUTION		D	1	
11	4021 2110 01	CONTACT		C	1	
12	4034 6837 01	WIRE HARNESS ASSY		C	1	

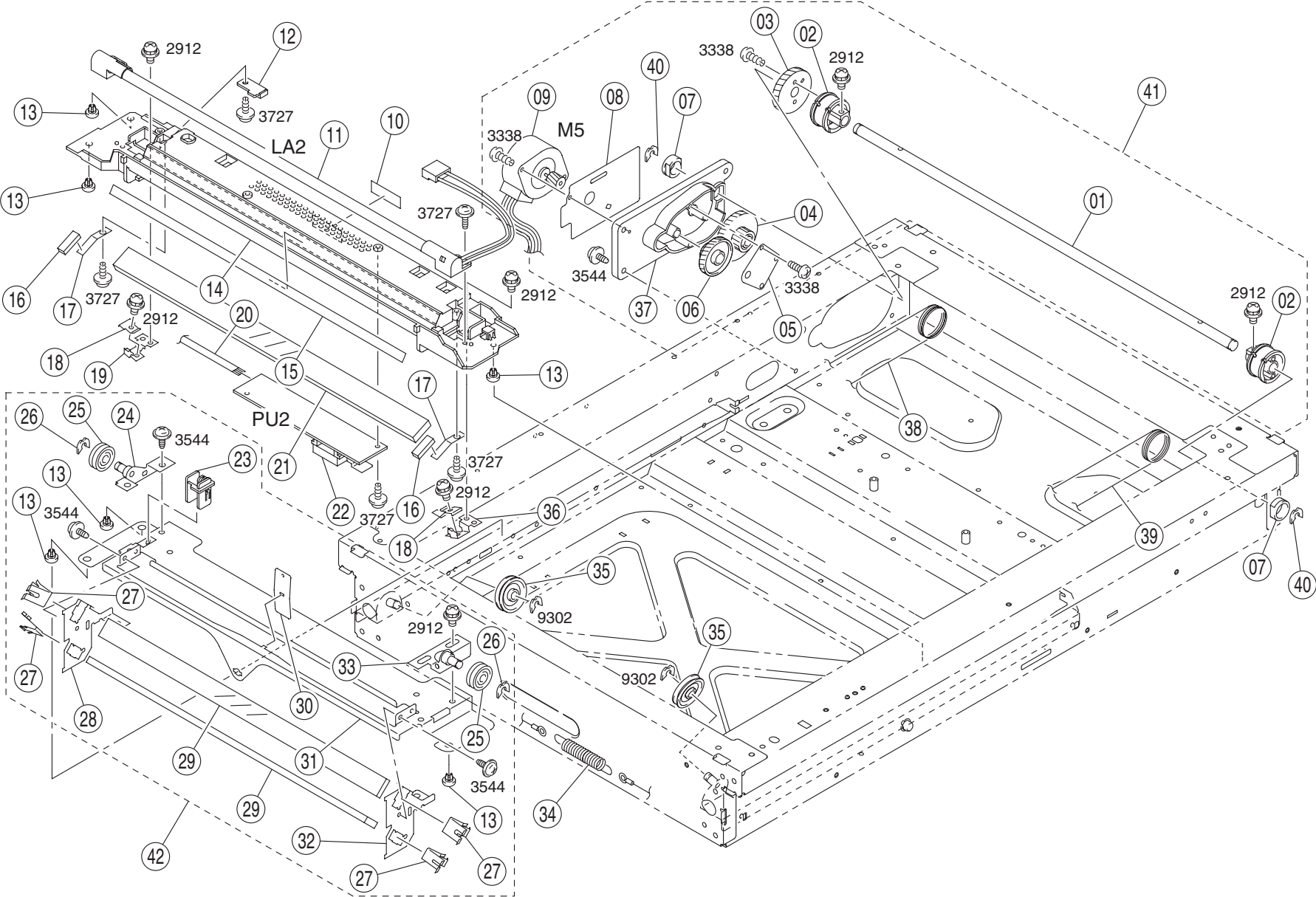
IR FRAME



IR FRAME

Key	Part No.	Description	Destinations	Class	QTY	Standard parts
1	4508 1009 01	COVER		D	1	
2	4508 1014 01	LENS ASSY	((PWB-J))	I	1	
3	4508 1041 01	PLATE		I	1	
4	4508 1023 01	WIRE HARNESS ASSY		D	1	
5	4508 1019 01	SOLID STATE SWITCH	(SIZE(UN2))	C	1	
6	4508 1021 01	WIRE HARNESS ASSY		D	1	
7	4508 1020 01	SEAL		D	1	
8	4508 1018 01	SEAL		D	1	
9	4508 1017 01	SEAL		D	1	
10	4508 1029 01	SEAL		D	1	
11	4508 1028 01	SEAL		D	1	
12	4508 1027 01	SEAL		D	2	
13	4508 1001 01	SEAL		D	2	
14	4508 1026 01	SEAL		D	1	
15	4508 1035 01	SEAL		D	2	
16	4508 1038 01	SET PLATE		D	1	
17	4508 1019 01	SOLID STATE SWITCH	(OPTION(UN3))	C	1	

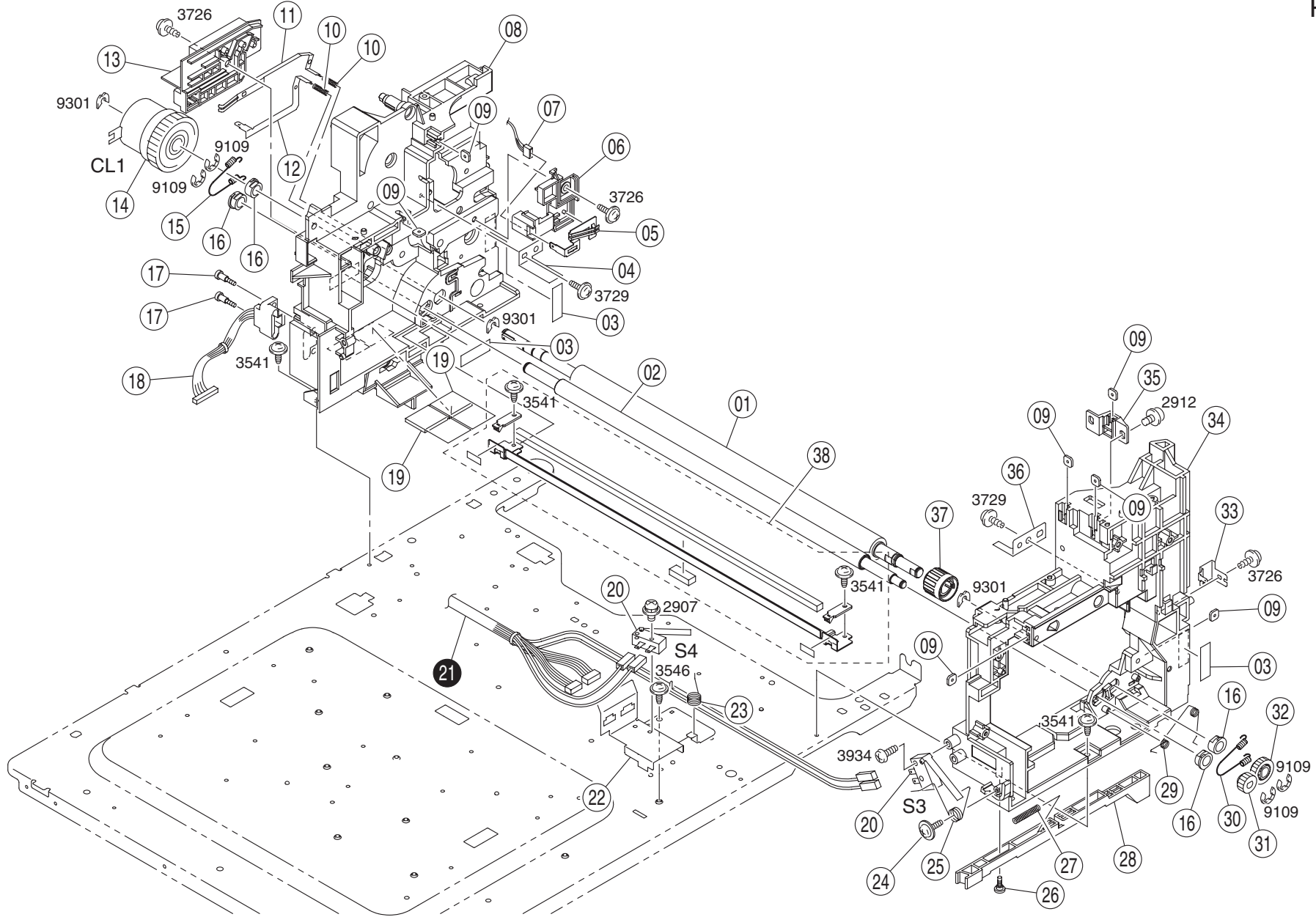
SLIDER SECTION



SLIDER SECTION

Key	Part No.	Description	Destinations	Class	QTY	Standard parts
1	4508 1049 01	SHAFT		D	1	
2	4508 1050 01	PULLEY		D	2	
3	4508 1048 01	GEAR		D	1	
4	4508 1045 01	GEAR		D	1	
5	4508 1047 01	WASHER		D	1	
6	4508 1046 01	GEAR		D	1	
7	4506 1021 01	BUSHING		C	2	
8	4508 1043 01	BRACKET		D	1	
9	4508 1042 01	MOTOR	(SCANNER(M5))	B	1	
10	4506 4008 01	LABEL		D	1	
11	4506 1034 01	LAMP	((LA2))	B	1	
12	4508 1053 01	STOPPER		D	1	
13	4508 1068 01	SLIDER		D	6	
14	4508 1052 01	FRAME		D	1	
15	4508 1051 01	REFLECTOR		C	1	
16	4508 1054 01	SEAL		D	2	
17	4508 1055 01	HOLDER		D	2	
18	4508 1056 01	SET PLATE		D	2	
19	4508 1058 01	BRACKET		D	1	
20	4508 1013 01	WIRE HARNESS ASSY		D	1	
21	4506 1036 01	MIRROR		C	1	
22	4506 1035 01	INVERTER	(INVERTER(PU2))	I	1	
23	4508 1061 01	GUIDE		D	1	
24	4508 1064 01	BRACKET		D	1	
25	4508 1065 01	PULLEY		D	2	
26	4508 1016 01	WASHER		D	2	
27	4508 1063 01	PLATE SPRING		D	4	
28	4508 1062 01	BRACKET		D	1	
29	4506 1029 01	MIRROR		C	2	
30	4508 1060 01	PLATE SPRING		D	1	
31	4508 1059 01	FRAME		D	1	
32	4508 1066 01	BRACKET		D	1	
33	4508 1067 01	BRACKET		D	1	
34	4508 1010 01	TENSION SPRING		D	1	
35	4508 1015 01	PULLEY		D	2	
36	4508 1057 01	BRACKET		D	1	
37	4508 1044 01	HOLDER		D	1	
38	4508 1011 01	WIRE		D	1	
39	4508 1012 01	WIRE		D	1	
40	4508 1031 01	WASHER		D	2	
41	4508 1030 01	DRIVING ASSY		C	1	
42	4508 1008 01	2ND SLIDE ASSY		S	1	

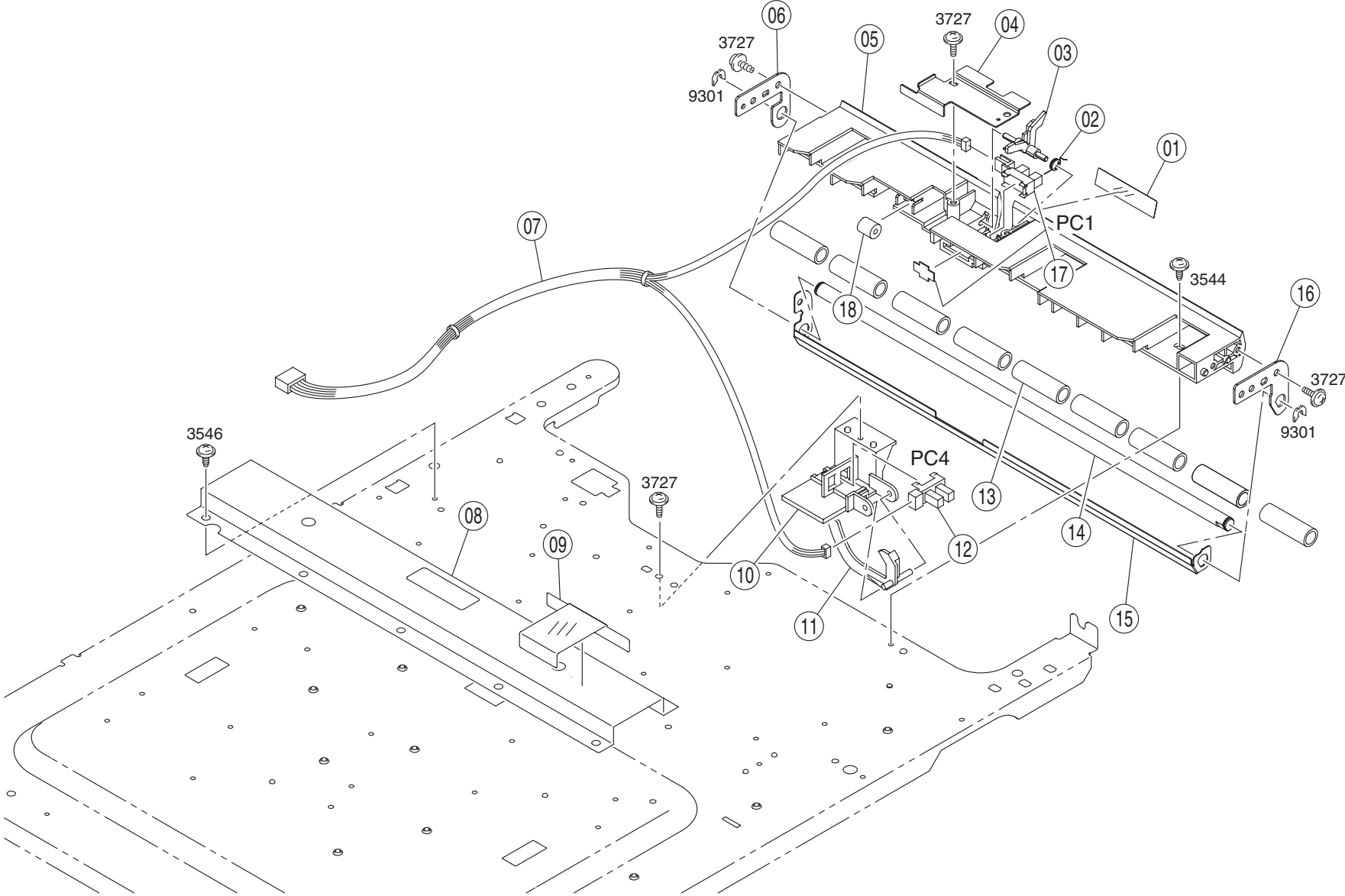
PAPER TAKE-UP SECTION (A)



PAPER TAKE-UP SECTION (A)

Key	Part No.	Description	Destinations	Class	QTY	Standard parts
1	4034 3531 02	ROLLER		C	1	
2	4034 3532 02	ROLLER		C	1	
3	1129 7303 01	LABEL HI-VOL CAUTION		D	3	
4	4034 2029 01	POSITIONING PLATE		D	1	
5	4021 2106 01	CONTACT		C	1	
6	4021 2103 02	HOLDER		D	1	
7	4034 6835 01	WIRE HARNESS ASSY		D	1	
8	4034 2535 02	FRAME		D	1	
9	1100 3130 08	PLATE NUT		D	7	
10	4021 2101 01	PRESSURE SPRING		C	2	
11	4034 2107 01	CONTACT		D	1	
12	4034 2108 01	CONTACT		D	1	
13	4034 2111 01	COVER		D	1	
14	9322 1300 11	CLUTCH	((CL1))	I	1	
15	4021 3513 12	TENSION SPRING		C	1	
16	1164 3509 01	BUSHING		C	4	
17	4021 2018 01	SHOULDER SCREW		D	2	
18	4034 6819 01	WIRE HARNESS ASSY		D	1	
19	4021 2031 01	CUSHION		C	2	
20	9331 2300 11	MICRO-SWITCH	(DOOR(S3.4))	C	2	
21	4034 6815 01	WIRE HARNESS ASSY	B,F,G,H(311,312,313,314,316,361,363,364)	D	1	
21	4034 6880 01	WIRE HARNESS ASSY	B,C,D1,D3,F,G,H,I,J,K(211,212,213,214,216,219,221,231,261,262,263,264,269)	D	1	
22	4034 2014 01	BRACKET		D	1	
23	4034 2303 01	TORSION SPRING		D	1	
24	4163 5293 01	SCREW		C	1	
25	4034 2304 01	TORSION SPRING		D	1	
26	4021 2316 01	SHOULDER SCREW		D	1	
27	4034 2305 01	PRESSURE SPRING		D	1	
28	4034 2302 01	ARM		D	1	
29	4034 3509 02	CONTACT		D	1	
30	4021 3512 12	TENSION SPRING		C	1	
31	1164 3515 01	GEAR 13T		A	1	
32	1164 3508 01	GEAR 18T		C	1	
33	4034 2112 01	CONTACT		D	1	
34	4034 2010 03	RAIL		D	1	
35	4034 2021 01	BRACKET		D	1	
36	4034 2028 01	BRACKET		D	1	
37	4021 3505 01	KNOB		C	1	
38	4034 0756 00	CLEANING PAD		A	1	

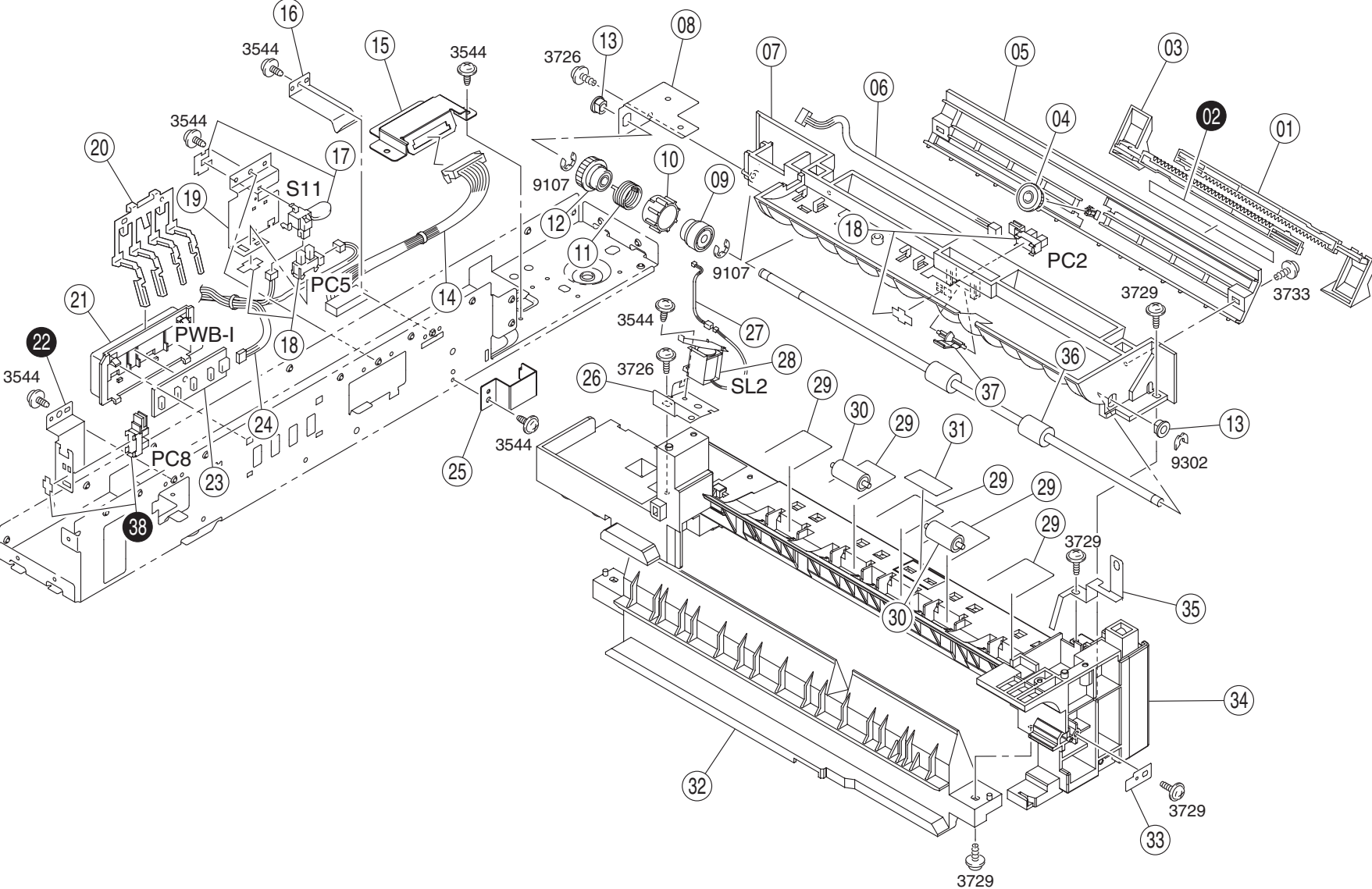
PAPER TAKE-UP SECTION (B)



PAPER TAKE-UP SECTION (B)

Key	Part No.	Description	Destinations	Class	QTY	Standard parts
1	4034 3528 01	GUIDE		D	1	
2	4034 3534 01	TORSION SPRING		D	1	
3	4021 3504 01	ACTUATOR		C	1	
4	4034 3527 01	COVER		D	1	
5	4034 3504 01	HOLDER		D	1	
6	4034 3522 01	BRACKET		D	1	
7	4034 6822 01	WIRE HARNESS ASSY		D	1	
8	4034 2023 01	REINFORCE PLATE		D	1	
9	4034 2206 02	INSULATING MEMBER		D	1	
10	4034 3006 01	HOLDER		D	1	
11	1164 3027 01	ACTUATOR		C	1	
12	9335 1910 41	SOLID STATE SWITCH	(EMPTY(PC4))	C	1	
13	4034 3525 01	ROLLER		D	9	
14	4034 3524 01	SHAFT		D	1	
15	4034 3523 01	GUIDE PLATE		D	1	
16	4034 3521 01	BRACKET		D	1	
17	4131 0902 01	PHOTO INTERRUPTER	(TIMING(PC1))	B	1	
18	4498 3388 01	COLLAR		D	1	

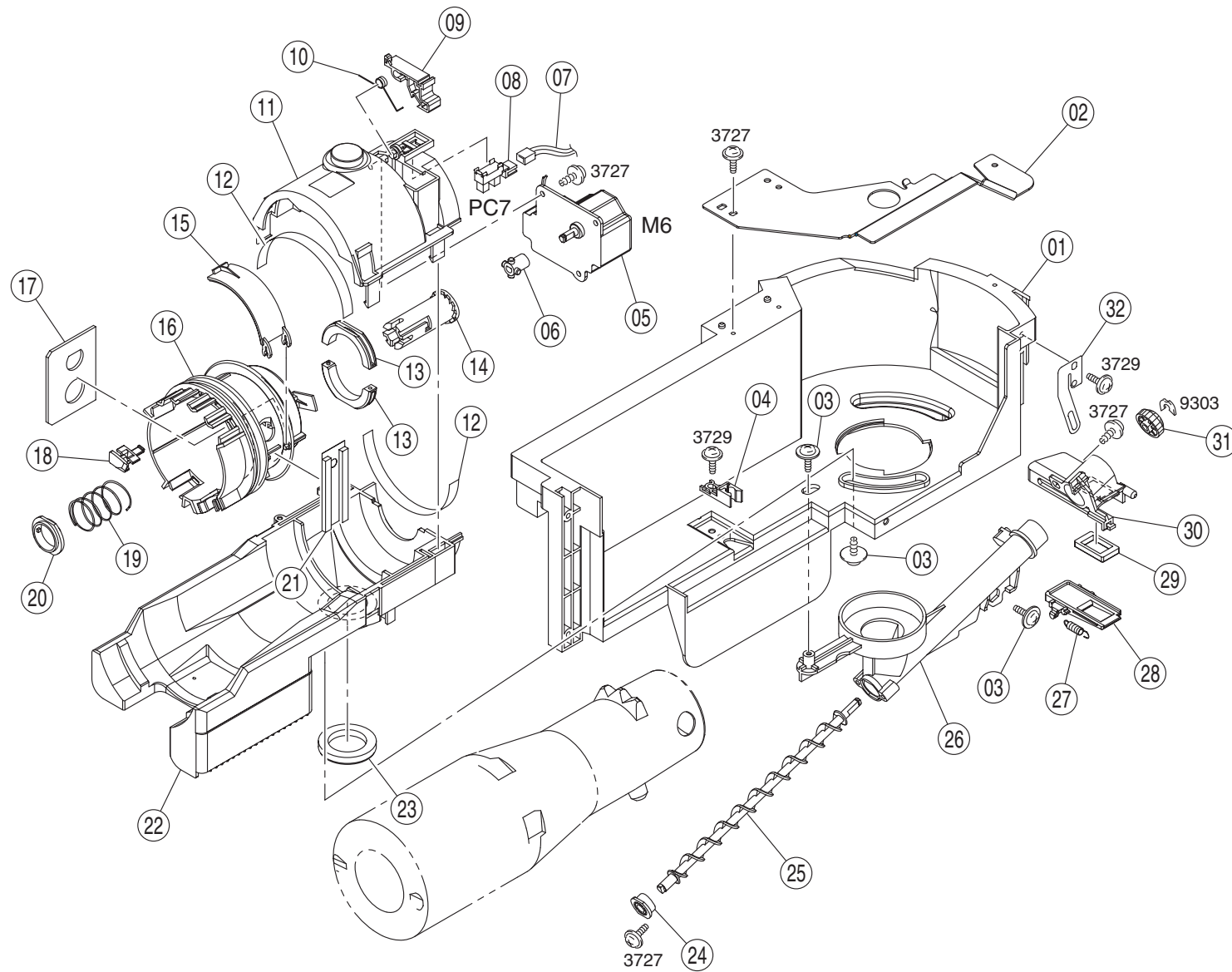
MANUAL FEED SECTION



MANUAL FEED SECTION

Key	Part No.	Description	Destinations	Class	QTY	Standard parts
1	4021 3111 01	REGULATING PLATE		D	1	
2	4034 7307 01	LABEL	B,C,D1,D3,F,G,H,I,J,K	D	1	
2	4034 7308 01	LABEL	B,G(214,264,311,312,361)	D	1	
3	4021 3112 01	REGULATING PLATE		D	1	
4	4603 3205 01	GEAR		C	1	
5	4021 3110 03	GUIDE		D	1	
6	4021 6818 01	WIRE HARNESS ASSY		D	1	
7	4021 3101 02	COVER		D	1	
8	4021 3104 01	BRACKET		D	1	
9	4021 3105 01	COLLAR		D	1	
10	4021 3106 01	RATCHET		C	1	
11	4021 3108 01	SPRING		C	1	
12	4021 3103 01	GEAR		C	1	
13	1274 2611 01	BUSHING		C	2	
14	4034 6816 01	WIRE HARNESS ASSY		D	1	
15	4034 2018 01	BRACKET		D	1	
16	1164 3054 01	PLATE SPRING		C	1	
17	4686 0902 01	PUSHBUTTON SWITCH	((S11))	C	1	
18	4131 0902 01	PHOTO INTERRUPTER	(SET(PC2.PC5))	B	2	
19	4034 3001 01	BRACKET		D	1	
20	1164 3020 03	LEVER		C	1	
21	4011 3012 01	HOLDER		D	1	
22	4034 3004 01	BRACKET	B,G(213,312,316)	D	1	
22	4034 3004 01	BRACKET	(262,263)	D	1	
23	4011 0111 01	PWB-I	(SIZE(PWB-I))	C	1	
24	4034 6830 01	WIRE HARNESS ASSY		D	1	
25	4034 2017 01	GUIDE		D	1	
26	4021 3107 01	BRACKET		D	1	
27	4021 6831 01	WIRE HARNESS ASSY		D	1	
28	9321 2300 21	SOLENOID	((SL2))	I	1	
29	4603 3218 01	SPRING		C	5	
30	4687 3262 01	ROLL		C	2	
31	4687 7303 01	LABEL		D	1	
32	4021 2025 01	RAIL		D	1	
33	4686 3304 01	STOPPER		D	1	
34	4034 2009 02	GUIDE		D	1	
35	4034 2019 01	PLATE SPRING		D	1	
36	4034 3102 01	ROLLER		A	1	
37	4011 3205 01	ACTUATOR		C	1	
38	4131 0902 01	PHOTO INTERRUPTER	B,G(213,312,316)	B	1	
38	4131 0902 01	PHOTO INTERRUPTER	(262,263)	B	1	

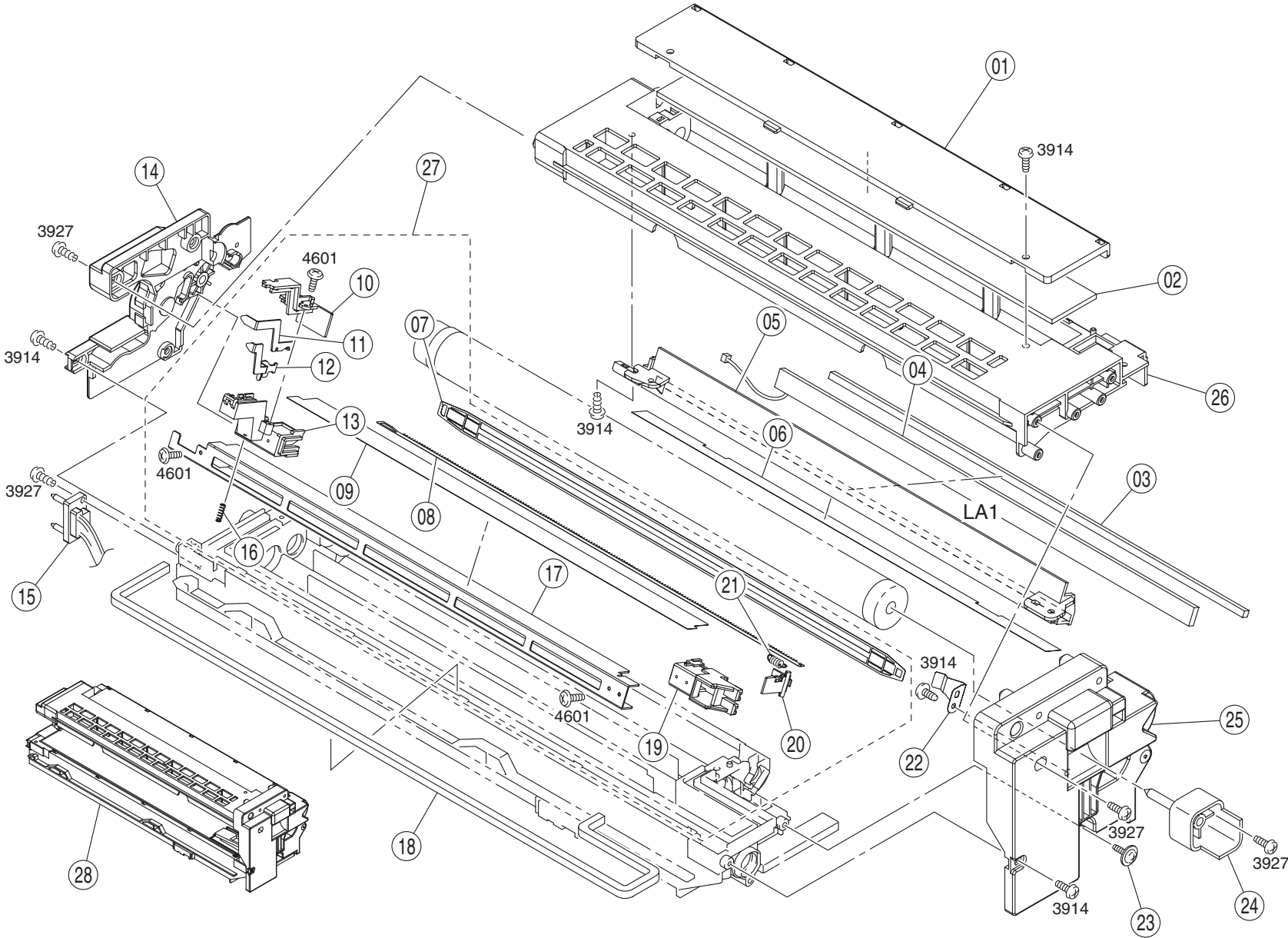
HOPPER SECTION



HOPPER SECTION

Key	Part No.	Description	Destinations	Class	QTY	Standard parts
1	4021 5313 04	HOLDER		D	1	
2	4021 5304 01	BRACKET		D	1	
3	4163 5293 01	SCREW		C	3	
4	1139 5015 01	LOCK LEVER		D	1	
5	9312 1100 11	MOTOR	(TONER(M6))	C	1	
6	4021 5315 01	PIN		C	1	
7	4021 6844 01	WIRE HARNESS ASSY		D	1	
8	9335 1410 31	PHOTO INTERRUPTER	(HOME(PC7))	C	1	
9	4021 5314 01	LEVER		C	1	
10	1139 5022 01	TORSION SPRING		C	1	
11	4021 5301 02	HOLDER		D	1	
12	1139 5026 01	POLYESTER FILM		C	2	
13	1151 5023 01	SUPPORT		C	2	
14	1165 5326 02	SHAFT		D	1	
15	4021 5303 01	SHUTTER		D	1	
16	4021 5310 01	COUPLING		D	1	
17	1174 5010 01	SHEEL		C	1	
18	1139 5018 04	DETECTING PLATE		D	3	
19	1151 5033 02	PRESSURE SPRING		C	1	
20	1151 5032 01	COLLAR		D	1	
21	4021 5309 01	SEAL		C	1	
22	4021 5302 01	HOLDER		D	1	
23	4021 5316 02	SEAL		C	1	
24	4163 5102 01	BUSHING		C	1	
25	4021 0162 01	SCREW ASSY		D	1	
26	4021 5305 02	TRANSPORT PIPE		D	1	
27	4021 5312 01	SPRING		D	1	
28	4021 5311 01	SHUTTER		D	1	
29	4021 5307 02	SEAL		D	1	
30	4021 5306 02	DUCT		D	1	
31	1139 5730 01	GEAR 18T		C	1	
32	4034 5301 01	SPRING		D	1	

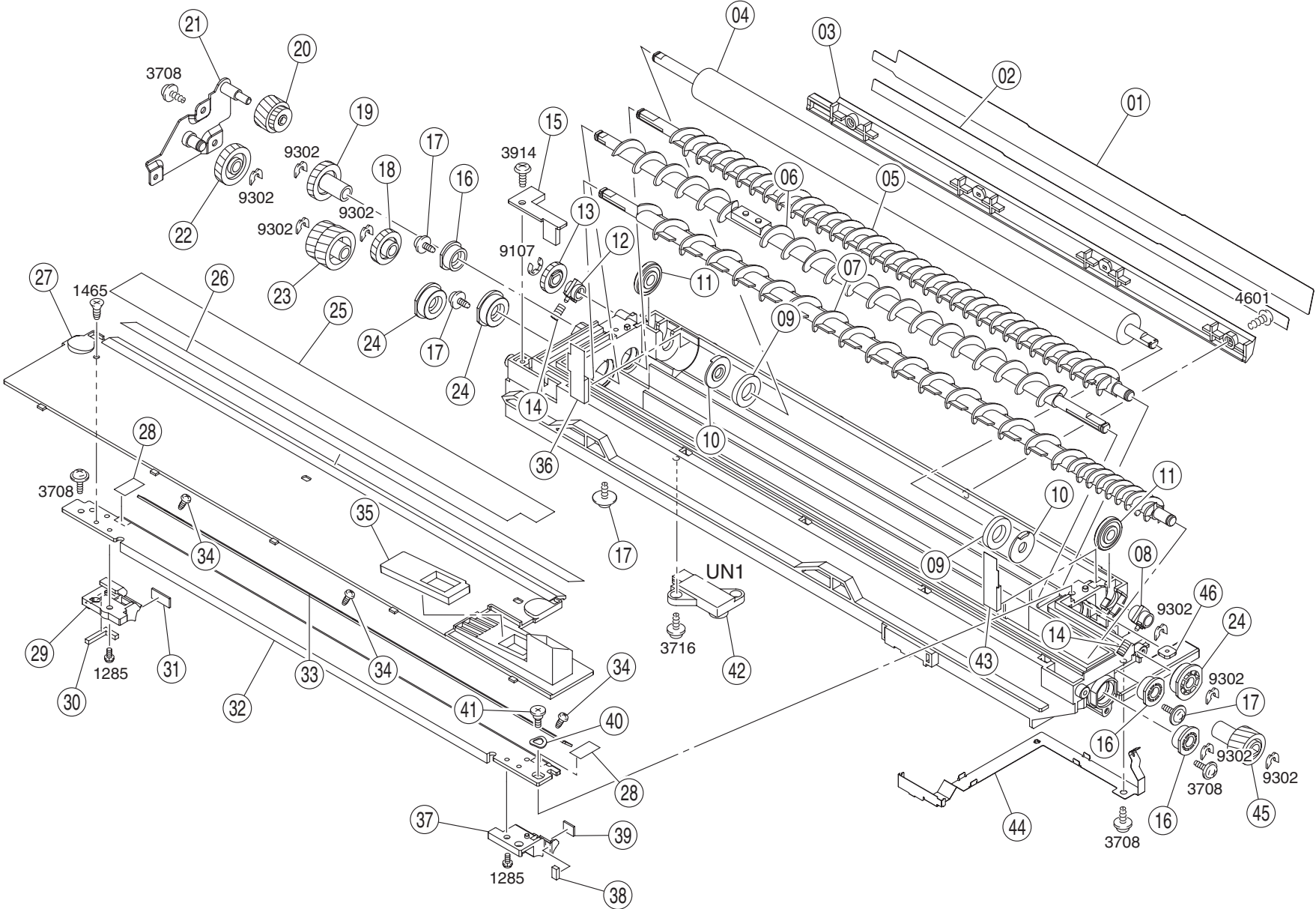
CHARGE SECTION



Di2011/Di1811P/Konica 7218/Konica 7220

CHARGE SECTION

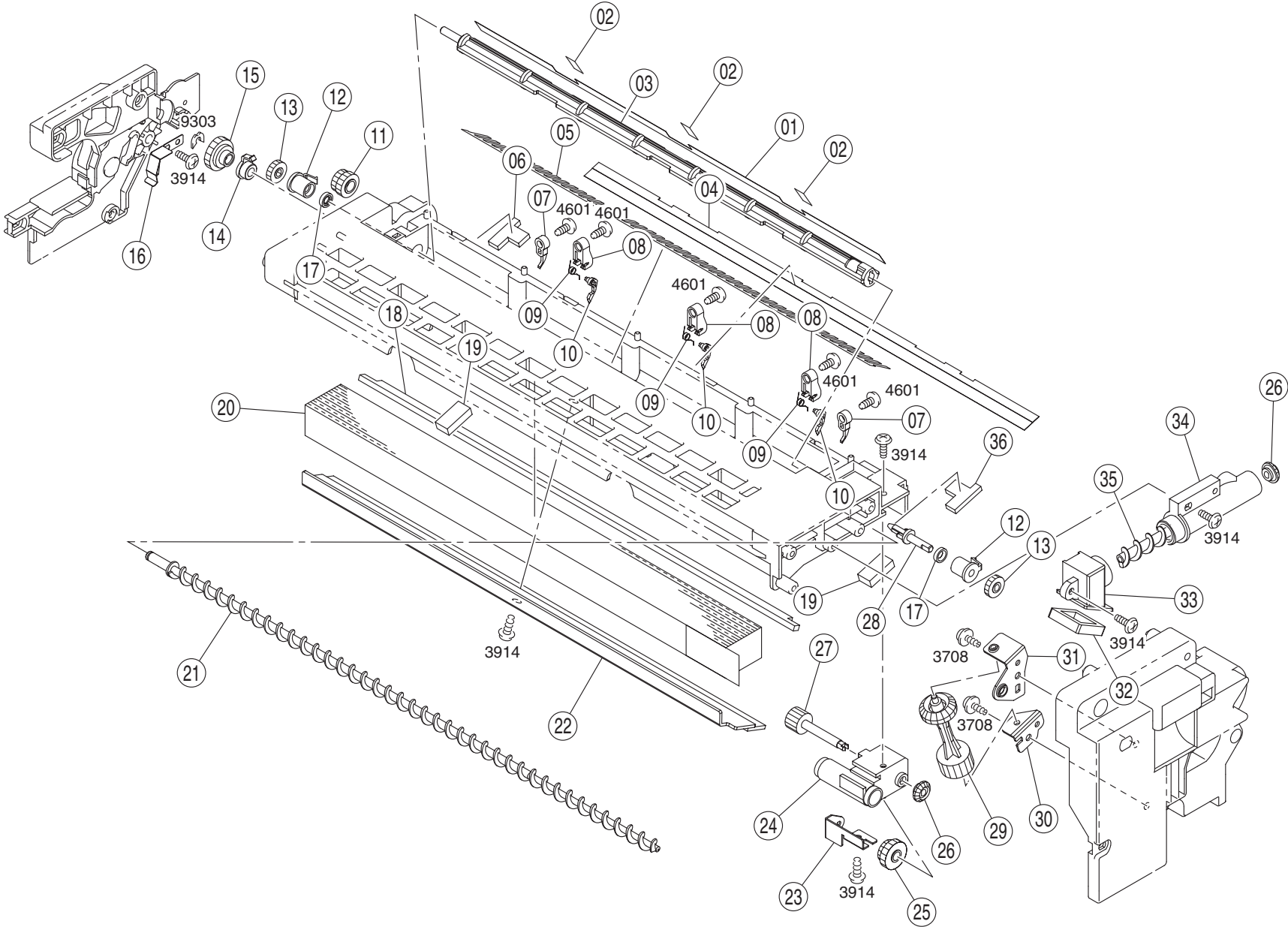
Key	Part No.	Description	Destinations	Class	QTY	Standard parts
1	4021 5604 02	LID		D	1	
2	4163 5612 02	SEAL		C	1	
3	1165 4307 01	SEAL		C	1	
4	4021 6505 01	LED PILOT LAMP	((LA1))	B	1	
5	4021 4302 02	HOLDER		D	1	
6	1165 4310 01	SEAL		C	1	
7	4163 4104 02	GRID		B	1	
8	4163 4103 01	ELECTRODE NEEDLE		B	1	
9	4021 4109 01	SHIELD PLATE		C	1	
10	4021 4103 02	COVER		D	1	
11	4021 4105 01	TERMINAL		D	1	
12	4021 4106 01	TERMINAL		D	1	
13	4021 4102 02	HOLDER		D	1	
14	4021 4352 06	BRACKET		D	1	
15	4021 6820 01	WIRE HARNESS ASSY		D	1	
16	4021 4108 01	SPRING		D	1	
17	4021 4104 02	PLATE		D	1	
18	4021 5207 01	SEAL		C	1	
19	4021 4101 02	HOLDER		D	1	
20	4021 4107 01	LEVER		C	1	
21	4163 4116 01	TENSION SPRING		C	1	
22	4021 4367 01	PLATE SPRING		D	1	
23	4163 5293 01	SCREW		C	1	
24	4021 4362 01	PIN		S	1	
25	4021 4351 06	BRACKET		D	1	
26	4021 5601 06	HOUSING		D	1	
27	4021 0306 02	DRUM CHARGE UNIT		A	1	
28	4034 0759 00	IU ASSY		S	1	



DEVELOPING SECTION

Key	Part No.	Description	Destinations	Class	QTY	Standard parts
1	4034 5243 01	GUIDE		D	1	
2	4034 5242 01	GUIDE		D	1	
3	4034 5241 01	GUIDE		D	1	
4	4163 5296 02	DEVELOPING ROLLER		B	1	
5	4021 0163 03	SCREW ASSY		D	1	
6	4021 0752 01	SCREW ASSY		C	1	
7	4021 0165 01	SCREW ASSY		D	1	
8	4163 5230 03	BUSHING		C	1	
9	4021 5225 01	SEAL		C	2	
10	4163 5226 01	HOLDER		D	2	
11	4163 5298 01	ROLL		C	2	
12	4021 5231 01	BUSHING		C	1	
13	4021 5232 01	GEAR		C	1	
14	4163 5231 02	PRESSURE SPRING		C	2	
15	4021 5226 01	COVER		D	1	
16	4163 5102 01	BUSHING		C	3	
17	4163 5293 01	SCREW		C	4	
18	4021 5213 01	GEAR		C	1	
19	4021 5212 02	GEAR		C	1	
20	4021 5211 01	GEAR		C	1	
21	4021 0202 03	BRACKET ASSY		D	1	
22	4021 5227 01	GEAR		C	1	
23	4021 5214 01	GEAR		C	1	
24	4163 5101 01	BUSHING		D	3	
25	4163 5252 04	SEAL		C	1	
26	4030 5204 01	SEAL		C	1	
27	4034 5202 01	LID		D	1	
28	4163 5260 01	SEAL		D	2	
29	4021 5221 01	GUIDE		D	1	
30	4163 5229 02	SEAL		C	1	
31	4163 5245 01	MAGNET		D	1	
32	4021 5235 03	BRACKET		D	1	
33	4163 5217 01	REGULATING PLATE		D	1	
34	4163 5271 01	SCREW		D	3	
35	4021 5203 03	SEAL		C	1	
36	4163 5237 01	SEAL		C	1	
37	4163 5272 01	GUIDE		D	1	
38	4163 5241 03	SEAL		C	1	
39	4163 5244 01	MAGNET		D	1	
40	1139 5250 01	PLATE SPRING		C	1	
41	1139 5249 01	SHOULDER SCREW		D	1	
42	4163 6051 01	PWB ASSY	(ATDC(UN1))	B	1	
43	4163 5221 01	SEAL		C	1	
44	4021 5224 02	CONTACT		D	1	
45	4021 5219 01	GEAR		C	1	
46	1100 3130 08	PLATE NUT		D	1	

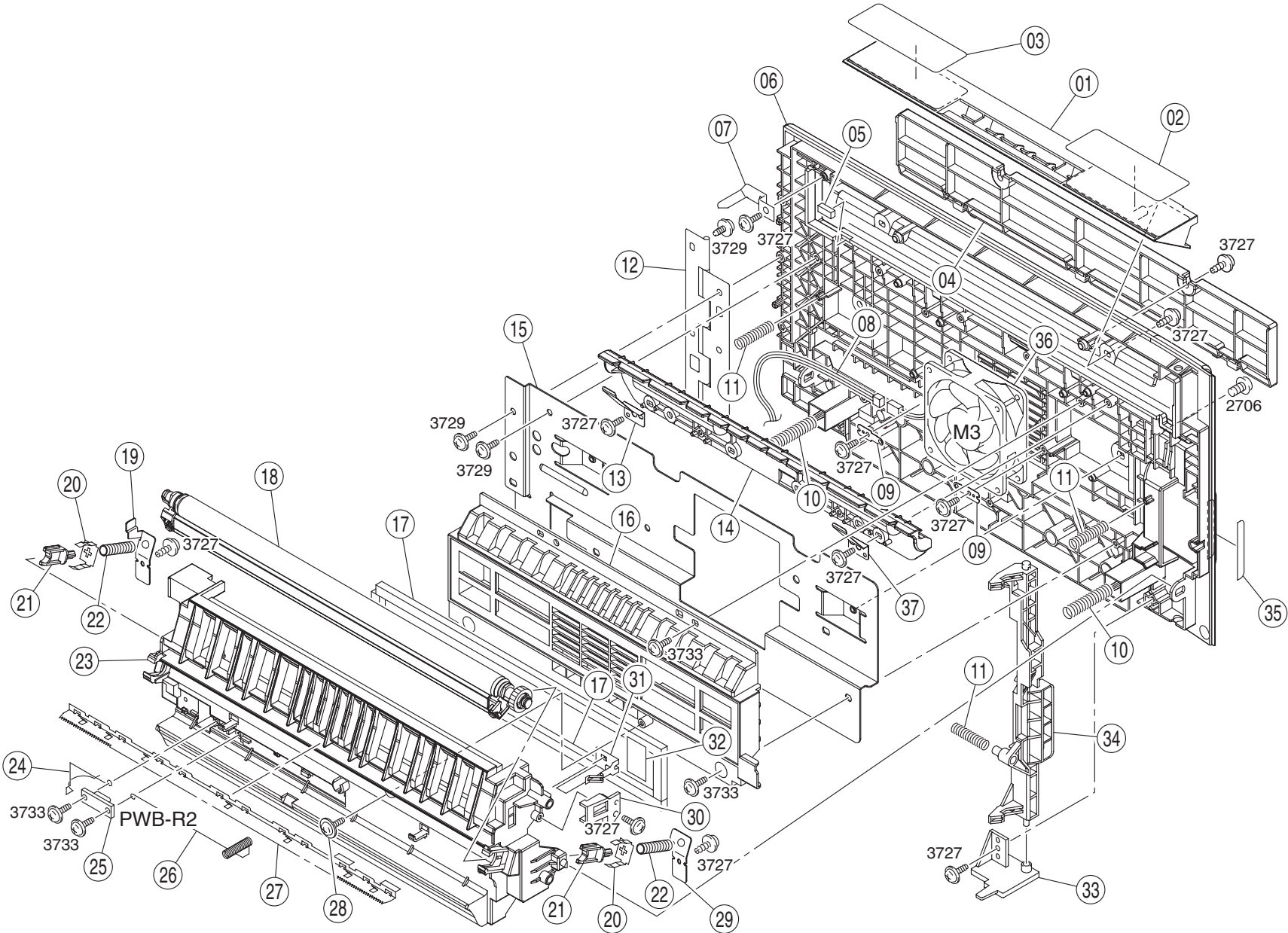
CLEANER SECTION



CLEANER SECTION

Key	Part No.	Description	Destinations	Class	QTY	Standard parts
1	4163 5620 01	SEAL		C	1	
2	4021 5623 01	SEAL		C	3	
3	4163 5607 02	SCREW		C	1	
4	4163 5606 04	SEAL		C	1	
5	4163 5617 01	SEAL		C	1	
6	4163 5604 03	SEAL		D	1	
7	4162 4074 01	GUIDE		D	2	
8	4163 4361 04	HOLDER		D	3	
9	4163 4072 01	TORSION SPRING		C	3	
10	4163 4370 01	SEPARATOR		A	3	
11	4021 5618 01	GEAR		C	1	
12	4163 5611 01	BUSHING		C	2	
13	4163 5609 01	GEAR		C	2	
14	4163 5625 01	BUSHING		C	1	
15	4021 5619 01	GEAR		C	1	
16	4021 4368 02	PLATE SPRING		D	1	
17	0910 5507 12	SEAL		C	2	
18	4163 5614 01	SEAL		C	1	
19	4163 5603 02	SEAL		D	2	
20	1156 4118 02	OZONE FILTER		A	1	
21	4021 5606 01	SCREW		D	1	
22	4034 5622 01	CLEANING BLADE		A	1	
23	4021 5617 01	BRACKET		D	1	
24	4021 5614 02	HOLDER		D	1	
25	4021 5615 01	GEAR		C	1	
26	4163 5639 01	GEAR		C	2	
27	4021 5616 01	GEAR		C	1	
28	4021 0166 01	SHAFT		D	1	
29	4021 5205 01	GEAR		C	1	
30	4021 5206 01	BRACKET		D	1	
31	4021 5220 01	BRACKET		D	1	
32	4021 5611 01	SEAL		C	1	
33	4021 5609 01	DUCT		D	1	
34	4021 5607 02	DUCT		D	1	
35	4021 5608 01	SCREW		D	1	
36	4163 5605 03	SEAL		D	1	

TRANSPORT SECTION

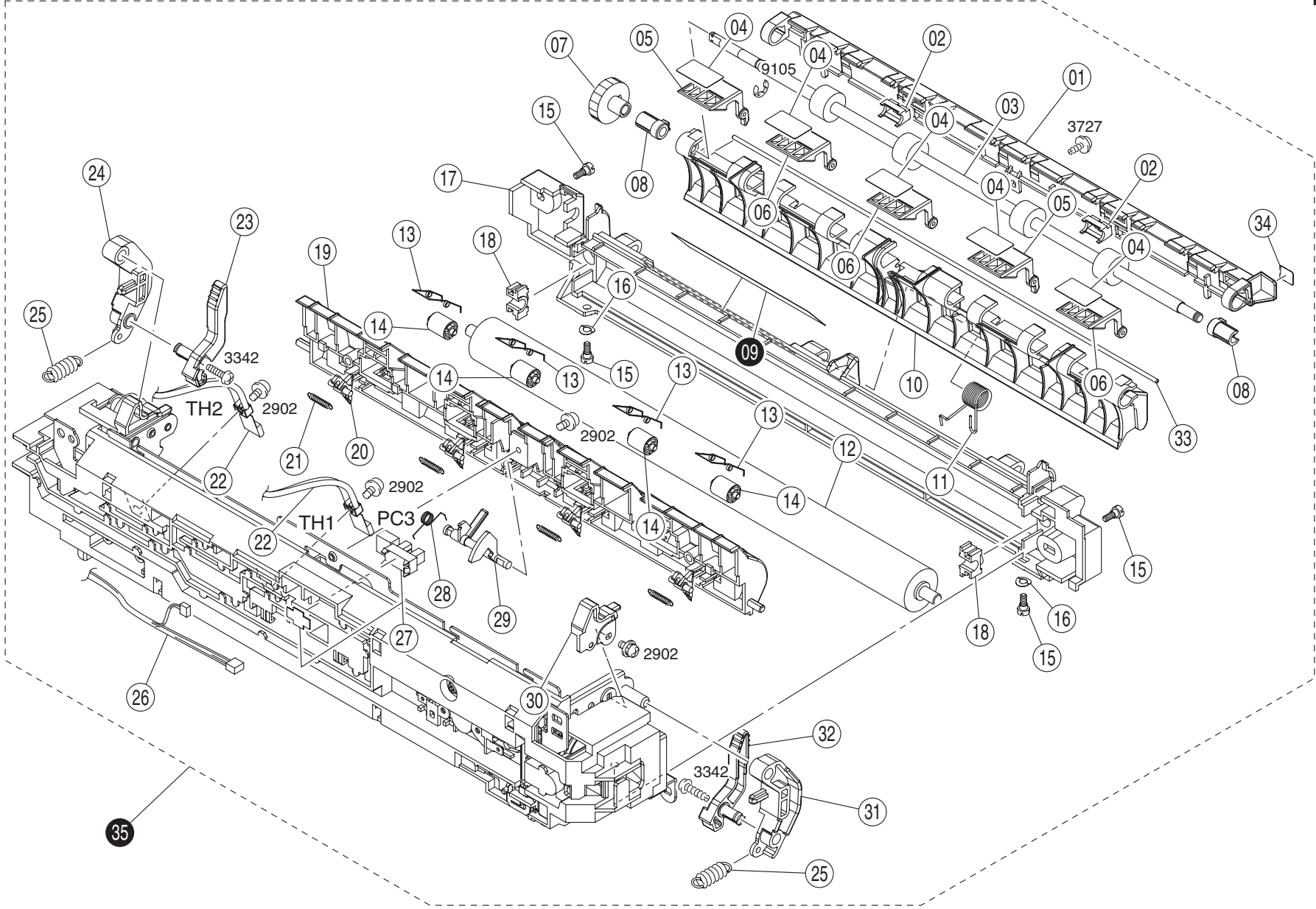


Di2011/Di1811P/Konica 7218/Konica 7220

TRANSPORT SECTION

Key	Part No.	Description	Destinations	Class	QTY	Standard parts
1	4034 3510 01	GUIDE		D	1	
2	4034 7306 01	LABEL		D	1	
3	4034 7305 01	LABEL		D	1	
4	4034 3520 01	COVER		D	1	
5	4034 3550 01	CUSHION		D	1	
6	4034 3502 02	COVER		D	1	
7	4034 3530 02	LEVER		D	1	
8	4034 6840 01	WIRE HARNESS ASSY		D	1	
9	4192 1464 01	PLATE SPRING		D	2	
10	4011 3515 01	PRESSURE SPRING		C	2	
11	4034 3508 01	PRESSURE SPRING		D	3	
12	4021 2019 02	HINGE		C	1	
13	4034 3535 01	PLATE SPRING		D	1	
14	4034 3511 02	GUIDE		D	1	
15	4034 3514 02	REINFORCE PLATE		D	1	
16	4034 3501 01	DUCT		D	1	
17	4034 3515 01	SEAL		D	2	
18	4034 0755 00	TRANSFER ROLLER ASSY		A	1	
19	4021 4219 01	CONTACT		D	1	
20	1164 4222 01	PLATE SPRING		C	2	
21	1164 4206 02	BUSHING		C	2	
22	1164 4207 01	PRESSURE SPRING		C	2	
23	4034 3503 02	HOLDER		D	1	
24	4034 3517 01	CONTACT		D	1	
25	4011 0112 01	PWB ASSY	((PWB-R2))	C	1	
26	4034 3518 01	CONTACT		D	1	
27	1164 4202 04	NEUTRALIZING NEEDLE		D	1	
28	4163 5293 01	SCREW		C	1	
29	4021 4209 02	CONTACT		D	1	
30	4034 3512 02	HOLDER		D	1	
31	4034 3513 02	CONTACT		D	1	
32	4011 5858 01	SEAL		C	1	
33	4021 2307 01	LEVER		D	1	
34	4034 2301 01	LEVER		D	1	
35	4034 7310 01	LABEL		D	1	
36	9313 1300 31	FAN MOTOR	(FUSING(M3))	B	1	
37	4034 3519 02	PLATE SPRING		D	1	

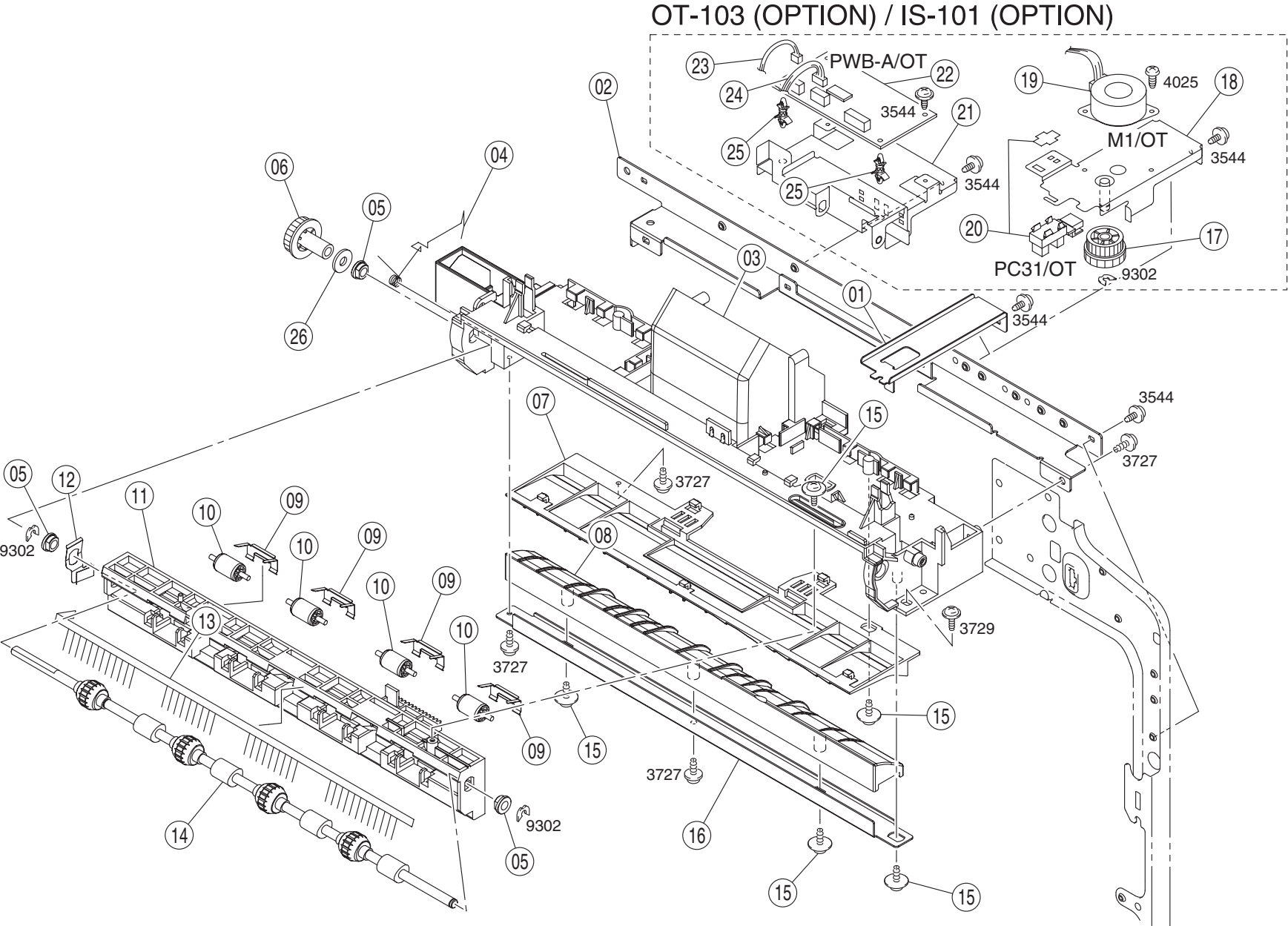
FUSING SECTION



FUSING SECTION

Key	Part No.	Description	Destinations	Class	QTY	Standard parts
1	4034 5782 01	COVER		D	1	
2	4034 5763 01	COLLAR		D	2	
3	4034 5751 01	ROLLER		D	1	
4	4011 5858 01	SEAL		C	5	
5	4034 5785 01	GUIDE		D	2	
6	4034 5784 01	GUIDE		D	3	
7	4034 5756 01	GEAR		D	1	
8	4034 5753 01	BUSHING		D	2	
9	4034 7402 01	LABEL	B,F,G,H(311,312,313,314,316,361,363,364)	D	1	
9	4034 7403 01	LABEL	B,D1,D3,F,G,H,I,J,K(212,213,214,216,219,262,263,264,269)	D	1	
9	4034 7404 01	LABEL	C,I(211,221,231,261)	D	1	
10	4034 5714 02	GUIDE		D	1	
11	4034 5715 01	TORSION SPRING		D	1	
12	4034 5702 01	FUSING ROLLER		D	1	
13	4034 5755 01	TORSION SPRING		D	4	
14	4034 5752 01	ROLL		D	4	
15	4021 5742 01	SHOULDER SCREW		D	4	
16	1164 5765 01	SPACER		D	2	
17	4034 5708 03	COVER		D	1	
18	4034 5711 01	BUSHING		D	2	
19	4034 5716 01	GUIDE		D	1	
20	4021 5720 02	SEPARATOR		A	4	
21	4034 5787 01	TENSION SPRING		D	4	
22	9372 2300 41	THERMISTOR	(FUSING(TH1.TH2))	B	2	
23	4021 5726 03	LEVER		C	1	
24	4021 5733 01	LEVER		D	1	
25	4021 5727 01	TENSION SPRING		C	2	
26	4034 6827 01	WIRE HARNESS ASSY		D	1	
27	4131 0902 01	PHOTO INTERRUPTER	(EXIT(PC3))	B	1	
28	4034 5723 01	TORSION SPRING		D	1	
29	4034 5722 01	ACTUATOR		D	1	
30	4034 5761 01	POSITIONING PLATE		D	1	
31	4021 5724 01	LEVER		C	1	
32	4021 5725 03	LEVER		C	1	
33	4034 5786 01	SHAFT		D	1	
34	4034 5741 01	LABEL		D	1	
35	4034 0751 00	FUSING UNIT	B,F,G,H(311,312,313,314,316,361,363,364)	A	1	
35	4034 0752 00	FUSING UNIT	B,D1,D3,F,G,H,I,J,K(212,213,214,216,219,262,263,264,269)	A	1	
35	4034 0754 00	FUSING UNIT	C,I(211,221,231,261)	A	1	

PAPER EXIT SECTION

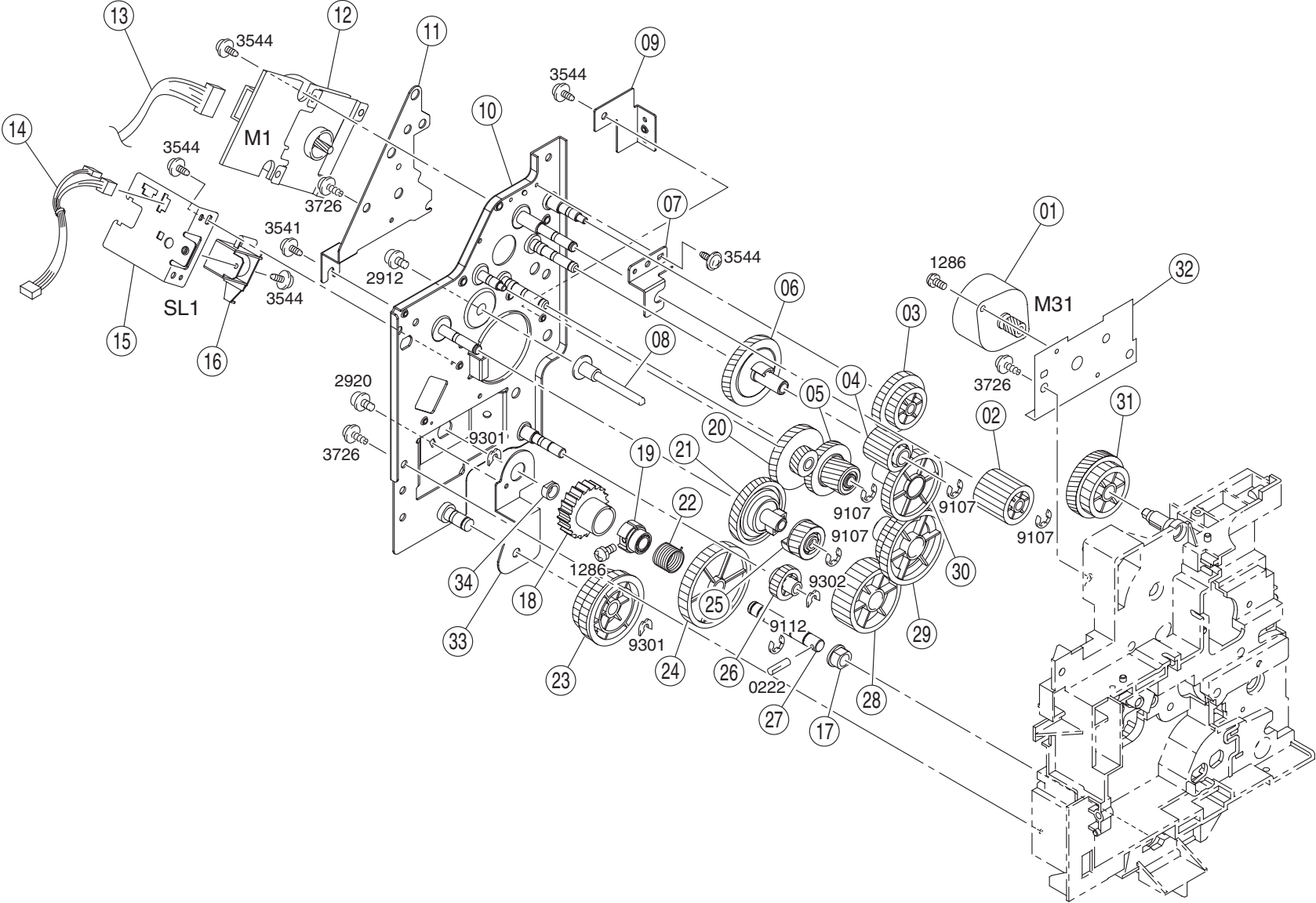


Di2011/Di1811P/Konica 7218/Konica 7220

PAPER EXIT SECTION

Key	Part No.	Description	Destinations	Class	QTY	Standard parts
1	4021 5824 01	STOPPER		D	1	
2	4034 2012 01	REINFORCE PLATE		D	1	
3	4034 5807 02	FRAME		D	1	
4	4021 5815 01	SPRING		C	1	
5	1159 1938 01	BUSHING		C	3	
6	4034 5806 02	GEAR		D	1	
7	4034 5802 01	GUIDE		D	1	
8	4034 5803 01	GUIDE		D	1	
9	4034 5808 01	PLATE SPRING		D	4	
10	4021 5802 01	ROLL		C	4	
11	4034 5805 02	FRAME		D	1	
12	4021 5819 01	SET PLATE		C	1	
13	4021 5814 01	NEUTRALIZING BRUSH		C	1	
14	4034 5801 01	ROLLER		D	1	
15	4163 5293 01	SCREW		C	5	
16	4034 5804 01	BRACKET		D	1	
17	4690 2401 01	GEAR		C	1	
18	4690 0201 03	BRACKET ASSY		D	1	
19	9314 1100 31	MOTOR	(SHIFT(M1/OT))	C	1	
20	4002 0902 01	PHOTO INTERRUPTER	(HOME(PC31/OT))	C	1	
21	4689 2302 01	BRACKET		D	1	
22	4690 0101 01	PWB ASSY	(CONTR.(PWB-A/OT))	I	1	
23	4690 6801 01	WIRE HARNESS ASSY		D	1	
24	4690 6802 02	WIRE HARNESS ASSY		D	1	
25	9384 1900 56	PWB SUPPORT 6.35H		D	2	
26	4034 5809 01	WASHER		D	1	

DRIVE SECTION

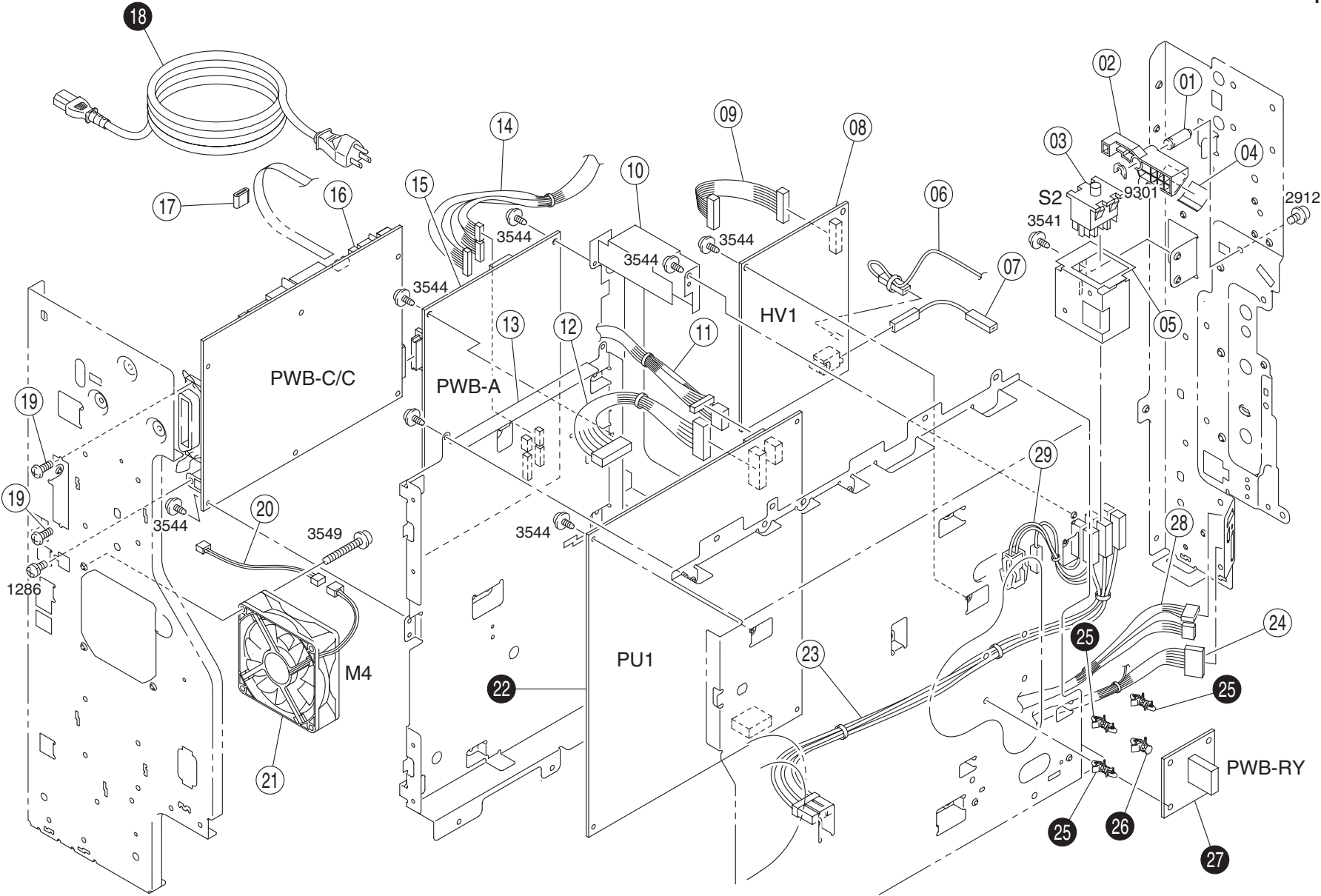


Di2011/Di1811P/Konica 7218/Konica 7220

DRIVE SECTION

Key	Part No.	Description	Destinations	Class	QTY	Standard parts
1	9314 1300 11	MOTOR	(DUPLEX(M31))	B	1	
2	4021 2512 01	GEAR		C	1	
3	4021 2511 01	GEAR		C	1	
4	4021 2510 01	GEAR		C	1	
5	4021 2502 01	GEAR		C	1	
6	4021 2505 01	GEAR		C	1	
7	4021 2538 01	BRACKET		D	1	
8	4021 2519 01	SHAFT		D	1	
9	4034 2538 01	BRACKET		D	1	
10	4034 0201 02	DRIVING ASSY		D	1	
11	4034 2536 01	FRAME	(MAIN(M1))	D	1	
12	9314 2300 12	MOTOR		B	1	
13	4034 6810 02	WIRE HARNESS ASSY		D	1	
14	4034 6821 01	WIRE HARNESS ASSY		D	1	
15	4034 2540 01	BRACKET		D	1	
16	9321 2300 21	SOLENOID	(TAKE-UP(SL1))	I	1	
17	4021 2547 02	BUSHING		C	1	
18	4021 2540 01	RATCHET		C	1	
19	4021 2542 01	BUSHING		C	1	
20	4021 2501 01	GEAR		C	1	
21	4021 2503 01	GEAR		C	1	
22	4021 2541 01	TORSION SPRING		B	1	
23	4021 2517 01	GEAR		C	1	
24	4021 2509 01	GEAR		C	1	
25	4021 2504 01	GEAR		C	1	
26	4034 2517 01	GEAR		D	1	
27	4021 2533 03	SHAFT		D	1	
28	4034 2508 01	GEAR		D	1	
29	4034 2507 01	GEAR		D	1	
30	4034 2506 01	GEAR		D	1	
31	4034 2515 03	GEAR		D	1	
32	4034 2537 01	BRACKET		D	1	
33	4021 0204 01	BRACKET ASSY		D	1	
34	4658 3516 01	BUSHING		C	1	

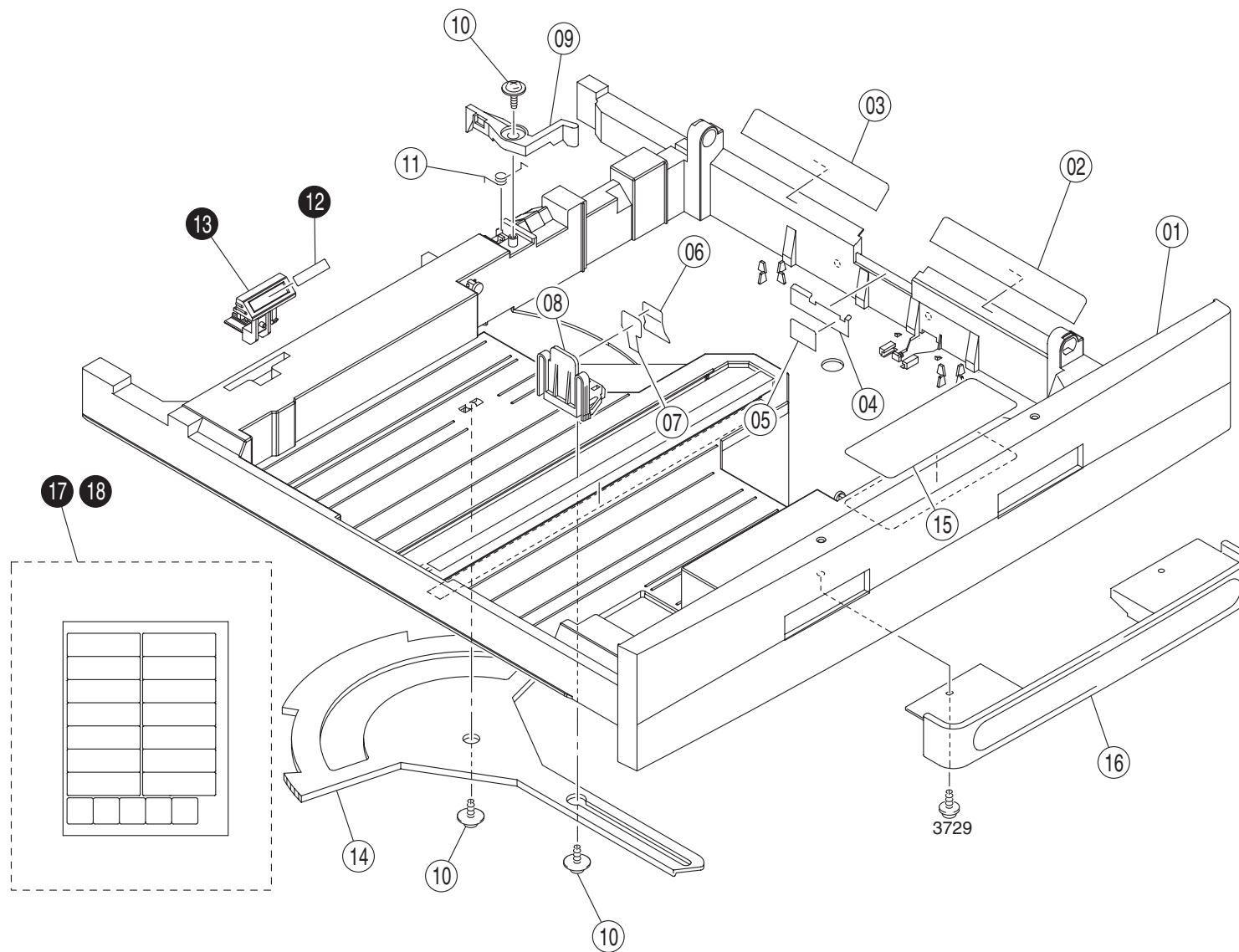
ELECTRICAL COMPONENTS



ELECTRICAL COMPONENTS

Key	Part No.	Description	Destinations	Class	QTY	Standard parts
1	4021 2020 01	SHAFT		D	1	
2	4034 2032 01	LEVER		D	1	
3	9331 1810 11	MICRO SWITCH	((S2))	C	1	
4	4034 2033 01	INSTRUCTIONS		D	1	
5	4034 2016 02	BRACKET		D	1	
6	4034 6836 01	WIRE HARNESS ASSY		D	1	
7	4034 6834 01	WIRE HARNESS ASSY		D	1	
8	4034 6205 03	HV TRANSFORMER	((HV1))	I	1	
9	4034 6813 01	WIRE HARNESS ASSY		D	1	
10	4034 2202 01	BRACKET		D	1	
11	4034 6812 01	WIRE HARNESS ASSY		D	1	
12	4034 6811 01	WIRE HARNESS ASSY		D	1	
13	4034 2201 01	BRACKET		D	1	
14	4034 6825 02	WIRE HARNESS ASSY		D	1	
15	4034 0101 06	PWB ASSY	((PWB-A))	I	1	
16	4034 7801 01	PWB ASSY	((PWB-C/C))	I	1	
17	9326 1000 51	FERRITE CORE		D	1	
18	9381 4101 11	POWER CORD	(264)	D	1	
18	9381 4101 31	POWER CORD	B,G(311,312,361,364)	D	1	
18	9381 4200 11	POWER CORD	(261)	D	1	
18	9381 4200 21	POWER CORD	(214,262,263)	D	1	
18	9381 4300 31	POWER CORD	H,J(219,269)	D	1	
18	9381 4300 41	POWER CORD	B,D1,D3,F,G,I,K(212,216)	D	1	
18	9381 4300 91	POWER CORD	H(313,363)	D	1	
18	9381 4300 41	POWER CORD	B,G(213)	D	1	
19	4034 2203 01	SCREW		D	2	
20	4034 6881 02	WIRE HARNESS ASSY		D	1	
21	9313 1300 12	FAN MOTOR	((COOLING(M4))	C	1	
22	4034 6201 02	POWER SUPPLY	B,F,G,H(311,312,313,314,316,361,363,364)	I	1	
22	4034 6202 02	POWER SUPPLY	B,C,D1,D3,F,G,H,I,J,K(211,212,213,214,216,219,221,231,261,262,263,264,269)	I	1	
23	4034 6805 01	WIRE HARNESS ASSY		D	1	
24	4034 6847 01	WIRE HARNESS ASSY		D	1	
25	9384 1900 56	PWB SUPPORT 6.35H	B,C,D1,D3,F,G,H,I,J,K(211,212,213,214,216,219,221,231,261,262,263,264,269)	D	3	
26	9384 1621 21	PWB SUPPORT 6.4H	B,C,D1,D3,F,G,H,I,J,K(211,212,213,214,216,219,221,231,261,262,263,264,269)	D	1	
27	4028 0105 02	PWB ASSY	B,C,D1,D3,F,G,H,I,J,K(211,212,213,214,216,219,221,231,261,262,263,264,269)	I	1	
28	4034 6817 01	WIRE HARNESS ASSY		D	1	
29	4034 6806 01	WIRE HARNESS ASSY		D	1	

CASSETTE SECTION (A)

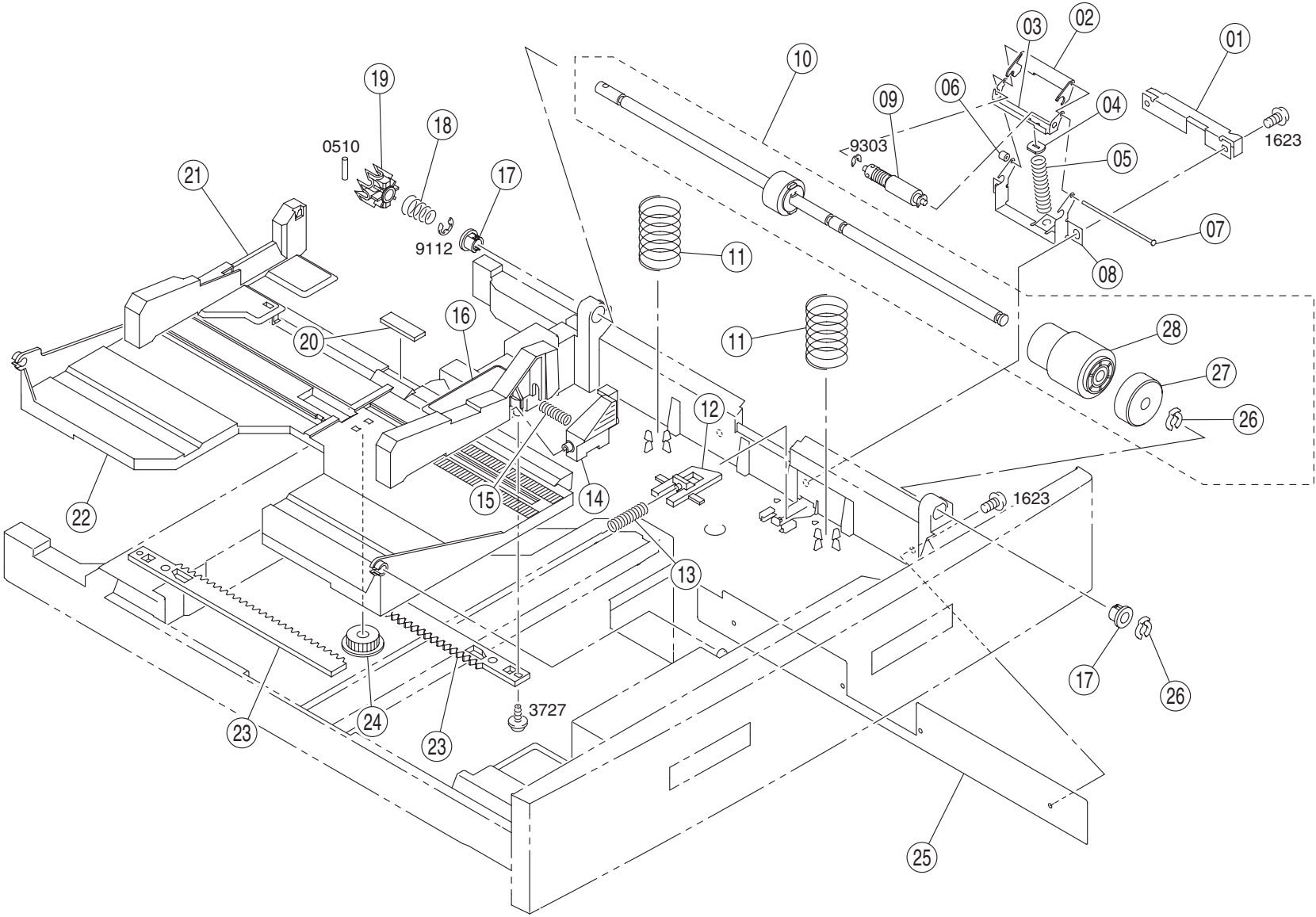


CASSETTE SECTION (A)

Key	Part No.	Description	Destinations	Class	QTY	Standard parts
1	4021 3001 26	CASSETTE		D	1	
2	4021 3020 01	GUIDE		C	1	
3	4021 3019 01	GUIDE		C	1	
4	4021 3031 13	GUIDE PLATE		D	1	
5	4021 3032 12	GUIDE		C	1	
6	4021 3035 02	GUIDE		C	1	
7	4021 3036 01	GUIDE		C	1	
8	1164 3048 02	REGULATING PLATE		D	1	
9	4011 3002 01	LEVER		C	1	
10	4163 5293 01	SCREW		C	3	
11	4011 3005 01	TORSION SPRING		C	1	
12	1151 7383 01	LABEL	B,G(213,312,316)	D	1	
12	1151 7383 01	LABEL	(262,263)	D	1	
13	4034 3002 01	LEVER	B,G(213,312,316)	D	1	
13	4034 3002 01	LEVER	(262,263)	D	1	
14	4686 3350 01	LEVER		C	1	
15	4021 7303 01	LABEL		D	1	
16	4034 3005 01	HANDLE		D	1	
17	4011 7313 01	LABEL	B,C,D1,D3,F,G,H,I,K(211,212,213,216,221,231,261,262,263,312,313,314,316,363,364)	D	1	
17	4021 7319 01	LABEL	H,J(219,269)	D	1	
18	4011 7314 01	LABEL	B,D1,D3,F,G,I,K(212,213,214,216,262,263,264,311,312,316,361)	D	1	

manuals4you.com

CASSETTE SECTION (B)



CASSETTE SECTION (B)

Key	Part No.	Description	Destinations	Class	QTY	Standard parts
1	4021 3037 02	REGULATING PLATE		D	1	
2	4658 3035 02	GUIDE		D	1	
3	4021 3013 02	HOLDER		D	1	
4	1144 3097 03	HOLDER		D	1	
5	4004 3006 03	PRESSURE SPRING		C	1	
6	4658 3047 01	COLLAR		C	1	
7	4658 3040 01	SHAFT		D	1	
8	4021 3014 02	BRACKET		D	1	
9	4034 0151 01	SEPARATION ROLLER		A	1	
10	4034 0757 00	TAKE-UP ROLLER ASSY		A	1	
11	1164 3047 02	PRESSURE SPRING		C	2	
12	1164 3061 01	LEVER		C	1	
13	1164 3062 01	PRESSURE SPRING		C	1	
14	4011 3010 02	LEVER		C	1	
15	4011 3011 01	PRESSURE SPRING		C	1	
16	4011 3008 01	REGULATING PLATE		D	1	
17	1164 3003 01	BUSHING		C	2	
18	1164 3005 02	PRESSURE SPRING		C	1	
19	1164 3004 03	PAWL		C	1	
20	1164 3064 01	FRICTION SHEET		C	1	
21	4011 3009 01	REGULATING PLATE		D	1	
22	4011 3007 03	LIFTING PLATE		D	1	
23	1164 3049 02	RACK		C	2	
24	1164 3045 01	GEAR 20T		C	1	
25	4021 3040 01	REINFORCE PLATE		D	1	
26	4658 3046 01	STOP RING		D	2	
27	4004 3005 01	COLLAR		C	1	
28	4034 3012 01	ROLLER		A	1	

DESTINATION

Destination No.		Destinations		V	Hz	Model No.
A	A1	JAPAN		100/200	50	
	A2	JAPAN		100/200	60	
B		USA, CANADA		120/230	60	
C		EUROPEAN TYPE		220-240	50	
D	D1	S.E ASIA TYPE	THAILAND, SRI LANKA, SINGAPORE, MALAYSIA, HONG KONG, PAKISTAN, INDIA, BANGLADESH, INDONESIA	220-240	50/60	
	D3	OCEANIA TYPE	AUSTRALIA, NEW ZEALAND	240	50	
E		PHILIPPINES		220	60	
F	F1	SAUDI ARABIA		127	60	
	F2	SAUDI ARABIA		220-240	50	
G	G1	C.S AMERICA		220-240	50	
	G2	C.S AMERICA		115	60	
H		TAIWAN		110/220	60	
I		JORDAN, LEBANON, SYRIA, SOUTH AFRICA, IRAQ, IRAN, N.YEMEN, CAMEROON, UAE, BAHRAIN, OMAN, QATAR, KUWAIT, KENYA, TUNISIA, IVORY COAST, MOROCCO		220-240	50/60	
J		CHINA		220	50	
K		KOREA		220	60	