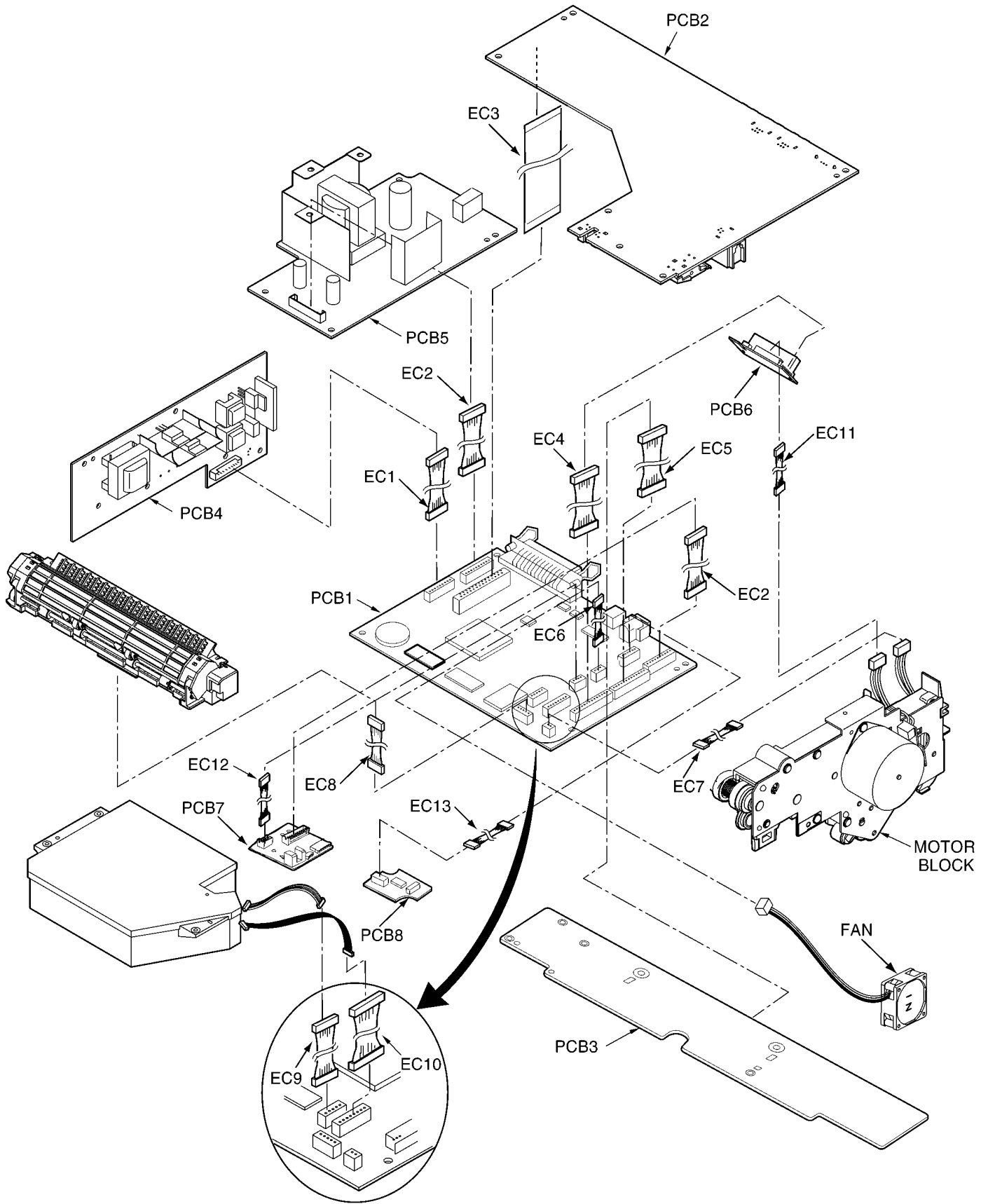
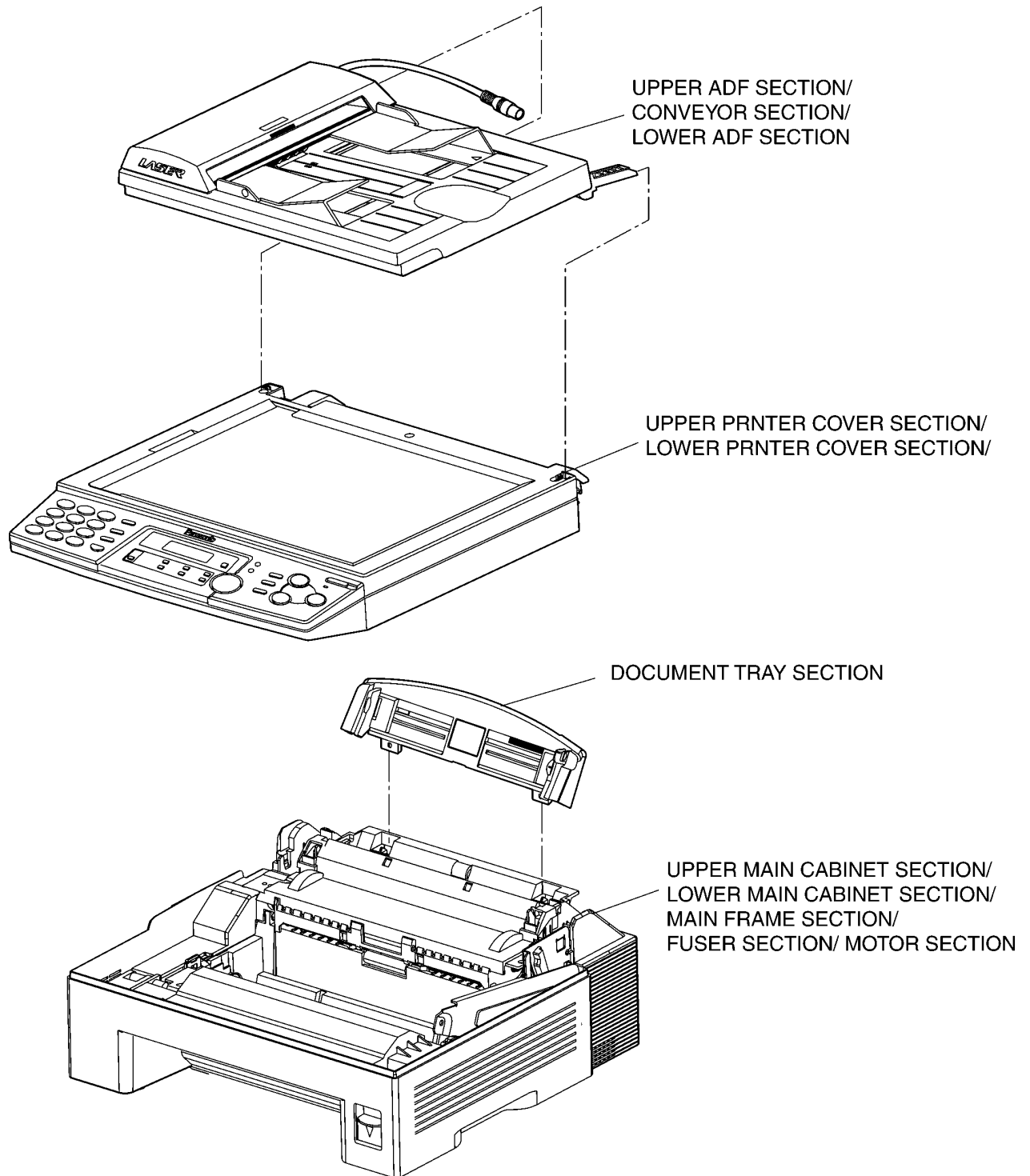


9 FIXTURES AND TOOLS

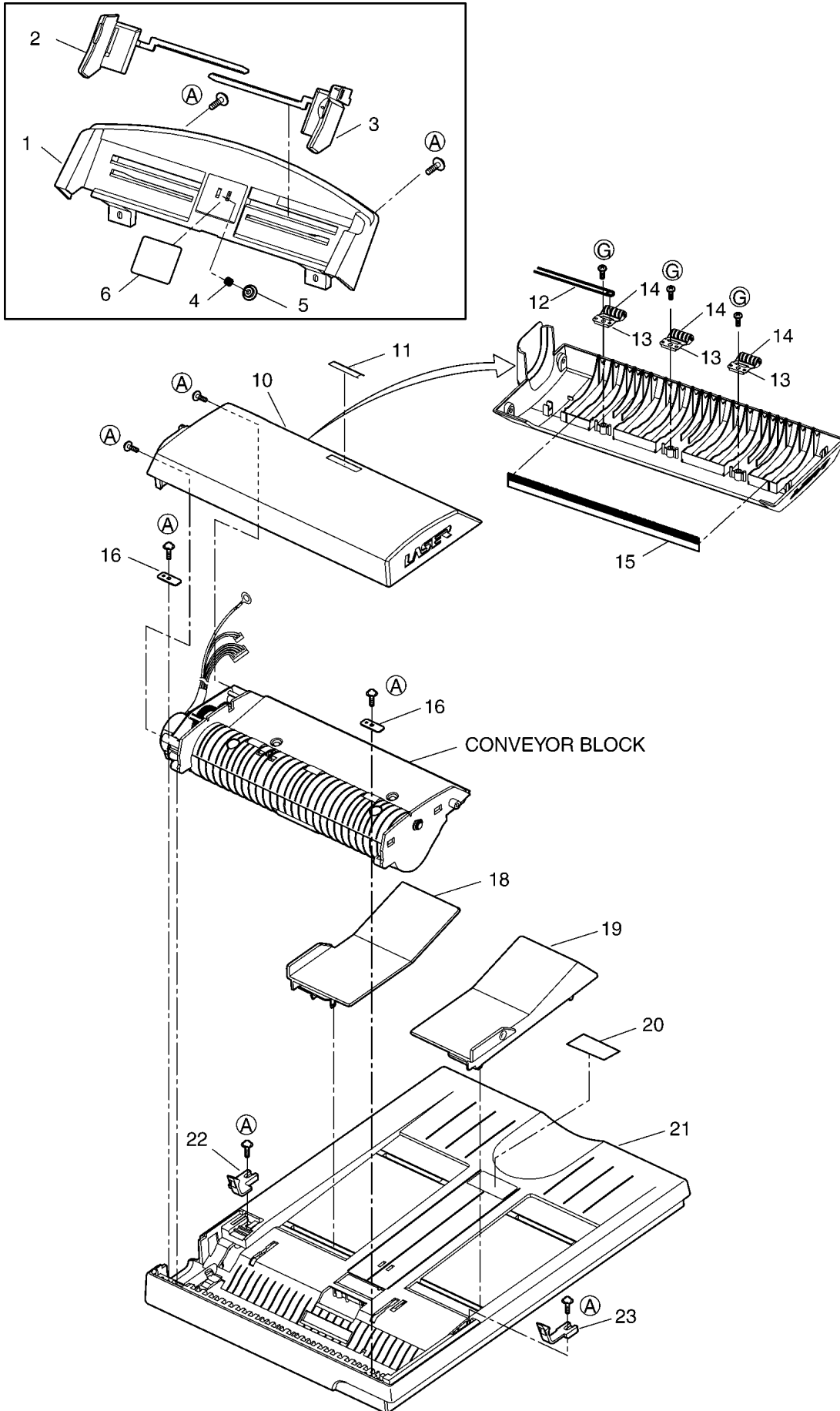


10 CABINET, MECHANICAL AND ELECTRICAL PARTS LOCATION

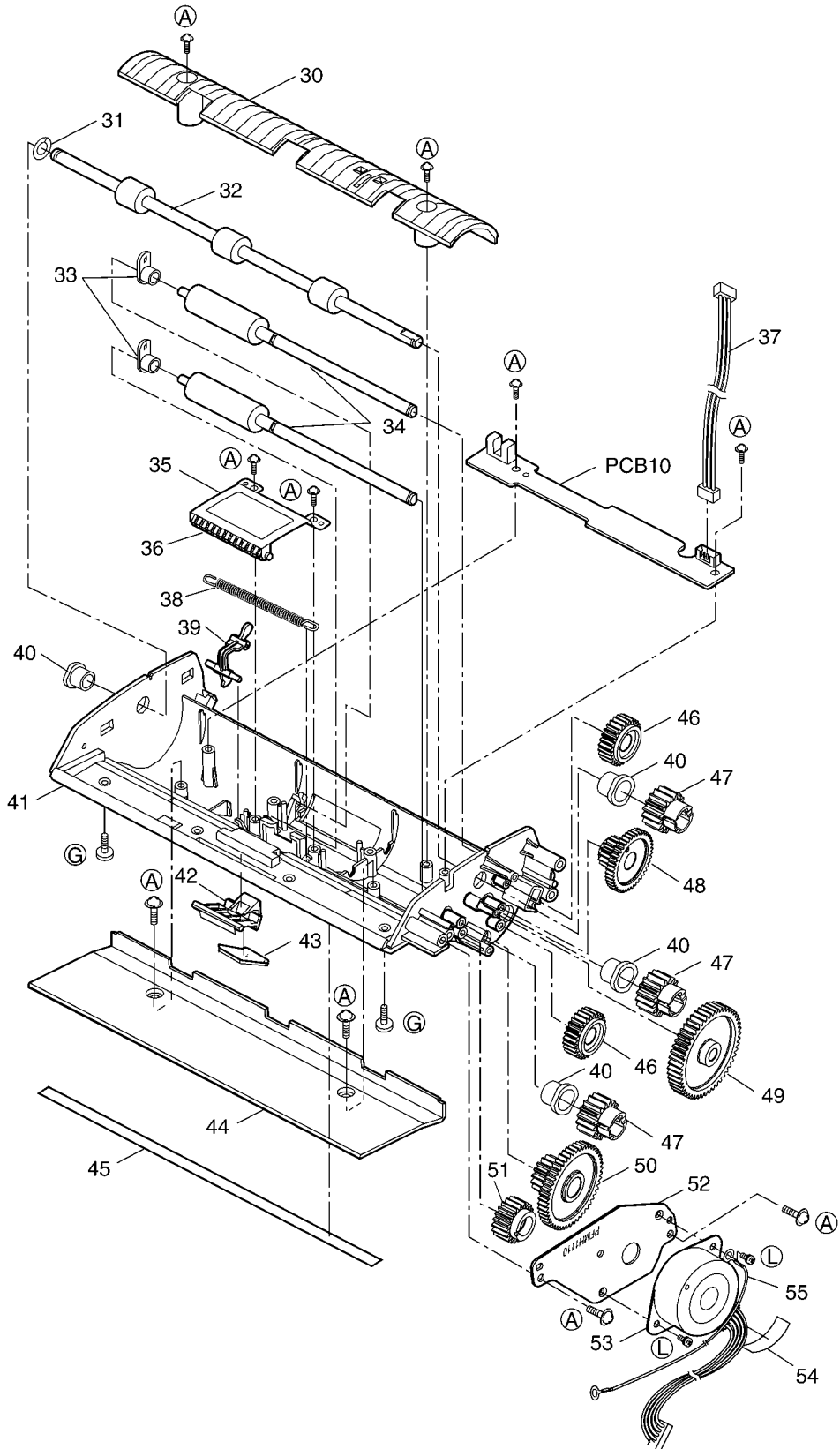
10.1. GENERAL SECTION



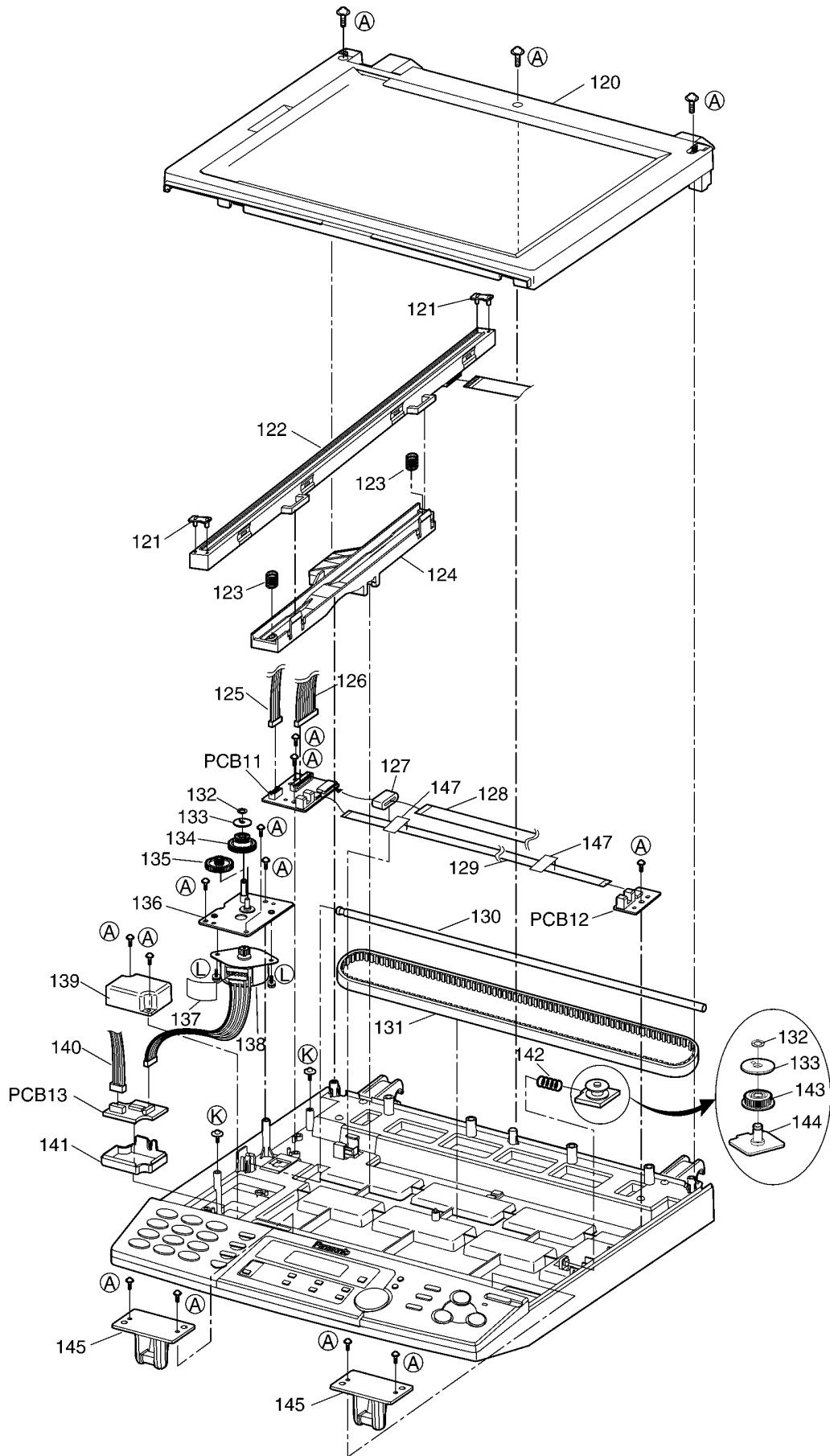
10.2. DOCUMENT TRAY BLOCK AND UPPER ADF SECTION



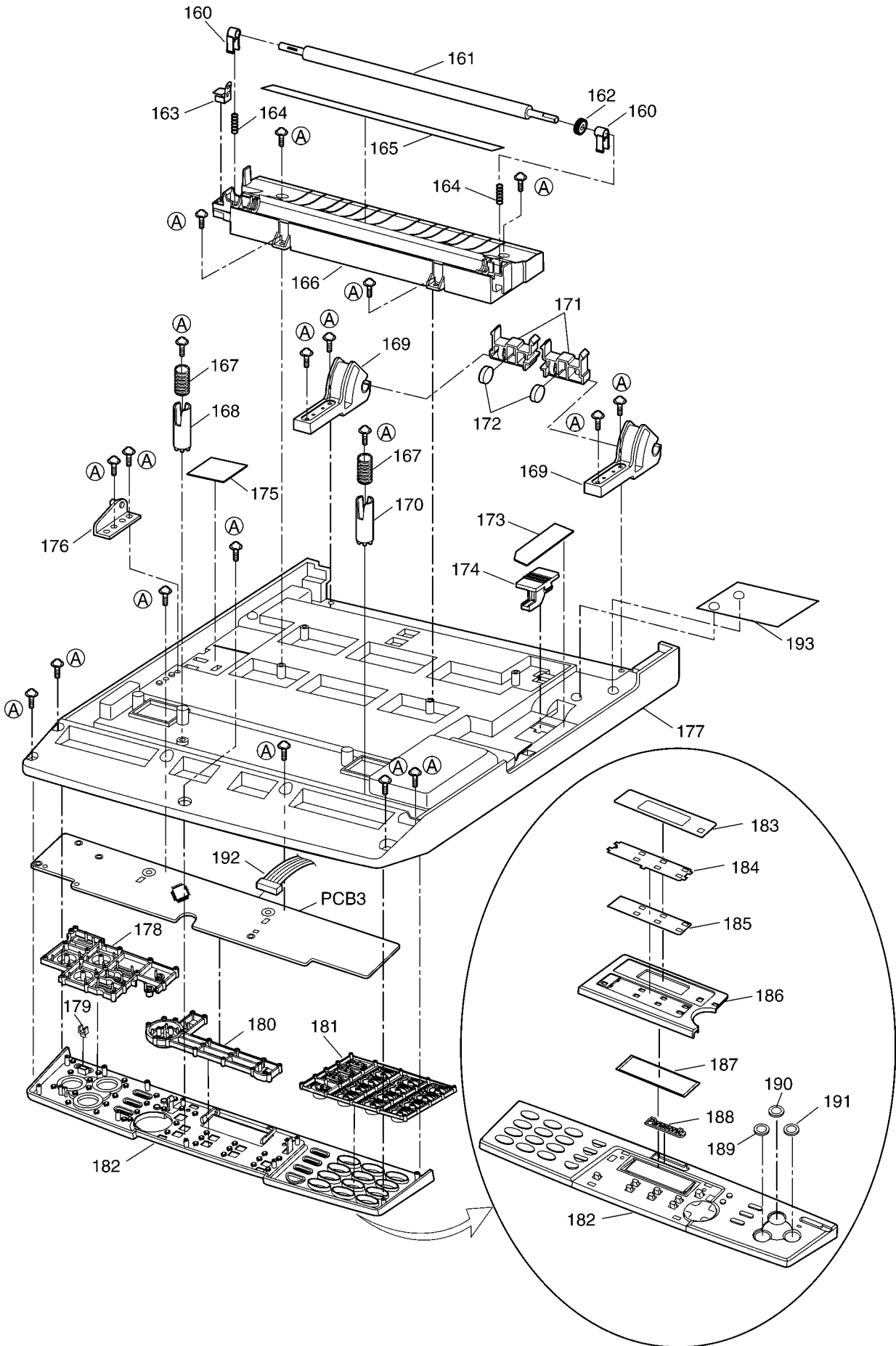
10.3. CONVERYOR BLOCK SECTION



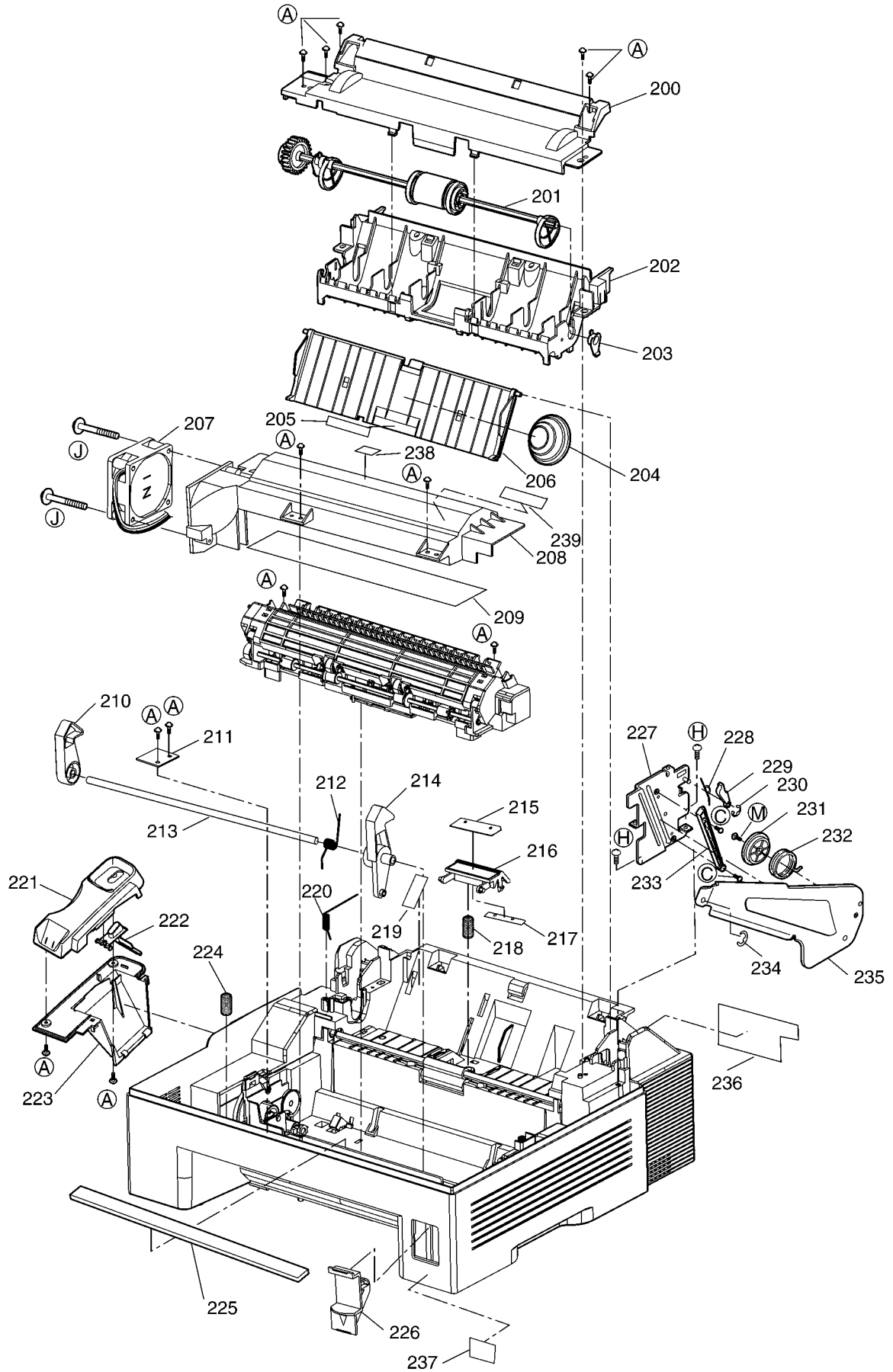
10.5. UPPER PRINTER COVER SECTION



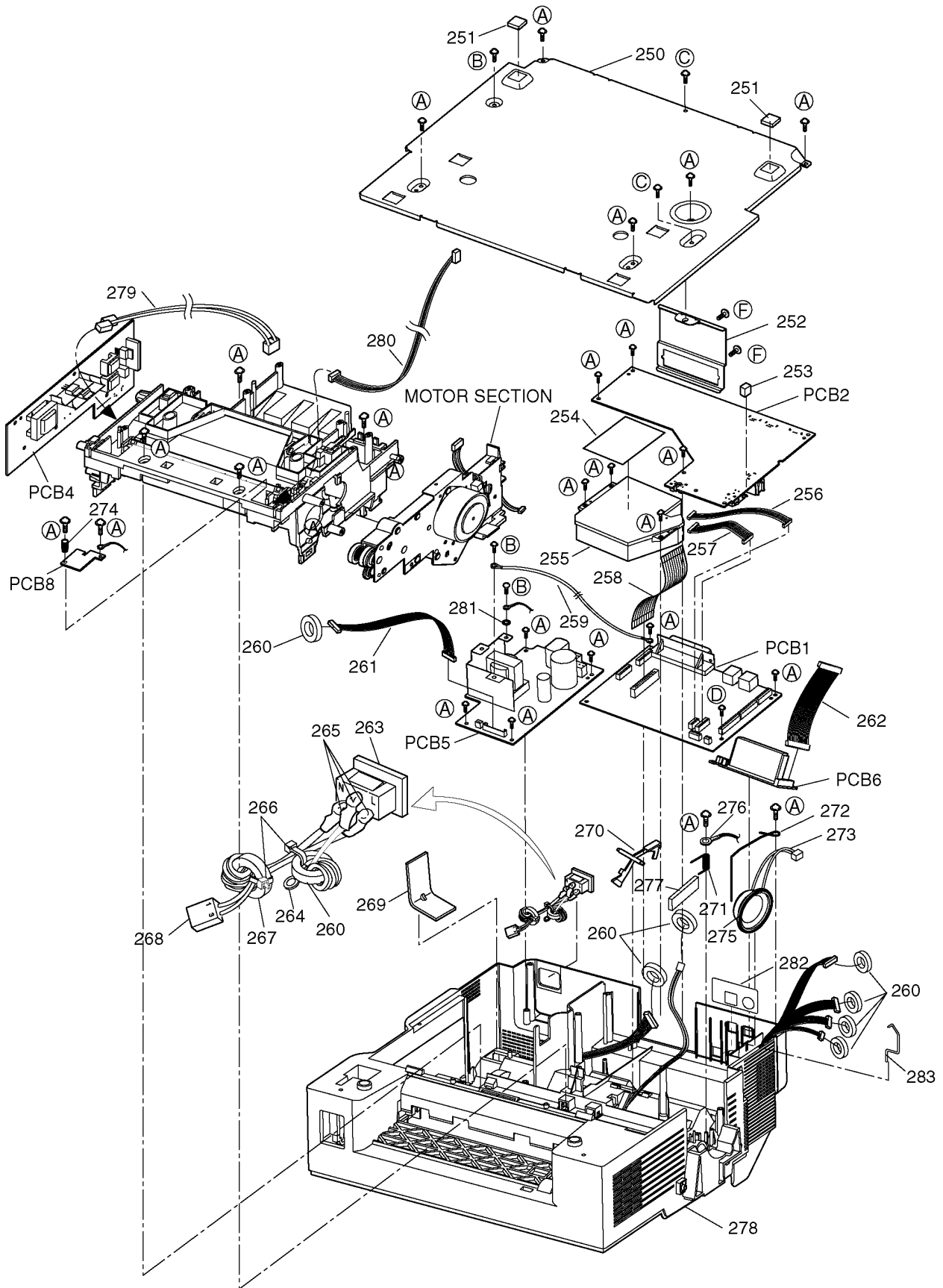
10.6. LOWER PRINTER SECTION



10.7. UPPER MAIN CABINET SECTION

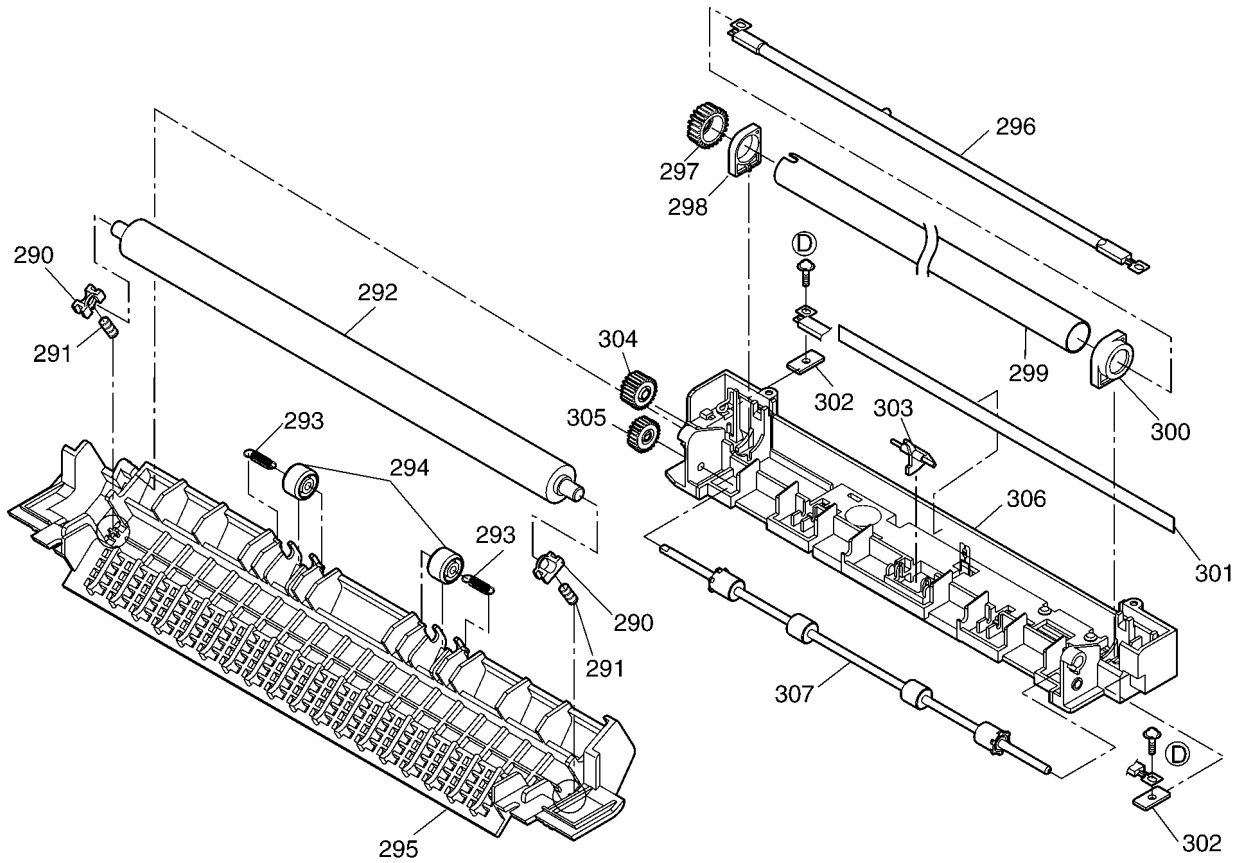


10.8. LOWER MAIN CABINET SECTION

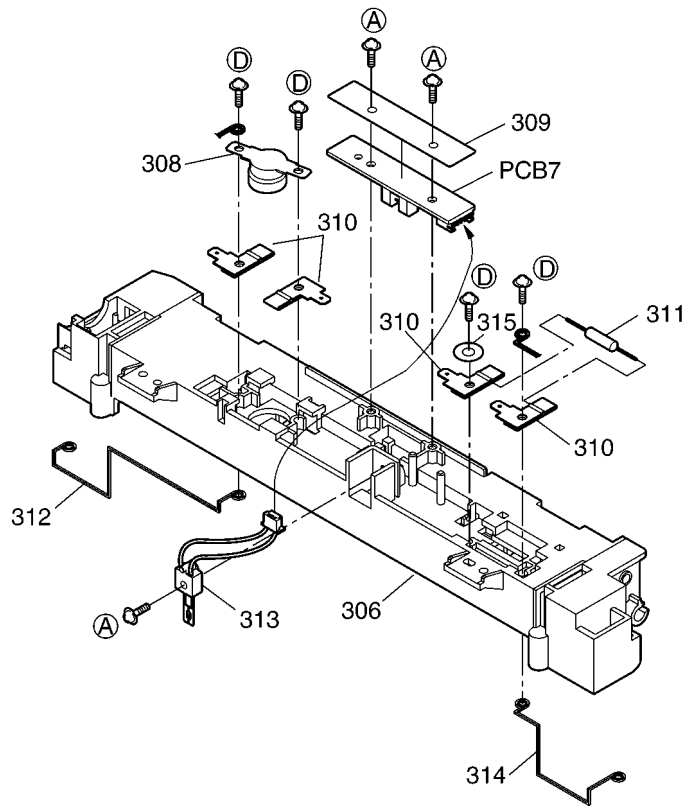


10.9. FUSER SECTION

(Top view)

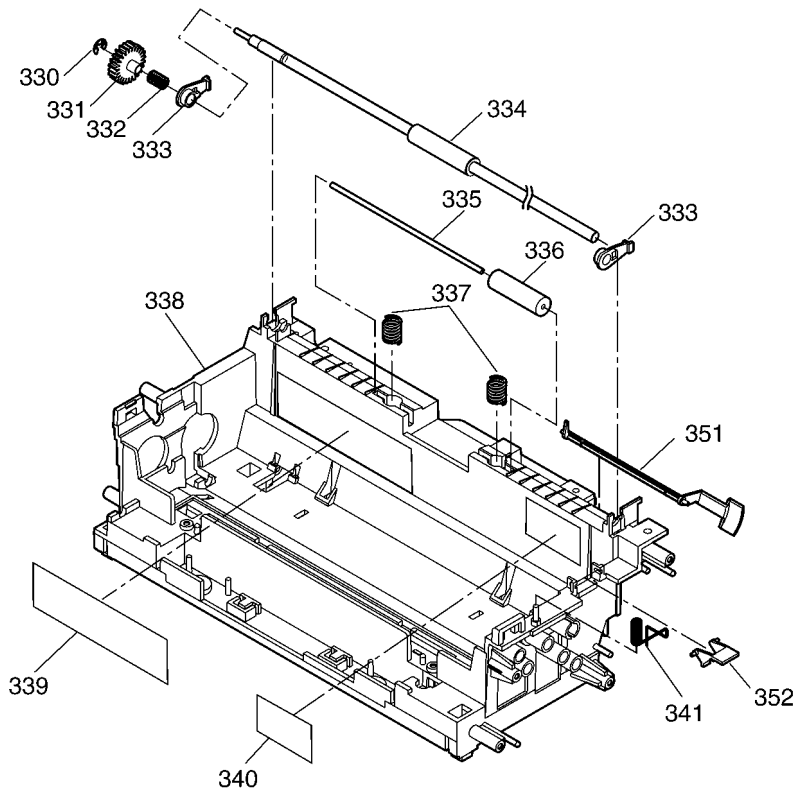


(Bottom view)

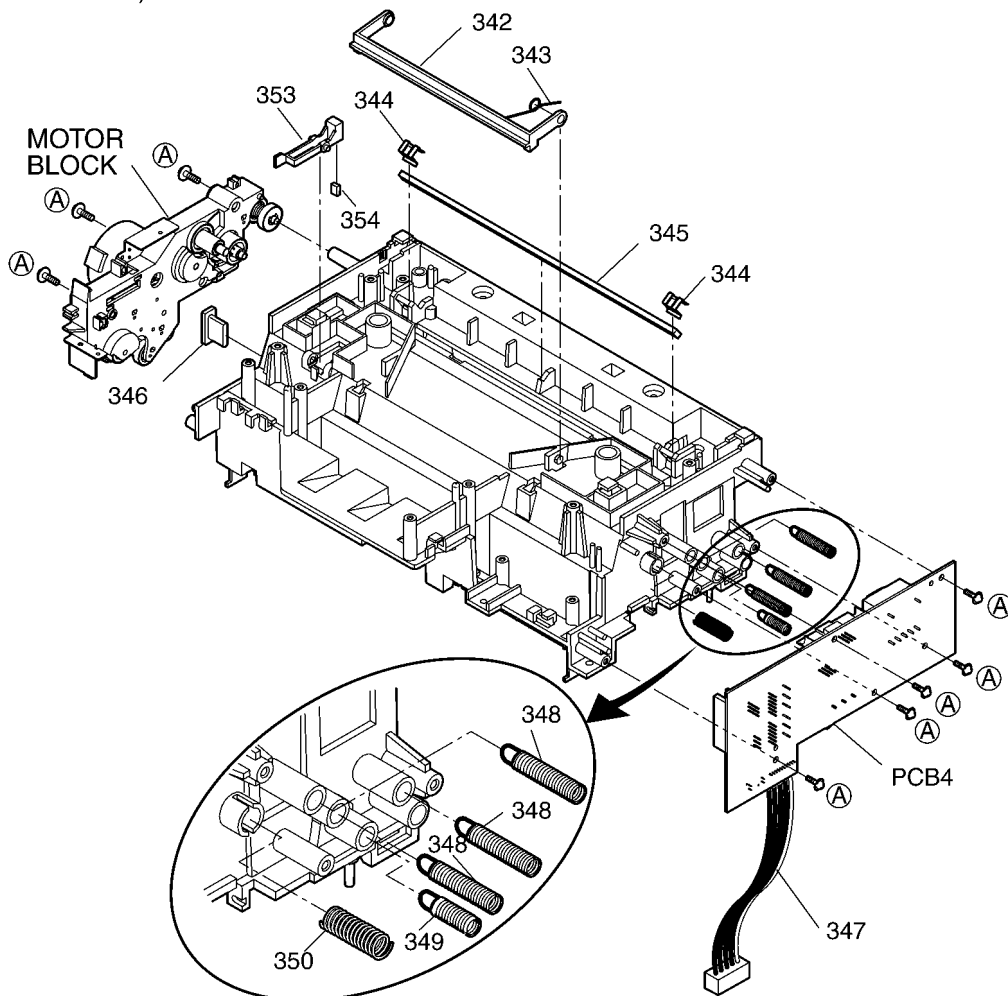


10.10. MAIN FRAME SECTION

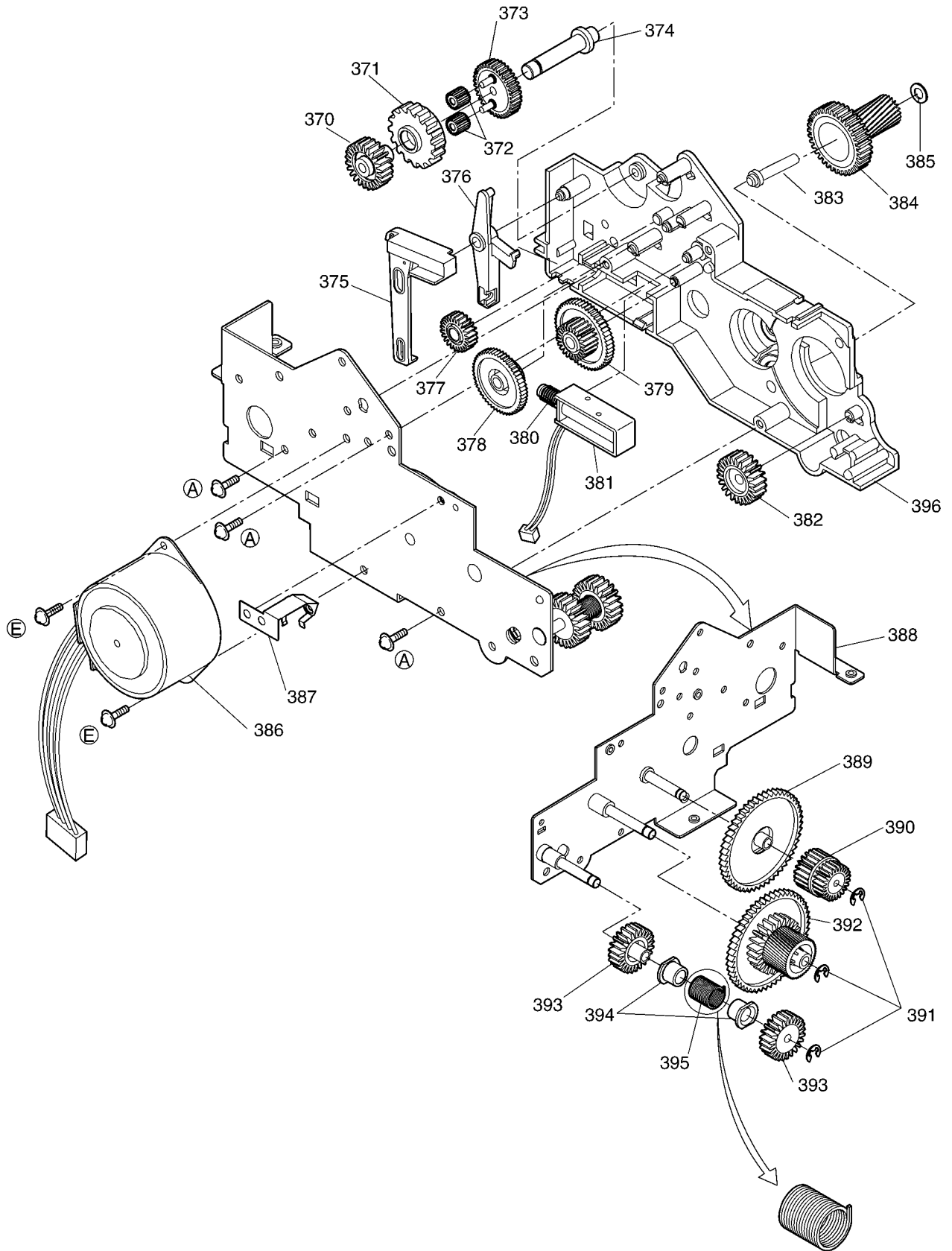
(Top view)



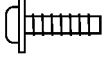




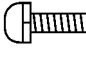
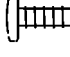
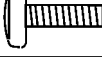
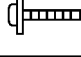
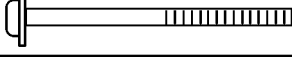
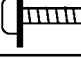


(Bottom view)



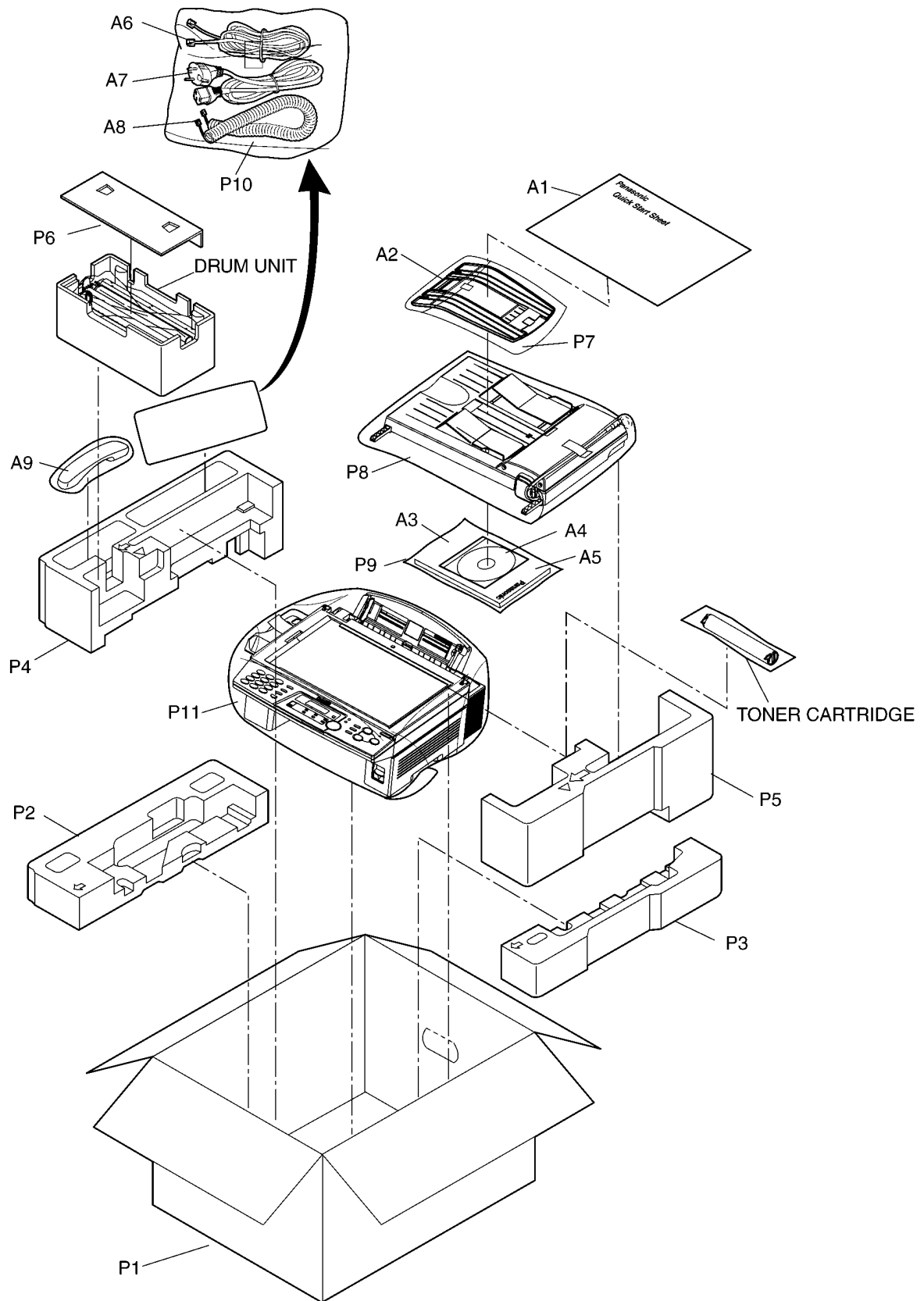
10.11. MOTOR SECTION



10.12. ACTUAL SIZE OF SCREWS AND WASHER

	Parts No.	Illustration
Ⓐ	XTW3+S10P	
Ⓑ	XSB4+6	
Ⓒ	XTW3+6L	
Ⓓ	XYC3+FF8C	
Ⓔ	XTW3+5LFZ	
Ⓕ	XSN3+6L	
Ⓖ	XTB3+8G	
Ⓗ	XTB4+10G	
Ⓘ	XTW2+R8PFN	
Ⓙ	XTW3+S35P	
Ⓚ	XTW3+W8P	
Ⓛ	XYN3+C6	
Ⓜ	XYN3+F6	

11 ACCESSORIES AND PACKING MATERIALS



12 REPLACEMENT PARTS LIST

Notes:

1. The marking (RTL) indicates that the Retention Time is limited for this item.

After the discontinuation of this assembly in production, the item will continue to be available for a specific period of time. The retention period of availability is dependent on the type of assembly, and in accordance with the laws governing parts and product retention.

After the end of this period, the assembly will no longer be available.

2. Important safety notice

Components identified by Δ mark have special characteristics important for safety. When replacing any of these components, use only manufacture's specified parts.

3. The S mark means the part is one of some identical parts. For that reason, it may be different from the installed part.

4. ISO code (Example: ABS-HB) of the remarks column shows quality of the material and a flame resisting grade about plastics.

5. RESISTORS & CAPACITORS

Unless otherwise specified;

All resistors are in ohms (Ω) k=1000 Ω , M=1000k Ω

All capacitors are in MICRO FARADS (μ F) P= μ F

*Type & Wattage of Resistor

Type

ERC:Solid ERD:Carbon PQ4R:Chip	ERX:Metal Film ERG:Metal Oxide ERO:Metal Film	PQRD:Carbon PQRQ:Fuse ERF:Wire Wound
--------------------------------------	---	--

Wattege

10,16,18:1/8W	14,25,S2:1/4W	12,50,S1:1/2W	1:1W	2:2W	5:5W
---------------	---------------	---------------	------	------	------

ECFD:Semi-Conductor ECQS:Styrol PQCBX,ECUV:Chip ECMS:Mica	ECCD,ECKD,PQCBC,PQVP : Ceramic ECQM,ECQV,ECQE,ECQU,ECQB : Polyester ECEA,ECSZ,ECOS : Electrolytic ECQP : Polypropylene
--	---

Voltage

ECQ Type	ECQG ECQV Type	ECSZ Type	Others		
1H : 50V 2A : 100V 2E : 250V 2H : 500V	05 : 50V 1 : 100V 2 : 200V	0F : 3.15V 1A : 10V 1V : 35V 0J : 6.3V	0J : 6.3V 1A : 10V 1C : 16V 1E,25 : 25V	1V : 35V 50,1H : 50V 1J : 63V 2A : 100V	

12.1. CABINET AND ELECTRICAL PARTS

12.1.1. DOCUMENT TRAY BLOCK AND UPPER ADF SECTION

Ref. No.	Part No.	Part Name & Description	Remarks
1	PFKS1063Y1	TRAY	PS-HB
2	PFKR1023Z1	GUIDE,PAPER SLIDE L	ABS-HB
3	PFKR1024Z1	GUIDE,PAPER SLIDE R	ABS-HB
4	PFUS1222Z	SPRING,SLIDER	
5	PFDG1015Y	GEAR,SLIDER	POM-MB
6	PFQT1852Z	LABEL,MULTI TRAY	
10	PFKV1051X1	COVER	PS-HB
11	PFQT1850Z	LABEL,PULL TO OPEN	

Ref. No.	Part No.	Part Name & Description	Remarks
12	PFUS1351Z	SPRING,EXIT EARTH	
13	PFUS1343Z	SPRING,EXIT PINCH ROLLER	
14	PFDR1030Z	ROLLER,EXIT PINCH	POM-HB
15	PFJV1002Z	HOLDER	
16	PFMH1111Z	METAL PART/ADF PIVOT	
17	Not used		
18	PFKR1021Y1	GUIDE,DOCUMENT R	ABS-HB
19	PFKR1022Y1	GUIDE,DOCUMENT L	ABS-HB
20	PFQT1838Z	LABEL,FACE DOWN	
21	PFKV1050V1	COVER, TOP	PS-HB
22	PFDE1177Z	LEVER,LOCK ADF R	POM-HB
23	PFDE1178Z	LEVER,LOCK ADF L	POM-HB

12.1.2. CONVEYOR SECTION

Ref. No.	Part No.	Part Name & Description	Remarks
30	PFUE1012Z1	COVER,CONVEYOR EXIT	PS-HB
31	PFNPD052080	SPACER	
32	PFDN1056Z	ROLLER,ROLLER EXIT	
33	PFDJ1056Z	SPACER,DRIVE ROLLER2	
34	PFDN1055Z	ROLLER,DRIVE	POM-HB
35	PFUS1340Z	LEAF SPRING,FEED PINCH	
36	PFDR1029Z	ROLLER,FEED PINCH	POM-HB
37	PFJS03Q28Z	CONNECTOR	
38	PFUS1348Z	COIL SPRING,SEPA. RUBBER	
39	PFDE1175Y	LEVER,DOCUMENT TOP	POM-HB
40	PFDJ1055Z	SPACER,DRIVE ROLLER1	POM-HB
41	PFUE1011Y1	FRAME,VONVEYOR MAIN	PS-HB
42	PFHR1297Z	GUIDE,SEPARATION RUBBER	ABS-HB
43	PFHG1128Z	RUBBER PART,SEPARATION	
44	PFKV1052Z1	COVER,DOCUMENT FEED	PS-HB
45	PFHX1512Z	METAL PART,WHITE STANDARD	
46	PFDG1250Z	GEAR,IDLER DRIVE	
47	PFDG1249Z	GEAR,DRIVE ROLLER	POM-HB
48	PFDG1247Z	GEAR	POM-HB
49	PFDG1246Z	GEAR	POM-HB
50	PFDG1248Z	GEAR	POM-HB
51	PFDG1251Z	GEAR,IDLER SEPARATION	POM-HB
52	PFMH1110Z	METAL PART,ADF MOTOR	
53	35S1S15DGNE	DC MOTOR	
54	PFHX1399Z	COVER,MOTOR	
55	WLK22TG17M3M	CONNECTOR,EARTH ADF	

12.1.3. LOWER ADF SECTION

Ref. No.	Part No.	Part Name & Description	Remarks
70	PFHX1511Y	COVER,WHITE PLATE	
71	PFDG1015Y	GEAR,SLIDER	POM-HB
72	PFUS1222Z	COIL SPRING,SLIDER	
73	PFHR1298Z	RACK,GUIDE DOCUMENT	ABS-HB
74	PFUV1044Z	COVER,FEED MODULE	PS-V0
75	PFUV1043Z	COVER,GEAR	PS-V0
76	PFMH1117Z	METAL PART	
77	PFUS1341Z	LEAF SPRING	
78	PFDR1029Z	ROLLER,FEED PINCH	POM-HB
79	PFJS11Q27Z	CONNECTOR	
80	PFDJ1054Z	SPACER	POM-HB
81	PFDN1053Z	ROLLER	
82	PFDN1054Z	ROLLER,SEPARATION	
83	PFDE1174Z	LEVER/DOCUMENT	POM-HB
84	PFDJ1053Z	SPACER	POM-HB
85	PQUS10038Z	COIL SPRING	
86	PFDE1163Z	SPACER	POM-HB
87	PFDG1244Z	GEAR,IDLER FEED	POM-HB
88	PFDG1243Z	GEAR,FEED ROLLER	POM-HB
89	PFDG1245Z	GEAR	POM-HB
90	PFDE1173Z	ARM	POM-HB
91	XUC2FY	RETAINING RING	

Ref. No.	Part No.	Part Name & Description	Remarks
92	PFHX1519Z	COVER	
93	PFHE1068Z	TAPE,MAGIC TAPE	
94	PFUS1342Y	LEAF SPRING	
95	PFDR1029Z	ROLLER	POM-HB
96	PFUS1350Z	COIL SPRING	
97	PFHR1289Z	CHASSIS	POM-HB
98	XPJ2A14VW	KEY-PIN	
99	PFHR1291Z	CAM	POM-HB
100	PFHR1292Z	PLASTIC PART	POM-HB
101	PFHR1290Z	CHASSIS	POM-HB
102	PFUS1349Z	COIL SPRING	

12.1.4. UPPER PRINTER COVER SECTION

Ref. No.	Part No.	Part Name & Description	Remarks
120	PFYCFLB751M	TRANSPARENT PLATE	
121	PFHR1293Z	SPACER, CIS	POM-HB
122	N2GABE000001	PHOTO ELECTRIC TRANSDUCER	
123	PFUS1344Z	SPRING, CIS	
124	PFDC1001Y	GUIDE, CARRIAGE	PS-HB
125	PFJS04Q29Z	CONNECTOR, 4P	
126	PFJS10Q31Z	CONNECTOR, 10P	
127	PFLBK002	CORE	
128	PFJE1025Z	LEAD WIRE, FFC	
129	PFJE1026Z	LEAD WIRE, FFC	
130	PFDF1072Z	SHAFT, CARRIAGE	
131	PFDV1001Z	FLAT BELT, TIMING	
132	PFNPD031054C	WASHER	
133	PFDE1170Z	SPACER	POM-HB
134	PFDE1168Z	PULLEY	POM-HB
135	PFDG1238Z	GEAR, CARRIAGE	POM-HB
136	PFMH1103Z	METAL PART	
137	PFHX1399Z	COVER, MOTOR	
138	35S1S15DGNE	DC MOTOR	
139	PFUV1045Z	COVER	PS-V0
140	PFJS06Q30Y	CONNECTOR	
141	PFUV1046Z	COVER	PS-V0
142	PFUS1345Z	SPRING, TENTION	
143	PFDE1169Z	PULLEY, TENTION	POM-HB
144	PFMH1104Z	METAL PART	
145	PFDE1167Z	METAL PART, F.B. LOCK	POM-HB
146	Not used		
147	PFHX1566Z	COVER, SHEET	

12.1.5. LOWER PRINTER COVER SECTION

Ref. No.	Part No.	Part Name & Description	Remarks
160	PFDJ1042Z	SPACER, TRANSFER ROLLER	POM-HB
161	PFDS1003Y	ROLLER, TRANSFER	
162	PFDG1211Z	GEAR, TRANSFER ROLLER	POM-HB
163	PFMH1090Y	METAL PART	
164	PFUS1269Y	SPRING, TRANSFER ROLLER	
165	PFHX1518Z	PLASTIC PART	
166	PFUG1012X	GUIDE, MIDDLE	PS-HB
167	PFUS1347Z	SPRING, POP UP	
168	PFHR1301Z	COVER	PS-HB
169	PFUE1013Z	ARM, FLAT BED	PS-HB
170	PFHR1302Z	COVER	PS-HB
171	PFME1001Z	SPACER, DAMPER	POM-HB
172	PFHG1094Z	RUBBER PART, DAMPER	
173	PFQT1868Z	LABEL, CARRIAGE STOPPER	
174	PFHR1294Z1	COVER, CARRIAGE	ABS-HB
175	PFHX1539Z	COVER, PROTECTION TONER	
176	PFMH1105Z	METAL PART, PIVOT LOCK	
177	PFKM1086Y1	CABINET BODY, FLAT BED	PS-HB
178	PFBX1156Z2	PUSH BUTTON, FUNCTION	
179	PFGE1005Z1	PANEL, LIGHT	
180	PFBX1157Z1	PUSH BUTTON, NAVI	
181	PFBX1155Z2	PUSH BUTTON, DIAL	ABS-HB
182	PFGG1200K2	GRILLE, OPERATION	PS-HB

Ref. No.	Part No.	Part Name & Description	Remarks
183	PFGP1207X	PANEL, LCD	
184	PFGV1012Z	COVER/TEL.NO.CARD	
185	PFGD1047Z	CARD, TEL.NO.	
186	PFGG1074Z2	GRILLE, SUB	PS-HB
187	PFGV1016Z	COVER, LCD PROTECT	
188	PFGB1003Z3	BADGE	PS-HB
189	PFGX1004Z	PUSH BUTTON, STOP	
190	PFGX1002Z	PUSH BUTTON, COPY	
191	PFGX1003Z	PUSH BUTTON, FAX	
192	PFJS11Q32Y	CONNECTOR	
193	PFHP1105V	SHEET, CARRIAGE STOPPER	

12.1.6. UPPER MAIN CABINET SECTION

Ref. No.	Part No.	Part Name & Description	Remarks
200	PFKV1049Z1	COVER, PICK UP ROLLER	PS-HB
201	PFZRFLB751M	ROLLER, PICKUP ASS'Y	
202	PFUG1011Z1	GUIDE, PICK UP ROLLER	PS-HB
203	PFDJ1038Z	SPACER	POM-HB
204	PFUS1276Y	COIL SPRING	
205	PFHG1105Z	RUBBER PART	
206	PFKS1047Y1	TRAY	PC+ABS-HB
207	L6FAKEEK0010	MOTOR, FAN	
208	PFUE1010Y	AIR DUCT	
209	PFHX1538Z	COVER, SHEET	
210	PFDE1166Z	LEVER	POM-MB
211	PFMH1109Z	METAL PART, LOCK LEVER	
212	PFUS1360Z	SPRING, OPEN BUTTON	
213	PFDF1073Z	SHAFT, LOCK LEVER	
214	PFDE1165Z	LEVER	POM-HB
215	PFHG1127Z	RUBBER, SEPARATION PAPER	
216	PFHR1296X	GUIDE, SEPARATION PAPER	ABS-HB
217	PFHX1510Y	SPACER, SEPARATION PAPER	
218	PFUS1362X	SPRING, PAPER SEPARATION	
219	PFHX1545Z	COVER	
220	PFUS1279Y	SPRING, FEED EARTH	
221	PFKM1066Z1	CABINET, H/S CRADLE UPPER	PS-HB
222	PFBH1015Z1	BUTTON, HOOK	ABS-HB
223	PFKF1047Y1	CABINET, H/S CRADLE LOWER	PS-HB
224	PFUS1323Z	SPRING, FUSER EARTH	
225	PF0G1004Z	GLASS	
226	PFBC1083Z1	BUTTON, OPEN	ABS-HB
227	PFMH1107Z	METAL PART	
228	PFUS1359Y	SPRING, DOOR LOCK SPACER	
229	PFHR1300Y	SPACER, DOOR LOCK	POM-HB
230	XUC3FY	RETAINING RING	
231	PFDG1237X	GEAR, DAMPER	POM-HB
232	PFUS1346Y	COIL SPRING, DAMPER	
233	PFHR1288Y	DAMPER	POM-HB
234	XUC4FY	RETAINING RING	
235	PFMH1106Y	METAL PART	
236	PFGT2182Z-M	NAME PLATE	
237	PFQT1871Z	LABEL, OPEN	
238	PFQT1741Z	LABEL, HOT CAUTION	
239	PFQT1971Z	LABEL, PAPER REMOVAL	

12.1.7. LOWER MAIN CABINET SECTION

Ref. No.	Part No.	Part Name & Description	Remarks
250	PFMD1058Z	METAL PART	
251	PFHA1005Z	RUBBER, LEG	
252	PFMH1108Z	METAL PART	
253	PFHG1119Z	SPACER	
254	PFQT1719Z	LABEL, LSU CAUTION	⚠
255	LPA1602K	LSU	⚠
256	PFJS05P06Z	CONNECTOR, 5P	
257	PFJS08P05Z	CONNECTOR, 8P	
258	PFJE1023Z	LEAD WIRE, FFC	
259	WLL20YB20M4M	CONNECTOR (LEAD WIRE)	
260	PQLB1E1	INSULATOR	

Ref. No.	Part No.	Part Name & Description	Remarks
261	PFJS10P11Z	CONNECTOR,10P	
262	PFJS14P09Z	CONNECTOR,14P	
263	PFJP03S04Z	AC INLET	S △
264	WLR18YK26CM4	LEAD WIRE	S
265	PQMX10010Z	COVER	
266	PQHR945Z	BAND	
267	KR06TT251508	INSULATOR	
268	PFJS02P02Z	CONNECTOR,2P	
269	PFHX1508Z	TORSION SPRING	
270	PFDE1149Y	LEVER,PAPER EMPTY	ABS-HB
271	PFUS1278Z	SPRING,PICK UP EARTH	
272	PFUS1268Z	SPRING,SPEAKER	
273	PFJS02P12Z	CONNECTOR,2P	
274	PFUS1320Z	COIL SPRING	
275	PFAS50P003Z	SPEAKER	S
276	WLL20YG20M3M	CONNECTOR	
277	PFHG1138Z	RUBBER PART	
278	PFKM1087X1	CABINET BODY	
279	PFJS02P07Y	CONNECTOR,2P	
280	PFJS05P04Y	CONNECTOR,5P	
281	XWC4B	WASHER	
282	PFHX1553Z	COVER, EARTH SHEET	
283	PFUS1395Z	SPRING,SPEAKER EARTH	

12.1.8. FUSER SECTION

Ref. No.	Part No.	Part Name & Description	Remarks
290	PFDJ1037Z	SPACER,PRESSURE ROLLER	PPS-V0
291	PFUS1263Z	COIL SPRING,PRESSURE	
292	PFDS1007Z	ROLLER,PRESSURE	
293	PFUS1264Z	COIL SPRING,EJECT	
294	PFDR1017Z	ROLLER,SUPPORT ROLLER	POM-MB
295	PFUA1032X	CHASSIS	PBT+ABS+GF30%-V0
296	A4DP7K000001	HEATER,230 FUSER	△
297	PFDG1196Z	GEAR	PPS+GF30%-V0
298	PFDJ1036Z	SPACER,HEAT ROLLER B	PPS-V0
299	PFDS1004Z	ROLLER	
300	PFDJ1035Z	SPACER,HEAT ROLLER A	PPS-V0
301	PFHX1442Y	COVER	
302	PFMH1085Z	METAL PART	
303	PFDE1142X	LEVER,EXIT SENSOR	PBT-V0
304	PFDG1198Z	GEAR,EJECT IDLER	POM-HB
305	PFDG1197Z	GEAR,EJECT	POM-HB
306	PFUA1031W	CHASSIS	PBT+ABS+GF30%-V0
307	PFDR1016Z	ROLLER,EJECT	
308	PFTA1001Z	THERMOSTAT	△
309	PFHX1437Z	COVER	
310	PFJT1014Y	TERMINAL	
311	PF AE001	THERMAL FUSE	
312	PFJT1016Z	TERMINAL	
313	PFRT003	THERMISTOR	S
314	PFJT1015Z	TERMINAL	
315	XWE4E8	WASHER	

12.1.9. MAIN FRAME SECTION

Ref. No.	Part No.	Part Name & Description	Remarks
330	XUC2FY	RETAINING RING	
331	PFDG1201Z	GEAR,FEED ROLLER	
332	PFUS1325Z	COIL SPRING	
333	PFDJ1044Z	SPACER,FEED ROLLER	POM-HB
334	PF DN1047Z	ROLLER,FEED PAPER	
335	PFDF1005Z	SHAFT,SUPPORT ROLLER	
336	PQDR9685Y	ROLLER,SUPPORT	POM-HB
337	PFUS1396Z	COIL SPRING	

Ref. No.	Part No.	Part Name & Description	Remarks
338	PFUA1027X	CHASSIS	PC+ABS+GF20%-V0
339	PFQT1874V	LABEL,DRUM INSTALL	
340	PFQT2115Z	LABEL,LASER CAUTION	
341	PFUS1272Z	TORSION SPRING	
342	PFUE1001Z	PLASTIC PART	PS-FB
343	PFUS1274Z	TORSION SPRING	
344	PFUS1028Z	TORSION SPRING	
345	PFOM1004Z	MIRROR	
346	PFHR1299Z	COVER,DRUM UNIT	PS-HB
347	PFJS09P08Z	CONNECTOR	
348	PFUS1270Z	COIL SPRING	
349	PFUS1271Z	COIL SPRING	
350	PFUS1273Z	COIL SPRING	
351	PFDE1148Z	LEVER,PAPER TOP SENSOR	ABS-HB
352	PFUE1002X	LEVER,COVER OPEN	POM-HB
353	PFUE1003W	LEVER,TONER EMPTY	POM-HB
354	PFMH1089Z	METAL PARTS,MIX ROLLER	

12.1.10. MOTOR SECTION

Ref. No.	Part No.	Part Name & Description	Remarks
370	PF DG1186Z	GEAR	POM-HB
371	PF DG1188Z	GEAR	POM-HB
372	PF DG1189Z	GEAR	POM-HB
373	PF DG1187Z	GEAR	POM-HB
374	PFDF1056Z	SHAFT	
375	PFDE1171X	LEVER	POM-HB
376	PFDE1139Y	LEVER	POM-HB
377	PF DG1177Z	GEAR	POM-HB
378	PF DG1176Z	GEAR	POM-HB
379	PF DG1175Z	GEAR	POM-HB
380	PFUS1259Y	COIL SPRING	
381	PF FP1003Z	PLUNGER	
382	PF DG1190Y	GEAR	POM-HB
383	PF DF1057Z	SHAFT	
384	PF DG1185Z	GEAR	POM-HB
385	PF NPD052080	SPACER	
386	55SPM25D4NC	DC MOTOR	
387	PFUS1260Y	LEAF SPRING	
388	PFUA1029X	CHASSIS	PBT+ABS-HB
389	PF DG1241Z	GEAR	POM-HB
390	PF DG1242Z	GEAR	POM-HB
391	XUC4FY	RETAINING RING	
392	PF DG1184Z	GEAR	POM-HB
393	PF DG1181Y	GEAR	POM-HB
394	PF DJ1031X	SPACER	
395	PFUS1262Z	COIL SPRING	
396	PFUA1028U	CHASSIS	PBT+ABS-HB

12.2. ACCESSORIES AND PACKING MATERIALS

Ref. No.	Part No.	Part Name & Description	Remarks
A1	PFQW1991Z	LEAFLET	
A2	PFZX1FL501M	TRAY	
A3	PFZXFLB751M	TRAY	
A4	PFJKFLB756Z	CD-ROM	
A5	PFQX1866Z	INSTRUCTION BOOK(RUSSIAN)	
A5	PFQX1874Z	INSTRUCTION BOOK(UKRAINIAN)	
A6	PQJA10075Z	CORD,TEL	
A7	PQJA10038Y	CORD,POWER	△
A8	PQJA10126Z	CORD,CURL	
A9	PFJXE1005Z	HANDSET	
A10	Not used		
P1	PFPE1455Z-M	GIFT BOX	
P2	PF PN1266Y	CUSHION	
P3	PF PN1267Y	CUSHION	

Ref. No.	Part No.	Part Name & Description	Remarks
P4	PFPN1264Y	CUSHION	
P5	PFPN1265Y	CUSHION	
P6	PFPD1120Z	CUSHION	
P7	XZB20X30A04	PROTECTION COVER	
P8	PFPH1041Z	PROTECTION COVER	
P9	XZB32X45A04	PROTECTION COVER	
P10	PFP1017Z	PROTECTION COVER	
P11	PFP1040Y	PROTECTION COVER	

12.3. DIGITAL BOARD PARTS

Ref. No.	Part No.	Part Name & Description	Remarks
PCB1	PFWPFLB758RU	DIGITAL BOARD ASS'Y (RTL) (ICs)	
IC600	PFVIT2003APS	IC	S
IC601	PFVITVT245FT	IC	S
IC602	PFVITVT245FT	IC	S
IC603	C3ABPG000080	IC	
IC604	PFWPFLB758RU	It is impossible to replace IC604 by itself. To replace IC604, replace the PCB1 assembly.	
IC605	PFVINS11087D	IC	S
IC606	PFWIFLB758RU	IC	
IC608	C3ABPG000080	IC	
IC609	C1CB00001365	IC	
IC610	C1ZB20001924	IC	
IC611	PQVINJM2903M	IC	S
IC614	C0JBAC000265	IC	
IC615	C0JBAD000093	IC	
		(TRANSISTORS)	
Q600	2SB1322	TRANSISTOR(SI)	S
Q601	2SB1197K	TRANSISTOR(SI)	S
Q602	2SB1322	TRANSISTOR(SI)	S
Q603	2SB1197K	TRANSISTOR(SI)	S
Q604	2SB1197K	TRANSISTOR(SI)	S
Q605	PQVTDTC143E	TRANSISTOR(SI)	S
Q606	PQVTDTC143E	TRANSISTOR(SI)	S
Q607	PQVTDTC143E	TRANSISTOR(SI)	S
Q608	PQVTDTC143E	TRANSISTOR(SI)	S
Q609	PQVTDTC143E	TRANSISTOR(SI)	S
Q610	2SB1197K	TRANSISTOR(SI)	S
Q611	PQVTDTC143E	TRANSISTOR(SI)	S
Q612	2SB1197K	TRANSISTOR(SI)	S
Q613	PQVTDTC143E	TRANSISTOR(SI)	S
Q614	PQVTDTC143E	TRANSISTOR(SI)	S
Q615	2SB1197K	TRANSISTOR(SI)	S
Q616	PQVTDTC143E	TRANSISTOR(SI)	S
Q617	PQVTDTC143E	TRANSISTOR(SI)	S
Q618	PQVTDTC143E	TRANSISTOR(SI)	S
Q619	PQVTDTC143E	TRANSISTOR(SI)	S
Q620	2SD1819A	TRANSISTOR(SI)	S
Q621	2SD1819A	TRANSISTOR(SI)	S
Q622	PQVTDTC143E	TRANSISTOR(SI)	S
Q623	PQVTDTC143E	TRANSISTOR(SI)	S
Q624	PQVTDTC143E	TRANSISTOR(SI)	S
Q625	PQVTDTC143E	TRANSISTOR(SI)	S
Q626	PQVTDTC143E	TRANSISTOR(SI)	S
Q627	PQVTDTC143E	TRANSISTOR(SI)	S
Q628	2SB1197K	TRANSISTOR(SI)	S
Q629	2SB1197K	TRANSISTOR(SI)	S
Q630	2SB1197K	TRANSISTOR(SI)	S
		(DIODES)	
C654	PQVDNCD56DT	DIODE(SI)	S
D600	MA7160	DIODE(SI)	
D601	PQVDNCD56DT	DIODE(SI)	S
D602	MA141WK	DIODE(SI)	
D603	PQVDRLS73T	DIODE(SI)	S
D604	PQVDNCD56DT	DIODE(SI)	S
D606	PFVDRMRLS245	DIODE(SI)	S
D607	PFVDRMRLS245	DIODE(SI)	S
D608	BOJAME000005	DIODE(SI)	

Ref. No.	Part No.	Part Name & Description	Remarks
DA600	PFVDNECD5R6G	DIODE(SI)	
DA601	PFVDNECD5R6G	DIODE(SI)	
DA602	PFVDNECD5R6G	DIODE(SI)	
DA603	PFVDNECD5R6G	DIODE(SI)	
DA604	BOZBZ0000048	DIODE(SI) (BATTERY)	
BAT600	PFSU1004Z	LITHIUM BATTERY (CAPACITORS)	S
C600	ECUV1E104ZVF	0.1	S
C604	ECEALVKA101	100	S
C605	ECUV1H102KBV	0.001	
C606	ECUV1H102KBV	0.001	
C607	ECUV1H102KBV	0.001	
C608	ECUV1H102KBV	0.001	
C609	ECUV1H102KBV	0.001	
C610	ECUV1H102KBV	0.001	
C611	ECUV1H102KBV	0.001	
C612	ECUV1H102KBV	0.001	
C613	ECUV1H102KBV	0.001	
C614	ECUV1H102KBV	0.001	
C616	ECUV1H102KBV	0.001	
C617	ECUV1H102KBV	0.001	
C618	ECUV1H102KBV	0.001	
C619	ECUV1H102KBV	0.001	
C620	ECUV1H102KBV	0.001	
C621	ECUV1H102KBV	0.001	
C622	ECUV1H102KBV	0.001	
C623	ECUV1H102KBV	0.001	
C624	ECUV1C104ZVF	0.1	
C625	ECUV1C104ZVF	0.1	
C626	ECEALHU100	10	S
C627	ECUV1E104ZVF	0.1	S
C628	ECUV1H102KBV	0.001	
C629	ECUV1H102KBV	0.001	
C630	ECUV1H102KBV	0.001	
C631	ECUV1H102KBV	0.001	
C632	ECUV1H102KBV	0.001	
C633	ECUV1H102KBV	0.001	
C634	ECUV1C104ZVF	0.1	
C635	ECUV1H270JCV	27P	
C636	ECUV1C104ZVF	0.1	
C637	ECUV1C104ZVF	0.1	
C638	ECUV1C104ZVF	0.1	
C639	ECUV1C334ZVF	0.33	
C640	ECUV1H102KBV	0.001	
C642	ECUV1A105ZVF	1	
C643	ECUV1C334ZVF	0.33	
C647	ECUV1H270JCV	27P	
C648	ECUV1C104ZVF	0.1	
C649	ECUV1C104ZVF	0.1	
C650	ECUV1H270JCV	27P	
C652	ECUV1C104ZVF	0.1	
C653	ECEA0JK221	220	S
C655	ECUV1C104KBV	0.1	
C656	ECUV1C334ZVF	0.33	
C657	ECUV1C104KBV	0.1	
C658	ECUV1C104KBV	0.1	
C659	ECUV1C104KBV	0.1	
C660	ECUV1C104ZVF	0.1	
C661	ECUV1C104ZVF	0.1	
C662	ECUV1C104ZVF	0.1	
C663	ECEA0JKS101	100	S
C664	ECUV1H150JCV	15P	
C665	ECUV1H220JCV	22P	
C666	ECUV1C104ZVF	0.1	
C667	ECUV1H220JCV	22P	
C671	ECUV1C104ZVF	0.1	
C672	ECUV1H270JCV	27P	
C673	ECUV1C104ZVF	0.1	
C674	ECUV1C104ZVF	0.1	
C675	ECUV1C104ZVF	0.1	
C676	ECUV1C104ZVF	0.1	
C678	ECUV1H180JCV	18P	

Ref. No.	Part No.	Part Name & Description	Remarks
C681	ECUV1H150JCV	15p	
C682	ECUV1H150JCV	15p	
C684	ECUV1H150JCV	15p	
C685	ECUV1H150JCV	15p	
C686	ECUV1H150JCV	15p	
C687	ECUV1H270JCV	27p	
C688	ECUV1C104ZFV	0.1	
C689	ECUV1C104ZFV	0.1	
C690	ECUV1H270JCV	27p	
C691	ECUV1C334ZFV	0.33	
C692	ECUV1C104ZFV	0.1	
C693	ECUV1H331JCV	330p	S
C694	ECUV1C104ZFV	0.1	
C695	ECUV1C104ZFV	0.1	
C698	ECUV1C104ZFV	0.1	
C699	ECUV1C104ZFV	0.1	
C700	ECUV1C104ZFV	0.1	
C701	ECUV1C104ZFV	0.1	
C702	ECEA1HU100	10	S
C703	ECEA1HU100	10	S
C704	ECUV1C104ZFV	0.1	
C705	ECUV1C104ZFV	0.1	
C707	ECUV1C104ZFV	0.1	
C708	ECUV1H102KEV	0.001	
C709	ECUV1C104ZFV	0.1	
C710	ECUV1C104ZFV	0.1	
C711	ECEA1HU100	10	S
C712	ECUV1C104ZFV	0.1	
C713	ECEA1HU100	10	S
C714	ECUV1C104ZFV	0.1	
C715	ECUV1C104ZFV	0.1	
C716	ECUV1C104ZFV	0.1	
C717	ECUV1C104ZFV	0.1	
C718	ECUV1C104ZFV	0.1	
C719	ECUV1C104ZFV	0.1	
C720	ECUV1C104ZFV	0.1	
C721	ECUV1H103KEV	0.01	
C722	ECUV1H102KEV	0.001	
C723	ECUV1A224KBV	0.22	
C738	ECUV1C104ZFV	0.1	
C739	ECUV1C104ZFV	0.1	
C740	ECUV1C104ZFV	0.1	
C741	ECUV1H103KEV	0.01	
C742	ECUV1H102KEV	0.001	
C743	ECUV1H102KEV	0.001	
C744	ECUV1H821KBV	820p	
C745	ECEA1AU101	100	S
C747	ECUV1C104ZFV	0.1	
C750	ECUV1C104ZFV	0.1	
C751	ECUV1C104ZFV	0.1	
C752	ECEA1VKA101	100	S
C753	ECEA1AU101	100	S
C754	ECUV1C104ZFV	0.1	
C755	ECUV1E104ZFV	0.1	S
C756	ECUV1E104ZFV	0.1	S
C757	ECEA1VKA101	100	S
C758	ECUV1C104ZFV	0.1	
C759	ECUV1C104ZFV	0.1	
C760	ECUV1C104ZFV	0.1	
C761	ECUV1C104ZFV	0.1	
C762	ECUV1A105ZFV	1	
C763	ECUV1C104ZFV	0.1	
C764	ECUV1H101JCV	100p	
C765	ECUV1H101JCV	100p	
C766	ECUV1H101JCV	100p	
C767	ECUV1H101JCV	100p	
C768	ECUV1H101JCV	100p	
C769	ECUV1H180JCV	18p	
C772	ECUV1C104ZFV	0.1	
C774	ECUV1C104ZFV	0.1	
		(CONNECTORS)	
CN600	K1FB136B0031	CONNECTOR, 36P	
CN601	PQJP6G30Y	CONNECTOR, 6P	S

Ref. No.	Part No.	Part Name & Description	Remarks
CN602	K1AB110B0001	CONNECTOR, 10P	
CN603	PQJP3G30Z	CONNECTOR, 3P	S
CN605	PQJP14G30Y	CONNECTOR, 14P	
CN606	PQJP4G30Y	CONNECTOR, 4P	S
CN607	K1KB04B00036	CONNECTOR, 4P	
CN608	PQJP10G30Y	CONNECTOR, 10P	S
CN609	PQJP02G100Z	CONNECTOR, 2P	
CN610	PQJP5G30Y	CONNECTOR, 5P	S
CN611	PQJP11G30Y	CONNECTOR, 11P	S
CN612	PQJP05G100Z	CONNECTOR, 5P	
CN613	PQJP8G30Y	CONNECTOR, 8P	S
CN614	PQJP9G30Y	CONNECTOR, 9P	S
CN615	PQJP10G30Y	CONNECTOR, 10P	S
CN616	PQJS28X59Z	CONNECTOR (FUSE)	
F600	FFRB002122KZ	FUSE	S
F601	FFRB002122KZ	FUSE	S
F602	FFRB0031063	FUSE RESISTOR	
F603	FFRB0031063	FUSE RESISTOR	
F604	FFRB0031063	FUSE RESISTOR	
F605	FFRB0031200	FUSE RESISTOR	S
F606	FFRB0031031T	FUSE RESISTOR (COILS)	S
L621	PQLQR2BT	COIL	S
L628	PQLQR2BT	COIL	S
L632	PQLQR2BT	COIL	S
L638	PQLQR1ET	COIL	S
L649	PQLQR2BT	COIL	S
L669	PQLQR2BT	COIL	S
L670	PQLQR2BT	COIL	S
L671	PQLQR2BT	COIL	S
L672	PQLQR2BT	COIL	S
R667	PQLQR2BT	COIL	S
R790	PQLQR2BT	COIL (COMPONENT PARTS)	S
L643	EXCELDR35	COMPONENTS PART	
L644	EXCELDR35	COMPONENTS PART (CERAMIC FILTERS)	
L600	PFVF1B601ST	CERAMIC FILTER	S
L601	PFVF1B601ST	CERAMIC FILTER	S
L602	PFVF1B601ST	CERAMIC FILTER	S
L603	PFVF1B601ST	CERAMIC FILTER	S
L604	PFVF1B601ST	CERAMIC FILTER	S
L605	PFVF1B601ST	CERAMIC FILTER	S
L606	PFVF1B601ST	CERAMIC FILTER	S
L607	PFVF1B601ST	CERAMIC FILTER	S
L608	PFVF1B601ST	CERAMIC FILTER	S
L609	PFVF1B601ST	CERAMIC FILTER	S
L610	PFVF1B601ST	CERAMIC FILTER	S
L611	PFVF1B601ST	CERAMIC FILTER	S
L612	PFVF1B601ST	CERAMIC FILTER	S
L613	PFVF1B601ST	CERAMIC FILTER	S
L614	PFVF1B601ST	CERAMIC FILTER	S
L615	PFVF1B601ST	CERAMIC FILTER	S
L616	PFVF1B601ST	CERAMIC FILTER	S
L617	PFVF1B601ST	CERAMIC FILTER	S
L618	PFVF1B601ST	CERAMIC FILTER	S
L619	PFVF1B601ST	CERAMIC FILTER	S
L620	PFVF1B601ST	CERAMIC FILTER	S
L622	PFVF1B601ST	CERAMIC FILTER	S
L623	PFVF1B601ST	CERAMIC FILTER	S
L624	PFVF1B601ST	CERAMIC FILTER	S
L625	PFVF1B601ST	CERAMIC FILTER	S
L626	PFVF1B252SDT	CERAMIC FILTER	S
L627	PFVF1B252SDT	CERAMIC FILTER	S
L639	PFVF1B601ST	CERAMIC FILTER	S
L640	PFVF1B252SDT	CERAMIC FILTER	S
L641	PFVF1B252SDT	CERAMIC FILTER	S
L642	PFVF1B252SDT	CERAMIC FILTER	S
L648	PFVF1B252SDT	CERAMIC FILTER	S
L654	PFVF1B252SDT	CERAMIC FILTER	S
L655	PFVF1B252SDT	CERAMIC FILTER	S
L656	PFVF1B252SDT	CERAMIC FILTER	S

Ref. No.	Part No.	Part Name & Description	Remarks
L657	PFVFB252SDT	CERAMIC FILTER	S
L658	PFVFB252SDT	CERAMIC FILTER	S
L659	PFVFB252SDT	CERAMIC FILTER	S
L660	PFVFB252SDT	CERAMIC FILTER	S
L661	PFVFB252SDT	CERAMIC FILTER	S
L662	PFVFB252SDT	CERAMIC FILTER	S
L663	PFVFB252SDT	CERAMIC FILTER	S
L664	PFVFB252SDT	CERAMIC FILTER	S
L665	PFVFB252SDT	CERAMIC FILTER	S
L666	PFVFB252SDT	CERAMIC FILTER	S
L667	PFVFB252SDT	CERAMIC FILTER	S
L673	PFVFB252SDT	CERAMIC FILTER	S
L674	PFVFB252SDT	CERAMIC FILTER	S
L678	PFVFB252SDT	CERAMIC FILTER	S
L679	PFVFB252SDT	CERAMIC FILTER	S
L680	PFVFB252SDT	CERAMIC FILTER	S
L681	PFVFB252SDT	CERAMIC FILTER	S
L682	PFVFB252SDT	CERAMIC FILTER	S
L683	PFVFB252SDT	CERAMIC FILTER	S
L684	PFVFB252SDT	CERAMIC FILTER	S
L685	PFVFB252SDT	CERAMIC FILTER	S
L686	PFVFB252SDT	CERAMIC FILTER	S
R743	PFVFB252SDT	CERAMIC FILTER	S
R744	PFVFB252SDT	CERAMIC FILTER	S
		(RESISTORS)	
L630	PQ4R10XJ000	0	S
L634	PQ4R10XJ000	0	S
L636	ERJ3GEY0R00	0	
L637	ERJ3GEYJ4R7	4.7	
L645	ERJ3GEY0R00	0	
L646	ERJ3GEY0R00	0	
L647	ERJ3GEY0R00	0	
L650	ERJ3GEYJ471	470	
L651	ERJ3GEYJ471	470	
L652	ERJ3GEYJ471	470	
L668	PQ4R10XJ000	0	S
R600	PQ4R10XJ000	0	S
R601	ERDS1VJ152	1.5k	S
R602	ERJ3GEYJ221	220	
R603	ERJ3GEYJ102	1k	
R604	ERDS1VJ152	1.5k	S
R605	ERJ3GEYJ102	1k	
R607	ERJ3GEYJ103	10k	
R611	ERJ3GEYJ103	10k	
R612	ERJ3GEYJ101	100	
R613	ERJ14YJ4R7	4.7	
R614	ERJ3GEYJ332	3.3k	
R615	ERJ3GEYJ222	2.2k	
R616	ERJ3GEYJ472	4.7k	
R617	ERJ14YJ472	4.7k	
R618	ERJ14YJ472	4.7k	
R619	ERJ3GEYJ102	1k	
R620	ERJ3GEYJ562	5.6k	
R621	ERJ3GEYJ563	56k	
R623	ERJ3GEYJ103	10k	
R624	ERJ3GEYJ103	10k	
R625	ERJ3GEYJ101	100	
R626	ERJ3GEYJ562	5.6k	
R627	ERJ3GEYJ562	5.6k	
R628	ERJ3GEYJ562	5.6k	
R629	ERJ3GEYJ562	5.6k	
R630	ERJ3GEYJ563	56k	
R631	ERJ3GEYJ563	56k	
R632	ERJ3GEYJ332	3.3k	
R633	ERJ3GEYJ222	2.2k	
R634	ERJ3GEYJ472	4.7k	
R635	ERJ3GEYJ562	5.6k	
R636	ERJ3GEYJ562	5.6k	
R637	ERJ3GEYJ563	56k	
R638	ERJ3GEYJ563	56k	
R639	ERJ3GEYJ221	220	
R640	ERJ3GEYJ152	1.5k	
R641	ERJ3GEYJ104	100k	

Ref. No.	Part No.	Part Name & Description	Remarks
R642	ERJ3GEYJ152	1.5k	
R643	ERJ3GEYJ332	3.3k	
R644	ERJ3GEYJ822	8.2k	
R645	ERJ3GEYJ103	10k	
R646	ERJ3GEYJ222	2.2k	
R647	ERJ3GEYJ103	10k	
R648	ERJ3GEY0R00	0	
R649	ERJ3GEYJ184	180k	
R651	ERJ3GEYJ270	27	
R652	ERJ3GEYJ270	27	
R653	ERJ3GEYJ563	56k	
R654	ERJ3GEYJ222	2.2k	
R655	ERJ3GEYJ472	4.7k	
R657	ERJ3GEYJ220	22	
R658	ERJ3GEYJ122	1.2k	
R659	ERJ3GEYJ221	220	
R660	ERJ3GEYJ101	100	
R661	ERJ3GEYJ105	1M	
R662	ERJ3GEYJ101	100	
R663	ERJ3GEYJ475	4.7M	
R665	ERJ3GEYJ103	10k	
R666	ERJ3GEY0R00	0	
R669	PQ4R10XJ000	0	S
R671	ERJ3GEY0R00	0	
R672	ERJ3GEY0R00	0	
R673	ERJ3GEY0R00	0	
R675	ERJ3GEYJ220	22	
R676	ERJ3GEYJ220	22	
R677	ERJ3GEYJ103	10k	
R678	ERJ3GEYJ103	10k	
R679	ERJ3GEYJ103	10k	
R680	ERJ3GEYJ103	10k	
R681	ERJ3GEYJ103	10k	
R682	ERJ3GEY0R00	0	
R683	ERJ3GEY0R00	0	
R684	ERJ3GEY0R00	0	
R685	ERJ3GEY0R00	0	
R686	ERJ3GEYJ392	3.9k	
R687	ERJ3GEYJ101	100	
R688	ERJ3GEYJ331	330	
R689	ERJ14YJ472	4.7k	
R690	ERJ3GEYJ103	10k	
R691	ERJ3EKF6801	6.8k	
R693	ERJ3GEYJ562	5.6k	
R694	ERJ3GEYJ563	56k	
R700	ERJ3EKF1802	18k	
R701	ERJ3EKF4701	4.7k	
R702	ERJ3GEYJ103	10k	
R703	ERJ3GEYJ103	10k	
R704	ERJ3GEYJ103	10k	
R705	ERJ3GEYJ104	100k	
R706	ERJ3GEYJ332	3.3k	
R707	ERJ3GEYJ562	5.6k	
R711	ERJ3GEYJ102	1k	
R712	ERJ3GEYJ101	100	
R713	ERJ3GEYJ101	100	
R714	ERJ3GEYJ101	100	
R715	ERJ3GEYJ101	100	
R716	ERJ3GEYJ101	100	
R719	ERJ3GEYJ103	10k	
R720	ERJ3GEYJ472	4.7k	
R721	ERJ3GEYJ272	2.7k	
R722	ERJ3GEYJ393	39k	
R723	ERJ3GEYJ101	100	
R724	ERJ3GEYJ103	10k	
R725	ERJ3GEYJ102	1k	
R726	ERJ3GEYJ103	10k	
R727	ERJ3GEYJ103	10k	
R728	ERJ3GEYJ103	10k	
R731	ERJ3GEY0R00	0	
R732	ERJ3GEY0R00	0	
R733	ERJ3GEYJ103	10k	
R734	ERJ3GEYJ101	100	

Ref. No.	Part No.	Part Name & Description	Remarks
R735	ERJ3GEYJ101	100	
R736	ERJ3GEYJ101	100	
R737	ERJ3GEYJ333	33k	
R738	ERJ3GEYJ562	5.6k	
R739	ERJ3GEYJ103	10k	
R740	ERJ3GEY0R00	0	
R748	ERJ3GEYJ101	100	
R749	ERJ3GEYJ101	100	
R750	ERJ3GEYJ101	100	
R754	ERJ3GEYJ103	10k	
R755	ERJ3GEYJ103	10k	
R756	ERJ3GEYJ103	10k	
R757	ERJ3GEYJ103	10k	
R758	ERJ3GEYJ103	10k	
R759	ERJ3GEYJ103	10k	
R760	ERJ3GEYJ563	56k	
R761	ERJ3GEYJ563	56k	
R762	PQ4R10XJ000	0	S
R763	ERJ3GEYJ220	22	
R764	ERJ3GEYJ103	10k	
R765	ERJ3GEYJ102	1k	
R766	ERJ3GEYJ103	10k	
R768	ERJ3GEYJ103	10k	
R769	ERX1S2R2	2.2	
R770	ERJ3GEYJ222	2.2k	
R771	ERJ3GEYJ472	4.7k	
R772	ERJ3GEYJ222	2.2k	
R773	ERJ3GEYJ472	4.7k	
R774	ERJ14YJ472	4.7k	
R775	ERJ3GEYJ103	10k	
R776	ERJ3GEYF393	39k	S
R777	ERJ3GEYJ103	10k	
R778	ERG2S271	270	
R779	ERJ3GEYJ220	22	
R780	ERJ3GEYJ220	22	
R781	ERJ3GEYJ220	22	
R782	ERJ3GEYJ220	22	
R783	ERJ3GEYJ220	22	
R784	ERJ3GEYJ220	22	
R785	ERJ3GEYJ220	22	
R786	ERJ3GEYJ220	22	
R787	ERJ3GEYJ220	22	
R788	PQ4R10XJ000	0	S
R791	ERJ3GEYJ103	10k	
R792	ERJ3GEYJ103	10k	
R796	PQ4R10XJ000	0	S
R799	PQ4R10XJ000	0	S
R800	ERJ3GEY0R00	0	
R801	ERJ3GEY0R00	0	
R802	ERJ3GEYJ103	10k	
RA600	D1H81024A010	1k	
RA601	D1H81024A010	1k	
RA602	D1H81024A010	1k	
RA603	D1H81024A010	1k	
RA604	D1H82204A010	22	
RA610	D1H82204A010	22	
RA612	D1H81034A010	10k	
RA613	D1H81034A010	10k	
RA614	D1H81034A010	10k	
RA617	D1H81034A010	10k	
RA622	D1H82204A010	22	
RA623	D1H82204A010	22	
RA624	D1H82204A010	22	
RA625	D1H82204A010	22	
RA626	D1H82204A010	22	
		(COMPONENTS PARTS)	
RA605	PFXBV8V470JV	RESISTOR ARRAY	S
RA606	PFXBV8V470JV	RESISTOR ARRAY	S
RA607	PFXBV8V470JV	RESISTOR ARRAY	S
RA608	PFXBV8V470JV	RESISTOR ARRAY	S
RA618	PFXBV8V470JV	RESISTOR ARRAY	S
RA619	PFXBV8V470JV	RESISTOR ARRAY	S
RA620	PFXBV8V470JV	RESISTOR ARRAY	S

Ref. No.	Part No.	Part Name & Description	Remarks
RA621	PFXBV8V470JV	RESISTOR ARRAY	S
		(CRYSTAL OSCILLATORS)	
X600	H0J282500005	CRYSTAL OSCILLATOR	
X601	PFVCCFS32Z	CRYSTAL OSCILLATOR	S

12.4. ANALOG BOARD PARTS

Ref. No.	Part No.	Part Name & Description	Remarks
PCB2	PFLP1377RU-A	ANALOG BOARD ASS'Y (RTL)	
		(ICs)	
IC201	AN6384SB	IC	
IC202	C1BB00000101	IC	
IC203	PQVIMC34119D	IC	S
IC204	C0ABEB000038	IC	
IC205	C0ABEB000038	IC	
IC206	C0ABEB000038	IC	
IC207	C0ABEB000038	IC	
IC208	AN6123MS	IC	
IC209	C0ABEB000038	IC	
		(TRANSISTORS)	
Q201	2SD1921Q	TRANSISTOR (SI)	S
Q202	2SC2235	TRANSISTOR (SI)	S
Q203	2SB1218A	TRANSISTOR (SI)	
Q205	PQVTDTC143E	TRANSISTOR (SI)	S
Q206	2SD1819A	TRANSISTOR (SI)	S
Q207	2SD1819A	TRANSISTOR (SI)	S
Q208	2SA1627	TRANSISTOR (SI)	S
Q210	PQVTDTC143E	TRANSISTOR (SI)	S
Q211	2SA1627	TRANSISTOR (SI)	S
Q213	PQVTDTC143E	TRANSISTOR (SI)	S
Q214	2SD1819A	TRANSISTOR (SI)	S
Q215	2SB1218A	TRANSISTOR (SI)	
		(DIODES)	
D201	MA4056	DIODE (SI)	
D202	MA4056	DIODE (SI)	
D203	MA4056	DIODE (SI)	
D204	1SS133	DIODE (SI)	S
D205	1SS133	DIODE (SI)	S
D208	1SS133	DIODE (SI)	S
D209	PFVDDGS1ZB60	DIODE (SI)	
D211	MA4056	DIODE (SI)	
D212	MA4056	DIODE (SI)	
DA201	MA143	DIODE (SI)	
		(CONNECTORS & JACKS)	
CN201	PQJP02G100Z	CONNECTOR, 2P	
CN202	PQJS28X59Z	CONNECTOR	
CN203	PQJJ1TC5Z	JACK	S
CN204	PQJJ1TB18Z	JACK	S
CN205	PQJJ1TC5Z	JACK	S
		(COILS)	
FL221	PFLE126	COIL	S
L229	PQLQXD152K	COIL	S
L230	PQLQXD152K	COIL	S
L235	PQLQR1E32A07	COIL	S
L236	PQLQR1E32A07	COIL	S
L238	PQLQR1E32A07	COIL	S
L239	PQLQR1E32A07	COIL	S
		(CERAMIC FILTERS)	
FL216	PQVFN3C223R	CERAMIC FILTER	
FL217	PQVFN3C223R	CERAMIC FILTER	
FL218	PQVFN3C223R	CERAMIC FILTER	
FL219	PQVFN3C223R	CERAMIC FILTER	
FL223	PQVFN3C223R	CERAMIC FILTER	
J229	PFVFB252SDT	CERAMIC FILTER	S
J230	PFVFB252SDT	CERAMIC FILTER	S
J378	PFVFB252SDT	CERAMIC FILTER	S
J385	PFVFB252SDT	CERAMIC FILTER	S
L202	PFVFB252SDT	CERAMIC FILTER	S
L203	PFVFB252SDT	CERAMIC FILTER	S
L205	PFVFB252SDT	CERAMIC FILTER	S
L206	PFVFB252SDT	CERAMIC FILTER	S
L207	PFVFB252SDT	CERAMIC FILTER	S

Ref. No.	Part No.	Part Name & Description	Remarks
L213	PFVFB252SDT	CERAMIC FILTER	S
L232	PFVFB252SDT	CERAMIC FILTER	S
L233	PFVFB252SDT	CERAMIC FILTER	S
L234	PFVFB252SDT	CERAMIC FILTER	S
L237	PFVFB252SDT	CERAMIC FILTER	S
L241	PFVFB252SDT	CERAMIC FILTER	S
L242	PFVFB252SDT	CERAMIC FILTER	S
L243	PFVFB252SDT	CERAMIC FILTER	S
L244	PFVFB252SDT	CERAMIC FILTER	S
L249	PFVFB252SDT	CERAMIC FILTER	S
L250	PFVFB252SDT	CERAMIC FILTER	S
L251	PFVFB252SDT	CERAMIC FILTER	S
L253	PFVFB252SDT	CERAMIC FILTER	S
L254	PFVFB252SDT	CERAMIC FILTER	S
L255	PFVFB252SDT	CERAMIC FILTER	S
L256	PFVFB252SDT	CERAMIC FILTER	S
L257	PFVFB252SDT	CERAMIC FILTER	S
L259	PFVFB252SDT	CERAMIC FILTER	S
L260	PFVFB252SDT	CERAMIC FILTER	S
L261	PFVFB252SDT	CERAMIC FILTER	S
L264	PFVFB252SDT	CERAMIC FILTER	S
L265	PFVFB252SDT	CERAMIC FILTER	S
L266	PFVFB252SDT	CERAMIC FILTER	S
L267	PFVFB252SDT	CERAMIC FILTER	S
L268	PFVFB252SDT	CERAMIC FILTER	S
L269	PFVFB252SDT	CERAMIC FILTER	S
L270	PFVFB252SDT	CERAMIC FILTER	S
L271	PFVFB252SDT	CERAMIC FILTER	S
L272	PFVFB252SDT	CERAMIC FILTER	S
L273	PFVFB252SDT	CERAMIC FILTER	S
R217	PFVFB252SDT	CERAMIC FILTER	S
R244	PFVFB252SDT	CERAMIC FILTER	S
R245	PFVFB252SDT	CERAMIC FILTER	S
R247	PFVFB252SDT	CERAMIC FILTER	S
R252	PFVFB252SDT	CERAMIC FILTER	S
R255	PFVFB252SDT	CERAMIC FILTER	S
R259	PFVFB252SDT	CERAMIC FILTER	S
R265	PFVFB252SDT	CERAMIC FILTER	S
R271	PFVFB252SDT	CERAMIC FILTER	S
R274	PFVFB252SDT	CERAMIC FILTER	S
R277	PFVFB252SDT	CERAMIC FILTER	S
R278	PFVFB252SDT	CERAMIC FILTER	S
R299	PFVFB252SDT	CERAMIC FILTER	S
R308	PFVFB252SDT	CERAMIC FILTER	S
R313	PFVFB252SDT	CERAMIC FILTER	S
		(CAPACITORS)	
C201	ECUV1H121JCV	120p	
C203	ECUV1H151JCV	150p	
C204	ECUV1H101JCV	100p	
C205	ECUV1H101JCV	100p	
C206	ECUV1H101JCV	100p	
C209	ECUV1C104ZFB	0.1	
C210	ECUV1C104KBV	0.1	
C211	ECEAJU331	330	S
C212	ECUV1H152KBV	0.0015	
C213	ECUV1C104ZFB	0.1	
C214	ECUV1C104KBV	0.1	
C215	ECUV1C104ZFB	0.1	
C216	ECEAHU100	10	S
C217	ECUV1H223KBV	0.022	S
C218	ECUV1C104ZFB	0.1	
C219	ECUV1C104KBV	0.1	
C220	ECUV1H681JCV	680p	
C221	ECEAVU101	100	S
C222	ECUV1H330JCV	33p	
C223	ECUV1H100DCV	10p	S
C224	ECUV1C104KBV	0.1	
C225	ECUV1C104ZFB	0.1	
C226	ECUV1C104KBV	0.1	
C228	ECEAEU101	100	S
C229	ECEAJK221	220	S
C230	ECUV1C104ZFB	0.1	
C231	ECUV1C104ZFB	0.1	

Ref. No.	Part No.	Part Name & Description	Remarks
C234	ECUV1C104ZFB	0.1	
C235	ECUV1H152KBV	0.0015	
C236	ECEAHKS010	1	S
C237	ECEAJK221	220	S
C239	ECUV1C104KBV	0.1	
C240	ECUV1A105ZFB	1	
C241	ECUV1A105ZFB	1	
C242	ECUV1C273KBV	0.027	
C243	ECUV1C104KBV	0.1	
C244	ECUV1A224KBV	0.22	
C246	ECUV1H102KBV	0.001	
C247	ECUV1H270JCV	27p	
C248	ECUV1H681JCV	680p	S
C250	ECEAAU101	100	S
C252	ECUV1H681JCV	680p	S
C254	ECUV1C104KBV	0.1	
C256	ECUV1C104KBV	0.1	
C257	ECUV1C104KBV	0.1	
C261	ECUV1H821KBV	820p	
C262	ECUV1H391JCV	390p	
C263	ECUV1H223KBV	0.022	S
C266	ECEALCKS100	10	S
C267	ECUV1H100DCV	10p	S
C268	ECUV1C273KBV	0.027	
C269	ECUV1C104ZFB	0.1	
C270	ECUV1H391JCV	390p	
C272	ECUV1H222KBV	0.0022	
C273	ECUV1C104ZFB	0.1	
C274	ECEAVU101	100	S
C275	ECUV1C104ZFB	0.1	
C277	ECUV1H682KBV	0.0068	
C278	ECEAHU2R2	2.2	S
C279	ECEAVU331	330	S
C280	ECUV1H271JCV	270p	
C281	ECUV1H100DCV	10p	S
C282	ECUV1C104ZFB	0.1	
C284	ECUV1H332KBV	0.0033	
C285	ECUV1H223KBV	0.022	S
C286	ECUV1H100DCV	10p	S
C287	ECUV1H100DCV	10p	S
C288	ECUV1H223KBV	0.022	S
C289	ECUV1H271JCV	270p	
C290	ECEALCKS100	10	S
C291	ECUV1H103KBV	0.01	
C292	ECUV1H472KBV	0.0047	
C293	ECEAEU470	47	S
C294	ECUV1C104ZFB	0.1	
C295	ECUV1H101JCV	100p	
C296	ECUV1H272KBV	0.0027	
C298	ECUV1H392KBV	0.0039	
C299	ECUV1C104ZFB	0.1	
C300	ECUV1A224KBV	0.22	
C302	ECUV1H100DCV	10p	S
C304	ECUV1H680JCV	68p	
C305	ECUV1H392KBV	0.0039	
C307	ECEAHKS010	1	S
C308	ECUV1C104KBV	0.1	
C312	ECEAHKS4R7	4.7	S
C313	ECUV1C683KBV	0.068	
C315	ECUV1C104ZFB	0.1	
C316	ECEAHKS4R7	4.7	S
C317	ECUV1H123KBV	0.012	
C318	ECEAJU331	330	S
C319	ECUV1C104ZFB	0.1	
C320	ECUV1H101JCV	100p	
C321	ECEALCKS100	10	S
C322	ECEAHU101	100	S
C324	ERJ3GEYJ224	220K	
C325	ECUV1H332KBV	0.0033	
C326	ECUV1C104ZFB	0.1	
C327	ECUV1H103KBV	0.01	
C328	ECKD2H681KB	680p	S
C329	ECKD2H681KB	680p	S

Ref. No.	Part No.	Part Name & Description	Remarks
C330	ECUV1H332KBV	0.0033	
C332	ECUV1C273KBV	0.027	
C333	ECUV1H333KBV	0.033	s
C334	ECUV1H333KBV	0.033	s
C335	ECUV1C273KBV	0.027	
C336	ECUV1C104ZFV	0.1	
C337	ECEA0JU331	330	s
C338	ECUV1H123KBV	0.012	
C340	ECUV1H391JCV	390p	
C341	ECUV1H100DCV	10p	s
C343	ECQE2E105KZ	1	s
C344	ECUV1H391JCV	390p	
C345	ECUV1H100DCV	10p	s
C347	ECUV1H182KBV	0.0018	
C349	ECUV1A224KBV	0.22	
C350	ECUV1C104KBV	0.1	
C351	ECUV1C104KBV	0.1	
C353	ECUV1H103KBV	0.01	
C354	ECUV1H103KBV	0.01	
C355	ECEA1CKS100	10	s
C357	ECUV1H103KBV	0.01	
C359	ECEA1CKS100	10	s
C360	ECEA1EU470	47	s
C363	ECUV1H103KBV	0.01	
C365	ECUV1C104ZFV	0.1	
C366	ECUV1C104ZFV	0.1	
C372	ECEA1EU101	100	s
C373	ECEA0JK221	220	s
C374	ECUV1C104KBV	0.1	
C375	ECUV1H103KBV	0.01	
C377	ECUV1H100DCV	10p	s
		(RESISTORS)	
J225	ERJ3GEY0R00	0	
J227	ERJ3GEY0R00	0	
J228	ERJ3GEY0R00	0	
J369	ERJ3GEY0R00	0	
J384	ERJ3GEY0R00	0	
L209	ERJ3GEY0R00	0	
L210	ERJ3GEY0R00	0	
L211	ERJ3GEY0R00	0	
L212	ERJ3GEY0R00	0	
L214	ERJ3GEY0R00	0	
L215	ERJ3GEY0R00	0	
L216	ERJ3GEY0R00	0	
L217	ERJ3GEY0R00	0	
L218	ERJ3GEY0R00	0	
L219	ERJ3GEY0R00	0	
L220	ERJ3GEY0R00	0	
L227	ERJ3GEY0R00	0	
L228	ERJ3GEYJ103	0	
L231	ERJ3GEY0R00	0	
L262	ERJ3GEY0R00	0	
L263	ERJ3GEY0R00	0	
L274	ERJ3GEY0R00	0	
R201	ERJ3GEYJ101	100	
R202	ERJ3GEYJ101	100	
R203	ERJ3GEYJ101	100	
R204	ERJ3GEYJ563	56k	
R205	ERJ3GEYJ154	150k	
R206	ERJ3GEYJ472	4.7k	
R207	ERJ3GEYJ683	68k	
R208	ERJ3GEYJ104	100k	
R209	ERJ3GEYJ822	8.2k	
R210	ERJ3GEYJ124	120k	
R212	ERJ3GEYJ224	220k	
R213	ERJ3GEYJ224	220k	
R214	ERJ3GEYJ394	390k	
R216	ERJ3GEYJ183	18k	
R218	ERJ3GEYJ123	12k	
R219	ERJ3GEYJ394	390k	
R220	ERJ3GEYJ134	130k	
R221	ERJ3GEYJ563	56k	
R222	ERJ3GEYJ153	15k	

Ref. No.	Part No.	Part Name & Description	Remarks
R223	ERJ3GEYJ103	10k	
R224	ERJ3GEYJ223	22k	
R225	ERJ3GEYJ223	22k	
R226	ERJ3GEYJ4R7	4.7	
R227	ERJ3GEYJ394	390k	
R228	ERJ3GEYJ223	22k	
R229	ERJ3GEYJ223	22k	
R230	ERJ3GEYJ822	8.2k	
R231	ERJ3GEYJ222	2.2k	
R232	ERJ3GEYJ102	1k	
R233	ERJ3GEYJ103	10k	
R234	ERJ3GEYJ123	12k	
R235	ERJ3GEYJ472	4.7k	
R236	ERJ3GEYJ103	10k	
R237	ERJ3GEYJ103	10k	
R238	ERJ3GEYJ684	680k	
R239	ERJ3GEYJ183	18k	
R240	ERJ3GEYJ4R7	4.7	
R241	ERJ3GEYJ394	390k	
R242	ERJ3GEYJ154	150k	
R243	ERJ3GEYJ124	120k	
R246	ERJ3GEYJ103	10k	
R248	ERJ3GEYJ473	47k	
R249	ERJ3GEYJ473	47k	
R250	ERJ3GEYJ273	27k	
R251	ERJ3GEYJ103	10k	
R253	ERJ3GEYJ103	10k	
R254	ERJ3GEYJ273	27k	
R256	ERJ3GEYJ103	10k	
R257	ERJ3GEYJ103	10k	
R258	ERJ3GEYJ683	68k	
R260	ERJ3GEYJ223	22k	
R261	ERJ3GEYJ152	1.5k	
R262	ERJ3GEYJ821	820	
R263	ERDS2TJ150	15	s
R264	ERJ3GEYJ103	10k	
R266	ERJ3GEYJ222	2.2k	
R267	ERJ3GEYJ563	56k	
R268	ERJ3GEYJ103	10k	
R269	ERJ3GEYJ563	56k	
R270	ERJ3GEYJ683	68k	
R272	ERJ3GEYJ103	10k	
R273	ERJ3GEYJ562	5.6k	
R275	ERJ3GEYJ123	12k	
R276	ERJ3GEYJ183	18k	
R280	ERJ3GEYJ621	620	
R281	ERJ3GEYJ102	1k	
R282	ERJ3GEYJ474	470k	
R283	ERJ3GEYJ103	10k	
R284	ERJ3GEYJ431	430	
R285	ERJ3GEY0R00	0	
R287	ERJ3GEY0R00	0	
R288	ERJ3GEYJ103	10k	
R289	ERJ3GEYJ334	330k	
R290	ERJ3GEYJ101	100	
R291	ERJ3GEYJ102	1k	
R292	ERJ3GEYJ102	1k	
R293	ERJ3GEY0R00	0	
R294	ERDS2TJ561	560	s
R295	ERDS2TJ4R7	4.7	s
R296	ERG2S821	820	
R297	ERJ3GEYJ223	22k	
R298	ERJ3GEYJ104	100k	
R300	ERJ3GEYJ204	200k	
R301	ERJ3GEYJ103	10k	
R303	ERJ3GEYJ392	3.9k	
R305	ERJ3GEYJ105	1M	
R307	ERJ3GEYJ472	4.7k	
R310	ERJ3GEYJ102	1k	
R311	ERJ3GEYJ104	100k	
R312	ERJ3GEYJ103	10k	
R314	ERDS1VJ333	33k	
R315	ERJ3GEYJ154	150k	

Ref. No.	Part No.	Part Name & Description	Remarks
R316	ERJ3GEYJ101	100	
R318	ERJ3GEYJ333	33k	
R319	ERDS2TJ563	56k	s
R321	ERJ3GEYJ154	150k	
R323	ERDS1TJ682	6.8k	s
R324	ERJ3GEYJ273	27k	
R325	ERJ3GEYJ243	24k	
R326	ERJ3GEYJ243	24k	
R327	ERJ3GEYJ822	8.2k	
R330	ERDS1TJ6R8	6.8	s
R333	ERJ3GEYJ331	330	
R334	ERJ3GEYJ561	560	
R335	ERJ3GEYJ563	56k	
R337	ERJ3GEYJ622	6.2k	
R338	ERJ3GEYJ182	1.8k	
R339	ERJ3GEYJ101	100	
R340	ERJ3GEYJ331	330	
R341	ERJ3GEYJ104	100k	
R343	ERJ3GEYJ331	330	
R345	ERJ3GEYJ182	1.8k	
R355	ERJ3GEYJ222	2.2k	
R359	ERJ3GEYJ473	47k	
R364	ERJ3GEYJ104	100k	
		(RELAY)	
RY202	PFSL003Z	RELAY	s △
		(VARISTORS)	
SA201	PQVDDSS301L	VARISTOR (SURGE ABSORBER)	s
SA202	PFRZ001Z	VARISTOR (SURGE ABSORBER)	s △
ZR201	ERZVA7D151	VARISTOR	
		(TRANSFORMERS)	
T201	PFLT8E003	TRANSFORMER	s △
T202	PFLT8E004	TRANSFORMER	s △
		(PHOTO ELECTRIC TRANSDUCERS)	△
PC201	0N3131SKU	PHOTO COUPLER	△
PC202	0N3131SKU	PHOTO COUPLER	
PC203	PQVITLP627	PHOTO COUPLER	s △
PC204	PQVITLP620K	PHOTO COUPLER	s △
PS201	CNA1006N	PHOTO SENSOR	
		(OTHERS)	
F201	PQBA1N10NMAL	FUSE	s
SW201	ESE14A211	PUSH SWITCH	

12.5. OPERATION BOARD PARTS

Ref. No.	Part No.	Part Name & Description	Remarks
PCB3	PFLP1378MZ	OPERATION BOARD ASS'Y (RTL)	
		(IC)	
IC101	MN7D032Z9J	IC	
		(DIODE)	
LED101	PQVDR325CA47	DIODE (SI)	s
		(CONNECTOR)	
CN101	PQJJP11G43Z	CONNECTOR, 11P	
		(LCD)	
CN102	L5DAAF00001	LIQUID CRYSTAL DISPLAY	
		(CAPACITORS)	
C101	ECUV1C104ZV	0.1	
C102	ECUV1H103KBV	0.01	
C103	ECUV1H101JCV	100p	
C104	ECUV1H101JCV	100p	
C105	ECUV1H101JCV	100p	
C106	ECUV1H101JCV	100p	
C110	ECUV1C104ZV	0.1	
C111	ECUV1C104ZV	0.1	
C112	ECEA1CK101	100	s
C113	ECUV1C104ZV	0.1	
C117	ECUV1C104ZV	0.1	
C118	ECEA1CK101	100	s
C119	ECUV1H101JCV	100p	
		(RESISTORS)	
R101	ERJ3GEYJ101	100	
R102	ERJ3GEYJ101	100	

Ref. No.	Part No.	Part Name & Description	Remarks
R103	ERJ3GEYJ101	100	
R104	ERJ3GEYJ101	100	
R105	ERJ3GEYJ101	100	
R106	ERJ3GEYJ101	100	
R107	ERJ3GEYJ471	470	
R108	ERJ3GEYJ222	2.2k	
R109	ERJ3GEYJ183	18k	
R111	ERJ3GEYJ222	2.2k	
R112	ERJ3GEYJ4R7	4.7	
R113	ERJ3GEYJ181	180	
R114	ERJ3GEYJ181	180	
R115	ERJ3GEYJ181	180	
R116	ERJ3GEYJ181	180	
R117	ERJ3GEYJ181	180	
R118	ERJ3GEYJ181	180	
R119	ERJ3GEYJ181	180	
R120	ERJ3GEYJ181	180	
		(SWCTCHS)	
SW101	EVQ11Y05B	SWITCH	
SW102	EVQ11Y05B	SWITCH	
SW103	EVQ11Y05B	SWITCH	
SW104	EVQ11Y05B	SWITCH	
SW105	EVQ11Y05B	SWITCH	
SW106	EVQ11Y05B	SWITCH	
SW107	EVQ11Y05B	SWITCH	
SW108	EVQ11Y05B	SWITCH	
SW109	EVQ11Y05B	SWITCH	
SW110	EVQ11Y05B	SWITCH	
SW111	EVQ11Y05B	SWITCH	
SW112	EVQ11Y05B	SWITCH	
SW113	EVQ11Y05B	SWITCH	
SW114	EVQ11Y05B	SWITCH	
SW115	EVQ11Y05B	SWITCH	
SW116	EVQ11Y05B	SWITCH	
SW117	EVQ11Y05B	SWITCH	
SW118	EVQ11Y05B	SWITCH	
SW119	EVQ11Y05B	SWITCH	
SW120	EVQ11Y05B	SWITCH	
SW121	EVQ11Y05B	SWITCH	
SW122	EVQ11Y05B	SWITCH	
SW123	EVQ11Y05B	SWITCH	
SW124	EVQ11Y05B	SWITCH	
SW125	EVQ11Y05B	SWITCH	
SW126	EVQ11Y05B	SWITCH	
SW127	EVQ11Y05B	SWITCH	
SW128	EVQ11Y05B	SWITCH	
SW129	EVQ11Y05B	SWITCH	
SW130	EVQ11Y05B	SWITCH	
SW131	EVQ11Y05B	SWITCH	
SW132	EVQ11Y05B	SWITCH	
SW133	EVQ11Y05B	SWITCH	
SW134	EVQ11Y05B	SWITCH	
SW135	EVQ11Y05B	SWITCH	
SW136	EVQ11Y05B	SWITCH	
SW137	EVQ11Y05B	SWITCH	

12.6. HIGH VOLTAGE POWER SUPPLY BOARD PARTS

Ref. No.	Part No.	Part Name & Description	Remarks
PCB4	EUKMBN862HA	HIGH VOLTAGE POWER SUPPLY BOARD ASS'Y (RTL)	△
		(IC)	
IC101	MA6742S	IC	
		(TRANSISTORS)	
Q101	2SD1990P	TRANSISTOR (SI)	
Q102	2SB709ARTX	TRANSISTOR (SI)	
Q103	2SB709ARTX	TRANSISTOR (SI)	
Q202	2SD2137A	TRANSISTOR (SI)	
Q204	2SA1413	TRANSISTOR (SI)	
		(DIODES)	

Ref. No.	Part No.	Part Name & Description	Remarks
D102	PQVDS5688G	DIODE(SI)	
D103	PFVDDHM3M20	DIODE(SI)	S
D104	PFVDDHM3M20	DIODE(SI)	S
D110	PFVDERA9102	DIODE(SI)	
D111	MA3J147	DIODE(SI)	
D112	MA3J147	DIODE(SI)	
D201	PQVDS5688G	DIODE(SI)	
D202	PFVDDHM3M20	DIODE(SI)	S
D203	PFVDDHM3M20	DIODE(SI)	S
D205	PQVDS5688G	DIODE(SI)	
ZD202	PQVDRD6.2ESB	DIODE(SI)	
ZD203	PFVDRD200EB	DIODE(SI)	S
		(CONNECTOR)	
CN2	PQJP9G30Y	CONNECTOR, 9PIN	
		(CAPACITORS)	
C101	ECA1VHG470	47	
C102	ECQV1H473KB	0.047	
C103	ECEA50M1	1	
C104	ECEA50M2R2	2.2	
C106	ECQB1H153KB	0.015	
C107	ECKR2H102KB	0.001	
C108	ECKK3A471KB	470P	
C109	ECKK3D102KB	0.001	
C110	ECUV1H103KB	0.01	
C111	ECUV1H102KB	0.001	
C112	ECUV1H102KB	0.001	
C202	ECKK3A471KB	470P	
C203	ECKR1H472KB	0.0047	
C204	ECKK3D221KB	220P	
C206	ECQB1H103JF	0.01	
C207	ECKK3A471KB	470P	
C208	ECQE2103KS	0.01	
C209	ECKK3D102KB	0.001	
C210	ECKZ3A101KB	100P	S
C211	ECKZ3A101KB	100P	S
C212	ECUV1H221JC	220P	
		(RESISTORS)	
R102	ERJ6GEYJ104	100k	
R103	ERJ6ENF7871	7.87k	
R104	ERJ6GEYJ103	10k	
R105	ERJ6ENF1002	10k	S
R106	ERJ6ENF1653	165k	
R107	ERJ6ENF6653	665k	
R108	ERJ6ENF8451	8.45k	
R110	ERJ6ENF1003	100k	
R113	ERDS2TJ102	1k	
R114	PFRGVR25J106	10M	S
R116	ERJ6GEYJ272	2.7k	
R117	ERDS2TJ272	2.7k	
R119	ERJ6ENF7871	7.87k	
R120	ERJ6GEYJ473	47k	
R121	ERJ6GEYJ103	10k	
R122	ERJ6GEYJ103	10k	
R123	ERJ6GEYJ103	10k	
R124	ERJ6GEYJ103	10k	
R125	ERJ6GEYJ103	10k	
R126	ERDS2TJ103	10k	
R127	ERDS2TJ103	10k	
R128	ERDS2TJ152	1.5k	
R129	ERDS2TJ152	1.5k	
R201	ERDS2TJ152	1.5k	
R202	ERJ6ENF1582	15.8k	
R206	PQ4R10XJ102	1k	
R209	PFRGVR25J105	1M	S
R210	ER0S2TKF2492	24.9k	
R211	PFRGR25F1504	1.5M	S
R214	PFRGVR25J105	1M	S
R215	PFRGVR25J105	1M	S
R216	ERDS2TJ333	33k	
R217	PFRGR25F1005	10M	S
R218	ERDS1TJ225	2.2M	
R219	ERDS2TJ473	47k	
R220	ERDS1TJ225	2.2M	

Ref. No.	Part No.	Part Name & Description	Remarks
VR101	ER0S2TKF7871	7.87k	
		(FUSE)	
IP101	PFBAICPN38	FUSE	S
		(PHOTO ELECTRIC TRANSDUCER)	
PC201	PFVISG206S	PHOTO COUPLER	S
		(SWITCH)	
SW101	PFSEDE2LEALB	MICRO SWITCH	△ S
		(TRANSFORMERS)	
T101	MS15BTP20	TRANSFORMER	△
T201	ETB16GKL1	TRANSFORMER	△
		(VARIABLE RESISTOR)	
VR201	EVMAASA00B53	VARIABLE RESISTOR	

12.7. LOW VOLTAGE POWER SUPPLY BOARD PARTS

Ref. No.	Part No.	Part Name & Description	Remarks
PCB5	N0AC2GF00003	LOW VOLTAGE POWER SUPPLY BOARD ASS'Y (RTL)	△ S
		(ICs)	
IC101	PFVIFA5317P	IC	S
IC201	AN1431T	IC	
IC202	PFVIPQ05RD11	IC	S
		(TRANSISTOR)	
Q101	2SK2717	TRANSISTOR(SI)	△
		(DIODES)	
D101	PFVDLT1505	DIODE(SI)	△ S
D102	PFVDLT1505	DIODE(SI)	△ S
D103	PFVDLT1505	DIODE(SI)	△ S
D104	PFVDLT1505	DIODE(SI)	△ S
D105	PFVDEG01C	DIODE(SI)	S
D106	1SS133	DIODE(SI)	
D107	MA4220	DIODE(SI)	
D108	PFVDAU02Z	DIODE(SI)	S
D109	PFVDD1NL20U	DIODE(SI)	S
D201	PFVDSF5LC20U	DIODE(SI)	S
D202	PFVDRK36LFB2	DIODE(SI)	S
		(CONNECTORS)	
CN101	PQJP2D98Z	CONNECTOR, 2 PIN	△ S
CN102	PQJP2D98Z	CONNECTOR, 2 PIN	△ S
CN201	PQJP10G30Y	CONNECTOR, 10 PIN	S
		(FUSE)	
F101	PFBA21500315	FUSE	△ S
F102	PFBA215005	FUSE	△ S
		(COILS)	
L101	PFLES11V0523	COIL	△ S
L102	PFLES11V0523	COIL	△ S
L103	PFLQDR020006	COIL	△ S
		(PHOTO ELECTRIC TRANSDUCERS)	
PC101	0N3171	PHOTO COUPLER	△
PC102	PFVIS21ME6NY	PHOTO COUPLER	△ S
		(COMPONENTS PARTS)	
L104	EXCELD35	COMPONENTS PARTS	
L108	EXCELD35	COMPONENTS PARTS	
L206	EXCELD35	COMPONENTS PARTS	
SCR101	PFXFMT1661SE	COMPONENTS PARTS	△ S
		(TRANSFORMER)	
T101	ETS29AK6P8AC	TRANSFORMER	△
		(VARIABLE RESISTOR)	
VR201	EVNDJAA03B53	VARIABLE RESISTOR	
		(VARISTOR)	
ZNR101	ERZV10D751	VARIATOR	△
		(RESISTORS)	
J210	ERJ3GEYJ0R00	0	
J214	ERJ3GEYJ0R00	0	
R101	ERDS1J105	1M	△
R102	ERDS2J824	820k	
R103	ERDS2J824	820k	
R104	ERG2SJ104	100k	
R105	ERX2SJR22	0.22	

Ref. No.	Part No.	Part Name & Description	Remarks
R106	ERG2SJ470	47	
R108	ERDS2FJ150	15	
R109	ERDS2FJ220	22	
R110	ERDS2J823	82k	
R111	ERDS2J823	82k	
R112	ERDS1FJ121	120	
R113	ERDS2FJ101	100	
R114	ERDS1FJ220	22	
R121	ERJ3GEYJ103	10k	
R122	ERJ3GEYHJ561	560	
R124	ERJ3GEYHJ331	330	
R125	ERJ3GEYJ103	10k	
R126	ERJ3GEYHJ682	6.8k	
R127	ERJ3GEYHJ102	1k	
R128	ERJ3GEYHJ181	180	
R201	ERDS2J470	47	
R202	ERG2FJS152	1.5k	
R203	ERG2FJS152	1.5k	
R207	ERDS2J221	220	
R221	ERJ3GEYF222	2.2k	
R222	ERJ3GEYF222	2.2k	
R223	ERJ3GEYJ101	100	
R224	ERJ3GEYJ273	27k	
R225	ERJ3GEYJ332	3.3k	
		(CAPACITORS)	
C101	ECQU2A224ML	0.22	△
C102	ECQU2A224ML	0.22	△
C103	PFKDE2GA222M	2200	△ s
C104	PFKDE2GA222M	2200	△ s
C106	EEUEB2W560U	56	
C108	ECKD3A102KBP	1000P	
C109	PFCEA35A47M	47	s
C110	PFKD12EGA222	2200	△ s
C111	ECQU2A104ML	0.1	△
C112	ECQB1H104KF	0.1	
C119	ECKD3A470KBP	47P	
C121	ECUV1H472KBV	0.0047	
C122	ECUV1A224KBV	0.22	
C123	ECUV1H821KBV	820P	
C124	ECUV1E104KBV	0.1	
C201	PFCEA35F1000	1000	s
C202	ECKD3A102KBP	0.001	
C203	PFCEA35F471	470	s
C204	PFCEA35A47M	47	s
C205	PFCEA50A01M	0.1	s
C206	ECKD3A102KBP	0.001	
C210	ECUV1E104KBV	0.1	
C222	ECUV1H104KBX	0.1	

12.8. MOTOR DRIVE BOARD PARTS

Ref. No.	Part No.	Part Name & Description	Remarks
PCB6	PFLP1377MZ-B	MOTOR DRIVE BOARD ASS'Y (RTL)	
		(IC)	
IC1	PFVIMT200303	IC	
		(TRANSISTOR)	
Q1	PQVTDTC123JU	TRANSISTOR (SI)	
		(CONNECTORS)	
CN1	PQJP14G30Y	CONNECTOR, 14P	s
CN2	PQJP4G30Z	CONNECTOR, 4P	
		(CAPACITORS)	
C1	ECUV1C104KBV	0.1	s
C2	PFCA1HYK331M	330P	
C3	ECUV1H104ZFBV	0.1	s
C4	ECEA1CK101	100	s
C5	ECUV1C104KBV	0.1	s
C6	ECUV1C104KBV	0.1	s
C7	ECUV1H332KBV	0.0033	
C8	ECUV1C104KBV	0.1	s
		(RESISTORS)	
R1	ERJ3GEYJ331	330	
R2	ERX2SZGR47	0.47	

Ref. No.	Part No.	Part Name & Description	Remarks
R3	ERJ3GEYJ221	220	
R4	ERX2SZGR47	0.47	
R5	ERJ3GEYJ183	18k	
R7	ERJ3GEYJ221	220	
R8	ERJ3GEYJ333	33k	
		(FUSE RESISTOR)	
F1	PFRB0032315T	FUSE RESISTOR	
		(PHOTO ELECTRIC TRANSDUCERS)	
PS1	CNA1006N	PHOTO SENSOR	
		(OTHER)	
HSINK	PFMY1001Z	HEAT SINK	

12.9. SENSOR BOARD PARTS

Ref. No.	Part No.	Part Name & Description	Remarks
PCB7	PFLP1377MZ-C	SENSOR BOARD ASS'Y (RTL)	
		(CONNECTORS)	
CN50	PQJP03A21Z	CONNECTOR, 3P	
CN51	PQJP5G43Y	CONNECTOR, 5P	s
		(CAPACITOR)	
C51	ECUV1H271KBV	270p	
		(PHOTO ELECTRIC TRANSDUCERS)	
PS50	PFVIRM574SL	PHOTO SENSOR	

12.10. VARISTOR BOARD PARTS

Ref. No.	Part No.	Part Name & Description	Remarks
PCB8	PFLP1377MZ-D	VARISTOR BOARD ASS'Y (RTL)	
		(VARISTOR)	
ZNR60	PFRV271NS05K	VARISTOR	

12.11. ADF RELAY BOARD PARTS

Ref. No.	Part No.	Part Name & Description	Remarks
PCB9	PFLP1379MZ-A	ADF RELAY BOARD ASS'Y (RTL)	
		(CONNECTORS)	
CN500	PQJP5G30Y	CONNECTOR, 5P	s
CN501	K1KA11A00032	CONNECTOR, 11P	
CN502	PQJP3G30Z	CONNECTOR, 3P	s
		(SWITCHES)	
SW500	PFSH1A003Z	SWITCH	s
SW501	PFSH1A008Z	SWITCH	s
		(PHOTO ELECTRIC TRANSDUCER)	
PS500	CNA1006N	PHOTO SENSOR	

12.12. PF SENSOR BOARD PARTS

Ref. No.	Part No.	Part Name & Description	Remarks
PCB10	PFLP1379MZ-B	PF SENSOR BOARD ASS'Y (RTL)	
		(CONNECTORS)	
CN503	PQJP3G30Z	CONNECTOR, 3P	s
		(PHOTO ELECTRIC TRANSDUCER)	
PS501	PQVIPS4506	PHOTO SENSOR	s

12.13. CIS RELAY BOARD PARTS

Ref. No.	Part No.	Part Name & Description	Remarks
PCB11	PFLP1379MZ-C	CIS RELAY BOARD ASS'Y (RTL)	
		(CAPACITORS)	
C501	ECUV1H151JCV	150p	
C502	ECUV1H151JCV	150p	
		(CONNECTORS)	
CN504	PQJP4G30Y	CONNECTOR, 4P	s
CN505	PQJP10G30Y	CONNECTOR, 10P	s
CN506	K1MN03B00016	CONNECTOR, 3P	
CN507	K1MN10B00082	CONNECTOR, 10P	
		(PHOTO ELECTRIC TRANSDUCER)	

Ref. No.	Part No.	Part Name & Description	Remarks
P8502	PQVIPS4506	PHOTO SENSOR (RESISTORS)	S
R501	ERJ3GEY0R00	0	
R502	ERJ3GEY0R00	0	

12.14. CIS SENSOR BOARD PARTS

Ref. No.	Part No.	Part Name & Description	Remarks
PCB12	PFLP1379MZ-D	CIS SENSOR BOARD ASS'Y(RTL) (CONNECTORS)	
CN508	K1MN03B00016	CONNECTOR, 3P (PHOTO ELECTRIC TRANSDUCER)	
P8503	PQVIPS4506	PHOTO SENSOR	S

12.15. SCAN MOTOR DRIVE BOARD PARTS

Ref. No.	Part No.	Part Name & Description	Remarks
PCB13	PFLP1379MZ-E	SCAN MOTOR DRIVER BOARD ASS'Y(RTL) (IC)	
IC500	PFVIT2003APS	IC (DIODE)	S
D500	MA7160	DIODE (CONNECTORS)	
CN509	PQJP6G30Y	CONNECTOR, 6P	S
CN510	PQJP5G30Y	CONNECTOR, 5P	S

12.16. FIXTURES AND TOOLS

Ref. No.	Part No.	Part Name & Description	Remarks
EC1	PQZZ9K4Z	EXTENSION CORD, 9P	
EC2	PFZZ10K1Z	EXTENSION CORD, 10P	
EC3	PQZZ28F1Z	EXTENSION CORD, 28P	
EC4	PFZZ14K3Z	EXTENSION CORD, 14P	
EC5	PFZZ11K12Z	EXTENSION CORD, 11P	
EC6	PQZZ3K5Z	EXTENSION CORD, 3P	
EC7	PQZZ2K12Z	EXTENSION CORD, 2P	
EC8	PFZZ5K13Z	EXTENSION CORD, 5P	
EC9	PQZZ5K6Z	EXTENSION CORD, 5P	
EC10	PQZZ8K18Z	EXTENSION CORD, 8P	
EC11	PQZZ4K5Z	EXTENSION CORD, 4P	
EC12	PQZZ4K5Z	EXTENSION CORD, 4P	
EC13	PQZZ6K7Z	EXTENSION CORD, 6P	
	KM79811245C0	BASIC FACSIMILE TECHNIQUE (for training service technicians)	

Note:

Tools and Extension Cords are useful for servicing.
(They make servicing easy.)