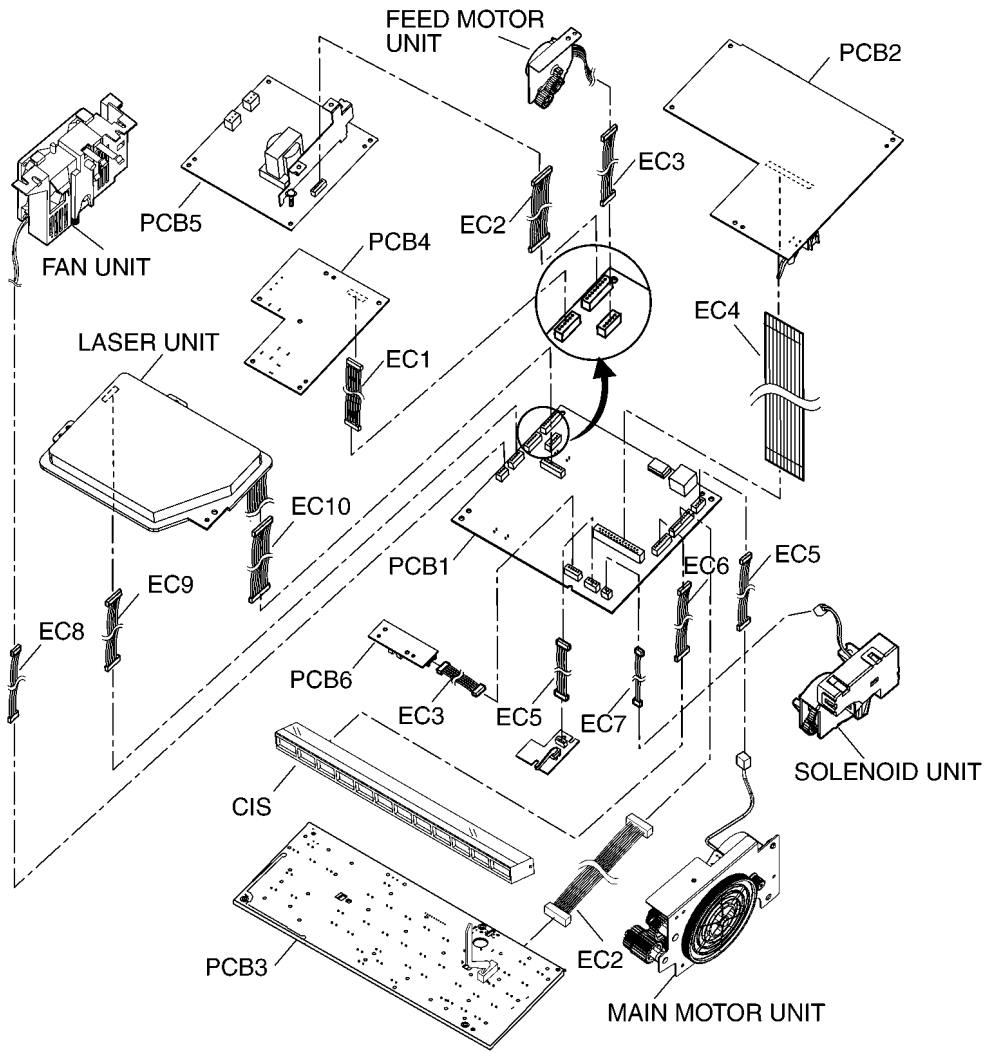
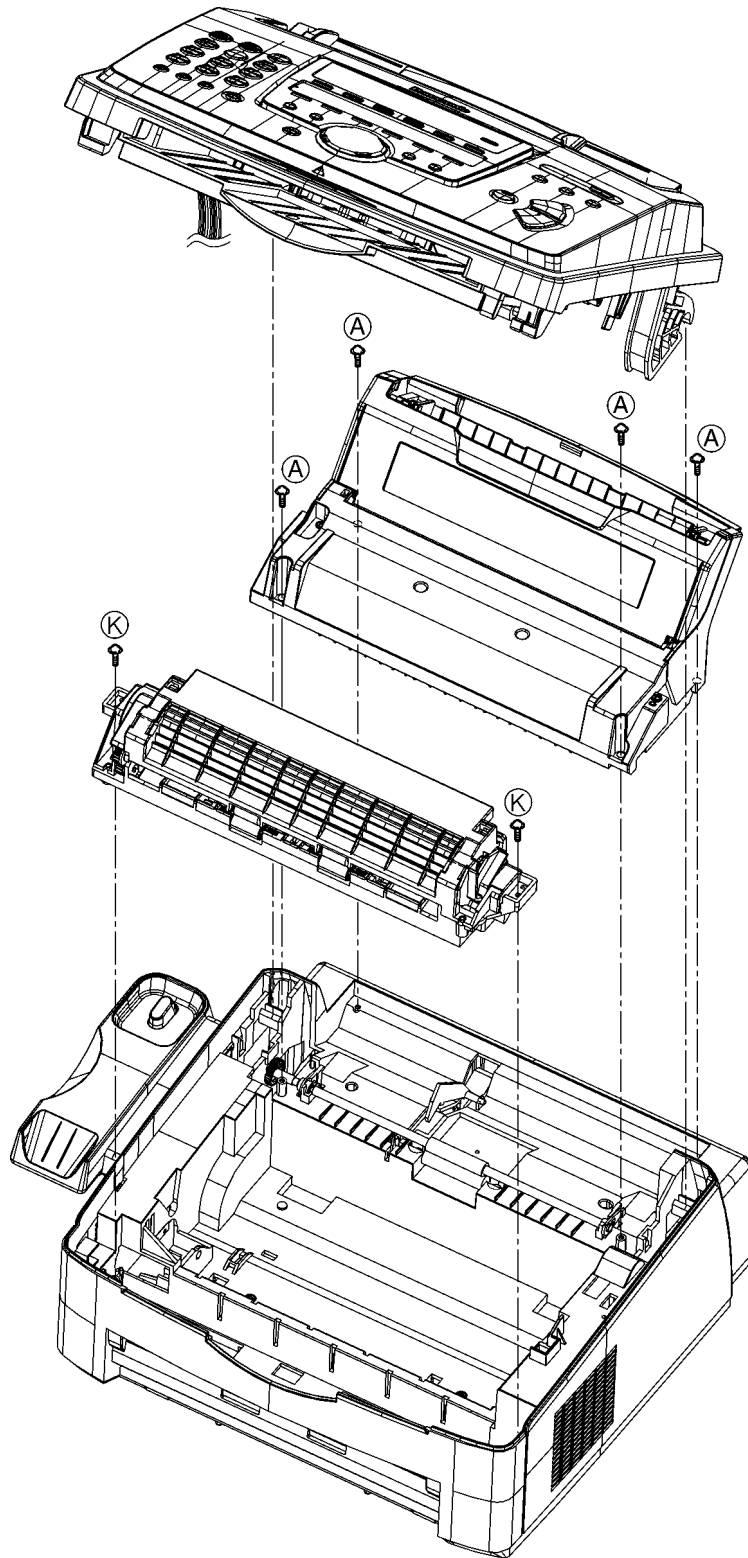


# 9 FIXTURES AND TOOLS

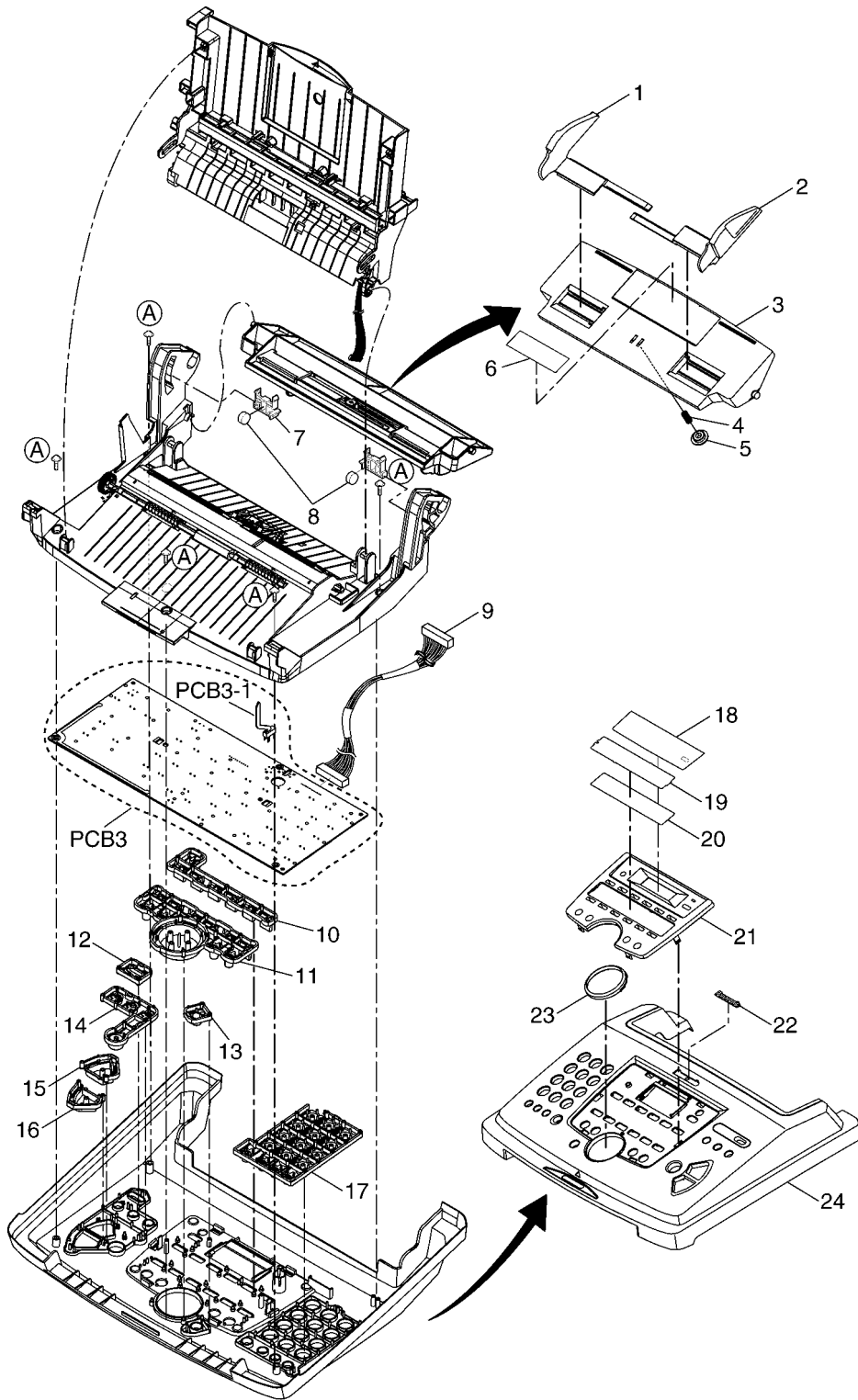


# 10 CABINET, MECHANICAL AND ELECTRICAL PARTS LOCATION

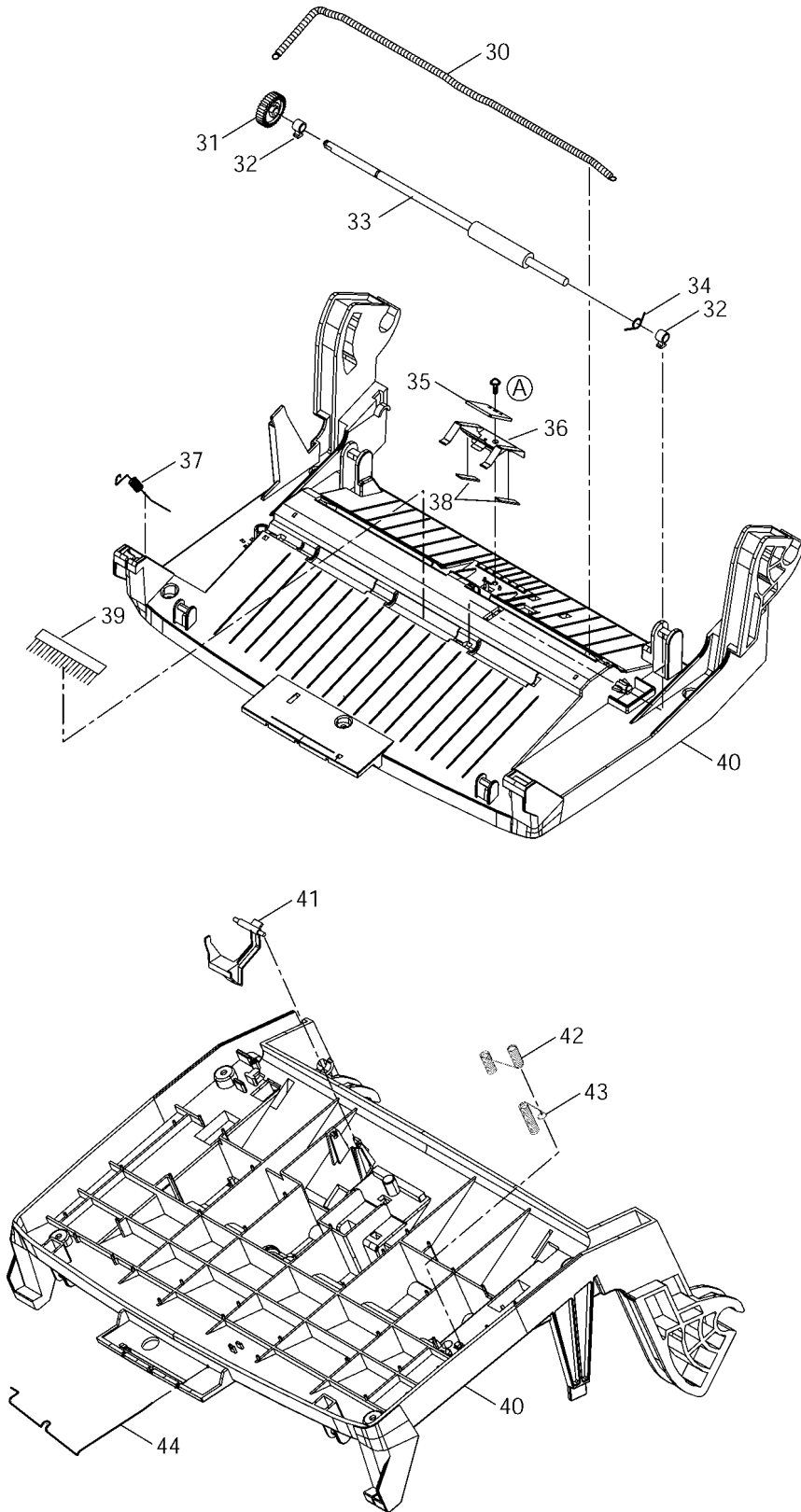
## 10.1. GENERAL SECTION



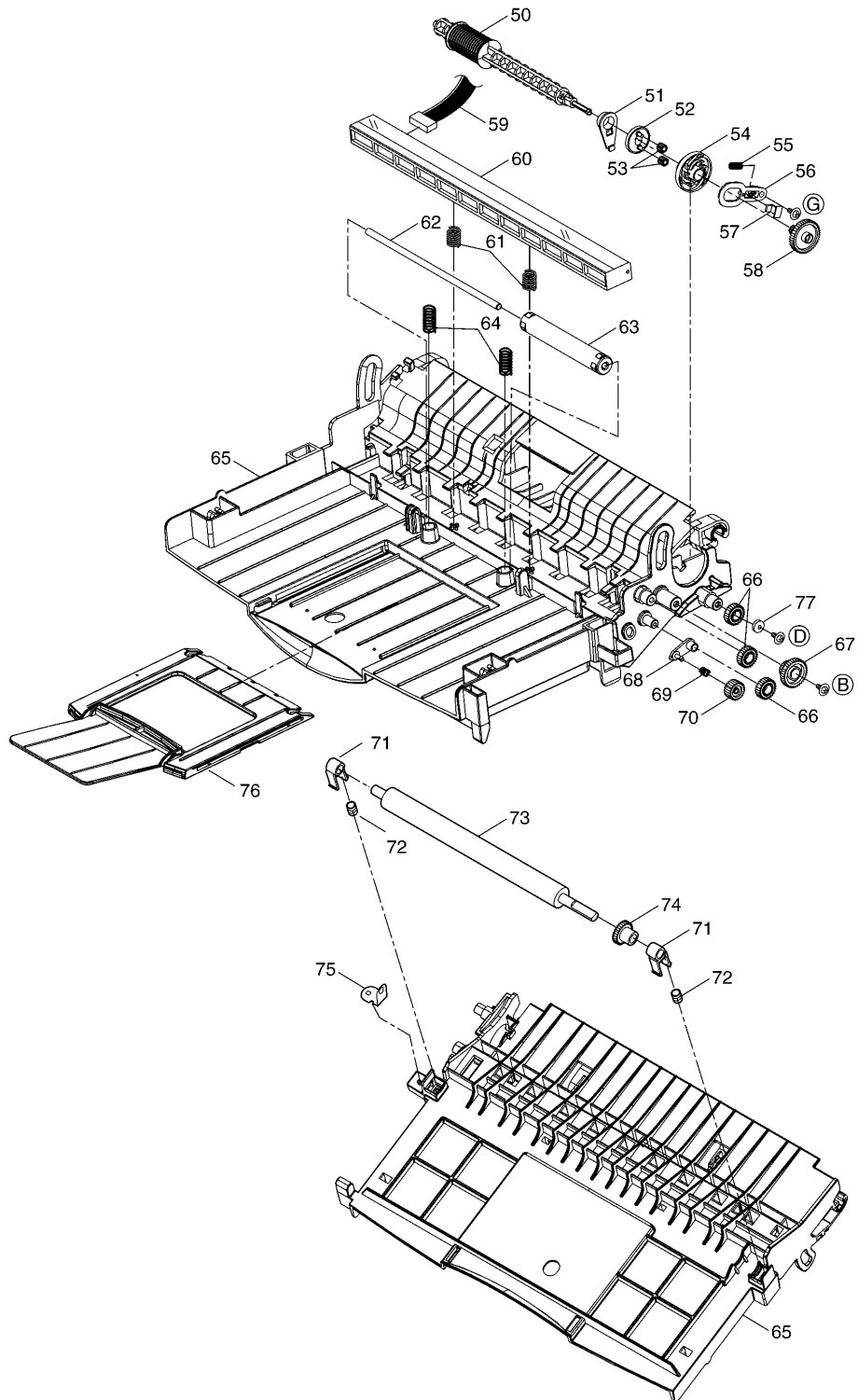
## 10.2. OPERATION COVER SECTION (1)



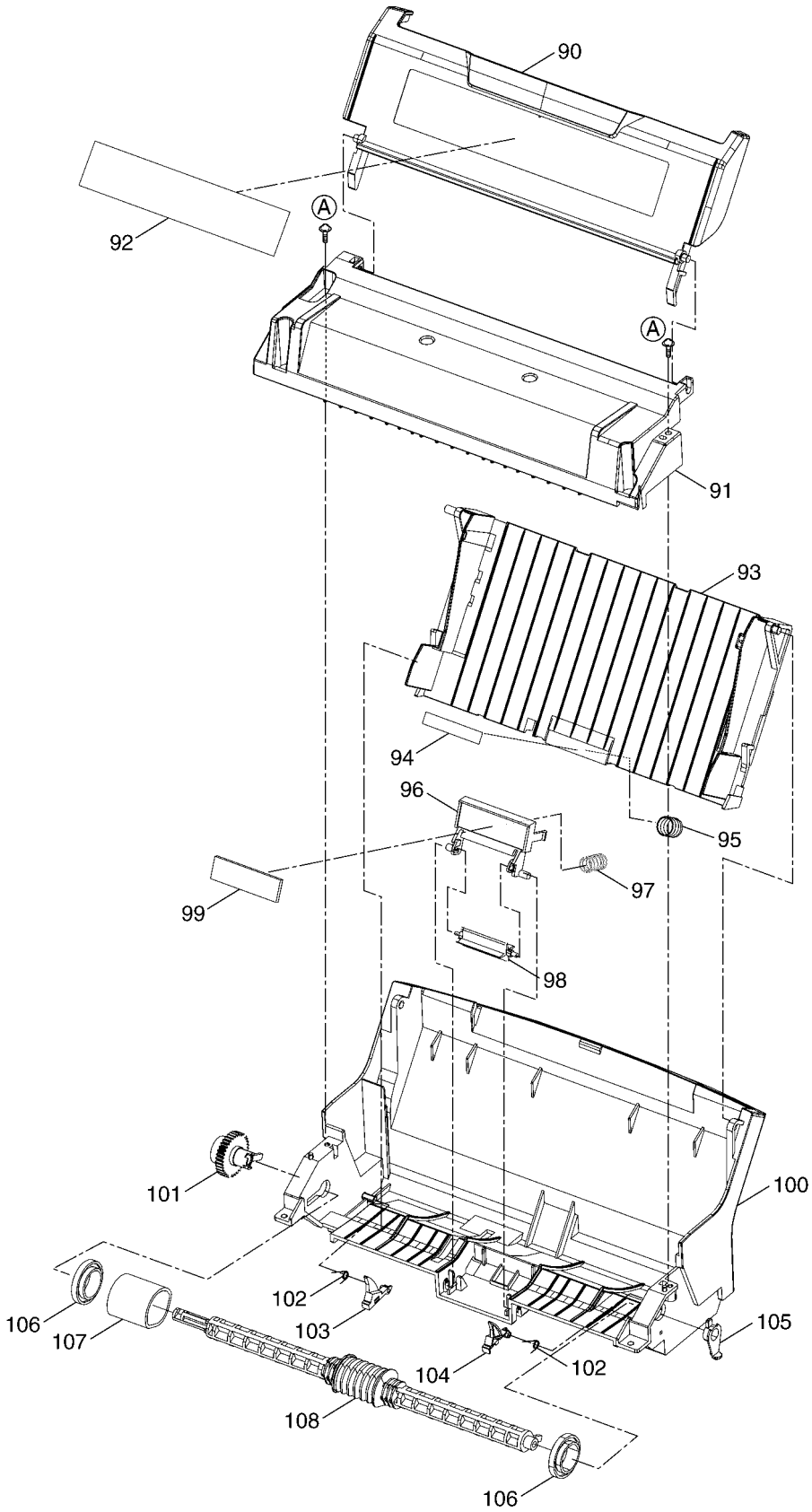
### 10.3. OPERATION COVER SECTION (2)



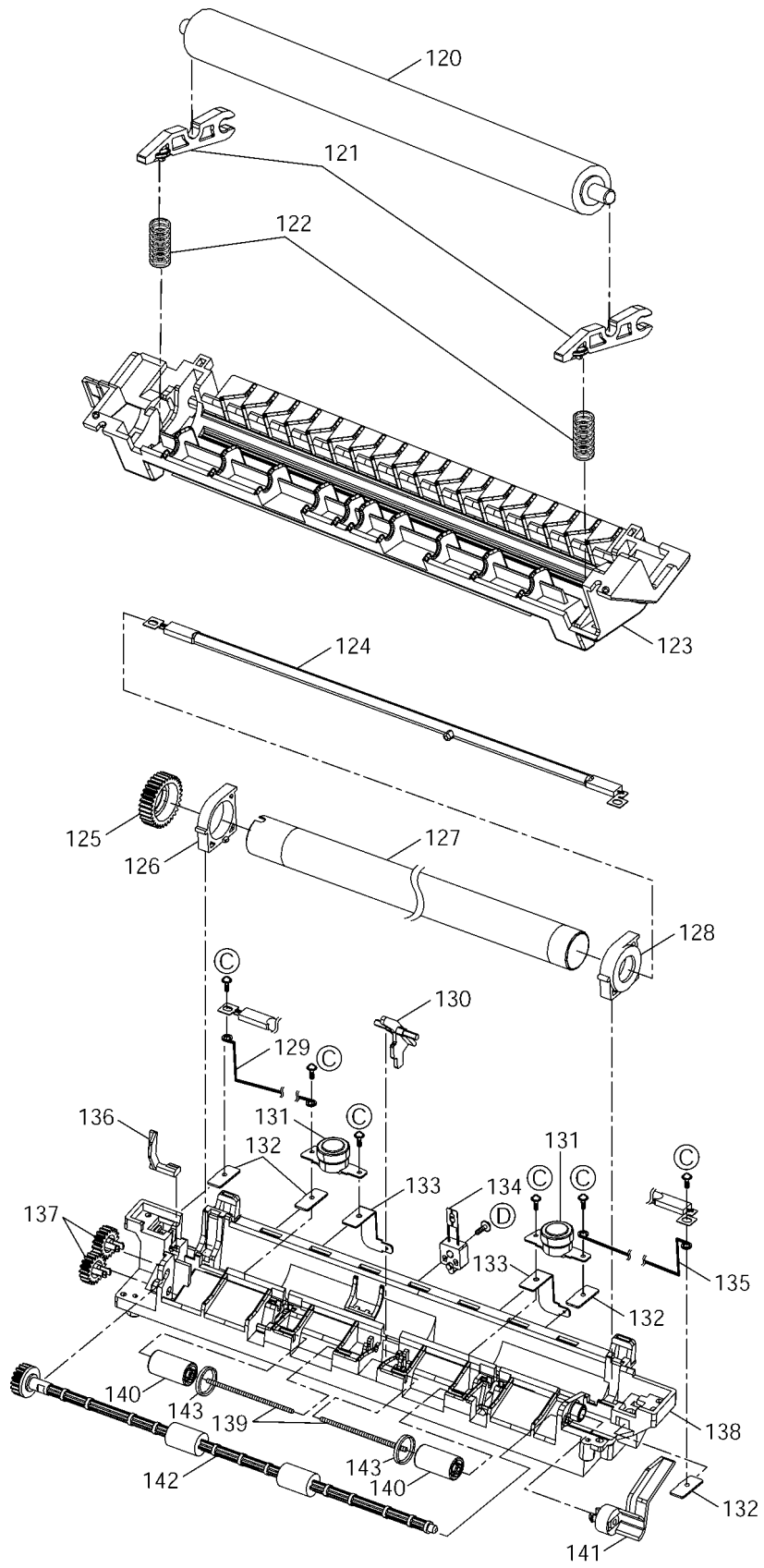
### 10.4. OPERATION COVER SECTION (3)



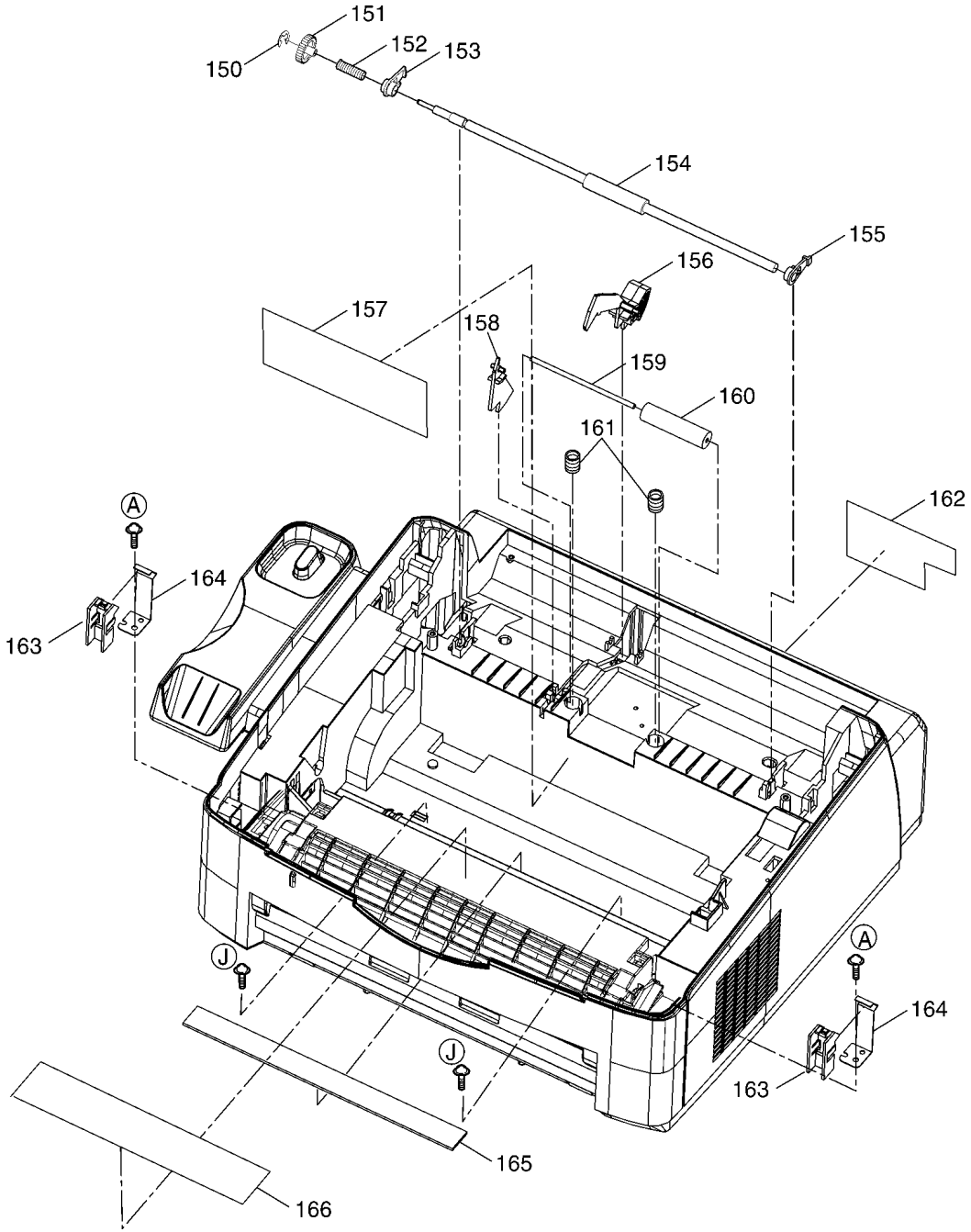
# 10.5. PICK UP SECTION



### 10.6. FUSER SECTION

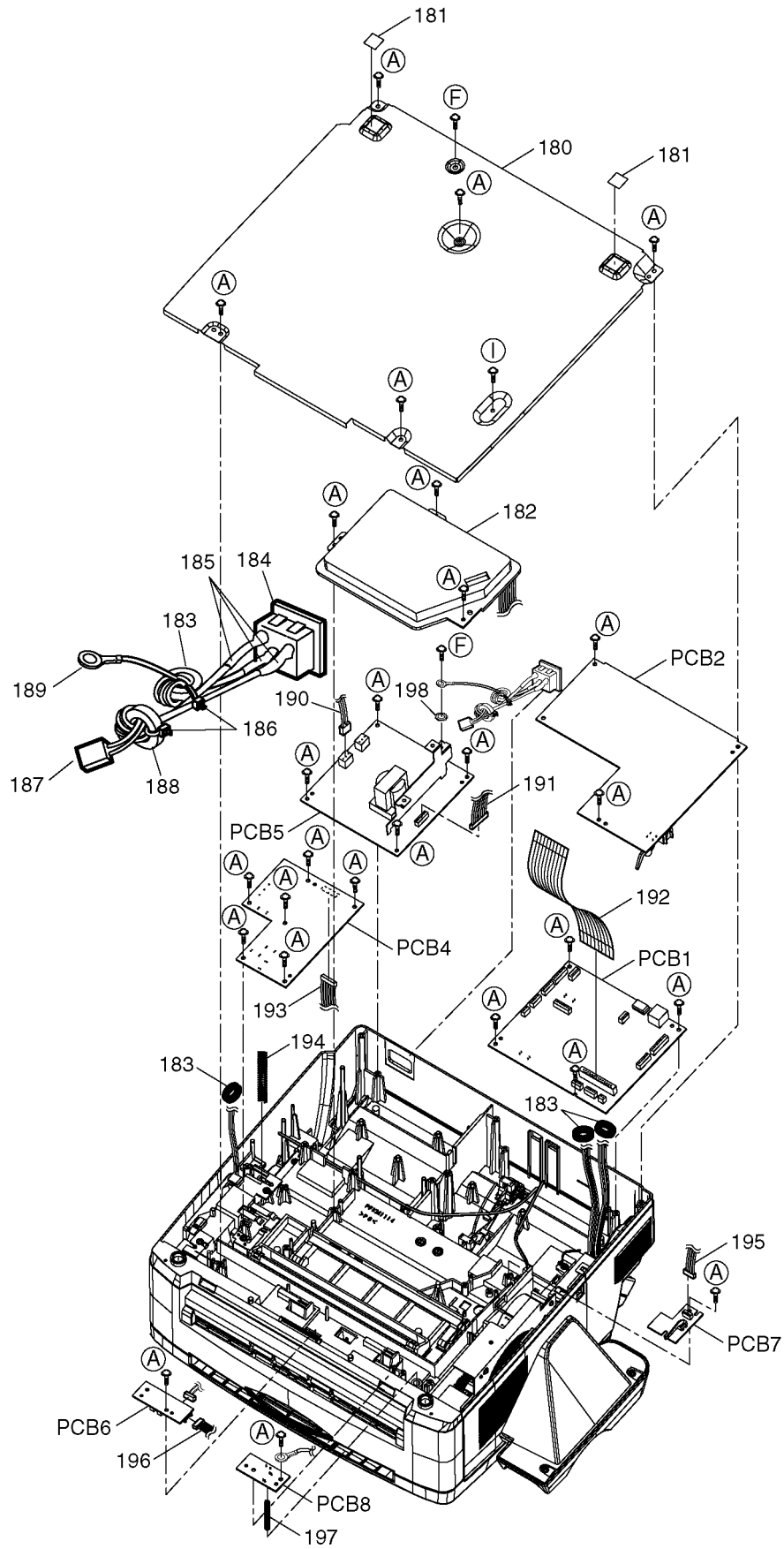


# 10.7. UPPER MAIN CABINET SECTION

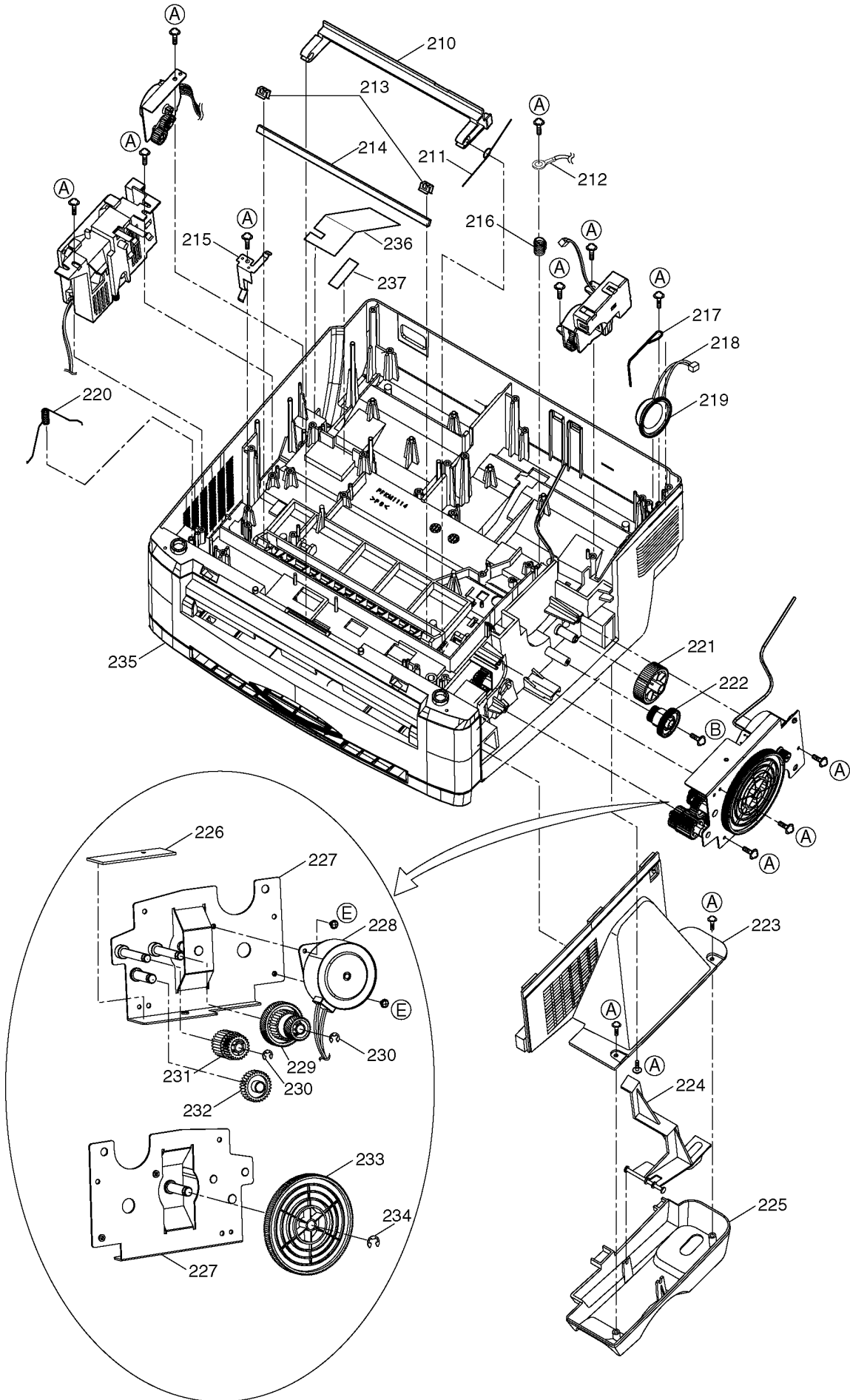




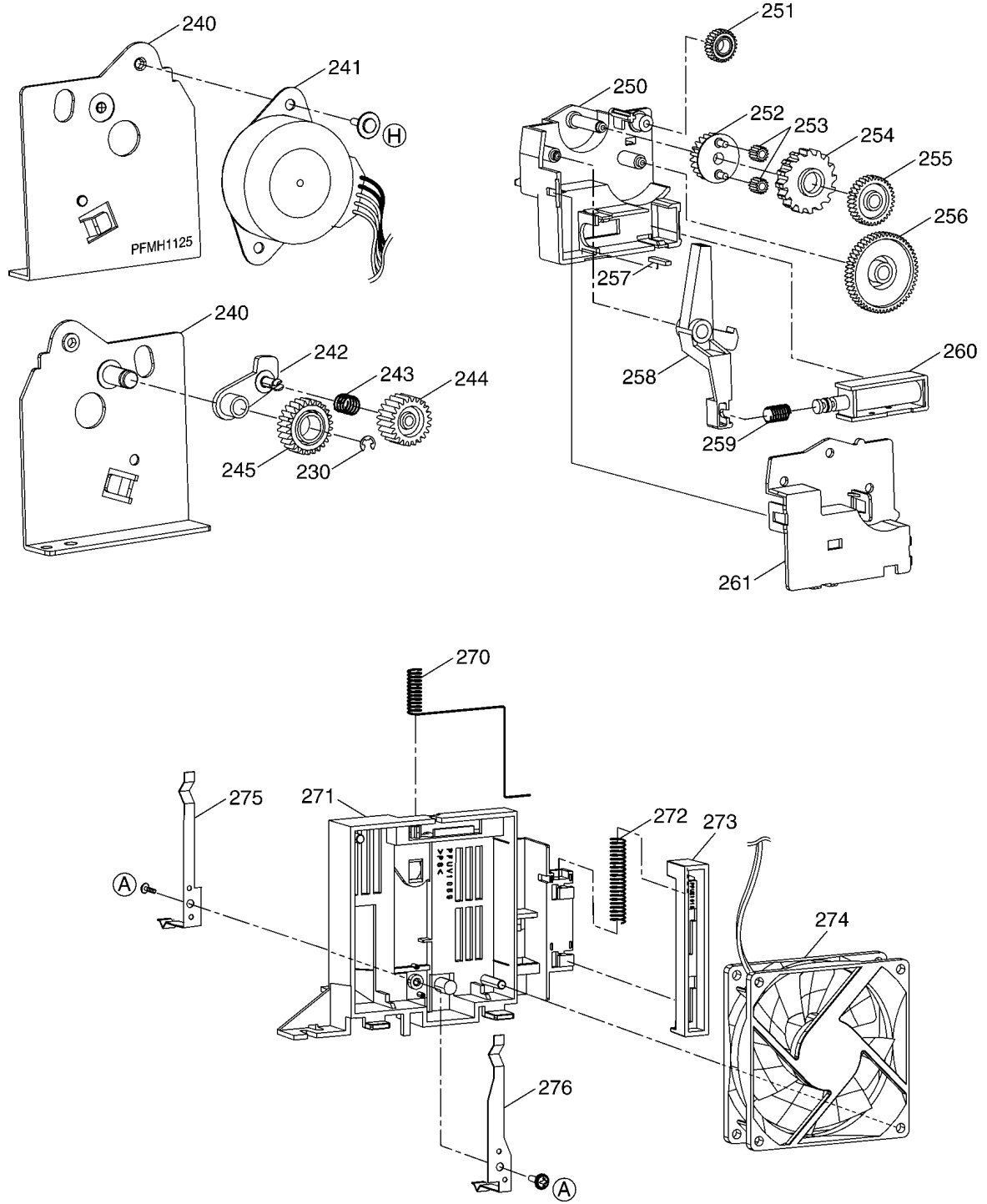
### 10.8. LOWER MAIN CABINET SECTION (1)



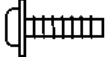


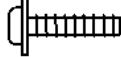


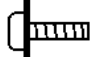


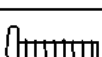
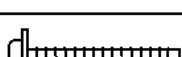
### 10.9. LOWER MAIN CABINET SECTION (2)



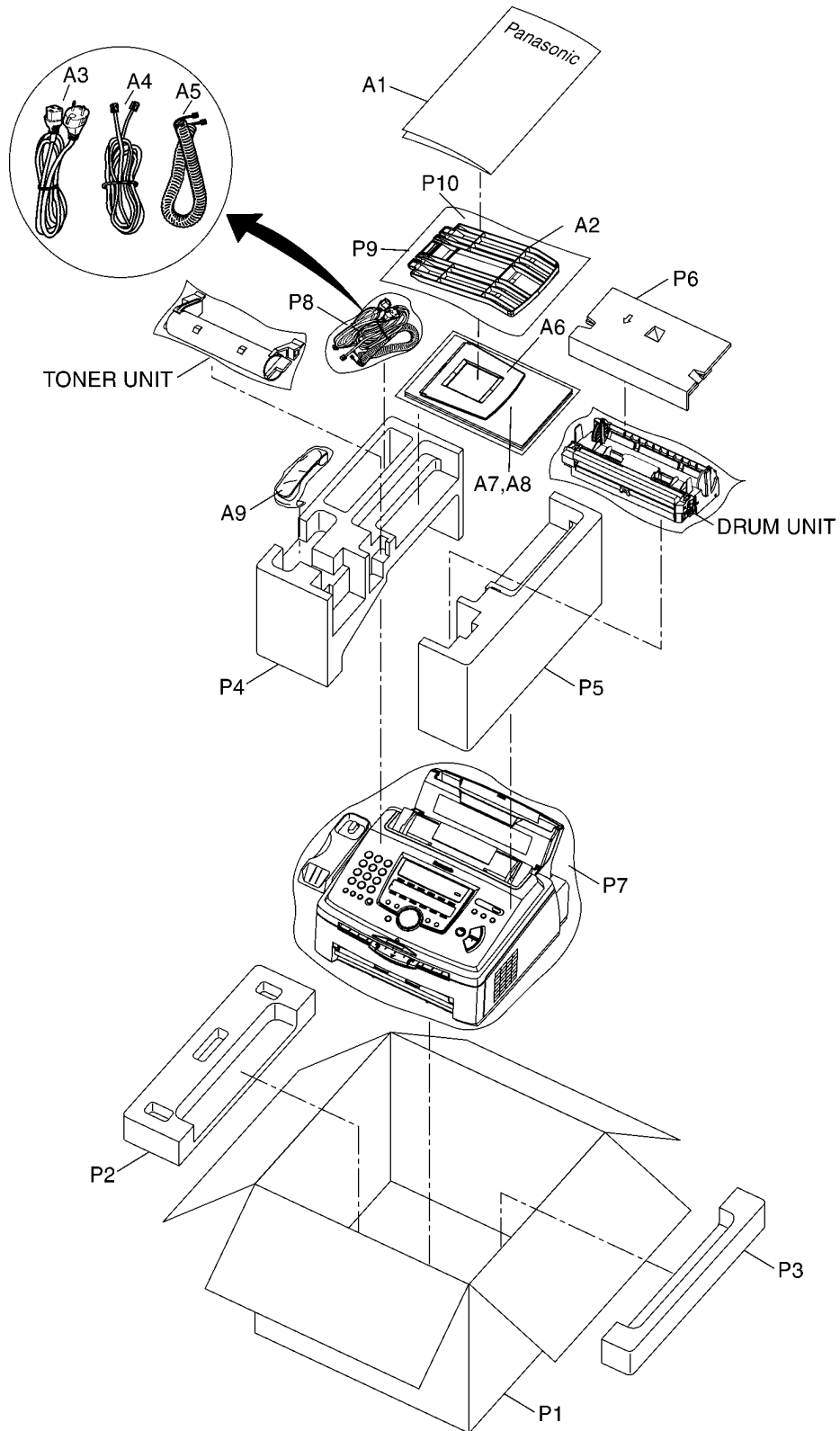
### 10.10. LOWER CABINET SECTION (3)



## 10.11. ACTUAL SIZE OF SCREWS AND WASHER

	Parts No.	Illustration
Ⓐ	XTW3+S10P	
Ⓑ	XTW3+W10P	
Ⓒ	XYC3+FF8C	
Ⓓ	XTW3+S12P	
Ⓔ	XTW3+5LFZ	
Ⓕ	XSB4+6	
Ⓖ	XTW4+W8P	
Ⓗ	XYN3+C6	
Ⓘ	XTW3+6L	
Ⓙ	XTB3+10G	
Ⓚ	XTW3+S20P	

# 11 ACCESSORIES AND PACKING MATERIALS



# 12 REPLACEMENT PARTS LIST

RTL (Retention Time Limited)

Notes:

- The marking (RTL) indicates that the Retention Time is limited for this item.

After the discontinuation of this assembly in production, the item will continue to be available for a specific period of time. The retention period of availability is dependent on the type of assembly, and in accordance with the laws governing parts and product retention.

After the end of this period, the assembly will no longer be available.

- Important safety notice

Components identified by  $\Delta$  mark have special characteristics important for safety. When replacing any of these components, use only manufacture's specified parts.

- The S mark means the part is one of some identical parts. For that reason, it may be different from the installed part.

- ISO code (Example : ABS-HB) of the remarks column shows quality of the material and a flame resisting grade about plastics.

- RESISTORS & CAPACITORS

Unless otherwise specified;

All resistors are in ohms ( $\Omega$ ) k=1000 $\Omega$ , M=1000k $\Omega$

All capacitors are in MICRO FARADS ( $\mu$ F) P= $\mu$ F

\*Type & Wattage of Resistor

Type

ERC:Solid ERD:Carbon PQRD:Carbon	ERX:Metal Film ERG:Metal Oxide ER0:Metal Film	PQ4R:Carbon ERS:Fusible Resistor ERF:Cement Resistor
--	---	--

Wattege

10,16:1/8W	14,25:1/4W	12:1/2W	1:1W	2:2W	3:3W
------------	------------	---------	------	------	------

\*Type & Voltage of Capacitor

Type

ECFD:Semi-Conductor ECQS:Styrol PQCUV:Chip ECQMS:Mica	ECCD,ECKD,ECBT,PQCBC: Ceramic ECQE,ECQV,ECQG: Polyester ECEA,ECSZ: Electlytic ECQP: Polypropylene
--	--

Voltage

ECQ Type	ECQG ECQV Type	ECSZ Type	Others		
1H:50V 2A:100V 2E:250V 2H:500V	05:50V 1:100V 2:200V	0F:3.15V 1A:10V 1V:35V 0J:6.3V	0J :6.3V 1A :10V 1C :16V 1E,25:25V	1V :35V 50,1H:50V 1J :63V 2A :100V	

## 12.1. CABINET AND ELECTRICAL PARTS

### 12.1.1. OPERATION COVER SECTION (1)

Ref. No.	Part No.	Part Name & Description	Remarks
1	PFKR1029Z1	GUIDE, DOCUMENT L	ABS-HB
2	PFKR1030Z1	GUIDE, DOCUMENT R	ABS-HB
3	PFKE1030X1	GUIDE, DOCUMENT	PS-HB
4	PFUS1222Z	COIL SPRING, SLIDER	
5	PFDG1015Y	GEAR, SLIDER	
6	PFQT2112Z	LABEL, FACE DOWN	
7	PFME1001Z	SPACER, DUMPER	
8	PFHG1094Z	RUBBER, DUMPER	
9	PFJS08P33Z	CONNECTOR, 8P	

Ref. No.	Part No.	Part Name & Description	Remarks
10	PFBX1192Z1	PUSH BUTTON,DERC	ABS-HB
11	PFBX1191Z1	PUSH BUTTON,NAVI	ABS-HB
12	PFBC1100Z1	PUSH BUTTON,AUTO ANSWER	ABS-HB
13	PFBC1098Z1	PUSH BUTTON,MENU	ABS-HB
14	PFBX1193Z1	PUSH BUTTON,STP	ABS-HB
15	PFBC1101Z1	PUSH BUTTON,COPY START	ABS-HB
16	PFBC1099Z1	PUSH BUTTON,START	ABS-HB
17	PFBX1190Z1	PUSH BUTTON,DIAL	ABS-HB
18	PFGP1234W1	PANEL,LCD	
19	PFV1015Z	COVER,TEL CARD	
20	PFV1015Z	CARD,TEL NO	
21	PFV1015Z	GRILL,SUB	PS-HB
22	PFV1015Z	BADGE	
23	PFV1015Z	RING,NAVI	ABS-HB
24	PFV1015Z	GRILLE,OPERATION	PS-HB

### 12.1.2. OPERATION COVER SECTION (2)

Ref. No.	Part No.	Part Name & Description	Remarks
30	PFUS1444Z	SPRING,ERATH DOC.A	
31	PFV1015Z	GEAR,DOC.FEED ROLLER	POM
32	PFV1015Z	SPACER,ROLLER	POM
33	PFV1015Z	ROLLER	
34	PFV1015Z	SPRING	
35	PFV1015Z	RUBBER,SEPARATION	
36	PFV1015Z	LEAF SPRING	
37	PFV1015Z	SPRING,EARTH OP B	
38	PFV1015Z	COVER,SHEET	
39	PFV1015Z	COVER,DISCHARGE BRUSH	
40	PFV1015Z	COVER,OPERATION PANEL	PS-HB
41	PFV1015Z	LEVER,DOC,DETECTION	POM
42	PFV1015Z	SPRING,EARTH DOCUMENT B	
43	PFV1015Z	SPRING,EARTH DOC ROLLER	
44	PFV1015Z	SPRING,EARTH OP A	

### 12.1.3. OPERATION COVER SECTION (3)

Ref. No.	Part No.	Part Name & Description	Remarks
50	PFV1015Z	ROLLER,SEPARATION	POM
51	PFV1015Z	SPACER,SEPARATION ROLLER	POM
52	PFV1015Z	ARM	POM
53	PFV1015Z	GEAR	
54	PFV1015Z	GEAR	POM
55	PFV1015Z	COIL SPRING ,LOCK ARM	
56	PFV1015Z	ARM,LOCK	POM
57	PFV1015Z	SPACER,LOCK ARM	POM
58	PFV1015Z	GEAR,SEPARATION	POM
59	PFV1015Z	CONNECTOR, 7P	
60	N2GZBE000006	CIS (CONTACT IMAGE SENSOR)	
61	PFV1015Z	COIL SPRING,CIS	
62	PFV1015Z	SHAFT,SUPPORT ROLLER	
63	PFV1015Z	ROLLER ,DOC.SUPPORT	POM
64	PFV1015Z	COIL SPRING,SUPPOR ROLLER	
65	PFV1015Z	GUIDE,MIDDLE	PS-HB
66	PFV1015Z	GEAR	POM
67	PFV1015Z	GEAR	POM
68	PFV1015Z	ARM	
69	PFV1015Z	TORSION SPRING	
70	PFV1015Z	GEAR	POM
71	PFV1015Z	SPACER,TRANSFER ROLLER	
72	PFV1015Z	COIL SPRING	
73	PFV1015Z	ROLLER,TRANSFER	
74	PFV1015Z	GEAR	POM
75	PFV1015Z	METAL PARTS	
76	PFV1015Z	TRAY,DOCUMENT	
77	PFV1015Z	SPACER	

### 12.1.4. PICK UP SECTION

Ref. No.	Part No.	Part Name & Description	Remarks
90	PFKE1029Y1	TRAY,PICK UP ROLLER	PS-HB
91	PFKV1075Z1	COVER,TRAY	PS-HB
92	PFQT2097W	LABEL,PAPER SET	
93	PFKS1084W1	TRAY ,LIFT PAPER	PS-HB
94	PFHG1154Z	RUBBER,LIFT PLATE	
95	PFUS1424Z	SPRING,PLATE LIFT	
96	PFHR1370Z	CASE,SEPARATION PAPER	ABS-HB
97	PFUS1425Z	SPRING,PAPER SEPARATION	
98	PFHR1371Z	SHEET,PAPER	POM
99	PFHG1155Z	RUBBER,SEPARATION PAPER	
100	PFKE1028X1	TRAY,BOTTOM	PS-HB
101	PFDG1300Z	GEAR,PICK UP PAPER	POM
102	PFUS1423Z	SPRING,LIFT LOCK	
103	PFHR1368Z	LEVER,LOCK LIFT L	POM
104	PFHR1369Z	LEVER,LOCK LIFT R	POM
105	PFDJ1038Z	SPACER,PICK UP PAPER	POM
106	PFDR1018Z	ROLLER,PICK UP GUIDE	POM
107	PFDN1048Z	ROLLER,PICK UP	
108	PFDR1041Z	ROLLE,PICK UP PAPER	ABS-HB

### 12.1.5. FUSER SECTION

Ref. No.	Part No.	Part Name & Description	Remarks
120	PFDS1014Z	ROLLER,PRESSURE PFA	
121	PFDJ1066Y	SPACER,PRESSURE ROLLER	
122	PFUS1426Z	COIL SPRING	
123	PFUA1044Z	CHASSIS,FUSER	PBT+ABS
124	A4DP7K000001	HEATER	
125	PFDG1301Z	GEAR,HEAT ROLLER	
126	PFDJ1065Z	SPACER,HEAT ROLLER A	
127	PFDS1011Y	ROLLER,HEAT	
128	PFDJ1064Z	SPACER,HEAT ROLLER A	
129	PFJT1023Z	TERMINAL PLATE,WIRE B	
130	PFDE1207Z	LEVER,EXIT SENSOR	
131	PFTA1001Z	THERMOSTAT,FUSER	△
132	PFMH1085Z	METAL PARTS,HEATER	
133	PFJT1021Z	TERMINAL PLATE,FUSER	
134	PFRT003	SENSOR	S
135	PFJT1022Z	TERMINAL PLATE,WIRE A	
136	PFHR1408Z	LEVER	
137	PFDG1302Z	GEAR,EJECT IDLER	POM
138	PFUA1043X	CHASSIS,FUSER	PBT+ABS
139	PFUS1435Z	SPRING,SUPPORT EJECT	
140	PFDR1043Z	ROLLER,SUPPORT EJECT	POM
141	PFHR1372Y	LEVER	ABS
142	PFDR1042X	ROLLER,EJECT	POM
143	PFHG1187Z	RUBBER,SUPPORT EJECT	

### 12.1.6. UPPER MAIN CABINET SECTION

Ref. No.	Part No.	Part Name & Description	Remarks
150	XUC2FY	RETAINING RING	
151	PFDG1201Z	GEAR,FEED ROLLER	POM
152	PFUS1325Z	SPRING	
153	PFDJ1067Z	SPACER,FEED ROLLER	POM
154	PFDN1065Z	ROLLER,FEED	
155	PFDJ1044Z	SPACER	POM
156	PFDE1203Z	LEVER	ABS
157	PFQT2076W	INDICATION PLATE-LABEL	
158	PFDE1204W	LEVER	POM
159	PFDF1097Z	SHAFT	
160	PQDR9685Y	ROLLER	POM
161	PFUS1275Z	COIL SPRING	
162	PFGT2266Z-M	NAME PLATE	
163	PFUE1022Z	CASE,COVER	
164	PFUS1448Z	LEAF SPRING	
165	PF0G1006Z	GLASS	
166	PFQT2077R	LABEL	

### 12.1.7. LOWER MAIN CABINET SECTION (1)

Ref. No.	Part No.	Part Name & Description	Remarks
180	PFMD1065Z	COVER	
181	PFHG1169Z	RUBBER PARTS,FOOT	
182	LPA1603K	LASER UNIT	△
183	PQLB1E1	INSULATOR	
184	PFJP03S04Z	AC SOCKET	△ S
185	PQMX10010Z	CASE,COVER	
186	PQHR945Z	BAND	
187	PFJS02P02Z	CONNECTOR	
188	KR06TT251508	INSULATOR	
189	WLR18YK26CM4	LEAD WIRE	
190	PFJS02P34Z	CONNECTOR	
191	PFJS08P31Z	CONNECTOR	
192	PFJE1021Z	LEAD WIRE	
193	PFJS06P30Z	CONNECTOR,6P	
194	PFUS1431Z	COIL SPRING	
195	PFJS04P28Z	CONNECTOR	
196	PFJS05P29Z	CONNECTOR,5P	
197	PFUS1449Z	COIL SPRING	
198	XWC4B	WASHER	

### 12.1.8. LOWER MAIN CABINET SECTION (2)

Ref. No.	Part No.	Part Name & Description	Remarks
210	PFUE1015Z	PLASTIC PARTS	ABS
211	PFUS1450Z	TORSION SPRING	
212	WLL20YG24M3M	LEAD WIRE	
213	PFUS1028Z	LEAF SPRING	
214	PF0M1005Z	MIRROR	
215	PFUS1429Z	LEAF SPRING	
216	PFUS1439Z	COIL SPRING	
217	PFUS1502Z	TORSION SPRING	
218	PFJS02P12Z	CONNECTOR	
219	PFAS50P006Z	SPEAKER	
220	PFUS1456Z	TORSION SPRING	
221	PFDG1310Z	GEAR,IDLER	POM
222	PFDG1311Z	GEAR,IDLER	POM
223	PFKF1058Z1	CABINET COVER,HANDSET	PS
224	PFBH1024Z1	PUSH BUTTON,HOOK	ABS-HB
225	PFKM1115Z1	CABINET BODY,HANDSET	PS
226	PFHX1657Z	SPACER	
227	PFUA1045Z	CHASSIS,GERA MAIN	
228	55SPM25D3NA	DC MOTOR	
229	PFDG1304Y	GEAR,IDLER 67	POM
230	XUC4FY	E-RING	
231	PFDG1306Y	GEAR,FISER IDLER 2	POM
232	PFDG1305Z	GEAR,FUSER IDLER	POM
233	PFDG1303Z	GEAR,IDLER	POM
234	XUC5FY	RETAINING RING	
235	PFKM1114Z1	CABINET BODY,MAIN	PS
236	PFHX1674Z	COVER,PROTECTION SHEET	
237	PFHX1668Z	COVER,CABINET SHEET	

### 12.1.9. LOWER CABINET SECTION (3)

Ref. No.	Part No.	Part Name & Description	Remarks
240	PFMH1125Z	PLATE,MOTOR	
241	PFJQ35S1S15D	DC MOTOR	S
242	PFDE1201X	ARM	POM
243	PFUS1019Z	SPRING	
244	PFDG1299Z	GEAR,PLANET	POM
245	PFDG1297Z	GEAR,IDLER	POM
250	PFUA1046Z	CHASSIS	PBT+ABS
251	PFDG1297Z	GEAR,IDLER	
252	PFDG1307Z	GEAR,PICK CLUTCH B	POM
253	PFDG1189Z	GEAR	
254	PFDG1308Z	GEAR	POM

Ref. No.	Part No.	Part Name & Description	Remarks
255	PFDG1309Z	GEAR,PICK CLUTCH A	POM
256	PFDG1176Z	GEAR, IDLER B	
257	PFHG1165Z	RUBBER,SOLENOID	
258	PFDE1202Z	LEVER,PICK UP CLUTCH	POM
259	PFUS1259Y	SPRING,SOLENOID	
260	PFPP1003Z	PLUNGER,SOLENOID	
261	PFUA1047Z	CHASSIS,GERA CHASSIS	ABS
270	PFUS1430Z	SPRING,TERMINAL TRS	
271	PFUV1059Y	CASE,FAN	PS
272	PFUS1451Z	SPRING,COVER OPEN	
273	PFUE1016Z	LEVER	ABS
274	L6FALDGGK0001	MOTOR,FAN	
275	PFUS1428Z	LEAF SPRING,TERMINAL DEV	
276	PFUS1427Z	LEAF SPRING	

## 12.2. ACCESSORIES AND PACKING MATERIALS

Ref. No.	Part No.	Part Name & Description	Remarks
A1	PFQW2061Z	LEAFLET	
A2	PFKS1096Z1	TRAY,PAPER STACKER	
A3	PQJA10038Y	CORD,POWER	△
A4	PFJA02B002Z	CORD,TEL	
A5	PFJA1029Z	CORD,CURL	
A6	PFKS1085Z1	TRAY,PAPER TRAY	PS-HB
A7	PFQX1905Z	INSTRUCTION BOOK (RUSSIAN)	
A8	PFQX1906Z	INSTRUCTION BOOK (UKRAINIAN)	
A9	PFJXE1005Z	HANDSET	△
P1	PFZE1141Z-M	GIFT BOX	
P2	PFPPN1307Z	CUSHION	
P3	PFPPN1308Y	CUSHION	
P4	PFPPN1305Y	CUSHION	
P5	PFPPN1306Y	CUSHION	
P6	PFPPD1165Y	CUSHION	
P7	PFPPH1040Y	PROTECTION COVER	
P8	XZB20X35A04	PROTECTION COVER	
P9	XZB32X45A04	PROTECTION COVER	
P10	PFPPH1046Z	PROTECTION COVER	

## 12.3. DIGITAL BOARD PARTS

Ref. No.	Part No.	Part Name & Description	Remarks
PCB1	PFWP1FL513RU	DIGITAL BOARD ASS'Y (RTL)	
		(ICs)	
IC600	PFVIR676811	IC	
IC602	C1CB00001637	IC	
IC604	C3ABPG000102	IC	
IC605	C1CB00001566	IC	
IC606	C1CB00001551	IC	
IC607	PFWIFL513RU	IC(ROM)	
IC608	C0DBFGD00012	IC	
IC609	C0GBH0000015	IC	
IC610	PFVIT2003APS	IC	S
IC611	C0JBAR000386	IC	
		(TRANSISTORS)	
Q602	PQVTDTC143E	TRANSISTOR(SI)	S
Q603	2SB1197K	TRANSISTOR(SI)	S
Q604	PQVTDTC143E	TRANSISTOR(SI)	S
Q605	2SB1197K	TRANSISTOR(SI)	S
Q606	PQVTDTC143E	TRANSISTOR(SI)	S
Q607	2SB1197K	TRANSISTOR(SI)	S
Q609	2SD1819A	TRANSISTOR(SI)	S
Q612	PQVTD143Z106	TRANSISTOR(SI)	S
Q613	PQVTD143Z106	TRANSISTOR(SI)	S
Q614	2SD1819A	TRANSISTOR(SI)	S
Q615	PQVTDTC143E	TRANSISTOR(SI)	S
Q616	PQVTDTC143E	TRANSISTOR(SI)	S
Q617	PQVTD143Z106	TRANSISTOR(SI)	S
Q618	2SD1819A	TRANSISTOR(SI)	S
Q619	2SB1197K	TRANSISTOR(SI)	S

Ref. No.	Part No.	Part Name & Description	Remarks
Q620	2SB1322	TRANSISTOR(SI)	S
Q621	PQVTD143Z106	TRANSISTOR(SI)	S
Q622	PQVTD143Z106	TRANSISTOR(SI)	S
Q623	PQVTDTC143E	TRANSISTOR(SI)	S
		(DIODES)	
D600	PQVDRLS73T	DIODE(SI)	S
D601	PQVDNDCD56DT	DIODE(SI)	S
D602	PFVDRMRLS245	DIODE(SI)	S
D606	B0JAME000005	DIODE(SI)	
D607	MA7160	DIODE(SI)	S
D608	PFVDRMRLS245	DIODE(SI)	S
		(BATTERY)	
BAT600	CR-2032/V9A	LITHIUM BATTERY	
		(CONNECTORS)	
CN600	PQJS28X59Z	CONNECTOR, 28P	
CN601	PQJP4G30Z	CONNECTOR, 4P	S
CN602	PQJP3G30Z	CONNECTOR, 3P	S
CN603	PQJP02G100Z	CONNECTOR, 2P	
CN604	PQJP5G30Z	CONNECTOR, 5P	S
CN606	PQJP8G30Z	CONNECTOR, 8P	S
CN607	PQJS08X53Z	CONNECTOR, 8P	
CN608	PQJP7G30Z	CONNECTOR, 7P	S
CN609	PQJP4G30Z	CONNECTOR, 4P	S
CN610	PQJP5G30Z	CONNECTOR, 5P	S
CN611	PQJP05G100Z	CONNECTOR, 5P	
CN612	PQJP08G100Z	CONNECTOR, 8P	
CN613	PQJP8G30Z	CONNECTOR, 8P	S
CN614	PQJP6G30Z	CONNECTOR, 6P	S
		(FUSES)	
F600	PFRR0031063	FUSE	
F602	PFRR0031063	FUSE	
F603	PFRR0031031T	FUSE	S
F604	PFRR0032315T	FUSE	S
F605	PFRR002122KZ	FUSE	S
F606	PFRR0031200	FUSE	S
		(CRYSTAL OSCILLATORS)	
X600	PFVC32256ZAT	CRYSTAL OSCILLATOR	S
X601	PFVCK3.6N9Z	CRYSTAL OSCILLATOR	S
X602	PFVCCSA24Z	CRYSTAL OSCILLATOR	S
X603	H0A327200079	CRYSTAL OSCILLATOR	
		(COILS)	
L601	PFVF1B102SP	COIL	
L602	PFVF1B102SP	COIL	
L603	PFVF1B102SP	COIL	
L604	PFVF1B102SP	COIL	
L605	PFVF1B102SP	COIL	
L606	PFVF1B102SP	COIL	
L607	PQLQR2BT	COIL	S
L610	PQLQR2BT	COIL	S
L612	PQLQR2BT	COIL	S
L613	PQLQR2BT	COIL	S
L614	PQLQR1ET	COIL	S
L615	PQLQR2BT	COIL	S
L616	PQLQR1ET	COIL	S
L630	PFVF2P221SG	COIL	
L631	PQLQR2BT	COIL	S
L634	PQLQR2KA20T	COIL	S
L635	PQLQR2KA20T	COIL	S
L636	PQLQR2KA20T	COIL	S
L648	PQLQR2BT	COIL	S
L649	PFVF2P221SG	COIL	S
L650	PFVF2P221SG	COIL	S
L651	PFVF2P221SG	COIL	S
L652	PFVF2P221SG	COIL	S
L653	PFVF1B102SP	COIL	
L654	PFVF1B102SP	COIL	
L655	PFVF1B102SP	COIL	
L656	PFVF1B102SP	COIL	
L657	PFVF1B102SP	COIL	
L658	PFVF1B102SP	COIL	
L659	PFVF1B102SP	COIL	
L660	PFVF1B102SP	COIL	
L661	PFVF1B102SP	COIL	



Ref. No.	Part No.	Part Name & Description	Remarks
R663	PQLQR2KA20T	COIL	S
R759	PQLQR2KA20T	COIL	S
R760	PQLQR2KA20T	COIL	S
		(CERAMIC FILTERS)	
L608	PFVFB601ST	CERAMIC FILTER	S
L618	PFVFB252SDT	CERAMIC FILTER	S
L619	PFVFB252SDT	CERAMIC FILTER	S
L620	PFVFB252SDT	CERAMIC FILTER	S
L621	PFVFB252SDT	CERAMIC FILTER	S
L627	PFVFB252SDT	CERAMIC FILTER	S
L628	PFVFB252SDT	CERAMIC FILTER	S
L633	PFVFA102ST	CERAMIC FILTER	
L637	PFVFA102ST	CERAMIC FILTER	
L638	PFVFA102ST	CERAMIC FILTER	
L639	PFVFA102ST	CERAMIC FILTER	
L641	PFVFB601ST	CERAMIC FILTER	S
L642	PFVFB252SDT	CERAMIC FILTER	S
L643	PFVFB252SDT	CERAMIC FILTER	S
L644	PFVFB252SDT	CERAMIC FILTER	S
L645	PFVFB601ST	CERAMIC FILTER	S
L646	PFVFB601ST	CERAMIC FILTER	S
L647	PFVFB252SDT	CERAMIC FILTER	S
		(PHOTO ELECTRIC TRANSDUCERS)	
PS600	PFVIRM574SL	PHOTO SENSOR	S
PS601	PFVIRM574SL	PHOTO SENSOR	S
		(COMPONENTS PARTS)	
L632	EXCELDR35	RESISTOR ARRAY	
RA600	PFXBV8V101JV	RESISTOR ARRAY	S
RA601	PFXBV8V101JV	RESISTOR ARRAY	S
RA602	PFXBV8V101JV	RESISTOR ARRAY	S
RA603	EXB38V220JV	RESISTOR ARRAY	S
RA604	EXB38V220JV	RESISTOR ARRAY	S
RA605	EXB38V220JV	RESISTOR ARRAY	S
RA606	EXB38V220JV	RESISTOR ARRAY	S
RA607	EXB38V220JV	RESISTOR ARRAY	S
RA608	EXB38V220JV	RESISTOR ARRAY	S
RA609	EXB38V220JV	RESISTOR ARRAY	S
RA610	EXB38V220JV	RESISTOR ARRAY	S
RA611	EXB38V220JV	RESISTOR ARRAY	S
RA612	EXB38V220JV	RESISTOR ARRAY	S
RA613	EXRV8V470JV	RESISTOR ARRAY	S
RA614	EXRV8V470JV	RESISTOR ARRAY	S
RA615	EXRV8V470JV	RESISTOR ARRAY	S
RA616	EXRV8V470JV	RESISTOR ARRAY	S
RA617	EXRV8V470JV	RESISTOR ARRAY	S
RA618	EXRV8V470JV	RESISTOR ARRAY	S
RA619	EXRV8V470JV	RESISTOR ARRAY	S
RA620	EXRV8V470JV	RESISTOR ARRAY	S
RA621	EXRV8V470JV	RESISTOR ARRAY	S
		(RESISTORS)	
L609	PQ4R10XJ000	0	S
L611	PQ4R10XJ000	0	S
L617	PQ4R10XJ000	0	S
L622	PQ4R10XJ000	0	S
L640	PQ4R10XJ000	0	S
L623	ERJ3GEYJ271	270	
L624	ERJ3GEYJ271	270	
L625	ERJ3GEYJ271	270	
L626	ERJ3GEYJ271	270	
R601	ERG25J271	270	
R602	ERJ3GEYJ103	10k	
R603	ERJ3GEYJ563	56k	
R607	ERJ3GEYJ562	5.6k	
R608	ERJ3GEYJ562	5.6k	
R609	ERJ3GEYJ562	5.6k	
R610	ERJ3GEYJ562	5.6k	
R611	PQ4R10XJ331	330	S
R612	ERJ3GEYJ103	10k	
R613	ERJ3GEYJ563	56k	
R614	ERJ3GEYJ472	4.7k	
R615	ERJ3GEYJ563	56k	
R616	ERJ3GEYJ562	5.6k	
R617	PQ4R10XJ331	330	S

Ref. No.	Part No.	Part Name & Description	Remarks
R618	DOGG472JA002	4.7k	
R619	ERJ3GEYJ101	100	
R620	ERJ3GEYJ563	56k	
R621	ERJ12YJ390	39	
R622	DOGG472JA002	4.7k	
R623	ERJ3GEYJ103	10k	
R624	ERJ3GEYJ103	10k	
R625	DOGG472JA002	4.7k	
R626	ERJ3GEYJ103	10k	
R627	ERJ3GEYJ102	1k	
R628	ERJ3GEYJ103	10k	
R629	ERJ3GEYJ101	100	
R630	PQ4R10XJ331	330	S
R631	ERJ3GEYJ563	56k	
R632	ERJ3GEYJ562	5.6k	
R633	ERJ3GEYF393	39k	S
R634	ERJ3GEYF393	39k	S
R635	ERJ3EKF2202	220k	
R636	ERJ3EKF2202	220k	
R637	ERJ3EKF1802	180k	
R638	ERJ3EKF3302	330k	
R640	ERJ3GEYJ101	100	
R641	ERJ3GEYJ101	100	
R642	ERJ3GEYJ101	100	
R643	ERJ3GEYJ181	180	
R644	ERJ3GEYJ102	1k	
R645	ERJ3GEYJ103	10k	
R647	ERJ3GEYJ473	47k	
R649	ERJ3GEYJ473	47k	
R650	ERJ3GEYJ473	47k	
R652	ERJ3GEYJ101	100	
R653	ERJ3GEYJ101	100	
R654	ERJ3GEYJ103	10k	
R655	ERJ3GEYJ272	2.7k	
R656	ERJ3GEYJ222	2.2k	
R657	ERJ3GEYJ102	1k	
R658	ERJ3GEYJ102	1k	
R659	ERJ3GEYJ391	390	
R660	ERJ3GEYJ472	4.7k	
R664	ERJ3GEYJ203	20k	
R668	ERJ3GEY0R00	0	
R675	ERJ3GEYJ473	47k	
R678	ERJ3GEYJ470	47	
R679	ERJ3GEYJ105	1M	
R680	ERJ3GEY0R00	0	
R681	ERJ3GEY0R00	0	
R682	ERJ3GEY0R00	0	
R683	ERJ3GEYJ220	22	
R687	ERJ3GEYJ473	47k	
R688	ERJ3GEYJ473	47k	
R690	ERJ3GEYJ101	100	
R691	ERJ3GEYJ101	100	
R695	ERJ3GEYJ220	22	
R696	ERJ3GEYJ220	22	
R697	ERJ3GEYJ220	22	
R698	ERJ3GEYJ220	22	
R701	ERJ3GEYJ473	47k	
R704	ERJ3GEYJ475	4.7M	
R705	ERJ3GEYJ47	4.7	
R707	ERJ3GEYJ334	330k	
R708	ERJ3GEYJ222	2.2k	
R709	ERJ3GEYJ472	4.7k	
R710	ERJ3GEYJ47	4.7	
R716	ERJ3GEY0R00	0	
R719	ERJ3GEYJ183	18k	
R721	ERJ3GEY0R00	0	
R722	ERJ3EKF1101	1.1	
R723	ERJ3EKF3602	360k	
R724	ERJ8GEYJ2R2	2.2	
R726	ERJ3GEYJ103	10k	
R727	ERJ3GEYJ101	100	
R728	ERJ3GEYJ101	100	
R729	PQ4R18XJ100	10	S

Ref. No.	Part No.	Part Name & Description	Remarks
R730	ERJ3GEYJ472	4.7k	
R731	ERJ3GEYJ222	2.2k	
R732	ERJ3GEYJ333	33k	
R733	D0C1R47GA003	0.47	
R734	D0C1R47GA003	0.47	
R735	ERJ3GEYJ222	2.2k	
R736	ERJ3GEYJ102	1k	
R737	ERDS1VJ152	1.5k	S
R738	ERJ3GEYJ473	47k	
R739	ERJ3GEYJ101	100	
R740	ERJ3GEYJ473	47k	
R741	ERJ3GEYJ101	100	
R742	ERJ3GEYJ101	100	
R743	ERJ3GEYJ101	100	
R744	ERJ3GEYJ101	100	
R745	ERJ3GEYJ393	39k	
R746	ERJ3GEYJ103	10k	
R747	ERX1S2R2	2.2	
R748	ERJ3GEYJ472	4.7k	
R749	ERJ3GEYJ102	1k	
R750	ERJ3GEYJ102	1k	
R751	ERJ3GEYJ303	30k	
R752	ERJ3GEYJ683	68k	
R753	ERJ3GEYJ104	100k	
R754	ERJ3GEYJ473	47k	
R755	ERJ3GEYJ103	10k	
R756	ERJ3GEYJ562	5.6k	
R757	ERJ3GEYJ222	2.2k	
R758	ERJ3GEYJ183	18k	
R764	ERJ3GEYJ220	22	
R766	ERJ3GEY0R00	0	
R767	ERJ3GEYJ181	180	
R768	ERJ3GEYJ181	180	
R769	ERJ3GEYJ181	180	
R770	ERJ3GEYJ103	10k	
R771	ERJ3GEYJ273	27k	
R772	ERJ3GEYJ100	10	
R773	ERJ3GEYJ103	10k	
R775	ERJ3GEYJ103	10k	
R778	ERJ3GEYJ103	10k	
R780	ERJ3GEYJ181	180	
		(CAPACITORS)	
C600	ECUV1C104ZFV	0.1	
C601	ECEA1VKA101	100	S
C602	ECUV1C104ZFV	0.1	
C604	ECUV1H102KBV	0.001	
C605	ECUV1H102KBV	0.001	
C606	ECUV1H102KBV	0.001	
C607	ECUV1H102KBV	0.001	
C608	ECUV1H102KBV	0.001	
C609	ECUV1H102KBV	0.001	
C610	ECUV1H102KBV	0.001	
C611	ECUV1H103KBV	0.01	
C612	ECUV1H103KBV	0.01	
C613	ECUV1C104KBV	0.1	
C614	ECUV1C104ZFV	0.1	
C615	ECUV1C104ZFV	0.1	
C616	ECEA1CKS100	10	S
C617	ECEA1CKS100	10	S
C618	ECEA1AU101	100	S
C619	ECUV1C104ZFV	0.1	
C621	ECUV1A105ZFV	1	
C622	ECUV1C104ZFV	0.1	
C623	ECUV1H102KBV	0.001	
C624	ECUV1H102KBV	0.001	
C625	ECUV1H102KBV	0.001	
C626	ECUV1H102KBV	0.001	
C627	ECUV1H102KBV	0.001	
C628	ECUV1C104ZFV	0.1	
C629	ECUV1C104KBV	0.1	
C630	ECUV1H103KBV	0.01	
C631	ECUV1H100DCV	10p	S
C632	ECUV1H100DCV	10p	S

Ref. No.	Part No.	Part Name & Description	Remarks
C633	ECUV1C104ZFV	0.1	
C634	ECUV1H330JCV	33p	
C647	ECUV1C104ZFV	0.1	
C648	ECEA1VKA101	100	S
C652	ECUV1H222KBV	0.0022	
C654	ECUV1H222KBV	0.0022	
C655	ECUV1H120JCV	12p	
C656	ECUV1H150JCV	15p	
C659	ECUV1H150JCV	15p	
C661	ECUV1C104ZFV	0.1	
C662	ECUV1C104ZFV	0.1	
C663	ECUV1C104ZFV	0.1	
C664	ECUV1C104ZFV	0.1	
C665	ECUV1H270JCV	27p	
C666	ECUV1C104ZFV	0.1	
C667	ECUV1C104ZFV	0.1	
C668	ECUV1C104ZFV	0.1	
C669	ECUV1C104ZFV	0.1	
C670	ECUV1C104ZFV	0.1	
C671	ECUV1C104ZFV	0.1	
C672	ECUV1C104ZFV	0.1	
C673	ECUV1C104ZFV	0.1	
C674	ECUV1H150JCV	15p	
C675	ECUV1H150JCV	15p	
C676	ECUV1H150JCV	15p	
C677	ECUV1H270JCV	27p	
C678	ECUV1C104ZFV	0.1	
C679	ECUV1C104ZFV	0.1	
C680	ECUV1H270JCV	27p	
C681	ECUV1C104ZFV	0.1	
C682	ECUV1C104ZFV	0.1	
C683	ECUV1C104ZFV	0.1	
C684	ECUV1C104ZFV	0.1	
C685	ECUV1H120JCV	12p	
C686	ECUV1H150JCV	15p	
C687	ECUV1C104ZFV	0.1	
C689	ECUV1C104ZFV	0.1	
C690	ECUV1C104ZFV	0.1	
C691	ECUV1H270JCV	27p	
C692	ECUV1C104ZFV	0.1	
C693	ECUV1C104ZFV	0.1	
C694	ECUV1C104ZFV	0.1	
C695	ECUV1C104ZFV	0.1	
C696	ECUV1C104ZFV	0.1	
C698	ECUV1C104KBV	0.1	
C699	ECUV1C104KBV	0.1	
C700	ECUV1C104KBV	0.1	
C701	ECUV1C104ZFV	0.1	
C702	ECUV1C104ZFV	0.1	
C703	ECUV1C104ZFV	0.1	
C704	ECUV1C104ZFV	0.1	
C705	ECUV1C104KBV	0.1	
C706	ECUV1C104KBV	0.1	
C708	ECUV1C104ZFV	0.1	
C710	ECUV1C104ZFV	0.1	
C711	ECUV1H332KBV	0.0033	
C712	ECUV1C104ZFV	0.1	
C713	ECUV1C104ZFV	0.1	
C716	ECUV1H102KBV	0.001	
C717	ECUV1C104ZFV	0.1	
C718	ECUV1H102KBV	0.001	
C719	ECUV1C104ZFV	0.1	
C720	ECEA1AU221	220	S
C721	ECUV1C104ZFV	0.1	
C723	ECEA1AU221	220	S
C724	FFCA1HYK331M	330p	S
C725	ECUV1H104ZFV	0.1	S
C726	ECUV1H104ZFV	0.1	S
C727	ECEA1VKA101	100	S
C729	ECUV1C104ZFV	0.1	
C730	ECUV1H104ZFV	0.1	S
C731	ECUV1C104ZFV	0.1	
C732	ECUV1H104ZFV	0.1	S

Ref. No.	Part No.	Part Name & Description	Remarks
C733	ECEALVKA101	100	S
C734	ECEALAU101	100	S
C735	ECUV1C104ZFB	0.1	
C736	ECUV1C104ZFB	0.1	
C737	ECUV1C104ZFB	0.1	
C738	ECUV1H680JCV	68p	
C739	ECUV1C104ZFB	0.1	
C740	ECUV1H181JCV	180p	S
C741	ECUV1H181JCV	180p	S
C742	ECUV1C104ZFB	0.1	
C743	ECUV1H222KVB	0.0022	
C745	ECUV1H181JCV	180p	S
C746	ECUV1H181JCV	180p	S
C747	ECUV1H181JCV	180p	S
C748	ECUV1H181JCV	180p	S
C749	ECUV1H104ZFB	0.1	S
C754	ECUV1C104KVB	0.1	
C755	ECUV1H101JCV	100p	
C756	ECUV1C104ZFB	0.1	
C757	ECUV1C104ZFB	0.1	
C758	ECEALCKS100	10	S
C761	ECUV1H181JCV	180p	S

## 12.4. ANALOG BOARD PARTS

Ref. No.	Part No.	Part Name & Description	Remarks
PCB2	PFLP1481RU-A	ANALOG BOARD ASS'Y (RTL)	
		(ICs)	
IC200	COABEB000038	IC	
IC201	COABEB000038	IC	
IC202	COAABB000025	IC	
IC204	COABEB000038	IC	
IC206	PQVIMC34119D	IC	S
IC207	AN6384SB	IC	
IC208	AN6123MS	IC	
		(TRANSISTORS)	
Q202	2SC2235	TRANSISTOR(SI)	S
Q207	2SB1218ARL	TRANSISTOR(SI)	
Q210	PQVTDTC143E	TRANSISTOR(SI)	S
Q211	2SA1627	TRANSISTOR(SI)	S
Q212	PQVTDTC143E	TRANSISTOR(SI)	S
Q213	2SB1218ARL	TRANSISTOR(SI)	
		(DIODES)	
D200	MA4056	DIODE(SI)	S
D201	MA4056	DIODE(SI)	S
D202	1SS133	DIODE(SI)	S
D203	1SS133	DIODE(SI)	S
D204	1SS133	DIODE(SI)	S
D208	1SS133	DIODE(SI)	S
D209	1SS133	DIODE(SI)	S
D210	BOEBHR000001	DIODE(SI)	
D211	MA4056	DIODE(SI)	S
D212	MA4056	DIODE(SI)	S
D213	1SS133	DIODE(SI)	S
		(CONNECTORS & JACKS)	
CN200	PQJP02G100Z	CONNECTOR, 2P	
CN201	PQJS28X59Z	CONNECTOR, 28P	
CN202	PQJJ1TB18Z	JACK	S
CN203	PQJJ1TC5Z	JACK	S
CN204	PQJJ1TC5Z	JACK	S
		(FUSES)	
F200	PQBA1N10NMAL	FUSE	S
		(COILS)	
FLT200	PFLE003	COIL	S
FLT201	PFLE126	COIL	S
L239	PQLQR1E32A07	COIL	
L242	PQLQR1E32A07	COIL	S
L247	PQLQR1E32A07	COIL	S
L248	PQLQR1E32A07	COIL	S
L277	PFVFB102SP	COIL	
		(RELAYS)	
RLY200	PFSL003Z	RELAY	S

Ref. No.	Part No.	Part Name & Description	Remarks
		(VARISTORS)	
SA200	PQVDDSS301L	VARISTOR (SURGE ABSORBER)	S △
SA201	PFRZ001Z	VARISTOR (SURGE ABSORBER)	S
ZNR200	ERZVA7D151	VARISTOR	
		(SWITCH)	
SW200	PFSHA011Z	SWITCH	
		(TRANSFORMERS)	
T201	PFLT8E003	TRANSFORMER	S
T202	PFLT8E004	TRANSFORMER	S
		(PHOTO ELECTRIC TRANSDUCERS)	
PC202	ON3131SKU	PHOTO COUPLER	S
PC203	ON3131SKU	PHOTO COUPLER	S
PC204	PQVITLP627	PHOTO COUPLER	S △
PC205	PQVITLP620K	PHOTO COUPLER	S
		(CERAMIC FILTERS)	
L200	PFVFB1B252SDT	CERAMIC FILTER	S
L201	PFVFB1B252SDT	CERAMIC FILTER	S
L202	PFVFB1B252SDT	CERAMIC FILTER	S
L205	PFVFB1B252SDT	CERAMIC FILTER	S
L206	PFVFB1B252SDT	CERAMIC FILTER	S
L207	PFVFB1B252SDT	CERAMIC FILTER	S
L208	PFVFB1B252SDT	CERAMIC FILTER	S
L209	PFVFB1B252SDT	CERAMIC FILTER	S
L211	PFVFB1B252SDT	CERAMIC FILTER	S
L212	PFVFB1B252SDT	CERAMIC FILTER	S
L213	PFVFB1B252SDT	CERAMIC FILTER	S
L214	PFVFB1B252SDT	CERAMIC FILTER	S
L216	PFVFB1B252SDT	CERAMIC FILTER	S
L217	PFVFB1B252SDT	CERAMIC FILTER	S
L218	PFVFB1B252SDT	CERAMIC FILTER	S
L220	PFVFB1B252SDT	CERAMIC FILTER	S
L221	PFVFB1B252SDT	CERAMIC FILTER	S
L222	PFVFB1B252SDT	CERAMIC FILTER	S
L223	PFVFB1B252SDT	CERAMIC FILTER	S
L224	PFVFB1B252SDT	CERAMIC FILTER	S
L225	PFVFB1B252SDT	CERAMIC FILTER	S
L230	PFVFB1B252SDT	CERAMIC FILTER	S
L232	PFVFB1B252SDT	CERAMIC FILTER	S
L234	PFVFB1B252SDT	CERAMIC FILTER	S
L235	PFVFB1B252SDT	CERAMIC FILTER	S
L236	PFVFB1B252SDT	CERAMIC FILTER	S
L237	PFVFB1B252SDT	CERAMIC FILTER	S
L249	PFVFB1B252SDT	CERAMIC FILTER	S
L250	PFVFB1B252SDT	CERAMIC FILTER	S
L253	PFVFB1B252SDT	CERAMIC FILTER	S
L255	PFVFB1B252SDT	CERAMIC FILTER	S
L256	PFVFB1B252SDT	CERAMIC FILTER	S
L257	PFVFB1B252SDT	CERAMIC FILTER	S
L258	PFVFB1B252SDT	CERAMIC FILTER	S
L259	PFVFB1B252SDT	CERAMIC FILTER	S
L260	PFVFB1B252SDT	CERAMIC FILTER	S
L261	PFVFB1B252SDT	CERAMIC FILTER	S
L265	PFVFB1B252SDT	CERAMIC FILTER	S
L285	PFVFB1B252SDT	CERAMIC FILTER	S
L286	PFVFB1B252SDT	CERAMIC FILTER	S
L287	PFVFB1B252SDT	CERAMIC FILTER	S
R219	PFVFB1B252SDT	CERAMIC FILTER	S
		(RESISTORS)	
J200	ERJ3GEY0R00	0	
J201	ERJ3GEY0R00	0	
J202	ERJ3GEY0R00	0	
J211	ERJ3GEY0R00	0	
J212	ERJ3GEY0R00	0	
J213	ERJ3GEY0R00	0	
L226	ERJ3GEY0R00	0	
L227	ERJ3GEY0R00	0	
L228	ERJ3GEY0R00	0	
L231	ERJ3GEY0R00	0	
L240	ERJ3GEY0R00	0	
L241	ERJ3GEY0R00	0	
L262	ERJ3GEY0R00	0	
L263	ERJ3GEY0R00	0	
L264	ERJ3GEY0R00	0	

Ref. No.	Part No.	Part Name & Description	Remarks
L266	ERJ3GEYJ101	100	
L267	ERJ3GEYJ101	100	
L268	ERJ3GEY0R00	0	
L270	ERJ3GEYJ101	100	
L271	ERJ3GEYJ101	100	
L274	ERJ3GEYJ101	100	
L275	ERJ3GEYJ101	100	
L276	ERJ3GEY0R00	0	
L278	ERJ3GEY0R00	0	
L279	ERJ3GEY0R00	0	
L280	ERJ3GEY0R00	0	
L283	ERJ3GEY0R00	0	
L284	ERJ3GEY0R00	0	
R200	ERJ3GEYJ103	10k	
R201	ERJ3GEYJ622	6.2k	
R202	ERJ3GEYJ153	15k	
R203	ERJ3GEYJ333	33k	
R205	ERJ3GEYJ103	10k	
R206	ERJ3GEYJ333	33k	
R207	ERJ3GEYJ752	7.5k	
R209	ERJ3GEYJ103	10k	
R214	ERJ3GEYJ103	10k	
R215	ERJ3GEYJ104	100k	
R216	ERJ3GEYJ104	100k	
R217	ERJ3GEYJ103	10k	
R218	ERJ3GEYJ114	110k	
R221	ERJ3GEYJ103	10k	
R222	ERJ3GEYJ104	100k	
R226	PQ4R18XJ100	10	s
R229	ERJ3GEYJ473	47k	
R230	ERJ3GEYJ621	620	
R231	ERJ3GEYJ621	620	
R232	ERJ3GEYJ183	18k	
R233	ERJ3GEY0R00	0	
R234	ERJ3GEY0R00	0	
R236	ERJ3GEYJ473	47k	
R237	ERJ3GEYJ154	150k	
R238	ERJ3GEYJ124	120k	
R240	ERJ3GEYJ100	10	
R241	ERJ3GEYJ102	1k	
R242	ERJ3GEYJ334	330k	
R243	ERJ3GEYJ102	1k	
R244	ERJ3GEY0R00	0	
R245	ERJ3GEYJ472	4.7k	
R246	ERJ3GEYJ103	10k	
R247	ERJ3GEYJ103	10k	
R248	ERJ3GEYJ222	2.2k	
R250	ERJ3GEYJ102	1k	
R251	ERJ3GEYJ103	10k	
R253	ERJ3GEYJ183	18k	
R266	ERJ3GEYJ103	10K	
R268	ERJ3GEYJ103	10K	
R270	ERJ3GEYJ562	5.6K	
R275	ERJ3GEYJ821	820	
R276	ERJ3GEYJ223	22k	
R277	ERJ3GEYJ563	56k	
R278	ERDS2TJ150	15	s
R279	ERJ3GEYJ102	1k	
R280	ERJ3GEYJ101	100	
R281	ERJ3GEYJ394	390k	
R282	ERJ3GEYJ244	240k	
R283	ERJ3GEYJ134	130k	
R284	ERJ3GEYJ392	3.9k	
R285	ERJ3GEYJ183	18k	
R287	ERJ3GEYJ472	4.7k	
R288	ERJ3GEYJ102	1k	
R289	ERJ3GEYJ104	100k	
R291	ERJ3GEYJ124	120k	
R293	ERJ3GEYJ683	68k	
R295	ERJ3GEYJ224	220k	
R296	ERJ3GEYJ224	220k	
R297	ERJ3GEYJ683	68k	
R298	ERJ3GEYJ204	200k	

Ref. No.	Part No.	Part Name & Description	Remarks
R299	ERDS1TJ682	6.8k	s
R300	ERJ3GEYJ820	82	
R301	ERJ3GEYJ820	82	
R302	ERJ3GEYJ820	82	
R303	ERJ3GEYJ822	8.2k	
R304	ERJ3GEYJ222	2.2k	
R305	ERJ3GEYJ473	47k	
R308	ERJ3GEY0R00	0	
R310	ERDS1TJ6R8	6.8	s
R312	ERJ3GEYJ681	680	
R313	ERJ3GEYJ102	1k	
R314	ERJ3GEYJ102	1k	
R315	ERDS1VJ333	33k	s
R316	ERJ3GEYJ103	10k	
R317	ERJ3GEYJ563	56k	
R318	ERJ3GEYJ103	10k	
R319	ERJ3GEYJ563	56k	
R320	ERJ3GEYJ100	10	
R324	ERJ3GEYJ114	110k	
R325	ERJ3GEYJ334	330k	
R326	ERJ3GEYJ104	100k	
R327	ERJ3GEYJ223	22k	
R328	ERJ3GEYJ104	100k	
R329	ERJ3GEYJ103	10k	
R330	ERJ3GEYJ105	1M	
R331	ERJ3GEYJ154	150k	
R332	ERJ3GEYJ183	18k	
R334	ERJ3GEYJ243	24k	
R335	ERJ3GEYJ243	24k	
R340	ERJ3GEYJ4R7	4.7	
R341	ERJ3GEYJ101	100	
R342	ERJ3GEYJ4R7	4.7	
R343	ERJ3GEYJ102	1k	
R344	ERJ3GEYJ103	10k	
		(CAPACITORS)	
C200	ECUV1C104KBV	0.1	
C201	ECUV1H621JCV	620p	
C202	ECUV1C333KBV	0.033	
C203	ECUV1H562KBV	0.0056	
C204	ECUV1H471JCV	470p	s
C205	ECUV1H621JCV	620p	
C206	ECUV1H621JCV	620p	
C207	ECUV1H272KEV	0.0027	
C208	ECUV1H102KBV	0.001	
C209	ECUV1H153KEV	0.015	
C212	ECUV1H392KEV	0.0039	
C213	ECUV1H392KEV	0.0039	
C214	ECJ1VC1H151J	150p	
C216	ECUV1C104ZFB	0.1	
C218	ECEA1CKS100	10	s
C219	ECUV1H391JCV	390p	
C221	ECUV1C104ZFB	0.1	
C222	ECEA1VU101	100	s
C223	ECUV1C273KEV	0.027	
C224	ECUV1C104KBV	0.1	
C227	ECUV1A224KEV	0.22	
C229	ECUV1H680JCV	68p	
C230	ECUV1C104KBV	0.1	
C231	ECUV1H681JCV	680p	s
C232	ECUV1C273KEV	0.027	
C234	ECEA1CK101	100	s
C236	ECUV1H681JCV	680p	s
C237	ECEA1HKS4R7	4.7	s
C240	ECUV1H222KEV	0.0022	
C241	ECUV1H682KEV	0.0068	s
C242	ECUV1A105ZFB	1	
C243	ECUV1A105ZFB	1	
C244	ECUV1H100DCV	10p	s
C245	ECUV1H100DCV	10p	s
C246	ECUV1C473KEV	0.047	
C248	ECEA1CK470	47	s
C250	ECUV1H101JCV	100p	
C253	ECEA1HU2R2	2.2	s

Ref. No.	Part No.	Part Name & Description	Remarks
C256	ECEA1CKS100	10	S
C260	ECUV1H103KBV	0.01	
C265	ECEA1HKS010	1	S
C266	ECUV1C104KBV	0.1	
C267	ECUV1H820JCV	82p	
C268	ECUV1H820JCV	82p	
C269	ECUV1H680JCV	68p	
C270	ECEA1HU101	100	S
C271	ECUV1H332KBV	0.0033	
C272	ECEA0JK221	220	S
C273	ECEA1CKS100	10	S
C274	ECUV1C104ZFB	0.1	
C275	ECUV1C104ZFB	0.1	
C276	ECUV1C104ZFB	0.1	
C277	ECUV1C104KBV	0.1	
C278	ECKD2H681KB	680p	S
C279	ECKD2H681KB	680p	S
C281	ECQE2E105KZ	1	S
C282	ECUV1H820JCV	82p	
C283	ECUV1H820JCV	82p	
C284	ECUV1H820JCV	82p	
C285	ECUV1H471JCV	470p	S
C286	ECUV1H561JCV	560p	S
C287	ECUV1H101JCV	100p	
C292	ECEA1CKS100	10	S
C293	ECUV1H103KBV	0.01	
C294	ECEA1CK470	47	S
C296	ECUV1H103KBV	0.01	
C297	ECUV1C104ZFB	0.1	
C298	ECEA1CK101	100	S
C299	ECUV1C123KBV	0.012	
C301	ECUV1H621JCV	620p	
C302	ECUV1C273KBV	0.027	
C303	ECJ1VC1H151J	150p	
C307	ECUV1H680JCV	68p	
C308	ECUV1H391JCV	390p	
C309	ECUV1H822KBV	0.0082	S
C310	ECUV1C104ZFB	0.1	
C311	ECEA0JK331	330	S
C312	ECUV1C104ZFB	0.1	
C313	ECEA1CKS100	10	S
C314	ECUV1H472KBV	0.0047	S
C315	ECUV1H272KBV	0.0027	
C317	ECUV1C104KBV	0.1	
C318	ECUV1C104KBV	0.1	
C320	ECUV1H103KBV	0.01	
C321	ECUV1H100DCV	10p	S
C323	ECEA1CK101	100	S
C324	ECUV1A224KBV	0.22	
C325	ECUV1C683KBV	0.068	
C326	ECUV1H100DCV	10p	S
C327	ECUV1C104ZFB	0.1	
C328	ECUV1A105ZFB	1	
C329	ECUV1A105ZFB	1	

## 12.5. OPERATION BOARD PARTS

Ref. No.	Part No.	Part Name & Description	Remarks
PCB3	PFWP2FL511M	OPERATION BOARD ASS`Y (RTL)	
PCB3-1	K0L1AA000001	SWITCH,SET	
		(IC)	
IC101	C1ZBZ0002089	IC	
		(DIODES)	
LED101	PQVDSL325MC	LED	S
LED102	PQVDR325CA47	LED	S
D101	1SS133	DIODE(SI)	S
D102	1SS133	DIODE(SI)	S
D103	1SS133	DIODE(SI)	S
		(CONNECTOR)	
CN102	PQJP8G43Y	CONNECTOR, 8P	S
		(LIQUID CRYSTAL DISPLAY)	
CN101	L5DAAF00001	LCD	

Ref. No.	Part No.	Part Name & Description	Remarks
		(PHOTO ELECTRIC TRANSDUCER)	
PS101	CNA1006N	PHOTO SENSOR	
		(THERMISTOR)	
TH101	D4CC11030019	THERMISTOR	
		(SWITCHES)	
SW101	EVQ11Y05B	SWITCH	
SW102	EVQ11Y05B	SWITCH	
SW103	EVQ11Y05B	SWITCH	
SW104	EVQ11Y05B	SWITCH	
SW105	EVQ11Y05B	SWITCH	
SW106	EVQ11Y05B	SWITCH	
SW107	EVQ11Y05B	SWITCH	
SW108	EVQ11Y05B	SWITCH	
SW109	EVQ11Y05B	SWITCH	
SW110	EVQ11Y05B	SWITCH	
SW111	EVQ11Y05B	SWITCH	
SW112	EVQ11Y05B	SWITCH	
SW113	EVQ11Y05B	SWITCH	
SW114	EVQ11Y05B	SWITCH	
SW115	EVQ11Y05B	SWITCH	
SW116	EVQ11Y05B	SWITCH	
SW117	EVQ11Y05B	SWITCH	
SW118	EVQ11Y05B	SWITCH	
SW119	EVQ11Y05B	SWITCH	
SW120	EVQ11Y05B	SWITCH	
SW121	EVQ11Y05B	SWITCH	
SW122	EVQ11Y05B	SWITCH	
SW123	EVQ11Y05B	SWITCH	
SW124	EVQ11Y05B	SWITCH	
SW125	EVQ11Y05B	SWITCH	
SW126	EVQ11Y05B	SWITCH	
SW127	EVQ11Y05B	SWITCH	
SW128	EVQ11Y05B	SWITCH	
SW129	EVQ11Y05B	SWITCH	
SW130	EVQ11Y05B	SWITCH	
SW131	EVQ11Y05B	SWITCH	
SW132	EVQ11Y05B	SWITCH	
SW133	EVQ11Y05B	SWITCH	
SW134	EVQ11Y05B	SWITCH	
SW135	EVQ11Y05B	SWITCH	
SW136	EVQ11Y05B	SWITCH	
SW137	EVQ11Y05B	SWITCH	
SW138	EVQ11Y05B	SWITCH	
SW139	EVQ11Y05B	SWITCH	
SW140	EVQ11Y05B	SWITCH	
SW141	EVQ11Y05B	SWITCH	
SW142	EVQ11Y05B	SWITCH	
SW143	EVQ11Y05B	SWITCH	
SW144	EVQ11Y05B	SWITCH	
SW145	EVQ11Y05B	SWITCH	
SW146	K0L1AA000001	SWITCH	POM
		(RESISTORS)	
J164	ERJ3GEY0R00	0	
J165	ERJ3GEY0R00	0	
J166	ERJ3GEY0R00	0	
J167	ERJ3GEY0R00	0	
R102	ERJ3GEYJ123	12k	
R103	ERJ3GEYJ181	180	
R104	ERJ3GEYJ123	12k	
R105	ERJ3GEYJ181	180	
R106	ERJ3GEYJ123	12k	
R107	ERJ3GEYJ181	180	
R110	ERJ3GEYJ181	180	
R112	ERJ3GEYJ181	180	
R113	ERJ3GEYJ181	180	
R114	ERJ3GEYJ181	180	
R115	ERJ3GEYJ181	180	
R116	ERJ3GEYJ181	180	
R117	ERJ3GEYJ181	180	
R118	ERJ3GEYJ181	180	
R119	ERJ3GEYJ563	56k	
R120	ERJ3GEYJ331	330	
R121	ERJ3GEYJ472	4.7k	

Ref. No.	Part No.	Part Name & Description	Remarks
R123	ERJ3GEYJ123	12k	
R127	ERJ3GEYJ103	10k	
R128	ERJ3GEYJ223	22k	
R129	ERJ3GEY0R00	0	
R130	ERJ3GEYJ101	100	
R131	ERJ3GEYJ101	100	
R133	ERJ3GEYJ122	1.2k	
R134	ERJ3GEYJ101	100	
R135	ERJ3GEYJ101	100	
R138	ERJ3GEYJ331	330	
R139	ERJ3GEYJ331	330	
R146	ERJ3GEYJ101	100	
R147	ERJ3GEYJ123	12k	
R148	ERJ3GEYJ4R7	4.7	
R149	ERJ3GEYJ123	12k	
R152	ERJ3GEYJ181	180	
		(CAPACITORS)	
C103	ECEA1CK101	100	s
C104	ECUV1C104ZFV	0.1	
C105	ECUV1C104ZFV	0.1	
C106	ECUV1H103KBV	0.01	
C110	ECUV1C104ZFV	0.1	
C111	ECUV1C104ZFV	0.1	
C112	ECEA1CKS100	10	s
C115	ECUV1H101JCV	100p	
C117	ECUV1H101JCV	100p	
C118	ECUV1H101JCV	100p	
C119	ECUV1H103KBV	0.01	
C120	ECUV1C104ZFV	0.1	
C122	ECUV1C104ZFV	0.1	
C125	ECUV1C104ZFV	0.1	
C128	ECUV1H101JCV	100p	
C129	ECUV1H101JCV	100p	
C130	ECUV1H101JCV	100p	
C132	ECEA1CK101	100	s
C133	ECUV1C104ZFV	0.1	
C139	ECUV1C104ZFV	0.1	

## 12.6. HIGH VOLTAGE POWER SUPPLY BOARD PARTS

Ref. No.	Part No.	Part Name & Description	Remarks
PCB4	EUKMBN889HA	HIGH BOLTAGE POWER SUPPLY BOARD ASS'Y (RTL)	
		(IC)	
IC101	AN6742S	IC	
		(TRANSISTORS)	
Q101	2SB709A	TRANSISTOR (SI)	
Q102	2SB709A	TRANSISTOR (SI)	
Q103	2SD2137A	TRANSISTOR (SI)	
Q201	2SD2137A	TRANSISTOR (SI)	
Q202	2SA1699	TRANSISTOR (SI)	
		(DIODE)	
D104	PFVDDHM3FJ60	DIODE (SI)	s
D105	PFVDDHM3FJ60	DIODE (SI)	s
D107	PFVDERA1504	DIODE (SI)	s
D109	PFVDDHM3M20	DIODE (SI)	s
D201	PFVDERA1504	DIODE (SI)	s
D203	PFVDDHM3M20	DIODE (SI)	s
D204	PFVDERA1504	DIODE (SI)	s
D205	PFVDDHM3M20	DIODE (SI)	s
ZD201	PFVDRD62ESAB	ZENER DIODE	s
ZD202	PFVDRD150EB	ZENER DIODE	s
		(CONNECTOR)	
CN2	PFJP06B01Z	CONNECTOR, 6P	
		(CAPACITORS)	
C101	PFEUKMG1V470	47	s
C102	ECQV1H473JZ	0.047	
C103	PFEUKMG1H2R2	2.2	s
C104	PFEUKMG1H010	1	s
C105	ECJ2VB1H103K	0.01	

Ref. No.	Part No.	Part Name & Description	Remarks
C108	ECJ2FB1H473K	0.047	
C109	ECJ2VB1H153K	0.015	
C110	ECKK3F471KBP	470p	
C111	ECKK3D471KBB	470p	
C112	ECKK3D471KBB	470p	
C201	ECJ2FB1H473K	0.047	
C202	ECJ2VB1H102K	0.001	
C203	ECKK3D221KB	220p	
C204	ECJ2VB1H103K	0.01	
C205	ECKR2H102KB	0.001	
C207	ECKK3D102KB	0.001	
C209	ECKR2H101KB5	100p	
		(FUSE)	
IP101	PFBAICPN38	FUSE	s △
		(RESISTORS)	
R101	PQ4R10XJ473	47k	s
R102	ERDS2TJ104	100k	
R104	ERDS2TJ103	10k	
R105	ERJ6ENF2003	200k	
R106	PQ4R10XJ103	10k	s
R107	ERDS2TJ103	10k	
R108	ERDS2TJ103	10k	
R109	ERDS2TJ272	2.7k	
R110	PQ4R10XJ103	10k	s
R111	PQ4R10XJ103	10k	s
R112	PQ4R10XJ103	10k	s
R113	ERJ6ENF1004	1M	
R114	PQ4R10XJ103	10k	s
R116	PQ4R10XJ272	2.7k	s
R117	PQ4R10XJ000	0	s
R118	PQ4R10XJ000	0	s
R119	PFRGH16A306N	30M	s
R120	ERDS2TJ152	1.5k	
R121	ERDS2TJ152	1.5k	
R123	ER0S2TKF8451	8.45k	
R124	ERJ6ENF1003	100k	
R125	PQ4R10XJ000	0	s
R126	PQ4R10XJ102	1k	s
R127	PFRGVR25J106	10M	s
R202	ERJ6ENF4872	48.7k	
R203	PQ4R10XJ102	1k	s
R204	ERDS2TJ473	47k	
R205	ERDS1TJ224	220k	
R206	ER0S2TKF4532	45.3k	s
R207	PFRGR25F1504	1.5M	s
R208	PFRGVR25J105	1M	s
R209	PFRGVR25J105	1M	s
R210	ERDS2TJ333	33k	
R211	PFRGR25F1005	10M	s
R212	PFRGVR25J105	1M	
R213	PFRGVR25J105	1M	
R214	PFRGVR25J106	10M	s
		(SWITCH)	
SW101	PFSEDE2LCJ33	SWITCH	s △
		(COILS)	
T101	ETB20DKA1	COIL	△
T201	ETB20DKD1	COIL	△

## 12.7. LOW VOLTAGE POWER SUPPLY BOARD PARTS

Ref. No.	Part No.	Part Name & Description	Remarks
PCB5	ETXKM450E5B	LOW VOLTAGE POWER BORD ASS'Y (RTL)	
		(ICs)	
IC101	PFVIFA5317P	IC	s
IC201	PFVIPQ05RD11	IC	s
		(TRANSISTORS)	
Q101	2SK2717	TRANSISTOR (SI)	
Q201	2SC1740S	TRANSISTOR (SI)	s
		(DIODES)	

Ref. No.	Part No.	Part Name & Description	Remarks
D101	PFVDLT1505	DIODE(SI)	S △
D102	PFVDLT1505	DIODE(SI)	S △
D103	PFVDLT1505	DIODE(SI)	S △
D104	PFVDLT1505	DIODE(SI)	S △
D105	PFVD05NU42	DIODE(SI)	S
D106	PFVDERA9102	DIODE(SI)	S
D108	PFVDERA9102	DIODE(SI)	S
D109	PSVD10ELS4	DIODE(SI)	S
D110	PFVDERA9102	DIODE(SI)	S
D201	PFVDYG901C2R	DIODE(SI)	S
D202	PFVD21DQ06	DIODE(SI)	S
ZD101	MA4300	ZENER DIODE	
ZD102	MA4180	ZENER DIODE	
ZD201	MA4062N	ZENER DIODE	
		(CONNECTORS)	
CN101	PQJP2D98Z	CONNECTOR, 2P	S
CN102	PQJP2D98Z	CONNECTOR, 2P	S
CN201	PFJP08B01Z	CONNECTOR, 8P	S
		(CAPACITORS)	
C101	ECQU2A224ML	0.22	
C102	ECQU2A224ML	0.22	
C103	PFCKDCS222MY	0.0022	S △
C104	PFCKDCS222MY	0.0022	S △
C105	PFCKDCD222MY	0.0022	S △
C106	PFCKLH2W560H	56P	S △
C107	ECQE6103	0.01	
C109	ECKN3A221KRP	220P	
C110	EEUFC1V390	39	
C111	ECQB1H102JF	0.001	
C112	ECQV1H224JZ	0.22	
C113	ECQB1H471JF	470p	
C115	ECQB1H103JF	0.01	
C116	ECQU2A104ML	0.1	△
C201	PFCKD2R102K	1000p	S
C202	EEUFC1V102	1000	
C204	EEUFC1C102	1000	
C206	EEUFC1A151	150	
C208	ECQV1H474JZ	0.47	
C212	ECQV1H474JZ	0.47	
		(COILS)	
L101	ELF15N010A	COIL	S △
L102	ELF15N010A	COIL	S △
L103	PQLQSTP03694	COIL	S △
L105	PQLE53	COIL	S
L202	PQLE53	COIL	S
		(PHOTO ELECTRIC TRANSDUCERS)	
PC101	0N3171S	PHOTO COUPLER	
PC102	PFVIS21ME6NY	PHOTO COUPLER	S △
PC103	0N3171S	PHOTO COUPLER	
		(RESISTORS)	
R101	ERDS1TJ105	1M	
R102	ERG2S5J104	100k	
R103	ERG2S5J221	220	
R104	ERDS2TJ472	4.7k	
R105	ERX2SJR33	0.33	
R106	ERDS2TJ823	82k	
R107	ERDS2TJ823	82k	
R110	ER0S2TKF2000	200	
R111	ERDS2TJ150	15	
R112	ERDS2TJ181	180	
R113	ERDS2TJ220	22	
R114	ERDS2TJ682	6.8k	
R115	ER0S2TKF1502	15k	
R116	ER0S2TKF1000	100	
R117	ERDS2TJ123	12k	
R119	PFRDRF16J331	330	S
R120	ERDS2TJ470	47	
R121	ERG1S5J121	120	
R122	ER0S2TKF1202	12k	
R203	ERDS2TJ272	2.7k	
R204	ERDS2TJ102	1k	
R205	ERDS2TJ472	4.7k	
R206	ERDS2TJ562	5.6k	

Ref. No.	Part No.	Part Name & Description	Remarks
R207	ERDS2TJ103	10k	
R208	ER0S2TKF6801	6.8k	
R209	ER0S2TKF1801	1.8k	
R212	ER0S2TKF3301	3.3k	
R213	ERDS2TJ221	220	
R214	ERDS2TJ102	1k	
R215	ERDS2TJ562	5.6k	
		(FUSES)	
F101	PFBA215315	FUSE	S △
F102	PFBA215005	FUSE	S △
		(TRANSFORMER)	
T101	ETB29AC1V8AD	TRANSFORMER	△
		(THERMISTOR)	
TH101	PFRTD207D8R0	THERMISTOR	S
		(VARISTOR)	
ZNR101	ERZVGAD751	VARISTOR	△
		(COMPONENTS PART)	
SCR101	PFXFTM1661SE	TRIAC	S △

## 12.8. EXIT SENSOR BOARD PARTS

Ref. No.	Part No.	Part Name & Description	Remarks
PCB6	PFLP1481MZ-B	EXIT SENSOR BOARD ASS'Y (RTL)	
		(PHOTO ELECTRIC TRANSDUCER)	
PS51	PFVIRM574SL	PHOTO SENSOR	S
		(CONNECTORS)	
CN51	PQJP03A21Z	CONNECTOR, 3P	S
CN52	PQJP5G43Y	CONNECTOR, 5P	S
		(CAPACITOR)	
C52	ECUV1H271KBV	270p	

## 12.9. DRUM AND TONER SENSOR BOARD PARTS

Ref. No.	Part No.	Part Name & Description	Remarks
PCB7	PFLP1481MZ-C	DRUM & TONER SENSOR BORD ASS'Y (RTL)	
		(IC)	
IC60	B4ABC0000001	IC	
		(CONNECTOR)	
CN60	PQJP4G30Z	CONNECTOR, 4P	S
		(SWITCH)	
SW60	PFSH1A005Z	SWITCH	S
		(CAPACITOR)	
C60	ECUV1C104ZFV	0.1	

## 12.10. VARISTOR BOARD PARTS

Ref. No.	Part No.	Part Name & Description	Remarks
PCB8	PFLP1481MZ-D	VARISTOR BOARD ASS'Y (RTL)	
		(VARISTOR)	
ZNR71	PFRV271NS05K	VARISTOR	

## 12.11. FIXTURES AND TOOLS

Ref. No.	Part No.	Part Name & Description	Remarks
EC1	PQZZ6K7Z	EXTENSION CORD, 6P	
EC2	PQZZ8K18Z	EXTENSION CORD, 8P	
EC3	PFZZ5K13Z	EXTENSION CORD, 5P	
EC4	PQZZ28F1Z	EXTENSION CORD, 28P	
EC5	PQZZ4K5Z	EXTENSION CORD, 4P	
EC6	PQZZ7K5Z	EXTENSION CORD, 7P	
EC7	PQZZ2K12Z	EXTENSION CORD, 2P	
EC8	PQZZ3K5Z	EXTENSION CORD, 3P	
EC9	PQZZ5K6Z	EXTENSION CORD, 5P	
EC10	PQZZ8K15Z	EXTENSION CORD, 8P	
	PFZZFL501M	TOOL FOR WRITING PROGRAM IN THE FLASH ROM.	

Ref. No.	Part No.	Part Name & Description	Remarks
	KM79811245C0	BASIC FACSIMILE TECHNIQUE (for training service technicians)	

**Note:**

Tools and Extension Cords are useful for servicing.  
(They make servicing easy.)