

PARTS CATALOG

imageRUNNER ADVANCE 450 0 Series (CEL)

<PREFACE>

This Parts Catalog contains listings of parts used. Diagrams are provided with the listings to aid the service technician in identifying clearly, the item to be ordered.

Whenever ordering parts, consult this Parts Catalog for all of the information pertaining to each item. Be sure to include, in the Parts Request, the full item description, the item part number, and the quantity.

The Canon logo is displayed in a bold, black, sans-serif font. The letter 'C' is significantly larger and more stylized than the other letters, which are in a standard weight. The letters are closely spaced together.

Index

SNL	Product Code No. /Serial No.
A1F	ASSEMBLY LOCATION DIAGRAM (WITHOUT ADF+IC CARD READER BOX)
A2	OPTION PARTS CATALOG LIST
001D	ACCESSORIES
100AQ	EXTERNAL COVERS, PANELS, ETC. (IR-ADV 4551i)
100AR	EXTERNAL COVERS, PANELS, ETC. (IR-ADV 4545i)
100AT	EXTERNAL COVERS, PANELS, ETC. (IR-ADV 4535i)
100AU	EXTERNAL COVERS, PANELS, ETC. (IR-ADV 4525i)
102	RIGHT DOOR ASSEMBLY
103B	MACHINE FRONT PLATE
104	INTERNAL COMPONENTS 1
105A	INTERNAL COMPONENTS 2 (IR-ADV 4551, 4545, 4535)
105B	INTERNAL COMPONENTS 2 (IR-ADV 4525)
106C	INTERNAL COMPONENTS 3 (W/O HEATER 4551)
106D	INTERNAL COMPONENTS 3 (W/O HEATER EXCEPT 4551)
107	INTERNAL COMPONENTS 4
108C	INTERNAL COMPONENTS 5 (WITHOUT ADF)
109C	MACHINE REAR PLATE 1 (230V MODEL WITHOUT HEATER)
110	MACHINE REAR PLATE 2
130C	CONTROL PANEL ASSEMBLY
140C	POWER CORD TERMINAL ASS'Y (230V EXCEPT IN)
250	MAIN DRIVE ASSEMBLY
260	PAPER PICK-UP DRIVE ASSEMBLY (UPPER) (EXCEPT 4551)
261	PAPER PICK-UP DRIVE ASSEMBLY (LOWER) (EXCEPT 4551)
262	PAPER PICK-UP DRIVE ASSEMBLY (4551)
263	DUPLEXING DRIVE ASSEMBLY
270	CARTRIDGE LEFT RAIL ASSEMBLY
271	CARTRIDGE RIGHT RAIL ASSEMBLY
272	BOTTLE DRIVE ASSEMBLY
280	FIRST DELIVERY DRIVE ASSEMBLY
310A	PAPER PICK-UP ASSEMBLY (UPPER) (EXCEPT CN)
311A	PAPER PICK-UP ASSEMBLY (LOWER) (EXCEPT CN)
312C	MULTI PAPER PICK-UP ASSEMBLY (EUR)
313	DUPLEXING FEED GUIDE ASSEMBLY
316	PRE-REGISTRATION GUIDE ASS'Y
320	TRANSFER PAPER FEED ASSEMBLY
330	DOOR ASSEMBLY, RIGHT LOWER
333	RIGHT LOWER INNER DOOR ASS'Y
350	FIRST PAPER DELIVERY ASSEMBLY
351	SECOND PAPER DELIVERY ASSEMBLY

Index

352	SECOND DELIVERY FRAME ASSEMBLY
460A	LASER SCANNER ASSEMBLY (IR-ADV 4525)
460B	LASER SCANNER ASSEMBLY (IR-ADV 4551, 4545, 4535)
620	HOPPER ASSEMBLY
640	DEVELOPING ASSEMBLY
770	WASTE TONER BOX ASSEMBLY
810B	FIXING ASSEMBLY (230V IR-ADV 4551)
810E	FIXING ASSEMBLY (230V EXCEPT IR-ADV 4551)
815	DELIVERY LOWER GUIDE ASSEMBLY
816	DELIVERY UPPER GUIDE ASSEMBLY
900A	CONTROLLER BOX ASSEMBLY (MODEL WITHOUT FAX)
910A	MAIN CONTROLLER PCB ASS'Y (IR-ADV 4551)
910B	MAIN CONTROLLER PCB ASS'Y (IR-ADV 4545)
910C	MAIN CONTROLLER PCB ASS'Y (IR-ADV 4535)
910D	MAIN CONTROLLER PCB ASS'Y (IR-ADV 4525)
920A	RISER PCB ASSEMBLY (IR-ADV 4551, 4545)
920B	RISER PCB ASSEMBLY (IR-ADV 4535, 4525)
930	ENGINE CONTROLLER PCB ASSEMBLY
980	HIGH VOLTAGE PCB ASSEMBLY
D11C	READER ASSEMBLY
D90	READER CONTROLLER PCB ASSEMBLY
E10	IC CARD READER BOX
H30	CASSETTE ASSEMBLY (UPPER)
H31	CASSETTE ASSEMBLY (LOWER)
ZZA	MECHANICAL STANDARD PARTS (HOW TO USE)
ZZB	MECHANICAL STANDARD PARTS (SCREWS)
ZZC	MECHANICAL STANDARD PARTS (BOLTS)
ZZD	MECHANICAL STANDARD PARTS (NUTS)
ZZE	MECHANICAL STANDARD PARTS (RETAINING RINGS)

Figure SNL Product Code No./Serial No.

	Product Code No.	Model Name	Remarks	Serial No.
1	F19-2491-000	imageRUNNER ADVANCE 4551i	WITHOUT ADF	UNT
2	F19-2591-000	imageRUNNER ADVANCE 4545i	WITHOUT ADF	UMZ
3	F19-2592-000	imageRUNNER ADVANCE 4535i	WITHOUT ADF	UMY,WTD
4	F19-2691-000	imageRUNNER ADVANCE 4525i	WITHOUT ADF	UMX

	中オーダー	製品名	備考	シリアル No.
1	F19-2491-000	imageRUNNER ADVANCE 4551i	ADFなし	UNT
2	F19-2591-000	imageRUNNER ADVANCE 4545i	ADFなし	UMZ
3	F19-2592-000	imageRUNNER ADVANCE 4535i	ADFなし	UMY,WTD
4	F19-2691-000	imageRUNNER ADVANCE 4525i	ADFなし	UMX

FIGURE & KEY NO.	PART NUMBER	RANK	QTY	DESCRIPTION	SERIAL NUMBER /REMARKS
SNL	NPN		RF	Product Code No./Serial No.	
1	F19-2491-000		1	imageRUNNER ADVANCE 4551i	UNT WITHOUT ADF
2	F19-2591-000		1	imageRUNNER ADVANCE 4545i	UMZ WITHOUT ADF
3	F19-2592-000		1	imageRUNNER ADVANCE 4535i	UMY,WTD WITHOUT ADF
4	F19-2691-000		1	imageRUNNER ADVANCE 4525i	UMX WITHOUT ADF

Figure A1F (1/6) ASSEMBLY LOCATION DIAGRAM (WITHOUT ADF+IC CARD READER BOX)

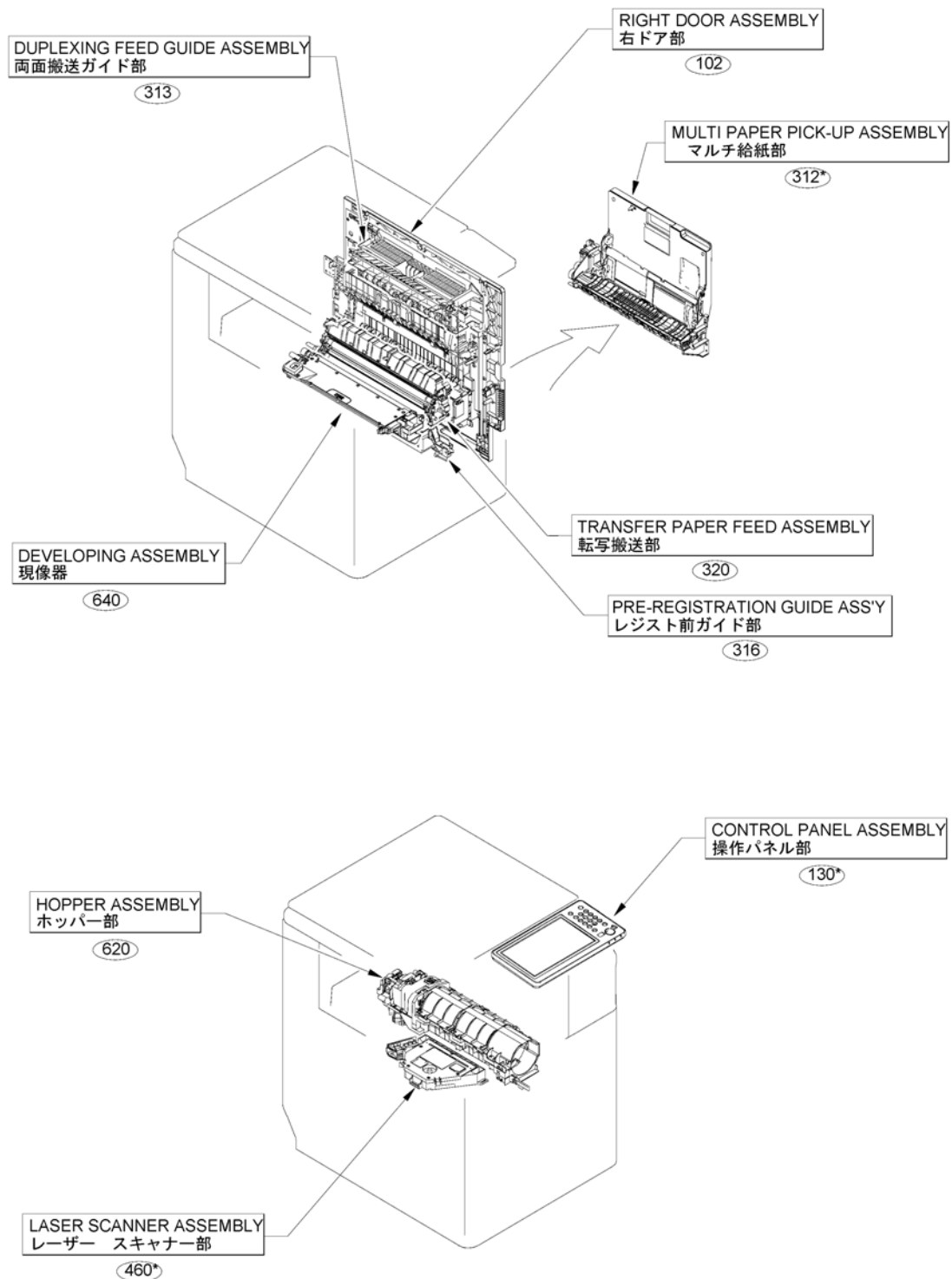


Figure A1F (2/6) ASSEMBLY LOCATION DIAGRAM (WITHOUT ADF+IC CARD READER BOX)

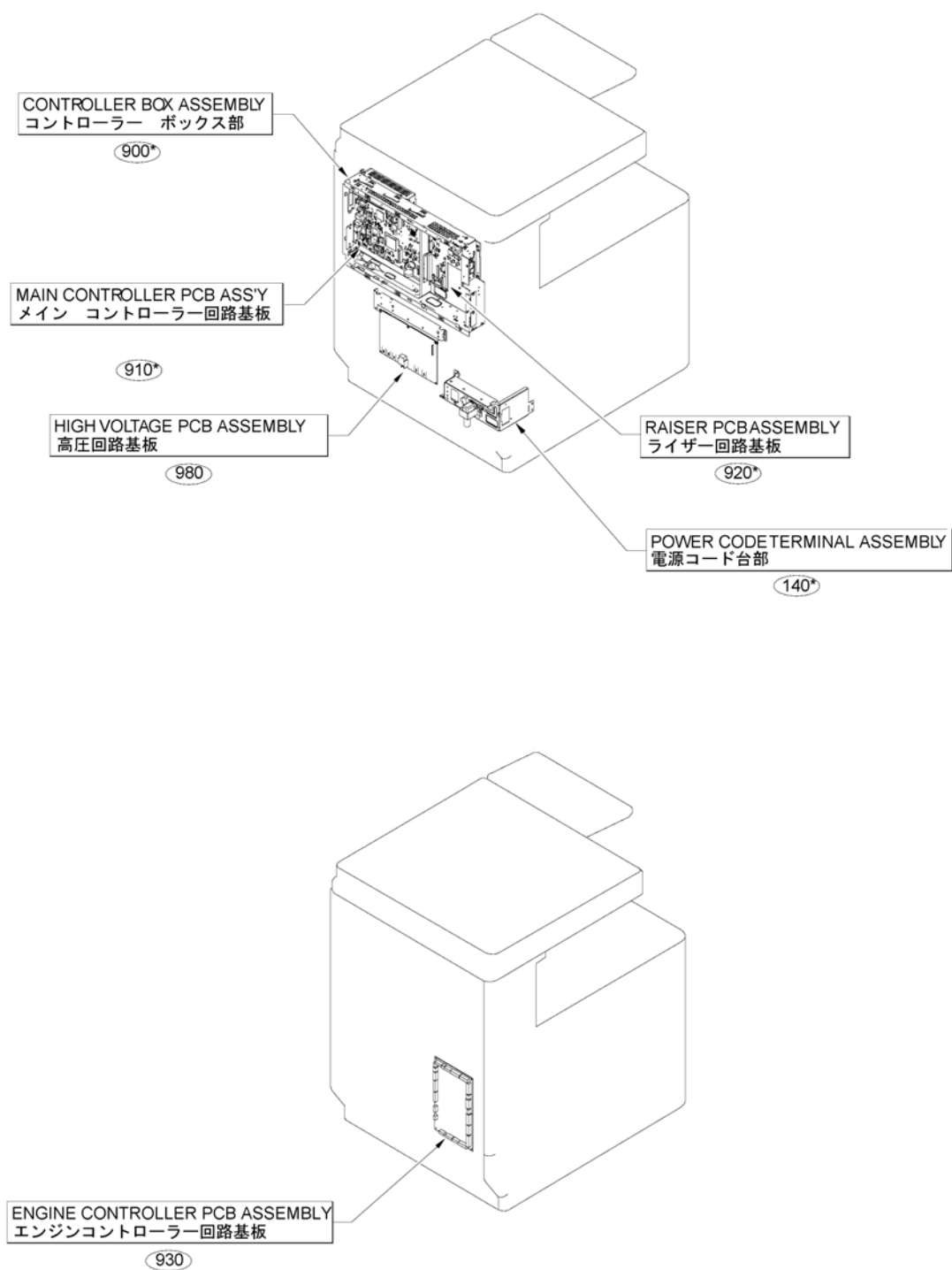


Figure A1F (3/6) ASSEMBLY LOCATION DIAGRAM (WITHOUT ADF+IC CARD READER BOX)

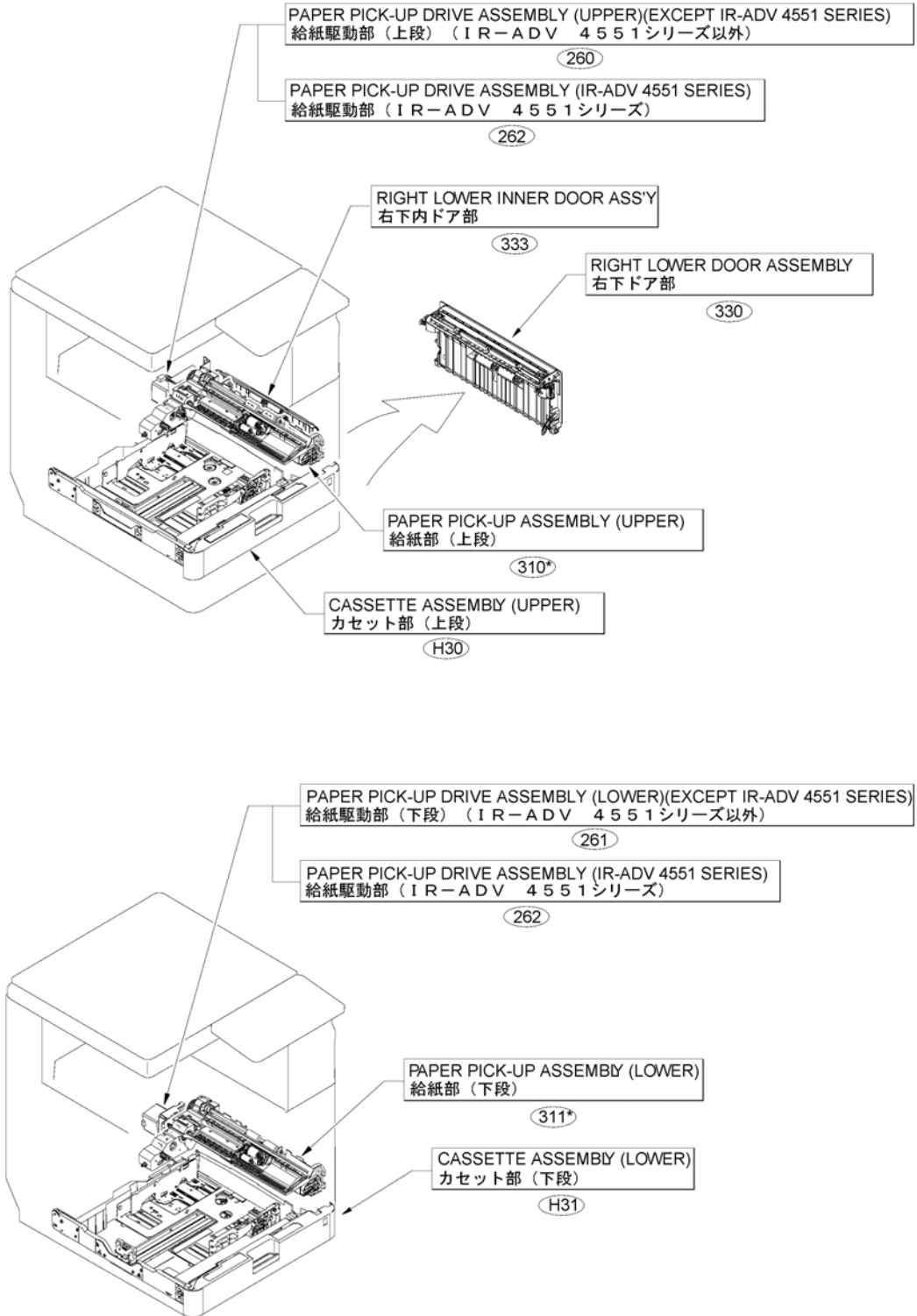


Figure A1F (4/6) ASSEMBLY LOCATION DIAGRAM (WITHOUT ADF+IC CARD READER BOX)

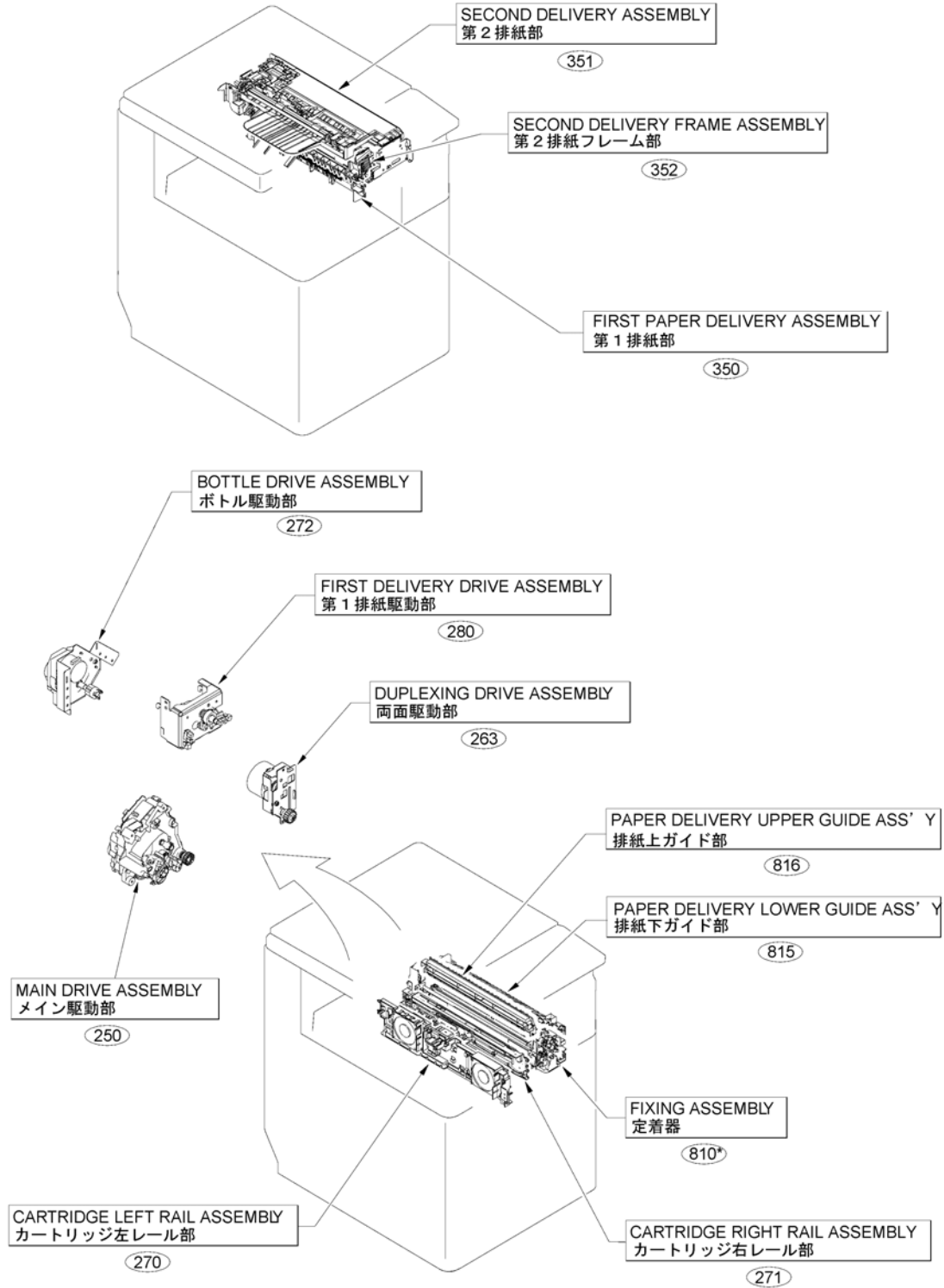


Figure A1F (5/6) ASSEMBLY LOCATION DIAGRAM (WITHOUT ADF+IC CARD READER BOX)

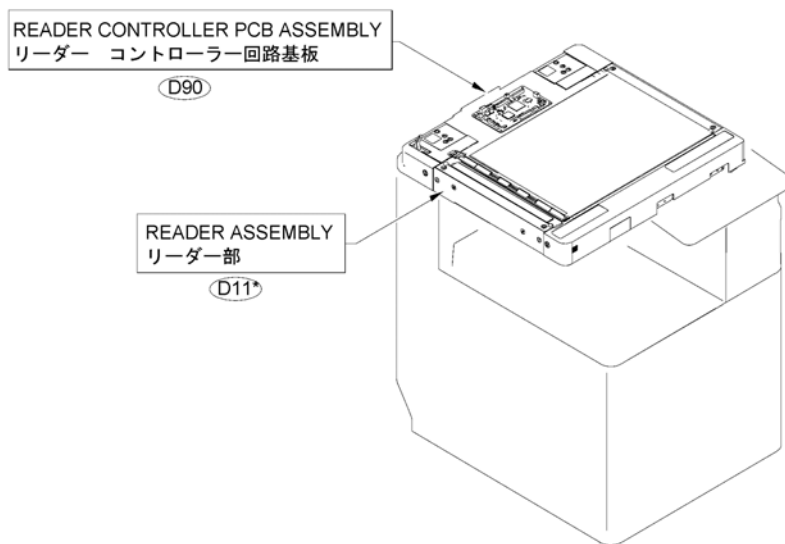


Figure A1F (6/6) ASSEMBLY LOCATION DIAGRAM (WITHOUT ADF+IC CARD READER BOX)

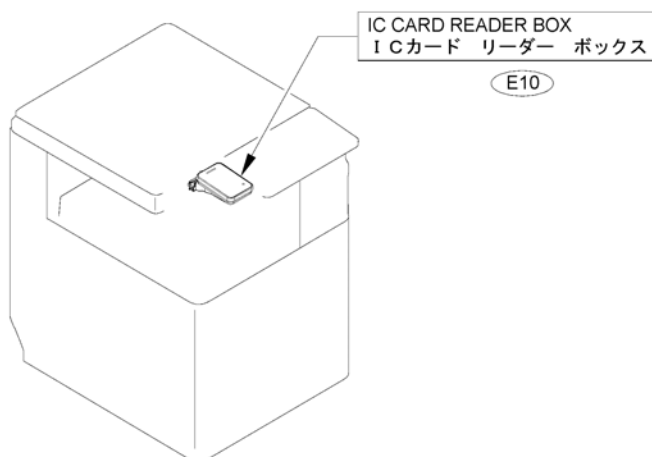


Figure A2 (1/2)OPTION PARTS CATALOG LIST

This is the table of the machine's options whose parts catalog is issued.
 本機のオプションで、パーツカタログが発行されている機種の一覧である。

No.	Model Name(English)	Model Name(Japanese)
1	ADF Access Handle-A1	A D Fアクセスハンドル・A 1
2	Booklet Finisher-Y1	中綴じフィニッシャー・Y 1
3	Buffer Pass Unit-N1	バッファパスユニット・N 1
4	Cassette Feeding Unit-AN1	2段カセットペディスタル・AN 1
5	Cassette Heater Unit-37	カセットヒーターユニット37
6	Cassette Heater Unit-41	(日本仕向けなし)
7	Connection Kit-A1 for Bluetooth LE	拡張キット・A 1 for B l u e t o o t h L E
8	Copy Card Reader Attachment-B5	コピーカードリーダー取付けキット・B 5
9	Copy Card Reader-F1	コピーカードリーダー・F 1
10	Copy Control Interface Kit-A1	コントロールインターフェースキット・A 1
11	DADF-AV1	(日本仕向けなし)
12	Document Scan Lock Kit-B1	イメージ解析ボード・B 1
13	Document Scan Lock Kit-B1	ジョブロック拡張キット・B 1
14	Envelope Feeder Attachment-D1	(日本仕向けなし)
15	FL Cassette-BC1	(日本仕向けなし)
16	FL Cassette-BD1	(日本仕向けなし)
17	HDD Mirroring Kit-J1	HDDミラーリングキット・J 1
18	Heater Kit-N1	ヒーター基板・N 1
19	High Capacity Cassette Feeding Unit-B1	大容量カセットペディスタル・B 1
20	IC Card Reader Box-C1	I Cカードリーダーボックス・C 1
21	Inner 2/3 Hole Puncher-C1	(日本仕向けなし)
22	Inner 2/F4 Hole Puncher-C1	(日本仕向けなし)
23	Inner 2Way Tray-L1	インナー2ウェイトレイ・L 1
24	Inner Finisher-J1	インナーフィニッシャー・J 1
25	Inner S4 Hole Puncher-C1	(日本仕向けなし)
26	NFC Kit-C1	N F Cキット・C 1
27	Paper Deck Heater Unit-C1	ペーパーデッキヒーターユニット・C 1
28	Paper Deck Unit-F1	ペーパーデッキユニット・F 1
29	Platen Cover Type W	原稿台カバー タイプW
30	Reader Heater Unit-J2	リーダーヒーターキット・J 2
31	Removable HDD Kit-AL1	リムーバブルHDDキット・AL 1
32	Serial Interface Kit-K3	シリアルインターフェースキット・K 3
33	Single Pass DADF-A1	(日本仕向けなし)
34	Stamp Unit-B1	スタンプユニット・B 1
35	Staple Finisher-Y1	ステイプルフィニッシャー・Y 1
36	Super G3 2nd Line Fax Board-AS1	G 3回線増設キット(2回線)・AS 1
37	Super G3 2nd Line Fax Board-AS2	(日本仕向けなし)
38	Super G3 3rd/4th Line Fax Board-AS1	G 3回線増設キット(3・4回線)・AS 1
39	Super G3 3rd/4th Line Fax Board-AS2	(日本仕向けなし)
40	Super G3 FAX Board-AS1	スーパーG 3 F A Xボード・AS 1
41	Super G3 FAX Board-AS2	(日本仕向けなし)
42	Utility Tray-B1	ユーティリティートレイ・B 1
43	Voice Guidance Kit-G1	(日本仕向けなし)
44	Voice Operation Kit-D1	音声操作キット・D 1
45	2.5inch/1TB HDD-P1	オプションHDD (2. 5 i n c h / 1 T B) ・ P 1
46	2.5inch/250GB HDD-N1	オプションHDD (2. 5 i n c h / 2 5 0 G B) ・ N 1

FIGURE & KEY NO.	PART NUMBER	RANK	QTY	DESCRIPTION	SERIAL NUMBER /REMARKS
001D	NPN		RF	ACCESSORIES	
1	FE4-2809-000		1	HOLDER, SERVICE BOOK	
2	FE3-9210-000		1	BOX, CLEANING CLOTH STOCK	
3	FE4-0152-000		1	TAPE, DUPLEXING	
4	FE4-7564-000		1	CLOTH, CLEANING	
5	FL1-2558-000		1	SEAL, BLANKING	
6	FE4-7201-000		1	LABEL, PAPER SIZE	
7	FE8-5466-000		2	CUSHION, BASE	
8	FL1-2374-000		1	SHEET, CARD READER	
9	FK4-4454-000		1	CD-ROM, SOFTWARE FOR UFR II	
10	FK4-4457-000		1	CD-ROM, USER SOFTWARE, PCL	

Figure 100AQ EXTERNAL COVERS, PANELS, ETC. (IR-ADV 4551i)

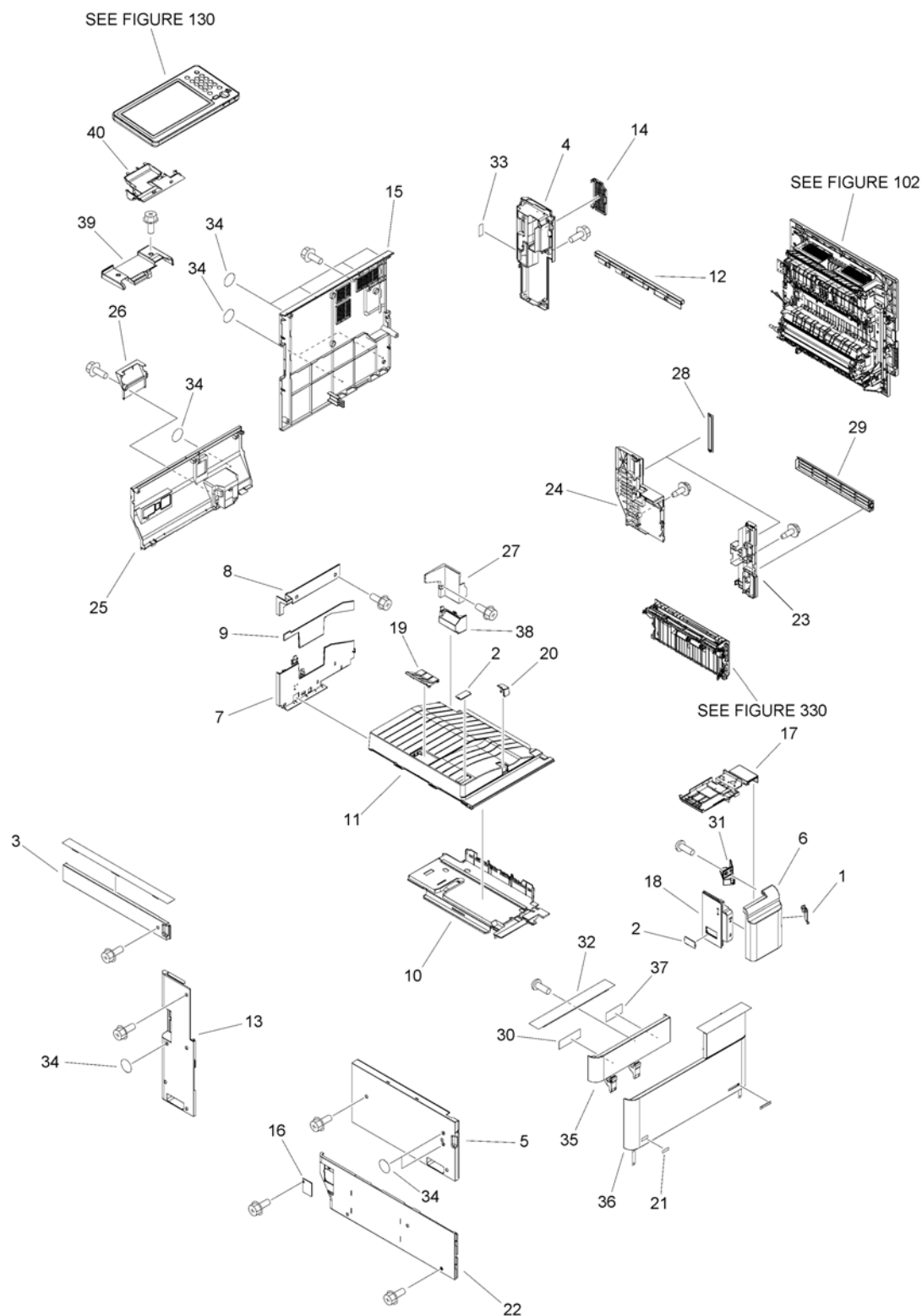


FIGURE & KEY NO.	PART NUMBER	RANK	QTY	DESCRIPTION	SERIAL NUMBER /REMARKS
100AQ	NPN		RF	EXTERNAL COVERS, PANELS, ETC.	IR-ADV 4551i
1	FC8-4000-000		1	COVER, MAIN SWITCH	
2	FE3-0907-000		2	COVER, FAX CONNECTOR	
3	FE4-6552-000		1	COVER, LEFT UPPER	
4	FE4-6559-000		1	COVER, REAR, RIGHT	
5	FE4-6560-000		1	COVER, LEFT	
6	FE4-6565-000		1	COVER, FRONT, UPPER	
7	FE4-6570-000		1	COVER, DEPTH, DELIVERY, BOTTOM	
8	FE4-6571-000		1	COVER, DEPTH, DELIVERY ,UPPER	
9	FE4-6572-000		1	COVER, DEPTH, DELIVERY, CENTER	
10	FE4-6573-000		1	TRAY, BASE, RIGHT	
11	FE4-6575-000		1	TRAY, PAPER DELIVERY	
12	FE4-6576-000		1	COVER, RIGHT DOOR, UPPER	
13	FE4-6577-000		1	COVER, REAR, LEFT	
14	FE4-6578-000		1	COVER, HDD DOOR	
15	FE4-6579-000		1	COVER, REAR	
16	FE4-6581-000		1	COVER, LATTICE	
17	FE4-6584-000		1	COVER, CONTROL PANEL, BOTTOM	
18	FE4-6585-000		1	COVER, RIGHT, UPPER, BEHIND	
19	FE4-6586-000		1	GUIDE, PAPER BACK END	
20	FE4-6587-000		1	COVER, DELIVERY TRAY, ACC	
21	FE4-7199-000		1	LABEL, TONER	
22	FE4-7204-000		1	PANEL, LEFT LOWER	
23	FE4-7205-000		1	PANEL, RIGHT LOWER, FRONT	
24	FE4-7206-000		1	PANEL, RIGHT LOWER, REAR	
25	FE4-7208-000		1	PANEL, REAR LOWER	
26	FE4-7209-000		1	PANEL, PROTECTIVE	
27	FE4-7210-000		1	COVER, PAPER DELIVERY, REAR	
28	FE4-7226-000		2	PANEL, HANDLE	
29	FE4-7237-000		1	PANEL, RIGHT CENTER	
30	FE4-7253-000		1	LABEL, GENUINE TONER	
31	FC0-2538-000		1	MOUNT, SWITCH COVER	
32	FL0-5736-000		1	COVER, TONER BOTTLE, TOP	
33	FE4-7268-000		1	LABEL, HDD	
34	FL0-5737-000		10	SEAL, BLANKING	
35	FL0-5744-000		1	COVER, TONER BOTTLE	
36	FM1-J167-000		1	FRONT DOOR UNIT	
37	FE4-7256-000		1	LABEL, TONER TYPE	
38	FM1-J192-000		1	COVER, PAPER DELIVERY, REAR	
39	FE4-2811-000		1	COVER, ARM, UPPER	
40	FE8-4657-000		1	COVER, CONNECTOR	

Figure 100AR EXTERNAL COVERS, PANELS, ETC. (IR-ADV 4545i)

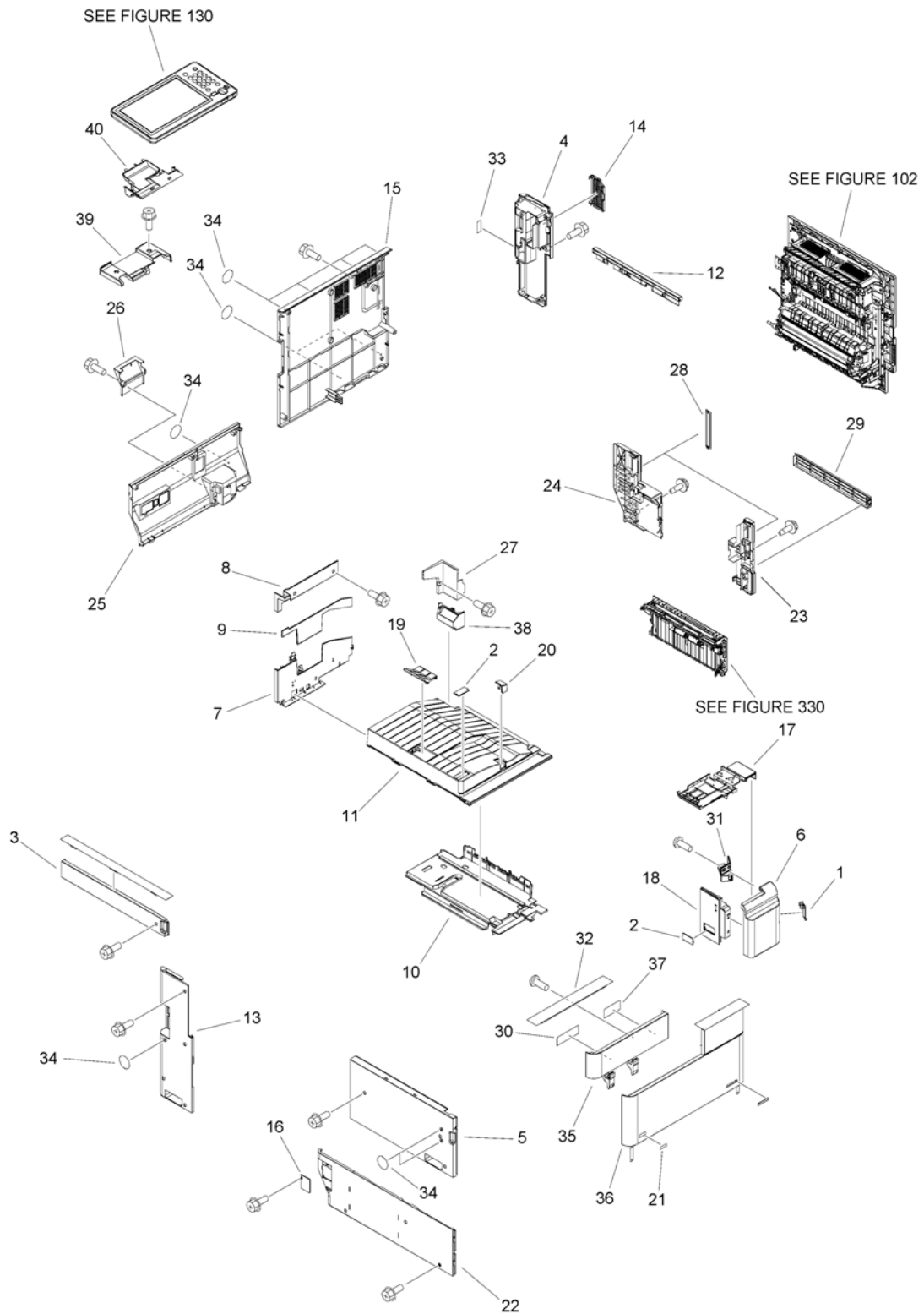


FIGURE & KEY NO.	PART NUMBER	RANK	QTY	DESCRIPTION	SERIAL NUMBER /REMARKS
100AR	NPN		RF	EXTERNAL COVERS, PANELS, ETC.	IR-ADV 4545i
1	FC8-4000-000		1	COVER, MAIN SWITCH	
2	FE3-0907-000		2	COVER, FAX CONNECTOR	
3	FE4-6552-000		1	COVER, LEFT UPPER	
4	FE4-6559-000		1	COVER, REAR, RIGHT	
5	FE4-6560-000		1	COVER, LEFT	
6	FE4-6565-000		1	COVER, FRONT, UPPER	
7	FE4-6570-000		1	COVER, DEPTH, DELIVERY, BOTTOM	
8	FE4-6571-000		1	COVER, DEPTH, DELIVERY ,UPPER	
9	FE4-6572-000		1	COVER, DEPTH, DELIVERY, CENTER	
10	FE4-6573-000		1	TRAY, BASE, RIGHT	
11	FE4-6575-000		1	TRAY, PAPER DELIVERY	
12	FE4-6576-000		1	COVER, RIGHT DOOR, UPPER	
13	FE4-6577-000		1	COVER, REAR, LEFT	
14	FE4-6578-000		1	COVER, HDD DOOR	
15	FE4-6579-000		1	COVER, REAR	
16	FE4-6581-000		1	COVER, LATTICE	
17	FE4-6584-000		1	COVER, CONTROL PANEL, BOTTOM	
18	FE4-6585-000		1	COVER, RIGHT, UPPER, BEHIND	
19	FE4-6586-000		1	GUIDE, PAPER BACK END	
20	FE4-6587-000		1	COVER, DELIVERY TRAY, ACC	
21	FE4-7199-000		1	LABEL, TONER	
22	FE4-7204-000		1	PANEL, LEFT LOWER	
23	FE4-7205-000		1	PANEL, RIGHT LOWER, FRONT	
24	FE4-7206-000		1	PANEL, RIGHT LOWER, REAR	
25	FE4-7208-000		1	PANEL, REAR LOWER	
26	FE4-7209-000		1	PANEL, PROTECTIVE	
27	FE4-7210-000		1	COVER, PAPER DELIVERY, REAR	
28	FE4-7226-000		2	PANEL, HANDLE	
29	FE4-7237-000		1	PANEL, RIGHT CENTER	
30	FE4-7253-000		1	LABEL, GENUINE TONER	
31	FC0-2538-000		1	MOUNT, SWITCH COVER	
32	FL0-5736-000		1	COVER, TONER BOTTLE, TOP	
33	FE4-7268-000		1	LABEL, HDD	
34	FL0-5737-000		10	SEAL, BLANKING	
35	FL0-5744-000		1	COVER, TONER BOTTLE	
36	FM1-J167-000		1	FRONT DOOR UNIT	
37	FE4-7256-000		1	LABEL, TONER TYPE	
38	FM1-J192-000		1	COVER, PAPER DELIVERY, REAR	
39	FE4-2811-000		1	COVER, ARM, UPPER	
40	FE8-4657-000		1	COVER, CONNECTOR	

Figure 100AT EXTERNAL COVERS, PANELS, ETC. (IR-ADV 4535i)

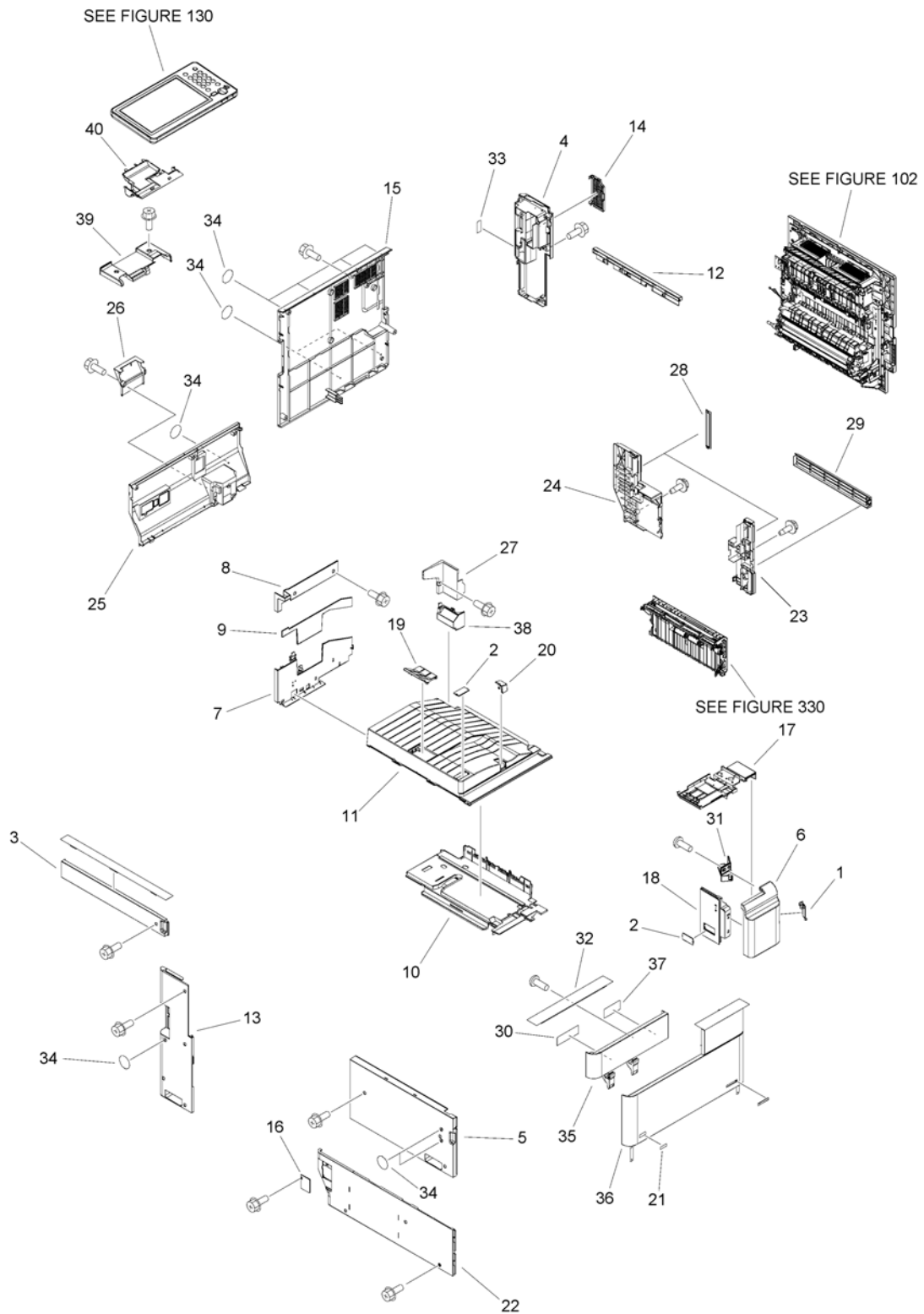


FIGURE & KEY NO.	PART NUMBER	RANK	QTY	DESCRIPTION	SERIAL NUMBER /REMARKS
100AT	NPN		RF	EXTERNAL COVERS, PANELS, ETC.	IR-ADV 4535i
1	FC8-4000-000		1	COVER, MAIN SWITCH	
2	FE3-0907-000		2	COVER, FAX CONNECTOR	
3	FE4-6552-000		1	COVER, LEFT UPPER	
4	FE4-6559-000		1	COVER, REAR, RIGHT	
5	FE4-6560-000		1	COVER, LEFT	
6	FE4-6565-000		1	COVER, FRONT, UPPER	
7	FE4-6570-000		1	COVER, DEPTH, DELIVERY, BOTTOM	
8	FE4-6571-000		1	COVER, DEPTH, DELIVERY ,UPPER	
9	FE4-6572-000		1	COVER, DEPTH, DELIVERY, CENTER	
10	FE4-6573-000		1	TRAY, BASE, RIGHT	
11	FE4-6575-000		1	TRAY, PAPER DELIVERY	
12	FE4-6576-000		1	COVER, RIGHT DOOR, UPPER	
13	FE4-6577-000		1	COVER, REAR, LEFT	
14	FE4-6578-000		1	COVER, HDD DOOR	
15	FE4-6579-000		1	COVER, REAR	
16	FE4-6581-000		1	COVER, LATTICE	
17	FE4-6584-000		1	COVER, CONTROL PANEL, BOTTOM	
18	FE4-6585-000		1	COVER, RIGHT, UPPER, BEHIND	
19	FE4-6586-000		1	GUIDE, PAPER BACK END	
20	FE4-6587-000		1	COVER, DELIVERY TRAY, ACC	
21	FE4-7199-000		1	LABEL, TONER	
22	FE4-7204-000		1	PANEL, LEFT LOWER	
23	FE4-7205-000		1	PANEL, RIGHT LOWER, FRONT	
24	FE4-7206-000		1	PANEL, RIGHT LOWER, REAR	
25	FE4-7208-000		1	PANEL, REAR LOWER	
26	FE4-7209-000		1	PANEL, PROTECTIVE	
27	FE4-7210-000		1	COVER, PAPER DELIVERY, REAR	
28	FE4-7226-000		2	PANEL, HANDLE	
29	FE4-7237-000		1	PANEL, RIGHT CENTER	
30	FE4-7253-000		1	LABEL, GENUINE TONER	
31	FC0-2538-000		1	MOUNT, SWITCH COVER	
32	FL0-5736-000		1	COVER, TONER BOTTLE, TOP	
33	FE4-7268-000		1	LABEL, HDD	
34	FL0-5737-000		10	SEAL, BLANKING	
35	FL0-5744-000		1	COVER, TONER BOTTLE	
36	FM1-J167-000		1	FRONT DOOR UNIT	
37	FE4-7256-000		1	LABEL, TONER TYPE	
38	FM1-J192-000		1	COVER, PAPER DELIVERY, REAR	
39	FE4-2811-000		1	COVER, ARM, UPPER	
40	FE8-4657-000		1	COVER, CONNECTOR	

Figure 100AU EXTERNAL COVERS, PANELS, ETC. (IR-ADV 4525i)

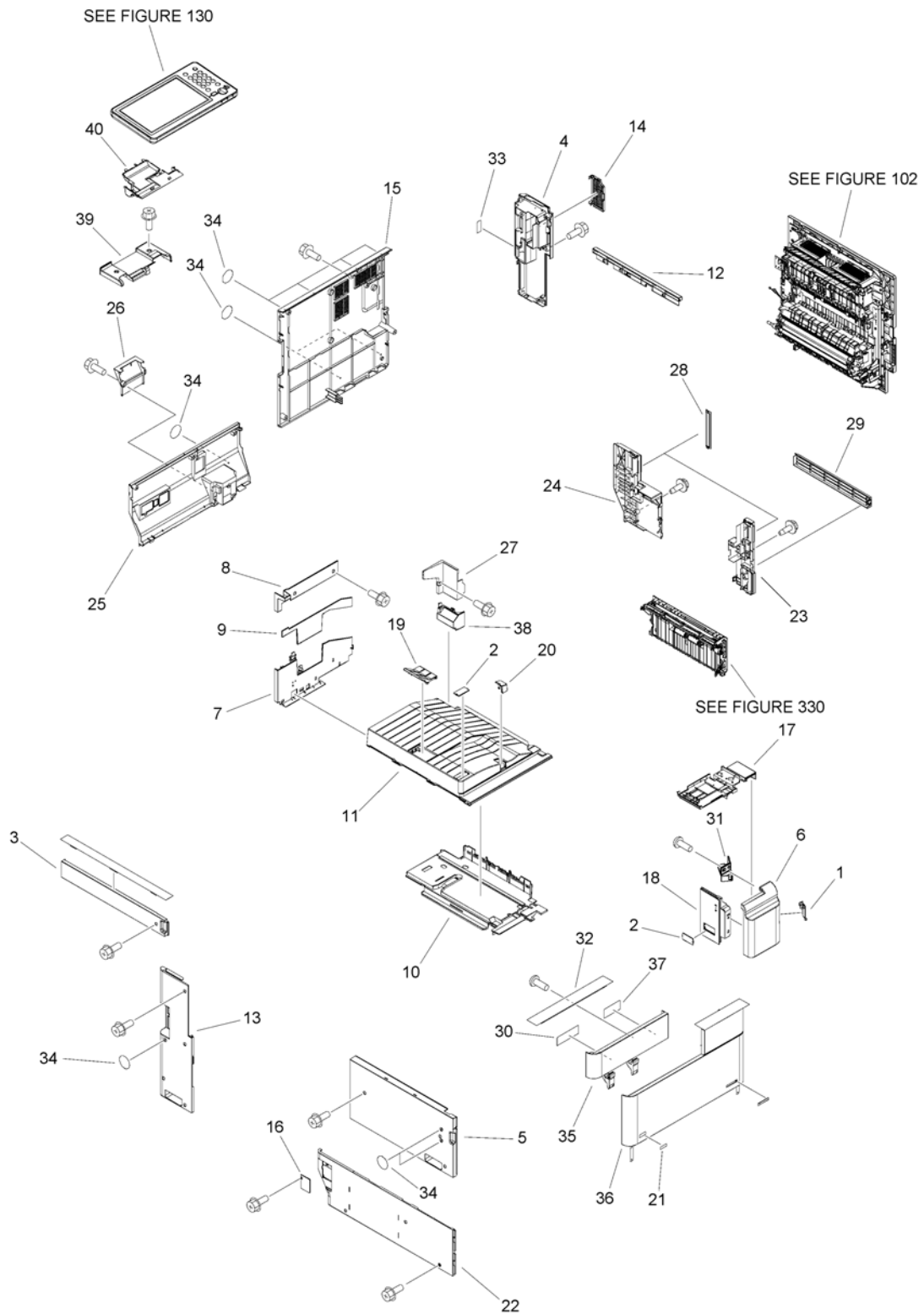


FIGURE & KEY NO.	PART NUMBER	RANK	QTY	DESCRIPTION	SERIAL NUMBER /REMARKS
100AU	NPN		RF	EXTERNAL COVERS, PANELS, ETC.	IR-ADV 4525i
1	FC8-4000-000		1	COVER, MAIN SWITCH	
2	FE3-0907-000		2	COVER, FAX CONNECTOR	
3	FE4-6552-000		1	COVER, LEFT UPPER	
4	FE4-6559-000		1	COVER, REAR, RIGHT	
5	FE4-6560-000		1	COVER, LEFT	
6	FE4-6565-000		1	COVER, FRONT, UPPER	
7	FE4-6570-000		1	COVER, DEPTH, DELIVERY, BOTTOM	
8	FE4-6571-000		1	COVER, DEPTH, DELIVERY ,UPPER	
9	FE4-6572-000		1	COVER, DEPTH, DELIVERY, CENTER	
10	FE4-6573-000		1	TRAY, BASE, RIGHT	
11	FE4-6575-000		1	TRAY, PAPER DELIVERY	
12	FE4-6576-000		1	COVER, RIGHT DOOR, UPPER	
13	FE4-6577-000		1	COVER, REAR, LEFT	
14	FE4-6578-000		1	COVER, HDD DOOR	
15	FE4-6579-000		1	COVER, REAR	
16	FE4-6581-000		1	COVER, LATTICE	
17	FE4-6584-000		1	COVER, CONTROL PANEL, BOTTOM	
18	FE4-6585-000		1	COVER, RIGHT, UPPER, BEHIND	
19	FE4-6586-000		1	GUIDE, PAPER BACK END	
20	FE4-6587-000		1	COVER, DELIVERY TRAY, ACC	
21	FE4-7199-000		1	LABEL, TONER	
22	FE4-7204-000		1	PANEL, LEFT LOWER	
23	FE4-7205-000		1	PANEL, RIGHT LOWER, FRONT	
24	FE4-7206-000		1	PANEL, RIGHT LOWER, REAR	
25	FE4-7208-000		1	PANEL, REAR LOWER	
26	FE4-7209-000		1	PANEL, PROTECTIVE	
27	FE4-7210-000		1	COVER, PAPER DELIVERY, REAR	
28	FE4-7226-000		2	PANEL, HANDLE	
29	FE4-7237-000		1	PANEL, RIGHT CENTER	
30	FE4-7253-000		1	LABEL, GENUINE TONER	
31	FC0-2538-000		1	MOUNT, SWITCH COVER	
32	FL0-5736-000		1	COVER, TONER BOTTLE, TOP	
33	FE4-7268-000		1	LABEL, HDD	
34	FL0-5737-000		10	SEAL, BLANKING	
35	FL0-5744-000		1	COVER, TONER BOTTLE	
36	FM1-J167-000		1	FRONT DOOR UNIT	
37	FE4-7256-000		1	LABEL, TONER TYPE	
38	FM1-J192-000		1	COVER, PAPER DELIVERY, REAR	
39	FE4-2811-000		1	COVER, ARM, UPPER	
40	FE8-4657-000		1	COVER, CONNECTOR	

Figure 102 RIGHT DOOR ASSEMBLY

NOTE : This assembly includes the assemblies shown in Figure 312, 313 and 320.

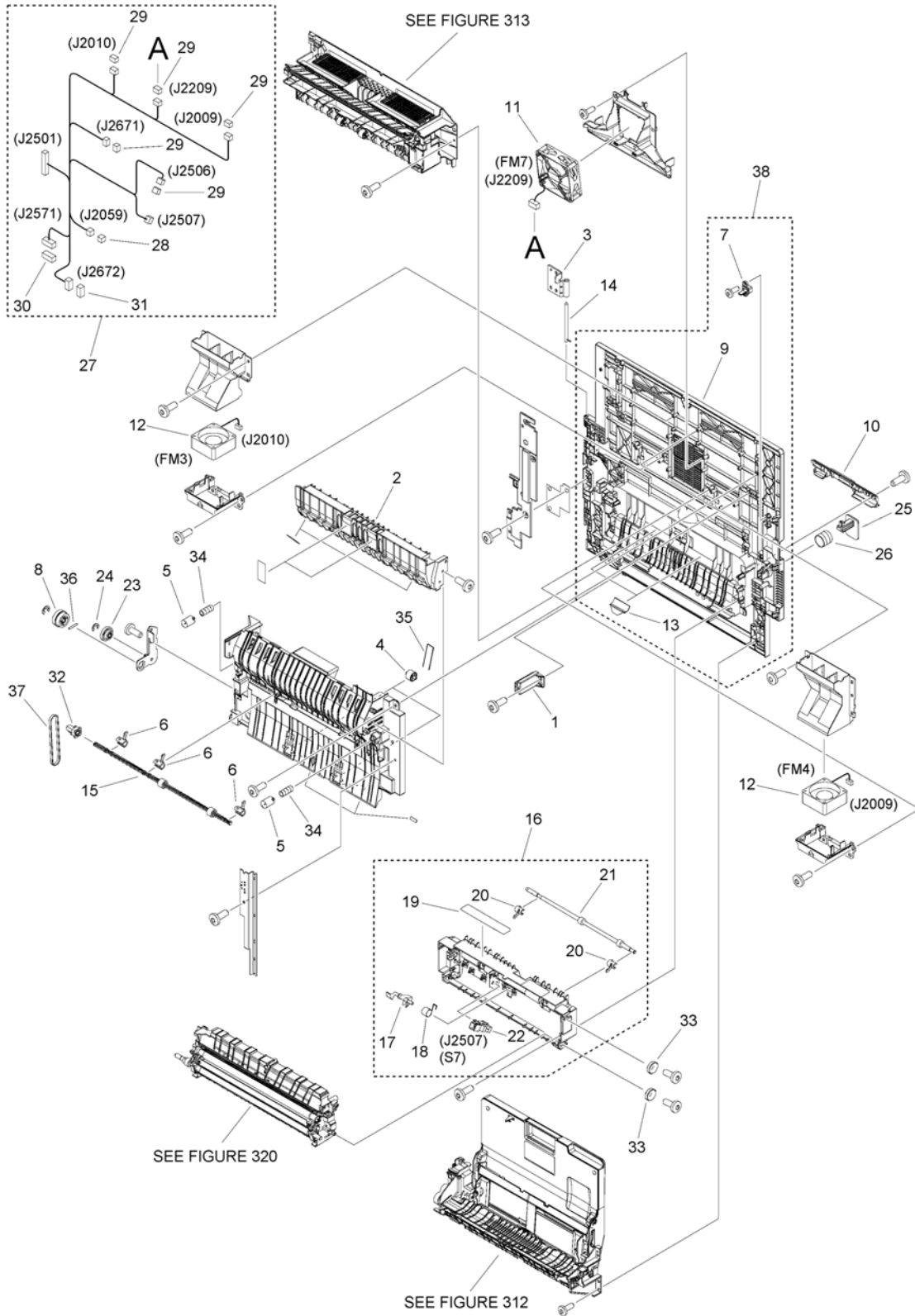


FIGURE & KEY NO.	PART NUMBER	RANK	QTY	DESCRIPTION	SERIAL NUMBER /REMARKS
102	FM1-J052-000		1	RIGHT DOOR ASSEMBLY	SEE NOTE
1	FC0-2458-010		1	GUIDE, AUXILIARY	
2	FC0-2489-000		1	GUIDE, DUPLEXING PAPER FEED	
3	FC0-2512-000		1	HINGE, RIGHT DOOR, UPPER	
4	FC5-1358-000		2	COLLAR, FIXING DELIVERY	
5	FC5-6014-000		2	CAP, SPRING	
6	FC9-0717-000		3	BUSHING	
7	FE4-0096-000		1	FLAG, MICROSWITCH	
8	FE4-6492-000		1	GEAR, 26T/26T	
9	FE4-7207-000		1	DOOR, RIGHT	
10	FE4-7224-000		1	COVER, MULTI ROLLER	
11	FK2-0360-000		1	FAN	FM7
12	FK4-3647-000		2	FAN	FM3,FM4
13	FL0-2763-000		2	SHEET, STATIC CHARGE	
14	FL2-3181-000		1	PIN, HINGE	
15	FL3-1448-000		1	ROLLER, DUPLEXING PAPER FEED	
16	FM1-J053-000		1	DUPLEXING PAPER FEED ASSEMBLY	
17	FC9-8965-010		1	FLAG, REVERSE DETECT	
18	FC9-8966-000		1	SPRING, TORSION	
19	FE2-0747-000		1	LABEL, HIGH TMP. CAUTION	
20	FE4-6508-000		2	BUSHING	
21	FL3-6203-000		1	ROLLER, DUPLEXING PAPER FEED	
22	WG8-5836-000		1	IC PHOTOINTERRUPTER, HYBRID	S7
23	FE4-6502-000		1	GEAR, 26T	
24	XD9-0136-000		1	RETAINING RING (E-TYPE)	
25	FE4-7225-000		1	BUTTON, RIGHT DOOR	
26	FU7-2998-000		1	SPRING, COMPRESSION	
27	FM1-N865-000		1	CABLE, DOOR, RIGHT	
28	VS1-7177-002		1	CONNECTOR, SNAP TIGHT, BK	
29	VS1-7177-003		5	CONNECTOR, SNAP TIGHT, BK	
30	VS1-7177-005		1	CONNECTOR, SNAP TIGHT, BK	
31	VS1-8959-004		1	CONNECTOR, SNAP TIGHT, 4P, W	
32	FU5-3796-000		1	PULLEY	
33	FU5-6014-000		2	COLLAR	
34	FU8-2798-000		2	SPRING, COMPRESSION	
35	FU8-2883-000		2	SPRING, RETAINING	
36	XD9-0289-000		1	PIN, PARALLEL	
37	XF2-1611-840		1	BELT, TIMING	
38	4Y8-3118-000		1	DOOR, RIGHT	

Figure 103B MACHINE FRONT PLATE

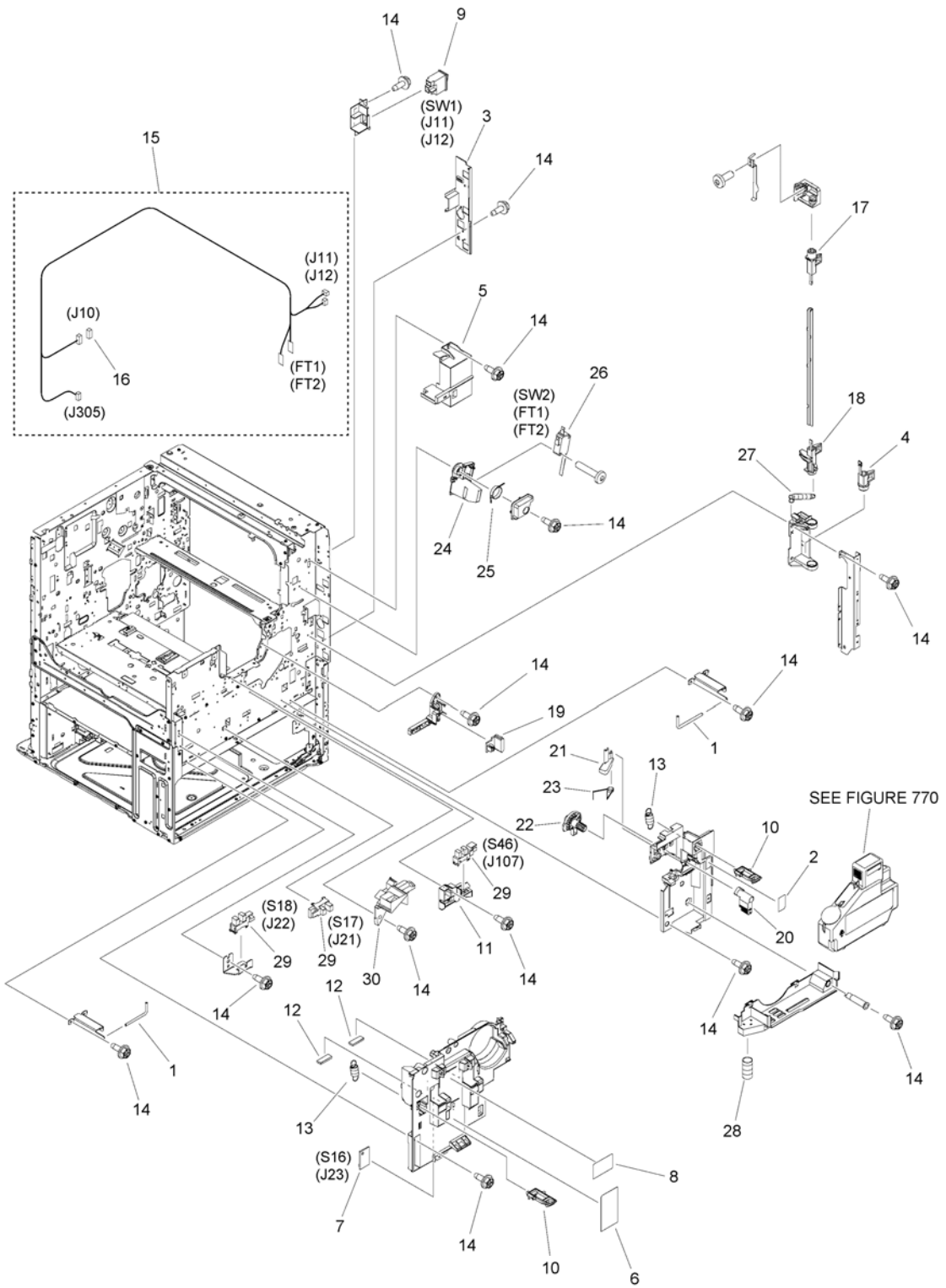


FIGURE & KEY NO.	PART NUMBER	RANK	QTY	DESCRIPTION	SERIAL NUMBER /REMARKS
103B	NPN		RF	MACHINE FRONT PLATE	
1	FA8-2446-000		2	PIN, HINGE	
2	FC9-0504-000		1	LABEL, WASTE TONER UNLOCK	
3	FC9-0574-000		1	COVER, INNER, RIGHT	
4	FC9-0900-000		1	HOOK, RIGHT DOOR, LOWER	
5	FC9-1706-000		1	COVER, INNER, RIGHT UPPER	
6	FE4-7275-000		1	LABEL, LASER CAUTION	
7	WP2-5410-000		1	SENSOR, HUMIDITY	S16
8	FE4-7257-000		1	LABEL, TONER SHAKE	
9	FK3-2835-000		1	SWITCH, MAIN POWER SUPPLY	SW1
10	FC9-1698-000		2	HOOK, FRONT DOOR	
11	FE4-6874-000		1	MOUNT, TONER SENSOR, FR COVER	
12	FL0-5730-000		2	SEAL, COVER, INNER	
13	FU7-2996-000		2	SPRING, TENSION	
14	XA9-1567-000		15	SCREW, RS, M3X8.5	
15	FM1-N914-000		1	CABLE, INTERLOCK SWITCH	
16	VS1-7177-004		1	CONNECTOR, SNAP TIGHT, BK	
17	FC9-0898-000		1	HOOK, RIGHT DOOR, UPPER	
18	FC9-0899-000		1	HOOK, RIGHT DOOR, CENTER	
19	FM4-1101-000		1	CONTACT PCB ASSEMBLY	
20	FC9-0502-000		1	LEVER, BOTTLE EXCHANGE	
21	FC9-0503-000		1	LEVER, HANDLE LOCK	
22	FC9-7708-000		1	GEAR, 7T	
23	FU7-2912-000		1	SPRING, TORSION	
24	FC9-1701-000		1	HOLDER, INTERLOCK	
25	FU7-2997-000		1	SPRING, TORSION	
26	WC4-5242-000		1	SWITCH, MICRO	SW2
27	FU6-2194-000		1	SPRING, TENSION	
28	FU7-2911-000		1	SPRING, COMPRESSION	
29	WG8-5836-000		3	IC PHOTOINTERRUPTER, HYBRID	S17, S18, S46
30	FE4-6878-000		1	COVER, DEVELOPING	

FIGURE & KEY NO.	PART NUMBER	RANK	QTY	DESCRIPTION	SERIAL NUMBER /REMARKS
104	NPN		RF	INTERNAL COMPONENTS 1	
1	FC0-2513-000		1	HINGE, RIGHT DOOR, LOWER	
2	FC8-6380-000		3	CLIP	
3	FC9-0545-000		1	BUSHING	
4	FC9-0562-010		2	LEVER, RIGHT	
5	FC9-0730-000		1	PLATE, GROUNDING	
6	FC9-0731-000		1	COVER, PLATE, GROUNDING	
7	FC9-0989-000		1	SPRING, CONTACT	
8	FC9-0990-000		1	SPRING, CONTACT	
9	FC9-0991-000		1	SPRING, CONTACT	
10	FC9-1680-000		1	COVER, RIGHT DOOR POSITIONING	
11	FE4-6484-000		1	CAM, HINGE, RIGHT DOOR	
12	FE4-6509-000		1	GUIDE, DUPLEX, AUXILIARY	
13	FE4-6711-000		1	SPRING, TORSION	
14	FE4-6712-000		1	SPRING, TORSION	
15	FE4-6715-000		1	SPACER	
16	FE4-6778-000		1	COVER, PAPER DELIVERY DRIVE	
17	FK2-9142-000		1	MOTOR, DC	M1
18	FK2-9153-000		3	CLUTCH	CL1,CL3,CL12
19	FL0-5697-000		1	BUSHING	
20	FM1-J189-000		1	GUIDE, PRE-TRANSFER, UPPER	
21	FM1-N911-000		1	CABLE, DOOR, RIGHT	
22	FM3-9250-000		1	ROLLER, REG. PRESSURE	
23	VS1-8412-015		1	CONNECTOR, SNAP TIGHT, BL	
24	VS1-8412-029		1	CONNECTOR, SNAP TIGHT, BL	
25	VS1-8959-010		1	CONNECTOR, WIRE TO WIRE	
26	VS1-8959-013		1	CONNECTOR, WIRE TO WIRE	
27	XA9-1567-000		15	SCREW,RS,M3X8	
28	XD9-0136-000		4	RING, E	
29	XD9-0137-010		1	RING, E	
30	XH9-0136-000		2	FOOT, RUBBER	

Figure 105A INTERNAL COMPONENTS 2 (IR-ADV 4551, 4545, 4535)

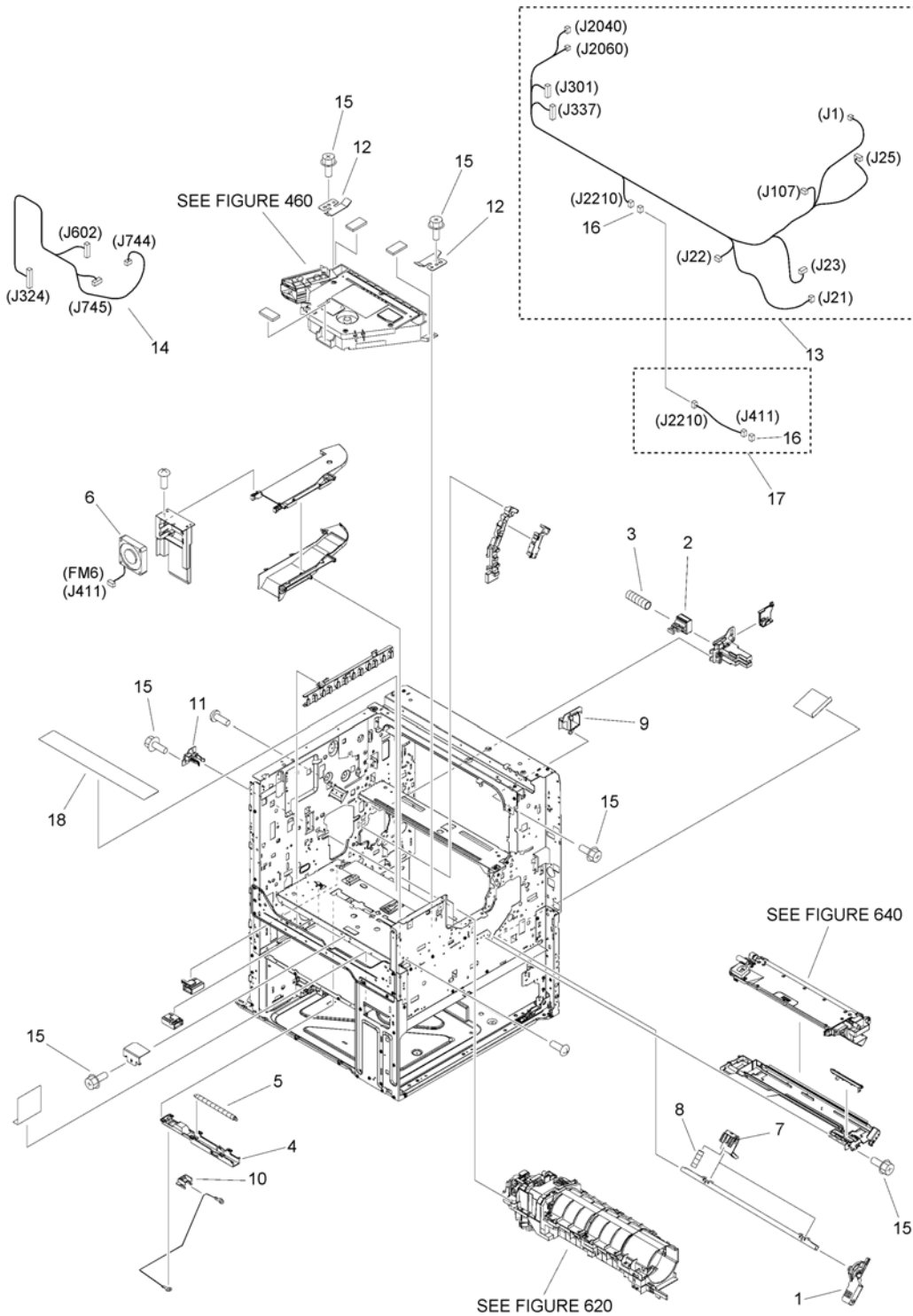


FIGURE & KEY NO.	PART NUMBER	RANK	QTY	DESCRIPTION	SERIAL NUMBER /REMARKS
105A	NPN		RF	MACHINE INTERNAL COMPONENTS 2	IR-ADV 4551,4545,4535 SERIES
1	FC9-0512-000		1	HANDLE, PRESSURE	
2	FC9-0533-000		1	SLIDER, LASER SHUTTER	
3	FU7-2913-000		1	SPRING, COMPRESSION	
4	FC9-1623-010		1	LINK, LASER SHUTTER	
5	FU7-2972-000		1	SPRING, TENSION	
6	FK2-0472-010		1	FAN	FM6
7	FC9-0609-000		2	CAM, DEVELOPING PRESSURE	
8	FU8-2801-000		2	SPRING, COMPRESSION	
9	FC0-2504-000		1	GUIDE, CABLE, FRONT	
10	FE2-0460-000		1	GUIDE, CABLE	
11	FE4-6870-000		1	BLOCK, NTD POSITIONING	
12	FC9-1622-000		2	SPRING, LEAF	
13	FM1-N913-000		1	CABLE, DC CONTROLLER, FRONT	
14	FM1-N874-000		1	CABLE, LASER	
15	XA9-1567-000		15	SCREW,RS,M3X8	
16	VS1-7177-003		2	CONNECTOR, SNAP TIGHT, BK	
17	FM1-C863-000		1	CABLE, COOLING FAN	
18	FE2-0507-000		1	SHEET, TONERCOVER	

FIGURE & KEY NO.	PART NUMBER	RANK	QTY	DESCRIPTION	SERIAL NUMBER /REMARKS
105B	NPN		RF	MACHINE INTERNAL COMPONENTS 2	IR-ADV 4525 SERIES
1	FC9-0512-000		1	HANDLE, PRESSURE	
2	FC9-0533-000		1	SLIDER, LASER SHUTTER	
3	FU7-2913-000		1	SPRING, COMPRESSION	
4	FC9-1623-010		1	LINK, LASER SHUTTER	
5	FU7-2972-000		1	SPRING, TENSION	
6	FK2-0472-010		1	FAN	FM6
7	FC9-0609-000		2	CAM, DEVELOPING PRESSURE	
8	FU8-2801-000		2	SPRING, COMPRESSION	
9	FC0-2504-000		1	GUIDE, CABLE, FRONT	
10	FE2-0460-000		1	GUIDE, CABLE	
11	FE4-6870-000		1	BLOCK, NTD POSITIONING	
12	FC9-1622-000		2	SPRING, LEAF	
13	FM1-N913-000		1	CABLE, DC CONTROLLER, FRONT	
14	FM1-N898-000		1	CABLE, LASER	
15	XA9-1567-000		15	SCREW,RS,M3X8	
16	VS1-7177-003		2	CONNECTOR, SNAP TIGHT, BK	
17	FM1-C863-000		1	CABLE, COOLING FAN	
18	FE2-0507-000		1	SHEET, TONERCOVER	

Figure 106C INTERNAL COMPONENTS 3 (W/O HEATER 4551)

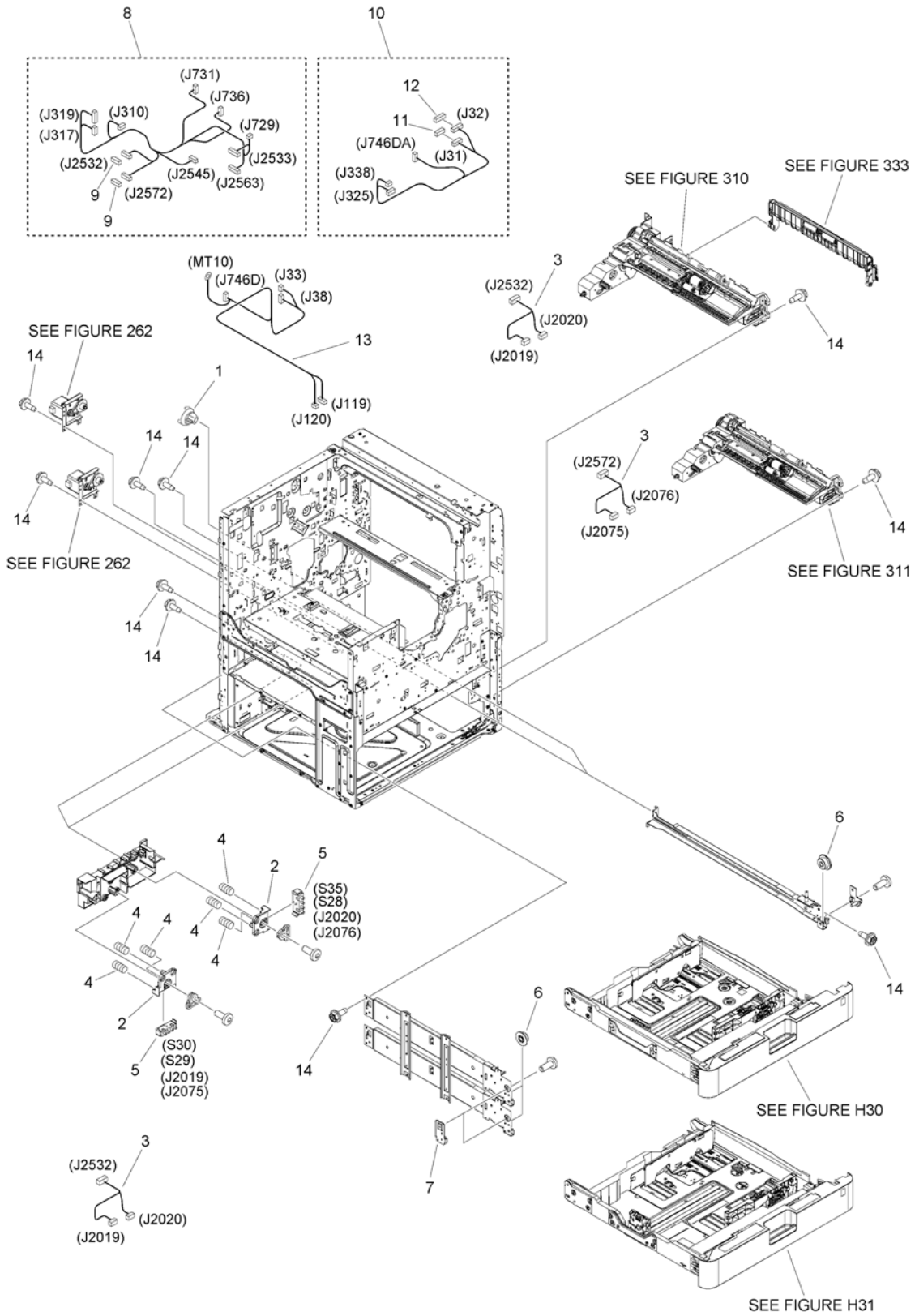


FIGURE & KEY NO.	PART NUMBER	RANK	QTY	DESCRIPTION	SERIAL NUMBER /REMARKS
106C	NPN		RF	INTERNAL COMPONENTS 3	WITHOUT HEATER 4551
1	FU5-1030-000		1	BUSHING	
2	FC8-2478-000		4	HOLDER, SWITCH	
3	FM4-2903-000		3	CABLE, SIZE DETECT	
4	FU7-2332-000		12	SPRING, COMPRESSION	
5	WC2-5761-000		4	SWITCH, DETECT PUSH	S28, S29, S30, S35
6	FC8-4999-000		4	ROLLER, RAIL	
7	FL3-1456-000		2	RAIL, ROLLER SHAFT PLATE, LEFT	
8	FM1-N912-000		1	CABLE, CASSETTE	
9	VS1-8959-010		2	CONNECTOR, WIRE TO WIRE	
10	FM1-N918-000		1	CABLE, OPTION CASSETTE	
11	VS1-8412-011		1	CONNECTOR, SNAP TIGHT, BL	
12	VS1-8412-015		1	CONNECTOR, SNAP TIGHT, BL	
13	FM1-N919-000		1	CABLE, AC DRIVER	
14	XA9-1567-000		15	SCREW, RS, M3X8.5	

FIGURE & KEY NO.	PART NUMBER	RANK	QTY	DESCRIPTION	SERIAL NUMBER /REMARKS
106D	NPN		RF	INTERNAL COMPONENTS 3	WITHOUT HEATER EXCEPT 4551
1	FU5-1030-000		1	BUSHING	
2	FC8-2478-000		4	HOLDER, SWITCH	
3	FM4-2903-000		3	CABLE, SIZE DETECT	
4	FU7-2332-000		12	SPRING, COMPRESSION	
5	WC2-5761-000		4	SWITCH, DETECT PUSH	S28, S29, S30, S35
6	FC8-4999-000		4	ROLLER, RAIL	
7	FL3-1456-000		2	RAIL, ROLLER SHAFT PLATE, LEFT	
8	FM1-N912-000		1	CABLE, CASSETTE	
9	VS1-8959-010		2	CONNECTOR, WIRE TO WIRE	
10	FM1-N918-000		1	CABLE, OPTION CASSETTE	
11	VS1-8412-011		1	CONNECTOR, SNAP TIGHT, BL	
12	VS1-8412-015		1	CONNECTOR, SNAP TIGHT, BL	
13	FM1-N919-000		1	CABLE, AC DRIVER	
14	XA9-1567-000		15	SCREW, RS, M3X8.5	

Figure 107 INTERNAL COMPONENTS 4

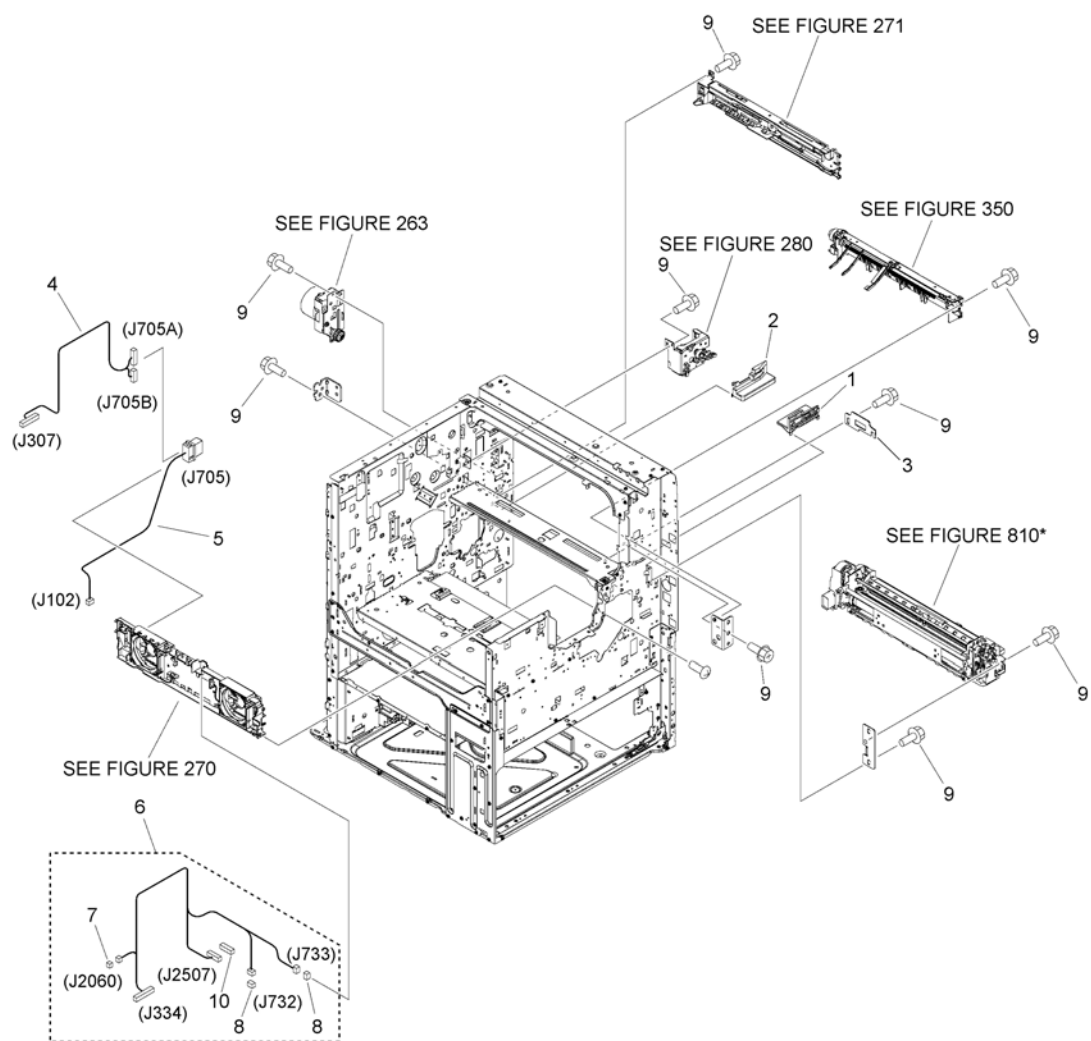


FIGURE & KEY NO.	PART NUMBER	RANK	QTY	DESCRIPTION	SERIAL NUMBER /REMARKS
107	NPN		RF	INTERNAL COMPONENTS 4	
1	FC9-0535-000		1	RAIL, FIXING, FRONT	
2	FC9-0536-000		1	RAIL, FIXING, REAR	
3	FC9-1608-000		1	PLATE, FIXING FIXED, MIDDLE	
4	FM1-N853-000		1	CABLE, FIXING CONTROL	
5	FM1-N854-000		1	CABLE, FIXING HEATER AC	
6	FM1-N872-000		1	CABLE, COOLING FAN	
7	VS1-7177-002		1	CONNECTOR, SNAP TIGHT, BK	
8	VS1-7177-003		2	CONNECTOR, SNAP TIGHT, BK	
9	XA9-1567-000		15	SCREW, RS, M3X8	
10	VS1-8959-007		1	CONNECTOR, SNAP TIGHT, 7P	

Figure 108C INTERNAL COMPONENTS 5 (WITHOUT ADF)

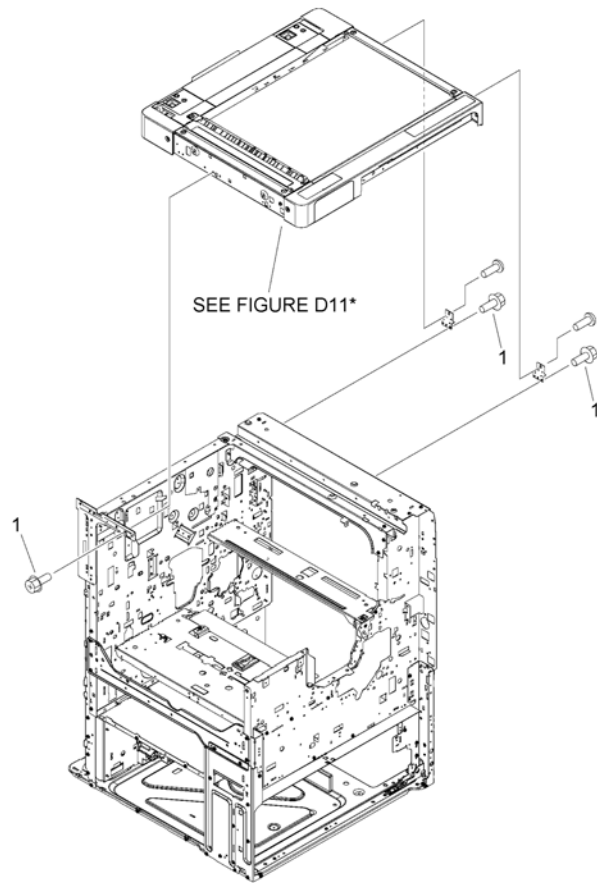


FIGURE & KEY NO.	PART NUMBER	R A N K	QTY	DESCRIPTION	SERIAL NUMBER /REMARKS
108C	NPN		RF	INTERNAL COMPONENTS 5 (WITHOUT ADF)	
1	XA9-1386-000		6	SCREW,RS,M3X8	

Figure 109C MACHINE REAR PLATE 1 (230V MODEL WITHOUT HEATER)

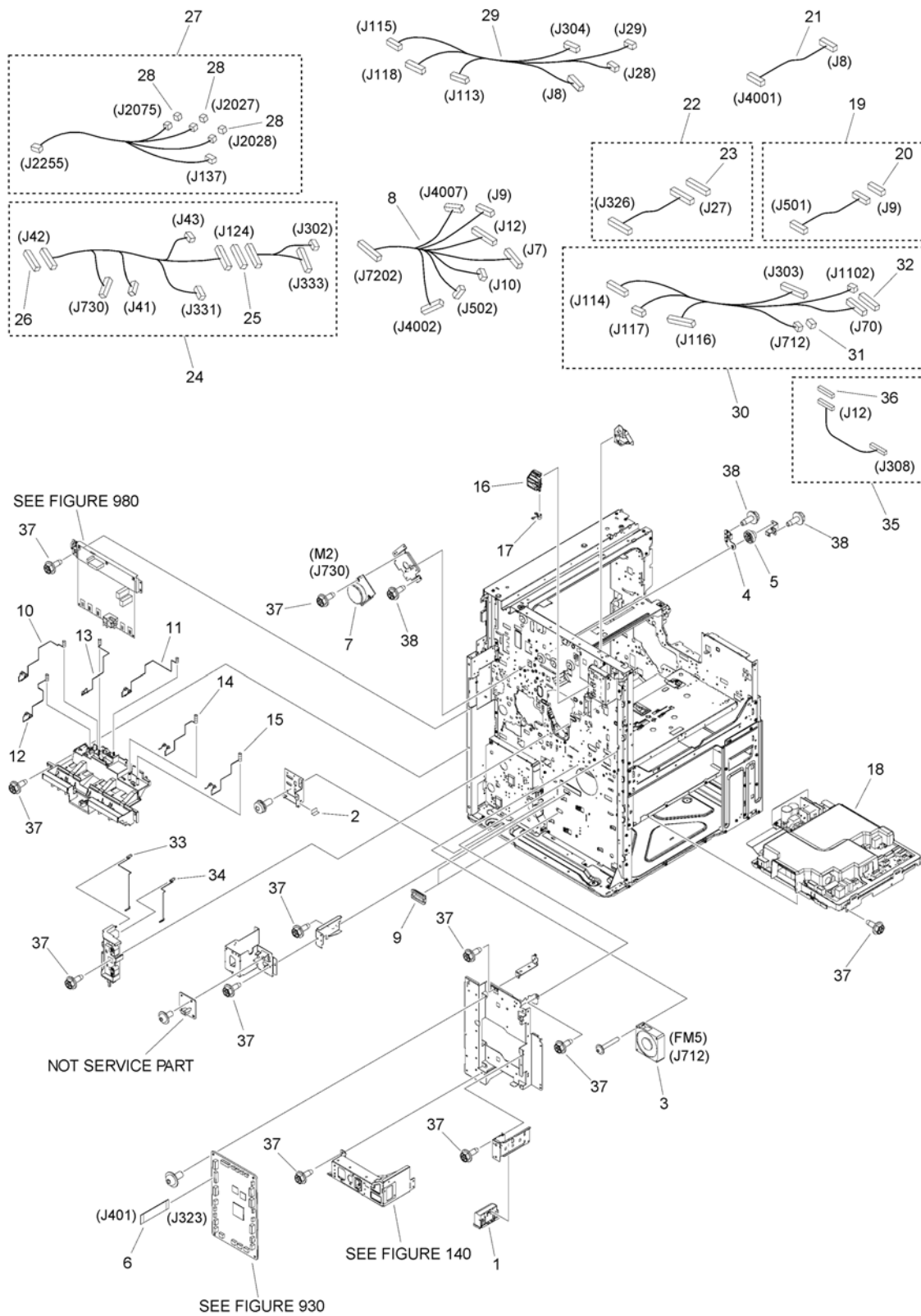


FIGURE & KEY NO.	PART NUMBER	RANK	QTY	DESCRIPTION	SERIAL NUMBER /REMARKS
109C	NPN		RF	MACHINE REAR PLATE 1	230V MODEL WITHOUT CASSETTE HEATER
1	FC6-4689-000		1	HANDLE	
2	FC9-8976-000		1	SHEET, CONNECTING PLATE	
3	FK2-0360-000		1	FAN	FM5
4	FE4-6884-000		1	RAIL, PRS RELEASE	
5	FE4-7123-000		1	GEAR, 63T/19T	
6	FK4-2670-000		1	CABLE, FFC, HVT	
7	FK4-2681-000		1	MOTOR, DC	M2
8	FM1-N920-000		1	CABLE, RISER SIGNAL	
9	FC7-2409-000		2	BUSHING	
10	FE4-6445-000		1	SPRING, CONTACT	
11	FE4-6446-000		1	SPRING, CONTACT	
12	FE4-6447-000		1	SPRING, CONTACT	
13	FE4-6448-000		1	SPRING, CONTACT	
14	FE4-6449-000		1	SPRING, CONTACT	
15	FE4-6450-000		1	SPRING, CONTACT	
16	FE4-6477-000		1	SUPPORT, CONTROLER BOX	
17	FE4-6478-000		1	SPRING, TORSION	
18	FM1-J175-000		1	POWER SUPPLY ASSEMBLY	
19	FM1-N850-000		1	CABLE, SOFT ID	
20	VS1-7177-007		1	CONNECTOR, 7P, FEMALE, BK	
21	FM1-N851-000		1	CABLE, AC CONTROL	
22	FM1-N878-000		1	CABLE, FINISHER	
23	VS1-8412-013		1	CONNECTOR, SNAP TIGHT, BL	
24	FM1-N917-000		1	CABLE, HOPPER CONNECTING	
25	VS1-8412-023		1	CONNECTOR, SNAP TIGHT, BL	
26	VS1-8959-012		1	CONNECTOR, WIRE TO WIRE, 12P	
27	FM1-N900-000		1	CABLE, MAIN FEED	
28	VS1-7177-002		3	CONNECTOR, SNAP TIGHT, BK	
29	FM1-N915-000		1	CABLE, AC	
30	FM1-N916-000		1	CABLE, AC SIGNAL	
31	VS1-7177-003		1	CONNECTOR, SNAP TIGHT, BK	
32	VS1-7177-011		1	CONNECTOR, SNAP TIGHT, 11P, BK	
33	FC9-0992-000		1	SPRING, CONTACT	
34	FC9-0993-000		1	SPRING, CONTACT	
35	FM1-N875-000		1	CABLE, RISER	
36	VS1-8412-027		1	CONNECTOR, SNAP TIGHT, BL	
37	XA9-1567-000		15	SCREW, RS, M3X8	
38	XA9-1386-000		8	SCREW, RS, M3X8	

Figure 110 MACHINE REAR PLATE 2

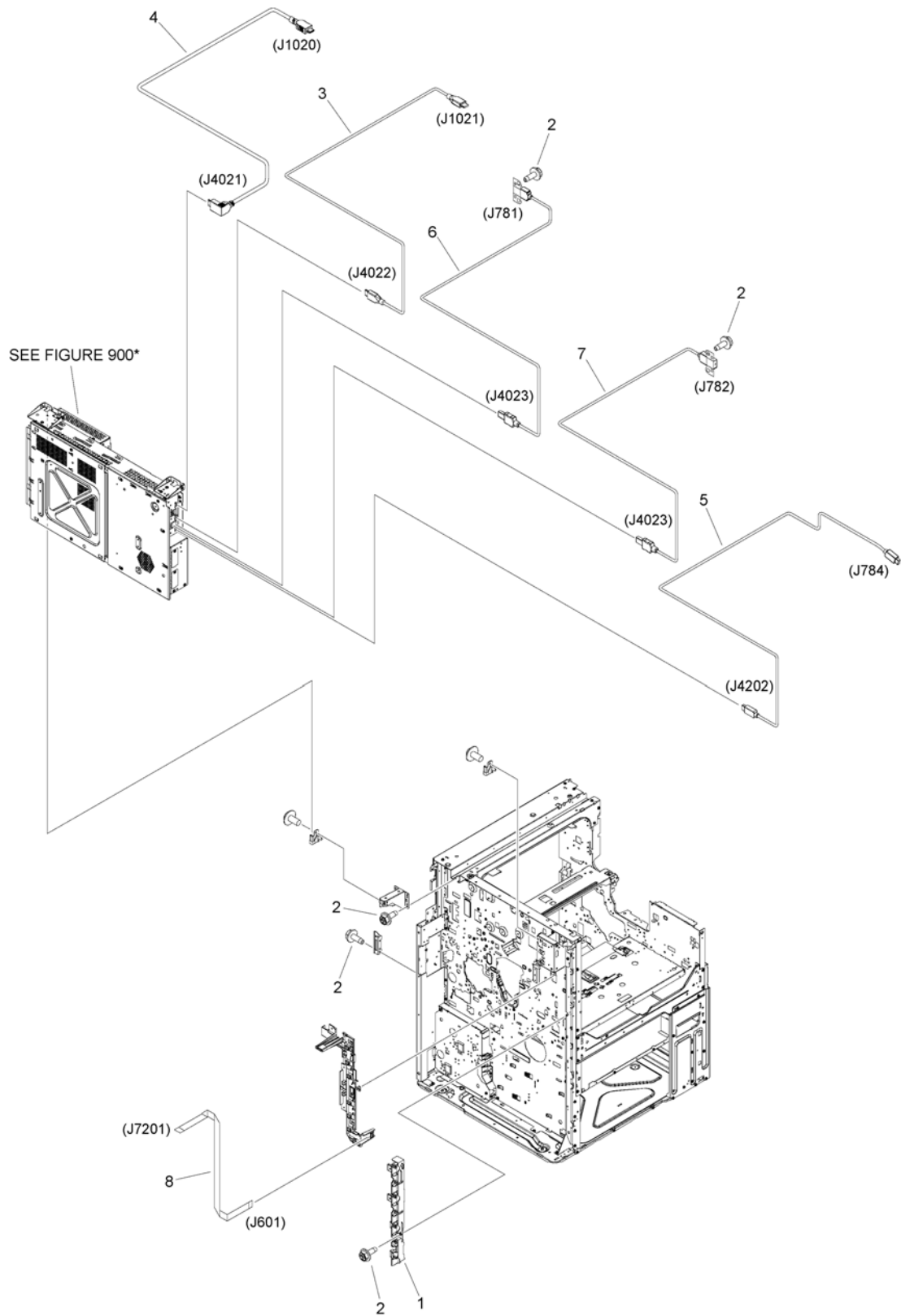


FIGURE & KEY NO.	PART NUMBER	RANK	QTY	DESCRIPTION	SERIAL NUMBER /REMARKS
110	NPN		RF	MACHINE REAR PLATE 2	
1	FC0-2507-000		1	GUIDE, CABLE, LEFT REAR	
2	XA9-1567-000		15	SCREW,RS,M3X8	
3	FK4-3961-000		1	CABLE, POWER, MICRO USB	
4	FK4-3962-000		1	CABLE, SIGNAL	
5	FK4-3963-000		1	CABLE, MINI USB	
6	FK4-3964-000		1	CABLE, USB	
7	FK4-3965-000		1	CABLE, USB DEVICE PORT	
8	FK4-2671-000		1	CABLE, FFC, LASER	

Figure 130C CONTROL PANEL ASSEMBLY

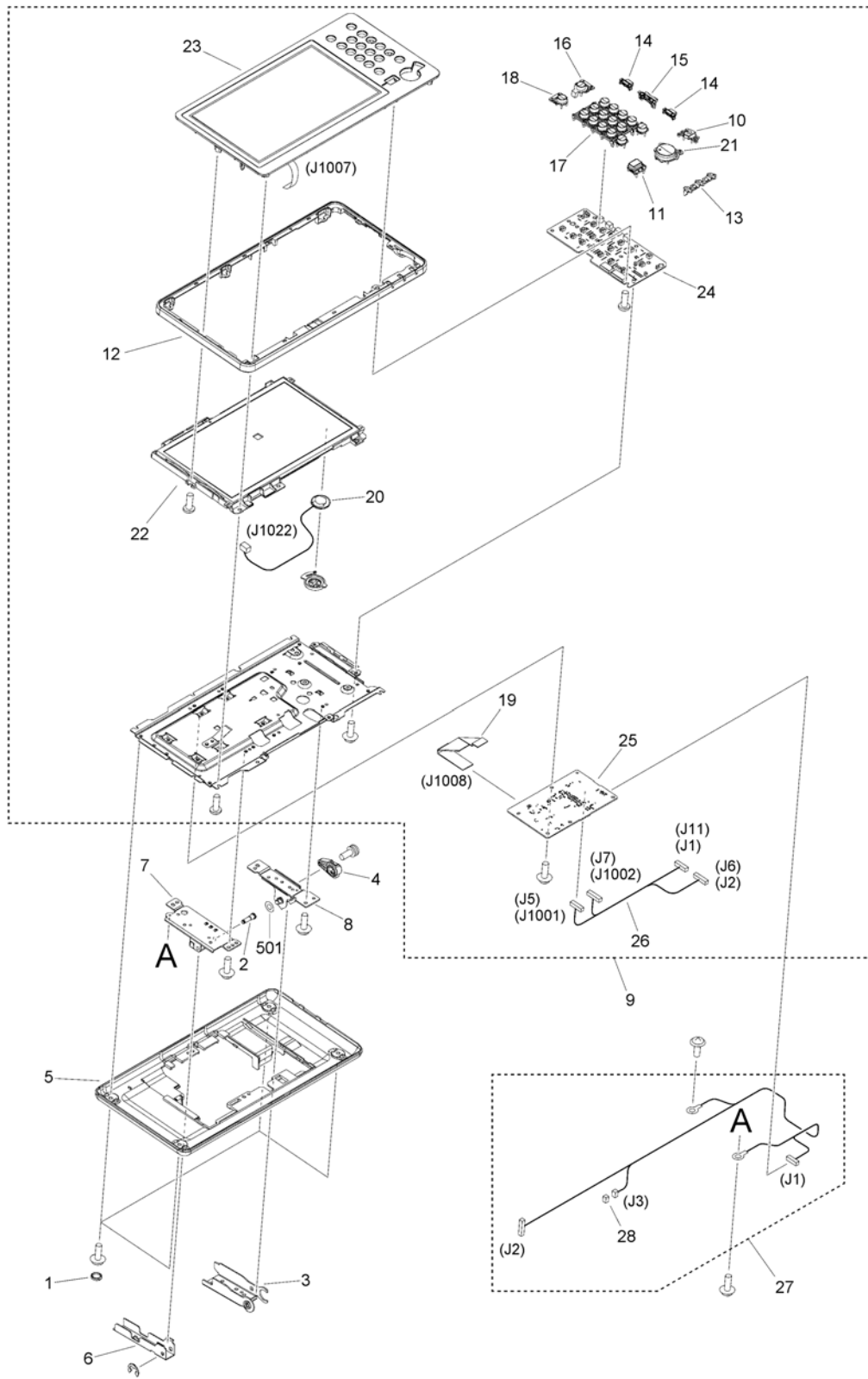


FIGURE & KEY NO.	PART NUMBER	RANK	QTY	DESCRIPTION	SERIAL NUMBER /REMARKS
130C	NPN		RF	CONTROL PANEL ASSEMBLY	
1	FE3-9169-000		4	CAP	
2	FE8-4737-000		1	HINGE, SHAFT	
3	FL1-2378-000		1	HINGE, RIGHT	
4	FE8-4662-000		1	SUPPORT, HINGE	
5	FE8-4656-000		1	COVER, LOWER	
6	FE8-4659-000		1	HINGE, LEFT	
7	FM1-P029-000		1	HINGE BASE ASSEMBLY, LEFT	
8	FM1-P030-000		1	HINGE BASE ASSEMBLY, RIGHT	
9	FM1-N418-000		1	CONTROL PANEL ASSEMBLY	
10	FE3-1334-000		1	KEY, STOP	
11	FE3-9931-000		1	KEY TOP, RESET	
12	FE4-1774-010		1	COVER, FRAME	
13	FE4-1787-000		1	GUIDE, LAMP LED	
14	FE4-1788-000		2	KEY TOP, SIDE	
15	FE4-1789-000		1	KEY TOP, VOLUME	
16	FE4-5111-000		1	KEY TOP, SLEEP	
17	FL1-2178-000		1	KEY TOP, NUMBERS	
18	FE4-5556-000		1	KEY TOP, SETTINGS/REGISTRATION	
19	FK4-2360-000		1	CABLE, FLEXIBLE FLAT	
20	FK4-2365-000		1	SPEAKER	
21	FL0-1151-000		1	KEY TOP, START	
22	FM1-N259-000		1	LCD UNIT	
23	FM1-N424-000		1	CONTROL PANEL UNIT	
24	FM1-X863-000		1	KEY TOP PCB ASSEMBLY	
25	FM1-X896-000		1	CPU PCB ASSEMBLY	
26	FM2-B801-000		1	CABLE, 10 KEY	
27	FM1-X829-000		1	CABLE, UI	
28	VS1-8959-003		1	CONNECTOR, SNAP TIGHT, 3P, W	
501	XD1-1108-233		1	WASHER,COP	

Figure 140C POWER CORD TERMINAL ASS'Y (230V EXCEPT IN)

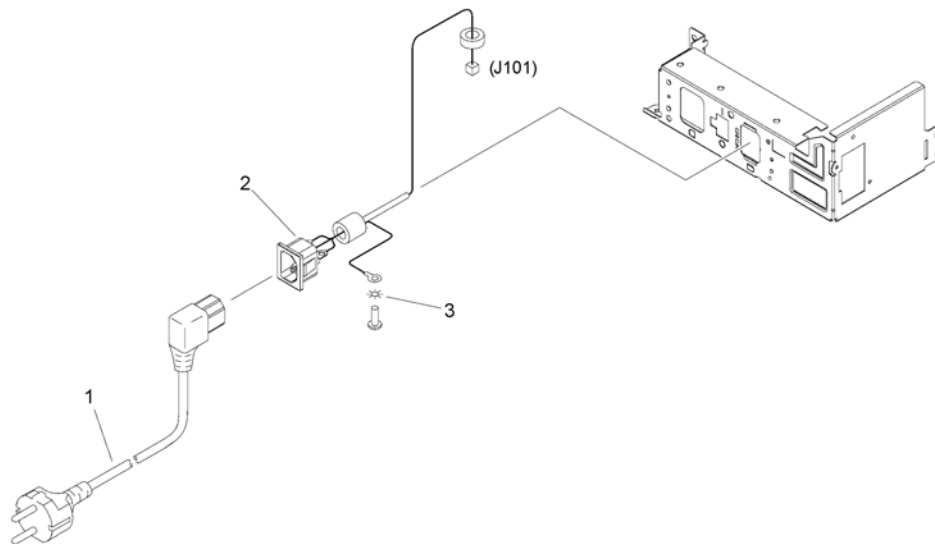


FIGURE & KEY NO.	PART NUMBER	RANK	QTY	DESCRIPTION	SERIAL NUMBER /REMARKS
140C	NPN		RF	POWER CORD TERMINAL ASS'Y	230V EXCEPT IN
1	FM2-4786-000		1	CORD, POWER	
2	FM4-7621-000		1	CABLE, AC INLET	
3	XD1-4200-402		1	WASHER, TOOTHED LOCK, M4	

Figure 250 MAIN DRIVE ASSEMBLY

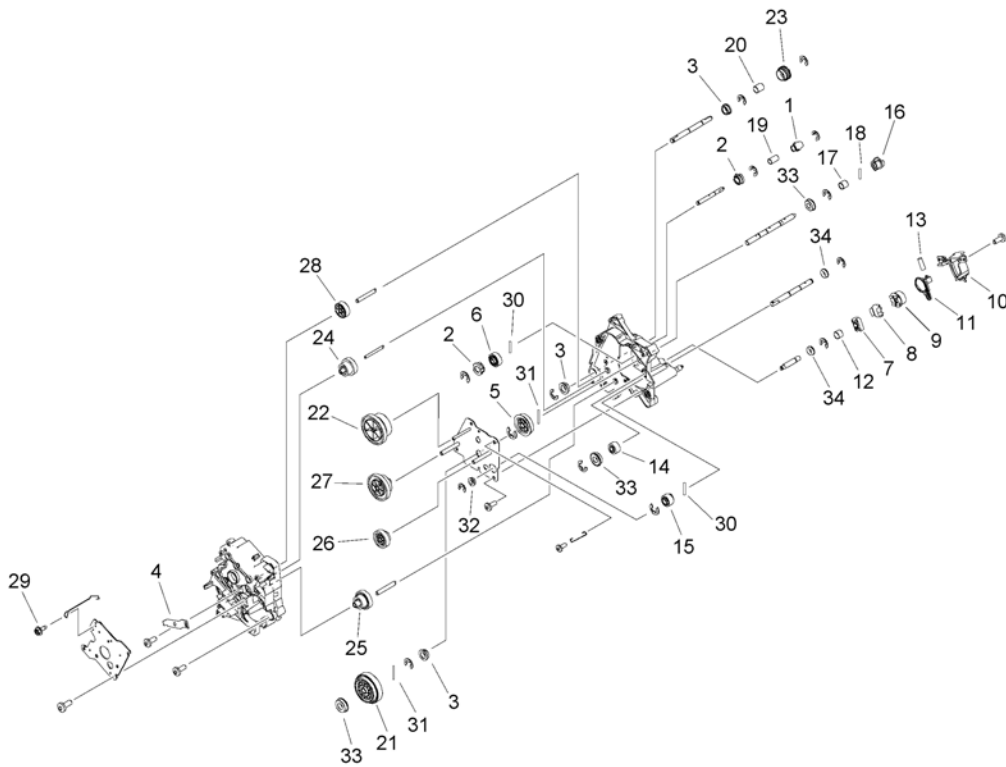


FIGURE & KEY NO.	PART NUMBER	RANK	QTY	DESCRIPTION	SERIAL NUMBER /REMARKS
250	FM1-J142-000		1	MAIN DRIVE ASSEMBLY	
1	FC9-0922-000		1	COUPLING	
2	FC9-0923-000		2	BUSHING	
3	FC9-1593-000		3	BUSHING	
4	FE2-0459-000		1	PLATE, GROUNDING	
5	FE4-6597-000		1	GEAR, 40T	
6	FE4-6598-000		1	GEAR, 25T	
7	FE4-6607-000		1	COUPLING, A	
8	FE4-6608-000		1	COUPLING, B	
9	FE4-6609-000		1	COUPLING, DRIVE	
10	FE4-6610-000		1	HOLDER, COUPLING	
11	FE4-6611-000		1	SLIDER, COUPLING	
12	FE4-6612-000		1	SPRING, COMPRESSION	
13	FE4-6613-000		1	SPRING, COMPRESSION	
14	FE4-6615-000		1	GEAR, 20T	
15	FE4-6620-000		1	GEAR, 21T	
16	FC7-2666-000		1	COUPLING, DRUM	
17	FU7-2962-000		1	SPRING, COMPRESSION	
18	XD9-0342-000		1	PIN, PARALLEL	
19	FU7-2960-000		1	SPRING, COMPRESSION	
20	FU7-2961-000		1	SPRING, COMPRESSION	
21	FU8-0541-000		1	GEAR, 99T/52T	
22	FU8-0542-000		1	GEAR, 99T/75T	
23	FU8-0547-000		1	GEAR, 22T	
24	FU8-0555-000		1	GEAR, 35T/26T	
25	FU9-0378-000		1	GEAR, 24T/39T	
26	FU9-0380-000		1	GEAR, 18T	
27	FU9-0381-000		1	GEAR, 37T/87T	
28	FU9-0382-000		1	GEAR, 29T	
29	XA9-1386-000		1	SCREW,RS,M3X8	
30	XD9-0289-000		2	PIN, PARALLEL	
31	XD9-0339-000		2	PIN, PARALLEL	
32	XG9-0787-000		1	BEARING, BALL, LF1060ZZHP0P25L	
33	XG9-0794-000		3	BEARING, BALL, LNR-1680KKR	
34	XG9-0840-000		2	BEARING, BALL, DDLF-1280ZZH	

Figure 260 PAPER PICK-UP DRIVE ASSEMBLY (UPPER) (EXCEPT 4551)

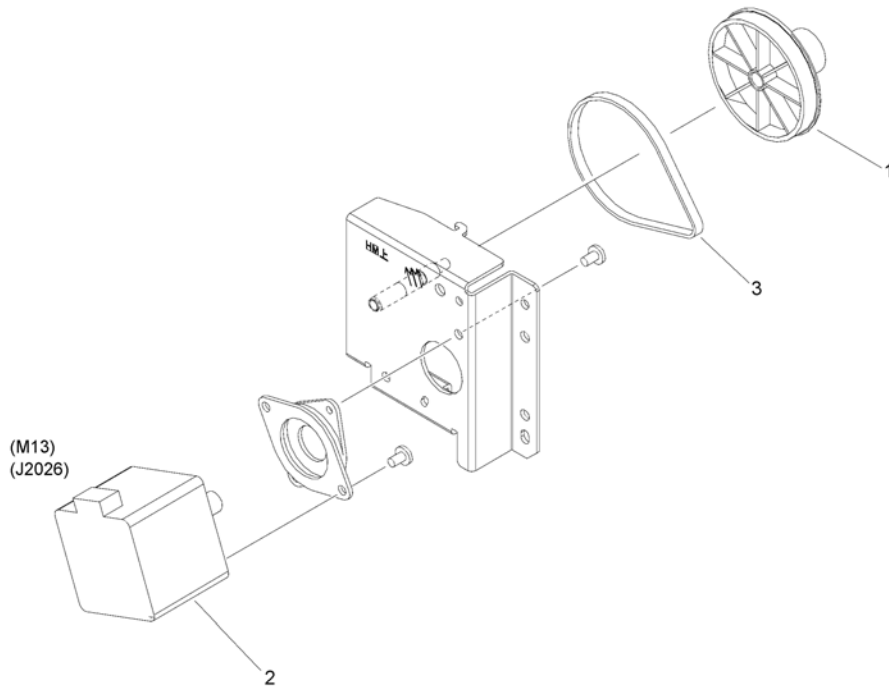


FIGURE & KEY NO.	PART NUMBER	RANK	QTY	DESCRIPTION	SERIAL NUMBER /REMARKS
260	FM4-7923-000		1	PAPER PICK-UP DRIVE ASS'Y	UPPER, EXCEPT IR-ADV 4551 SERIES
1	FC5-1516-000		1	PULLEY, 80T	
2	FK2-7327-000		1	MOTOR, STEPPING	M13
3	XF2-1609-040		1	BELT, TIMING	

Figure 261 PAPER PICK-UP DRIVE ASSEMBLY (LOWER) (EXCEPT 4551)

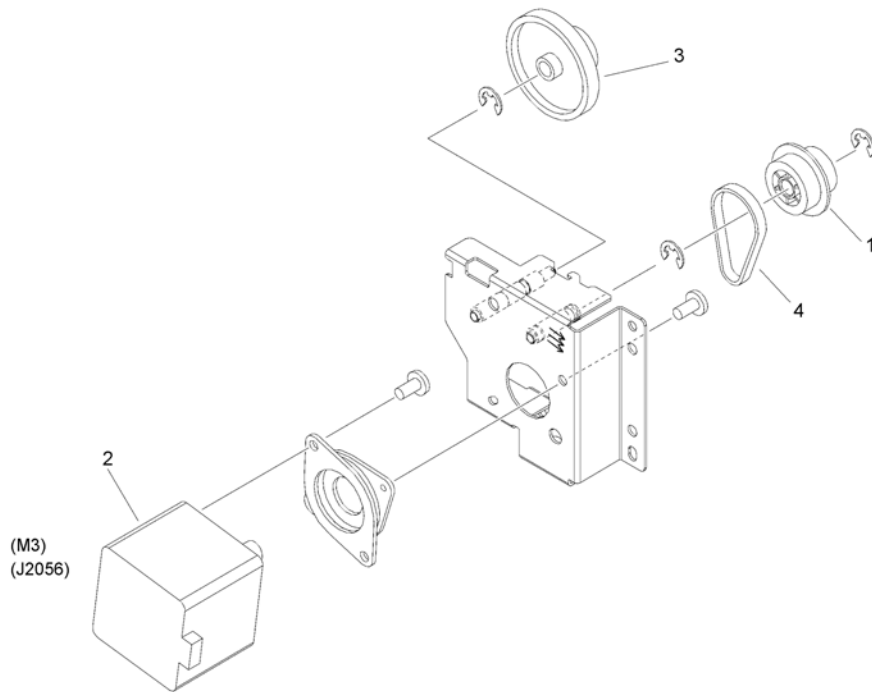


FIGURE & KEY NO.	PART NUMBER	RANK	QTY	DESCRIPTION	SERIAL NUMBER /REMARKS
261	FM4-7902-000		1	PAPER PICK-UP DRIVE ASS'Y	LOWER, EXCEPT IR-ADV 4551 SERIES
1	FC6-5022-000		1	PULLEY, 34T	
2	FK2-7327-000		1	MOTOR, STEPPING	M3
3	FU3-0285-000		1	GEAR, 80T/16T	
4	XF2-1604-940		1	BELT, TIMING	

Figure 262 PAPER PICK-UP DRIVE ASSEMBLY (4551)

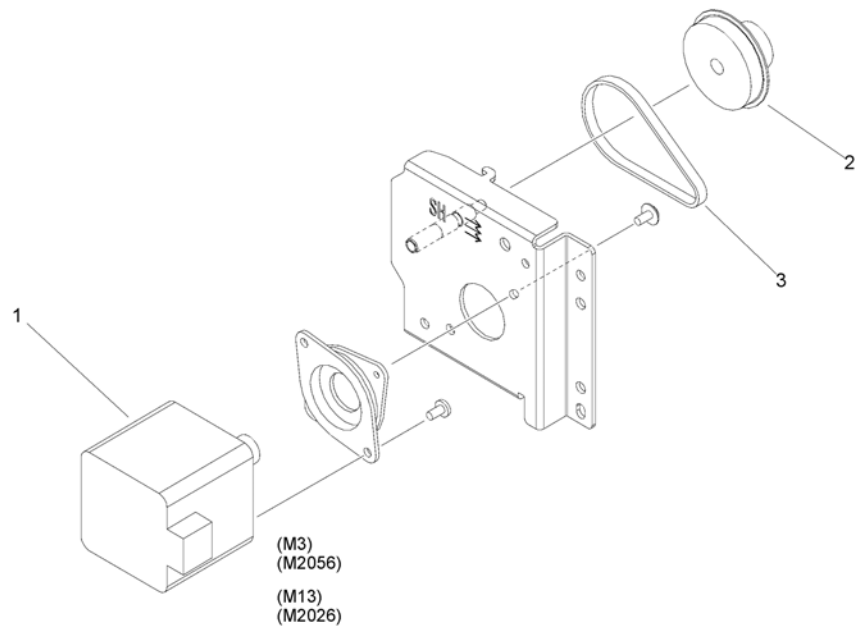


FIGURE & KEY NO.	PART NUMBER	RANK	QTY	DESCRIPTION	SERIAL NUMBER /REMARKS
262	FM4-7922-000		1	PAPER PICK-UP DRIVE ASS'Y	IR-ADV 4551 SERIES
1	FK2-7326-000		2	MOTOR, DC	M3, M13
2	FU7-0353-000		1	PULLEY, 53T/GEAR, 16T	
3	XF2-1607-340		1	BELT, TIMING	

Figure 263 DUPLEXING DRIVE ASSEMBLY

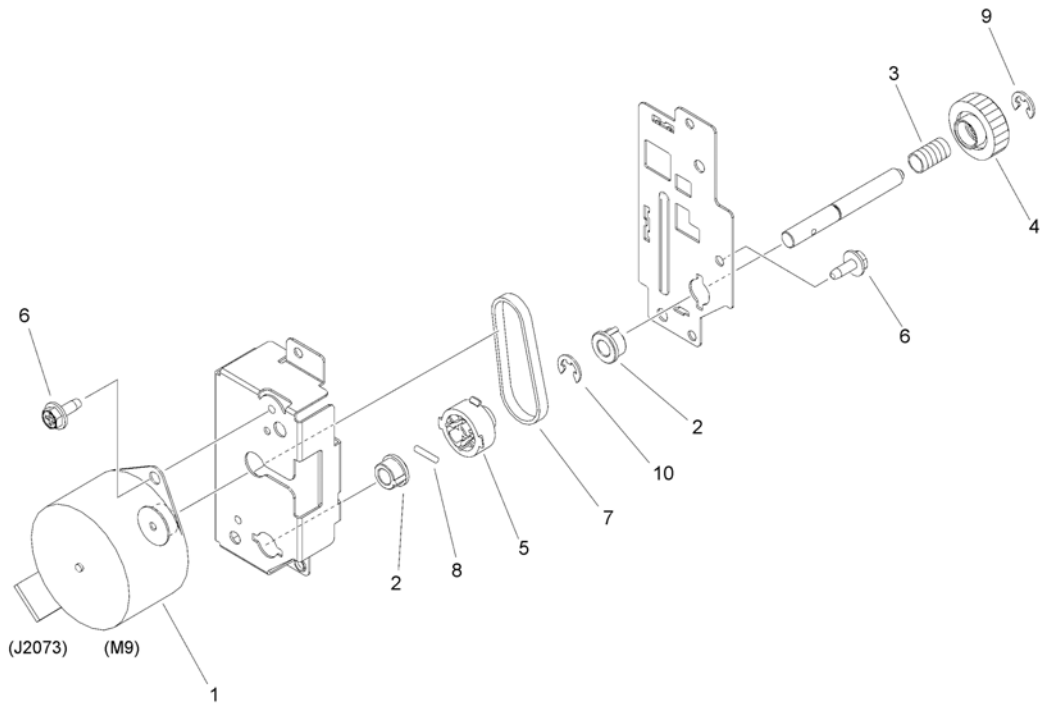


FIGURE & KEY NO.	PART NUMBER	RANK	QTY	DESCRIPTION	SERIAL NUMBER /REMARKS
263	FM1-J057-000		1	DUPLEXING DRIVE ASSEMBLY	
1	FK3-1307-000		1	MOTOR, STEPPING, DC	M9
2	FE4-6505-000		2	BUSHING	
3	FU7-2960-000		1	SPRING, COMPRESSION	
4	FE4-6493-000		1	GEAR, 18T	
5	FE4-6506-000		1	PULLEY, 30T	
6	XA9-1567-000		4	SCREW, RS, M3X8.5	
7	XF2-1606-040		1	BELT, TIMING	
8	XD9-0333-000		1	PIN, DOWEL	
9	XD9-0134-000		1	RING, E	
10	XD9-0136-000		1	RING, E	

Figure 270 CARTRIDGE LEFT RAIL ASSEMBLY

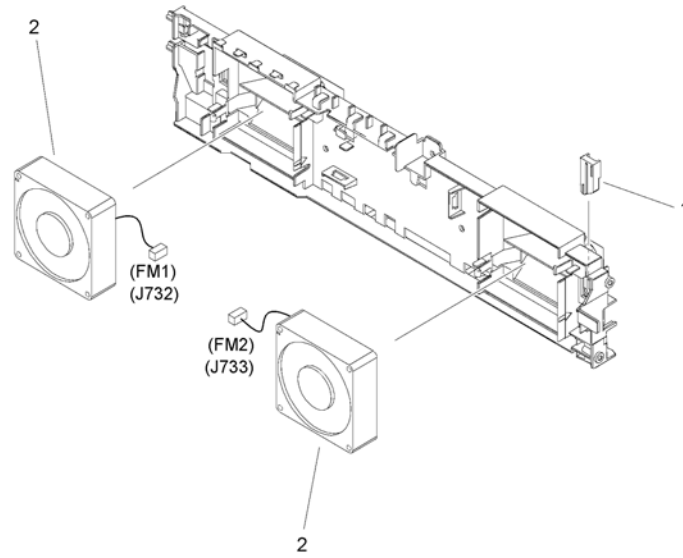


FIGURE & KEY NO.	PART NUMBER	R A N K	QTY	DESCRIPTION	SERIAL NUMBER /REMARKS
270	NPN		RF	CARTRIDGE LEFT RAIL ASSEMBLY	
1	FC9-1618-000		1	STOPPER, DRUM	
2	FK2-0360-000		1	FAN	FM1, FM2

Figure 271 CARTRIDGE RIGHT RAIL ASSEMBLY

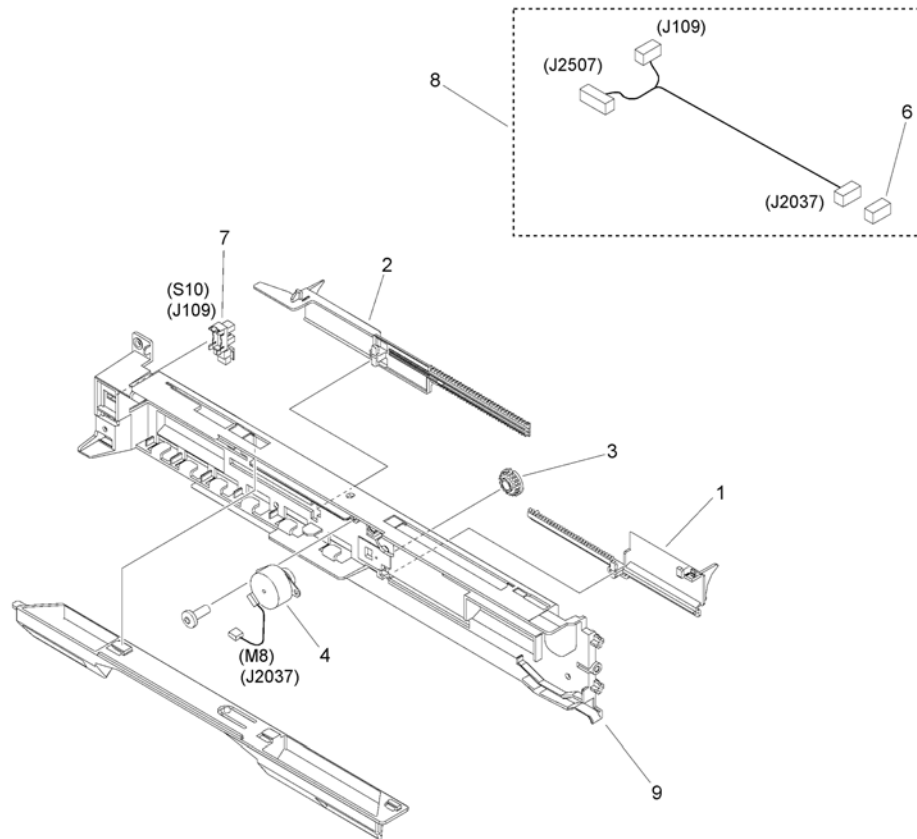


FIGURE & KEY NO.	PART NUMBER	RANK	QTY	DESCRIPTION	SERIAL NUMBER /REMARKS
271	NPN		RF	CARTRIDGE RIGHT RAIL ASSEMBLY	
1	FC9-0733-000		1	SHUTTER, FRONT	
2	FE4-6546-000		1	SHUTTER, REAR	
3	FC9-1683-000		1	PINION, 18T	
4	FK2-9148-000		1	MOTOR, STEPPING	M8
6	VS1-7177-004		1	CONNECTOR, SNAP TIGHT, BK	
7	WG8-5836-000		1	IC PHOTOINTERRUPTER, HYBRID	S10
8	FM1-N922-000		1	CABLE, SIDE END SHUTTER	
9	FE4-6544-000		1	SHUTTER, HOLDER	

Figure 272 BOTTLE DRIVE ASSEMBLY

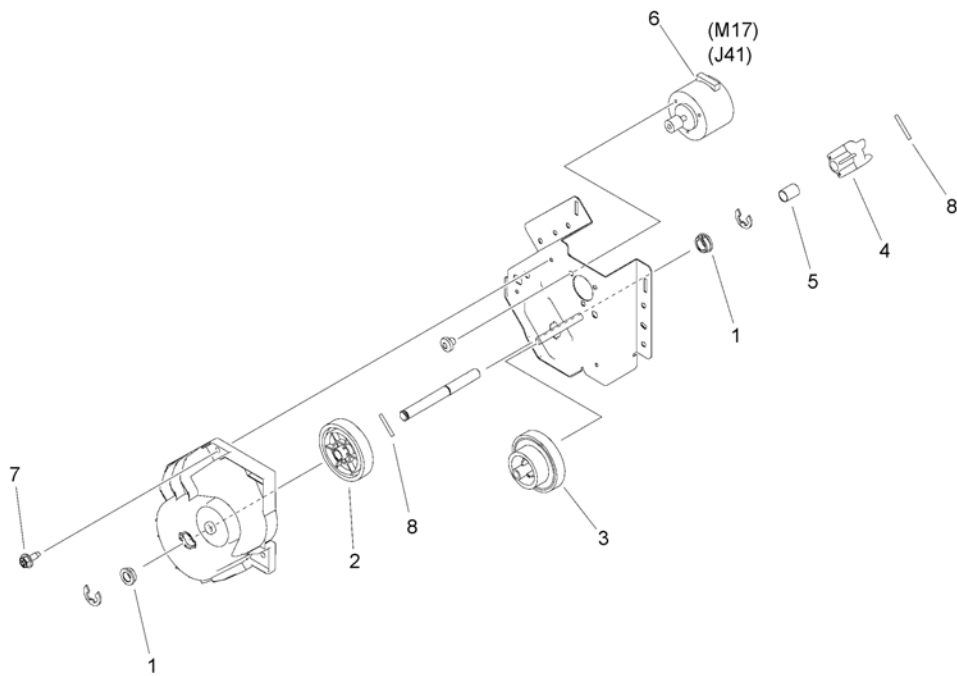


FIGURE & KEY NO.	PART NUMBER	RANK	QTY	DESCRIPTION	SERIAL NUMBER /REMARKS
272	FM1-J135-000		1	BOTTLE DRIVE ASSEMBLY	
1	FC9-1593-000		2	BUSHING	
2	FE4-6856-000		1	GEAR, 60T	
3	FE4-6858-000		1	GEAR, 38T/91T	
4	FE4-6859-000		1	COUPLING	
5	FE4-6860-000		1	SPRING, COMPRESSION	
6	FK4-2684-000		1	MOTOR, DC	M17
7	XA9-1386-000		3	SCREW,RS,M3X8	
8	XD9-0291-000		2	PIN, PARALLEL	

Figure 280 FIRST DELIVERY DRIVE ASSEMBLY

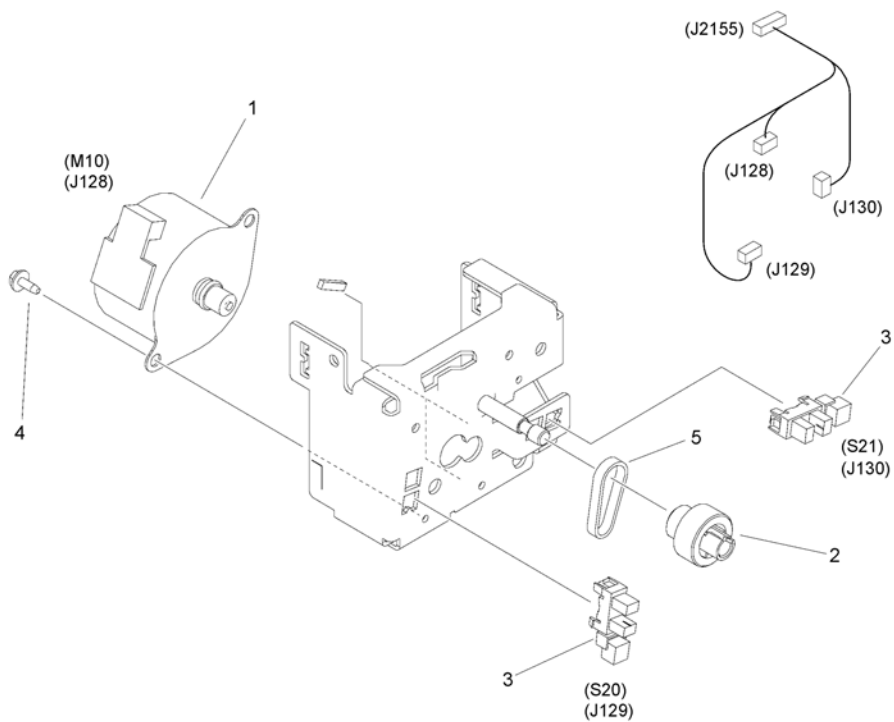


FIGURE & KEY NO.	PART NUMBER	RANK	QTY	DESCRIPTION	SERIAL NUMBER /REMARKS
280	FM1-J126-000		1	FIRST DELIVERY DRIVE ASSEMBLY	
1	FK3-1309-000		1	MOTOR, STEPPING, DC	M10
2	FE4-7189-000		1	GEAR, 18T/PULLEY, 20T	
3	WG8-5836-000		2	IC PHOTOINTERRUPTER, HYBRID	S20, S21
4	XA9-1567-000		2	SCREW, RS, M3X8.5	
5	XF2-1603-640		1	BELT, TIMING	

FIGURE & KEY NO.	PART NUMBER	RANK	QTY	DESCRIPTION	SERIAL NUMBER /REMARKS
310A	FM4-9175-010		1	PAPER PICK-UP ASSEMBLY	UPPER
1	FB6-3410-000		1	LIMITER, TORQUE	
2	FC5-0595-010		1	GUIDE, VERTICAL PATH	
3	FC7-5845-000		1	STOPPER, ROLLER	
4	FC0-6755-000		1	HOLDER, PAPER PICK-UP ROLLER	
5	FB6-3388-000		1	ROD, SEPARATION ROLLER RELEASE	
6	FB6-3389-000		1	CLAW, PICK-UP	
7	FB6-3391-000		1	GEAR, RATCHET	
8	FB6-3392-020		1	SPRING, LEAF	
9	FB6-3395-000		1	ARM, PAPER FEED SHAFT	
10	FB6-3396-010		1	LOCK, PICK-UP	
11	FB6-3397-000		1	FLAG, PAPER SENSOR	
12	FB6-3398-000		1	FLAG, PAPER DETECT SENSOR	
13	FB6-3402-000		1	GEAR, RATCHET	
14	FB6-3403-000		1	COUPLING, FEED SHAFT STOP	
15	FB6-3404-000		1	COUPLING, SEPARATION SHAFT	
16	FB6-3413-000		1	COLLAR, PAPER PICK-UP SHAFT	
17	FB6-4852-000		1	ROLLER, VERTICAL PATH	
18	VS1-7173-014		1	CONNECTOR, SNAP TIGHT, 14P, W	
19	FC6-9867-000		1	RING, RETAINING	
20	FC8-1178-000		1	CLAW, PAPER PICK-UP	
21	FC8-1202-000		1	DAMPER	
22	FC9-4290-010		1	JOINT, RETARD	
23	FC9-7253-000		1	ARM, LIFTING	
24	FL3-6661-010		1	GEAR, 46T	
25	FK2-0408-010		1	SOLENOID	SL1
26	FM3-4146-010		1	PICK-UP ARM UNIT	
27	FM4-2525-000		1	HOLDER, SEPARATION ROLLER	
28	VS1-7177-002		1	CONNECTOR, SNAP TIGHT, BK	
29	FS1-1205-000		2	BUSHING	
30	FS5-1943-000		1	BUSHING	
31	FS6-1063-000		1	BUSHING	
32	FS7-2800-000		2	SPRING, TENSION	
33	FS7-2801-000		1	SPRING, TORSION	
34	FU0-0043-000		1	GEAR, 15T	[DP]
35	FU3-0282-000		1	GEAR, 21T	
36	FU3-0283-000		1	GEAR, 21T	
37	FU3-0284-000		1	GEAR, 16T	
38	FU3-0288-000		1	GEAR, 21T	
39	FU3-0289-000		1	GEAR, 14T	
40	FU3-0347-000		1	GEAR, 41T	
41	FU3-0349-000		1	GEAR, 41T	
42	FU3-0350-000		1	GEAR, 41T/41T	
43	FU5-1763-000		1	BUSHING	

FIGURE & KEY NO.	PART NUMBER	RANK	QTY	DESCRIPTION	SERIAL NUMBER /REMARKS
44	FU3-0352-000		1	GEAR, 16T/16T	
45	FU6-2684-000		1	SPRING, COMPRESSION	
46	FU6-2784-000		1	SPRING, TENSION	
47	FU7-0445-000		1	GEAR, 42T	
48	FU8-0214-000		1	GEAR, 51T	
49	FU7-5378-000		1	SPRING, TENSION	
50	RS5-1567-000		2	BUSHING	
51	WG8-5836-000		4	IC PHOTOINTERRUPTER, HYBRID	S2, S3, S4, S39
52	XA9-0656-000		1	SCREW,RS,M3X10	
53	XA9-1567-000		1	SCREW, RS, M3X8.5	
54	FB6-3405-000		1	ROLLER, PAPER PICK-UP	[DP]
55	FC6-6661-000		1	ROLLER, SEPARATION	[DP]
56	FC0-5080-000		1	ROLLER, FEED/SEPARATION	[DP]
57	XD9-0289-000		3	PIN, DOWEL	

Figure 311A PAPER PICK-UP ASSEMBLY (LOWER) (EXCEPT CN)

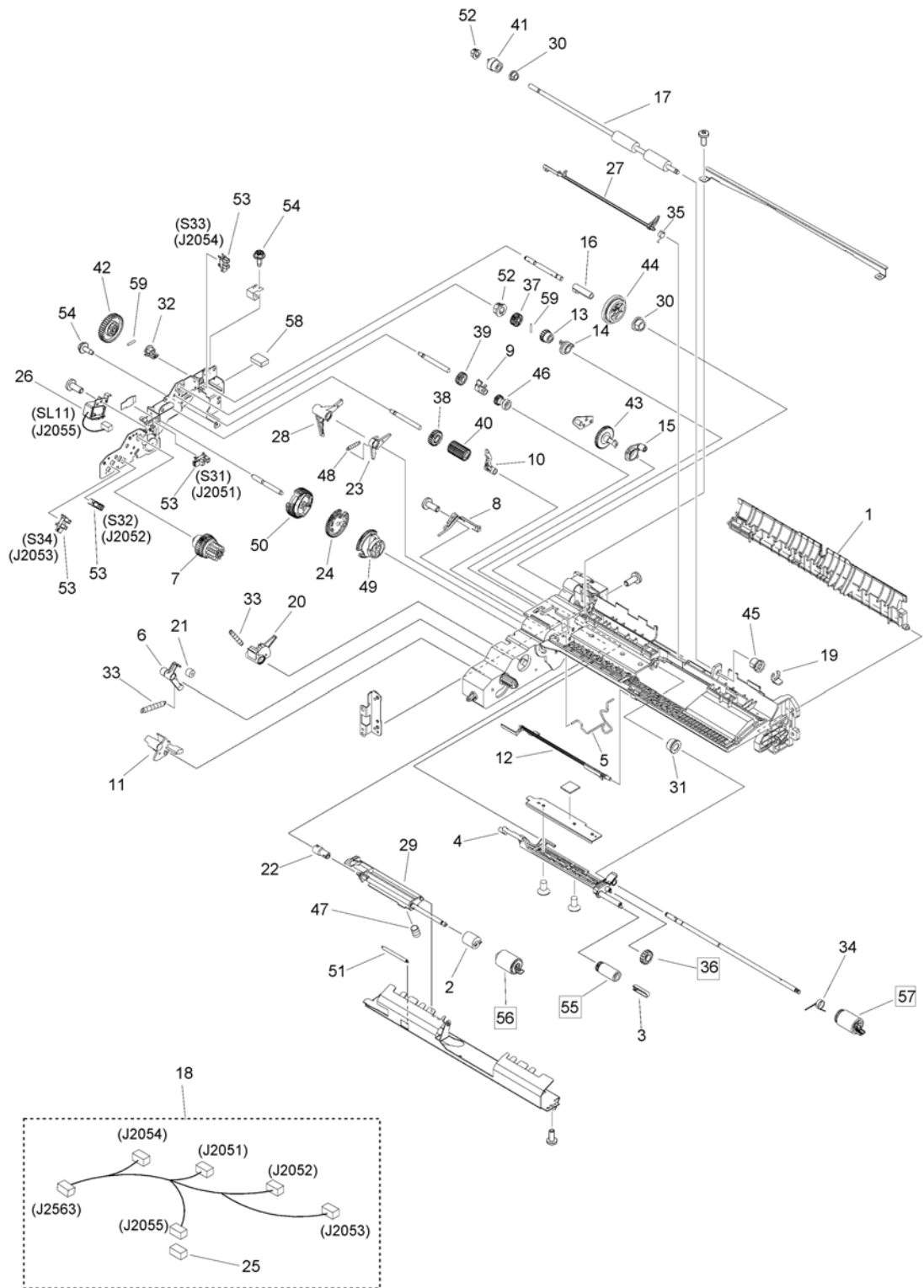


FIGURE & KEY NO.	PART NUMBER	RANK	QTY	DESCRIPTION	SERIAL NUMBER /REMARKS
311A	FM4-9177-010		1	PAPER PICK-UP ASSEMBLY	LOWER
1	FB6-3387-000		1	GUIDE, VERTICAL PATH	
2	FB6-3410-000		1	LIMITER, TORQUE	
3	FC7-5845-000		1	STOPPER, ROLLER	
4	FC0-6755-000		1	HOLDER, PAPER PICK-UP ROLLER	
5	FB6-3388-000		1	ROD, SEPARATION ROLLER RELEASE	
6	FB6-3389-000		1	CLAW, PICK-UP	
7	FB6-3391-000		1	GEAR, RATCHET	
8	FB6-3392-020		1	SPRING, LEAF	
9	FB6-3395-000		1	ARM, PAPER FEED SHAFT	
10	FB6-3396-010		1	LOCK, PICK-UP	
11	FB6-3397-000		1	FLAG, PAPER SENSOR	
12	FB6-3398-000		1	FLAG, PAPER DETECT SENSOR	
13	FB6-3402-000		1	GEAR, RATCHET	
14	FB6-3403-000		1	COUPLING, FEED SHAFT STOP	
15	FB6-3404-000		1	COUPLING, SEPARATION SHAFT	
16	FB6-3413-000		1	COLLAR, PAPER PICK-UP SHAFT	
17	FB6-4852-000		1	ROLLER, VERTICAL PATH	
18	FG3-2302-020		1	CABLE, PAPER PICK-UP UNIT	
19	FC6-9867-000		1	RING, RETAINING	
20	FC8-1178-000		1	CLAW, PAPER PICK-UP	
21	FC8-1202-000		1	DAMPER	
22	FC9-4290-010		1	JOINT, RETARD	
23	FC9-7253-000		1	ARM, LIFTING	
24	FL3-6661-010		1	GEAR, 46T	
25	VS1-7177-002		1	CONNECTOR, SNAP TIGHT, BK	
26	FK2-0408-010		1	SOLENOID	SL11
27	FL3-8032-000		1	FLAG, REGISTRATION SENSOR	
28	FM3-4146-010		1	PICK-UP ARM UNIT	
29	FM4-2525-000		1	HOLDER, SEPARATION ROLLER	
30	FS1-1205-000		2	BUSHING	
31	FS5-1943-000		1	BUSHING	
32	FS6-1063-000		1	BUSHING	
33	FS7-2800-000		2	SPRING, TENSION	
34	FS7-2801-000		1	SPRING, TORSION	
35	FS7-2803-000		1	SPRING, TORSION	
36	FU0-0043-000		1	GEAR, 15T	[DP]
37	FU3-0282-000		1	GEAR, 21T	
38	FU3-0283-000		1	GEAR, 21T	
39	FU3-0284-000		1	GEAR, 16T	
40	FU3-0288-000		1	GEAR, 21T	
41	FU3-0289-000		1	GEAR, 14T	
42	FU3-0347-000		1	GEAR, 41T	
43	FU3-0349-000		1	GEAR, 41T	

FIGURE & KEY NO.	PART NUMBER	RANK	QTY	DESCRIPTION	SERIAL NUMBER /REMARKS
44	FU3-0350-000		1	GEAR, 41T/41T	
45	FU5-1763-000		1	BUSHING	
46	FU3-0352-000		1	GEAR, 16T/16T	
47	FU6-2684-000		1	SPRING, COMPRESSION	
48	FU6-2784-000		1	SPRING, TENSION	
49	FU7-0445-000		1	GEAR, 42T	
50	FU8-0214-000		1	GEAR, 51T	
51	FU7-5378-000		1	SPRING, TENSION	
52	RS5-1567-000		2	BUSHING	
53	WG8-5836-000		4	IC PHOTOINTERRUPTER, HYBRID	S31, S32, S33, S34
54	XA9-0656-000		1	SCREW,RS,M3X10	
55	FB6-3405-000		1	ROLLER, PAPER PICK-UP	[DP]
56	FC6-6661-000		1	ROLLER, SEPARATION	[DP]
57	FC0-5080-000		1	ROLLER, FEED/SEPARATION	[DP]
58	VS1-7173-014		1	CONNECTOR, SNAP TIGHT, 14P, W	
59	XD9-0289-000		3	PIN, DOWEL	

Figure 312C MULTI PAPER PICK-UP ASSEMBLY (EUR)

NOTE : The part shown with key No.1 does not include the part shown with key No.4.

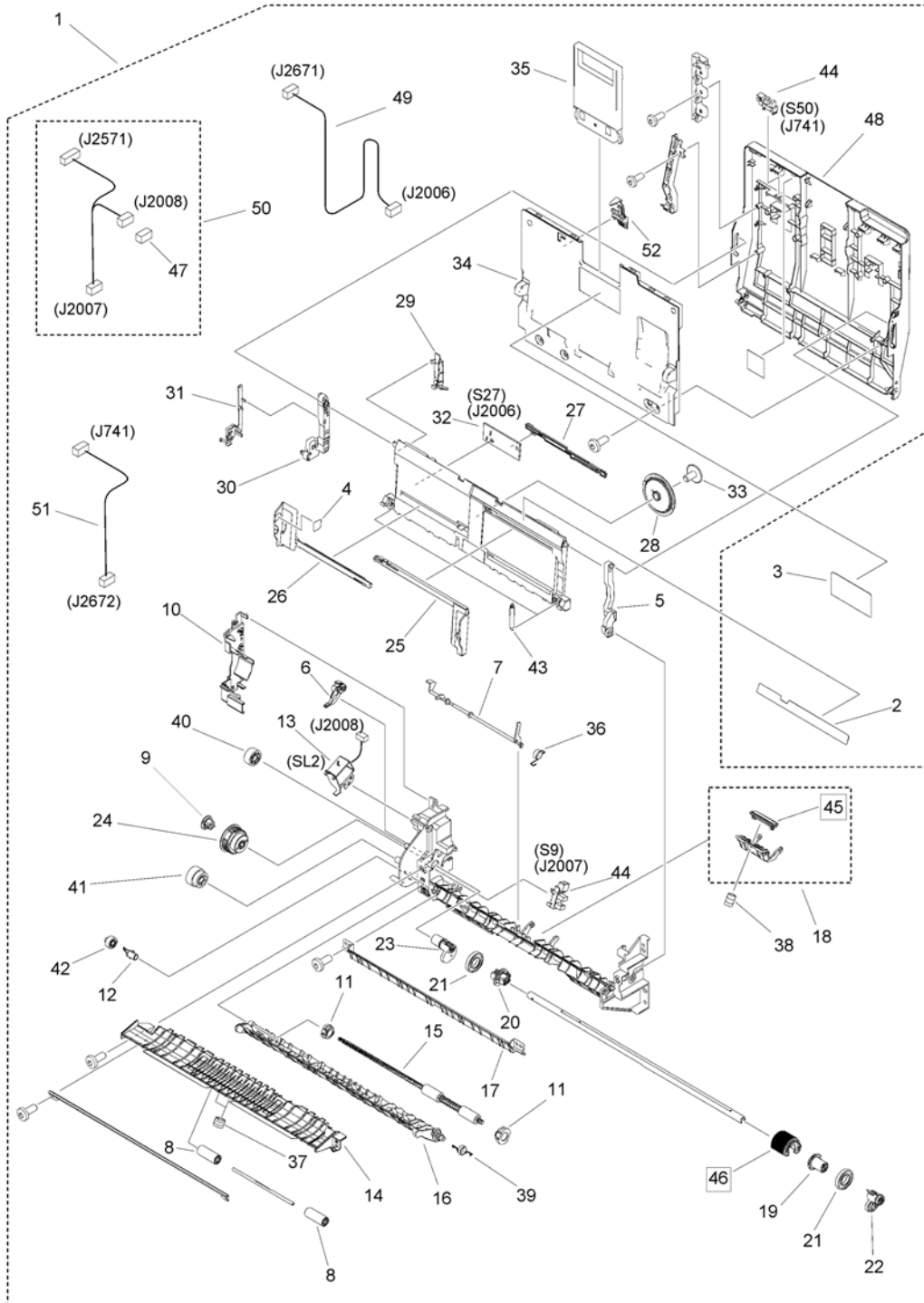


FIGURE & KEY NO.	PART NUMBER	RANK	QTY	DESCRIPTION	SERIAL NUMBER /REMARKS
312C	NPN		RF	MULTI PAPER PICK-UP ASSEMBLY	EUR
1	FM1-J119-000		1	MULTI PAPER PICK-UP ASSEMBLY	
2	FE4-7247-000		1	LABEL, DOCUMENT SIZE	A SIZE
3	FE4-7270-000		1	LABEL, PAPER SET INSTRUCTION	English, French, Spanish, Portugues, German
4	FE4-7250-000		1	LABEL, DOCUMENT MAXIMUM	
5	FE4-7218-000		1	HINGE, MULTI PICK-UP, FRONT	
6	FC0-2611-000		1	STOPPER	
7	FC0-5222-000		1	FLAG, MULTI PAPER SENSOR	
8	FC9-0670-000		2	ROLLER, EXTRACTION	
9	FC9-0671-000		1	CAP, SHAFT CONDUCTIVE	
10	FC9-0672-000		1	COVER, MULTI SENSOR	
11	FC9-0923-000		2	BUSHING	
12	FC9-1026-000		1	BUSHING	
13	FK4-2680-000		1	SOLENOID	SL2
14	FL3-1348-010		1	GUIDE, MULTI, UPPER	
15	FL3-1349-000		1	ROLLER, MULTI EXTRACTION DRIVE	
16	FL0-2517-000		1	GUIDE, MULTI LOWER	
17	FL3-5605-000		1	GUIDE, VERTICAL PATH	
18	FM3-9287-010		1	MULTI SEPARATION PAD ASSEMBLY	
19	FC9-0684-000		1	BUSHING	
20	FC9-0685-000		1	BUSHING	
21	FC9-0687-000		2	ROLLER, MULTI	
22	FC9-0688-000		1	CAM, MULTI, FRONT	
23	FC9-0689-000		1	CAM, MULTI, REAR	
24	FM3-9293-000		1	MULTI PAPER PICK-UP GEAR ASS'Y	
25	FE4-7219-000		1	PLATE, PAPER SIDE END, FRONT	
26	FE4-7220-000		1	PLATE, PAPER SIDE END, REAR	
27	FC0-2605-000		1	RACK, PAPER SIDE END	
28	FC0-2606-000		1	GEAR, 54T/18T	
29	FC0-2607-000		1	COVER, CABLE	
30	FE4-7222-000		1	HINGE, MULTI PICK-UP, REAR	
31	FE4-7223-000		1	COVER, HINGE	
32	FM2-2768-000		1	MULTI FEED SIZE PCB ASSEMBLY	S27
33	XA9-2007-000		1	SCREW,B,M4,L8	
34	FE4-7180-000		1	TRAY, MULTI	
35	FE4-7187-000		1	TRAY, MULTI EXTENSION	
36	FU7-2925-000		1	SPRING, TORSION	
37	FU7-2926-000		2	SPRING, COMPRESSION	
38	FU7-2971-000		1	SPRING, COMPRESSION	
39	FU7-2974-000		1	SPRING, TORSION	
40	FU8-0525-000		1	GEAR, 21T	
41	FU8-0526-000		1	GEAR 27T/25T	
42	FU8-0527-000		1	GEAR, 19T	

FIGURE & KEY NO.	PART NUMBER	RANK	QTY	DESCRIPTION	SERIAL NUMBER /REMARKS
43	FU8-2804-000		2	SPRING, TENSION	
44	WG8-5836-000		2	IC PHOTOINTERRUPTER, HYBRID	S9
45	FL3-3469-000		1	PAD, SEPARATION	[DP]
46	FL3-1352-000		1	ROLLER, PAPER PICK-UP	[DP]
47	VS1-7177-002		1	CONNECTOR, SNAP TIGHT, BK	
48	FL0-5743-000		1	COVER, MULTI	
49	FM4-7674-000		1	CABLE, MULTI SIZE DETECT	
50	FM1-N909-000		1	CABLE, MULTI	
51	FM1-N899-000		1	CABLE, MULTI POSITION SIZE	
52	FE4-7186-000		1	FLAG, PAPER SIZE	

Figure 313 DUPLEXING FEED GUIDE ASSEMBLY

NOTE: This assembly is included in the assembly shown in Figure 102. NOTE: This assembly does not include the parts shown with Key no. 22.

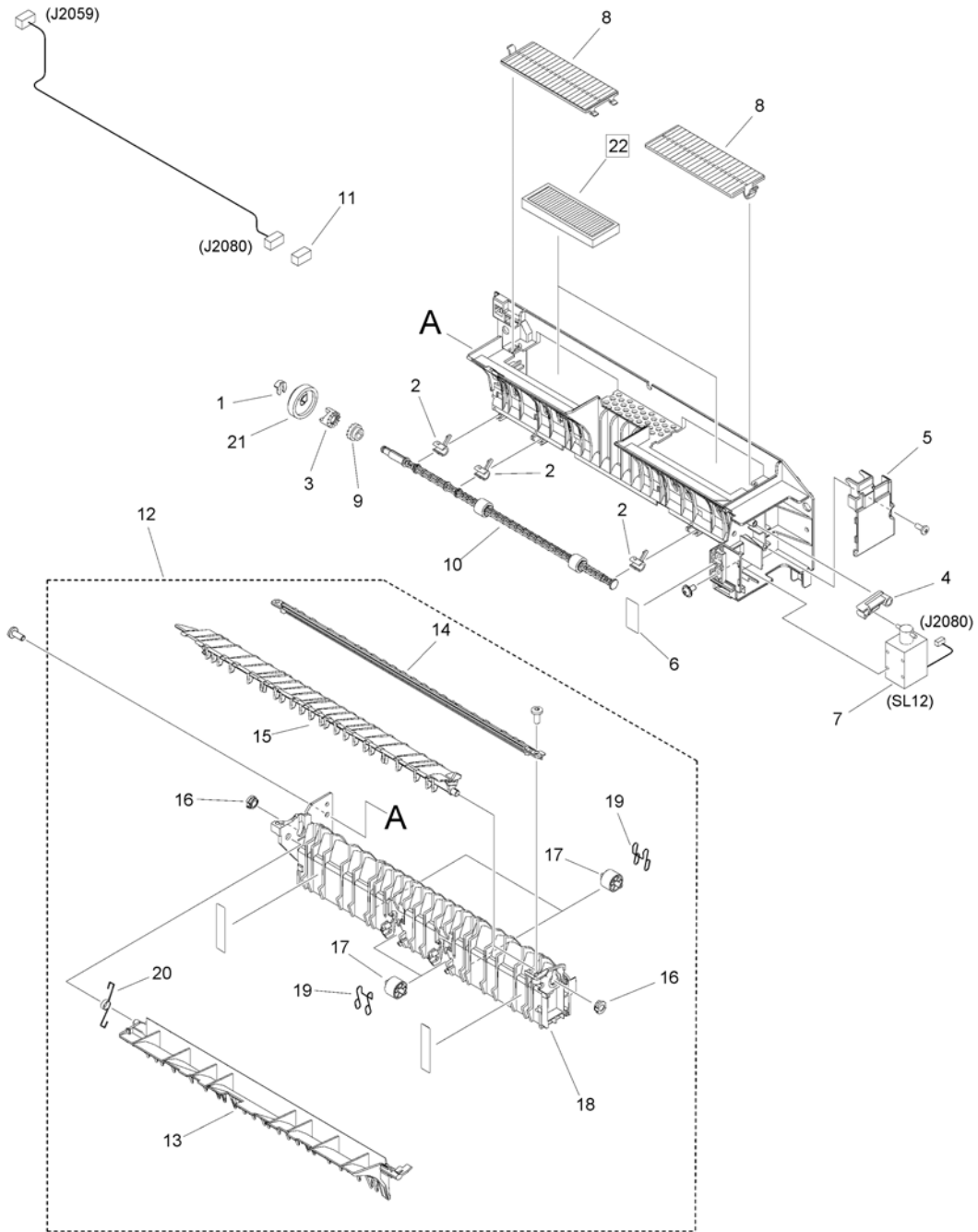


FIGURE & KEY NO.	PART NUMBER	RANK	QTY	DESCRIPTION	SERIAL NUMBER /REMARKS
313	FM4-9157-000		1	DUPLEXING FEED GUIDE ASSEMBLY	SEE NOTE
1	FC5-4425-000		1	CLIP	
2	FC9-0717-000		3	BUSHING	
3	FC9-0826-000		1	RATCHET, INTERMEDIATE	
4	FC5-1023-000		1	ARM, SOLENOID, 2	
5	FC9-0838-000		1	COVER, REVERSE SOLENOID	
6	FC9-8950-000		1	SHEET, REVERSE SOLENOID	
7	FH6-5095-000		1	SOLENOID	SL12
8	FC0-3079-000		2	COVER, AIR FILTER	
9	FC9-0852-000		1	RATCHET, FEED	
10	FL3-1451-000		1	ROLLER, ENTRANCE	
11	VS1-7177-003		1	CONNECTOR, SNAP TIGHT, BK	
12	FM4-9740-000		1	DUPLEXING ENTRANCE GUIDE ASS'Y	
13	FC9-0841-000		1	FLAPPER, SECOND DELIVERY	
14	FC9-0843-000		1	GUIDE, REVERSE ENTRANCE	
15	FC9-0846-000		1	FLAPPER, REVERSE	
16	FC9-0923-000		2	BUSHING	
17	FC9-7720-000		4	COLLAR, FIXING DELIVERY	
18	FL3-1443-000		1	GUIDE, ENTRANCE	
19	FU7-2947-000		1	SPRING, RETAINING	
20	FU8-2805-000		1	SPRING, TORSION	
21	FU8-0607-000		1	GEAR, 35T	
22	FC0-3078-000		1	FILTER, AIR	[DP] SEE NOTE

Figure 316 PRE-REGISTRATION GUIDE ASS'Y

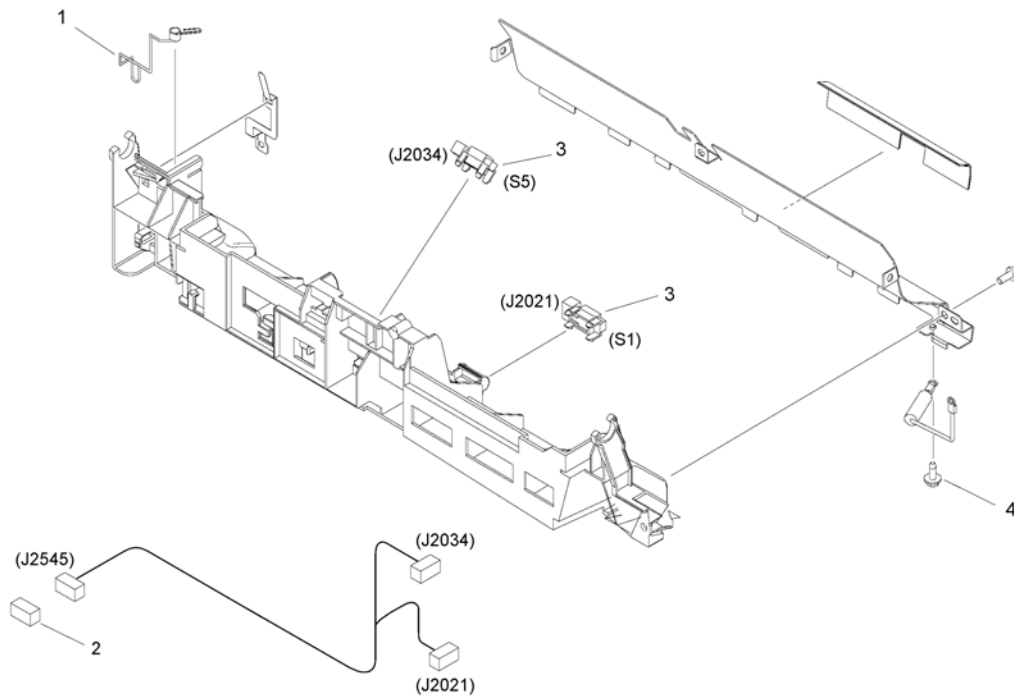


FIGURE & KEY NO.	PART NUMBER	RANK	QTY	DESCRIPTION	SERIAL NUMBER /REMARKS
316	FM4-7921-000		1	PRE-REGISTRATION GUIDE ASS'Y	
1	FC9-0557-000		1	CABLE, GROUNDING	
2	VS1-7177-006		1	CONNECTOR, SNAP TIGHT, 6P, W	
3	WG8-5927-000		2	PHOTOINTERRUPTER, PS122TL1-A	S1, S5
4	XA9-1567-000		1	SCREW, RS, M3X8.5	

Figure 320 TRANSFER PAPER FEED ASSEMBLY

NOTE : This assembly is included in the assembly shown in Figure 102.

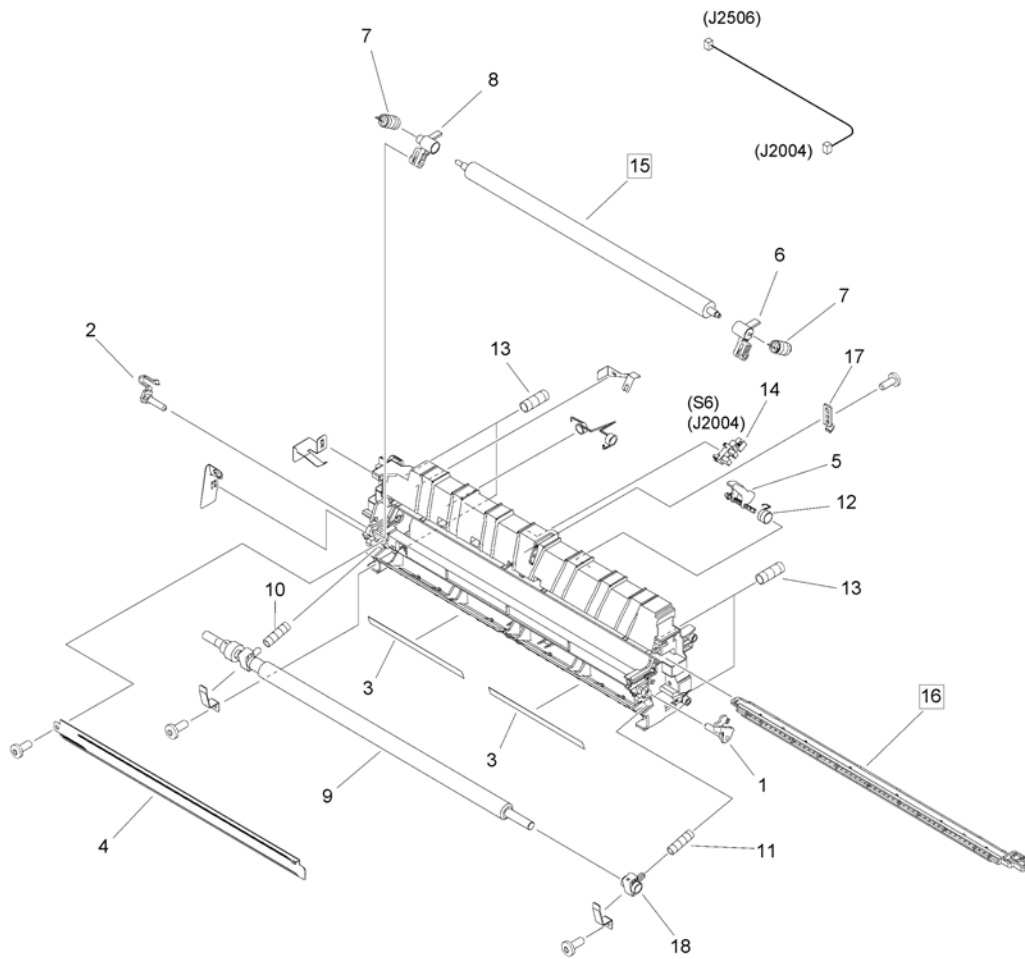


FIGURE & KEY NO.	PART NUMBER	RANK	QTY	DESCRIPTION	SERIAL NUMBER /REMARKS
320	FM1-J125-000		1	TRANSFER PAPER FEED ASSEMBLY	SEE NOTE
1	FC0-4340-000		1	PIN, TRANSFER HINGE	
2	FC5-1536-000		1	PIN, TRANSFER HINGE	
3	FC9-0629-010		2	SHEET, PRE-REG. DOOR SIDE	
4	FC9-0702-000		1	GUIDE, ELIMINATOR	
5	FE4-6775-000		1	FLAG, LOOP SENSOR	
6	FC9-0699-000		1	ARM, TRANSFER, FRONT	
7	FU7-2928-000		2	SPRING, COMPRESSION	
8	FC9-0700-000		1	ARM, TRANSFER, REAR	
9	FM3-9299-000		1	ROLLER, REGISTRATION	
10	FU7-2930-000		1	SPRING, COMPRESSION	
11	FU7-2931-000		1	SPRING, COMPRESSION	
12	FU8-2807-000		1	SPRING, TORSION	
13	FU7-2933-000		4	SPRING, COMPRESSION	
14	WG8-5836-000		1	IC PHOTOINTERRUPTER, HYBRID	S6
15	FE8-2935-000		1	ROLLER, TRANSFER	[DP]
16	FM3-9296-010		1	ELIMINATOR HOLDER ASSEMBLY	[DP]
17	FE2-1943-000		1	SUPPORT, SENSOR FLAG	
18	FU5-1009-000		2	BUSHING	

Figure 330 DOOR ASSEMBLY, RIGHT LOWER

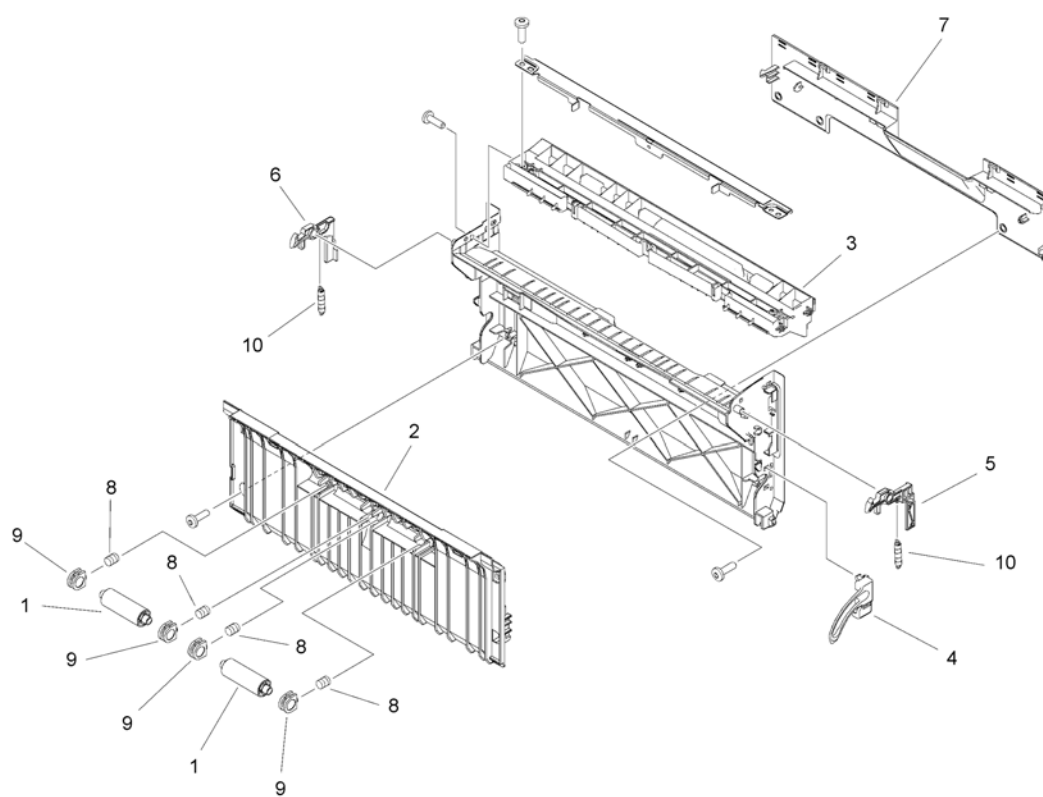


FIGURE & KEY NO.	PART NUMBER	RANK	QTY	DESCRIPTION	SERIAL NUMBER /REMARKS
330	FM1-J122-000		1	RIGHT LOWER DOOR ASSEMBLY	
1	FB6-3313-000		2	ROLLER, PAPER FEED	
2	FE4-7289-000		1	GUIDE, DOOR, RIGHT LOWER	
3	FE4-6772-000		1	GUIDE, DECK PATH	
4	FC0-2520-000		1	STOPPER, DOOR, RIGHT LOWER	
5	FC0-2521-000		1	HOOK, RIGHT LOWER DOOR, FRONT	
6	FC0-2522-000		1	HOOK, RIGHT LOWER DOOR, REAR	
7	FE4-6765-000		1	COVER, DECK PATH	
8	FS7-2788-000		4	SPRING, COMPRESSION	
9	FU5-1035-000		4	BUSHING	
10	FU8-2796-000		2	SPRING, TENSION	

Figure 333 RIGHT LOWER INNER DOOR ASS'Y

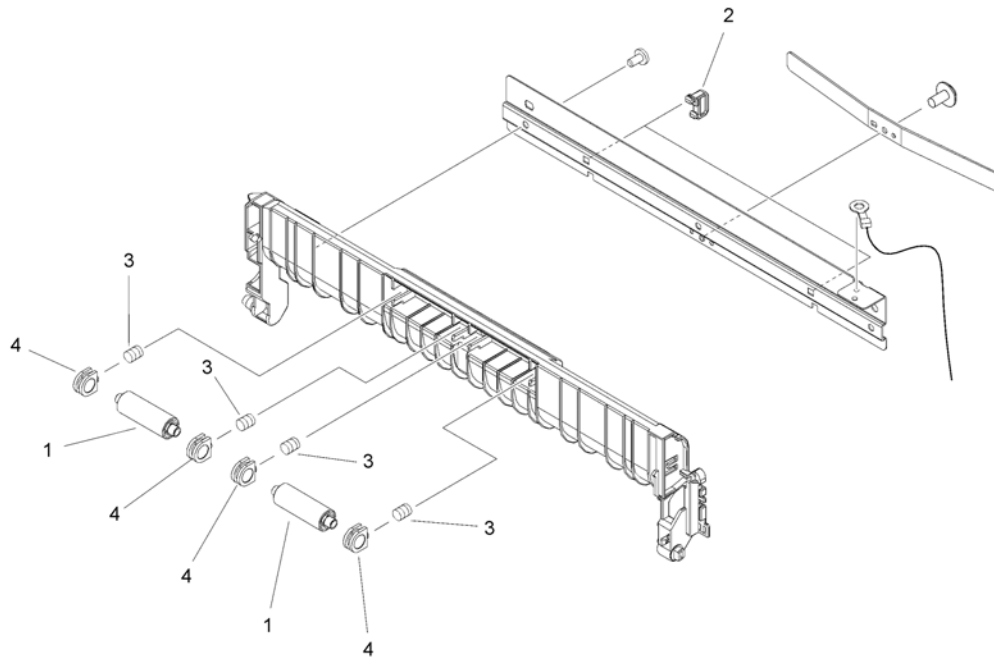


FIGURE & KEY NO.	PART NUMBER	RANK	QTY	DESCRIPTION	SERIAL NUMBER /REMARKS
333	FM3-1297-000		1	RIGHT LOWER INNER DOOR ASSY	
1	FB6-3313-000		2	ROLLER, PAPER FEED	
2	FC7-5907-000		2	SPRING, GROUNDING	
3	FS7-2788-000		4	SPRING, COMPRESSION	
4	FU5-1035-000		4	BUSHING	

Figure 350 FIRST PAPER DELIVERY ASSEMBLY

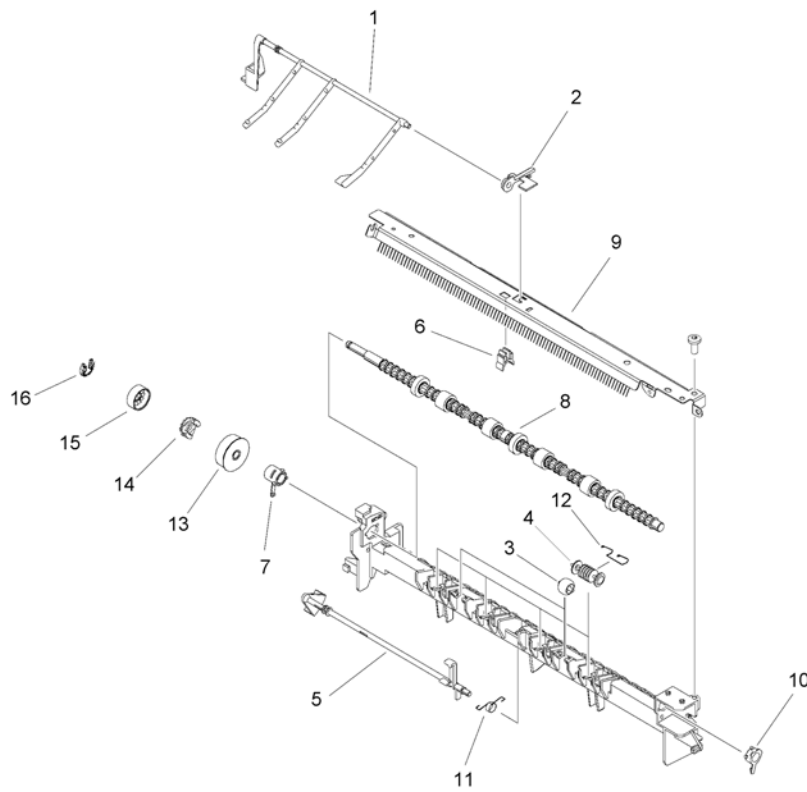


FIGURE & KEY NO.	PART NUMBER	RANK	QTY	DESCRIPTION	SERIAL NUMBER /REMARKS
350	FM1-J123-000		1	FIRST PAPER DELIVERY ASSEMBLY	
1	FE4-7196-000		1	LEVER, FULL DETECT	
2	FC0-3073-000		1	BUSHING	
3	FC0-4672-000		2	ROLLER, CURL	
4	FC8-0209-000		4	ROLLER, FD	
5	FC9-0802-000		1	LEVER, DELIVERY SENSOR	
6	FC9-0805-000		1	BUSHING	
7	FC9-8959-000		1	BUSHING	
8	FL0-5726-000		1	ROLLER, PAPER DELIVERY	
9	FL3-5302-000		1	PLATE, ELIMINATOR	
10	FU5-1522-000		1	BUSHING, DELIVERY ROLLER	
11	FU7-2925-000		1	SPRING, TORSION	
12	FU7-2968-000		1	SPRING, TORSION	
13	FE4-7190-000		1	GEAR, 26T	
14	FE4-6931-000		1	CAM, TRANSMISSION	
15	FE4-7192-000		1	CAM, TRANSMISSION, 1	
16	FC6-5046-000		1	RING, RETAINING	

FIGURE & KEY NO.	PART NUMBER	RANK	QTY	DESCRIPTION	SERIAL NUMBER /REMARKS
351	NPN		RF	SECOND PAPER DELIVERY ASSEMBLY	
1	FU7-2943-000		1	SPRING, TORSION	
2	FC5-4697-000		2	RING, RETAINING	
3	FE4-7214-000		1	GUIDE, REVERSE LW. AUXILIARY	
4	FC9-0717-000		2	BUSHING	
5	FC9-0814-000		1	GUIDE, SLIDE	
6	FC9-0816-010		1	FLAG, FULL SENSOR	
7	FC9-0822-000		1	LEVER, REVERSE SENSOR	
8	FC9-0836-000		1	ELIMINATOR, STATIC CHARGE	
9	FC9-7720-000		2	COLLAR, FIXING DELIVERY	
10	FC9-7723-000		1	SHEET, REVERSE AUXILIARY	
11	FL3-1450-000		1	ROLLER, REVERSE	
12	FC5-4425-000		3	CLIP	
13	FK3-1308-000		1	MOTOR, STEPPING, DC	M20
14	FU8-0602-000		1	GEAR, 18T	
15	FU8-0603-000		2	GEAR, 18T	
16	FU8-0605-000		1	GEAR, 35T	
17	FU8-0606-000		1	GEAR, 46T	
18	FU8-0610-000		1	GEAR, 35T	
19	FM1-B597-000		1	SIDE PLATE, 2ND PAPER DELIVERY	
20	WG8-5836-000		2	IC PHOTOINTERRUPTER, HYBRID	S23, S24
21	XA9-1567-000		11	SCREW, RS, M3X8.5	
22	XF2-1608-040		1	BELT, TIMING	
23	FU5-3796-000		1	PULLEY	
24	FU7-2934-000		2	SPRING, RETAINING	
25	VS1-7173-005		1	CONNECTOR, SNAP TIGHT	
26	FE4-7217-000		1	GUIDE, REVERSE BACK END	
27	FM4-7916-000		1	2ND PAPER DELIVERY DRIVE UNIT	
28	FE4-7292-000		1	LABEL, CAUTION	

Figure 352 SECOND DELIVERY FRAME ASSEMBLY

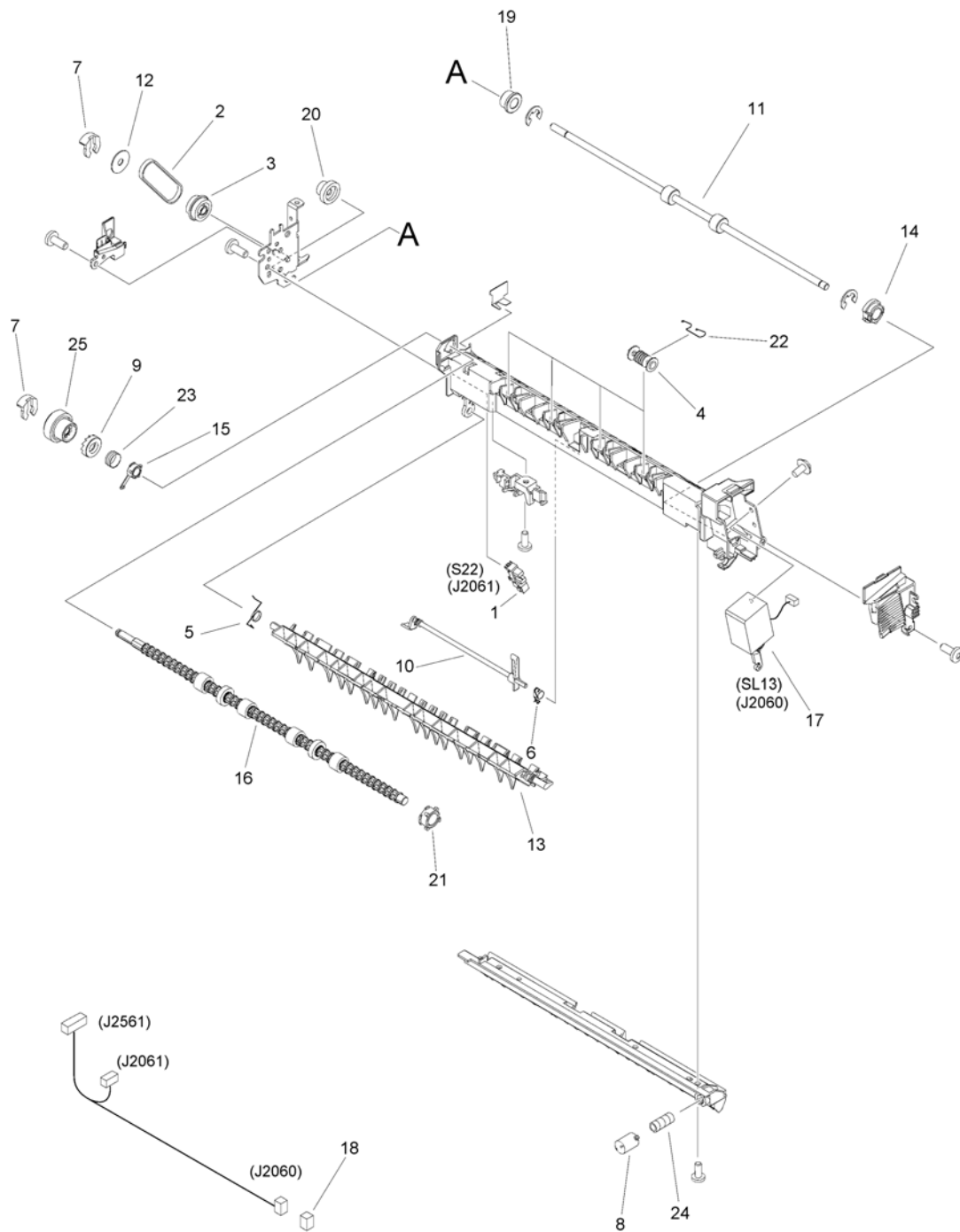


FIGURE & KEY NO.	PART NUMBER	RANK	QTY	DESCRIPTION	SERIAL NUMBER /REMARKS
352	FM1-J172-000		1	SECOND DELIVERY FRAME ASSEMBLY	
1	WG8-5836-000		1	IC PHOTOINTERRUPTER, HYBRID	S22
2	XF2-1608-040		1	BELT, TIMING	
3	FU8-0609-000		1	GEAR, 24T	
4	FC0-5231-000		4	ROLLER, FD	
5	FC5-0974-000		1	SPRING, TORSION	
6	FC5-0997-000		1	SPRING, TORSION	
7	FC5-4425-000		2	CLIP	
8	FC5-6014-000		1	CAP, SPRING	
9	FC9-0854-000		1	RATCHET, FEED	
10	FC9-0856-000		1	FLAG, SENSOR	
11	FC9-0857-000		1	ROLLER, VERTICAL PASS	
12	FC9-0864-000		1	STOPPER, BELT	
13	FC9-0870-010		1	FLAPPER	
14	FC9-0923-000		1	BUSHING	
15	FC9-8967-000		1	BUSHING	
16	FL3-1454-000		1	ROLLER, SECOND DELIVERY	
17	FL3-3151-000		1	SOLENOID	SL13
18	VS1-7177-002		1	CONNECTOR, SNAP TIGHT, BK	
19	FS5-1943-000		1	BUSHING	
20	FU5-0076-000		1	GEAR, 24T	
21	FU5-1522-000		1	BUSHING, DELIVERY ROLLER	
22	FU6-2189-000		4	SPRING, TORSION	
23	FU7-2946-000		1	SPRING, COMPRESSION	
24	FU7-2948-000		1	SPRING, COMPRESSION	
25	FU8-0608-000		1	GEAR, 26T	

Figure 460A LASER SCANNER ASSEMBLY (IR-ADV 4525)

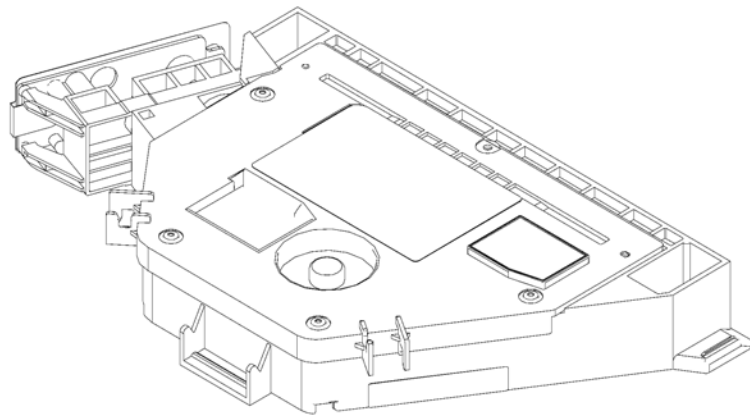


FIGURE & KEY NO.	PART NUMBER	R A N K	QTY	DESCRIPTION	SERIAL NUMBER /REMARKS
460A	FM1-M052-000		1	LASER SCANNER ASSEMBLY	IR-ADV 4525 SERIES

Figure 460B LASER SCANNER ASSEMBLY (IR-ADV 4551, 4545, 4535)

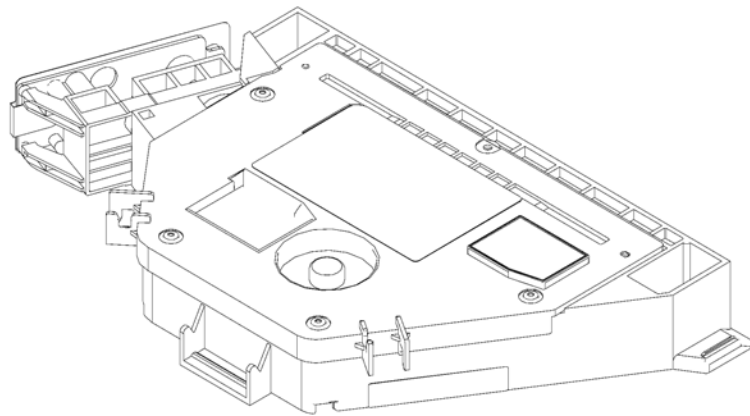


FIGURE & KEY NO.	PART NUMBER	R A N K	QTY	DESCRIPTION	SERIAL NUMBER /REMARKS
460B	FM1-M053-000		1	LASER SCANNER ASSEMBLY	IR-ADV 4551,4545,4535 SERIES

Figure 620 HOPPER ASSEMBLY

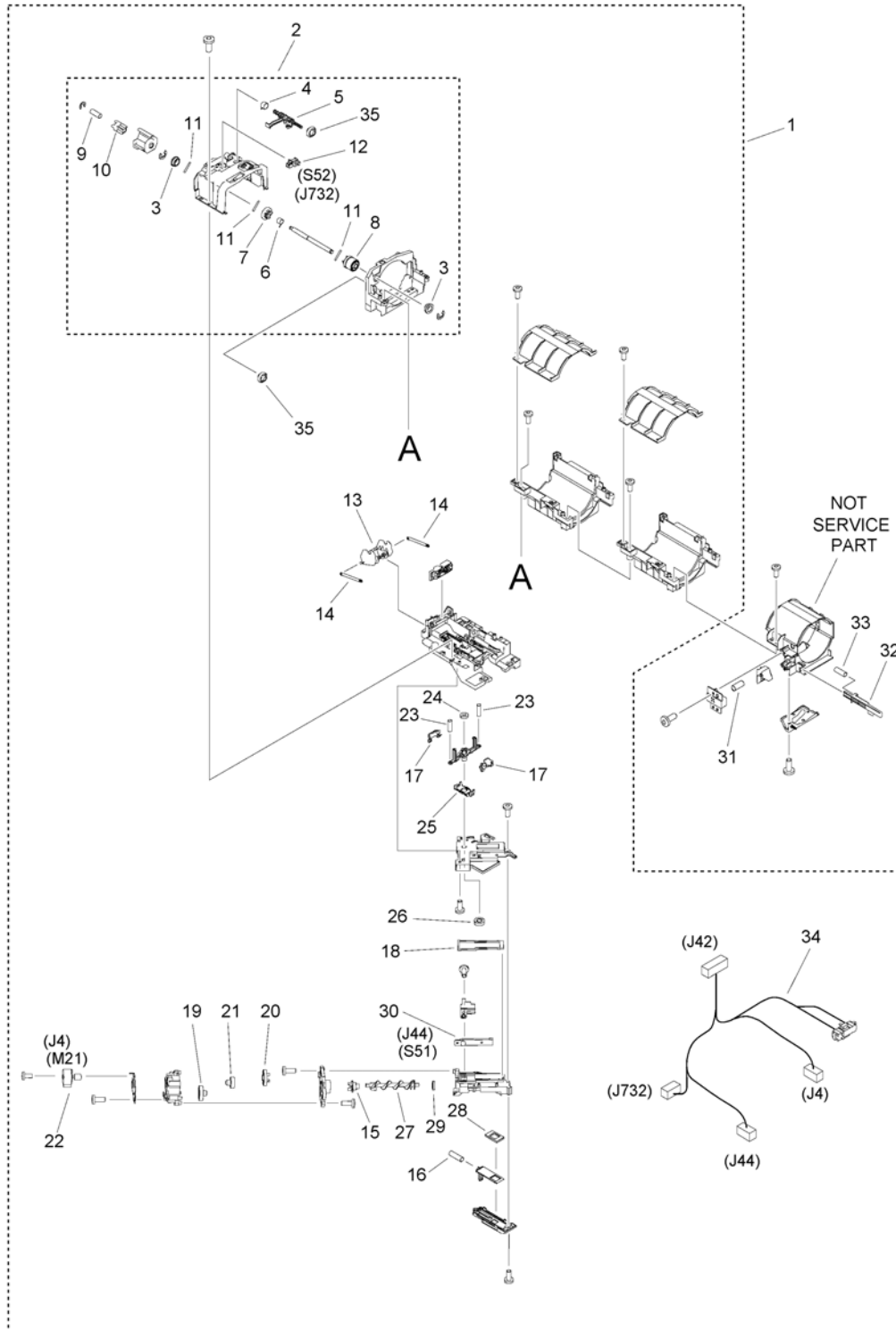


FIGURE & KEY NO.	PART NUMBER	RANK	QTY	DESCRIPTION	SERIAL NUMBER /REMARKS
620	NPN		RF	HOPPER ASSEMBLY	
1	4Y8-3112-000		1	HOPPER ASSEMBLY	
2	FM1-J133-000		1	UPPER PUMP HOLDER ASSEMBLY	
3	FC9-1593-000		2	BUSHING	
4	FE4-6786-000		1	SPRING, TORSION	
5	FE4-6787-000		1	FLAG, HP SENSOR	
6	FE4-6841-000		1	SPRING, TORSION	
7	FE4-6845-000		1	CAM, BOTTLE DRIVE GEAR	
8	FE4-6855-000		1	GEAR, 23T	
9	FE4-6842-000		1	SPRING, COMPRESSION	
10	FE4-6859-000		1	COUPLING	
11	XD9-0291-000		3	PIN, PARALLEL	
12	WG8-5836-000		1	IC PHOTOINTERRUPTER, HYBRID	S52
13	FE4-6781-000		1	TOGGLE	
14	FE4-6782-000		2	SPRING, TENSION	
15	FE4-6797-000		1	COUPLING	
16	FE4-6822-000		1	SPRING, COMPRESSION	
17	FE4-6835-000		2	SHUTTER	
18	FE4-6877-000		1	SEAL, TONER FEED	
19	FE4-6826-000		1	GEAR, 17T/50T	
20	FE4-6827-000		1	GEAR, 54T	
21	FE4-6838-000		1	GEAR, 37T/17T	
22	FK4-2683-000		1	MOTOR, STEPPING, DC	M21
23	FE4-6837-000		2	SPRING, COMPRESSION	
24	FL0-5680-000		1	SEAL, SHUTTER NOZZLE	
25	FE4-6795-000		1	STOPPER, NOZZLE	
26	FL0-5681-000		1	SEAL, NOZZLE	
27	FM1-J186-000		1	SCREW, TONER FEED	
28	FL0-5685-000		1	SEAL, SHUTTER	
29	MB4-8201-000		1	SEAL, OIL	
30	WP2-5282-000		1	SENSOR, ELECTROMAGNETIC	S51
31	FE4-6868-000		1	SPRING, COMPRESSION	
32	FE4-6869-000		1	LOCK, COVER	
33	FE4-6872-000		1	SPRING, COMPRESSION	
34	FM1-N873-000		1	CABLE, HOPPER	
35	FE4-6831-000		2	ROLLER	

Figure 640 DEVELOPING ASSEMBLY

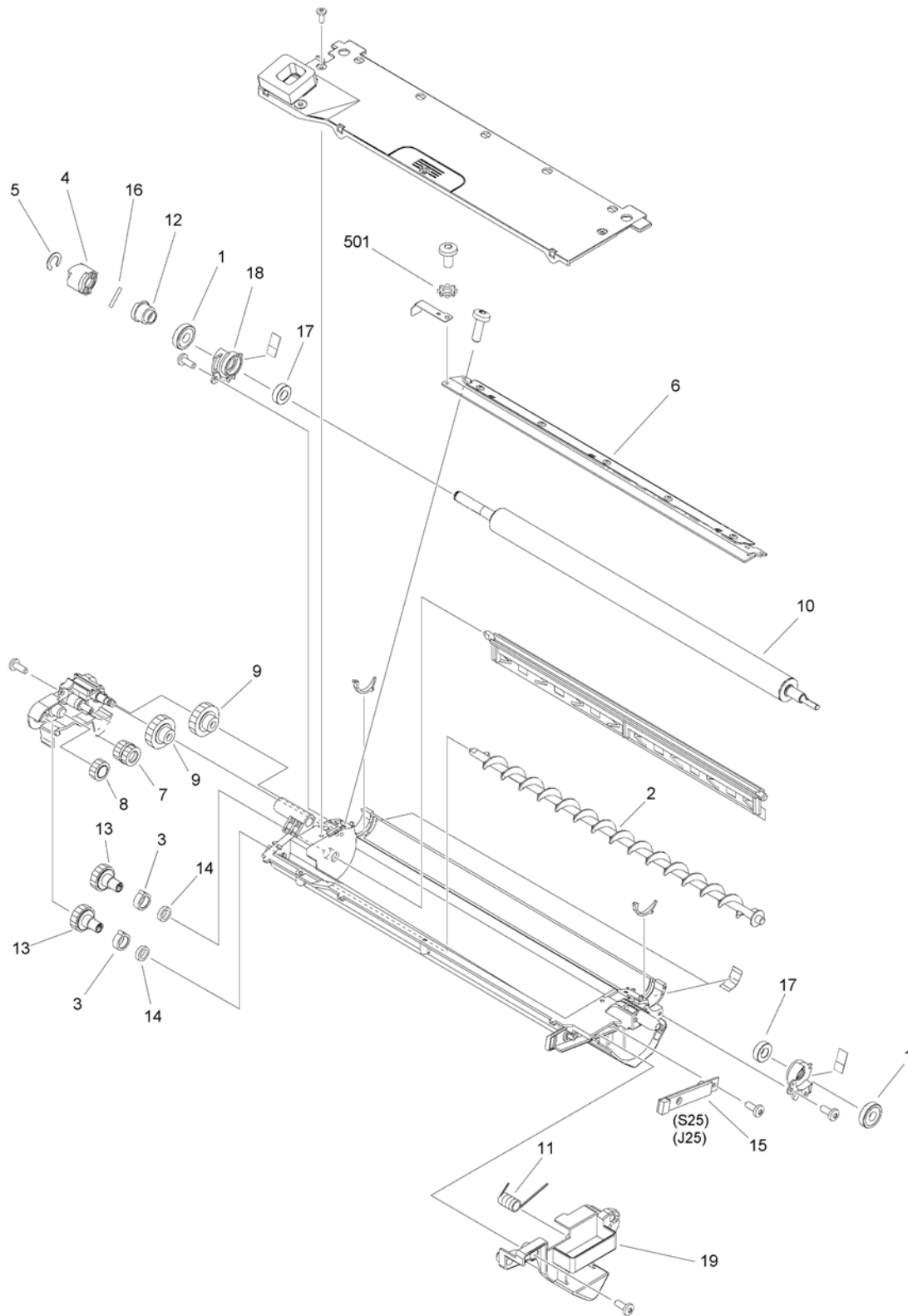


FIGURE & KEY NO.	PART NUMBER	RANK	QTY	DESCRIPTION	SERIAL NUMBER /REMARKS
640	FM1-J148-000		1	DEVELOPING ASSEMBLY	[DP]
1	FC0-5122-000		2	ROLLER	
2	FC9-1610-000		1	FEEDSCREW, TONER	
3	FC9-1613-000		2	BUSHING	
4	FE4-6689-000		1	COUPLING, DEVELOPING	
5	FE4-8138-000		1	RING, C	
6	FM3-9265-000		1	BLADE ASSEMBLY	
7	FU8-0509-000		1	GEAR, 18T/18T	
8	FU8-0510-000		1	GEAR, 18T	
9	FU8-0512-000		2	GEAR, 31T/13T	
10	FM4-9170-000		1	DEVELOPING CYLINDER ASSEMBLY	
11	FU7-2916-000		1	SPRING, TORSION	
12	FU8-0511-000		1	GEAR, 16T	
13	FU8-0553-000		2	GEAR, 24T	
14	MB4-8201-000		2	SEAL, OIL	
15	WP2-5282-000		1	SENSOR, ELECTROMAGNETIC	S25
16	XD9-0290-000		1	PIN, PARALLEL	
17	XG9-0387-000		2	BEARING, BALL, L-1680HH LY13	
18	FC9-0596-000		1	HOLDER, SLEEVE, REAR	
19	FC9-0592-010		1	HOLDER, DEVELOPING FRONT	
501	XD1-4200-302		1	WASHER, TOOTHED LOCK, M3	

Figure 770 WASTE TONER BOX ASSEMBLY

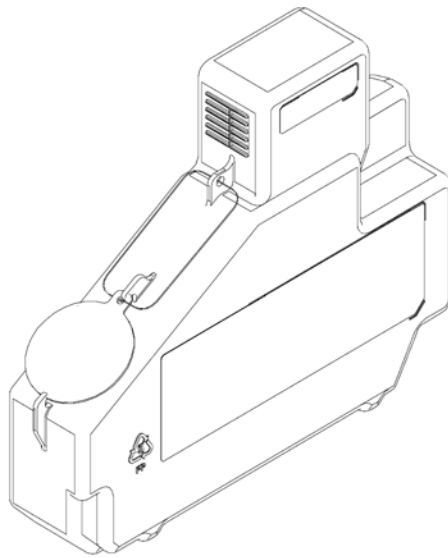


FIGURE & KEY NO.	PART NUMBER	R A N K	QTY	DESCRIPTION	SERIAL NUMBER /REMARKS
770	FM3-9276-030		1	WASTE TONER BOX ASSEMBLY	[DP]

FIGURE & KEY NO.	PART NUMBER	RANK	QTY	DESCRIPTION	SERIAL NUMBER /REMARKS
810B	FM1-J021-000		1	FIXING ASSEMBLY	SEE NOTE, 230V IR-ADV 4551, [DP]
1	FC0-0293-000		9	CAP,DUST	
2	FC0-2394-000		1	GUIDE, DELIVERY LOWER	
3	FC0-2406-000		1	COLLAR, FIXING DELIVERY	
4	FC0-2413-000		1	FLAG, SENSOR	
5	FC0-4356-000		2	SCREW, STEPPED	
6	FC5-1367-000		1	SPRING,SENSOR LEVER	
7	FC5-7182-000		2	HOUSING,BEARING	
8	FC9-0781-010		1	GUIDE, FIXING ENTRANCE, 1	
9	FC9-0782-000		1	ELIMINATOR, STATIC CHARGE	
10	FC9-8968-000		1	ELIMINATOR, STATIC CHARGE	
11	FC9-8974-000		1	ROLLER, PRESSURE	
12	FE2-0466-000		1	LABEL, CAUTION	
13	FE3-3212-000		2	BUSHING	
14	FE4-6880-000		1	BRACKET, DELIVERY UPPER GUIDE	
15	FE4-6907-000		1	SPRING, TORSION	
16	FE4-6923-000		2	SPRING, COMPRESSION	
17	FE4-6924-000		1	CAM, RELEASE FRONT	
18	FE4-6925-000		1	CAM, RELEASE REAR	
19	FE4-6927-000		1	GEAR, 35T	
20	FE4-6928-000		1	CAM, TRANSMISSION	
21	FE4-6929-000		1	GEAR, 27T	
22	FE4-6930-000		1	GEAR, 25T	
23	FE4-6931-000		1	CAM, TRANSMISSION	
24	FE4-6932-000		1	GEAR, 36T	
25	FE4-6933-000		1	GEAR, 26T	
26	FE4-7124-000		1	GUIDE, FIXING CABLE	
27	FE4-7125-000		1	LINK, PRESSURE RELEASE	
28	FC9-7720-000		2	COLLAR, FIXING DELIVERY	
29	FE2-0464-000		1	SCREW, FIXED, M4	
30	FU7-2934-000		2	SPRING, RETAINING	
31	FM1-J004-000		1	H.V. CONTACT GUIDE ASSEMBLY	
32	FM1-J036-000		1	FIXING FILM ASSEMBLY	
33	FM1-N888-000		1	CABLE, FIXING OUTLET	
34	FU6-8898-000		1	LABEL,HIGH TEMPERATURE CAUTION	
35	WG8-5836-000		2	IC PHOTOINTERRUPTER, HYBRID	S53, S19
36	XD9-0288-000		2	PIN, DOWEL	
37	XG9-0875-000		2	BEARING, BALL, NS P0 16MM	
38	4Y8-3117-000		1	GUIDE, FIXING ENTRANCE	
39	XD9-0134-000		1	RING, E	

Figure 810E FIXING ASSEMBLY (230V EXCEPT IR-ADV 4551)

NOTE : This assembly includes the assemblies shown in Figure 815, 816.

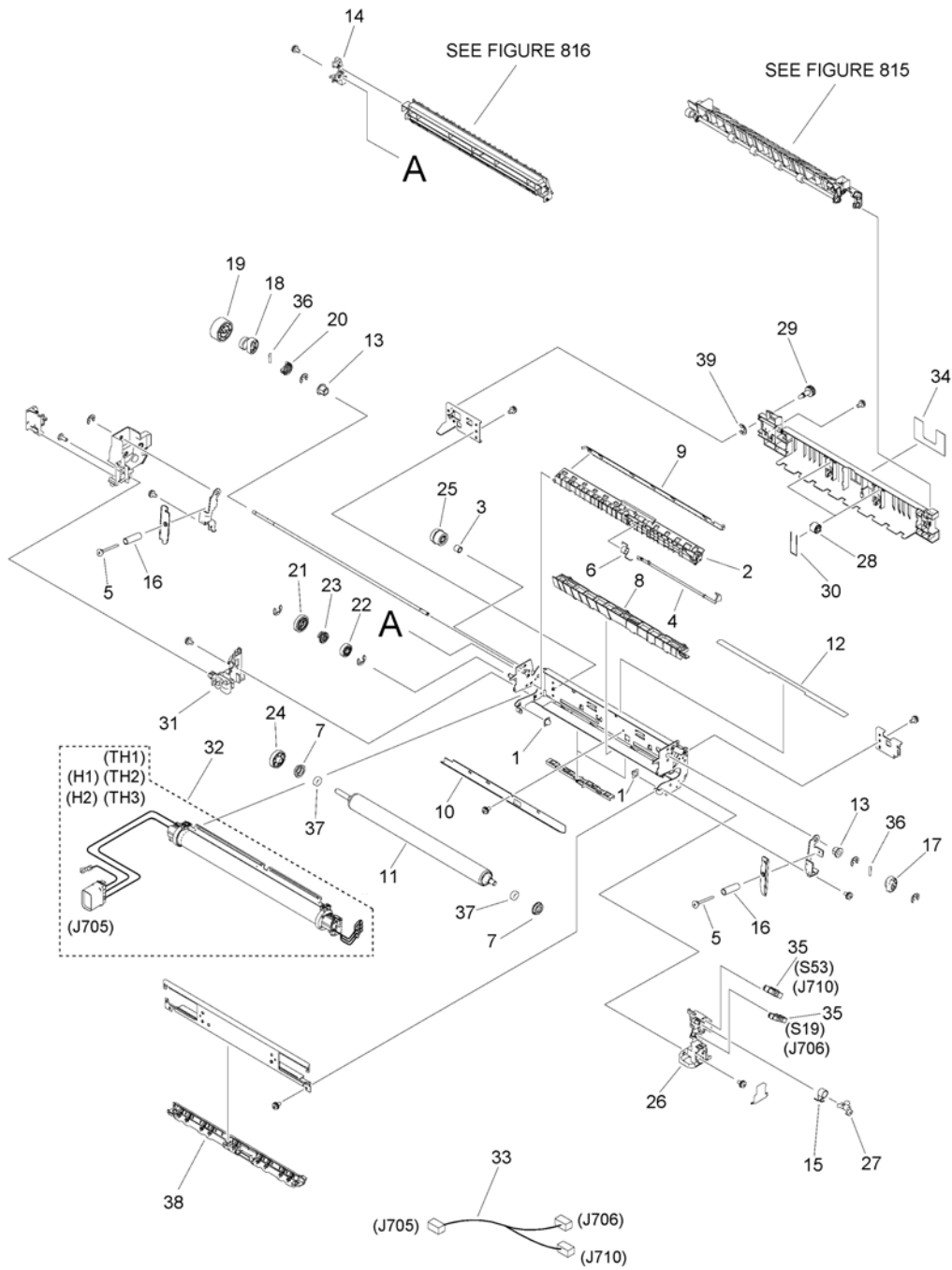


FIGURE & KEY NO.	PART NUMBER	RANK	QTY	DESCRIPTION	SERIAL NUMBER /REMARKS
810E	FM1-J024-000		1	FIXING ASSEMBLY	SEE NOTE, 230V EXCEPT IR-ADV 4551, [DP]
1	FC0-0293-000		9	CAP,DUST	
2	FC0-2394-000		1	GUIDE, DELIVERY LOWER	
3	FC0-2406-000		1	COLLAR, FIXING DELIVERY	
4	FC0-2413-000		1	FLAG, SENSOR	
5	FC0-4356-000		2	SCREW, STEPPED	
6	FC5-1367-000		1	SPRING,SENSOR LEVER	
7	FC5-7182-000		2	HOUSING,BEARING	
8	FC9-0781-010		1	GUIDE, FIXING ENTRANCE, 1	
9	FC9-0782-000		1	ELIMINATOR, STATIC CHARGE	
10	FC9-8968-000		1	ELIMINATOR, STATIC CHARGE	
11	FC9-8974-000		1	ROLLER, PRESSURE	
12	FE2-0466-000		1	LABEL, CAUTION	
13	FE3-3212-000		2	BUSHING	
14	FE4-6880-000		1	BRACKET, DELIVERY UPPER GUIDE	
15	FE4-6907-000		1	SPRING, TORSION	
16	FE4-6923-000		2	SPRING, COMPRESSION	
17	FE4-6924-000		1	CAM, RELEASE FRONT	
18	FE4-6925-000		1	CAM, RELEASE REAR	
19	FE4-6927-000		1	GEAR, 35T	
20	FE4-6928-000		1	CAM, TRANSMISSION	
21	FE4-6929-000		1	GEAR, 27T	
22	FE4-6930-000		1	GEAR, 25T	
23	FE4-6931-000		1	CAM, TRANSMISSION	
24	FE4-6932-000		1	GEAR, 36T	
25	FE4-6933-000		1	GEAR, 26T	
26	FE4-7124-000		1	GUIDE, FIXING CABLE	
27	FE4-7125-000		1	LINK, PRESSURE RELEASE	
28	FC9-7720-000		2	COLLAR, FIXING DELIVERY	
29	FE2-0464-000		1	SCREW, FIXED, M4	
30	FU7-2934-000		2	SPRING, RETAINING	
31	FM1-J004-000		1	H.V. CONTACT GUIDE ASSEMBLY	
32	FM1-J039-000		1	FIXING FILM ASSEMBLY	
33	FM1-N888-000		1	CABLE, FIXING OUTLET	
34	FU6-8898-000		1	LABEL,HIGH TEMPERATURE CAUTION	
35	WG8-5836-000		2	IC PHOTOINTERRUPTER, HYBRID	S53, S19
36	XD9-0288-000		2	PIN, DOWEL	
37	XG9-0875-000		2	BEARING, BALL, NS P0 16MM	
38	4Y8-3117-000		1	GUIDE, FIXING ENTRANCE	
39	XD9-0134-000		1	RING, E	

Figure 815 DELIVERY LOWER GUIDE ASSEMBLY

NOTE : This assembly is included in the assembly shown in Figure 810.

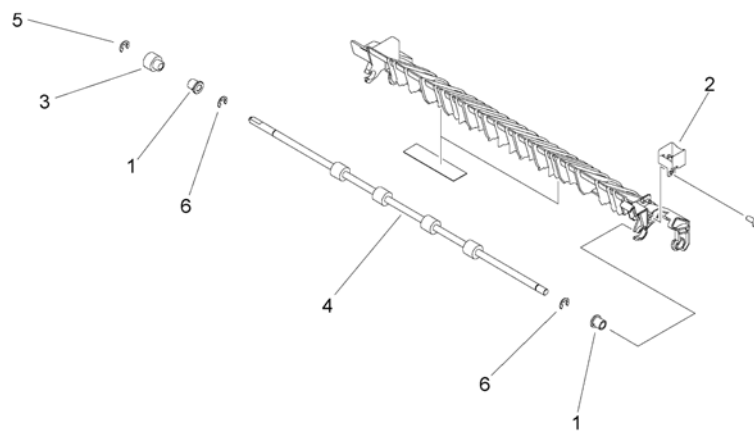


FIGURE & KEY NO.	PART NUMBER	RANK	QTY	DESCRIPTION	SERIAL NUMBER /REMARKS
815	FM1-J002-000		1	DELIVERY LOWER GUIDE ASSEMBLY	SEE NOTE
1	FA9-4041-005		2	BUSHING	
2	FC0-3074-000		1	HOLDER, FIXING PAPER DELIVERY	
3	FE4-6934-000		1	GEAR, 15T	
4	FL0-5715-000		1	ROLLER, FIXING PAPER DELIVERY	
5	XD9-0134-000		1	RING, E	
6	XD9-0136-000		2	RING, E	

Figure 816 DELIVERY UPPER GUIDE ASSEMBLY

NOTE : This assembly is included in the assembly shown in Figure 810.

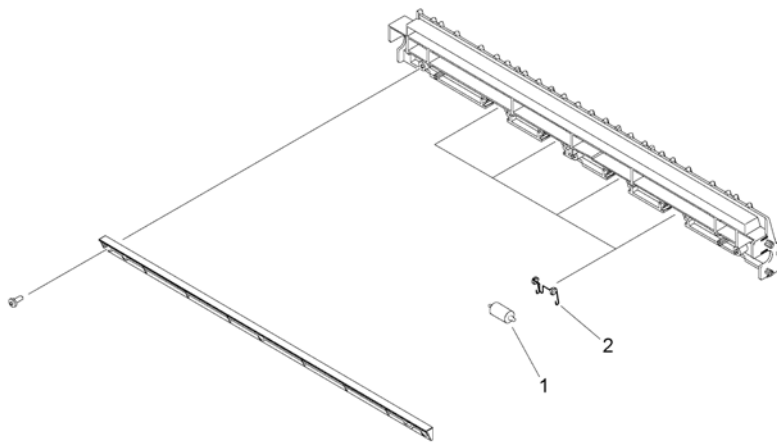


FIGURE & KEY NO.	PART NUMBER	R A N K	QTY	DESCRIPTION	SERIAL NUMBER /REMARKS
816	FM1-H799-000		1	DELIVERY UPPER GUIDE ASSEMBLY	SEE NOTE
1	FE4-6887-000		4	ROLLER, INNER, PAPER DELIVERY	
2	FE4-6888-000		4	SPRING, TORSION	

Figure 900A CONTROLLER BOX ASSEMBLY (MODEL WITHOUT FAX)

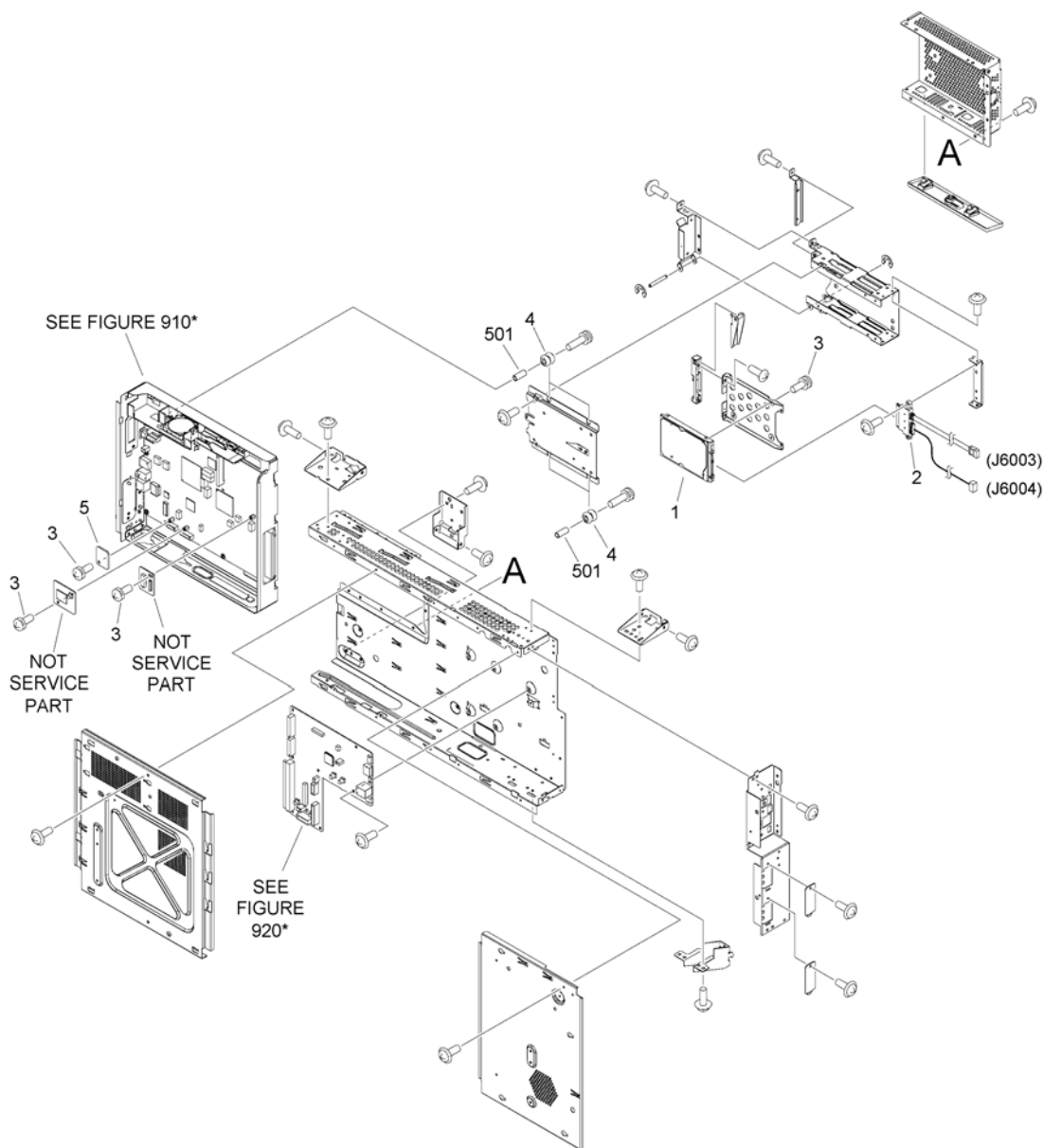


FIGURE & KEY NO.	PART NUMBER	RANK	QTY	DESCRIPTION	SERIAL NUMBER /REMARKS
900A	NPN		RF	CONTROLLER BOX ASSEMBLY	MODEL WITHOUT FAX
1	FK4-1550-000		1	HARD DISK DRIVE, MQ01ABF032	
2	FK4-2497-000		1	CABLE, HARD DISK DRIVE, 1	
3	XA9-1979-000		7	SCREW, MACH. PAN HEAD, M3X4	
4	XH9-0149-000		4	DAMPER, CUSHION	
5	FM1-M981-000		1	TPM PCB ASSEMBLY	
501	XZ1-1301-005		4	SPACER	

Figure 910A MAIN CONTROLLER PCB ASS'Y (IR-ADV 4551)

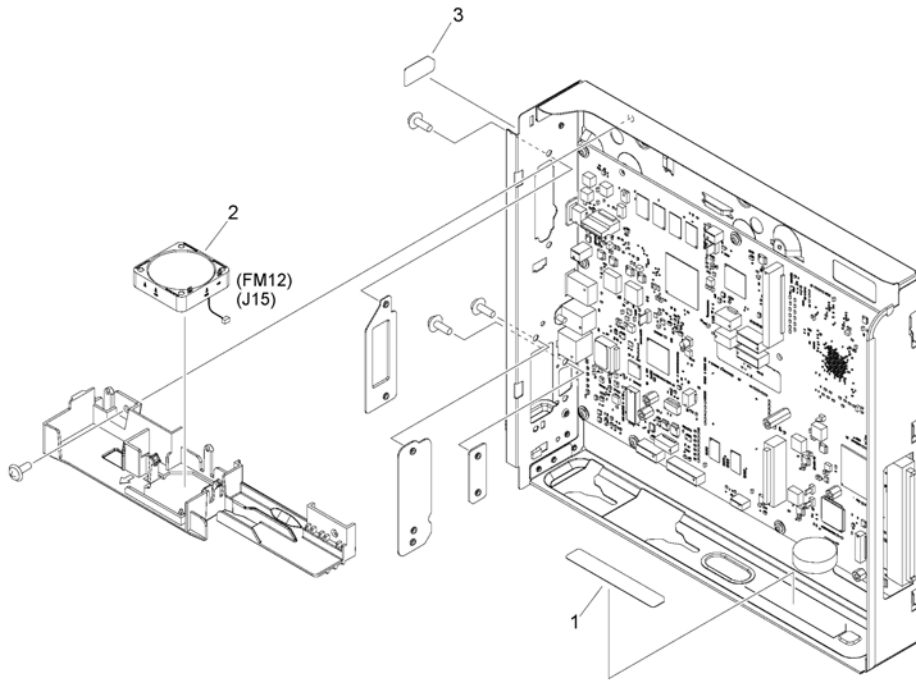


FIGURE & KEY NO.	PART NUMBER	RANK	QTY	DESCRIPTION	SERIAL NUMBER /REMARKS
910A	4Y8-3113-000		1	MAIN CONTROLLER PCB ASSEMBLY	IR-ADV 4551 SERIES
1	FC0-5049-000		1	LABEL, MEMORY CAUTION	
2	FK4-2852-000		1	FAN	FM12
3	FU8-8257-000		1	LABEL, CAUTION	

Figure 910B MAIN CONTROLLER PCB ASS'Y (IR-ADV 4545)

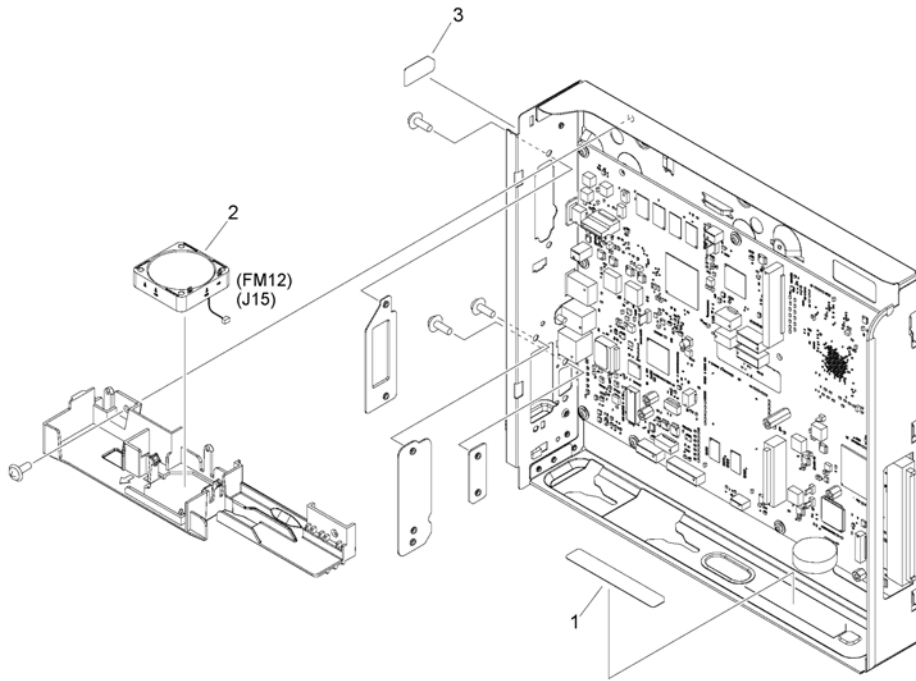


FIGURE & KEY NO.	PART NUMBER	RANK	QTY	DESCRIPTION	SERIAL NUMBER /REMARKS
910B	4Y8-3114-000		1	MAIN CONTROLLER PCB ASSEMBLY	IR-ADV 4545 SERIES
1	FC0-5049-000		1	LABEL, MEMORY CAUTION	
2	FK4-2852-000		1	FAN	FM12
3	FU8-8257-000		1	LABEL, CAUTION	

Figure 910C MAIN CONTROLLER PCB ASS'Y (IR-ADV 4535)

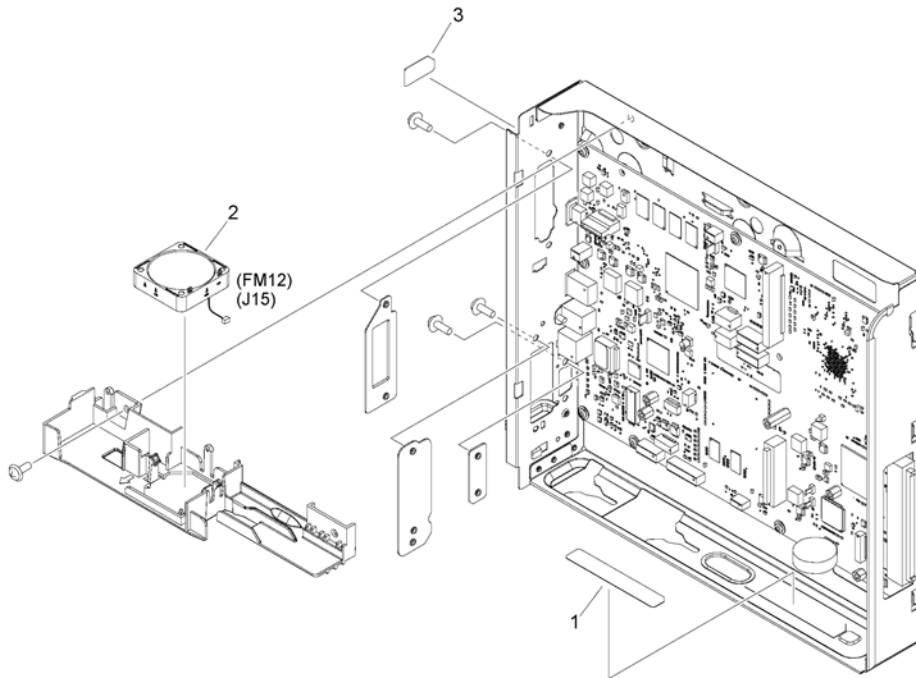


FIGURE & KEY NO.	PART NUMBER	RANK	QTY	DESCRIPTION	SERIAL NUMBER /REMARKS
910C	4Y8-3115-000		1	MAIN CONTROLLER PCB ASSEMBLY	IR-ADV 4535 SERIES
1	FC0-5049-000		1	LABEL, MEMORY CAUTION	
2	FK4-2852-000		1	FAN	FM12
3	FU8-8257-000		1	LABEL, CAUTION	

Figure 910D MAIN CONTROLLER PCB ASS'Y (IR-ADV 4525)

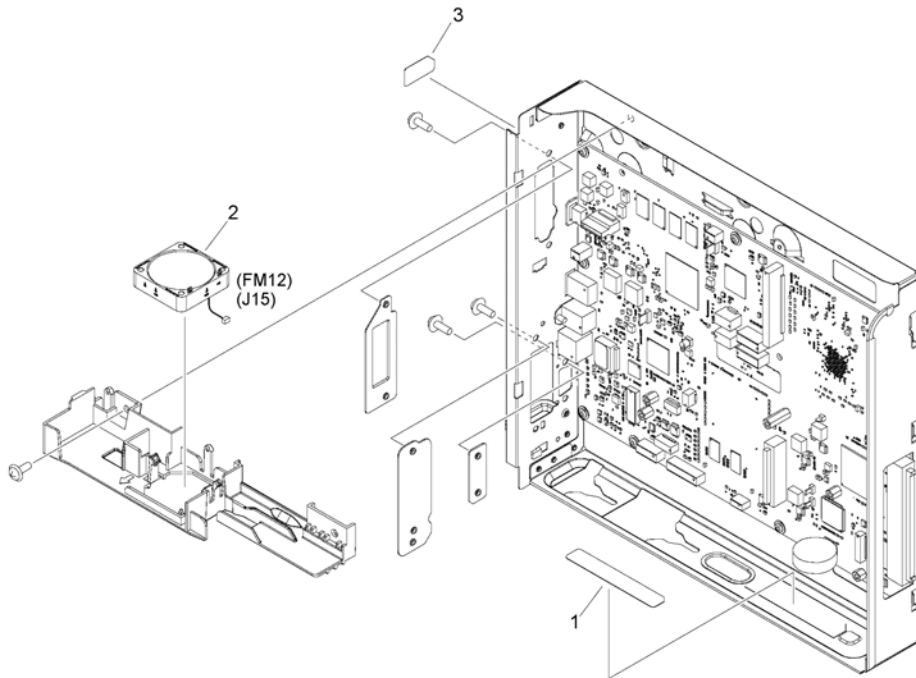


FIGURE & KEY NO.	PART NUMBER	RANK	QTY	DESCRIPTION	SERIAL NUMBER /REMARKS
910D	4Y8-3116-000		1	MAIN CONTROLLER PCB ASSEMBLY	IR-ADV 4525 SERIES
1	FC0-5049-000		1	LABEL, MEMORY CAUTION	
2	FK4-2852-000		1	FAN	FM12
3	FU8-8257-000		1	LABEL, CAUTION	

Figure 920A RISER PCB ASSEMBLY (IR-ADV 4551, 4545)

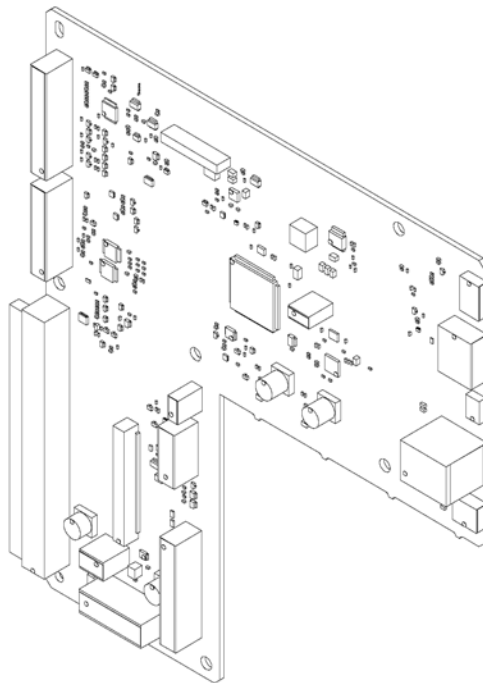


FIGURE & KEY NO.	PART NUMBER	R A N K	QTY	DESCRIPTION	SERIAL NUMBER /REMARKS
920A	FM1-X821-000		1	RISER PCB ASSEMBLY	IR-ADV 4551,4545 SERIES
IC	FK2-7852-000		1	IC, T6TH5EFG-0002(0), STANDARD	IC7

Figure 920B RISER PCB ASSEMBLY (IR-ADV 4535, 4525)

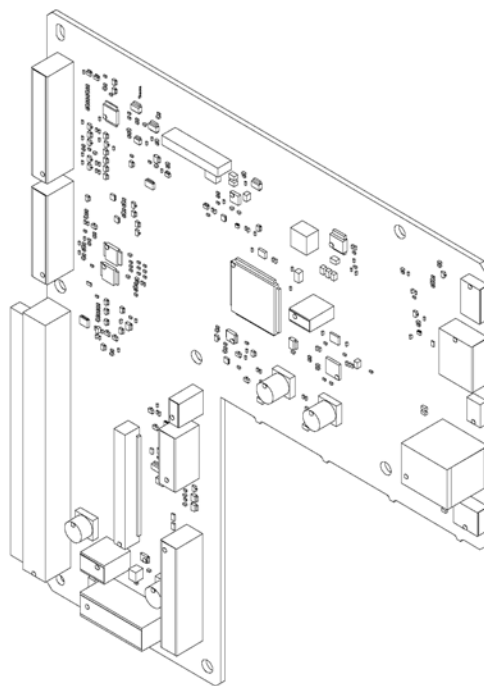


FIGURE & KEY NO.	PART NUMBER	R A N K	QTY	DESCRIPTION	SERIAL NUMBER /REMARKS
920B	FM1-X822-000		1	RISER PCB ASSEMBLY	IR-ADV 4535,4525 SERIES
IC	FK2-7852-000		1	IC, T6TH5EFG-0002(0), STANDARD	IC7

Figure 930 ENGINE CONTROLLER PCB ASSEMBLY

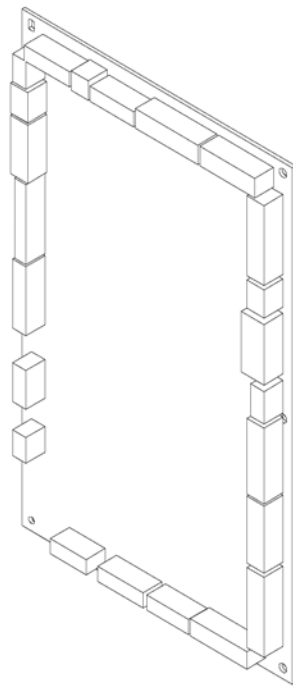


FIGURE & KEY NO.	PART NUMBER	RANK	QTY	DESCRIPTION	SERIAL NUMBER /REMARKS
930	FM1-N844-000		1	ENGINE CONTROLLER PCB ASSEMBLY	
IC	FK3-2323-000		2	IC, ASIC, T6VN7EFG-0002	IC2,IC3
IC	FK2-1773-000		1	IC,TC200GO2EFG-1031,GATE ARRAY	IC4

Figure 980 HIGH VOLTAGE PCB ASSEMBLY

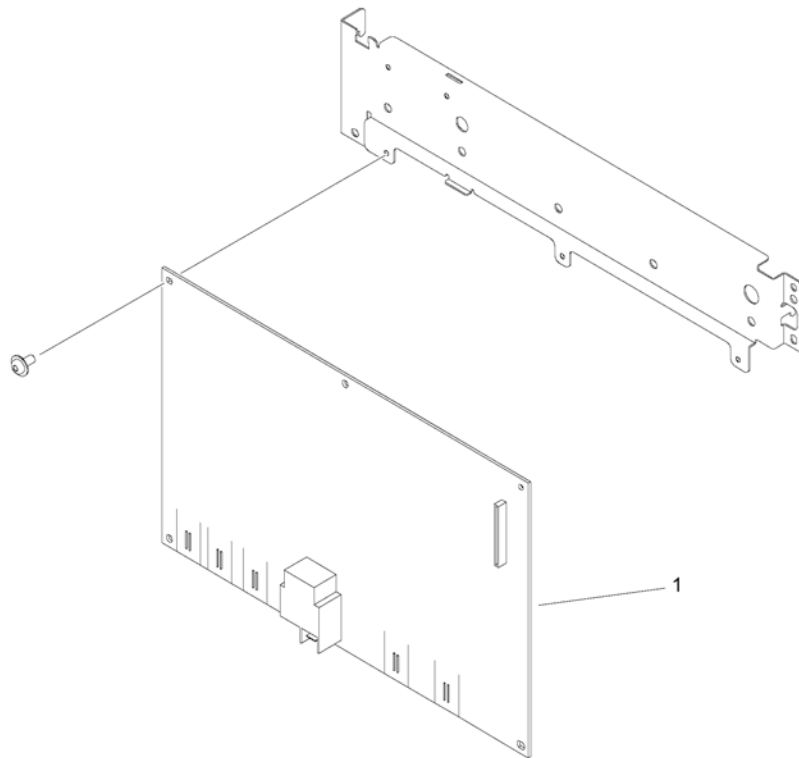


FIGURE & KEY NO.	PART NUMBER	R A N K	QTY	DESCRIPTION	SERIAL NUMBER /REMARKS
980	NPN		RF	HIGH VOLTAGE PCB ASSEMBLY	
1	FM1-N845-000		1	H.V. TRANSFER PCB ASSEMBLY	

FIGURE & KEY NO.	PART NUMBER	RANK	QTY	DESCRIPTION	SERIAL NUMBER /REMARKS
D11C	NPN		RF	READER ASSEMBLY	
1	FC0-0691-000		2	SHEET, HINGE COVER	
2	FC0-9291-000		1	SHEET, GLASS PROTECTIVE	
3	FC8-6163-000		4	PULLEY	
4	FC8-6180-000		1	PULLEY	
5	FE2-1752-000		2	SPACER, SHAFT CUSHION	
6	FE3-9178-000		6	CAP	
7	FE8-4448-000		1	SPRING, GROUNDING	
8	FE4-6301-000		1	LABEL, CLEANING POSITION	
9	FE4-6293-000		1	LABEL, COPY INHIBITED	US English
9	FE4-6305-000		1	LABEL, COPY INHIBITED	UK English
9	FE4-6306-000		1	LABEL, COPY INHIBITED	French
9	FE4-6307-000		1	LABEL, COPY INHIBITED	German
9	FE4-6308-000		1	LABEL, COPY INHIBITED	Italian
10	FE8-2694-000		1	COVER, MAINTENANCE	
11	FE8-1820-000		1	COVER, HINGE LOWER, LEFT	
12	FE8-1821-000		1	COVER, HINGE LOWER, RIGHT	
13	FE8-1823-000		1	FLAG, OPEN/CLOSE SENSOR	
14	FE8-3729-000		1	COVER, GLASS SUPPORT	
15	FE8-3730-000		1	COVER, READER, LEFT	
16	FE8-1853-000		2	COVER, GLASS RETAINING	
17	FK4-4240-000		1	CABLE, FLAT	
18	FK4-4383-000		1	IC, PHOTO SENSOR,DOCUMENT SIZE	S14
19	FK4-2334-000		1	CABLE, INTERFACE	
20	FL1-1271-000		1	COVER, READER, REAR	
21	FL0-6480-000		1	COVER, SIDE, RIGHT	
22	FL1-1972-000		1	COVER, READER, FRONT	
23	FL1-0634-000		1	GLASS, COPYBOARD	
24	FL1-0800-000		7	SEAL	
25	FL1-0835-000		1	GUIDE, FRAME, LOWER	
26	FL3-4761-000		4	COVER, GLASS RETAINING	
27	FL3-3206-000		1	GLASS, READER	
28	FL3-8297-000		1	LABEL, SERVICE, SCANNER UNIT	
29	FM0-2744-000		1	SCANNER UNIT	
30	FM1-N611-000		1	CABLE, POWER	
31	FM1-X830-000		1	MOTION SENSOR PCB ASSEMBLY	
32	FM1-M875-000		1	CABLE, SIZE SENSING	
33	FM1-M876-000		1	CABLE, SIZE SENSOR	
34	FM1-N784-000		1	WIRELESS NETWORK PCB ASSEMBLY	
35	FM4-6171-000		1	MOTOR ASS'Y	M14
36	FM4-6430-000		1	CABLE, OPTICAL MOTOR	
37	FU5-3710-000		1	PULLEY, 24T/41T	
38	FU8-2481-000		1	SPRING, TENSION	
39	FU8-2497-000		1	SPRING, TORSION	

FIGURE & KEY NO.	PART NUMBER	RANK	QTY	DESCRIPTION	SERIAL NUMBER /REMARKS
40	FU8-2600-000		1	SPRING, TENSION	
41	XA9-1415-000		10	SCREW, FLAT HEAD, M4	
42	XD9-0136-000		5	RING, E	
43	XF2-4606-835		1	BELT, TIMING	
44	WG8-5848-000		1	IC, PHOTO-INTERRUPTER	S11
45	XF2-4668-040		1	BELT, TIMING	
46	XA9-1116-030		5	SCREW,M3X5	
47	XA9-1386-000		4	SCREW,RS,M3X8	
48	FL1-2164-000		1	APERTURE, SENSOR	
49	WG8-5935-000		2	IC, PHOTO INTERRUPTER	S12, S13
50	FL1-1086-000		1	SEAL, CABLE BLANKING	

Figure D90 READER CONTROLLER PCB ASSEMBLY

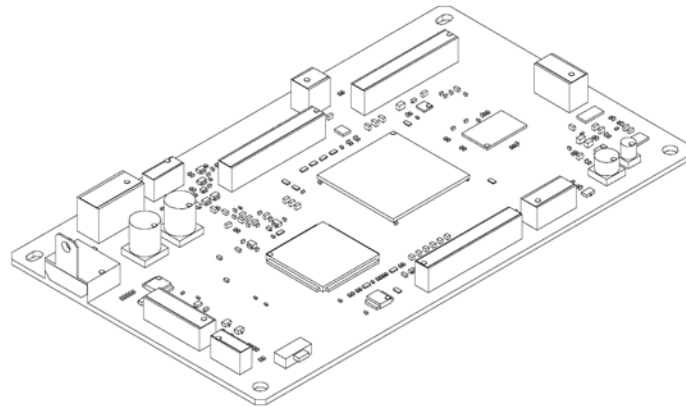


FIGURE & KEY NO.	PART NUMBER	R A N K	QTY	DESCRIPTION	SERIAL NUMBER /REMARKS
D90	FM1-Z885-000		1	READER CONTROLLER PCB ASSEMBLY	
IC	FK3-3872-000		1	IC, STANDARD SELL, MB8AA4600PB	IC1013

Figure E10 IC CARD READER BOX

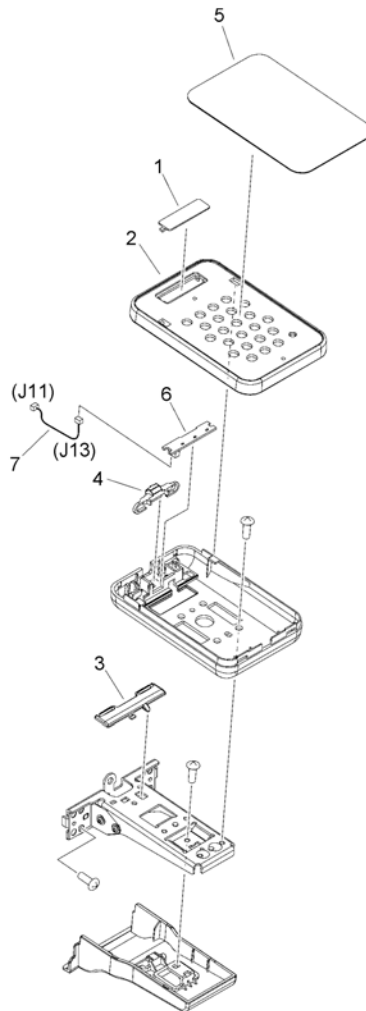


FIGURE & KEY NO.	PART NUMBER	RANK	QTY	DESCRIPTION	SERIAL NUMBER /REMARKS
E10	NPN		RF	IC CARD READER BOX	
1	FE4-2089-000		1	GUIDE, LAMP LED	
2	FE4-8497-000		1	COVER, UPPER	
3	FE4-9062-000		1	COVER, SMALL	
4	FE4-9063-000		1	STOPPER	
5	FL0-7961-000		1	SHEET	
6	FM1-M945-000		1	LED PCB ASSEMBLY	
7	FM1-T856-000		1	CABLE, CARD READER	

Figure H30 CASSETTE ASSEMBLY (UPPER)

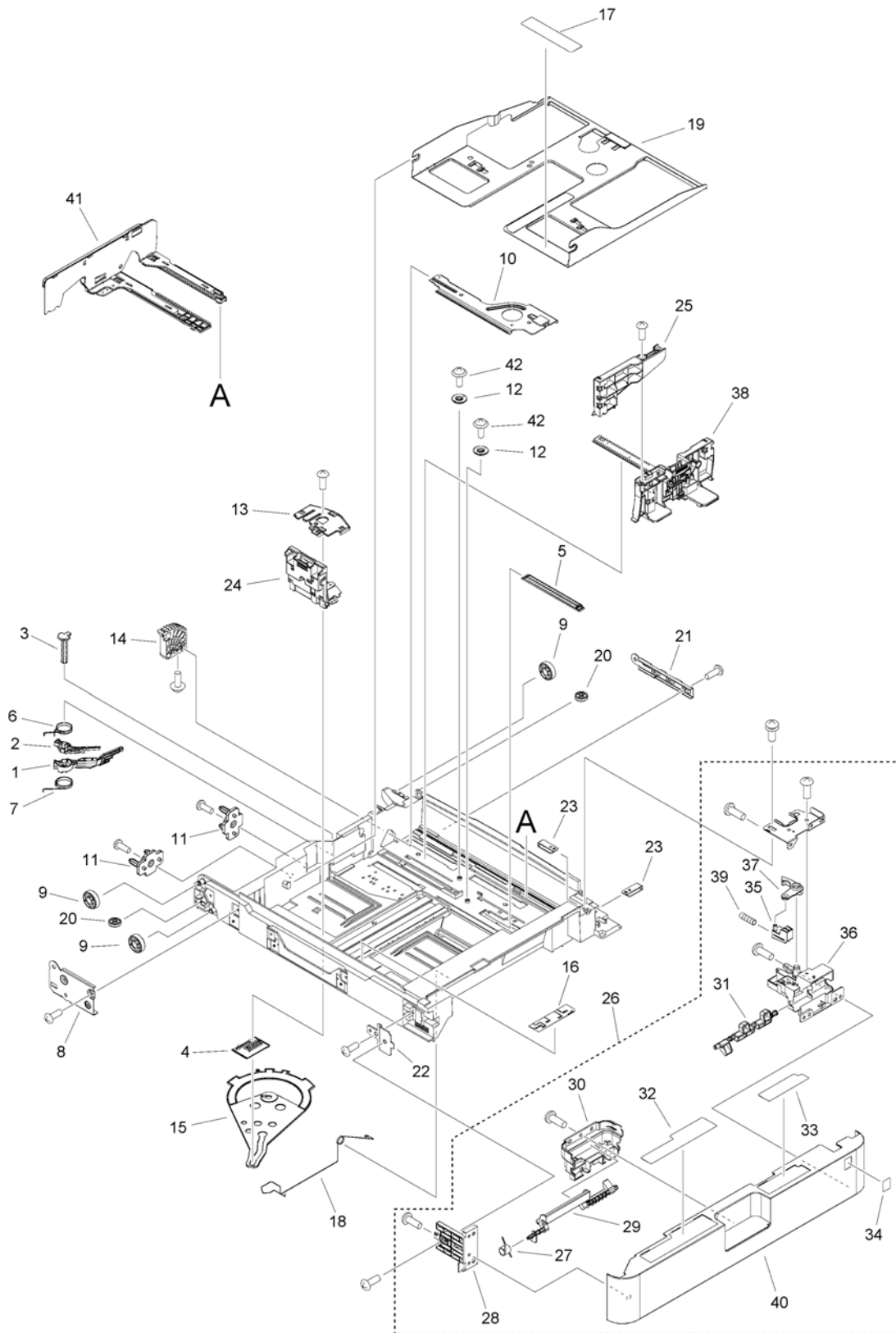


FIGURE & KEY NO.	PART NUMBER	RANK	QTY	DESCRIPTION	SERIAL NUMBER /REMARKS
H30	FM1-J113-000		1	CASSETTE ASSEMBLY	UPPER
1	FC8-2469-000		1	DIAL, DETECT, SMALL	
2	FC8-2470-000		1	DIAL, DETECT, LARGE	
3	FC8-2474-000		1	SHAFT	
4	FC8-2475-000		1	PLATE, JOINT	
5	FC8-2670-000		1	PLATE, FREE STOP	
6	FC8-2671-000		1	SPRING, TORSION	
7	FC8-2672-000		1	SPRING, TORSION	
8	FC9-0117-000		1	PLATE, CASSETTE ROLLER, LEFT	
9	FC8-4970-000		3	ROLLER, CASSETTE SWING	
10	FL3-2859-000		1	PLATE, LIFTER	
11	FC8-4989-000		2	PIN, SIZE DETECT POSITIONING	
12	FC8-4990-000		2	GEAR, 14T	
13	FC8-4996-000		1	COVER, TOP	
14	FC9-0129-000		1	GEAR, 9T	
15	FC9-0130-000		1	LINK, BACK END DETECT	
16	FC9-7243-000		1	LABEL, INDEX, SIZE M, BACK END	
17	FC9-7242-000		1	LABEL, INDEX, SIZE M, SIDE	
18	FC9-0140-000		1	SPRING, GROUNDING	
19	FL2-9472-000		1	PLATE, CENTER	
20	FS5-6945-000		2	COLLAR, REGISTRATION MULTI	
21	FC9-0118-000		1	PLATE, CASSETTE ROLLER, RIGHT	
22	FC9-0127-000		1	PLATE, COVER MOUNTING, L	
23	FC9-0128-000		2	PLATE, COVER MOUNTING, R	
24	FM3-8907-000		1	BACK END LIMIT PLATE ASSEMBLY	
25	FM3-8912-000		1	PAPER SIDE END EXTENSION ASS'Y	
26	FM1-J114-000		1	CASSETTE COVER ASSEMBLY, FRONT	
27	FE4-6738-000		1	SPRING, TORSION	
28	FC8-4993-000		1	PLATE, COVER ATTACHMENT, LEFT	
29	FE4-6743-000		1	HANDLE	
30	FE4-6745-000		1	COVER, HANDLE	
31	FE4-6747-000		1	SHAFT, CASSETTE, LINK	
32	FE4-7260-000		1	LABEL, PAPER SET, LEFT	
33	FE4-7267-000		1	LABEL, PAPER SET, RIGHT	
34	FE4-7284-000		1	LABEL, CASSETTE NUMBER, 1	
35	FE4-6748-000		1	LINK, HANDLE	
36	FE4-6750-000		1	HOLDER, LOCK ARM	
37	FE4-6752-000		1	ARM, LOCK	
38	FM3-8905-010		1	SIDE END PLATE ASSEMBLY, FRONT	
39	FU7-2518-000		1	SPRING, COMPRESSION	
40	FE4-7315-000		1	COVER, CASSETTE, FRONT	
41	FM3-8906-010		1	SIDE END PLATE ASSEMBLY, REAR	
42	XA9-2007-000		2	SCREW,B,M4,L8	

Figure H31 CASSETTE ASSEMBLY (LOWER)

NOTE : This assembly does not include the part shown with key No. 34.

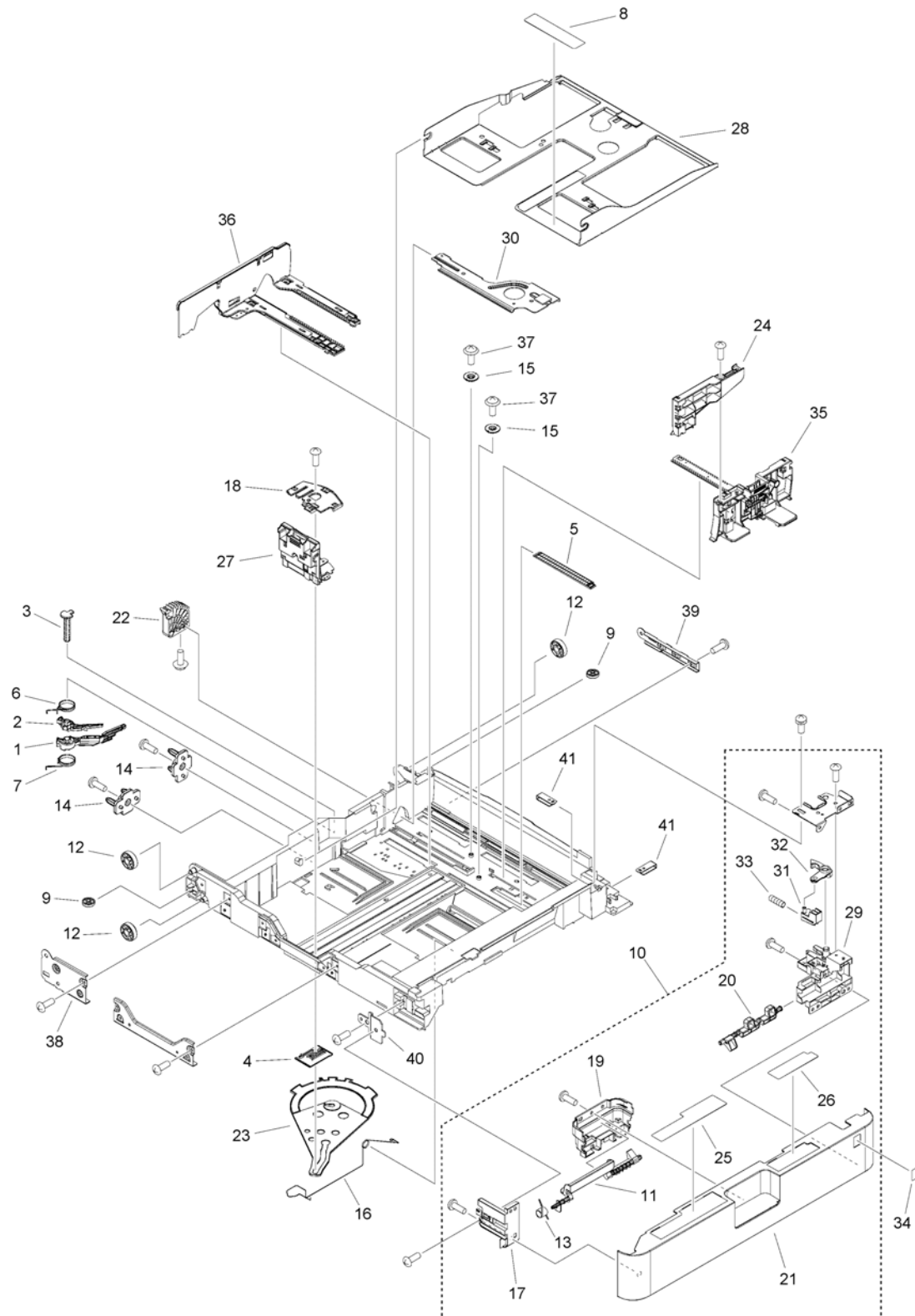


FIGURE & KEY NO.	PART NUMBER	RANK	QTY	DESCRIPTION	SERIAL NUMBER /REMARKS
H31	FM1-J208-000		1	CASSETTE ASSEMBLY	LOWER
1	FC8-2469-000		1	DIAL, DETECT, SMALL	
2	FC8-2470-000		1	DIAL, DETECT, LARGE	
3	FC8-2474-000		1	SHAFT	
4	FC8-2475-000		1	PLATE, JOINT	
5	FC8-2670-000		1	PLATE, FREE STOP	
6	FC8-2671-000		1	SPRING, TORSION	
7	FC8-2672-000		1	SPRING, TORSION	
8	FC8-4962-000		1	LABEL, SIZE INDEX, SIDE, LARGE	
9	FS5-6945-000		2	COLLAR, REGISTRATION MULTI	
10	FM1-J209-000		1	CASSETTE COVER ASSEMBLY, FRONT	
11	FE4-6743-000		1	HANDLE	
12	FC8-4970-000		3	ROLLER, CASSETTE SWING	
13	FE4-6738-000		1	SPRING, TORSION	
14	FC8-4989-000		2	PIN, SIZE DETECT POSITIONING	
15	FC8-4990-000		2	GEAR, 14T	
16	FC8-4992-000		1	WIRE, CENTER PLATE GROUNDING, L	
17	FE4-6777-000		1	PLATE, COVER ATTACHMENT	
18	FC8-4996-000		1	COVER, TOP	
19	FE4-6745-000		1	COVER, HANDLE	
20	FE4-6747-000		1	SHAFT, CASSETTE, LINK	
21	FE4-7315-000		1	COVER, CASSETTE, FRONT	
22	FC9-0129-000		1	GEAR, 9T	
23	FC9-0130-000		1	LINK, BACK END DETECT	
24	FM3-8912-000		1	PAPER SIDE END EXTENSION ASS'Y	
25	FE4-7260-000		1	LABEL, PAPER SET, LEFT	
26	FE4-7267-000		1	LABEL, PAPER SET, RIGHT	
27	FM3-8907-000		1	BACK END LIMIT PLATE ASSEMBLY	
28	FL2-9472-000		1	PLATE, CENTER	
29	FE4-6751-000		1	HOLDER, LOCK ARM	
30	FL3-2859-000		1	PLATE, LIFTER	
31	FE4-6748-000		1	LINK, HANDLE	
32	FE4-6752-000		1	ARM, LOCK	
33	FU7-2518-000		1	SPRING, COMPRESSION	
34	FE4-7285-000		1	LABEL, CASSETTE NUMBER 2	SEE NOTE
35	FM3-8905-010		1	SIDE END PLATE ASSEMBLY, FRONT	
36	FM3-8906-010		1	SIDE END PLATE ASSEMBLY, REAR	
37	XA9-2007-000		2	SCREW, B, M4, L8	
38	FC9-0117-000		1	PLATE, CASSETTE ROLLER, LEFT	
39	FC9-0118-000		1	PLATE, CASSETTE ROLLER, RIGHT	
40	FC9-0127-000		1	PLATE, COVER MOUNTING, L	
41	FC9-0128-000		2	PLATE, COVER MOUNTING, R	

Figure ZZA MECHANICAL STANDARD PARTS (HOW TO USE)

Mechanical standard parts 機械標準部品

About a mechanical standard parts

A Mechanical standard parts is a mechanical part which not parts peculiar to a product.
They are parts which are common to a Canon product and are used, such as a screw and a washer.
The Fig No. and parts number of the mechanical standard parts are not listed in the product parts catalog.
Refer to the parts catalog of mechanical standard parts when checking the parts number for screw or washer etc. and identify them by part shape or size.

機械標準部品とは

機械標準部品とは、製品特有の部品ではなく、ねじやワッシャなどキヤノン製品共通で使用されている機械部品（メカ部品）のことです。
製品のパーツカタログには、機械標準部品のFig No.や部品番号は記載していません。
ねじや、ワッシャ等の部品番号を調べる時は、機械標準部品のパーツカタログを参照し、部品の形状や大きさから判断し、使用している部品を調べてください。

Material and surface treatment of a mechanical standard parts

Material and surface treatment of mechanical standard parts are assigned commonly for each part.
Refer to the Table 1 for the parts which material and surface treatment are assigned as numbers.

機械標準部品の材料および表面処理

機械標準部品の材料および表面処理については、各種部品共通で決められています。
材料および表面処理が番号で決められている部品については、表1を参照してください。

Table 1 Material and Surface treatment
表1 材料および表面処理

No. 番号	Material 材料	Surface treatment 表面処理	Color 色
1	Stainless steel ステンレス	Stainless steel black coloring (BC4) ステンレス黒着色(BC4)	Black 黒
2		not to be given なし	White 白
3	Brass 黄銅	Regular nickel plating (NL) 普通ニッケルメッキ(NL)	White 白
4		Black nickel plating (BN) 黒色ニッケルメッキ(BN)	Black 黒
5	Steel 鋼	White zinc trivalent chromate treating (ZC3) 白色亜鉛3価クロメート(ZC3)	White 白
6		Regular nickel chromium plating (NC) 普通ニッケルクロムメッキ(NC)	White 白
7		Regular nickel plating (NL) 普通ニッケルメッキ(NL)	White 白
8		Iron and steel phosphating (P1) 鉄鋼燐酸塩処理(P1)	Black 黒
9		Black zinc trivalent chromate treating (BZ3) 黒色亜鉛3価クロメート(BZ3)	Black 黒

Figure ZZB (1/7)MECHANICAL STANDARD PARTS (SCREWS)

1. Screws
ねじ

How to read Parts Numbers
部品番号の見方

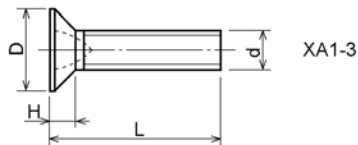
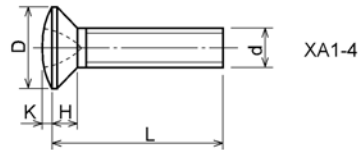
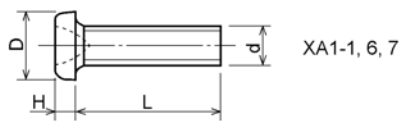
Screws
ねじ

XB1-2400-609

Type No.
類別番号
Normal designation (d)
ねじの呼び (d)
Length (L)
ねじの長さ (L)
Material and Surface treatment
材料および表面処理

XB1-2 expresses Binding head machine screw.
XB1-2は、バインドねじを表す
40 expresses M4.0.
40は、M4.0を表す
0-60 expresses a length of 6.0mm.
0-60は、6.0mmの長さを表す
9 expresses Steel (Black zinc trivalent chromate
treating) from Table 1.
9は、表1より鋼 (黒色亜鉛3価クロメート) を表す

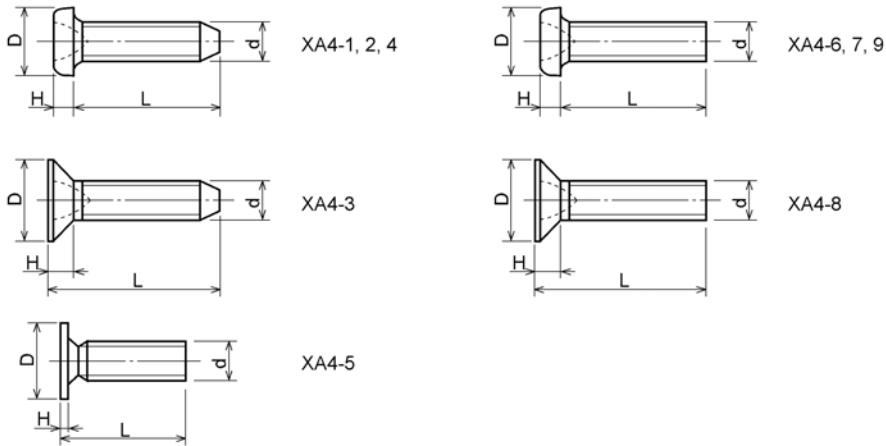
1-1. Cross Recessed Head Screws for Precision Equipments
精密機器用十字穴付き小ねじ



Type No. 類別番号	Type 類別	Head size (mm) 頭部寸法 (mm)						
		M1.4	M1.6	M1.7	M2	M2.5	M2.6	
XA1-1	Pan head Class 1 なべ1種	D	2	2.4	2.5	3	3.8	4
		H	0.5	0.55	0.5	0.6	0.9	0.8
XA1-3	Countersunk head Class 1 さら1種	D	2	2.4	2.5	3	3.8	4
		H	0.48	0.55	0.58	0.73	0.85	0.93
XA1-4	Oval countersunk head Class 1 丸さら1種	D	2	2.4	2.5	3	3.8	4
		H + K	0.68	0.8	0.88	1	1.25	1.3
XA1-6	Pan head Class 3 なべ3種	D	2.5	2.8	3	3.5	4.3	4.5
		H	0.8	0.85	0.9	1	1.3	1.2
XA1-7	Pan head Class 2 なべ2種	D	2.5	2.8	3	3.5	4.3	4.5
		H	0.5	0.55	0.5	0.6	0.9	0.8

Figure ZZB (2/7)MECHANICAL STANDARD PARTS (SCREWS)

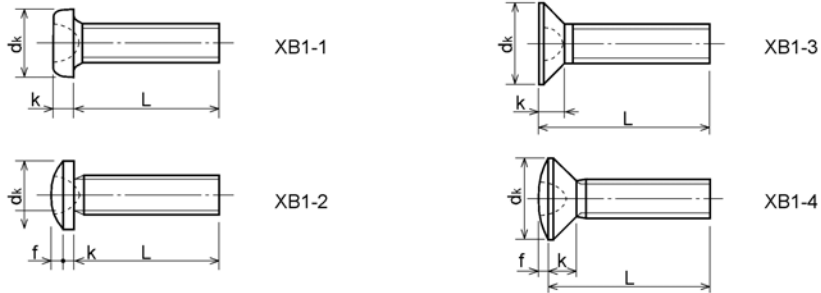
1-2. Precision Tapping Screws
精密用タッピンねじ



Type No. 類別番号	Type 類別	Head size (mm) 頭部寸法 (mm)					
		M1.4	M1.6	M1.7	M2	M2.5	M2.6
D XA4-1	With tapered end pan head Class 1 絞り-なべ1種	2	2.4	2.5	3	3.8	4
H XA4-1		0.5	0.55	0.5	0.6	0.9	0.8
D XA4-2	With tapered end pan head Class 3 絞り-なべ3種	2.5	2.8	3	3.5	4.3	4.5
H XA4-2		0.8	0.85	0.9	1	1.3	1.2
D XA4-3	With tapered end countersunk head 絞り-さら	2	2.4	2.5	3	3.8	4
H XA4-3		0.48	0.55	0.58	0.73	0.85	0.93
D XA4-4	With tapered end pan head Class 2 絞り-なべ2種	2.5	2.8	3	3.5	4.3	4.5
H XA4-4		0.5	0.55	0.5	0.6	0.9	0.8
D XA4-5	With parallel end ultra thin head ストレート-超薄頭	2.5	2.8	3	-	-	-
H XA4-5		0.2	0.2	0.2	-	-	-
D XA4-6	With parallel end pan head Class 1 ストレート-なべ1種	2	2.4	2.5	3	3.8	4
H XA4-6		0.5	0.55	0.5	0.6	0.9	0.8
D XA4-7	With parallel end pan head Class 3 ストレート-なべ3種	2.5	2.8	3	3.5	4.3	4.5
H XA4-7		0.8	0.85	0.9	1	1.3	1.2
D XA4-8	With parallel end countersunk head ストレート-さら	2	2.4	2.5	3	3.8	4
H XA4-8		0.48	0.55	0.58	0.73	0.85	0.93
D XA4-9	With parallel end pan head Class 2 ストレート-なべ2種	2.5	2.8	3	3.5	4.3	4.5
H XA4-9		0.5	0.55	0.5	0.6	0.9	0.8

Figure ZZB (3/7)MECHANICAL STANDARD PARTS (SCREWS)

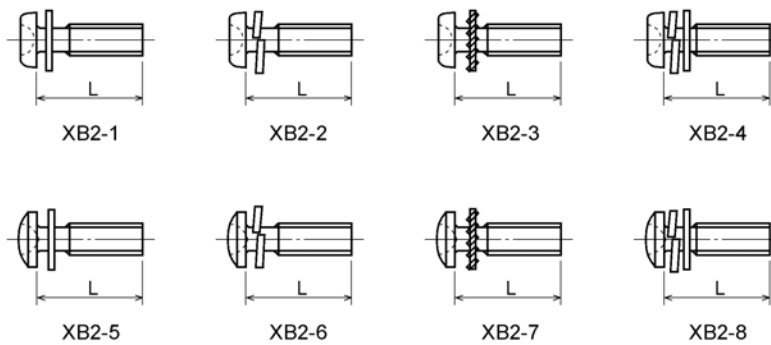
1-3. Cross Recessed Head Screws
一般用十字穴付き小ねじ



Type No. 類別番号	Type 類別	Head size (mm) 頭部寸法 (mm)					
		M2	M2.5	M2.6	M3	M4	M5
XB1-1	Pan head なべ	3.5	4.5	4.5	5.5	7	9
XB1-2	Binding head バインド	1.2	1.5	1.6	1.9	2.5	3.1
XB1-3	Countersunk head さら	4	5	-	6	8	10
XB1-4	Oval countersunk head 丸さら	1.6	2	-	2.45	3.2	4
Screw part length ねじ部長さ b		8	12	12	12	16	20

Figure ZZB (4/7) MECHANICAL STANDARD PARTS (SCREWS)

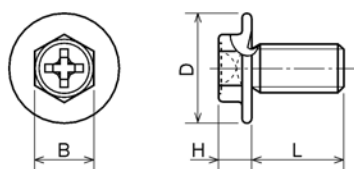
1-4. Cross Recessed Head Screws with Captive Washer
座金組込み十字穴付き小ねじ



Type No. 類別番号	Type 類別
XB2-1	Pan head + Plain washer (circular bright) なべねじ+平座金
XB2-2	Pan head + Spring washer なべねじ+ばね座金
XB2-3	Pan head + Toothed lock washer なべねじ+歯付座金
XB2-4	Pan head + Spring washer and plain washer (circular bright) なべねじ+(ばね+平)座金
XB2-5	Binding head + Plain washer (circular bright) バインドねじ+平座金
XB2-6	Binding head + Spring washer バインドねじ+ばね座金
XB2-7	Binding head + Toothed lock washer バインドねじ+歯付座金
XB2-8	Binding head + Spring washer and plain washer (circular bright) バインドねじ+(ばね+平)座金

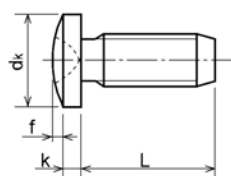
Figure ZZB (5/7) MECHANICAL STANDARD PARTS (SCREWS)

1-5. Hexagon Head Tapping Screws for Matallic Materials
 金属用六角タッピンねじ



Type No. 類別番号	Type 類別	Head size (mm) 頭部寸法 (mm)		
		M3	M4	
XB3-6	For metallic materials 金属用タッピン	D	8	10
		B	5.5	5.5
XB3-7	For metallic materials with clawed 金属用タッピン-つめ付き	H XB3-6	3.1	3.1
		H XB3-7	3.2	3.2

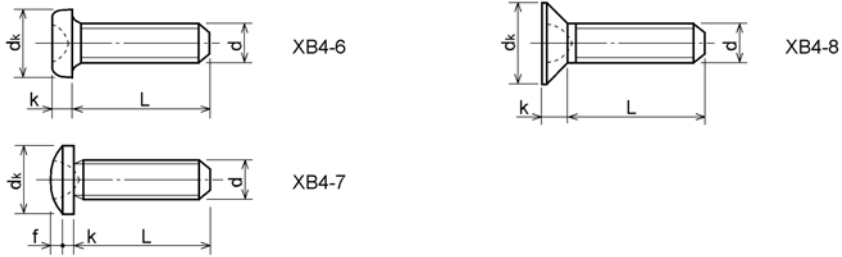
1-6. Special Tapping Screws
 特殊タッピンねじ



Type No. 類別番号	Type 類別	Head size (mm) 頭部寸法 (mm)		
		M3	M4	
XB4-5	Binding head バインド	dk	6.3	8.3
		k	1.3	1.7
		k+f	1.9	2.5

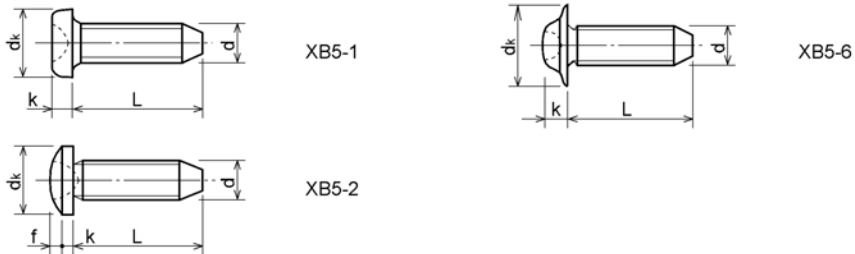
Figure ZZB (6/7) MECHANICAL STANDARD PARTS (SCREWS)

1-7. General Head Tapping Screws
一般用タッピンねじ



Type No. 類別番号	Type 類別	Head size (mm) 頭部寸法 (mm)						
		M2	M2.5	M2.6	M3	M4	M5	
XB4-6	Pan head なべ	dk	3.5	4.5	4.5	5.5	7	9
		k	1.3	1.7	1.7	2	2.6	3.3
XB4-7	Binding head バインド	dk	4.3	5.3	5.5	6.3	8.3	10.3
		k+f	1.2	1.5	1.6	1.9	2.5	3.1
XB4-8	Countersunk head さら	dk	4	5	5.2	6	8	10
		k	1.2	1.45	1.5	1.75	2.3	2.8

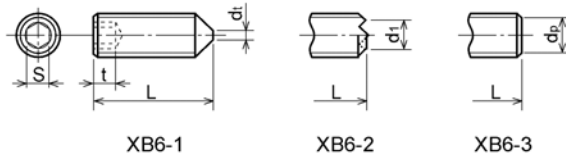
1-8. Tapping Screws for Metallic Materials
金属用タッピンねじ



Type No. 類別番号	Type 類別	Head size (mm) 頭部寸法 (mm)					
		M2.5	M2.6	M3	M4	M5	
XB5-1	Pan head なべ	dk	4.5	4.5	5.5	7	9
		k	1.7	1.7	2	2.6	3.3
XB5-2	Binding head バインド	dk	5.5	5.5	6.3	8.3	10.3
		k+f	1.6	1.6	1.9	2.5	3.1
XB5-6	Flanged pan head つば付きなべ	dk	6.5	6.5	8	10	12
		k	2.1	2.1	1.75	3.2	4

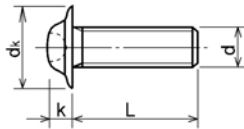
Figure ZZB (7/7)MECHANICAL STANDARD PARTS (SCREWS)

1-9. Hexagon Socket Set Screws
六角穴付き止めねじ



Type No. 類別番号	Type 類別	Head size (mm) 頭部寸法 (mm)						
		M1.6 M1.7	M2	M2.5 M2.6	M3	M5	M5	M6
	S	0.7	0.9	1.3	1.5	2	2.5	3
	t	1.5	1.7	2	2	2.5	3	3.5
	dt max XB6-1	0.4	0.5	0.65	0.75	1	1.25	1.5
	d1 max XB6-2	-	1.2	1.5	1.7	2.2	2.8	3.3
	d1 min XB6-2	-	1	1.2	1.4	1.9	2.4	2.9
	dp max XB6-3	0.8	1	1.5	2	2.5	3.5	4
	dp min XB6-3	0.55	0.75	1.25	1.75	2.25	3.2	3.7

1-10. Flanged Pan Head Machine Screws
つば付きなべ小ねじ



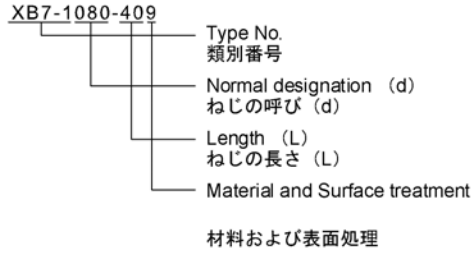
Type No. 類別番号	Type 類別	Head size (mm) 頭部寸法 (mm)				
		M2	M2.5 M2.6	M3	M5	M5
	dk	5	6.5	8	10	12
	k	1.7	2.1	2.5	3.2	4

Figure ZZC MECHANICAL STANDARD PARTS (BOLTS)

2. Bolts (Socket head cap screw)
ボルト

How to read Parts Numbers
部品番号の見方

Bolt (Socket head cap screw)
ボルト



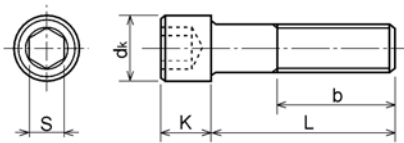
XB7-1 expresses Hexagon socket head cap screws.
XB7-1は、六角穴付きボルトを表す

080 expresses M8.0.
080は、M8.0を表す

40 expresses a length of 40mm.
40は、40mmの長さを表す

9 expresses Steel (Black zinc trivalent chromate treating) from Table 1.
9は、表1より鋼（黒色亜鉛3価クロメート）を表す

2-1. Hexagon socket head cap screws
六角穴付きボルト



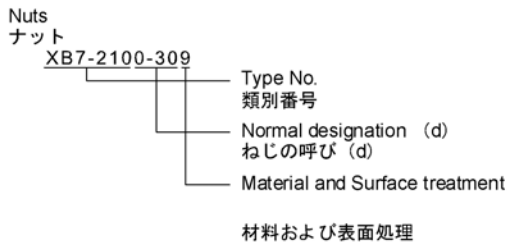
Type No. 類別番号	Type 類別
XB7-1	Hexagon socket head cap screws 六角穴付きボルト

	Head size (mm) 頭部寸法 (mm)						
	M3	M4	M5	M6	M8	M10	M12
S	2.5	3	4	5	6	8	10
dk	5.5	7	8.5	10	13	16	18
K	3	4	5	6	8	10	12
Screw part length ねじ部長さ b_{max}	18	20	22	24	28	32	36

Figure ZZD MECHANICAL STANDARD PARTS (NUTS)

3. Nuts
ナット

How to read Parts Numbers
部品番号の見方

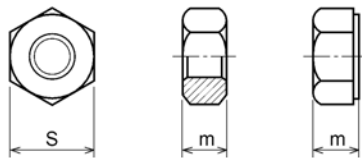


XB7-210 expresses Hexagon nut class 1.
XB7-210は、六角ナット1種を表す

0-30 expresses M3.0.
0-30は、M3.0を表す

9 expresses Steel (Black zinc trivalent chromate treating) from Table 1.
9は、表1より鋼（黒色亜鉛3価クロメート）を表す

3-1. Hexagon Nuts and Hexagon Thin Nuts
六角ナット



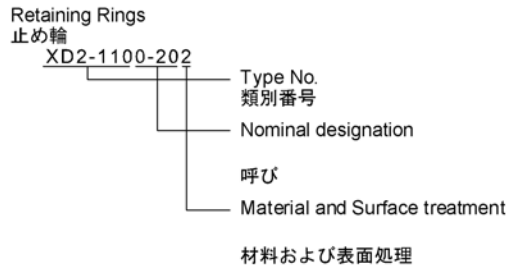
Type No. 類別番号	Type 類別
XB7-210	Hexagon nut Class 1 六角ナット-1種
XB7-220	Hexagon nut Class 3 六角ナット-3種
XB7-230	Hexagon nut Style 1 double chamfered 六角ナット-スタイル1-両面とり
XB7-231	Hexagon nut Style 1 washer faced 六角ナット-スタイル1-座付き
XB7-240	Hexagon nut Style 2 double chamfered 六角ナット-スタイル2-両面とり
XB7-241	Hexagon nut Style 2 washer faced 六角ナット-スタイル2-座付き
XB7-250	Hexagon nut 六角ナット
XB7-260	Hexagon thin nut double chamfered 六角低ナット-両面とり
XB7-270	Hexagon thin nut not chamfered 六角低ナット-面とり無し

	Head size (mm) 頭部寸法 (mm)						
	M2	M2.5	M3	M4	M5	M6	M8
S	4	5	5.5	7	8	10	13
m XB7-210	1.6	2	2.4	3.2	4	5	6.5
m XB7-220	1.2	1.6	1.8	2.4	3.2	3.6	5
m XB7-230, 231	1.6	2	2.4	3.2	4.7	5.2	6.8
m XB7-240, 241	-	-	-	-	5.1	5.7	7.5
m XB7-250	-	-	-	-	5.6	6.1	7.9
m XB7-260	1.2	1.6	1.8	2.2	2.7	3.2	4
m XB7-270	1.2	1.6	1.8	2.2	2.7	3.2	4

Figure ZZE (1/3)MECHANICAL STANDARD PARTS (RETAINING RINGS)

5. Retaining Rings
止め輪

How to read Parts Numbers
部品番号の見方

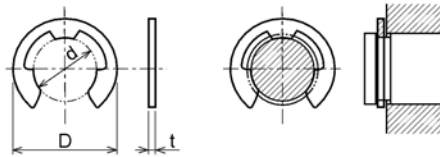


XD2-110 expresses retaining ring-E type (Type1).
XD2-110は、E形止め輪（1種）を表す

0-20 expresses a 020 of nominal designation.
(See Table 5)
0-20は、呼び020を表す（表5参照）

2 expresses Stainless steel (Surface treatment is not to be given) from Table 1.
2は、表1よりステンレス（表面処理なし）を表す

5-1. Retaining Rings - E type
E形止め輪



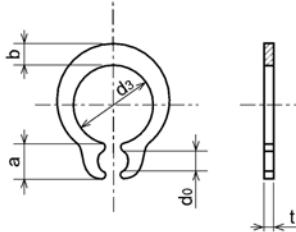
Type No. 類別番号	Type 類別
XD2-110	Retaining ring - E type (Type 1) E形止め輪（1種）
XD2-120	Retaining ring - E type (Type 2) E形止め輪（2種）

Table 5 表5

Type 種類	Nominal designation 呼び	d (mm)	D (mm)	t (mm)
Type 1 1種	007	0.65	2	0.2
	010	0.95	2.8	0.2
	013	1.25	3.3	0.3
	017	1.65	4.2	0.4
	020	1.95	4.6	0.5
	024	2.35	6	0.6
	028	2.74	6.5	0.6
	032	3.14	7.2	0.6
	037	3.64	8	0.7
	040	3.93	10	0.7
	042	4.13	10	0.7
	050	4.93	11	0.7
	058	5.73	12	0.7
	060	5.93	12.7	0.9
064	6.32	13.5	0.9	
074	7.31	15	0.9	
080	7.91	16.5	1	
Type 2 2種	008	0.8	2	0.2
	012	1.2	3	0.3
	015	1.5	4	0.4
	020	2	5	0.4
	025	2.5	6	0.4
	030	3	7	0.6
	040	4	9	0.6
	050	5	11	0.6
	060	6	12	0.8
	070	7	14	0.8
	080	8	16	0.8
	090	9	18	0.8
100	10	20	1	

Figure ZZE (2/3)MECHANICAL STANDARD PARTS (RETAINING RINGS)

5-2. Grip Rings
グリップ止め輪

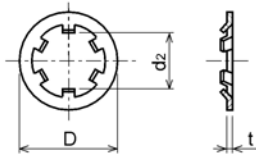


Type No. 類別番号	Type 類別
XD2-210	Grip ring グリップ止め輪

Table 5 表5

Nominal designation 呼び	d_3 (mm)	t (mm)	b (mm)	a (mm)	d_0 (mm)
020	1.9	0.5	1	1.8	0.8
025	2.35	0.5	1.2	1.9	0.9
030	2.85	0.6	1.4	1.9	0.9
035	3.3	0.6	1.6	2	0.9
040	3.8	0.8	1.8	2.8	1.2
045	4.25	0.8	2	2.9	1.3
050	4.75	0.8	2.2	2.9	1.3
060	5.7	1	2.4	3.1	1.4
070	6.7	1	2.7	3.3	1.4
080	7.7	1	3	3.5	1.4
090	8.65	1.2	3.3	4.7	1.5
100	9.65	1.2	3.5	4.7	2

5-3. Toothed Retaining Rings
歯付き形止め輪



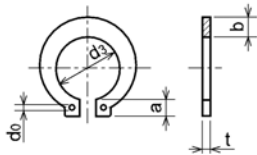
Type No. 類別番号	Type 類別
XD2-230	Toothed retaining ring 歯付き形止め輪

Table 5 表5

Nominal designation 呼び	d_2 (mm)	D (mm)	t (mm)	No of teeth 歯数
015	1.4	5.2	0.25	3
020	1.9	6	0.25	3
024	2.3	6.4	0.25	3
030	2.8	8	0.25	4
040	3.8	9	0.25	4
050	4.8	10	0.25	5
060	5.8	11	0.25	5
080	7.8	13	0.25	5
100	9.8	15.4	0.25	6

Figure ZZE (3/3)MECHANICAL STANDARD PARTS (RETAINING RINGS)

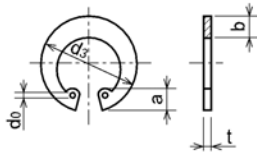
5-4. Retaining Rings - C Type
C形止め輪



Type No. 類別番号	Type 類別
XD2-310	Retaining ring - C type for shaft C形止め輪 軸用

Table 5 表5

Nominal designation 呼び	ds (mm)	t (mm)	b (mm)	a (mm)	d0 (mm)
010	9.3	1	1.6	3	1.2
012	11.1	1	1.8	3.2	1.5
014	12.9	1	2	3.4	1.7
015	13.8	1	2.1	3.5	1.7
016	14.7	1	2.2	3.6	1.7
017	15.7	1	2.2	3.7	1.7
018	16.5	1.2	2.6	3.8	1.7
020	18.5	1.2	2.7	3.9	2
022	20.5	1.2	2.7	4.1	2
025	23.2	1.2	3.1	4.3	2
028	25.9	1.5	3.1	4.6	2
030	27.9	1.5	3.5	4.8	2
032	29.6	1.5	3.5	5	2.5
035	32.2	1.5	4	5.4	2.5



Type No. 類別番号	Type 類別
XD2-320	Retaining ring - C type for hole C形止め輪 穴用

Table 5 表5

Nominal designation 呼び	ds (mm)	t (mm)	b (mm)	a (mm)	d0 (mm)
010	10.7	1	1.8	3.1	1.2
011	11.8	1	1.8	3.2	1.2
012	13	1	1.8	3.3	1.5
014	15.1	1	2	3.6	1.7
016	17.3	1	2	3.7	1.7
018	19.5	1	2.5	4	1.7
019	20.5	1	2.5	4	2
020	21.5	1	2.5	4	2
022	23.5	1	2.5	4.1	2
025	26.9	1.2	3	4.4	2
028	30.1	1.2	3	4.6	2
030	32.1	1.2	3	4.7	2
032	34.4	1.2	3.5	5.2	2.5
035	37.8	1.5	3.5	5.2	2.5
037	39.8	1.5	3.5	5.2	2.5
040	43.5	1.8	4	5.7	2.5
042	45.5	1.8	4	5.8	2.5
045	48.5	1.8	4.5	5.9	2.5
047	50.5	1.8	4.5	6.1	2.5
050	54.2	2	4.5	6.5	2.5
052	56.2	2	5.1	6.5	2.5
055	59.2	2	5.1	6.5	2.5
060	64.2	2	5.1	6.8	2.5
062	66.2	2	5.5	6.9	2.5
068	72.5	2.5	6	7.4	2.5
072	76.5	2.5	6.6	7.4	2.5
075	79.5	2.5	6.6	7.8	2.5
080	85.5	2.5	7	8	2.5
085	90.5	3	7	8	3
090	95.5	3	7.6	8.3	3
095	100.5	3	8	8.5	3