

---

## 2 Parts and diagrams

- [Order parts, accessories, and supplies](#)
- [Orderable parts](#)
- [Whole unit replacement \(WUR\)](#)
- [Service parts](#)
- [Related documentation and software](#)
- [Fasteners used in this product](#)
- [How to use the parts lists and diagrams](#)
- [Assembly locations](#)
- [Covers](#)
- [Right-door assembly](#)
- [Internal assemblies](#)
- [Accessories](#)
- [Alphabetical parts list](#)
- [Numerical parts list](#)

## Order parts, accessories, and supplies

You can obtain the following items directly from HP:

- **Replacement parts:** To order replacement parts in the U.S., go to [www.hp.com/go/hpparts/](http://www.hp.com/go/hpparts/). Outside the United States, order parts by contacting your local authorized HP service center.
- **Supplies and accessories:** To order supplies in the U.S., go to [www.hp.com/go/ljsupplies](http://www.hp.com/go/ljsupplies). To order supplies worldwide, go to [www.hp.com/ghp/buyonline.html](http://www.hp.com/ghp/buyonline.html). To order accessories, go to [www.hp.com/support/lj500colorMFPM570](http://www.hp.com/support/lj500colorMFPM570).

## Oderable parts

The following list of accessories was current at the time of printing. Ordering information and availability of the accessories might change during the life of the product.

### Accessories

**Table 2-1 Accessories**

<b>Item</b>	<b>Description</b>	<b>Product number</b>	<b>Part number</b>
1 x 500-sheet paper feeder		CE084A	CF084-67901
LaserJet printer cabinet		CE085A	CD644-67917
Power cords	Accy Power Cord - EU		8121-0731
	Accy Power Cord - UK		8121-0739
	Accy Power Cord - DEN		8121-0733
	Accy Power Cord - RSA		8121-0737
	Accy Power Cord - SWI		8121-0738
	Accy Power Cord - ISR		8121-1004
	Accy Power Cord - AEC		8121-0734
	Accy Power Cord - AUS		8121-0837
	Accy Power Cord - IND		8121-0564
	Accy Power Cord - CHN		8121-0943
	Accy Power Cord - TAI		8121-0964
	Accy Power Cord - ARG		8121-0729
	Accy Power Cord - CHI		8121-0735
	Accy Power Cord - BRAZIL		8121-1071
	Accy Power Cord - AMS		8121-0740

**Table 2-1 Accessories (continued)**

Item	Description	Product number	Part number
Phone cords	RJ11 - 4 Wire Telecom Cable		8120-8922
	DEN Telecom Cable		8120-8911
	ISR Telecom Cable		8120-8913
	SWI Telecom Cable		8121-0844
	RJ11 - 2 Wire Telecom Cable		8121-0811
	KOR Telecom Cable		8120-8908
	AUS Telecom Cable		8120-8907
	NZ Telecom Cable		8120-8921
USB cable	1.83 m (6 ft)		8121-0868

## Print cartridges and toner collection unit

Product name	Cartridge number	Part number (service)
HP Color LaserJet standard black print cartridge	CE400A	CE400-67901
HP Color LaserJet high capacity black print cartridge	CE400X	CE400-67902
HP Color LaserJet cyan print cartridge	CE401A	CE401-67901
HP Color LaserJet yellow print cartridge	CE402A	CE402-67901
HP Color LaserJet magenta print cartridge	CE403A	CE403-67901
Toner collection unit (TCU)	CE254A	RM1-4989-000CN
Fuser kit		CD644-67906 (110 V)
<ul style="list-style-type: none"> <li>Fuser assembly (110 V or 220 V)</li> <li>Installation instructions</li> <li>Recycle guide</li> </ul>		CD644-67907 (220 V)

**CAUTION:** Make sure that you order the correct kit for the rated voltage of your product.

## Customer self repair (CSR) and service kits

Product name	Part number
1 x 500-sheet paper feeder right door kit	CC468-67906
<ul style="list-style-type: none"><li>• Right-door assembly</li><li>• Right-door stopper</li><li>• Right-door link</li><li>• Installation instructions</li></ul>	
Duplex reverse guide kit	CC468-67913
<ul style="list-style-type: none"><li>• Duplex reverse guide</li><li>• Installation instructions</li></ul>	
Front-door assembly and name plate	CZ271-67901
<ul style="list-style-type: none"><li>• Front-door assembly</li><li>• HP Jewel</li><li>• Name plate</li><li>• Installation instructions</li></ul>	
Laser scanner assembly kit	CD644-67905
<ul style="list-style-type: none"><li>• Laser/scanner assembly</li><li>• Installation instructions</li></ul>	
Main drive assembly kit	CD644-67911
<ul style="list-style-type: none"><li>• Main drive assembly</li><li>• Installation instructions</li></ul>	
Tray 1 roller kit	CD644-67903
<ul style="list-style-type: none"><li>• Separation pad</li><li>• Pickup roller</li><li>• Installation instructions</li></ul>	
Tray 2 - x roller kit)	CD644-67904
<ul style="list-style-type: none"><li>• Separation roller assembly (Tray 2)</li><li>• Kit, paper pickup roller assembly</li><li>• Paper feed roller (1x500)</li><li>• Paper pick up roller (1x500)</li><li>• Installation instructions</li></ul>	

<b>Product name</b>	<b>Part number</b>
Secondary transfer (T2) roller kit <ul style="list-style-type: none"> <li>• Secondary transfer roller assembly</li> <li>• Installation instructions</li> </ul>	CD644-67914
Intermediate transfer belt kit <ul style="list-style-type: none"> <li>• Intermediate transfer belt</li> <li>• Secondary transfer roller assembly</li> <li>• Installation instructions</li> </ul>	CD644-67908
Toner collection unit (TCU) kit <ul style="list-style-type: none"> <li>• Toner collection unit</li> <li>• Installation instructions</li> </ul>	CC468-67910
500-sheet feeder kit (Tray 3) <ul style="list-style-type: none"> <li>• 500-sheet paper and HMT assembly</li> </ul>	CF084-67901
LJ printer cabinet kit <ul style="list-style-type: none"> <li>• LJ printer cabinet</li> </ul>	CD644-67917
Spring separation pad kit <ul style="list-style-type: none"> <li>• Spring separation pad</li> <li>• Installation instructions</li> </ul>	5851-4879

# Whole unit replacement (WUR)

**Table 2-2 LaserJet Pro 500 Color MFP M570dn (WUR)**

<b>LaserJet Pro 500 Color MFP M570dn</b>	
M570dn 220V EMEA	CZ271-69001
M570dn 110V NAR/TW	CZ271-69002
M570dn 220V CL/AR/LAR	CZ271-69004
M570dn 110V BR	CZ271-67062

**Table 2-3 LaserJet Pro 500 Color MFP M570dw (WUR)**

<b>LaserJet Pro 500 Color MFP M570dw</b>	
M570dw 220V EMEA	CZ272-69001
M570dw 110V NAR/TW (TW only)	CZ272-69002
M570dw 220V AP/LAR (AP only)	CZ272-69003
M570dw 220V CN/MY	CZ272-67061

# Service parts

The following service parts are not shown in the exploded view diagrams sections.

**Table 2-4 Service parts**

<b>Item</b>	<b>Part number</b>
Control panel	CZ271-60101
Control panel left mount	CZ271-40003
Control panel right mount	CZ271-40004
Control panel right rear	CZ271-40005
Control panel gear mount	CZ271-40015
Gear, control panel	CZ271-40006
Screw, friction gear mount	CZ271-20003
Washer, friction gear mount	CZ271-20004
Spring, friction gear mount	CZ271-20002
ICB Cable Guide	CZ271-40016
Cable, 24V	CZ271-50003
Cable, FAX	CF144-60126
Cable, FMTR power input	CZ271-50004
Cable, USB thumbdrive	CZ271-50005
Cable, VIF FFC A	CZ271-50007
Cable, VIF FFC B	CZ271-50008
Cable, wireless	CZ271-50006
USB mount plate	CZ271-01002
FAX PCA (AA; CF206A)	CF206-60001
FAX PCA (Euro; CF207A)	CF207-60001
FAX PCA (Brz; CF208A)	CF208-60001
Formatter	CZ272-60001
Wireless PCA	1150-7951
USB PCA	CF368A
Inter connect board (ICB)	CZ272-60002
Scanner/ADF assembly	CZ271-60017
Auto document feeder assembly	CZ271-60016
Scanner assembly	CZ271-60015
Scan bezel assembly	CZ271-60014



**Table 2-4 Service parts (continued)**


<b>Item</b>	<b>Part number</b>
ADF glass (with white background) assembly	CF286-60120
Scan base	CZ271-60013
Scanner chassis assembly	CF286-60112

## Related documentation and software

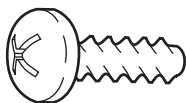
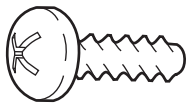
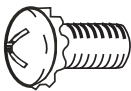

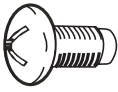
**Table 2-5 Related documentation and software**



Item	Description	Part number
<i>HP LaserJet Pro 500 color MFP M570 Printer User Guide</i>	Product user guide	CZ271-90908
<i>HP LaserJet Pro 500 color MFP M570 Printer Service Repair Manual</i>	English service repair manual	CZ271-91020
<i>HP LaserJet Pro 500 color MFP M570 Printer Service Troubleshooting Manual</i>	English service troubleshooting manual	CZ271-91021

## Fasteners used in this product

 **NOTE:** The screw illustrations in the following table are for reference only. Screws might vary in size and appearance from those shown in this table.

**Table 2-6 Common fasteners**

Example	Description	Size	Part Number
	Screw, tapping, truss head	M4X10	XB4-7401-005CN
	Screw, tapping, pan head	M4X10	XB4-7401-007CN
	Screw, D	M3X8	XA9-1671-000CN
	Screw, D	M3X8	XA9-1834-000CN
	Screw (formatter assembly)	M3X0.5	0515-4679

6 mm   8 mm   10 mm   M 3   M 4  
   

# How to use the parts lists and diagrams


---


 **TIP:** Some assemblies that are unique to the LaserJet Pro 500 Color MFP M570dn or the LaserJet Pro 500 Color MFP M570dw are not shown in the following exploded view sections. To find part numbers for these assemblies, see [Service parts on page 200](#).

---

The figures in this chapter show the major subassemblies in the product and their component parts. A parts list table follows each exploded view assembly diagram. Each table lists the item number, the associated part number, and the description of each part. If a part is not listed in the table, then it is not a field replacement unit (FRU).

---

 **CAUTION:** Be sure to order the correct part. When looking for part numbers for electrical components, pay careful attention to the voltage that is listed in the description column. Doing so will ensure that the part number selected is for the correct all-in-one model.

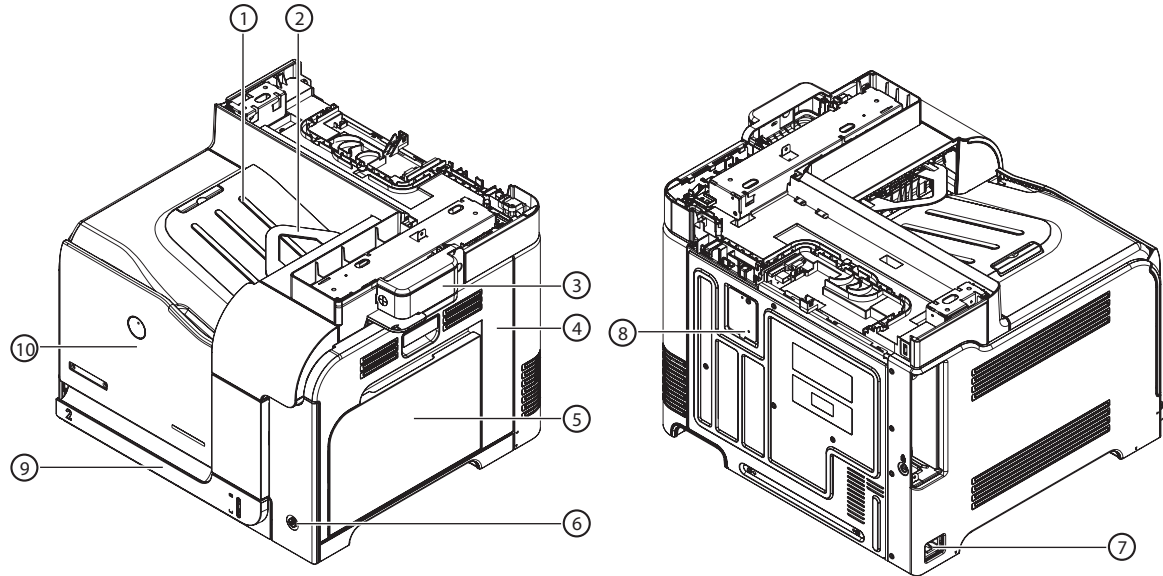
 **NOTE:** In this manual, the abbreviation “PCA” stands for “printed circuit-board assembly.” Components described as a PCA might consist of a single circuit board or a circuit board plus other parts, such as cables and sensors.

---

# Assembly locations

## Base product (no optional trays or accessories)

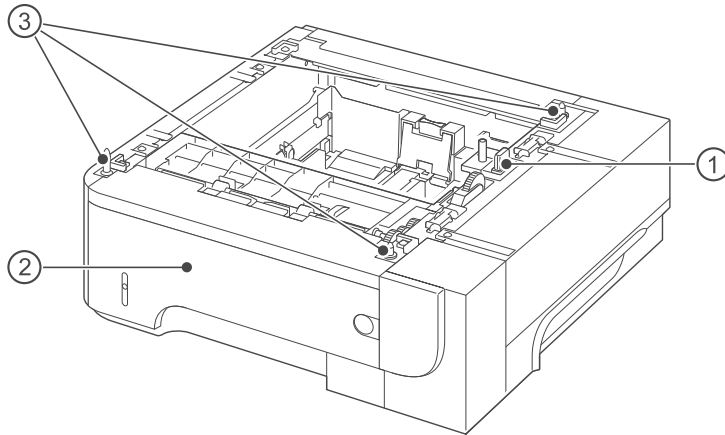
Figure 2-1 Base product (no optional trays or accessories)



Item	Description	Item	Description
1	Face-down output bin	6	Power receptacle
2	Reverse tray	7	Test print switch
3	Right door	8	Tray 2
4	Tray 1	9	Front door
5	Power switch		

## Base product (optional trays or accessories)

**Figure 2-2** Base product (optional trays or accessories)

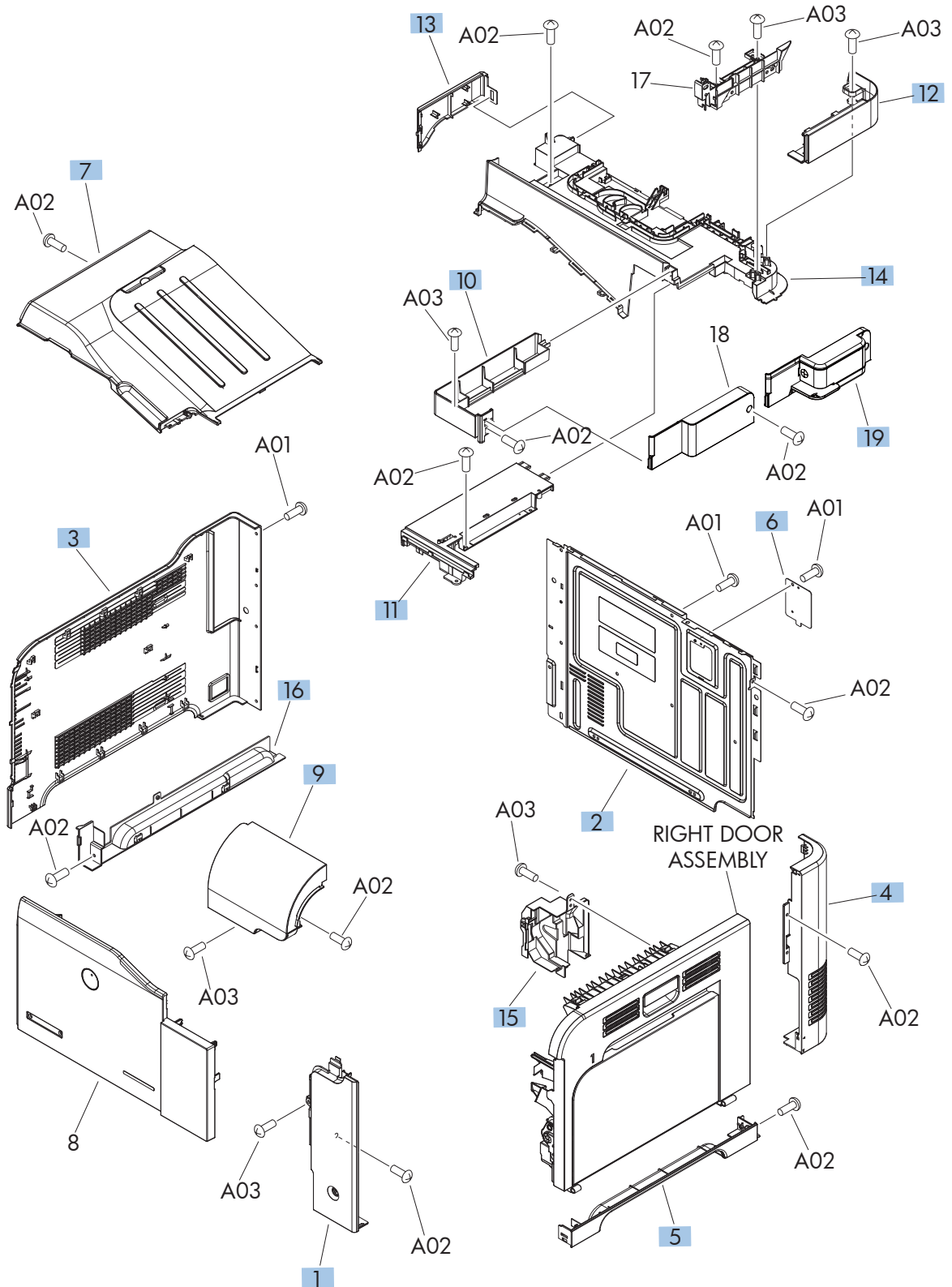


**Table 2-7** Optional 500-sheet input tray

Item	Description
1	Connector
2	Tray 3
3	Positioning pins

# Covers

Figure 2-3 External covers, panels, and doors

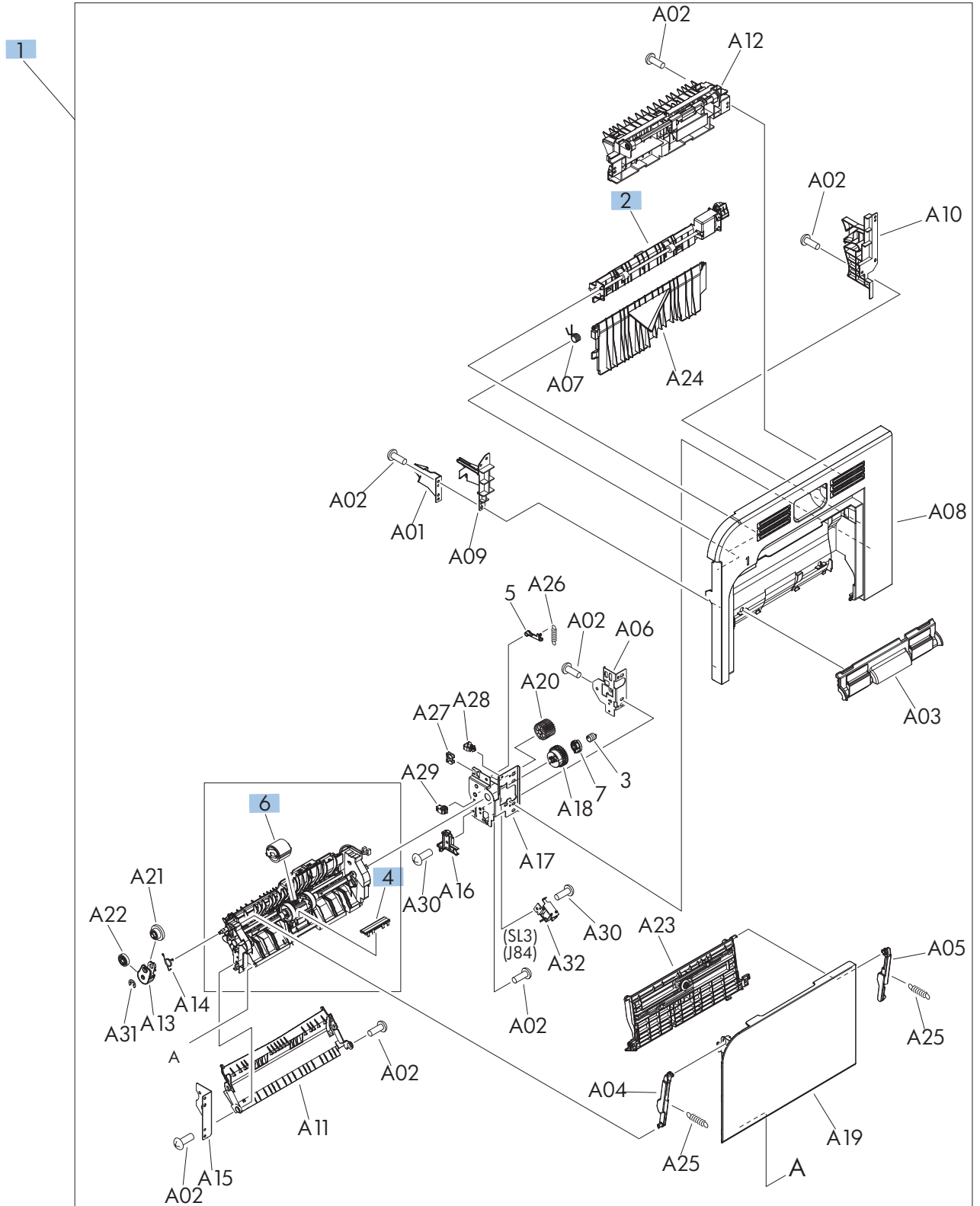


**Table 2-8 External covers, panels, and doors**

<b>Ref</b>	<b>Description</b>	<b>Part number</b>	<b>Qty</b>
1	Cover, right front	RC2-5056-000CN	1
2	Cover, rear	RC2-5048-000CN	1
3	Cover, left	RC2-5052-000CN	1
4	Cover, rear right	RC2-5057-000CN	1
5	Cover, right lower	RC2-5059-000CN	1
6	Plate, blanking	RC2-5938-000CN	1
7	Tray, paper delivery	RL1-1941-030CN	1
9	Control panel cover assembly	RM1-9198-000CN	1
10	Cover, right	RC3-2095-000CN	1
11	Cover, upper right	RC3-2093-000CN	1
12	Cover, right rear	RC3-2096-000CN	1
13	Cover, left rear	RC3-2094-000CN	1
14	Cover, upper rear	RC3-2092-000CN	1
15	Cover, right door gear rear	RC2-4924-000CN	1
16	Cover, left lower	RC2-5069-000CN	1

# Right-door assembly

Figure 2-4 Right-door assembly





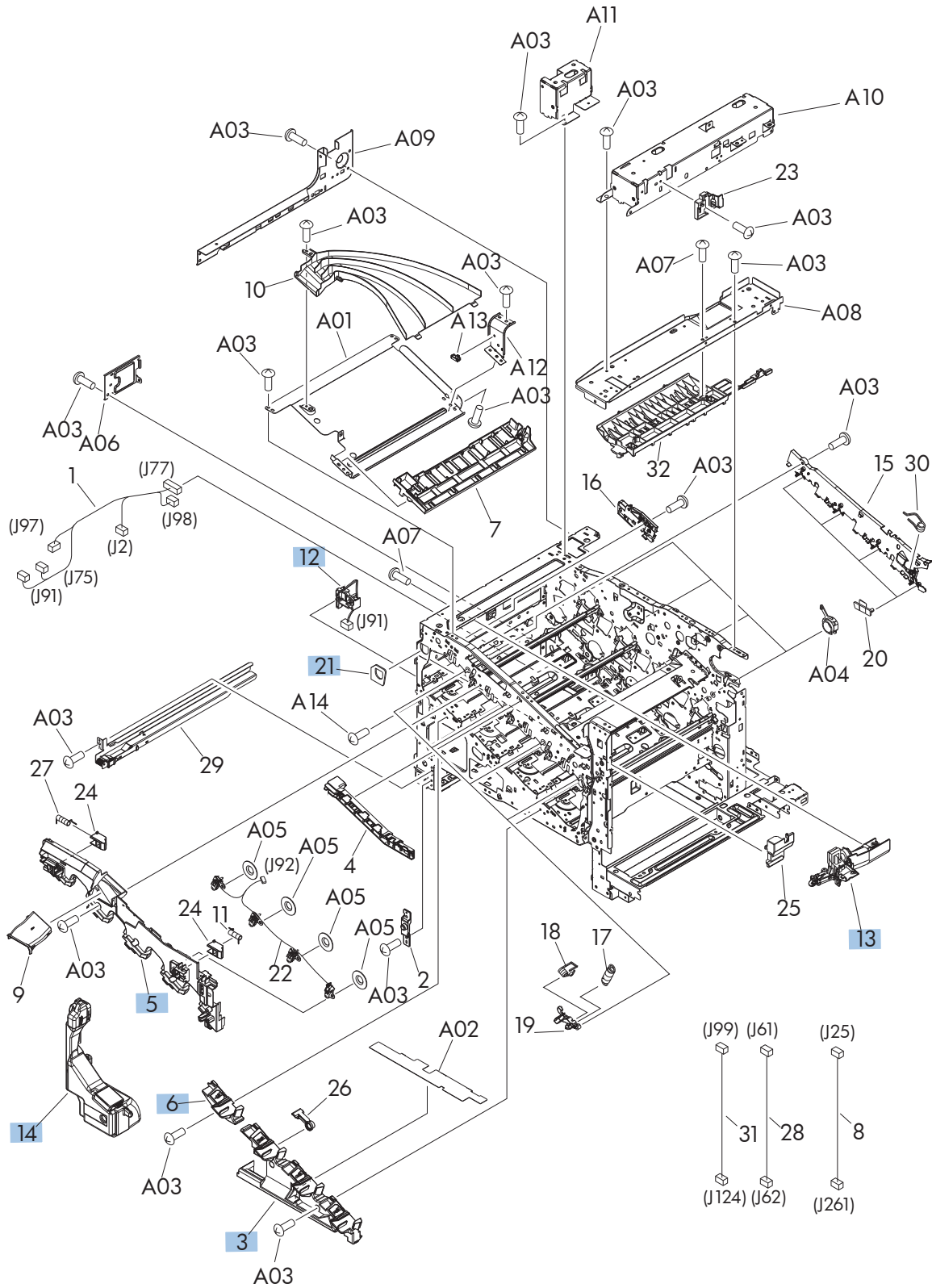
**Table 2-9 Right-door assembly**

<b>Ref</b>	<b>Description</b>	<b>Part number</b>	<b>Qty</b>
1	Right door assembly	RM1-8123-000CN	1
2	Duplex paper feed assembly	RM1-4959-000CN	1

# Internal assemblies

## Internal assemblies (1 of 6)

Figure 2-5 Internal assemblies (1 of 6)

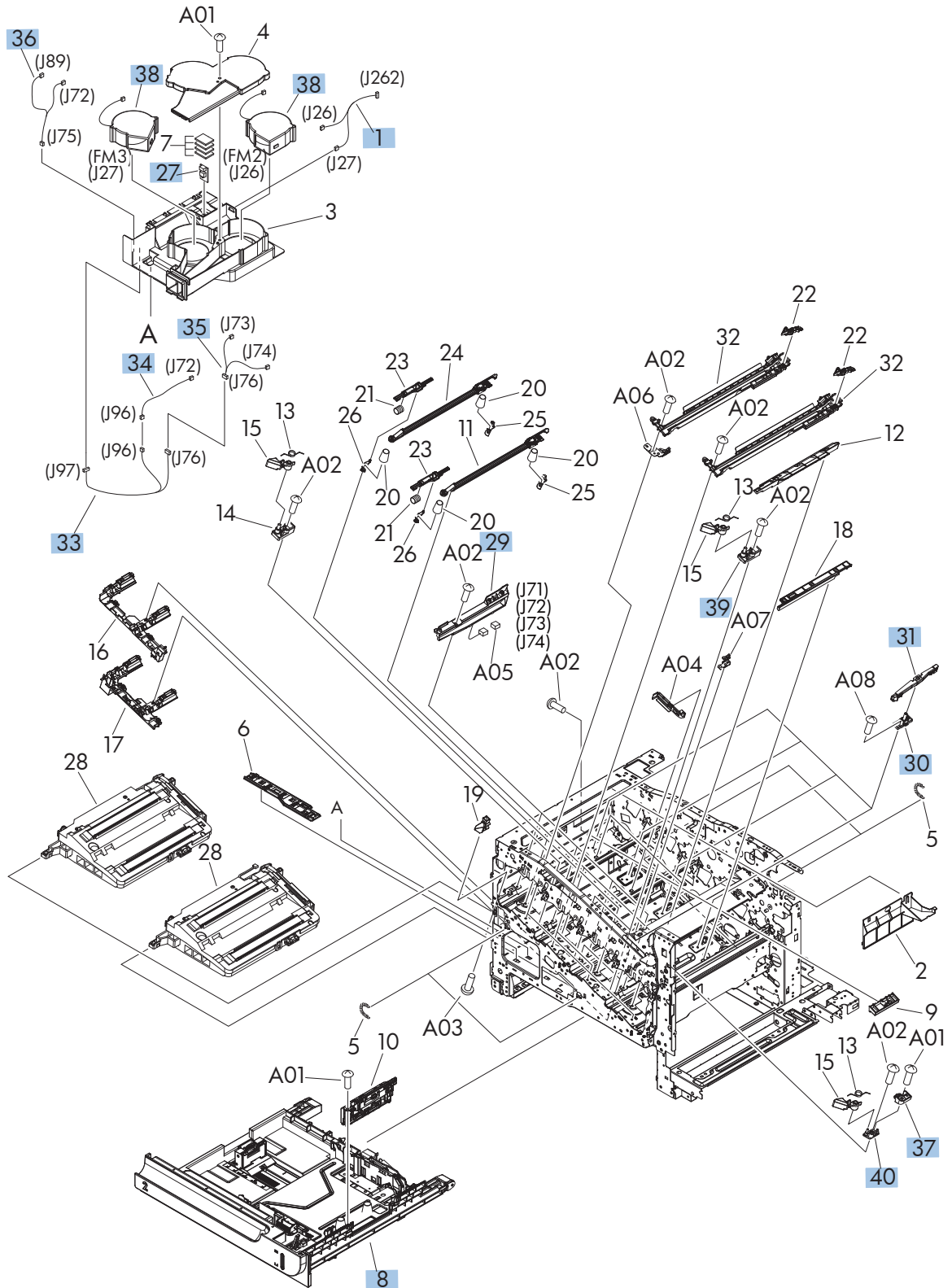


**Table 2-10 Internal assemblies (1 of 6)**

<b>Ref</b>	<b>Description</b>	<b>Part number</b>	<b>Qty</b>
3	Cover, front inner lower unit	RL1-1914-020CN	1
5	Cover, front inner upper	RC3-1070-000CN	1
6	Cover, front inner lower	RL1-1915-000CN	1
12	Waste toner detect assembly	RM1-5696-000CN	1
13	Waste toner duct assembly	RM1-8138-000CN	1
14	Toner collection unit (TCU)	RM1-4989-000CN	1
21	Waste toner box seal	RC2-4780-000CN	4

## Internal assemblies (2 of 6)

Figure 2-6 Internal assemblies (2 of 6)

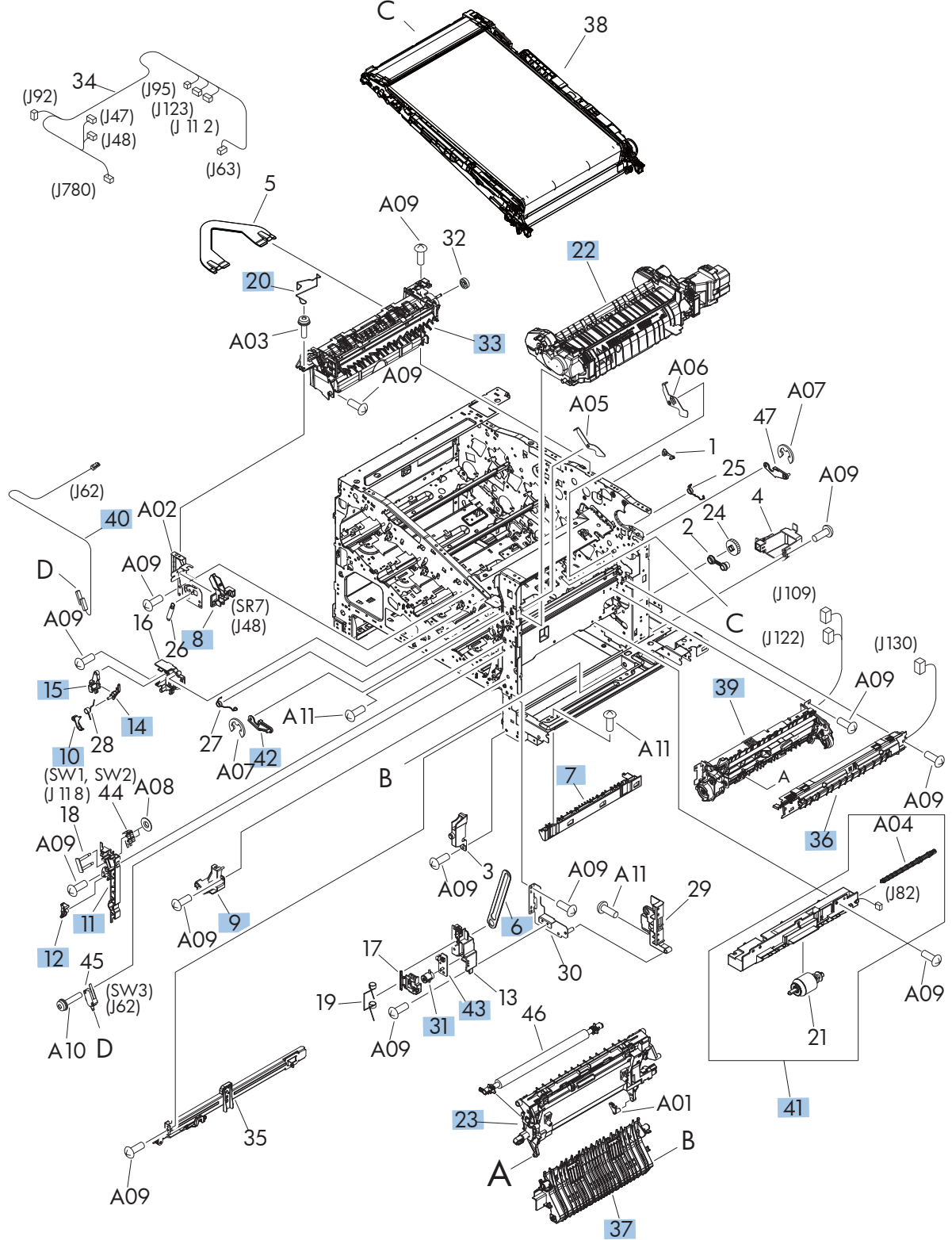


**Table 2-11 Internal assemblies (2 of 6)**

<b>Ref</b>	<b>Description</b>	<b>Part number</b>	<b>Qty</b>
1	Fan cable assembly	RM1-5746-000CN	1
8	Tray 2	RM1-4962-060CN	1
27	Temperature sensor unit	RK2-3267-000CN	1
29	Toner sensor holder assembly	RM1-5700-000CN	4
30	Stand assembly	RM1-5588-000CN	4
31	Base assembly	RM1-8149-000CN	4
33	Connecting cable assembly	RM1-5749-000CN	1
34	Sensor cable assembly	RM1-5740-000CN	1
35	Sensor cable assembly	RM1-5741-000CN	1
36	Motor/sensor cable assembly	RM1-5752-000CN	1
37	Cartridge lock lever holder	RC2-5957-000CN	1
38	Fan (FM2, FM3)	RK2-2418-000CN	2
39	Cartridge lock lever holder	RC3-1075-000CN	2
40	Cartridge lock lever holder	RC2-5956-000CN	2

## Internal assemblies (3 of 6)

Figure 2-7 Internal assemblies (3 of 6)

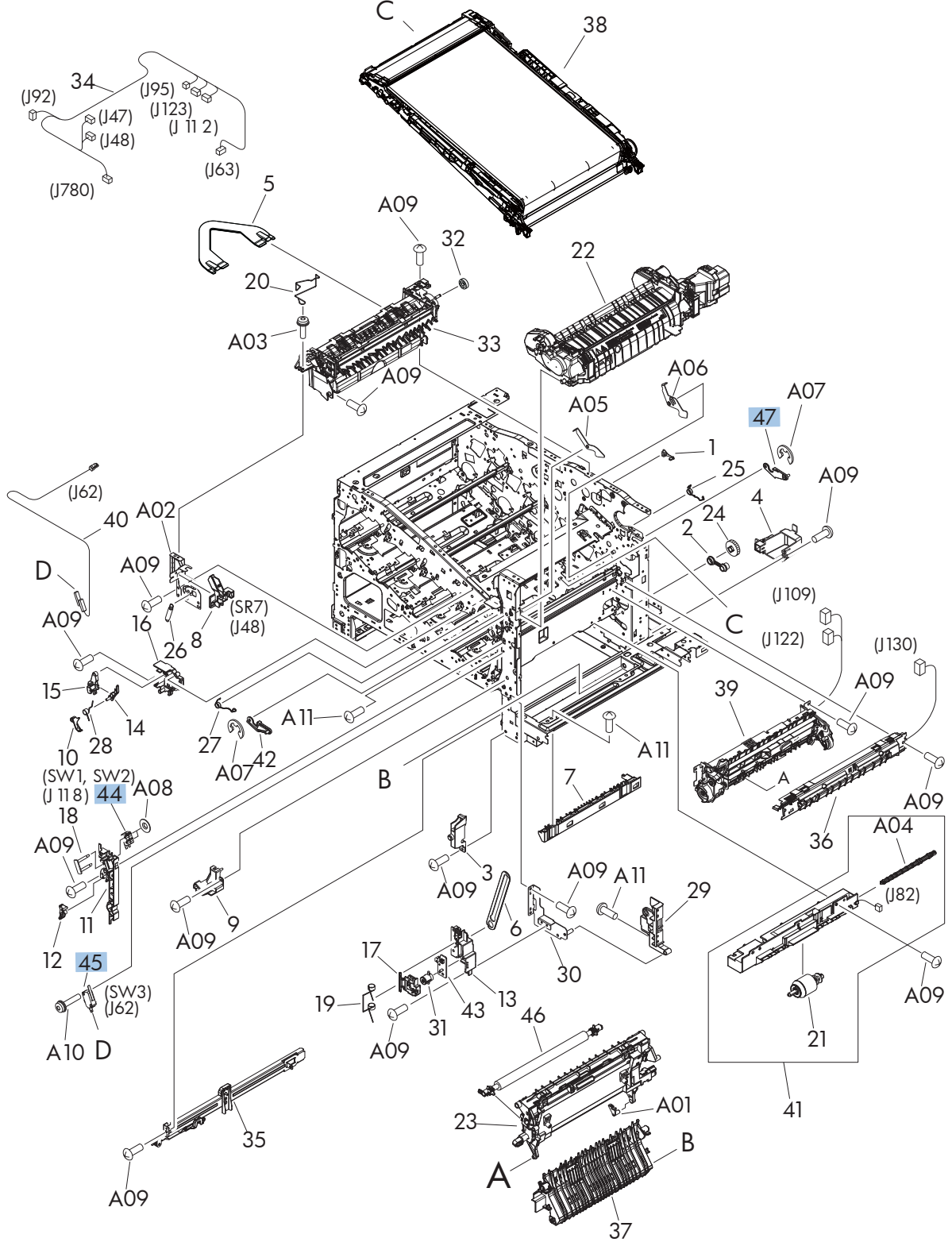


**Table 2-12 Internal assemblies (3 of 6)**

<b>Ref</b>	<b>Description</b>	<b>Part number</b>	<b>Qty</b>
6	Link, door stopper	RC2-4916-000CN	1
7	Guide, option entrance	RC2-4915-000CN	1
8	Sensor cable guide assembly (SR7)	RM1-8178-000CN	1
9	Cover, inner right lower	RC2-5019-000CN	1
10	Link, interlock (SW1)	RC2-5120-000CN	1
11	Mount, interlock switch	RC2-5123-000CN	1
12	Arm, interlock link switch	RC2-5121-000CN	1
14	Link, interlock	RC2-5119-000CN	1
15	Link, interlock	RC2-5118-000CN	1
20	Wire (mech) sensor project	RC2-4828-000CN	1
22	Fuser (110V)	RM1-8154-000CN	1
22	Fuser (220V)	RM1-8156-000CN	1
23	Secondary transfer assembly	RM1-4952-030CN	1
31	Button, power supply	RL1-1947-000CN	1
33	Paper delivery assembly	RM1-4970-060CN	1
36	Density detect assembly	RM1-8163-000CN	1
37	Pick up lower guide assembly	RM1-9192-000CN	1
39	Registration assembly	RM1-4969-000CN	1
40	Switch cable assembly	RM1-8065-000CN	1
41	Paper pick up assembly	RM1-4967-000CN	1
42	Front lock arm assembly	RM1-5532-000CN	1
43	Switch PCA assembly	RM1-8097-000CN	1

## Internal assemblies (4 of 6)

Figure 2-8 Internal assemblies (4 of 6)



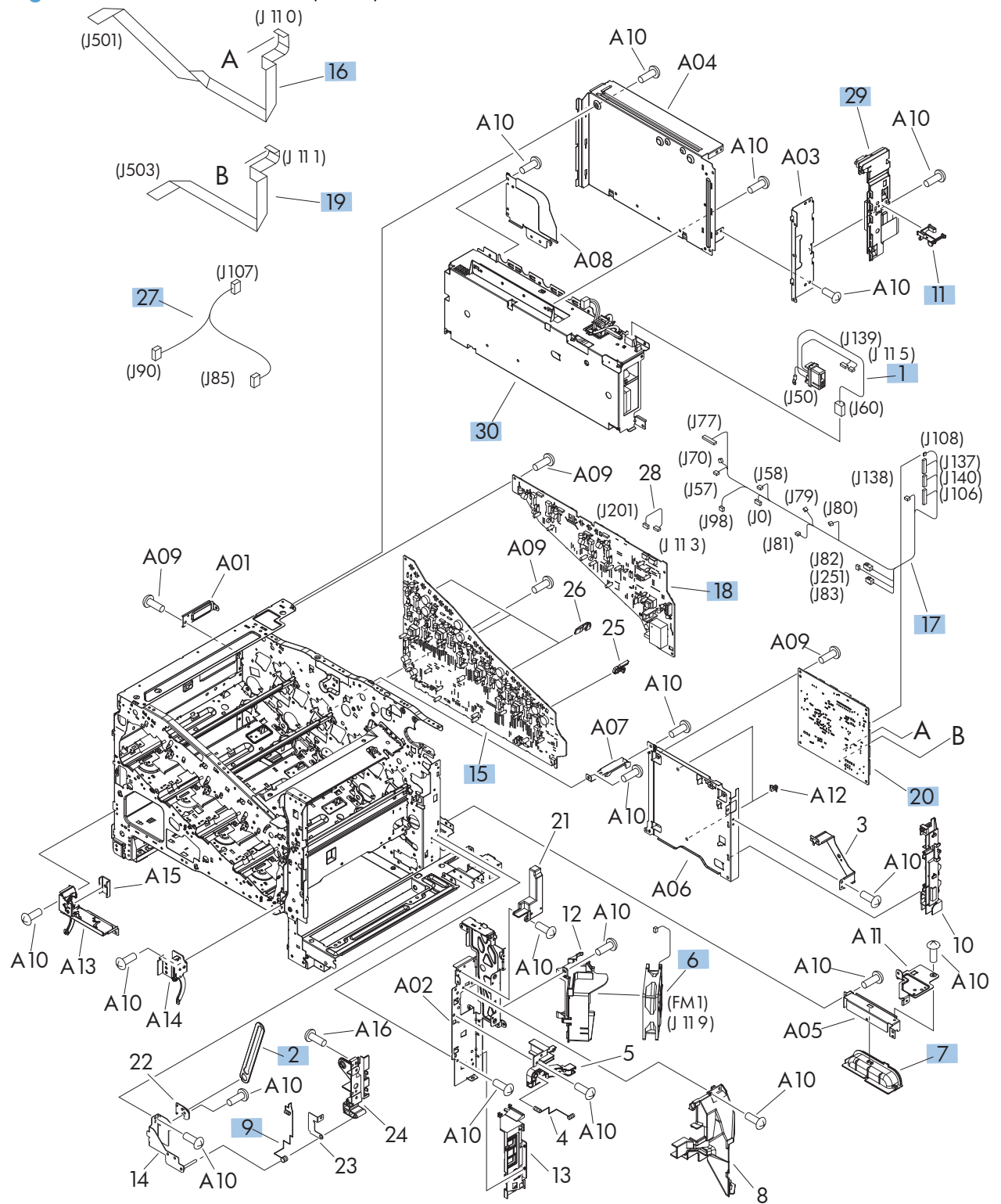


**Table 2-13 Internal assemblies (4 of 6)**

<b>Ref</b>	<b>Description</b>	<b>Part number</b>	<b>Qty</b>
44	Door switch assembly (SW2)	RM1-5732-000CN	1
45	Microswitch (SW3)	WC4-5171-000CN	1
47	Rear lock arm assembly	RM1-5533-000CN	1

## Internal assemblies (5 of 6)

Figure 2-9 Internal assemblies (5 of 6)

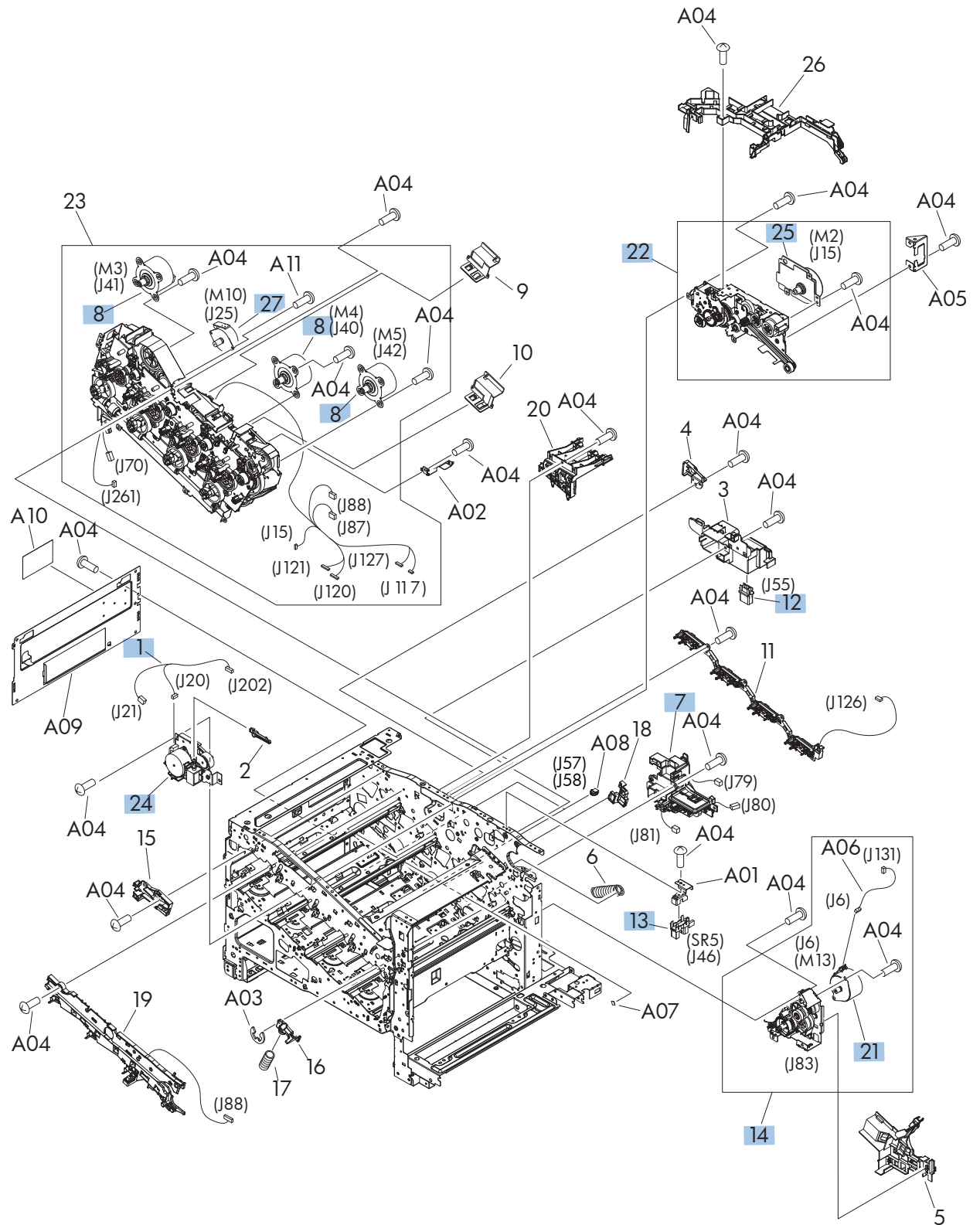


**Table 2-14 Internal assemblies (5 of 6)**

<b>Ref</b>	<b>Description</b>	<b>Part number</b>	<b>Qty</b>
1	Fusing connecting cable assembly	RM1-5714-000CN	1
2	Link, door stopper	RC2-4916-000CN	1
6	Fan (FM1)	RK2-2416-000CN	1
7	Rear handle	RC2-5042-000CN	1
9	Spring, grounding	RC2-5148-000CN	1
11	Switch arm	RC2-5943-000CN	1
15	Lower HVPS (D)	RM1-8087-000CN	1
16	Cable, laser FCC 1	RK2-3941-000CN	1
17	Cable, rear assembly	RM1-8084-000CN	1
18	Upper HVPS (T)	RM1-8088-000CN	1
19	Cable, laser FCC 2	RK2-3943-000CN	1
20	DC Controller	RM1-8119-000CN	1
27	Cable, MP sensor assembly	RM1-5737-000CN	1
29	Interconnect PCA (ICB)	RM1-8086-000CN	1
30	LVPS (110V)	RM1-8102-000CN	1
30	LVPS (220V)	RM1-8103-000CN	1

# Internal assemblies (6 of 6)

Figure 2-10 Internal assemblies (6 of 6)



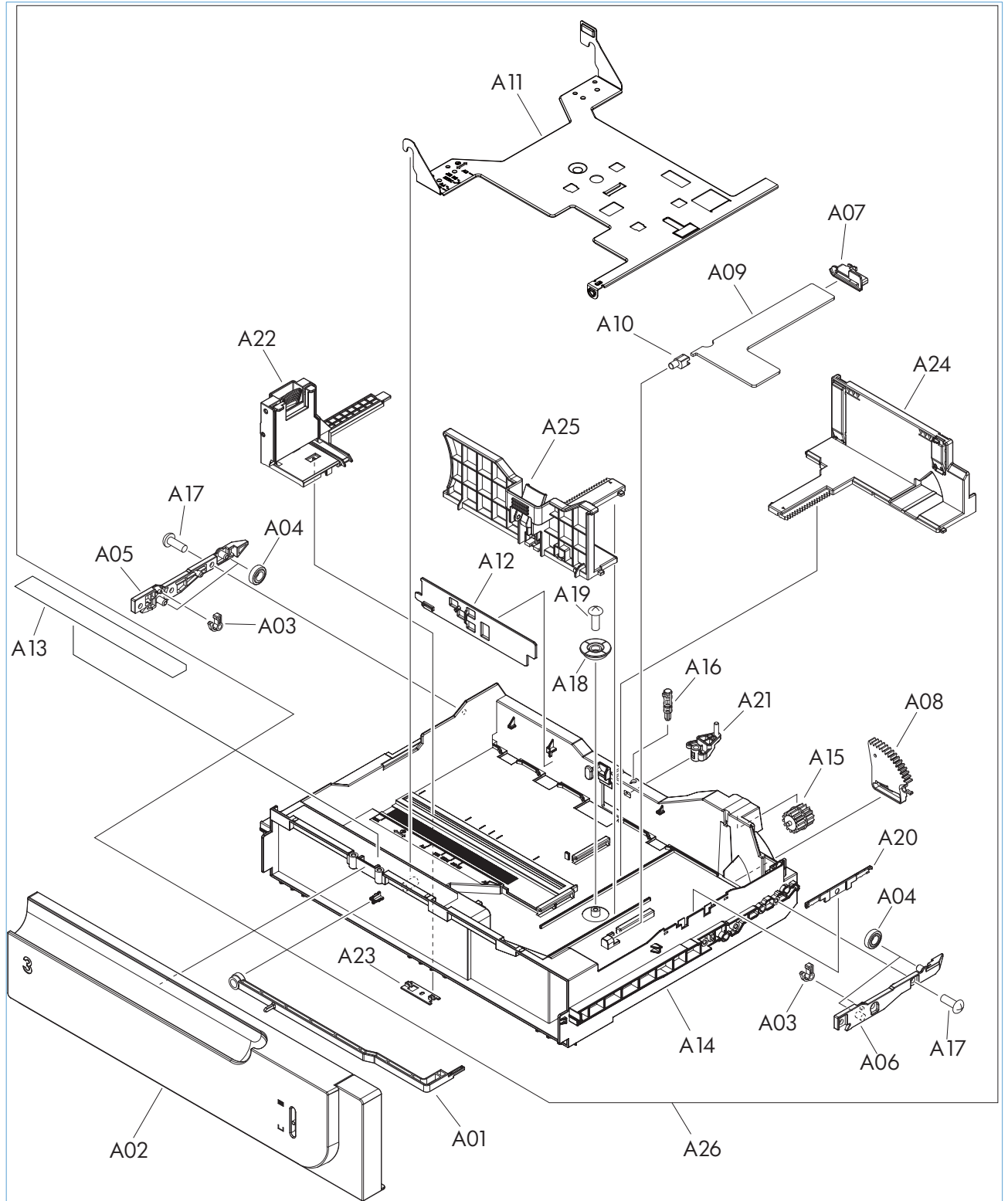
**Table 2-15 Internal assemblies (6 of 6)**

<b>Ref</b>	<b>Description</b>	<b>Part number</b>	<b>Qty</b>
1	Duplexing unit cable assembly	RM1-5730-000CN	1
7	Lifter drive assembly	RM1-4976-000CN	1
8	Main motor unit (M3, M4, M5)	RM1-8105-000CN	3
12	Connector, drawer	VS1-7258-007CN	1
13	Photo interrupter (SR5)	WG8-5935-000CN	1
14	Paper pick up drive assembly	RM1-8135-000CN	1
21	Pickup motor assembly (M13)	RM1-5773-000CN	1
22	Fusing drive assembly	RM1-8134-000CN	1
24	Duplex drive assembly	RM1-4973-000CN	1
25	Fusing motor assembly (M2)	RM1-4983-000CN	1
27	Stepping motor, DC (M10)	RK2-2415-000CN	1

# Assessories

## 1 x 500-sheet paper feeder

Figure 2-11 1 x 500-sheet paper feeder

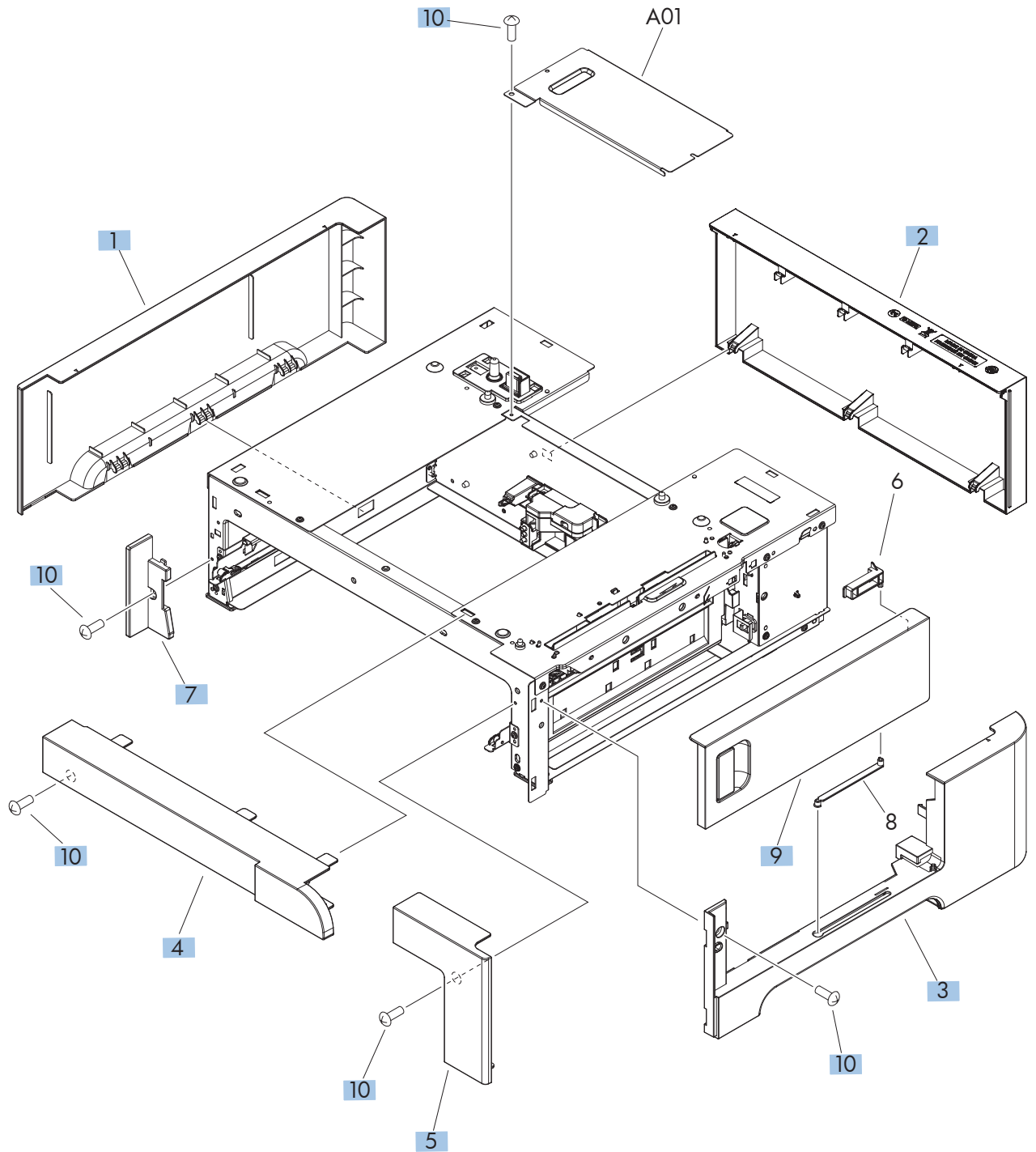


**Table 2-16 1 x 500-sheet paper feeder**

<b>Ref</b>	<b>Description</b>	<b>Part number</b>	<b>Qty</b>
1	1 x 500-sheet feeder replacement kit	CF084-67901	1

## Paper feeder covers

Figure 2-12 Paper feeder covers



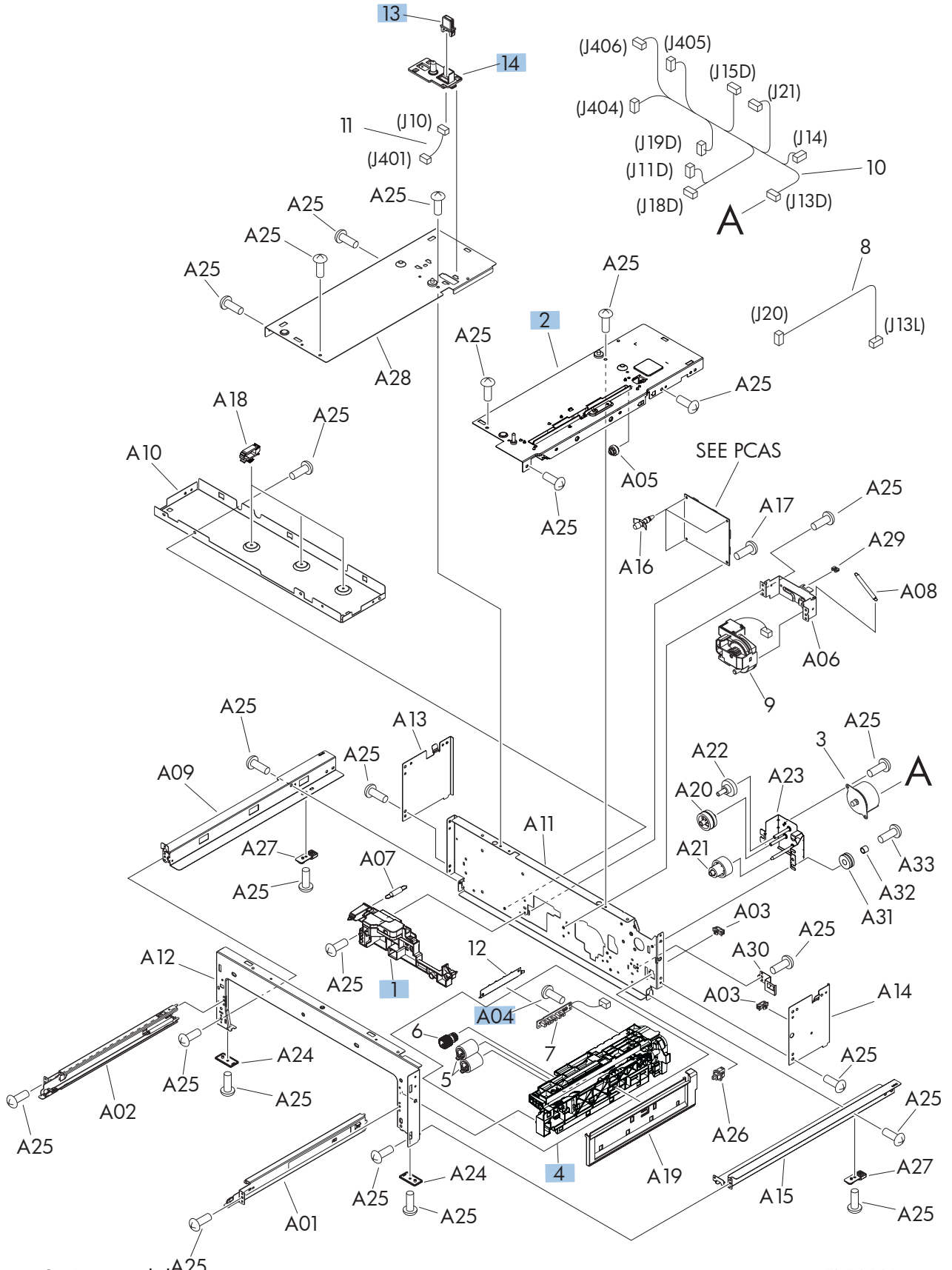


**Table 2-17 Paper feeder covers**

<b>Ref</b>	<b>Description</b>	<b>Part number</b>	<b>Qty</b>
1	Cover, left	RC2-5428-000CN	1
2	Cover, rear	RC2-5429-000CN	1
3	Cover, right	RC2-5427-000CN	1
4	Cover, front upper	RC2-5425-000CN	1
5	Cover, front right	RC2-5426-000CN	1
7	Cover, left front	RC2-5430-000CN	1

# Paper feeder main body

Figure 2-13 Paper feeder main body

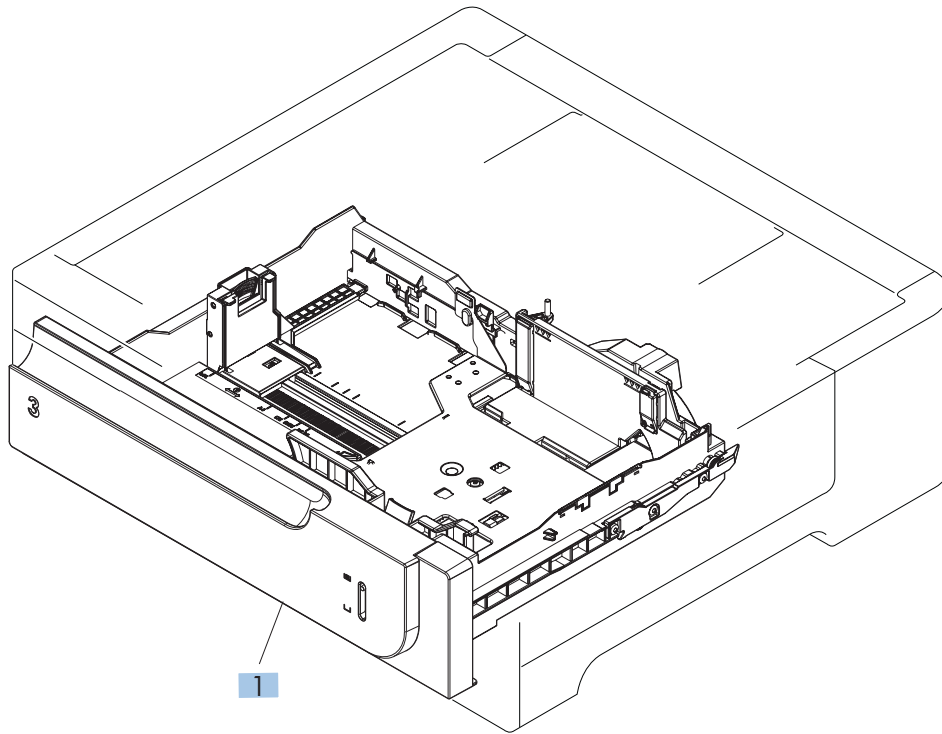


**Table 2-18 Paper feeder main body**

<b>Ref</b>	<b>Description</b>	<b>Part number</b>	<b>Qty</b>
1	Lifter base assembly	RM1-5913-000CN	1
2	Paper feed assembly	RM1-6194-030CN	1
4	Paper pickup assembly	RM1-5919-000CN	1
13	Drawer connector	VS1-7257-007CN	1
14	Holder, drawer connector	RC2-5416-000CN	1

## Paper feeder tray

Figure 2-14 Tray

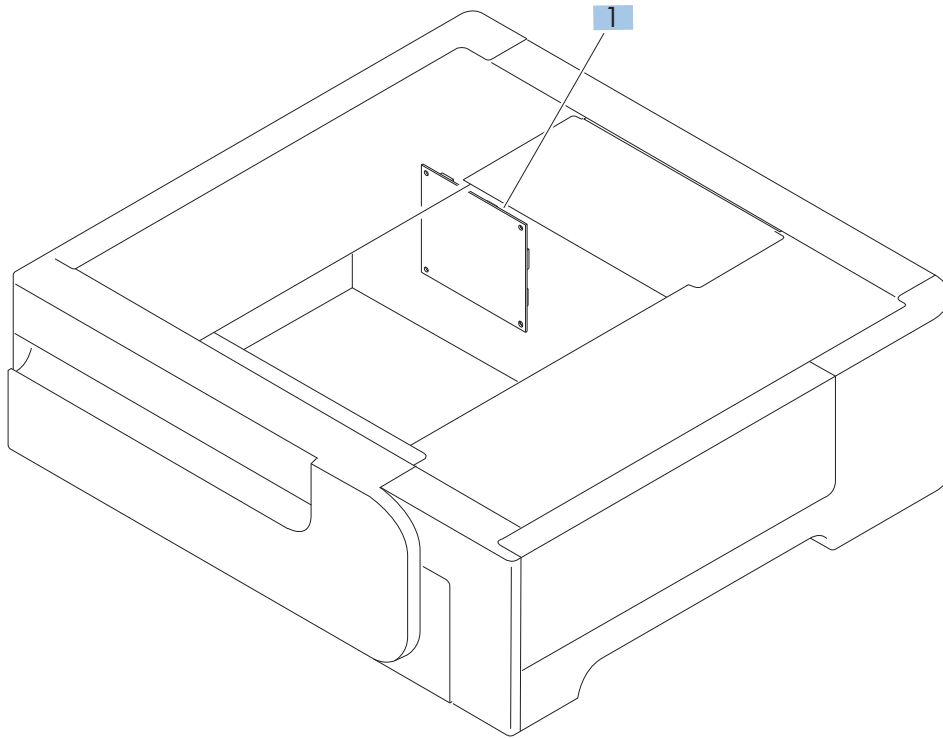


**Table 2-19 Tray**

<b>Ref</b>	<b>Description</b>	<b>Part number</b>	<b>Qty</b>
1	Tray 3	RM1-6198-000CN	1

## Paper feeder PCA

Figure 2-15 Paper feeder PCA



**Table 2-20 Paper feeder PCA**

<b>Ref</b>	<b>Description</b>	<b>Part number</b>	<b>Qty</b>
1	PCA, paper feeder driver (1 x 500)	RM1-5839-000CN	1