
2 Parts and diagrams

- [For additional service and support](#)
- [Assembly locations](#)
- [Order parts, accessories, and supplies](#)
- [How to use the parts lists and diagrams](#)
- [Covers](#)
- [Internal components](#)
- [Power supply assembly](#)
- [Multi-purpose \(Tray 1\) pickup assembly](#)
- [Duplexer](#)
- [Envelope feeder](#)
- [500-sheet feeder](#)
- [1,500-sheet feeder](#)
- [5-bin mailbox](#)
- [Stacker and stapler/stacker](#)
- [Alphabetical parts list](#)
- [Numerical parts list](#)

For additional service and support

HP service personnel, go to the Service Access Work Bench (SAW) at <http://h41302.www4.hp.com/km/saw/home.do>.

Channel partners, go to HP Channel Services Network (CSN) at <https://h30125.www3.hp.com/hpcsn>.

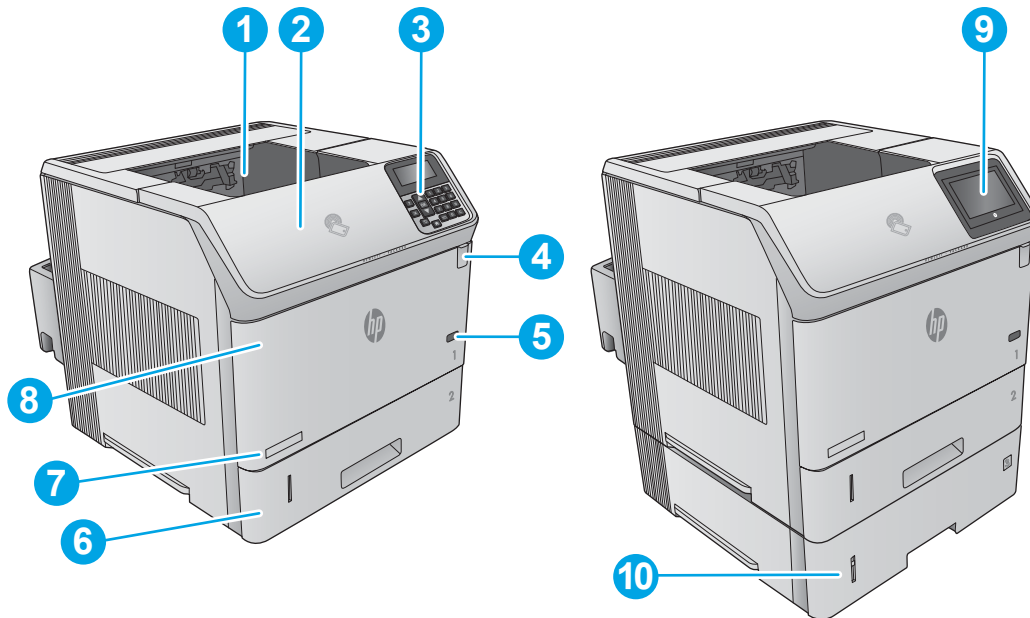
- To access HP PartSurfer information from any mobile device, go to <http://partsurfermobile.hp.com/> or scan the Quick Response (QR) code below.



- Install and configure
- Printer specifications
- Up to date control-panel message (CPMD) troubleshooting
- Solutions for printer issues and emerging issues
- Remove and replace part instructions and videos
- Service advisories
- Warranty & regulatory information

Assembly locations

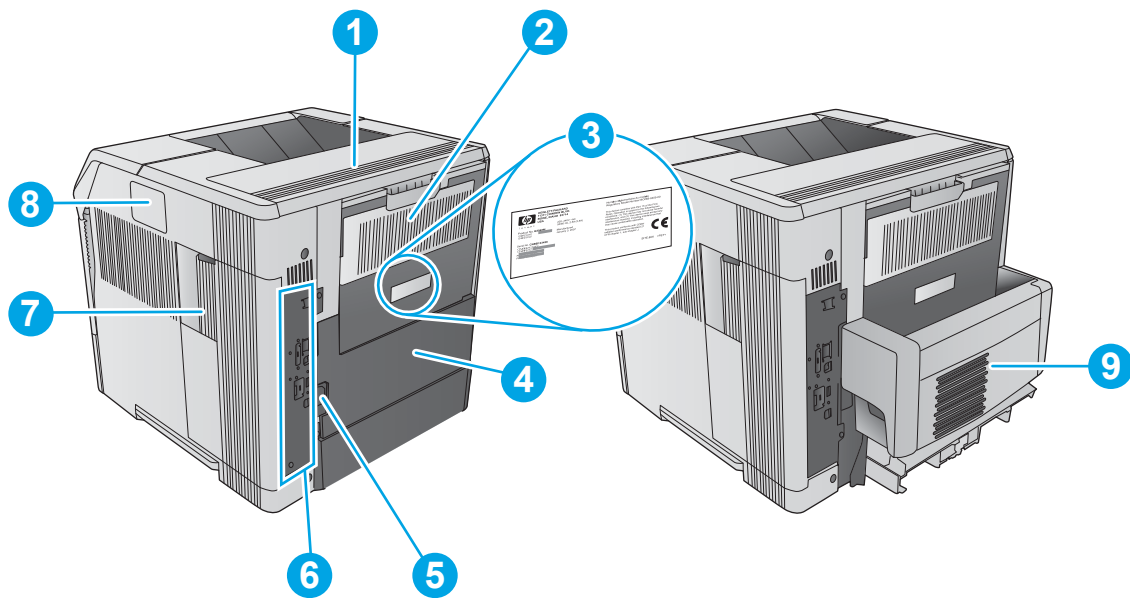
Product front view



1	Standard output bin
2	Top cover (access to the toner cartridge)
3	4-line LCD control panel with keypad (n and dn models only)
4	Easy-access USB port
5	On/off button
6	Tray 2
7	Model name
8	Tray 1
9	Control panel with color touchscreen display (x models only)
10	1 x 500-sheet feeder (included with the x model, optional for the other models)

NOTE: The product accepts up to four 1 x 500-sheet feeders, or three 1 x 500-sheet feeders and one 1,500-sheet high-capacity input tray.

Product back view



1	Output-accessory cover
2	Rear output bin
3	Serial number and product number label
4	Duplex accessory cover (n model only)
5	Power connection
6	Formatter (contains the interface ports)
7	Formatter cover
8	Hardware integration pocket (for connecting accessory and third-party devices)
9	Automatic duplex printing accessory (included with the dn and x models, optional for the n model)

Order parts, accessories, and supplies

Ordering

Order supplies and paper	www.hp.com/go/suresupply
Order genuine HP parts or accessories	www.hp.com/buy/parts or partsurfer.hp.com
Order through service or support providers	Contact an HP-authorized service or support provider.
Order using the HP Embedded Web Server (EWS)	To access, in a supported Web browser on your computer, enter the product IP address or host name in the address/URL field. The EWS contains a link to the HP SureSupply Web site, which provides options for purchasing Original HP supplies.

Orderable parts

Not all of the parts shown in the diagrams in this chapter can be ordered. Refer to the table following the diagram or the parts lists at the end of this chapter to determine if a part is orderable.

Supplies

Following are the part numbers for the supplies available for the product.

Table 2-1 Supplies

Item	Description	Part number
HP 81A Black Original LaserJet Toner Cartridge	Standard-capacity replacement toner cartridge	CF281A (new)
		CF281-67901 (service)
HP 81X High Yield Black Original LaserJet Toner Cartridge	High-capacity replacement toner cartridge	CF281X (new)
		NOTE: M605 and M606 models only CF281-67902 (service)
HP Staple Cartridge Refill	Three 1,000-staple cartridges	Q3216A (new)
		Q3216-67901 (service)

Accessories

Following are the part numbers for the accessories available for the product.

Table 2-2 Accessories

Item	Description	Part number
Automatic duplex assembly	Duplexer	F2G69A (new)
		F2G69-67901 (service)
Envelope feeder	Optional envelope feeder that holds up to 75 envelopes	F2G74A (new)
		F2G74-67901 (service)

Table 2-2 Accessories (continued)

Item	Description	Part number
Custom media tray	Optional tray that holds small-size paper. Replaces the standard tray in the Tray 2 position.	F2G75A (new) F2G75-60101 (service)
500-sheet paper feeder	Optional 500-sheet paper feeder (included with the x models)	F2G68A (new) F2G68-67901 (service)
1,500-sheet high-capacity paper feeder	Optional 1,500-sheet paper feeder	F2G73A (new) F2G73-67901 (service)
Printer stand	Optional stand with casters to support the printer Recommended when using multiple optional paper feeders.	F2G70A (new) F2G70-67901 (service)
Stacker	Optional paper-stacker output accessory	F2G71A (new) F2G71-67901 (service)
Stapler/stacker	Optional stapler/stacker output accessory	F2G72A (new) F2G72-67901 (service)
5-bin mailbox	Optional 5-bin mailbox output accessory	F2G81A (new) F2G81-67901 (service)
1 GB memory DIMM	Optional memory DIMM to increase the product memory	G6W84A (new) 5851-6422 (service)
HP Secure High-Performance Hard Disk Drive	Optional hard disk drive	B5L29A (new) B5L29-67901 (service)
Two Internal USB ports	Two optional USB ports for connecting third-party devices	B5L28A (new) 5851-6424 (service)
HP Trusted Platform Module	Automatically encrypts all data that passes through the product	F5S62A (new) F5S62-67901 (service)
HP Jetdirect 2900nw Print Server	USB wireless print server accessory	J8031A (new) J8031-61001 (service)
HP Jetdirect 3000w NFC/Wireless Accessory	Wi-Fi direct accessory for “touch” printing from mobile devices NOTE: Supported for the n and dn models only. The functionality is already integrated in the x models.	J8030A (new) J8030-61001 (service)

Customer self-repair kits

Following are the customer-replaceable kits available for the product.

The customer self-repair (CSR) level indicates the expected difficulty the customer will experience when replacing this part:

- **A:** Easy
- **B:** Requires a tool

Item	Description	CSR level	Part number
Control panel (M605x and M606x) kit	<ul style="list-style-type: none">• Control panel• Screwdriver	A	E6B67-67914
Cassette	<ul style="list-style-type: none">• Tray 2	A	RM2-6296-000CN
Cassette (500-sheet feeder)	<ul style="list-style-type: none">• Tray, 500-sheet feeder	A	RM2-6275-000CN
Transfer roller	<ul style="list-style-type: none">• Transfer roller	A	E6B67-67904
Tray 1 roller kit	<ul style="list-style-type: none">• Rollers for Tray 1	B	E6B67-67906
Tray 2 through 6 roller kit	<ul style="list-style-type: none">• Rollers for Tray 2, the optional 500-sheet paper feeders, and the optional 1,500-sheet high-capacity paper feeder	A	E6B67-67905
Torque limiter kit	<ul style="list-style-type: none">• Torque limiter	A	E6B67-67926
Fuser kit (110V)	<ul style="list-style-type: none">• Fuser (110V)	A	E6B67-67901
Fuser kit (220V)	<ul style="list-style-type: none">• Fuser (220V)	A	E6B67-67902
Preventive maintenance kit (110V)	<ul style="list-style-type: none">• Fuser (110V)• Transfer roller• Tray 2 through 6 roller kit	A	F2G76-67901
Preventive maintenance kit (220V)	<ul style="list-style-type: none">• Fuser (220V)• Transfer roller• Tray 2 through 6 roller kit	A	F2G77-67901
embedded MultiMedia Card (eMMC) kit	<ul style="list-style-type: none">• eMMC module	A	B5L32-60101


Related documentation and software


HP service personnel, go to the Service Access Work Bench (SAW) at <http://h41302.www4.hp.com/km/saw/home.do>.

Channel partners, go to HP Channel Services Network (CSN) at <https://h30125.www3.hp.com/hpcsn>.

How to use the parts lists and diagrams

The figures in this chapter show the major subassemblies in the product and their component parts. A parts list table follows each exploded view assembly diagram. Each table lists the item number, the associated part number, and the description of each part. If a part is not listed in the table, then it is not a field replacement unit (FRU).

 **CAUTION:** Be sure to order the correct part. When looking for part numbers for electrical components, pay careful attention to the voltage that is listed in the description column. Doing so will ensure that the part number selected is for the correct model.

 **NOTE:** In this manual, the abbreviation “PCA” stands for “printed circuit-board assembly.” Components described as a PCA might consist of a single circuit board or a circuit board plus other parts, such as cables and sensors.

Covers

Figure 2-1 Covers

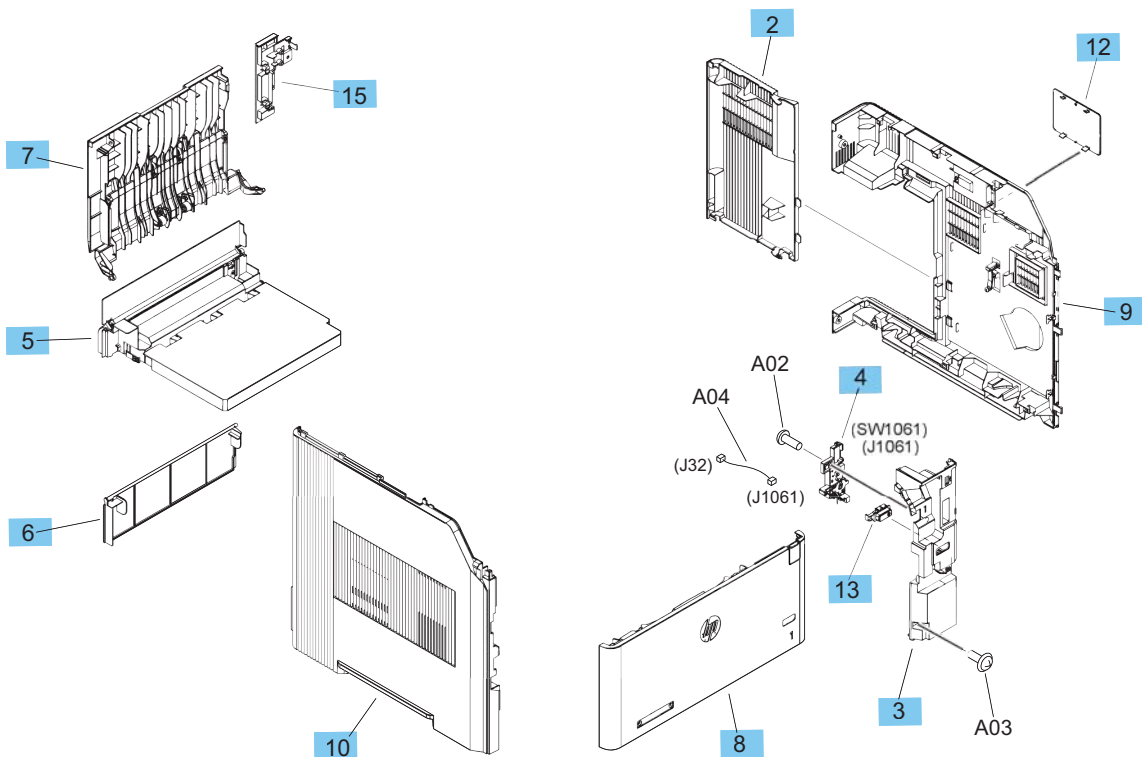
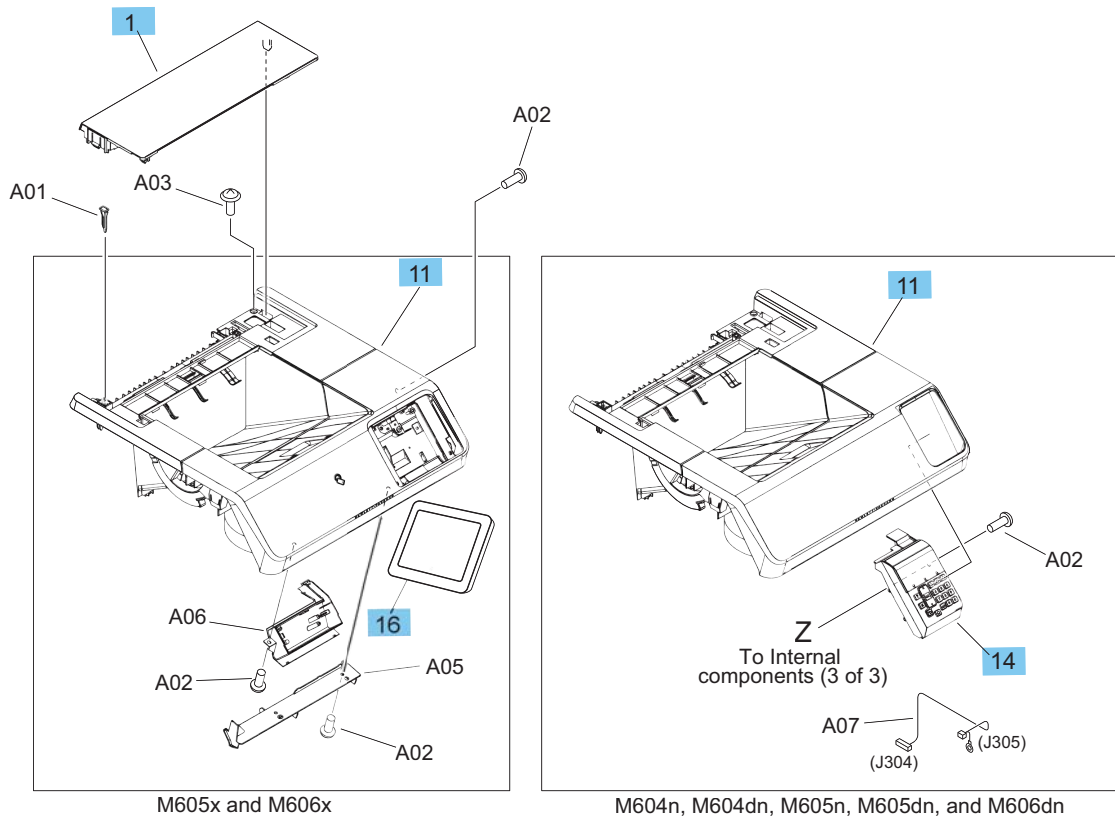


Table 2-3 Covers

Ref	Description	Part number	Qty
1	Cover, output accessory	RL2-1404-000CN	1
2	Cover, formatter	RC4-5802-000CN	1
3	Cover, right front	RC4-5837-000CN	1
4	PCA, switch	RM2-6327-000CN	1
5	Cover, duplexing	RM2-6310-000CN	1
6	Cover, legal	RC4-5872-000CN	1
7	Face-up tray assembly	RM2-6298-000CN	1
8	Cover, front (M604) ¹	E6B67-67927	1
8	Cover, front (M605) ¹	E6B69-67901	1
8	Cover, front (M606) ¹	E6B72-67901	1
9	Cover, right	RM2-6311-000CN	1
10	Cover, left	RM2-6312-000CN	1
11	Cover, top (M605n, M605dn, and M606dn)	RM2-6307-000CN	1
11	Cover, top (M604n and M604dn)	RM2-6919-000CN	1
11	Cover, top (M605x and M606x)	RM2-6306-000CN	1
12	Cover, HIP	RC4-5803-000CN	1
13	Switch button assembly	RM2-6333-000CN	1
14	Control panel (M604n, M604dn, M605n, M605dn, and M606dn)	RM2-7682-000CN	1
15	Cover, right rear	RC4-5804-000CN	1
16	Control panel (M605x and M606x)	E6B67-67914	1

¹ Tray 1 is part of the front cover.

Internal components

Internal components (1 of 3)

Figure 2-2 Internal components (1 of 3)

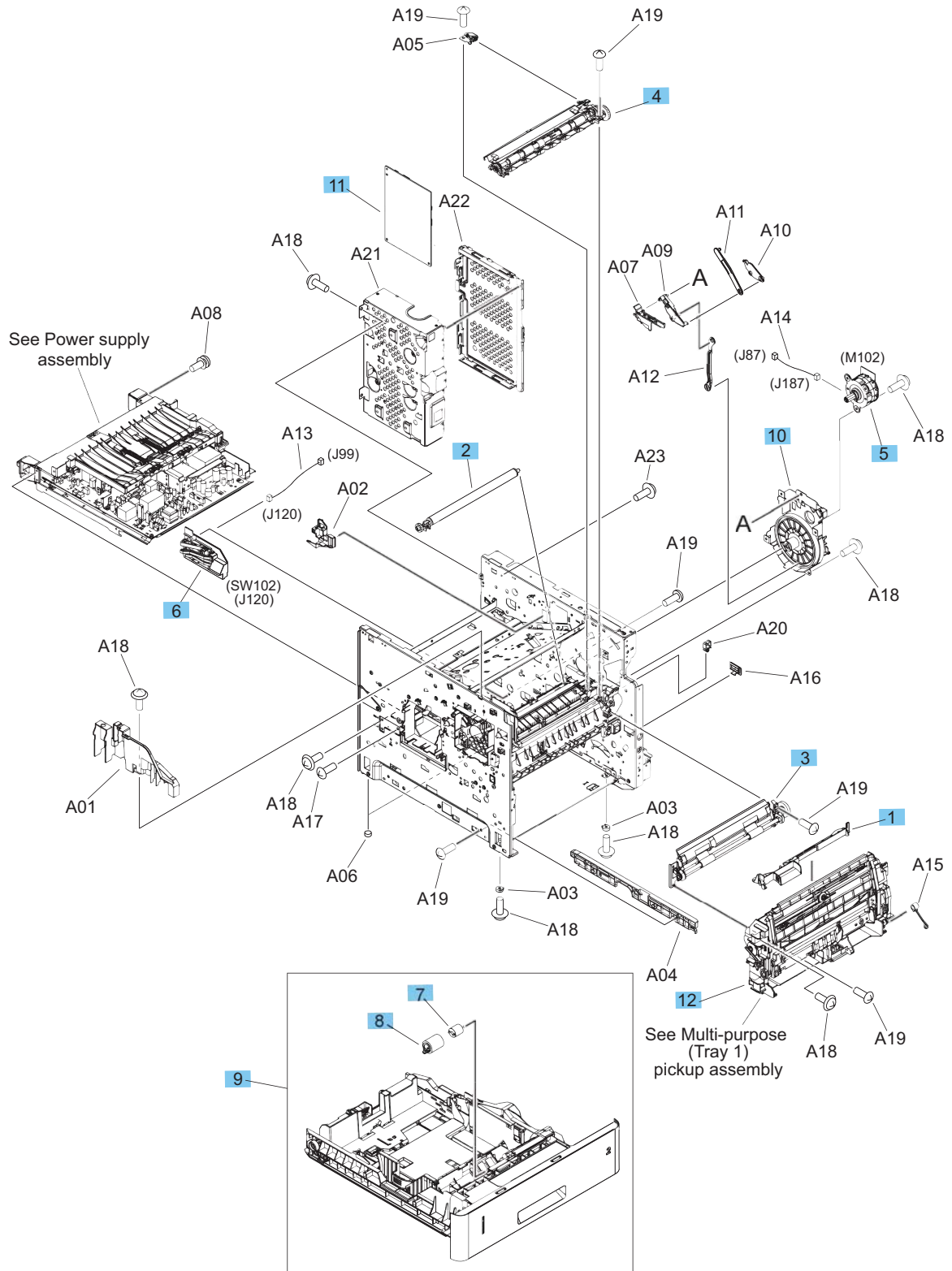


Table 2-4 Internal components (1 of 3)

Ref	Description	Part number	Qty
1	Cover, envelope	RL1-1667-000CN	1
2	Transfer roller kit	E6B67-67904	1
3	Paper feed roller assembly	RM1-8411-010CN	1
4	Registration assembly	RM1-8413-000CN	1
5	Drum motor assembly	RM1-8358-000CN	1
6	Size detect assembly	RM1-4525-000CN	1
7	Torque limiter kit	E6B67-67926	1
8	Roller, paper feed (part of Tray 2-6 roller kit)	E6B67-67905	1
9	Cassette (Tray 2 only)	RM2-6296-000CN	1
	NOTE: If replacing the tray for the 500-sheet feeder, order part number RM2-6275-000CN.		
10	Drum drive assembly	RM2-6920-000CN	1
11	PCA, formatter	E6B69-60001	1
12	Multi-purpose (Tray 1) pickup assembly	RM2-6323-000CN	1
Not shown	Wireless PCA, embedded	1150-7968	1
Not shown	Near field communication (NFC) PCA, embedded	B5L24-60002	1

Internal components (2 of 3)

Figure 2-3 Internal components (2 of 3)

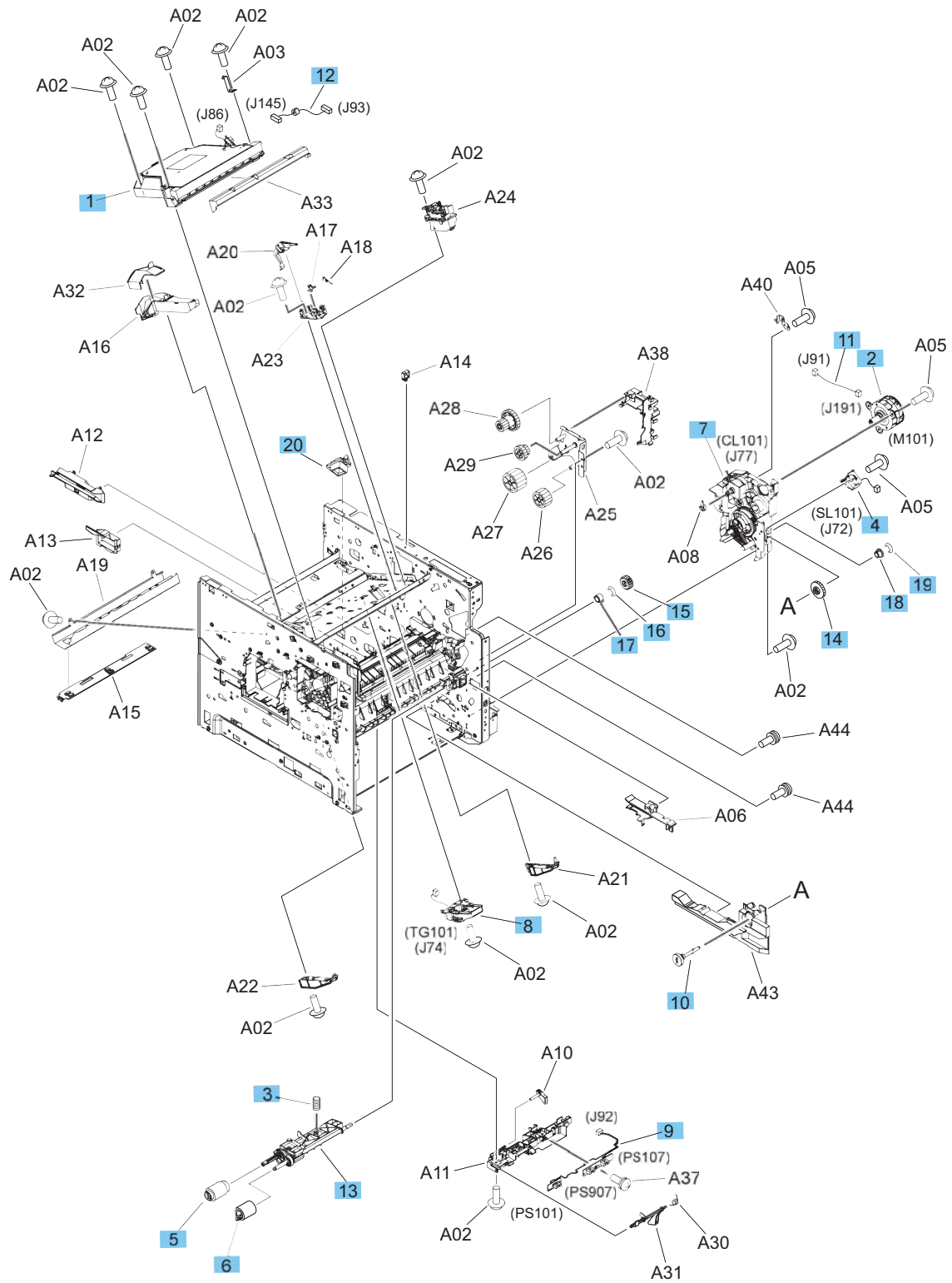


Table 2-5 Internal components (2 of 3)

Ref	Description	Part number	Qty
1	Laser scanner assembly	RM1-8406-000CN	1
2	Paper feed motor assembly	RM1-8285-000CN	1
3	Spring, compression	RC1-0213-000CN	1
4	Solenoid	RL2-1409-000CN	1
5	Roller, paper pickup (part of Tray 2-6 roller kit)	E6B67-67905	1
6	Roller, paper feed (part of Tray 2-6 roller kit)	E6B67-67905	1
7	Paper pickup drive assembly	RM1-8415-000CN	1
8	Tag holder assembly	RM1-4539-000CN	1
9	Feeder sensor cable assembly	RM2-7687-000CN	1
10	Shaft, retard drive	RL1-3020-000CN	1
11	Cable, feed motor	RM1-8311-000CN	1
12	Cable, laser	RM1-8340-000CN	1
13	Paper feed shaft assembly	RM1-8424-000CN	1
14	Gear, 23T	RU5-0040-000CN	1
15	Gear, 18T	RU5-0088-000CN	1
16	Ring, E	XD9-0233-010CN	1
17	Bushing	RC3-1403-000CN	1
18	Bushing	RC1-0214-000CN	1
19	Ring, E	XD9-0232-010CN	1
20	Connector, drawer, 6P	VS1-7500-006CN	1

Internal components (3 of 3)

Figure 2-4 Internal components (3 of 3)

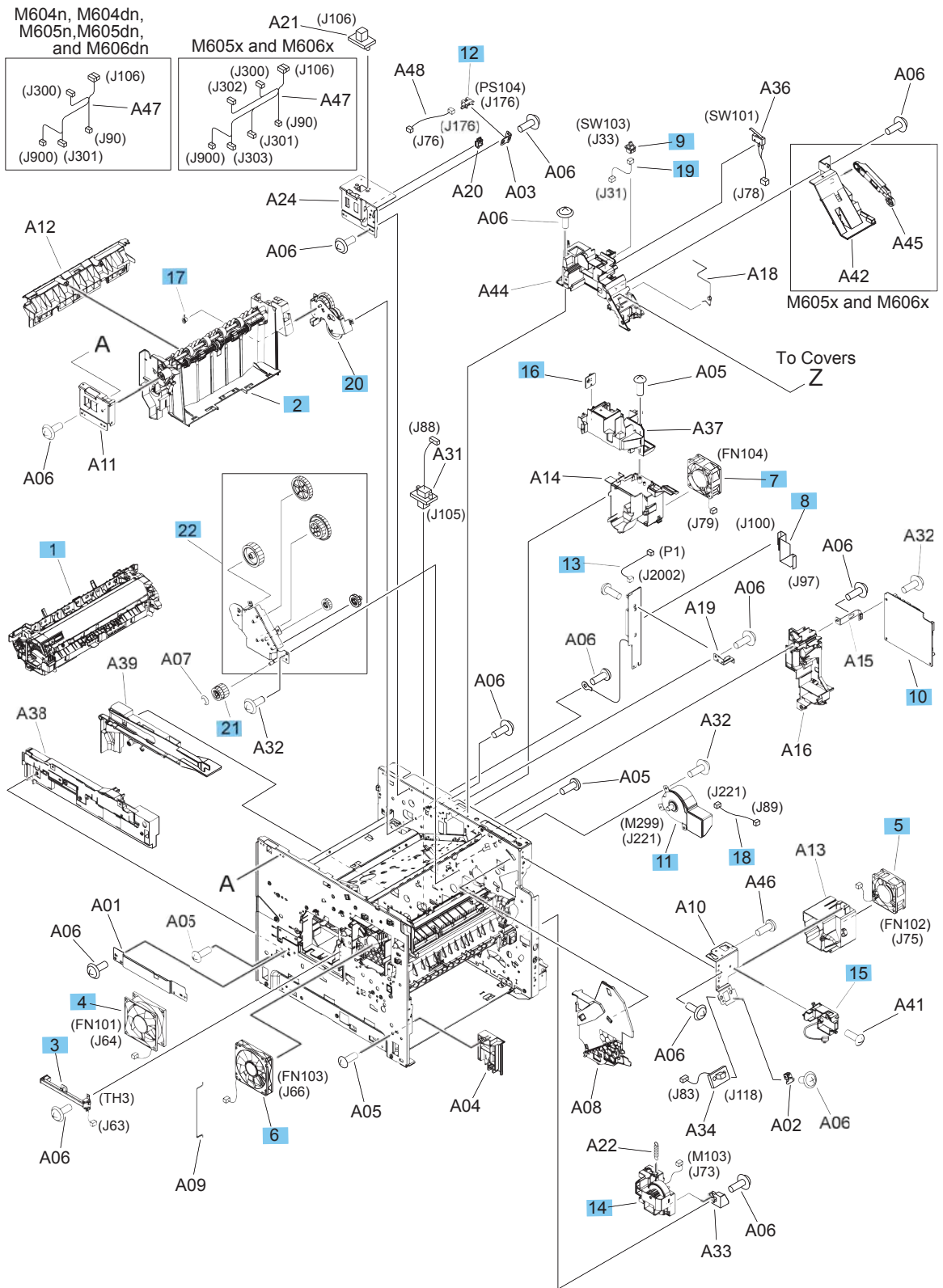


Table 2-6 Internal components (3 of 3)

Ref	Description	Part number	Qty
1	Fuser kit (110V)	E6B67-67901	1
1	Fuser kit (220V)	E6B67-67902	1
2	Paper delivery assembly	RM2-6319-000CN	1
3	Environmental sensor assembly	RM1-8438-000CN	1
4	Fan (FN101)	RK2-1988-000CN	1
5	Fan (FN102)	RK2-1989-000CN	1
6	Fan (FN103)	RK2-3244-000CN	1
7	Fan (FN104)	RK2-1992-000CN	1
8	Cable, flexible flat	RK2-6768-000CN	1
9	Switch, push	WC2-5637-000CN	1
10	PCA, DC controller	RM2-7643-000CN	1
11	Fuser (fixing) motor assembly	RM1-8928-000CN	1
12	IC, photo interrupter	WG8-5849-000CN	1
13	Cable, HIP	RK2-6761-000CN	1
14	Lifter drive assembly	RM2-6335-000CN	1
15	Easy-access USB	RM2-6328-000CN	1
16	PCA, memory (island of data)	RM2-7645-000CN	1
17	Locking bushing, paper delivery	RC1-0136-000CN	1
18	Cable, fuser (fixing) motor	RM1-5088-000CN	1
19	Cable, door switch	RM1-8344-000CN	1
20	Paper delivery drive assembly	RM2-6318-000CN	1
21	Gear 23T/19T	RU7-0295-000CN	1
22	Fuser drive assembly	RM2-6231-000CN	1

Power supply assembly

Figure 2-5 Power supply assembly

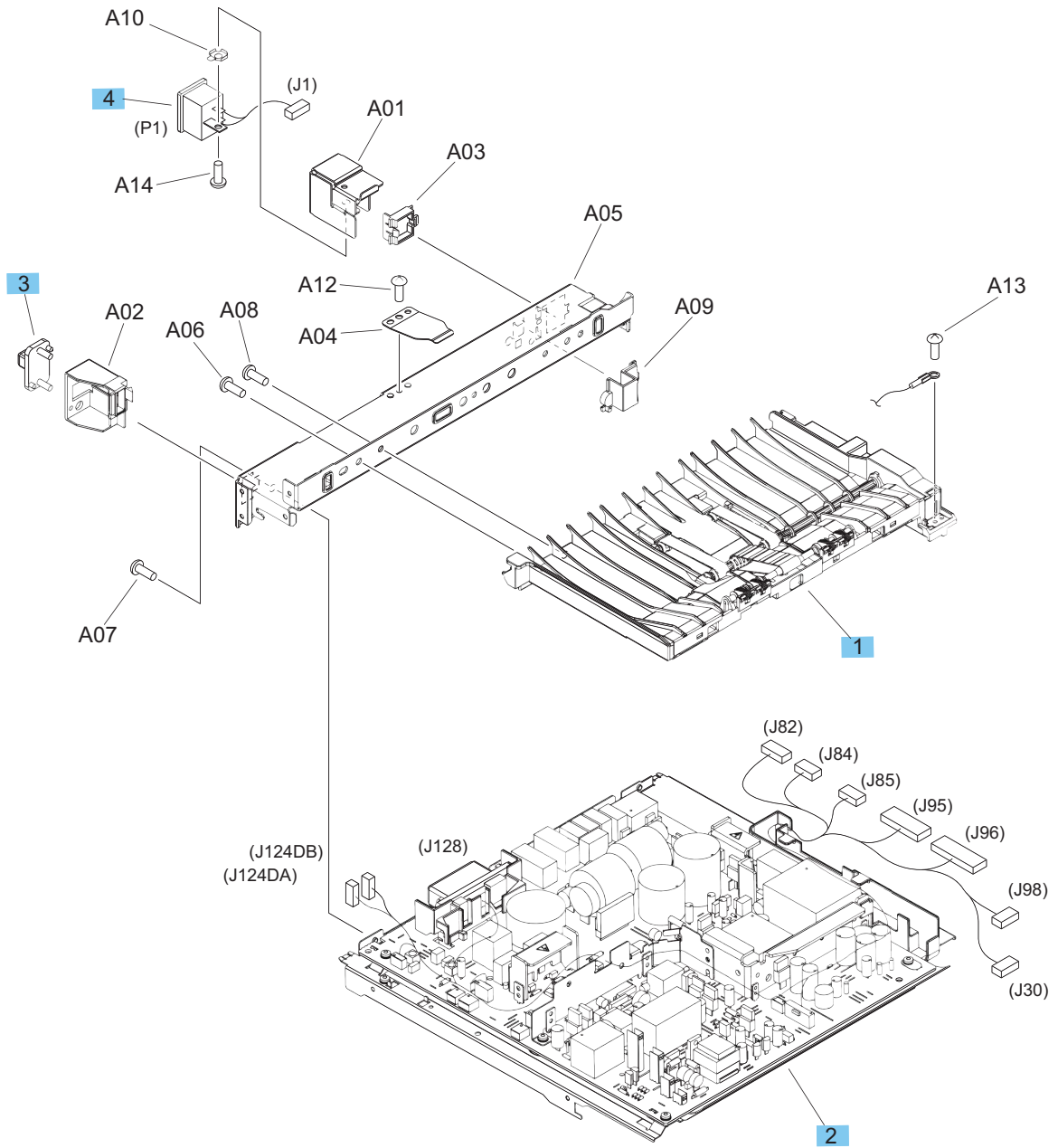


Table 2-7 Power supply assembly

Ref	Description	Part number	Qty
1	Paper feed assembly	RM1-4548-000CN	1
2	Power supply assembly (110V)	RM2-6301-000CN	1
2	Power supply assembly (220V)	RM2-6349-000CN	1
3	Connector, drawer 6P	VS1-7514-006CN	1
4	Cable, inlet	RM1-8348-000CN	1

Multi-purpose (Tray 1) pickup assembly

Figure 2-6 Multi-purpose (Tray 1) pickup assembly

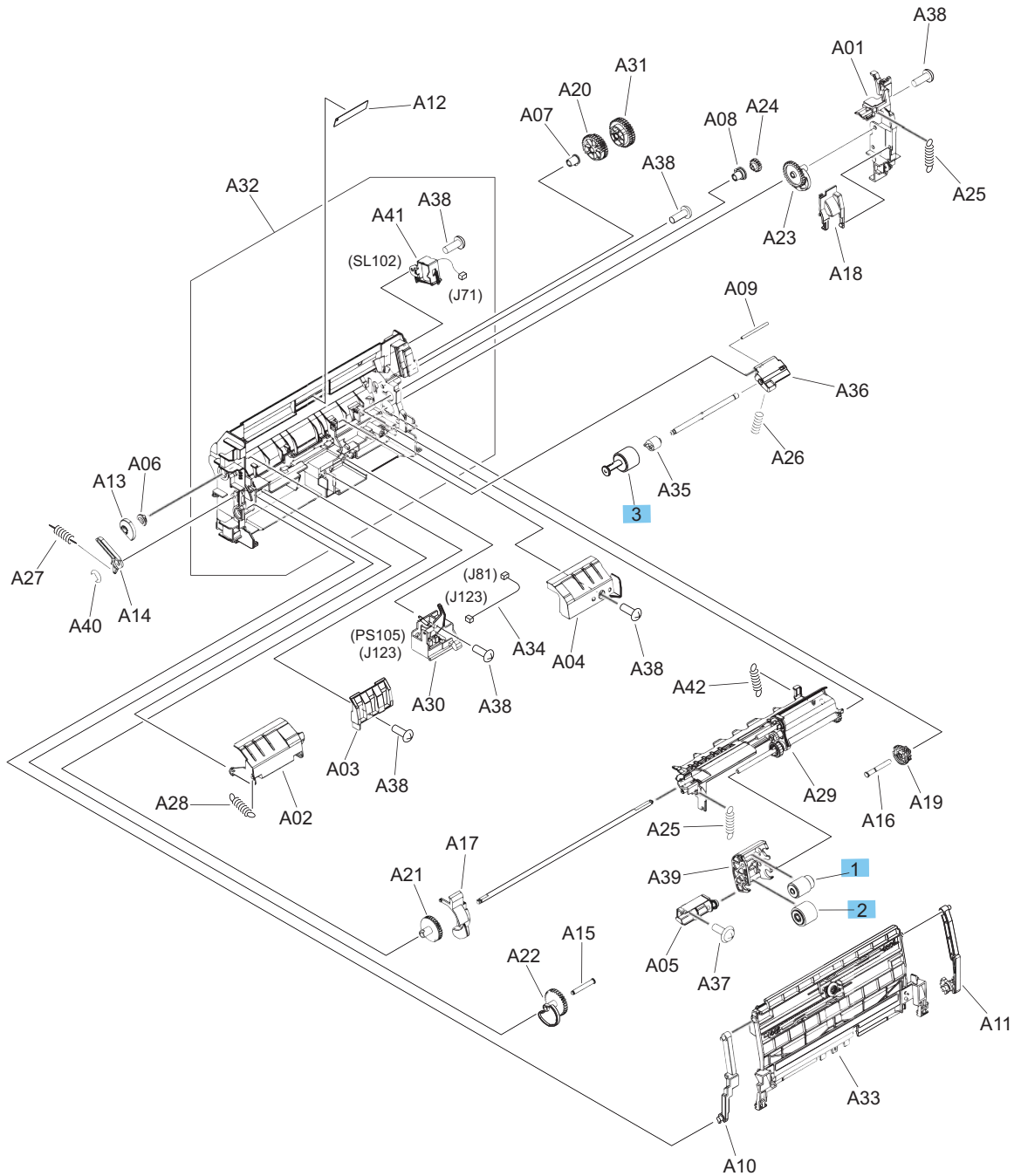


Table 2-8 Multi-purpose (Tray 1) pickup assembly

Ref	Description	Part number	Qty
1	Roller, paper pickup (part of Tray 1 roller kit)	E6B67-67906	1
2	Roller, paper feed (part of Tray 1 roller kit)	E6B67-67906	1
3	Roller, separation (part of Tray 1 roller kit)	E6B67-67906	1

Duplexer

Figure 2-7 Duplexer

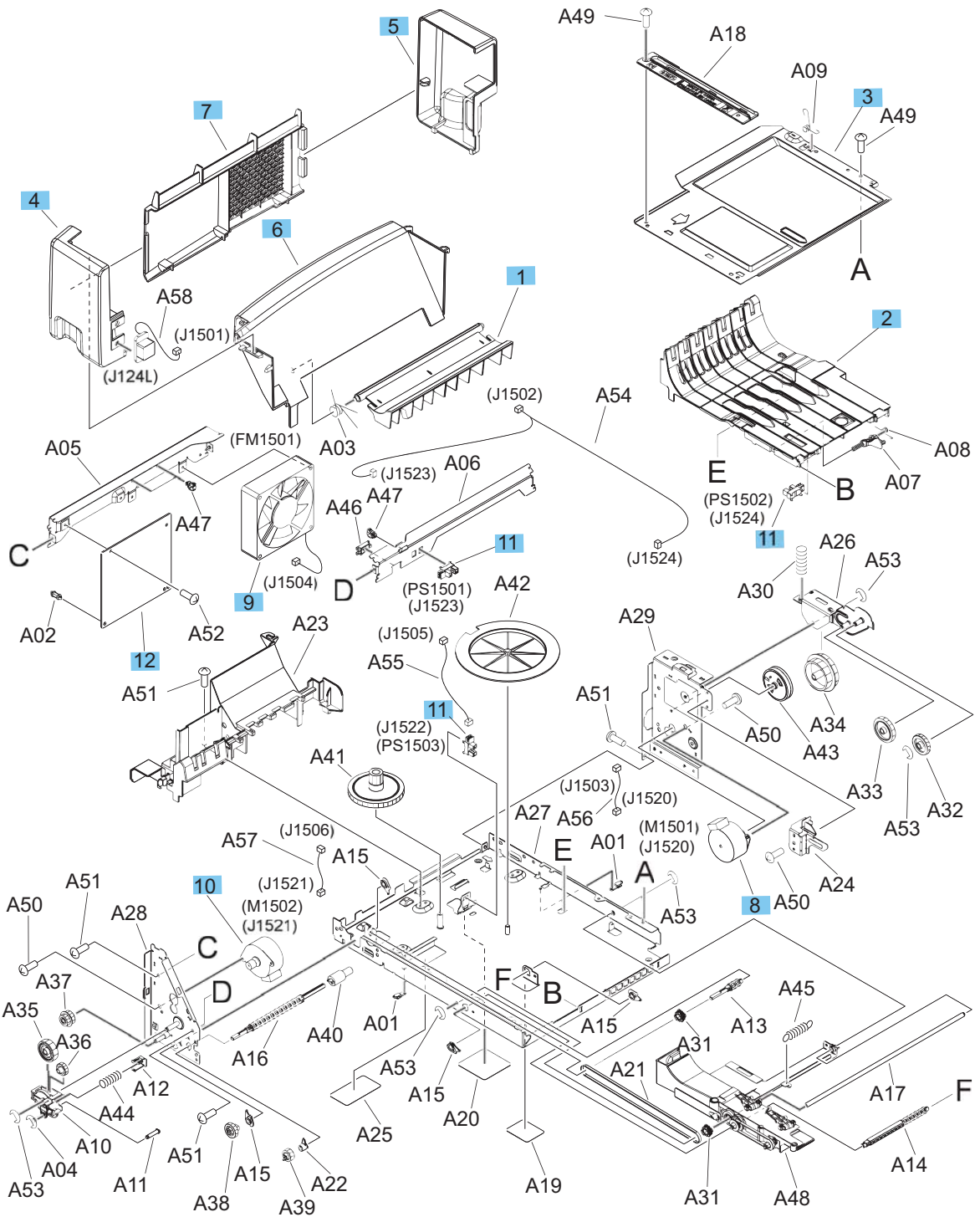


Table 2-9 Duplexer

Ref	Description	Part number	Qty
1	Deflector, paper re-pickup (duplexer)	RC4-5907-000CN	1
2	Guide, paper re-pickup, lower (duplexer)	RC2-2599-000CN	1
3	Guide, paper re-pickup, upper (duplexer)	RC2-2602-000CN	1
4	Cover, left (duplexer)	RC4-5905-000CN	1
5	Cover, right (duplexer)	RC4-5903-000CN	1
6	Cover, upper (duplexer)	RC4-5906-000CN	1
7	Cover, rear (duplexer)	RC4-5904-000CN	1
8	Motor, stepping, DC24V (duplexer)	RK2-7885-000CN	1
9	Fan (duplexer)	RK2-2016-000CN	1
10	Motor, stepping, DC24V (duplexer)	RK2-2139-000CN	1
11	Photo interrupter (duplexer)	WG8-5849-000CN	3
12	PCA (duplexer)	RM2-7656-000CN	1

Envelope feeder

Envelope feeder covers and panels

Figure 2-8 Envelope feeder covers and panels

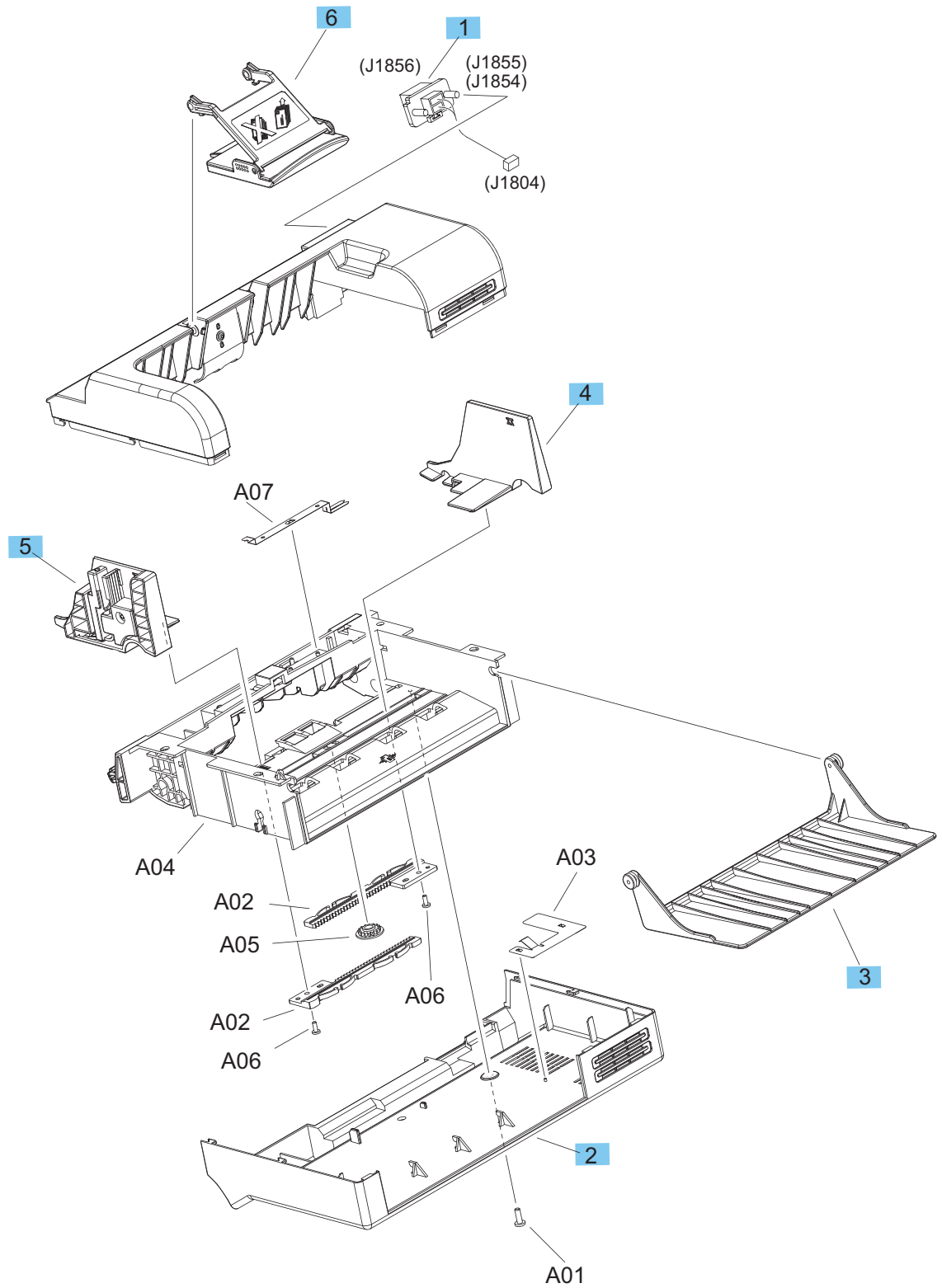


Table 2-10 Envelope feeder covers and panels

Ref	Description	Part number	Qty
1	Cable, interface (envelope feeder)	RM1-9032-000CN	1
2	Cover, lower (envelope feeder)	RC4-6890-000CN	1
3	Tray, extension (envelope feeder)	RC4-6891-000CN	1
4	Guide, width limit, right (envelope feeder)	RC4-6107-000CN	1
5	Paper side end assembly (envelope feeder)	RM2-6171-000CN	1
6	Weight assembly (envelope feeder)	RM2-6728-000CN	1

Envelope feeder internal components (1 of 2)

Figure 2-9 Envelope feeder internal components (1 of 2)

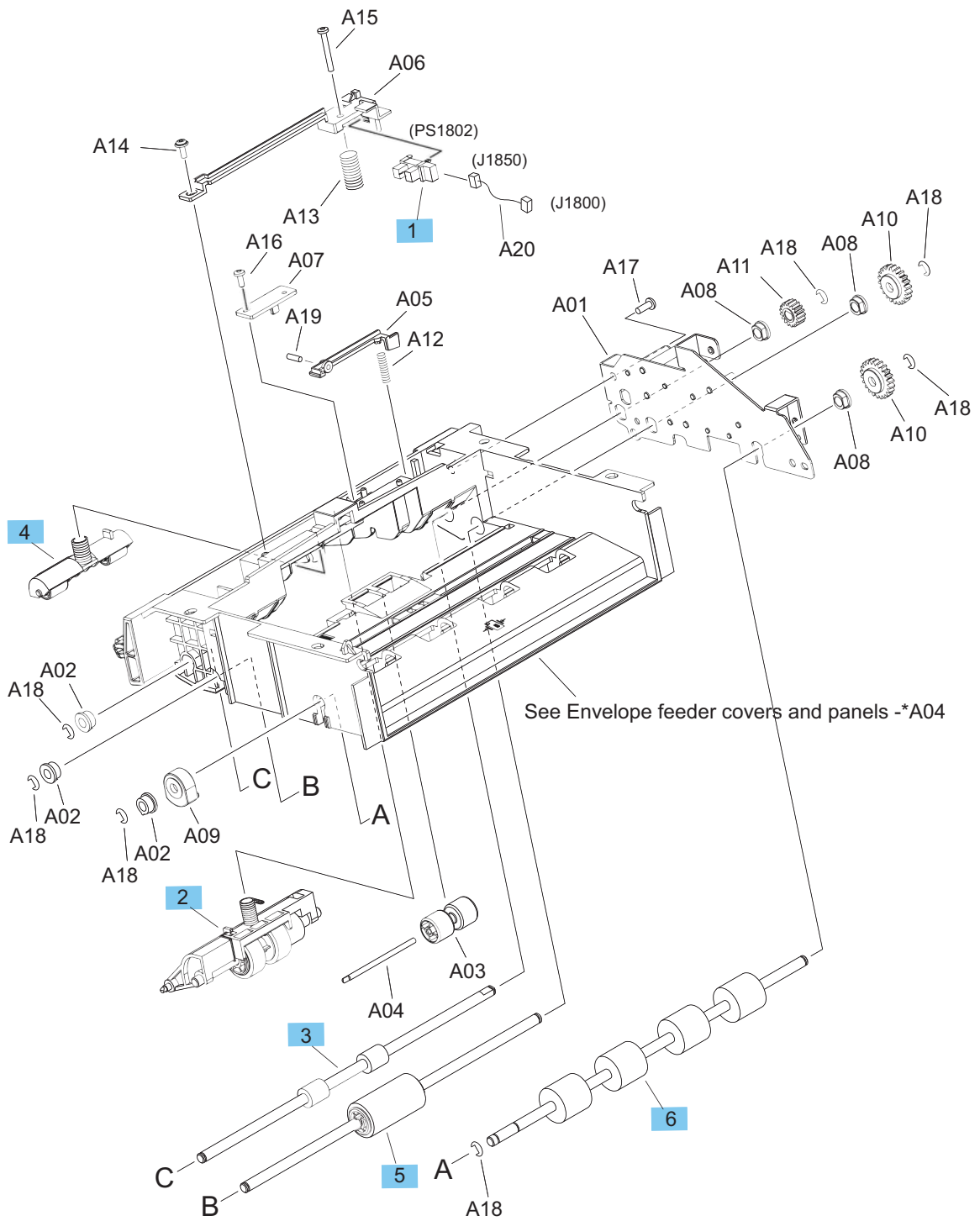


Table 2-11 Envelope feeder internal components (1 of 2)

Ref	Description	Part number	Qty
1	IC, photo interrupter (envelope feeder)	WG8-5624-000CN	1
2	Roller, separation (envelope feeder)	RM1-5224-000CN	1
3	Roller, paper feed (envelope feeder)	RC2-5701-000CN	1
4	Roller, paper feed assembly (envelope feeder)	RM1-5223-000CN	1
5	Roller, paper pickup assembly (envelope feeder)	RM1-5221-000CN	1
6	Roller, paper pickup (envelope feeder)	RC2-5700-000CN	1

Envelope feeder internal components (2 of 2)

Figure 2-10 Envelope feeder internal components (2 of 2)

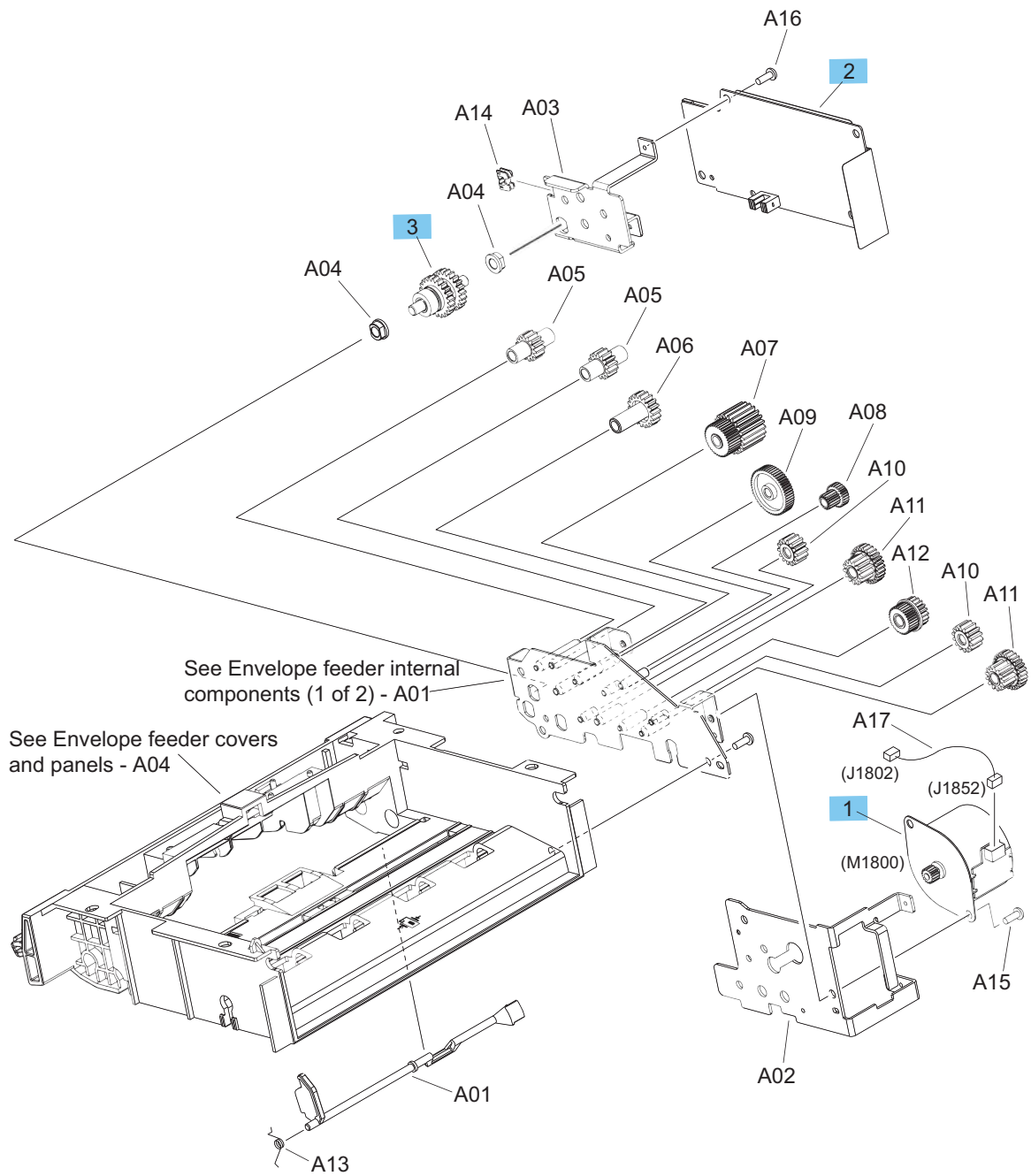


Table 2-12 Envelope feeder internal components (2 of 2)

Ref	Description	Part number	Qty
1	Motor, stepping, DC24V (envelope feeder)	RK2-2162-000CN	1
2	PCA, envelope controller (envelope feeder)	RM2-8651-000CN	1
3	Joint shaft assembly (envelope feeder)	RM1-5222-000CN	1

500-sheet feeder

500-sheet feeder covers

Figure 2-11 500-sheet feeder covers

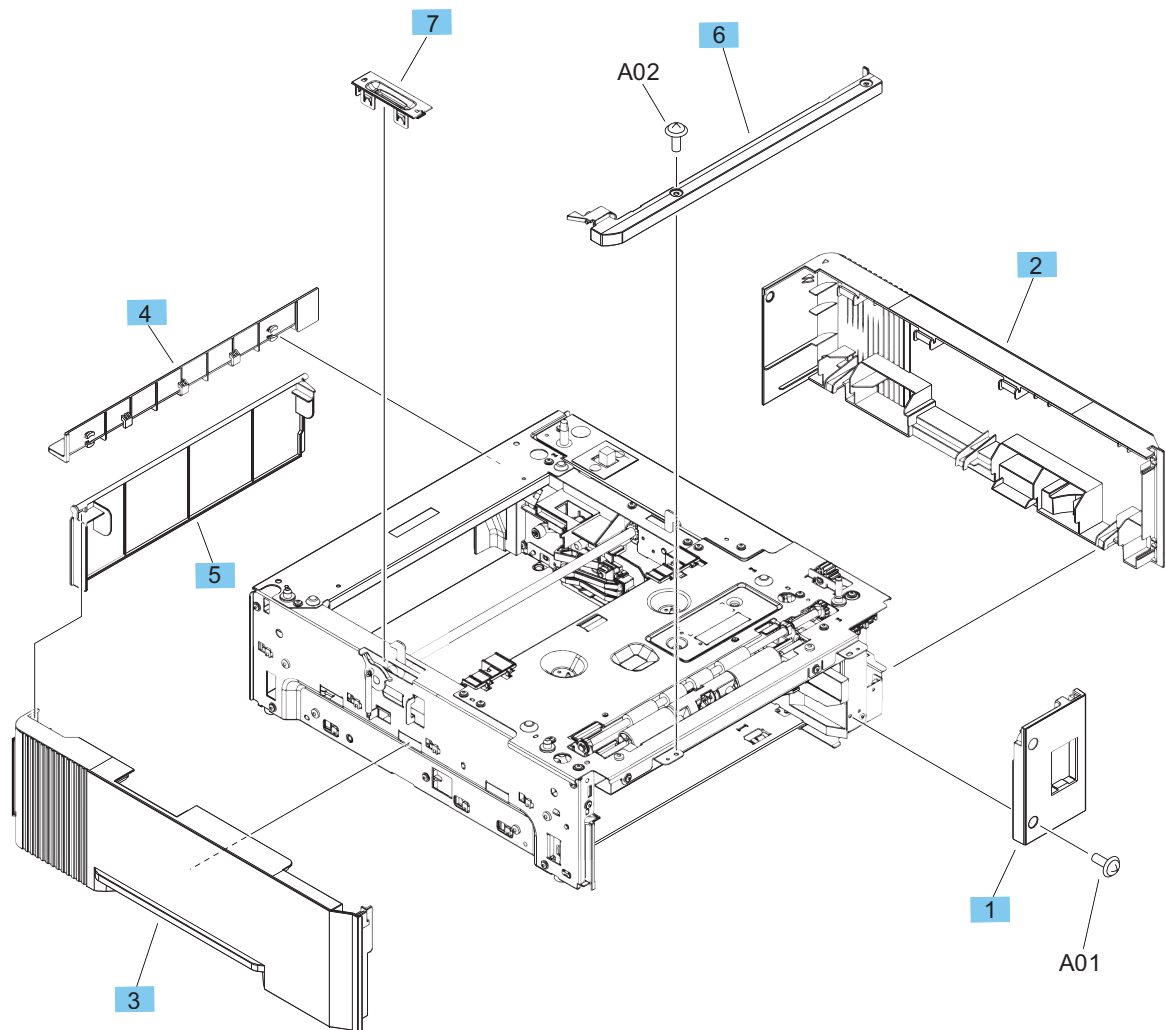


Table 2-13 500-sheet feeder covers

Ref	Description	Part number	Qty
1	Cover, front right (500-sheet feeder)	RC4-5897-000CN	1
2	Cover, right (500-sheet feeder)	RC4-5896-000CN	1
3	Cover, left (500-sheet feeder)	RC4-5895-000CN	1
4	Cover, rear (500-sheet feeder)	RC4-5902-000CN	1
5	Cover, legal (500-sheet feeder)	RC4-5872-000CN	1
6	Cover, front (500-sheet feeder)	RC4-5894-000CN	1
7	Cover, lock (500-sheet feeder)	RC4-5900-000CN	1

500-sheet feeder main body

Figure 2-12 500-sheet feeder main body

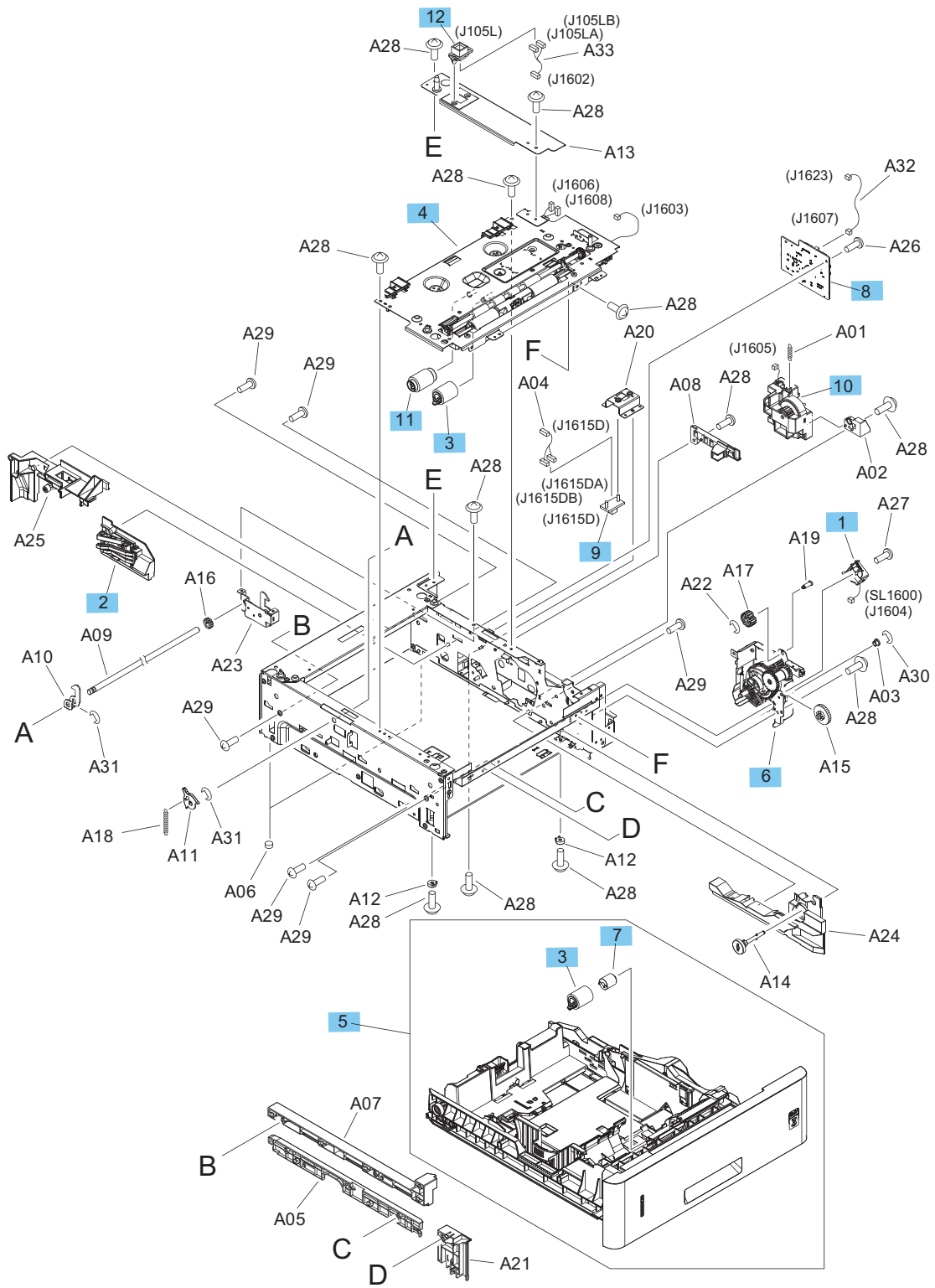


Table 2-14 500-sheet feeder covers

Ref	Description	Part number	Qty
1	Solenoid (500-sheet feeder)	RL2-1410-000CN	1
2	Size detect assembly (500-sheet feeder)	RM1-4525-000CN	1
3	Roller, paper feed (500-sheet feeder; part of Tray 2-6 roller kit)	E6B67-67905	2
4	Top plate front assembly (500-sheet feeder)	RM2-6280-000CN	1
5	Cassette (500-sheet feeder)	RM2-6275-000CN	1
6	Pickup drive side plate assembly (500-sheet feeder)	RM1-8441-000CN	1
7	Torque limiter kit (500-sheet feeder)	E6B67-67926	1
8	PCA (500-sheet feeder)	RM2-7646-000CN	1
9	Connector, drawer, 6P (500-sheet feeder)	VS1-7500-006CN	1
10	Lifter drive assembly (500-sheet feeder)	RM2-6278-000CN	1
11	Roller, paper pickup (500-sheet feeder; part of Tray 2-6 roller kit)	E6B67-67905	1
12	Connector, drawer, 6P (500-sheet feeder)	VS1-7500-006CN	1

1,500-sheet feeder

1,500-sheet feeder covers and panels

Figure 2-13 1,500-sheet feeder covers and panels

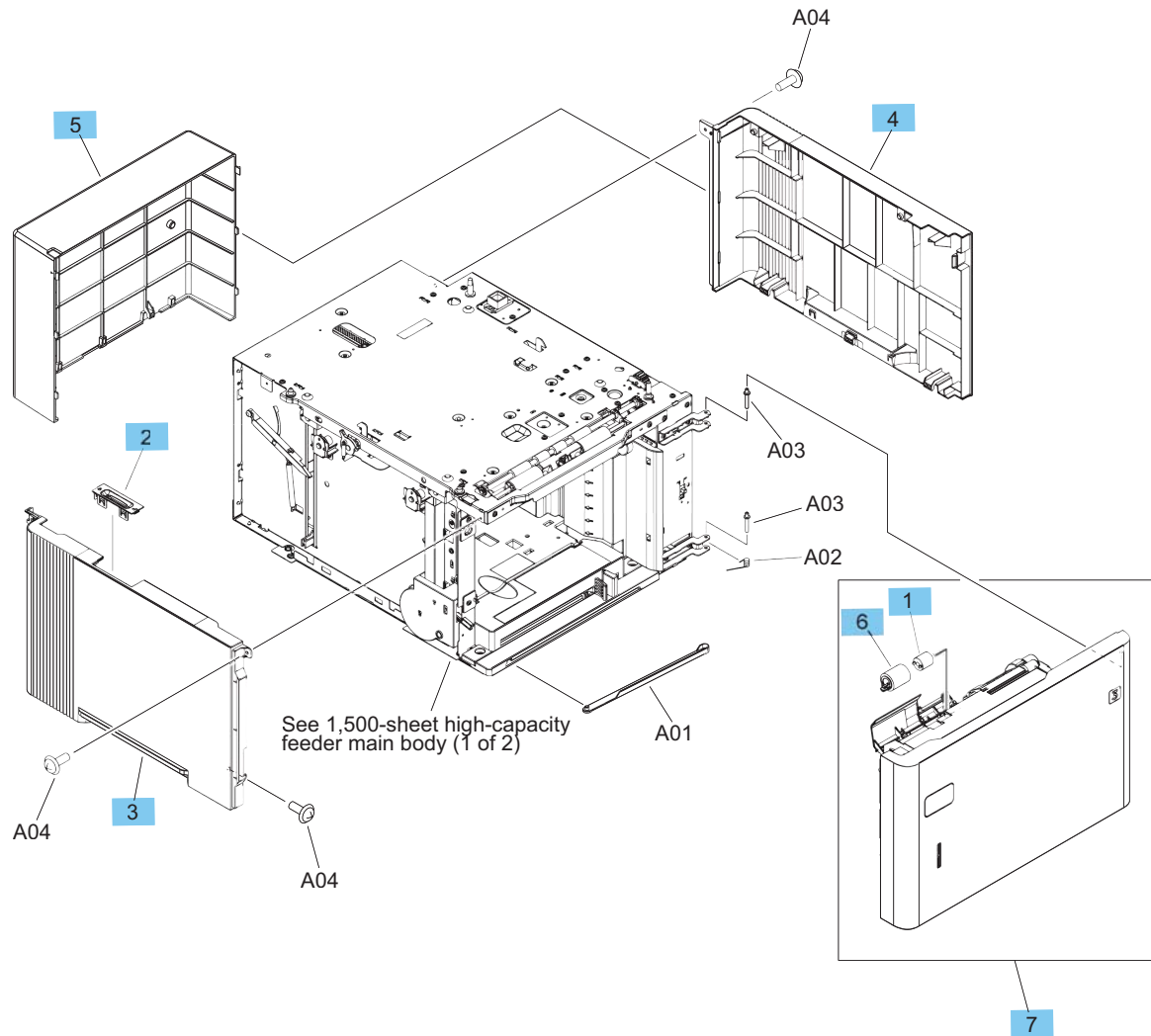


Table 2-15 1,500-sheet feeder covers and panels

Ref	Description	Part number	Qty
1	Torque limiter kit(1,500-sheet feeder)	E6B67-67926	1
2	Cover, lock (1,500-sheet feeder)	RC4-5900-000CN	1
3	Cover, left (1,500-sheet feeder)	RC4-5980-000CN	1
4	Cover, right (1,500-sheet feeder)	RC4-5981-000CN	1
5	Cover, rear (1,500-sheet feeder)	RC4-5989-000CN	1
6	Roller, paper feed (1,500-sheet feeder; part of Tray 2-6 roller kit)	E6B67-67905	1
7	Door, front (1,500-sheet feeder)	RM2-6037-000CN	1

1,500-sheet feeder main body (1 of 2)

Figure 2-14 1,500-sheet feeder main body (1 of 2)

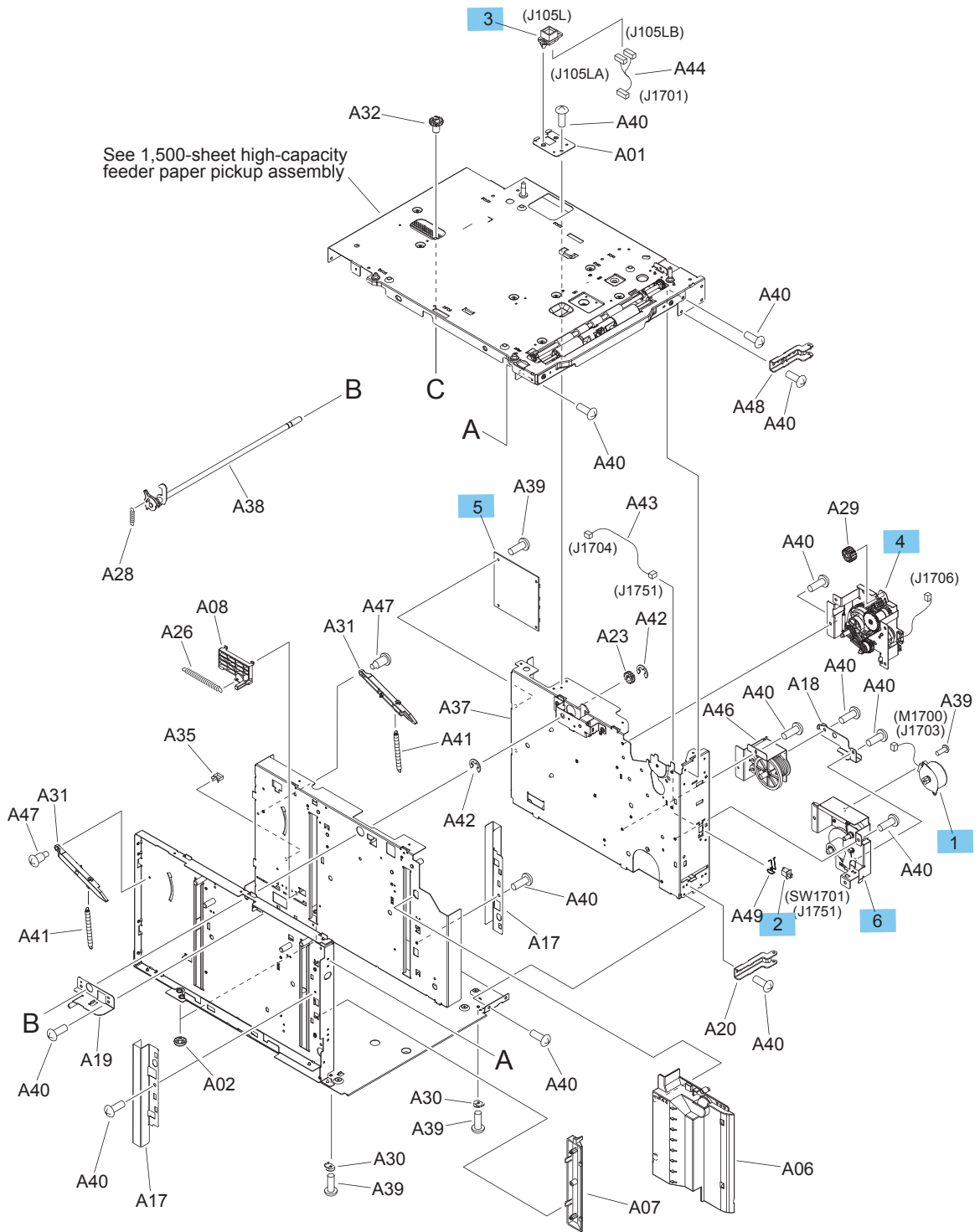


Table 2-16 1,500-sheet feeder main body (1 of 2)

Ref	Description	Part number	Qty
1	Motor, stepping (1,500-sheet feeder)	RH7-1603-020CN	1
2	Switch, push (1,500-sheet feeder)	WC2-5806-000CN	1
3	Connector, drawer, 6P (1,500-sheet feeder)	VS1-7500-006CN	1
4	Paper pickup drive assembly (1,500-sheet feeder)	RM2-6045-000CN	1
5	PCA, paper deck (1,500-sheet feeder)	RM2-7647-000CN	1
6	Lifter drive assembly (1,500-sheet feeder)	RM2-6044-000CN	1

1,500-sheet feeder main body (2 of 2)

Figure 2-15 1,500-sheet feeder main body (2 of 2)

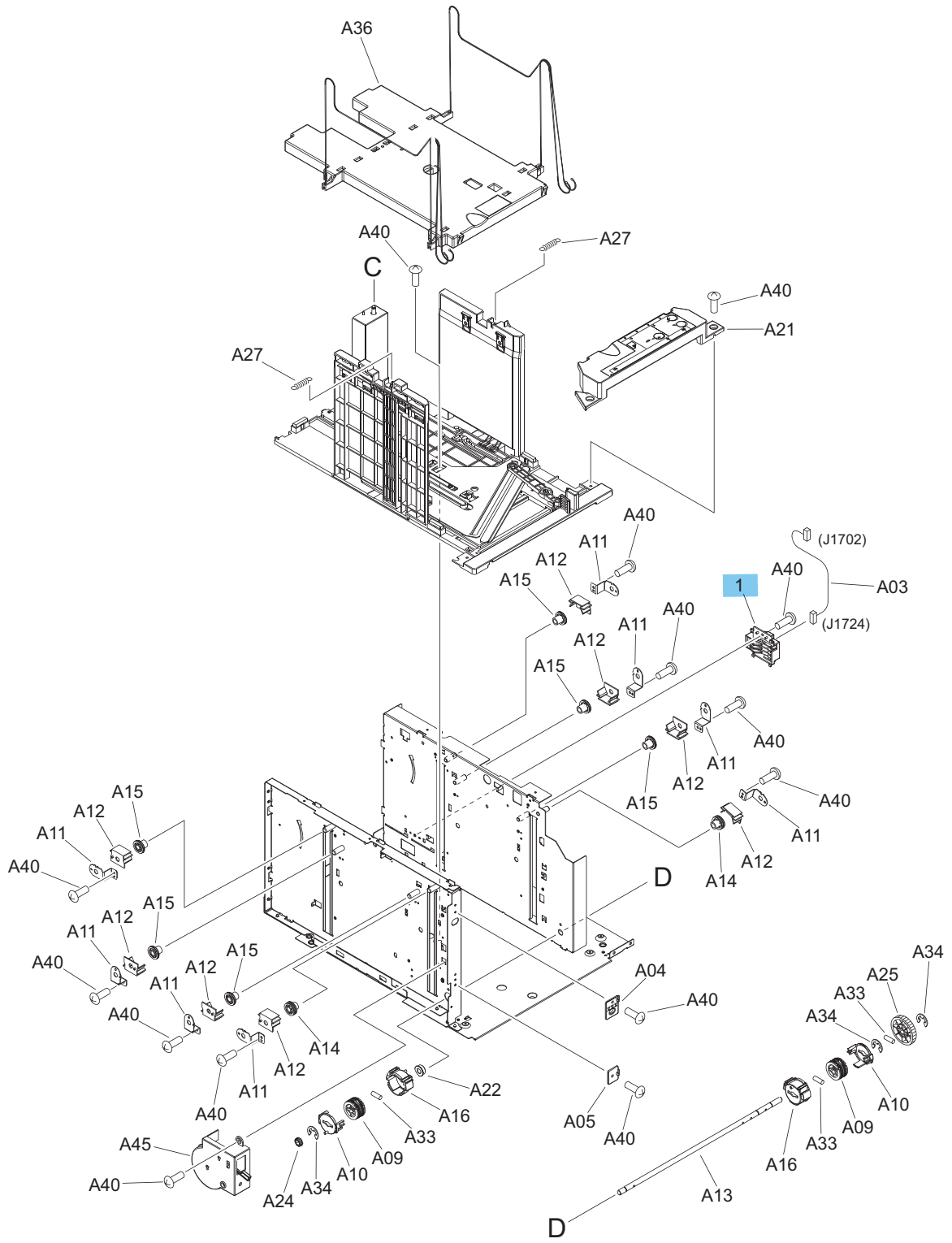


Table 2-17 1,500-sheet feeder main body (2 of 2)

Ref	Description	Part number	Qty
1	Paper size detect assembly (1,500-sheet feeder)	RM1-5261-000CN	1

1,500-sheet feeder paper pickup assembly

Figure 2-16 1,500-sheet feeder paper pickup assembly

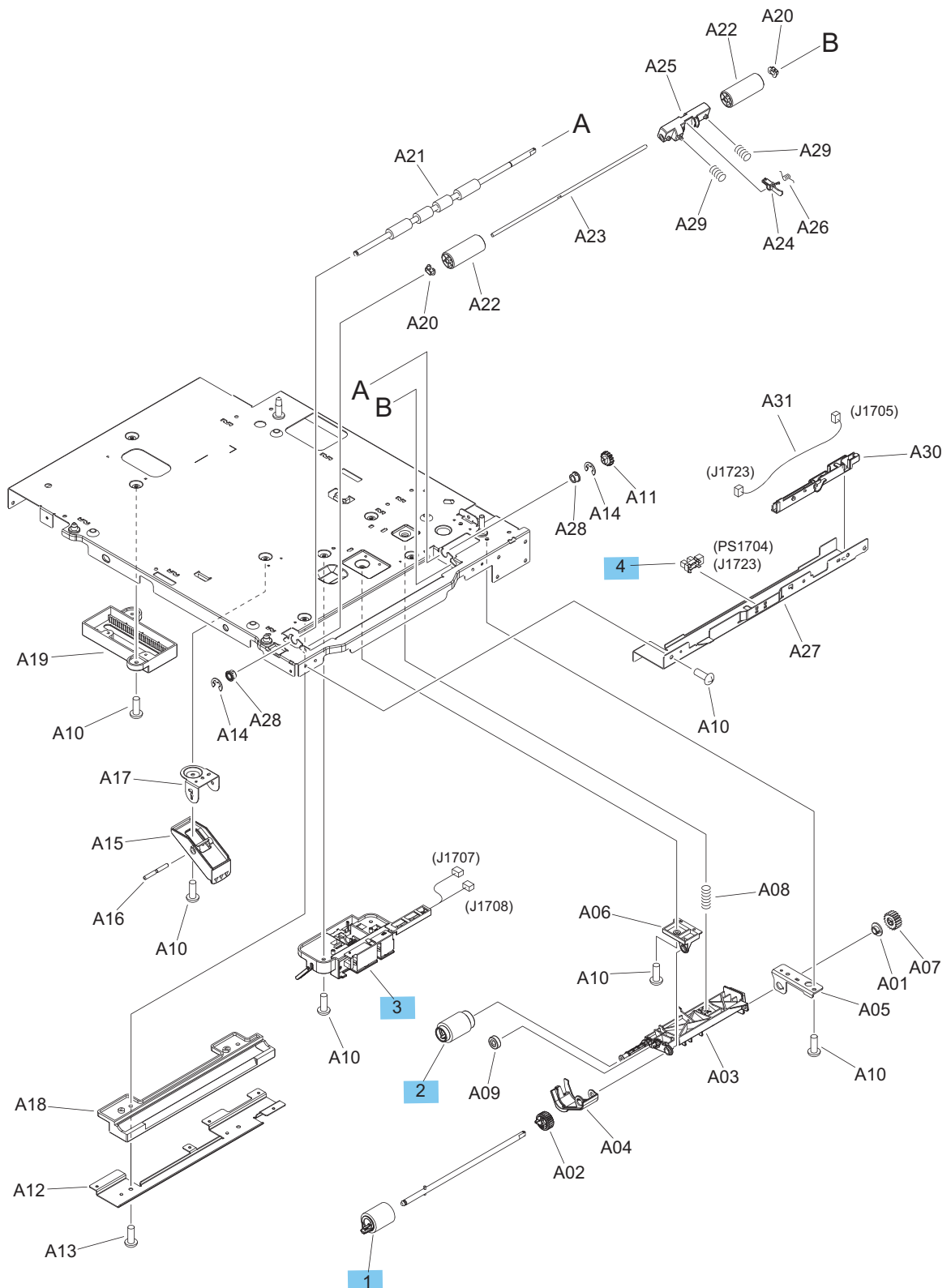


Table 2-18 1,500-sheet feeder paper pickup assembly

Ref	Description	Part number	Qty
1	Roller, paper feed (1,500-sheet feeder; part of Tray 2-6 roller kit)	E6B67-67905	1
2	Roller, paper pickup (1,500-sheet feeder; part of Tray 2-6 roller kit)	E6B67-67905	1
3	Paper detect sensor assembly (1,500-sheet feeder)	RM2-6042-000CN	1
4	IC, photo interrupter (1,500-sheet feeder)	WG8-5849-000CN	1

5-bin mailbox

5-bin mailbox covers and panels

Figure 2-17 5-bin mailbox covers and panels

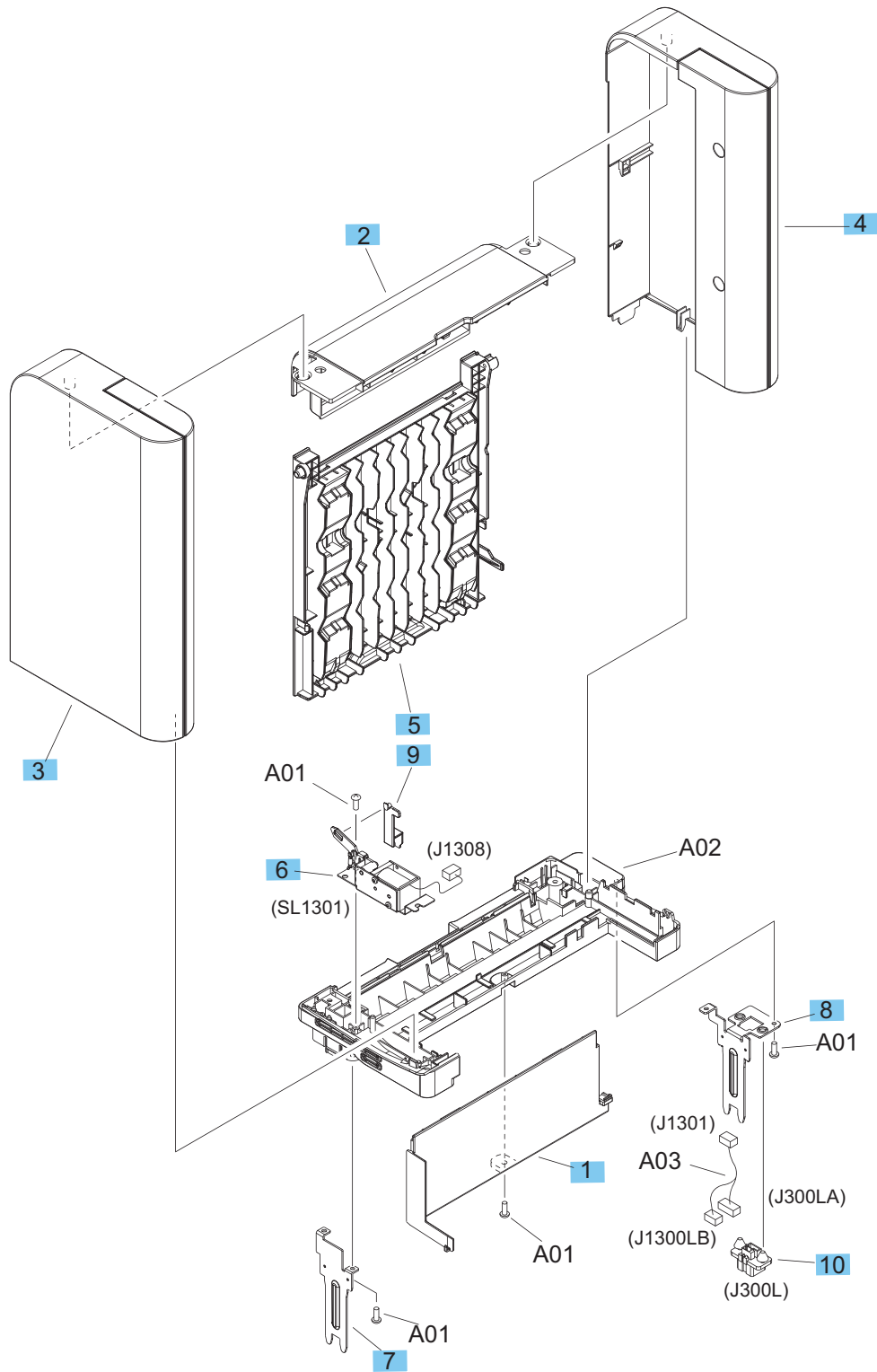


Table 2-19 5-bin mailbox covers and panels

Ref	Description	Part number	Qty
1	Cover, front (5-bin mailbox)	RC4-6204-000CN	1
2	Cover, top (5-bin mailbox)	RL2-1349-000CN	1
3	Cover, left (5-bin mailbox)	RM2-6241-000CN	1
4	Cover, right (5-bin mailbox)	RM2-6242-000CN	1
5	Door, rear (5-bin mailbox)	RM2-6243-000CN	1
6	Solenoid assembly, IN (5-bin mailbox)	RM1-5270-000CN	1
7	Joint, left (5-bin mailbox)	RL1-1703-000CN	1
8	Joint, right (5-bin mailbox)	RL1-1704-000CN	1
9	Lever, IN flapper link (5-bin mailbox)	RL1-2232-000CN	1
10	Connector, 8P (5-bin mailbox)	VS1-7500-008CN	1

5-bin mailbox main body (1 of 2)

Figure 2-18 5-bin mailbox main body (1 of 2)

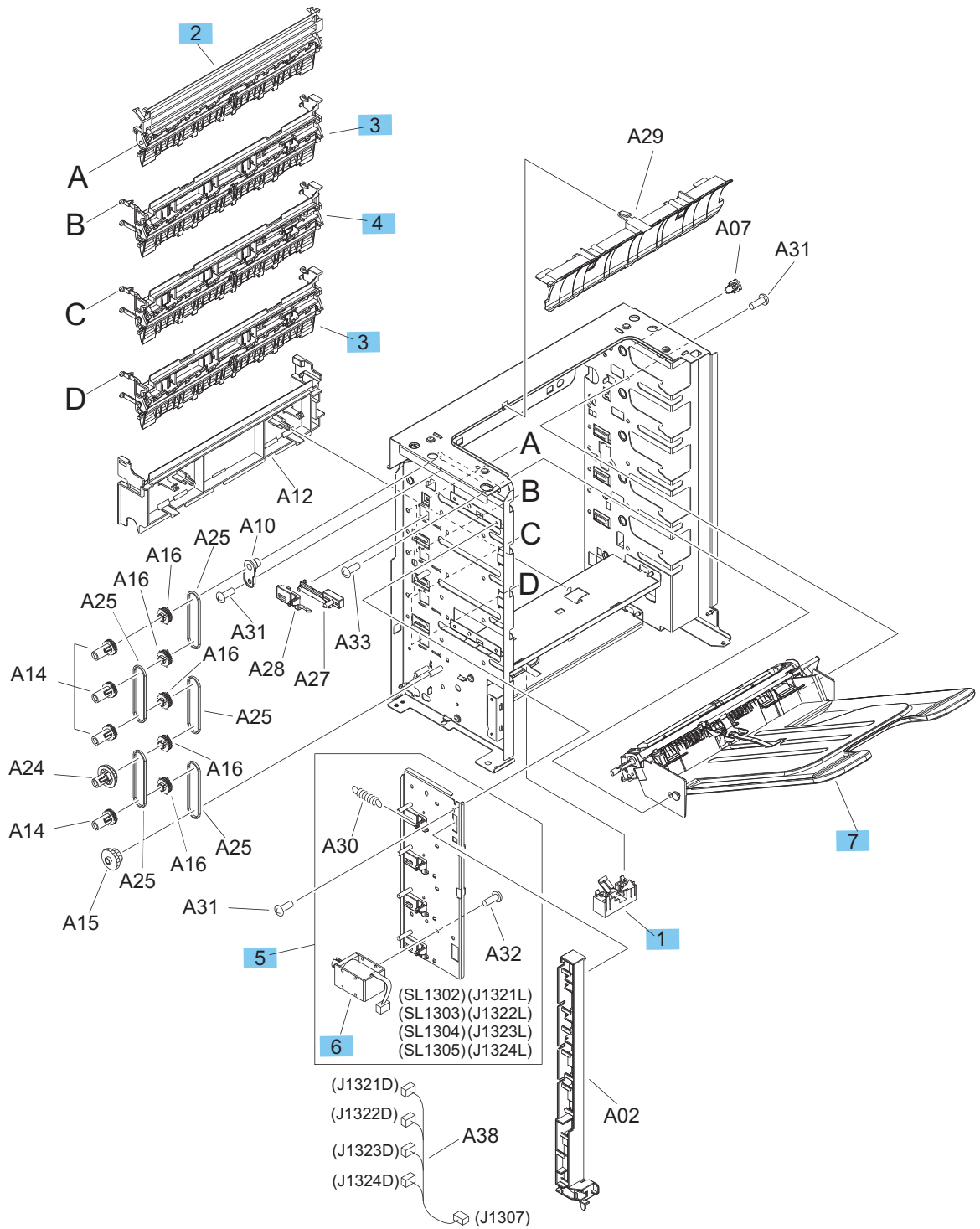


Table 2-20 5-bin mailbox main body (1 of 2)

Ref	Description	Part number	Qty
1	Paper sensing flag assembly(5-bin mailbox)	RM1-5269-000CN	1
2	Top bin flapper assembly (5-bin mailbox)	RM1-4665-000CN	1
3	Bin flapper assembly (5-bin mailbox)	RM1-4666-000CN	2
4	Center bin flapper assembly (5-bin mailbox)	RM1-4667-000CN	1
5	Bin solenoid assembly (5-bin mailbox)	RM1-5266-000CN	1
6	Solenoid (5-bin mailbox)	RL1-1709-000CN	4
7	Bin assembly (5-bin mailbox)	RM2-6248-000CN	5

5-bin mailbox main body (2 of 2)

Figure 2-19 5-bin mailbox main body (2 of 2)

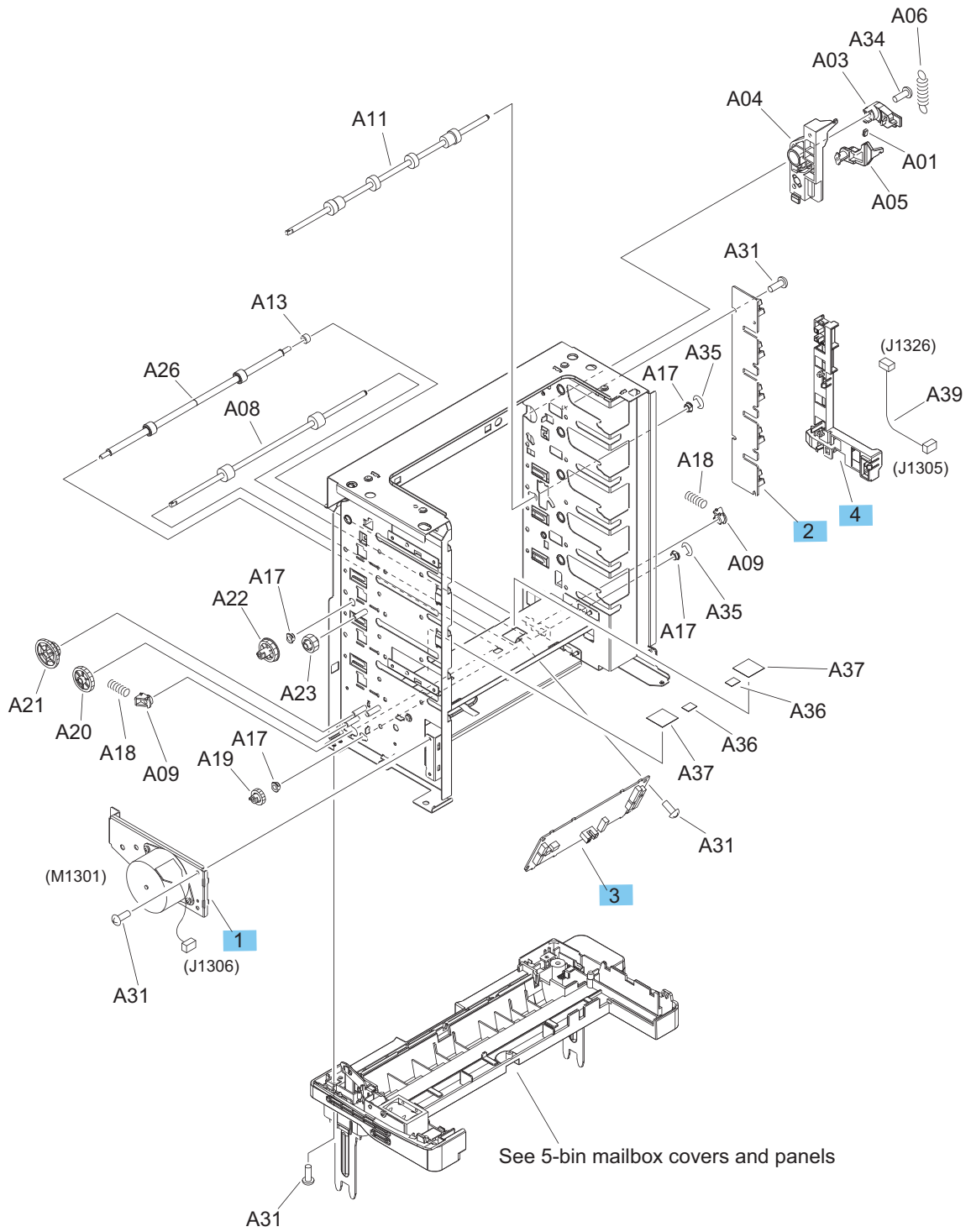


Table 2-21 5-bin mailbox main body (2 of 2)

Ref	Description	Part number	Qty
1	Drive assembly (5-bin mailbox)	RM1-5267-000CN	1
2	Sensor assembly (5-bin mailbox)	RM1-5096-000CN	1
3	PCA (5-bin mailbox)	RM2-7648-000CN	1
4	Cable guide assembly (5-bin mailbox)	RM2-6244-000CN	1

Stacker and stapler/stacker

Stacker and stapler/stacker covers and panels

Figure 2-20 Stacker and stapler/stacker covers and panels

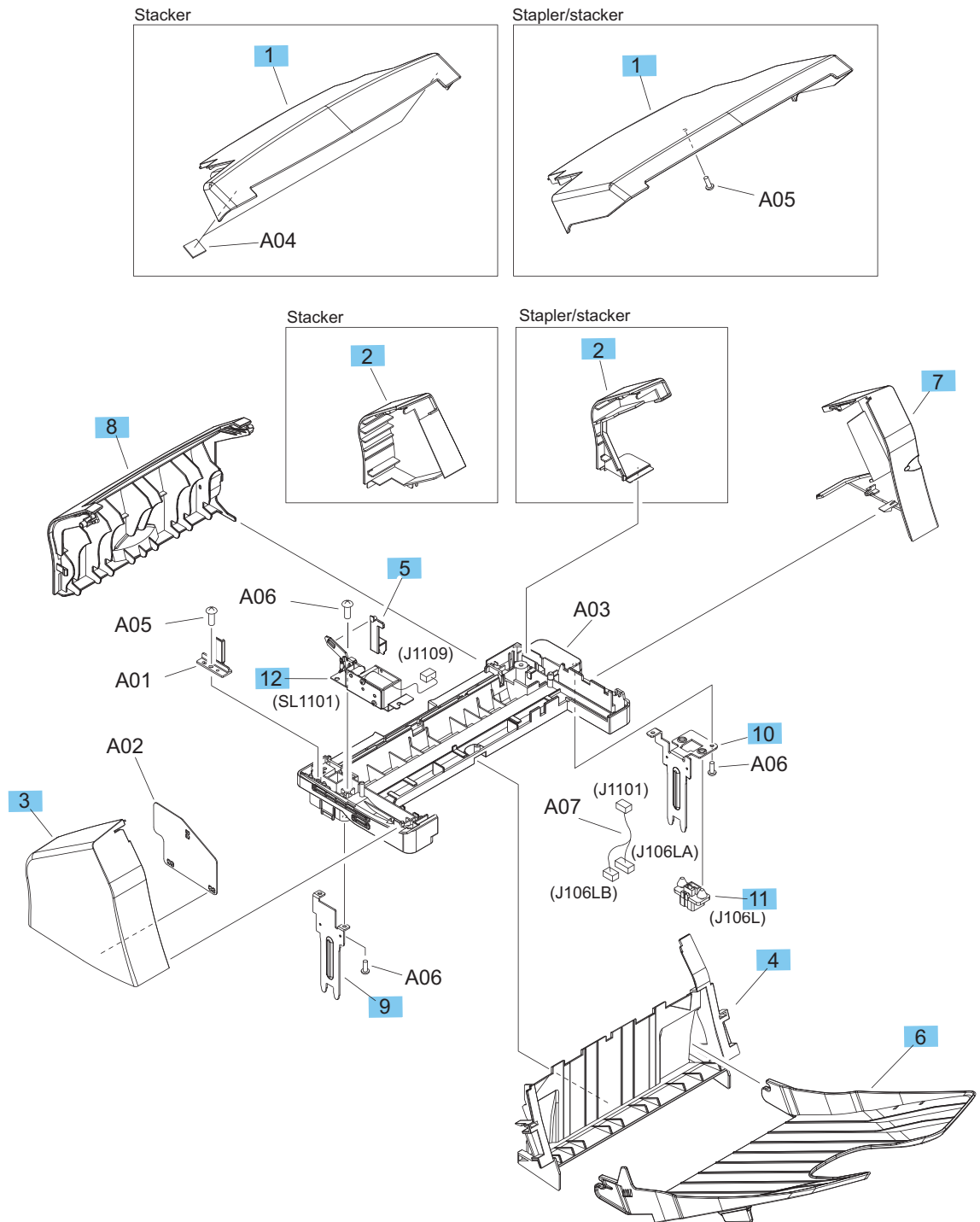


Table 2-22 Stacker and stapler/stacker covers and panels

Ref	Description	Part number	Qty
1	Cover, top (stapler/stacker)	RC4-6162-000CN	1
1	Cover, top (stacker)	RC4-6180-000CN	1
2	Cover, right rear (stapler/stacker)	RC4-6161-000CN	1
2	Cover, right rear (stacker)	RC4-6181-000CN	1
3	Cover, left (stacker and stapler/stacker)	RC4-6158-000CN	1
4	Cover, front (stacker and stapler/stacker)	RL2-1334-000CN	1
5	Lever, IN flapper link (stacker and stapler/stacker)	RL1-2232-000CN	1
6	Tray assembly (stacker and stapler/stacker)	RM2-6199-000CN	1
7	Cover, right front (stacker and stapler/stacker)	RM2-6200-000CN	1
8	Cover, rear (stacker and stapler/stacker)	RM2-6201-000CN	1
9	Joint, left (stacker and stapler/stacker)	RL1-1703-000CN	1
10	Joint, right (stacker and stapler/stacker)	RL1-1704-000CN	1
11	Connector, 8P (stacker and stapler/stacker)	VS1-7500-008CN	1
12	Solenoid assembly, IN (stacker and stapler/stacker)	RM1-5270-000CN	1

Stapler/stacker main body

Figure 2-21 Stapler/stacker main body

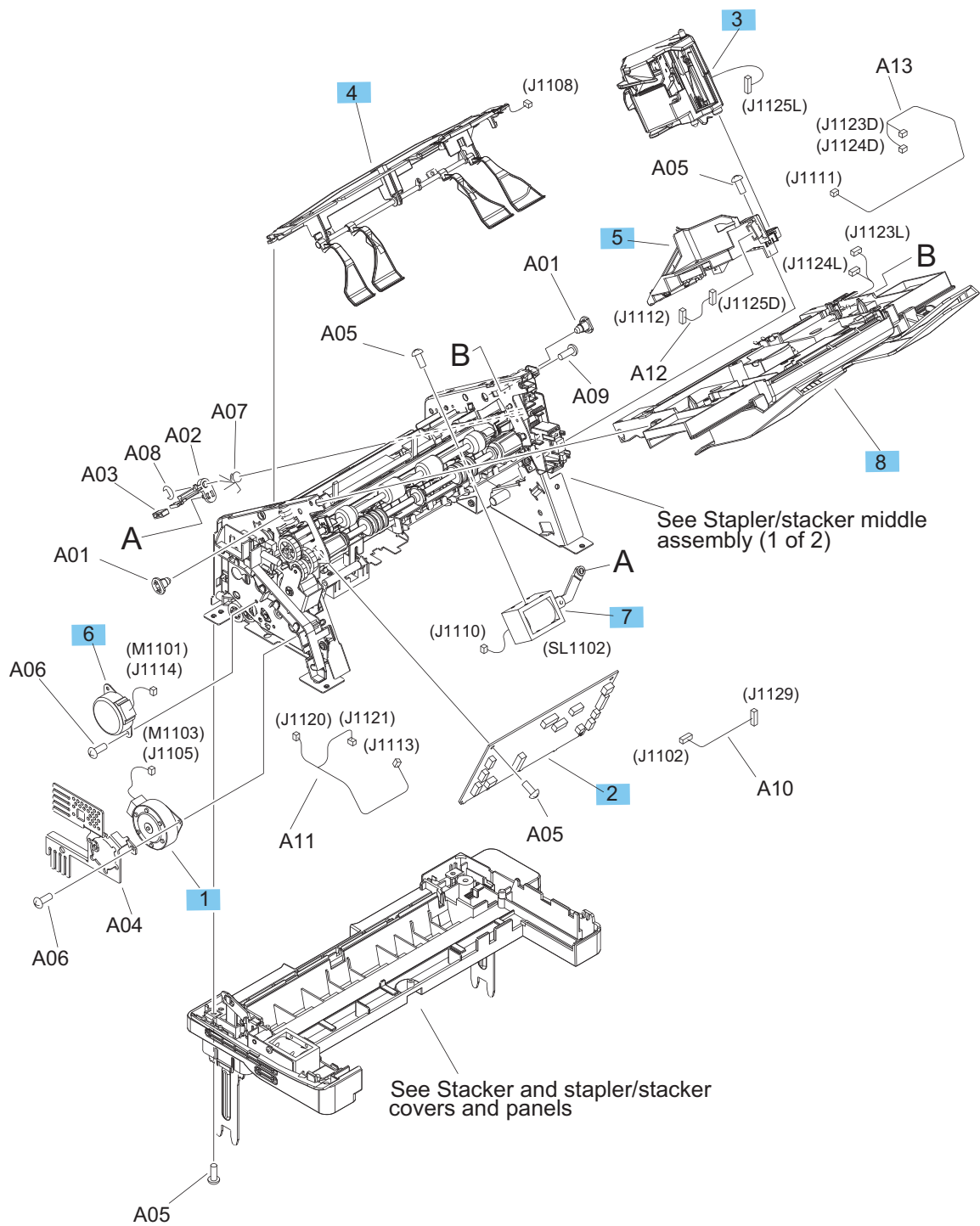


Table 2-23 Stapler/stacker main body

Ref	Description	Part number	Qty
1	Motor, stepping, DC24V (stapler/stacker)	RK2-2025-000CN	1
2	PCA, driver (stapler/stacker)	RM2-7649-000CN	1
3	Stapler assembly (stapler/stacker)	RM2-6202-000CN	1
4	Paper full sensor assembly (stapler/stacker)	RM1-1166-000CN	1
5	Stapler mount assembly (stapler/stacker)	RM1-4827-000CN	1
6	Motor, stepping, DC24V (stapler/stacker)	RK2-2027-000CN	1
7	Solenoid(stapler/stacker)	RL1-0506-000CN	1
8	Jog assembly (stapler/stacker)	RM2-6198-000CN	1

Stacker main body

Figure 2-22 Stacker main body

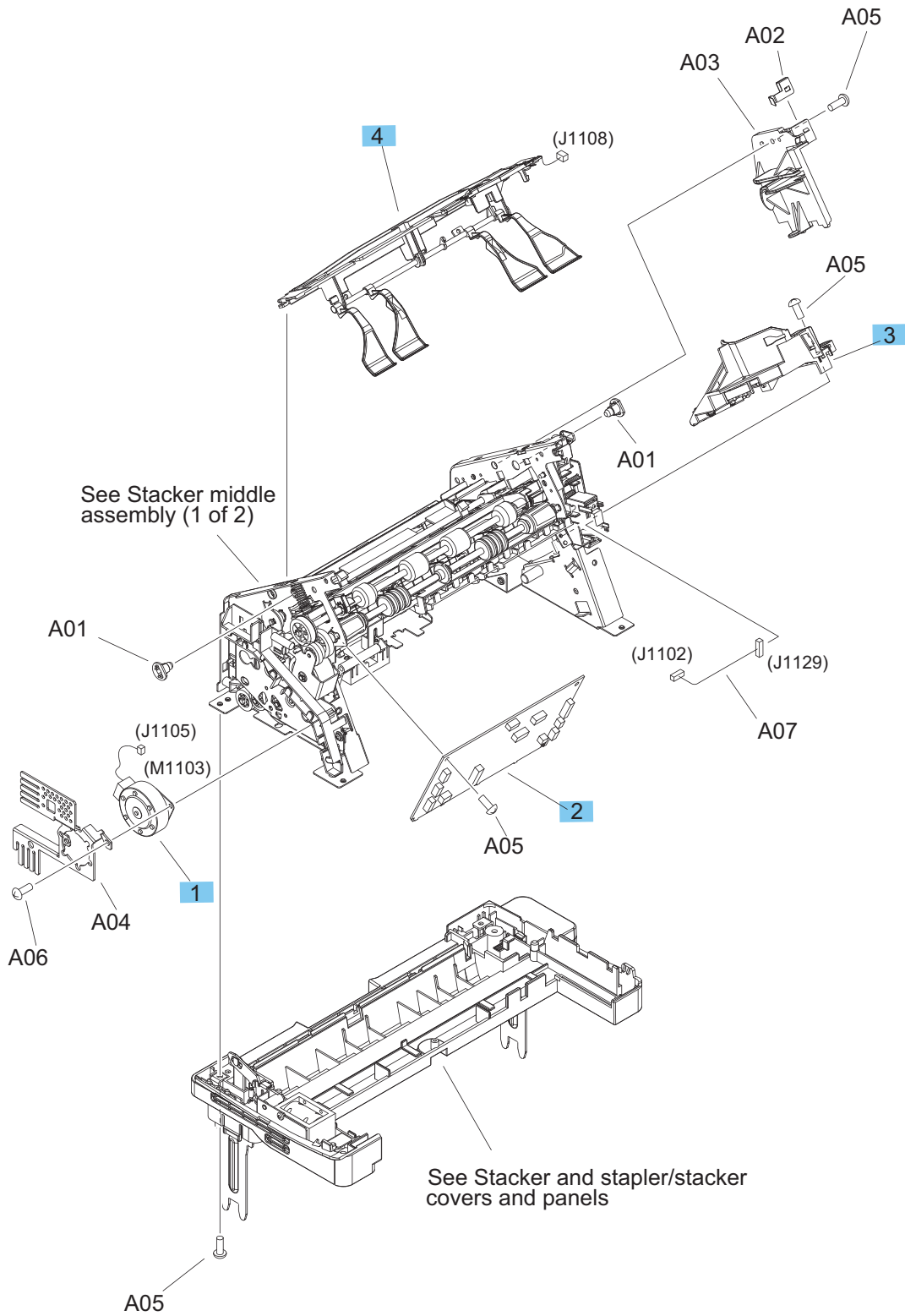


Table 2-24 Stacker main body

Ref	Description	Part number	Qty
1	Motor, stepping, DC24V(stacker)	RK2-2025-000CN	1
2	PCA, driver (stacker)	RM2-7650-000CN	1
3	Stapler mount assembly (stacker)	RM1-4676-000CN	1
4	Paper full sensor assembly (stacker)	RM1-1166-000CN	1

Stapler/stacker middle assembly (1 of 2)

Figure 2-23 Stapler/stacker middle assembly (1 of 2)

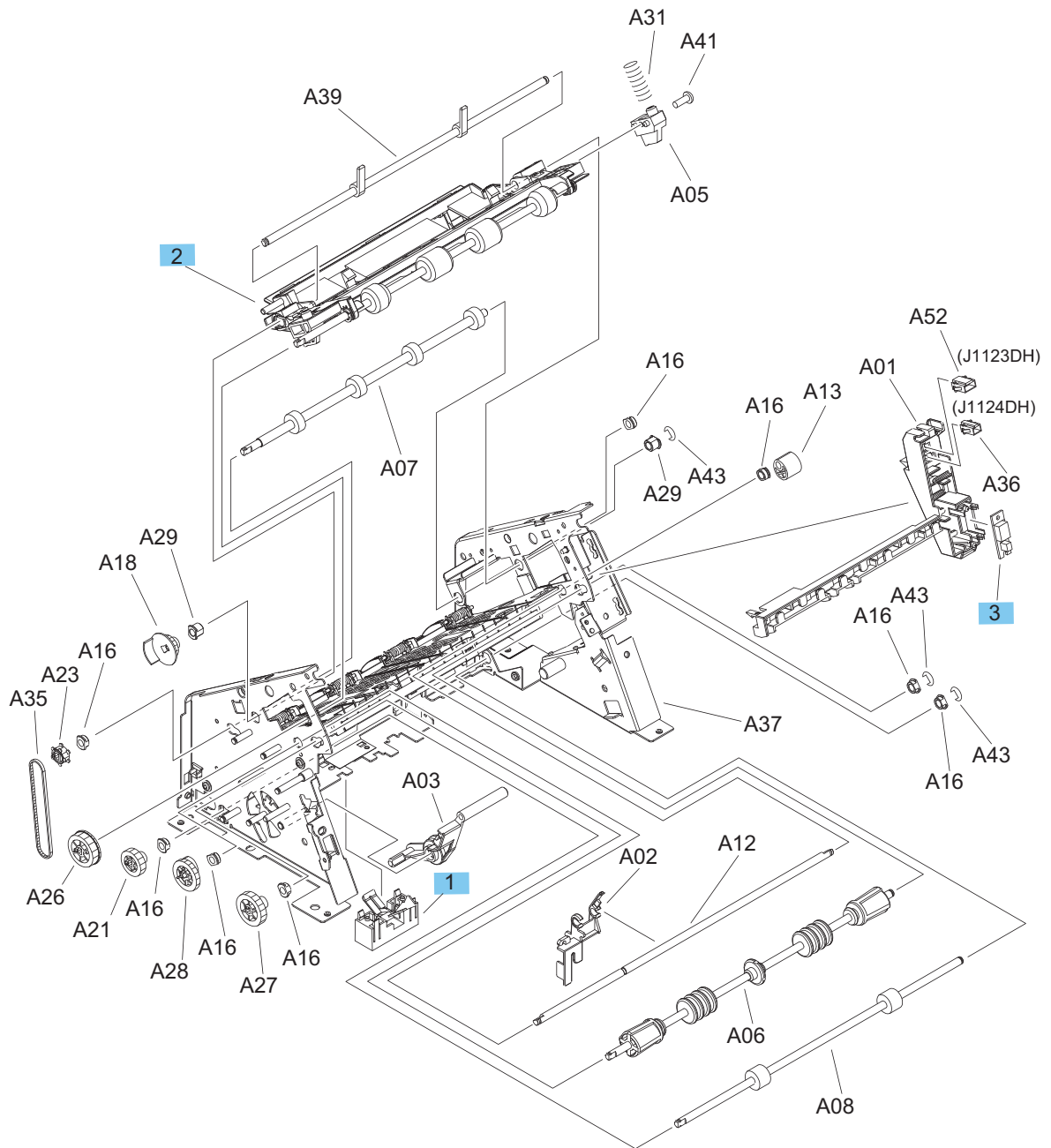


Table 2-25 Stapler/stacker middle assembly (1 of 2)

Ref	Description	Part number	Qty
1	Paper sensing flag assembly (stapler/stacker)	RM1-0239-000CN	1
2	Paper upper guide assembly (stapler/stacker)	RM1-0246-030CN	1
3	PCA, LED (stapler/stacker)	RG1-4266-030CN	1

Stapler/stacker middle assembly (2 of 2)

Figure 2-24 Stapler/stacker middle assembly (2 of 2)

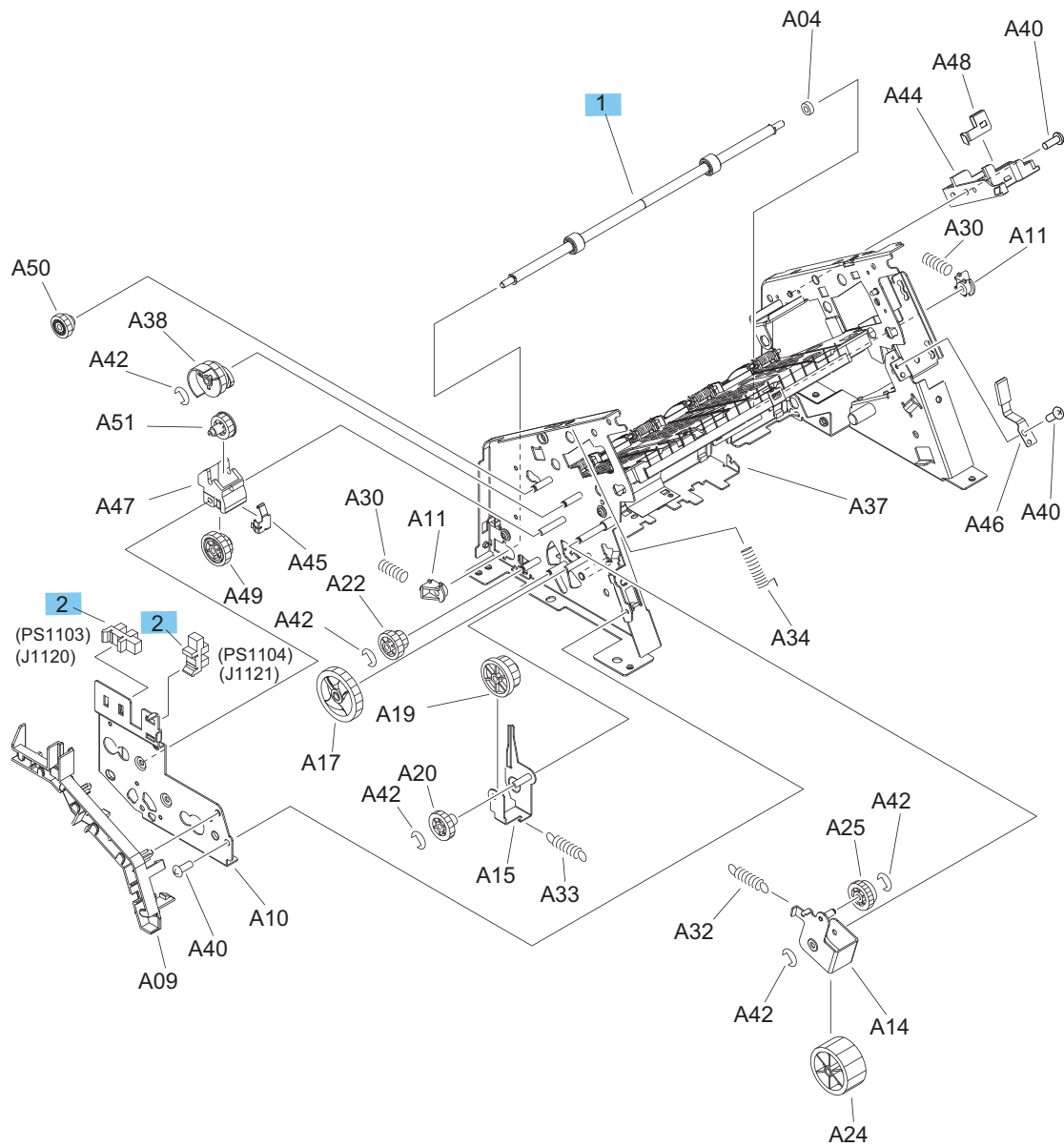


Table 2-26 Stapler/stacker middle assembly (2 of 2)

Ref	Description	Part number	Qty
1	Paper feed roller assembly (stapler/stacker)	RM1-0253-020CN	1
2	Photo interrupter(stapler/stacker)	WG8-5645-000CN	2

Stacker middle assembly (1 of 2)

Figure 2-25 Stacker middle assembly (1 of 2)

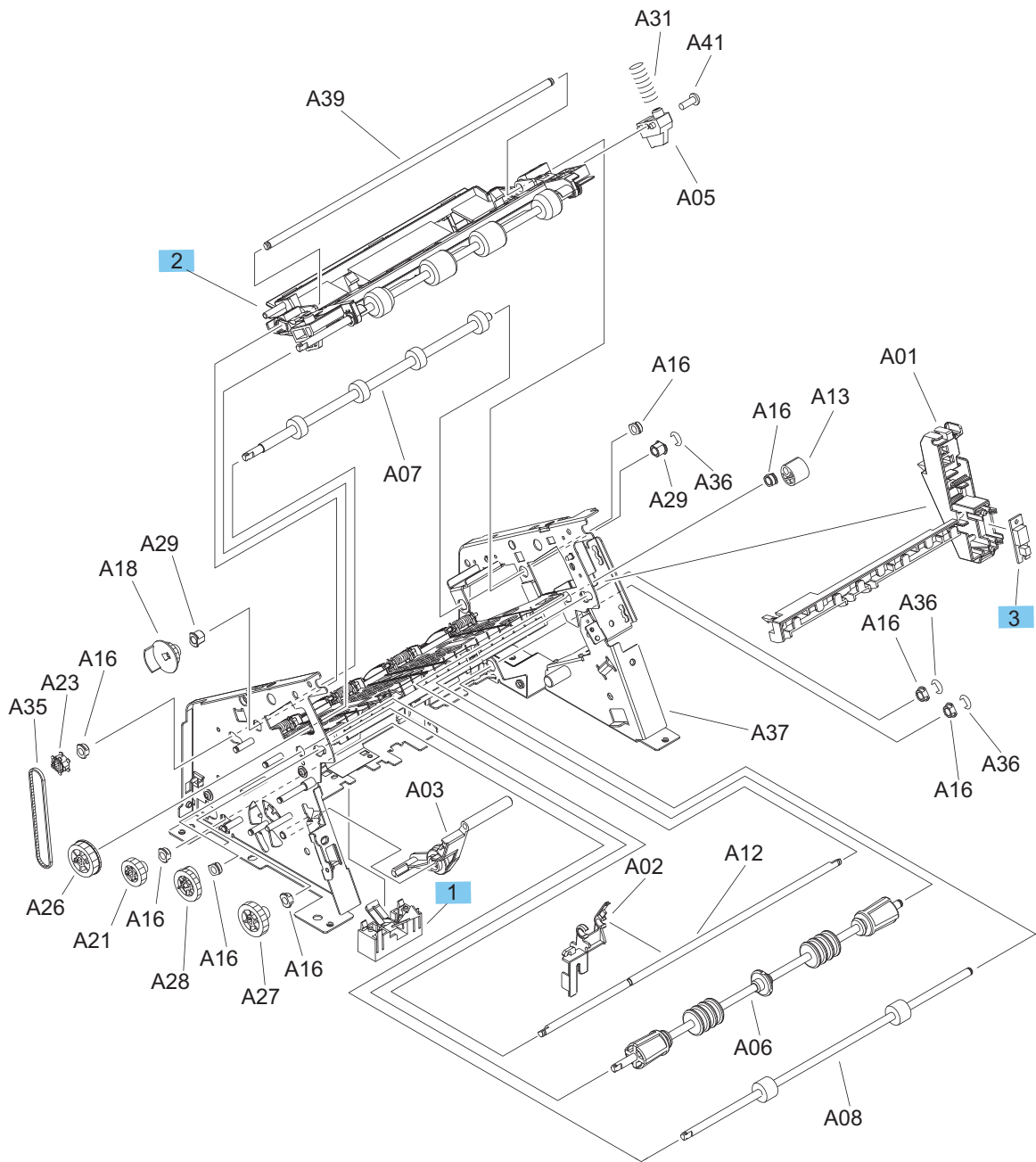


Table 2-27 Stacker middle assembly (1 of 2)

Ref	Description	Part number	Qty
1	Paper sensing flag assembly (stacker)	RM1-0239-000CN	1
2	Paper upper guide assembly (stacker)	RM1-0246-030CN	1
3	PCA, LED (stacker)	RG1-4266-030CN	1

Stacker middle assembly (2 of 2)

Figure 2-26 Stacker middle assembly (2 of 2)

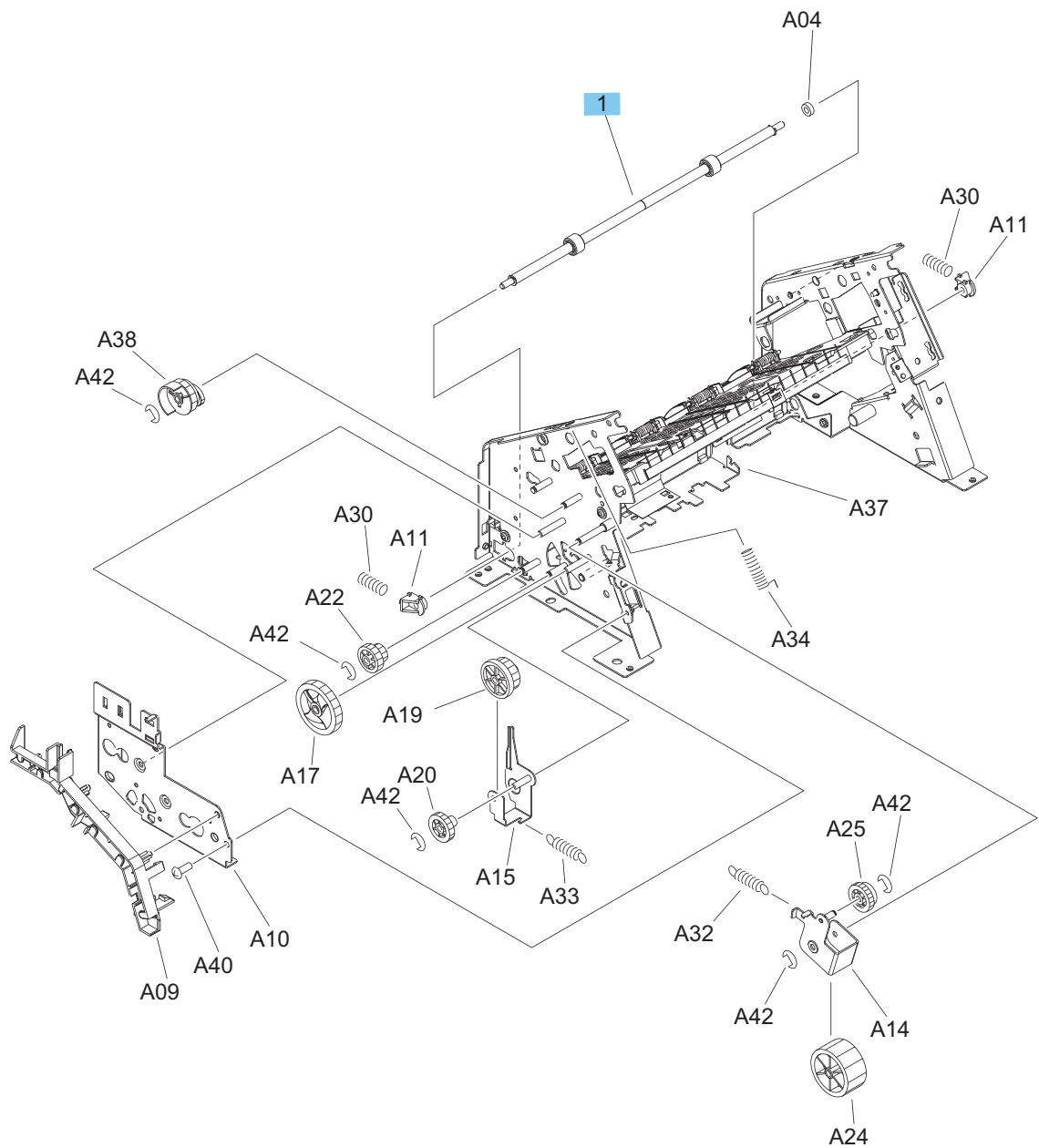


Table 2-28 Stacker middle assembly (2 of 2)

Ref	Description	Part number	Qty
1	Paper feed roller assembly (stacker)	RM1-0253-020CN	1

Alphabetical parts list

Table 2-29 Alphabetical parts list

Description	Part number	Table and page
Bin assembly (5-bin mailbox)	RM2-6248-000CN	5-bin mailbox main body (1 of 2) on page 1615
Bin flapper assembly (5-bin mailbox)	RM1-4666-000CN	5-bin mailbox main body (1 of 2) on page 1615
Bin solenoid assembly (5-bin mailbox)	RM1-5266-000CN	5-bin mailbox main body (1 of 2) on page 1615
Bushing	RC3-1403-000CN	Internal components (2 of 3) on page 1585
Bushing	RC1-0214-000CN	Internal components (2 of 3) on page 1585
Cable guide assembly (5-bin mailbox)	RM2-6244-000CN	5-bin mailbox main body (2 of 2) on page 1617
Cable, door switch	RM1-8344-000CN	Internal components (3 of 3) on page 1587
Cable, feed motor	RM1-8311-000CN	Internal components (2 of 3) on page 1585
Cable, flexible flat	RK2-6768-000CN	Internal components (3 of 3) on page 1587
Cable, fuser (fixing) motor	RM1-5088-000CN	Internal components (3 of 3) on page 1587
Cable, HIP	RK2-6761-000CN	Internal components (3 of 3) on page 1587
Cable, inlet	RM1-8348-000CN	Power supply assembly on page 1589
Cable, interface (envelope feeder)	RM1-9032-000CN	Envelope feeder covers and panels on page 1595
Cable, laser	RM1-8340-000CN	Internal components (2 of 3) on page 1585
Cassette (500-sheet feeder)	RM2-6275-000CN	500-sheet feeder covers on page 1603
Cassette (Tray 2 only)	RM2-6296-000CN	Internal components (1 of 3) on page 1583
NOTE: If replacing the tray for the 500-sheet feeder, order part number RM2-6275-000CN.		
Center bin flapper assembly (5-bin mailbox)	RM1-4667-000CN	5-bin mailbox main body (1 of 2) on page 1615
Connector, 8P (5-bin mailbox)	VS1-7500-008CN	5-bin mailbox covers and panels on page 1613
Connector, 8P (stacker and stapler/stacker)	VS1-7500-008CN	Stacker and stapler/stacker covers and panels on page 1619
Connector, drawer 6P	VS1-7514-006CN	Power supply assembly on page 1589

Table 2-29 Alphabetical parts list (continued)

Description	Part number	Table and page
Connector, drawer, 6P	VS1-7500-006CN	Internal components (2 of 3) on page 1585
Connector, drawer, 6P (1,500-sheet feeder)	VS1-7500-006CN	1,500-sheet feeder main body (1 of 2) on page 1607
Connector, drawer, 6P (500-sheet feeder)	VS1-7500-006CN	500-sheet feeder covers on page 1603
Connector, drawer, 6P (500-sheet feeder)	VS1-7500-006CN	500-sheet feeder covers on page 1603
Control panel (M604n, M604dn, M605n, M605dn, and M606dn)	RM2-7682-000CN	Covers on page 1581
Control panel (M605x and M606x)	E6B67-67914	Covers on page 1581
Cover, duplexing	RM2-6310-000CN	Covers on page 1581
Cover, envelope	RL1-1667-000CN	Internal components (1 of 3) on page 1583
Cover, formatter	RC4-5802-000CN	Covers on page 1581
Cover, front (5-bin mailbox)	RC4-6204-000CN	5-bin mailbox covers and panels on page 1613
Cover, front (500-sheet feeder)	RC4-5894-000CN	500-sheet feeder covers on page 1601
Cover, front (M604) ¹	E6B67-67927	Covers on page 1581
Cover, front (M605) ¹	E6B69-67901	Covers on page 1581
Cover, front (M606) ¹	E6B72-67901	Covers on page 1581
Cover, front (stacker and stapler/stacker)	RL2-1334-000CN	Stacker and stapler/stacker covers and panels on page 1619
Cover, front right (500-sheet feeder)	RC4-5897-000CN	500-sheet feeder covers on page 1601
Cover, HIP	RC4-5803-000CN	Covers on page 1581
Cover, left	RM2-6312-000CN	Covers on page 1581
Cover, left (1,500-sheet feeder)	RC4-5980-000CN	1,500-sheet feeder covers and panels on page 1605
Cover, left (5-bin mailbox)	RM2-6241-000CN	5-bin mailbox covers and panels on page 1613
Cover, left (500-sheet feeder)	RC4-5895-000CN	500-sheet feeder covers on page 1601
Cover, left (duplexer)	RC4-5905-000CN	Duplexer on page 1593
Cover, left (stacker and stapler/stacker)	RC4-6158-000CN	Stacker and stapler/stacker covers and panels on page 1619
Cover, legal	RC4-5872-000CN	Covers on page 1581
Cover, legal (500-sheet feeder)	RC4-5872-000CN	500-sheet feeder covers on page 1601

Table 2-29 Alphabetical parts list (continued)

Description	Part number	Table and page
Cover, lock (1,500-sheet feeder)	RC4-5900-000CN	1,500-sheet feeder covers and panels on page 1605
Cover, lock (500-sheet feeder)	RC4-5900-000CN	500-sheet feeder covers on page 1601
Cover, lower (envelope feeder)	RC4-6890-000CN	Envelope feeder covers and panels on page 1595
Cover, output accessory	RL2-1404-000CN	Covers on page 1581
Cover, rear (1,500-sheet feeder)	RC4-5989-000CN	1,500-sheet feeder covers and panels on page 1605
Cover, rear (500-sheet feeder)	RC4-5902-000CN	500-sheet feeder covers on page 1601
Cover, rear (duplexer)	RC4-5904-000CN	Duplexer on page 1593
Cover, rear (stacker and stapler/stacker)	RM2-6201-000CN	Stacker and stapler/stacker covers and panels on page 1619
Cover, right	RM2-6311-000CN	Covers on page 1581
Cover, right (1,500-sheet feeder)	RC4-5981-000CN	1,500-sheet feeder covers and panels on page 1605
Cover, right (5-bin mailbox)	RM2-6242-000CN	5-bin mailbox covers and panels on page 1613
Cover, right (500-sheet feeder)	RC4-5896-000CN	500-sheet feeder covers on page 1601
Cover, right (duplexer)	RC4-5903-000CN	Duplexer on page 1593
Cover, right front	RC4-5837-000CN	Covers on page 1581
Cover, right front (stacker and stapler/stacker)	RM2-6200-000CN	Stacker and stapler/stacker covers and panels on page 1619
Cover, right rear	RC4-5804-000CN	Covers on page 1581
Cover, right rear (stacker)	RC4-6181-000CN	Stacker and stapler/stacker covers and panels on page 1619
Cover, right rear (stapler/stacker)	RC4-6161-000CN	Stacker and stapler/stacker covers and panels on page 1619
Cover, top (5-bin mailbox)	RL2-1349-000CN	5-bin mailbox covers and panels on page 1613
Cover, top (M604n and M604dn)	RM2-6919-000CN	Covers on page 1581
Cover, top (M605n, M605dn, and M606dn)	RM2-6307-000CN	Covers on page 1581
Cover, top (M605x and M606x)	RM2-6306-000CN	Covers on page 1581
Cover, top (stacker)	RC4-6180-000CN	Stacker and stapler/stacker covers and panels on page 1619
Cover, top (stapler/stacker)	RC4-6162-000CN	Stacker and stapler/stacker covers and panels on page 1619
Cover, upper (duplexer)	RC4-5906-000CN	Duplexer on page 1593

Table 2-29 Alphabetical parts list (continued)

Description	Part number	Table and page
Deflector, paper re-pickup (duplexer)	RC4-5907-000CN	Duplexer on page 1593
Door, front (1,500-sheet feeder)	RM2-6037-000CN	1,500-sheet feeder covers and panels on page 1605
Door, rear (5-bin mailbox)	RM2-6243-000CN	5-bin mailbox covers and panels on page 1613
Drive assembly (5-bin mailbox)	RM1-5267-000CN	5-bin mailbox main body (2 of 2) on page 1617
Drum drive assembly	RM2-6920-000CN	Internal components (1 of 3) on page 1583
Drum motor assembly	RM1-8358-000CN	Internal components (1 of 3) on page 1583
Easy-access USB	RM2-6328-000CN	Internal components (3 of 3) on page 1587
Environmental sensor assembly	RM1-8438-000CN	Internal components (3 of 3) on page 1587
Face-up tray assembly	RM2-6298-000CN	Covers on page 1581
Fan (duplexer)	RK2-2016-000CN	Duplexer on page 1593
Fan (FN101)	RK2-1988-000CN	Internal components (3 of 3) on page 1587
Fan (FN102)	RK2-1989-000CN	Internal components (3 of 3) on page 1587
Fan (FN103)	RK2-3244-000CN	Internal components (3 of 3) on page 1587
Fan (FN104)	RK2-1992-000CN	Internal components (3 of 3) on page 1587
Feeder sensor cable assembly	RM2-7687-000CN	Internal components (2 of 3) on page 1585
Fuser (fixing) motor assembly	RM1-8928-000CN	Internal components (3 of 3) on page 1587
Fuser drive assembly	RM2-6231-000CN	Internal components (3 of 3) on page 1587
Fuser kit (110V)	E6B67-67901	Internal components (3 of 3) on page 1587
Fuser kit (220V)	E6B67-67902	Internal components (3 of 3) on page 1587
Gear 23T/19T	RU7-0295-000CN	Internal components (3 of 3) on page 1587
Gear, 18T	RU5-0088-000CN	Internal components (2 of 3) on page 1585
Gear, 23T	RU5-0040-000CN	Internal components (2 of 3) on page 1585
Guide, paper re-pickup, lower (duplexer)	RC2-2599-000CN	Duplexer on page 1593

Table 2-29 Alphabetical parts list (continued)

Description	Part number	Table and page
Guide, paper re-pickup, upper (duplexer)	RC2-2602-000CN	Duplexer on page 1593
Guide, width limit, right (envelope feeder)	RC4-6107-000CN	Envelope feeder covers and panels on page 1595
IC, photo interrupter	WG8-5849-000CN	Internal components (3 of 3) on page 1587
IC, photo interrupter (1,500-sheet feeder)	WG8-5849-000CN	1,500-sheet feeder paper pickup assembly on page 1611
IC, photo interrupter (envelope feeder)	WG8-5624-000CN	Envelope feeder internal components (1 of 2) on page 1597
Jog assembly (stapler/stacker)	RM2-6198-000CN	Stapler/stacker main body on page 1621
Joint shaft assembly (envelope feeder)	RM1-5222-000CN	Envelope feeder internal components (2 of 2) on page 1599
Joint, left (5-bin mailbox)	RL1-1703-000CN	5-bin mailbox covers and panels on page 1613
Joint, left (stacker and stapler/stacker)	RL1-1703-000CN	Stacker and stapler/stacker covers and panels on page 1619
Joint, right (5-bin mailbox)	RL1-1704-000CN	5-bin mailbox covers and panels on page 1613
Joint, right (stacker and stapler/stacker)	RL1-1704-000CN	Stacker and stapler/stacker covers and panels on page 1619
Laser scanner assembly	RM1-8406-000CN	Internal components (2 of 3) on page 1585
Lever, IN flapper link (5-bin mailbox)	RL1-2232-000CN	5-bin mailbox covers and panels on page 1613
Lever, IN flapper link (stacker and stapler/stacker)	RL1-2232-000CN	Stacker and stapler/stacker covers and panels on page 1619
Lifter drive assembly	RM2-6335-000CN	Internal components (3 of 3) on page 1587
Lifter drive assembly (1,500-sheet feeder)	RM2-6044-000CN	1,500-sheet feeder main body (1 of 2) on page 1607
Lifter drive assembly (500-sheet feeder)	RM2-6278-000CN	500-sheet feeder covers on page 1603
Locking bushing, paper delivery	RC1-0136-000CN	Internal components (3 of 3) on page 1587
Motor, stepping (1,500-sheet feeder)	RH7-1603-020CN	1,500-sheet feeder main body (1 of 2) on page 1607
Motor, stepping, DC24V (duplexer)	RK2-7885-000CN	Duplexer on page 1593
Motor, stepping, DC24V (duplexer)	RK2-2139-000CN	Duplexer on page 1593

Table 2-29 Alphabetical parts list (continued)

Description	Part number	Table and page
Motor, stepping, DC24V (envelope feeder)	RK2-2162-000CN	Envelope feeder internal components (2 of 2) on page 1599
Motor, stepping, DC24V (stapler/stacker)	RK2-2025-000CN	Stapler/stacker main body on page 1621
Motor, stepping, DC24V (stapler/stacker)	RK2-2027-000CN	Stapler/stacker main body on page 1621
Motor, stepping, DC24V(stacker)	RK2-2025-000CN	Stacker main body on page 1623
Multi-purpose (Tray 1) pickup assembly	RM2-6323-000CN	Internal components (1 of 3) on page 1583
Near field communication (NFC) PCA, embedded	B5L24-60002	Internal components (1 of 3) on page 1583
Paper delivery assembly	RM2-6319-000CN	Internal components (3 of 3) on page 1587
Paper delivery drive assembly	RM2-6318-000CN	Internal components (3 of 3) on page 1587
Paper detect sensor assembly (1,500-sheet feeder)	RM2-6042-000CN	1,500-sheet feeder paper pickup assembly on page 1611
Paper feed assembly	RM1-4548-000CN	Power supply assembly on page 1589
Paper feed motor assembly	RM1-8285-000CN	Internal components (2 of 3) on page 1585
Paper feed roller assembly	RM1-8411-010CN	Internal components (1 of 3) on page 1583
Paper feed roller assembly (stacker)	RM1-0253-020CN	Stacker middle assembly (2 of 2) on page 1631
Paper feed roller assembly (stapler/stacker)	RM1-0253-020CN	Stapler/stacker middle assembly (2 of 2) on page 1627
Paper feed shaft assembly	RM1-8424-000CN	Internal components (2 of 3) on page 1585
Paper full sensor assembly (stacker)	RM1-1166-000CN	Stacker main body on page 1623
Paper full sensor assembly (stapler/stacker)	RM1-1166-000CN	Stapler/stacker main body on page 1621
Paper pickup drive assembly	RM1-8415-000CN	Internal components (2 of 3) on page 1585
Paper pickup drive assembly (1,500-sheet feeder)	RM2-6045-000CN	1,500-sheet feeder main body (1 of 2) on page 1607
Paper sensing flag assembly (stacker)	RM1-0239-000CN	Stacker middle assembly (1 of 2) on page 1629
Paper sensing flag assembly (stapler/stacker)	RM1-0239-000CN	Stapler/stacker middle assembly (1 of 2) on page 1625
Paper sensing flag assembly(5-bin mailbox)	RM1-5269-000CN	5-bin mailbox main body (1 of 2) on page 1615

Table 2-29 Alphabetical parts list (continued)

Description	Part number	Table and page
Paper side end assembly (envelope feeder)	RM2-6171-000CN	Envelope feeder covers and panels on page 1595
Paper size detect assembly (1,500-sheet feeder)	RM1-5261-000CN	1,500-sheet feeder main body (2 of 2) on page 1609
Paper upper guide assembly (stacker)	RM1-0246-030CN	Stacker middle assembly (1 of 2) on page 1629
Paper upper guide assembly (stapler/stacker)	RM1-0246-030CN	Stapler/stacker middle assembly (1 of 2) on page 1625
PCA (5-bin mailbox)	RM2-7648-000CN	5-bin mailbox main body (2 of 2) on page 1617
PCA (500-sheet feeder)	RM2-7646-000CN	500-sheet feeder covers on page 1603
PCA (duplexer)	RM2-7656-000CN	Duplexer on page 1593
PCA, DC controller	RM2-7643-000CN	Internal components (3 of 3) on page 1587
PCA, driver (stacker)	RM2-7650-000CN	Stacker main body on page 1623
PCA, driver (stapler/stacker)	RM2-7649-000CN	Stapler/stacker main body on page 1621
PCA, envelope controller (envelope feeder)	RM2-8651-000CN	Envelope feeder internal components (2 of 2) on page 1599
PCA, formatter	E6B69-60001	Internal components (1 of 3) on page 1583
PCA, LED (stacker)	RG1-4266-030CN	Stacker middle assembly (1 of 2) on page 1629
PCA, LED (stapler/stacker)	RG1-4266-030CN	Stapler/stacker middle assembly (1 of 2) on page 1625
PCA, memory (island of data)	RM2-7645-000CN	Internal components (3 of 3) on page 1587
PCA, paper deck (1,500-sheet feeder)	RM2-7647-000CN	1,500-sheet feeder main body (1 of 2) on page 1607
PCA, switch	RM2-6327-000CN	Covers on page 1581
Photo interrupter (duplexer)	WG8-5849-000CN	Duplexer on page 1593
Photo interrupter(stapler/stacker)	WG8-5645-000CN	Stapler/stacker middle assembly (2 of 2) on page 1627
Pickup drive side plate assembly (500-sheet feeder)	RM1-8441-000CN	500-sheet feeder covers on page 1603
Power supply assembly (110V)	RM2-6301-000CN	Power supply assembly on page 1589
Power supply assembly (220V)	RM2-6349-000CN	Power supply assembly on page 1589
Registration assembly	RM1-8413-000CN	Internal components (1 of 3) on page 1583

Table 2-29 Alphabetical parts list (continued)

Description	Part number	Table and page
Ring, E	XD9-0233-010CN	Internal components (2 of 3) on page 1585
Ring, E	XD9-0232-010CN	Internal components (2 of 3) on page 1585
Roller, paper feed (1,500-sheet feeder; part of Tray 2-6 roller kit)	E6B67-67905	1,500-sheet feeder covers and panels on page 1605
Roller, paper feed (1,500-sheet feeder; part of Tray 2-6 roller kit)	E6B67-67905	1,500-sheet feeder paper pickup assembly on page 1611
Roller, paper feed (500-sheet feeder; part of Tray 2-6 roller kit)	E6B67-67905	500-sheet feeder covers on page 1603
Roller, paper feed (envelope feeder)	RC2-5701-000CN	Envelope feeder internal components (1 of 2) on page 1597
Roller, paper feed (part of Tray 1 roller kit)	E6B67-67906	Multi-purpose (Tray 1) pickup assembly on page 1591
Roller, paper feed (part of Tray 2-6 roller kit)	E6B67-67905	Internal components (1 of 3) on page 1583
Roller, paper feed (part of Tray 2-6 roller kit)	E6B67-67905	Internal components (2 of 3) on page 1585
Roller, paper feed assembly (envelope feeder)	RM1-5223-000CN	Envelope feeder internal components (1 of 2) on page 1597
Roller, paper pickup (1,500-sheet feeder; part of Tray 2-6 roller kit)	E6B67-67905	1,500-sheet feeder paper pickup assembly on page 1611
Roller, paper pickup (500-sheet feeder; part of Tray 2-6 roller kit)	E6B67-67905	500-sheet feeder covers on page 1603
Roller, paper pickup (envelope feeder)	RC2-5700-000CN	Envelope feeder internal components (1 of 2) on page 1597
Roller, paper pickup (part of Tray 1 roller kit)	E6B67-67906	Multi-purpose (Tray 1) pickup assembly on page 1591
Roller, paper pickup (part of Tray 2-6 roller kit)	E6B67-67905	Internal components (2 of 3) on page 1585
Roller, paper pickup assembly (envelope feeder)	RM1-5221-000CN	Envelope feeder internal components (1 of 2) on page 1597
Roller, separation (envelope feeder)	RM1-5224-000CN	Envelope feeder internal components (1 of 2) on page 1597
Roller, separation (part of Tray 1 roller kit)	E6B67-67906	Multi-purpose (Tray 1) pickup assembly on page 1591
Sensor assembly (5-bin mailbox)	RM1-5096-000CN	5-bin mailbox main body (2 of 2) on page 1617
Shaft, retard drive	RL1-3020-000CN	Internal components (2 of 3) on page 1585

Table 2-29 Alphabetical parts list (continued)

Description	Part number	Table and page
Size detect assembly	RM1-4525-000CN	Internal components (1 of 3) on page 1583
Size detect assembly (500-sheet feeder)	RM1-4525-000CN	500-sheet feeder covers on page 1603
Solenoid	RL2-1409-000CN	Internal components (2 of 3) on page 1585
Solenoid (5-bin mailbox)	RL1-1709-000CN	5-bin mailbox main body (1 of 2) on page 1615
Solenoid (500-sheet feeder)	RL2-1410-000CN	500-sheet feeder covers on page 1603
Solenoid assembly, IN (5-bin mailbox)	RM1-5270-000CN	5-bin mailbox covers and panels on page 1613
Solenoid assembly, IN (stacker and stapler/stacker)	RM1-5270-000CN	Stacker and stapler/stacker covers and panels on page 1619
Solenoid(stapler/stacker)	RL1-0506-000CN	Stapler/stacker main body on page 1621
Spring, compression	RC1-0213-000CN	Internal components (2 of 3) on page 1585
Stapler assembly (stapler/stacker)	RM2-6202-000CN	Stapler/stacker main body on page 1621
Stapler mount assembly (stacker)	RM1-4676-000CN	Stacker main body on page 1623
Stapler mount assembly (stapler/stacker)	RM1-4827-000CN	Stapler/stacker main body on page 1621
Switch button assembly	RM2-6333-000CN	Covers on page 1581
Switch, push	WC2-5637-000CN	Internal components (3 of 3) on page 1587
Switch, push (1,500-sheet feeder)	WC2-5806-000CN	1,500-sheet feeder main body (1 of 2) on page 1607
Tag holder assembly	RM1-4539-000CN	Internal components (2 of 3) on page 1585
Top bin flapper assembly (5-bin mailbox)	RM1-4665-000CN	5-bin mailbox main body (1 of 2) on page 1615
Top plate front assembly (500-sheet feeder)	RM2-6280-000CN	500-sheet feeder covers on page 1603
Torque limiter kit	E6B67-67926	Internal components (1 of 3) on page 1583
Torque limiter kit (500-sheet feeder)	E6B67-67926	500-sheet feeder covers on page 1603
Torque limiter kit(1,500-sheet feeder)	E6B67-67926	1,500-sheet feeder covers and panels on page 1605
Transfer roller kit	E6B67-67904	Internal components (1 of 3) on page 1583

Table 2-29 Alphabetical parts list (continued)

Description	Part number	Table and page
Tray assembly (stacker and stapler/stacker)	RM2-6199-000CN	Stacker and stapler/stacker covers and panels on page 1619
Tray, extension (envelope feeder)	RC4-6891-000CN	Envelope feeder covers and panels on page 1595
Weight assembly (envelope feeder)	RM2-6728-000CN	Envelope feeder covers and panels on page 1595
Wireless PCA, embedded	1150-7968	Internal components (1 of 3) on page 1583

Numerical parts list

Table 2-30 Numerical parts list

Part number	Description	Table and page
1150-7968	Wireless PCA, embedded	Internal components (1 of 3) on page 1583
B5L24-60002	Near field communication (NFC) PCA, embedded	Internal components (1 of 3) on page 1583
E6B67-67901	Fuser kit (110V)	Internal components (3 of 3) on page 1587
E6B67-67902	Fuser kit (220V)	Internal components (3 of 3) on page 1587
E6B67-67904	Transfer roller kit	Internal components (1 of 3) on page 1583
E6B67-67905	Roller, paper feed (part of Tray 2-6 roller kit)	Internal components (1 of 3) on page 1583
E6B67-67905	Roller, paper pickup (part of Tray 2-6 roller kit)	Internal components (2 of 3) on page 1585
E6B67-67905	Roller, paper feed (part of Tray 2-6 roller kit)	Internal components (2 of 3) on page 1585
E6B67-67905	Roller, paper feed (500-sheet feeder; part of Tray 2-6 roller kit)	500-sheet feeder covers on page 1603
E6B67-67905	Roller, paper pickup (500-sheet feeder; part of Tray 2-6 roller kit)	500-sheet feeder covers on page 1603
E6B67-67905	Roller, paper feed (1,500-sheet feeder; part of Tray 2-6 roller kit)	1,500-sheet feeder covers and panels on page 1605
E6B67-67905	Roller, paper feed (1,500-sheet feeder; part of Tray 2-6 roller kit)	1,500-sheet feeder paper pickup assembly on page 1611
E6B67-67905	Roller, paper pickup (1,500-sheet feeder; part of Tray 2-6 roller kit)	1,500-sheet feeder paper pickup assembly on page 1611
E6B67-67906	Roller, paper pickup (part of Tray 1 roller kit)	Multi-purpose (Tray 1) pickup assembly on page 1591
E6B67-67906	Roller, paper feed (part of Tray 1 roller kit)	Multi-purpose (Tray 1) pickup assembly on page 1591
E6B67-67906	Roller, separation (part of Tray 1 roller kit)	Multi-purpose (Tray 1) pickup assembly on page 1591
E6B67-67914	Control panel (M605x and M606x)	Covers on page 1581
E6B67-67926	Torque limiter kit	Internal components (1 of 3) on page 1583
E6B67-67926	Torque limiter kit (500-sheet feeder)	500-sheet feeder covers on page 1603
E6B67-67926	Torque limiter kit(1,500-sheet feeder)	1,500-sheet feeder covers and panels on page 1605
E6B67-67927	Cover, front (M604) ¹	Covers on page 1581

Table 2-30 Numerical parts list (continued)

Part number	Description	Table and page
E6B69-60001	PCA, formatter	Internal components (1 of 3) on page 1583
E6B69-67901	Cover, front (M605) ¹	Covers on page 1581
E6B72-67901	Cover, front (M606) ¹	Covers on page 1581
RC1-0136-000CN	Locking bushing, paper delivery	Internal components (3 of 3) on page 1587
RC1-0213-000CN	Spring, compression	Internal components (2 of 3) on page 1585
RC1-0214-000CN	Bushing	Internal components (2 of 3) on page 1585
RC2-2599-000CN	Guide, paper re-pickup, lower (duplexer)	Duplexer on page 1593
RC2-2602-000CN	Guide, paper re-pickup, upper (duplexer)	Duplexer on page 1593
RC2-5700-000CN	Roller, paper pickup (envelope feeder)	Envelope feeder internal components (1 of 2) on page 1597
RC2-5701-000CN	Roller, paper feed (envelope feeder)	Envelope feeder internal components (1 of 2) on page 1597
RC3-1403-000CN	Bushing	Internal components (2 of 3) on page 1585
RC4-5802-000CN	Cover, formatter	Covers on page 1581
RC4-5803-000CN	Cover, HIP	Covers on page 1581
RC4-5804-000CN	Cover, right rear	Covers on page 1581
RC4-5837-000CN	Cover, right front	Covers on page 1581
RC4-5872-000CN	Cover, legal	Covers on page 1581
RC4-5872-000CN	Cover, legal (500-sheet feeder)	500-sheet feeder covers on page 1601
RC4-5894-000CN	Cover, front (500-sheet feeder)	500-sheet feeder covers on page 1601
RC4-5895-000CN	Cover, left (500-sheet feeder)	500-sheet feeder covers on page 1601
RC4-5896-000CN	Cover, right (500-sheet feeder)	500-sheet feeder covers on page 1601
RC4-5897-000CN	Cover, front right (500-sheet feeder)	500-sheet feeder covers on page 1601
RC4-5900-000CN	Cover, lock (500-sheet feeder)	500-sheet feeder covers on page 1601
RC4-5900-000CN	Cover, lock (1,500-sheet feeder)	1,500-sheet feeder covers and panels on page 1605
RC4-5902-000CN	Cover, rear (500-sheet feeder)	500-sheet feeder covers on page 1601

Table 2-30 Numerical parts list (continued)

Part number	Description	Table and page
RC4-5903-000CN	Cover, right (duplexer)	Duplexer on page 1593
RC4-5904-000CN	Cover, rear (duplexer)	Duplexer on page 1593
RC4-5905-000CN	Cover, left (duplexer)	Duplexer on page 1593
RC4-5906-000CN	Cover, upper (duplexer)	Duplexer on page 1593
RC4-5907-000CN	Deflector, paper re-pickup (duplexer)	Duplexer on page 1593
RC4-5980-000CN	Cover, left (1,500-sheet feeder)	1,500-sheet feeder covers and panels on page 1605
RC4-5981-000CN	Cover, right (1,500-sheet feeder)	1,500-sheet feeder covers and panels on page 1605
RC4-5989-000CN	Cover, rear (1,500-sheet feeder)	1,500-sheet feeder covers and panels on page 1605
RC4-6107-000CN	Guide, width limit, right (envelope feeder)	Envelope feeder covers and panels on page 1595
RC4-6158-000CN	Cover, left (stacker and stapler/stacker)	Stacker and stapler/stacker covers and panels on page 1619
RC4-6161-000CN	Cover, right rear (stapler/stacker)	Stacker and stapler/stacker covers and panels on page 1619
RC4-6162-000CN	Cover, top (stapler/stacker)	Stacker and stapler/stacker covers and panels on page 1619
RC4-6180-000CN	Cover, top (stacker)	Stacker and stapler/stacker covers and panels on page 1619
RC4-6181-000CN	Cover, right rear (stacker)	Stacker and stapler/stacker covers and panels on page 1619
RC4-6204-000CN	Cover, front (5-bin mailbox)	5-bin mailbox covers and panels on page 1613
RC4-6890-000CN	Cover, lower (envelope feeder)	Envelope feeder covers and panels on page 1595
RC4-6891-000CN	Tray, extension (envelope feeder)	Envelope feeder covers and panels on page 1595
RG1-4266-030CN	PCA, LED (stapler/stacker)	Stapler/stacker middle assembly (1 of 2) on page 1625
RG1-4266-030CN	PCA, LED (stacker)	Stacker middle assembly (1 of 2) on page 1629
RH7-1603-020CN	Motor, stepping (1,500-sheet feeder)	1,500-sheet feeder main body (1 of 2) on page 1607
RK2-1988-000CN	Fan (FN101)	Internal components (3 of 3) on page 1587
RK2-1989-000CN	Fan (FN102)	Internal components (3 of 3) on page 1587
RK2-1992-000CN	Fan (FN104)	Internal components (3 of 3) on page 1587
RK2-2016-000CN	Fan (duplexer)	Duplexer on page 1593

Table 2-30 Numerical parts list (continued)

Part number	Description	Table and page
RK2-2025-000CN	Motor, stepping, DC24V (stapler/stacker)	Stapler/stacker main body on page 1621
RK2-2025-000CN	Motor, stepping, DC24V(stacker)	Stacker main body on page 1623
RK2-2027-000CN	Motor, stepping, DC24V (stapler/stacker)	Stapler/stacker main body on page 1621
RK2-2139-000CN	Motor, stepping, DC24V (duplexer)	Duplexer on page 1593
RK2-2162-000CN	Motor, stepping, DC24V (envelope feeder)	Envelope feeder internal components (2 of 2) on page 1599
RK2-3244-000CN	Fan (FN103)	Internal components (3 of 3) on page 1587
RK2-6761-000CN	Cable, HIP	Internal components (3 of 3) on page 1587
RK2-6768-000CN	Cable, flexible flat	Internal components (3 of 3) on page 1587
RK2-7885-000CN	Motor, stepping, DC24V (duplexer)	Duplexer on page 1593
RL1-0506-000CN	Solenoid(stapler/stacker)	Stapler/stacker main body on page 1621
RL1-1667-000CN	Cover, envelope	Internal components (1 of 3) on page 1583
RL1-1703-000CN	Joint, left (5-bin mailbox)	5-bin mailbox covers and panels on page 1613
RL1-1703-000CN	Joint, left (stacker and stapler/stacker)	Stacker and stapler/stacker covers and panels on page 1619
RL1-1704-000CN	Joint, right (5-bin mailbox)	5-bin mailbox covers and panels on page 1613
RL1-1704-000CN	Joint, right (stacker and stapler/stacker)	Stacker and stapler/stacker covers and panels on page 1619
RL1-1709-000CN	Solenoid (5-bin mailbox)	5-bin mailbox main body (1 of 2) on page 1615
RL1-2232-000CN	Lever, IN flapper link (5-bin mailbox)	5-bin mailbox covers and panels on page 1613
RL1-2232-000CN	Lever, IN flapper link (stacker and stapler/stacker)	Stacker and stapler/stacker covers and panels on page 1619
RL1-3020-000CN	Shaft, retard drive	Internal components (2 of 3) on page 1585
RL2-1334-000CN	Cover, front (stacker and stapler/stacker)	Stacker and stapler/stacker covers and panels on page 1619
RL2-1349-000CN	Cover, top (5-bin mailbox)	5-bin mailbox covers and panels on page 1613
RL2-1404-000CN	Cover, output accessory	Covers on page 1581
RL2-1409-000CN	Solenoid	Internal components (2 of 3) on page 1585

Table 2-30 Numerical parts list (continued)

Part number	Description	Table and page
RL2-1410-000CN	Solenoid (500-sheet feeder)	500-sheet feeder covers on page 1603
RM1-0239-000CN	Paper sensing flag assembly (stapler/stacker)	Stapler/stacker middle assembly (1 of 2) on page 1625
RM1-0239-000CN	Paper sensing flag assembly (stacker)	Stacker middle assembly (1 of 2) on page 1629
RM1-0246-030CN	Paper upper guide assembly (stapler/stacker)	Stapler/stacker middle assembly (1 of 2) on page 1625
RM1-0246-030CN	Paper upper guide assembly (stacker)	Stacker middle assembly (1 of 2) on page 1629
RM1-0253-020CN	Paper feed roller assembly (stapler/stacker)	Stapler/stacker middle assembly (2 of 2) on page 1627
RM1-0253-020CN	Paper feed roller assembly (stacker)	Stacker middle assembly (2 of 2) on page 1631
RM1-1166-000CN	Paper full sensor assembly (stapler/stacker)	Stapler/stacker main body on page 1621
RM1-1166-000CN	Paper full sensor assembly (stacker)	Stacker main body on page 1623
RM1-4525-000CN	Size detect assembly	Internal components (1 of 3) on page 1583
RM1-4525-000CN	Size detect assembly (500-sheet feeder)	500-sheet feeder covers on page 1603
RM1-4539-000CN	Tag holder assembly	Internal components (2 of 3) on page 1585
RM1-4548-000CN	Paper feed assembly	Power supply assembly on page 1589
RM1-4665-000CN	Top bin flapper assembly (5-bin mailbox)	5-bin mailbox main body (1 of 2) on page 1615
RM1-4666-000CN	Bin flapper assembly (5-bin mailbox)	5-bin mailbox main body (1 of 2) on page 1615
RM1-4667-000CN	Center bin flapper assembly (5-bin mailbox)	5-bin mailbox main body (1 of 2) on page 1615
RM1-4676-000CN	Stapler mount assembly (stacker)	Stacker main body on page 1623
RM1-4827-000CN	Stapler mount assembly (stapler/stacker)	Stapler/stacker main body on page 1621
RM1-5088-000CN	Cable, fuser (fixing) motor	Internal components (3 of 3) on page 1587
RM1-5096-000CN	Sensor assembly (5-bin mailbox)	5-bin mailbox main body (2 of 2) on page 1617
RM1-5221-000CN	Roller, paper pickup assembly (envelope feeder)	Envelope feeder internal components (1 of 2) on page 1597

Table 2-30 Numerical parts list (continued)

Part number	Description	Table and page
RM1-5222-000CN	Joint shaft assembly (envelope feeder)	Envelope feeder internal components (2 of 2) on page 1599
RM1-5223-000CN	Roller, paper feed assembly (envelope feeder)	Envelope feeder internal components (1 of 2) on page 1597
RM1-5224-000CN	Roller, separation (envelope feeder)	Envelope feeder internal components (1 of 2) on page 1597
RM1-5261-000CN	Paper size detect assembly (1,500-sheet feeder)	1,500-sheet feeder main body (2 of 2) on page 1609
RM1-5266-000CN	Bin solenoid assembly (5-bin mailbox)	5-bin mailbox main body (1 of 2) on page 1615
RM1-5267-000CN	Drive assembly (5-bin mailbox)	5-bin mailbox main body (2 of 2) on page 1617
RM1-5269-000CN	Paper sensing flag assembly(5-bin mailbox)	5-bin mailbox main body (1 of 2) on page 1615
RM1-5270-000CN	Solenoid assembly, IN (5-bin mailbox)	5-bin mailbox covers and panels on page 1613
RM1-5270-000CN	Solenoid assembly, IN (stacker and stapler/stacker)	Stacker and stapler/stacker covers and panels on page 1619
RM1-8285-000CN	Paper feed motor assembly	Internal components (2 of 3) on page 1585
RM1-8311-000CN	Cable, feed motor	Internal components (2 of 3) on page 1585
RM1-8340-000CN	Cable, laser	Internal components (2 of 3) on page 1585
RM1-8344-000CN	Cable, door switch	Internal components (3 of 3) on page 1587
RM1-8348-000CN	Cable, inlet	Power supply assembly on page 1589
RM1-8358-000CN	Drum motor assembly	Internal components (1 of 3) on page 1583
RM1-8406-000CN	Laser scanner assembly	Internal components (2 of 3) on page 1585
RM1-8411-010CN	Paper feed roller assembly	Internal components (1 of 3) on page 1583
RM1-8413-000CN	Registration assembly	Internal components (1 of 3) on page 1583
RM1-8415-000CN	Paper pickup drive assembly	Internal components (2 of 3) on page 1585
RM1-8424-000CN	Paper feed shaft assembly	Internal components (2 of 3) on page 1585

Table 2-30 Numerical parts list (continued)

Part number	Description	Table and page
RM1-8438-000CN	Environmental sensor assembly	Internal components (3 of 3) on page 1587
RM1-8441-000CN	Pickup drive side plate assembly (500-sheet feeder)	500-sheet feeder covers on page 1603
RM1-8928-000CN	Fuser (fixing) motor assembly	Internal components (3 of 3) on page 1587
RM1-9032-000CN	Cable, interface (envelope feeder)	Envelope feeder covers and panels on page 1595
RM2-6037-000CN	Door, front (1,500-sheet feeder)	1,500-sheet feeder covers and panels on page 1605
RM2-6042-000CN	Paper detect sensor assembly (1,500-sheet feeder)	1,500-sheet feeder paper pickup assembly on page 1611
RM2-6044-000CN	Lifter drive assembly (1,500-sheet feeder)	1,500-sheet feeder main body (1 of 2) on page 1607
RM2-6045-000CN	Paper pickup drive assembly (1,500-sheet feeder)	1,500-sheet feeder main body (1 of 2) on page 1607
RM2-6171-000CN	Paper side end assembly (envelope feeder)	Envelope feeder covers and panels on page 1595
RM2-6198-000CN	Jog assembly (stapler/stacker)	Stapler/stacker main body on page 1621
RM2-6199-000CN	Tray assembly (stacker and stapler/stacker)	Stacker and stapler/stacker covers and panels on page 1619
RM2-6200-000CN	Cover, right front (stacker and stapler/stacker)	Stacker and stapler/stacker covers and panels on page 1619
RM2-6201-000CN	Cover, rear (stacker and stapler/stacker)	Stacker and stapler/stacker covers and panels on page 1619
RM2-6202-000CN	Stapler assembly (stapler/stacker)	Stapler/stacker main body on page 1621
RM2-6231-000CN	Fuser drive assembly	Internal components (3 of 3) on page 1587
RM2-6241-000CN	Cover, left (5-bin mailbox)	5-bin mailbox covers and panels on page 1613
RM2-6242-000CN	Cover, right (5-bin mailbox)	5-bin mailbox covers and panels on page 1613
RM2-6243-000CN	Door, rear (5-bin mailbox)	5-bin mailbox covers and panels on page 1613
RM2-6244-000CN	Cable guide assembly (5-bin mailbox)	5-bin mailbox main body (2 of 2) on page 1617
RM2-6248-000CN	Bin assembly (5-bin mailbox)	5-bin mailbox main body (1 of 2) on page 1615
RM2-6275-000CN	Cassette (500-sheet feeder)	500-sheet feeder covers on page 1603

Table 2-30 Numerical parts list (continued)

Part number	Description	Table and page
RM2-6278-000CN	Lifter drive assembly (500-sheet feeder)	500-sheet feeder covers on page 1603
RM2-6280-000CN	Top plate front assembly (500-sheet feeder)	500-sheet feeder covers on page 1603
RM2-6296-000CN	Cassette (Tray 2 only) NOTE: If replacing the tray for the 500-sheet feeder, order part number RM2-6275-000CN.	Internal components (1 of 3) on page 1583
RM2-6298-000CN	Face-up tray assembly	Covers on page 1581
RM2-6301-000CN	Power supply assembly (110V)	Power supply assembly on page 1589
RM2-6306-000CN	Cover, top (M605x and M606x)	Covers on page 1581
RM2-6307-000CN	Cover, top (M605n, M605dn, and M606dn)	Covers on page 1581
RM2-6310-000CN	Cover, duplexing	Covers on page 1581
RM2-6311-000CN	Cover, right	Covers on page 1581
RM2-6312-000CN	Cover, left	Covers on page 1581
RM2-6318-000CN	Paper delivery drive assembly	Internal components (3 of 3) on page 1587
RM2-6319-000CN	Paper delivery assembly	Internal components (3 of 3) on page 1587
RM2-6323-000CN	Multi-purpose (Tray 1) pickup assembly	Internal components (1 of 3) on page 1583
RM2-6327-000CN	PCA, switch	Covers on page 1581
RM2-6328-000CN	Easy-access USB	Internal components (3 of 3) on page 1587
RM2-6333-000CN	Switch button assembly	Covers on page 1581
RM2-6335-000CN	Lifter drive assembly	Internal components (3 of 3) on page 1587
RM2-6349-000CN	Power supply assembly (220V)	Power supply assembly on page 1589
RM2-6728-000CN	Weight assembly (envelope feeder)	Envelope feeder covers and panels on page 1595
RM2-6919-000CN	Cover, top (M604n and M604dn)	Covers on page 1581
RM2-6920-000CN	Drum drive assembly	Internal components (1 of 3) on page 1583
RM2-7643-000CN	PCA, DC controller	Internal components (3 of 3) on page 1587
RM2-7645-000CN	PCA, memory (island of data)	Internal components (3 of 3) on page 1587
RM2-7646-000CN	PCA (500-sheet feeder)	500-sheet feeder covers on page 1603

Table 2-30 Numerical parts list (continued)

Part number	Description	Table and page
RM2-7647-000CN	PCA, paper deck (1,500-sheet feeder)	1,500-sheet feeder main body (1 of 2) on page 1607
RM2-7648-000CN	PCA (5-bin mailbox)	5-bin mailbox main body (2 of 2) on page 1617
RM2-7649-000CN	PCA, driver (stapler/stacker)	Stapler/stacker main body on page 1621
RM2-7650-000CN	PCA, driver (stacker)	Stacker main body on page 1623
RM2-7656-000CN	PCA (duplexer)	Duplexer on page 1593
RM2-7682-000CN	Control panel (M604n, M604dn, M605n, M605dn, and M606dn)	Covers on page 1581
RM2-7687-000CN	Feeder sensor cable assembly	Internal components (2 of 3) on page 1585
RM2-8651-000CN	PCA, envelope controller (envelope feeder)	Envelope feeder internal components (2 of 2) on page 1599
RU5-0040-000CN	Gear, 23T	Internal components (2 of 3) on page 1585
RU5-0088-000CN	Gear, 18T	Internal components (2 of 3) on page 1585
RU7-0295-000CN	Gear 23T/19T	Internal components (3 of 3) on page 1587
VS1-7500-006CN	Connector, drawer, 6P	Internal components (2 of 3) on page 1585
VS1-7500-006CN	Connector, drawer, 6P (500-sheet feeder)	500-sheet feeder covers on page 1603
VS1-7500-006CN	Connector, drawer, 6P (500-sheet feeder)	500-sheet feeder covers on page 1603
VS1-7500-006CN	Connector, drawer, 6P (1,500-sheet feeder)	1,500-sheet feeder main body (1 of 2) on page 1607
VS1-7500-008CN	Connector, 8P (5-bin mailbox)	5-bin mailbox covers and panels on page 1613
VS1-7500-008CN	Connector, 8P (stacker and stapler/stacker)	Stacker and stapler/stacker covers and panels on page 1619
VS1-7514-006CN	Connector, drawer 6P	Power supply assembly on page 1589
WC2-5637-000CN	Switch, push	Internal components (3 of 3) on page 1587
WC2-5806-000CN	Switch, push (1,500-sheet feeder)	1,500-sheet feeder main body (1 of 2) on page 1607
WG8-5624-000CN	IC, photo interrupter (envelope feeder)	Envelope feeder internal components (1 of 2) on page 1597
WG8-5645-000CN	Photo interrupter(stapler/stacker)	Stapler/stacker middle assembly (2 of 2) on page 1627

Table 2-30 Numerical parts list (continued)

Part number	Description	Table and page
WG8-5849-000CN	IC, photo interrupter	Internal components (3 of 3) on page 1587
WG8-5849-000CN	Photo interrupter (duplexer)	Duplexer on page 1593
WG8-5849-000CN	IC, photo interrupter (1,500-sheet feeder)	1,500-sheet feeder paper pickup assembly on page 1611
XD9-0232-010CN	Ring, E	Internal components (2 of 3) on page 1585
XD9-0233-010CN	Ring, E	Internal components (2 of 3) on page 1585