
4 Parts and diagrams

- [Order parts, accessories, and supplies](#)
- [Part numbers](#)
- [Screws](#)
- [How to use the parts lists and diagrams](#)
- [Covers](#)
- [Right-door assembly](#)
- [Internal assemblies](#)
- [Assessories](#)
- [Alphabetical parts list](#)
- [Numerical parts list](#)

Order parts, accessories, and supplies

You can obtain the following items directly from HP:

- **Replacement parts:** To order replacement parts in the U.S., go to www.hp.com/go/hpparts/. Outside the United States, order parts by contacting your local authorized HP service center.
- **Supplies and accessories:** To order supplies in the U.S., go to www.hp.com/go/ljsupplies. To order supplies worldwide, go to www.hp.com/ghp/buyonline.html. To order accessories, go to www.hp.com/support/lj500colorM551.

Part numbers

The following list of accessories was current at the time of printing. Ordering information and availability of the accessories might change during the life of the product.

Accessories

Product name	Product number	Part number
1 x 500-sheet paper feeder	CF084A	CF084-67901

Print cartridges and toner collection unit

Product name	Cartridge number	Part number (service)
HP Color LaserJet standard black print cartridge	507A	CE400-67901
HP Color LaserJet high capacity black print cartridge	507X	CE400-67902
HP Color LaserJet cyan print cartridge	507A	CE401A-67901
HP Color LaserJet yellow print cartridge	507A	CE402-67901
HP Color LaserJet magenta print cartridge	507A	CE403-67901
Toner collection unit (TCU)	CE254A	RM1-4989-000CN

Memory

Product name	Part number
Memory replacement kit (n and dn models only)	CF081-67902
<ul style="list-style-type: none">4GB SSMRetainerInstallation instructions	
Hard drive replacement kit (n and xh model)	CF083-67901
<ul style="list-style-type: none">250GB HDDBracketInstallation instructions	

Customer self repair (CSR) and service kits

Product name	Part number
Front-door assembly and name plate	CF081-67901
<ul style="list-style-type: none">• Front-door assembly• HP Jewel• Name plate• Installation instructions	
1 x 500-sheet paper feeder right door kit	CC468-67906
<ul style="list-style-type: none">• Right-door assembly• Right-door stopper• Right-door link• Installation instructions	
Toner collection unit (TCU) kit	CC468-67910
<ul style="list-style-type: none">• Toner collection unit• Installation instructions	
Pick/feed and separation roller kit (Tray 1/2)	CF081-67903
<ul style="list-style-type: none">• Separation roller assembly (tray/cassette)• Pickup roller assembly (tray/cassette)• Pickup roller (MP tray)• Installation instructions	
Pick/feed and separation roller kit (Tray 3)	CF081-67913
<ul style="list-style-type: none">• Paper feed assembly (tray/cassette)• Pickup roller assembly (tray/cassette)• Pickup roller (MP tray)• Installation instructions	
ITB kit	CF081-67904
<ul style="list-style-type: none">• Intermediate transfer belt (ITB)• Secondary transfer roller assembly• Installation instructions	

Product name	Part number
Service fuser kit	CF081-67905 (110 V)
<ul style="list-style-type: none"> Fuser assembly (110 V or 220 V) Installation instructions 	CF081-67906 (220 V)
CAUTION: Make sure that you order the correct kit for the rated voltage of your product.	
Duplex reverse guide kit	CC468-67913
<ul style="list-style-type: none"> Duplex reverse guide Installation instructions 	
Secondary transfer (T2) roller kit	CF081-67907
<ul style="list-style-type: none"> Secondary transfer roller Installation instructions 	
Secondary transfer assembly kit	CF081-67908 (simplex)
<ul style="list-style-type: none"> Secondary transfer assembly (simplex or duplex) Installation instructions 	CF081-67909 (duplex)
NOTE: Make sure that you order the correct kit for your product model (simplex or duplex).	
Laser scanner assembly kit	CC468-67917
<ul style="list-style-type: none"> Laser/scanner assembly Installation instructions 	
Main drive assembly kit	CF081-67910
<ul style="list-style-type: none"> Main drive assembly Installation instructions 	
Formatter assembly kit (exchange)	CF081-69001
<ul style="list-style-type: none"> Formatter PCA Formatter tray Screw (2) Installation instructions 	
Formatter assembly kit (China only)	CF081-67912
<ul style="list-style-type: none"> Formatter PCA Formatter tray Screw (2) Installation instructions 	
HDD Replacement Kit (U.S. government only)	CF083-67902

Screws


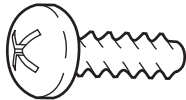
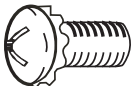
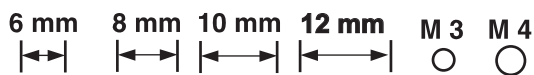
 **NOTE:** The screw illustrations in the following table are for reference only. Screws might vary in size and appearance from those shown in this table.


Table 4-1 Common fasteners


Example	Description	Size	Part Number
	Screw, tapping, truss head	M4X10	XB4-7401-005CN
	Screw, D	M3X8	XA9-1671-000CN



How to use the parts lists and diagrams

The figures in this chapter show the major subassemblies in the product and their component parts. A parts list table follows each exploded view assembly diagram. Each table lists the item number, the associated part number, and the description of each part. If a part is not listed in the table, then it is not a field replacement unit (FRU).

 **CAUTION:** Be sure to order the correct part. When looking for part numbers for electrical components, pay careful attention to the voltage that is listed in the description column. Doing so will ensure that the part number selected is for the correct all-in-one model.

 **NOTE:** In this manual, the abbreviation “PCA” stands for “printed circuit-board assembly.” Components described as a PCA might consist of a single circuit board or a circuit board plus other parts, such as cables and sensors.

Covers

Figure 4-1 External covers, panels, and doors

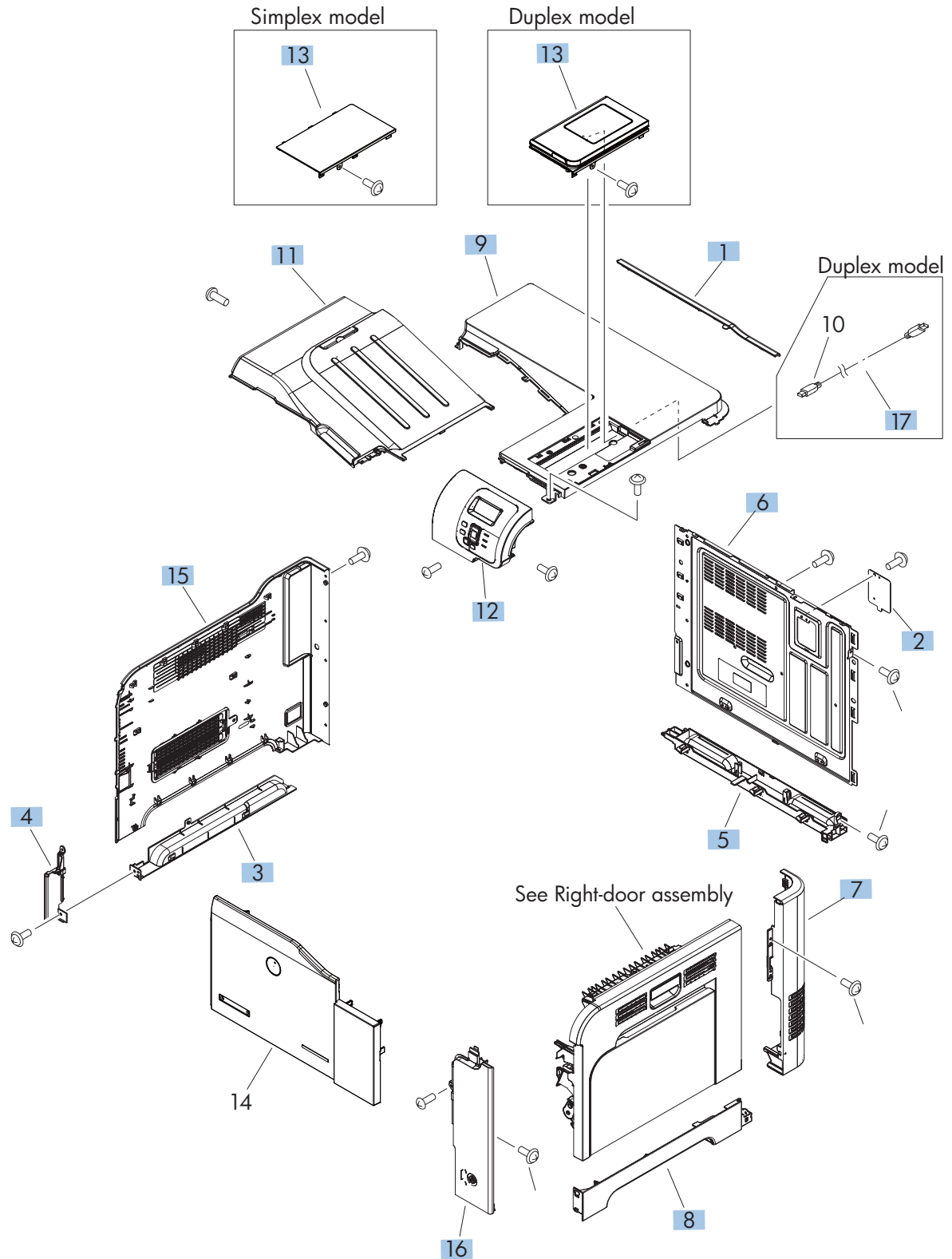


Table 4-2 External covers, panels, and doors

Ref	Description	Part number	Qty
1	Cover, rear upper	RC2-5058-000CN	1
2	Plate, blanking	RC2-5938-000CN	1
3	Cover, left lower	RC3-1112-000CN	1
4	Cover, left front	RC3-1113-000CN	1
5	Cover, rear lower	RC3-1114-000CN	1
6	Cover, rear	RC3-1115-000CN	1
7	Cover, right rear	RC3-1116-000CN	1
8	Cover, right lower	RC3-1117-000CN	1
9	Cover, upper	RC3-1118-000CN	1
11	Tray, paper delivery	RL1-1941-030CN	1
12	Operation (control) panel assembly	RM1-8096-000CN	1
13	Cover, USB (simplex)	RC3-1093-000CN	1
13	Cover, USB (duplex)	RM1-8173-000CN	1
15	Cover, left assembly	RM1-8159-000CN	1
16	Cover, right-front assembly	RM1-8165-000CN	1

Right-door assembly

Figure 4-2 Right-door assembly

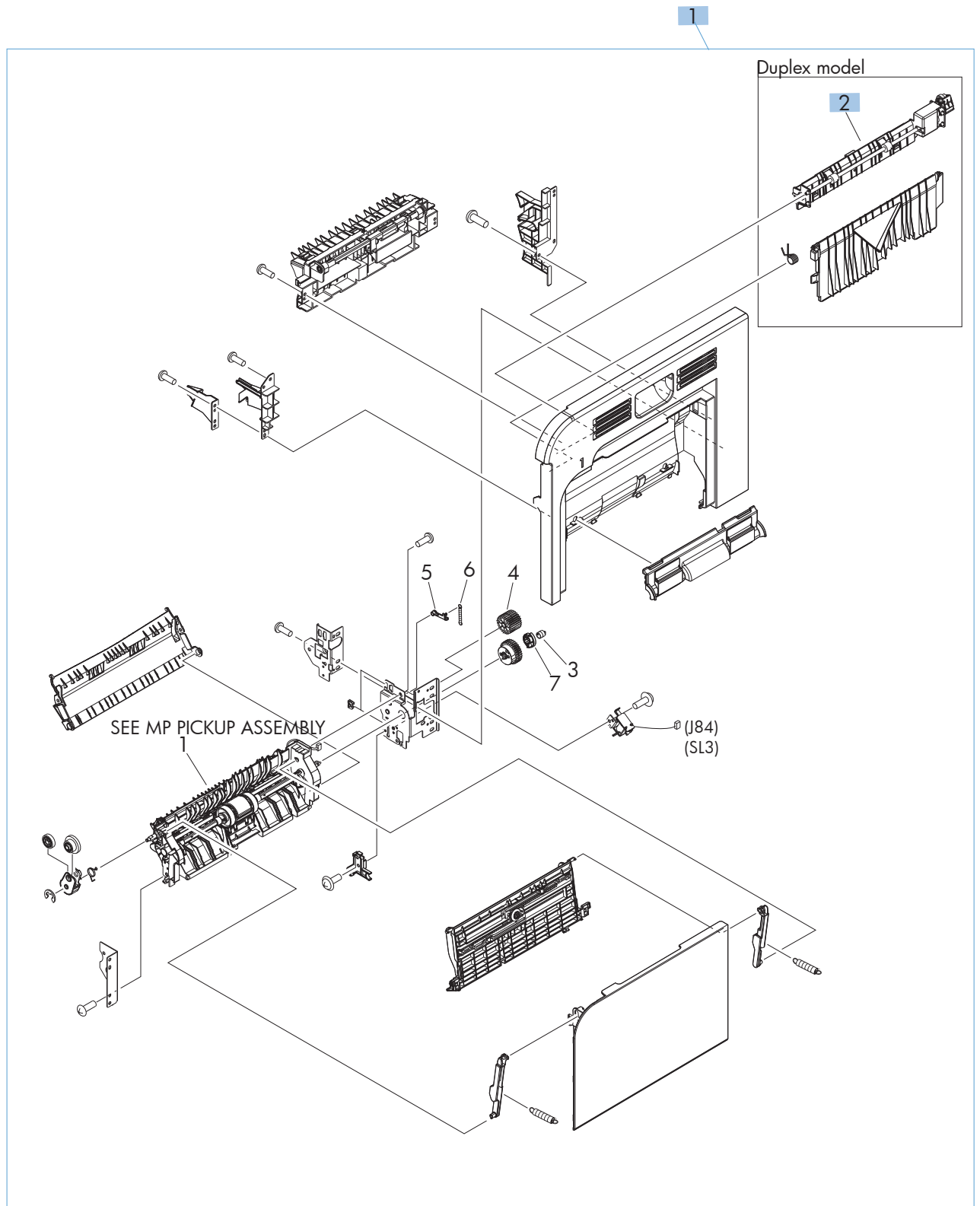


Table 4-3 Right-door assembly

Ref	Description	Part number	Qty
1	Right-door assembly (simplex)	RM1-8167-000CN	1
1	Right-door assembly (duplex)	RM1-8123-000CN	1
2	Duplexing paper feed assembly	RM1-4959-000CN	2

Internal assemblies

Internal assemblies (1 of 5)

Figure 4-3 Internal assemblies (1 of 5)

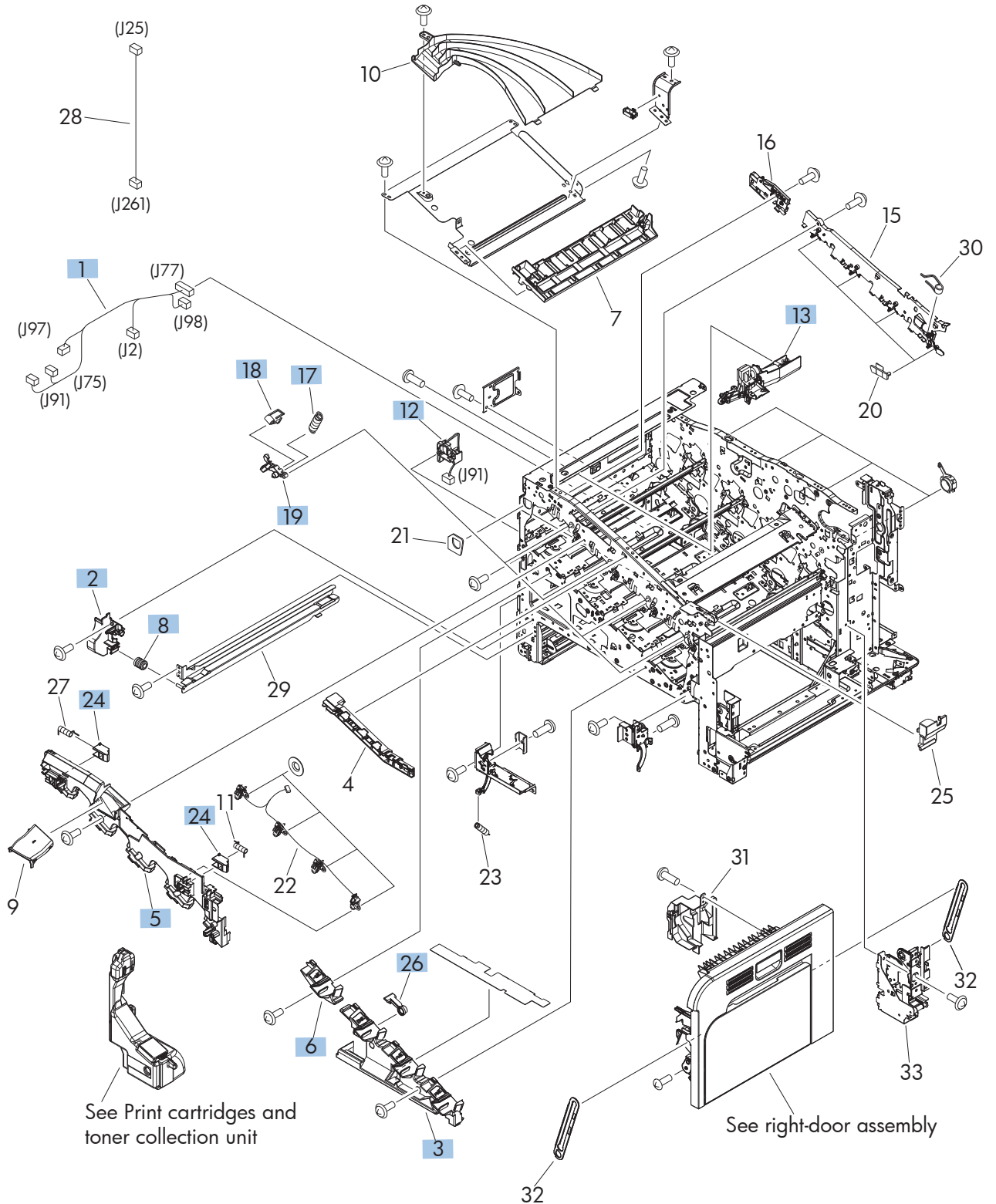


Table 4-4 Internal assemblies (1 of 5)

Ref	Description	Part number	Qty
1	Left cable assembly	RM1-5742-000CN	1
2	Holder, CST positioning	RC3-1231-000CN	1
3	Cover, front inner lower unit (CMK)	RL1-1914-020CN	1
5	Cover, front inner, upper	RC3-1070-000CN	1
6	Cover, front inner lower (Y)	RL1-1915-000CN	1
8	Roller, rail	RC2-4831-000CN	1
12	Waste toner detect assembly	RM1-5696-000CN	1
13	Waste toner duct assembly	RM1-8138-000CN	1
17	Spring, tension	RU7-2192-000CN	4
18	Spring, ground	RU6-2237-000CN	4
19	Lever, cartridge pressure front	RC2-3983-030CN	4
24	Lock, door	RC2-5937-000CN	2
26	Lever, box presence detect	RC2-5951-000CN	1

Internal assemblies (2 of 5)

Figure 4-4 Internal assemblies (2 of 5)

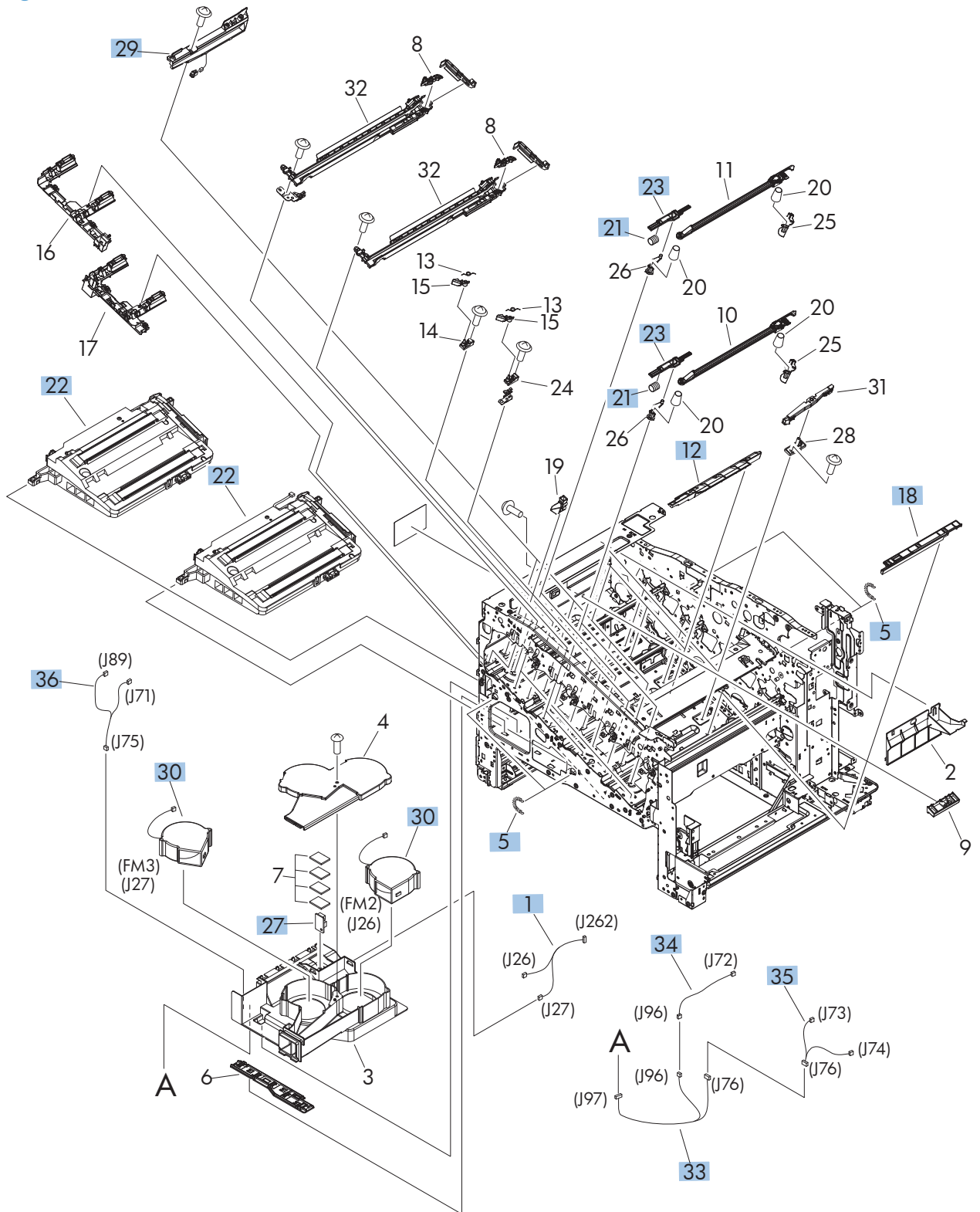


Table 4-5 Internal assemblies (2 of 5)

Ref	Description	Part number	Qty
1	Fan cable assembly	RM1-5746-000CN	1
5	Spring, tension	RU6-2436-000CN	2
12	Cover	RC2-5912-000CN	3
18	Cover	RC2-5962-000CN	1
21	Spring, compression	RU6-2316-000CN	2
23	Lever, shutter	RC2-4415-000CN	2
27	Temperature sensor assembly	RK2-3267-000CN	1
29	Toner sensor holder assembly	RM1-5700-000CN	4
30	Fan (FM2, FM3)	RK2-2418-000CN	2
33	Connecting cable assembly	RM1-5749-000CN	1
34	Sensor cable assembly	RM1-5740-000CN	1
35	Sensor cable assembly	RM1-5741-000CN	1
36	Motor/sensor cable assembly	RM1-5752-000CN	1

Internal assemblies (3 of 5)

Figure 4-5 Internal assemblies (3 of 5)

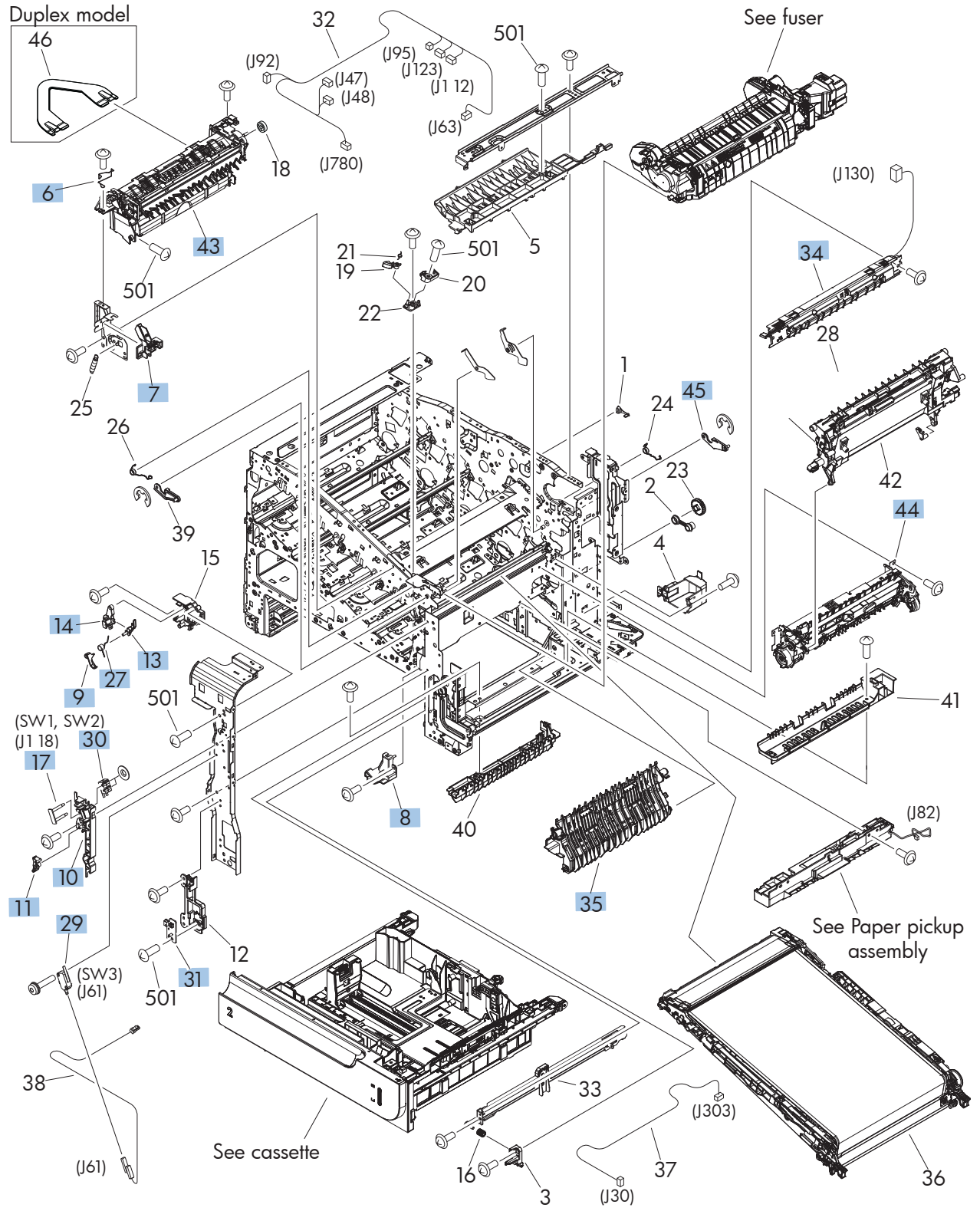


Table 4-6 Internal assemblies (3 of 5)

Ref	Description	Part number	Qty
6	Wire, (mech) sensor protect	RC2-4828-000CN	1
7	Sensor cable guide assembly	RM1-8178-000CN	1
8	Cover, right lower inner	RC2-5019-000CN	1
9	Link, interlock	RC2-5120-000CN	1
10	Mount, interlock switch	RC2-5123-000CN	1
11	Arm, interlock link switch	RC2-5121-000CN	1
13	Link, interlock	RC2-5119-000CN	1
14	Link, interlock	RC2-5118-000CN	1
17	Shaft	RC2-5913-000CN	1
27	Link, interlock	RC2-5122-000CN	1
29	Microswitch	WC4-5171-000CN	1
30	Door switch assembly	RM1-5732-000CN	1
31	Switch, PCA assembly	RM1-8097-000CN	1
34	Density detect assembly	RM1-8163-000CN	1
35	Pick up lower guide assembly	RM1-8132-000CN	1
43	Paper delivery assembly (simplex)	RM1-5003-050CN	1
43	Paper delivery assembly (duplex)	RM1-4970-060CN	1
44	Registration assembly (simplex)	RM1-5009-000CN	1
44	Registration assembly (duplex)	RM1-4969-000CN	1
45	Rear lock arm assembly	RM1-5533-000CN	1

Internal assemblies (4 of 5)

Figure 4-6 Internal assemblies (4 of 5)

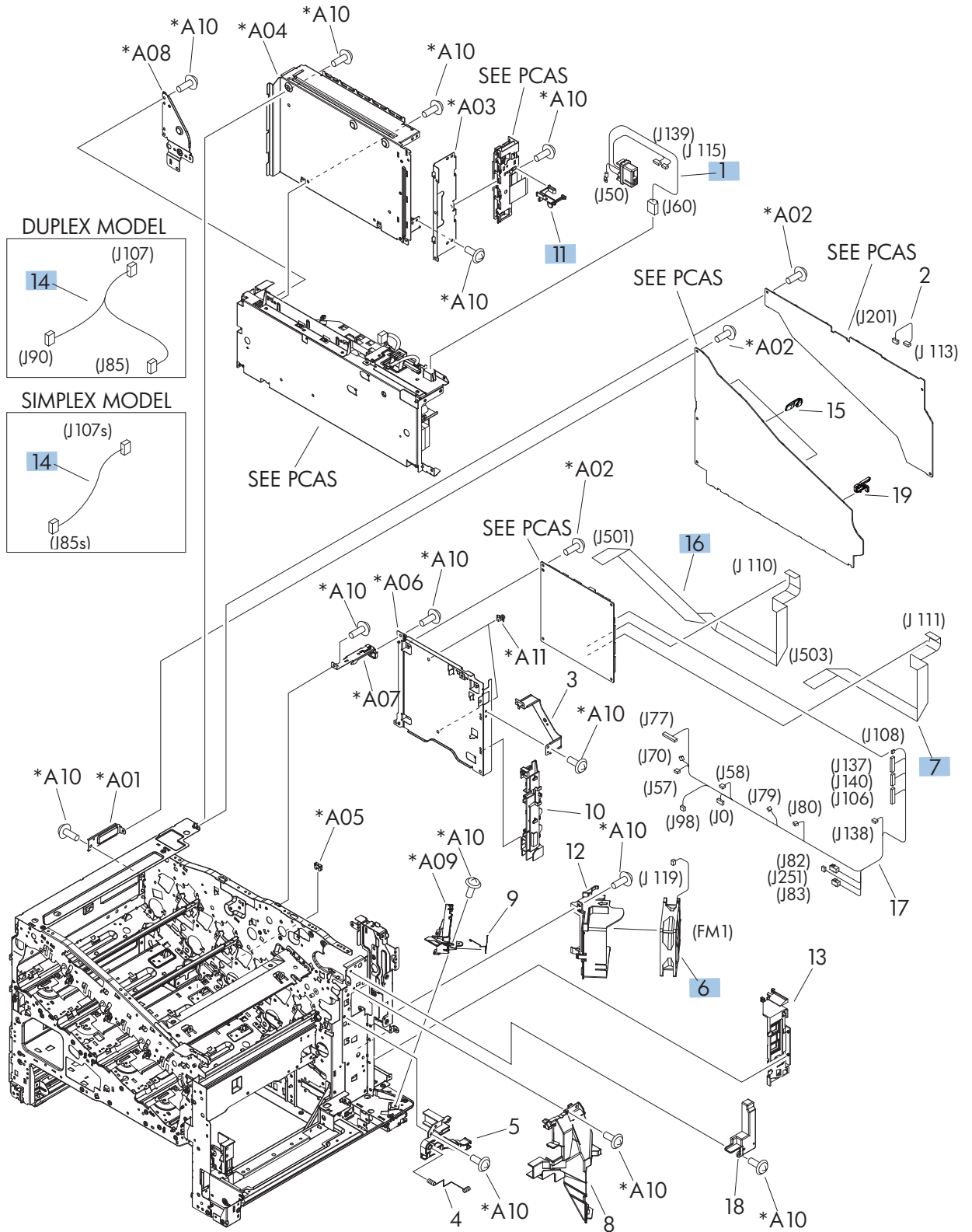


Table 4-7 Internal assemblies (4 of 5)

Ref	Description	Part number	Qty
1	Fusing connecting cable assembly	RM1-5714-000CN	1
6	Fan (FM1)	RK2-2416-000CN	1
7	Cable, flat 2 laser	RK2-3943-000CN	1
11	Switch arm	RC2-5943-000CN	1
14	MP sensor cable assembly (simplex)	RM1-5750-000CN	1
14	MP sensor cable assembly (duplex)	RM1-5737-000CN	1
16	Cable, flat 1 scanner	RK2-3941-000CN	1

Internal assemblies (5 of 5)

Figure 4-7 Internal assemblies (5 of 5)

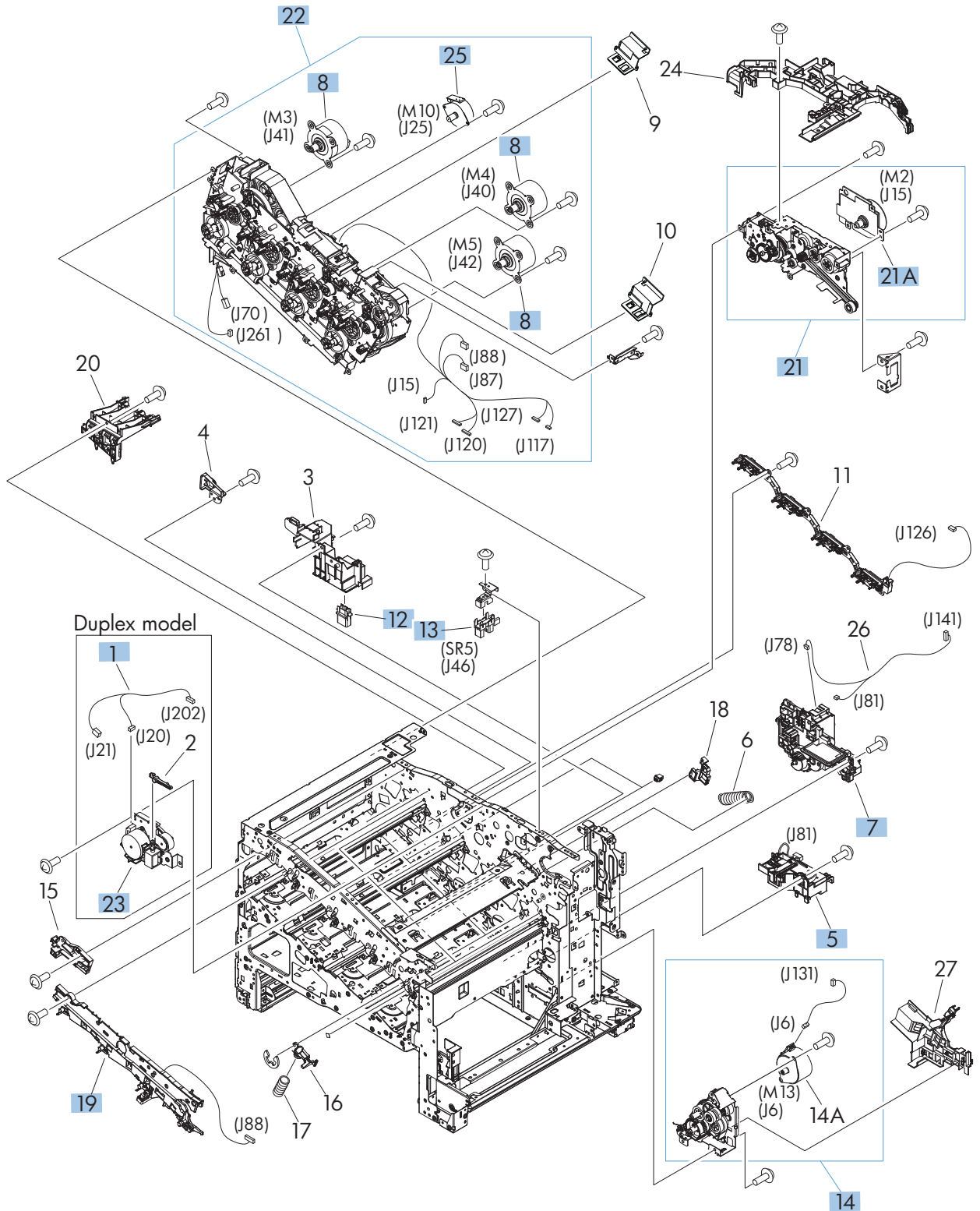


Table 4-8 Internal assemblies (5 of 5)

Ref	Description	Part number	Qty
1	Duplexing unit cable assembly	RM1-5730-000CN	1
5	Auto close assembly	RM1-8137-000CN	1
7	Lifter drive assembly	RM1-8136-000CN	1
8	Main motor unit (M3, M4, M5)	RM1-8105-000CN	3
12	Connector, drawer	VS1-7258-007CN	1
13	Photo interrupter, TLP1243	WG8-5935-000CN	1
14	Cassette paper pick up drive assembly (M13)	RM1-8135-000CN	1
14A	Pickup motor assembly (M13)	RM1-5773-000CN	1
19	Rear Pre-exposure PCA assembly	RM1-5705-000CN	1
21	Fusing (fixing) drive assembly (simplex)	RM1-8169-000CN	1
21	Fusing (fixing) drive assembly (duplex)	RM1-8134-000CN	1
22A	Fusing (fixing) motor assembly (M2)	RM1-4983-000CN	1
23	Duplexing drive assembly	RM1-4973-000CN	1
25	Stepping motor, DC (developing disengagement; M10)	RK2-2415-000CN	1

Cassette

Figure 4-8 Cassette

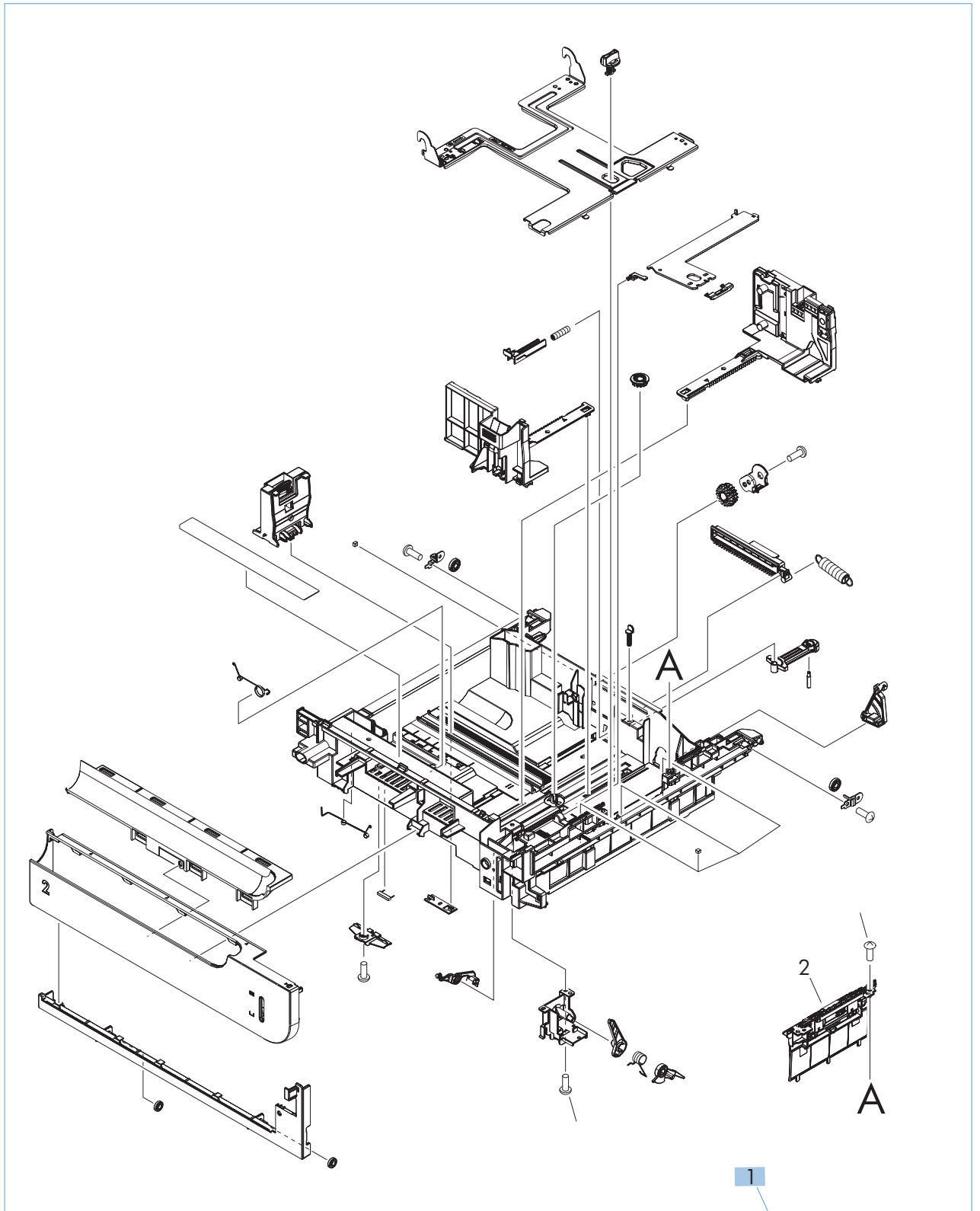


Table 4-9 Cassette

Ref	Description	Part number	Qty
1	Cassette	RM1-8125-000CN	1

Paper pickup assembly

Figure 4-9 Paper pickup assembly

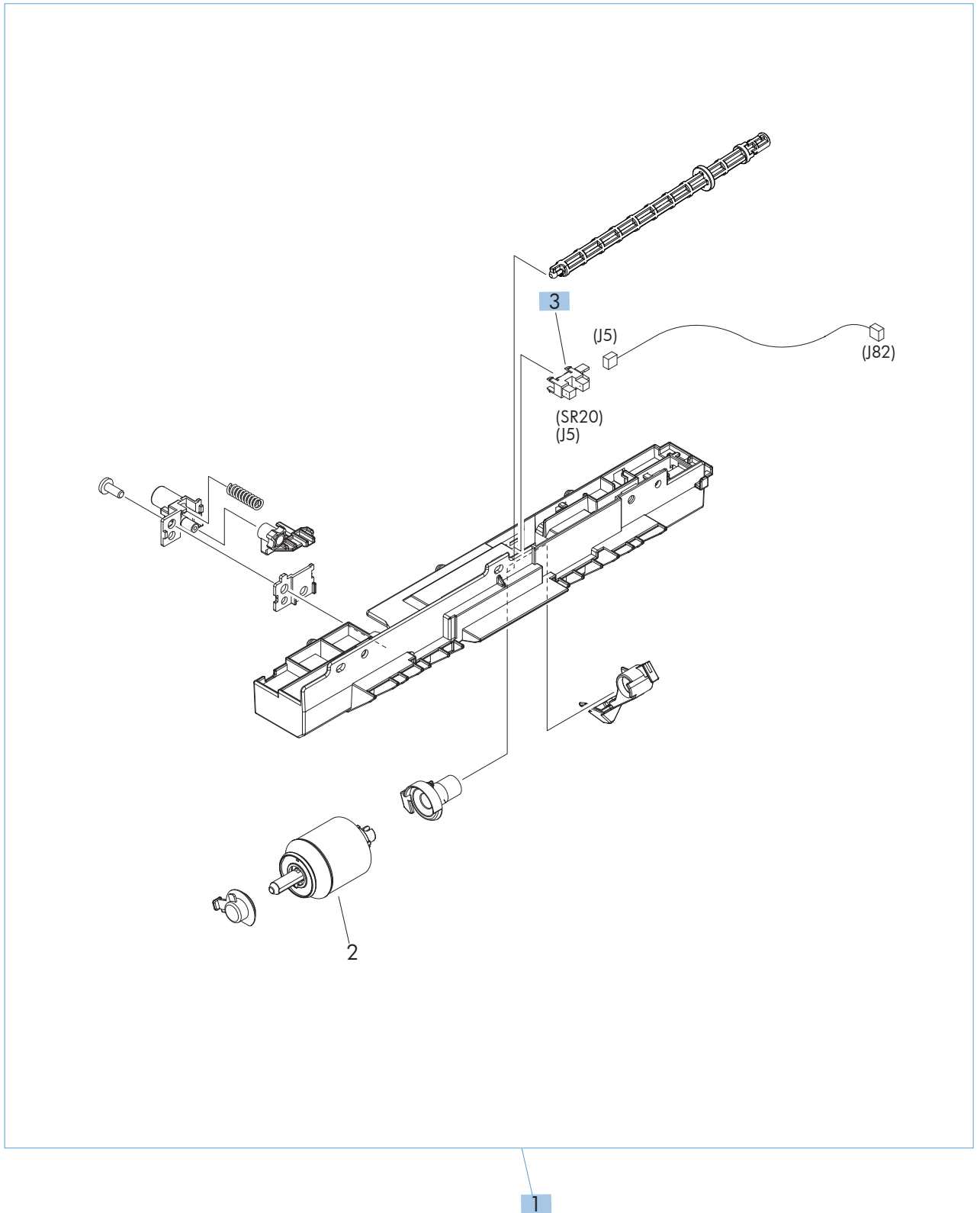


Table 4-10 Paper pickup assembly

Ref	Description	Part number	Qty
1	Paper pickup assembly (simplex)	RM1-8168-000CN	1
1	Paper pickup assembly (duplex)	RM1-8124-000CN	1
3	Photointerrupter	WG8-5935-000CN	1

PCAs

Figure 4-10 PCAs

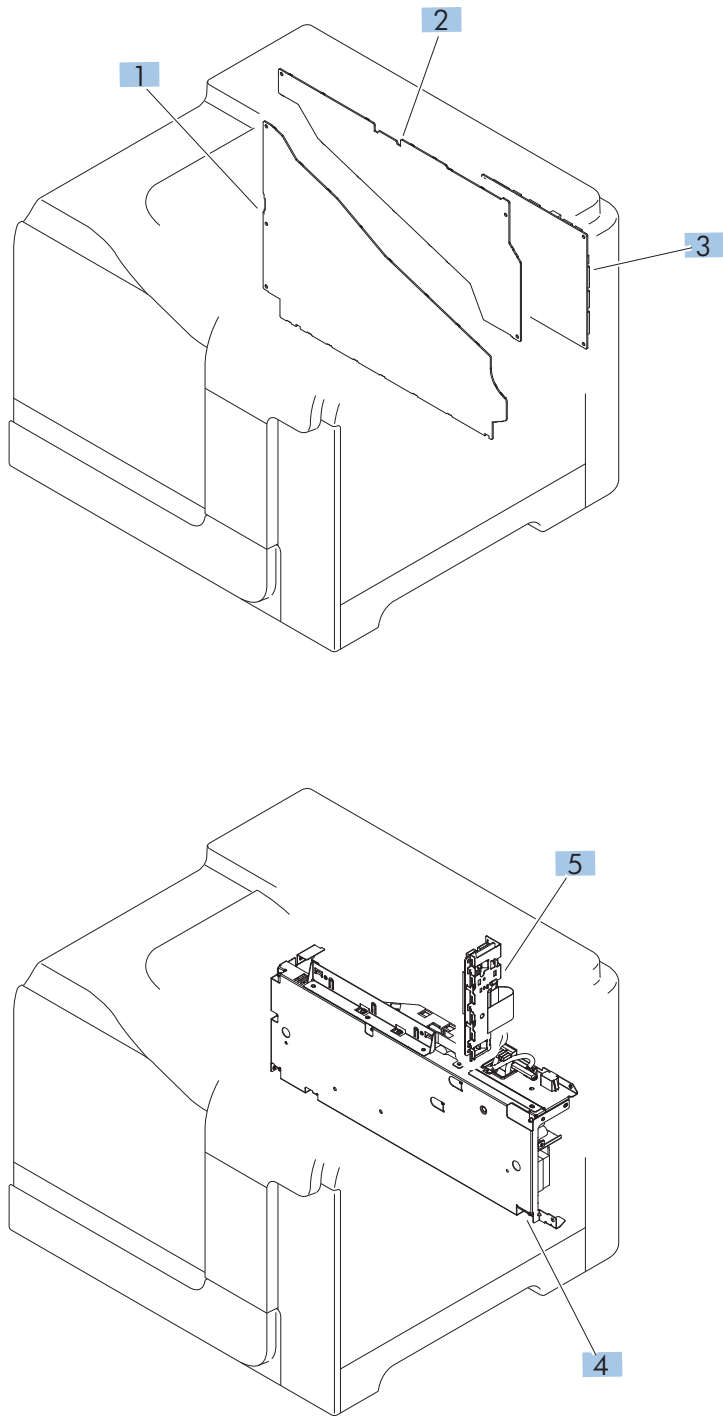


Table 4-11 PCAs

Ref	Description	Part number	Qty
1	Lower HVPS-D PCA	RM1-8087-000CN	1
2	Upper HVPS-T PCA (simplex)	RM1-8089-000CN	1
2	Upper HVPS-T PCA (duplex)	RM1-8088-000CN	1
3	DC controller PCA	RM1-8104-000CN	1
4	Low-voltage power supply 110V	RM1-8091-000CN	1
4	Low-voltage power supply 220V	RM1-8093-000CN	1
5	Inner connecting PCA (ICB)	RM1-8143-000CN	1
Not shown	Formatter assembly kit (exchange)	CF081-69001	1
Not shown	Formatter assembly kit (China)	CF081-67912	1

Assessories

1 x 500-sheet paper feeder

Figure 4-11 1 x 500-sheet paper feeder

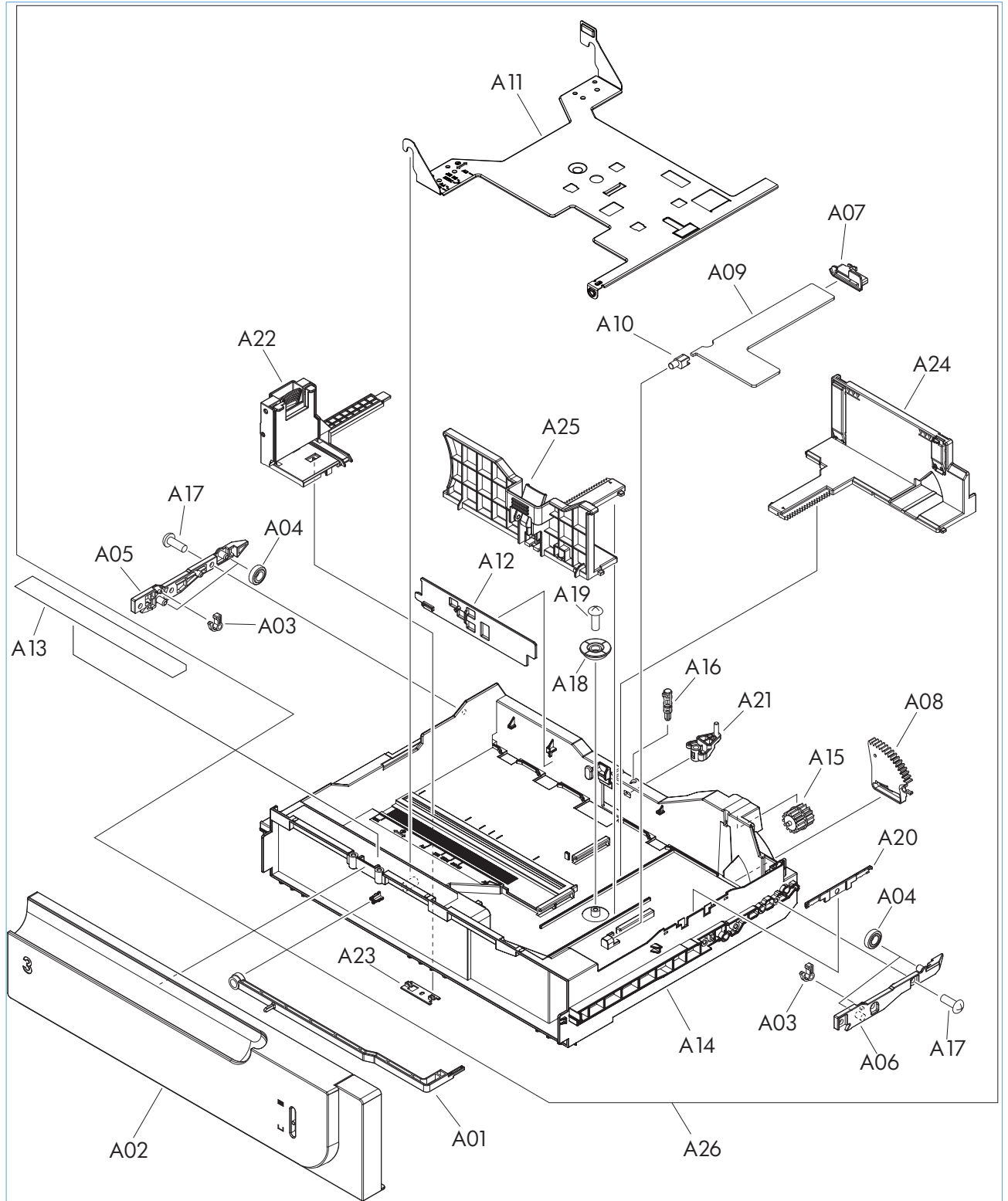


Table 4-12 1 x 500-sheet paper feeder

Ref	Description	Part number	Qty
1	1 x 500-sheet feeder replacement kit	CF084-67901	1

Paper feeder covers

Figure 4-12 Paper feeder covers

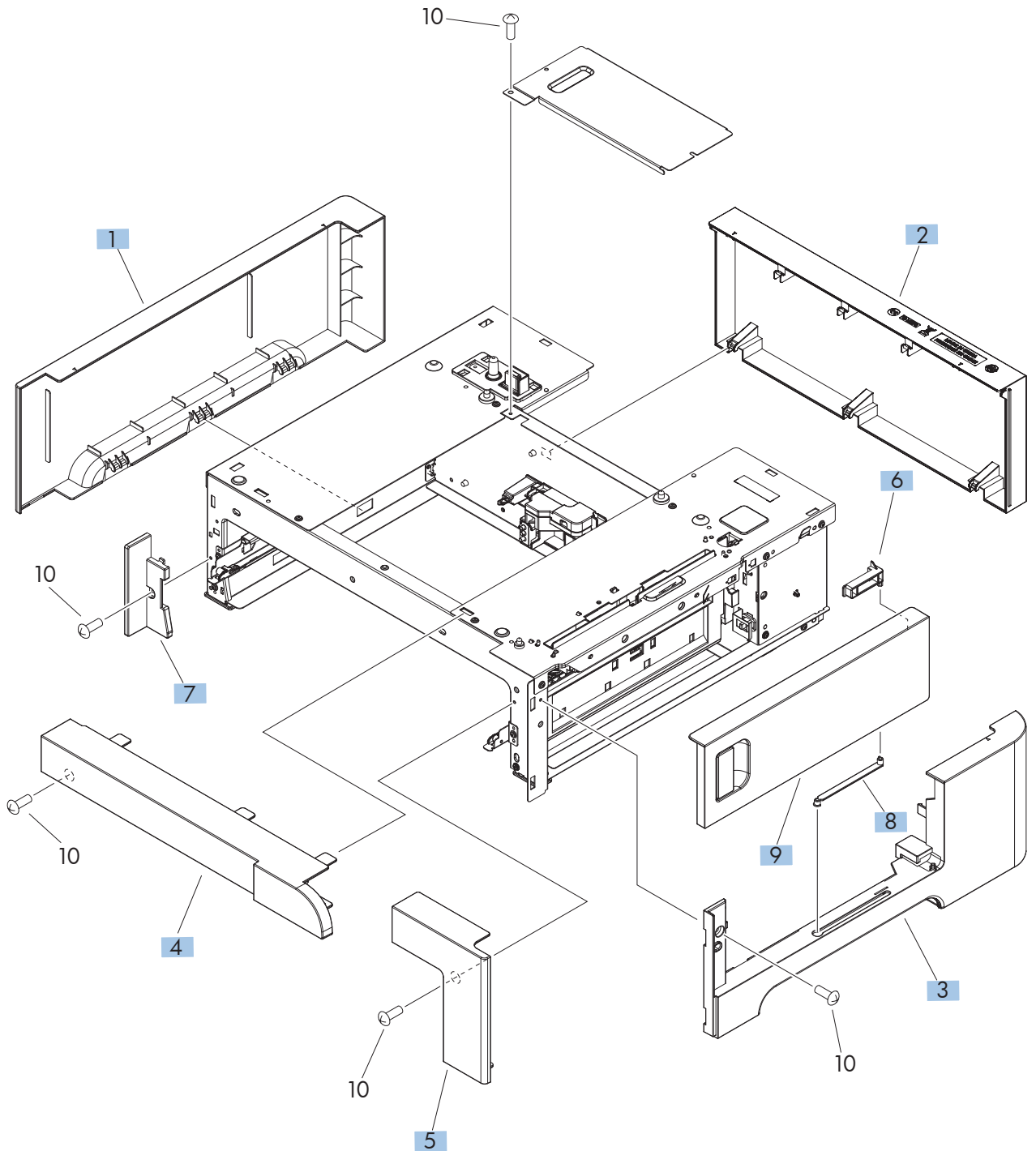


Table 4-13 Paper feeder covers

Ref	Description	Part number	Qty
1	Cover, left	RC2-5428-000CN	1
2	Cover, rear	RC2-5429-000CN	1
3	Cover, right	RC2-5427-000CN	1
4	Cover, front upper	RC2-5425-000CN	1
5	Cover, front right	RC2-5426-000CN	1
6	Stopper, door	RC2-5417-000CN	1
7	Cover, left front	RC2-5430-000CN	1
8	Link, door right	RC2-5435-000CN	1
9	Right door assembly	RM1-6192-000CN	1

Paper feeder main body

Figure 4-13 Paper feeder main body

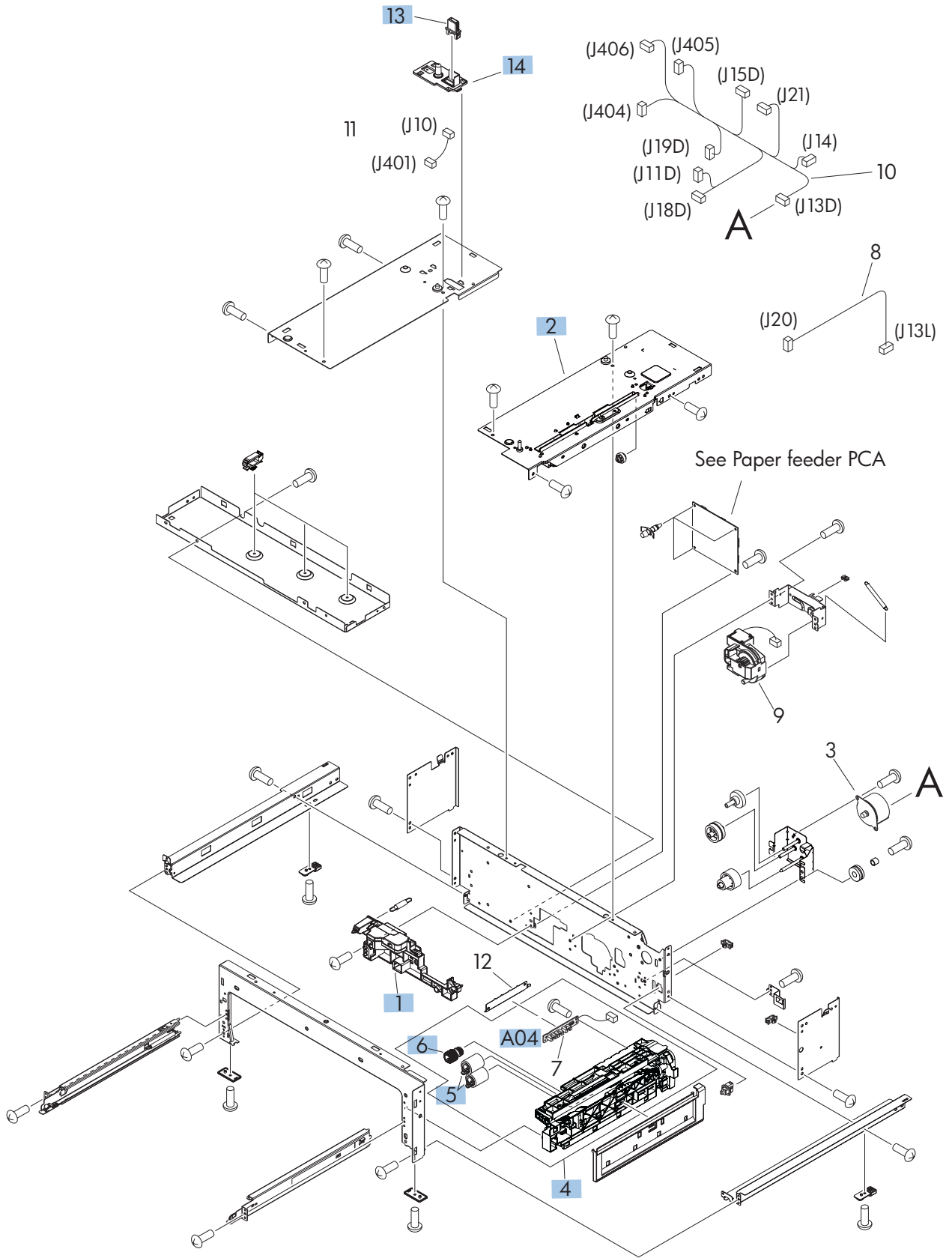


Table 4-14 Paper feeder main body

Ref	Description	Part number	Qty
1	Lifter base assembly	RM1-5913-000CN	1
2	Paper feed assembly	RM1-6194-030CN	1
4	Paper pickup assembly	RM1-5919-000CN	1
5	Paper feed roller assembly	CF081-67913	1
6	Roller, paper pickup	CF081-67913	1
13	Drawer connector holder	VS1-7257-007CN	1
14	Holder, drawer connector	RC2-5416-000CN	1
A04	Screw, tapping, pan head M4X10	XB4-7401-007CN	1

Paper feeder cassette

Figure 4-14 Cassette

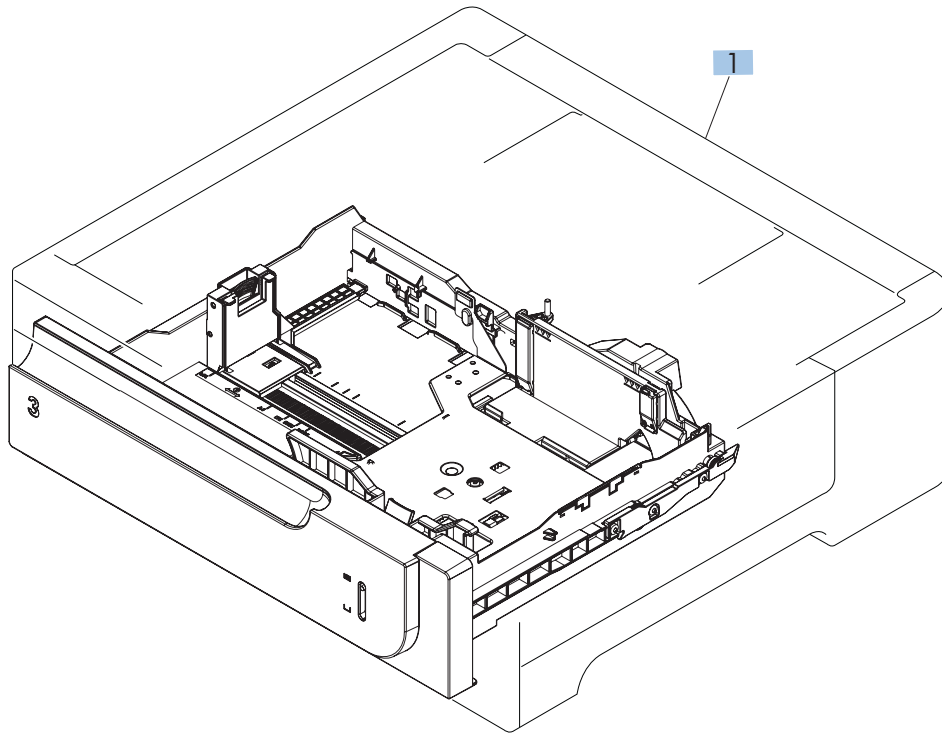


Table 4-15 Cassette

Ref	Description	Part number	Qty
1	Cassette assembly (Tray 3)	RM1-6198-000CN	1

Paper feeder PCA

Figure 4-15 Paper feeder PCA

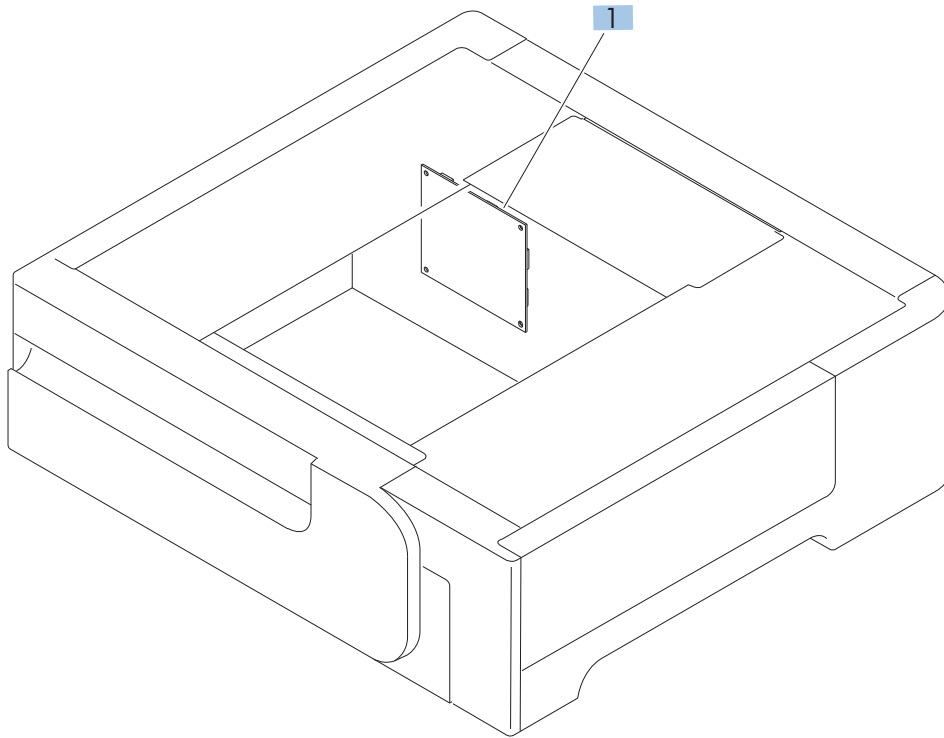


Table 4-16 Paper feeder PCA

Ref	Description	Part number	Qty
1	PCA, paper feeder driver	RM1-5839-000CN	1