
8 Parts and diagrams

 **NOTE:** In this chapter, part numbers are listed only for available replaceable parts.

- [Order parts, accessories, and supplies](#)
- [Part numbers](#)
- [How to use the parts lists and diagrams](#)
- [Scanner assembly](#)
- [Assembly locations](#)
- [Covers](#)
- [Internal assemblies](#)
- [PCAs](#)
- [Optional 250-sheet paper cassette](#)
- [Alphabetical parts list](#)
- [Numerical parts list](#)

Order parts, accessories, and supplies


You can obtain the following items directly from HP:

- **Replacement parts:** To order replacement parts in the U.S., go to www.hp.com/go/hpparts. Outside the United States, order parts by contacting your local authorized HP service center.
- **Supplies and accessories:** To order supplies in the U.S., go to www.hp.com/go/ljsupplies. To order supplies worldwide, go to www.hp.com/ghp/buyonline.html. To order accessories, go to www.hp.com/support/CM2320series.

Part numbers

Supplies

Product name	Part number	Service part number
Black print cartridge with HP ColorSphere toner	CC530A	CC530-67901
Cyan print cartridge with HP ColorSphere toner	CC531A	CC531-67901
Yellow print cartridge with HP ColorSphere toner	CC532A	CC532-67901
Magenta print cartridge with HP ColorSphere toner	CC533A	CC533-67901

 **NOTE:** For information about the yield for the cartridges, see www.hp.com/go/pageyield. Actual yield depends on specific use.

Memory

Product name	Description	Part number
Memory upgrades (DIMMs)	64 MB	C1887A
	128 MB	C9121A

Cable and interface accessories

Product name	Description	Part number
USB cable	2-meter standard USB-compatible device connector	Q6264A
	3-meter standard USB-compatible device connector	C6520A

Repair kits

Product name	Description	Part number
Multipurpose tray paper pickup kit	Tray 1 paper pickup roller and separation pad	CC436-67904
Paper pickup roller kit	Pickup roller assembly, separation roller assembly, and holder cover	CC430-67901
Scanner assembly (fax/memory-card models)	Scanner assembly for fax/memory-card models	CC436-67902
Scanner assembly (base models)	Scanner assembly for base models	CC436-67903

User-replaceable parts

Product name	Description	Part number
Automatic document feeder (ADF)	Replace when the ADF is damaged or not working correctly.	CC434-67902 (base models and fax models) CC436-67901 (memory-card models only)
ADF pickup roller assembly	Replace when the ADF pages skew or jam.	5851-3580
Legal media cover kit	Optional cover (used when the tray is loaded with legal-size media)	CB493-60101
Tray 3	250-sheet input tray for standard sizes	CB500-67902

Whole unit replacement part numbers

If a lower-level replacement part is not available, use the tables in this section to find the engine replacement part number for a specific product bundle and localized configuration.

Table 8-1 Whole unit replacement, product bundle CC434 (base models)

Country/region	Replacement part number
Brazil	CC434-69001
Mexico	CC434-69002
Taiwan	CC434-69003
Singapore, Malaysia, Brunei, Vietnam, Australia, New Zealand	CC434-69004
Argentina, Chile, Peru	CC434-69005
Germany, France, Netherlands, Italy, Spain, Great Britain, Switzerland, Belgium, Portugal, South Africa, Middle East	CC434-69006
Norway, Sweden, Finland, Denmark	CC434-69007
Czech Republic, Slovakia, Poland, Hungary, Russia, Turkey, Croatia, Romania, Slovenia, Greece, Israel	CC434-69008
Korea, China, Thailand, Hong Kong SAR	CC434-69009

Table 8-2 Whole unit replacement, product bundle CC436 (fax models)

Country/region	Replacement part number
Brazil	CC436-69001
Taiwan, Canada, United States, Mexico	CC436-69002
Argentina, Chile, Peru	CC436-69003
Singapore, Malaysia	CC436-69004
All other unlisted 220V Asian-Pacific countries/regions	CC436-69005
All European Union countries/regions	CC436-69006

Table 8-3 Whole unit replacement, product bundle CC435 (memory-card models)

Country/region	Replacement part number
Brazil	CC435-69001
Taiwan, Canada, United States, Mexico	CC435-69002
Argentina, Chile, Peru	CC435-69003
Singapore, Malaysia	CC435-69004
All other unlisted 220V Asian-Pacific countries/regions	CC435-69005
All European Union countries/regions	CC435-69006

How to use the parts lists and diagrams

The figures in this chapter show the major subassemblies in the product and their component parts. A parts list table follows each exploded view assembly diagram. Each table lists the item number, the associated part number, and the description of each part. If a part is not listed in the table, then it is not a field replacement unit (FRU).

- △ **CAUTION:** Be sure to order the correct part. When looking for part numbers for electrical components, pay careful attention to the voltage that is listed in the description column. Doing so will ensure that the part number selected is for the correct all-in-one model.
- 📄 **NOTE:** In this manual, the abbreviation “PCA” stands for “printed circuit-board assembly.” Components described as a PCA might consist of a single circuit board or a circuit board plus other parts, such as cables and sensors.

Scanner assembly

Figure 8-1 Scanner assembly

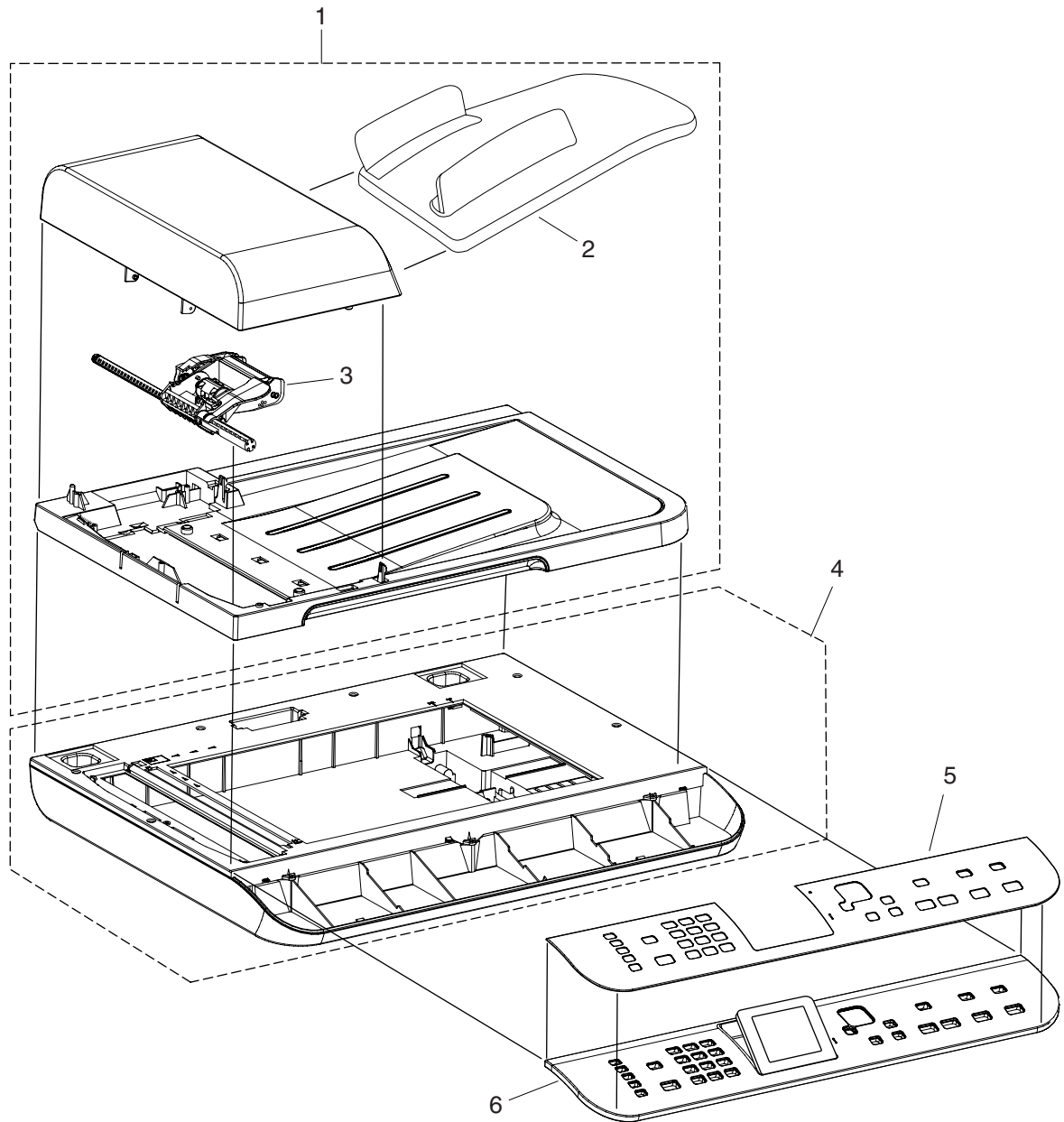


Table 8-4 Scanner assembly

Ref	Description	Part number	Qty
1	Automatic document feeder (ADF) assembly—simplex models	CC434-67902	1
1	Automatic document feeder (ADF) assembly—duplex models	CC436-67901	1
2	ADF input tray	CC431-60119	1
3	ADF pickup roller assembly	5851-3580	1
4	Scanner assembly, base	CC436-67903	1
	Scanner assembly, business/imaging	CC436-67902	1
5	Control-panel overlay, base model, English	CC434-60105	1
5	Control-panel overlay, base model, Spanish	CC434-00006	1
5	Control-panel overlay, base model, Portuguese	CC434-00007	1
5	Control-panel overlay, base model, German	CC434-00008	1
5	Control-panel overlay, base model, French	CC434-00009	1
5	Control-panel overlay, base model, Dutch	CC434-00010	1
5	Control-panel overlay, base model, Italian	CC434-00011	1
5	Control-panel overlay, base model, Swedish	CC434-00012	1
5	Control-panel overlay, base model, Norwegian	CC434-00013	1
5	Control-panel overlay, base model, Finnish	CC434-00014	1
5	Control-panel overlay, base model, Danish	CC434-00015	1
5	Control-panel overlay, base model, Russian	CC434-00016	1
5	Control-panel overlay, base model, Czech	CC434-00017	1
5	Control-panel overlay, base model, Hungarian	CC434-00018	1
5	Control-panel overlay, base model, Polish	CC434-00019	1
5	Control-panel overlay, base model, Slovak	CC434-00020	1
5	Control-panel overlay, base model, Turkish	CC434-00021	1
5	Control-panel overlay, base model, Greek	CC434-00022	1
5	Control-panel overlay, base model, Hebrew	CC434-00023	1
5	Control-panel overlay, base model, Arabic	CC434-00024	1
5	Control-panel overlay, base model, Chinese, traditional	CC434-00025	1
5	Control-panel overlay, base model, Korean	CC434-00026	1
5	Control-panel overlay, base model, Chinese, simplified	CC434-00027	1
5	Control-panel overlay, base model, Thai	CC434-00028	1
5	Control-panel overlay, base model, Vietnamese	CC434-00029	1
5	Control-panel bezel, fax model, English	CC436-40003	1
5	Control-panel bezel, fax model, Spanish	CC436-40004	1
5	Control-panel bezel, fax model, Portuguese	CC436-40005	1

Table 8-4 Scanner assembly (continued)

Ref	Description	Part number	Qty
5	Control-panel bezel, fax model, German	CC436-40006	1
5	Control-panel bezel, fax model, French	CC436-40007	1
5	Control-panel bezel, fax model, Dutch	CC436-40008	1
5	Control-panel bezel, fax model, Italian	CC436-40009	1
5	Control-panel bezel, fax model, Swedish	CC436-40010	1
5	Control-panel bezel, fax model, Norwegian	CC436-40011	1
5	Control-panel bezel, fax model, Finnish	CC436-40012	1
5	Control-panel bezel, fax model, Danish	CC436-40013	1
5	Control-panel bezel, fax model, Russian	CC436-40014	1
5	Control-panel bezel, fax model, Czech	CC436-40015	1
5	Control-panel bezel, fax model, Hungarian	CC436-40016	1
5	Control-panel bezel, fax model, Polish	CC436-40017	1
5	Control-panel bezel, fax model, Slovak	CC436-40018	1
5	Control-panel bezel, fax model, Turkish	CC436-40019	1
5	Control-panel bezel, fax model, Greek	CC436-40020	1
5	Control-panel bezel, fax model, Hebrew	CC436-40021	1
5	Control-panel bezel, fax model, Arabic	CC436-40022	1
5	Control-panel bezel, fax model, Chinese, traditional	CC436-40023	1
5	Control-panel bezel, fax model, Korean	CC436-40024	1
5	Control-panel bezel, fax model, Chinese, simplified	CC436-40025	1
5	Control-panel bezel, fax model, Thai	CC436-40026	1
5	Control-panel bezel, fax model, Vietnamese	CC436-40027	1
5	Control-panel bezel, memory-card model, English	CC431-40002	1
5	Control-panel bezel, memory-card model, Spanish	CC431-40003	1
5	Control-panel bezel, memory-card model, Portuguese	CC431-40004	1
5	Control-panel bezel, memory-card model, German	CC431-40005	1
5	Control-panel bezel, memory-card model, French	CC431-40006	1
5	Control-panel bezel, memory-card model, Dutch	CC431-40007	1
5	Control-panel bezel, memory-card model, Italian	CC431-40008	1
5	Control-panel bezel, memory-card model, Swedish	CC431-40009	1
5	Control-panel bezel, memory-card model, Norwegian	CC431-40010	1
5	Control-panel bezel, memory-card model, Finnish	CC431-40011	1
5	Control-panel bezel, memory-card model, Danish	CC431-40012	1
5	Control-panel bezel, memory-card model, Russian	CC431-40013	1
5	Control-panel bezel, memory-card model, Czech	CC431-40014	1

Table 8-4 Scanner assembly (continued)

Ref	Description	Part number	Qty
5	Control-panel bezel, memory-card model, Hungarian	CC431-40015	1
5	Control-panel bezel, memory-card model, Polish	CC431-40016	1
5	Control-panel bezel, memory-card model, Slovak	CC431-40017	1
5	Control-panel bezel, memory-card model, Turkish	CC431-40018	1
5	Control-panel bezel, memory-card model, Greek	CC431-40019	1
5	Control-panel bezel, memory-card model, Hebrew	CC431-40020	1
5	Control-panel bezel, memory-card model, Arabic	CC431-40021	1
5	Control-panel bezel, memory-card model, Chinese, traditional	CC431-40022	1
5	Control-panel bezel, memory-card model, Korean	CC431-40023	1
5	Control-panel bezel, memory-card model, Chinese, simplified	CC431-40024	1
5	Control-panel bezel, memory-card model, Thai	CC431-40025	1
5	Control-panel bezel, memory-card model, Vietnamese	CC431-40026	1
6	Control-panel assembly, Western, base model	CC434-60101	1
6	Control-panel assembly, Western, fax/memory-card models	CC431-60101	1
6	Control-panel assembly, Asian	CC434-60102	1

Assembly locations

Figure 8-2 Assembly locations

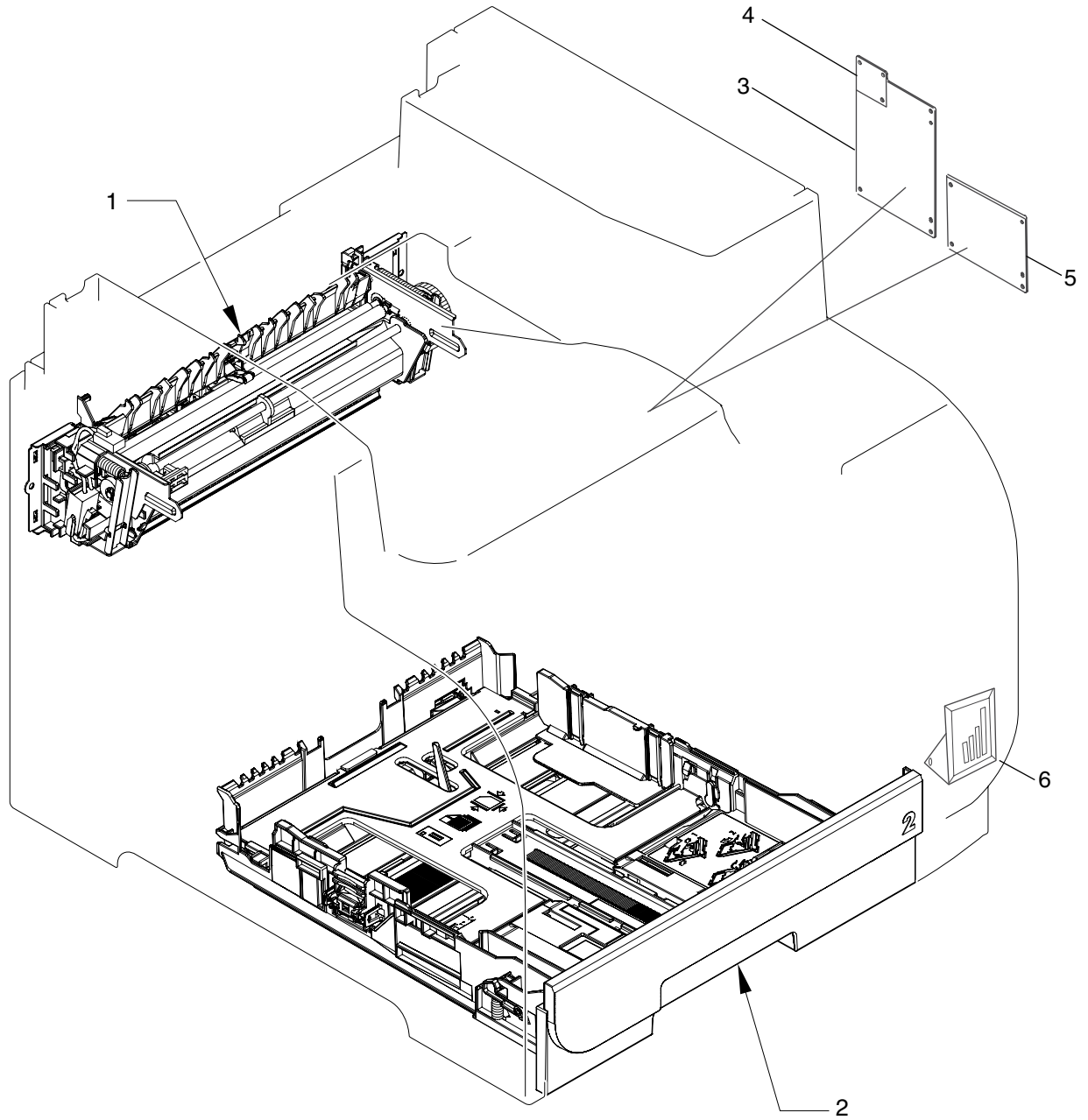


Table 8-5 Assembly locations

Ref	Description	Part number	Qty
1	Fuser assembly (110-127 V)	RM1-6740-000CN	1
1	Fuser assembly (220-240 V)	RM1-6741-000CN	1
2	Paper input cassette	RM1-4860-000CN	1
3	Formatter, fax models	CC400-67901	1
3	Formatter, business	CE684-67901	1
4	DAA (fax card), Americas/Asia (fax models only)	CC367-60001	1
4	DAA (fax card), Europe (fax models only)	CC514-60002	1
5	Formatter, base model	CC399-67901	1
6	Memory-card assembly (memory-card models only)	CC401-67901	1
	Formatter bracket, fax/memory-card models (not shown)	CC431-00002	1
	Formatter bracket, base models (not shown)	CC430-00027	1
	DAA flat flexible cable (not shown)	5851-3054	1
	Memory card cable guide (not shown)	CC435-40001	1
	Memory card bracket (not shown)	CC435-00001	1
	Fax insulator (not shown)	5851-3375	1
	Speaker (not shown)	Q3948-60113	1
	Core ferrite (not shown)	9170-2452	1
	Memory card cable (not shown)	5851-3055	1
	Blank bezel (not shown)	CC434-67901	1
	Memory card bezel (not shown)	CC435-67901	1

Covers

Figure 8-3 External panels and covers

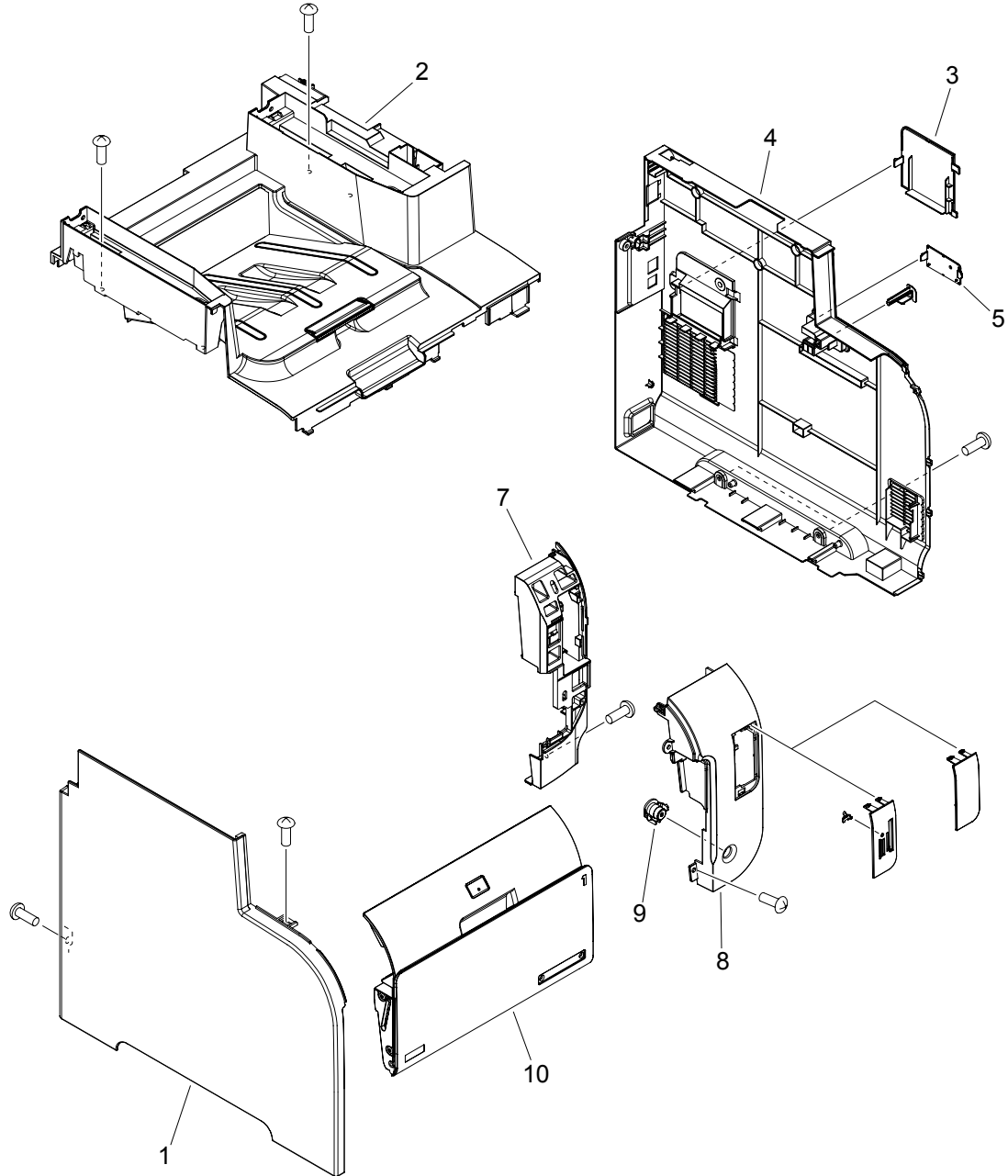


Table 8-6 External panels and covers

Ref	Description	Part number	Qty
1	Cover, left	RC2-3913-000CN	1
2	Upper cover assembly	RM1-4911-000CN	1
3	Cover, DIMM	RC2-3614-000CN	1
4	Cover, right	RC2-3912-000CN	1
5	Cover, IOT	RC2-3918-000CN	1
7	Cover, right front, lower	RC2-3915-000CN	1
8	Cover, right front	RC2-3914-000CN	1
9	Button, power	RC2-3612-000CN	1
10	Front door assembly	RM1-4848-000CN	1

Internal assemblies

Figure 8-4 Internal components (1 of 7)

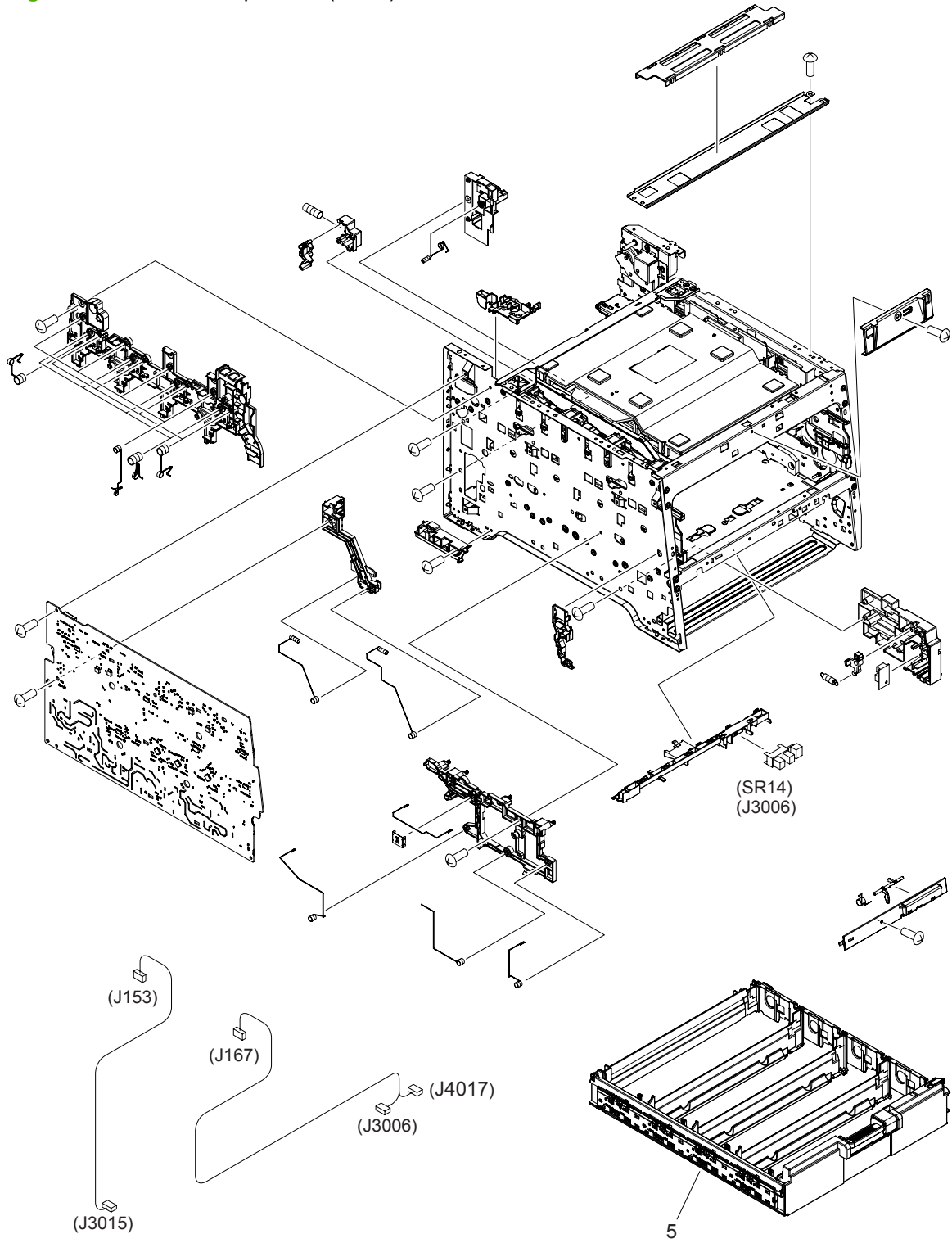


Table 8-7 Internal components (1 of 7)

Ref	Description	Part number	Qty
5	Cartridge tray assembly	RM1-4836-000CN	1

Figure 8-5 Internal components (2 of 7)

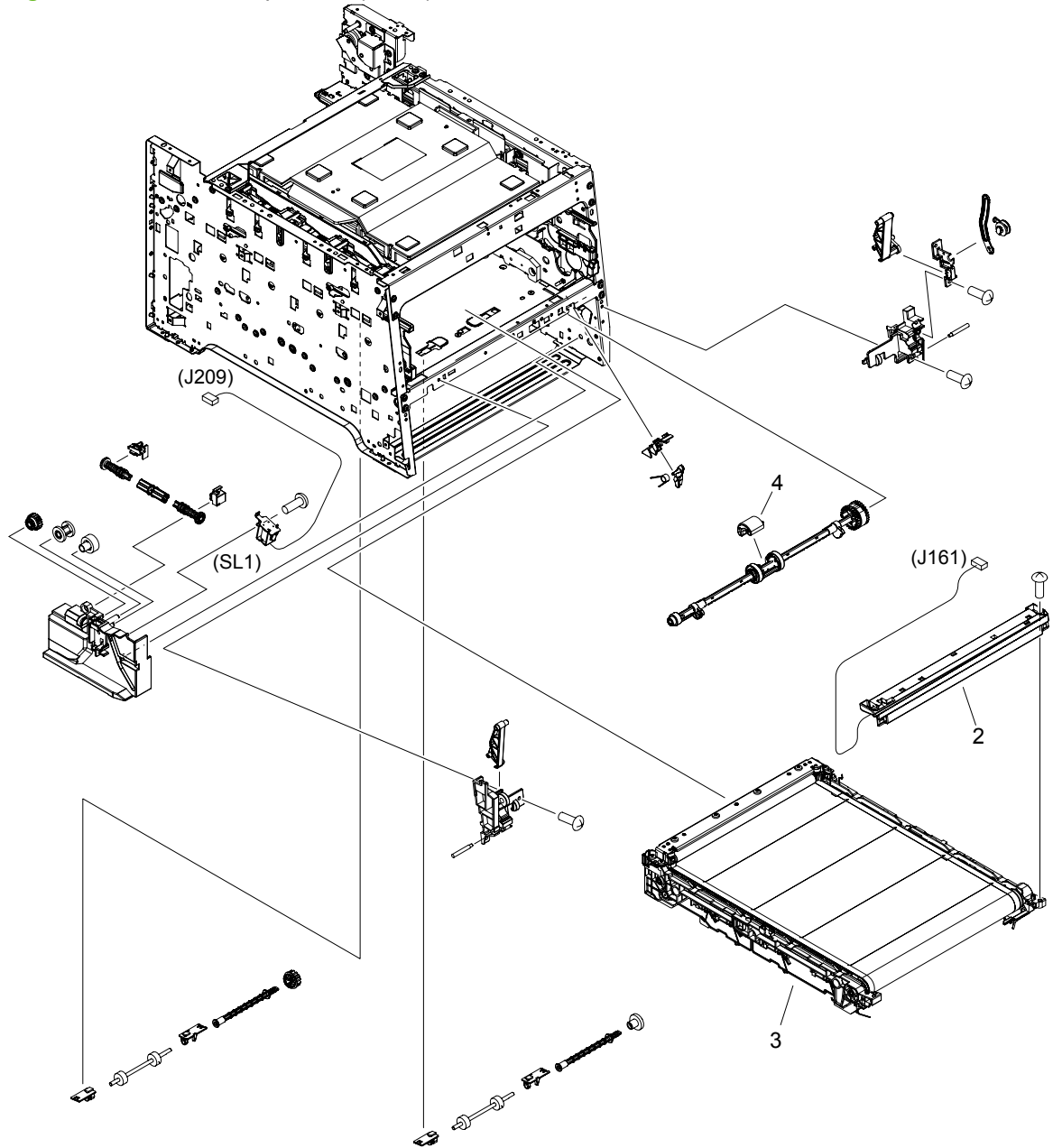


Table 8-8 Internal components (2 of 7)

Ref	Description	Part number	Qty
2	Color misregistration sensor assembly	RM1-4850-000CN	1
3	Intermediate transfer belt assembly	RM1-4852-000CN	1
4	Roller, paper pickup	RL1-1802-000CN	1

Figure 8-6 Internal components (3 of 7)

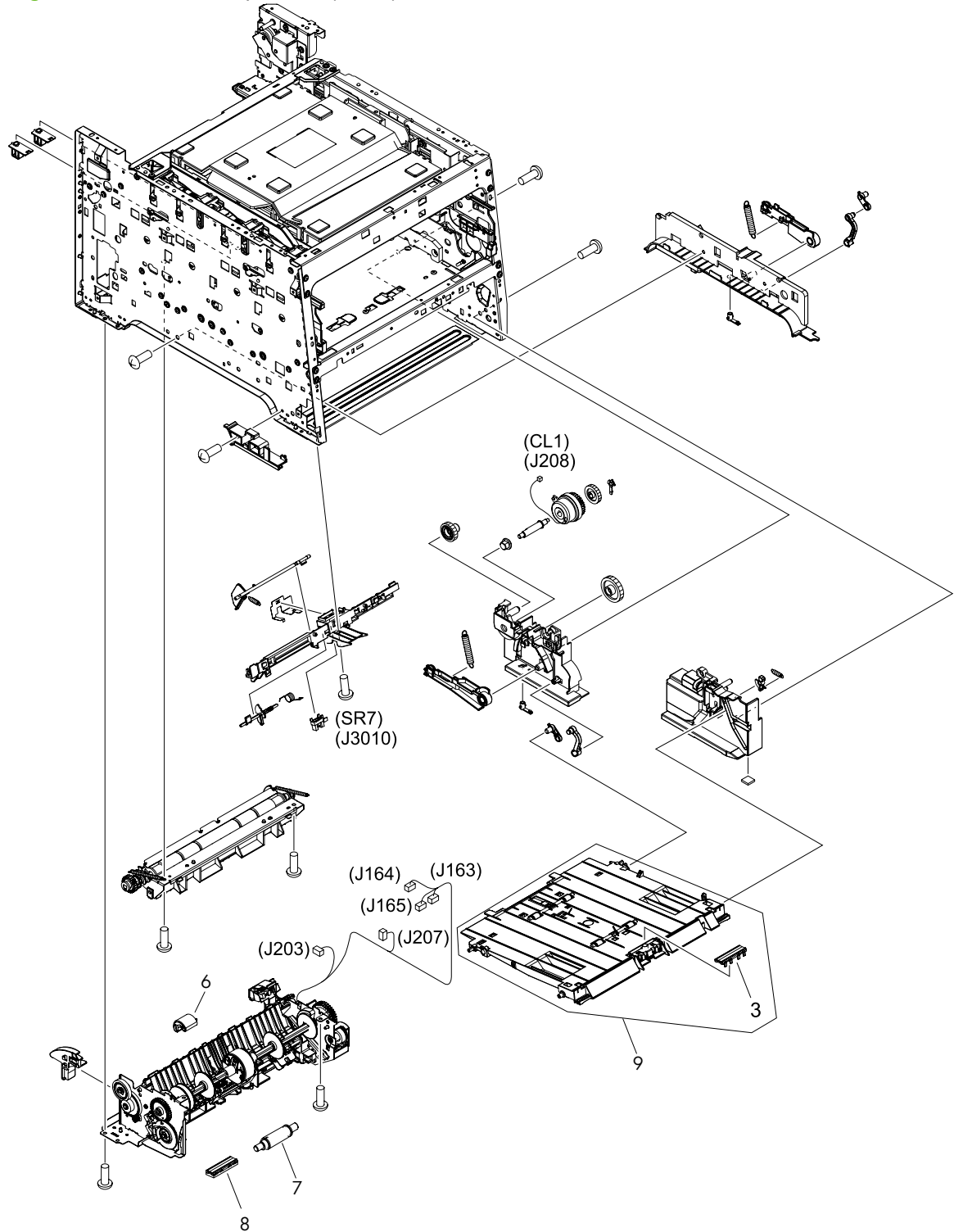


Table 8-9 Internal components (3 of 7)

Ref	Description	Part number	Qty
3	Pad, separation	RL1-1785-000CN	1
6	Pickup roller assembly	RM1-4426-000CN	1
7	Separation roller assembly	RM1-4840-000CN	1
8	Cover, holder	RC2-2014-000CN	1
9	MP paper pickup assembly (Tray 1)	RM1-4839-000CN	1

Table 8-10 Internal components (4 of 7)

Ref	Description	Part number	Qty
10	Cable, flat	RK2-2302-000CN	1
16	Motor, DC	RL1-1800-000CN	2

Figure 8-8 Internal components (5 of 7)

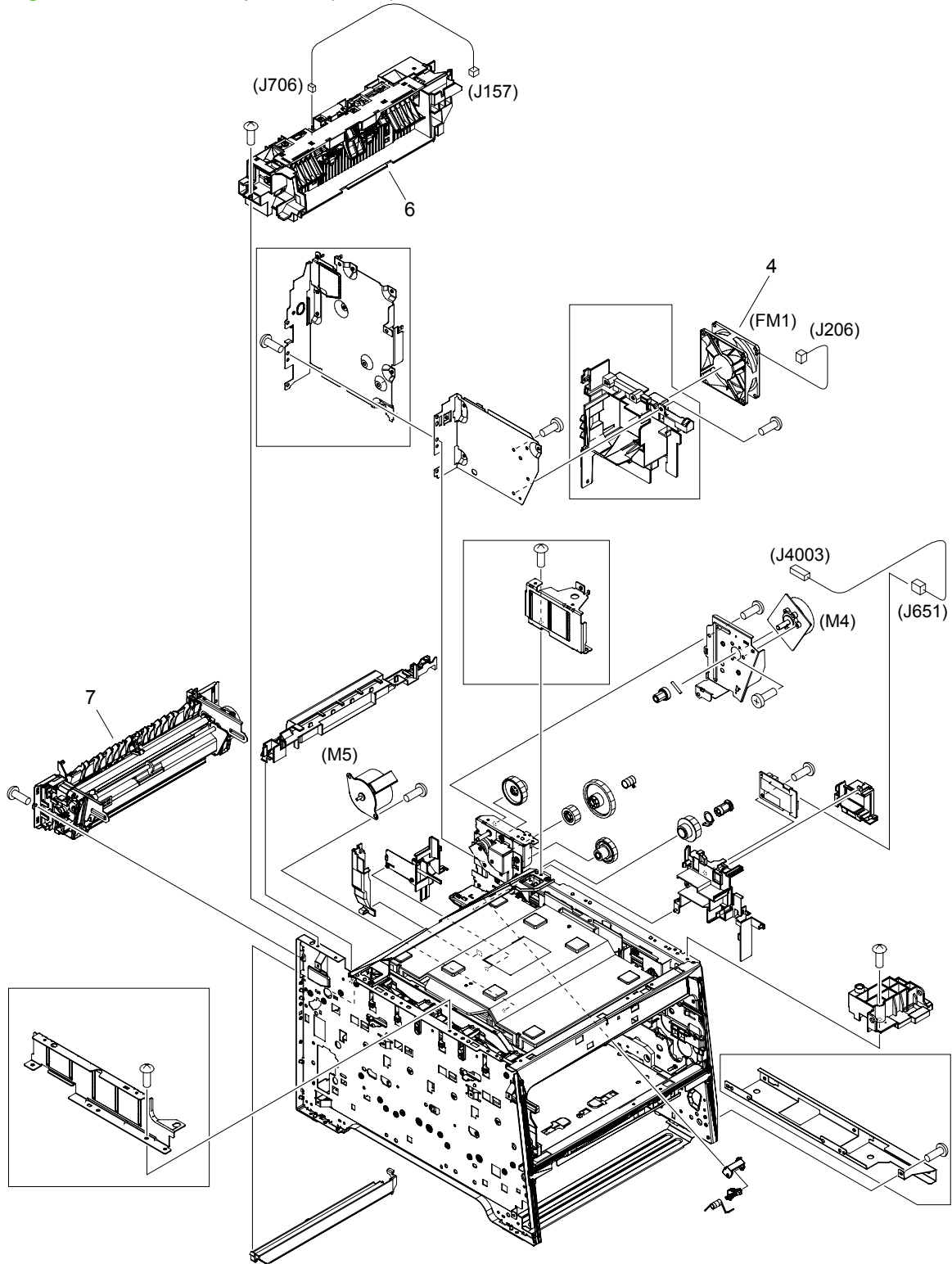


Table 8-11 Internal components (5 of 7)

Ref	Description	Part number	Qty
4	Fan	RK2-2276-000CN	1
6	Paper delivery assembly	RM1-4873-000CN	1
7	Fuser assembly (110-127 V)	RM1-6740-000CN	1
7	Fuser assembly (220-240 V)	RM1-6741-000CN	1

Figure 8-9 Internal components (6 of 7)—simplex models

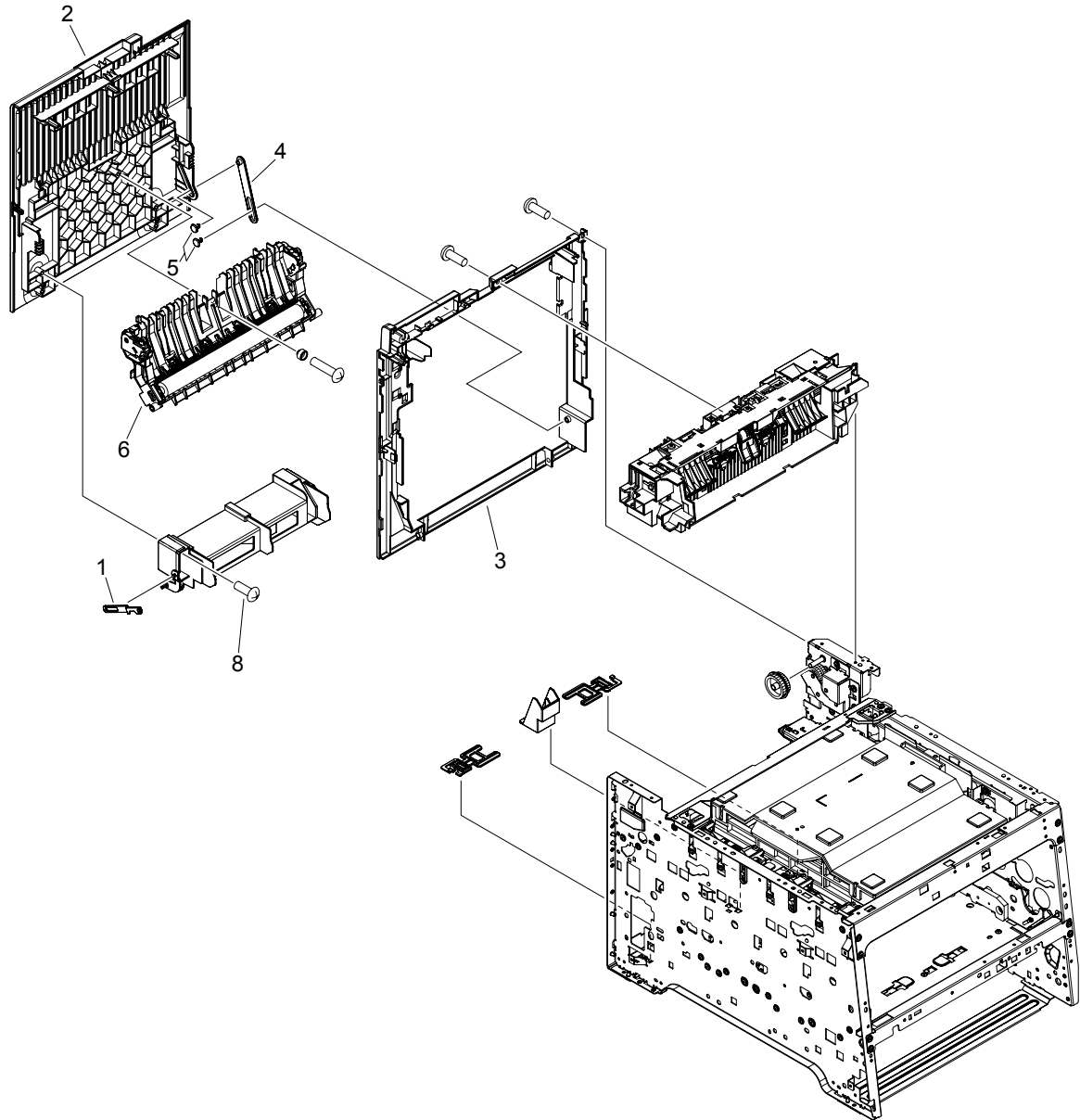


Table 8-12 Internal components (6 of 7)

Ref	Description	Part number	Qty
1	Link, guide ¹	Not orderable	1
2	Door, rear	RC2-3604-000CN	1
3	Cover, rear	RL1-1822-000CN	1
4	Stopper, door, rear	RC2-3598-000CN	1
5	Cap, link	RC2-3599-000CN	2
6	Paper feed guide assembly (simplex and duplex products) ²	RM1-4838-000CN	1

¹ Depending on which end of the link-guide attachment point has failed, replace either the rear door, or the entire product (the interior paper guide is not replaceable).

² The paper-feed guide includes the transfer roller.

Figure 8-10 Internal components (7 of 7)—duplex models

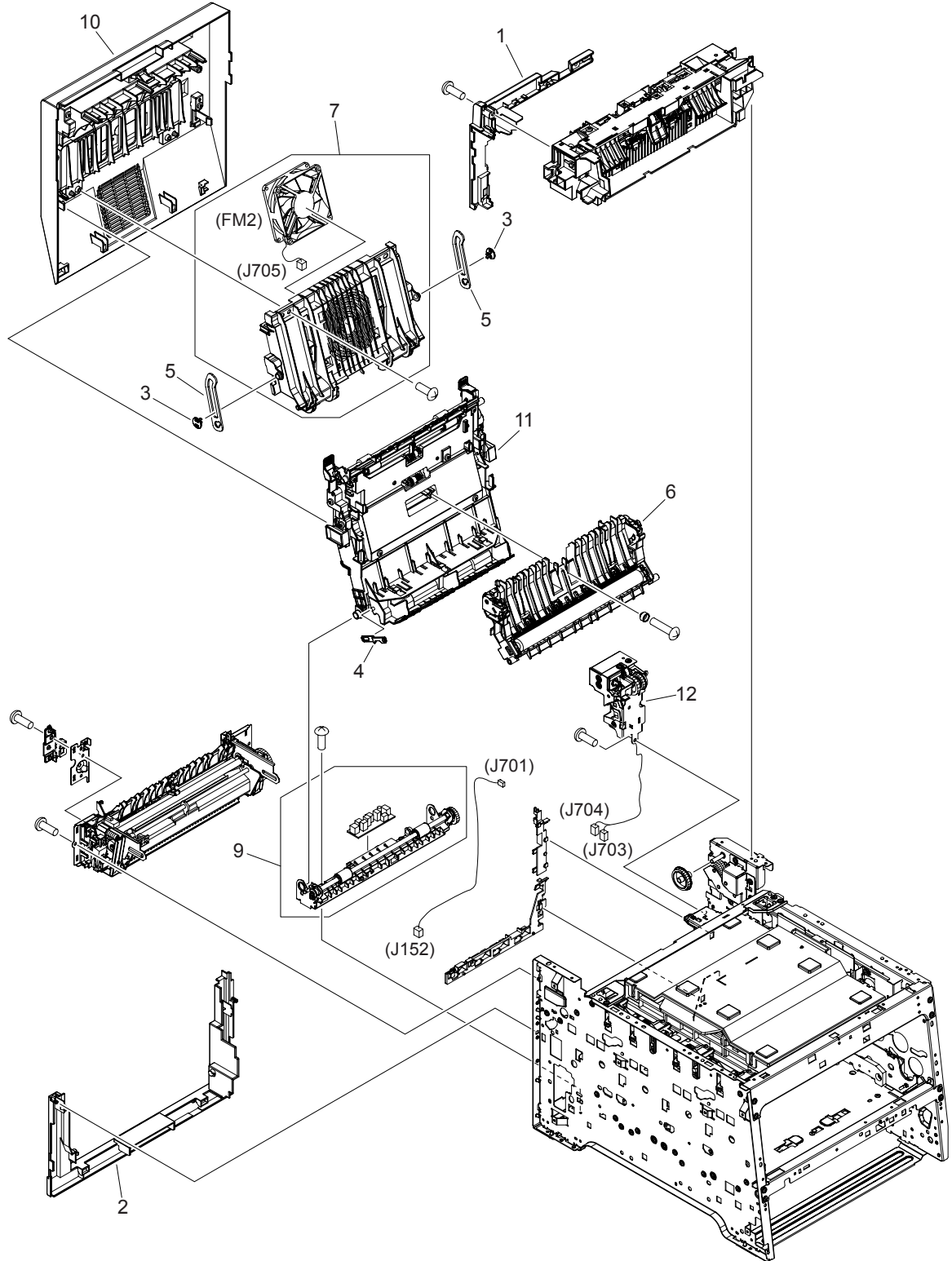


Table 8-13 Internal components (7 of 7)

Ref	Description	Part number	Qty
1	Cover, upper rear	RL1-1823-000CN	1
2	Cover, lower rear	RC2-3748-000CN	1
3	Cap, link	RC2-3774-000CN	2
4	Link, guide ¹	Not orderable	1
5	Link, door	RC2-3750-000CN	2
6	Paper feed guide assembly (simplex and duplex products) ²	RM1-4838-000CN	1
7	Rear door rib assembly	RM1-4876-000CN	1
9	Paper re-pickup guide assembly	RM1-4877-000CN	1
10	Rear door assembly	RM1-4878-000CN	1
11	Duplexing-feed guide assembly	RM1-4879-000CN	1
12	Reverse drive assembly	RM1-4880-000CN	1

¹ Depending on which end of the link-guide attachment point has failed, replace either the duplexing-feed guide assembly, or the entire product (the interior paper guide is not replaceable).

² The paper-feed guide includes the transfer roller.

PCAs

Figure 8-11 PCA locations

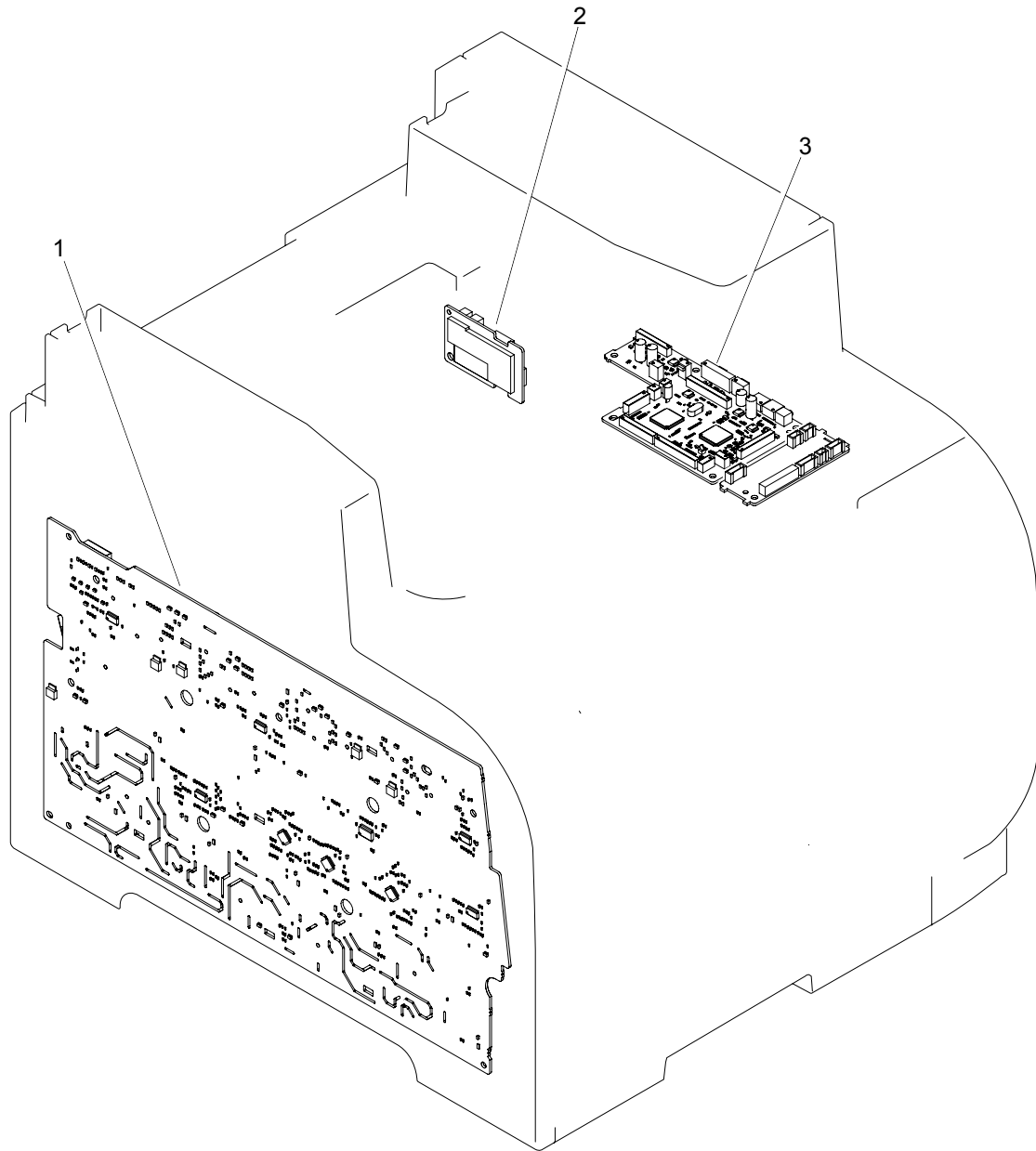


Table 8-14 PCA locations

Ref	Description	Part number	Qty
1	High-voltage power supply PCA	RM1-5294-000CN	1
2	Power supply sub PCA	RM1-5303-000CN	1
3	DC controller PCA	RM1-5431-000CN	1

Optional 250-sheet paper cassette

Figure 8-12 Optional 250-sheet paper cassette

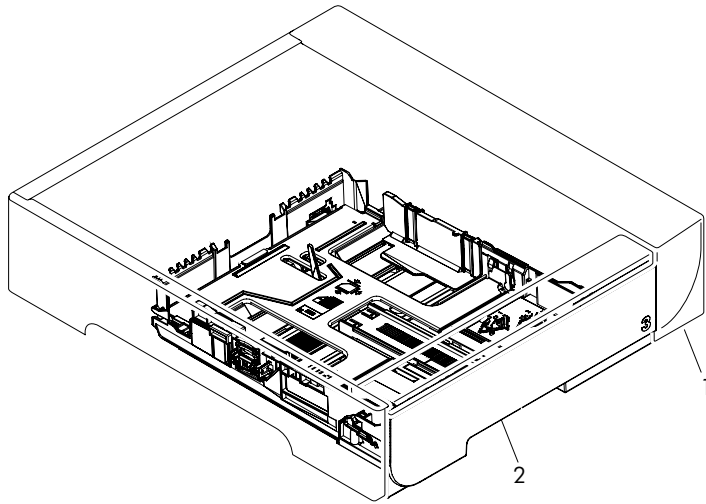


Table 8-15 250-sheet paper cassette

Ref	Description	Part number	Qty
1	Optional 250-sheet paper feeder (includes cassette)	CB500-67902	1
2	Optional 250-sheet paper cassette	RM1-4901-000CN	1

Alphabetical parts list

Table 8-16 Alphabetical parts list

Description	Part number	Table and page
ADF input tray	CC431-60119	Scanner assembly on page 333
ADF pickup roller assembly	5851-3580	Scanner assembly on page 333
Automatic document feeder (ADF) assembly—duplex models	CC436-67901	Scanner assembly on page 333
Automatic document feeder (ADF) assembly—simplex models	CC434-67902	Scanner assembly on page 333
Blank bezel (not shown)	CC434-67901	Assembly locations on page 337
Button, power	RC2-3612-000CN	External panels and covers on page 339
Cable, flat	RK2-2302-000CN	Internal components (4 of 7) on page 347
Cap, link	RC2-3599-000CN	Internal components (6 of 7) on page 351
Cap, link	RC2-3774-000CN	Internal components (7 of 7) on page 353
Cartridge tray assembly	RM1-4836-000CN	Internal components (1 of 7) on page 341
Color misregistration sensor assembly	RM1-4850-000CN	Internal components (2 of 7) on page 343
Control-panel assembly, Asian	CC434-60102	Scanner assembly on page 333
Control-panel assembly, Western, base model	CC434-60101	Scanner assembly on page 333
Control-panel assembly, Western, fax/memory-card models	CC431-60101	Scanner assembly on page 333
Control-panel bezel, fax model, Arabic	CC436-40022	Scanner assembly on page 333
Control-panel bezel, fax model, Chinese, simplified	CC436-40025	Scanner assembly on page 333
Control-panel bezel, fax model, Chinese, traditional	CC436-40023	Scanner assembly on page 333
Control-panel bezel, fax model, Czech	CC436-40015	Scanner assembly on page 333
Control-panel bezel, fax model, Danish	CC436-40013	Scanner assembly on page 333
Control-panel bezel, fax model, Dutch	CC436-40008	Scanner assembly on page 333
Control-panel bezel, fax model, English	CC436-40003	Scanner assembly on page 333

Table 8-16 Alphabetical parts list (continued)

Description	Part number	Table and page
Control-panel bezel, fax model, Finnish	CC436-40012	Scanner assembly on page 333
Control-panel bezel, fax model, French	CC436-40007	Scanner assembly on page 333
Control-panel bezel, fax model, German	CC436-40006	Scanner assembly on page 333
Control-panel bezel, fax model, Greek	CC436-40020	Scanner assembly on page 333
Control-panel bezel, fax model, Hebrew	CC436-40021	Scanner assembly on page 333
Control-panel bezel, fax model, Hungarian	CC436-40016	Scanner assembly on page 333
Control-panel bezel, fax model, Italian	CC436-40009	Scanner assembly on page 333
Control-panel bezel, fax model, Korean	CC436-40024	Scanner assembly on page 333
Control-panel bezel, fax model, Norwegian	CC436-40011	Scanner assembly on page 333
Control-panel bezel, fax model, Polish	CC436-40017	Scanner assembly on page 333
Control-panel bezel, fax model, Portuguese	CC436-40005	Scanner assembly on page 333
Control-panel bezel, fax model, Russian	CC436-40014	Scanner assembly on page 333
Control-panel bezel, fax model, Slovak	CC436-40018	Scanner assembly on page 333
Control-panel bezel, fax model, Spanish	CC436-40004	Scanner assembly on page 333
Control-panel bezel, fax model, Swedish	CC436-40010	Scanner assembly on page 333
Control-panel bezel, fax model, Thai	CC436-40026	Scanner assembly on page 333
Control-panel bezel, fax model, Turkish	CC436-40019	Scanner assembly on page 333
Control-panel bezel, fax model, Vietnamese	CC436-40027	Scanner assembly on page 333
Control-panel bezel, memory-card model, Arabic	CC431-40021	Scanner assembly on page 333
Control-panel bezel, memory-card model, Chinese, simplified	CC431-40024	Scanner assembly on page 333
Control-panel bezel, memory-card model, Chinese, traditional	CC431-40022	Scanner assembly on page 333
Control-panel bezel, memory-card model, Czech	CC431-40014	Scanner assembly on page 333

Table 8-16 Alphabetical parts list (continued)

Description	Part number	Table and page
Control-panel bezel, memory-card model, Danish	CC431-40012	Scanner assembly on page 333
Control-panel bezel, memory-card model, Dutch	CC431-40007	Scanner assembly on page 333
Control-panel bezel, memory-card model, English	CC431-40002	Scanner assembly on page 333
Control-panel bezel, memory-card model, Finnish	CC431-40011	Scanner assembly on page 333
Control-panel bezel, memory-card model, French	CC431-40006	Scanner assembly on page 333
Control-panel bezel, memory-card model, German	CC431-40005	Scanner assembly on page 333
Control-panel bezel, memory-card model, Greek	CC431-40019	Scanner assembly on page 333
Control-panel bezel, memory-card model, Hebrew	CC431-40020	Scanner assembly on page 333
Control-panel bezel, memory-card model, Hungarian	CC431-40015	Scanner assembly on page 333
Control-panel bezel, memory-card model, Italian	CC431-40008	Scanner assembly on page 333
Control-panel bezel, memory-card model, Korean	CC431-40023	Scanner assembly on page 333
Control-panel bezel, memory-card model, Norwegian	CC431-40010	Scanner assembly on page 333
Control-panel bezel, memory-card model, Polish	CC431-40016	Scanner assembly on page 333
Control-panel bezel, memory-card model, Portuguese	CC431-40004	Scanner assembly on page 333
Control-panel bezel, memory-card model, Russian	CC431-40013	Scanner assembly on page 333
Control-panel bezel, memory-card model, Slovak	CC431-40017	Scanner assembly on page 333
Control-panel bezel, memory-card model, Spanish	CC431-40003	Scanner assembly on page 333
Control-panel bezel, memory-card model, Swedish	CC431-40009	Scanner assembly on page 333
Control-panel bezel, memory-card model, Thai	CC431-40025	Scanner assembly on page 333
Control-panel bezel, memory-card model, Turkish	CC431-40018	Scanner assembly on page 333
Control-panel bezel, memory-card model, Vietnamese	CC431-40026	Scanner assembly on page 333
Control-panel overlay, base model, Arabic	CC434-00024	Scanner assembly on page 333

Table 8-16 Alphabetical parts list (continued)

Description	Part number	Table and page
Control-panel overlay, base model, Chinese, simplified	CC434-00027	Scanner assembly on page 333
Control-panel overlay, base model, Chinese, traditional	CC434-00025	Scanner assembly on page 333
Control-panel overlay, base model, Czech	CC434-00017	Scanner assembly on page 333
Control-panel overlay, base model, Danish	CC434-00015	Scanner assembly on page 333
Control-panel overlay, base model, Dutch	CC434-00010	Scanner assembly on page 333
Control-panel overlay, base model, English	CC434-60105	Scanner assembly on page 333
Control-panel overlay, base model, Finnish	CC434-00014	Scanner assembly on page 333
Control-panel overlay, base model, French	CC434-00009	Scanner assembly on page 333
Control-panel overlay, base model, German	CC434-00008	Scanner assembly on page 333
Control-panel overlay, base model, Greek	CC434-00022	Scanner assembly on page 333
Control-panel overlay, base model, Hebrew	CC434-00023	Scanner assembly on page 333
Control-panel overlay, base model, Hungarian	CC434-00018	Scanner assembly on page 333
Control-panel overlay, base model, Italian	CC434-00011	Scanner assembly on page 333
Control-panel overlay, base model, Korean	CC434-00026	Scanner assembly on page 333
Control-panel overlay, base model, Norwegian	CC434-00013	Scanner assembly on page 333
Control-panel overlay, base model, Polish	CC434-00019	Scanner assembly on page 333
Control-panel overlay, base model, Portuguese	CC434-00007	Scanner assembly on page 333
Control-panel overlay, base model, Russian	CC434-00016	Scanner assembly on page 333
Control-panel overlay, base model, Slovak	CC434-00020	Scanner assembly on page 333
Control-panel overlay, base model, Spanish	CC434-00006	Scanner assembly on page 333
Control-panel overlay, base model, Swedish	CC434-00012	Scanner assembly on page 333
Control-panel overlay, base model, Thai	CC434-00028	Scanner assembly on page 333

Table 8-16 Alphabetical parts list (continued)

Description	Part number	Table and page
Control-panel overlay, base model, Turkish	CC434-00021	Scanner assembly on page 333
Control-panel overlay, base model, Vietnamese	CC434-00029	Scanner assembly on page 333
Core ferrite (not shown)	9170-2452	Assembly locations on page 337
Cover, DIMM	RC2-3614-000CN	External panels and covers on page 339
Cover, holder	RC2-2014-000CN	Internal components (3 of 7) on page 345
Cover, IOT	RC2-3918-000CN	External panels and covers on page 339
Cover, left	RC2-3913-000CN	External panels and covers on page 339
Cover, lower rear	RC2-3748-000CN	Internal components (7 of 7) on page 353
Cover, rear	RL1-1822-000CN	Internal components (6 of 7) on page 351
Cover, right	RC2-3912-000CN	External panels and covers on page 339
Cover, right front	RC2-3914-000CN	External panels and covers on page 339
Cover, right front, lower	RC2-3915-000CN	External panels and covers on page 339
Cover, upper rear	RL1-1823-000CN	Internal components (7 of 7) on page 353
DAA (fax card), Americas/Asia (fax models only)	CC367-60001	Assembly locations on page 337
DAA (fax card), Europe (fax models only)	CC514-60002	Assembly locations on page 337
DAA flat flexible cable (not shown)	5851-3054	Assembly locations on page 337
DC controller PCA	RM1-5431-000CN	PCA locations on page 355
Door, rear	RC2-3604-000CN	Internal components (6 of 7) on page 351
Duplexing-feed guide assembly	RM1-4879-000CN	Internal components (7 of 7) on page 353
Fan	RK2-2276-000CN	Internal components (5 of 7) on page 349
Fax insulator (not shown)	5851-3375	Assembly locations on page 337
Formatter bracket, base models (not shown)	CC430-00027	Assembly locations on page 337

Table 8-16 Alphabetical parts list (continued)

Description	Part number	Table and page
Formatter bracket, fax/memory-card models (not shown)	CC431-00002	Assembly locations on page 337
Formatter, base model	CC399-67901	Assembly locations on page 337
Formatter, business	CE684-67901	Assembly locations on page 337
Formatter, fax models	CC400-67901	Assembly locations on page 337
Front door assembly	RM1-4848-000CN	External panels and covers on page 339
Fuser assembly (110-127 V)	RM1-6740-000CN	Assembly locations on page 337
Fuser assembly (110-127 V)	RM1-6740-000CN	Internal components (5 of 7) on page 349
Fuser assembly (220-240 V)	RM1-6741-000CN	Assembly locations on page 337
Fuser assembly (220-240 V)	RM1-6741-000CN	Internal components (5 of 7) on page 349
High-voltage power supply PCA	RM1-5294-000CN	PCA locations on page 355
Intermediate transfer belt assembly	RM1-4852-000CN	Internal components (2 of 7) on page 343
Link, door	RC2-3750-000CN	Internal components (7 of 7) on page 353
Link, guide ¹	Not orderable	Internal components (6 of 7) on page 351
Link, guide ¹	Not orderable	Internal components (7 of 7) on page 353
Memory card bezel (not shown)	CC435-67901	Assembly locations on page 337
Memory card bracket (not shown)	CC435-00001	Assembly locations on page 337
Memory card cable (not shown)	5851-3055	Assembly locations on page 337
Memory card cable guide (not shown)	CC435-40001	Assembly locations on page 337
Memory-card assembly (memory-card models only)	CC401-67901	Assembly locations on page 337
Motor, DC	RL1-1800-000CN	Internal components (4 of 7) on page 347
MP paper pickup assembly (Tray 1)	RM1-4839-000CN	Internal components (3 of 7) on page 345
Optional 250-sheet paper cassette	RM1-4901-000CN	250-sheet paper cassette on page 357

Table 8-16 Alphabetical parts list (continued)

Description	Part number	Table and page
Optional 250-sheet paper feeder (includes cassette)	CB500-67902	250-sheet paper cassette on page 357
Pad, separation	RL1-1785-000CN	Internal components (3 of 7) on page 345
Paper delivery assembly	RM1-4873-000CN	Internal components (5 of 7) on page 349
Paper feed guide assembly (simplex and duplex products) ²	RM1-4838-000CN	Internal components (6 of 7) on page 351
Paper feed guide assembly (simplex and duplex products) ²	RM1-4838-000CN	Internal components (7 of 7) on page 353
Paper input cassette	RM1-4860-000CN	Assembly locations on page 337
Paper re-pickup guide assembly	RM1-4877-000CN	Internal components (7 of 7) on page 353
Pickup roller assembly	RM1-4426-000CN	Internal components (3 of 7) on page 345
Power supply sub PCA	RM1-5303-000CN	PCA locations on page 355
Rear door assembly	RM1-4878-000CN	Internal components (7 of 7) on page 353
Rear door rib assembly	RM1-4876-000CN	Internal components (7 of 7) on page 353
Reverse drive assembly	RM1-4880-000CN	Internal components (7 of 7) on page 353
Roller, paper pickup	RL1-1802-000CN	Internal components (2 of 7) on page 343
Scanner assembly, base	CC436-67903	Scanner assembly on page 333
Scanner assembly, business/imaging	CC436-67902	Scanner assembly on page 333
Separation roller assembly	RM1-4840-000CN	Internal components (3 of 7) on page 345
Speaker (not shown)	Q3948-60113	Assembly locations on page 337
Stopper, door, rear	RC2-3598-000CN	Internal components (6 of 7) on page 351
Upper cover assembly	RM1-4911-000CN	External panels and covers on page 339

Numerical parts list

Table 8-17 Numerical parts list

Part number	Description	Table and page
5851-3054	DAA flat flexible cable (not shown)	Assembly locations on page 337
5851-3055	Memory card cable (not shown)	Assembly locations on page 337
5851-3375	Fax insulator (not shown)	Assembly locations on page 337
5851-3580	ADF pickup roller assembly	Scanner assembly on page 333
9170-2452	Core ferrite (not shown)	Assembly locations on page 337
CB500-67902	Optional 250-sheet paper feeder (includes cassette)	250-sheet paper cassette on page 357
CC367-60001	DAA (fax card), Americas/Asia (fax models only)	Assembly locations on page 337
CC399-67901	Formatter, base model	Assembly locations on page 337
CC400-67901	Formatter, fax models	Assembly locations on page 337
CC401-67901	Memory-card assembly (memory-card models only)	Assembly locations on page 337
CC430-00027	Formatter bracket, base models (not shown)	Assembly locations on page 337
CC431-00002	Formatter bracket, fax/memory-card models (not shown)	Assembly locations on page 337
CC431-40002	Control-panel bezel, memory-card model, English	Scanner assembly on page 333
CC431-40003	Control-panel bezel, memory-card model, Spanish	Scanner assembly on page 333
CC431-40004	Control-panel bezel, memory-card model, Portuguese	Scanner assembly on page 333
CC431-40005	Control-panel bezel, memory-card model, German	Scanner assembly on page 333
CC431-40006	Control-panel bezel, memory-card model, French	Scanner assembly on page 333
CC431-40007	Control-panel bezel, memory-card model, Dutch	Scanner assembly on page 333
CC431-40008	Control-panel bezel, memory-card model, Italian	Scanner assembly on page 333
CC431-40009	Control-panel bezel, memory-card model, Swedish	Scanner assembly on page 333
CC431-40010	Control-panel bezel, memory-card model, Norwegian	Scanner assembly on page 333

Table 8-17 Numerical parts list (continued)

Part number	Description	Table and page
CC431-40011	Control-panel bezel, memory-card model, Finnish	Scanner assembly on page 333
CC431-40012	Control-panel bezel, memory-card model, Danish	Scanner assembly on page 333
CC431-40013	Control-panel bezel, memory-card model, Russian	Scanner assembly on page 333
CC431-40014	Control-panel bezel, memory-card model, Czech	Scanner assembly on page 333
CC431-40015	Control-panel bezel, memory-card model, Hungarian	Scanner assembly on page 333
CC431-40016	Control-panel bezel, memory-card model, Polish	Scanner assembly on page 333
CC431-40017	Control-panel bezel, memory-card model, Slovak	Scanner assembly on page 333
CC431-40018	Control-panel bezel, memory-card model, Turkish	Scanner assembly on page 333
CC431-40019	Control-panel bezel, memory-card model, Greek	Scanner assembly on page 333
CC431-40020	Control-panel bezel, memory-card model, Hebrew	Scanner assembly on page 333
CC431-40021	Control-panel bezel, memory-card model, Arabic	Scanner assembly on page 333
CC431-40022	Control-panel bezel, memory-card model, Chinese, traditional	Scanner assembly on page 333
CC431-40023	Control-panel bezel, memory-card model, Korean	Scanner assembly on page 333
CC431-40024	Control-panel bezel, memory-card model, Chinese, simplified	Scanner assembly on page 333
CC431-40025	Control-panel bezel, memory-card model, Thai	Scanner assembly on page 333
CC431-40026	Control-panel bezel, memory-card model, Vietnamese	Scanner assembly on page 333
CC431-60101	Control-panel assembly, Western, fax/memory-card models	Scanner assembly on page 333
CC431-60119	ADF input tray	Scanner assembly on page 333
CC434-00006	Control-panel overlay, base model, Spanish	Scanner assembly on page 333
CC434-00007	Control-panel overlay, base model, Portuguese	Scanner assembly on page 333
CC434-00008	Control-panel overlay, base model, German	Scanner assembly on page 333
CC434-00009	Control-panel overlay, base model, French	Scanner assembly on page 333

Table 8-17 Numerical parts list (continued)

Part number	Description	Table and page
CC434-00010	Control-panel overlay, base model, Dutch	Scanner assembly on page 333
CC434-00011	Control-panel overlay, base model, Italian	Scanner assembly on page 333
CC434-00012	Control-panel overlay, base model, Swedish	Scanner assembly on page 333
CC434-00013	Control-panel overlay, base model, Norwegian	Scanner assembly on page 333
CC434-00014	Control-panel overlay, base model, Finnish	Scanner assembly on page 333
CC434-00015	Control-panel overlay, base model, Danish	Scanner assembly on page 333
CC434-00016	Control-panel overlay, base model, Russian	Scanner assembly on page 333
CC434-00017	Control-panel overlay, base model, Czech	Scanner assembly on page 333
CC434-00018	Control-panel overlay, base model, Hungarian	Scanner assembly on page 333
CC434-00019	Control-panel overlay, base model, Polish	Scanner assembly on page 333
CC434-00020	Control-panel overlay, base model, Slovak	Scanner assembly on page 333
CC434-00021	Control-panel overlay, base model, Turkish	Scanner assembly on page 333
CC434-00022	Control-panel overlay, base model, Greek	Scanner assembly on page 333
CC434-00023	Control-panel overlay, base model, Hebrew	Scanner assembly on page 333
CC434-00024	Control-panel overlay, base model, Arabic	Scanner assembly on page 333
CC434-00025	Control-panel overlay, base model, Chinese, traditional	Scanner assembly on page 333
CC434-00026	Control-panel overlay, base model, Korean	Scanner assembly on page 333
CC434-00027	Control-panel overlay, base model, Chinese, simplified	Scanner assembly on page 333
CC434-00028	Control-panel overlay, base model, Thai	Scanner assembly on page 333
CC434-00029	Control-panel overlay, base model, Vietnamese	Scanner assembly on page 333
CC434-60101	Control-panel assembly, Western, base model	Scanner assembly on page 333
CC434-60102	Control-panel assembly, Asian	Scanner assembly on page 333

Table 8-17 Numerical parts list (continued)

Part number	Description	Table and page
CC434-60105	Control-panel overlay, base model, English	Scanner assembly on page 333
CC434-67901	Blank bezel (not shown)	Assembly locations on page 337
CC434-67902	Automatic document feeder (ADF) assembly—simplex models	Scanner assembly on page 333
CC435-00001	Memory card bracket (not shown)	Assembly locations on page 337
CC435-40001	Memory card cable guide (not shown)	Assembly locations on page 337
CC435-67901	Memory card bezel (not shown)	Assembly locations on page 337
CC436-40003	Control-panel bezel, fax model, English	Scanner assembly on page 333
CC436-40004	Control-panel bezel, fax model, Spanish	Scanner assembly on page 333
CC436-40005	Control-panel bezel, fax model, Portuguese	Scanner assembly on page 333
CC436-40006	Control-panel bezel, fax model, German	Scanner assembly on page 333
CC436-40007	Control-panel bezel, fax model, French	Scanner assembly on page 333
CC436-40008	Control-panel bezel, fax model, Dutch	Scanner assembly on page 333
CC436-40009	Control-panel bezel, fax model, Italian	Scanner assembly on page 333
CC436-40010	Control-panel bezel, fax model, Swedish	Scanner assembly on page 333
CC436-40011	Control-panel bezel, fax model, Norwegian	Scanner assembly on page 333
CC436-40012	Control-panel bezel, fax model, Finnish	Scanner assembly on page 333
CC436-40013	Control-panel bezel, fax model, Danish	Scanner assembly on page 333
CC436-40014	Control-panel bezel, fax model, Russian	Scanner assembly on page 333
CC436-40015	Control-panel bezel, fax model, Czech	Scanner assembly on page 333
CC436-40016	Control-panel bezel, fax model, Hungarian	Scanner assembly on page 333
CC436-40017	Control-panel bezel, fax model, Polish	Scanner assembly on page 333
CC436-40018	Control-panel bezel, fax model, Slovak	Scanner assembly on page 333

Table 8-17 Numerical parts list (continued)

Part number	Description	Table and page
CC436-40019	Control-panel bezel, fax model, Turkish	Scanner assembly on page 333
CC436-40020	Control-panel bezel, fax model, Greek	Scanner assembly on page 333
CC436-40021	Control-panel bezel, fax model, Hebrew	Scanner assembly on page 333
CC436-40022	Control-panel bezel, fax model, Arabic	Scanner assembly on page 333
CC436-40023	Control-panel bezel, fax model, Chinese, traditional	Scanner assembly on page 333
CC436-40024	Control-panel bezel, fax model, Korean	Scanner assembly on page 333
CC436-40025	Control-panel bezel, fax model, Chinese, simplified	Scanner assembly on page 333
CC436-40026	Control-panel bezel, fax model, Thai	Scanner assembly on page 333
CC436-40027	Control-panel bezel, fax model, Vietnamese	Scanner assembly on page 333
CC436-67901	Automatic document feeder (ADF) assembly—duplex models	Scanner assembly on page 333
CC436-67902	Scanner assembly, business/imaging	Scanner assembly on page 333
CC436-67903	Scanner assembly, base	Scanner assembly on page 333
CC514-60002	DAA (fax card), Europe (fax models only)	Assembly locations on page 337
CE684-67901	Formatter, business	Assembly locations on page 337
Not orderable	Link, guide ¹	Internal components (6 of 7) on page 351
Not orderable	Link, guide ¹	Internal components (7 of 7) on page 353
Q3948-60113	Speaker (not shown)	Assembly locations on page 337
RC2-2014-000CN	Cover, holder	Internal components (3 of 7) on page 345
RC2-3598-000CN	Stopper, door, rear	Internal components (6 of 7) on page 351
RC2-3599-000CN	Cap, link	Internal components (6 of 7) on page 351
RC2-3604-000CN	Door, rear	Internal components (6 of 7) on page 351
RC2-3612-000CN	Button, power	External panels and covers on page 339

Table 8-17 Numerical parts list (continued)

Part number	Description	Table and page
RC2-3614-000CN	Cover, DIMM	External panels and covers on page 339
RC2-3748-000CN	Cover, lower rear	Internal components (7 of 7) on page 353
RC2-3750-000CN	Link, door	Internal components (7 of 7) on page 353
RC2-3774-000CN	Cap, link	Internal components (7 of 7) on page 353
RC2-3912-000CN	Cover, right	External panels and covers on page 339
RC2-3913-000CN	Cover, left	External panels and covers on page 339
RC2-3914-000CN	Cover, right front	External panels and covers on page 339
RC2-3915-000CN	Cover, right front, lower	External panels and covers on page 339
RC2-3918-000CN	Cover, IOT	External panels and covers on page 339
RK2-2276-000CN	Fan	Internal components (5 of 7) on page 349
RK2-2302-000CN	Cable, flat	Internal components (4 of 7) on page 347
RL1-1785-000CN	Pad, separation	Internal components (3 of 7) on page 345
RL1-1800-000CN	Motor, DC	Internal components (4 of 7) on page 347
RL1-1802-000CN	Roller, paper pickup	Internal components (2 of 7) on page 343
RL1-1822-000CN	Cover, rear	Internal components (6 of 7) on page 351
RL1-1823-000CN	Cover, upper rear	Internal components (7 of 7) on page 353
RM1-4426-000CN	Pickup roller assembly	Internal components (3 of 7) on page 345
RM1-4836-000CN	Cartridge tray assembly	Internal components (1 of 7) on page 341
RM1-4838-000CN	Paper feed guide assembly (simplex and duplex products) ²	Internal components (6 of 7) on page 351
RM1-4838-000CN	Paper feed guide assembly (simplex and duplex products) ²	Internal components (7 of 7) on page 353
RM1-4839-000CN	MP paper pickup assembly (Tray 1)	Internal components (3 of 7) on page 345
RM1-4840-000CN	Separation roller assembly	Internal components (3 of 7) on page 345

Table 8-17 Numerical parts list (continued)

Part number	Description	Table and page
RM1-4848-000CN	Front door assembly	External panels and covers on page 339
RM1-4850-000CN	Color misregistration sensor assembly	Internal components (2 of 7) on page 343
RM1-4852-000CN	Intermediate transfer belt assembly	Internal components (2 of 7) on page 343
RM1-4860-000CN	Paper input cassette	Assembly locations on page 337
RM1-4873-000CN	Paper delivery assembly	Internal components (5 of 7) on page 349
RM1-4876-000CN	Rear door rib assembly	Internal components (7 of 7) on page 353
RM1-4877-000CN	Paper re-pickup guide assembly	Internal components (7 of 7) on page 353
RM1-4878-000CN	Rear door assembly	Internal components (7 of 7) on page 353
RM1-4879-000CN	Duplexing-feed guide assembly	Internal components (7 of 7) on page 353
RM1-4880-000CN	Reverse drive assembly	Internal components (7 of 7) on page 353
RM1-4901-000CN	Optional 250-sheet paper cassette	250-sheet paper cassette on page 357
RM1-4911-000CN	Upper cover assembly	External panels and covers on page 339
RM1-5294-000CN	High-voltage power supply PCA	PCA locations on page 355
RM1-5303-000CN	Power supply sub PCA	PCA locations on page 355
RM1-5431-000CN	DC controller PCA	PCA locations on page 355
RM1-6740-000CN	Fuser assembly (110-127 V)	Assembly locations on page 337
RM1-6740-000CN	Fuser assembly (110-127 V)	Internal components (5 of 7) on page 349
RM1-6741-000CN	Fuser assembly (220-240 V)	Assembly locations on page 337
RM1-6741-000CN	Fuser assembly (220-240 V)	Internal components (5 of 7) on page 349

