

8

Parts and diagrams

Chapter contents

Introduction	256
Ordering parts	256
Consumables, supplies, accessories, FRUs, and documentation	257
Common hardware	260
Illustrations and parts lists	261
External covers and panels	261
Left door and diverter	263
Right cover assembly	264
Internal	266
Internal components	266
Drum feed drive assembly	274
Fuser delivery drive assembly	275
Cartridge lifter assembly	276
500-sheet trays (tray 2 and tray 3)	277
Paper input unit	278
Registration assembly	279
Transfer roller assembly	280
Delivery assembly	281
PCA assembly location	283
Tray 4	284
Tray 4 main body	284
Tray 4 drive assembly	288
Tray 4 PCA location	289
Tray 1	290
Alphabetical parts list	291
Numerical parts list	296

Introduction

The figures in this chapter illustrate the major subassemblies in the printer and their component parts. A table accompanies each exploded-view diagram. Each table lists the item number for the replaceable part, the associated part number for the item, the quantity, and a description of the part.

Note

When looking for a part number, pay careful attention to the voltage listed in the description column to make sure that the part number selected is for the correct printer model.

Ordering parts

All standard part numbers listed are stocked and can be ordered from HP's Customer Services and Support Organization (CCSO). See "Parts and supplies" in chapter 1.

Consumables and accessories like those listed in table 29 can be ordered from Hewlett-Packard. See "Parts and supplies" in chapter 1.

Consumables, supplies, accessories, FRUs, and documentation

Table 29. Consumables, supplies, accessories, FRUs, and documentation

Product number	Service number	Exchange number	Description	Printer
Consumables				
C8543X			Print cartridge	
C8085A	C8085-60541		Staple cartridge (3,000-sheet stapler/stacker)	
C8088B	C8088-60541		Staple cartridge (multifunction finisher)	
Supplies				
C9152A	C9152-67904	C9152-69004	PM kit/110 V	
C9153A	C9153-67904	C9153-69004	PM kit/220 V	
FRUs				
C7860A	C8519-67901	C8519-69001	Formatter assembly	HP LaserJet 9000
	Q3721-67901	Q3721-69001	Formatter assembly	HP LaserJet 9050 base
	Q3722-67901	Q3722-69001	Formatter assembly	HP LaserJet 9050n and 9050dn
	Q3726-67905	Q3726-69005	Formatter assembly	HP LaserJet 9040mfp and 9050mfp
RG5-5750-170CN		C8519-69026	Fuser assembly, 110 V	
RG5-5751-170CN		C8519-69027	Fuser assembly, 220 V	
RG5-5681-000CN		C8519-69025	Paper input unit (PIU)	
RG5-5778-120CN		C8519-69028	DC controller	HP LaserJet 9000
RG5-7780-000CN		Q3721-69004	DC controller	HP LaserJet 9050
RG5-5728-050CN		C8519-69015	High-voltage power supply	
RG5-5730-000CN		C8519-69007	Low-voltage power supply, 110 V	HP LaserJet 9000
RG5-7778-000CN		Q3721-69005	Low-voltage power supply, 110 V	HP LaserJet 9050
RG5-5731-000CN		C8519-69008	Low-voltage power supply, 220 V	HP LaserJet 9000
RG5-7779-000CN		Q3721-69006	Low-voltage power supply, 220 V	HP LaserJet 9050
Q3721-67902		Q3721-69002	Control panel assembly	HP LaserJet 9050
Q3721-67907		Q3721-69007	Firmware compact flash	HP LaserJet 9050
RG5-5681-030CN		C8519-69029	Paper input unit (PIU)	
RG5-5663-000CN		C8519-69012	Registration assembly	
Accessories				
			Blank 16MB flash DIMM	
C9147A	C9147-67908	C9147-69019	16 MB flash firmware DIMM	HP LaserJet 9000
C7843A	C7843-67901		16 MB DIMM	HP LaserJet 9000

Table 29. Consumables, supplies, accessories, FRUs, and documentation (continued)

Product number	Service number	Exchange number	Description	Printer
C7845A	C7845-67901		32 MB DIMM	HP LaserJet 9000
Q1887A	C7846-67901		64 MB DIMM	HP LaserJet 9000
C9121A	C9121-67901		128 MB DIMM	HP LaserJet 9000
	Q3982-67951		32MB DDR DIMM	HP LaserJet 9050 series only
	Q2625-67951		64MB DDR DIMM	HP LaserJet 9050 series only
	Q2626-67951		128MB DDR DIMM	HP LaserJet 9050 series only
	Q2627-67951		256MB DDR DIMM	HP LaserJet 9050 series only
	Q2628-67951		512MB DDR DIMM	HP LaserJet 9050 series only
	Q2634-67951		16 MB Flash Memory	HP LaserJet 9050 series only
	Q2635-67951		32 MB Flash Memory	HP LaserJet 9050 series only
	Q2636-67951		64 MB Flash Memory	HP LaserJet 9050 series only
C4103A	C4103-67901		HP Fast InfraRed Connect pod	
C4293A			Font DIMM—simplified Chinese	
C4292A			Font DIMM—traditional Chinese	
J6054A	J6054-61002		Hard disk	
J4169A	J4169-61001	J4169-69001	HP Jetdirect 610N Fast Ethernet (10/100 Base-TX)	
J4135A			HP Jetdirect Connectivity (USB)	
C8568A	C8568-67902	C8568-69002	Tray 1	
C8531A	C8531-67902	C8531-69004	2,000-sheet feeder (tray 4)	
RG5-6212-300CN			2,000-sheet feeder (tray 4) cassette only	
RG5-6225-050CN		C8531-69012	Vertical transfer assembly	
RG5-6228-040CN		C8531-69009	Paper deck drive assembly	
RG5-6208-150CN		C8531-69008	Paper pickup assembly	
C8085A			3,000-sheet stapler/stacker	
C8088B			Multifunction finisher	
Q8532A			8-bin mailbox	HP LaserJet 9050 series only
C8532A	C8532-67902	C8532-69002	Duplexer	
Documentation				
	5963-7863		<i>HP LaserJet Printer Family Print Media Guide</i>	
	5969-6818		<i>HP Jetdirect Print Server Administrator's Guide</i>	

Table 29. Consumables, supplies, accessories, FRUs, and documentation (continued)

Product number	Service number	Exchange number	Description	Printer
	5969-3412		<i>HP Jetdirect Print Server Jetadmin Setup Guide</i>	
	Q5693-90002		<i>Paper Handling Accessories Service Addendum</i>	
	C8519-90901		<i>HP LaserJet 9000 Start Guide— U.S.</i>	
	C8519-90902		<i>HP LaserJet 9000 Start Guide— Americas</i>	
	C8519-90903		<i>HP LaserJet 9000 Start Guide— West Europe</i>	
	C8519-90904		<i>HP LaserJet 9000 Start Guide— North Europe</i>	
	C8519-90905		<i>HP LaserJet 9000 Start Guide— East Europe</i>	
	C8519-90906		<i>HP LaserJet 9000 Start Guide— Asia</i>	
URL: www.hp.com/support/lj9000			<i>HP LaserJet 9000 Use Guide</i>	
	Q3721-90906		<i>HP LaserJet 9050 Use Guide</i>	
	Q3721-90928		<i>HP LaserJet 9000 and 9050 Series printers Service Guide</i>	
	C8532-90901		<i>HP Duplexer Install Guide</i>	
	C8568-90901		<i>HP Tray 1 Install Guide</i>	
	C8531-90901		<i>HP 2,000-sheet feeder Install Guide</i>	
	C8084-90900		<i>HP Stapler/stacker and Stacker Install Guide</i>	
	C8088-90903		<i>HP Multifunction Finisher Install Guide</i>	
	C8088-90902		<i>HP Multifunction Finisher Service Guide</i>	
	C8088-90901		<i>HP Multifunction Finisher Use Guide</i>	
	C8519-60102		<i>HP LaserJet 9000 Series Printer Software CD-ROM—Americas</i>	
	C8519-60104		<i>HP LaserJet 9000 Series Printer Software CD-ROM—Europe</i>	
	C8519-60105		<i>HP LaserJet 9000 Series Printer Software CD-ROM—Asia</i>	
	C8519-60106		<i>HP LaserJet 9000 Series Printer Service CD-ROM (English version)</i>	
	C9152-90901		PM kit installation guide	

Common hardware

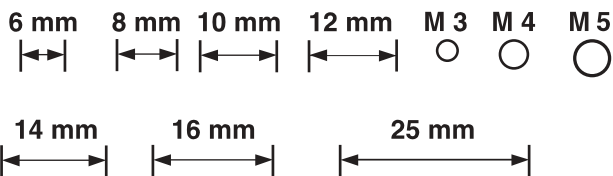


Table 30. Hardware table

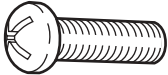

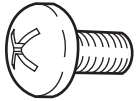
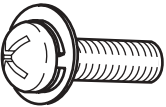

Example	Description	Sizes	Uses
	Screw	M3 by 6 mm M3 by 8 mm M4 by 8 mm M4 by 10 mm	Various
	Screw, tapping	M3 by 6 mm M3 by 8 mm M3 by 30 mm M4 by 6 mm M4 by 12 mm	To hold plastic to metal (excluding the control panel)
	Screw, pan head	M3 by 6 mm	To hold plastic to plastic
	Screw, w/washer	M3 by 6 mm M3 by 8 mm M3 by 7 mm M4 by 6 mm M4 by 12 mm	To hold plastic to metal (excluding the covers)
	E-ring	XD9-0136-000CN XD9-0134-000CN	To hold gears in place

Table 31. Common torque values

Material	HP recommended torque value
Plastic to metal	5.5 lb-in
Metal to metal	10 lb-in
PCBA	5.5 lb-in
Plastic to plastic	5.5 lb-in

Illustrations and parts lists

The following illustrations and parts tables list the field replaceable units (FRUs) for this printer. Two tables at the end of this chapter list all of the parts shown in this chapter: table 53, "Alphabetical parts list," on page 291 lists the parts in alphabetical order, and table 54, "Numerical parts list," on page 296 lists the parts in numerical order by part number. Both tables list the appropriate figure in this chapter that shows the part.

Note Parts that have no item number or part number listed are not FRUs and cannot be ordered.

External covers and panels

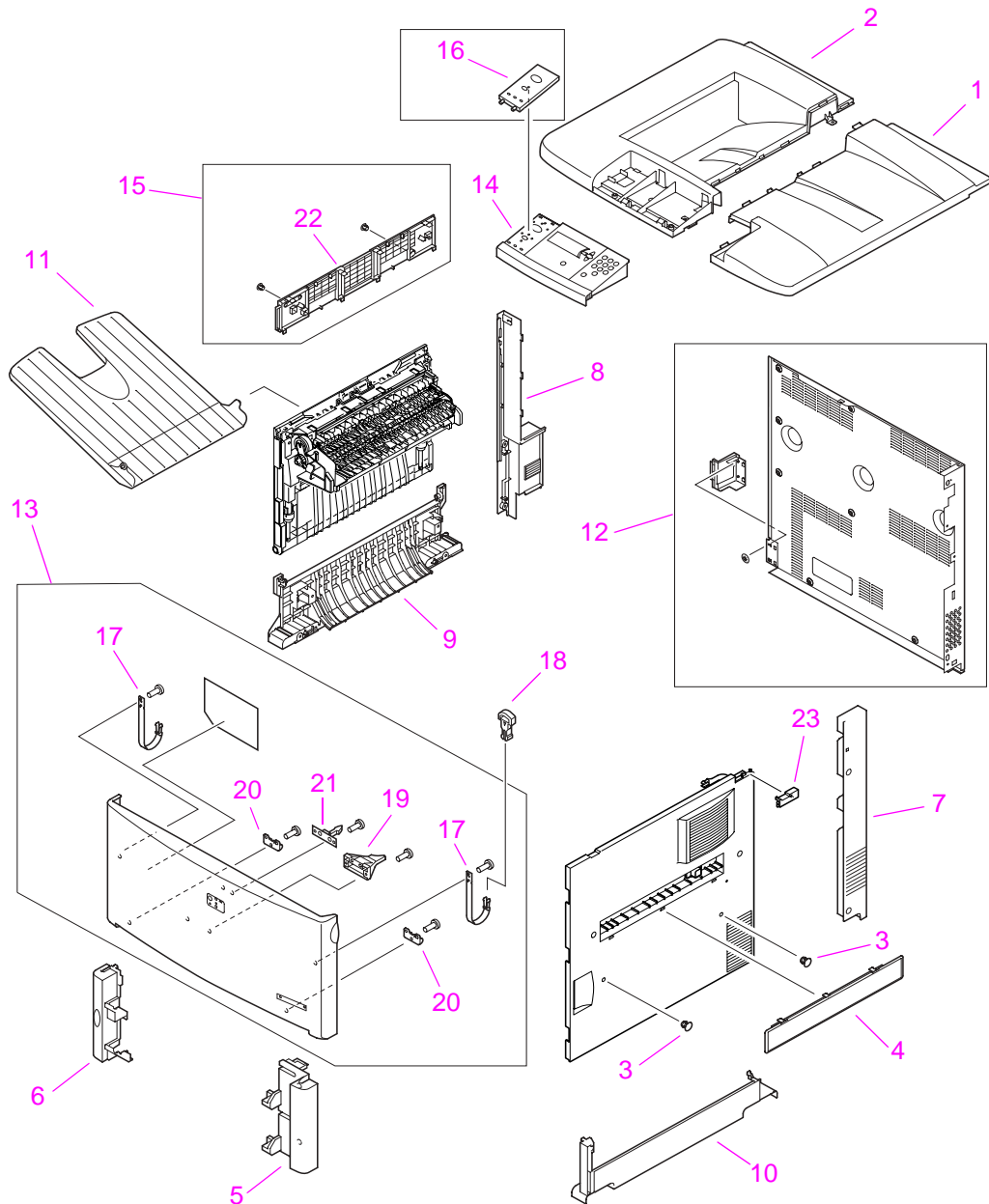


Figure 134. Printer external covers and panels

Table 32. Printer external covers and panels

Ref	Description	9000 part number	9050 part number (if different)	Qty
1	Cover, right top	RB2-5659-000CN		1
2	Cover, left top	RB2-5660-000CN		1
3	Cap, right cover	RB2-5675-000CN		2
4	Cover, tray 1 blanking	RB2-5676-000CN		1
5	Cover, right rail	RB2-5682-000CN		1
6	Cover, left rail	RB2-5683-000CN		1
7	Cover, right back	RB2-5684-000CN		1
8	Cover, left back	RB2-5685-000CN		1
9	Cover, left lower	RB2-5687-000CN		1
10	Cover, right lower	RB2-5689-000CN		1
11	Tray, face-up	RB2-5690-000CN		1
12	Back cover assembly	RG5-5701-000CN		1
13	Front cover assembly	RG5-5702-000CN		1
14	Control panel assembly	RG5-5703-060CN		1
15	Left upper cover assembly	RG5-5705-000CN		1
16	Cover, operation panel, 110 V	RB2-5701-000CN		1
16	Cover, operation panel, 220 V	RB2-5703-000CN		1
17	Tape, cover (retaining strap)	RB2-5653-000CN		2
18	Strap, rock block, retaining clip	RB2-5655-000CN		2
19	Pin	RB2-5656-000CN		1
20	Bushing	RB2-5652-000CN		2
21	Latch, roller-action	RB2-5700-000CN		1
22	Cover, left upper	RB2-6491-000CN		1
23	Plate, lock, right side	RB2-5679-000CN		1

Left door and diverter

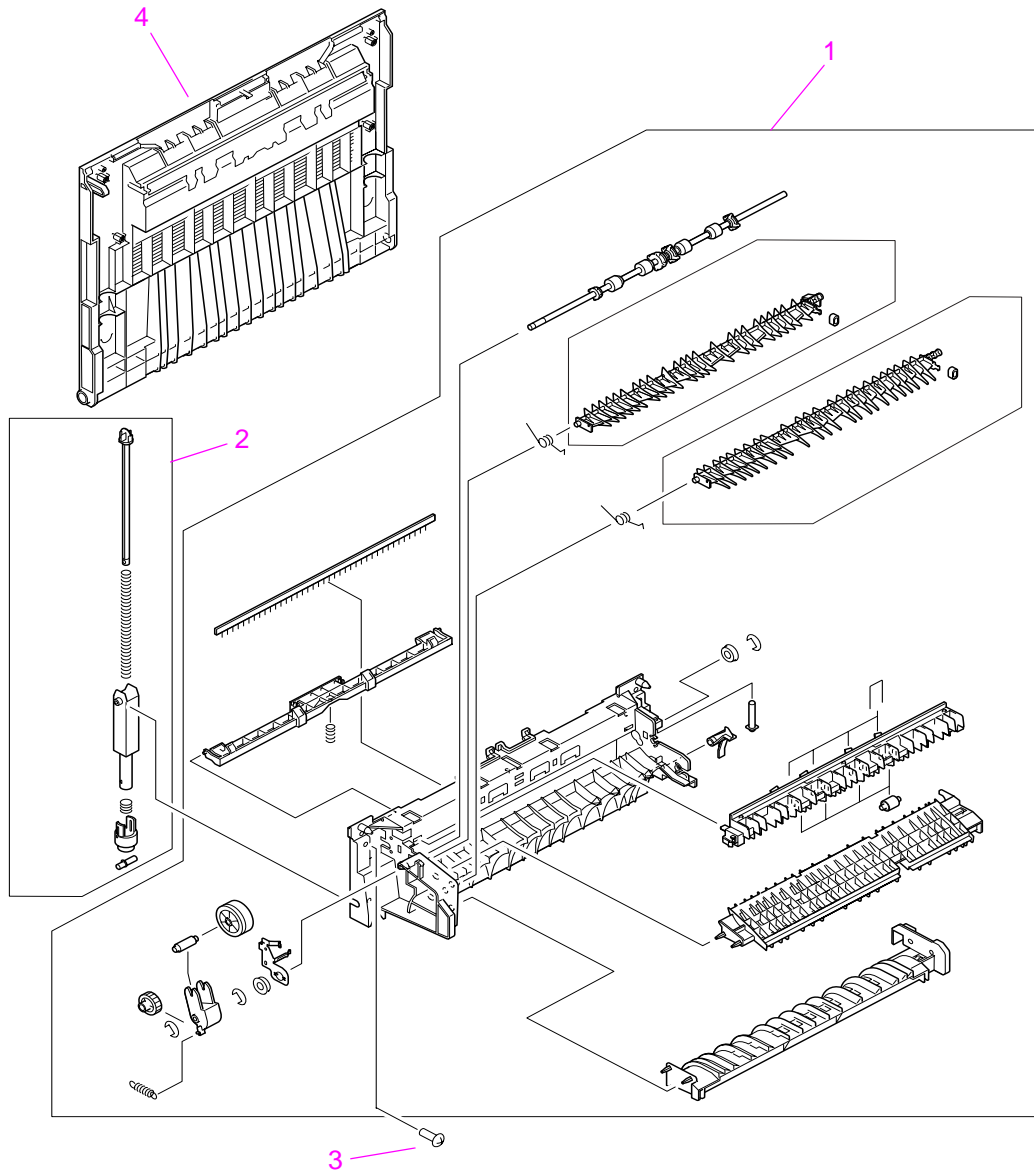


Figure 135. Left door and diverter

Table 33. Left door and diverter

Ref	Description	9000 part number	9050 part number (if different)	Qty
	Left door and diverter	RG5-5646-050CN		1
1	Diverter assembly	RG5-5647-050CN		1
2	Damper assembly	RG5-5648-000CN		2
3	Screw, M4 by 10	XA9-1189-000CN		
4	Cover, left (left door)	RB2-6007-000CN		1

Right cover assembly

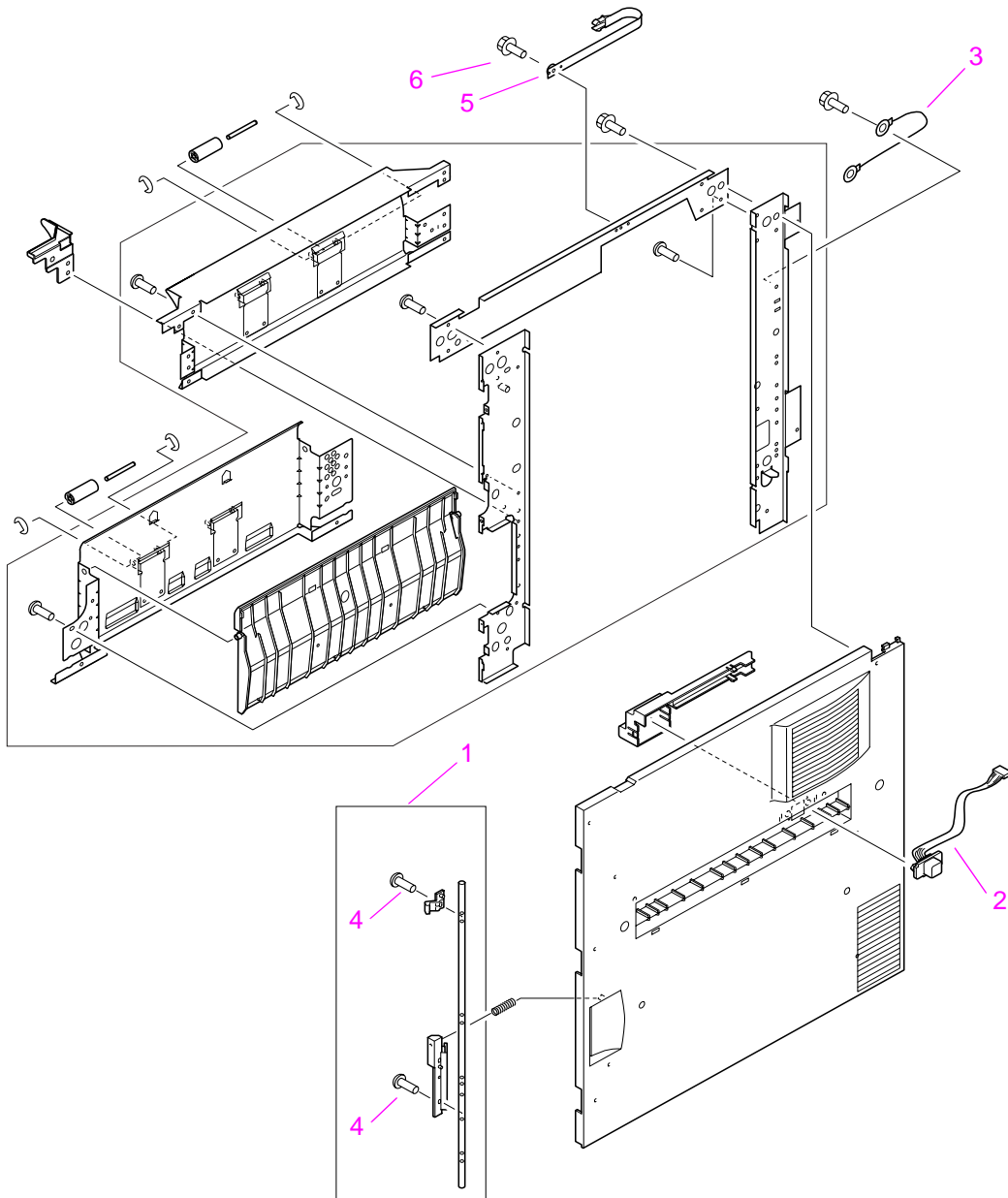


Figure 136. Right cover assembly

Table 34. Right cover assembly

Ref	Description	9000 part number	9050 part number (if different)	Qty
	Right cover assembly	RG5-5737-000CN		1
1	Right cover knob assembly	RG5-5740-000CN		1
2	Cable, tray 1	RG5-5763-000CN		1
3	Grounding cable, tray 1	RG5-5764-000CN		1
4	Screw, M3 by 8	XA9-1200-000CN		
5	Tape, cover (restraining strap)	RB2-5653-000CN		1
6	Screw, M3 by 8, RS	XA9-1276-000CN		

Internal

Internal components

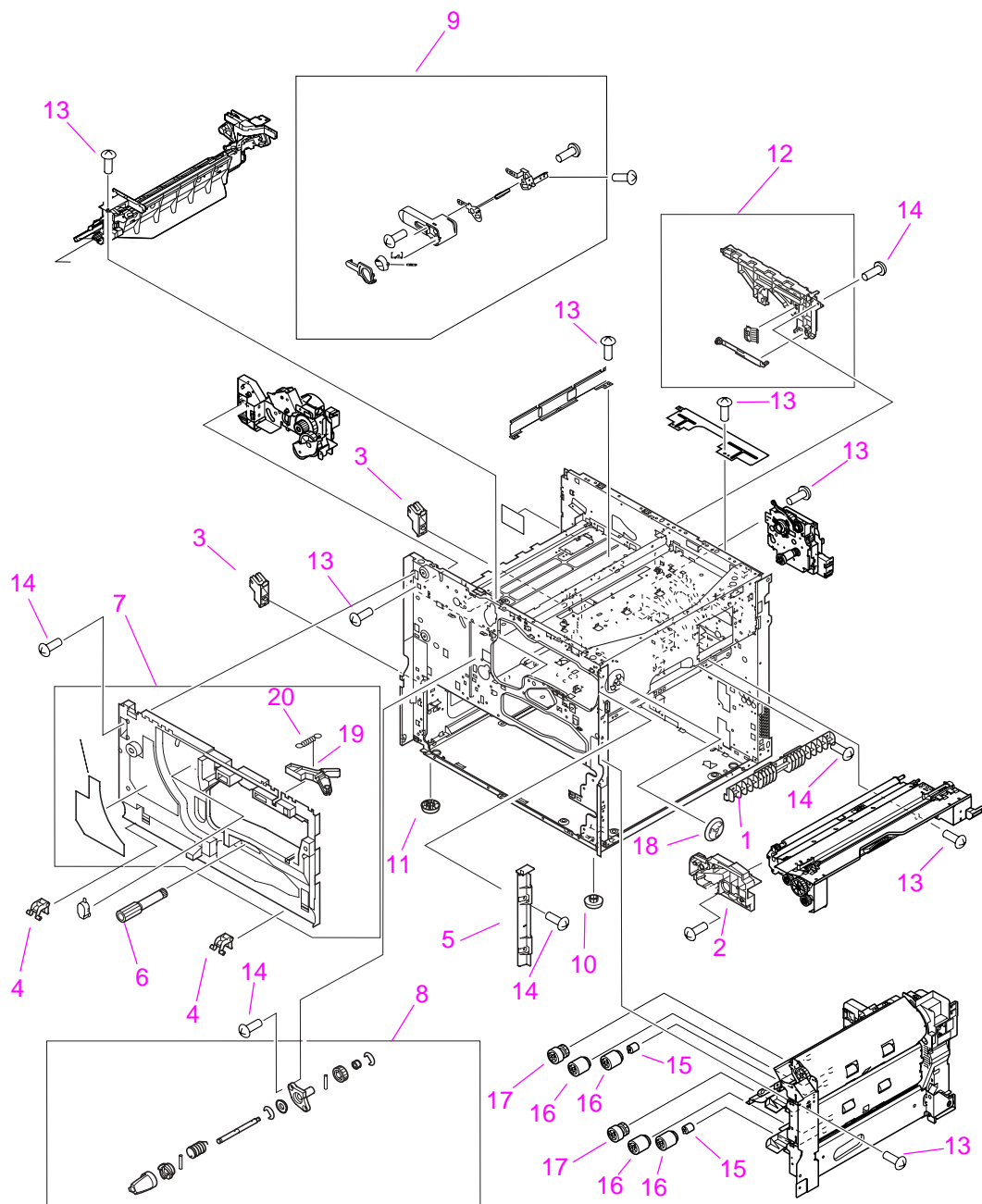


Figure 137. Internal components (1 of 4)

Table 35. Internal components (1 of 4)

Ref	Description	9000 part number	9050 part number (if different)	Qty
1	Guide, pickup	RB2-5522-000CN		1
2	Guide, cartridge	RB2-5526-000CN		1
3	Hinge mount, damper	RB2-5570-020CN		2
4	Hinge arm, front cover	RB2-5654-000CN		2
5	Cover, right door, inside	RB2-5697-000CN		1
6	Knob, registration, jam removal	RB2-5845-000CN		1
7	Front inside cover assembly	RG5-5721-000CN		1
8	Jam clearing assembly, fuser	RG5-5700-000CN		1
9	Lever assembly, cartridge release	RG5-5746-000CN		1
10	Foot, right side	RB1-6421-000CN		2
11	Foot, left side	RB2-5529-000CN		2
12	Guide rail, cartridge	RG5-5718-000CN		1
13	Screw, M3 by 6, RS	XA9-1275-000CN		
14	Screw, M3 by 8, RS	XA9-1276-000CN		
15	Torque limiter, spacer	RB2-5759-000CN		2
16	Roller, feed/separation	RF5-3338-000CN		4
17	Roller, PICK	RF5-3340-000CN		2
18	Collar	RB2-5547-000CN		1
19	Link, connect	RB2-5528-000CN		1
20	Spring, tension	RS6-2285-000CN		1

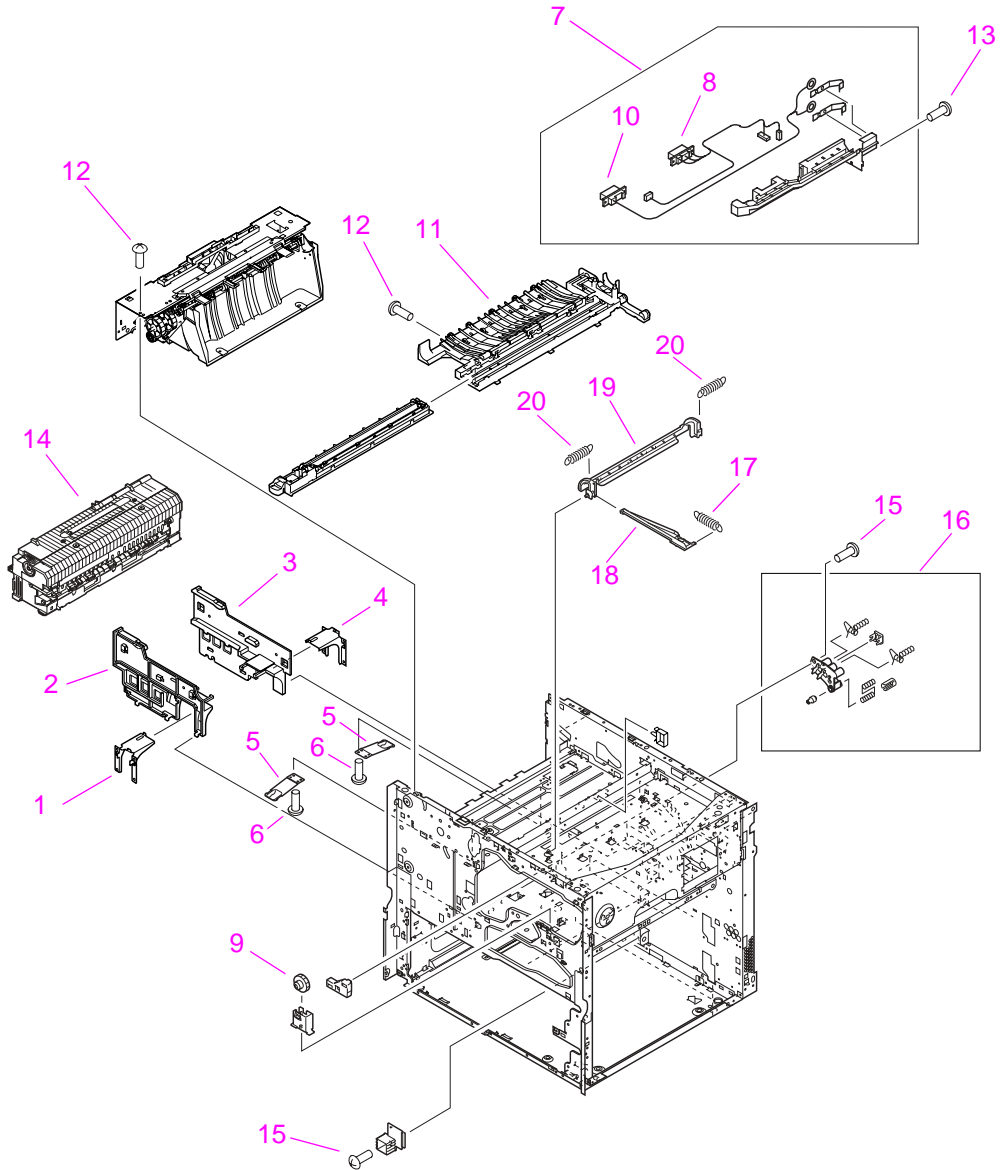


Figure 138. Internal components (2 of 4)

Table 36. Internal components (2 of 4)

Ref	Description	9000 part number	9050 part number (if different)	Qty
1	Front fusing mount	RB2-5517-000CN		1
2	Front fusing rail	RB2-5515-000CN		1
3	Back fusing rail	RB2-5516-000CN		1
4	Back fusing mount	RB2-5518-000CN		1
5	Spring, leaf	RB2-5523-000CN		2
6	Screw, M3 by 6	XA9-1275-000CN		
7	Fuser connector holder assembly	RG5-5724-020CN		1
8	Fuser power cable	RG5-5771-000CN		1
9	Gear, 21T	RS5-0708-000CN		1
10	Fuser high-voltage cable	RG5-5772-000CN		1
11	Feed guide, transfer	RG5-5651-000CN		1
12	Screw, M3 by 6, RS	XA9-1275-000CN		
13	Screw, M3 by 8, RS	XA9-1276-000CN		
14	Fuser assembly, 110 V	RG5-5750-170CN		1
14	Fuser assembly, 220 V	RG5-5751-170CN		1
15	Screw, M3 by 8	XA9-1276-000CN		
16	Toner contact assembly	RG5-5717-000CN		1
17	Spring, tension	RS6-2299-000CN		
18	Arm, shutter	RB2-5639-000CN		1
19	Shutter, laser	RB2-5640-000CN		1
20	Spring, tension	RS6-2296-000CN		2

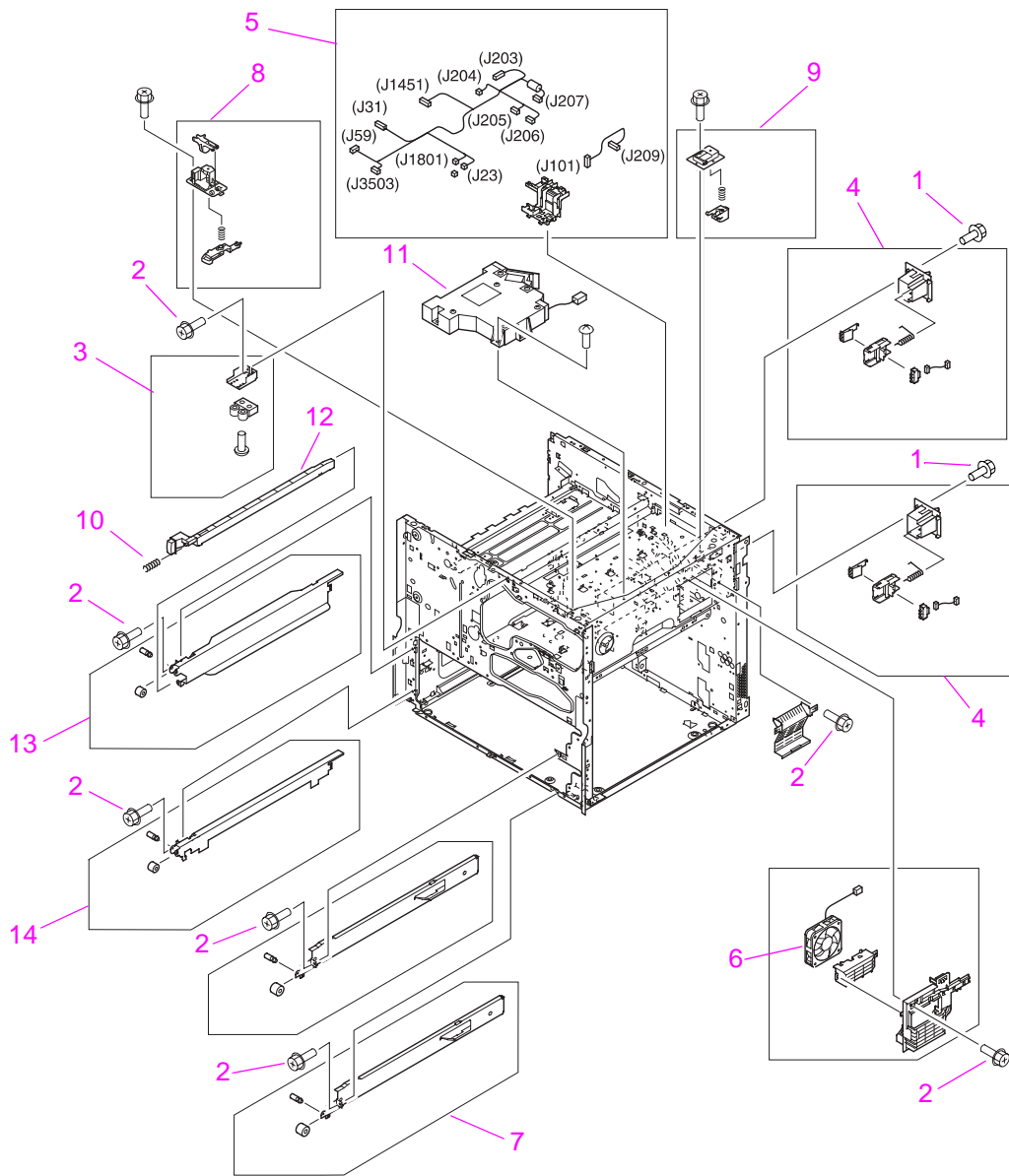


Figure 139. Internal components (3 of 4)

Table 37. Internal components (3 of 4)

Ref	Description	9000 part number	9050 part number (if different)	Qty
1	Screw, M3 by 6, RS	XA9-1275-000CN		
2	Screw, M3 by 8, RS	XA9-1276-000CN		
3	Latch mount assembly	RG5-5704-000CN		1
4	End paper sensor assembly	RG5-5699-000CN		2
5	Upper cable guide assembly	RG5-7787-000CN		1
6	Fan, #5, cartridge fan	RH7-5306-000CN	RG5-5729-000CN	1
7	Right rail assembly	RG5-5715-000CN		2
8	Cartridge, front pressure assembly	RG5-5709-000CN		1
9	Cartridge, back pressure assembly	RG5-5710-000CN		1
10	Spring, compression	RS6-2302-000CN		
11	Laser/scanner assembly	RG5-5826-000CN		1
12	Rod, switch, ON/OFF	RB2-5661-000CN		1
13	Left rail, upper	RG5-5713-000CN		1
14	Left rail, lower	RG5-5714-000CN		1

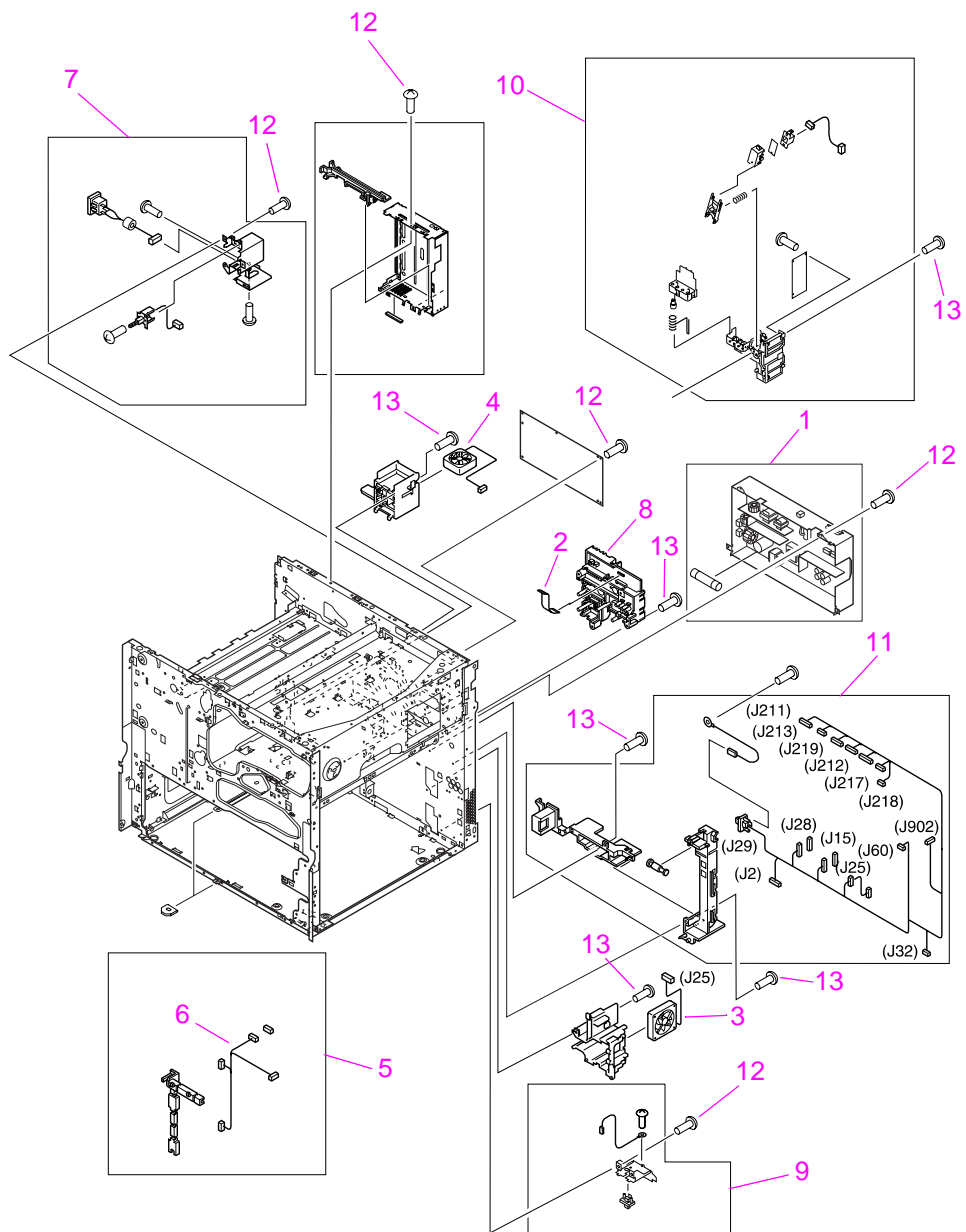


Figure 140. Internal components (4 of 4)

Table 38. Internal components (4 of 4)

Ref	Description	9000 part number	9050 part number (if different)	Qty
1	Low voltage power supply assembly 110 V	RG5-5730-000CN	RG5-7778-000CN	1
1	Low voltage power supply assembly 220 V	RG5-5731-000CN	RG5-7779-000CN	1
2	Cable, HVPS flat ribbon	RH2-5445-000CN		1
3	Fan, #1, power supply	RH7-5294-000CN		1
4	Fan, #2, controller	RH7-5295-000CN	RH7-1623-000CN	1
5	Back cable holder assembly	RG5-5725-030CN	RG5-7786-000CN	1
6	Fan connecting cable	RG5-5759-000CN	RG5-7783-000CN	1
7	Inlet assembly (Power SW 10)	RG5-5727-000CN		1
8	High voltage power supply (HVPS)	RG5-5728-050CN		1
9	Connector assembly	RG5-5779-000CN		1
10	Toner sensor contact with memory (antenna)	RG5-5719-000CN		1
11	Main cable harness assembly	RG5-5722-000CN		1
12	Screw, M3 by 6, RS	XA9-1275-000CN		
13	Screw, M3 by 8, RS	XA9-1276-000CN		

Drum feed drive assembly

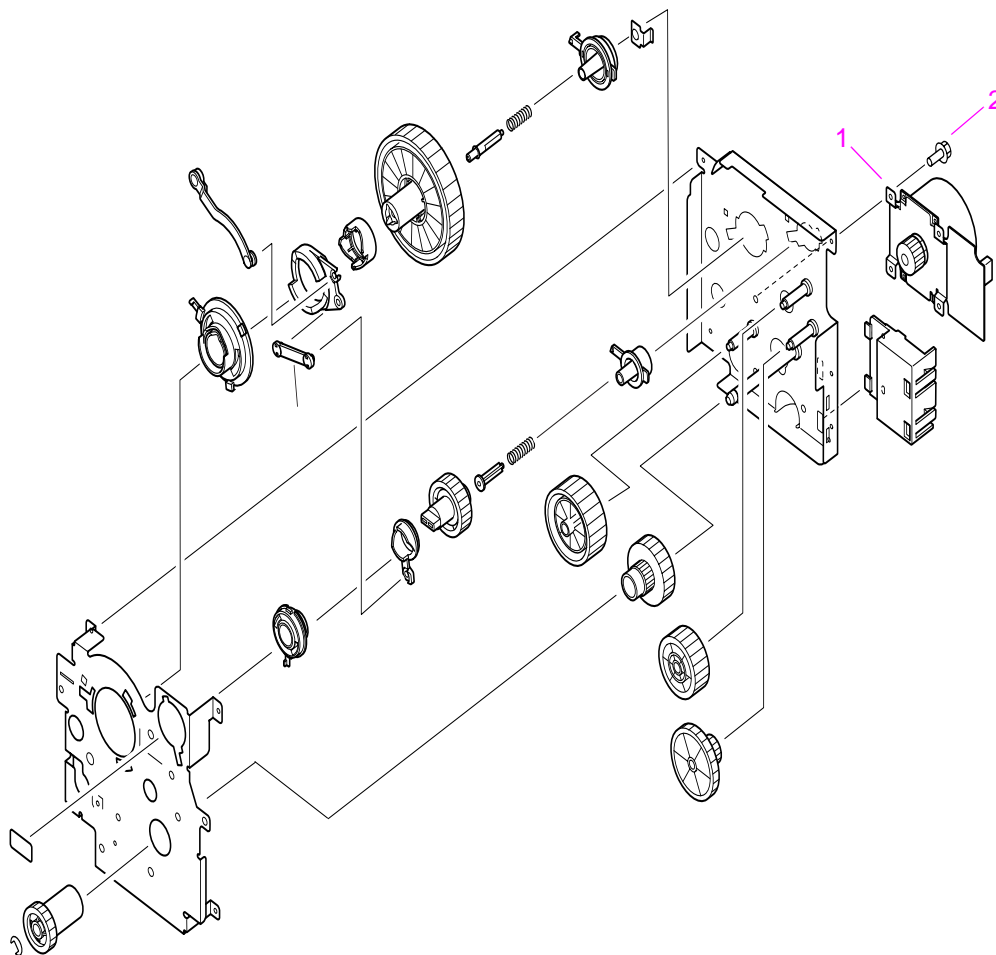


Figure 141. Drum feed drive assembly

Table 39. Drum feed drive assembly

Ref	Description	9000 part number	9050 part number (if different)	Qty
	Drum feed drive assembly	RG5-5656-060CN		1
1	Main motor (M2)	RH7-5287-000CN		1
2	Screw, M3 by 6	XA9-1275-000CN		

Fuser delivery drive assembly

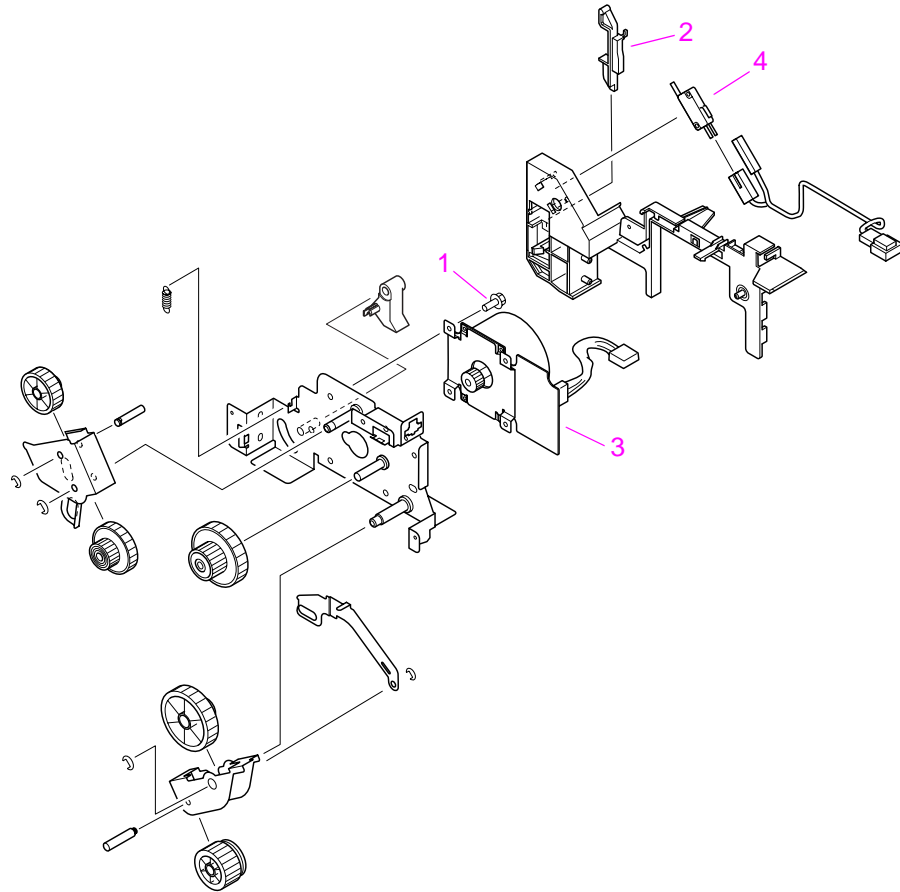


Figure 142. Fuser delivery drive assembly

Table 40. Fuser delivery drive assembly

Ref	Description	9000 part number	9050 part number (if different)	Qty
	Fuser delivery drive assembly	RG5-5659-000CN	RG5-7789-000CN	1
1	Screw, M3 by 6, RS	XA9-1275-000CN		
2	Lever, switch	RB2-6077-000CN		1
3	Motor, DC, 24V (M1)	RG5-5288-000CN	RH7-1622-000CN	1
4	Microswitch (SW1)	WC4-5171-000CN		1

Cartridge lifter assembly

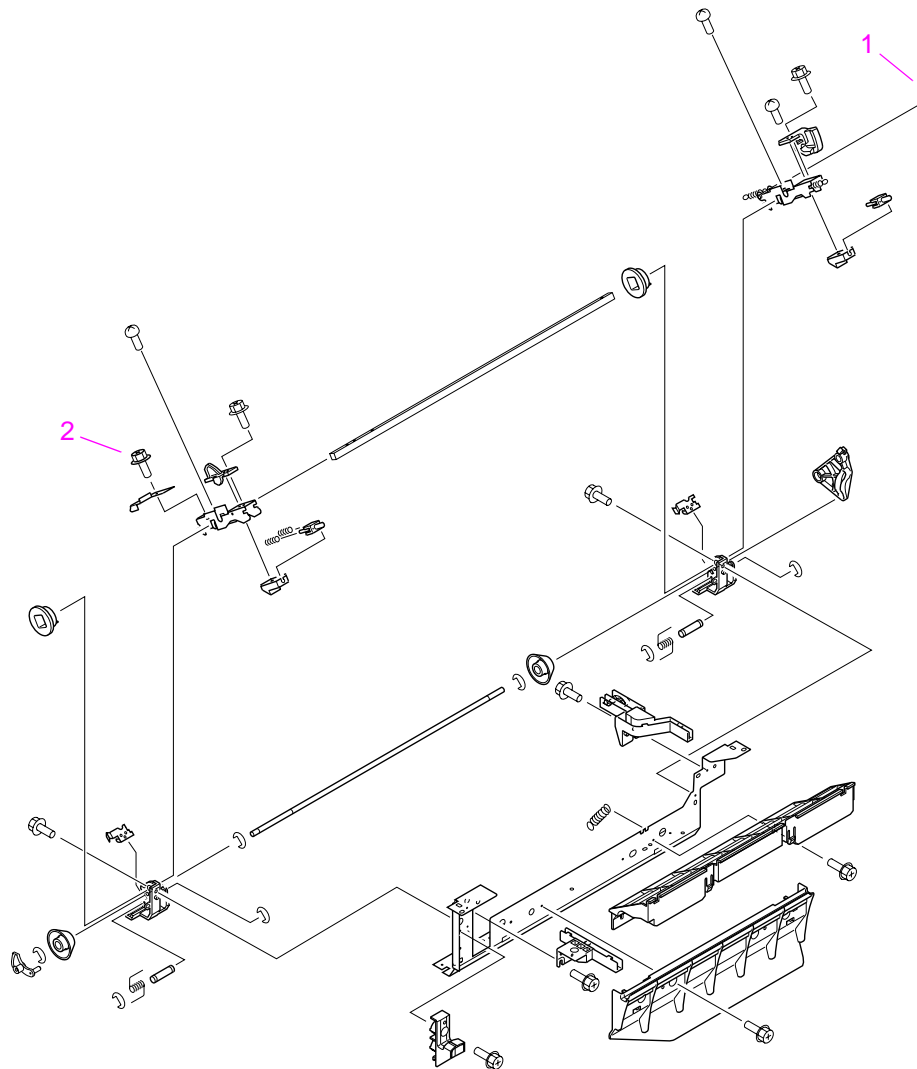


Figure 143. Cartridge lifter assembly

Table 41. Cartridge lifter assembly

Ref	Description	9000 part number	9050 part number (if different)	Qty
	Cartridge lifter assembly	RG5-5741-020CN		1
1	Spring, tension	RS6-2298-000CN		1
2	Screw, M3 by 6	XA9-1275-000CN		

500-sheet trays (tray 2 and tray 3)

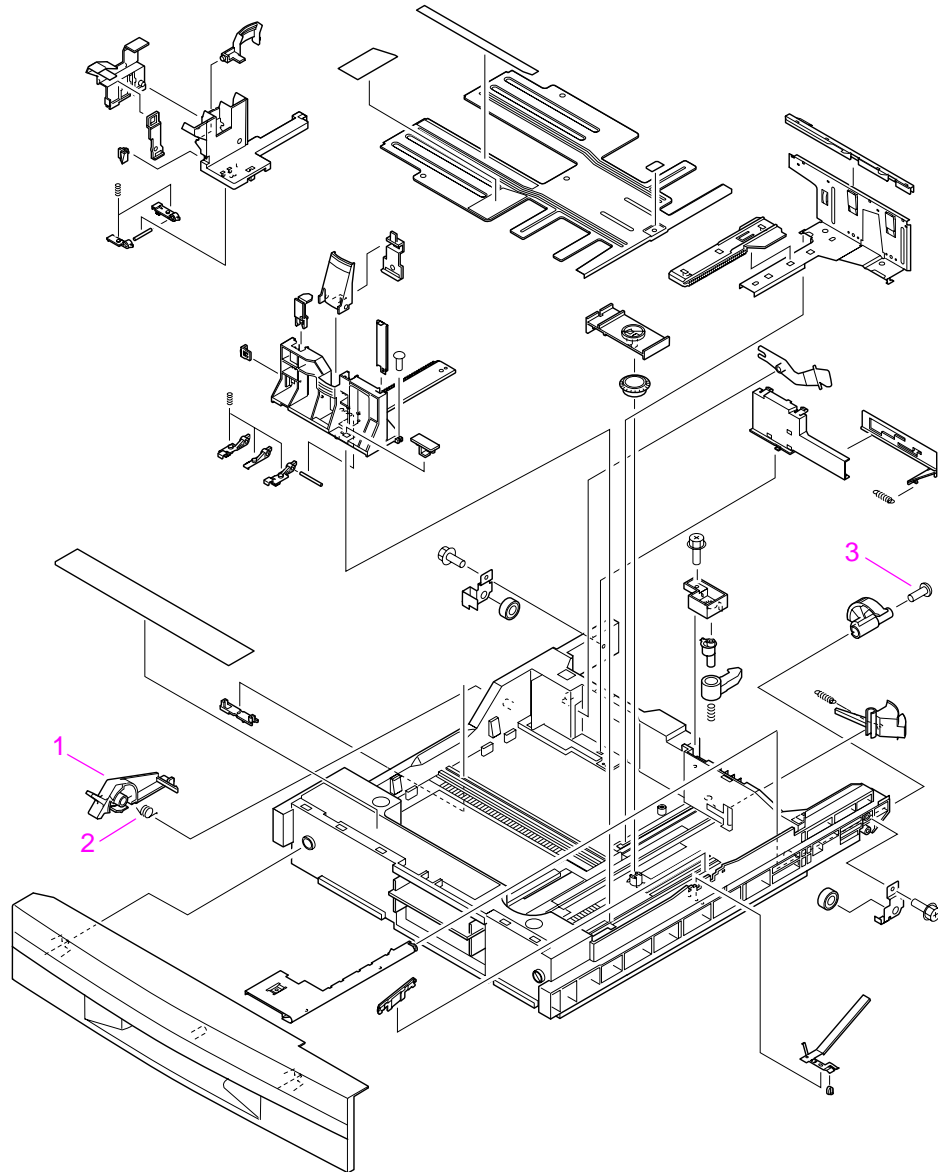


Figure 144. 500-sheet trays (tray 2 and tray 3)

Table 42. 500-sheet trays (tray 2 and tray 3)

Ref	Description	9000 part number	9050 part number (if different)	Qty
	500-sheet trays	RG5-5635-080CN		1
1	Custom/standard switch	RB2-5813-000CN		1
2	Spring, torsion	RB2-5816-000CN		1
3	Screw, W/W, M3 by 29.5	XA9-0668-000CN		

Paper input unit

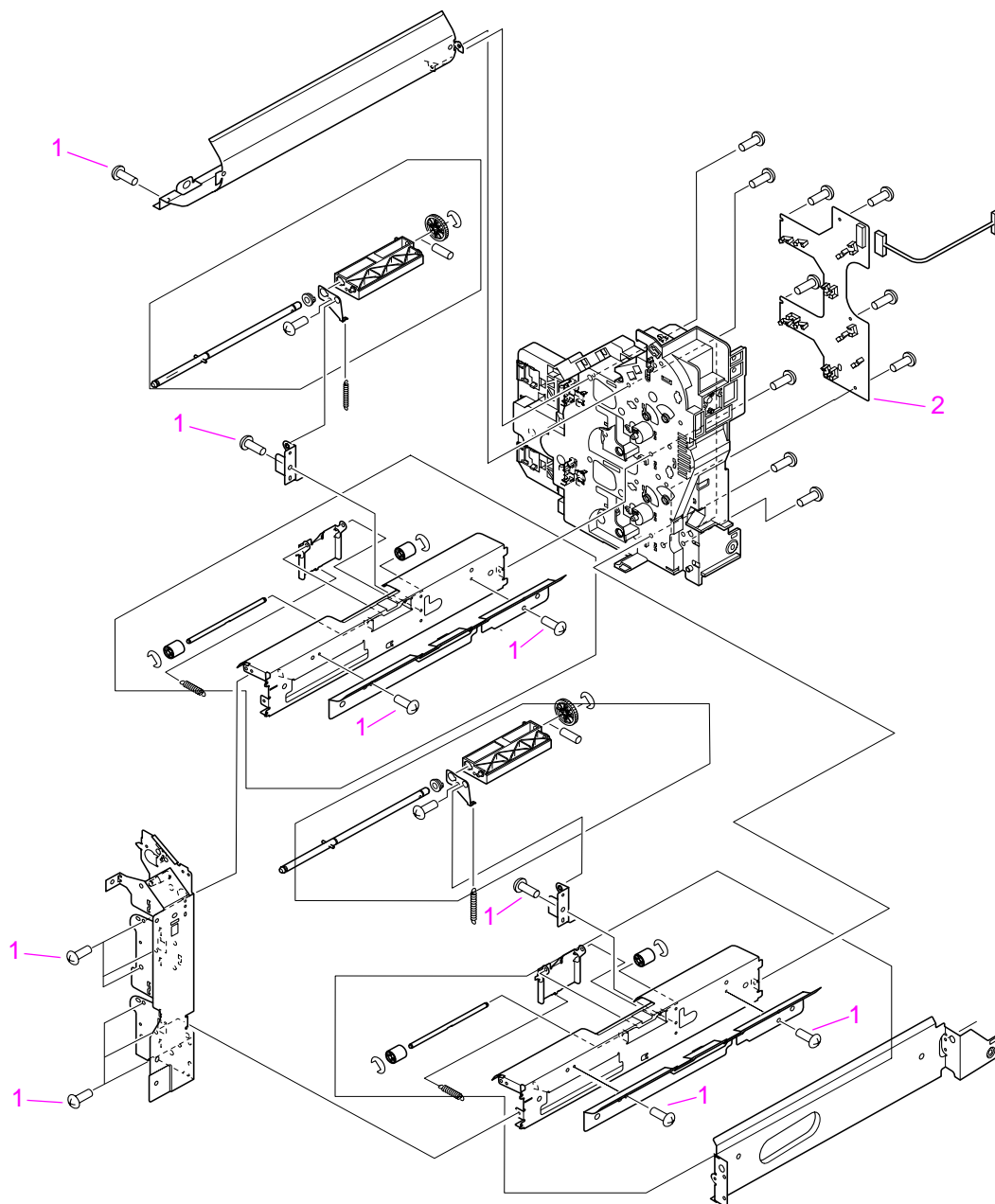


Figure 145. Paper input unit

Table 43. Paper input unit

Ref	Description	9000 part number	9050 part number (if different)	Qty
	Paper input unit	RG5-5681-030CN		1
1	Screw, M3 by 6, RS	XA9-1275-000CN		
2	Paper pickup PCA	RG5-5678-000CN		1

Registration assembly

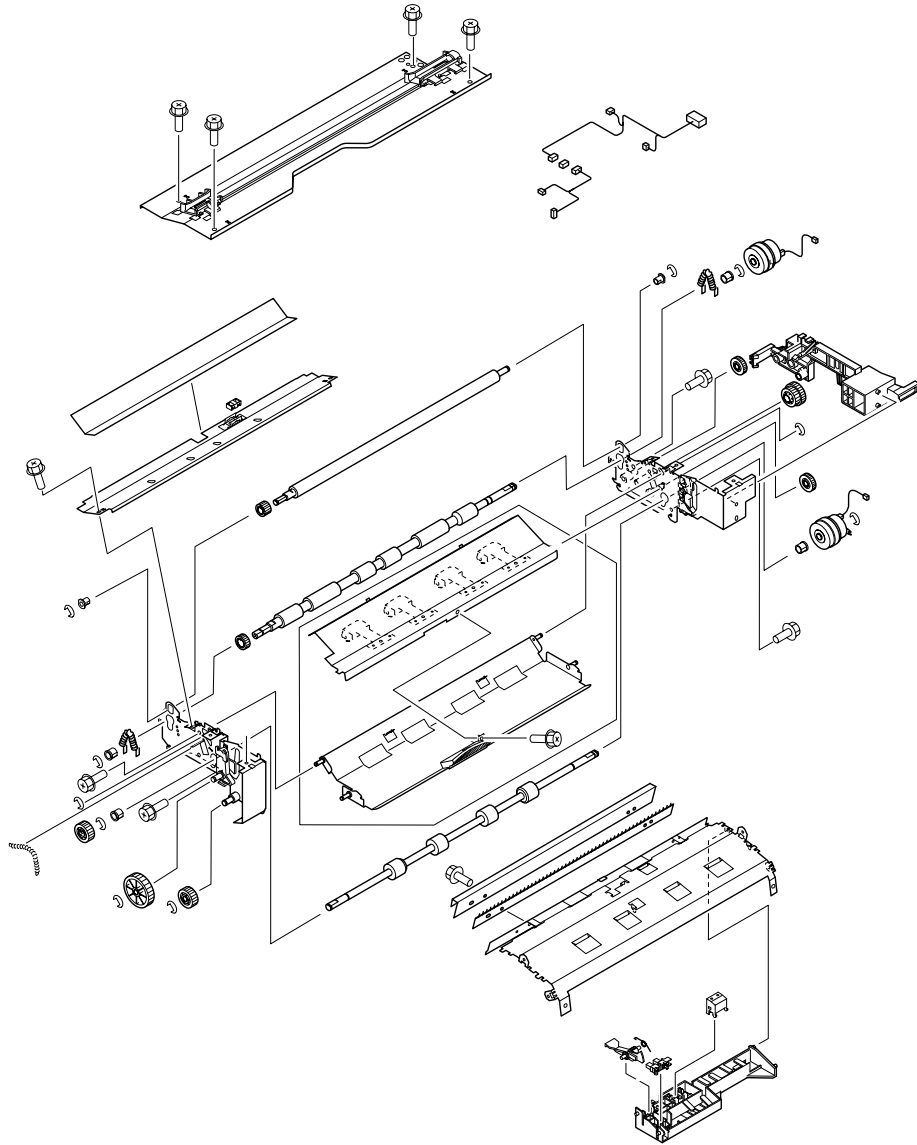


Figure 146. Registration assembly

Table 44. Registration assembly

Ref	Description	9000 part number	9050 part number (if different)	Qty
	Registration assembly	RG5-5663-000CN		1

Transfer roller assembly

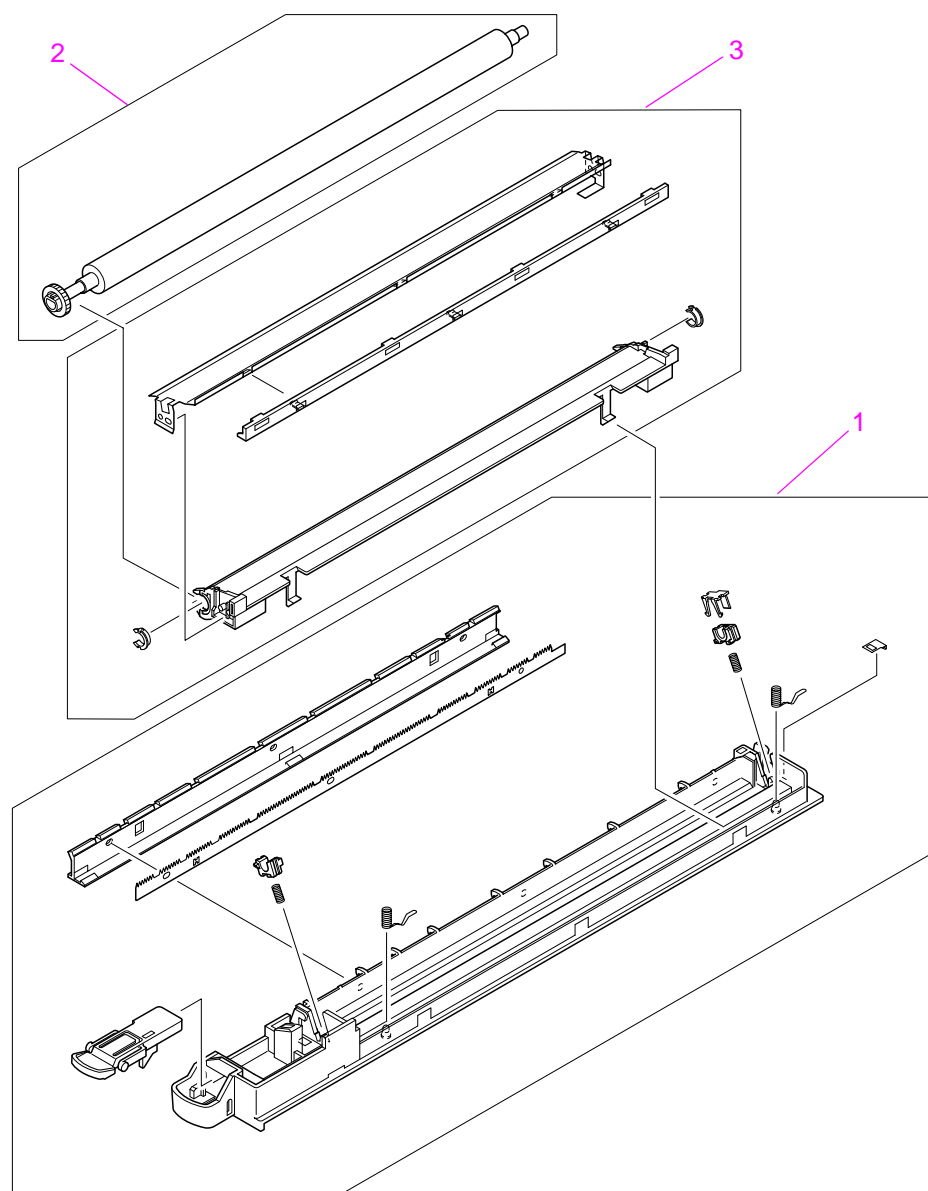


Figure 147. Transfer roller assembly

Table 45. Transfer roller assembly

Ref	Description	9000 part number	9050 part number (if different)	Qty
	Transfer roller assembly	RG5-5662-000CN		1
1	Holder, transfer	RG5-5653-000CN		1
2	Roller, transfer	RF5-3319-000CN		1
3	Guide, transfer/pre-transfer	RG5-5654-000CN		1

Delivery assembly

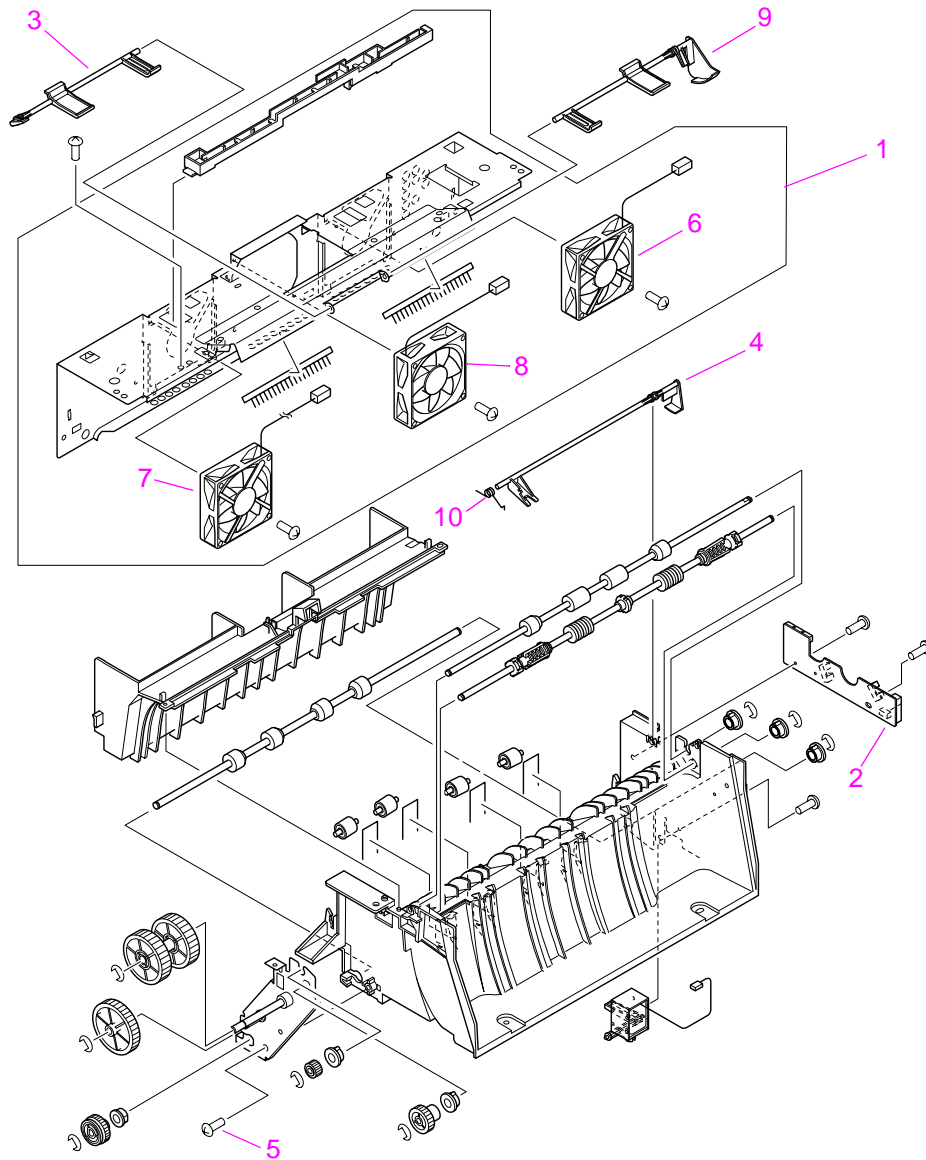


Figure 148. Delivery assembly

Table 46. Delivery assembly

Ref	Description	9000 part number	9050 part number (if different)	Qty
	Delivery assembly	RG5-5643-030CN		1
1	Delivery cross member assembly	RG5-5645-000CN		1
2	Delivery PCA	RG5-5649-000CN		1
3	Flag, sensor	RB2-6037-000CN		1
4	Lever, sensor	RB2-6035-000CN		1
5	Screw, M3 by 8	XA9-1276-000CN		1
6	Fan, #3, rear delivery	RH7-5296-000CN		1
7	Fan, #4, front delivery	RH7-5297-000CN		1
8	Fan, #6, face down tray	RH7-5302-000CN		1
9	Lever, sensor	RB2-6036-000CN		1
10	Spring, tension	RB2-6042-000CN		1

PCA assembly location

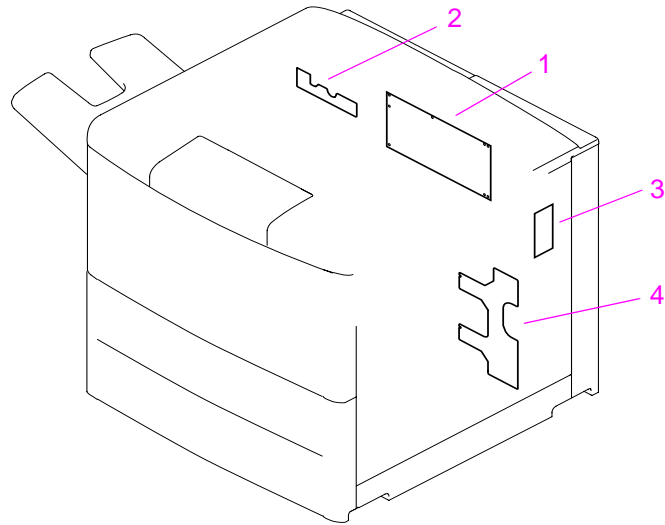


Figure 149. PCA location

Table 47. PCA location

Ref	Description	9000 part number	9050 part number (if different)	Qty
1	DC controller PCA	RG5-5778-120CN	RG5-7780-000CN	1
2	Delivery PCA	RG5-5649-000CN		1
3	Print cartridge memory controller PCA	RG5-6996-000CN		1
4	Paper pickup (PIU) PCA	RG5-5678-000CN		1

Tray 4

Tray 4 main body

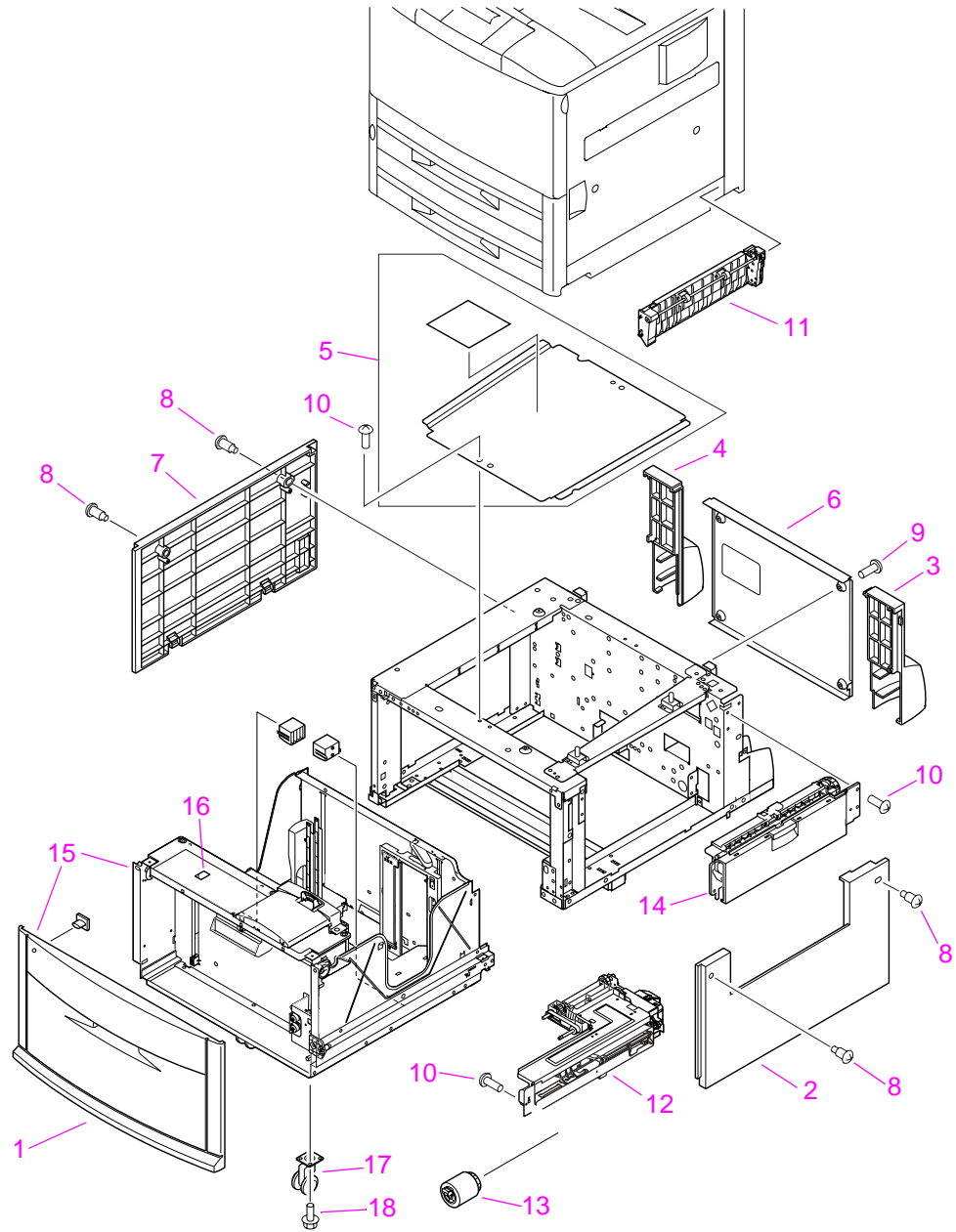


Figure 150. Tray 4 main body (1 of 2)

Table 48. Tray 4 main body (1 of 2)

Ref	Description	9000 part number	9050 part number (if different)	Qty
1	Cover, front	RB2-7648-040CN		1
2	Cover, right	RB2-7649-000CN		1
3	Cover, right back	RB2-7650-000CN		1
4	Cover, left back	RB2-7651-000CN		1
5	Cover, center	RB2-7652-000CN		1
6	Cover, back	RF5-3644-000CN		1
7	Cover, left	RF5-3645-000CN		1
8	Screw, stepped	RS5-9099-000CN		6
9	Screw, W/W, M4 by 6	XA9-0994-000CN		7
10	Screw, M4 by 6	XB6-7400-000CN		
11	Paper path connection unit (PPCU)	RG5-6227-000CN		1
12	Paper input unit (PIU)	RG5-6208-150CN		1
13	Feed/separation rollers	RF5-3338-000CN		3
14	Tray 4 vertical registration assembly (VTU/ VRA)	RG5-6225-050CN		1
15	Tray 4	RG5-6212-260CN		1
16	Lever, standard/custom	RB2-7762-020CN		1
17	Caster	RB2-7709-000CN		2
18	Screw, M4 by 8	XA9-0732-000CN		7
Not shown	Tray 4-to-engine stabilizing screws	0515-4318		2

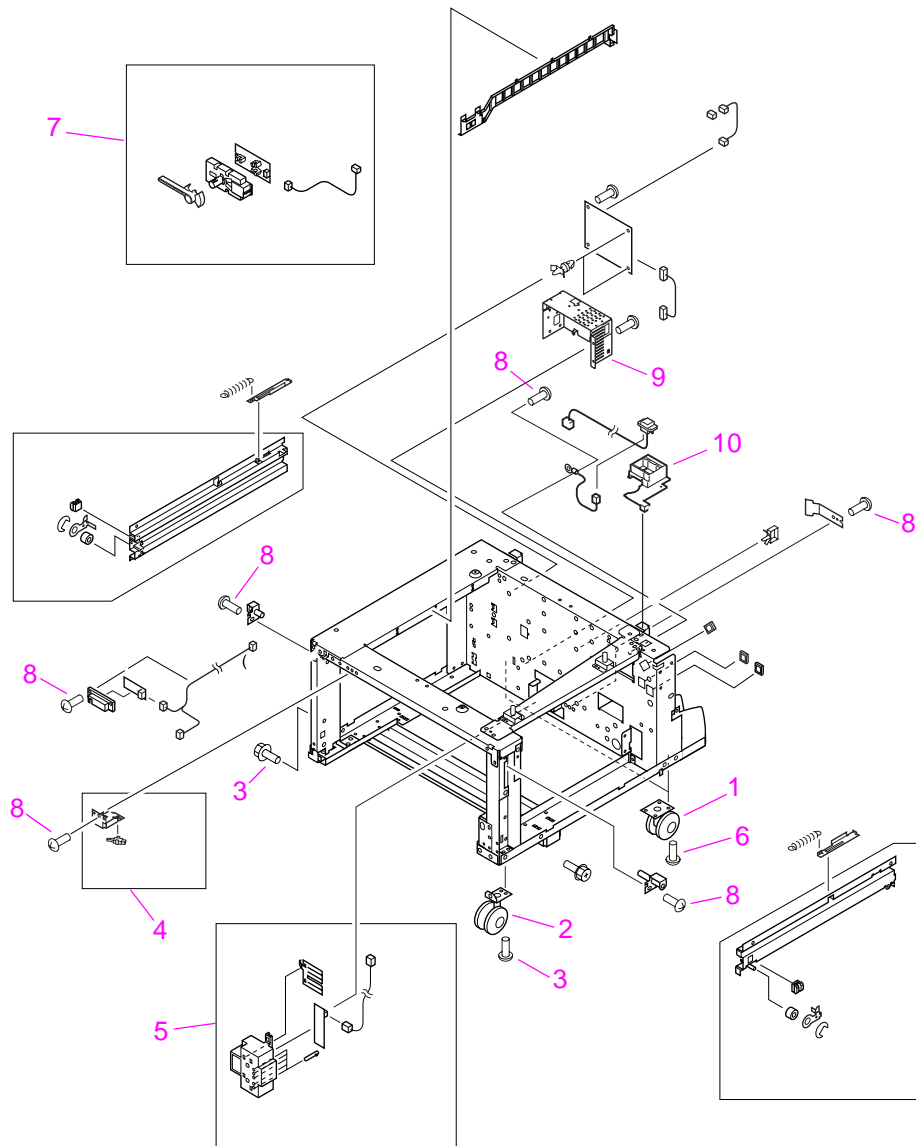


Figure 151. Tray 4 main body (2 of 2)

Table 49. Tray 4 main body (2 of 2)

Ref	Description	9000 part number	9050 part number (if different)	Qty
1	Caster, back	RB2-7678-020CN		2
2	Caster, front swivel	RB3-0304-040CN		2
3	Screw, M5 by 12	XA9-0912-000CN		14
4	Switch assembly (SW21)	RG5-6206-020CN		1
5	Paper size sensing assembly	RG5-6207-040CN		1
6	Screw, M4 by 8, RS	XA9-0732-000CN		4
7	Paper volume sensing assembly	RG5-6229-030CN		1
8	Screw, M4 by 6	XA9-0994-000CN		12
9	Power supply	RG5-6250-000CN		1
10	Jet-Link cable holder assembly (see 10a, 10b, and 10c)			
10a	Holder	RB2-7662-000CN		
10b	Cable assembly	RG5-6240-000CN		
10c	Grounding cable	RG5-6249-000CN		

Tray 4 drive assembly

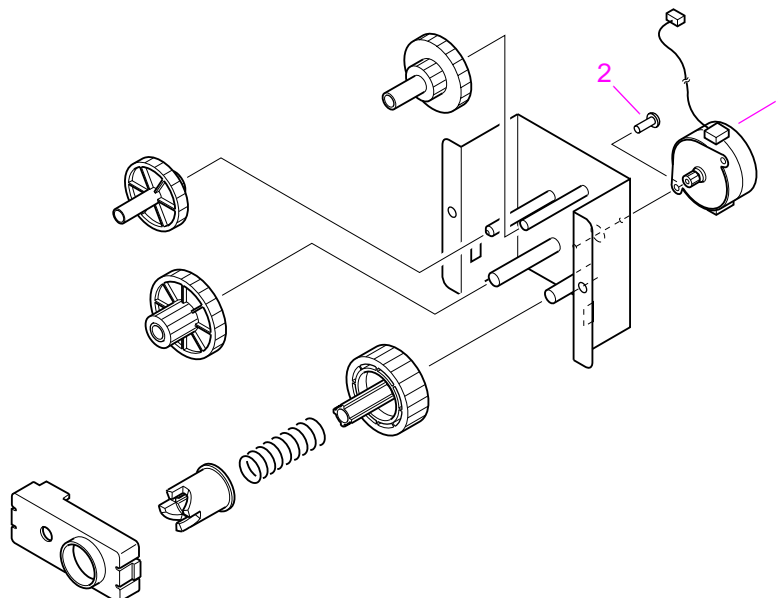


Figure 152. Tray 4 drive assembly

Table 50. Tray 4 drive assembly

Ref	Description	9000 part number	9050 part number (if different)	Qty
	Tray 4 deck drive assembly	RG5-6228-040CN		1
1	Motor	RH7-1481-000CN		1
2	Screw, M3 by 6 with washer	XB2-6300-607CN		2

Tray 4 PCA location

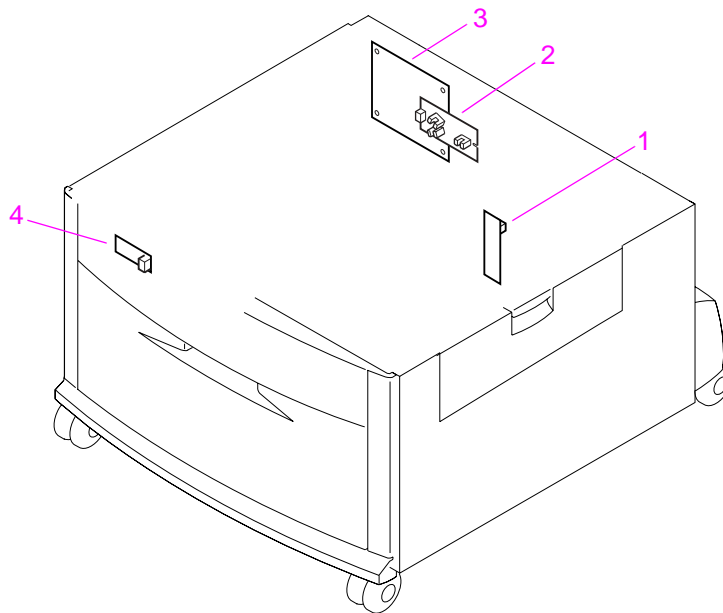


Figure 153. Tray 4 PCA location

Table 51. Tray 4 PCA location

Ref	Description	9000 part number	9050 part number (if different)	Qty
1	Paper size PCA	RG5-6238-000CN		1
2	Paper volume PCA	RG5-6237-000CN		1
3	Deck controller PCA	RG5-6235-100CN		1
4	LED PCA	RG5-6239-000CN		1

Tray 1

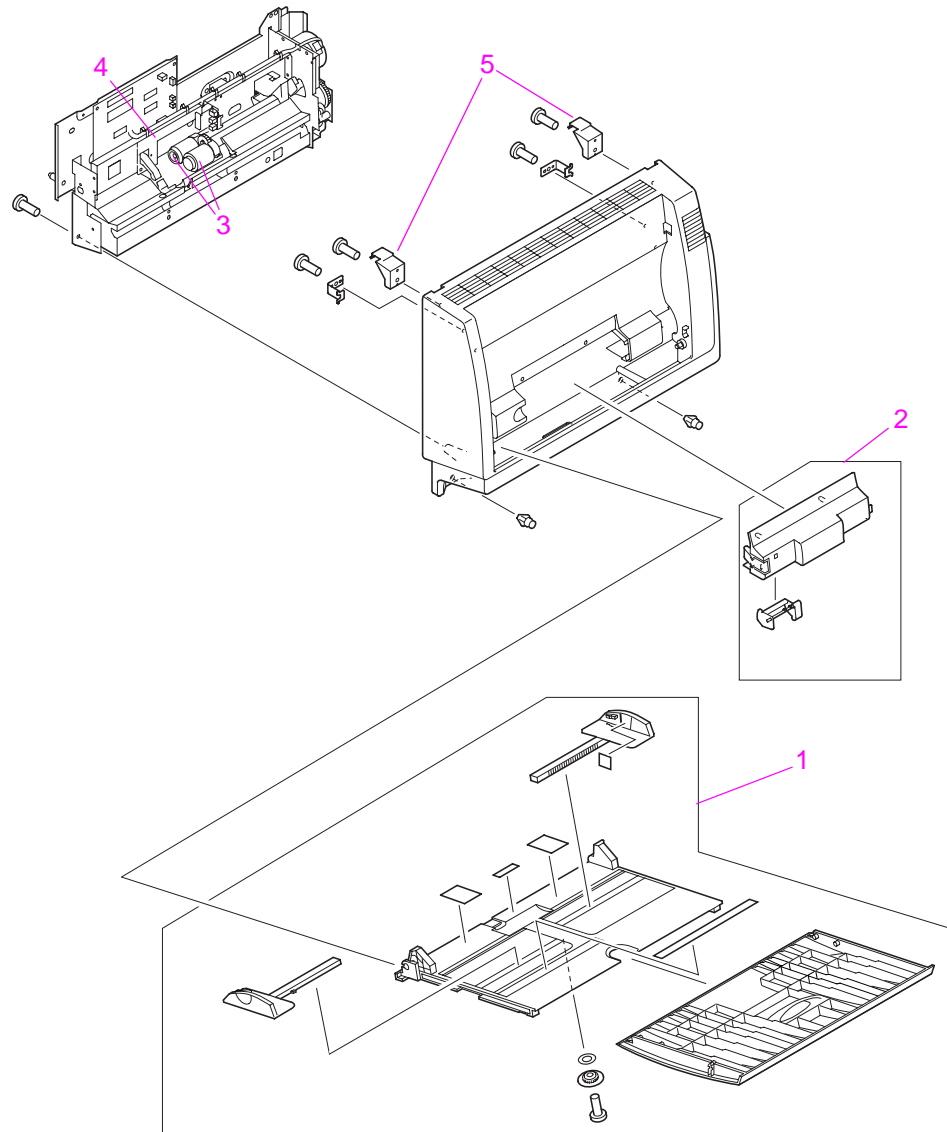


Figure 154. Tray 1 assembly

Table 52. Tray 1 assembly

Ref	Description	9000 part number	9050 part number (if different)	Qty
	Tray 1	C8568-67902		1
1	Tray assembly	RG5-5809-000CN		
2	Service cover assembly	RG5-5811-040CN		1
3	Roller, pickup	RF5-3403-000CN		1
4	Roller, separation	RF5-3404-000CN		2
5	Cover hooks	RB2-6537-000CN		2

Alphabetical parts list

Table 53. Alphabetical parts list

Description	Part number	Figure and page
Arm, front cover	RB2-5654-000CN	Figure 137 on page 266
Arm, shutter	RB2-5639-000CN	Figure 138 on page 268
Back cable holder assembly (HP LaserJet 9050)	RG5-7786-000CN	Figure 140 on page 272
Back cable holder assembly (HP LaserJet 9000)	RG5-5725-030CN	Figure 140 on page 272
Back cover assembly	RG5-5701-000CN	Figure 134 on page 261
Bushing	RB2-5652-000CN	Figure 134 on page 261
Cable, flat	RH2-5445-000CN	Figure 140 on page 272
Cap, left cover	RB2-5675-000CN	Figure 134 on page 261
Cartridge back pressure assembly	RG5-5710-000CN	Figure 139 on page 270
Cartridge front pressure assembly	RG5-5709-000CN	Figure 139 on page 270
Cartridge lifter assembly	RG5-5741-020CN	Figure 143 on page 276
Caster, back	RB2-7678-020CN	Figure 151 on page 286
Caster, front swivel	RB3-0304-040CN	Figure 151 on page 286
Collar	RB2-5547-000CN	Figure 137 on page 266
Connector assembly	RG5-5779-000CN	Figure 140 on page 272
Control lever assembly	RG5-5746-000CN	Figure 137 on page 266
Control panel assembly	RG5-5703-060CN	Figure 134 on page 261
Control panel overlay	RB2-5703-000CN	Figure 134 on page 261
Cover, back	RF5-3644-000CN	Figure 150 on page 284
Cover, back left	RB2-7651-000CN	Figure 150 on page 284
Cover, back right	RB2-7650-000CN	Figure 150 on page 284
Cover, front	RB2-7648-040CN	Figure 150 on page 284
Cover hooks	RB2-6537-000CN	Figure 154 on page 290
Cover, left (left door)	RB2-6007-000CN	Figure 135 on page 263
Cover, left (tray 4)	RF5-3645-000CN	Figure 150 on page 284
Cover, left back	RB2-5685-000CN	Figure 134 on page 261
Cover, left lower	RB2-5687-000CN	Figure 134 on page 261
Cover, left rail	RB2-5683-000CN	Figure 134 on page 261
Cover, left, top	RB2-5660-000CN	Figure 134 on page 261
Cover, left upper	RB2-6491-000CN	Figure 134 on page 261
Cover, multipurpose blanking	RB2-5676-000CN	Figure 134 on page 261
Cover, operation panel, 100 to 127 V	RB2-5701-000CN	Figure 134 on page 261
Cover, right	RB2-5662-000CN	Figure 136 on page 264
Cover, right (tray 4)	RB2-7649-000CN	Figure 150 on page 284
Cover, right back	RB2-5684-000CN	Figure 134 on page 261
Cover, right door	RB2-5697-000CN	Figure 137 on page 266

Table 53. Alphabetical parts list (continued)

Description	Part number	Figure and page
Cover, right lower	RB2-5689-000CN	Figure 134 on page 261
Cover, right rail	RB2-5682-000CN	Figure 134 on page 261
Cover, right top	RB2-5659-000CN	Figure 134 on page 261
Cover, upper	RB2-7652-000CN	Figure 150 on page 284
Damper assembly	RG5-5648-000CN	Figure 135 on page 263
DC controller PCA	RG5-7780-120CN	Figure 149 on page 283
Deck controller PCA	RG5-6235-100CN	Figure 153 on page 289
Delivery cross member assembly	RG5-5645-000CN	Figure 148 on page 281
Delivery feed assembly	RG5-5643-030CN	Figure 148 on page 281
Delivery PCA	RG5-5649-000CN	Figure 148 on page 281
Delivery PCA	RG5-5649-000CN	Figure 149 on page 283
Diverter assembly	RG5-5647-050CN	Figure 135 on page 263
Drum feed drive assembly	RG5-5656-050CN	Figure 141 on page 274
E ring	XD9-0136-000CN	Figure 143 on page 276
E ring	XD9-0134-000CN	Figure 143 on page 276
End paper sensor assembly	RG5-5699-000CN	Figure 139 on page 270
Fan, #1, power supply	RH7-5294-000CN	Figure 140 on page 272
Fan, #2, controller (HP LaserJet 9050)	RH7-1623-000CN	Figure 140 on page 272
Fan, #2, controller (HP LaserJet 9000)	RH7-5295-000CN	Figure 140 on page 272
Fan, #3	RH7-5296-000CN	Figure 148 on page 281
Fan, #4	RH7-5297-000CN	Figure 148 on page 281
Fan, #5 (HP LaserJet 9050)	RH7-5306-000CN	Figure 139 on page 270
Fan, #5 (HP LaserJet 9000)	RG5-5729-000CN	Figure 139 on page 270
Fan, #6	RH7-5302-000CN	Figure 148 on page 281
Fan connecting cable (HP LaserJet 9050)	RG5-7783-000CN	Figure 140 on page 272
Fan connecting cable (HP LaserJet 9000)	RG5-5759-000CN	Figure 140 on page 272
Feed PCA	RG5-5678-000CN	Figure 145 on page 278
Feed PCA	RG5-5678-000CN	Figure 149 on page 283
Flag, sensor	RB2-6037-000CN	Figure 148 on page 281
Foot, left side	RB2-5529-000CN	Figure 137 on page 266
Foot, right side	RB1-6421-000CN	Figure 137 on page 266
Frame, delivery	RB2-6006-000CN	Figure 135 on page 263
Front cover assembly	RG5-5702-000CN	Figure 134 on page 261
Front inside cover assembly	RG5-5721-000CN	Figure 137 on page 266
Fuser assembly 110 V	RG5-5750-170CN	Figure 138 on page 268
Fuser assembly 220 V	RG5-5751-170CN	Figure 138 on page 268
Fuser delivery drive assembly (HP LaserJet 9050)	RG5-7789-000CN	Figure 142 on page 275
Fuser delivery drive assembly (HP LaserJet 9000)	RG5-5659-000CN	Figure 142 on page 275
Fuser high-voltage cable	RG5-5772-000CN	Figure 138 on page 268
Fusing connector holder assembly	RG5-5724-000CN	Figure 138 on page 268

Table 53. Alphabetical parts list (continued)

Description	Part number	Figure and page
Fusing jam clearing assembly	RG5-5700-000CN	Figure 137 on page 266
Fusing power cable	RG5-5771-000CN	Figure 138 on page 268
Gear, 21T	RS5-0708-000CN	Figure 138 on page 268
Guide, cartridge	RB2-5526-000CN	Figure 137 on page 266
Guide, pickup	RB2-5522-000CN	Figure 137 on page 266
Guide rail, cartridge	RG5-5718-000CN	Figure 137 on page 266
Guide, transfer/pre-transfer	RG5-5654-000CN	Figure 147 on page 280
High voltage power supply (HVPS)	RG5-5728-050CN	Figure 140 on page 272
Hinge arm, front cover	RB2-5654-000CN	Figure 137 on page 266
Hinge mount, damper	RB2-5570-020CN	Figure 137 on page 266
Holder, transfer	RG5-5653-000CN	Figure 147 on page 280
Inlet assembly (Power SW10)	RG5-5727-000CN	Figure 140 on page 272
Jet-Link cable assembly	RG5-6240-000CN	Figure 151 on page 286
Jet-Link grounding cable	RG5-6249-000CN	Figure 151 on page 286
Jet-Link holder	RB2-7662-000CN	Figure 151 on page 286
Knob, cassette	RB2-5813-000CN	Figure 144 on page 277
Knob, jam removal	RB2-5845-000CN	Figure 137 on page 266
Label, custom/standard switch	5851-1391	Figure 144 on page 277
Laser/scanner assembly	RG5-5826-000CN	Figure 139 on page 270
Latch mount assembly	RG5-5704-000CN	Figure 139 on page 270
Latch, roller-action	RB2-5700-000CN	Figure 134 on page 261
LED PCA	RG5-6239-000CN	Figure 153 on page 289
Left door and diverter	RG5-5646-050CN	Figure 135 on page 263
Left upper cover assembly	RG5-5705-000CN	Figure 134 on page 261
Lever, custom	RB2-7762-020CN	Figure 150 on page 284
Lever, sensor	RB2-6035-000CN	Figure 148 on page 281
Lever, switch	RB2-6077-000CN	Figure 142 on page 275
Link, connect	RB2-5528-000CN	Figure 137 on page 266
Low voltage power supply assembly 110 V (HP LaserJet 9050)	RG5-7778-000CN	Figure 140 on page 272
Low voltage power supply assembly 110 V (HP LaserJet 9000)	RG5-5730-000CN	Figure 140 on page 272
Low voltage power supply assembly 220 V (HP LaserJet 9050)	RG5-7779-000CN	Figure 140 on page 272
Low voltage power supply assembly 220 V (HP LaserJet 9000)	RG5-5731-000CN	Figure 140 on page 272
Main cable harness holder assembly	RG5-5722-000CN	Figure 140 on page 272
Main motor (M2)	RH7-5287-000CN	Figure 141 on page 274
Microswitch (SW1)	WC4-5171-000CN	Figure 142 on page 275
Motor	RH7-1481-000CN	Figure 152 on page 288
Motor, DC, 24V (M1) (HP LaserJet 9050)	RH7-1622-000CN	Figure 142 on page 275

Table 53. Alphabetical parts list (continued)

Description	Part number	Figure and page
Motor, DC, 24V (M1) (HP LaserJet 9000)	RG5-5288-00CN	Figure 142 on page 275
Mount, back fusing	RB2-5518-000CN	Figure 138 on page 268
Mount, damper	RB2-5570-000CN	Figure 137 on page 266
Mount, front fusing	RB2-5517-000CN	Figure 138 on page 268
Multi-purpose cable	RG5-5763-000CN	Figure 136 on page 264
Multi-purpose grounding cable	RG5-5764-000CN	Figure 136 on page 264
Paper input unit (PIU) (engine)	RG5-5681-030CN	Figure 145 on page 278
Paper input unit (PIU)	RG5-6208-150CN	Figure 150 on page 284
Paper path connection assembly (PPCU)	RG5-6227-000CN	Figure 151 on page 286
Paper size PCA	RG5-6238-000CN	Figure 153 on page 289
Paper-size sensing assembly	RG5-6207-040CN	Figure 151 on page 286
Paper volume PCA	RG5-6237-000CN	Figure 153 on page 289
Paper volume sensing assembly	RG5-6229-030CN	Figure 151 on page 286
Pin, fusing shutter	RB2-5656-000CN	Figure 134 on page 261
Print cartridge memory controller PCA	RG5-5468-000CN	Figure 149 on page 283
Rail, back fusing	RB2-5516-000CN	Figure 138 on page 268
Rail, front fusing	RB2-5515-020CN	Figure 138 on page 268
Registration assembly	RG5-5663-000CN	Figure 146 on page 279
Right cover assembly	RG5-5737-000CN	Figure 136 on page 264
Right cover knob assembly	RG5-5740-000CN	Figure 136 on page 264
Right rail assembly	RG5-5715-000CN	Figure 139 on page 270
Rod, switch	RB2-5661-000CN	Figure 139 on page 270
Roller, feed retard	RF5-3338-000CN	Figure 137 on page 266
Roller, feed retard	RF5-3338-000CN	Figure 151 on page 286
Roller, PIC	RF5-3340-000CN	Figure 137 on page 266
Roller, transfer	RF5-3319-000CN	Figure 147 on page 280
Screw, M3 by 6	XA9-1275-000CN	Figure 138 on page 268
Screw, M3 by 6	XA9-1275-000CN	Figure 141 on page 274
Screw, M3 by 6	XA9-1275-000CN	Figure 143 on page 276
Screw, M3 by 6, RS	XA9-1275-000CN	Figure 137 on page 266
Screw, M3 by 6, RS	XA9-1275-000CN	Figure 138 on page 268
Screw, M3 by 6, RS	XA9-1275-000CN	Figure 139 on page 270
Screw, M3 by 6, RS	XA9-1275-000CN	Figure 140 on page 272
Screw, M3 by 6, RS	XA9-1275-000CN	Figure 142 on page 275
Screw, M3 by 6, RS	XA9-1275-000CN	Figure 145 on page 278
Screw, M3 by 8	XA9-1200-000CN	Figure 136 on page 264
Screw, M3 by 8	XA9-1276-000CN	Figure 138 on page 268
Screw, M3 by 8	XA9-1276-000CN	Figure 148 on page 281
Screw, M3 by 8, RS	XA9-1276-000CN	Figure 136 on page 264
Screw, M3 by 8, RS	XA9-1276-000CN	Figure 137 on page 266

Table 53. Alphabetical parts list (continued)

Description	Part number	Figure and page
Screw, M3 by 8, RS	XA9-1276-000CN	Figure 138 on page 268
Screw, M3 by 8, RS	XA9-1276-000CN	Figure 139 on page 270
Screw, M3 by 8, RS	XA9-1276-000CN	Figure 140 on page 272
Screw, M4 by 6	XA9-0994-000CN	Figure 151 on page 286
Screw, M4 by 10	XA9-1189-000CN	Figure 135 on page 263
Screw, M4 by 8, RS	XA9-0732-000CN	Figure 151 on page 286
Screw, stepped	RS5-9099-000CN	Figure 150 on page 284
Screw, TP, M4 by 6	XB6-7400-000CN	Figure 150 on page 284
Screw, W/W, M3 by 6	XB2-6300-607CN	Figure 152 on page 288
Screw, W/W, M3 by 29.5	XA9-0668-000CN	Figure 144 on page 277
Screw, W/W, M4 by 6	XA-0994-000CN	Figure 150 on page 284
Screw, W/W, M5 by 12	XA9-0912-000CN	Figure 151 on page 286
Service cover assembly	RG5-5811-040CN	Figure 154 on page 290
Shutter, laser	RB2-5640-000CN	Figure 138 on page 268
Spring, compression	RS6-2302-000CN	Figure 139 on page 270
Spring, leaf	RB2-5523-000CN	Figure 138 on page 268
Spring, tension	RS6-2285-000CN	Figure 137 on page 266
Spring, tension	RS6-2296-000CN	Figure 138 on page 268
Spring, tension	RS6-2299-000CN	Figure 138 on page 268
Spring, tension	RS6-2298-000CN	Figure 143 on page 276
Spring, torsion	RB2-5816-000CN	Figure 144 on page 277
Strap, rock block	RB2-5655-000CN	Figure 134 on page 261
Switch assembly (SW21)	RG5-6206-020CN	Figure 151 on page 286
Tape, cover (retaining strap)	RB2-5653-000CN	Figure 134 on page 261
Tape, cover (retaining strap)	RB2-5653-000CN	Figure 136 on page 264
Toner contact assembly	RB2-5717-000CN	Figure 138 on page 268
Toner sensor contact with memory (antenna)	RG5-5719-000CN	Figure 140 on page 272
Torque, limiter	RB2-5759-000CN	Figure 137 on page 266
Transfer guide assembly	RG5-5651-000CN	Figure 138 on page 268
Transfer roller assembly	RG5-5652-000CN	Figure 147 on page 280
Tray 1 assembly	RG5-5809-000CN	Figure 154 on page 290
Tray, face-up	RB2-5690-000CN	Figure 134 on page 261
Tray, 500-sheet	RG5-5635-080CN	Figure 144 on page 277
Tray 4	RG5-6212-260CN	Figure 150 on page 284
Tray 4 deck drive assembly	RG5-6228-040CN	Figure 152 on page 288
Tray 4-to-engine stabilizing screws	0515-4318	Figure 150 on page 284
Tray 4 vertical registration assembly (VTU/VRA)	RG5-6225-050CN	Figure 150 on page 284
Upper cable guide assembly	RG5-7787-000CN	Figure 139 on page 270
Vertical transfer assembly	RG5-6225-000CN	Figure 150 on page 284

Numerical parts list

Table 54. Numerical parts list

Part number	Description	Figure and page
0515-4318	Tray 4-to-engine stabilizing screws	Figure 150 on page 284
5851-1391	Label, custom/standard switch	Figure 144 on page 277
RB1-6421-000CN	Foot, right side	Figure 137 on page 266
RB2-5515-020CN	Rail, front fusing	Figure 138 on page 268
RB2-5516-000CN	Rail, back fusing	Figure 138 on page 268
RB2-5517-000CN	Mount, front fusing	Figure 138 on page 268
RB2-5518-000CN	Mount, back fusing	Figure 138 on page 268
RB2-5522-000CN	Guide, pickup	Figure 137 on page 266
RB2-5523-000CN	Spring, leaf	Figure 138 on page 268
RB2-5526-000CN	Guide, cartridge	Figure 137 on page 266
RB2-5528-000CN	Link, connect	Figure 137 on page 266
RB2-5529-000CN	Foot, left side	Figure 137 on page 266
RB2-5547-000CN	Collar	Figure 137 on page 266
RB2-5570-020CN	Hinge mount, damper	Figure 137 on page 266
RB2-5639-000CN	Arm, shutter	Figure 138 on page 268
RB2-5640-000CN	Shutter, laser	Figure 138 on page 268
RB2-5652-000CN	Bushing	Figure 134 on page 261
RB2-5653-000CN	Tape, cover (retaining strap)	Figure 134 on page 261
RB2-5653-000CN	Tape, cover (retaining strap)	Figure 136 on page 264
RB2-5654-000CN	Arm, front cover	Figure 137 on page 266
RB2-5654-000CN	Hinge arm, front cover	Figure 137 on page 266
RB2-5655-000CN	Strap, rock block	Figure 134 on page 261
RB2-5656-000CN	Pin, fusing shutter	Figure 134 on page 261
RB2-5659-000CN	Cover, right, top	Figure 134 on page 261
RB2-5660-000CN	Cover, left, top	Figure 134 on page 261
RB2-5661-000CN	Rod, switch	Figure 139 on page 270
RB2-5662-000CN	Cover, right	Figure 136 on page 264
RB2-5675-000CN	Cap, left cover	Figure 134 on page 261
RB2-5676-000CN	Cover, multipurpose blanking	Figure 134 on page 261
RB2-5682-000CN	Cover, right rail	Figure 134 on page 261
RB2-5683-000CN	Cover, left rail	Figure 134 on page 261
RB2-5684-000CN	Cover, right back	Figure 134 on page 261
RB2-5685-000CN	Cover, left back	Figure 134 on page 261
RB2-5687-000CN	Cover, left lower	Figure 134 on page 261
RB2-5689-000CN	Cover, right lower	Figure 134 on page 261
RB2-5690-000CN	Tray, face-up	Figure 134 on page 261

Table 54. Numerical parts list (continued)

Part number	Description	Figure and page
RB2-5697-000CN	Cover, right door	Figure 137 on page 266
RB2-5700-000CN	Latch, roller-action	Figure 134 on page 261
RB2-5701-000CN	Cover, operation panel, 100 to 127 V	Figure 134 on page 261
RB2-5703-000CN	Control panel overlay	Figure 134 on page 261
RB2-5717-000CN	Toner contact assembly	Figure 138 on page 268
RB2-5759-000CN	Torque, limiter	Figure 137 on page 266
RB2-5813-000CN	Knob, cassette	Figure 144 on page 277
RB2-5816-000CN	Spring, torsion	Figure 144 on page 277
RB2-5845-000CN	Knob, jam removal	Figure 137 on page 266
RB2-6006-000CN	Frame, delivery	Figure 135 on page 263
RB2-6035-000CN	Lever, sensor	Figure 148 on page 281
RB2-6037-000CN	Flag, sensor	Figure 148 on page 281
RB2-6007-000CN	Cover, left (left door)	Figure 135 on page 263
RB2-6077-000CN	Lever, switch	Figure 142 on page 275
RB2-6491-000CN	Cover, left upper	Figure 134 on page 261
RB2-6537-000CN	Cover hooks	Figure 154 on page 290
RB2-7648-040CN	Cover, front	Figure 150 on page 284
RB2-7649-000CN	Cover, right (tray 4)	Figure 150 on page 284
RB2-7650-000CN	Cover, back right	Figure 150 on page 284
RB2-7651-000CN	Cover, back left	Figure 150 on page 284
RB2-7652-000CN	Cover, upper	Figure 150 on page 284
RB2-7662-000CN	Jet-Link holder	Figure 151 on page 286
RB2-7678-020CN	Caster, back	Figure 151 on page 286
RB2-7762-020CN	Lever, custom	Figure 150 on page 284
RB3-0304-040CN	Caster, front swivel	Figure 151 on page 286
RF5-3319-000CN	Roller, transfer	Figure 147 on page 280
RF5-3338-000CN	Roller, feed retard	Figure 137 on page 266
RF5-3338-000CN	Roller, feed retard	Figure 151 on page 286
RF5-3340-000CN	Roller, PIC	Figure 137 on page 266
RF5-3644-000CN	Cover, back	Figure 150 on page 284
RF5-3645-000CN	Cover, left (tray 4)	Figure 150 on page 284
RG5-5288-000CN	Motor, DC, 24V (M1) (HP LaserJet 9000)	Figure 142 on page 275
RG5-5468-000CN	Print cartridge memory controller PCA	Figure 149 on page 283
RG5-5635-080CN	Tray, 500-sheet	Figure 144 on page 277
RG5-5643-030CN	Delivery feed assembly	Figure 148 on page 281
RG5-5645-000CN	Delivery cross member assembly	Figure 148 on page 281
RG5-5646-050CN	Left door and diverter	Figure 135 on page 263
RG5-5647-050CN	Diverter assembly	Figure 135 on page 263
RG5-5648-000CN	Damper assembly	Figure 135 on page 263
RG5-5649-000CN	Delivery PCA	Figure 148 on page 281

Table 54. Numerical parts list (continued)

Part number	Description	Figure and page
RG5-5649-000CN	Delivery PCA	Figure 149 on page 283
RG5-5651-000CN	Transfer guide assembly	Figure 138 on page 268
RG5-5652-000CN	Transfer roller assembly	Figure 147 on page 280
RG5-5653-000CN	Holder, transfer	Figure 147 on page 280
RG5-5654-000CN	Guide, transfer/pre-transfer	Figure 147 on page 280
RG5-5656-050CN	Drum feed drive assembly	Figure 141 on page 274
RG5-5659-000CN	Fuser delivery drive assembly (HP LaserJet 9000)	Figure 142 on page 275
RG5-5663-000CN	Registration assembly	Figure 146 on page 279
RG5-5678-000CN	Feed PCA	Figure 145 on page 278
RG5-5678-000CN	Feed PCA	Figure 149 on page 283
RG5-5681-000CN	Paper input unit (PIU), engine	Figure 145 on page 278
RG5-5699-000CN	End paper sensor assembly	Figure 139 on page 270
RG5-5700-000CN	Fusing jam clearing assembly	Figure 137 on page 266
RG5-5701-000CN	Back cover assembly	Figure 134 on page 261
RG5-5702-000CN	Front cover assembly	Figure 134 on page 261
RG5-5703-060CN	Control panel assembly	Figure 134 on page 261
RG5-5704-000CN	Latch mount assembly	Figure 139 on page 270
RG5-5705-000CN	Left upper cover assembly	Figure 134 on page 261
RG5-5709-000CN	Cartridge front pressure assembly	Figure 139 on page 270
RG5-5710-000CN	Cartridge back pressure assembly	Figure 139 on page 270
RG5-5715-000CN	Right rail assembly	Figure 139 on page 270
RG5-5718-000CN	Guide rail, cartridge	Figure 137 on page 266
RG5-5719-000CN	Toner sensor contact with memory (antenna)	Figure 140 on page 272
RG5-5721-000CN	Front inside cover assembly	Figure 137 on page 266
RG5-5722-000CN	Main cable harness holder assembly	Figure 140 on page 272
RG5-5724-000CN	Fusing connector holder assembly	Figure 138 on page 268
RG5-5725-000CN	Back cable holder assembly (HP LaserJet 9000)	Figure 140 on page 272
RG5-5727-000CN	Inlet assembly (Power SW 10)	Figure 140 on page 272
RG5-5728-050CN	High voltage power supply (HVPS)	Figure 140 on page 272
RG5-5730-000CN	Low voltage power supply assembly 110 V (HP LaserJet 9000)	Figure 140 on page 272
RG5-5731-000CN	Low voltage power supply assembly 220 V (HP LaserJet 9050)	Figure 140 on page 272
RG5-5737-000CN	Right cover assembly	Figure 136 on page 264
RG5-5740-000CN	Right cover knob assembly	Figure 136 on page 264
RG5-5741-020CN	Cartridge lifter assembly	Figure 143 on page 276
RG5-5746-000CN	Control lever assembly	Figure 137 on page 266
RG5-5750-170CN	Fuser assembly 110 V	Figure 138 on page 268
RG5-5751-170CN	Fuser assembly 220 V	Figure 138 on page 268
RG5-5759-000CN	Fan connecting cable (HP LaserJet 9050)	Figure 140 on page 272

Table 54. Numerical parts list (continued)

Part number	Description	Figure and page
RG5-5763-000CN	Multi-purpose cable	Figure 136 on page 264
RG5-5764-000CN	Multi-purpose grounding cable	Figure 136 on page 264
RG5-5771-000CN	Fusing power cable	Figure 138 on page 268
RG5-5772-000CN	Fuser high-voltage cable	Figure 138 on page 268
RG5-5779-000CN	Connector assembly	Figure 140 on page 272
RG5-5809-000CN	Tray 1 assembly	Figure 154 on page 290
RG5-5811-040CN	Service cover assembly	Figure 154 on page 290
RG5-5826-000CN	Laser/scanner assembly	Figure 139 on page 270
RG5-6206-020CN	Switch assembly (SW21)	Figure 151 on page 286
RG5-6207-040CN	Paper-size sensing assembly	Figure 151 on page 286
RG5-6208-150CN	Paper input unit (PIU)	Figure 150 on page 284
RG5-6212-260CN	Tray 4	Figure 150 on page 284
RG5-6225-000CN	Vertical transfer assembly	Figure 150 on page 284
RG5-6225-050CN	Tray 4 vertical registration assembly (VTU/VRA)	Figure 150 on page 284
RG5-6227-000CN	Paper path connection assembly (PPCU)	Figure 151 on page 286
RG5-6228-040CN	Tray 4 deck drive assembly	Figure 152 on page 288
RG5-6229-030CN	Paper volume sensing assembly	Figure 151 on page 286
RG5-6235-100CN	Deck controller PCA	Figure 153 on page 289
RG5-6237-000CN	Paper volume PCA	Figure 153 on page 289
RG5-6238-000CN	Paper size PCA	Figure 153 on page 289
RG5-6239-000CN	LED PCA	Figure 153 on page 289
RG5-6240-000CN	Jet-Link cable assembly	Figure 151 on page 286
RG5-6249-000CN	Jet-Link grounding cable	Figure 151 on page 286
RG5-7778-000CN	Low voltage power supply assembly 110 V (HP LaserJet 9050)	Figure 140 on page 272
RG5-7779-000CN	Low voltage power supply assembly 220 V (HP LaserJet 9050)	Figure 140 on page 272
RG5-7780-120CN	DC controller PCA	Figure 149 on page 283
RG5-7783-000CN	Fan connecting cable (HP LaserJet 9050)	Figure 140 on page 272
RG5-7786-000CN	Back cable holder assembly (HP LaserJet 9050)	Figure 140 on page 272
RG5-7787-000CN	Upper cable guide assembly	Figure 139 on page 270
RG5-7789-000CN	Fuser delivery drive assembly (HP LaserJet 9050)	Figure 142 on page 275
RH2-5445-000CN	Cable, flat	Figure 140 on page 272
RH7-1481-000CN	Motor	Figure 152 on page 288
RH7-1622-000CN	Motor, DC, 24V (M1) (HP LaserJet 9050)	Figure 142 on page 275
RH7-1623-000CN	Fan, #2, controller (HP LaserJet 9050)	Figure 140 on page 272
RH7-5287-000CN	Main motor (M2)	Figure 141 on page 274
RH7-5294-000CN	Fan, #1, power supply	Figure 140 on page 272
RH7-5295-000CN	Fan, #2, controller (HP LaserJet 9000)	Figure 140 on page 272
RH7-5296-000CN	Fan, #3, rear delivery	Figure 148 on page 281

Table 54. Numerical parts list (continued)

Part number	Description	Figure and page
RH7-5297-000CN	Fan, #4, front delivery	Figure 148 on page 281
RH7-5302-000CN	Fan, #6, face down tray	Figure 148 on page 281
RG7-5306-000CN	Fan, #5, cartridge fan	Figure 139 on page 270
RS5-0708-000CN	Gear, 21T	Figure 138 on page 268
RS5-9099-000CN	Screw, stepped	Figure 150 on page 284
RS6-2285-000CN	Spring, tension	Figure 137 on page 266
RS6-2296-000CN	Spring, tension	Figure 138 on page 268
RS6-2298-000CN	Spring, tension	Figure 143 on page 276
RS6-2299-000CN	Spring, tension	Figure 138 on page 268
RS6-2302-000CN	Spring, compression	Figure 139 on page 270
WC4-5171-000CN	Microswitch (SW1)	Figure 142 on page 275
XA9-0668-000CN	Screw, W/W, M3 by 29.5	Figure 144 on page 277
XA9-0732-000CN	Screw, M4 by 8, RS	Figure 151 on page 286
XA9-0912-000CN	Screw, W/W, M5 by 12	Figure 151 on page 286
XA9-0994-000CN	Screw, M4 by 6	Figure 151 on page 286
XA9-1189-000CN	Screw, M4 by 10	Figure 135 on page 263
XA9-1200-000CN	Screw, M3 by 8	Figure 136 on page 264
XA9-1275-000CN	Screw, M3 by 6	Figure 138 on page 268
XA9-1275-000CN	Screw, M3 by 6	Figure 141 on page 274
XA9-1275-000CN	Screw, M3 by 6	Figure 143 on page 276
XA9-1275-000CN	Screw, M3 by 6, RS	Figure 137 on page 266
XA9-1275-000CN	Screw, M3 by 6, RS	Figure 138 on page 268
XA9-1275-000CN	Screw, M3 by 6, RS	Figure 139 on page 270
XA9-1275-000CN	Screw, M3 by 6, RS	Figure 140 on page 272
XA9-1275-000CN	Screw, M3 by 6, RS	Figure 142 on page 275
XA9-1275-000CN	Screw, M3 by 6, RS	Figure 145 on page 278
XA9-1276-000CN	Screw, M3 by 8	Figure 138 on page 268
XA9-1276-000CN	Screw, M3 by 8	Figure 148 on page 281
XA9-1276-000CN	Screw, M3 by 8, RS	Figure 136 on page 264
XA9-1276-000CN	Screw, M3 by 8, RS	Figure 137 on page 266
XA9-1276-000CN	Screw, M3 by 8, RS	Figure 138 on page 268
XA9-1276-000CN	Screw, M3 by 8, RS	Figure 139 on page 270
XA9-1276-000CN	Screw, M3 by 8, RS	Figure 140 on page 272
XB2-6300-607CN	Screw, W/W, M3 by 6	Figure 152 on page 288
XB6-7400-000CN	Screw, TP, M4 by 6	Figure 150 on page 284
XD9-0134-000CN	E ring	Figure 143 on page 276
XD9-0136-000CN	E ring	Figure 143 on page 276