

7 Parts and diagrams

This chapter provides an exploded view that shows the replaceable parts of the printer, tables of replaceable parts, and links to other resources.

- [Ordering parts and supplies](#)
- [Accessories and consumables](#)
- [Printer exchange/parts](#)
- [External covers and panel](#)
- [Internal components](#)
- [Alphabetical parts list](#)
- [Numerical parts list](#)

Ordering parts and supplies

This section describes web resources for ordering parts and for technical support, as well as resources for ordering related documentation and software.

Parts

Order replacement parts from the following Web site: http://www.hp.com/ssg/parts/direct_order.html

Related documentation and software

Order documentation and software from the Web sites listed in [Table 7-1 Technical support websites on page 122](#).

Table 7-1 Technical support websites

HP Customer Care Online	www.hp.com/go/support
Software drivers, support documentation, and answers to frequently asked questions	
HP Technical Training (North America)	www.hp.com/go/resellertraining
Classes and schedules	
Parts	www.outfield.external.hp.com/spi/welcom.htm
Parts information	

Parts that wear

The parts that wear on the product are listed in chapter 3 of this manual. Parts are available directly from Hewlett-Packard at the following websites:

- HP Parts Store: www.hp.com/buy/parts
- Partsurfer: www.partsurfer.hp.com
- HP Parts Portal: www.hp.com/go/HPparts

Accessories and consumables

Accessories

Table 7-2 Accessories

Product name	Description	Product number	Part number
Print cartridges, cables, and HP Jetdirect Print Servers			
Print cartridge	2,000 page cartridge	Q2612A	Q2612-67901
Cables and interface accessories	1.8-meter (6-foot) USB cable	N/A	8120-8485
Cables and interface accessories	.6-meter (2-foot) USB cable	N/A	8121-0712
Cables and interface accessories	Power cord, US/Canada	N/A	8120-6812
Cables and interface accessories	Power cord, Europe	N/A	8120-6811
Cables and interface accessories	Power cord, Switzerland	N/A	8120-6815
Cables and interface accessories	Power cord, UK	N/A	8120-6809
Cables and interface accessories	Power cord, Danish	N/A	8120-6814
Cables and interface accessories	Power cord, South Africa	N/A	8120-6813
Cables and interface accessories	Power cord, Israel	N/A	8120-6800
Cables and interface accessories	Power cord, Australia / New Zealand	N/A	8120-6810
HP Jetdirect Print Server	Model EN3700 USB print server	J7942A	J7942-61011
HP Jetdirect Print Server	Model 310X Ethernet/Fast Ethernet (10/100Base-TX)	J6038A	J7942-61001
HP Jetdirect Print Server	Model 380x Wireless Ethernet (802.11b)	J6061A	J6061-61001
HP Jetdirect Print Server	Model WP110 Wireless Ethernet (802.11b)	J6062A	J6062-61011
Toner cloth	Ideal for wiping up toner spills and cleaning the printer	N/A	5090-3379

¹ (NOTE: If two parts are listed for one country/region, you can use either part regardless of the output rating.)

Common hardware

The product uses common Phillips-head screws as fasteners.

How to use the parts lists and diagrams

The figures in this chapter illustrate the major subassemblies in the product. A table follows the exploded assembly diagram. Each table lists the reference designator, the associated part number for the item, and a description of the part.

Parts that have no reference designator or part number are not field replaceable units (FRUs) and cannot be ordered. Failure of a part that is not listed as replaceable and is not included with a listed field replaceable unit requires replacement of the entire printer.

While looking for a part number, pay careful attention to the voltage listed in the description column to make sure that the part number selected is for the correct product model.

Printer exchange/parts

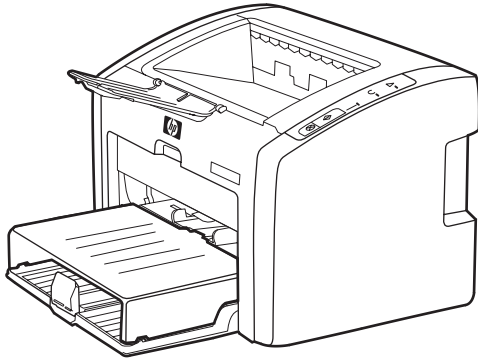


Table 7-3 Printer exchange

Ref	Description	Part number	Qty
1	HP LJ 1022-110V Printer (replacement)	Q5912-67056	1
1	HP LJ 1022-110V Printer (refurbished)	Q5912-69056	1
1	HP LJ 1022-110V Printer (exchange engine w/formatter)	Q5912-67056	1
1	HP LJ 1022-220V Printer (replacement)	Q5912-67055	1
1	HP LJ 1022-220V Printer (refurbished)	Q5912-69055	1
1	HP LJ 1022-220V Printer (exchange engine w/formatter)	Q5912-67055	1
1	HP LJ 1022n-110V Printer (replacement)	Q5913-67056	1
1	HP LJ 1022n-110V Printer (refurbished)	Q5913-69056	1
1	HP LJ 1022n-110V Printer (exchange engine w/formatter)	Q5913-67056	1
1	HP LJ 1022n-220V (replacement)	Q5913-67055	1
1	HP LJ 1022n-220V (refurbished)	Q5913-69055	1
1	HP LJ 1022n-220V (exchange engine w/formatter)	Q5913-67055	1
2	HP LJ 1022nw-110V (replacement)	Q5914-67056	1
2	HP LJ 1022nw-110V (refurbished)	Q5914-69056	1
2	HP LJ 1022nw-110V (exchange engine w/formatter)	Q5914-67056	1
2	HP LJ 1022nw-220V (replacement)	Q5914-67055	1
2	HP LJ 1022nw-220V (refurbished)	Q5914-69055	1
2	HP LJ 1022nw-220V (exchange engine w/formatter)	Q5914-67055	1
not shown	HP LJ 1022/1022n formatter	Q5427-60001	1
not shown	HP LJ 1022nw formatter	Q3969-60002	1
not shown	Nameplate HP LJ 1022n	Q5912-00001	1
not shown	Nameplate HP LJ 1022nw	Q5912-00002	1
not shown	Nameplate HP LJ 1022	Q5912-00005	1
not shown	HP LJ 1022nw wireless module	Q5914-60001	1
not shown	HP LJ 1022nw wireless cable	Q5914-60102	1
not shown	HP LJ 1022/1022n/1022nw network connector	Q5914-60102	1

External covers and panel

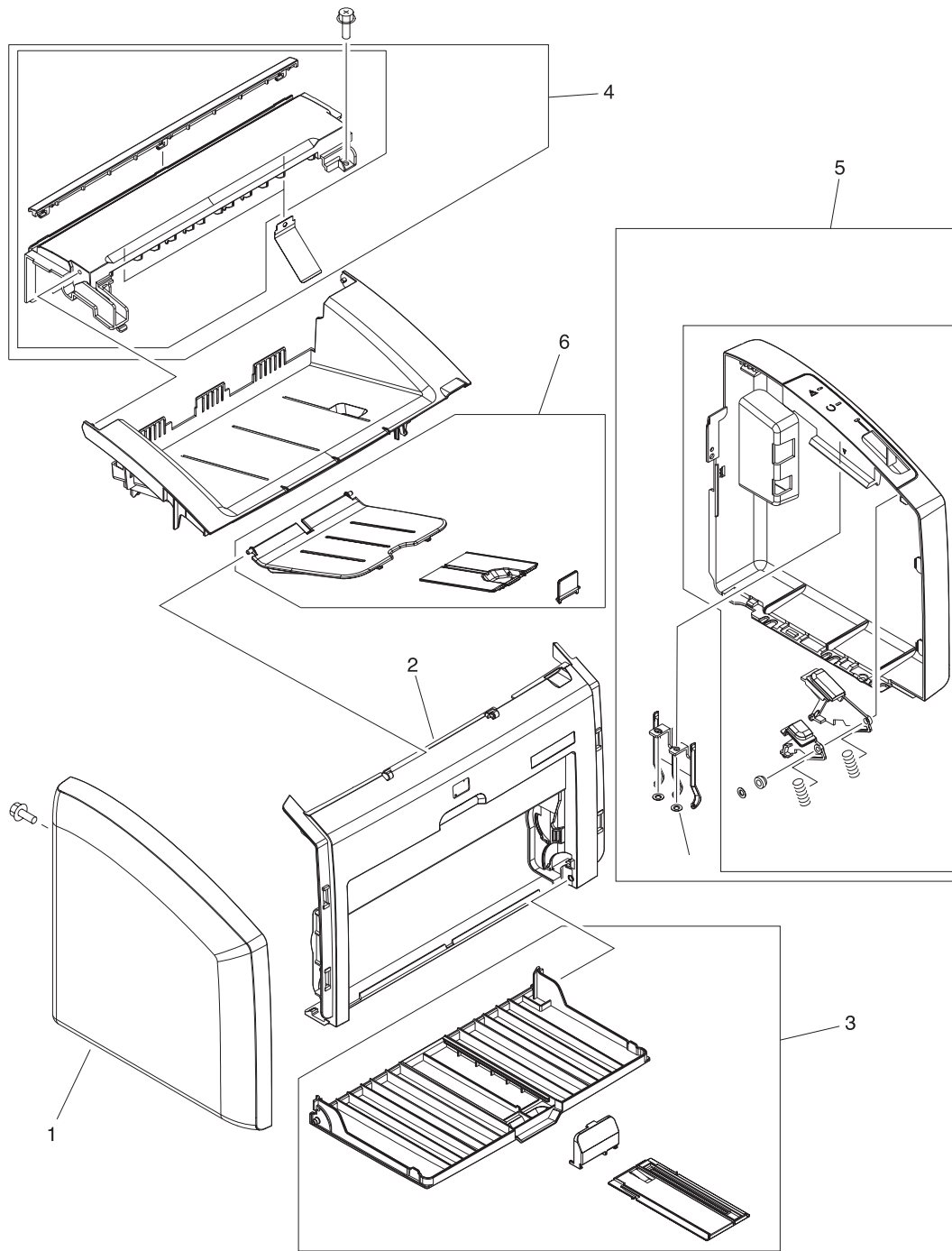


Figure 7-1 External covers and panels

Table 7-4 External covers and panels

Ref	Description	Part number	Qty
1	Cover, left	RC1-5524-000CN	1
2	Cover, front	RL1-0784-000CN	1
3	Paper pickup tray assembly (main input tray)	RM1-2035-000CN	1
4	Top cover assembly (includes fuser cover and print cartridge door)	RM1-2036-000CN	1
5	Cover, right assembly	RM1-2054-000CN	1
6	Output bin extension (delivery tray assembly)	RM1-2055-000CN	1

Internal components

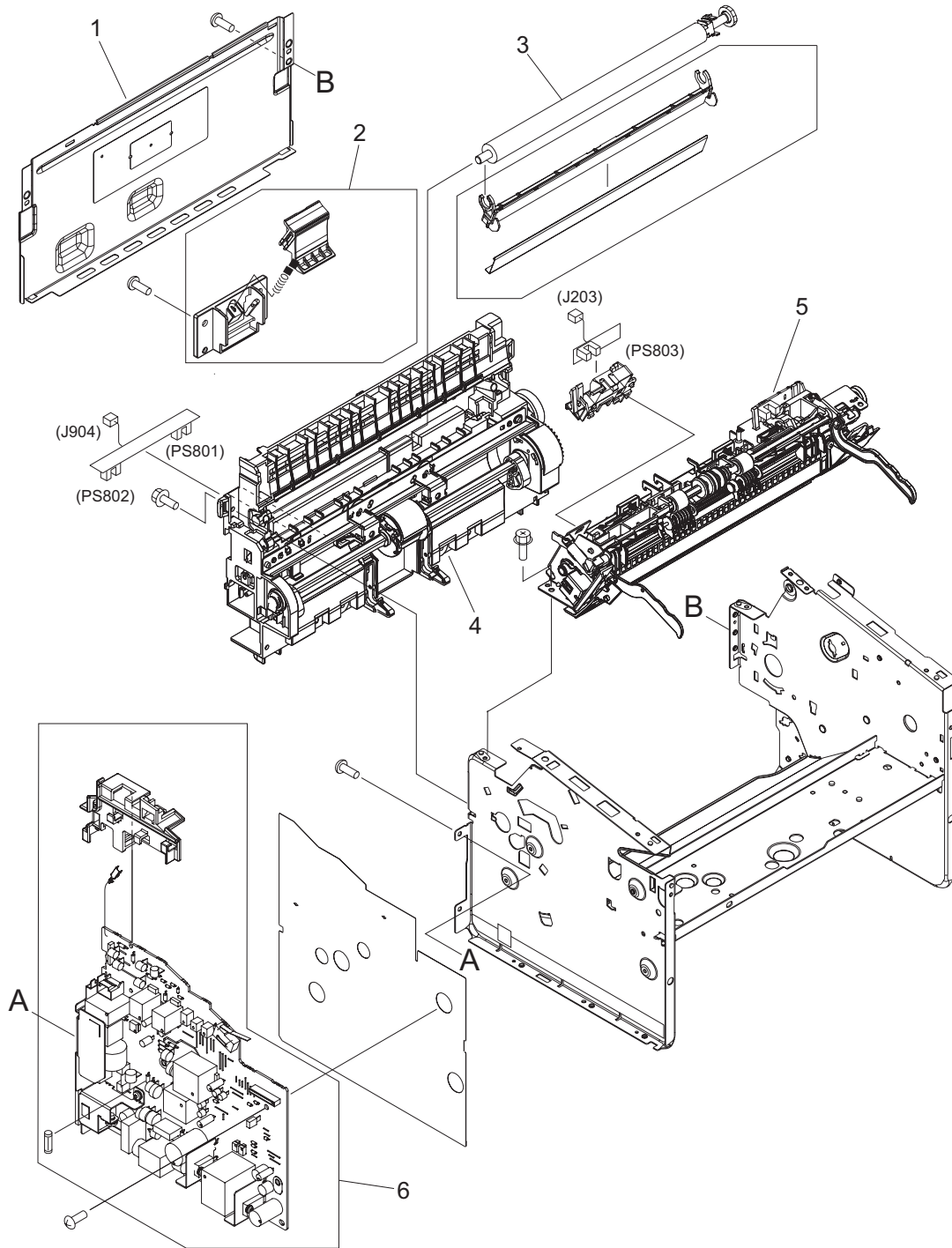


Figure 7-2 Internal components (1 of 3)

Table 7-5 Internal components (1 of 3)

Ref	Description	Part number	Qty
1	Panel, rear	RC1-5520-000CN	1
2	Separation pad assembly	RM1-2048-000CN	1
3	Transfer roller assembly	RM1-2062-000CN	1
4	Paper pickup assembly	RM1-2043-000CN	1
5	Fuser (fixing) assembly 110 to 127V	RM1-2049-000CN	1
5	Fuser (fixing) assembly 220 to 240 V	RM1-2050-000CN	1
6	Power supply 110 to 127 V	RM1-2310-000CN	1
6	Power supply 220 to 240 V	RM1-2311-000CN	1

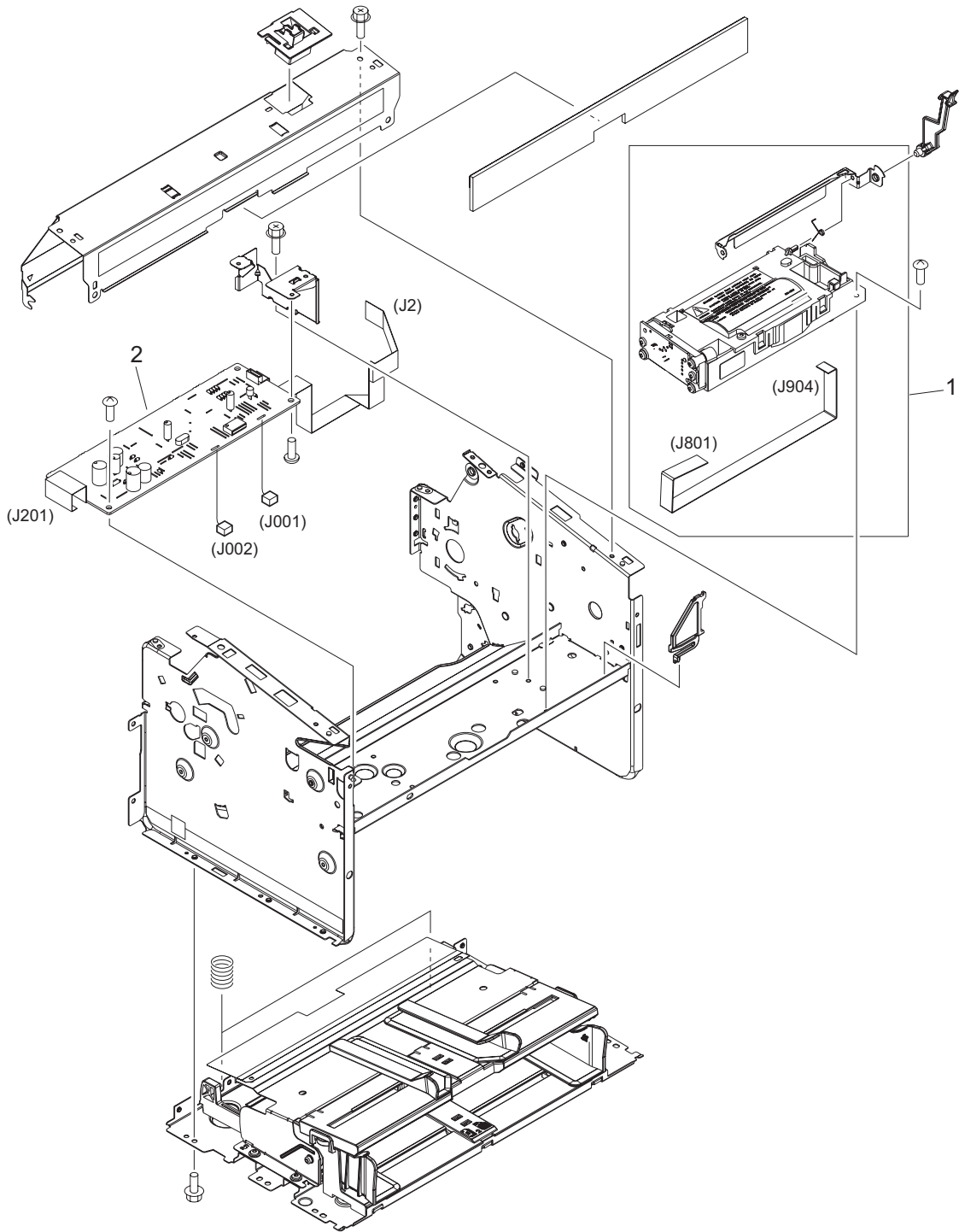


Figure 7-3 Internal components (2 of 3)

Table 7-6 Internal components (2 of 3)

Ref	Description	Part number	Qty
1	Laser/scanner assembly	RM1-2033-000CN	1
2	Engine controller unit (ECU)	RM1-2309-000CN	1

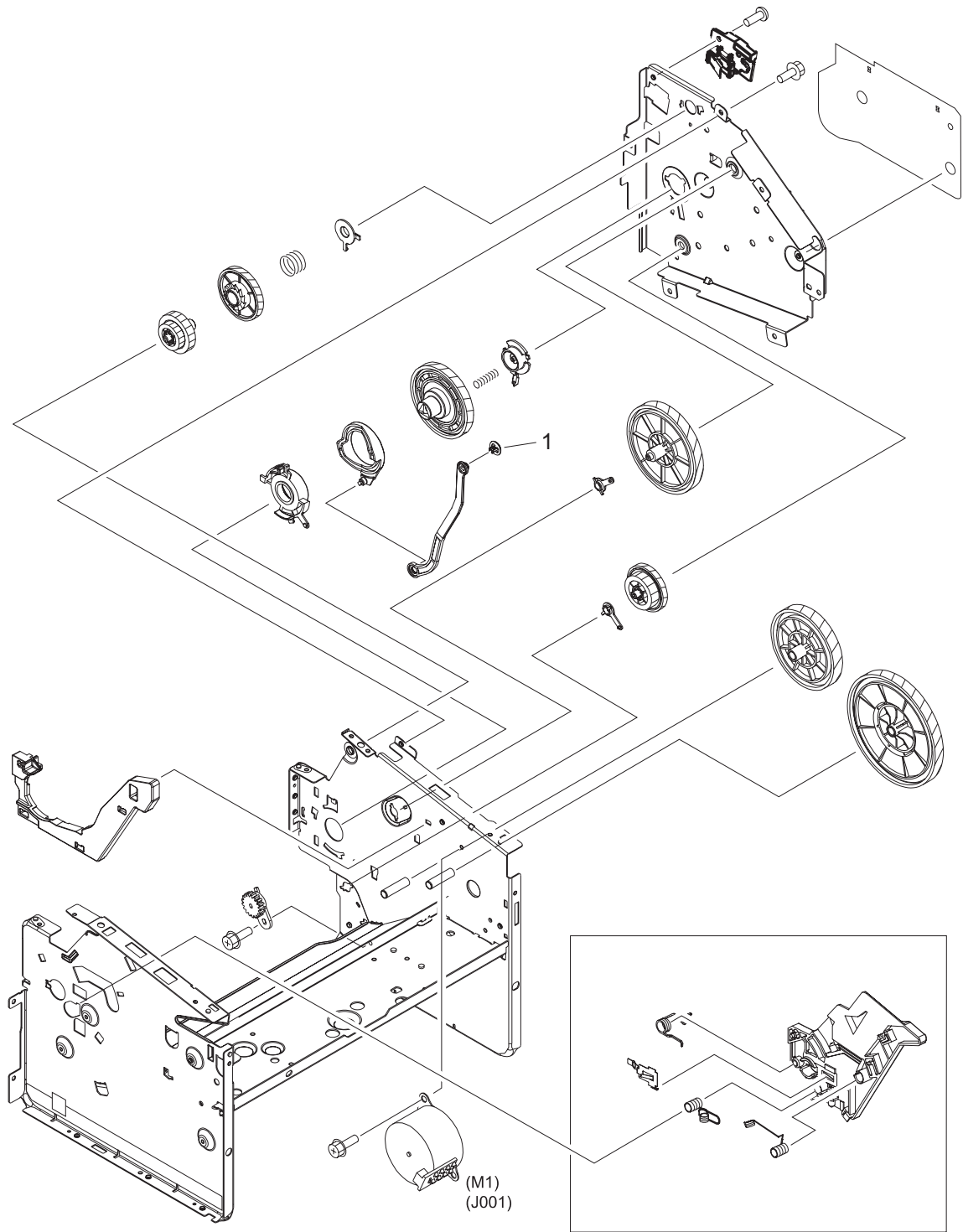


Figure 7-4 Internal components (3 of 3)

Table 7-7 Internal components (3 of 3)

Ref	Description	Part number	Qty
1	Stopper, door link clip	RC1-1957-000CN	1

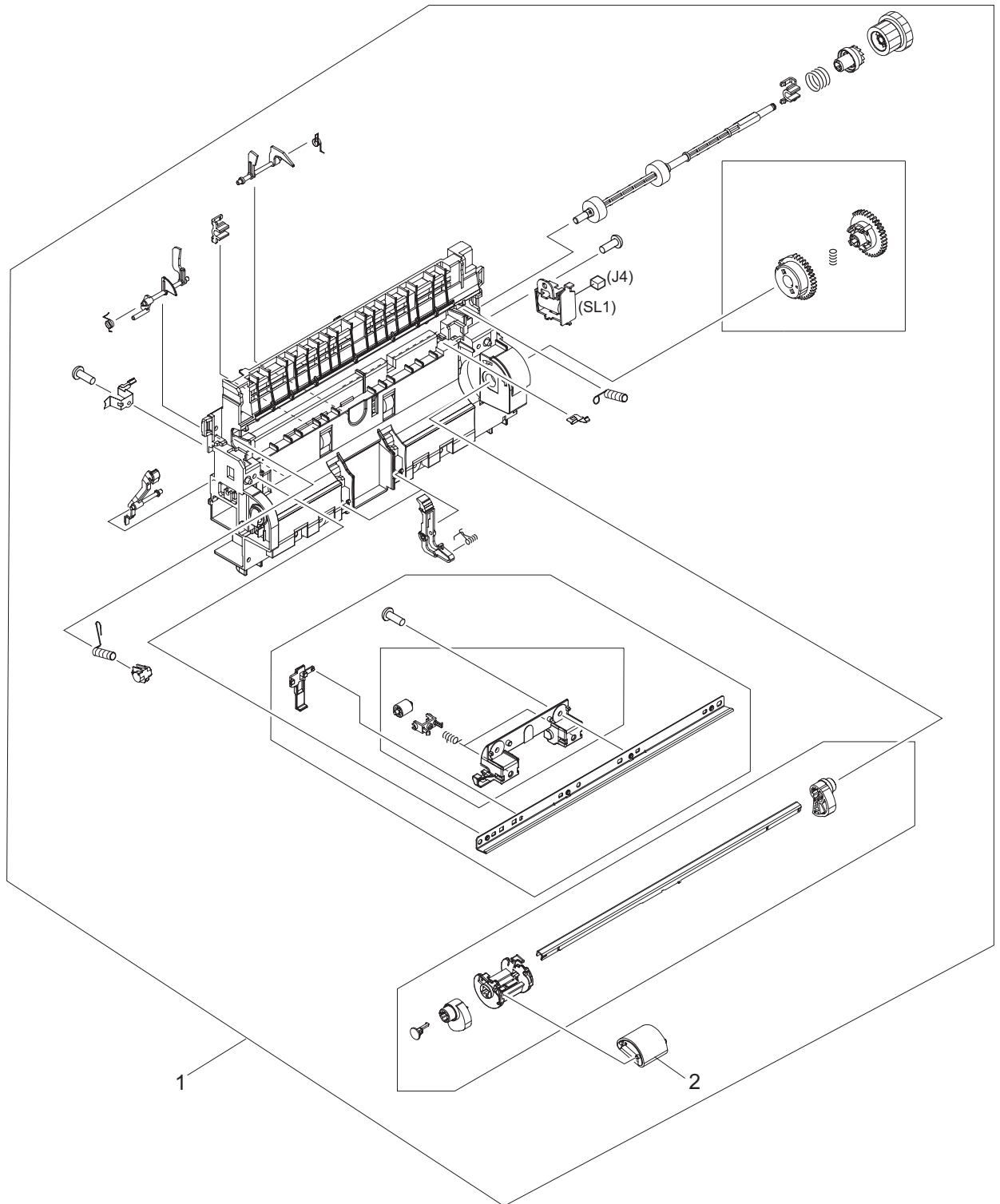


Figure 7-5 Paper-pickup assembly

Table 7-8 Paper-pickup assembly

Ref	Description	Part number	Qty
1	Paper-pickup assembly	RM1-2043-000CN	1
2	Roller, pickup	RL1-0266-000CN	1

Alphabetical parts list

Table 7-9 Alphabetical parts list

Description	Part number	Table and page
Cover, front	RL1-0784-000CN	External covers and panels on page 129
Cover, left	RC1-5524-000CN	External covers and panels on page 129
Cover, right assembly	RM1-2054-000CN	External covers and panels on page 129
Engine controller unit (ECU)	RM1-2309-000CN	Internal components (2 of 3) on page 133
Fuser (fixing) assembly 110 to 127V	RM1-2049-000CN	Internal components (1 of 3) on page 131
Fuser (fixing) assembly 220 to 240 V	RM1-2050-000CN	Internal components (1 of 3) on page 131
HP LJ 1022nw-220V (exchange engine w/formatter)	Q5914-67055	Printer exchange on page 127
HP LJ 1022nw-220V (refurbished)	Q5914-69055	Printer exchange on page 127
HP LJ 1022nw-220V (replacement)	Q5914-67055	Printer exchange on page 127
HP LJ 1022-110V Printer (exchange engine w/formatter)	Q5912-67056	Printer exchange on page 127
HP LJ 1022-110V Printer (refurbished)	Q5912-69056	Printer exchange on page 127
HP LJ 1022-110V Printer (replacement)	Q5912-67056	Printer exchange on page 127
HP LJ 1022-220V Printer (exchange engine w/formatter)	Q5912-67055	Printer exchange on page 127
HP LJ 1022-220V Printer (refurbished)	Q5912-69055	Printer exchange on page 127
HP LJ 1022-220V Printer (replacement)	Q5912-67055	Printer exchange on page 127
HP LJ 1022n-110V Printer (exchange engine w/formatter)	Q5913-67056	Printer exchange on page 127
HP LJ 1022n-110V Printer (refurbished)	Q5913-69056	Printer exchange on page 127
HP LJ 1022n-110V Printer (replacement)	Q5913-67056	Printer exchange on page 127
HP LJ 1022n-220V (exchange engine w/formatter)	Q5913-67055	Printer exchange on page 127
HP LJ 1022n-220V (refurbished)	Q5913-69055	Printer exchange on page 127
HP LJ 1022n-220V (replacement)	Q5913-67055	Printer exchange on page 127
HP LJ 1022nw-110V (exchange engine w/formatter)	Q5914-67056	Printer exchange on page 127
HP LJ 1022nw-110V (refurbished)	Q5914-69056	Printer exchange on page 127
HP LJ 1022nw-110V (replacement)	Q5914-67056	Printer exchange on page 127
HP LJ 1022/1022n formatter	Q5427-60001	Printer exchange on page 127

Table 7-9 Alphabetical parts list (continued)

Description	Part number	Table and page
HP LJ 1022/1022n/1022nw network connector	Q5914-60102	Printer exchange on page 127
HP LJ 1022nw formatter	Q3969-60002	Printer exchange on page 127
HP LJ 1022nw wireless cable	Q5914-60102	Printer exchange on page 127
HP LJ 1022nw wireless module	Q5914-60001	Printer exchange on page 127
Laser/scanner assembly	RM1-2033-000CN	Internal components (2 of 3) on page 133
Nameplate HP LJ 1022	Q5912-00005	Printer exchange on page 127
Nameplate HP LJ 1022n	Q5912-00001	Printer exchange on page 127
Nameplate HP LJ 1022nw	Q5912-00002	Printer exchange on page 127
Output bin extension (delivery tray assembly)	RM1-2055-000CN	External covers and panels on page 129
Panel, rear	RC1-5520-000CN	Internal components (1 of 3) on page 131
Paper pickup assembly	RM1-2043-000CN	Internal components (1 of 3) on page 131
Paper pickup tray assembly (main input tray)	RM1-2035-000CN	External covers and panels on page 129
Paper-pickup assembly	RM1-2043-000CN	Paper-pickup assembly on page 137
Power supply 110 to 127 V	RM1-2310-000CN	Internal components (1 of 3) on page 131
Power supply 220 to 240 V	RM1-2311-000CN	Internal components (1 of 3) on page 131
Roller, pickup	RL1-0266-000CN	Paper-pickup assembly on page 137
Separation pad assembly	RM1-2048-000CN	Internal components (1 of 3) on page 131
Stopper, door link clip	RC1-1957-000CN	Internal components (3 of 3) on page 135
Top cover assembly (includes fuser cover and print cartridge door)	RM1-2036-000CN	External covers and panels on page 129
Transfer roller assembly	RM1-2062-000CN	Internal components (1 of 3) on page 131

Numerical parts list

Table 7-10 Numerical parts list

Part number	Description	Table and page
Q3969-60002	HP LJ 1022nw formatter	Printer exchange on page 127
Q5427-60001	HP LJ 1022/1022n formatter	Printer exchange on page 127
Q5912-00001	Nameplate HP LJ 1022n	Printer exchange on page 127
Q5912-00002	Nameplate HP LJ 1022nw	Printer exchange on page 127
Q5912-00005	Nameplate HP LJ 1022	Printer exchange on page 127
Q5912-67055	HP LJ 1022-220V Printer (replacement)	Printer exchange on page 127
Q5912-67055	HP LJ 1022-220V Printer (exchange engine w/formatter)	Printer exchange on page 127
Q5912-67056	HP LJ 1022-110V Printer (replacement)	Printer exchange on page 127
Q5912-67056	HP LJ 1022-110V Printer (exchange engine w/formatter)	Printer exchange on page 127
Q5912-69055	HP LJ 1022-220V Printer (refurbished)	Printer exchange on page 127
Q5912-69056	HP LJ 1022-110V Printer (refurbished)	Printer exchange on page 127
Q5913-67055	HP LJ 1022n-220V (replacement)	Printer exchange on page 127
Q5913-67055	HP LJ 1022n-220V (exchange engine w/formatter)	Printer exchange on page 127
Q5913-67056	HP LJ 1022n-110V Printer (replacement)	Printer exchange on page 127
Q5913-67056	HP LJ 1022n-110V Printer (exchange engine w/formatter)	Printer exchange on page 127
Q5913-69055	HP LJ 1022n-220V (refurbished)	Printer exchange on page 127
Q5913-69056	HP LJ 1022n-110V Printer (refurbished)	Printer exchange on page 127
Q5914-60001	HP LJ 1022nw wireless module	Printer exchange on page 127
Q5914-60102	HP LJ 1022nw wireless cable	Printer exchange on page 127
Q5914-60102	HP LJ 1022/1022n/1022nw network connector	Printer exchange on page 127
Q5914-67055	HP LJ 1022nw-220V (replacement)	Printer exchange on page 127
Q5914-67055	HP LJ 1022nw-220V (exchange engine w/formatter)	Printer exchange on page 127
Q5914-67056	HP LJ 1022nw-110V (replacement)	Printer exchange on page 127
Q5914-67056	HP LJ 1022nw-110V (exchange engine w/formatter)	Printer exchange on page 127
Q5914-69055	HP LJ 1022nw-220V (refurbished)	Printer exchange on page 127
Q5914-69056	HP LJ 1022nw-110V (refurbished)	Printer exchange on page 127
RC1-5520-000CN	Panel, rear	Internal components (1 of 3) on page 131
RC1-5524-000CN	Cover, left	External covers and panels on page 129
RC1-1957-000CN	Stopper, door link clip	Internal components (3 of 3) on page 135

Table 7-10 Numerical parts list (continued)

Part number	Description	Table and page
RL1-0266-000CN	Roller, pickup	Paper-pickup assembly on page 137
RL1-0784-000CN	Cover, front	External covers and panels on page 129
RM1-2033-000CN	Laser/scanner assembly	Internal components (2 of 3) on page 133
RM1-2035-000CN	Paper pickup tray assembly (main input tray)	External covers and panels on page 129
RM1-2036-000CN	Top cover assembly (includes fuser cover and print cartridge door)	External covers and panels on page 129
RM1-2043-000CN	Paper pickup assembly	Internal components (1 of 3) on page 131
RM1-2043-000CN	Paper-pickup assembly	Paper-pickup assembly on page 137
RM1-2048-000CN	Separation pad assembly	Internal components (1 of 3) on page 131
RM1-2049-000CN	Fuser (fixing) assembly 110 to 127V	Internal components (1 of 3) on page 131
RM1-2050-000CN	Fuser (fixing) assembly 220 to 240 V	Internal components (1 of 3) on page 131
RM1-2054-000CN	Cover, right assembly	External covers and panels on page 129
RM1-2055-000CN	Output bin extension (delivery tray assembly)	External covers and panels on page 129
RM1-2062-000CN	Transfer roller assembly	Internal components (1 of 3) on page 131
RM1-2309-000CN	Engine controller unit (ECU)	Internal components (2 of 3) on page 133
RM1-2310-000CN	Power supply 110 to 127 V	Internal components (1 of 3) on page 131
RM1-2311-000CN	Power supply 220 to 240 V	Internal components (1 of 3) on page 131

Index

A

ac bias 50
ac power distribution 48
accessories, ordering 123
acoustic emissions 7
alignment, troubleshooting 107,
111
Attention light
 locating 15
 patterns 95

B

background, gray 103
base memory 5
beam detect (BD) signal 50
bidirectional communications 43
bin, output
 capacity 5
 extension, replacing 67
 jams, clearing 37, 97
bins, output
 extension, replacing 36
black dots, troubleshooting 102,
108
blank pages, troubleshooting 101
block diagrams
 image formation 49
 product functions 45
breaking paper reams 112
buffer memory 44
buttons, control panel 3, 15

C

cables, part numbers 123
Canadian DOC regulations 10
Cancel Job button 3, 15
capacity, tray 2
card stock
 specifications 19
Care Pack, HP 8

cartridge area, cleaning 27
cartridge door
 locating 3
 removing 70
cartridges
 checking 100, 115
 drum rotation check 114
 extending life of 43
 life expectancies 24
 life expectancy 5
 operations 50, 51
 part numbers 123
 recycling 9
 redistributing toner 100
 refilled 9
 removing 59
central processing unit (CPU),
 formatter 43
characters, misprinted 102, 106
charging roller
 operations 50
 power supply 48
checklists
 preservice 58
checks
 drum rotation 114
 half-self-test 113
 high-voltage power supply
 115
 print cartridges 100
circuit capacity specifications 7
circuit diagram 118
circuitry, power system 48
classes, HP Technical Training
122
cleaning
 high-voltage connection points
 116
 high-voltage contacts 115
 outside of printer 26

 pickup roller 29
 print cartridge area 27
 print path 26
cleaning page 94
cleaning stage, image formation
 process 51
clipped pages, troubleshooting
101
cloth, toner 123
Coldfire processor 43
communication operations 43
complex pages, printing 44
conditioning stage, image formation
 process 50
configuration report 94
connection points
 high-voltage power supply
 116
 print cartridge 115
consumables
 life expectancies 24
 ordering 122
control panel
 buttons 3, 15
 lights 3, 15, 95
 operations 43
 reset factory default settings
 (cold reset) 94
 troubleshooting 92
controller PCA 46
country of origin, identifying 5
cover front
 part numbers 129, 138, 141
cover left
 part numbers 129, 138, 140
cover right
 part numbers 129, 138, 141
covers, part numbers 128
covers, removing
 front 75

- left side 70
- rear 70
- right side 68
- CPU, formatter 43
- crooked pages, troubleshooting 107, 111
- curl, troubleshooting 107, 111
- Customer Care Online 122
- cut-off edges 101

D

- data communication operations 43
- dc bias 50
- dc controller PCA 46
- dc power distribution 48
- delay jams 53
- delivery sensor, paper (PS803)
 - feeding operations 51
 - jam detection operations 53
- delivery tray extension, replacing 36, 67
- delivery-delay jams 53
- delivery-stationary jams 53
- demo page 94
- density
 - operations 48
 - troubleshooting 102
- developing roller 48
- developing stage, image formation process 50
- dimensions, product 6, 14
- documentation, ordering 122
- door link clip
 - part number 135, 139, 140
- dots per inch, maximum 5
- dots, troubleshooting 102, 108
- dpi, maximum 5
- draft mode 43
- DRAM, formatter 43
- drivers, ordering 122
- dropouts, troubleshooting 102, 106
- drum
 - inspecting 100
 - operations 50, 51
 - rotation functional check 114
- drum cleaning stage, image formation process 51
- duty cycle 5

- dynamic random access memory (DRAM), formatter 43

E

- EconoMode 43
- ECU
 - functions 46
 - jam detection operations 53
 - laser/scanner operations 47
 - paper feeding operations 51
 - removing 85
 - sequence of operations 55
- edges, not printing 101
- electrical specifications 7
- electrophotographic processes
 - operations 49, 50
 - testing 113
- electrostatic discharge (ESD),
 - precautions for 58
- element, heating 51
- engine control unit. *See* ECU
- engine controller unit *ECU
 - part numbers 133, 138, 141
- engine power assembly
 - operations 48
 - removing 80
- Enhanced I/O 44
- envelopes
 - loading 20
 - specifications 18
- environmental specifications 6, 14
- errors, control panel lights 95
- ESD (electrostatic discharge),
 - precautions for 58
- exchange, printer 126
- exit rollers, fuser assembly 51
- extended warranty 8

F

- faded areas, troubleshooting 109
- fasteners, types of 124
- features
 - firmware 5
 - printers 2
- feed assembly drive rollers 51
- feed system, paper 51
- feeding problems, troubleshooting 111

- field replaceable units (FRUs) 125
- Finland, laser safety statement for 11
- firmware features 5
- first page out 5
- fixing assembly. *See* fuser assembly
- flowchart, troubleshooting 92
- focusing lenses, operations 50
- formatter
 - features 5
 - operations 43
 - sequence of operations 55
- front cover, removing 75
- fuser (fixing) assembly
 - removing 82
- fuser 110 V
 - part numbers 131, 138, 141
- fuser 220 V
 - part numbers 131, 138, 141
- fuser assembly
 - exit rollers 51
 - life expectancy 24
 - operations 51
 - temperature, adjusting 104
- fuser cover, removing 70
- fuses, overcurrent protection (F101, F102) 48
- fusing stage, image formation process 51

G

- Go light and button 3, 15
- gray background, troubleshooting 103

H

- half-self-test functional check 113
- hardware maintenance agreements 8
- heating element 51
- heavy media
 - specifications 19
- high-voltage power supply
 - connector assembly, checking 116
 - operations 48
 - testing 115
- HP Care Pack 8

HP Customer Care Online 122
HP Jetdirect print servers, ordering
123
HP Technical Training 122
humidity
specifications 6

I

I/O, Enhanced 44
idle mode, power consumption 7
image density
troubleshooting 102
voltage operations 48
image formation process
operations 49, 50
testing 113
image quality, troubleshooting
about 100
blank pages 101
characters, misprinted 106
curled paper 107, 111
dropouts 102
faded areas 109
gray background 103
lines 103
loose toner 104
repetitive defects 105
repetitive image defect ruler
117
scattered toner 108
skewed pages 107, 111
smears 104
specks 102
water droplets 110
white stripes 108
wrinkled pages 109
input tray
capacity 2
feeding operations 51
jams, clearing 37
loading 20
locating 3
media sizes supported 16
multifeeds 111
replacing 35, 66
internal components, part numbers
130
INTR (Initial Rotation Period) 55

J

jams
clearing 37, 97
detection operations 53
frequent 111
Jetdirect print servers, ordering
123

K

keys, control panel 3, 15
Korean EMI statement 10

L

labels
loading 20
specifications 17
laser safety statement 10
laser/scanner assembly
operations 47
part numbers 133, 139, 141
precautions 58
removing 89
latent electrostatic image 50
leading edge detection operations
53
left side cover, removing 70
lenses, operations 50
letterhead
loading 20
specifications 17
life expectancies
extending print cartridge 43
print cartridges 5
recycling used print cartridges
9
supplies 24
lift plate operations 51
lights, control panel
locating 3, 15
patterns 95
lines, troubleshooting 103, 108
loading paper 20
loose toner, troubleshooting 104
LPT ports, troubleshooting 93
LSTR (Last Rotation Period) 55

M

machine screws 124
main input tray
capacity 2
feeding operations 51

feeding problems,
troubleshooting 111
jams, clearing 37
loading 20
locating 3
media sizes supported 16
replacing 35, 66
main wiring diagram 118
maintenance agreements 8
manuals, ordering 122
margins, minimum 101
media
breaking reams 112
card stock 19
curled 107, 111
envelopes 18, 20
feeding operations 51
jam detection operations 53
jams, clearing 37, 97
labels 17, 20
letterhead 17, 20
loading main input tray 20
margins, minimum 101
multifeeds 111
sizes 16
specifications 16
storing 111
transparencies 17, 20
troubleshooting 17
type, setting 21
wrinkled 109
memory
base 5
buffer 44
formatter 43
Memory Enhancement technology
(MEt) 5, 44
mirror operations 50
misalignment, troubleshooting
107, 111
model number 5
models, features 2
motor
operations 46
multifeeds
replacing separation pad 33,
64
troubleshooting 111

- N**
- network ports
 - included 2
 - locating 4
- noise specifications 7
- NVRAM
 - operations 43
- O**
- on/off switch, locating 4
- Online Customer Care, HP 122
- operating environment, specifications 6, 14
- operations
 - block diagrams 45
 - ECU 46
 - Enhanced I/O 44
 - formatter 43
 - image formation 49
 - jam detection 53
 - laser/scanner 47
 - overcurrent/overvoltage protection 48
 - paper feeding 51
 - sequence of 55
 - systems 42
- ordering parts and supplies 122
- output bin
 - capacity 5
 - jams, clearing 37, 97
 - locating 3
- output bin extension
 - part numbers 129, 139, 141
- output path
 - cleaning 26
 - operations 51
- output-bin extension, replacing 36, 67
- overcurrent/overvoltage protection 48
- P**
- Page Protect 44
- pages per minute 6
- pages per month 5
- pages, demo 94
- panel rear
 - part numbers 131, 139, 140
- paper
 - breaking reams 112
 - curled 107, 111
 - feeding operations 51
 - jam detection operations 53
 - jams, clearing 37, 97
 - loading main input tray 20
 - margins, minimum 101
 - multifeeds 111
 - sizes 16
 - specifications 16
 - storing 111
 - troubleshooting 17
 - type, setting 21
 - wrinkled 109
- paper delivery sensor (PS803)
 - feeding operations 51
 - jam detection operations 53
- paper feed problems, troubleshooting 111
- paper feed system 51
- paper lift plate operations 51
- paper pickup assembly
 - part numbers 136
 - removing 84
- paper pickup tray assembly
 - part numbers 129, 139, 141
- paper size settings 101
- paper top sensor (PS801) 51, 53
- paper-out sensor (PS201) 51, 53
- parallel cable, part number 123
- part numbers
 - accessories 123
 - cover front 129, 138, 141
 - cover left 129, 138, 140
 - cover right 129, 138, 141
 - covers 128
 - door link clip 135, 139, 140
 - engine controller unit (ECU) 133, 138, 141
 - fuser 110 V 131, 138, 141
 - fuser 220 V 131, 138, 141
 - internal components 130
 - laser/scanner assembly 133, 139, 141
 - output bin extension 129, 139, 141
 - panel rear 131, 139, 140
 - paper pickup assembly 136
 - paper pickup tray assembly 129, 139, 141
 - pickup roller 137, 139, 141
 - power supply 110 V 131, 139, 141
 - power supply 220 131, 139, 141
 - printer exchange 126
 - separation pad 131, 139, 141
 - top cover assembly 129, 139, 141
 - transfer roller 131, 139, 141
 - voltage 125
- partial characters, troubleshooting 102, 106
- parts
 - ordering 122
 - removing and replacing 58
 - user-replaceable 30, 61
- parts removal order 60
- path
 - feeding operations 51, 52
 - print, cleaning 26
- photosensitive drum
 - inspecting 100
 - operations 50, 51
 - rotation functional checks 114
- photosensors
 - jam detection operations 53
 - locating 54, 119
 - paper feed system 51
- physical specifications 6
- pickup delay jams 53
- pickup roller
 - cleaning 29
 - operations 51
 - part numbers 137, 139, 141
 - replacing 30, 61
- pickup solenoid (SL001)
 - locating 54, 119
 - operations 51, 53
- pickup stationary jam 53
- pliers, required 58
- ports
 - communication operations 43
 - included 2
 - locating 4
 - LPT, troubleshooting 93
- power
 - control operations 46
 - specifications 7
- power cord, part number 123
- power supplies

- disconnecting 58
- engine power assembly 48
- removing 80
- testing high-voltage 115
- power supply 110 V
 - part numbers 131, 139, 141
- power supply 220 V
 - part numbers 131, 139, 141
- power switch, locating 4
- ppm (pages per minute) 6
- preservice checklist 58
- pressure roller, operations 51
- primary charging roller
 - operations 50
 - power supply 48
- print cartridge area, cleaning 27
- print cartridge door
 - locating 3
 - removing 70
- print cartridges
 - checking 100, 115
 - drum rotation check 114
 - extending life of 43
 - life expectancies 24
 - life expectancy 5
 - operations 50, 51
 - part numbers 123
 - recycling 9
 - redistributing toner 100
 - refilled 9
 - removing 59
- print density
 - troubleshooting 102
 - voltage operations 48
- print path
 - cleaning 26
 - feeding operations 51, 52
- PRINT period 55
- print quality, troubleshooting
 - about 100
 - blank pages 101
 - characters, misprinted 106
 - curled paper 107, 111
 - dropouts 102
 - faded areas 109
 - gray background 103
 - lines 103
 - loose toner 104
 - repetitive defects 105

- repetitive image defect ruler 117
- scattered toner 108
- skewed pages 107, 111
- smears 104
- specks 102
- water droplets 110
- white stripes 108
- wrinkled pages 109
- print servers, ordering 123
- printer drivers, ordering 122
- printer exchange 126
- printer separation pad
 - life expectancy 24
 - locating 4
 - operations 51
 - replacing 33, 64
- printing, troubleshooting 93, 111
- priority input slot
 - feeding operations 51
 - feeding problems,
 - troubleshooting 111
 - loading 20
 - locating 3
- processor, formatter 43
- product configurations 2
- production code 5

Q

- quality, troubleshooting
 - about 100
 - blank pages 101
 - characters, misprinted 106
 - curled paper 107, 111
 - dropouts 102
 - faded areas 109
 - gray background 103
 - lines 103
 - loose toner 104
 - repetitive defects 105
 - repetitive image defect ruler 117
 - scattered toner 108
 - skewed pages 107, 111
 - smears 104
 - specks 102
 - water droplets 110
 - white stripes 108
 - wrinkled pages 109

R

RAM

- base 5
- formatter 43

Ready light

- locating 3, 15
- patterns 95

reams, breaking 112

rear panel, removing 70

recycling print cartridges 9

redistributing toner 100

reduction settings 101

refilled print cartridges 9

regulatory statements 10

removing

- engine control unit assembly 85
- engine power assembly 80
- engine-power assembly 80
- front cover 75
- fuser assembly 82
- fuser cover 70
- laser/scanner assembly 89
- left-side cover 70
- order of 60
- paper pickup assembly 84
- parts 58
- power assembly 80
- print cartridge door 70
- rear panel 70
- right-side cover 68
- top-cover assembly 70
- transfer-roller assembly 77

repetitive defects, troubleshooting 105, 117

replacement intervals

- print cartridges 5
- recycling used print cartridges 9
- supplies 24

replacing

- field replaceable units (FRUs) 125
- main input tray 35, 66
- order of 60
- output-bin extension 36, 67
- parts 58
- pickup roller 30, 61
- separation pad 33, 64

reports, troubleshooting 94

- reset factory default settings (cold reset), control panel 94
- residual paper jams 53
- Resolution Enhancement technology (REt) 5
- resolution, maximum 5
- revision level 5
- right side cover, removing 68
- rollers
 - cleaning near 26
 - cleaning pickup 29
 - high-voltage power operations 48
 - image formation operations 50
 - life expectancies 24
 - paper feeding operations 51
 - repetitive image defect ruler 117
 - replacing pickup 30, 61
 - transfer, removing 77
- ROM, base 5
- rotation test 114
- ruler, repetitive defect 117
- S**
- scanning exposure stage, image formation process 50
- scatter, toner 108
- schedules, HP Technical Training 122
- screwdrivers, required 58
- screws
 - self-tapping 58
 - types of 124
- sensors
 - jam detection operations 53
 - locating 54, 119
 - paper feed system 51
- separation pad
 - life expectancies 24
 - locating 4
 - operations 51
 - replacing 33, 64
- separation pad assembly
 - part numbers 131, 139, 141
- separation stage, image formation process 50
- serial number 5
- signals, VIDEO 55
- size
 - margins, minimum 101
 - media 16
 - printer 6, 14
- skew, troubleshooting 107, 111
- smears, toner 104
- software
 - installation, troubleshooting 93
 - ordering 122
- solenoid (SL001)
 - locating 54, 119
 - operations 51, 53
- space requirements 6, 14
- specifications
 - acoustic emissions 7
 - card stock 19
 - electrical 7
 - envelopes 18
 - environmental 6
 - features 2
 - labels 17
 - letterhead 17
 - media 16
 - physical 6
 - transparencies 17
- specks, toner 102, 108
- speed
 - data transfer 44
 - printing 6
 - processor 43
- spots 102, 108
- stages, image formation 50, 113
- static eliminator, operations 50
- static, precautions for 58
- stationary jams 53
- status information, relaying 43
- STBY (Standby) period 55
- storage environment, specifications 6
- storing paper 111
- stripes, vertical white 108
- supplies
 - life expectancies 24
 - ordering 122
- support, technical 122
- T**
- teardown tree 60
- technical support 122
- Technical Training 122
- temperature
 - fuser settings 104
 - specifications 6
 - storing paper 111
- tests
 - drum rotation 114
 - half-self functional check 113
 - high-voltage power supply 115
- text, troubleshooting 102, 106
- timing diagram, general 56
- toner
 - cloth, ordering 123
 - image formation operations 50
 - loose, troubleshooting 104
 - redistributing 100
 - scattered, troubleshooting 108
 - smears, troubleshooting 104
 - specks, troubleshooting 102, 108
 - waste cleaning operations 51
- toner cartridges. See print cartridges
- tools, required 58
- top cover assembly
 - part numbers 129, 139, 141
- top cover assembly, removing 70
- trailing edge, detection 53
- Training, HP Technical 122
- transfer roller
 - cleaning around 26
 - operations 50
 - part numbers 131, 139, 141
 - power supply 48
 - removing 77
- transfer stage, image formation process 50
- transparencies
 - cleaning print path with 26
 - loading 20
 - specifications 17
- trays
 - capacity 2
 - feeding operations 51
 - jams, clearing 37
 - loading 20
 - locating 3

- media sizes supported 16
- multifeeds 111
- replacing 35, 66
- troubleshooting
 - basic 92
 - blank pages 101
 - characters, misprinted 106
 - control panel 92, 94
 - control panel lights 95
 - control panel pages 94
 - curled paper 107, 111
 - dropouts 102
 - drum rotation check 114
 - faded areas 109
 - feeding problems 111
 - half self-test 113
 - high-voltage contacts check 115
 - jams 37
 - jams, clearing 97
 - lines 103
 - loose toner 104
 - LPT ports 93
 - media 17
 - multifeeds 111
 - print cartridges 100
 - print quality 100
 - printing 92, 93
 - repetitive image defect ruler 117
 - scattered toner 108
 - skewed pages 107, 111
 - smearred toner 104
 - software installation 93
 - specks 102
 - water droplets 110
 - white stripes 108
 - wrinkled pages 109
- two-way communications 43
- type, setting media 21

U

- unplugging printer 58
- USB cable, part number 123
- USB interface 43
- user-replaceable parts 30, 61

V

- vacuums, cautions against 27
- ventilation requirements 14
- vertical defects, troubleshooting 105
- vertical lines, troubleshooting 103
- vertical white stripes, troubleshooting 108
- VIDEO signals 55
- voltage
 - dc power supply 48
 - high-voltage power supply 48
 - overvoltage protection 48
 - part numbers 125

W

- WAIT period 55
- warranty
 - extended 8
 - refilled cartridges, impact on 9
- waste toner receptacle 51
- water on pages, troubleshooting 110
- wave, troubleshooting 107, 111
- websites, ordering parts 122
- weight
 - print cartridge 100
- Wireless light 3, 15
- wireless networking 2
- wiring diagram 118
- wrapping jams 53
- wrinkled pages, troubleshooting 109, 111
- writing stage, image formation process 50

© 2005 Hewlett-Packard Development Company, L.P.

www.hp.com



Q5912-90901