
3 Parts and diagrams

- [Order parts by authorized service providers](#)
- [How to use the parts lists and diagrams](#)
- [Scanner and document feeder main assemblies](#)
- [Covers](#)
- [Internal assemblies](#)
- [Input device\(s\)](#)
- [Alphabetical parts list](#)
- [Numerical parts list](#)

Order parts by authorized service providers

Orderable parts

Table 3-1 Order parts, accessories, and supplies

Order supplies and paper	www.hp.com/go/suresupply
Order genuine HP parts or accessories	www.hp.com/buy/parts
Order through service or support providers	Contact an HP-authorized service or support provider.

Whole unit replacement

Table 3-2 Pro 300 Color MFP M375nw

Part number	Description
CE903-69009	Prod-Exchange 220V M375nw WUR EMEA
CE903-69010	Prod-Exchange 110V M375nw WUR NAR/TW
CE903-69011	Prod-Exchange 220V M375nw WUR AP/LAR
CE903-69012	Prod-Exchange 220V M375nw WUR CL/AR
CE903-67062	Prod-New 220V M375nw WUR CN/MY
CE903-67058	Prod-New 110V M375nw WUR BR

Table 3-3 Pro 400 Color MFP M475dn

Part number	Description
CE863-69001	Prod-Exchange 220V CM475dn WUR EMEA
CE863-69002	Prod-Exchange 110V CM475dn WUR NAR/TW
CE863-69003	Prod-Exchange 220V CM475dn WUR AP/LAR
CE863-69004	Prod-Exchange 220V CM475dn WUR CL/AR
CE863-67061	Prod-New 220V CM475dn WUR CN/MY
CE863-67062	Prod-New 110V CM475dn WUR BR

Table 3-4 Pro 400 Color M475dw

Part number	Description
CE864-69001	Prod-Exchange 220V CM475dw WUR EMEA
CE864-69002	Prod-Exchange 110V CM475dw WUR NAR/TW
CE864-69003	Prod-Exchange 220V CM475dw WUR AP/LAR

Table 3-4 Pro 400 Color M475dw (continued)

CE864-69004	Prod-Exchange 220V CM475dw WUR CL/AR
CE864-67061	Prod-New 220V CM475dw WUR CN/MY
CE864-67062	Prod-New 110V CM475dw WUR BR


Related documentation and software

Table 3-5 Related documentation and software


Item	Description	Part number
<i>HP LaserJet Pro 300 Color MFP HP LaserJet Pro 400 Color MFP User Guide</i>	Product user guide.	CE863-90907
<i>HP LaserJet Pro 300 Color MFP HP LaserJet Pro 400 Color MFP Service Manual</i>	English service manual (this manual)	CE863-90966

Supplies and accessories

Item	Part number	Cartridge number	Description
Toner cartridges	CE410-67901	305A	Standard-capacity black toner cartridge with HP ColorSphere toner
	CE411-67901	305A	Cyan toner cartridge with HP ColorSphere toner
	CE412-67901	305A	Yellow toner cartridge with HP ColorSphere toner
	CE413-67901	305A	Magenta toner cartridge with HP ColorSphere toner
Memory	CB423A		256 MB memory DIMM
Paper-handling accessories	RM1-8063-000C N		250-sheet paper feeder (optional Tray 3)
USB cable	8121-0868		2-meter A-to-B cable

 **NOTE:** For information about the yield for the cartridges, see www.hp.com/go/pageyield. Actual yield depends on specific use.


Service parts


 **NOTE:** The parts in the following table are not shown in the assembly illustrations in this chapter.

Item	Description	Part number
Regulatory label	Blank label	5969-9497

How to use the parts lists and diagrams

The figures in this chapter show the major subassemblies in the product and their component parts. A parts list table follows each exploded view assembly diagram. Each table lists the item number, the associated part number, and the description of each part. If a part is not listed in the table, then it is not a field replacement unit (FRU).

 **CAUTION:** Be sure to order the correct part. When looking for part numbers for electrical components, pay careful attention to the voltage that is listed in the description column. Doing so will ensure that the part number selected is for the correct all-in-one model.

 **NOTE:** In this manual, the abbreviation “PCA” stands for “printed circuit-board assembly.” Components described as a PCA might consist of a single circuit board or a circuit board plus other parts, such as cables and sensors.

Scanner and document feeder main assemblies

Figure 3-1 Scanner and document feeder main assemblies

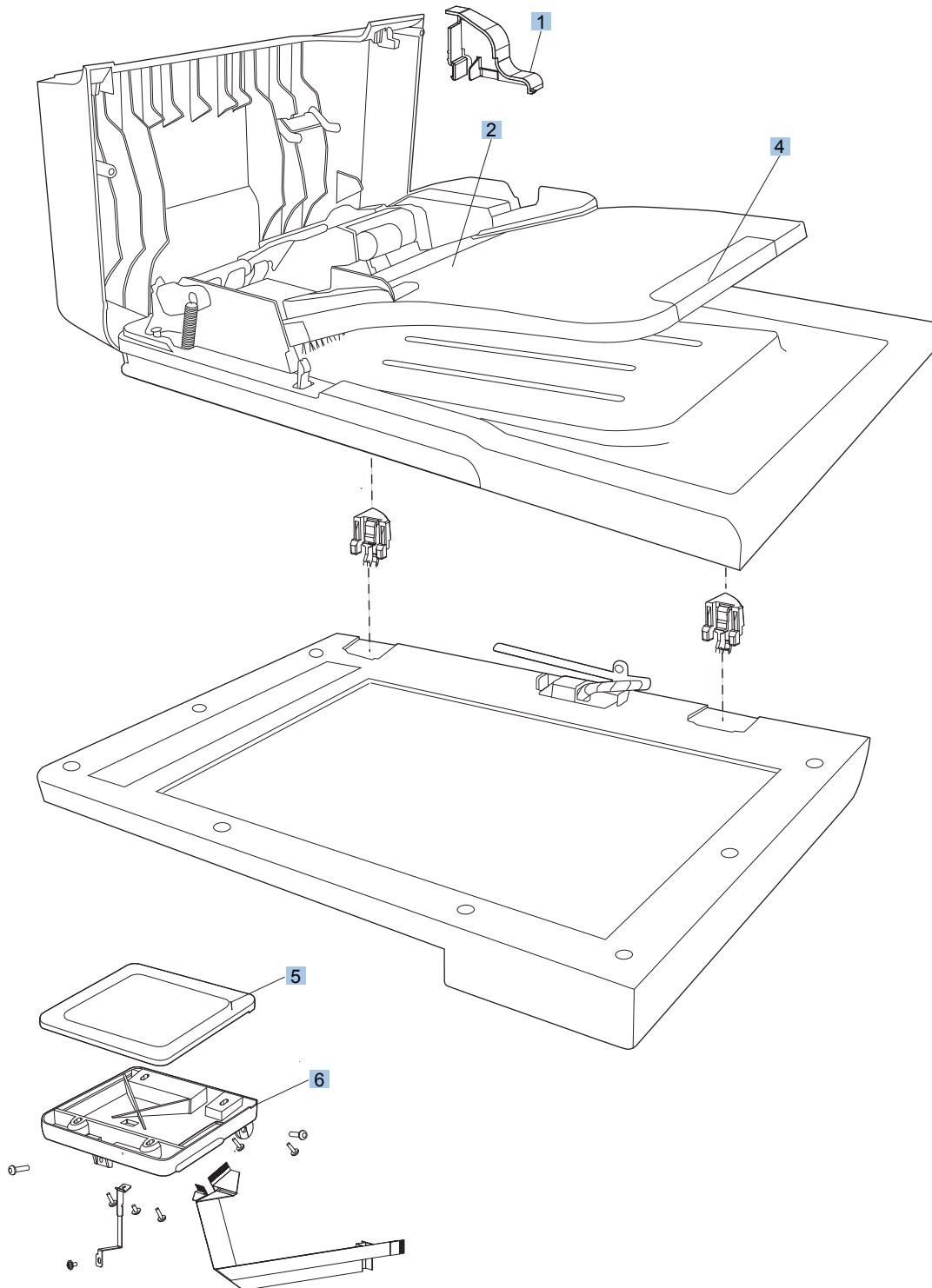


Table 3-6 Scanner and document feeder main assemblies

Ref	Description	Part number	Qty
1	Scanner assembly (simplex)	CE903-60101	1
1	Scanner assembly (duplex)	CE863-60119	1
2	Document feeder assembly (simplex)	CE863-60106	1
2	Document feeder assembly (duplex)	CE863-60101	1
3	Document feeder pickup assembly	5851-2559	1
4	Document feeder input tray	CE863-60113	1
5	Control-panel assembly	CE863-60015	1
6	Control-panel mount	CE863-40018	1

Covers

Figure 3-2 External panels and covers

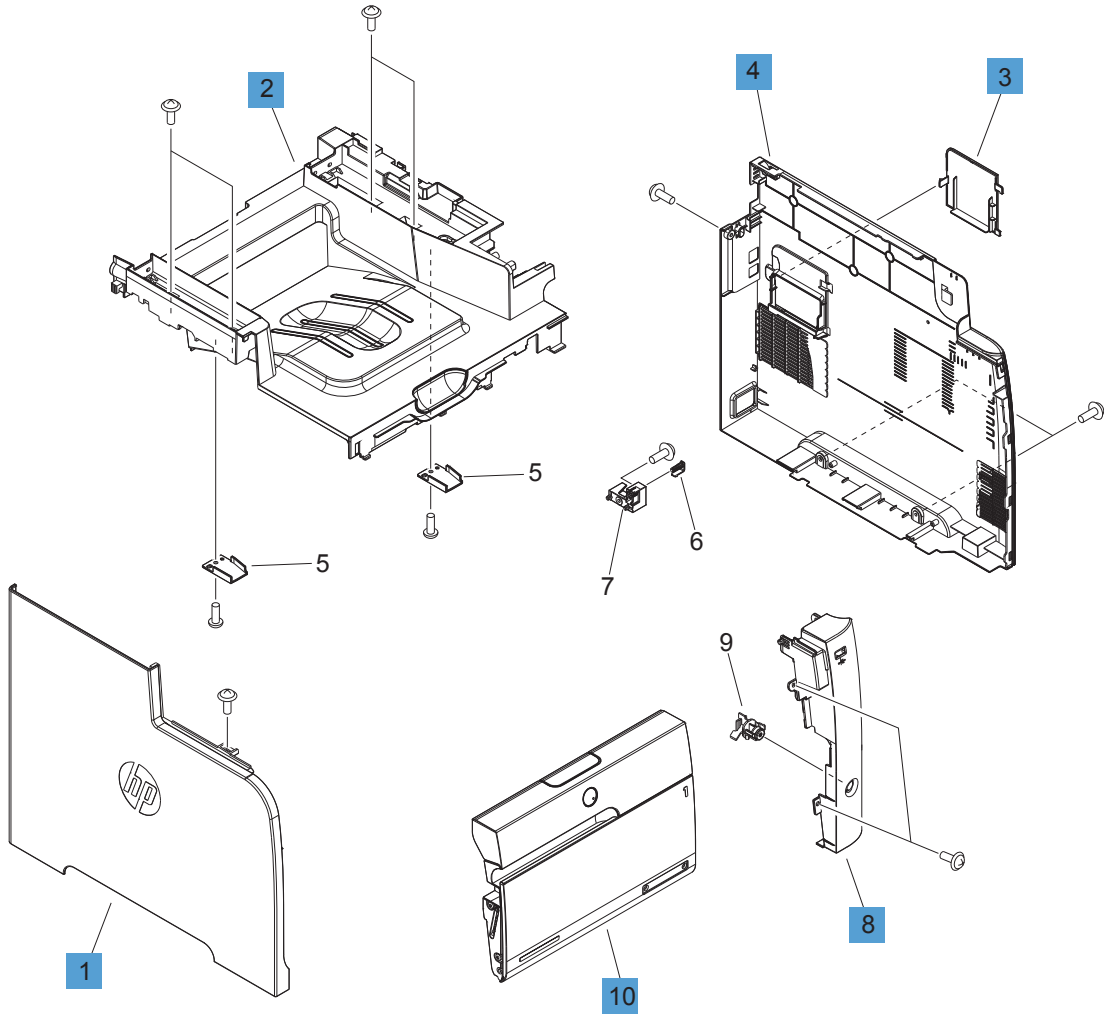


Table 3-7 Covers^{1,2}

Ref	Description	Part number	Qty
1	Cover, left	RL1-3063-000	1
2	Cover, upper assembly	RM1-8060-000	1
3	Cover, DIMM	RC3-1751-000	1
4	Cover, right	RC3-1732-000	1
8	Cover, right front	RC3-1733-000	1
10	Door, front assembly	RM1-8064-000	1

¹ For simplex products, the rear cover and the rear door are shown in [Figure 3-8 Internal assemblies \(simplex models\) on page 264](#).

² For duplex products, the upper-rear cover, lower-rear cover, and the rear door are shown in [Figure 3-9 Internal assemblies \(duplex models\) on page 266](#).

Internal assemblies

Internal assemblies (1 of 5)

Figure 3-3 Internal assemblies (1 of 7)

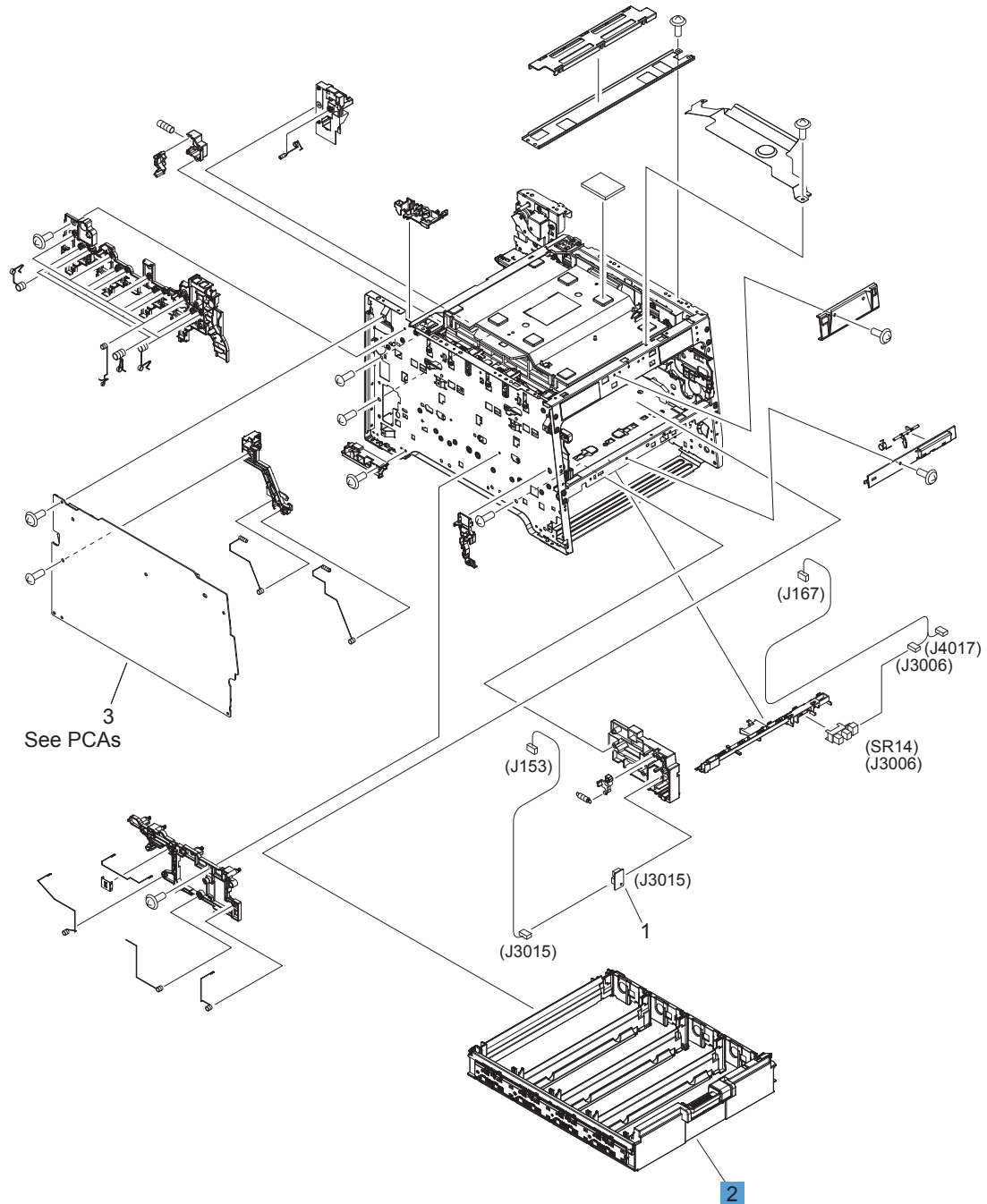


Table 3-8 Internal assemblies (1 of 7)

Ref	Description	Part number	Qty
2	Cartridge-tray assembly	RM1-8041-000	1

Internal assemblies (2 of 5)

Figure 3-4 Internal assemblies (2 of 2)

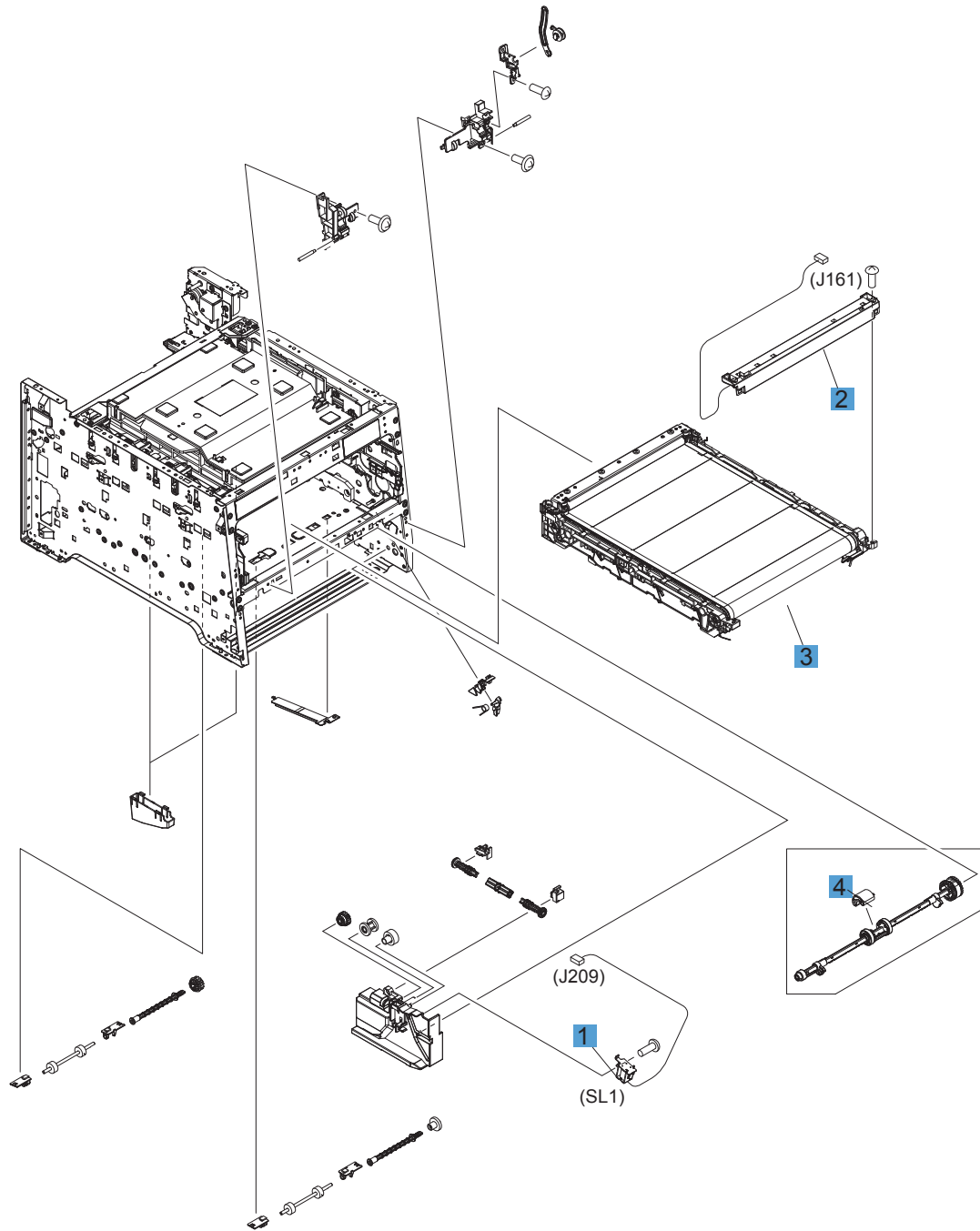


Table 3-9 Internal assemblies (2 of 7)

Ref	Description	Part number	Qty
1	Solenoid, Tray 1 (SL1; MP tray)	RM1-5420-000	1
2	Color misregistration sensor assembly	RM1-8029-000	1
3	Intermediate transfer belt (ITB)	RM1-4852-000	1
4	Roller, paper-pickup Tray 1	RL1-1802-000	1

Internal components (3 of 5)

Figure 3-5 Internal assemblies (3 of 7)

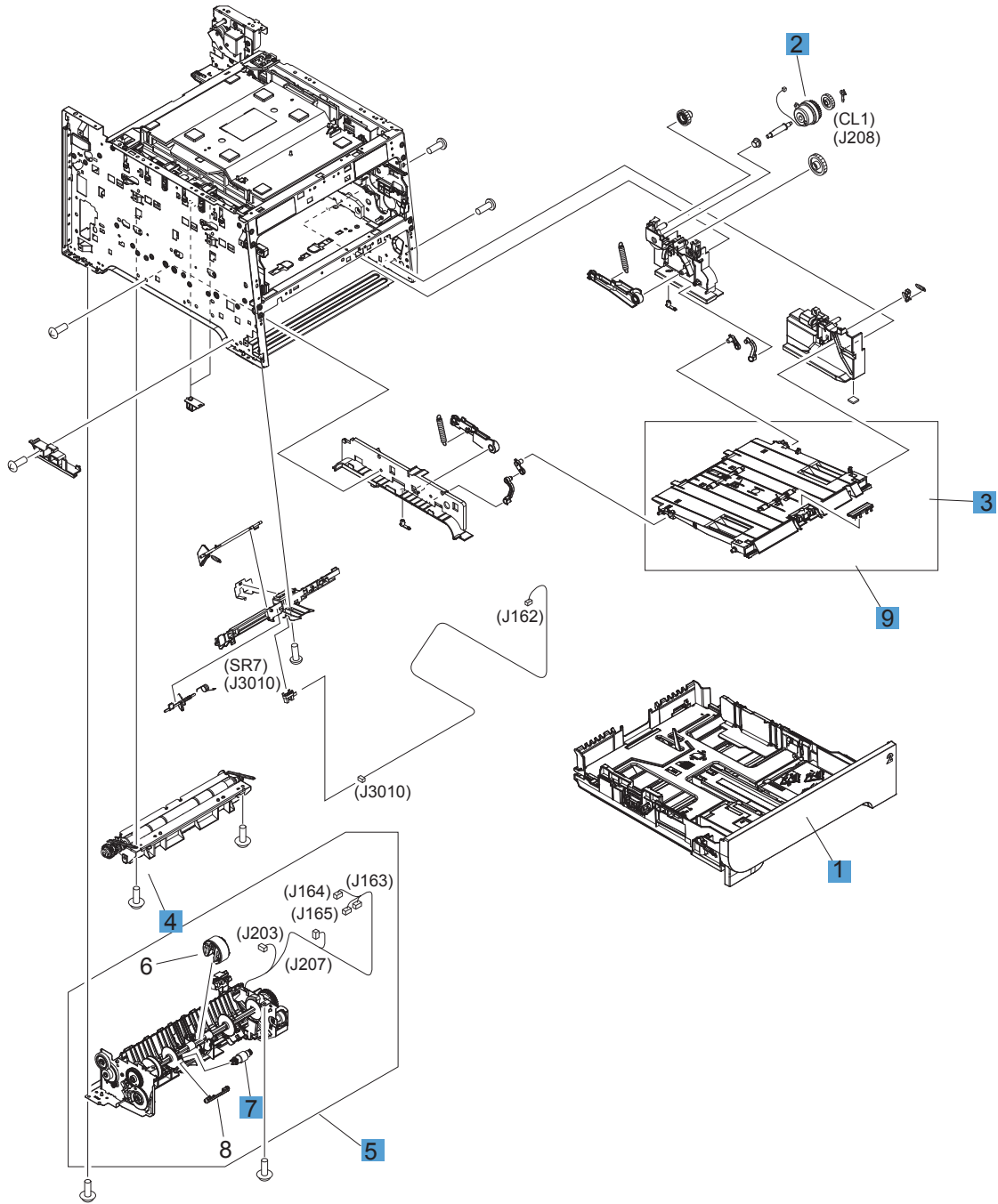


Table 3-10 Internal assemblies (3 of 7)

Ref	Description	Part number	Qty
1	Cassette, Tray 2	RM1-8063-000	1
2	Multi purpose clutch assembly	RM1-8318-000	1
3	Pad, separation Tray 1	RL1-1785-000CN	1
4	Registration assembly	RM1-4841-000	1
5	Paper pickup assembly	RM1-8045-000	1
6	Tray 2 paper pickup roller assembly	RM1-8047-000	1
7	Tray 2 separation roller assembly	RM1-4840-000	1
9	Multi purpose tray assembly	RM1-8610-000	1

Internal assemblies (4 of 5)

Figure 3-6 Internal assemblies (4 of 7)

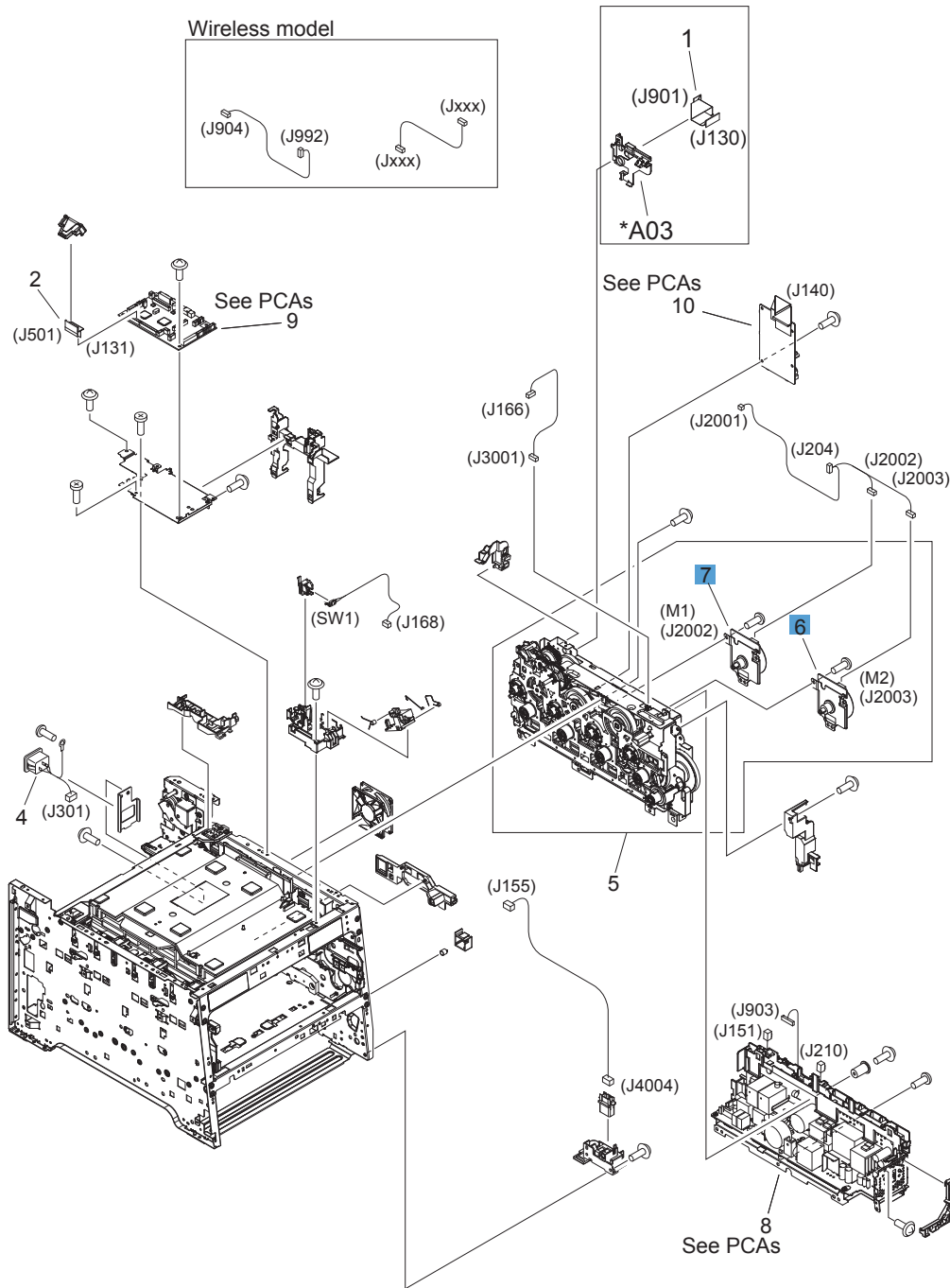


Table 3-11 Internal assemblies (4 of 7)

Ref	Description	Part number	Qty
6	Motor, developer DC (M1)	RL1-3053-000	1
7	Motor, drum DC (M2)	RL1-1800-000	1
8	Fan	RK2-3847-000	

Internal assemblies (5 of 5)

Figure 3-7 Internal assemblies (5 of 7)

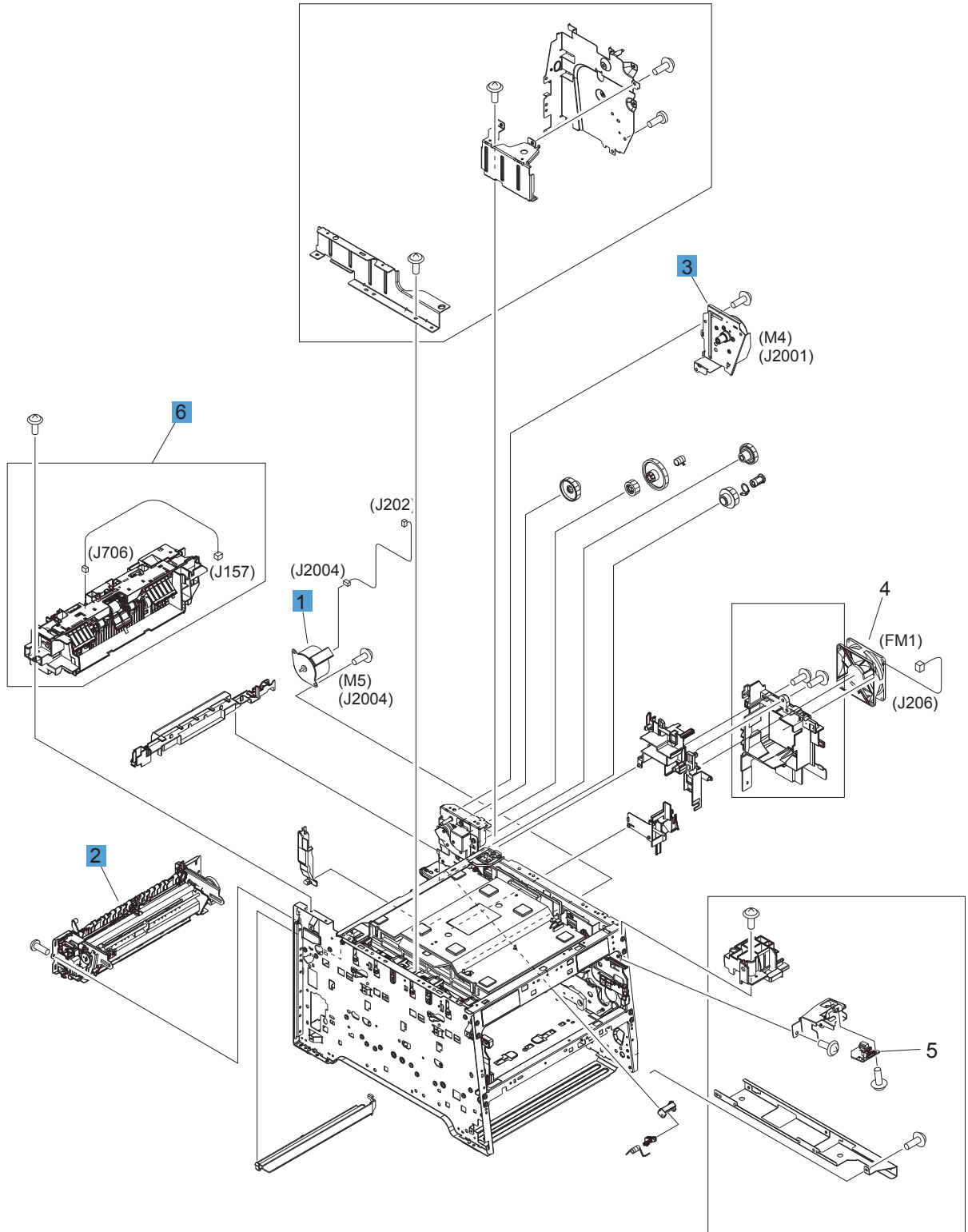


Table 3-12 Internal assemblies (5 of 7)

Ref	Description	Part number	Qty
1	Motor, feed assembly (M5)	RM1-5419-000	1
2	Fuser assembly (110v)	RM1-8061-000	1
2	Fuser assembly (220v)	RM1-8062-000	1
3	Motor, fuser assembly (M4)	RM1-8609-000	1
6	Paper delivery assembly	RM1-8049-000	1

Internal assemblies (simplex models)

Figure 3-8 Internal assemblies (simplex models)

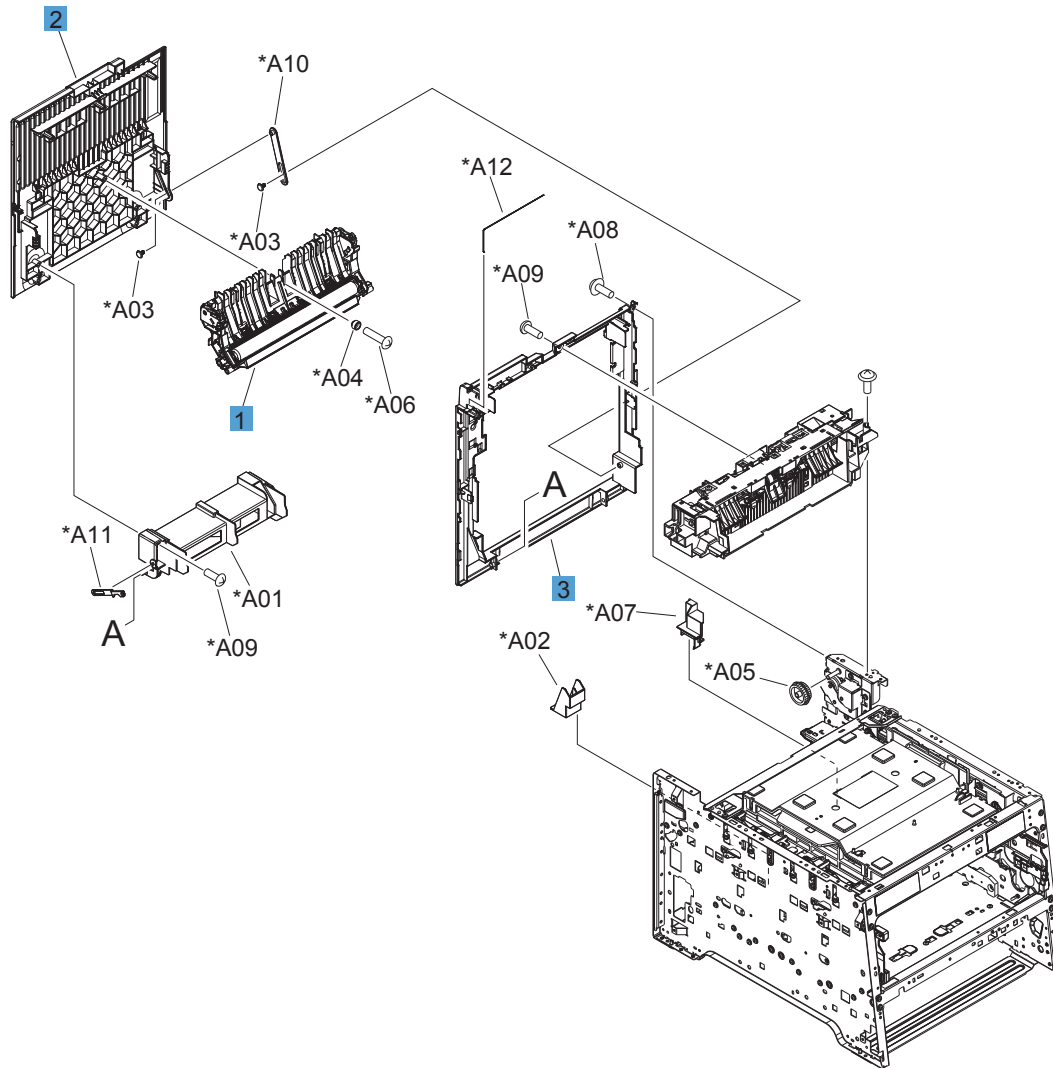


Table 3-13 Internal assemblies (simplex models)

Ref	Description	Part number	Qty
1	Paper feed guide assembly (simplex; includes transfer roller)	RM1-8043-000	1
2	Door, rear (simplex)	RC3-1665-000	1
3	Cover, rear (simplex)	RL1-3072-000	1

Internal assemblies (duplex models)

Figure 3-9 Internal assemblies (duplex models)

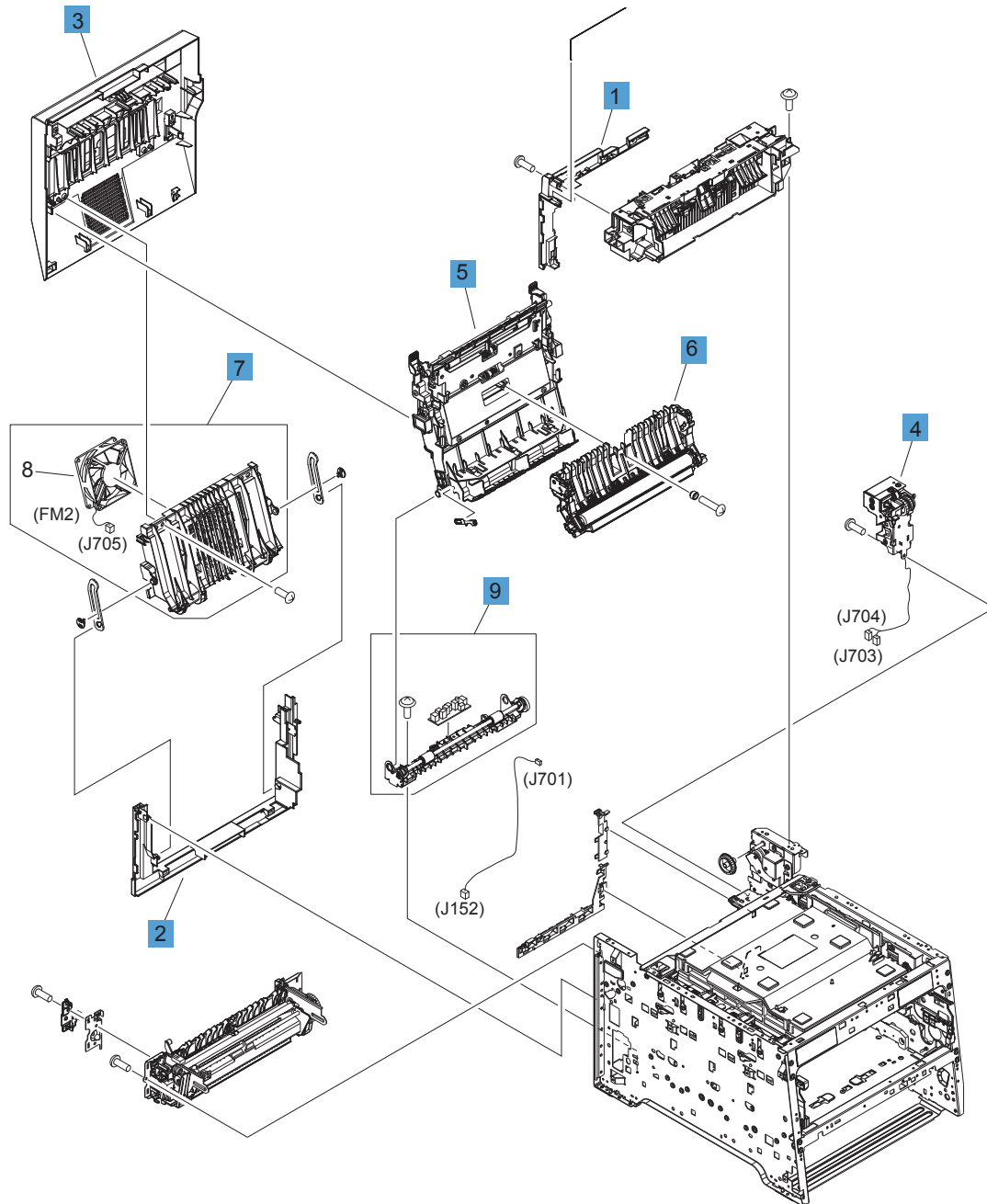


Table 3-14 Internal assemblies (duplex models)

Ref	Description	Part number	Qty
1	Cover, upper-rear (duplex)	RL1-3068-000	1
2	Cover, lower-rear (duplex)	RC3-1700-000	1
3	Door, rear (duplex)	RM1-8052-000	1
4	Reverse drive assembly (duplex)	RM1-4880-000	1
5	Feed guide, duplex assembly (duplex; includes transfer roller) ¹	RM1-4879-000	1
6	Paper feed guide assembly (duplex; includes transfer roller)	RM1-8043-000	1
7	Rib assembly, rear-door (duplex)	RM1-8053-000	1
9	Paper-pickup guide assembly (duplex)	RM1-8051-000	1

¹ For a broken link-guide: you must replace either the duplexing-feed guide assembly, or the entire product (the interior paper guide is not replaceable).

PCAs

Figure 3-10 PCAs

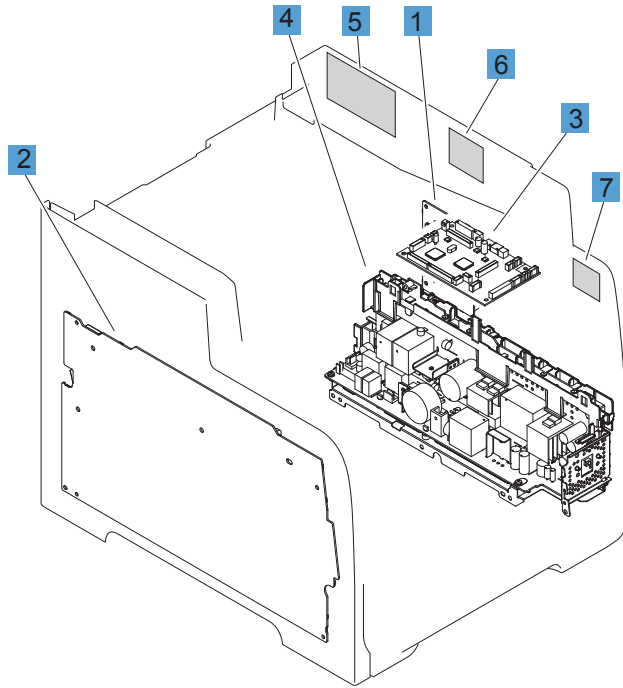


Table 3-15 PCAs

Ref	Description	Part number	Qty
1	Driver PCA	RM1-8032-000	1
2	High-voltage power supply	RM1-8031-000	1
3	DC controller	RM1-8039-000	1
4	Low-voltage power supply (110v)	RM1-9034-000	1
4	Low-voltage power supply (220v)	RM1-9036-000	1
5	Fax PCA	CE682-60001	1
5	Fax PCA (Europe only)	CE683-60001	1
6	Wireless controller PCA	1150-7938	1
7	USB connector PCA	RK2-3846-000	1
Not shown	Formatter PCA	CE855-60001	1

Input device(s)

250-sheet paper feeder (optional Tray 3)

Figure 3-11 250-sheet paper feeder (optional Tray 3)

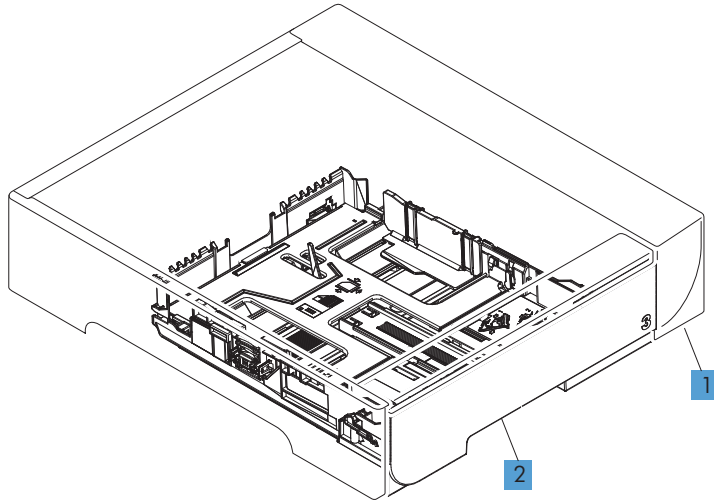


Table 3-16 250-sheet paper feeder (optional Tray 3)

Ref	Description	Part number	Qty
1	250-sheet paper feeder (optional Tray 3; includes cassette)	RM1-8544-000CN	1
2	Cassette (optional Tray 3)	RM1-8063-000CN	1