
3 Parts and diagrams

- [Order parts by authorized service providers](#)
- [How to use the parts lists and diagrams](#)
- [Covers](#)
- [Internal assemblies](#)
- [Input device\(s\)](#)
- [Alphabetical parts list](#)
- [Numerical parts list](#)

Order parts by authorized service providers

Orderable parts

Table 3-1 Order parts, accessories, and supplies

Order supplies and paper	www.hp.com/go/suresupply
Order genuine HP parts or accessories	www.hp.com/buy/parts
Order through service or support providers	Contact an HP-authorized service or support provider.

Whole unit replacement

Table 3-2 Pro 300 Color M351a

Part number	Description
CE955-69056	Prod-Exchange 220V M351nw WUR EMEA
CE955-69001	Prod-Exchange 220V M351nw WUR AP
CE955-67057	Prod-New 220V M351nw WUR CN

Table 3-3 Pro 400 Color MFP M451dn

Part number	Description
CE957-69056	Prod-Exchange 220V M451dn WUR EMEA
CE957-69001	Prod-Exchange 220V M451dn WUR AP
CE957-69055	Prod-Exchange 110V M451dn WUR WW
CE957-67057	Prod-New 220V M451dn WUR CN

Table 3-4 Pro 400 ColorMFP M451nw

Part number	Description
CE956-69056	Prod-Exchange 220V M451 nw WUR EMEA
CE956-69001	Prod-Exchange 220V M451nw WUR AP
CE956-69055	Prod-Exchange 110V M451nw WUR WW
CE956-67057	Prod-New 220V M451nw WUR CN

Table 3-5 Pro 400 ColorMFP M451dw

Part number	Description
CE958-69056	Prod-Exchange 220V M451dw WUR EMEA

Table 3-5 Pro 400 ColorMFP M451dw (continued)

Part number	Description
CE958-69001	Prod-Exchange 220V M451dw WUR AP
CE958-69055	Prod-Exchange 110V M451dw WUR WW
CE958-67057	Prod-New 220V M451dw WUR CN

Related documentation and software

Table 3-6 Related documentation and software

Item	Description	Part number
<i>HP LaserJet Pro 300 Color HP LaserJet Pro 400 Color User Guide</i>	Product user guide.	CE955-90907
<i>HP LaserJet Pro 300 Color HP LaserJet Pro 400 Color Service Manual</i>	English service manual (this manual)	CE955-90964


Supplies and accessories

Item	Part number	Cartridge number	Description
Print cartridges	CE410-67901	305A	Standard-capacity black print cartridge with HP ColorSphere toner
	CE410-67902	305X	High-capacity black print cartridge with HP ColorSphere toner
	CE411-67901	305A	Cyan print cartridge with HP ColorSphere toner
	CE412-67901	305A	Yellow print cartridge with HP ColorSphere toner
	CE413-67901	305A	Magenta print cartridge with HP ColorSphere toner
Memory	CB423A		256 MB memory DIMM
Paper-handling accessories	CF106A		250-sheet paper feeder (optional Tray 3)
USB cable	8121-0868		2-meter A-to-B cable



NOTE: For information about the yield for the cartridges, see www.hp.com/go/pageyield. Actual yield depends on specific use.


Service parts


 **NOTE:** The parts in the following table are not shown in the assembly illustrations in this chapter.

Item	Description	Part number
Regulatory label	Blank label	5969-9497

How to use the parts lists and diagrams

The figures in this chapter show the major subassemblies in the product and their component parts. A parts list table follows each exploded view-assembly diagram. Each table lists the item number, the part number, and a description of each part. If a part is not listed in the table, it is not a field-replacement unit (FRU).

 **CAUTION:** Be sure to order the correct part. When looking for part numbers for electrical components, pay careful attention to the voltage listed in the description column. Doing so ensures that the part number selected is correct for the product.

 **NOTE:** In this manual, the abbreviation “PCA” stands for “printed circuit board assembly.” Components described as a PCA might consist of a single circuit board or a circuit board plus other parts, such as cables and sensors.

Covers

Figure 3-1 Covers, panels, and doors

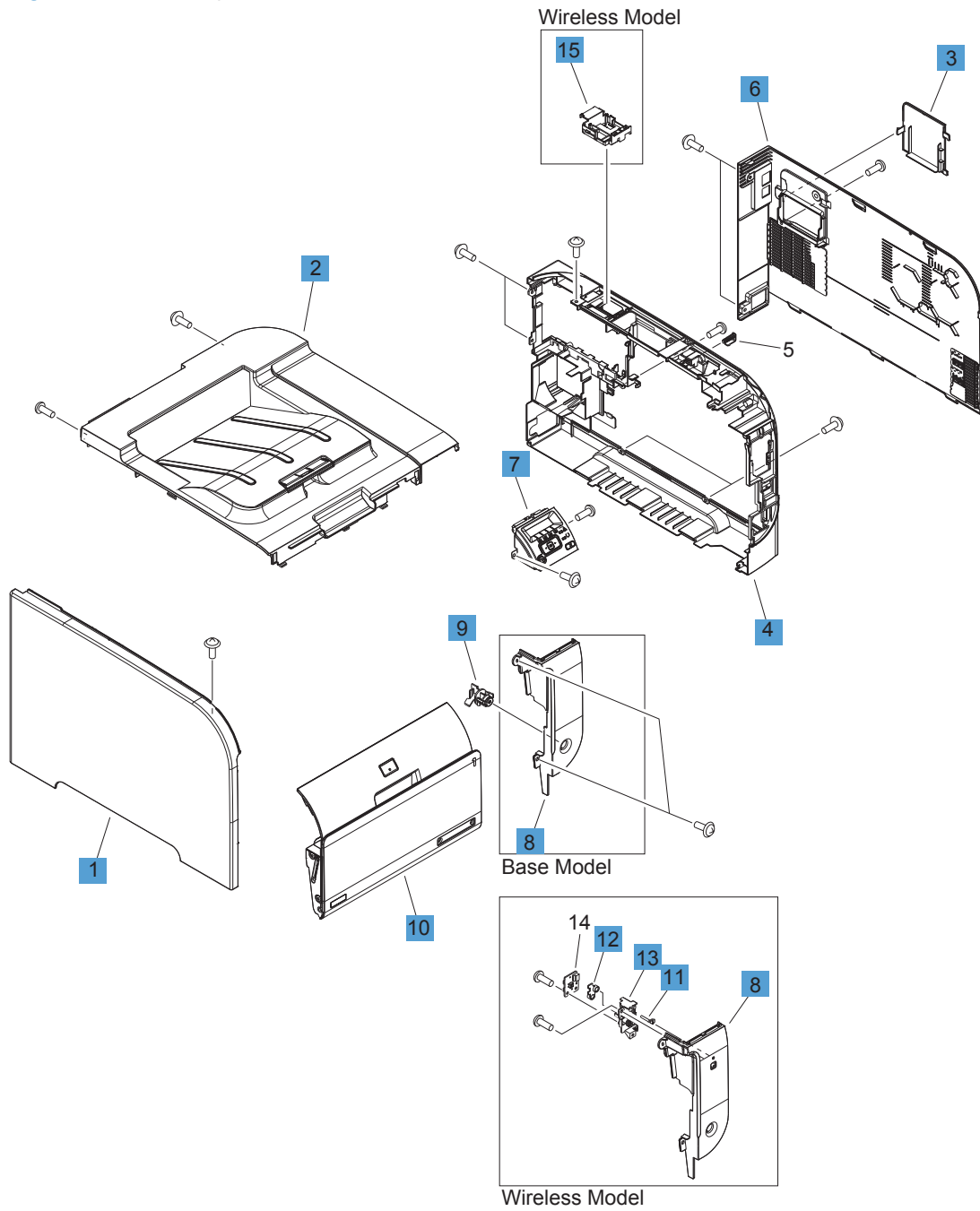


Table 3-7 Covers^{1,2}

Ref	Description	Part number	Qty
1	Cover, left	RC3-1667-000	1
2	Cover, top assembly	RM1-8044-000	1
3	Cover, DIMM	RC3-1671-000	1
4	Panel, right	RC3-1689-000	1
6	Cover, right	RC3-1694-000	1
7	Control-panel assembly	RM1-8040-000	1
8	Cover, right-front (wireless models)	RM2-0191-000	1
9	Cover, right-front (base model)	RC3-1692-000	1
10	Door, front assembly	RM1-8604-000	1
11	Pipe, light (wireless models)	RC3-0766-000	1
12	Guide, button (wireless models)	RC3-1025-000	1
13	Base, button (wireless models)	RC3-1684-000	1
15	Holder, wireless module (wireless models)	RC3-1683-000	1

¹ For simplex products, the rear cover and the rear door are shown in [Figure 3-7 Internal assemblies \(simplex models\) on page 194](#).

² For duplex products, the upper-rear cover, lower-rear cover, and the rear door are shown in [Figure 3-8 Internal assemblies \(duplex models\) on page 196](#).

Internal assemblies

Internal assemblies (1 of 5)

Figure 3-2 Internal assemblies (1 of 7)

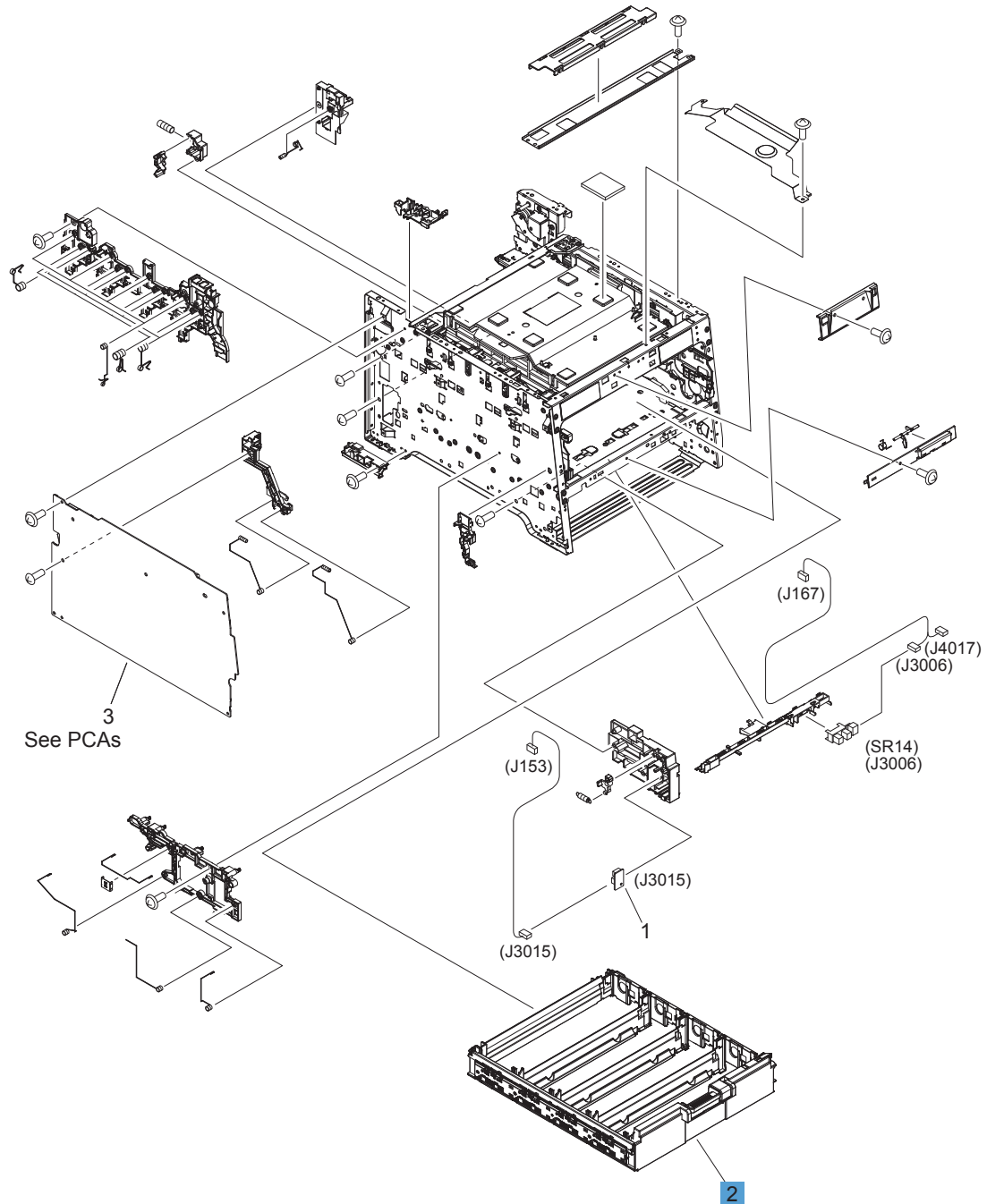


Table 3-8 Internal assemblies (1 of 7)

Ref	Description	Part number	Qty
1	Cartridge-tray assembly	RM1-8041-000	1

Internal assemblies (2 of 5)

Figure 3-3 Internal assemblies (2 of 7)

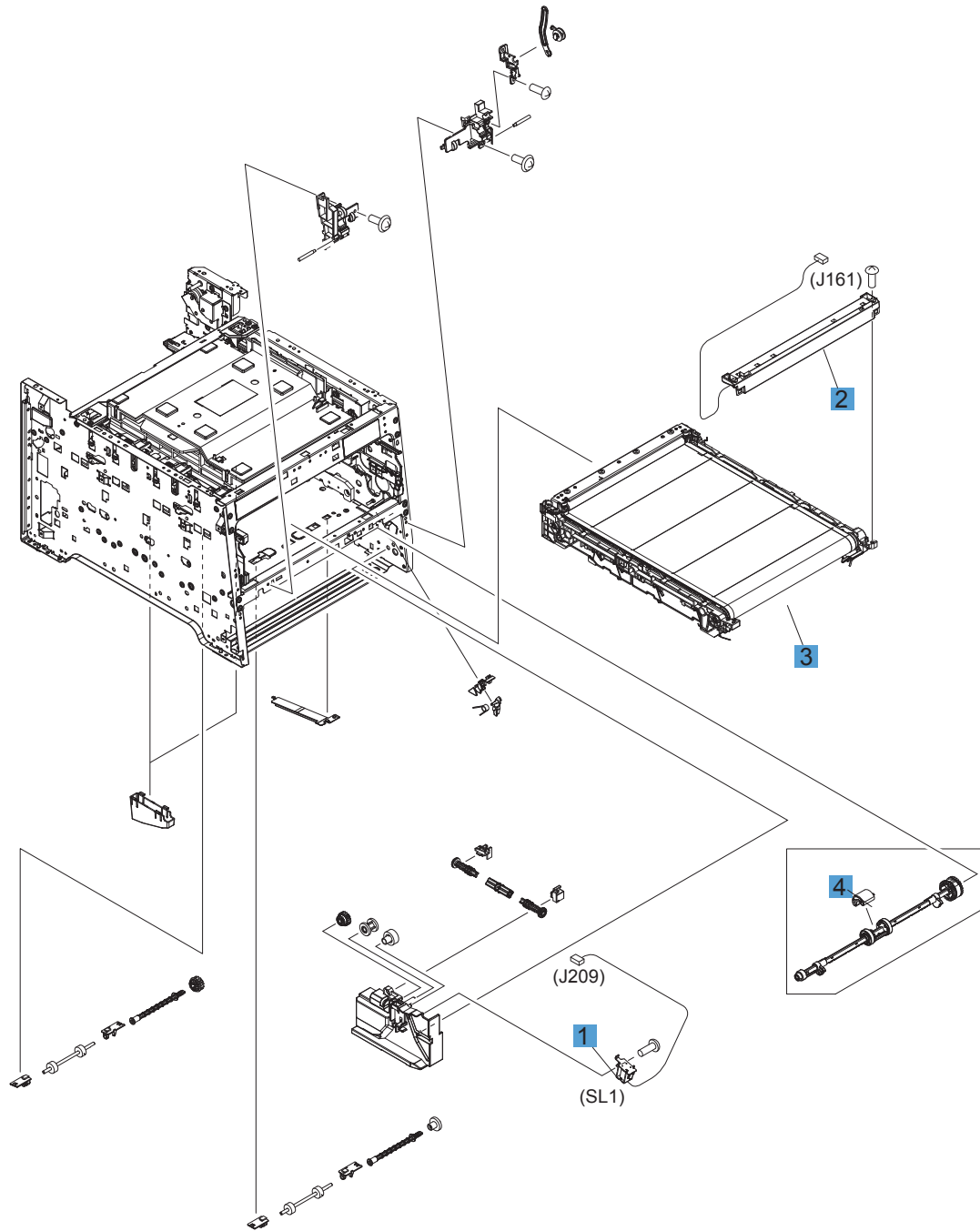


Table 3-9 Internal assemblies (2 of 7)

Ref	Description	Part number	Qty
1	Solenoid, Tray 1 (SL1; MP tray)	RM1-5420-000	1
2	Color misregistration sensor assembly	RM1-8029-000	1
3	Intermediate transfer belt (ITB)	RM1-4852-000	1
4	Roller, paper-pickup Tray 1	RL1-1802-000	1

Internal components (3 of 5)

Figure 3-4 Internal assemblies (3 of 7)

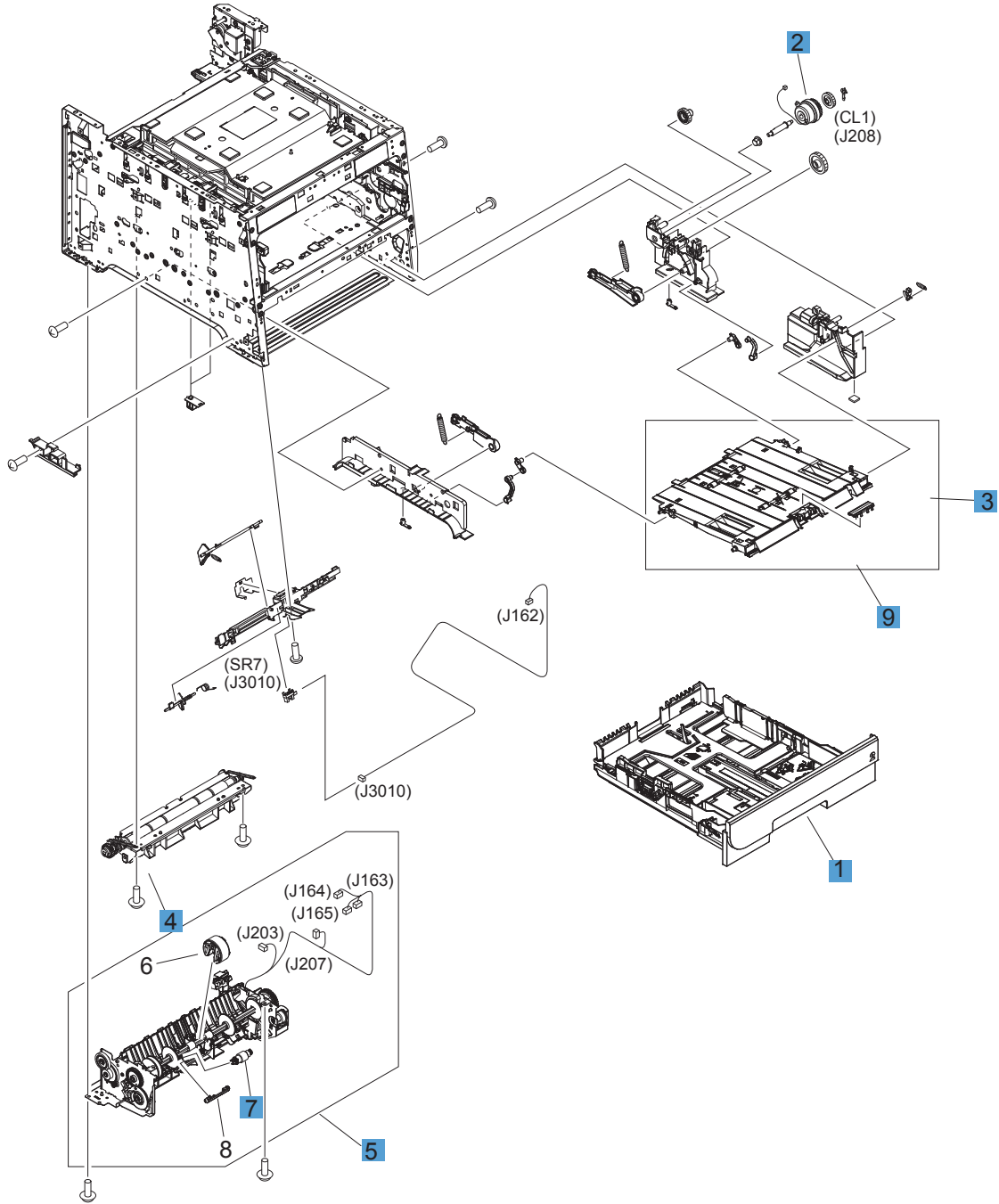


Table 3-10 Internal assemblies (3 of 7)

Ref	Description	Part number	Qty
1	Cassette, Tray 2	RM1-8056-000	1
2	Clutch assembly Tray 1 (MP tray)	RM1-8318-000	1
3	Pad, separation Tray 1	RL1-1785-000	1
4	Registration assembly	RM1-4841-000	1
5	Pickup roller assembly	RM1-8047-000	1
7	Separation roller assembly	RM1-4840-000	1
9	Tray 1 assembly (MP tray)	RM1-8610-000	1

Internal assemblies (4 of 5)

Figure 3-5 Internal assemblies (4 of 7)

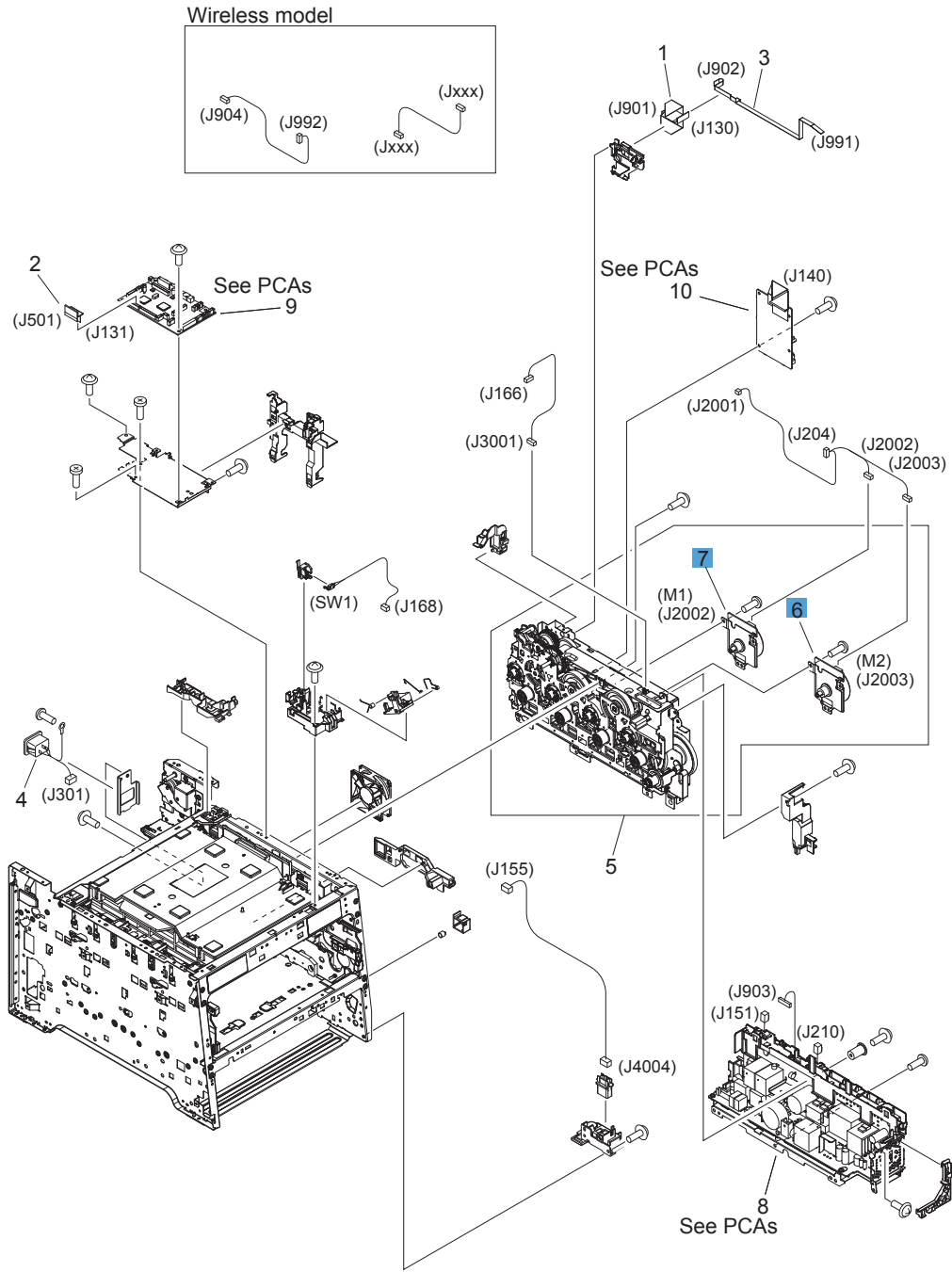


Table 3-11 Internal assemblies (4 of 7)

Ref	Description	Part number	Qty
6	Motor, developerDC (M1)	RL1-3053-000	1
7	Motor, drum DC (M2)	RL1-1800-000	1
8	Fan	RK2-3847-000	1

Internal assemblies (5 of 5)

Figure 3-6 Internal assemblies (5 of 7)

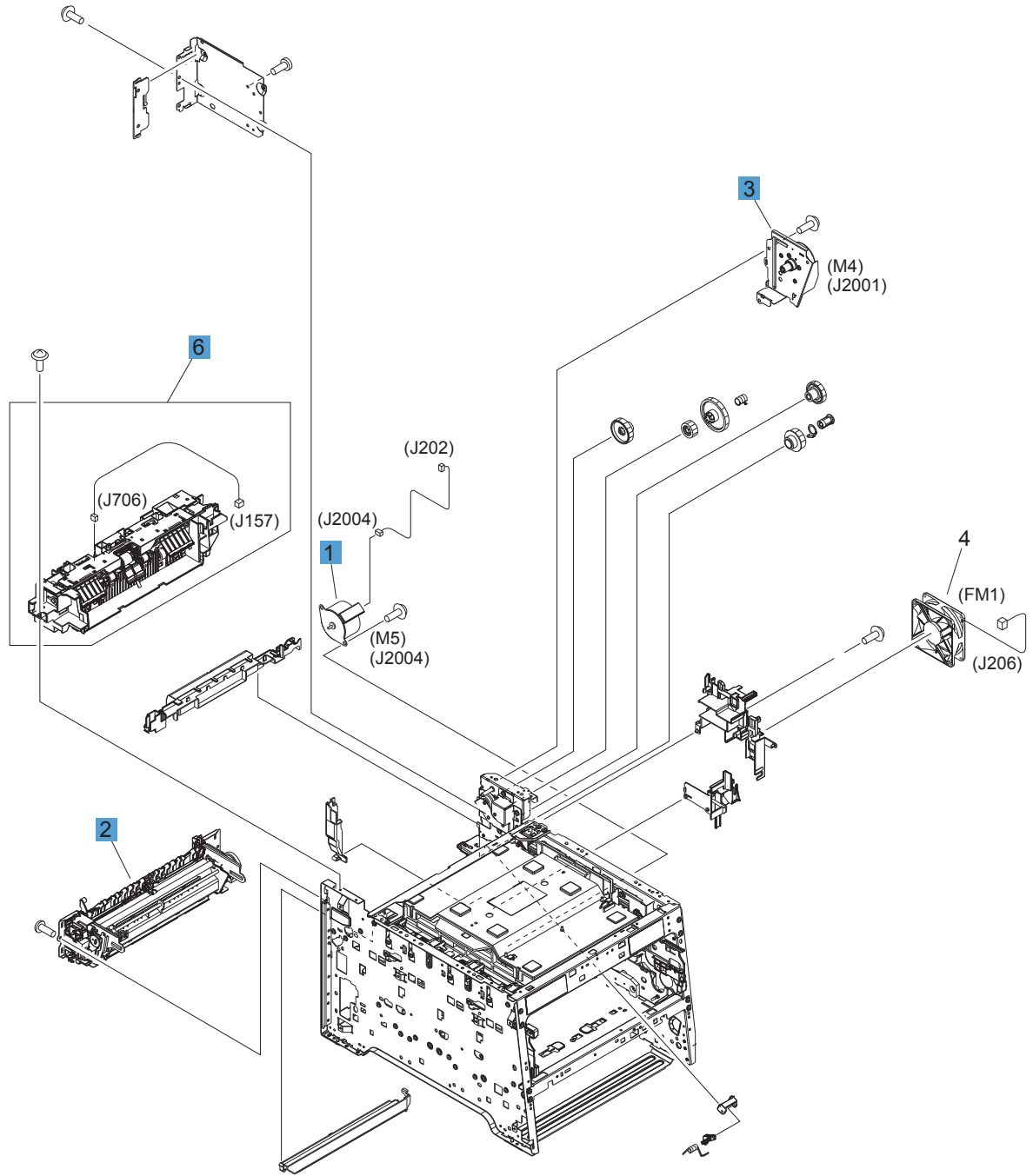


Table 3-12 Internal assemblies (5 of 7)

Ref	Description	Part number	Qty
1	Motor, feed assembly (M5)	RM1-5419-000	1
2	Fuser assembly (110v)	RM1-8054-000	1
2	Fuser assembly (220v)	RM1-8606-000	1
3	Motor, fuser assembly (M4)	RM1-8609-000	1
6	Paper delivery assembly	RM1-8049-000	1

Internal assemblies (simplex models)

Figure 3-7 Internal assemblies (simplex models)

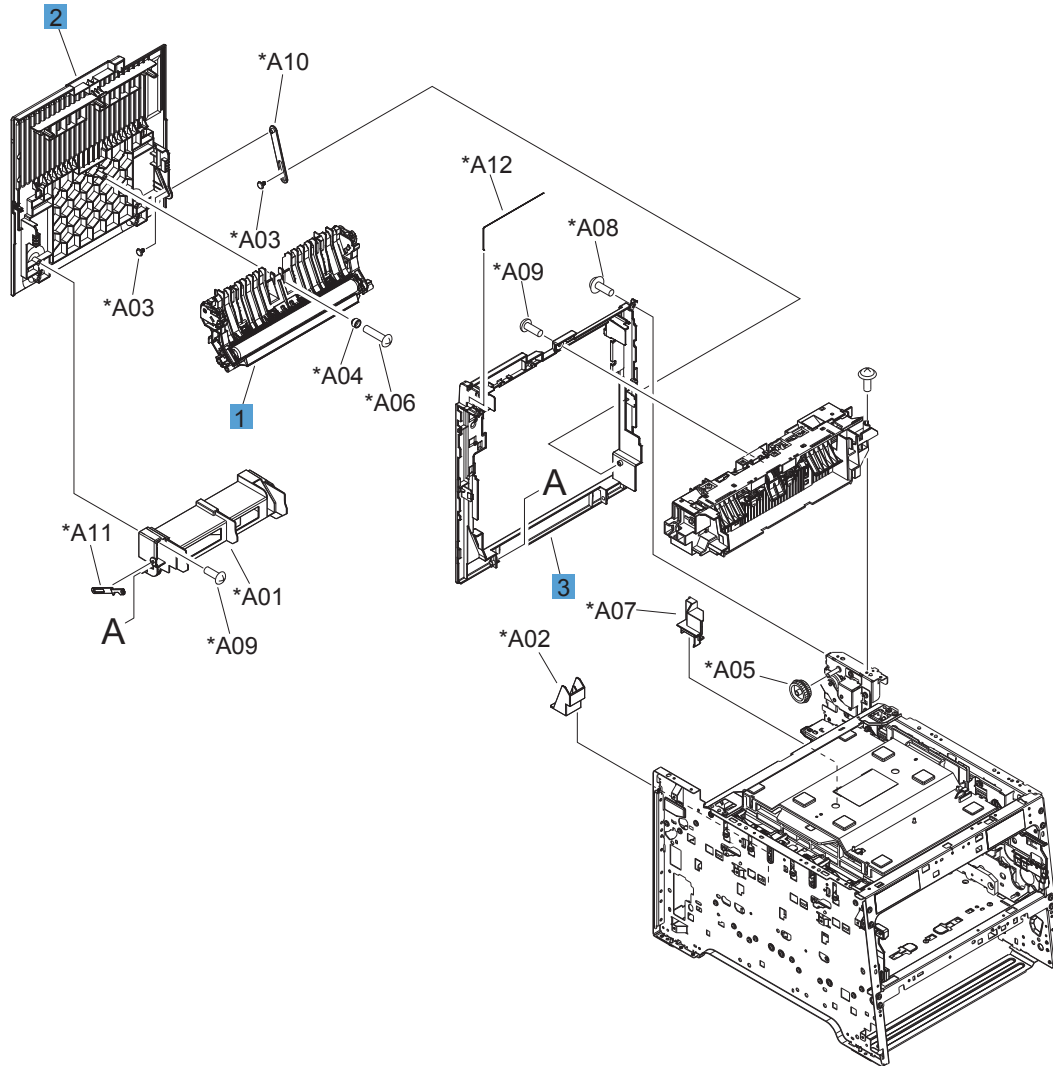


Table 3-13 Internal assemblies (simplex models)

Ref	Description	Part number	Qty
1	Paper feed guide assembly (simplex; includes transfer roller)	RM1-8043-000	1
2	Door, rear (simplex)	RC3-1665-000	1
3	Cover, rear (simplex)	RC3-1666-000	1

Internal assemblies (duplex models)

Figure 3-8 Internal assemblies (duplex models)

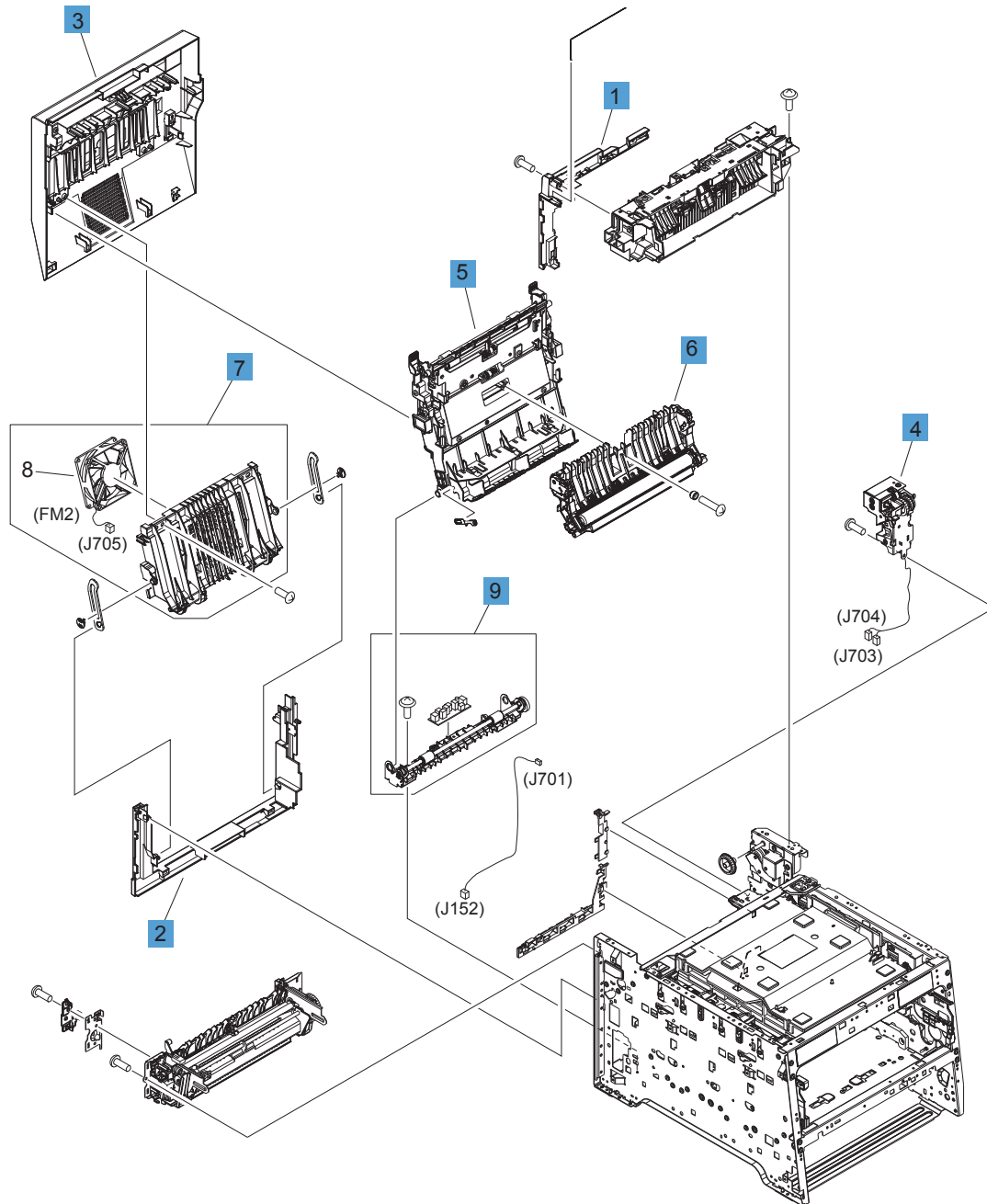


Table 3-14 Internal assemblies (duplex models)

Ref	Description	Part number	Qty
1	Cover, upper-rear (duplex)	RC3-1701-000	1
2	Cover, lower-rear (duplex)	RC3-1700-000	1
3	Door, rear (duplex)	RM1-8052-000	1
4	Reverse drive assembly (duplex)	RM1-4880-000	1
5	Feed guide, duplex assembly (duplex; includes transfer roller) ¹	RM1-4879-000	1
6	Paper feed guide assembly (duplex; includes transfer roller)	RM1-8043-000	1
7	Rib assembly, rear-door (duplex)	RM1-8053-000	1
9	Paper re-pickup guide assembly (duplex)	RM1-8051-000	1

¹ For a broken link-guide: you must replace either the duplexing-feed guide assembly, or the entire product (the interior paper guide is not replaceable).

PCAs

Figure 3-9 PCAs

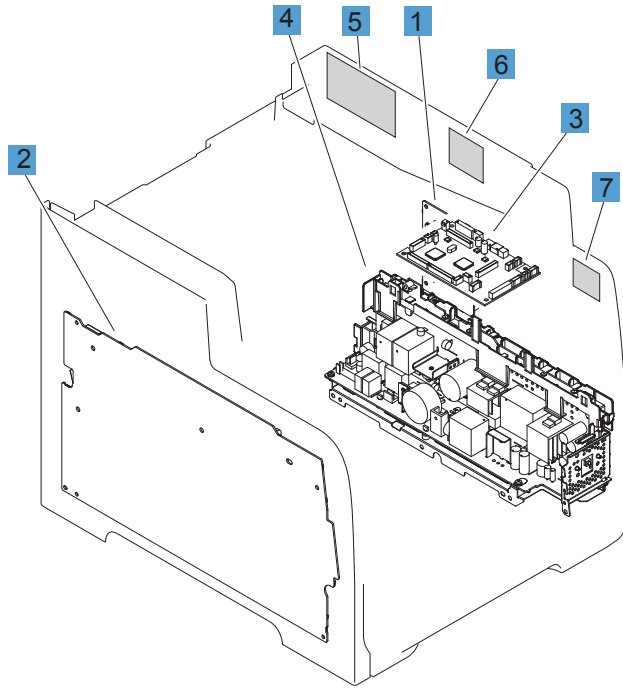


Table 3-15 PCAs

Ref	Description	Part number	Qty
1	Driver PCA	RM1-8032-000	1
2	High-voltage power supply	RM1-8031-000	1
3	DC controller	RM1-8039-000	1
4	Low-voltage power supply (110v-127v)	RM1-8035-000	1
4	Low-voltage power supply (220v-240v)	RM1-8037-000	1
5	Wireless controller PCA (wireless models)	RM1-7038-000	1
Not shown	Formatter PCA	CE794-60001	1

Input device(s)

250-sheet paper feeder (optional Tray 3)

Figure 3-10 250-sheet paper feeder (optional Tray 3)

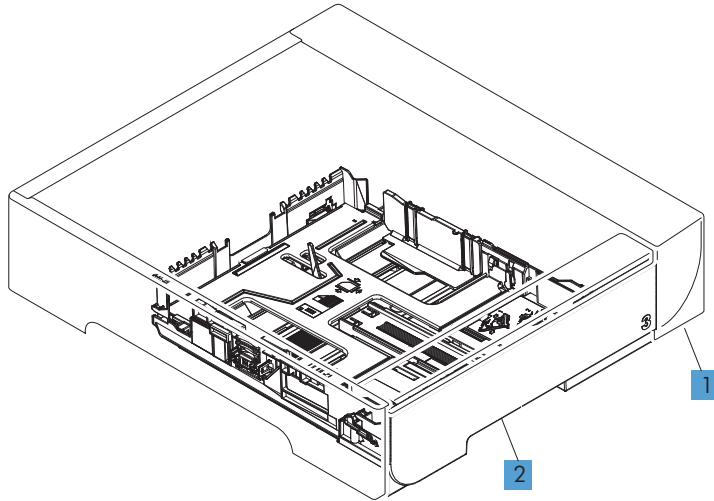


Table 3-16 250-sheet paper feeder (optional Tray 3)

Ref	Description	Part number	Qty
1	250-sheet paper feeder (optional Tray 3; includes cassette)	RM1-8063-000	1
2	Cassette (optional Tray 3)	RM1-8544-000CN	1