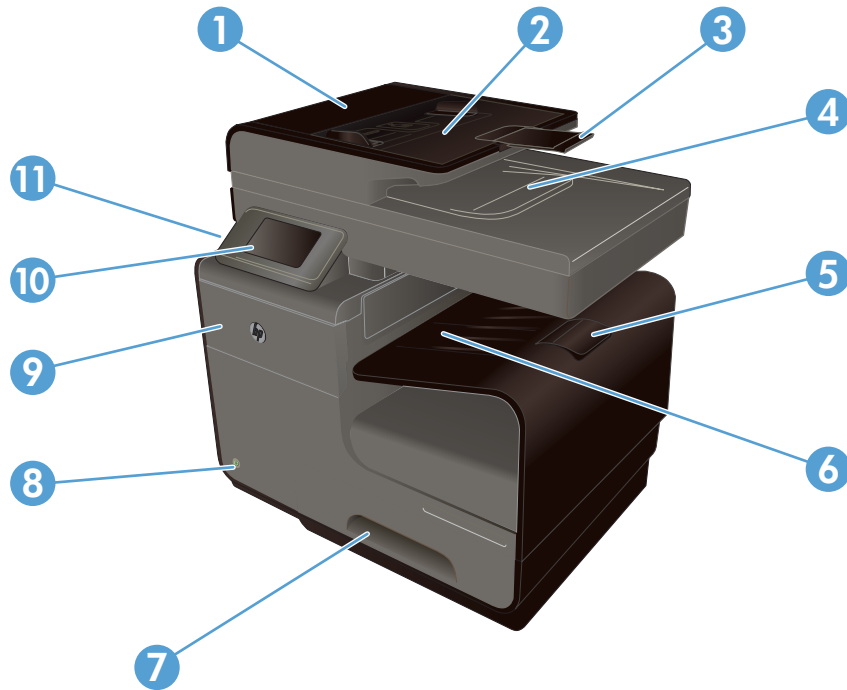


# Assembly locations

## Front view

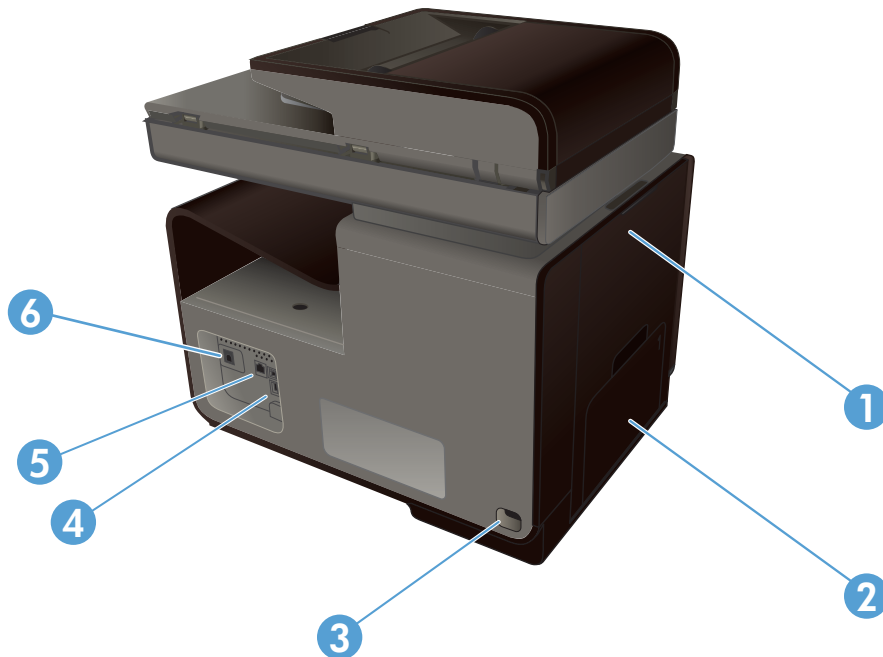
Figure 2-1 Front view



1	Document feeder cover (provides access for clearing jams)
2	Document feeder input tray
3	Document feeder input tray extension
4	Document feeder output bin
5	Output bin extension
6	Output bin
7	Tray 2 (Main paper tray)
8	On/Off button
9	Ink cartridge door
10	Color touchscreen control panel
11	USB 2.0 port

## Back view

Figure 2-2 Back view

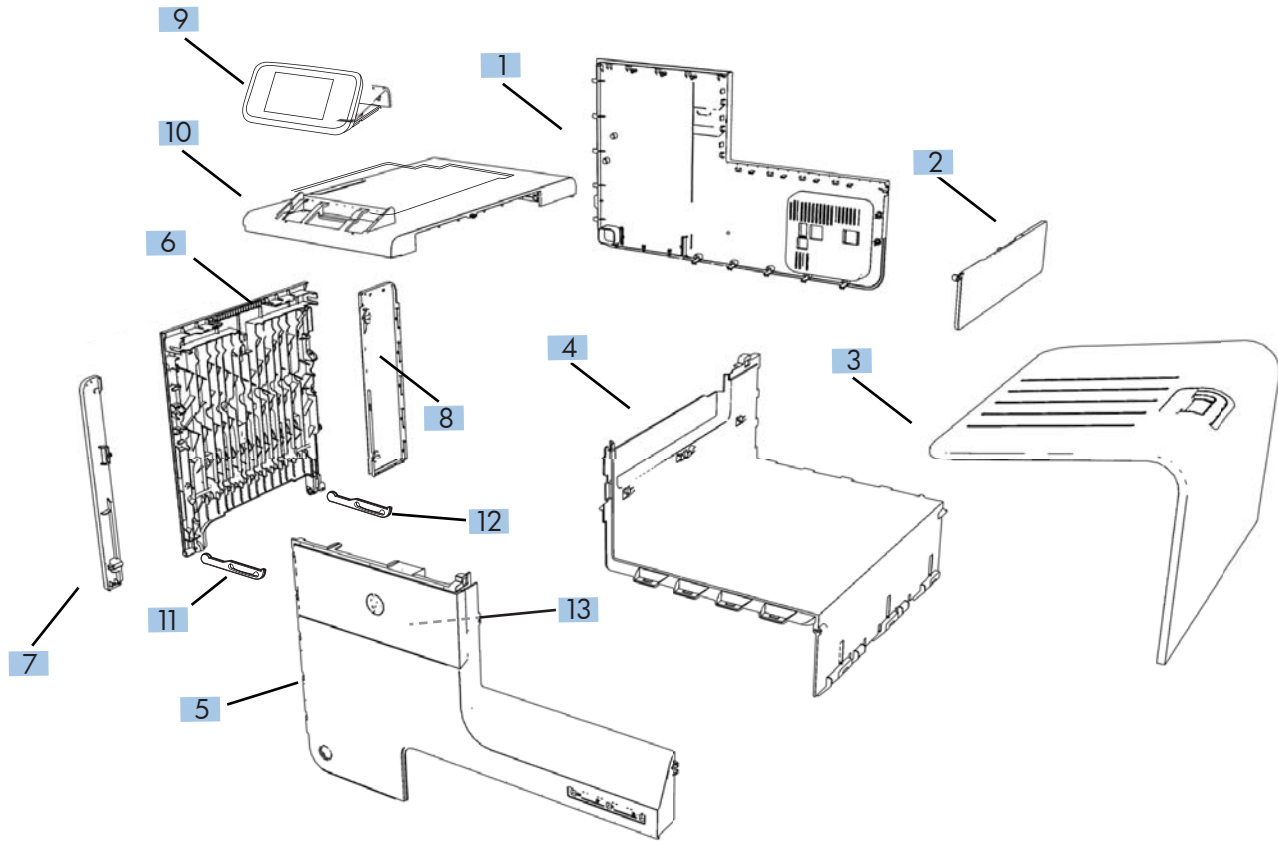


1	Left door (access for clearing jams)
2	Tray 1 (Multi-purpose tray)
3	Power connection
4	Hi-Speed USB 2.0 ports
5	Ethernet port
6	Fax line port



# Covers, panels, and doors

Figure 2-3 Covers, panels, and doors

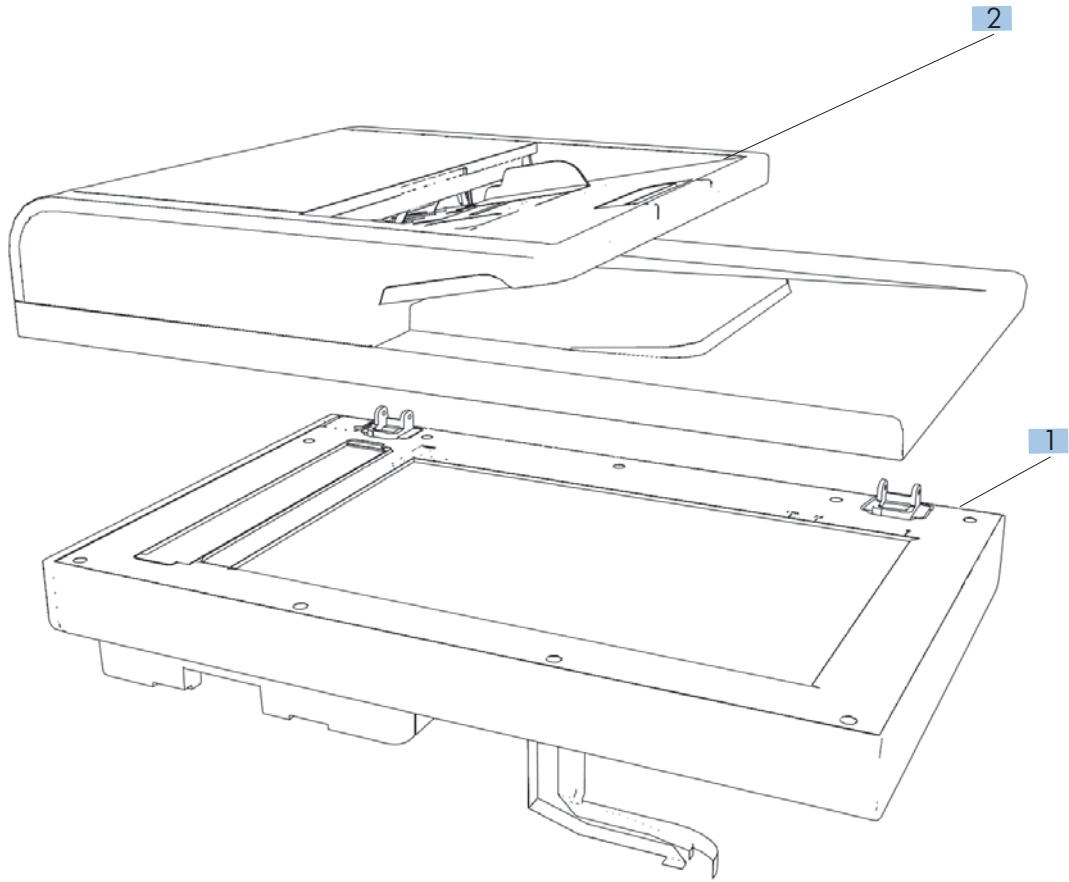


**Table 2-7 Covers, panels, and doors**

<b>Ref</b>	<b>Description</b>	<b>Part number</b>	<b>Qty</b>
1	Rear cover	CN598-67047	1
2	Eject flap assembly	CN598-67023	1
3	Output bin	CN598-67007	1
4	Right cover	CN598-67051	1
5	Front cover	CN598-67052	1
6	Left door	CN598-67001	1
7	Left front cover	CN598-67050	1
8	Left rear cover	CN598-67049	1
9	Control-panel assembly — non-wireless models	CN460-67005	1
9	Control-panel assembly — wireless models	CN461-67003	1
10	Top cover	CN460-67010	1
11	Strap, left door	CN598-67002	1
12	Strap, left door, rear	CN598-67003	1
13	Hinge, ISS door	CN598-67053	2

# Scanner assembly

Figure 2-4 Scanner assembly

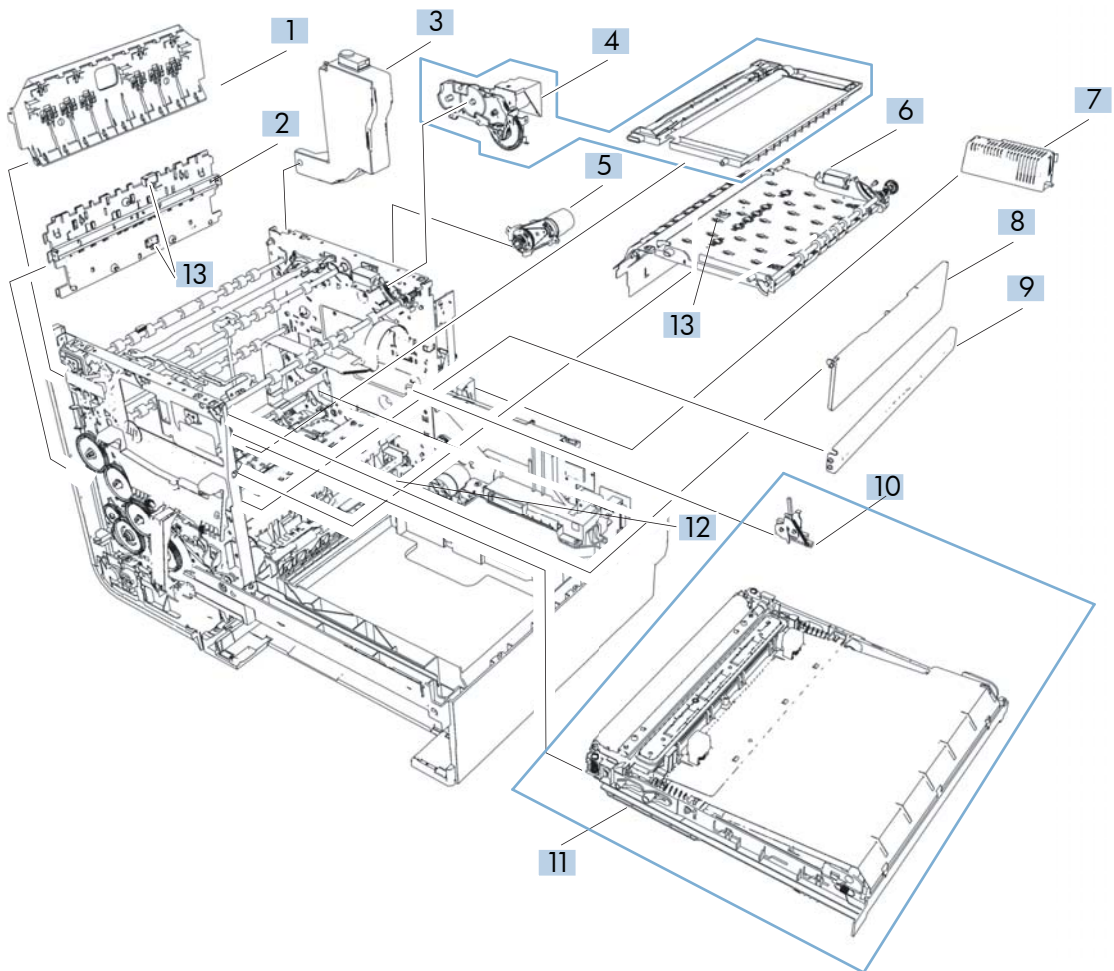


**Table 2-8 Scanner assembly**

<b>Ref</b>	<b>Description</b>	<b>Part number</b>	<b>Qty</b>
1	Scanner assembly	CN460-67009	1
2	Document feeder assembly	CN598-67008	1

# Internal assemblies

Figure 2-5 Internal assemblies (1 of 3)

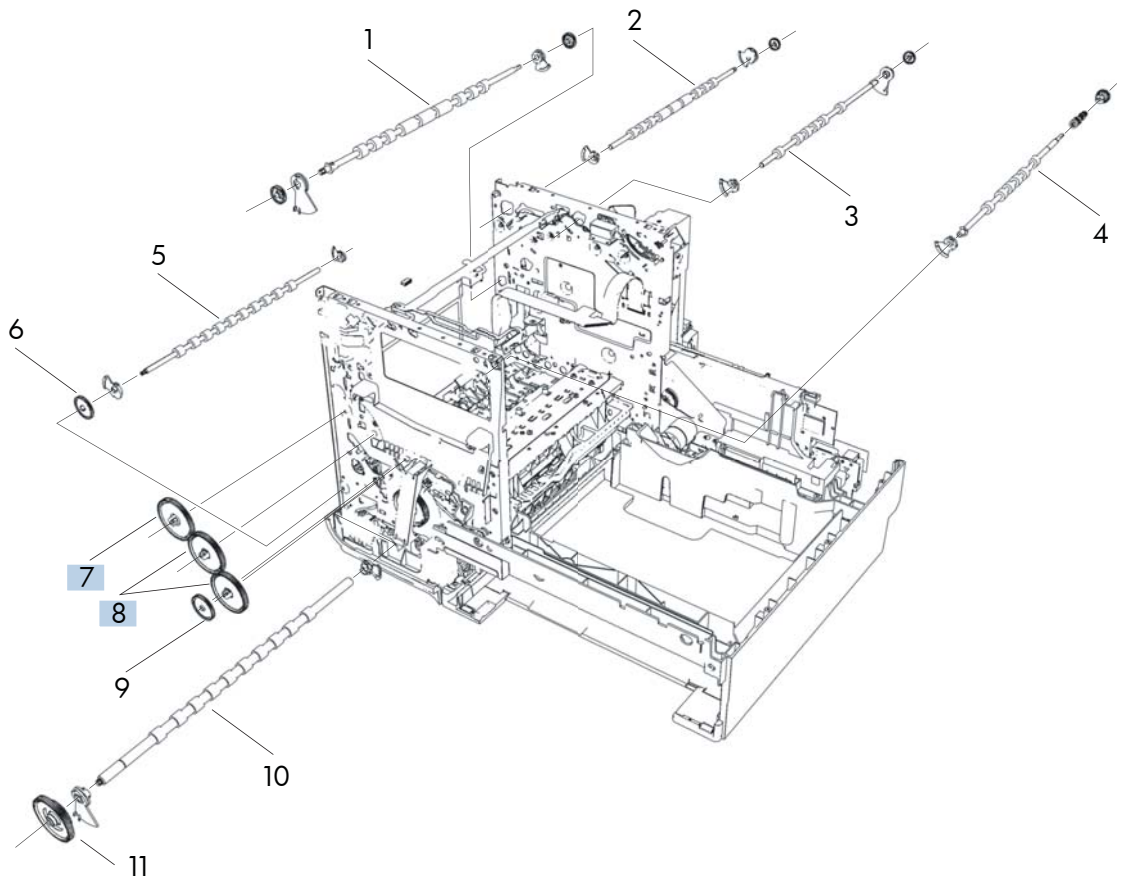




**Table 2-9 Internal assemblies (1 of 3)**

<b>Ref</b>	<b>Description</b>	<b>Part number</b>	<b>Qty</b>
1	Upper hanger assembly	Not supported	1
2	Vertical star wheel wall	Not supported	1
3	Aerosol fan assembly	CN598-67046	1
4	Output Drive Kit	CN598-67022	1
Not shown	Eject drive gear module (part of output drive kit)	CN459-60292	1
Not shown	Flap actuator solenoid (part of output drive kit)	CN459-60307	1
Not shown	Rack-eject lifter flap (part of output drive kit)	CN459-40410	1
5	Duplex drive module	CN598-67036	1
6	Floor eject assembly	Not supported	1
7	Power supply	CN598-67016	1
7	Power supply—India and China only	CN598-67017	1
8	Eject flap assembly	CN598-67023	1
9	Cross brace, right	Not supported	1
10	Web advance rack assembly	CN598-67021	1
11	Service sled assembly	CN598-67021	1
12	Media presence sensor PCA/flag	CN598-67034	1
13	REDI sensors	CN598-67038	3
Not shown	BDD sensor	CN598-67035	1
Not shown	FFC, 11 pin printzone	CN598-67039	1
Not shown	FFC, 24 pin printbar lift	CN598-67040	1
Not shown	FFC, 10 pin pick drive enc	CN598-67041	1
Not shown	FFC, 12 pin REDI distribution	CN598-67042	1
Not shown	FFC, 5 pin sensor carriage BDD	CN598-67043	1
Not shown	FFC, 3xFFC, printbar bundle kit	CN598-67044	1

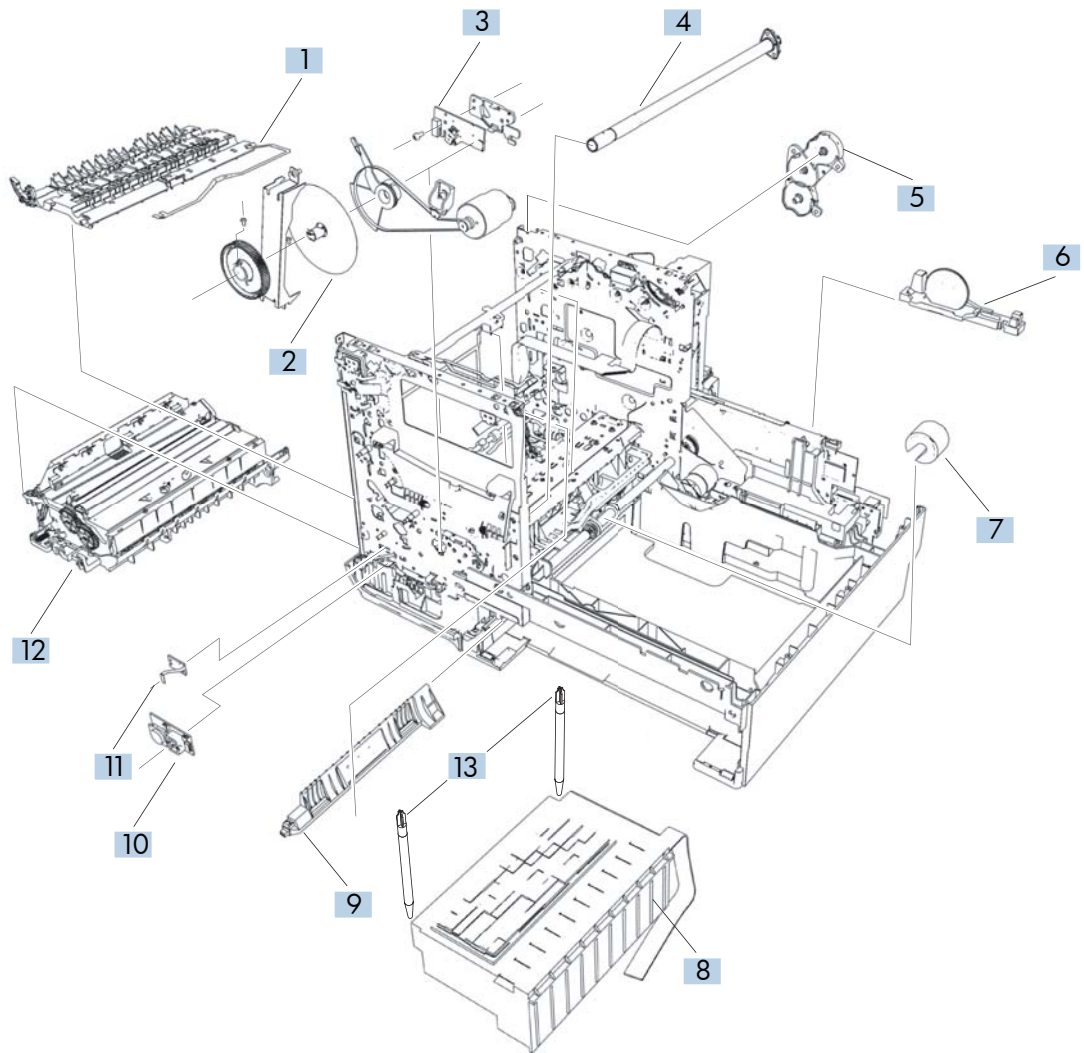
Figure 2-6 Internal assemblies (2 of 3)



**Table 2-10 Internal assemblies (2 of 3)**

<b>Ref</b>	<b>Description</b>	<b>Part number</b>	<b>Qty</b>
1	Transfer 3 shaft	Not supported	1
2	Output upper 4 shaft	Not supported	1
3	Output eject 5 shaft	Not supported	1
4	Output eject 6 shaft	Not supported	1
5	Output lower 2 shaft	Not supported	1
6	Gear, shaft output lower	Not supported	1
7	Gear, output idler gear, 83t/30t	CN598-67031	1
8	Gear, idler gear train, 78t/48t	CN598-67031	2
9	Spurgear, idler gear train, 52t	Not supported	1
10	Platen output 1 shaft	Not supported	1
11	Gear, shaft output platen 1	Not supported	1

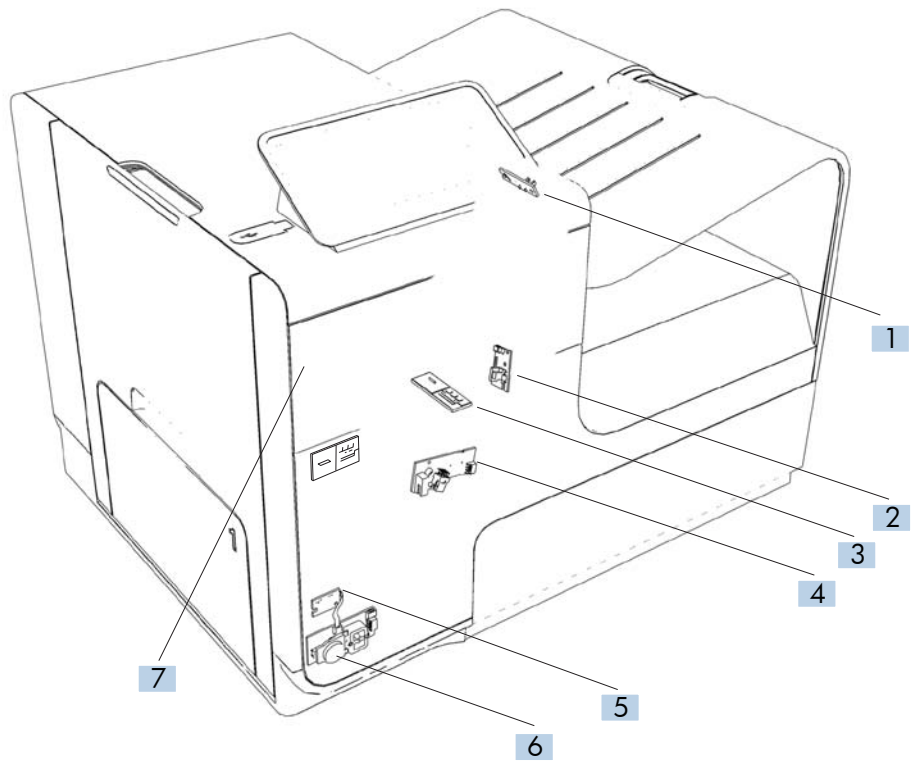
Figure 2-7 Internal assemblies (3 of 3)



**Table 2-11 Internal assemblies (3 of 3)**

Ref	Description	Part number	Qty
1	Platen  <b>NOTE:</b> The platen kit contains a TOF REDI sensor and a print zone REDI sensor.	CN598-67025	1
2	Encoder disk	(Not supported)	1
3	Feedshaft Encoder PCA	CN598-67030	1
4	Feedshaft	(Not supported)	1
5	Drying path gear assembly	CN598-67060	1
6	Tray lift transmission assembly	CN598-67020	1
7	Separator/pick assembly kit	CN598-67018	1
8	Printbar	CN598-67045	1
Not shown	Printbar lift mechanism assembly	CN598-67027	1
9	Separation assembly	CN598-67018	1
10	Power button assembly	CN598-67019	1
11	Duplex presence sensor PCA	CN598-67057	1
12	Duplex module	CN598-67004	1
13	Z stop, printbar lift rod	CN598-67048	2
Not shown	Shaft, printbar lift, clutched	CN598-67028	1

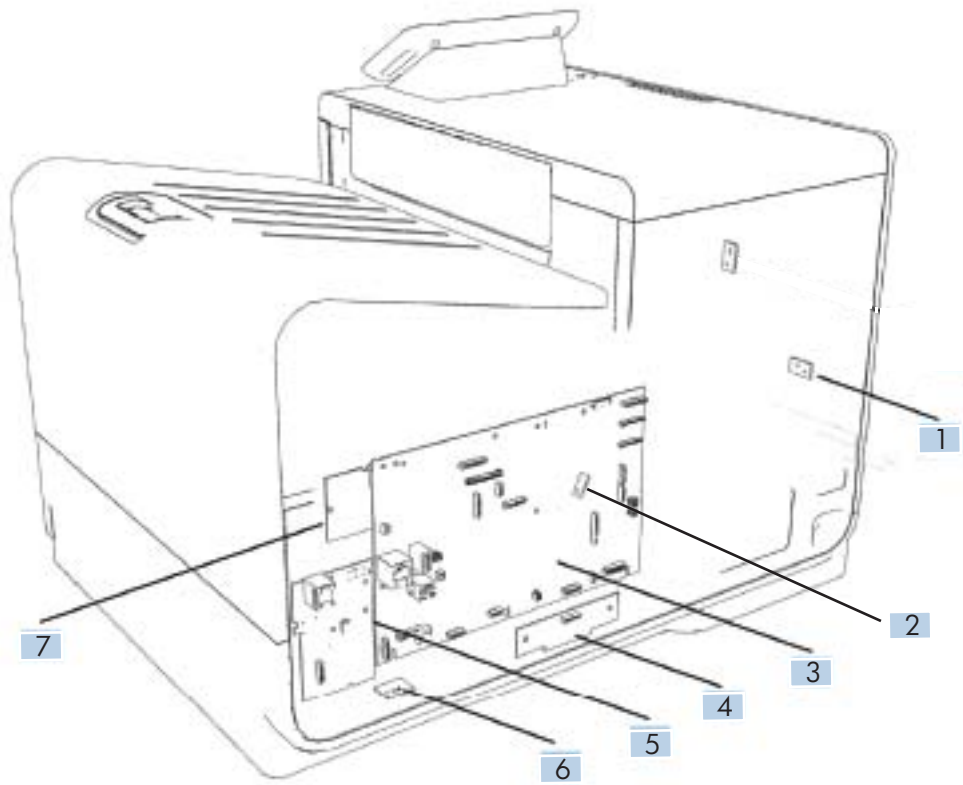
Figure 2-8 PCA locations (1 of 2)



**Table 2-12 PCA locations (1 of 2)**

<b>Ref</b>	<b>Description</b>	<b>Part number</b>	<b>Qty</b>
1	Eject flap opto PCA	CN598-67023	1
2	Pick encoder distribution PCA	CN598-67029	1
3	Print zone distribution PCA	CN598-67033	1
4	Feedshaft encoder PCA	CN598-67030	1
5	Duplex presence sensor PCA	CN598-67057	1
6	Power button assembly	CN598-67019	1
7	REDI distribution PCA	CN598-67037	1

Figure 2-9 PCA locations (2 of 2)





**Table 2-13 PCA locations (2 of 2)**

<b>Ref</b>	<b>Description</b>	<b>Part number</b>	<b>Qty</b>
1	Sensor carriage PCA/encoder strip	CN598-67061	1
2	Media presence flag/opto PCA kit	CN598-67034	1
3	Main PCA (X476dn models)	CN460-67006	1
3	Main PCA (X476dw models)	CN461-67002	1
3	Main PCA (X576 models)	CN598-67054	1
4	Tray 3 interconnect PCA	CN598-67059	1
5	Fax PCA	CN460-67007	1
6	Temperature sensor	CN598-67024	1
7	Wireless PCA	CN598-67055	1
Not shown	Control panel FFC	CN460-67008	1

# Alphabetical parts list

**Table 2-14 Alphabetical parts list**

Description	Part number	Table and page
Aerosol fan assembly	CN598-67046	<a href="#">Internal assemblies (1 of 3) on page 157</a>
BDD sensor	CN598-67035	<a href="#">Internal assemblies (1 of 3) on page 157</a>
Control panel FFC	CN460-67008	<a href="#">PCA locations (2 of 2) on page 165</a>
Control-panel assembly — non-wireless models	CN460-67005	<a href="#">Covers, panels, and doors on page 153</a>
Control-panel assembly — wireless models	CN461-67003	<a href="#">Covers, panels, and doors on page 153</a>
Cross brace, right	Not supported	<a href="#">Internal assemblies (1 of 3) on page 157</a>
Document feeder assembly	CN598-67008	<a href="#">Scanner assembly on page 155</a>
Drying path gear assembly	CN598-67060	<a href="#">Internal assemblies (3 of 3) on page 161</a>
Duplex drive module	CN598-67036	<a href="#">Internal assemblies (1 of 3) on page 157</a>
Duplex module	CN598-67004	<a href="#">Internal assemblies (3 of 3) on page 161</a>
Duplex presence sensor PCA	CN598-67057	<a href="#">Internal assemblies (3 of 3) on page 161</a>
Duplex presence sensor PCA	CN598-67057	<a href="#">PCA locations (1 of 2) on page 163</a>
Eject drive gear module (part of output drive kit)	CN459-60292	<a href="#">Internal assemblies (1 of 3) on page 157</a>
Eject flap assembly	CN598-67023	<a href="#">Covers, panels, and doors on page 153</a>
Eject flap assembly	CN598-67023	<a href="#">Internal assemblies (1 of 3) on page 157</a>
Eject flap opto PCA	CN598-67023	<a href="#">PCA locations (1 of 2) on page 163</a>
Encoder disk	(Not supported)	<a href="#">Internal assemblies (3 of 3) on page 161</a>
Fax PCA	CN460-67007	<a href="#">PCA locations (2 of 2) on page 165</a>
Feedshaft	(Not supported)	<a href="#">Internal assemblies (3 of 3) on page 161</a>

**Table 2-14 Alphabetical parts list (continued)**

<b>Description</b>	<b>Part number</b>	<b>Table and page</b>
Feedshaft Encoder PCA	CN598-67030	<a href="#">Internal assemblies (3 of 3) on page 161</a>
Feedshaft encoder PCA	CN598-67030	<a href="#">PCA locations (1 of 2) on page 163</a>
FFC, 10 pin pick drive enc	CN598-67041	<a href="#">Internal assemblies (1 of 3) on page 157</a>
FFC, 11 pin printzone	CN598-67039	<a href="#">Internal assemblies (1 of 3) on page 157</a>
FFC, 12 pin REDI distribution	CN598-67042	<a href="#">Internal assemblies (1 of 3) on page 157</a>
FFC, 24 pin printbar lift	CN598-67040	<a href="#">Internal assemblies (1 of 3) on page 157</a>
FFC, 3xFFC, printbar bundle kit	CN598-67044	<a href="#">Internal assemblies (1 of 3) on page 157</a>
FFC, 5 pin sensor carriage BDD	CN598-67043	<a href="#">Internal assemblies (1 of 3) on page 157</a>
Flap actuator solenoid (part of output drive kit)	CN459-60307	<a href="#">Internal assemblies (1 of 3) on page 157</a>
Floor eject assembly	Not supported	<a href="#">Internal assemblies (1 of 3) on page 157</a>
Front cover	CN598-67052	<a href="#">Covers, panels, and doors on page 153</a>
Gear, idler gear train, 78t/48t	CN598-67031	<a href="#">Internal assemblies (2 of 3) on page 159</a>
Gear, output idler gear, 83t/30t	CN598-67031	<a href="#">Internal assemblies (2 of 3) on page 159</a>
Gear, shaft output lower	Not supported	<a href="#">Internal assemblies (2 of 3) on page 159</a>
Gear, shaft output platen 1	Not supported	<a href="#">Internal assemblies (2 of 3) on page 159</a>
Hinge, ISS door	CN598-67053	<a href="#">Covers, panels, and doors on page 153</a>
Left door	CN598-67001	<a href="#">Covers, panels, and doors on page 153</a>
Left front cover	CN598-67050	<a href="#">Covers, panels, and doors on page 153</a>
Left rear cover	CN598-67049	<a href="#">Covers, panels, and doors on page 153</a>
Main PCA (X476dn models)	CN460-67006	<a href="#">PCA locations (2 of 2) on page 165</a>

**Table 2-14 Alphabetical parts list (continued)**

Description	Part number	Table and page
Main PCA (X476dw models)	CN461-67002	<a href="#">PCA locations (2 of 2) on page 165</a>
Main PCA (X576 models)	CN598-67054	<a href="#">PCA locations (2 of 2) on page 165</a>
Media presence flag/opto PCA kit	CN598-67034	<a href="#">PCA locations (2 of 2) on page 165</a>
Media presence sensor PCA/flag	CN598-67034	<a href="#">Internal assemblies (1 of 3) on page 157</a>
Output bin	CN598-67007	<a href="#">Covers, panels, and doors on page 153</a>
Output Drive Kit	CN598-67022	<a href="#">Internal assemblies (1 of 3) on page 157</a>
Output eject 5 shaft	Not supported	<a href="#">Internal assemblies (2 of 3) on page 159</a>
Output eject 6 shaft	Not supported	<a href="#">Internal assemblies (2 of 3) on page 159</a>
Output lower 2 shaft	Not supported	<a href="#">Internal assemblies (2 of 3) on page 159</a>
Output upper 4 shaft	Not supported	<a href="#">Internal assemblies (2 of 3) on page 159</a>
Pick encoder distribution PCA	CN598-67029	<a href="#">PCA locations (1 of 2) on page 163</a>
Platen output 1 shaft	Not supported	<a href="#">Internal assemblies (2 of 3) on page 159</a>
Platen	CN598-67025	<a href="#">Internal assemblies (3 of 3) on page 161</a>
<b>NOTE:</b> The platen kit contains a TOF REDI sensor and a print zone REDI sensor.		
Power button assembly	CN598-67019	<a href="#">Internal assemblies (3 of 3) on page 161</a>
Power button assembly	CN598-67019	<a href="#">PCA locations (1 of 2) on page 163</a>
Power supply	CN598-67016	<a href="#">Internal assemblies (1 of 3) on page 157</a>
Power supply—India and China only	CN598-67017	<a href="#">Internal assemblies (1 of 3) on page 157</a>
Print zone distribution PCA	CN598-67033	<a href="#">PCA locations (1 of 2) on page 163</a>
Printbar	CN598-67045	<a href="#">Internal assemblies (3 of 3) on page 161</a>

**Table 2-14 Alphabetical parts list (continued)**

<b>Description</b>	<b>Part number</b>	<b>Table and page</b>
Printbar lift mechanism assembly	CN598-67027	<a href="#">Internal assemblies (3 of 3) on page 161</a>
Rack-eject lifter flap (part of output drive kit)	CN459-40410	<a href="#">Internal assemblies (1 of 3) on page 157</a>
Rear cover	CN598-67047	<a href="#">Covers, panels, and doors on page 153</a>
REDI distribution PCA	CN598-67037	<a href="#">PCA locations (1 of 2) on page 163</a>
REDI sensors	CN598-67038	<a href="#">Internal assemblies (1 of 3) on page 157</a>
Right cover	CN598-67051	<a href="#">Covers, panels, and doors on page 153</a>
Scanner assembly	CN460-67009	<a href="#">Scanner assembly on page 155</a>
Sensor carriage PCA/encoder strip	CN598-67061	<a href="#">PCA locations (2 of 2) on page 165</a>
Separation assembly	CN598-67018	<a href="#">Internal assemblies (3 of 3) on page 161</a>
Separator/pick assembly kit	CN598-67018	<a href="#">Internal assemblies (3 of 3) on page 161</a>
Service sled assembly	CN598-67021	<a href="#">Internal assemblies (1 of 3) on page 157</a>
Shaft, printbar lift, clutched	CN598-67028	<a href="#">Internal assemblies (3 of 3) on page 161</a>
Spurgear, idler gear train, 52t	Not supported	<a href="#">Internal assemblies (2 of 3) on page 159</a>
Strap, left door	CN598-67002	<a href="#">Covers, panels, and doors on page 153</a>
Strap, left door, rear	CN598-67003	<a href="#">Covers, panels, and doors on page 153</a>
Temperature sensor	CN598-67024	<a href="#">PCA locations (2 of 2) on page 165</a>
Top cover	CN460-67010	<a href="#">Covers, panels, and doors on page 153</a>
Transfer 3 shaft	Not supported	<a href="#">Internal assemblies (2 of 3) on page 159</a>
Tray 3 interconnect PCA	CN598-67059	<a href="#">PCA locations (2 of 2) on page 165</a>
Tray lift transmission assembly	CN598-67020	<a href="#">Internal assemblies (3 of 3) on page 161</a>

**Table 2-14 Alphabetical parts list (continued)**

<b>Description</b>	<b>Part number</b>	<b>Table and page</b>
Upper hanger assembly	Not supported	<a href="#">Internal assemblies (1 of 3) on page 157</a>
Vertical star wheel wall	Not supported	<a href="#">Internal assemblies (1 of 3) on page 157</a>
Web advance rack assembly	CN598-67021	<a href="#">Internal assemblies (1 of 3) on page 157</a>
Wireless PCA	CN598-67055	<a href="#">PCA locations (2 of 2) on page 165</a>
Z stop, printbar lift rod	CN598-67048	<a href="#">Internal assemblies (3 of 3) on page 161</a>

# Numerical parts list

**Table 2-15 Numerical parts list**

Part number	Description	Table and page
(Not supported)	Encoder disk	<a href="#">Internal assemblies (3 of 3) on page 161</a>
(Not supported)	Feedshaft	<a href="#">Internal assemblies (3 of 3) on page 161</a>
CN459-40410	Rack-eject lifter flap (part of output drive kit)	<a href="#">Internal assemblies (1 of 3) on page 157</a>
CN459-60292	Eject drive gear module (part of output drive kit)	<a href="#">Internal assemblies (1 of 3) on page 157</a>
CN459-60307	Flap actuator solenoid (part of output drive kit)	<a href="#">Internal assemblies (1 of 3) on page 157</a>
CN460-67005	Control-panel assembly — non-wireless models	<a href="#">Covers, panels, and doors on page 153</a>
CN460-67006	Main PCA (X476dn models)	<a href="#">PCA locations (2 of 2) on page 165</a>
CN460-67007	Fax PCA	<a href="#">PCA locations (2 of 2) on page 165</a>
CN460-67008	Control panel FFC	<a href="#">PCA locations (2 of 2) on page 165</a>
CN460-67009	Scanner assembly	<a href="#">Scanner assembly on page 155</a>
CN460-67010	Top cover	<a href="#">Covers, panels, and doors on page 153</a>
CN461-67002	Main PCA (X476dw models)	<a href="#">PCA locations (2 of 2) on page 165</a>
CN461-67003	Control-panel assembly — wireless models	<a href="#">Covers, panels, and doors on page 153</a>
CN598-67001	Left door	<a href="#">Covers, panels, and doors on page 153</a>
CN598-67002	Strap, left door	<a href="#">Covers, panels, and doors on page 153</a>
CN598-67003	Strap, left door, rear	<a href="#">Covers, panels, and doors on page 153</a>
CN598-67004	Duplex module	<a href="#">Internal assemblies (3 of 3) on page 161</a>
CN598-67007	Output bin	<a href="#">Covers, panels, and doors on page 153</a>
CN598-67008	Document feeder assembly	<a href="#">Scanner assembly on page 155</a>

**Table 2-15 Numerical parts list (continued)**

Part number	Description	Table and page
CN598-67016	Power supply	<a href="#">Internal assemblies (1 of 3) on page 157</a>
CN598-67017	Power supply—India and China only	<a href="#">Internal assemblies (1 of 3) on page 157</a>
CN598-67018	Separator/pick assembly kit	<a href="#">Internal assemblies (3 of 3) on page 161</a>
CN598-67018	Separation assembly	<a href="#">Internal assemblies (3 of 3) on page 161</a>
CN598-67019	Power button assembly	<a href="#">Internal assemblies (3 of 3) on page 161</a>
CN598-67019	Power button assembly	<a href="#">PCA locations (1 of 2) on page 163</a>
CN598-67020	Tray lift transmission assembly	<a href="#">Internal assemblies (3 of 3) on page 161</a>
CN598-67021	Web advance rack assembly	<a href="#">Internal assemblies (1 of 3) on page 157</a>
CN598-67021	Service sled assembly	<a href="#">Internal assemblies (1 of 3) on page 157</a>
CN598-67022	Output Drive Kit	<a href="#">Internal assemblies (1 of 3) on page 157</a>
CN598-67023	Eject flap assembly	<a href="#">Covers, panels, and doors on page 153</a>
CN598-67023	Eject flap assembly	<a href="#">Internal assemblies (1 of 3) on page 157</a>
CN598-67023	Eject flap opto PCA	<a href="#">PCA locations (1 of 2) on page 163</a>
CN598-67024	Temperature sensor	<a href="#">PCA locations (2 of 2) on page 165</a>
CN598-67025	Platen <b>NOTE:</b> The platen kit contains a TOF REDI sensor and a print zone REDI sensor.	<a href="#">Internal assemblies (3 of 3) on page 161</a>
CN598-67027	Printbar lift mechanism assembly	<a href="#">Internal assemblies (3 of 3) on page 161</a>
CN598-67028	Shaft, printbar lift, clutched	<a href="#">Internal assemblies (3 of 3) on page 161</a>
CN598-67029	Pick encoder distribution PCA	<a href="#">PCA locations (1 of 2) on page 163</a>
CN598-67030	Feedshaft Encoder PCA	<a href="#">Internal assemblies (3 of 3) on page 161</a>



**Table 2-15 Numerical parts list (continued)**

<b>Part number</b>	<b>Description</b>	<b>Table and page</b>
CN598-67030	Feedshaft encoder PCA	<a href="#">PCA locations (1 of 2) on page 163</a>
CN598-67031	Gear, output idler gear, 83t/30t	<a href="#">Internal assemblies (2 of 3) on page 159</a>
CN598-67031	Gear, idler gear train, 78t/48t	<a href="#">Internal assemblies (2 of 3) on page 159</a>
CN598-67033	Print zone distribution PCA	<a href="#">PCA locations (1 of 2) on page 163</a>
CN598-67034	Media presence sensor PCA/flag	<a href="#">Internal assemblies (1 of 3) on page 157</a>
CN598-67034	Media presence flag/opto PCA kit	<a href="#">PCA locations (2 of 2) on page 165</a>
CN598-67035	BDD sensor	<a href="#">Internal assemblies (1 of 3) on page 157</a>
CN598-67036	Duplex drive module	<a href="#">Internal assemblies (1 of 3) on page 157</a>
CN598-67037	REDI distribution PCA	<a href="#">PCA locations (1 of 2) on page 163</a>
CN598-67038	REDI sensors	<a href="#">Internal assemblies (1 of 3) on page 157</a>
CN598-67039	FFC, 11 pin printzone	<a href="#">Internal assemblies (1 of 3) on page 157</a>
CN598-67040	FFC, 24 pin printbar lift	<a href="#">Internal assemblies (1 of 3) on page 157</a>
CN598-67041	FFC, 10 pin pick drive enc	<a href="#">Internal assemblies (1 of 3) on page 157</a>
CN598-67042	FFC, 12 pin REDI distribution	<a href="#">Internal assemblies (1 of 3) on page 157</a>
CN598-67043	FFC, 5 pin sensor carriage BDD	<a href="#">Internal assemblies (1 of 3) on page 157</a>
CN598-67044	FFC, 3xFFC, printbar bundle kit	<a href="#">Internal assemblies (1 of 3) on page 157</a>
CN598-67045	Printbar	<a href="#">Internal assemblies (3 of 3) on page 161</a>
CN598-67046	Aerosol fan assembly	<a href="#">Internal assemblies (1 of 3) on page 157</a>
CN598-67047	Rear cover	<a href="#">Covers, panels, and doors on page 153</a>
CN598-67048	Z stop, printbar lift rod	<a href="#">Internal assemblies (3 of 3) on page 161</a>

**Table 2-15 Numerical parts list (continued)**

<b>Part number</b>	<b>Description</b>	<b>Table and page</b>
CN598-67049	Left rear cover	<a href="#">Covers, panels, and doors on page 153</a>
CN598-67050	Left front cover	<a href="#">Covers, panels, and doors on page 153</a>
CN598-67051	Right cover	<a href="#">Covers, panels, and doors on page 153</a>
CN598-67052	Front cover	<a href="#">Covers, panels, and doors on page 153</a>
CN598-67053	Hinge, ISS door	<a href="#">Covers, panels, and doors on page 153</a>
CN598-67054	Main PCA (X576 models)	<a href="#">PCA locations (2 of 2) on page 165</a>
CN598-67055	Wireless PCA	<a href="#">PCA locations (2 of 2) on page 165</a>
CN598-67057	Duplex presence sensor PCA	<a href="#">Internal assemblies (3 of 3) on page 161</a>
CN598-67057	Duplex presence sensor PCA	<a href="#">PCA locations (1 of 2) on page 163</a>
CN598-67059	Tray 3 interconnect PCA	<a href="#">PCA locations (2 of 2) on page 165</a>
CN598-67060	Drying path gear assembly	<a href="#">Internal assemblies (3 of 3) on page 161</a>
CN598-67061	Sensor carriage PCA/encoder strip	<a href="#">PCA locations (2 of 2) on page 165</a>
Not supported	Upper hanger assembly	<a href="#">Internal assemblies (1 of 3) on page 157</a>
Not supported	Vertical star wheel wall	<a href="#">Internal assemblies (1 of 3) on page 157</a>
Not supported	Floor eject assembly	<a href="#">Internal assemblies (1 of 3) on page 157</a>
Not supported	Cross brace, right	<a href="#">Internal assemblies (1 of 3) on page 157</a>
Not supported	Transfer 3 shaft	<a href="#">Internal assemblies (2 of 3) on page 159</a>
Not supported	Output upper 4 shaft	<a href="#">Internal assemblies (2 of 3) on page 159</a>
Not supported	Output eject 5 shaft	<a href="#">Internal assemblies (2 of 3) on page 159</a>
Not supported	Output eject 6 shaft	<a href="#">Internal assemblies (2 of 3) on page 159</a>

**Table 2-15 Numerical parts list (continued)**

<b>Part number</b>	<b>Description</b>	<b>Table and page</b>
Not supported	Output lower 2 shaft	<a href="#">Internal assemblies (2 of 3) on page 159</a>
Not supported	Gear, shaft output lower	<a href="#">Internal assemblies (2 of 3) on page 159</a>
Not supported	Spurgear, idler gear train, 52t	<a href="#">Internal assemblies (2 of 3) on page 159</a>
Not supported	Platen output 1 shaft	<a href="#">Internal assemblies (2 of 3) on page 159</a>
Not supported	Gear, shaft output platen 1	<a href="#">Internal assemblies (2 of 3) on page 159</a>

