

---

# 8 Parts and diagrams

- [Order parts, accessories, and supplies](#)
- [Supplies part numbers](#)
- [Illustrations and parts lists](#)
- [Scanner assembly](#)
- [Scanner engine covers and panels](#)
- [Print engine covers and panels](#)
- [Flatbed scanner assembly](#)
- [Flatbed optical assembly](#)
- [ADF scanner assembly](#)
- [ADF paper pickup assembly](#)
- [ADF main assembly](#)
- [ADF optical assembly](#)
- [Scanner engine PCAs](#)
- [Left door and diverter](#)
- [Right cover assembly](#)
- [Print engine internal components](#)
- [Drum feed drive assembly](#)
- [Fuser delivery drive assembly](#)
- [Cartridge lifter assembly](#)
- [500-sheet trays \(Tray 2 and Tray 3\)](#)
- [Paper input unit](#)
- [Registration assembly](#)
- [Transfer roller assembly](#)
- [Delivery assembly](#)
- [PCA locations](#)

- [Tray 4 main body](#)
- [Tray 4 drive assembly](#)
- [Tray 4 PCA location](#)
- [Tray 1 assembly](#)
- [Alphabetical parts list](#)
- [Numerical parts list](#)

## Order parts, accessories, and supplies

You can obtain the following items directly from HP:

- **Replacement parts:** To order replacement parts in the U.S., go to [www.hp.com/go/hpparts/](http://www.hp.com/go/hpparts/). Outside the United States, order parts by contacting your local authorized HP service center.
- **Supplies and accessories:** To order supplies in the U.S., go to [www.hp.com/go/ljsupplies](http://www.hp.com/go/ljsupplies). To order supplies worldwide, go to [www.hp.com/ghp/buyonline.html](http://www.hp.com/ghp/buyonline.html). To order accessories, go to [www.hp.com/support/ljm9040mfp](http://www.hp.com/support/ljm9040mfp) or [www.hp.com/support/ljm9050mfp](http://www.hp.com/support/ljm9050mfp).

# Supplies part numbers

## Consumables, supplies, accessories, FRUs, and documents

**Table 8-1 Consumables, supplies, accessories, FRUs, and documents**

Product number	Service number	Exchange number	Description
<b>Consumables</b>			
C8543X		C8519-69009	Print cartridge
C8091A	Q7829-67921		Staple cartridge (3000-sheet stapler/stacker)
C8091A	C8088-60541		Staple cartridge (Multifunction finisher)
<b>Supplies</b>			
C9152A	C9152-67907	C9152-69007	PM kit/110 V
C9153A	C9153-67907	C9153-67907	PM kit/220 V
<b>FRUs</b>			
	CC395-67902		Formatter assembly  <b>NOTE:</b> Do not replace the formatter and the compact flash firmware at the same time.
RG5-5750-270CN		C8519-69035	Fuser assembly, 110 V
RG5-5751-270CN		C8519-69036	Fuser assembly, 220 V
RG5-5681-030CN			Paper input unit (PIU)
RG5-7780-060CN			DC controller
RG5-5728-000CN		C8519-69037	High-voltage power supply
RG5-7778-030CN			Low-voltage power supply, 110 V
RG5-7779-030CN			Low-voltage power supply, 220 V
	CC395-67913		Firmware compact flash  <b>NOTE:</b> Do not replace the formatter and the compact flash firmware at the same time.
RG5-5663-060CN			Registration assembly
		Q6005-67901	Kit, copy processor EIO card
		Q6006-67901	Kit, copy connect card (in scanner)
	Q3729-60101		Scanner cable, LVDS cable
	Q3701-60012		Fax card accessory

**Table 8-1 Consumables, supplies, accessories, FRUs, and documents (continued)**

Product number	Service number	Exchange number	Description
<b>Accessories</b>			
RG5-5663-060CN	CC395-60103		Control panel overlay, English
	CC395-60104		Control panel overlay, French (European)
	CC395-60105		Control panel overlay, Italian
	CC395-60106		Control panel overlay, German
	CC395-60107		Control panel overlay, Spanish (Castilian)
	CC395-60108		Control panel overlay, Dutch
	CC395-60109		Control panel overlay, Portuguese (Brazilian)
	CC395-60110		Control panel overlay, Norwegian
	CC395-60111		Control panel overlay, Swedish
	CC395-60112		Control panel overlay, Finnish
	CC395-60113		Control panel overlay, Danish
	CC395-60114		Control panel overlay, Polish
	CC395-60115		Control panel overlay, Russian
	CC395-40016		Control panel overlay, Czech
	CC395-60117		Control panel overlay, Hungarian
	CC395-60118		Control panel overlay, Chinese, traditional
	CC395-60119		Control panel overlay, Chinese, simplified
	CC395-60120		Control panel overlay, Korean
	CC395-60121		Control panel overlay, Japanese
	CC395-60122		Control panel overlay, Turkish
	CC395-60123		Control panel overlay, Hebrew
	CC395-60124		Control panel overlay, Greek
	CC395-60125		Control panel overlay, Arabic
	CC395-60126		Control panel overlay, Thai
	CC395-60127		Control panel overlay, Croatian

**Table 8-1 Consumables, supplies, accessories, FRUs, and documents (continued)**

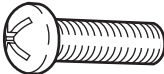

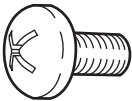
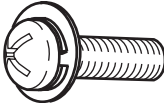

Product number	Service number	Exchange number	Description
	CC395-60128		Control panel overlay, Romanian
	CC395-60129		Control panel overlay, Slovak
	CC395-60130		Control panel overlay, Slovenian
	CC395-60135		Control panel overlay, Catalan
	CC395-60136		Control panel overlay, Bahasa Indonesian
<b>Accessories</b>			
Q7718A	Q7718-67901		128 MB DIMM
Q7719A	Q7719-67901		256 MB DIMM
0950-4653			Hard disk
C8568A	C8568-67902		Tray 1
C8531A	C8531-67908	C8531-69018	2,000-sheet feeder (Tray 4)
RG5-6212-320CN		C8531-69019	2,000-sheet feeder (Tray 4) cassette only
RG5-6225-100CN			Vertical transfer assembly
RG5-6228-060CN			Paper deck drive assembly
RG5-6228-080CN		C8531-69013	Paper pickup assembly
C8085A			3,000-sheet stapler/stacker
C8088B			Multifunction finisher
Q8532A			8-bin mailbox
C8532A	C8532-67903	C8532-69003	Duplexer
<b>Documentation</b>			
CC395-67901			Service manual bundle
C8088-90902			HP Multifunction Finisher Service Guide
Q5693-90902			Output finishing devices service manual
C9152-90901			PM kit installation guide

## Common hardware

**Figure 8-1** Measurements



**Table 8-2** Hardware table

Example	Description	Sizes	Uses
	Screw	M3x6 mm M3x8 mm M4x8 mm M4x10 mm	Various
	Screw, tapping	M3x6 mm M3x8 mm M3x30 mm M4x6 mm M4x12 mm	To hold plastic to metal (excluding the control panel)
	Screw, pan head	M3x6 mm	To hold plastic to plastic
	Screw, w/washer	M3x6 mm M3x8 mm M3x7 mm M4x6 mm M4x12 mm	To hold plastic to metal (excluding the covers)
	E-ring	XD9-0136-000CN XD9-0134-000CN	To hold gears in place


**Table 8-3** Common torque values

Material	Recommended torque value
Plastic to metal	5.5 lb-in
Metal to metal	10 lb-in
PCBA	5.5 lb-in
Plastic to plastic	5.5 lb-in

## Illustrations and parts lists

The following illustrations and parts tables list the FRUs for this product. Two tables at the end list the parts: Alphabetical parts list, and Numerical parts list.

---

 **NOTE:** Parts that have no part numbers or item numbers are not available.

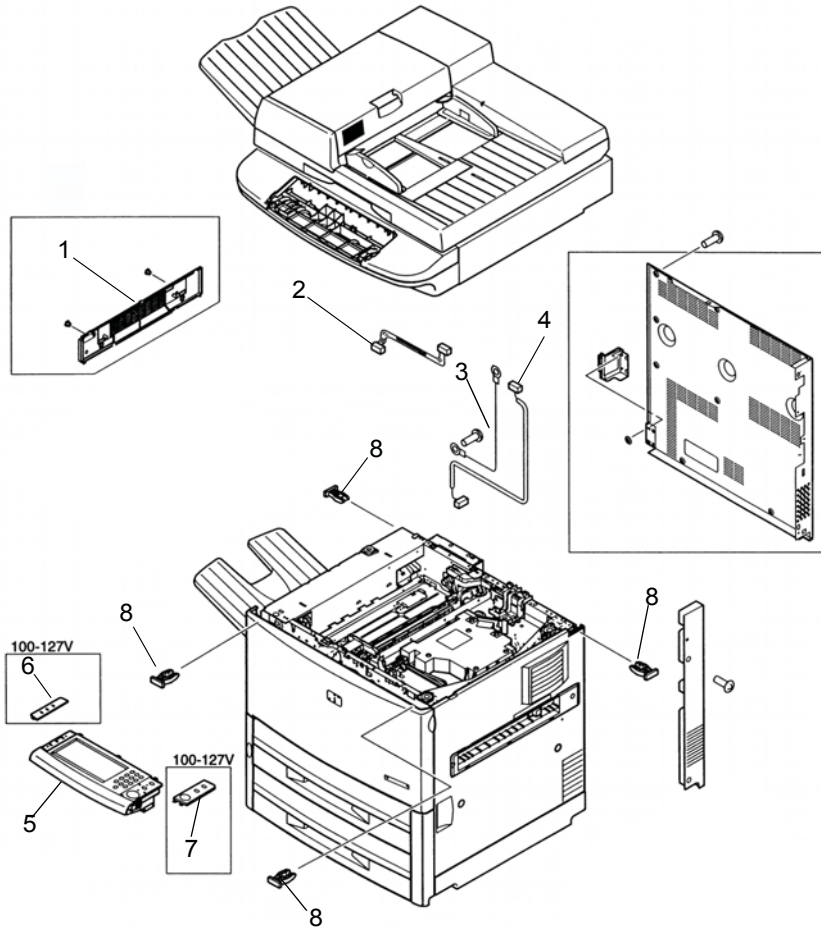
---





# Scanner assembly

Figure 8-2 Scanner assembly

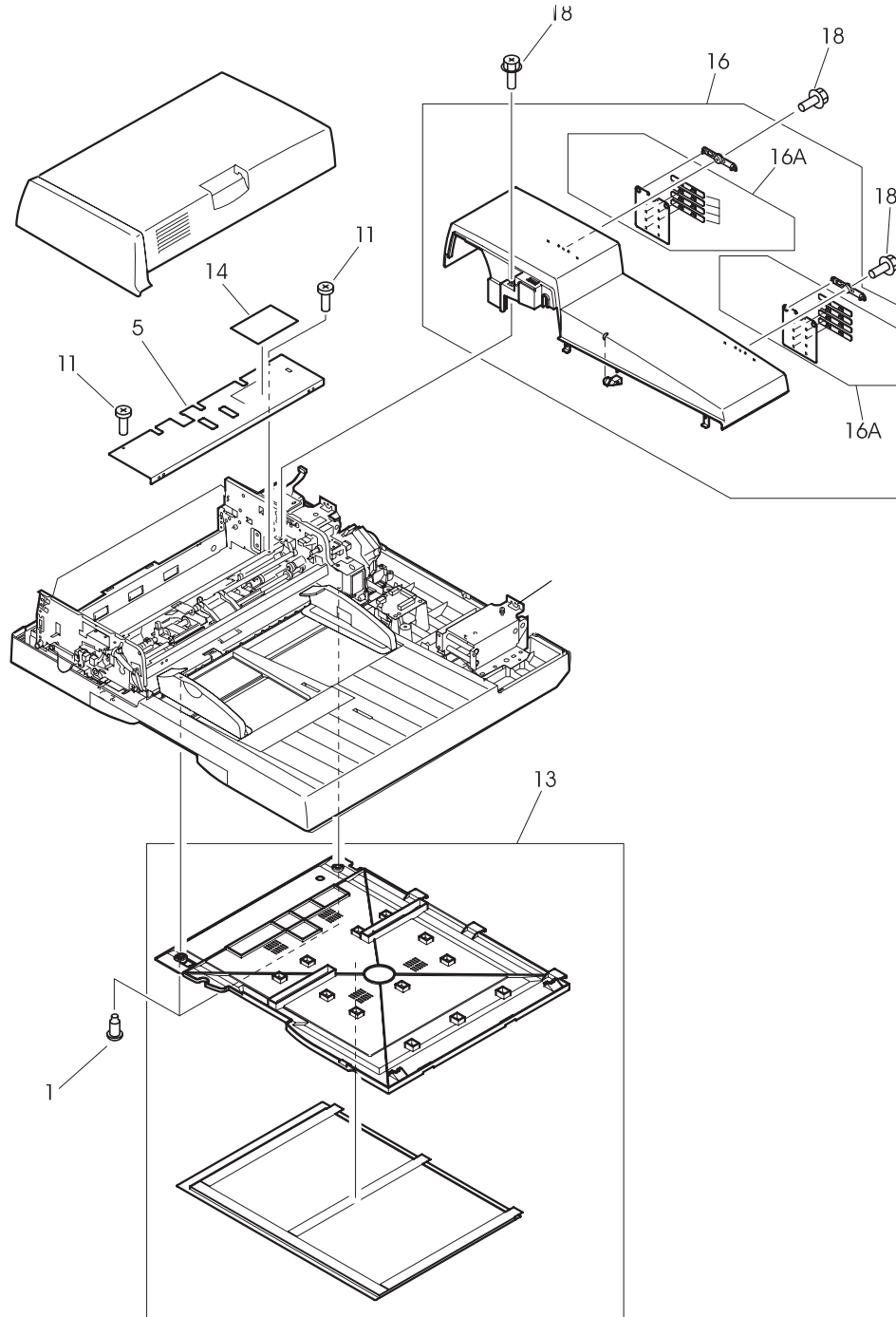


**Table 8-4 Scanner assembly**

Ref	Description	Part number	Qty
1	Left upper cover assembly	RG5-5706-000CN	1
2	Control panel cable	RG5-5752-000CN	1
3	Grounding cable	RG5-5736-000CN	1
4	Power supply cable	RG5-5735-000CN	1
5	Control panel assembly	CC395-60102	1
6	Control panel overlay, left	See <a href="#">Table 8-1 Consumables, supplies, accessories, FRUs, and documents on page 406.</a>	1
7	Control panel overlay, right	See <a href="#">Table 8-1 Consumables, supplies, accessories, FRUs, and documents on page 406.</a>	1
8	Holder lock	RB2-6495-000CN	4

# Scanner engine covers and panels

Figure 8-3 Scanner engine covers and panels (1 of 2)





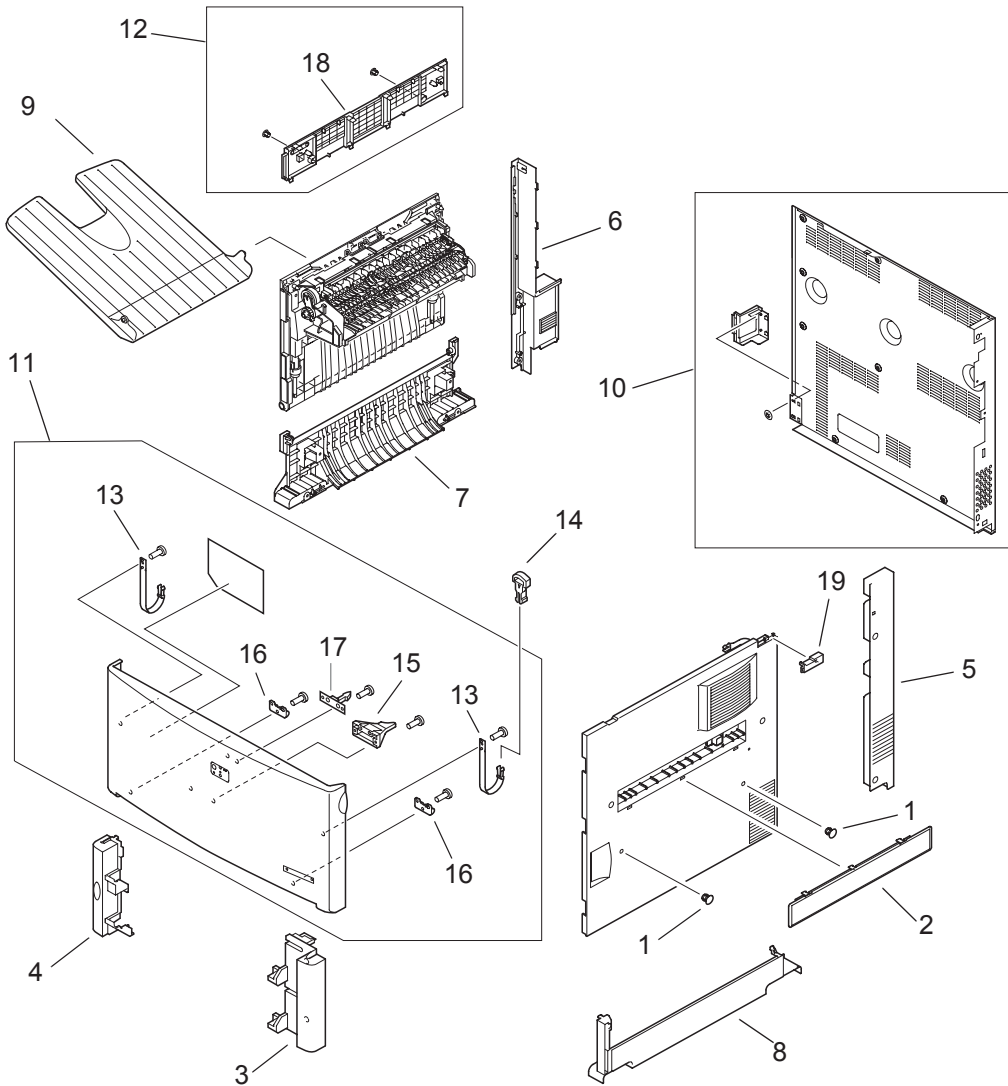


**Table 8-5 Scanner engine covers and panels**

<b>Ref</b>	<b>Description</b>	<b>Part number</b>	<b>Qty</b>
1	Screw, stepped M4x3.2	Not orderable	2
2	Plate, crossmember	Not orderable	1
3	Bracket, mount	Not orderable	2
4	Delivery tray assembly	RG5-6316-000CN	1
5	Plate, cover upper	Not orderable	1
6	Cover, left	RB2-8054-000CN	1
7	Plate, protect	Not orderable	1
8	Rear cover assembly	Not orderable	1
8A	Holder, document stop	Not orderable	1
9	Plate, rear sub	Not orderable	1
10	Cover, connector	RB2-8060-000CN	2
11	Screw, M3x5	Not orderable	4
12	Guide, delivery unit	RF5-3674-000CN	1
13	Cover, copyboard unit	RF5-3695-000CN	1
14	Label, jam clearing	Not orderable	1
15	Screw, TP M4x8	Not orderable	2
16	ADF rear cover assembly	RG5-6315-000CN	1
16A	Hinge cover assembly	RG5-6317-000CN	2
17	Screw, RS M3x6	Not orderable	16
18	Screw, RS M3x8	Not orderable	7

# Print engine covers and panels

Figure 8-5 Print engine covers and panels





**Table 8-6 Print engine covers and panels**

<b>Ref</b>	<b>Description</b>	<b>Part number</b>	<b>Qty</b>
1	Cap, right cover	RB2-5675-000CN	2
2	Cover, tray 1 blanking	RB2-5676-000CN	1
3	Cover, right rail	RB2-5682-000CN	1
4	Cover, left rail	RB2-5683-000CN	1
5	Cover, right back	RB2-5684-000CN	1
6	Cover, left back	RB2-5687-000CN	1
7	Cover, left lower	RB2-5687-000CN	1
8	Cover, right lower	RB2-5689-000CN	1
9	Tray, face-up	RB2-5690-000CN	1
10	Back cover assembly	RG5-5701-000CN	1
11	Front cover assembly	RG5-5702-050CN	1
12	Left upper cover assembly	RG5-5705-030CN	1
13	Tape, cover (retaining strap)	RB2-5653-000CN	2
14	Strap, rock block, retaining clip	RB2-5655-000CN	2
15	Pin	RB2-5656-000CN	1
16	Bushing	RB2-5652-000CN	2
17	Latch, roller-action	RB2-5700-000CN	1
18	Cover, left upper	RB2-6491-000CN	1
19	Plate, lock, right side	RB2-5679-000CN	1

# Flatbed scanner assembly

Figure 8-6 Flatbed scanner assembly (1 of 3)

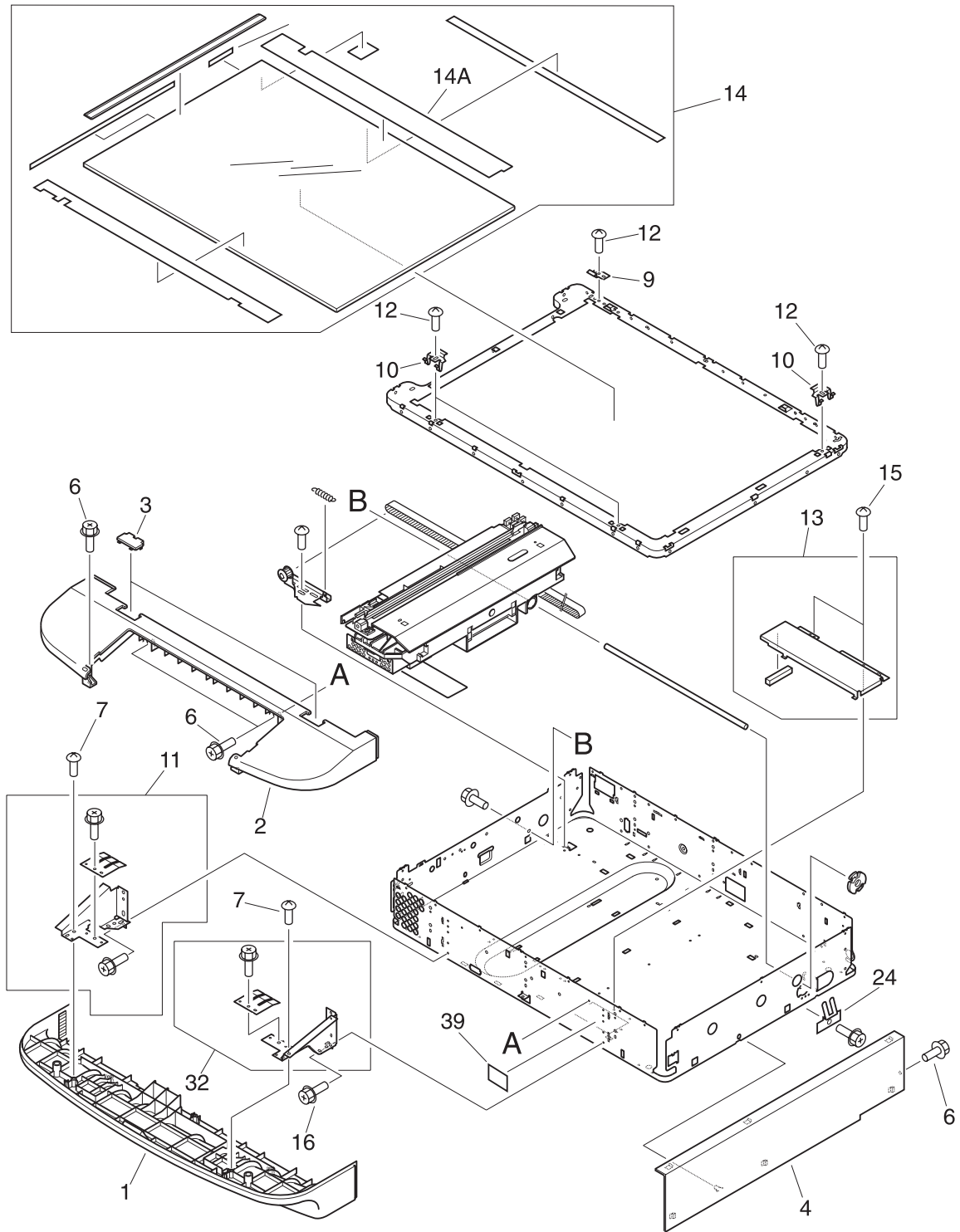
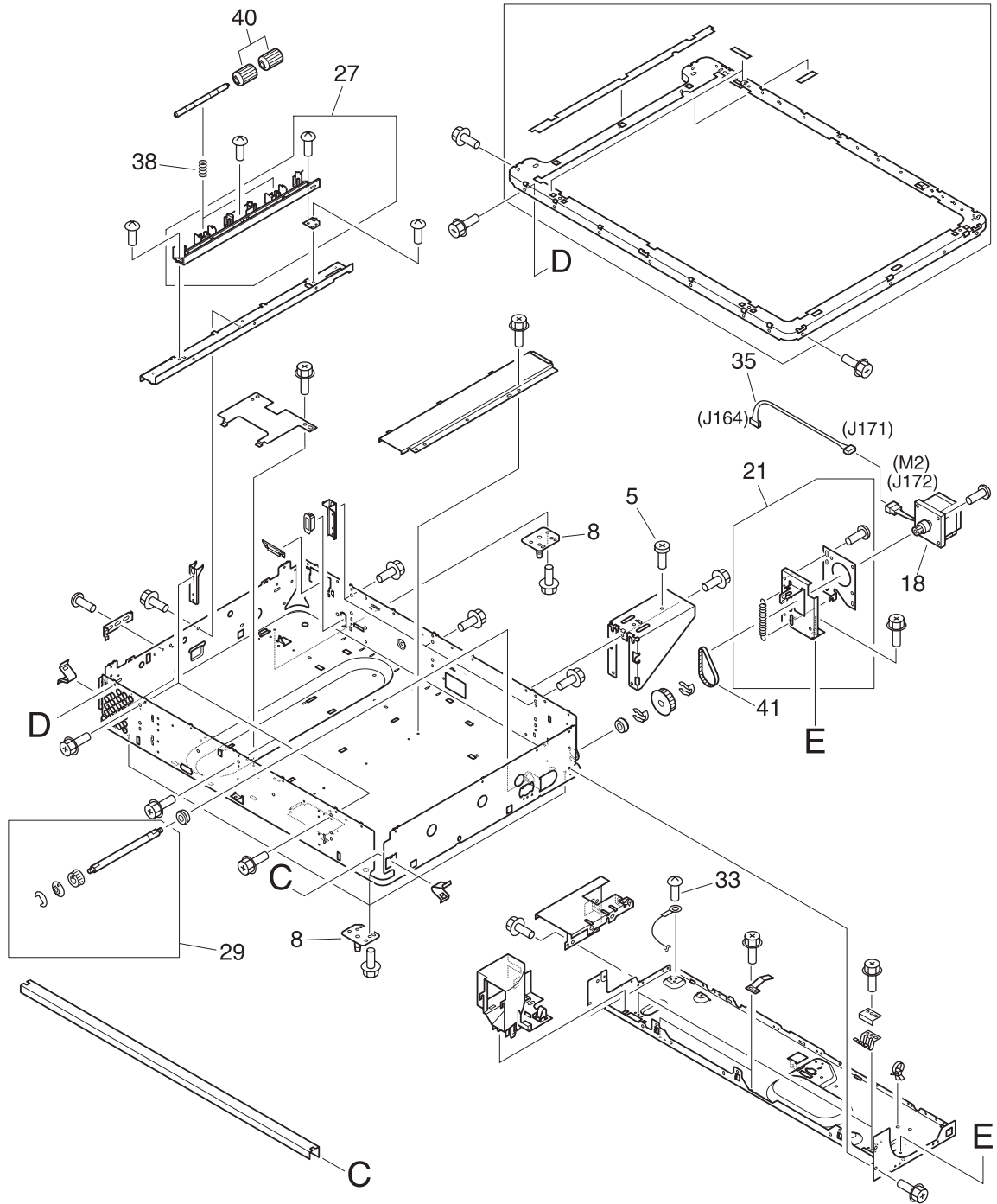
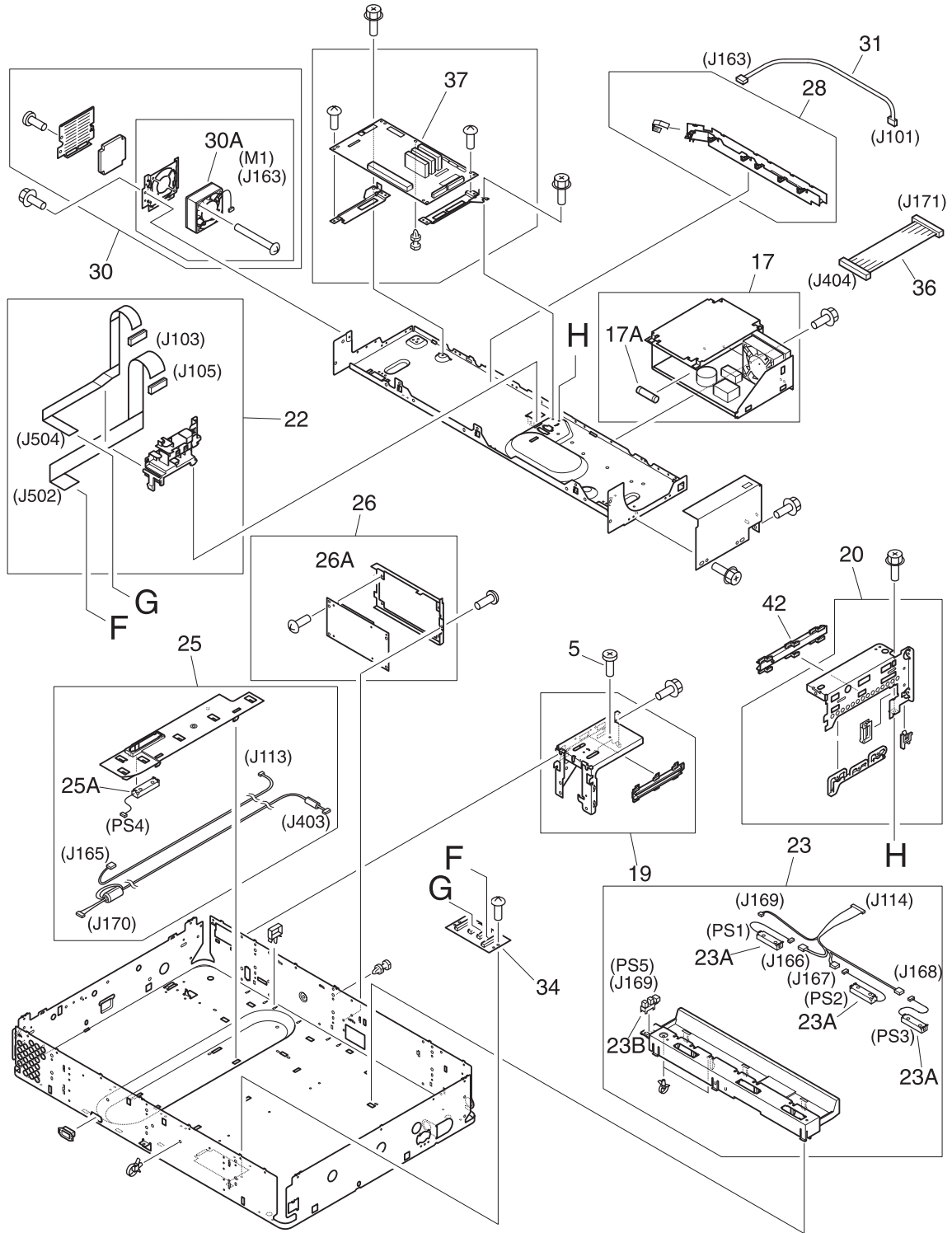


Figure 8-7 Flatbed scanner assembly (2 of 3)



**Figure 8-8** Flatbed scanner assembly (3 of 3)



**Table 8-7 Flatbed scanner assembly**

Ref	Description	Part number	Qty
1	Cover, front lower	RB2-7933-000CN	1
2	Cover, front upper	RB2-7934-000CN	1
3	Cover, glass mount	RB2-7935-000CN	2
4	Cover, right	RB2-8063-000CN	1
5	Screw	Not orderable	6
6	Screw, RS M3x8	Not orderable	6
7	Screw, M4x10	Not orderable	5
8	Pivot, positioning	Not orderable	4
9	Mount, glass 3	RB2-7927-000CN	1
10	Mount, glass 13	RB2-7928-000CN	3
11	Reinforcement plate assembly	Not orderable	1
12	Screw, M3x5	Not orderable	4
13	Plate, base	Not orderable	1
14	Copyboard glass unit	RF5-3676-000CN	1
14A	Plate, width index	Not orderable	1
15	Screw, TP M3x6	Not orderable	2
16	Screw, RS M3x6	Not orderable	6
17	Power supply assembly	RG1-4153-000CN	1
17A	Fuse, 250V, 5A	VD7-0645-001CN	1
18	Motor, 24vdc	RH7-1485-000CN	1
19	Left hinge assembly	Not orderable	1
20	Cable, guide assembly	Not orderable	1
21	Motor bracket assembly	Not orderable	1
22	Scanner controller cable	RG5-6257-000CN	1
23	Sensor crossmember assembly	RG5-6258-000CN	1
23A	Sensor, document size	Not orderable	Not applicable
23B	Photo interrupter, TLP1241	Not orderable	Not applicable
24	Plate, slide shaft	RB2-7920-000CN	1
25	Flatbed sensor assembly	RG5-7806-000CN	1
25A	Sensor, document size	Not orderable	Not applicable
26	Intermediate PCA case	Not orderable	Not applicable
26A	Intermediate PCA	RH5-7807-000CN	1

**Table 8-7 Flatbed scanner assembly (continued)**

Ref	Description	Part number	Qty
27	Delivery roller assembly	RG5-6266-000CN	1
28	Ground cable	Not orderable	1
29	Cartridge drive assembly	Not orderable	1
30	Fan assembly	RG5-6318-000CN	1
30A	Fan	Not orderable	1
31	Cable, fan	Not orderable	1
32	Reinforcement plate assembly	Not orderable	1
33	Screw, M4x6	Not orderable	1
34	Flatbed intermediate PCA	RH5-3073-030CN	1
35	Scanner motor cable	Not orderable	1
36	DC controller cable	Not orderable	1
37	Scanner controller PCA	RH5-3075-090CN	1
38	Spring, compression	RS6-2492-020CN	2
39	Label, adjustment	Not orderable	1
40	Lower delivery roller	RB2-7884-000CN	4
41	Belt, timing	Not orderable	1
42	Guide, slide	Not orderable	1







**Table 8-8 Flatbed optical assembly**

Ref	Description	Part number	Qty
Complete assembly	Flatbed optical assembly	RG5-6263-070CN	1
1	Cover, shield	Not orderable	1
2	Lamp assembly	Not orderable	1
3	Plate, shield	Not orderable	1
4	Holder FFC	Not orderable	1
5	Spindle	Not orderable	2
6	Guide, cartridge	Not orderable	1
7	Edge, cable	Not orderable	1
8	Ferrite core	Not orderable	1
9	Screw, w/washer M4x6	Not orderable	2
10	Screw, M3x12	Not orderable	4
11	Clamp, cable	Not orderable	1
12	Screw, w/washer M3x12	Not orderable	4
13	Screw, TP M3x6	Not orderable	8
14	Screw, M4x10	Not orderable	2
15	Plate, shading	Not orderable	1
16	Flatbed sub frame assembly	Not orderable	1
17	Flatbed lamp assembly	Not orderable	1
18	Clip, cable	Not orderable	2
19	Screw, TP M3x6	Not orderable	3
20	CCD lens assembly	Not orderable	1
21	Lamp	Not orderable	1
22	Flatbed analog processor	Not orderable	1
23	Belt, timing	Not orderable	1
24	Cable, CCD	Not orderable	1
25	Cable, flatbed	Not orderable	1
26	Cable, power	Not orderable	1
27	Inverter PCA	Not orderable	1
28	Flatbed lamp assembly	Not orderable	1
29	Cover, lens	Not orderable	1
30	Cable, scanner	Not orderable	1
31	Cable, lamp	Not orderable	1
32	Bushing	Not orderable	2

**Table 8-8 Flatbed optical assembly (continued)**

<b>Ref</b>	<b>Description</b>	<b>Part number</b>	<b>Qty</b>
33	Block, slide	Not orderable	1
34	Sheet, cover	Not orderable	1





**Table 8-9 ADF scanner assembly**

Ref	Description	Part number	Qty
1	Plate, support	Not orderable	1
2	Guide, harness 1	Not orderable	1
3	Guide, harness 2	Not orderable	1
4	Cover, jam	RB2-8040-000CN	1
5	Guide, I/F 1	RB2-8046-000CN	1
6	Guide, I/F 4	RB2-8047-000CN	1
7	Cover, front	RB2-8048-000CN	1
8	Cover, front	Not orderable	2
9	Screw, stepped M4x12	Not orderable	2
10	Ferrite core	RB2-8678-000CN	1
11	Guide, I/F 5	RB2-8681-000CN	1
12	Guide, I/F 6	RB2-8682-000CN	1
13	Guide, harness	Not orderable	1
14	Screw, w/washer M4x6	Not orderable	1
15	Holder, stop	RB2-8693-000CN	1
16	Cushion	Not orderable	1
17	Cover, lamp right	RF5-3850-000CN	1
18	Processing PCA cable	RH2-5456-000CN	1
19	Clamp, cable	Not orderable	1
20	Clamp, cable	Not orderable	1
21	Screw, M4x10	Not orderable	7
22	Screw, RS M3x6	Not orderable	1
23	Screw, RS M3x8	Not orderable	5
24	Base, cover assembly	RG5-6272-050CN	1
25	Back cover assembly	Not orderable	1
26	ADF width sensor assembly	RG5-6274-000CN	1
27	ADF intermediate PCA	RH5-3078-030CN	1
28	ADF sensor cable	Not orderable	1
29	Cable, guide assembly	RG5-6311-000CN	1
30	ADF fan assembly	RG5-6312-030CN	1
30A	ADF solenoid cable	Not orderable	1
30B	Fan	RH7-1486-020CN	1
31	I/F cable guide assembly	RG5-6313-030CN	1
32	Lever, sensor	RB2-7943-000CN	1

**Table 8-9 ADF scanner assembly (continued)**

<b>Ref</b>	<b>Description</b>	<b>Part number</b>	<b>Qty</b>
33	Photo-interrupter, TLP1241	WG8-5624-000CN	2
34	Guide, rear tray	RF5-3682-000CN	1
35	Guide, front tray	RF5-3698-000CN	1
36	Tray, rack	RB2-7939-000CN	1
37	ADF right hinge	RB2-7974-000CN	1

**NOTE:** The ADF paper pickup assembly (RG5-6275-060CN) includes the ADF left hinge.











**Table 8-10 ADF paper pickup assembly**

Ref	Description	Part number	Qty
Entire assembly	ADF paper pickup assembly	RG5-6275-060CN	1
1	Clip	Not orderable	6
2	Arm, flapper rear	RF5-3689-020CN	1
3	Arm, flapper	RF5-3688-020CN	1
4	Spring, leaf	RB2-7991-000CN	3
5	Holder, spring	RB2-7990-000CN	3
6	Holder, separation	RB2-7989-000CN	3
7	Spring, tension	Not orderable	1
8	Plate, bracket	Not orderable	1
9	Lever, empty	RB2-8002-000CN	1
10	Belt, timing	Not orderable	1
11	Belt, timing	Not orderable	1
12	Weight solenoid assembly	RG5-6289-020CN	1
13	Screw, M3x5	Not orderable	3
14	Bushing	Not orderable	1
15	Bushing	Not orderable	2
16	Weight assembly	RG5-6298-000CN	1
16A	Arm, weight	Not orderable	1
16B	Weight holder assembly	Not orderable	1
16C	Holder, weight plate	RB2-7999-000CN	1
17	Bushing	Not orderable	1
18	Arm, tension	Not orderable	1
19	Belt, timing	RB2-7988-000CN	4
20	Pulley 17T	Not orderable	1
21	Spring, tension	Not orderable	1
22	Spring, tension	RS6-2496-000CN	1
23	Spring, tension	RS6-2498-000CN	1
24	Gear, 16T	Not orderable	1
25	Empty sensor bracket	Not orderable	1
25A	Micro-switch	WC4-5175-000CN	1
25B	Photo-interrupter, TLP1241	Not orderable	1
26	Screw, M3x8	Not orderable	6
27	Screw, RS M3x6	Not orderable	23
28	Gear shaft assembly	Not orderable	1

**Table 8-10 ADF paper pickup assembly (continued)**

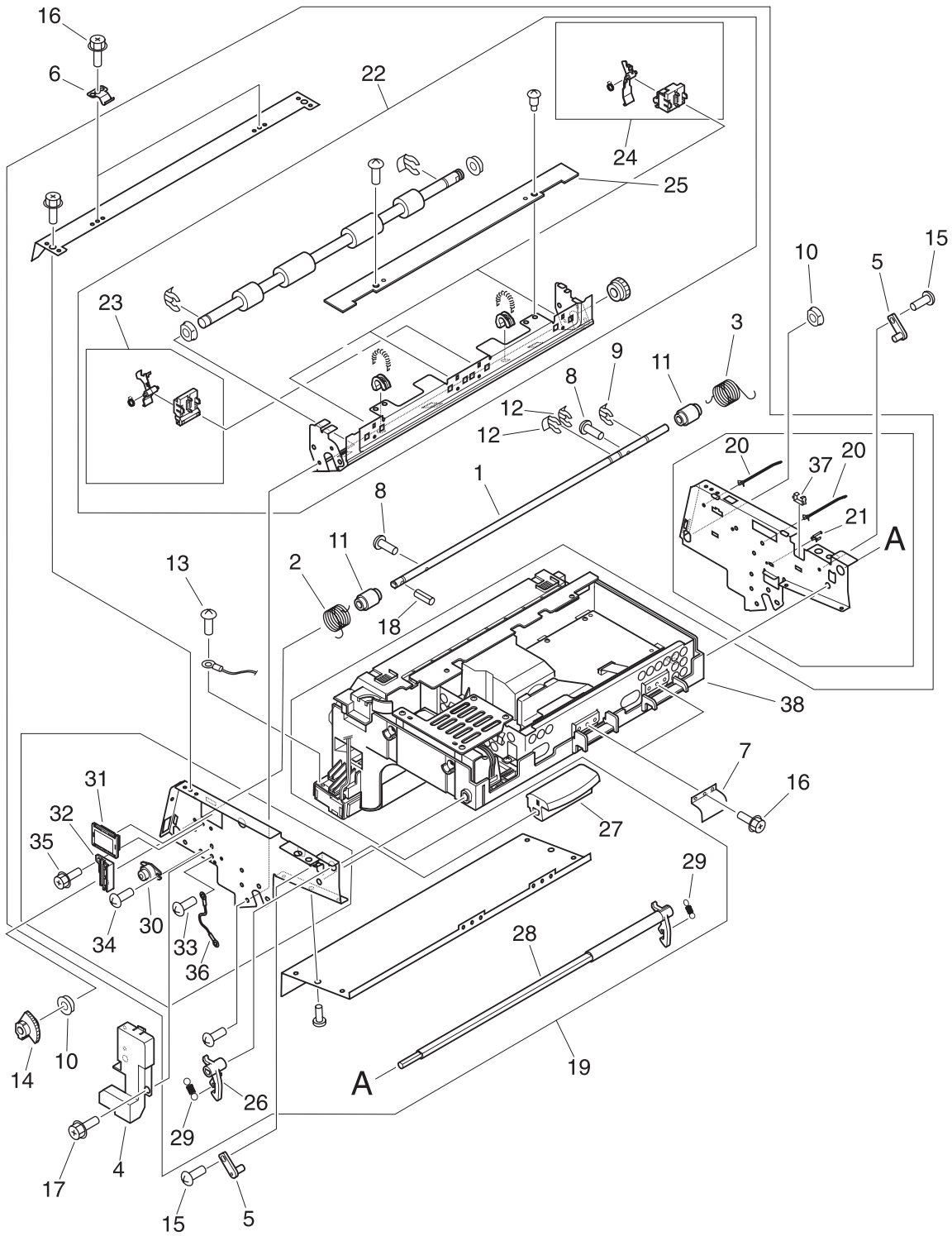
Ref	Description	Part number	Qty
29	Drive tension bracket	Not orderable	1
29A	Bracket, tension	Not orderable	1
29B	Screw, M4x8	Not orderable	2
29C	Clamp	Not orderable	2
29D	Motor, 24vdc	RH7-1488-030CN	1
30	Screw, M3x8	Not orderable	3
31	Clip	Not orderable	4
32	Spring, tension	Not orderable	1
33	Spring, tension	RS6-2496-000CN	1
34	Solenoid	RH7-5312-020CN	1
35	Mount, motor	Not orderable	1
36	Gear, 28T	Not orderable	1
37	Bushing	Not orderable	1
38	Separation roller assembly	RG5-6281-030CN	1
39	Separation shaft assembly	Not orderable	1
40	Pickup roller assembly	RG5-6283-020CN	1
40A	Roller, pickup	RB2-7961-000CN	1
41	ADF sensor cable	Not orderable	1
42	Photo-interrupter, TLP1241	Not orderable	1
43	Clamp. cable	Not orderable	1
44	Clamp. cable	Not orderable	1
45	Pickup sensor assembly	RG5-6285-020CN	1
45A	Photo-interrupter, TLP1241	WG8-5624-000CN	1
46	Drive motor assembly	Not orderable	1
47	Feed motor assembly	Not orderable	1
47A	Plate, motor mount	Not orderable	1
47B	Clamp	Not orderable	3
47C	Motor, 24vdc	RH7-1487-020CN	1
47D	Screw, RS M3x6	Not orderable	2
48	Flag, empty	RB2-7978-000CN	1
49	Belt, timing	Not orderable	1
50	Clip	Not orderable	1
51	Lever, shutter	Not orderable	1

**Table 8-10 ADF paper pickup assembly (continued)**

Ref	Description	Part number	Qty
52	ADF left hinge	Not orderable	1
	<b>NOTE:</b> The ADF left hinge is included with the ADF paper pickup assembly (RG5-6275-060CN).		
501	Screw, TP M3x4	Not orderable	1
502	Shutter assembly	RG5-6286-000CN	1
503	Roller delivery	RG5-6266-000CN	1
504	Static charge eliminator	RB2-7970-000CN	1
505	Lever, open	RB2-8002-000CN	1
506	Registration roller assembly	RG5-6277-000CN	1

# ADF main assembly

Figure 8-13 ADF main assembly



**Table 8-11 ADF main assembly**

Ref	Description	Part number	Qty
Entire assembly	ADF main assembly	RG5-7379-040CN	1
1	Shaft, support	Not orderable	1
2	Spring, torsion	Not orderable	1
3	Spring, torsion	Not orderable	1
4	Cover, cable	RB2-8031-000CN	3
5	Pin	Not orderable	2
6	Spring, leaf	Not orderable	2
7	Spring, leaf	Not orderable	2
8	Screw, M4x6	Not orderable	2
9	Ring, stop	Not orderable	1
10	Bushing	Not orderable	2
11	Collar	Not orderable	1
12	Clip	Not orderable	2
13	Screw, w/washer M4x6	Not orderable	1
14	Gear, 50T	Not orderable	1
15	Screw, M3x8	Not orderable	2
16	Screw, RS M3x6	Not orderable	6
17	Screw, RS M3x8	Not orderable	2
18	Pin, spring	Not orderable	1
19	Cartridge frame assembly	Not orderable	1
20	Clamp, cable	Not orderable	2
21	Clamp, cable	Not orderable	1
22	Registration guide assembly	RG5-6304-040CN	4
23	Registration sensor holder assy	RG5-6305-000CN	1
24	Timing sensor holder assembly	RG5-6306-020CN	3
25	ADF sensor PCA	RH5-3079-030CN	1
26	Lever, knob	RB2-8017-000CN	1
27	Knob	RB2-8015-000CN	1
28	Shaft, knob	RB2-8016-000CN	1
29	Spring, tension	RS6-2503-000CN	2
30	Gear damper unit	Not orderable	1
31	Guide, edge	Not orderable	1
32	Guide, cable	Not orderable	1
33	Screw, w/washer M4x6	Not orderable	1

**Table 8-11 ADF main assembly (continued)**

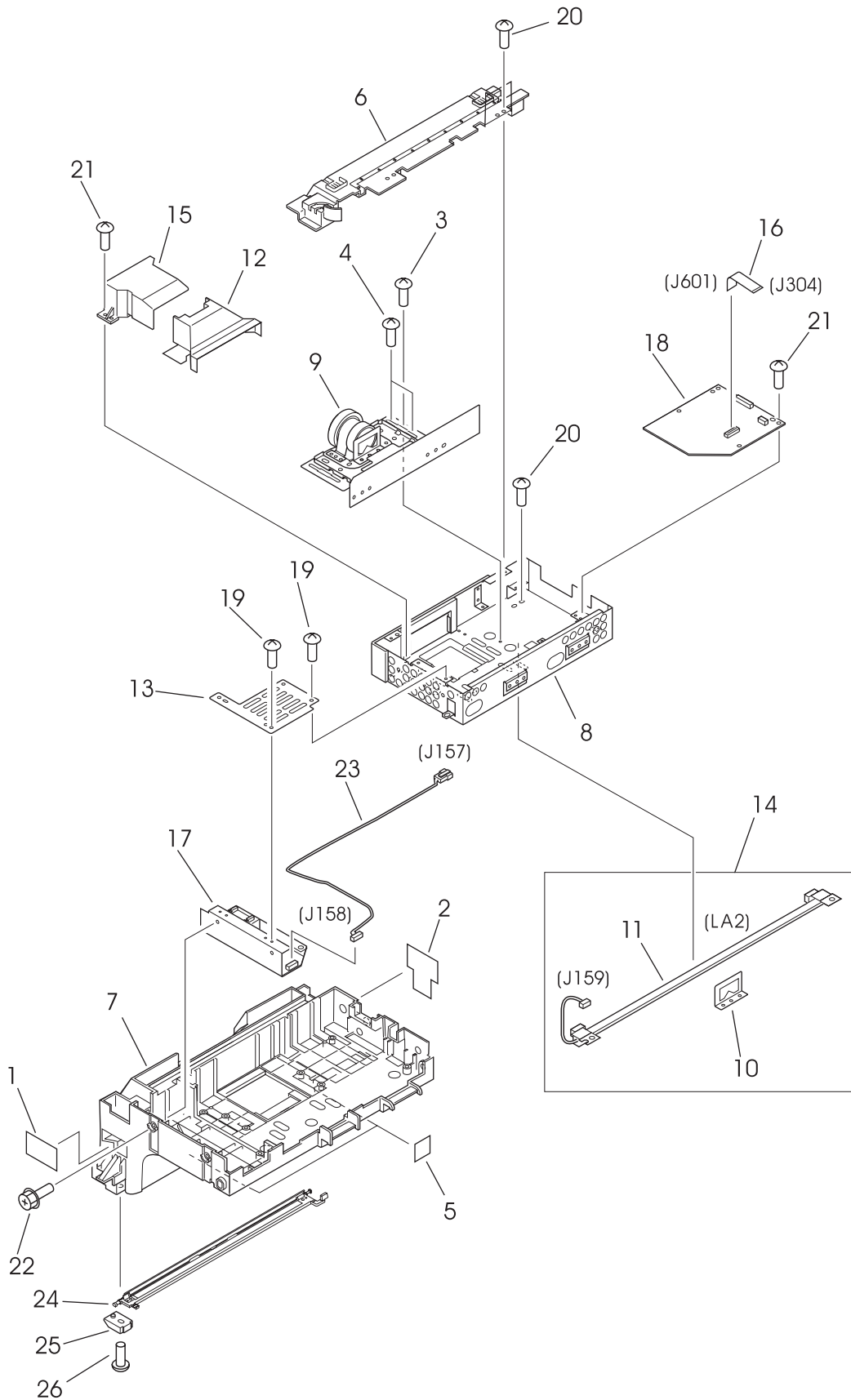
<b>Ref</b>	<b>Description</b>	<b>Part number</b>	<b>Qty</b>
34	Screw, M3x8	Not orderable	2
35	Screw, RS M3x8	Not orderable	1
36	Grounding cable	Not orderable	1
37	Guide, cable	Not orderable	1
38	ADF optical assembly	RG5-6307-020CN	1





# ADF optical assembly

Figure 8-14 ADF optical assembly

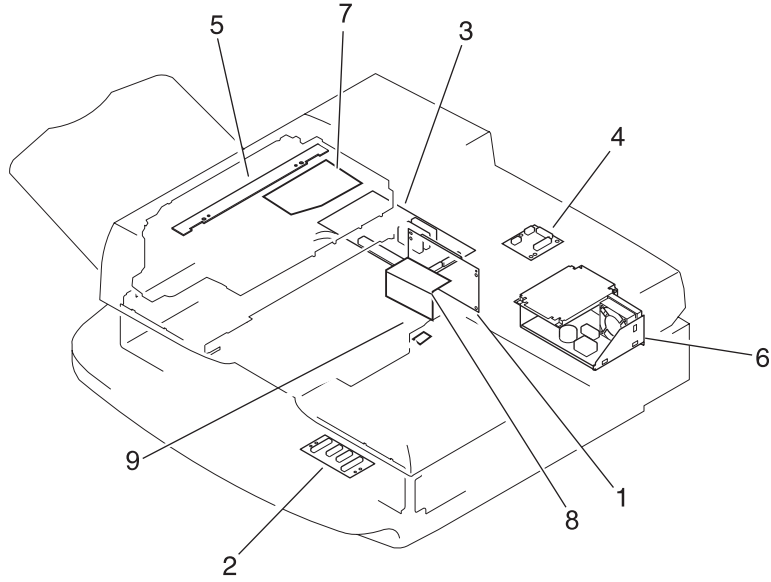


**Table 8-12 ADF optical assembly**

Ref	Description	Part number	Qty
Entire assembly	ADF optical assembly	RG5-6307-020CN	1
1	Sheet, front	Not orderable	1
2	Sheet, rear	Not orderable	1
3	Screw, w/washer M4x6	Not orderable	2
4	Screw, w/washer M3x12	Not orderable	4
5	Damper sheet	Not orderable	2
6	Cover, unit	Not orderable	1
7	ADF scanner assembly chassis	Not orderable	1
8	ADF shield box assembly	Not orderable	1
9	ADF Lens assembly	Not orderable	1
10	Plate, shading	Not orderable	1
11	Lamp	Not orderable	1
12	Cover, lens	Not orderable	1
13	Plate, heat sink	Not orderable	1
14	ADF lamp assembly	Not orderable	1
15	Cover, lens	Not orderable	1
16	Cable, CCD	Not orderable	1
17	Inverter PCA	Not orderable	1
18	ADF analog processor PCA	Not orderable	1
19	Screw, TP M3x6	Not orderable	4
20	Screw, M4x10	Not orderable	4
21	Screw, M3x8	Not orderable	8
22	Screw, RS M3x6	Not orderable	2
23	Cable, ADF inverter	Not orderable	1
24	Flip-down glass assembly	Not orderable	1
25	Plate, glass	Not orderable	2
26	Screw, TP M3x6	Not orderable	2

# Scanner engine PCAs

Figure 8-15 Scanner engine PCAs

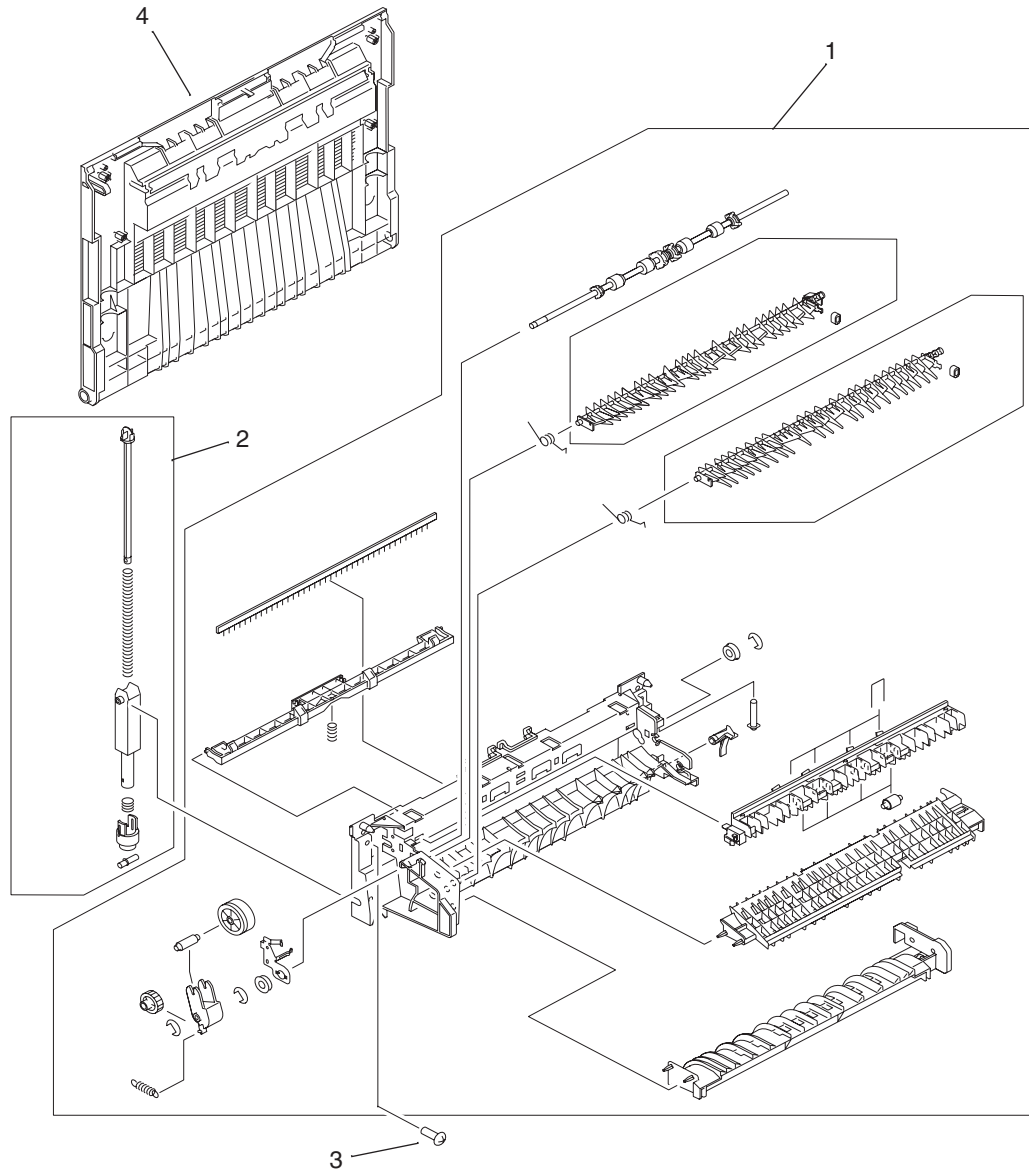


**Table 8-13 Scanner engine PCAs**

<b>Ref</b>	<b>Description</b>	<b>Part number</b>	<b>Qty</b>
1	Intermediate PCA	RH5-3165-030CN	1
2	Flatbed intermediate PCA	RH5-3073-000CN	1
3	Scanner controller PCA	RH5-3075-090CN	1
4	ADF intermediate PCA	RH5-3078-030CN	1
5	ADF sensor PCA	RH5-3079-030CN	1
6	Power supply assembly	RG1-4153-000CN	1
7	ADF analog processor PCA	Not orderable	1
8	Inverter PCA	Not orderable	1
9	ADF width sensor assembly	RG5-6274-000CN	1

# Left door and diverter

Figure 8-16 Left door and diverter

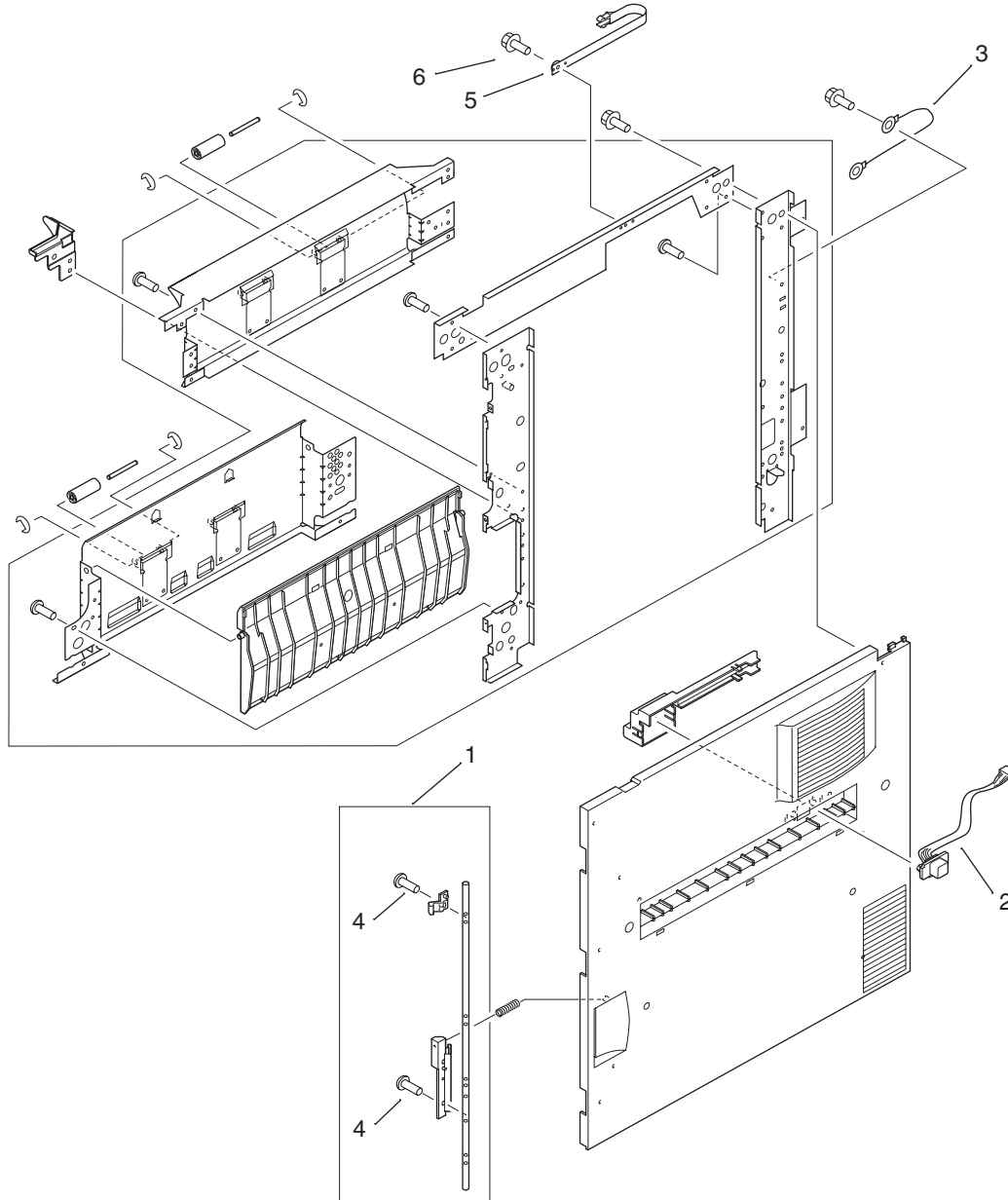


**Table 8-14 Left door and diverter**

<b>Ref</b>	<b>Description</b>	<b>Part number</b>	<b>Qty</b>
Entire assembly	Left door and diverter	RG5-5646-070CN	1
1	Diverter assembly	RG5-5647-070CN	1
2	Damper assembly	RG5-5648-020CN	2
3	Screw, M4x10	XB4-5401-009CN	
4	Cover, left (left door)	RB2-6007-000CN	1

# Right cover assembly

Figure 8-17 Right cover assembly



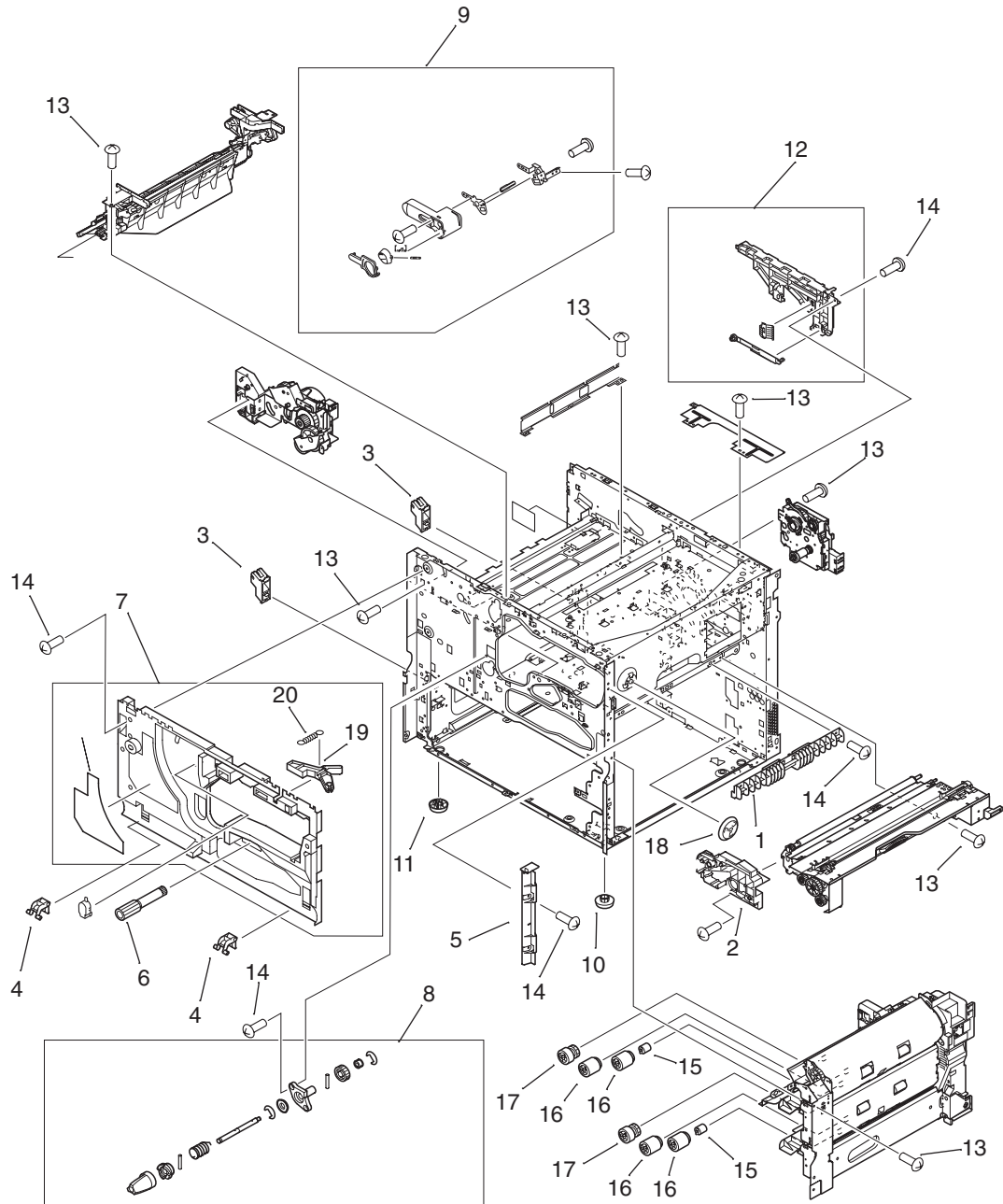


**Table 8-15 Right cover assembly**

<b>Ref</b>	<b>Description</b>	<b>Part number</b>	<b>Qty</b>
Entire assembly	Right cover assembly	RG5-5737-090CN	1
1	Right cover knob assembly	RG5-5740-020CN	1
2	Cable, tray 1	RG5-8038-000CN	1
3	Grounding cable, tray 1	RG5-5764-000CN	1
4	Screw, M3x8	XA9-1200-000CN	
5	Tape, cover (restraining strap)	RB2-5653-000CN	1
6	Screw, M3x8, RS	XA9-1500-000CN	

# Print engine internal components

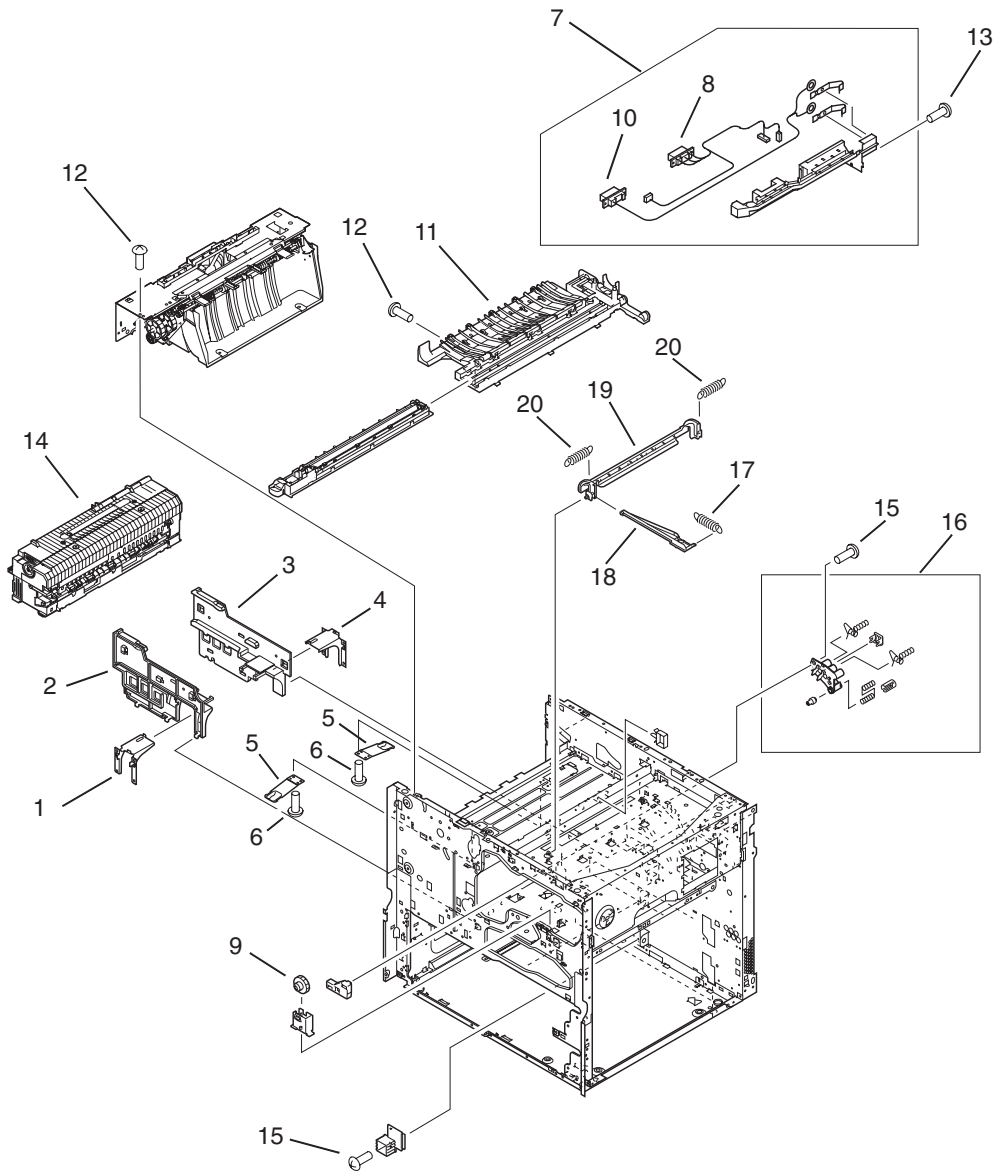
Figure 8-18 Print engine internal components (1 of 4)



**Table 8-16 Print engine internal components (1 of 4)**

Ref	Description	Part number	Qty
1	Guide, pickup	RB2-5522-000CN	1
2	Guide, cartridge	RB2-5526-000CN	1
3	Hinge mount, damper	RB2-5570-020CN	2
4	Hinge arm, front cover	RB2-5654-000CN	2
5	Cover, right door, inside	RB2-5697-000CN	1
6	Knob, registration, jam removal	RB2-5845-000CN	1
7	Front inside cover assembly	RG5-5721-000CN	1
8	Jam clearing assembly, fuser	RG5-5700-030CN	1
9	Lever assembly, cartridge release	RG5-5746-030CN	1
10	Foot, right side	RB1-6421-000CN	2
11	Foot, left side	RB2-5529-000CN	2
12	Guide rail, cartridge	RG5-5718-000CN	1
13	Screw, M3x6, RS	XA9-1495-000CN	
14	Screw, M3x8, RS	XA9-1500-000CN	
15	Torque limiter, spacer	RB2-5759-000CN	2
16	Roller, feed/separation	RF5-3338-000CN	4
17	Roller, PICK	RF5-3340-000CN	2
18	Collar	RB2-5547-000CN	1
19	Link, connect	RB2-5528-000CN	1
20	Spring, tension	RS6-2285-000CN	1

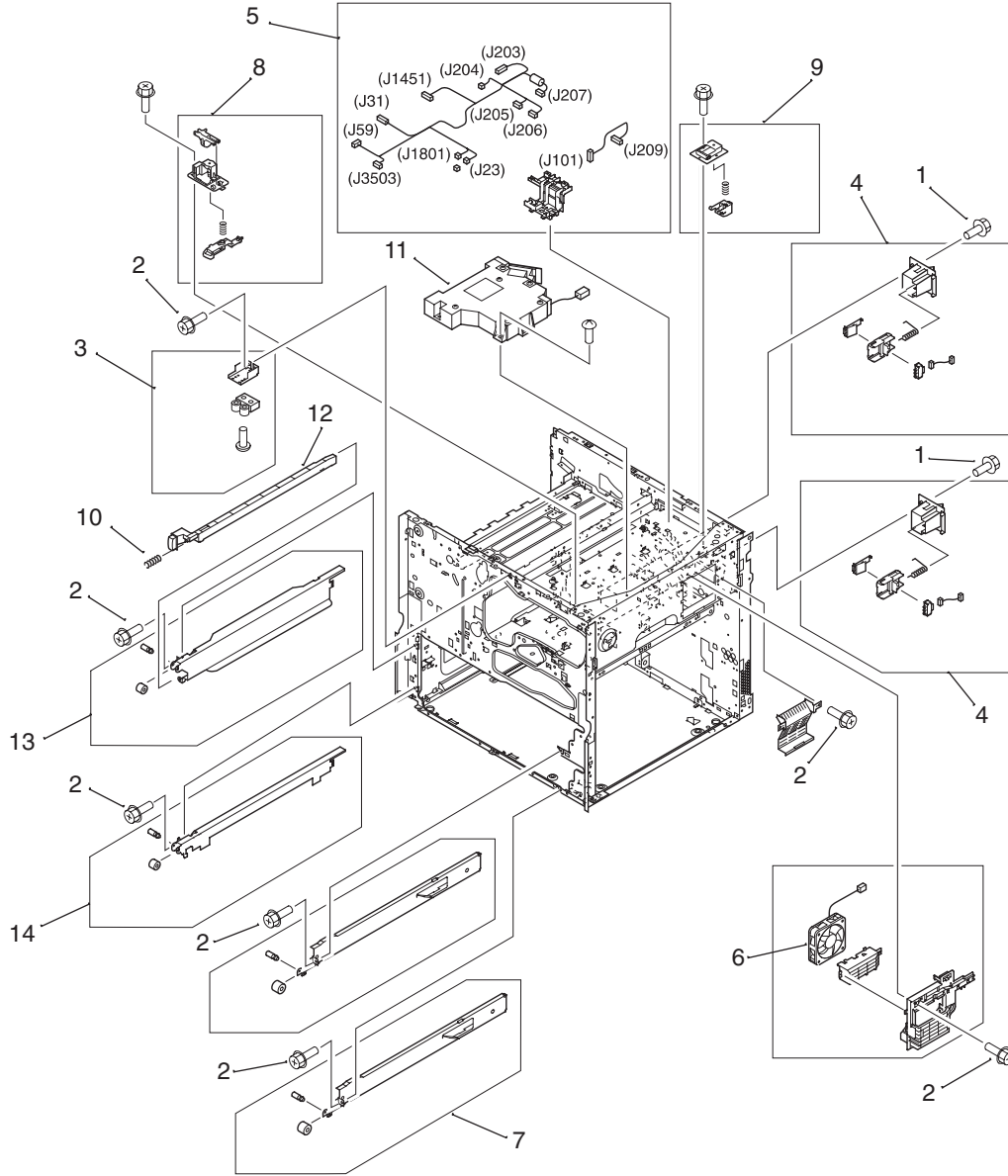
Figure 8-19 Print engine internal components (2 of 4)



**Table 8-17 Print engine internal components (2 of 4)**

Ref	Description	Part number	Qty
1	Front fusing mount	RB2-5517-020CN	1
2	Front fusing rail	RB2-5515-000CN	1
3	Back fusing rail	RB2-5516-000CN	1
4	Back fusing mount	RB2-5518-020CN	1
5	Spring, leaf	RB2-5523-000CN	2
6	Screw, M3x6	XA9-1495-000CN	
7	Fuser connector holder assembly	RG5-5724-050CN	1
8	Fuser power cable	RG5-8025-000CN	1
9	Gear, 21T	RS5-0708-000CN	1
10	Fuser high-voltage cable	RG5-8034-000CN	1
11	Feed guide, transfer	RG5-5651-030CN	1
12	Screw, M3x6, RS	XA9-1495-000CN	
13	Screw, M3x8, RS	XA9-1500-000CN	
14	Fuser assembly, 110 V	RG5-5750-270CN	1
14	Fuser assembly, 220 V	RG5-5751-270CN (220V)	1
15	Screw, M3x8	XA9-1500-000CN	
16	Toner contact assembly	RG5-5717-020CN	1
17	Spring, tension	RS6-2299-000CN	
18	Arm, shutter	RB2-5639-000CN	1
19	Shutter, laser	RB2-5640-000CN	1
20	Spring, tension	RS6-2296-000CN	2

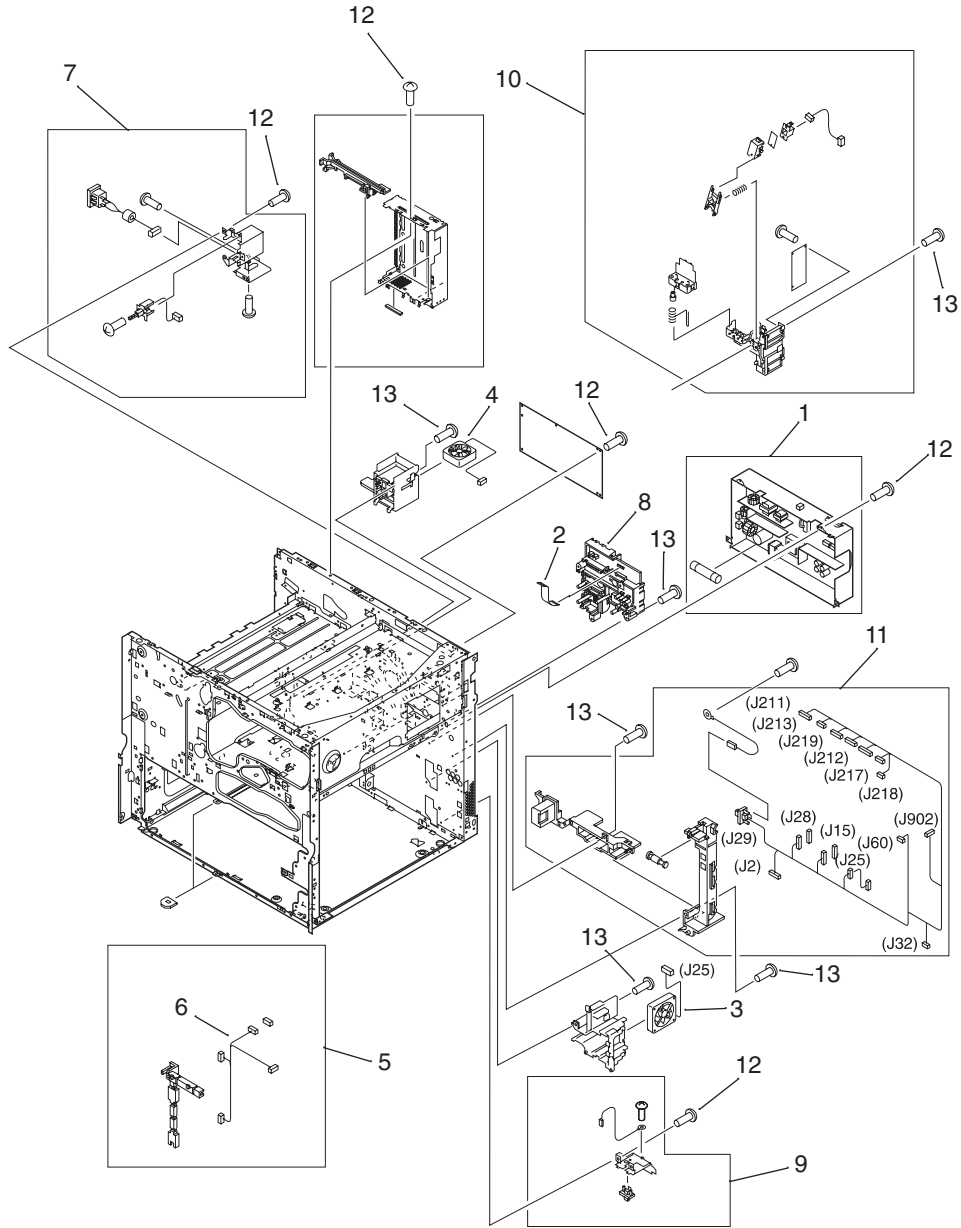
Figure 8-20 Print engine internal components (3 of 4)



**Table 8-18 Print engine internal components (3 of 4)**

Ref	Description	Part number	Qty
1	Screw, M3x6, RS	XA9-1495-000CN	
2	Screw, M3x8, RS	XA9-1500-000CN	
3	Latch mount assembly	RG5-5704-040CN	1
4	End paper sensor assembly	RG5-5699-040CN	2
5	Upper cable guide assembly	RG5-7787-000CN	1
6	Fan, #5, cartridge fan	RH7-5306-000CN	1
7	Right rail assembly	RG5-5715-030CN	2
8	Cartridge, front pressure assembly	RG5-5709-000CN	1
9	Cartridge, back pressure assembly	RG5-5710-000CN	1
10	Spring, compression	RS6-2302-000CN	
11	Laser/scanner assembly	RG5-5826-090CN	1
12	Rod, switch, ON/OFF	RB2-5661-000CN	1
13	Left rail, upper	RG5-5713-020CN	1
14	Left rail, lower	RG5-5714-020CN	1

Figure 8-21 Print engine internal components (4 of 4)



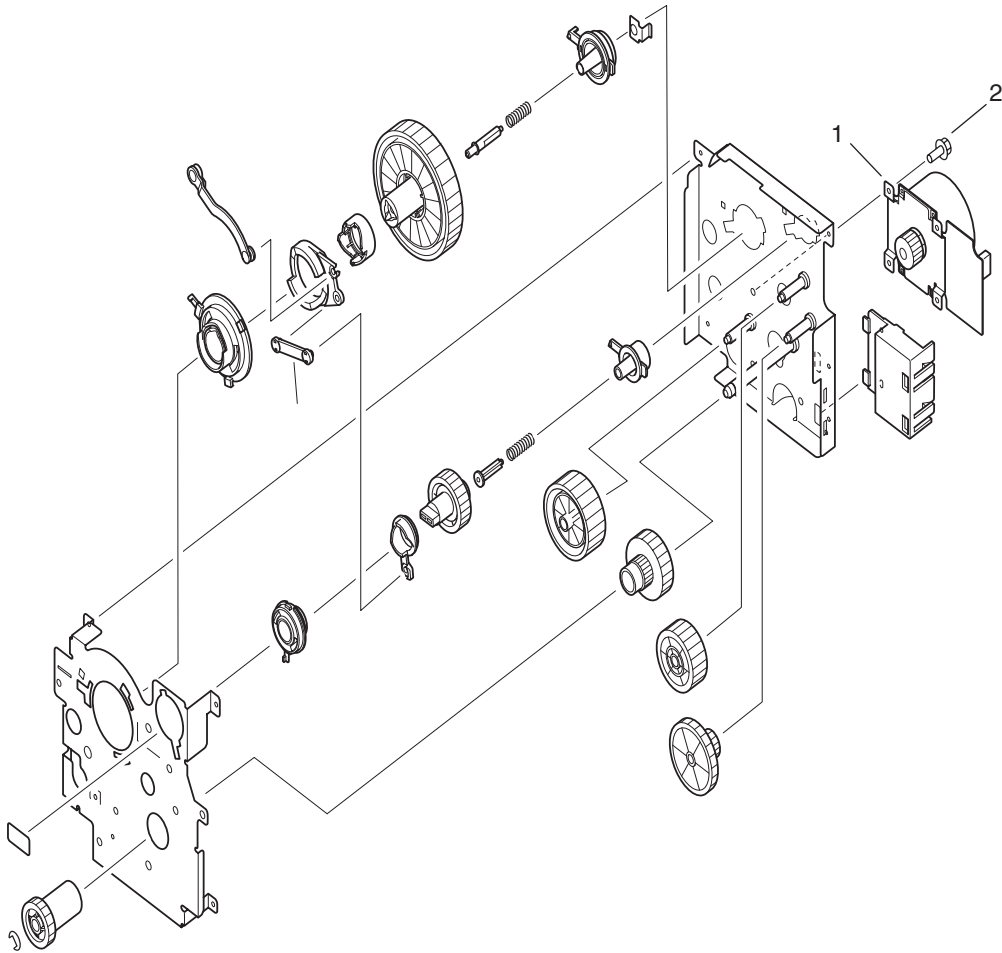


**Table 8-19 Print engine internal components (4 of 4)**

Ref	Description	Part number	Qty
1	Low voltage power supply assembly 110 V	RG5-7778-030CN	1
1	Low voltage power supply assembly 220 V	RG5-7779-030CN (220V)	1
2	Cable, HVPS flat ribbon	RH2-5445-000CN	1
3	Fan, #1, power supply	RH7-1657-000CN	1
4	Fan, #2, controller	RH7-1623-000CN	1
5	Back cable holder assembly	RG5-7786-000CN	1
6	Fan connecting cable	RG5-7783-000CN	1
7	Inlet assembly (Power SW 10)	RG5-5727-030CN	1
8	High voltage power supply (HVPS)	RG5-5728-100CN	1
9	Connector assembly	RG5-5779-030CN	1
10	Toner sensor contact with memory (antenna)	RG5-5719-100CN	1
11	Main cable harness assembly	RG5-5722-030CN	1
12	Screw, M3x6, RS	XA9-1495-000CN	
13	Screw, M3x8, RS	XA9-1500-000CN	

# Drum feed drive assembly

Figure 8-22 Drum feed drive assembly

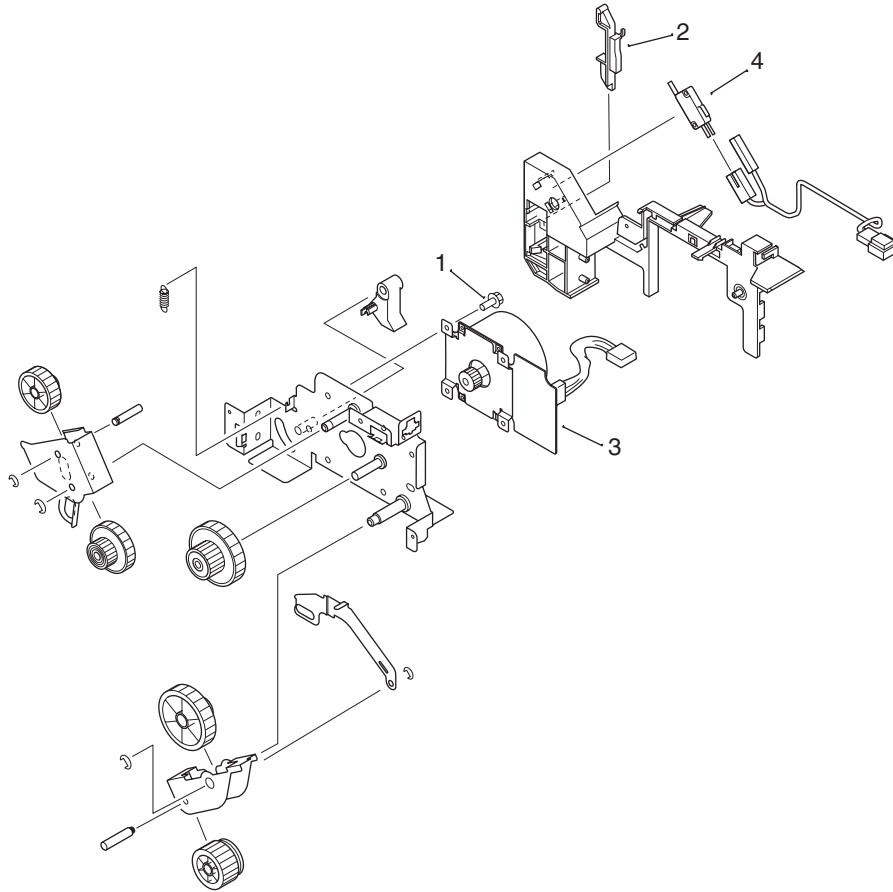


**Table 8-20 Drum feed drive assembly**

<b>Ref</b>	<b>Description</b>	<b>Part number</b>	<b>Qty</b>
Entire assembly	Drum feed drive assembly	RG5-5656-080CN	1
1	Main motor (M2)	RH7-1656-000CN	1
2	Screw, M3x6	XA9-1495-000CN	

# Fuser delivery drive assembly

Figure 8-23 Fuser delivery drive assembly

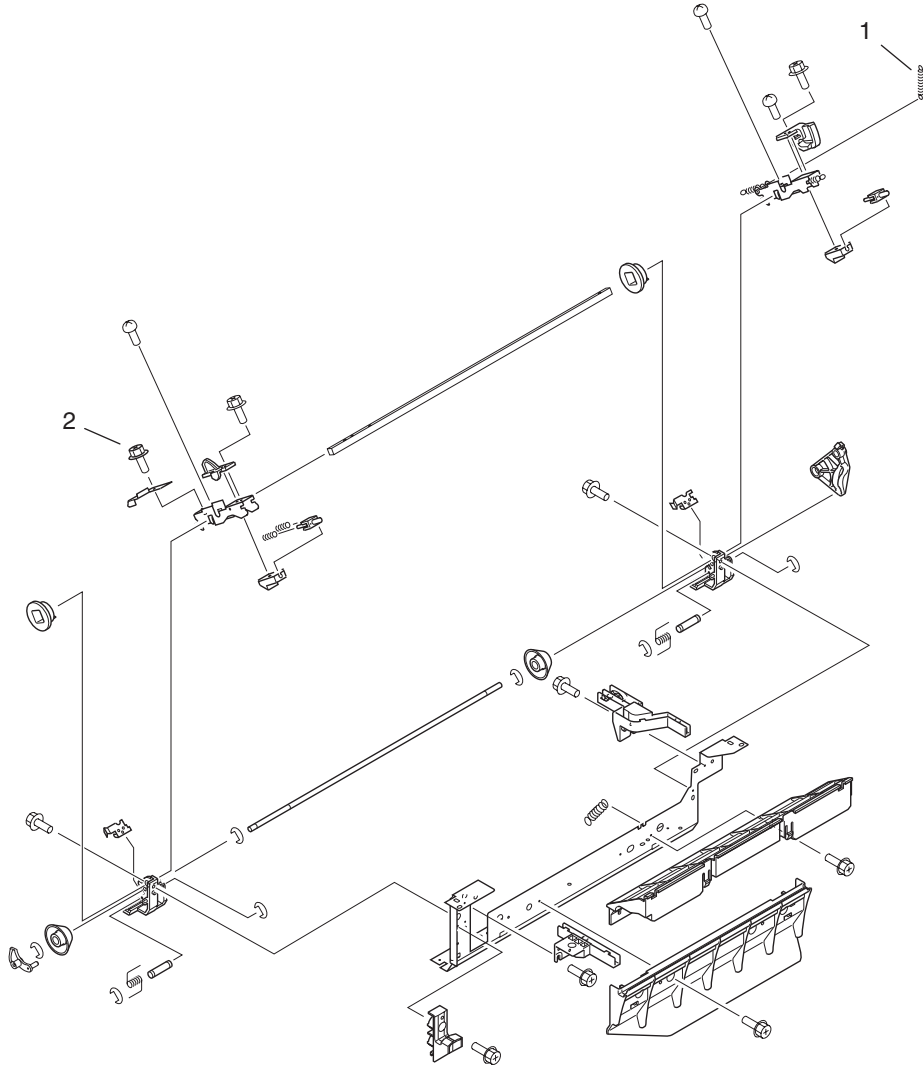


**Table 8-21 Fuser delivery drive assembly**

<b>Ref</b>	<b>Description</b>	<b>Part number</b>	<b>Qty</b>
Entire assembly	Fuser delivery drive assembly	RG5-7789-050CN	1
1	Screw, M3x6, RS	XA9-1495-000CN	
2	Lever, switch	RB2-6077-000CN	1
3	Motor, DC, 24V (M1)	RH7-1622-000CN	1
4	Microswitch (SW1)	WC4-5136-000CN	1

# Cartridge lifter assembly

Figure 8-24 Cartridge lifter assembly

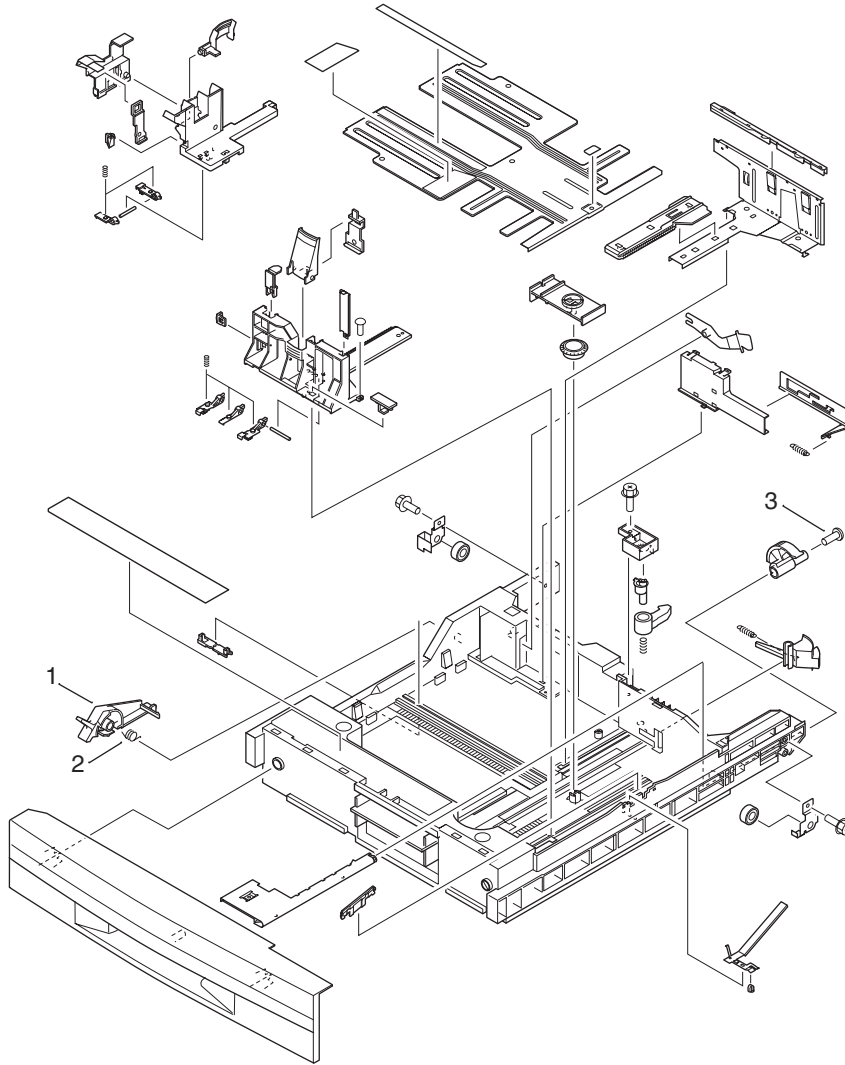


**Table 8-22 Cartridge lifter assembly**

<b>Ref</b>	<b>Description</b>	<b>Part number</b>	<b>Qty</b>
Entire assembly	Cartridge lifter assembly	RG5-5741-040CN	1
1	Spring, tension	RS6-2298-020CN	1
2	Screw, M3x6	XA9-1495-000CN	

# 500-sheet trays (Tray 2 and Tray 3)

Figure 8-25 Tray 2 or Tray 3 parts



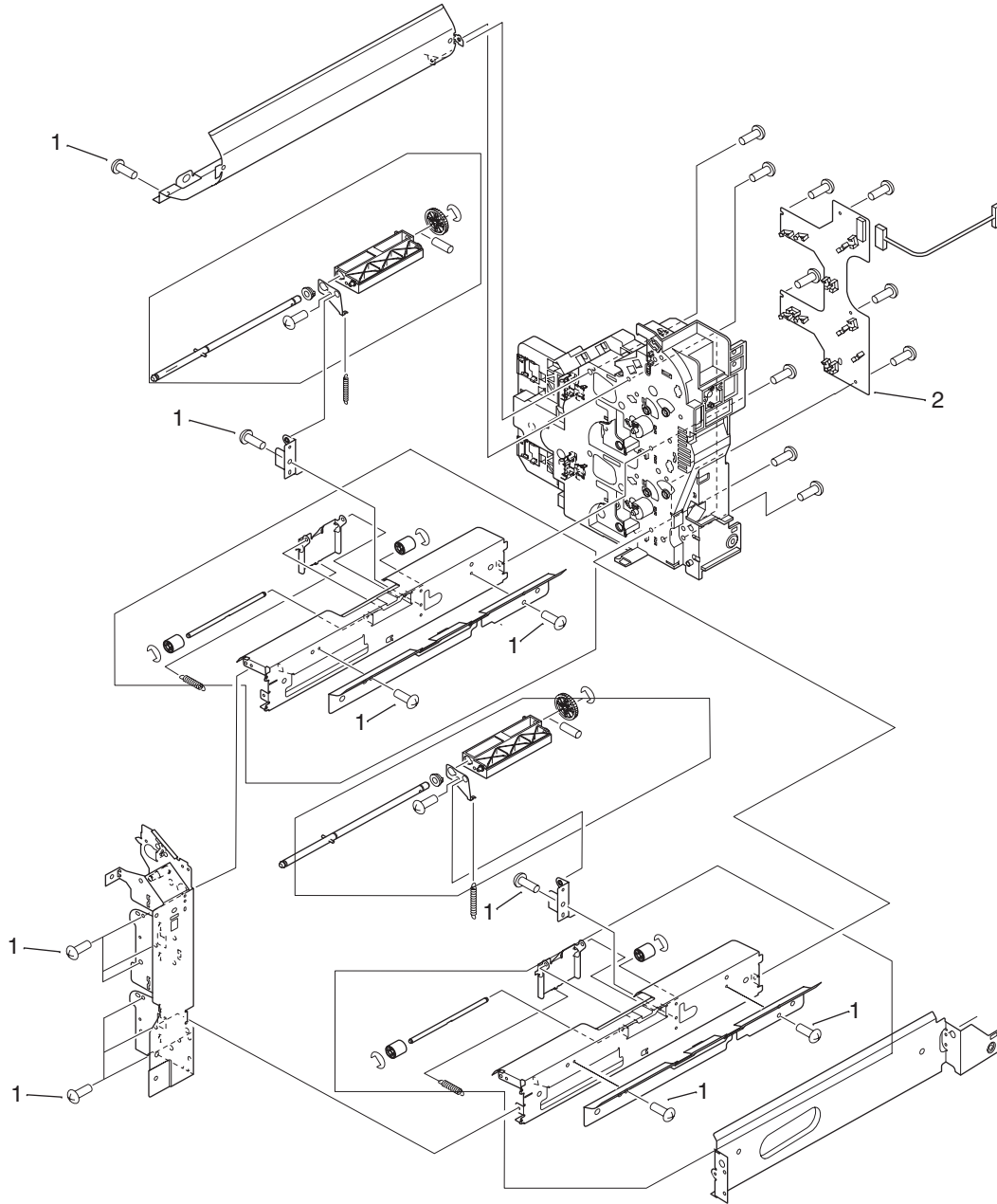


**Table 8-23 Tray 2 or Tray 3 parts**

<b>Ref</b>	<b>Description</b>	<b>Part number</b>	<b>Qty</b>
Entire assembly	500-sheet trays	RG5-5635-110CN	1
1	Custom/standard switch	RB2-5813-000CN	1
2	Spring, torsion	RB2-5816-000CN	1
3	Screw, W/W, M3x29.5	XA9-1466-000CN	

# Paper input unit

Figure 8-26 Paper input unit

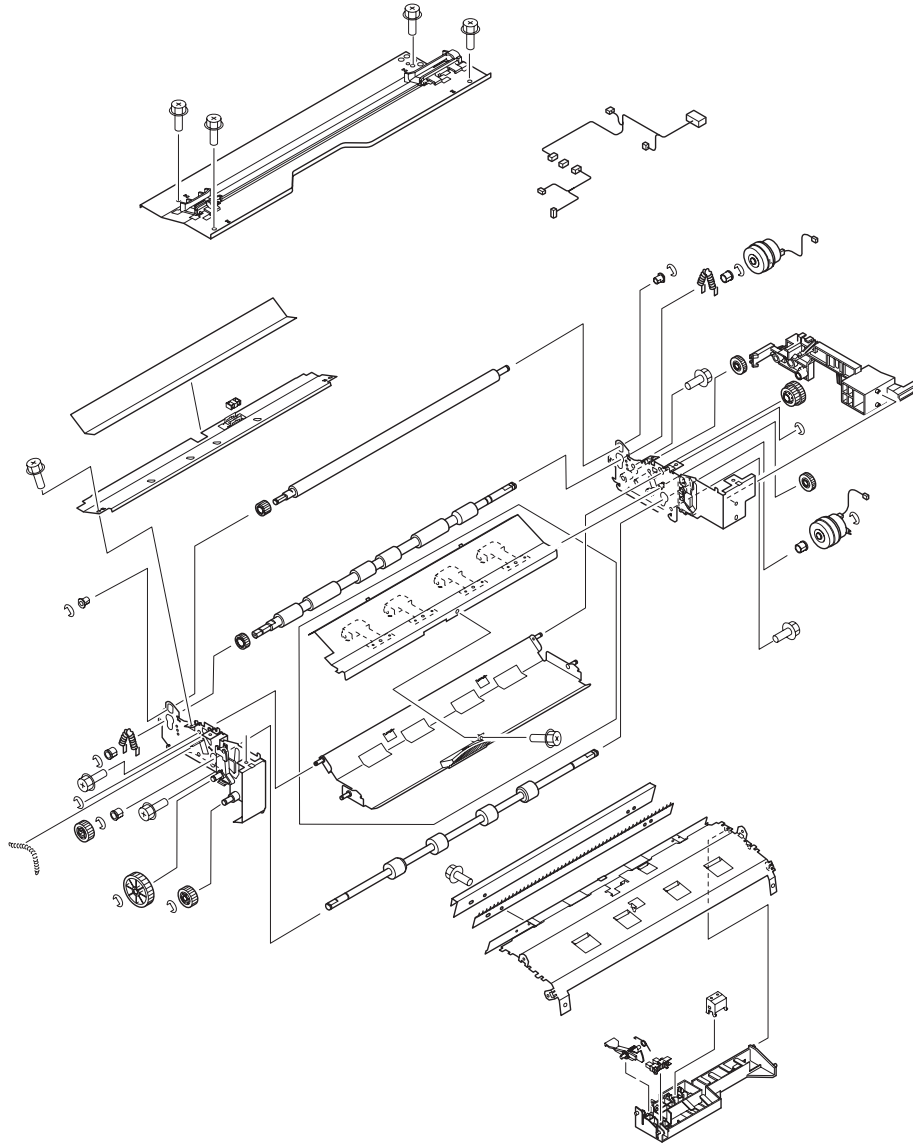


**Table 8-24 Paper input unit**

<b>Ref</b>	<b>Description</b>	<b>Part number</b>	<b>Qty</b>
Entire assembly	Paper input unit	RG5-5681-090CN	1
1	Screw, M3x6, RS	XA9-1495-000CN	
2	Paper pickup PCA	RG5-7896-000CN	1

# Registration assembly

Figure 8-27 Registration assembly

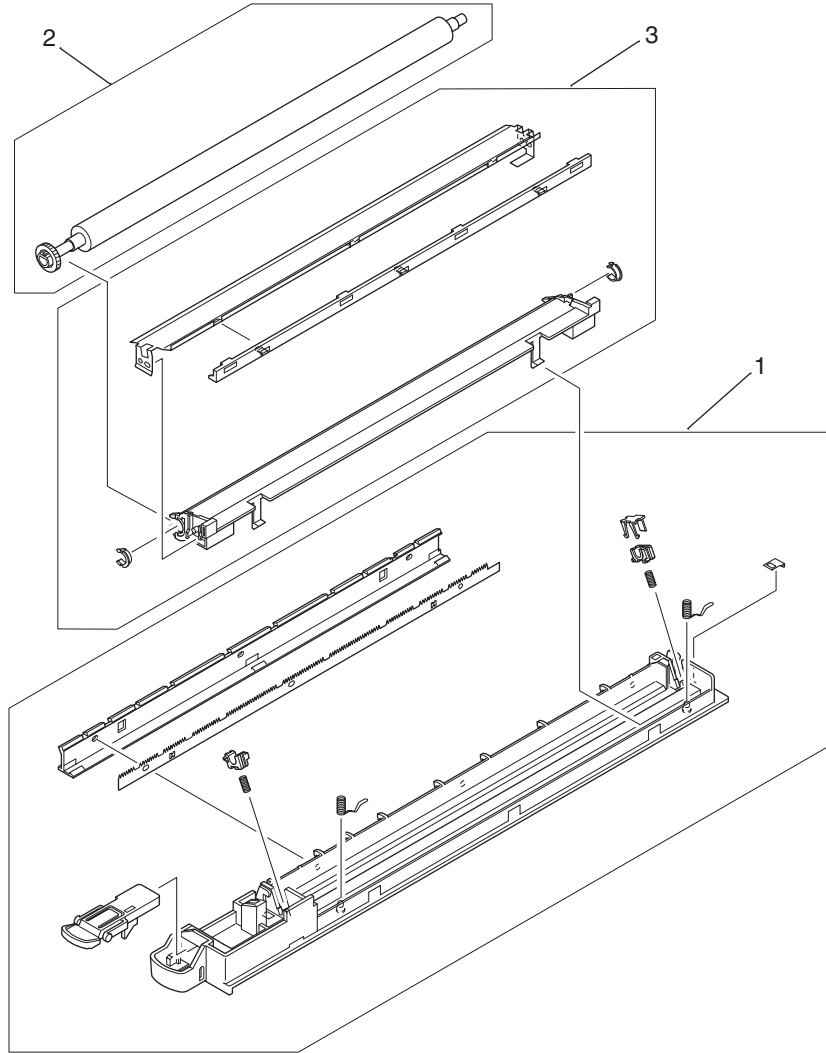


**Table 8-25 Registration assembly**

<b>Ref</b>	<b>Description</b>	<b>Part number</b>	<b>Qty</b>
Entire assembly	Registration assembly	RG5-5663-060CN	1

# Transfer roller assembly

Figure 8-28 Transfer roller assembly

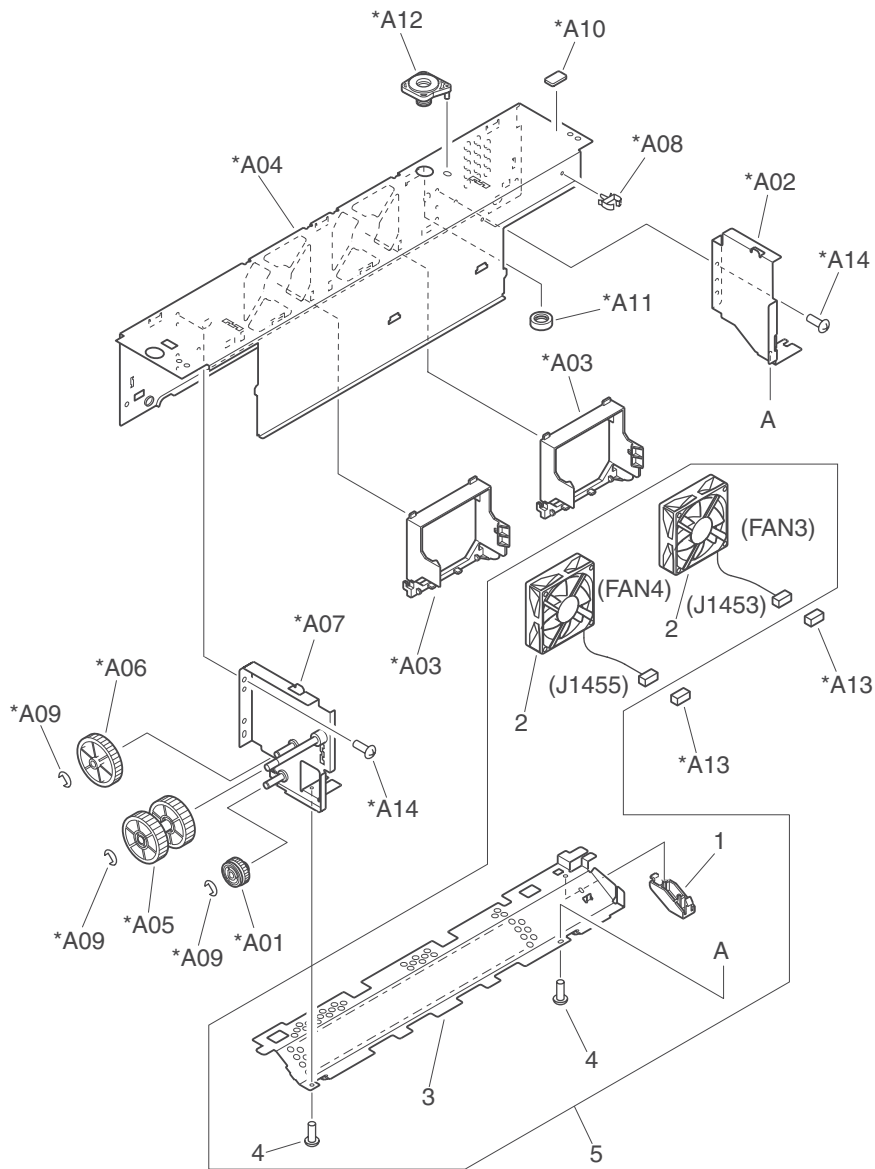


**Table 8-26 Transfer roller assembly**

<b>Ref</b>	<b>Description</b>	<b>Part number</b>	<b>Qty</b>
Entire assembly	Transfer roller assembly	RG5-5662-050CN	1
1	Holder, transfer	RG5-5653-030CN	1
2	Roller, transfer	RF5-3319-000CN	1
3	Guide, transfer/pre-transfer	RG5-5654-000CN	1

# Delivery assembly

Figure 8-29 Delivery assembly



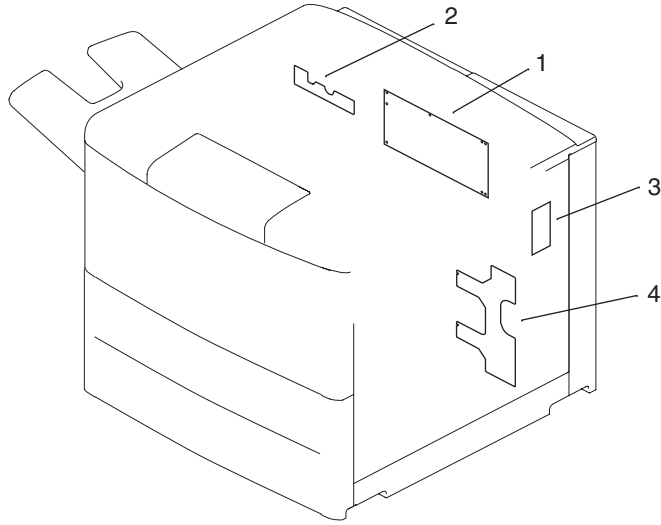


**Table 8-27 Delivery assembly**

Ref	Description	Part number	Qty
Entire assembly	Delivery assembly	RG5-5642-040CN	1
1	Flapper can	RB2-6494-000CN	1
2	Fan	RH7-1658-000CN	2
3	Fan cover	RB2-6490-000CN	1
4	M3x6 RS screw	XA9-1500-000CN	2
5	Left cross member assembly	RG5-5641-000CN	1
A01	29T gear	Not orderable	1
A02	Face down frame	Not orderable	1
A03	Fan holder	Not orderable	2
A04	Left upper cross member	Not orderable	1
A05	55T gear	Not orderable	1
A06	57T gear	Not orderable	1
A07	Drive plate	Not orderable	1
A08	Cable clip	Not orderable	2
A09	E ring	Not orderable	3
A10	B damper	Not orderable	1
A11	Spacer	Not orderable	1
A12	Upper spacer	Not orderable	1
A13	3P connector	Not orderable	2
A14	M3x6 RS screw	Not orderable	4

# PCA locations

Figure 8-30 PCA locations

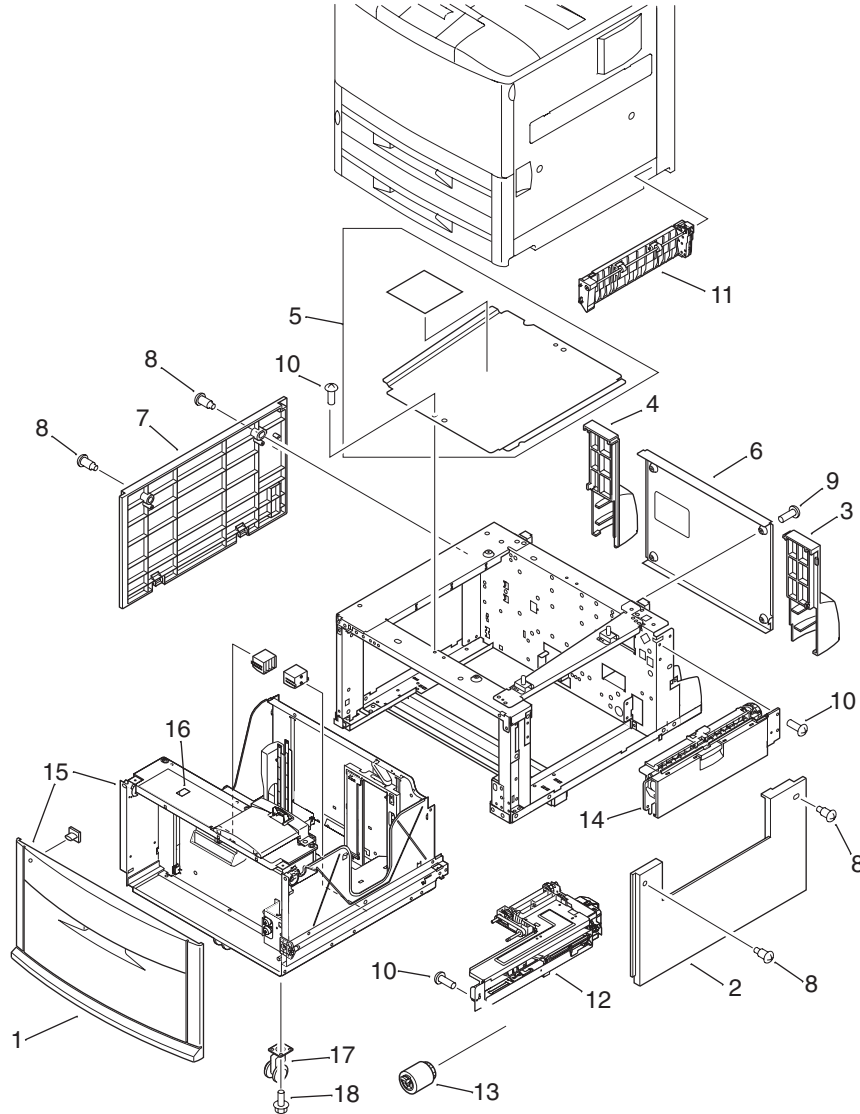


**Table 8-28 PCA locations**

<b>Ref</b>	<b>Description</b>	<b>Part number</b>	<b>Qty</b>
1	DC controller PCA	RG5-7780-060CN	1
2	Delivery PCA	RG5-8013-000CN	1
3	Print cartridge memory controller PCA	RG5-8009-000CN	1
4	Paper pickup (PIU) PCA	RG5-7896-000CN	1

# Tray 4 main body

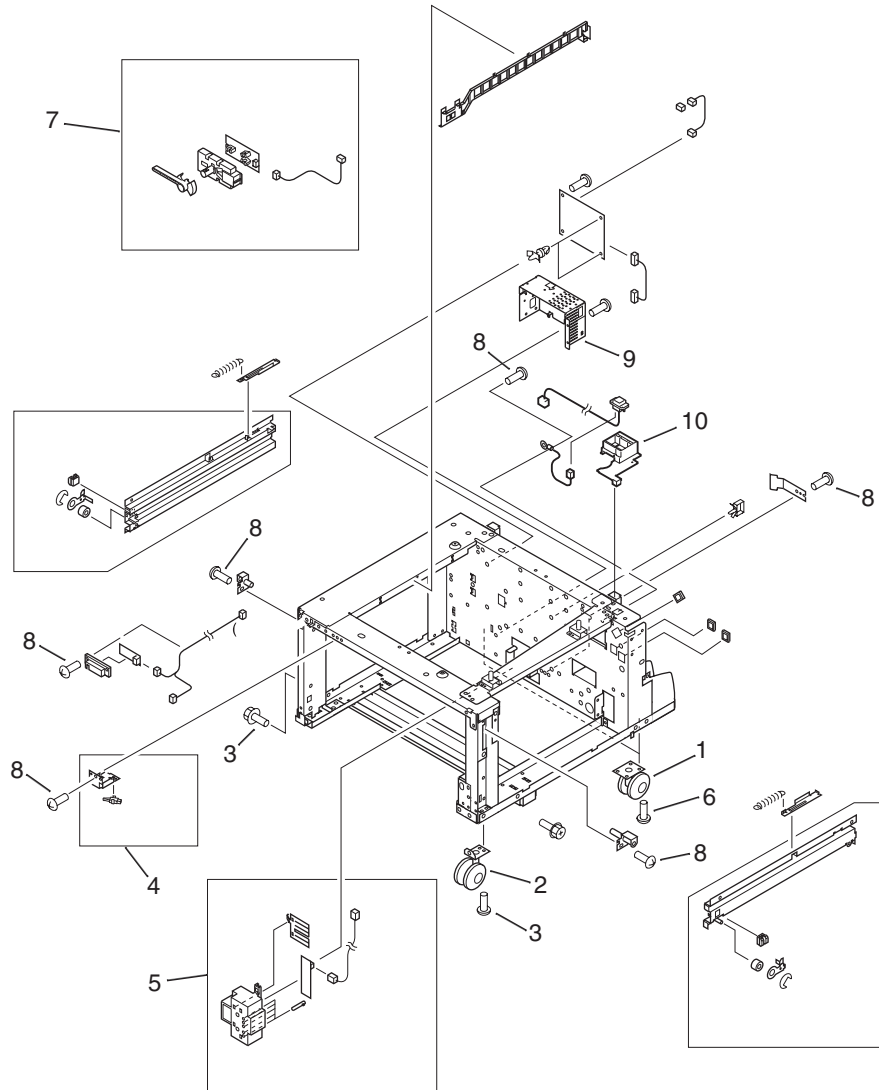
Figure 8-31 Tray 4 main body (1 of 2)



**Table 8-29 Tray 4 main body (1 of 2)**

Ref	Description	Part number	Qty
1	Cover, front	RB2-7648-040CN	1
2	Cover, right	RB2-7649-000CN	1
3	Cover, right back	RB2-7650-000CN	1
4	Cover, left back	RB2-7651-000CN	1
5	Cover, center	RB2-7652-000CN	1
6	Cover, back	RF5-3644-020CN	1
7	Cover, left	RF5-3645-000CN	1
8	Screw, stepped	RS5-9099-000CN	6
9	Screw, W/W, M4x6	XA9-0499-000CN	7
10	Screw, M4x6	XB6-7400-000CN	
11	Paper path connection unit (PPCU)	RG5-6227-040CN	1
12	Paper input unit (PIU)	RG5-6208-180CN	1
13	Feed/separation rollers	RF5-3338-000CN	3
14	Tray 4 vertical registration assembly (VTU/ VRA)	RG5-6225-100CN	1
15	Tray 4	C8531-67908	1
16	Lever, standard/custom	RB2-7762-020CN	1
17	Caster	RB2-7709-020CN	2
18	Screw, M4x8	XA9-1300-000CN	7
N/A	Tray 4-to-engine stabilizing screws	0515-4318	2

Figure 8-32 Tray 4 main body (2 of 2)

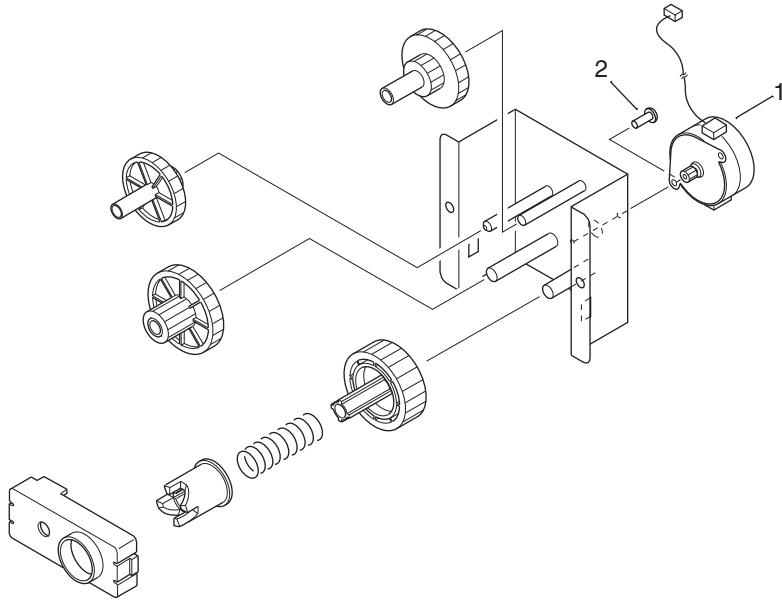


**Table 8-30 Tray 4 main body (2 of 2)**

Ref	Description	Part number	Qty
1	Caster, back	RB2-7678-030CN	2
1	Caster, front swivel	RB3-0304-050CN	2
3	Screw, M5x12	XA9-0912-000CN	14
4	Switch assembly (SW21)	RG5-6206-030CN	1
5	Paper size sensing assembly	RG5-6207-060CN	1
6	Screw, M4x8, RS	XA9-0732-000CN	4
7	Paper volume sensing assembly	RG5-6229-040CN	1
8	Screw, M4x6	XA9-0994-000CN	12
9	Power supply	RG5-6250-040CN	1
10	Jet-Link cable holder assembly (see 10a, 10b, and 10c)	N/A	
10a	Holder	RB2-7662-020CN	
10b	Cable assembly	RG5-6240-020CN	
10c	Grounding cable	RG5-6249-000CN	

# Tray 4 drive assembly

Figure 8-33 Tray 4 drive assembly



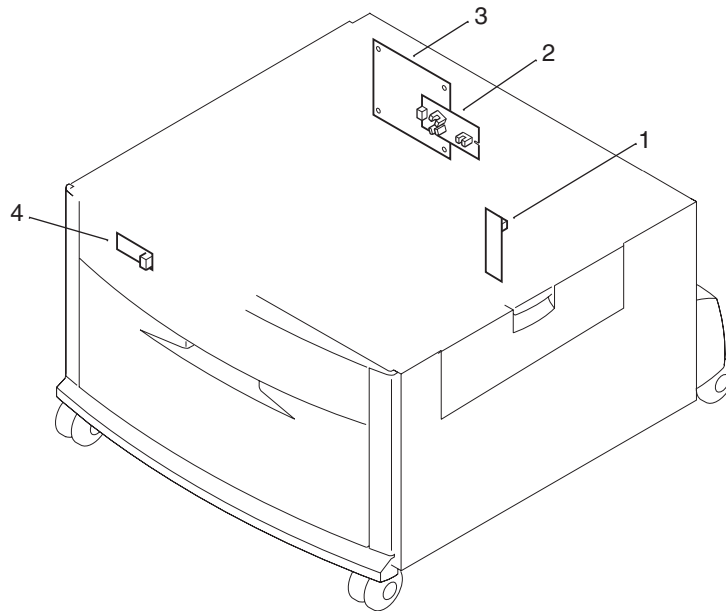


**Table 8-31 Tray 4 drive assembly**

<b>Ref</b>	<b>Description</b>	<b>Part number</b>	<b>Qty</b>
Entire assembly	Tray 4 deck drive assembly	RG5-6228-060CN	1
1	Motor	RH7-1481-020CN	1
2	Screw, M3x6 with washer	XB2-6300-180CN	2

## Tray 4 PCA location

Figure 8-34 Tray 4 PCA location

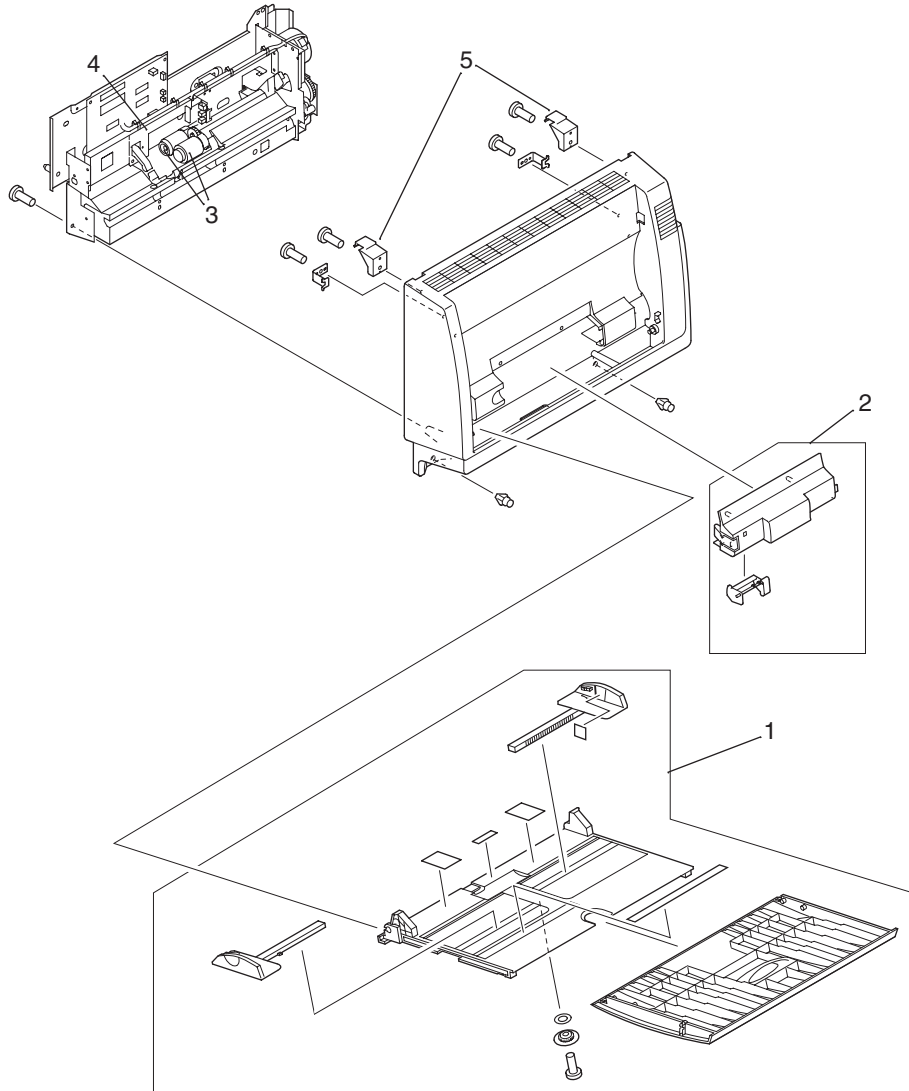


**Table 8-32 Tray 4 PCA location**

<b>Ref</b>	<b>Description</b>	<b>Part number</b>	<b>Qty</b>
1	Paper size PCA	RG5-6238-020CN	1
2	Paper volume PCA	RG5-6237-020CN	1
3	Deck controller PCA	RG5-6235-150CN	1
4	LED PCA	RG5-6239-020CN	1

# Tray 1 assembly

Figure 8-35 Tray 1 assembly



**Table 8-33 Tray 1 assembly**

<b>Ref</b>	<b>Description</b>	<b>Part number</b>	<b>Qty</b>
Entire assembly	Tray 1	C8568-67902	1
1	Tray assembly	RG5-5809-060CN	1
2	Service cover assembly	RG5-5811-040CN	1
3	Roller, pickup	RF5-3403-000CN	1
4	Roller, separation	RF5-3404-000CN	2
5	Cover hooks	RB2-6537-000CN	2