


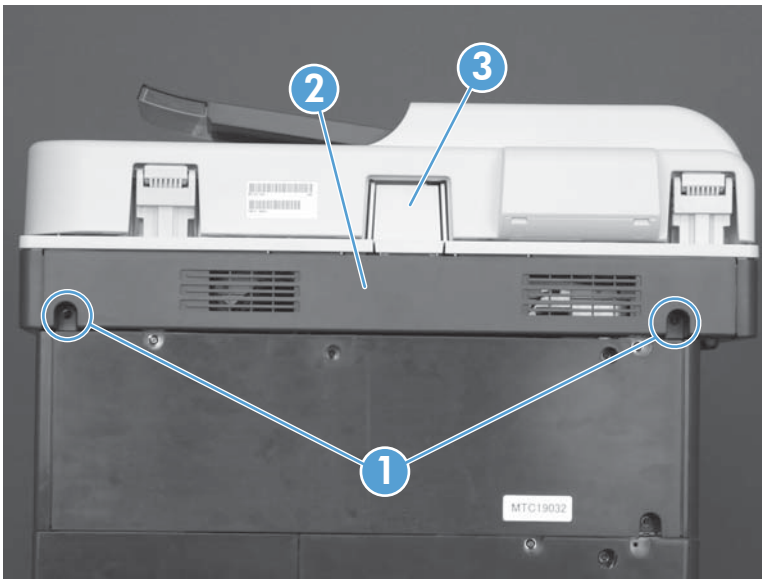
# Document feeder

 **NOTE:** For information about replacing the document feeder pickup and feed rollers, and the document feeder separation pad, see [Pickup rollers on page 5](#) and [Separation pads and rollers on page 15](#).


## Document feeder assembly

1. On the scanner back cover, remove two screws (callout 1), and remove the scanner back cover (callout 2) and the document feeder cable cover (callout 3) from the product.

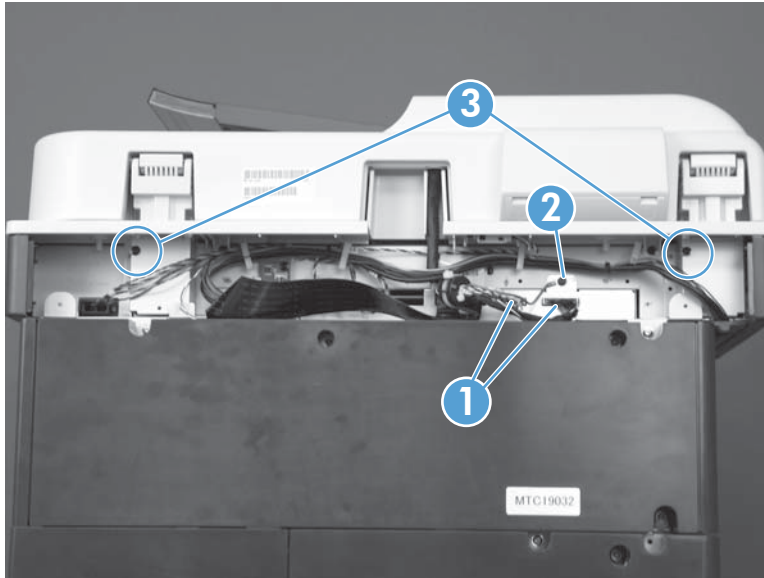
**Figure 1-293** Remove the document feeder (1 of 3)



2. Disconnect two connectors (callout 1), remove the ground-wire screw (callout 2), and then remove two screws (callout 3) in the hinge housings.

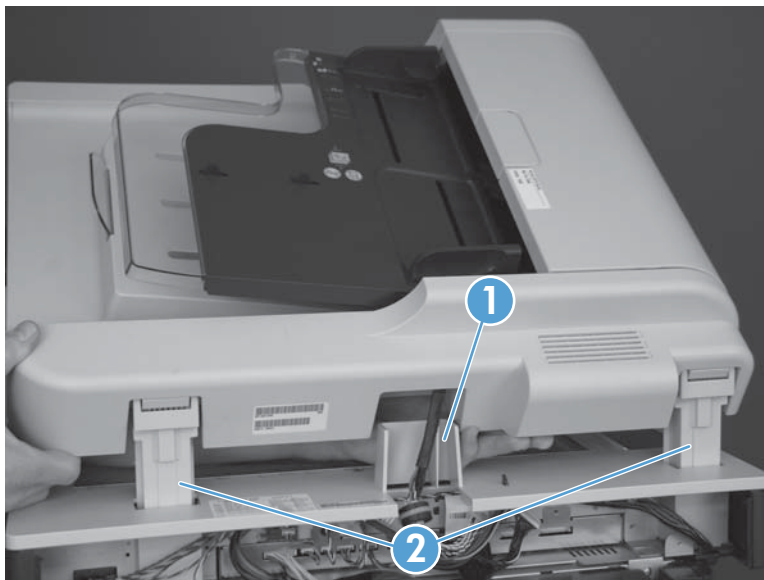
 **NOTE:** The housing screws (callout 3) are noticeably longer than most screws in the product. Remember to use these longer screws in the hinge housings when you are reinstalling the document feeder.

**Figure 1-294** Remove the document feeder (2 of 3)



3. Release the document feeder cables from the cable channel (callout 1), fully open the document feeder assembly up to disengage the hinge pins (callout 2), and then remove the document feeder from the scanner assembly.

**Figure 1-295** Remove the document feeder (3 of 3)



## Install a replacement document feeder assembly



**NOTE:** If a replacement document feeder assembly or scanner assembly is installed, you must install a replacement foam reflector on the document feeder. See [Document feeder foam reflector on page 221](#).


---

If a replacement document feeder assembly is installed, do the following:

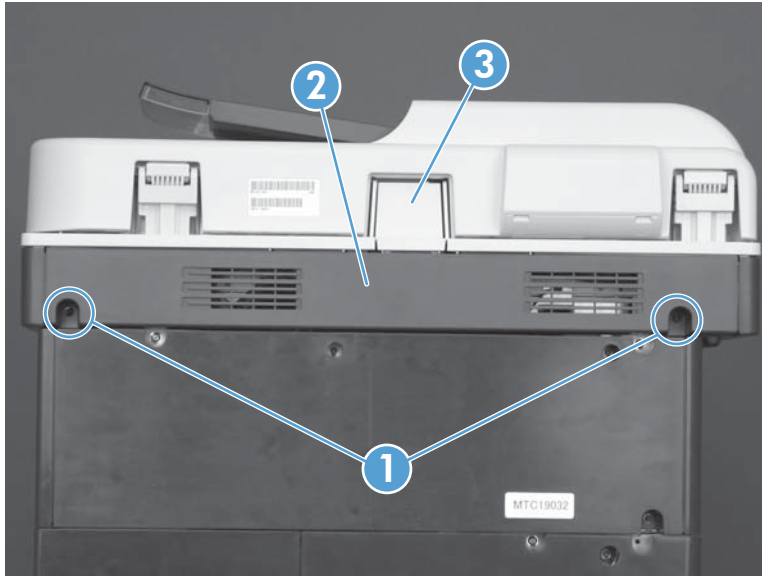
1. From the Home screen on the control panel, scroll to and touch the [Device Maintenance](#) button.
  2. Open the [Service](#) menu.
  3. On the sign-in screen, select the [Service Access Code](#) option from the drop-down list.
  4. Type the following service access code for this product: 05072513.
  5. Touch the [Cycle Counts](#) item, and then reset the following values to zero:
    - [Document Feeder Kit Count](#)
    - [ADF Count](#)
    - [Clean Roller Count](#)
- 
1. From the Home screen on the control panel, scroll to and touch the [Device Maintenance](#) button.
  2. Touch the [Calibration/Cleaning](#) item.
  3. Touch the [Calibration](#) item.
  4. Follow the instructions on the control panel to calibrate the product.

## Document feeder cable cover

- ▲ Remove two screws (callout 1), and then remove the scanner rear cover (callout 2) and document feeder cable cover (callout 3).

 **NOTE:** The cable cover (callout 3) is attached to the back cover, but not captive when the cover is removed and can be easily dislodged.

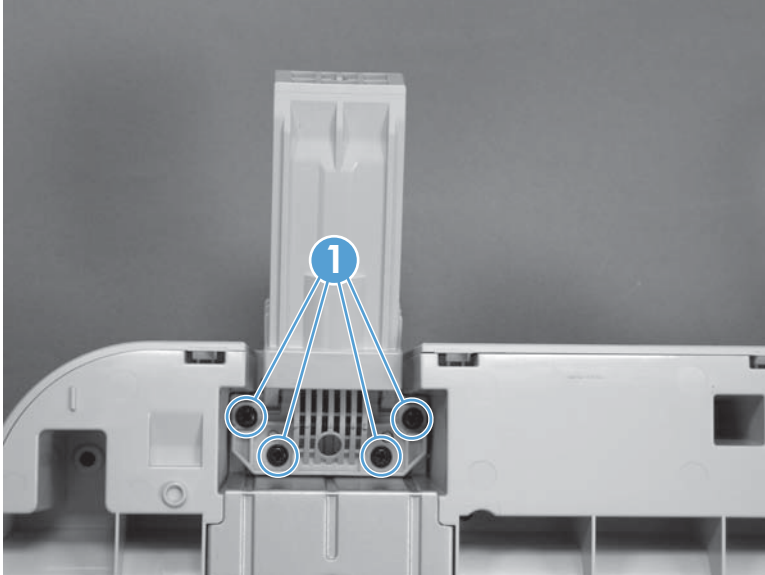
**Figure 1-296** Remove the document feeder cable cover



## Document feeder hinge

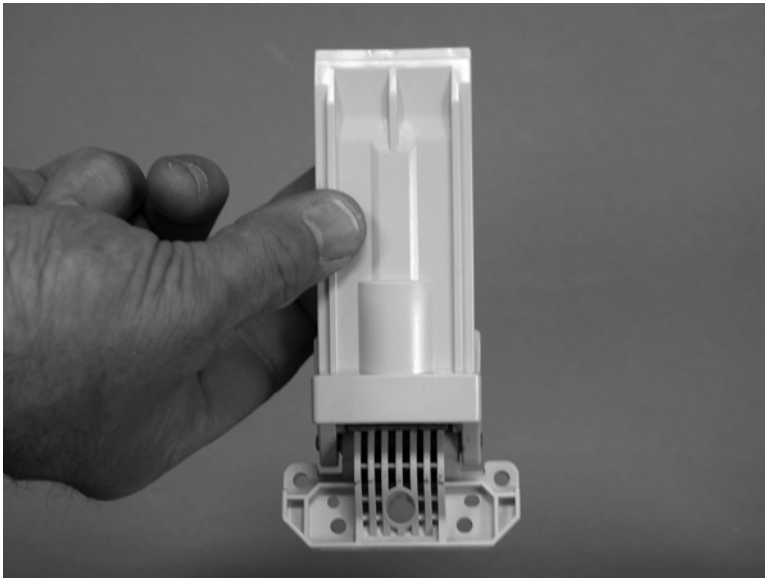
1. Remove the document feeder assembly. See [Document feeder assembly on page 214](#).
2. Turn the document feeder upside down, and then remove four screws (callout 1).

**Figure 1-297** Remove the document feeder hinge (1 of 2)




3. Remove the right or left hinge.

**Figure 1-298** Remove the document feeder hinge (2 of 2)

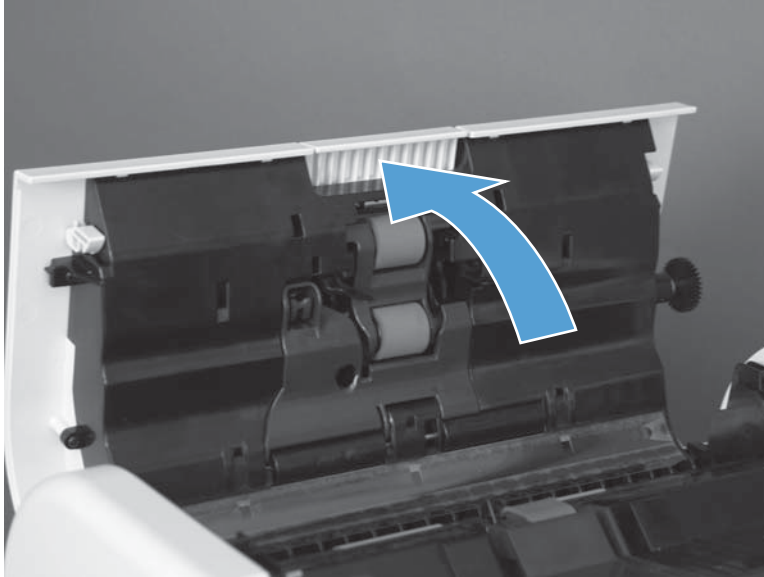


## Document feeder mylar strips

 **TIP:** Before removing the mylar strips, take note of how they are positioned on the document jam access door and the inside bottom edge of the document feeder cover.

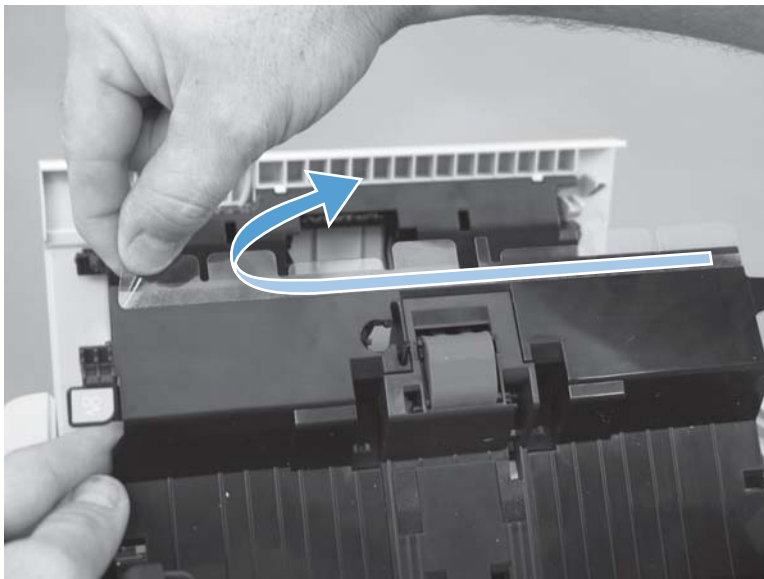
1. Open the document feeder cover.

**Figure 1-299** Remove the document feeder mylar strips (1 of 3)



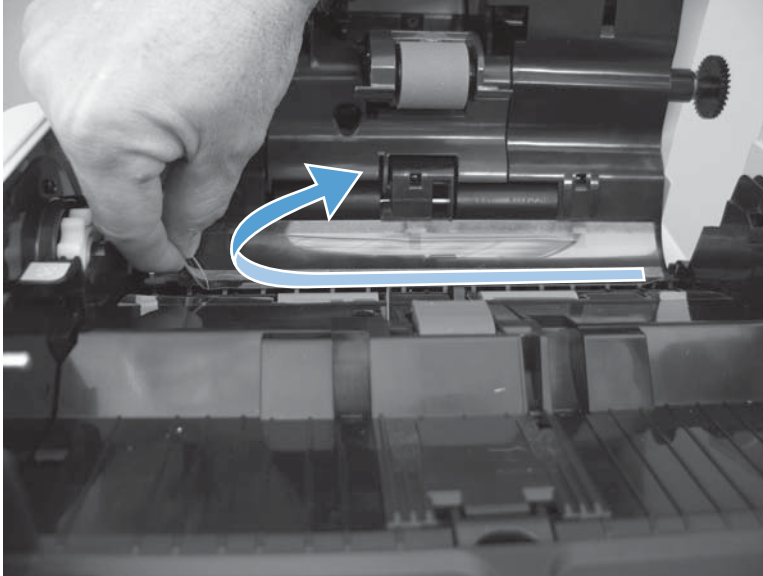
2. Lift up the jam access door, and carefully remove the mylar strip.

**Figure 1-300** Remove the document feeder mylar strips (2 of 3)



3. Carefully remove the second mylar strip located along the inside bottom edge of the document feeder jam access door.

**Figure 1-301** Remove the document feeder mylar strips (3 of 3)



## Install replacement document feeder mylar strips

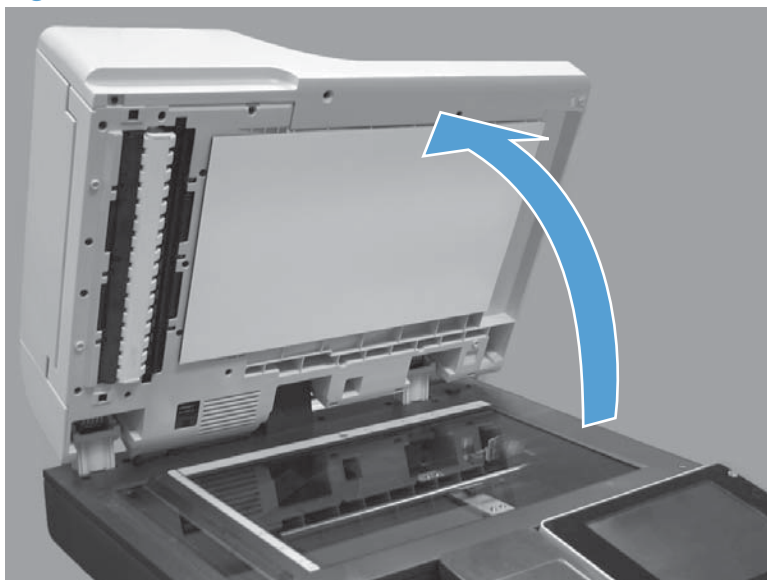
Use the following guidelines when you install the replacement mylar strips:

- Skin oils on the mylar strips can cause paper pickup problems. Wash your hands before handling the replacement mylar strips.
- When handling the replacement mylar strips, do not touch the adhesive portion of the strips.
- Make sure to firmly press down along the mylar strips to adhere them to the document feeder when installing them.

## Document feeder foam reflector

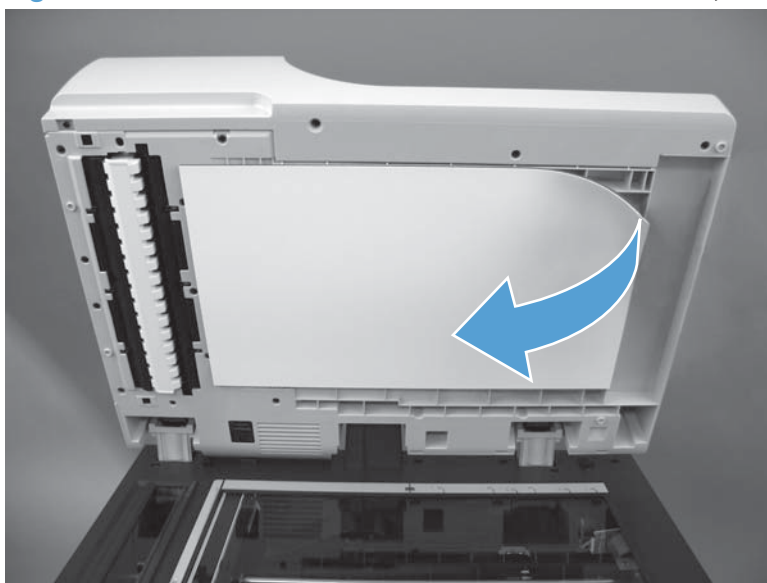
1. Open the document feeder.

**Figure 1-302** Remove the document feeder foam reflector (1 of 3)



2. Carefully remove the foam reflector.

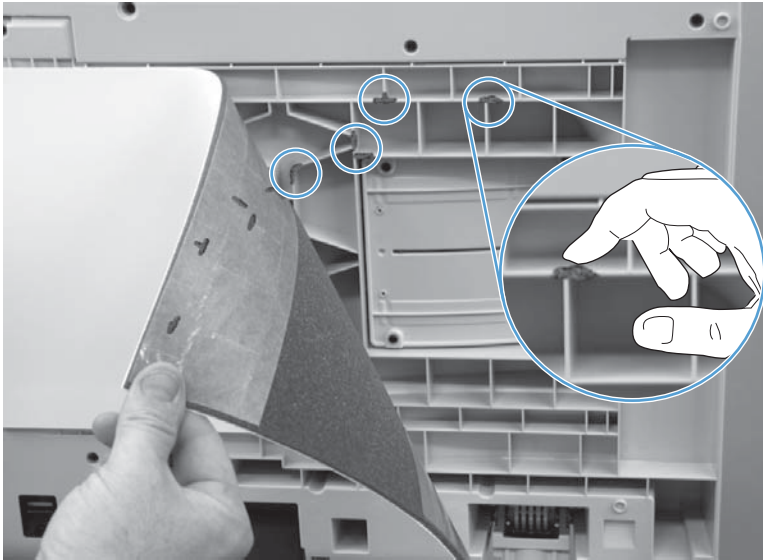
**Figure 1-303** Remove the document feeder foam reflector (2 of 3)






3. Remove any left over foam reflector adhesive material from the document feeder.

**Figure 1-304** Remove the document feeder foam reflector (3 of 3)

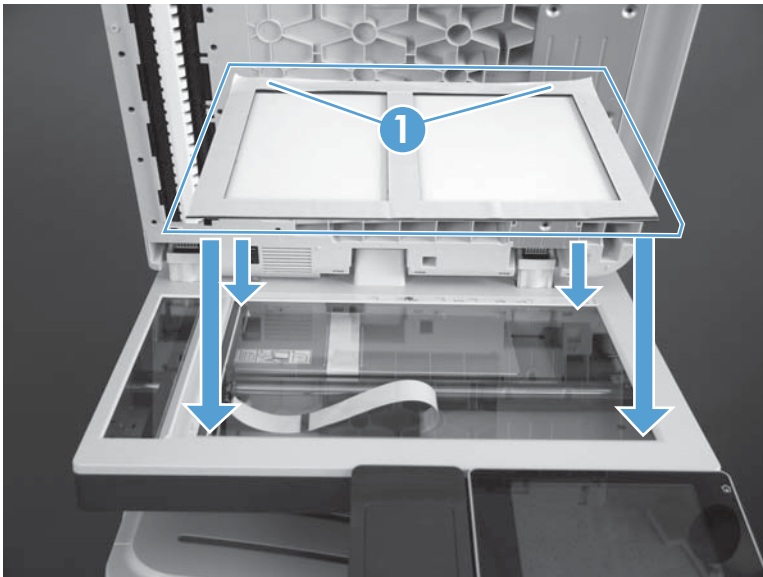


### Install a replacement document feeder foam reflector

1. Position the replacement foam reflector on the scanner glass.

 **NOTE:** One long edge of the foam backing does not have adhesive tape (callout 1). Make sure that this edge is closest to the hinge side of the glass when positioning the foam on the glass.

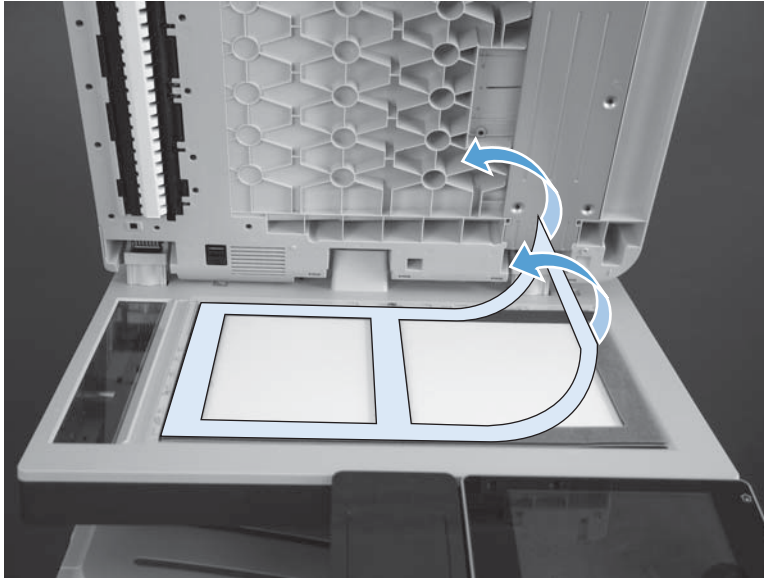
**Figure 1-305** Install a replacement document feeder foam reflector (1 of 8)



- Carefully remove the protective backing from the adhesive portion of the foam reflector.

**⚠ CAUTION:** Do not touch the exposed adhesive.

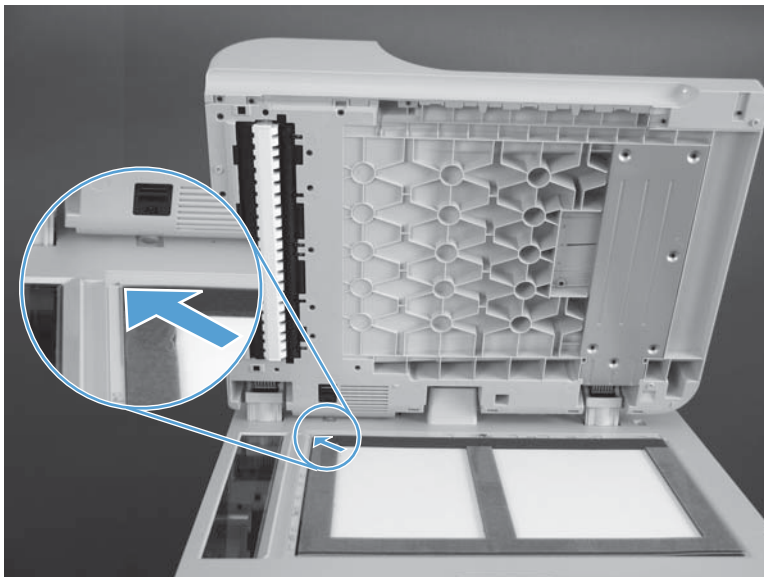
**Figure 1-306** Install a replacement document feeder foam reflector (2 of 8)



- Make sure that the foam reflector is aligned with the upper-left corner of the scanner glass.

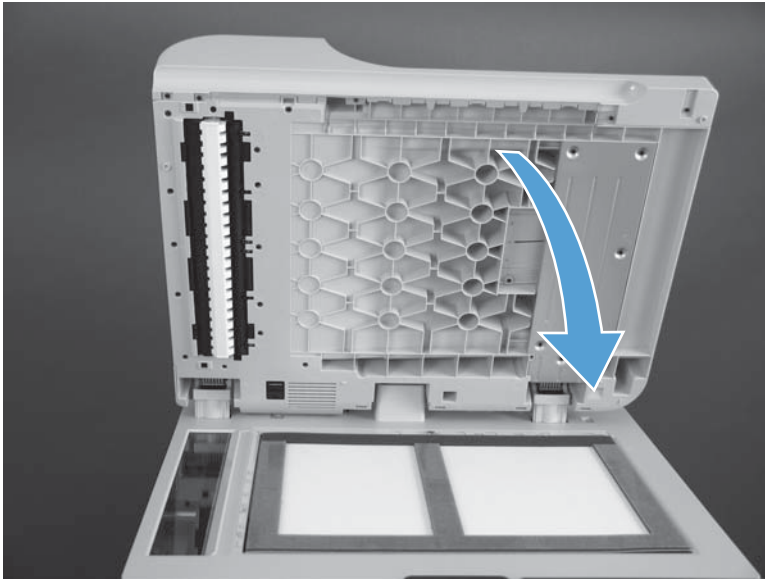
**📝 NOTE:** One long edge of the foam backing does not have adhesive tape. Make sure that this edge is closest to the hinge side of the glass when positioning the foam on the glass.

**Figure 1-307** Install a replacement document feeder foam reflector (3 of 8)



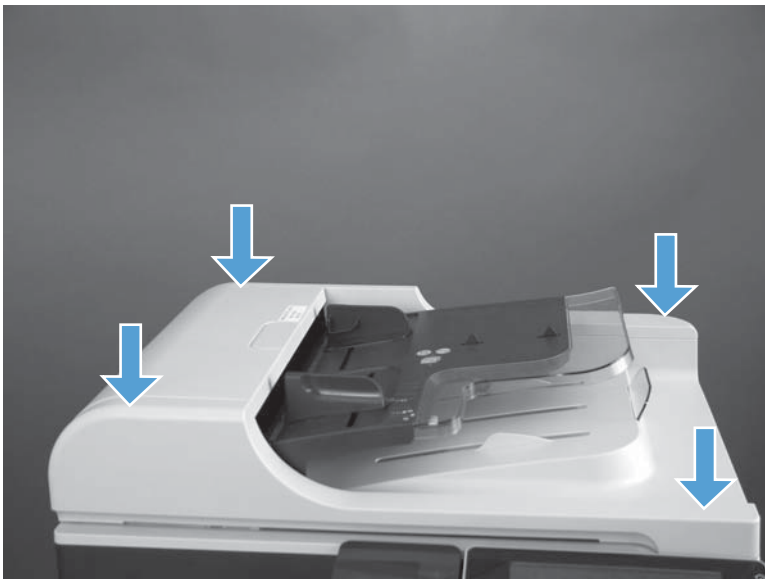
4. Completely close the document feeder.

**Figure 1-308** Install a replacement document feeder foam reflector (4 of 8)



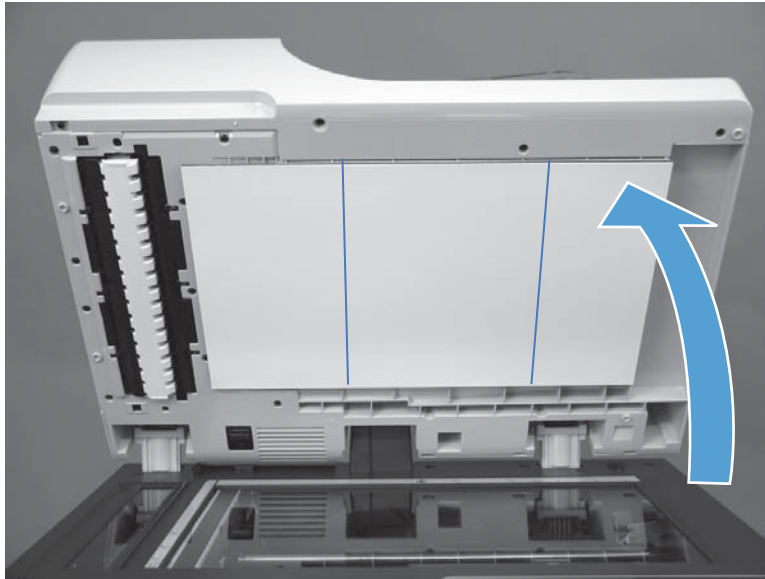
5. Firmly push down on the four corners of the document feeder to adhere the foam reflector to the document feeder.

**Figure 1-309** Install a replacement document feeder foam reflector (5 of 8)



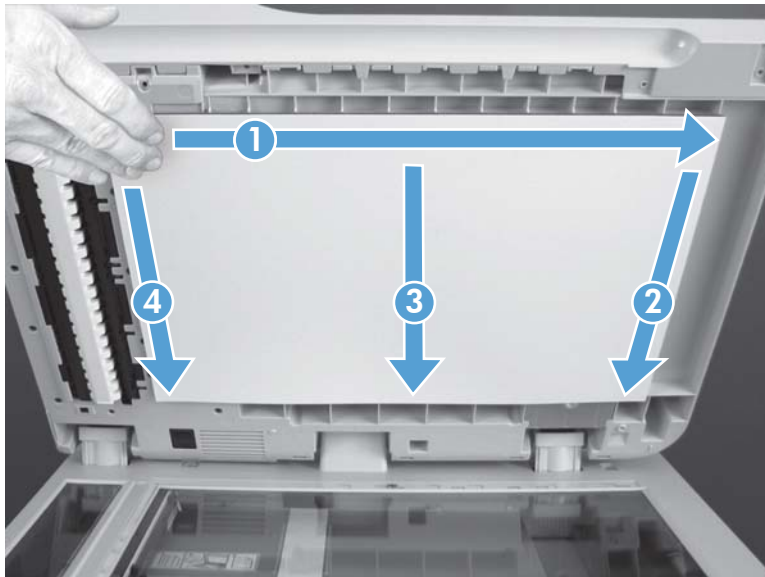
- Carefully open the document feeder.

**Figure 1-310** Install a replacement document feeder foam reflector (6 of 6)



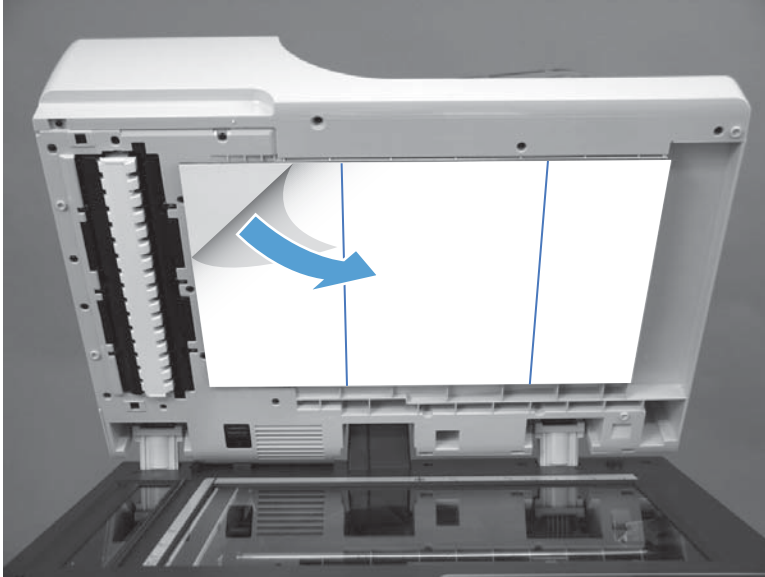
- Firmly press along the adhesive portions of the foam reflector in the order shown to adhere it to the document feeder.

**Figure 1-311** Install a replacement document feeder foam reflector (7 of 8)



- Carefully remove the protective sheet from the foam reflector.

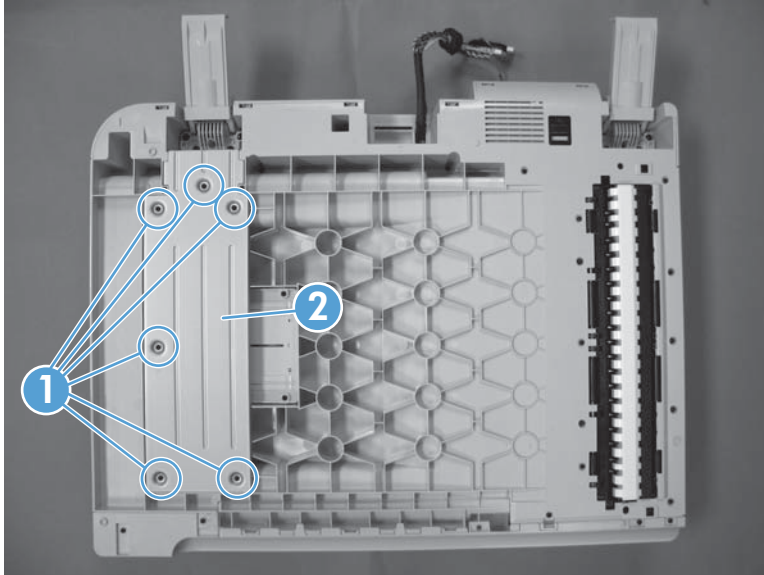
**Figure 1-312** Install a replacement document feeder foam reflector (8 of 8)



## Document feeder tray extender

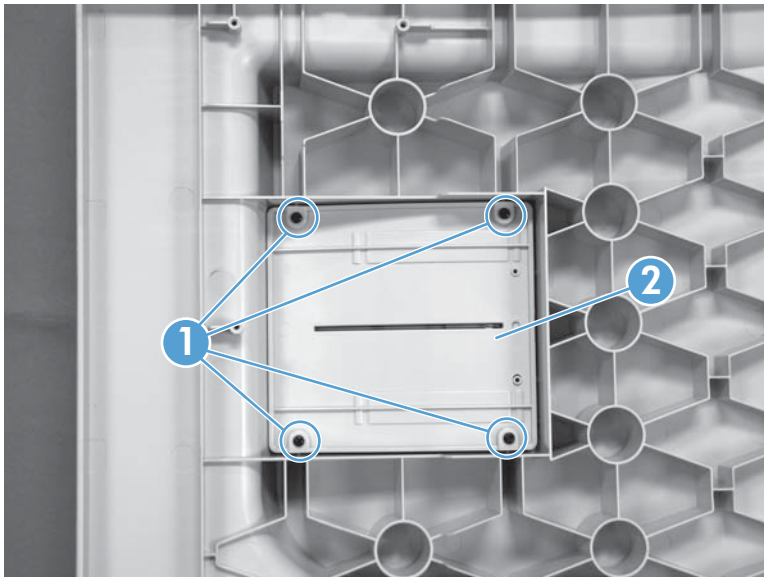
1. Remove the following components or assemblies:
  - Document feeder foam reflector. See [Document feeder foam reflector on page 221](#).
  - Document feeder. See [Document feeder assembly on page 214](#).
2. Turn the document feeder upside down, remove six screws (callout 1), and then remove the sheet metal plate (callout 2).

**Figure 1-313** Remove the document feeder tray extender (1 of 3)



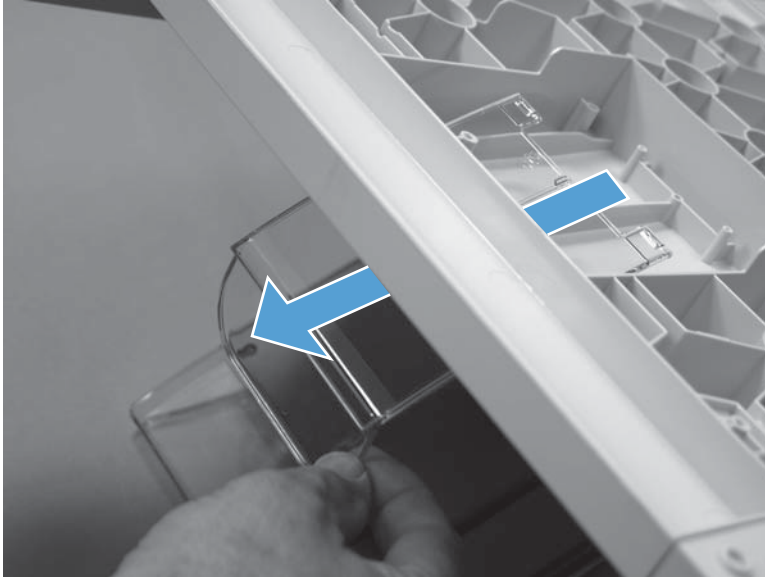
3. Remove four screws (callout 1), and then remove the cover (callout 2).

**Figure 1-314** Remove the document feeder tray extender (2 of 3)



4. Remove the tray extender.

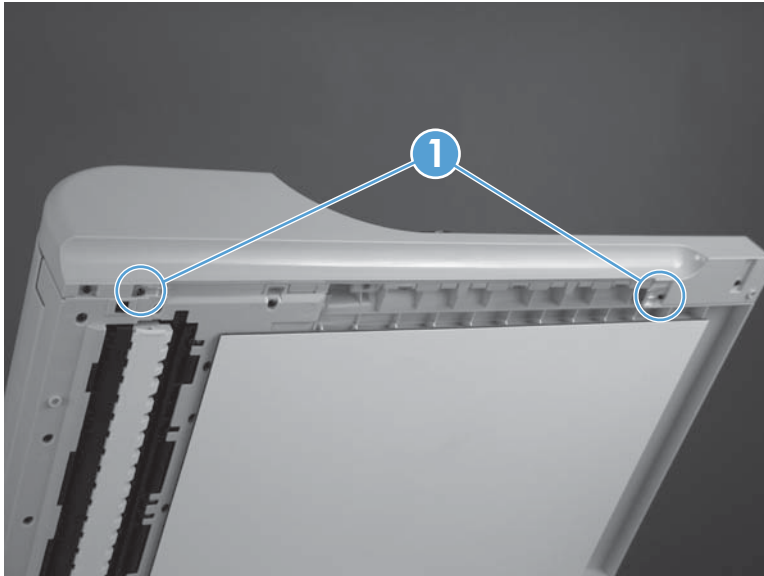
**Figure 1-315** Remove the document feeder tray extender (3 of 3)




## Document feeder front cover

1. Open the document feeder, and then remove two screws (callout 1).

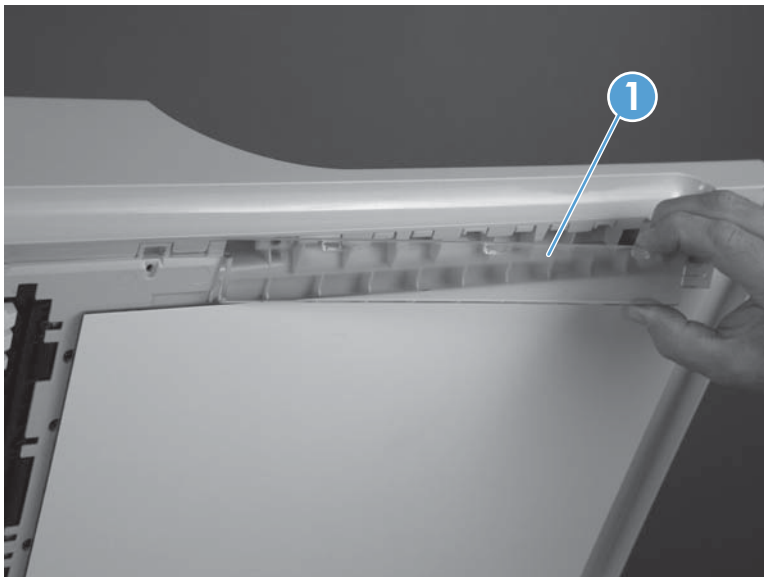
**Figure 1-316** Remove the document feeder front cover (1 of 8)



2. Carefully remove the clear-plastic reflective cover (callout 1).

 **TIP:** The cover has several press-fit tabs along its upper edge. Start at the wide end (right-hand side) of the cover and carefully release the tabs from right to left.

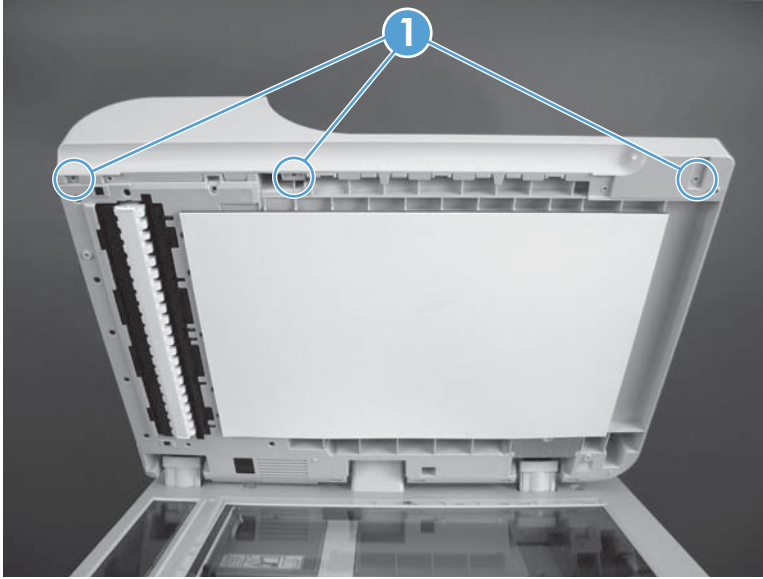
**Figure 1-317** Remove the document feeder front cover (2 of 8)






3. Remove three screws (callout 1).

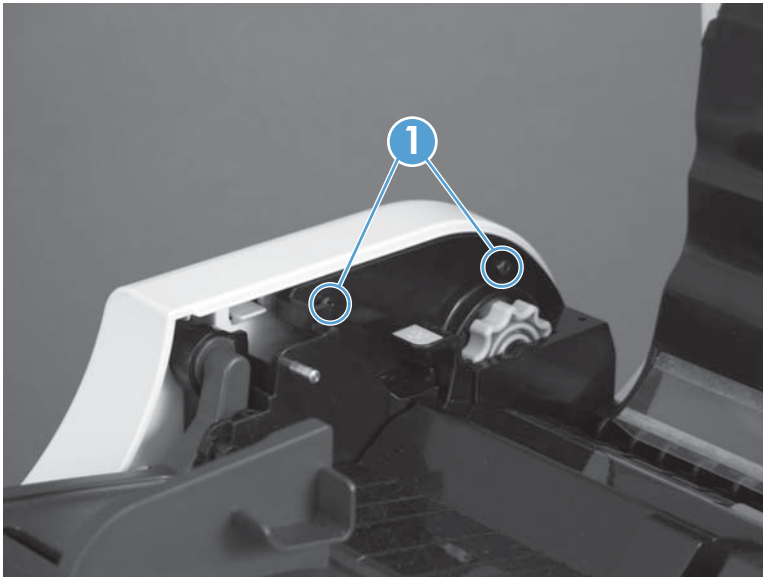
**Figure 1-318** Remove the document feeder front cover (3 of 8)



4. Open the document feeder hatch cover, and then remove two screws (callout 1).

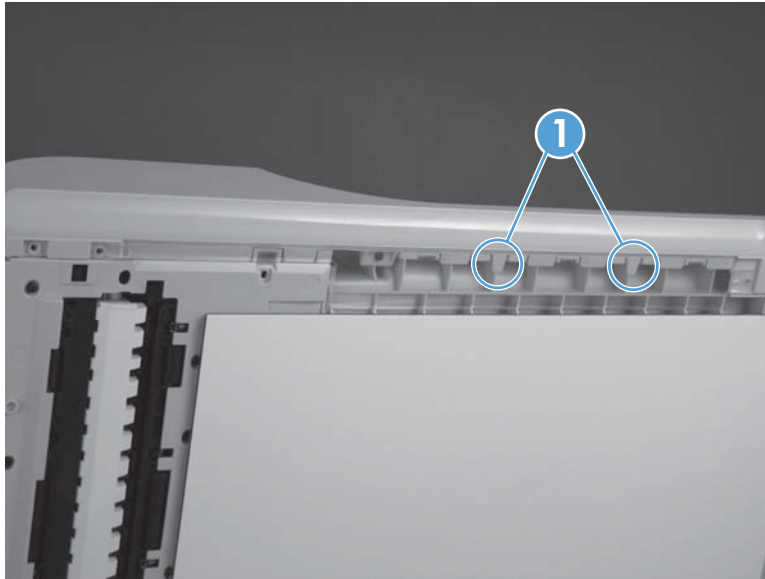
 **Reinstallation tip** These two screws are longer than the other front cover mounting screws. Make sure you replace them in the correct position when the cover is reinstalled.

**Figure 1-319** Remove the document feeder front cover (4 of 8)



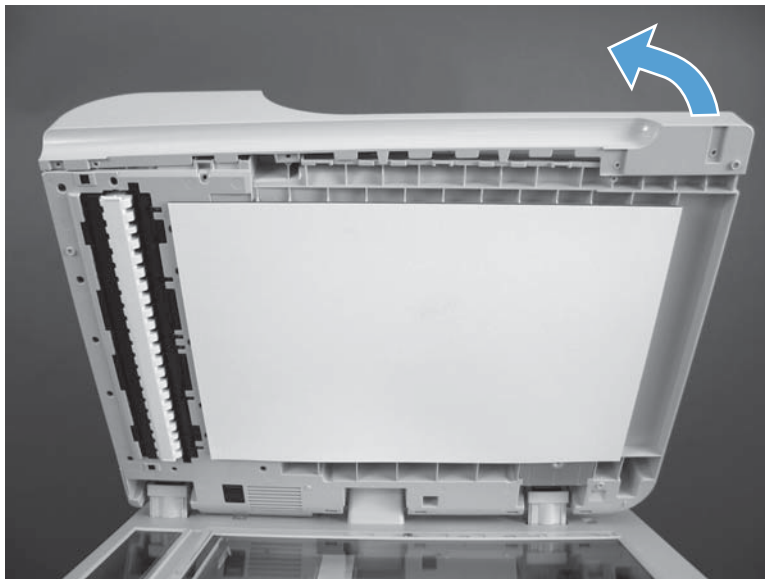
5. Release two tabs (callout 1).

**Figure 1-320** Remove the document feeder front cover (5 of 8)



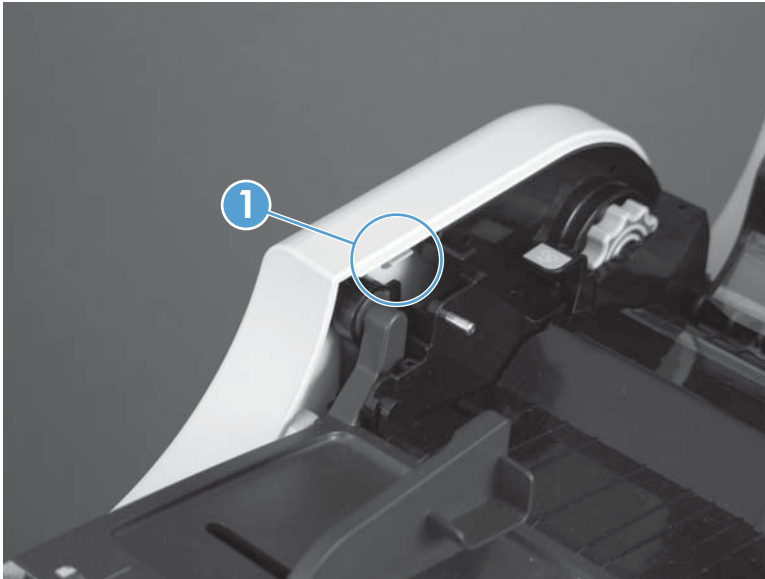
6. Carefully rotate the right-hand end of the cover up and away from the document feeder.

**Figure 1-321** Remove the document feeder front cover (6 of 8)



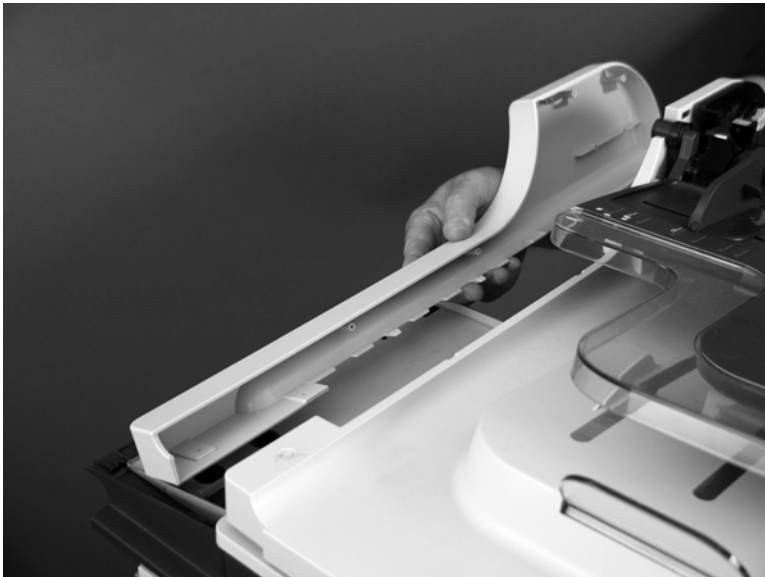
7. Release one tab (callout 1) inside of the document feeder hatch cover.

**Figure 1-322** Remove the document feeder front cover (7 of 8)




8. Remove the cover.

**Figure 1-323** Remove the document feeder front cover (8 of 8)



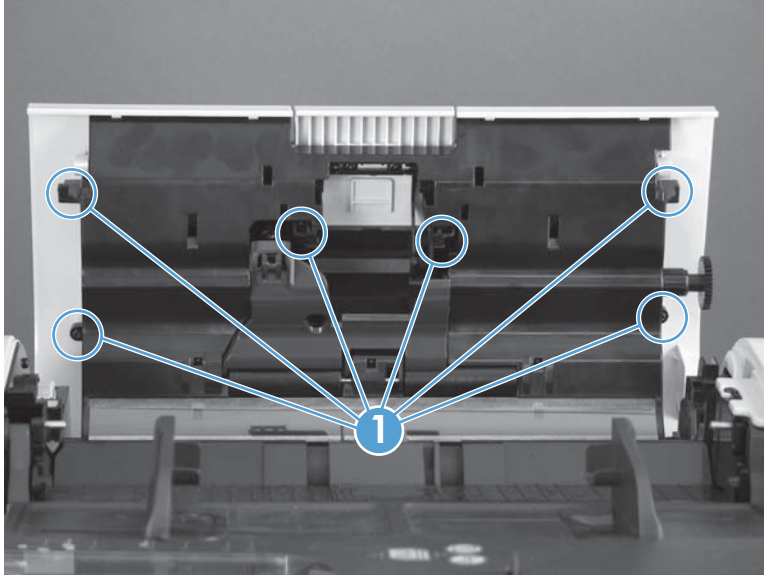
## Document feeder hatch cover

1. Remove six screws (callout 1).

 **TIP:** It might be easier to remove these screws with a short-shaft screwdriver.

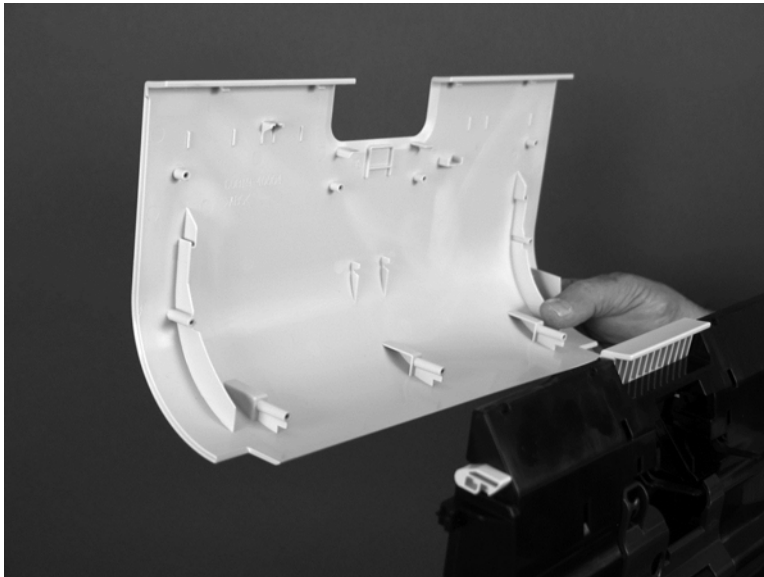
---

**Figure 1-324** Remove the document feeder hatch cover (1 of 2)



2. Remove the hatch cover.

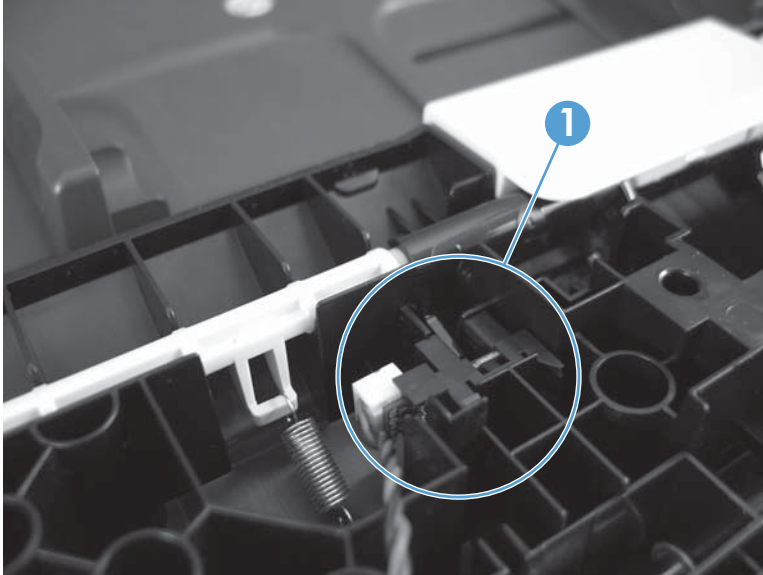
**Figure 1-325** Remove the document feeder hatch cover (2 of 2)



## Document feeder paper present sensor

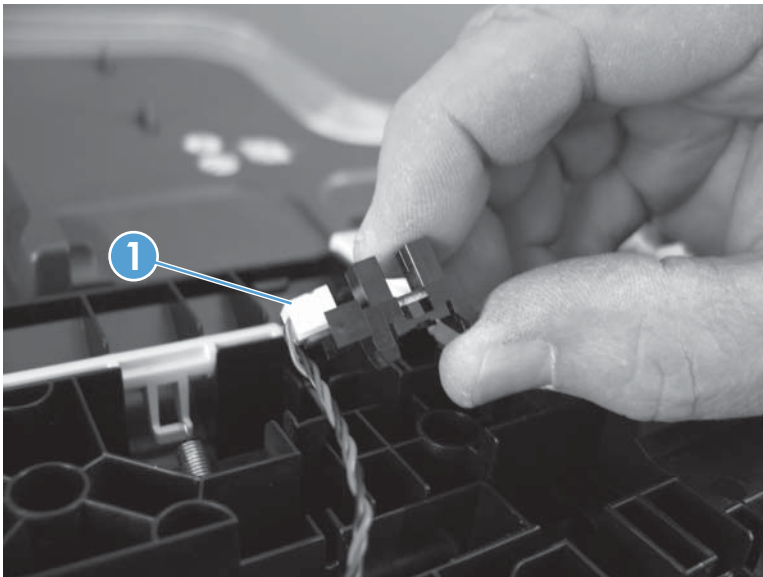
1. Remove the following components or assemblies:
  - Document feeder pickup and feed roller assembly. See [Document feeder pickup and feed roller assembly on page 13](#).
  - Document feeder hatch cover. See [Document feeder hatch cover on page 233](#).
2. Remove the sensor (callout 1).

**Figure 1-326** Remove the document feeder paper present sensor (1 of 2)




3. Disconnect one connector (callout 1).

**Figure 1-327** Remove the document feeder paper present sensor (2 of 2)

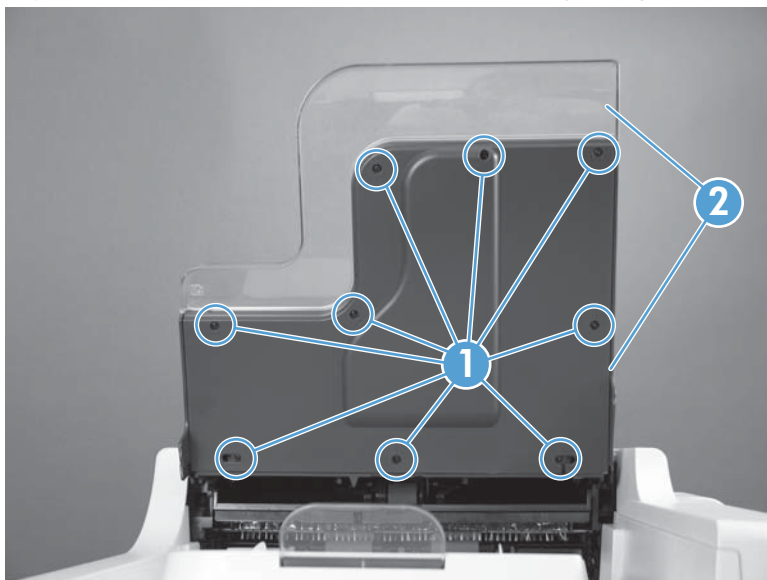


## Document feeder input tray bottom cover

- ▲ Raise the input tray, remove nine screws (callout 1), and then remove the cover (callout 2).

 **NOTE:** The clear plastic portion of the assembly can be separated from the cover when the cover is removed.

**Figure 1-328** Remove the document feeder input tray bottom cover

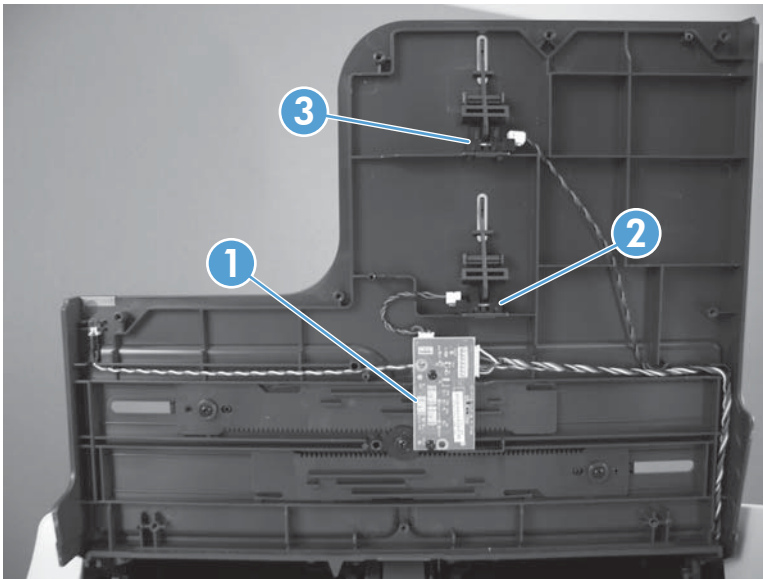


## Document feeder width-adjust sensor, paper-long and paper-short sensors

**⚠ CAUTION:**  ESD sensitive assembly.

1. Remove the document feeder tray bottom cover. See [Document feeder input tray bottom cover on page 235](#).
2. Identify the sensor to be replaced.
  - Width-adjust sensor (callout 1)
  - Paper-short sensor (callout 2)
  - Paper-long sensor (callout 3)

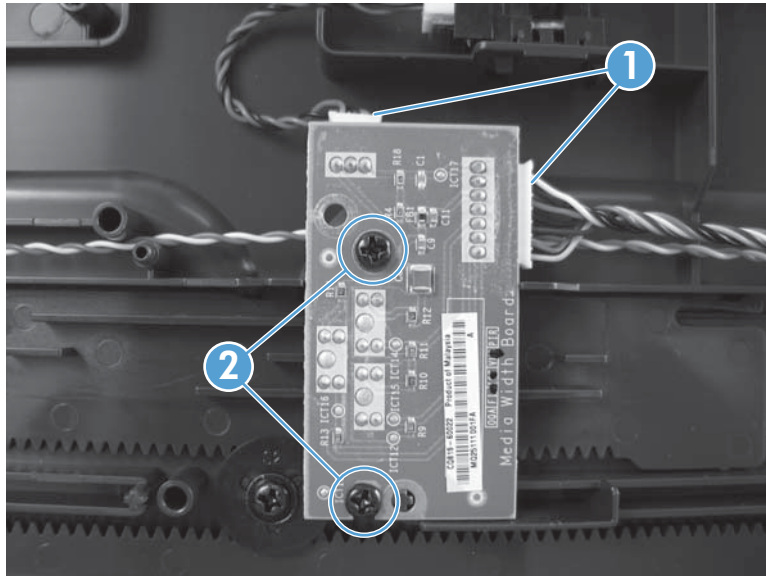
**Figure 1-329** Remove the document feeder width-adjust sensor, paper-short and paper-long sensors



3. Do one of the following:

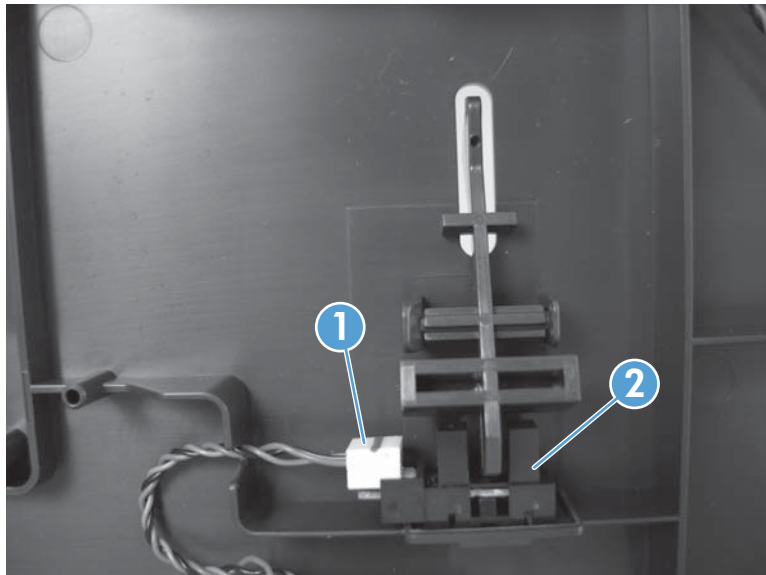
- **Width-adjust sensor:** Disconnect two connectors (callout 1, remove two screws (callout 2), and then remove the sensor PCA.

**Figure 1-330** Remove the document feeder width sensor



- **Paper-short sensor:** Disconnect one connector (callout 1, and then remove the sensor (callout 2).

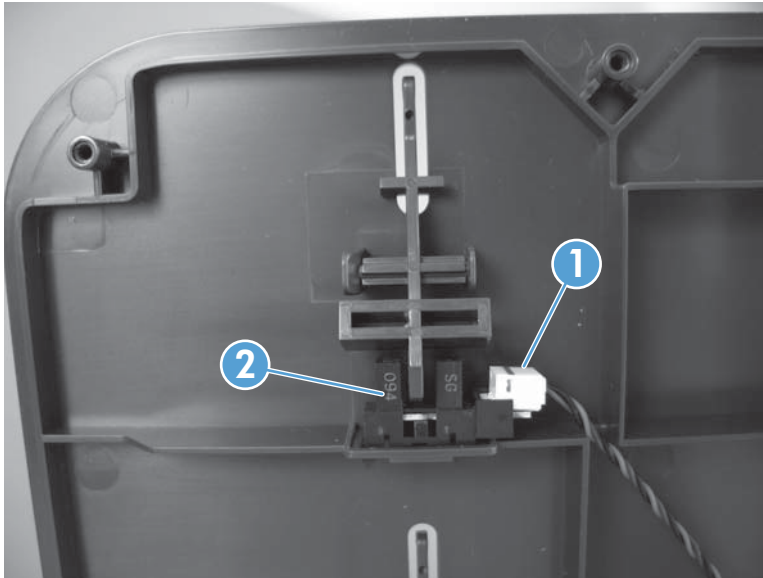
**Figure 1-331** Remove the document feeder paper-short sensor





- **Paper-long sensor:** Disconnect one connector (callout 1, and then remove the sensor (callout 2).

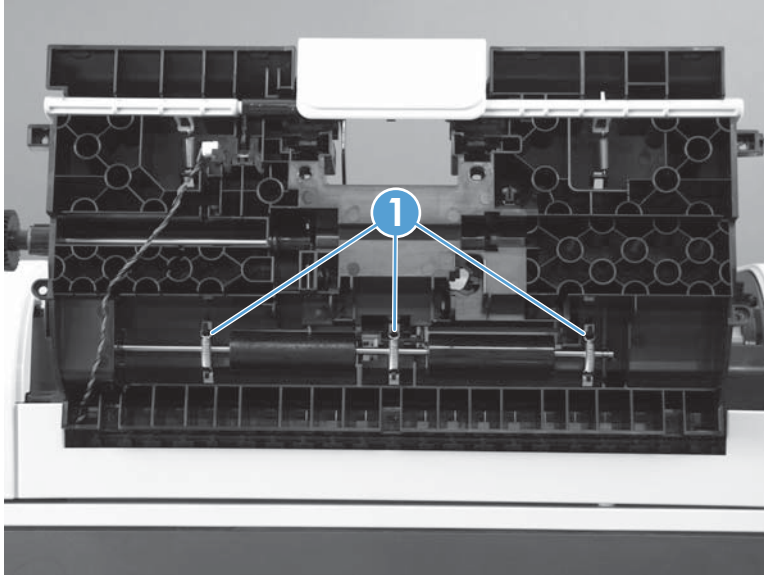
**Figure 1-332** Remove the document feeder paper-long sensor



## Document feeder roller cover

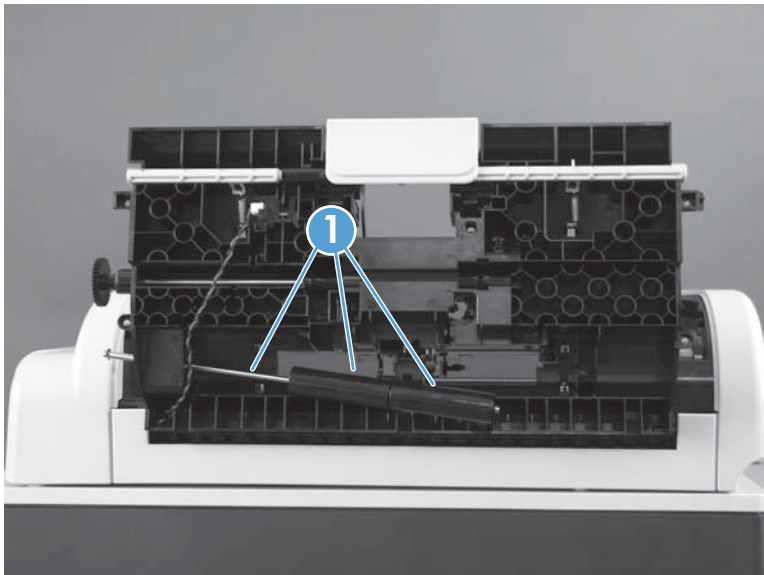
1. Remove the following components or assemblies:
  - Document feeder pickup and feed roller assembly. See [Document feeder pickup and feed roller assembly on page 13](#).
  - Document feeder hatch cover. See [Document feeder hatch cover on page 233](#).
2. Remove three springs (callout 1).

**Figure 1-333** Remove the document feeder roller cover (1 of 4)



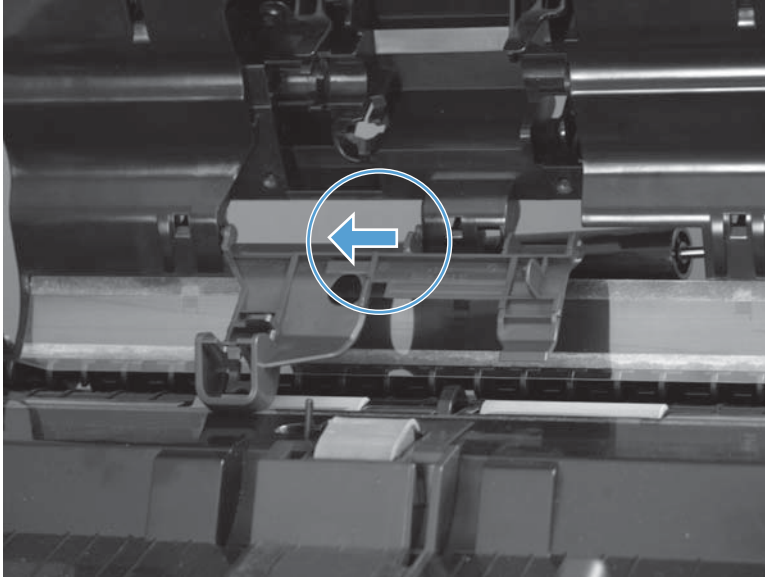
3. Move the rollers and shaft (callout 1) out of the way.

**Figure 1-334** Remove the document feeder roller cover (2 of 4)



4. Use a flat blade screw driver to carefully release one cover hinge pin on the inside of the door.

**Figure 1-335** Remove the document feeder roller cover (3 of 4)



5. Remove the cover.

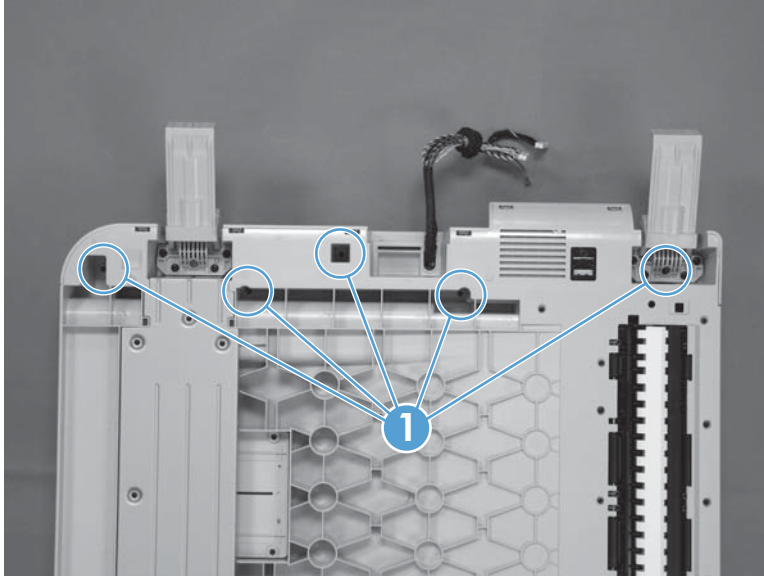
**Figure 1-336** Remove the document feeder roller cover (4 of 4)



## Document feeder rear cover

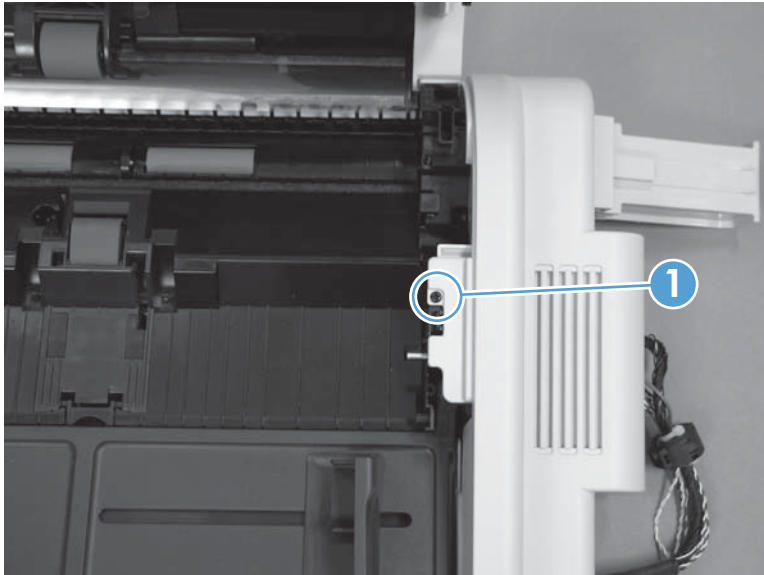
1. Remove the following components or assemblies:
  - Document feeder foam reflector. See [Document feeder foam reflector on page 221](#).
  - Document feeder assembly. See [Document feeder assembly on page 214](#).
2. Turn the document feeder upside down, and then remove five screws (callout 1).

**Figure 1-337** Remove the document feeder rear cover (1 of 4)



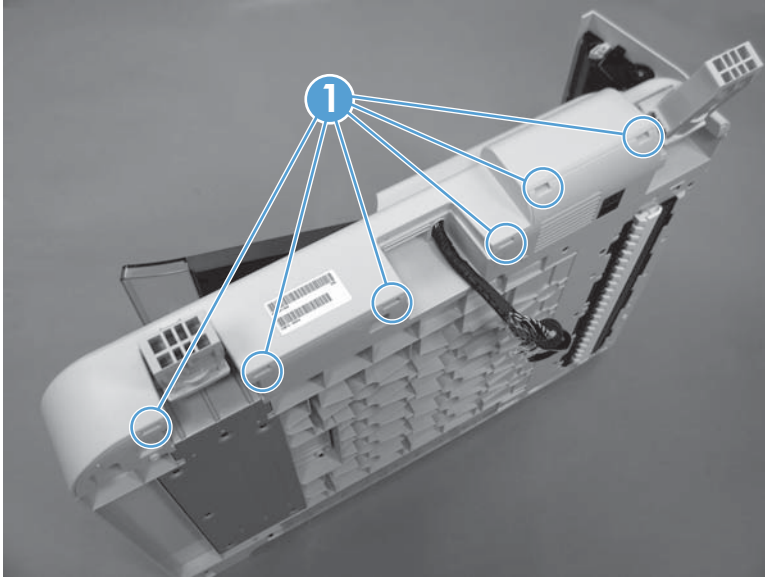
3. Turn the document feeder right-side up, open the document feeder hatch cover, and then remove one screw (callout 1).

**Figure 1-338** Remove the document feeder rear cover (2 of 4)



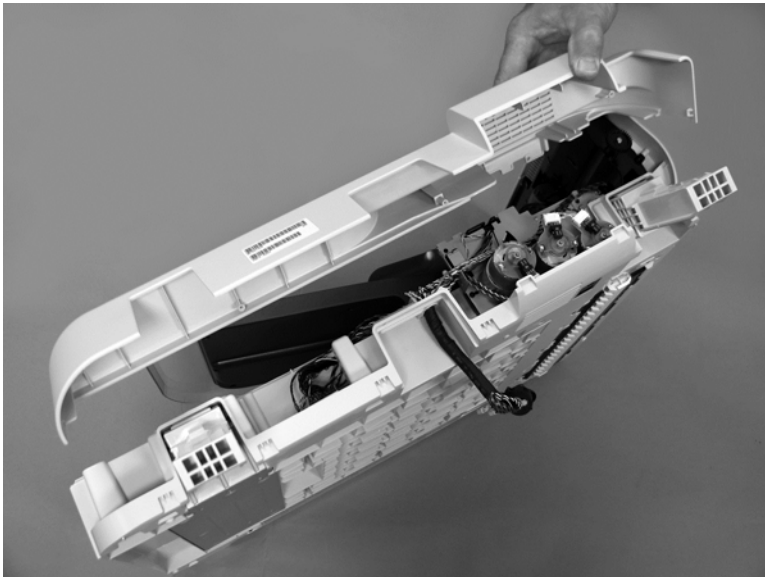
4. Release six tabs (callout 1) along the bottom edge of the cover.

**Figure 1-339** Remove the document feeder rear cover (3 of 4)



5. Remove the cover.

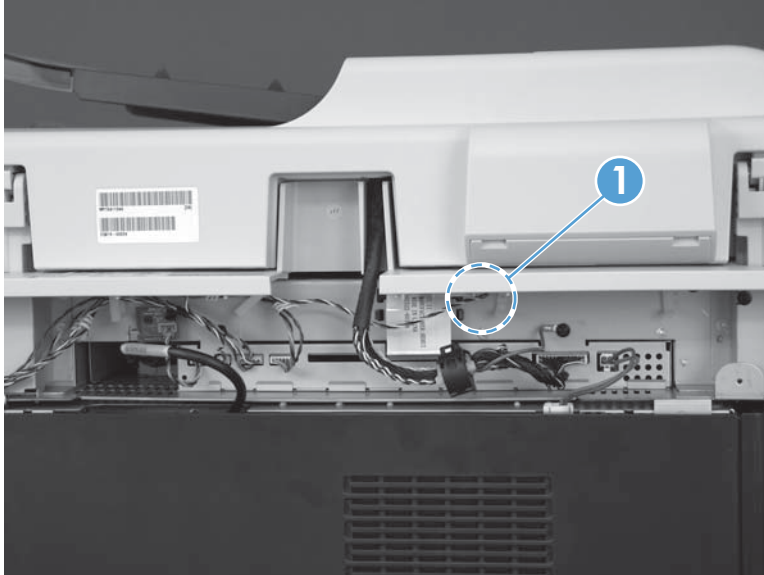
**Figure 1-340** Remove the document feeder rear cover (4 of 4)



## Document feeder open sensor and flag

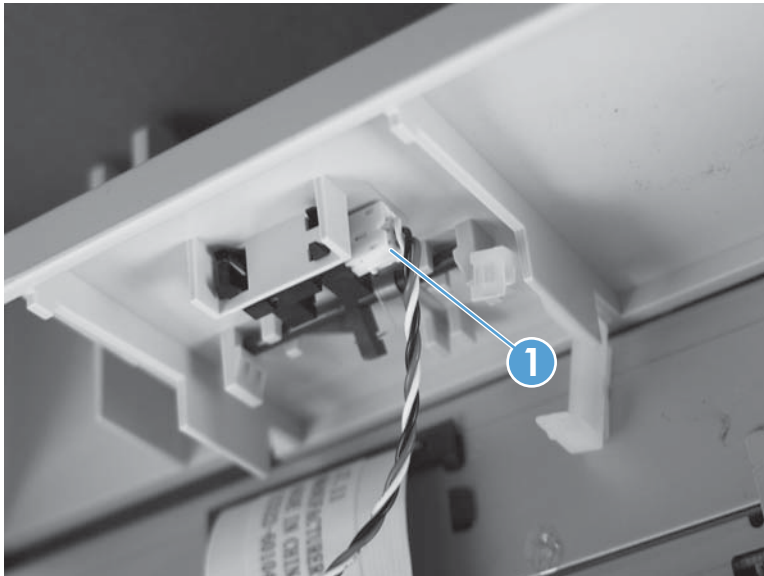
1. Remove the scanner rear and FFC bezel cover. See [Document feeder cable cover on page 217](#).
2. Locate the document feeder open sensor (callout 1).

**Figure 1-341** Remove the document feeder open sensor and flag (1 of 4)



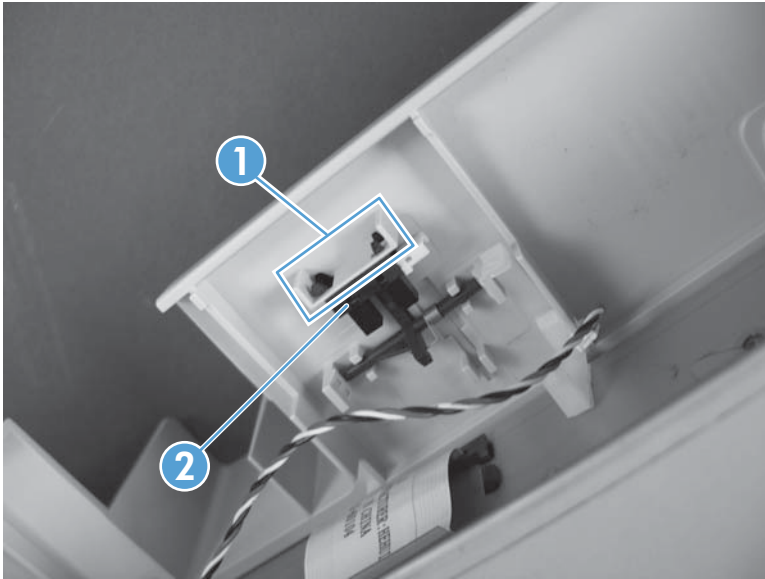
3. Disconnect one connector (callout 1).

**Figure 1-342** Remove the document feeder open sensor and flag (2 of 4)



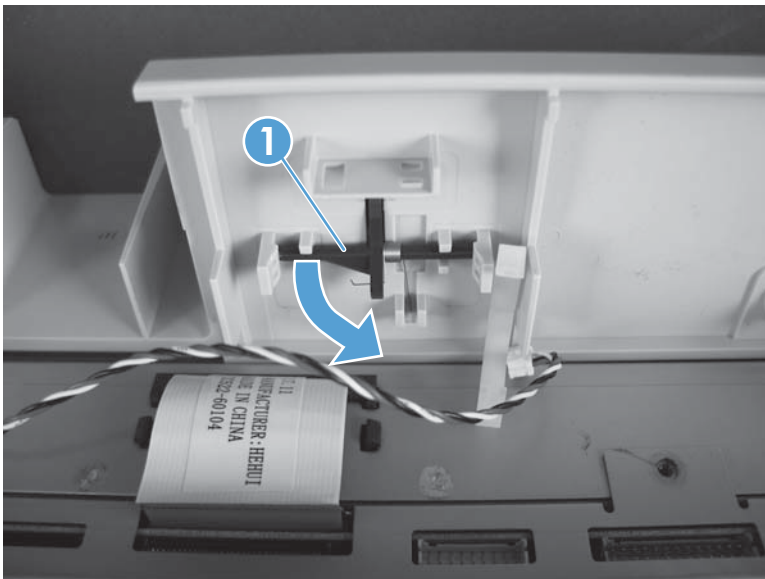
4. Release four tabs (callout 1), and then remove the sensor (callout 2).

**Figure 1-343** Remove the document feeder open sensor and flag (3 of 4)



5. Carefully remove the sensor flag (callout 1).

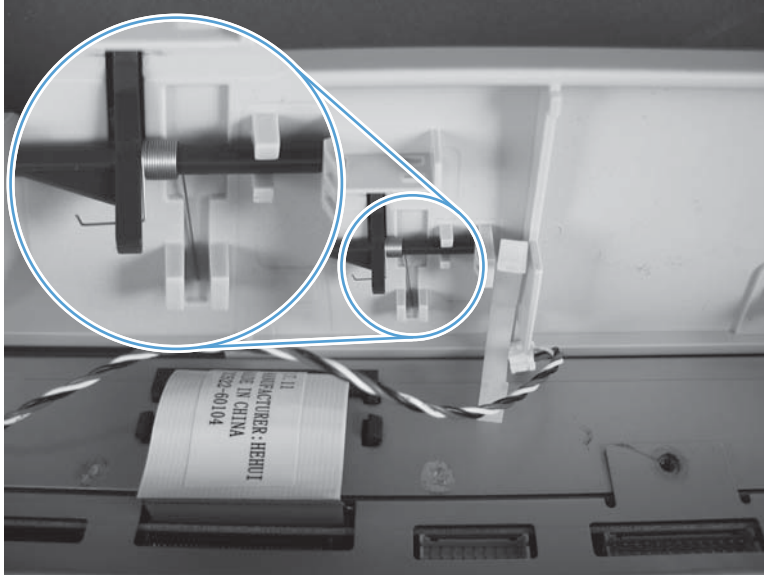
**Figure 1-344** Remove the document feeder open sensor and flag (4 of 4)



## Reinstall the document feeder open sensor and flag

When the assembly is removed, the spring is loose. When you reinstall the assembly, make sure that the long end of the spring fits in the provided channel and the short end of the spring is behind the flag.

**Figure 1-345** Reinstall the document feeder open sensor and flag



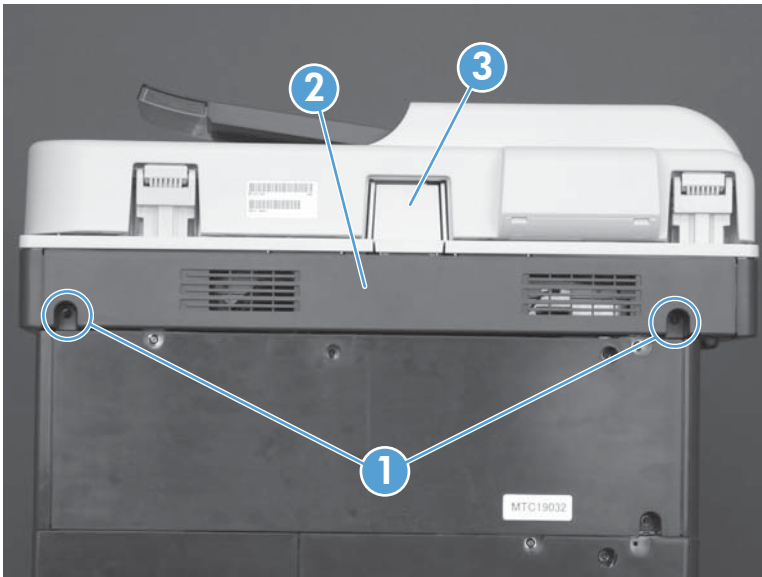


# Scanner


## Scanner controller board (SCB) assembly

1. On the scanner back cover, remove two screws (callout 1), and remove the scanner back cover (callout 2) and the document feeder cable cover (callout 3) from the product.

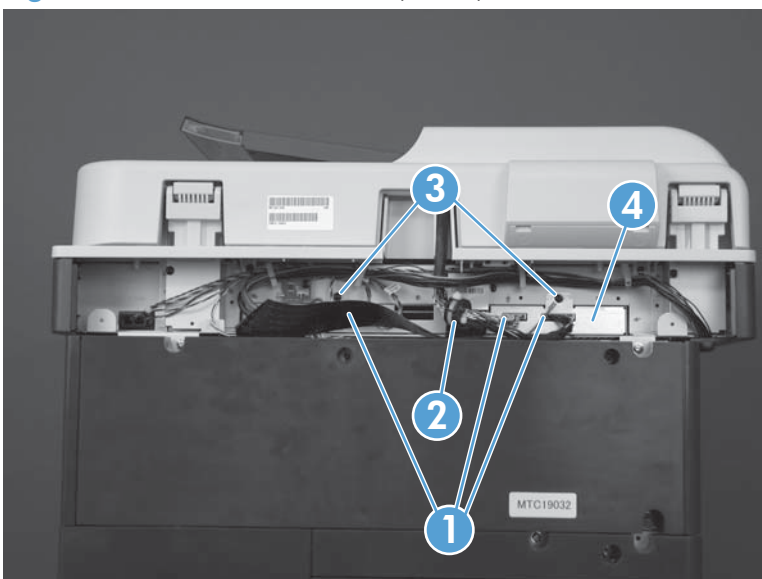
**Figure 1-346** Remove the SCB (1 of 3)



2. Disconnect seven connectors (callout 1) and two flat flexible cables (callout 2), remove two screws (callout 3), and then slide the SCB assembly (callout 4) out of the product.

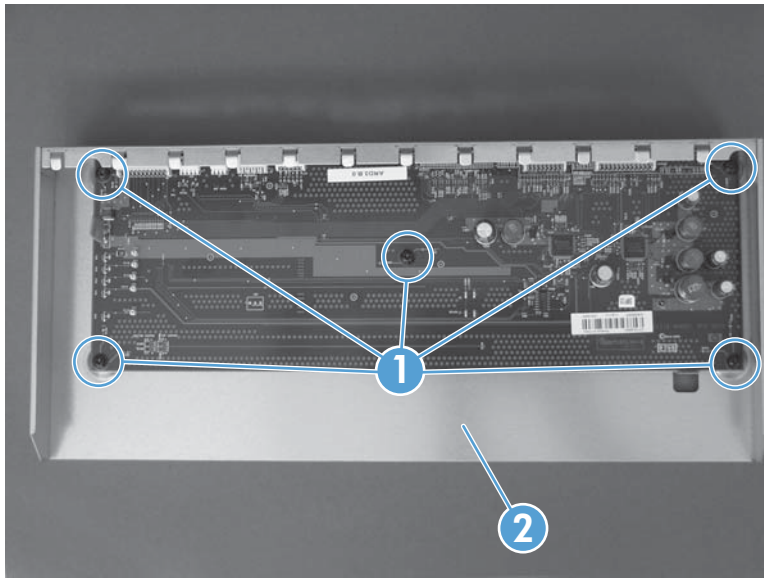
 **Reinstallation tip** Be careful not to pinch any wires between the chassis and the SCB assembly when reinstalling the assembly.

**Figure 1-347** Remove the SCB (2 of 3)



3. Turn the assembly over, remove five screws (callout 1), and then remove the metal SCB cover (callout 2).

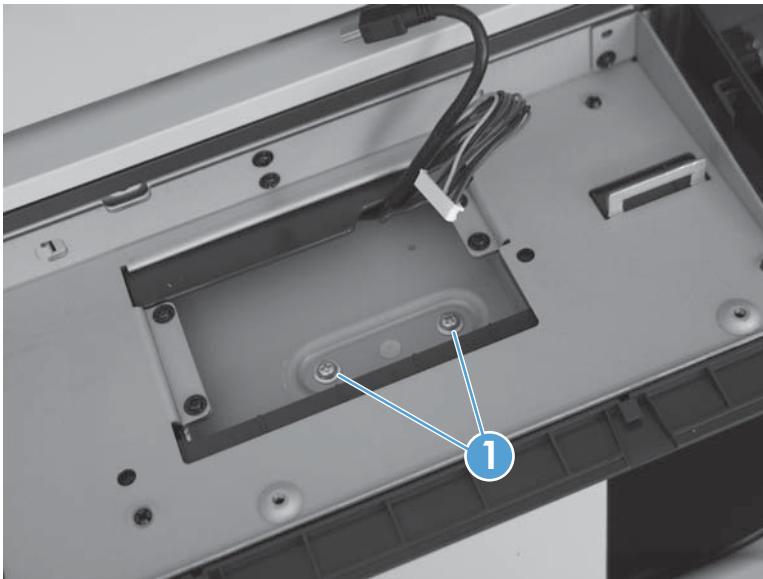
**Figure 1-348** Remove the SCB (3 of 3)



## Scanner assembly

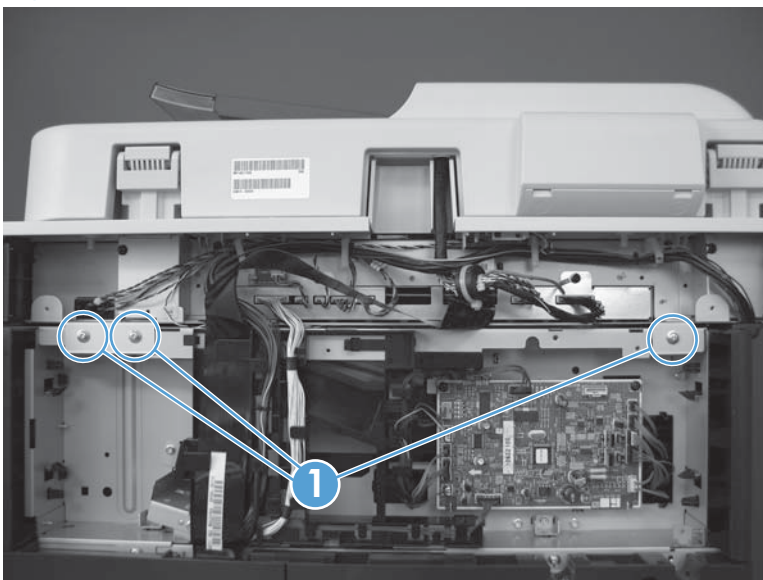
1. Remove the following components or assemblies:
  - Control panel. See [Control panel assembly on page 49](#).
  - Document feeder. See [Document feeder assembly on page 214](#).
  - Rear cover or stapler/stacker rear cover. See [Rear cover on page 24](#) or [Stapler/stacker rear cover on page 190](#).
2. At the front of the product, in the control panel cavity, remove two screws (callout 1).

**Figure 1-349** Remove the scanner (1 of 3)




3. On the rear side of the product, remove three screws (callout 1).

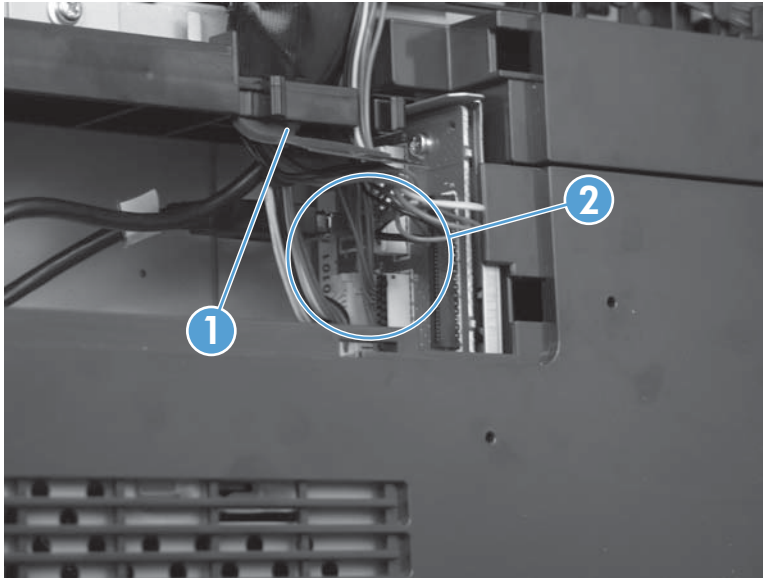
**Figure 1-350** Remove the scanner (2 of 3)




- 4. Stapler/stacker models only:** Remove the rear pocket cover. See Step 1 of [Rear cover on page 24](#).
- 5.** On the connecting PCA, disconnect one flat flexible cable (callout 1)—shown disconnected in the figure below—and three connectors (callout 2; the purple stapler/stacker wire harness connector can remain connected), and then release the cable and wire harnesses from the guides.

 **Reinstallation tip** When reinstalling the scanner assembly, connect the flat flexible cable (callout 1) last.

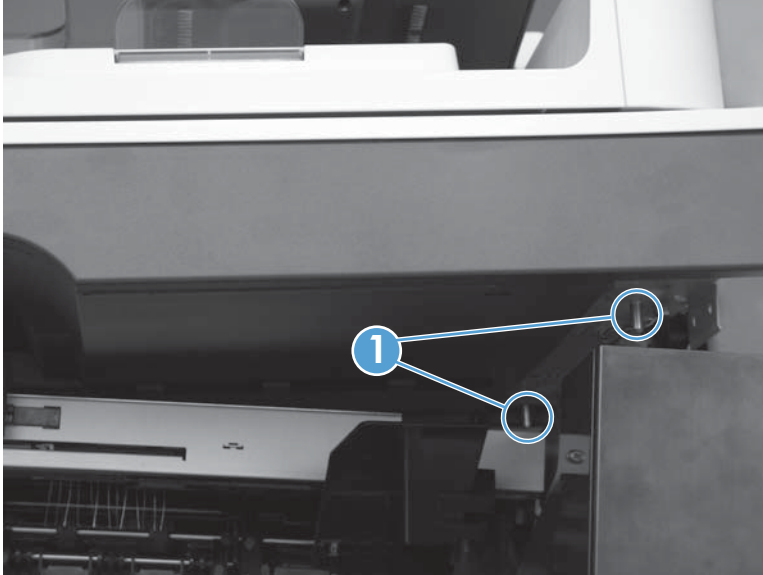
**Figure 1-351** Remove the scanner (3 of 3)




- Lift the scanner assembly up and off of the product to remove it.

 **Reinstallation tip** Use the alignment pins (callout 1) on the back of the scanner assembly to mount the assembly on the product base or stapler/stacker when reinstalling the scanner assembly.

**Figure 1-352** Reinstall the scanner



## Install a replacement scanner assembly

 **NOTE:** If a replacement document feeder assembly or scanner assembly is installed, you must install a replacement foam reflector on the document feeder. See [Document feeder foam reflector on page 221](#).

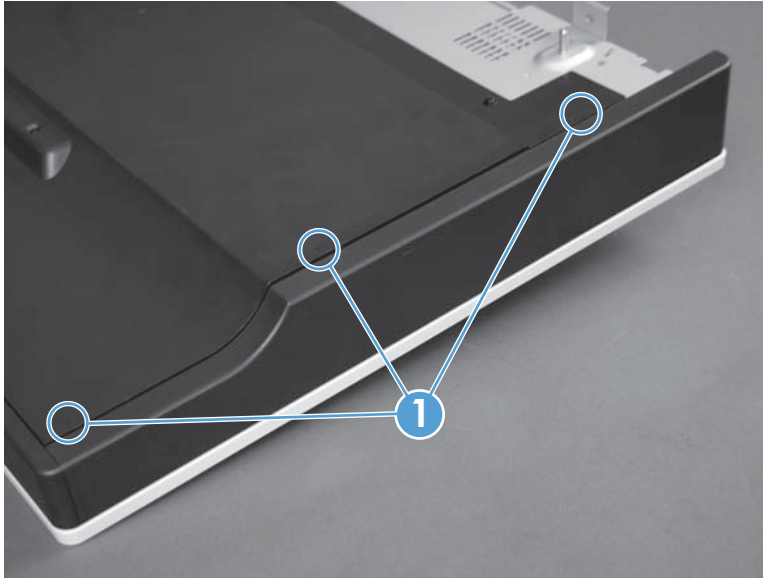
If a replacement image scanner is installed, do the following:

- From the Home screen on the control panel, scroll to and touch the [Device Maintenance](#) button.
- Open the [Service](#) menu.
- On the sign-in screen, select the [Service Access Code](#) option from the drop-down list.
- Type the following service access code for this product: 05072513.
- Reset the following values:
  - [Flatbed Count](#); set to zero
- From the Home screen on the control panel, scroll to and touch the [Device Maintenance](#) button.
- Touch the [Calibration/Cleaning](#) item.
- Touch the [Calibration](#) item.
- Follow the instructions on the control panel to calibrate the product.

## Scanner right cover

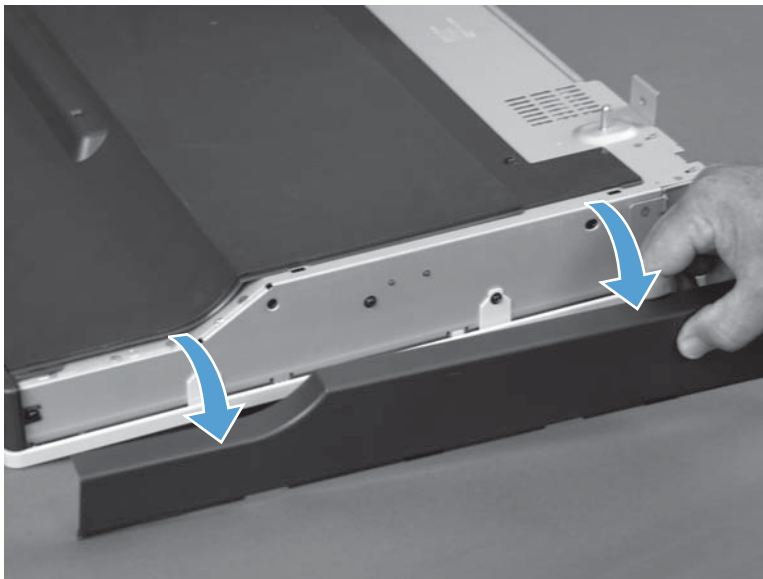
1. Remove the following components or assemblies:
  - Control panel assembly. See [Control panel assembly on page 49](#).
  - Document feeder. See [Document feeder assembly on page 214](#).
  - Scanner assembly. See [Scanner assembly on page 248](#).
2. Turn the scanner upside down, and then release three tabs (callout 1).

**Figure 1-353** Remove the scanner right cover (1 of 2)



3. Rotate the cover away from the scanner to remove it.

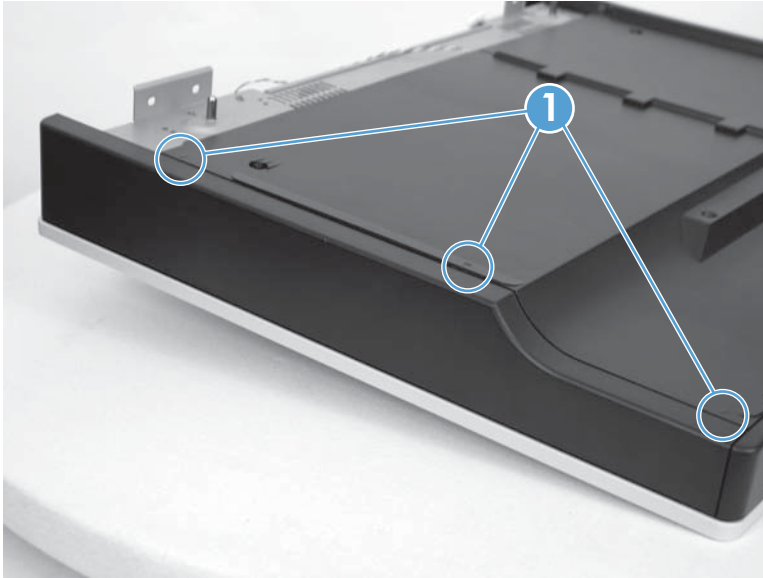
**Figure 1-354** Remove the scanner right cover (2 of 2)



## Scanner left cover

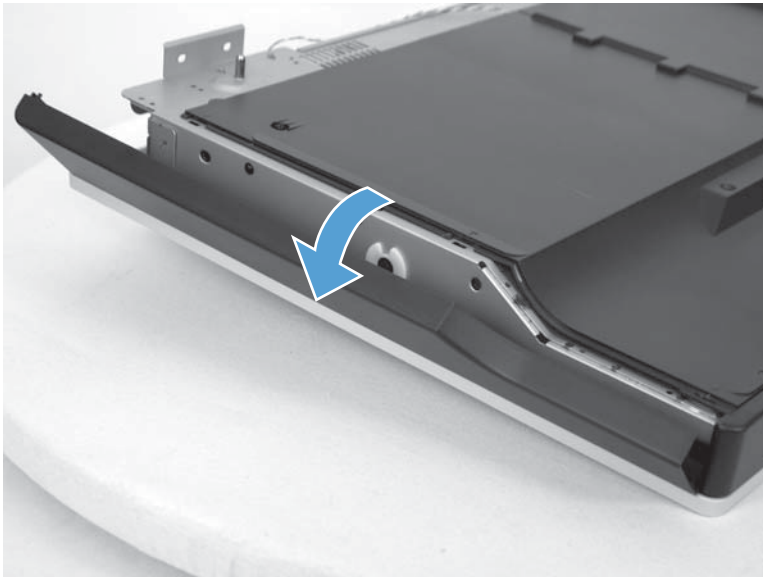
1. Remove the following components or assemblies:
  - Control panel assembly. See [Control panel assembly on page 49](#).
  - Document feeder. See [Document feeder assembly on page 214](#).
  - Scanner assembly. See [Scanner assembly on page 248](#).
2. Turn the scanner upside down, and then release three tabs (callout 1).

**Figure 1-355** Remove the scanner left cover (1 of 2)



3. Rotate the cover away from the scanner to remove it.

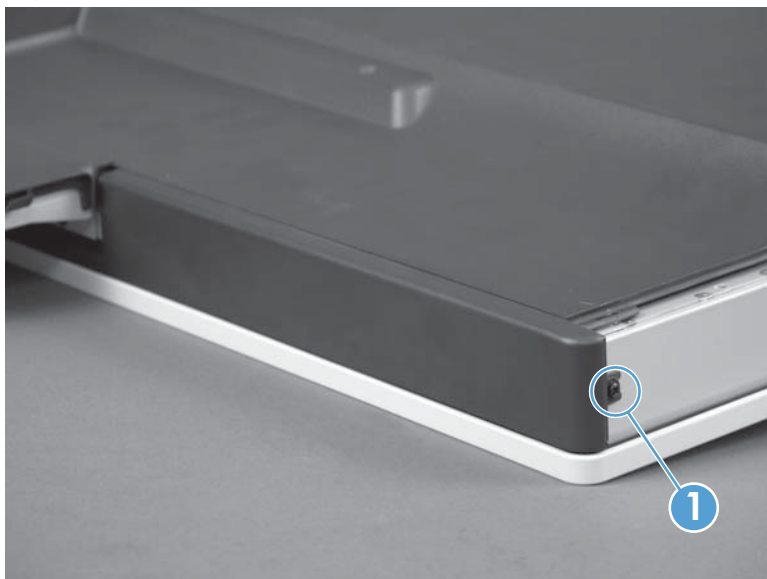
**Figure 1-356** Remove the scanner left cover (2 of 2)



## Scanner front cover

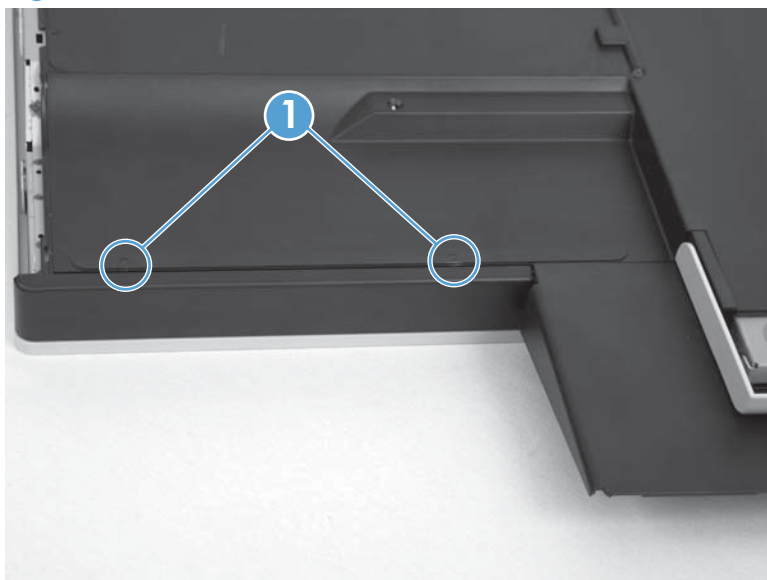
1. Remove the following components or assemblies:
  - Control panel assembly. See [Control panel assembly on page 49](#).
  - Document feeder. See [Document feeder assembly on page 214](#).
  - Scanner assembly. See [Scanner assembly on page 248](#).
  - Scanner right cover. See [Scanner right cover on page 251](#).
2. Remove one screw (callout 1).

**Figure 1-357** Remove the scanner front cover (1 of 3)



3. Release two tabs (callout 1).

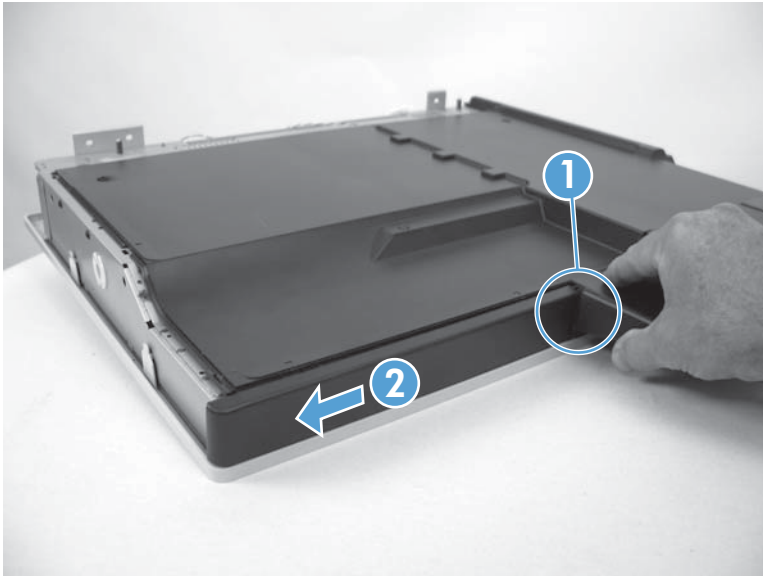
**Figure 1-358** Remove the scanner front cover (2 of 3)





4. Slightly lift up on the control panel bottom cover (callout 1) to give the front cover clearance, and then slide the cover away from the assembly (callout 2) to remove it.

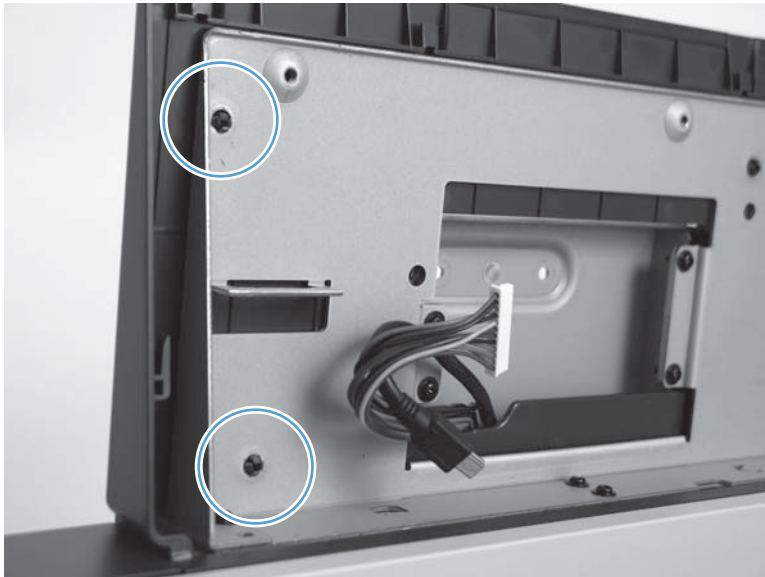
**Figure 1-359** Remove the scanner front cover (3 of 3)



## Reinstall the scanner front cover

When the cover is reinstalled, Make sure that the control panel bottom cover snaps into place.

**Figure 1-360** Reinstall the scanner front cover



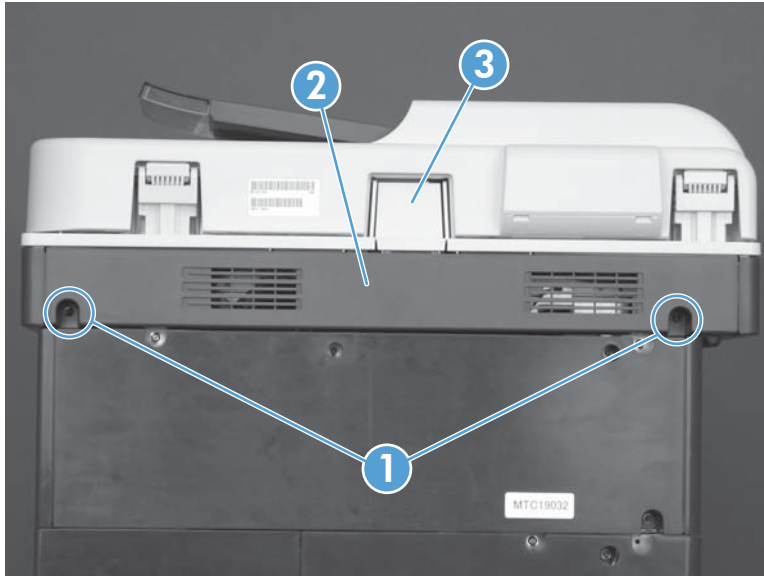
## Image scanner memory board

**⚠ CAUTION:**  ESD sensitive assembly.

Do not replace the SCB and the image scanner memory board at the same time. If you must replace both assemblies, see [Installing a replacement SCB and image scanner memory board on page 257](#).

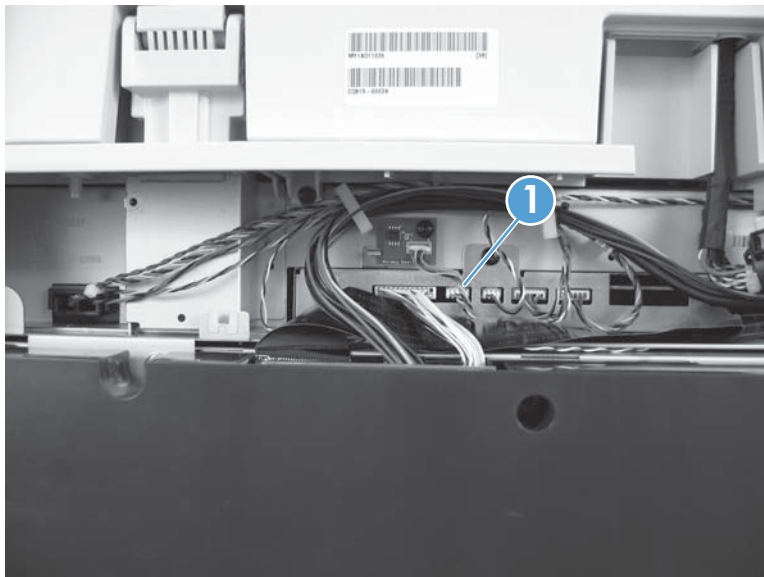
1. On the scanner back cover, remove two screws (callout 1), and remove the scanner back cover (callout 2) and the document feeder cable cover (callout 3) from the product.

**Figure 1-361** Remove the image scanner memory board (1 of 3)




2. Disconnect one connector (callout 1).

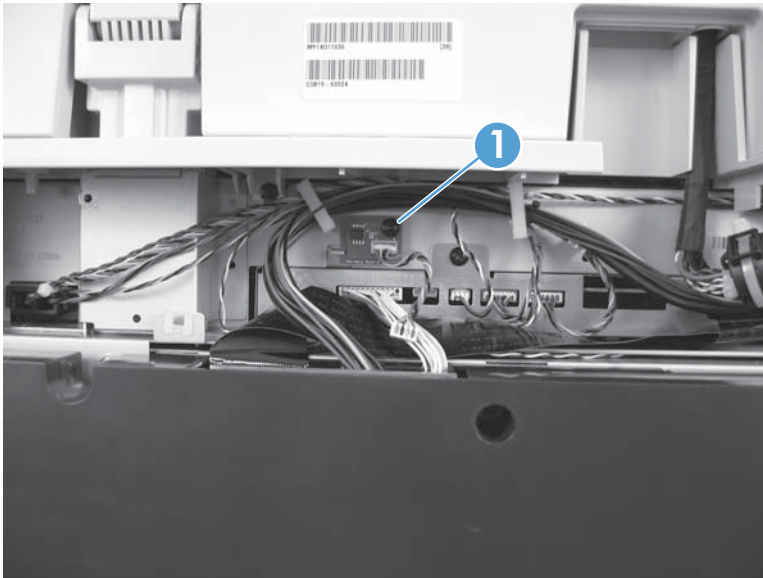
**Figure 1-362** Remove the image scanner memory board (2 of 3)



3. Remove one screw (callout 1), and then carefully remove the image scanner memory board.

 **Reinstallation tip** When the image scanner memory board is reinstalled, make sure that the board fits in the notched holder on the chassis.

**Figure 1-363** Remove the image scanner memory board (3 of 3)



## Installing a replacement SCB and image scanner memory board

The image scanner memory board contains the primary copy of the scan head calibration values. The SCB contains a backup copy of these values. Replacing both of these assemblies at the same time will cause these values to be lost and the image scanner will not operate.


If both assemblies must be replaced, do the following:

1. Replace either the image scanner memory board or the SCB.
2. Turn the product power on, and wait for the product to reach the [Ready](#) state.
3. Turn the product power off, and then replace the remaining assembly.



---

## 2 Parts and diagrams

 **NOTE:** Not all components listed in the parts tables can be ordered. If a component listed has an associated part number, then it is a field replaceable unit (FRU) and can be ordered. If the component does not have an associated part number, you must order the FRU that includes the desired component.

- [Order parts by authorized service providers](#)
- [How to use the parts lists and diagrams](#)
- [Fasteners used in this product](#)
- [Assembly locations](#)
- [Document feeder, control panel, and scanner whole units](#)
- [Document feeder assemblies](#)
- [Scanner assemblies](#)
- [Scanner controller board \(SCB\)](#)
- [Print engine](#)
- [500-sheet paper feeder \(Tray 4\)](#)
- [1x500 and 3x500 paper deck](#)
- [High capacity input \(HCI\) feeder](#)
- [Stapler/stacker assembly](#)
- [Alphabetical parts list](#)
- [Numerical parts list](#)

# Order parts by authorized service providers

**Table 2-1 Order parts, accessories, and supplies**

Order supplies and paper	<a href="http://www.hp.com/go/suresupply">www.hp.com/go/suresupply</a>
Order genuine HP parts or accessories	<a href="http://www.hp.com/buy/parts">www.hp.com/buy/parts</a>
Order through service or support providers	Contact an HP-authorized service or support provider.
Order using HP software	For information about using the HP software to order parts, accessories, and supplies, see the product user guide.

## Related documentation and software

**Table 2-2 Related documentation and software**

Item	Description	Part number
<i>HP LaserJet Enterprise MFP M725 Series User Guide</i>	Product user guide, English	CF066-90901
<i>HP LaserJet Pro Enterprise MFP M725 Series Repair Manual</i>	Repair manual, English (this manual)	CF066-90988
<i>HP LaserJet Pro Enterprise MFP M725 Series Troubleshooting Manual</i>	Troubleshooting manual, English	CF066-91023

## Supplies part numbers

**Table 2-3 Supplies part numbers**

Item	Description	Part number
HP LaserJet toner cartridge	Standard-capacity cartridge	CF214-67901
		CF214A
	High-capacity cartridge	CF214-67902
		CF214X
Staple cartridge	5,000-staple cartridge	C8085-60541
		C8091A

## Customer self repair orderable parts

**Table 2-4 Orderable parts**

Item	Description	Self-replacement options	Part number
Hard-disk drive replacement kit	Replacement 320 GB HP High-Performance Secure Hard Disk	Optional	CF066-67902
	Replacement 320 GB HP High-Performance Secure Hard Disk (government option)	Optional	CF066-67904
Formatter assembly kit	Replacement formatter assembly kit	Mandatory	CF066-67901
	Replacement formatter assembly kit—China	Mandatory	CF066-67903
Memory DIMM	512 MB	Mandatory	CF066-67905
Control-panel replacement kit	Replacement kit for the control panel	Mandatory	CD644-67916
Fax-card replacement kit	Replacement kit for the fax card	Mandatory	CF066-67912
Document-feeder-roller maintenance kit	Replacement rollers for the document feeder	Mandatory	L2725-60002
Document feeder separation pad spring	Replacement spring for document feeder separation pad	Optional	5851-4879
Scanner foam reflector kit	Replacement white backing under the scanner lid	Optional	5851-4888
Staple-cartridge refill	Refill for the stapler	Mandatory	C8085-60541
Tray 1 pickup roller and separation pad kit	Replacement pickup roller and separation pad for Tray 1	Optional	CF235-67906
Tray 2 or Tray 3 pickup roller and separation pad kit	Replacement pickup roller and separation pad for Tray 2 or Tray 3	Optional	CF235-67909
Tray 2 assembly kit	Replacement for Tray 2	Mandatory	CF235-67911
Tray 3 assembly kit	Replacement for Tray 3	Mandatory	CF235-67912
1x500-sheet feeder	Replacement 1x500-sheet feeder	Mandatory	CF235-67914
Trays 4, 5, and 6 roller kit	Replacement pickup, feed, and separation rollers for Trays 4, 5, and 6	Mandatory	CC522-67909
Tray 4, 5, or 6 assembly kit	Assembly kit for Trays 4, 5, or 6	Mandatory	CF235-67917
1x500-sheet feeder with stand kit	Optional 500-sheet feeder with stand	Mandatory	CF235-67915
3x500-sheet feeder with stand kit	Optional 3x500-sheet feeder with stand	Mandatory	CF235-67916
3,500-sheet high-capacity input feeder with stand kit	Optional 3,500-sheet high-capacity input feeder with stand	Mandatory	CF235-67918
3,500-sheet high-capacity input feeder left tray assembly	Left tray for the 3,500-sheet high-capacity input feeder	Mandatory	CF235-60103



**Table 2-4 Orderable parts (continued)**

Item	Description	Self-replacement options	Part number
3,500-sheet high-capacity input feeder right tray assembly	Right tray for the 3,500-sheet high-capacity input feeder	Mandatory	CF235-60104
3,500-sheet tray roller kit	Replacement pickup, feed, and separation rollers for the 3,500-sheet high-capacity input feeder	Mandatory	5851-5011
Transfer-roller kit	Replacement transfer roller	Mandatory	CF235-67910
Duplexer kit	Optional duplexer kit	Mandatory	CF235-67913
Fuser assembly kit	Replacement 110V fuser assembly kit	Mandatory	CF235-67921
	Replacement 220V fuser assembly kit	Mandatory	CF235-67922
110V maintenance kit	Product maintenance kit	Mandatory	CF235-67907
	<ul style="list-style-type: none"> <li>• 110-volt fuser</li> <li>• Transfer roller</li> <li>• Tray 1 pickup roller and separation pad</li> <li>• Tray 2 and 3 pickup rollers</li> <li>• Tray 2 and 3 separation pads</li> <li>• Trays 4,5, and 6 feed and separation rollers</li> </ul>		
220V maintenance kit	Product maintenance kit	Mandatory	CF235-67908
	<ul style="list-style-type: none"> <li>• 220-volt fuser</li> <li>• Transfer roller</li> <li>• Tray 1 pickup roller and separation pad</li> <li>• Tray 2 and 3 pickup rollers</li> <li>• Tray 2 and 3 separation pads</li> <li>• Trays 4,5, and 6 feed and separation rollers</li> </ul>		
Trays 2, 3, 4, 5, and 6 label kit	Replacement labels for Trays 2, 3, 4, 5, and 6	Mandatory	5851-5600
Toner cartridge	Standard capacity	Mandatory	CF214-67901
	High capacity	Mandatory	CF214-67902
Power cable 220V – 10A	Replacement cable – China	Mandatory	8121-0943
Power cable 110V – 13A	Replacement cable – Taiwan	Mandatory	8121-0964
Power cable 220V –10A	Replacement cable – Korea, EU generic	Mandatory	8121-0731

**Table 2-4 Orderable parts (continued)**

Item	Description	Self-replacement options	Part number
Power cable 110V – 12A	Replacement cable – Japan	Mandatory	8121-1143
Power cable 220V – 6A	Replacement cable – India	Mandatory	8121-0564
Power cable 220V – 10A	Replacement cable – UK/Asia Pacific	Mandatory	8121-0739
Power cable 220V – 10A	Replacement cable – Australia/New Zealand	Mandatory	8121-0837
Power cable 220V – 10A	Replacement cable – Israel	Mandatory	8121-1004
Power cable 220V – 10A	Replacement cable – Denmark	Mandatory	8121-0733
Power cable 220V – 10A	Replacement cable – South Africa	Mandatory	8121-0737
Power cable 220V – 10A	Replacement cable – Switzerland	Mandatory	8121-0738
Power cable 110V – 10A Brazil	Replacement cable – Brazil	Mandatory	8121-1071
Power cable 220V – 10A Argentina	Replacement cable – Argentina	Mandatory	8121-0729
Power cable 110V – 10A North America	Replacement cable – North America	Mandatory	8121-0740
Power cable 220V – 10A South America/Chile/Peru	Replacement cable – South America/Chile/Peru	Mandatory	8121-0735
Power cable 220V / 110V – Thailand/Philippines	Replacement cable – Thailand/Philippines	Mandatory	8121-0734

## Accessories part numbers

**Table 2-5 Accessories part numbers**

Item	Description	Part number
500-sheet tray and feeder unit	Optional tray to increase paper capacity	CF235-67914
1x500-sheet feeder, cabinet, and stand	Optional tray to increase paper capacity	CF235-67915
3x500-sheet feeder and stand	Optional tray to increase paper capacity	CF235-67916
3,500-sheet high-capacity input and stand	Optional tray to increase paper capacity	CF235-67918
Duplex printing assembly	Optional accessory to print on both sides of the paper	CF235-67913
Hard disk drive	Replacement 320 GB HP High-Performance Secure Hard Disk	CF066-67902
	Replacement 320 GB HP High-Performance Secure Hard Disk (government option)	CF066-67904
Memory DIMM	HP Optional 512 MB DIMM memory	CF066-67905

**Table 2-5 Accessories part numbers (continued)**

<b>Item</b>	<b>Description</b>	<b>Part number</b>
Fax accessory	HP LaserJet MFP Analog Fax Accessory 500	CF066-67912
HP Jetdirect print servers	HP Jetdirect ew2500 Wireless Print Server	J8021A
	HP Jetdirect 2700w USB Wireless Print Server	J8026A
USB cable	Standard USB-compatible device connector, 2 m (6.5 ft)	C6518A

# How to use the parts lists and diagrams

The figures in this chapter show the major subassemblies in the product and their component parts. A parts list table follows each exploded view assembly diagram. Each table lists the item number, the associated part number, and the description of each part. If a part is not listed in the table, then it is not a field replacement unit (FRU).

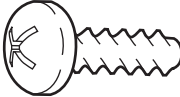
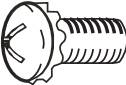
**⚠ CAUTION:** Be sure to order the correct part. When looking for part numbers for electrical components, pay careful attention to the voltage that is listed in the description column. Doing so will ensure that the part number selected is for the correct model.

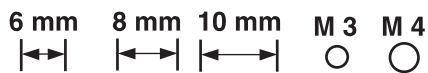
**📝 NOTE:** In this manual, the abbreviation “PCA” stands for “printed circuit-board assembly.” Components described as a PCA might consist of a single circuit board or a circuit board plus other parts, such as cables and sensors.

## Fasteners used in this product

**📝 NOTE:** The screw illustrations in the following table are for reference only. Screws might vary in size and appearance from those shown in this table.

**Table 2-6 Common fasteners**

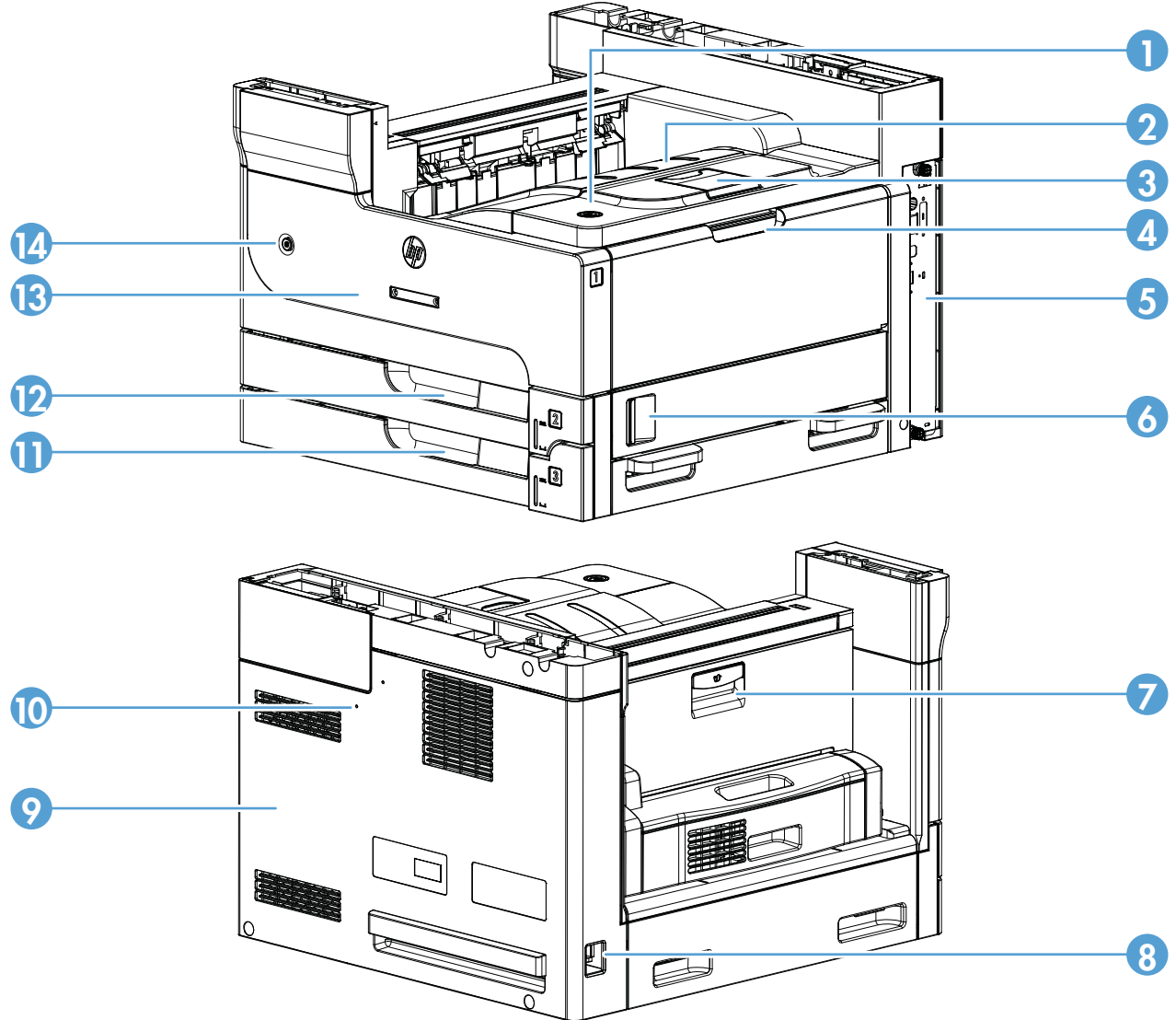
Example	Description	Size	Part Number
	Screw, tapping, truss head	M4X10	XB4-7401-005CN
	Screw, D	M3X8	XA9-1671-000CN



# Assembly locations

## Base product (no optional trays or accessories)

Figure 2-1 Base product (no optional trays or accessories)



Item	Description	Item	Description
1	Cartridge door	8	Power receptacle
2	Face-down output bin	9	Rear cover
3	Face-down output bin extension tray	10	Test print switch
4	Tray 1 (MP tray)	11	Lower cassette
5	Formatter	12	Upper cassette

Item	Description	Item	Description
6	Right door	13	Front cover
7	Left door	14	Power switch

## Optional 500-sheet paper feeder (accessory)

Figure 2-2 Optional 500-sheet paper feeder (accessory)

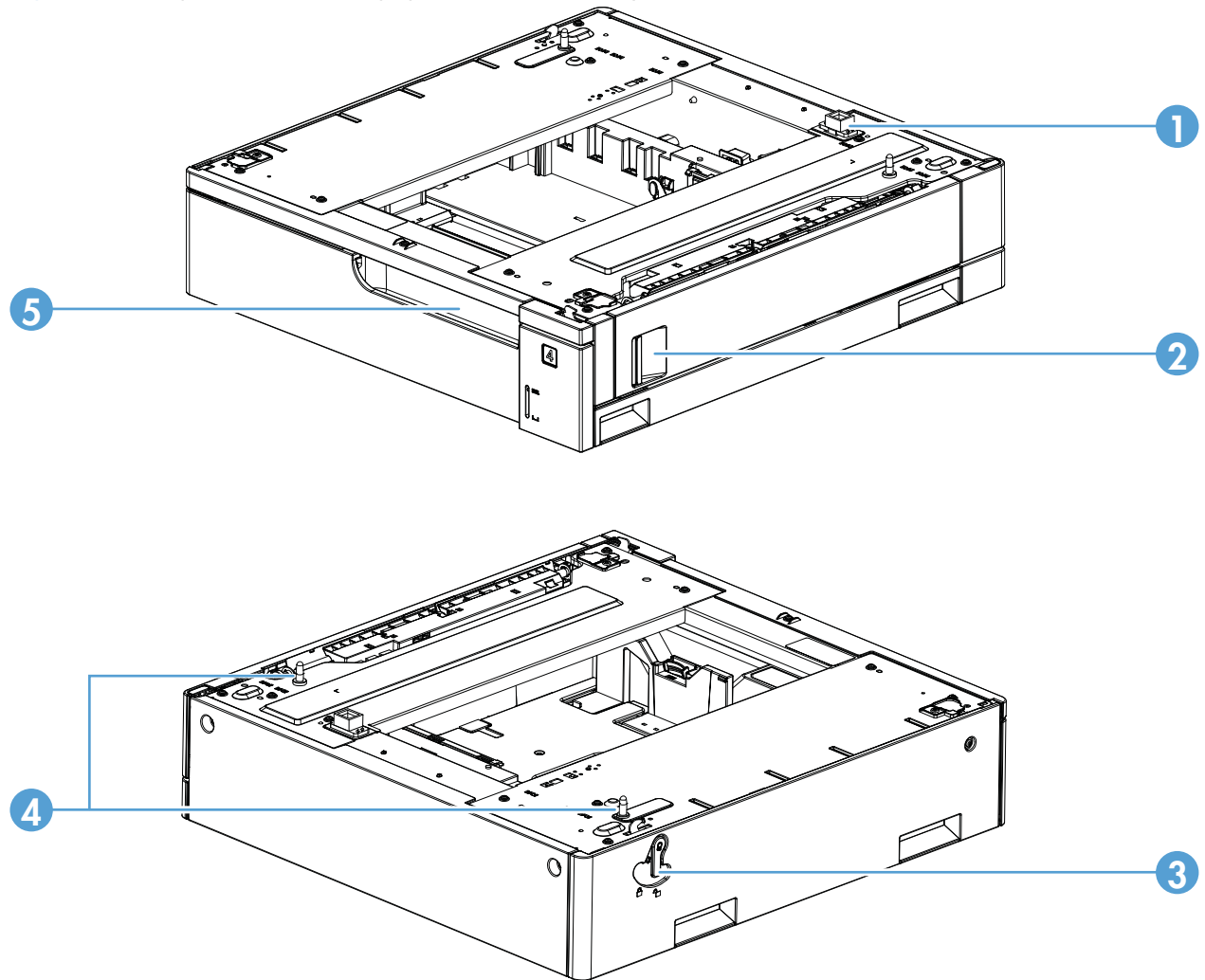


Table 2-7 Optional 500-sheet paper feeder (accessory)

Item	Description	Item	Description
1	Connector	4	Positioning pin
2	Right door	5	Cassette
3	Lock lever		

## Optional 1x500-sheet paper deck (accessory)

Figure 2-3 Optional 1x500-sheet paper deck (accessory)

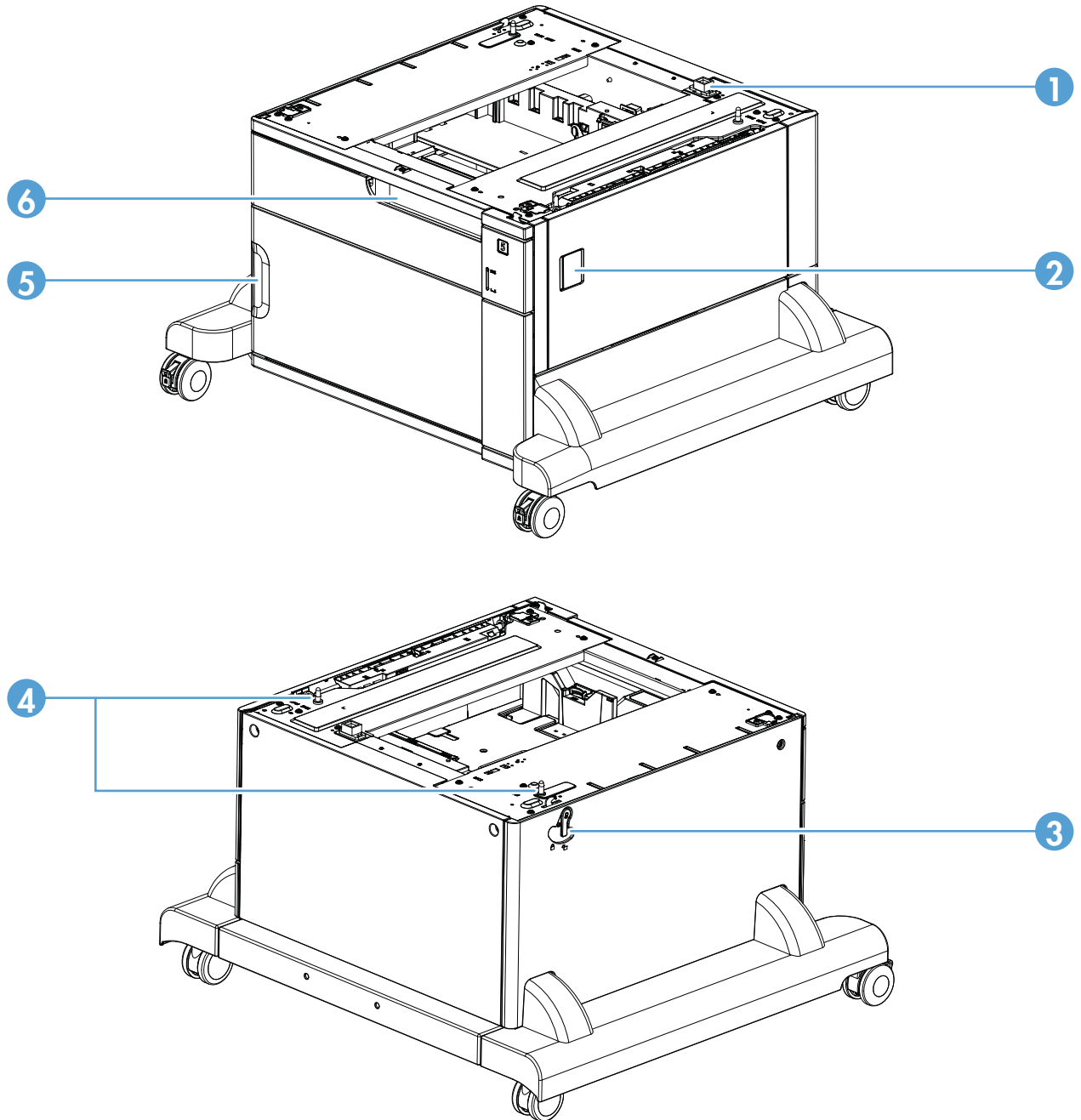


Table 2-8 Optional 1x500-sheet paper deck (accessory)

Item	Description	Item	Description
1	Connector	4	Positioning pin
2	Right door	5	Front door
3	Lock lever	6	Cassette

## Optional 3x500-sheet paper deck (accessory)

Figure 2-4 Optional 3x500-sheet paper deck (accessory)

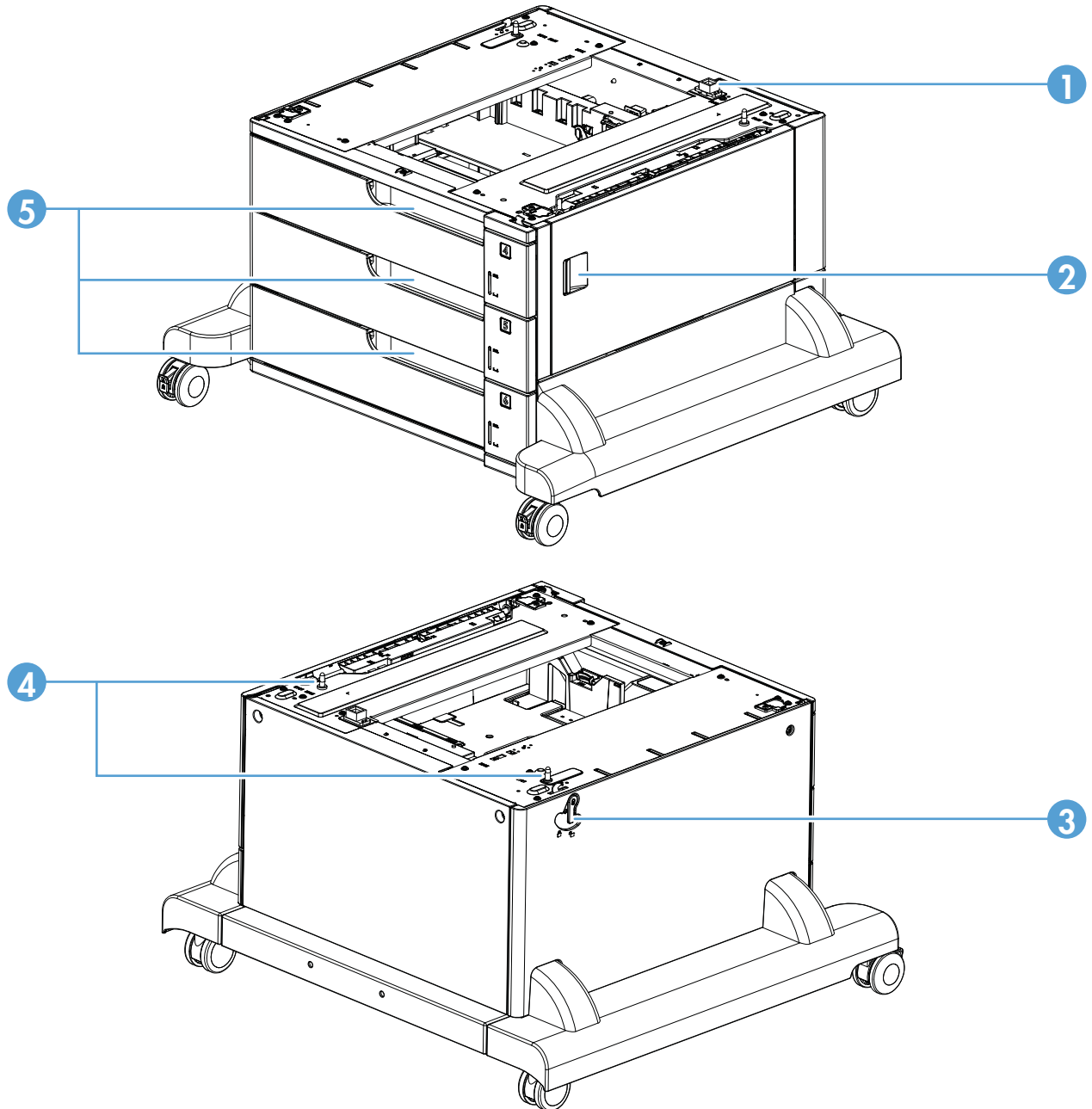


Table 2-9 Optional 3x500-sheet paper deck (accessory)

Item	Description	Item	Description
1	Connector	4	Positioning pin
2	Right door	5	Cassette
3	Lock lever		



## High capacity input (HCI) paper deck

Figure 2-5 High capacity input (HCI) paper deck

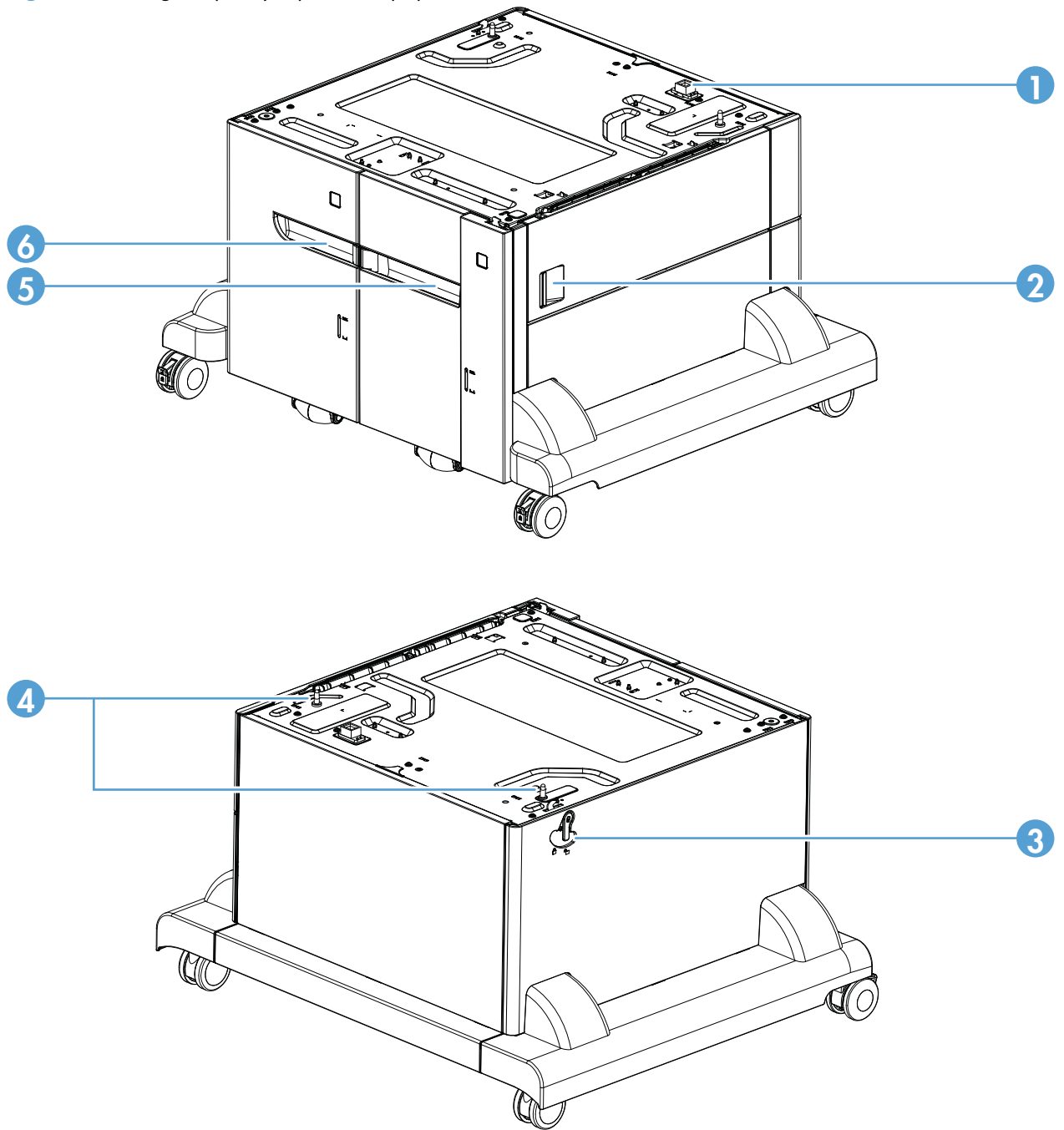
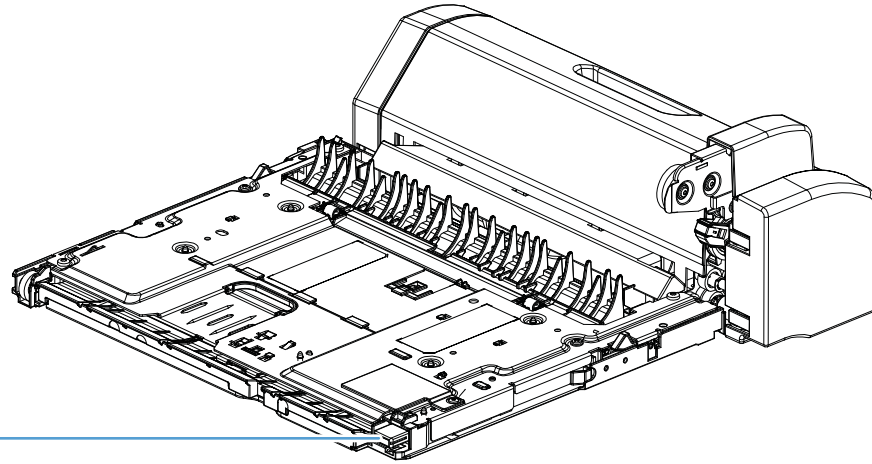


Table 2-10 High capacity input (HCI) paper deck

Item	Description	Item	Description
1	Connector	4	Positioning pin
2	Right door	5	Right cassette
3	Lock lever	6	Left cassette

# Duplexer

Figure 2-6 Duplexer



**1**  
**Table 2-11 Duplexer**

Item	Description
1	Connector

## Optional stapler/stacker

Figure 2-7 Optional stapler/stacker

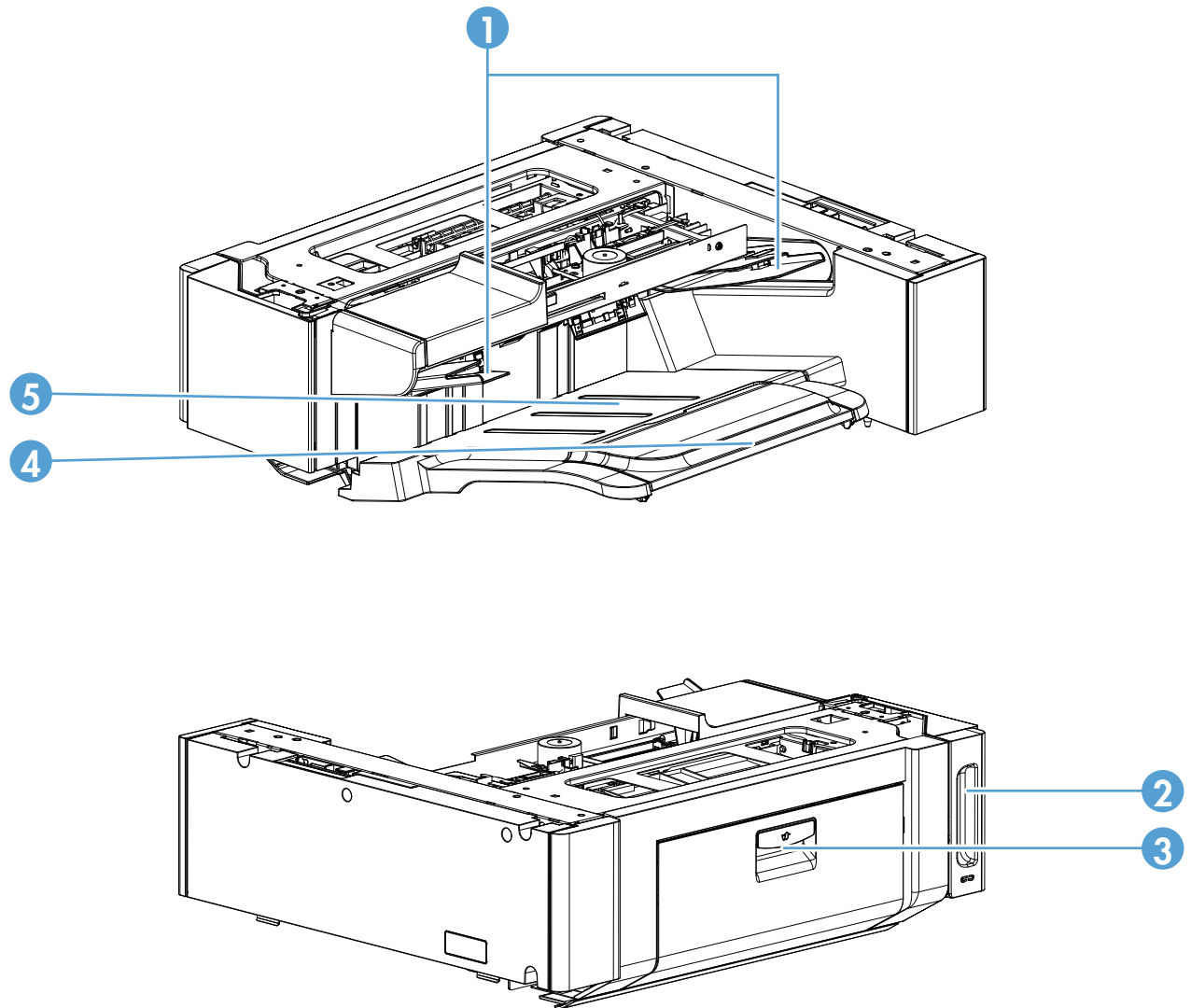


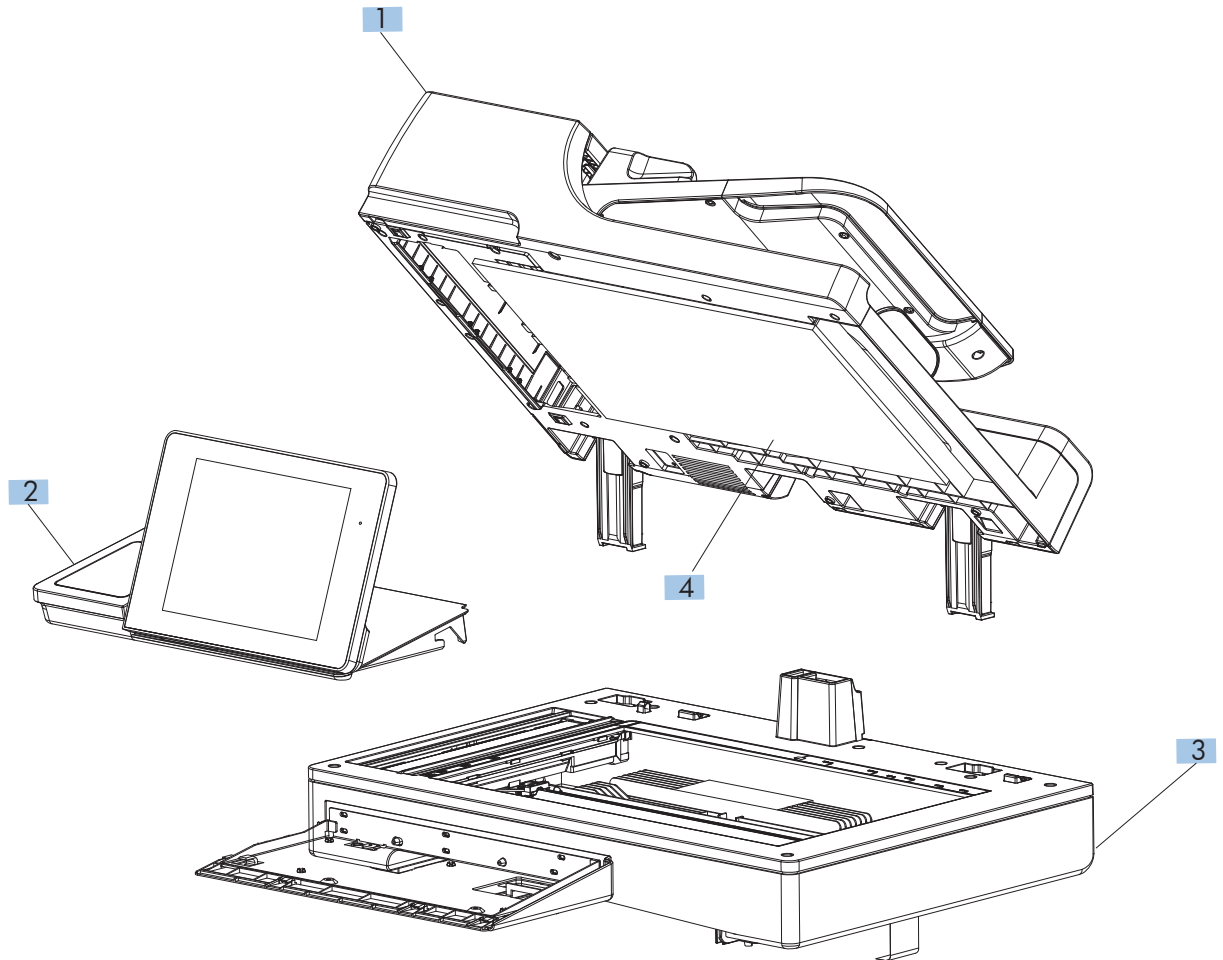
Table 2-12 Optional stapler/stacker (accessory)

Item	Description	Item	Description
1	Logger guide	4	Output bin extension
2	Stapler door	5	Output bin
3	Left door		



# Document feeder, control panel, and scanner whole units

Figure 2-8 Document feeder, control panel, and scanner whole units

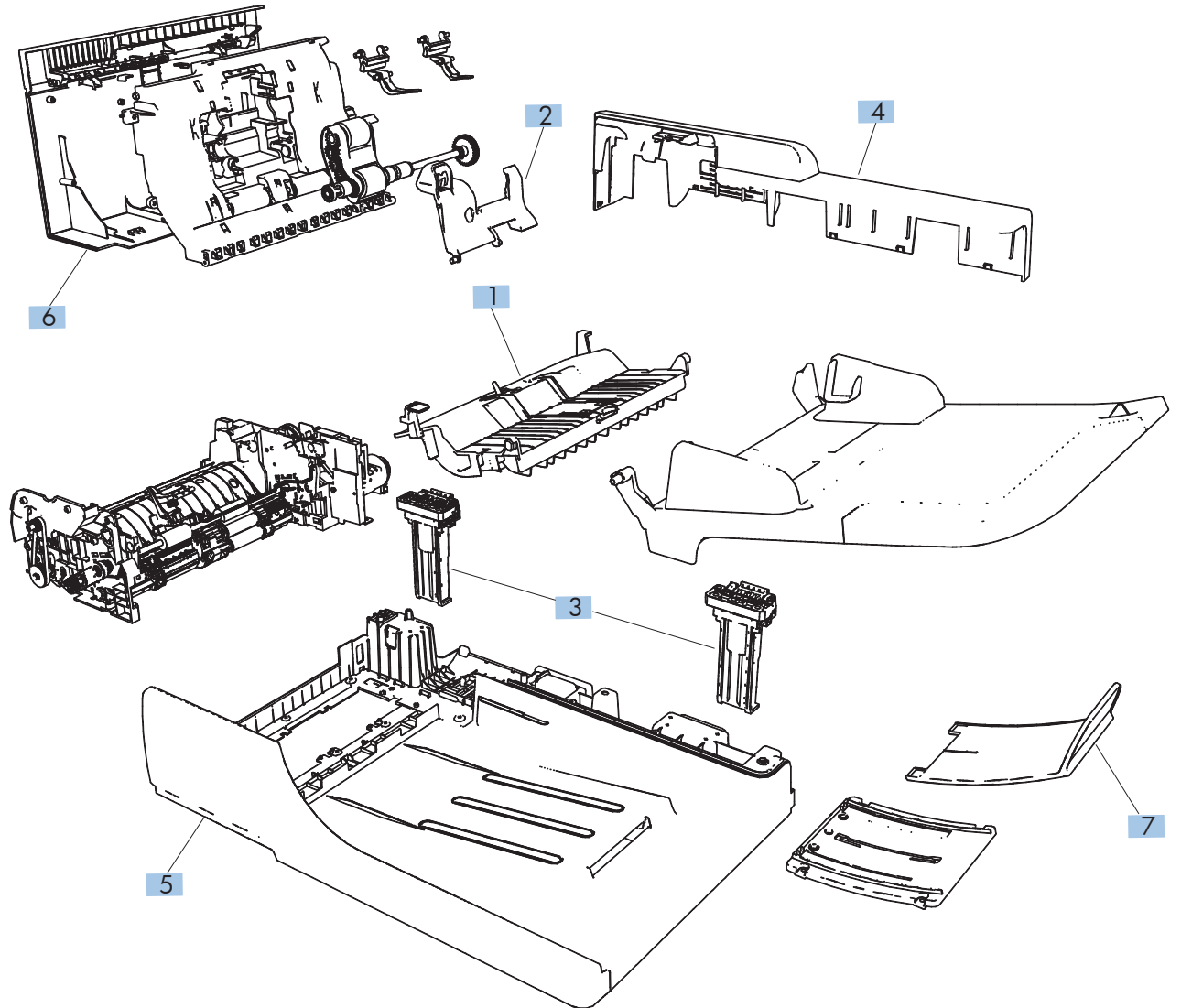


**Table 2-13 Document feeder, control panel, and scanner whole units**

<b>Ref</b>	<b>Description</b>	<b>Part number</b>	<b>Qty</b>
1	Kit, ADF whole unit, A3 (includes foam reflector kit)	CF066-67910	1
2	Kit, control panel	CD644-67916	1
3	Kit, scanner whole unit (includes foam reflector kit)	CF066-67906	1
4	Kit, reflector foam, A3	5851-4888	1

# Document feeder assemblies

Figure 2-9 Document feeder assemblies



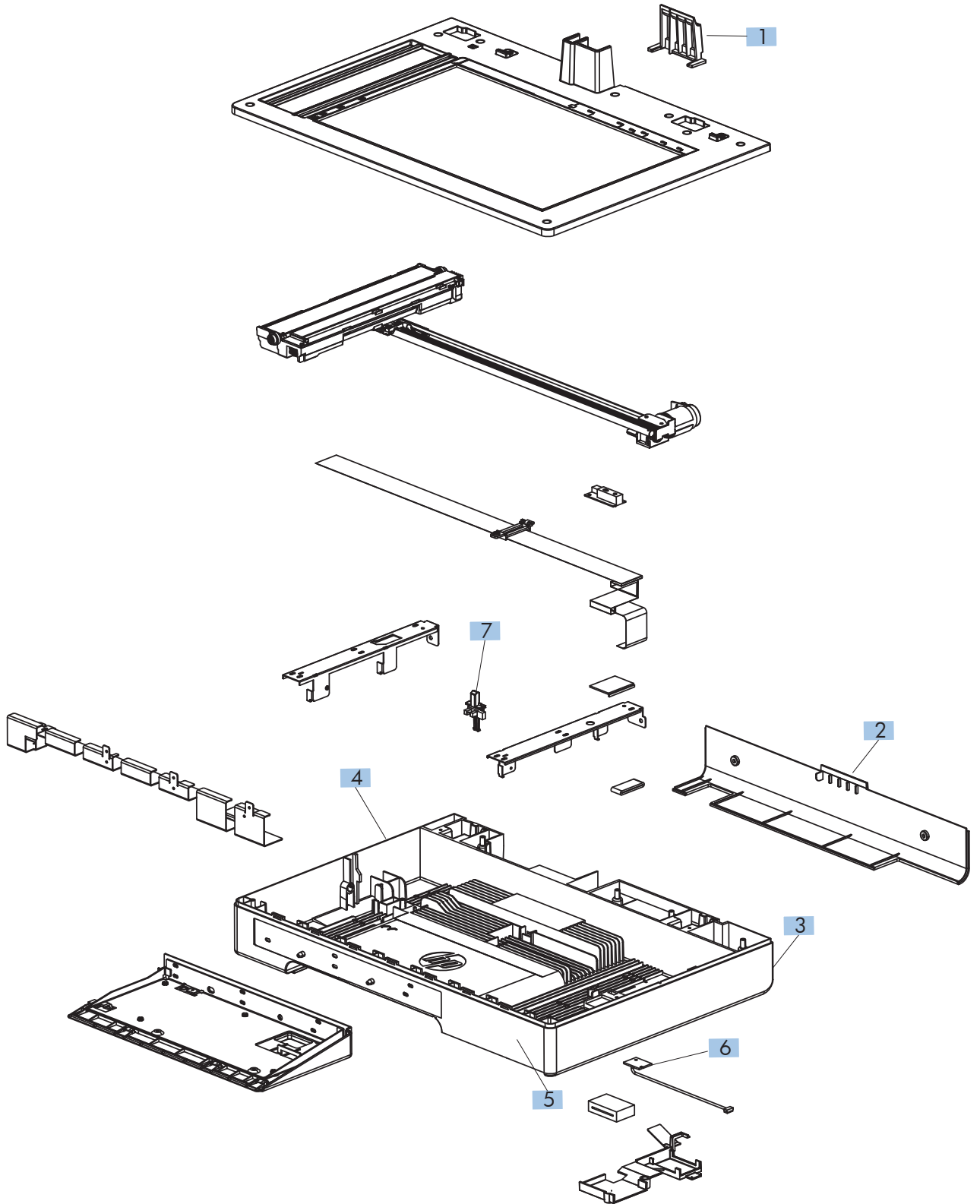
**Table 2-14 Document feeder assemblies**

<b>Ref</b>	<b>Description</b>	<b>Part number</b>	<b>Qty</b>
All shown	Kit, ADF whole unit, A3 (includes foam reflector kit)	CF066-67910	1
1	Kit, ADF separation pad spring	5851-4879	1
2	ADF roller cover, A3	CQ819-40032	1
3	ADF hinge assembly	CQ819-60011	2
4	Cover, ADF rear	CQ819-40005	1
5	Cover, ADF front	CQ819-40003	1
6	Cover, hatch	CQ819-40004	1
7	ADF tray extender	Q7404-40020	1
Not shown	Photosensor	CC355-80014	1
Not shown	Width sensor PCA	CQ819-60022	1
Not shown	Media Stopper, front	CC355-40046	1
Not shown	Media Stopper, rear	CC355-40047	1
Not shown	Kit, A3 ADF mylar	5851-4997	1
Not shown	Flag, media presence	CC355-40015	1



# Scanner assemblies

Figure 2-10 Scanner assemblies



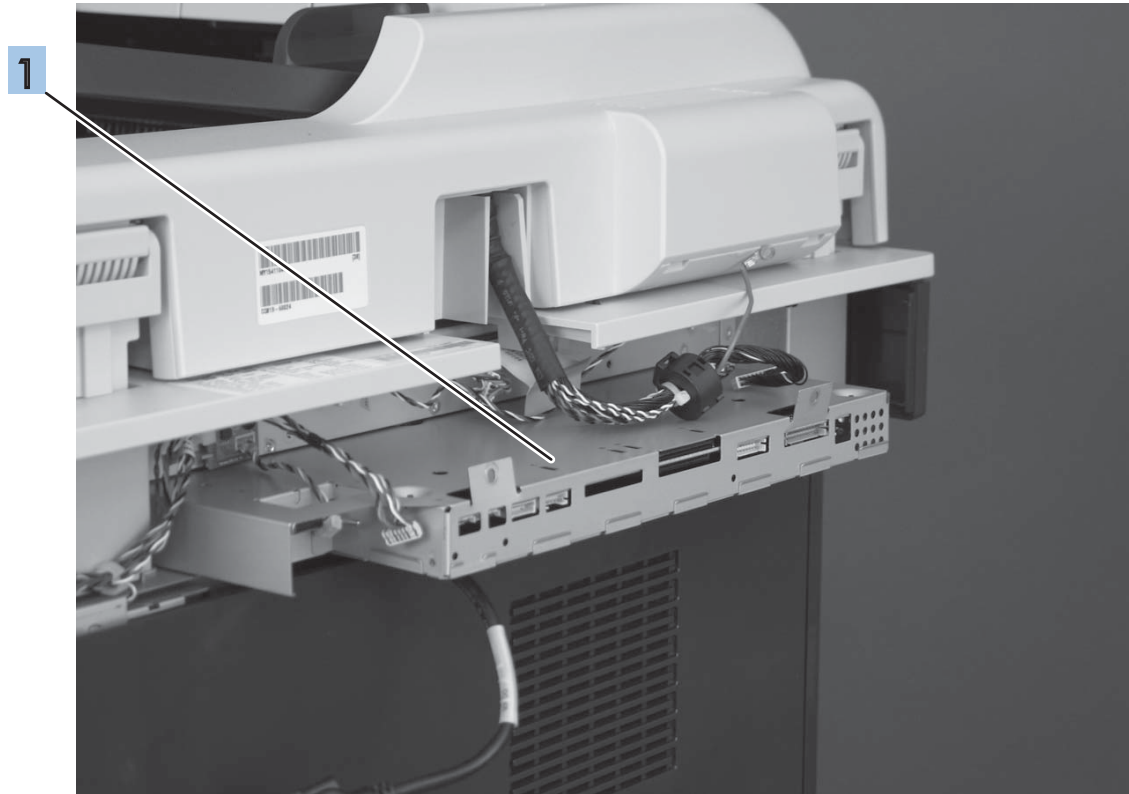
**Table 2-15 Scanner assemblies**

<b>Ref</b>	<b>Description</b>	<b>Part number</b>	<b>Qty</b>
All shown	Kit, scanner whole unit (includes foam reflector kit) <sup>1</sup>	CF066-67906	1
1	Cover, ADF cable	CC522-40023	1
2	Cover, back scanner	CC522-40017	1
3	Cover, right scanner	CF066-40002	1
4	Cover, front scanner	CF066-40001	1
5	Cover, left scanner	CC522-40021	1
6	PCA, scanner memory	5851-4285	1
7	Flag, document feeder open sensor	CC522-40029	1
Not shown	Spring, document feeder sensor	CC522-80101	1
Not shown	Photosensor	1990-3366	1

<sup>1</sup> Does not include the scan control board (SCB).

# Scanner controller board (SCB)

Figure 2-11 Scanner controller board (SCB)



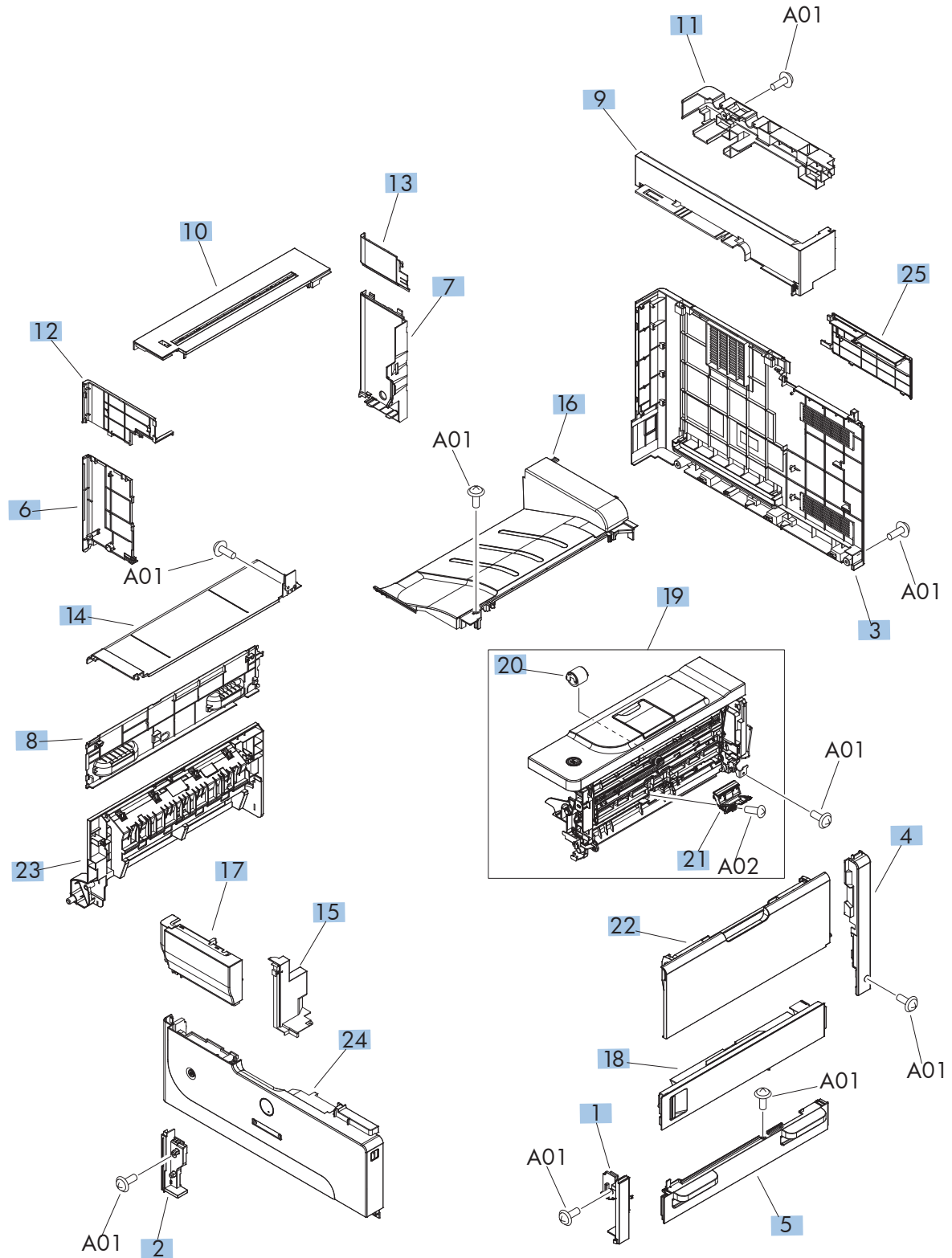
**Table 2-16 Scanner controller board (SCB) assembly**

<b>Ref</b>	<b>Description</b>	<b>Part number</b>	<b>Qty</b>
1	SCB, top level assembly	CF066-67911	1

# Print engine

## External covers and panels

Figure 2-12 External covers and panels

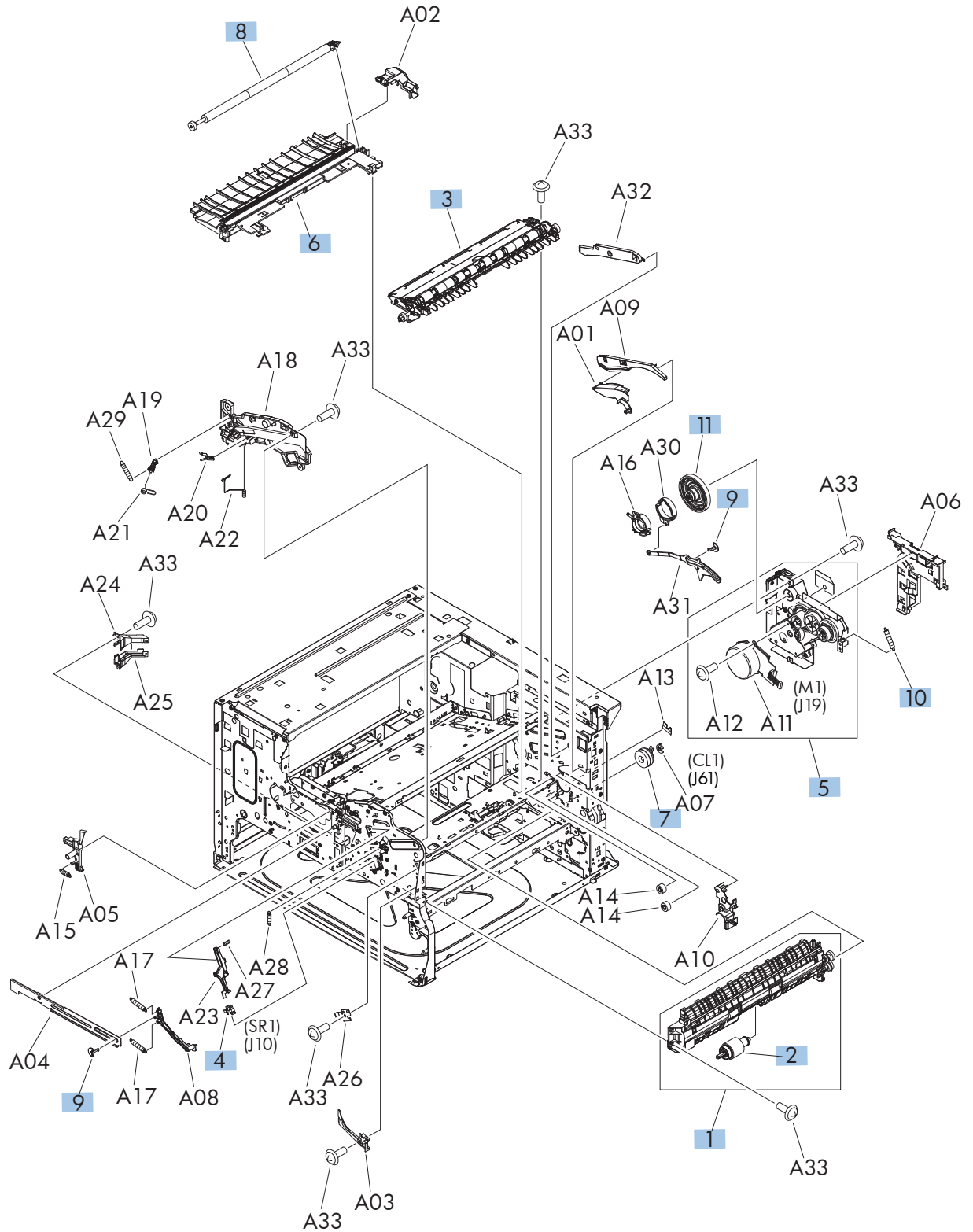


**Table 2-17 External covers and panels**

<b>Ref</b>	<b>Description</b>	<b>Part number</b>	<b>Qty</b>
1	Cover, front, right lower	RC3-2133-000CN	1
2	Cover, front, left lower	RC3-2134-000CN	1
3	Cover, rear	RC3-2138-000CN	1
4	Cover, right side, rear	RC3-2148-000CN	1
5	Cover, right handle	RC3-2153-000CN	1
6	Cover, left side, front, lower	RC3-2154-000CN	1
7	Cover, left side, rear, lower	RC3-2155-000CN	1
8	Cover, left handle	RC3-2156-000CN	1
9	Cover, top, rear	RC3-2159-000CN	1
10	Cover, output, top	RC3-2160-000CN	1
11	Cover, rear, top	RC3-2161-000CN	1
12	Cover, left side, front, upper	RC3-2163-000CN	1
13	Cover, left side, rear, upper	RC3-2164-000CN	1
14	Cover, left, upper	RC3-2272-000CN	1
15	Cover, facedown side	RC3-2273-000CN	1
16	Facedown cover assembly	RM1-8654-000CN	1
17	Upper front cover assembly	RM1-8656-000CN	1
18	Right door assembly	RM1-8657-000CN	1
19	Cartridge door assembly	RM1-8660-000CN	1
20	Roller, paper pickup, multipurpose tray (part of Tray 1 pickup roller and separation pad kit)	CF235-67906	1
21	Multipurpose separation pad assembly (part of Tray 1 pickup roller and separation pad kit)	CF235-67906	1
22	Multipurpose tray (Tray 1) cover assembly	RM1-8662-000CN	1
23	Left door assembly	RM1-8680-000CN	1
24	Front cover assembly kit (includes product labels)	CF235-67905	1
25	Rear pocket cover assembly	RM1-9831-000CN	1

# Internal components (1 of 4)

Figure 2-13 Internal components (1 of 4)



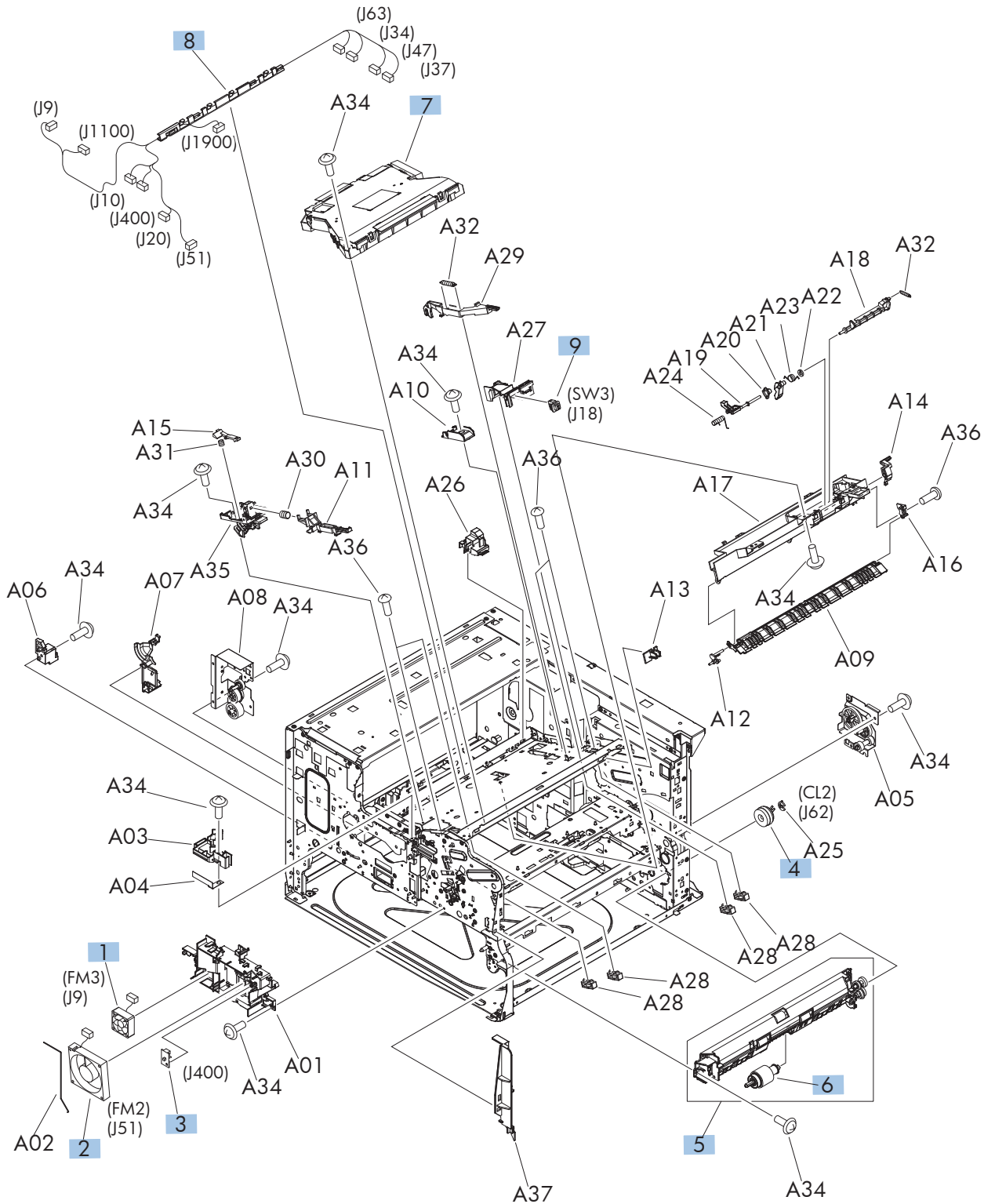
**Table 2-18 Internal components (1 of 4)**

<b>Ref</b>	<b>Description</b>	<b>Part number</b>	<b>Qty</b>
1	Upper cassette (Tray 2) pickup assembly	RM2-0182-000CN	1
2	Roller, cassette pickup (part of Tray 2 or 3 pickup roller and separation pad kit)	CF235-67909	1
3	Registration assembly	RM1-8671-000CN	1
4	Photointerrupter	WG8-5935-000CN	1
5	Main drive assembly	RM2-0184-000CN	1
6	Paper feed assembly	RM1-8741-000CN	1
7	Clutch, electromagnetic	RM1-8946-000CN	1
8	Transfer roller assembly kit	CF235-67910	1
9	Stopper, link	RC3-2212-000CN	2
10	Spring, tension	RU5-2632-000CN	1
11	Gear, 133T	RU7-0350-000CN	1



## Internal components (2 of 4)

Figure 2-14 Internal components (2 of 4)

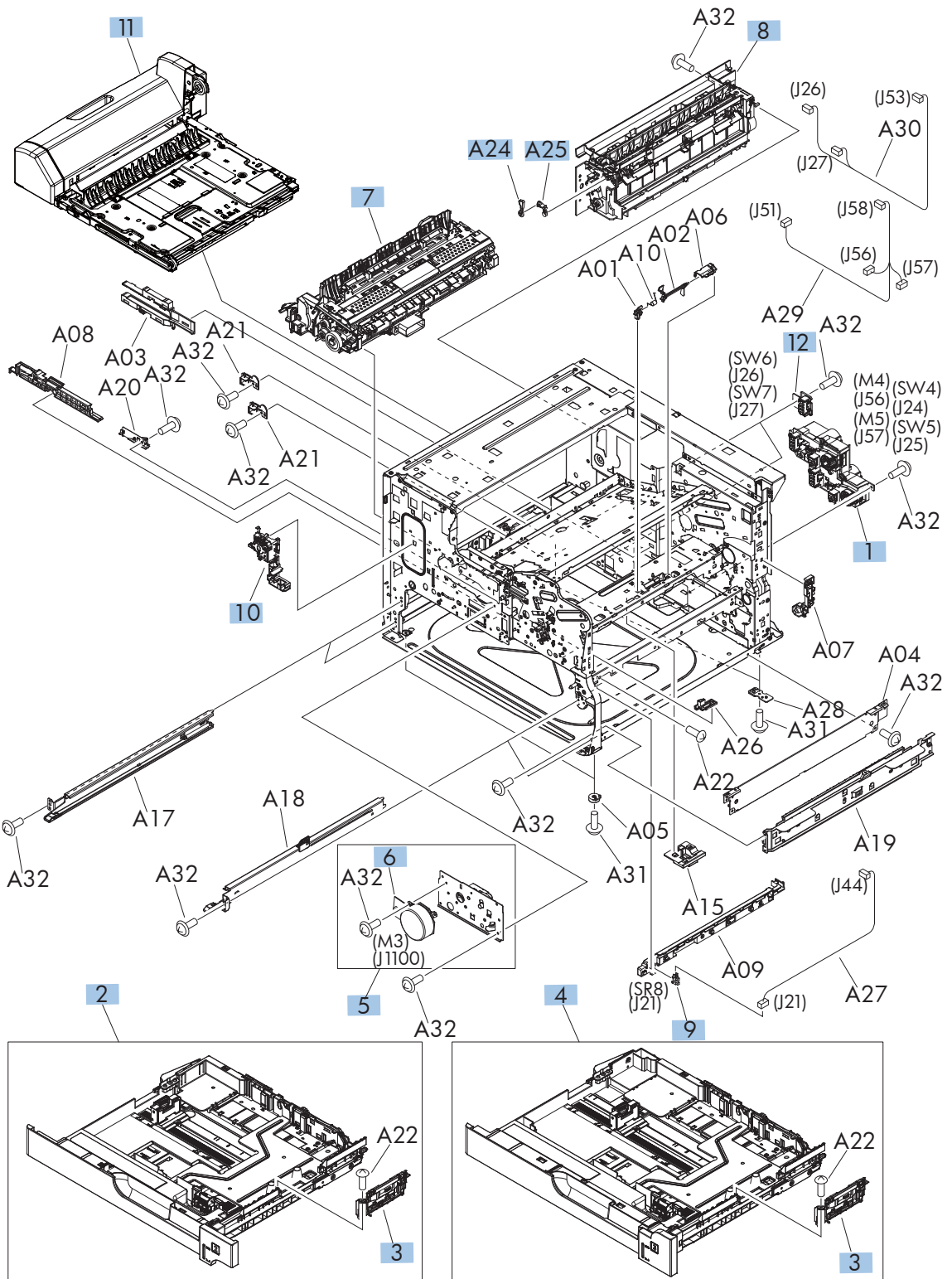


**Table 2-19 Internal components (2 of 4)**

<b>Ref</b>	<b>Description</b>	<b>Part number</b>	<b>Qty</b>
1	Fan	RK2-1092-000CN	1
2	Fan	RK2-3244-000CN	1
3	Sensor, humidity	WP2-5316-000CN	1
4	Clutch, electromagnetic	RM1-8946-000CN	1
5	Lower cassette (Tray 3) pickup assembly	RM2-0183-000CN	1
6	Roller, cassette pickup (part of Tray 2 or 3 pickup roller and separation pad kit)	CF235-67909	1
7	Laser scanner assembly	RM1-8679-000CN	1
8	Cable, multi, front	RM1-8971-000CN	1
9	Cartridge door open switch	WC2-5637-000CN	1

# Internal components (3 of 4)

Figure 2-15 Internal components (3 of 4)

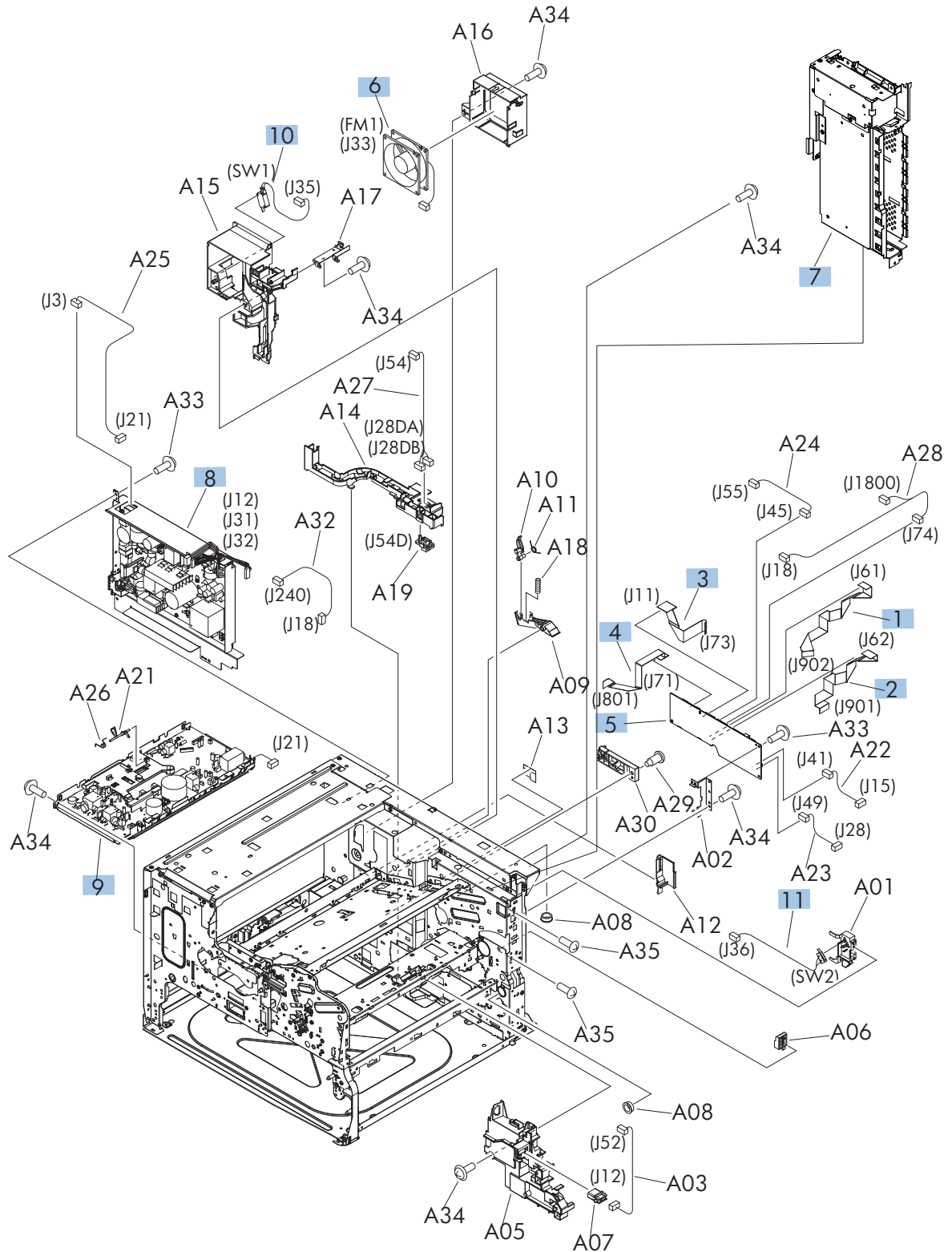


**Table 2-20 Internal components (3 of 4)**

<b>Ref</b>	<b>Description</b>	<b>Part number</b>	<b>Qty</b>
1	Lifter drive assembly	RM1-2969-000CN	1
2	Upper cassette (Tray 2) assembly kit	CF235-67911	1
3	Separation pad assembly (part of Tray 2 or 3 pickup roller and separation pad kit)	CF235-67909	2
4	Lower cassette (Tray 3) assembly kit	CF235-67912	1
5	Fuser drive assembly	RM1-2963-000CN	1
6	Fuser motor assembly	RM1-2538-000CN	1
7	Fuser assembly kit (110V)	CF235-67921	1
7	Fuser assembly kit (220V)	CF235-67922	1
8	Paper delivery assembly Kit	CF066-67909	1
9	Photointerrupter	WG8-5935-000CN	1
10	Power switch PCA	RM2-7561-000CN	1
11	Duplexer, optional accessory	CF235-67913	1
12	Back end sensor	RM1-2968-000CN	1
A24	Link, face down flapper 1	RC3-2209-000CN	1
A25	Link, face down flapper 2	RC3-2210-000CN	1

## Internal components (4 of 4)

Figure 2-16 Internal components (4 of 4)



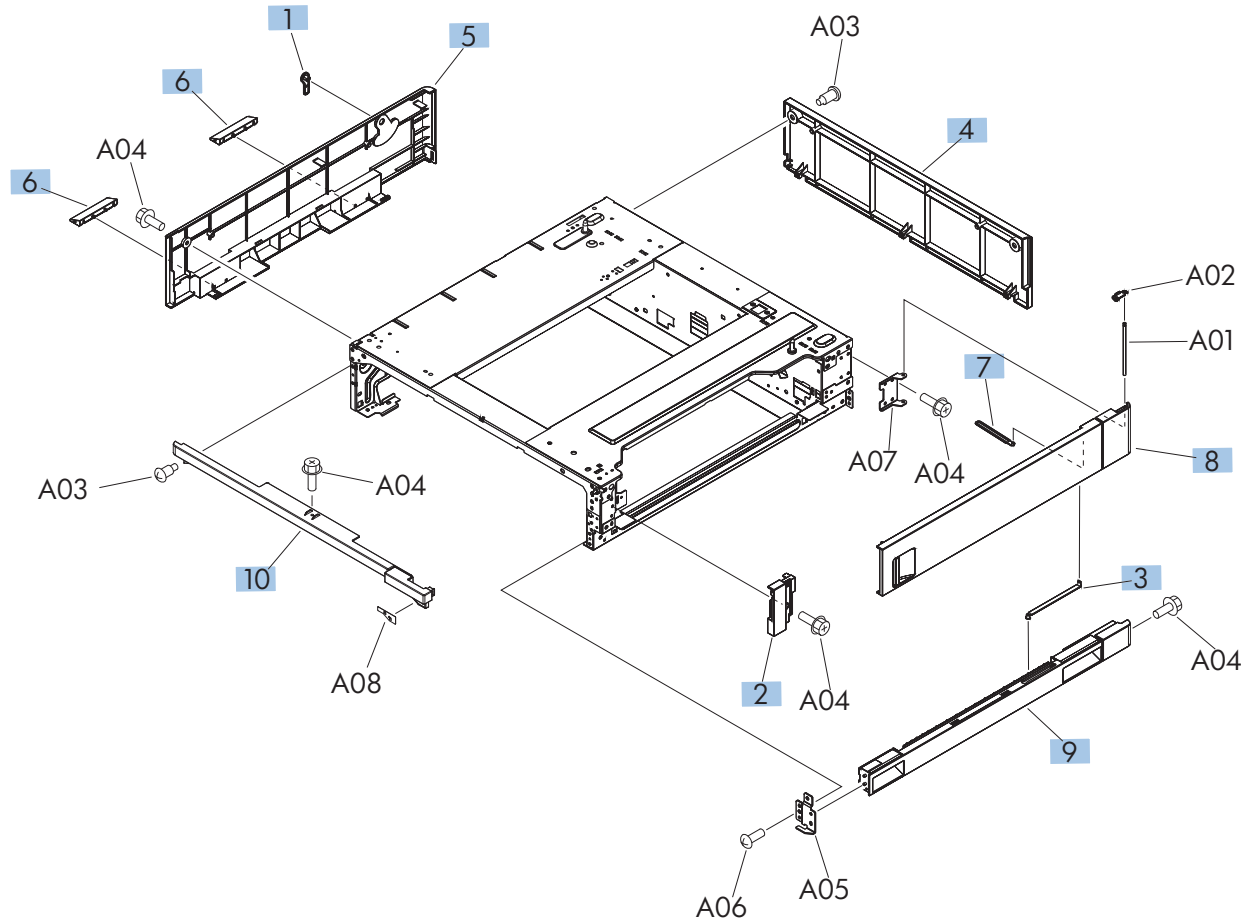
**Table 2-21 Internal components (4 of 4)**

<b>Ref</b>	<b>Description</b>	<b>Part number</b>	<b>Qty</b>
1	Cable, flexible flat, 21P	RK2-4490-000CN	1
2	Cable, flexible flat, 23P	RK2-4492-000CN	1
3	Cable, flexible flat, 25P	RK2-4494-000CN	1
4	Cable, flexible flat, 15P	RK2-4496-000CN	1
5	DC controller PCA	RM1-8934-000CN	1
6	Fan	RK2-2416-000CN	1
7	Formatter cage	RM1-8682-000CN	1
8	Low-voltage power supply (110V)	RM1-8744-000CN	1
8	Low-voltage power supply (220V)	RM1-8745-000CN	1
9	High-voltage power supply (110V)	RM2-7538-000CN	1
9	High-voltage power supply (220V)	RM2-7539-000CN	1
10	Switch, fuser (left) door	RM1-3474-000CN	1
11	Switch, cartridge door	RM1-3471-000CN	1

# 500-sheet paper feeder (Tray 4)

## 500-sheet paper feeder (Tray 4) covers

Figure 2-17 500-sheet paper feeder (Tray 4) covers



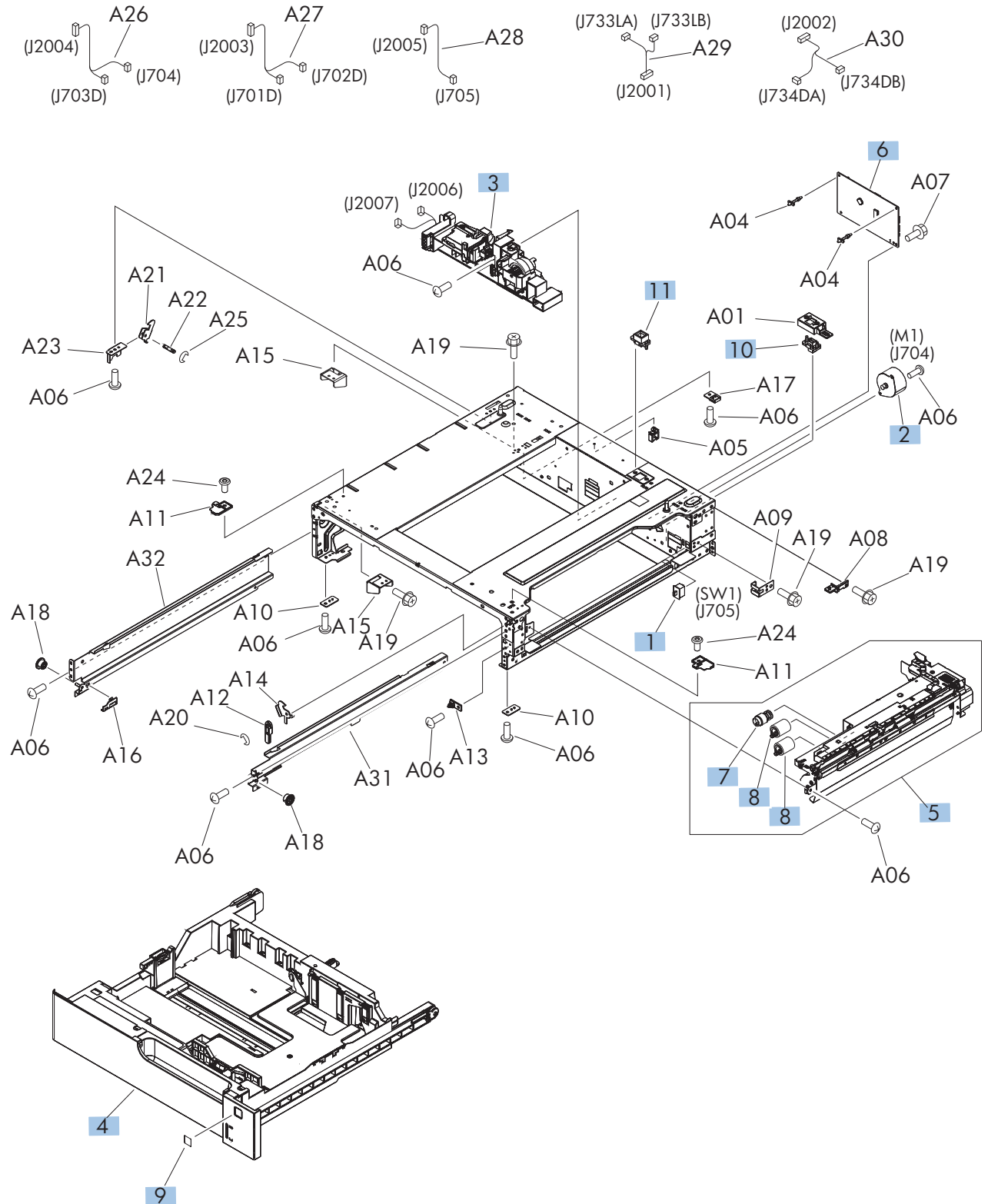
**Table 2-22 500-sheet paper feeder (Tray 4) covers**

<b>Ref</b>	<b>Description</b>	<b>Part number</b>	<b>Qty</b>
	Optional 500-sheet tray and feeder assembly kit	CF235-67914	1
1	Handle, lock, rear	RC2-9303-000CN	1
2	Cover, right front	RC2-9320-000CN	1
3	Link, right door, lower	RC2-9327-000CN	1
4	Cover, rear	RC2-9330-000CN	1
5	Cover, left	RC2-9331-000CN	1
6	Cover, handle lower	RC2-9332-000CN	2
7	Link, right door, upper	RC2-9335-000CN	1
8	Right door assembly	RM1-6946-000CN	1
9	Right lower cover assembly	RM1-6948-000CN	1
10	Front upper cover assembly	RM1-6949-000CN	1



## 500-sheet paper feeder (Tray 4) components

Figure 2-18 500-sheet paper feeder (Tray 4) components



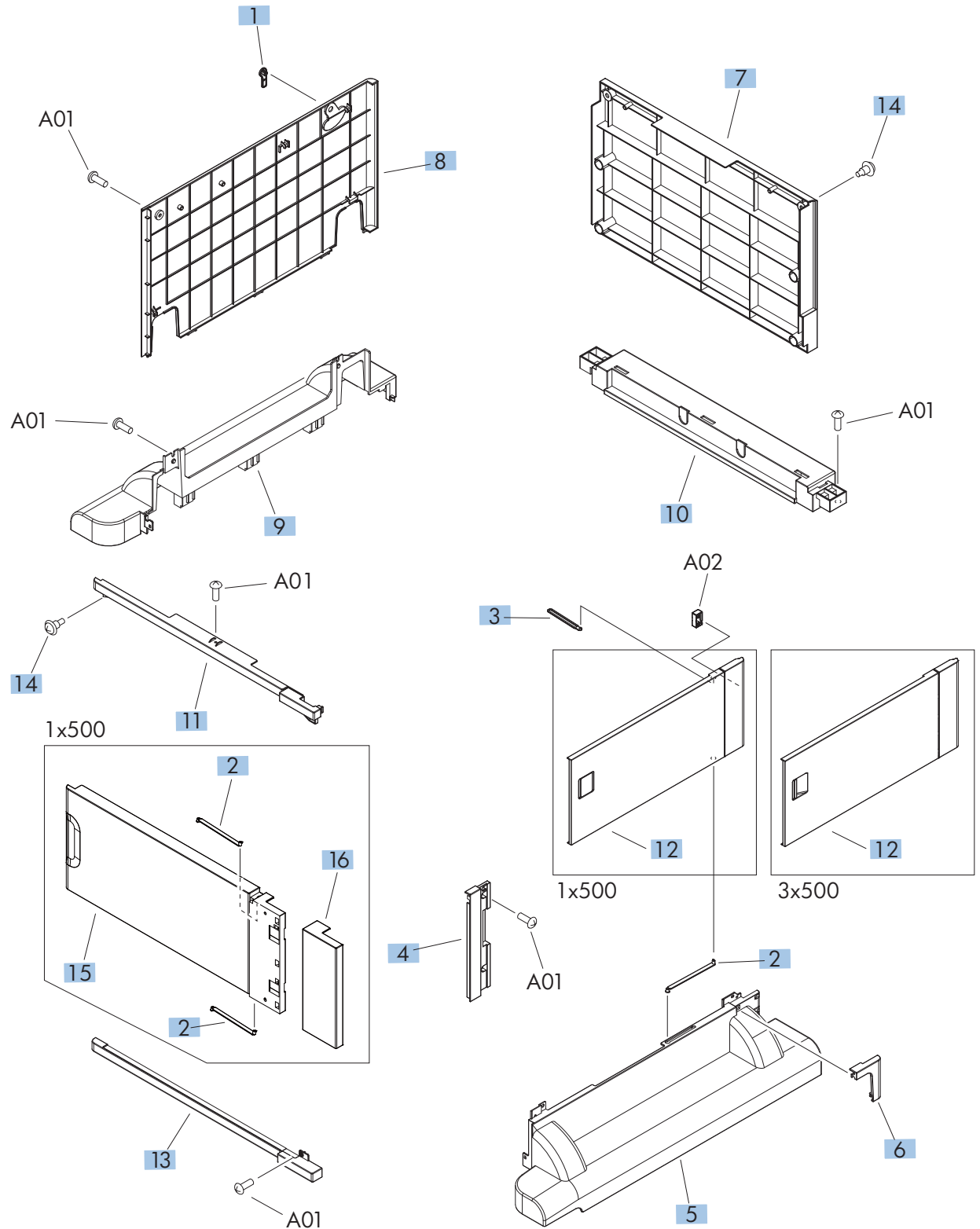
**Table 2-23 500-sheet paper feeder (Tray 4) components**

<b>Ref</b>	<b>Description</b>	<b>Part number</b>	<b>Qty</b>
1	Switch, button	WC2-5512-000CN	1
2	Motor, stepping, DC	RK2-1331-000CN	1
3	Lifter drive assembly	RM1-3819-000CN	1
4	Cassette assembly kit, with Trays 2-6 label kit	CF235-67917	1
5	Paper pickup assembly	RM1-9415-000CN	1
6	Paper feeder controller PCA	RM1-9074-000CN	1
7	Roller, pickup (part of Trays 4, 5 and 6 pickup and feed roller kit)	CC522-67909	4
8	Paper feed roller assembly (part of Trays 4,5 and 6 pickup and feed roller kit)	CC522-67909	8
9	Labels, cassette numbers, Trays 2-6	5851-5600	1
10	Connector, 8P	VS1-7514-008CN	1
11	Connector, 8P	VS1-7500-008CN	1

# 1x500 and 3x500 paper deck

## 1x500 and 3x500 paper deck covers

Figure 2-19 1x500 and 3x500 paper deck covers

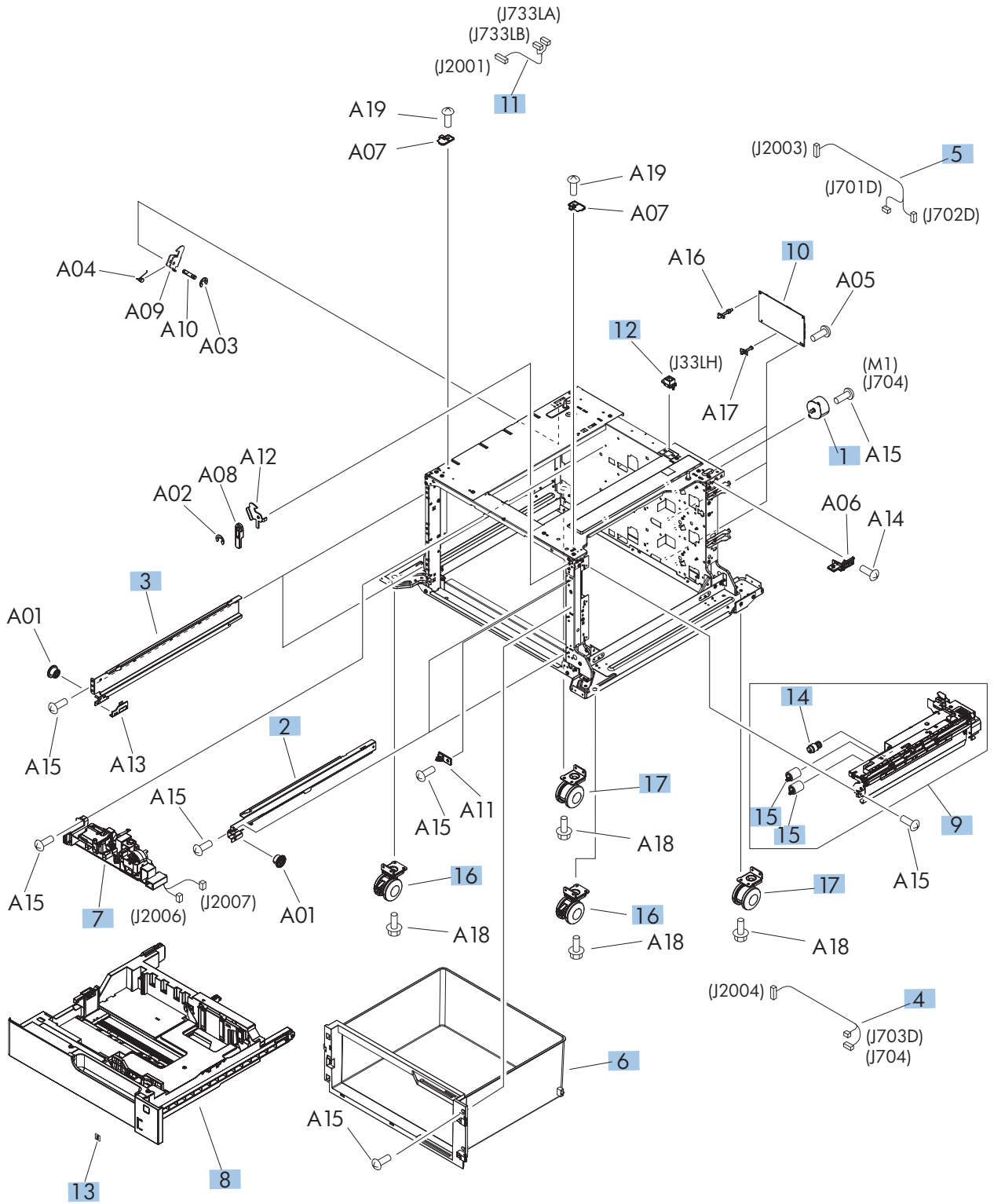


**Table 2-24 1x500 and 3x500 paper deck covers**

<b>Ref</b>	<b>Description</b>	<b>Part number</b>	<b>Qty</b>
	1x500 feeder and stand assembly kit	CF235-67915	1
	3x500 feeder and stand assembly kit	CF235-67916	1
1	Handle, lock, rear	RC2-9303-000CN	1
2	Link, right door, lower	RC2-9327-000CN	3
3	Link, right door, upper	RC2-9335-000CN	1
4	Cover, right corner	RC2-9343-000CN	1
5	Cover, right lower, 1	RC2-9346-000CN	1
6	Cover, right lower, 2	RC2-9347-000CN	1
7	Cover, rear	RC2-9348-000CN	1
8	Cover, left	RC2-9349-000CN	1
9	Cover, left lower	RC2-9350-000CN	1
10	Cover, rear lower	RC2-9357-000CN	1
11	Front upper cover assembly	RM1-6949-000CN	1
12	Right door assembly (1x500 paper deck)	RM1-6952-000CN	1
12	Right door assembly (3x500 paper deck)	RM1-6953-000CN	1
13	Front lower cover assembly	RM1-6958-000CN	1
14	Screw, stepped	RU5-9056-000CN	3
15	Door, stock, 1 (1x500 paper deck only)	RC2-9353-000CN	1
16	Door, stock, 2 (1x500 paper deck only)	RC2-9354-000CN	1

# 1x500 paper deck components

Figure 2-20 1x500 paper deck components

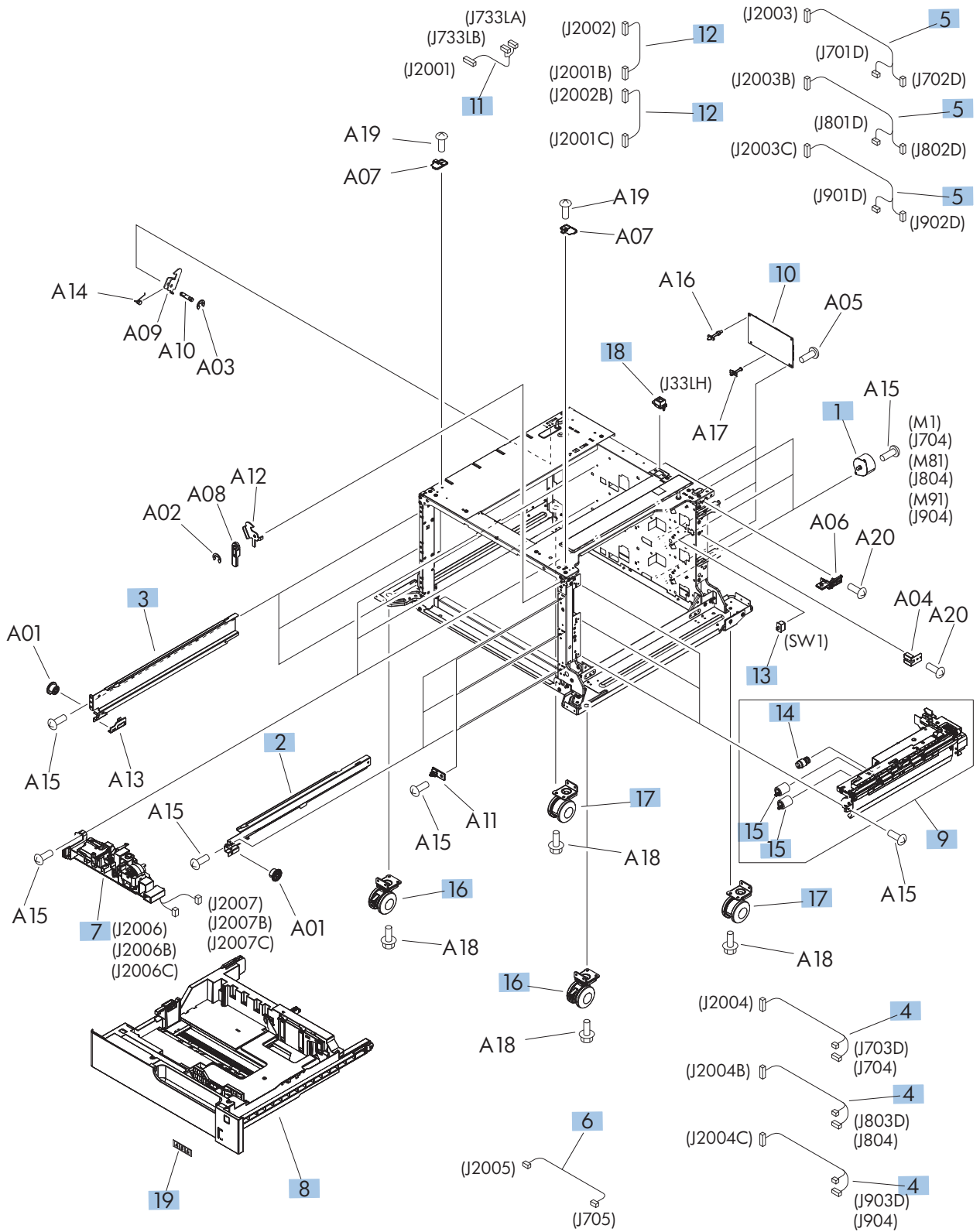


**Table 2-25 1x500 paper deck components**

<b>Ref</b>	<b>Description</b>	<b>Part number</b>	<b>Qty</b>
1	Motor, stepping, DC	RK2-1331-000CN	1
2	Rail, cassette, right	RL1-1390-000CN	2
3	Rail, cassette, left	RL1-1391-000CN	2
4	Cable, paper pickup option	RM1-3575-000CN	1
5	Cable, multisensor	RM1-3647-000CN	1
6	Stock box assembly	RM1-6954-000CN	1
7	Lifter drive assembly	RM1-3819-000CN	1
8	Cassette assembly kit, with Trays 2-6 label kit	CF235-67917	1
9	Paper pickup assembly	RM1-9415-000CN	1
10	Controller PCA	RM1-9075-000CN	1
11	Cable, engine interface	RM1-6991-000CN	1
12	Connector, 8P	VS1-7500-008CN	1
13	Labels, cassette numbers, Trays 2-6	5851-5600	1
14	Roller, pickup (part of Trays 4,5 and 6 pickup and feed roller kit)	CC522-67909	4
15	Paper feed roller assembly (part of Trays 4,5 and 6 pickup and feed roller kit)	CC522-67909	8
16	Caster, double lock, front	RC1-9896-000CN	2
17	Caster, rear	RC3-2994-000CN	2

# 3x500 paper deck components

Figure 2-21 3x500 paper deck components



**Table 2-26 3x500 paper deck components**

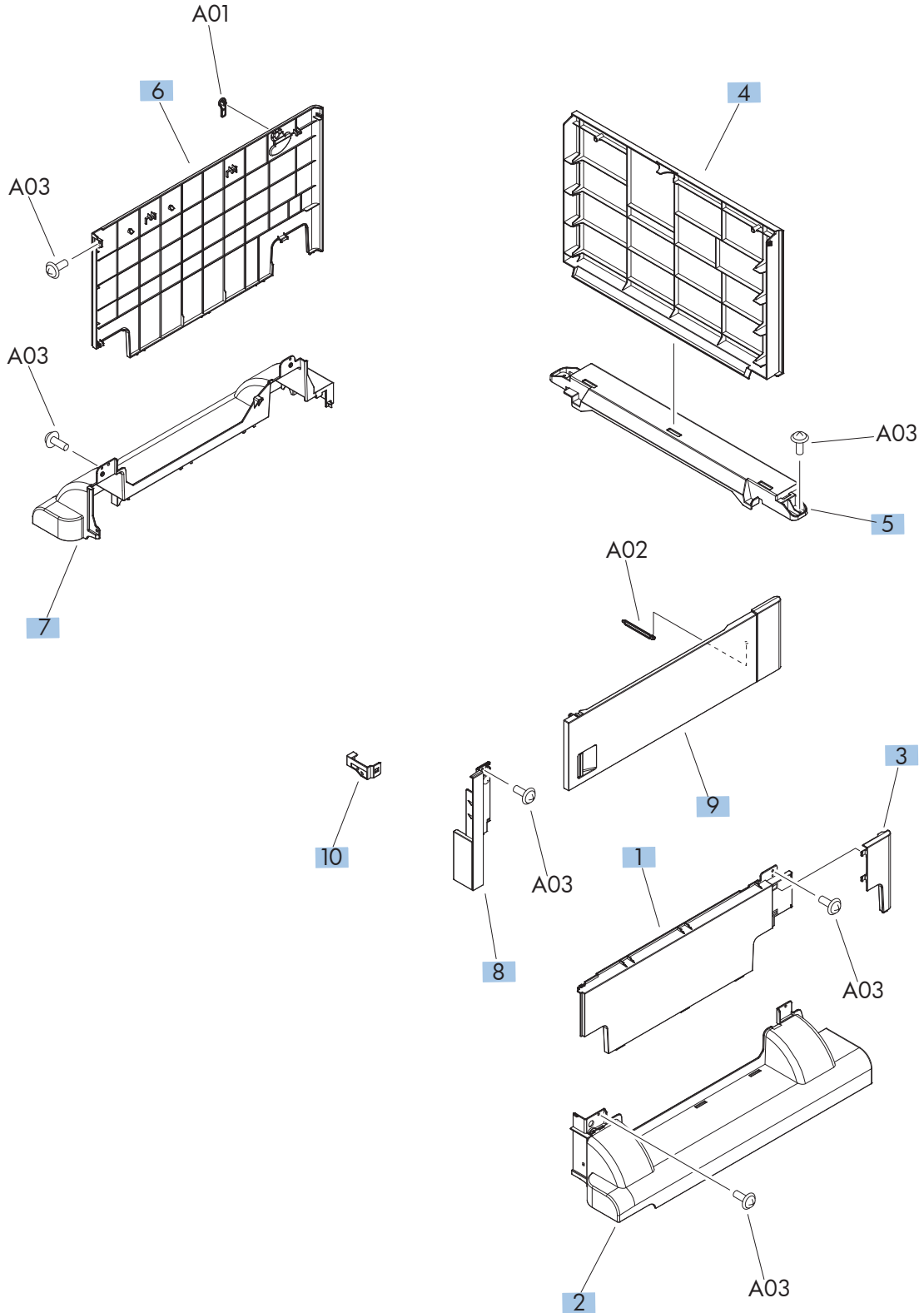
<b>Ref</b>	<b>Description</b>	<b>Part number</b>	<b>Qty</b>
1	Motor, stepping, DC	RK2-1331-000CN	3
2	Rail, cassette, right	RL1-1390-000CN	3
3	Rail, cassette, left	RL1-1391-000CN	3
4	Cable, paper pickup option	RM1-3575-000CN	3
5	Cable, multi sensor	RM1-3647-000CN	3
6	Cable, door open switch	RM1-3651-000CN	1
7	Lifter drive assembly	RM1-3819-000CN	3
8	Cassette assembly kit, with Trays 2-6 label kit	CF235-67917	3
9	Paper pickup assembly	RM1-9415-000CN	3
10	Controller PCA	RM1-9076-000CN	1
11	Cable, engine interface	RM1-6991-000CN	1
12	Cable, PCA joint	RM1-6992-000CN	2
13	Switch, button	WC2-5512-000CN	1
14	Roller, pickup (part of Trays 4,5 and 6 pickup and feed roller kit)	CC522-67909	4
15	Paper feed roller assembly (part of Trays 4,5 and 6 pickup and feed roller kit)	CC522-67909	8
16	Caster, double lock, front	RC1-9896-000CN	2
17	Caster, rear	RC3-2994-000CN	2
18	Connector, 8P	VS1-7500-008CN	1
19	Labels, cassette numbers, Trays 2-6	5851-5600	1



# High capacity input (HCI) feeder

## HCI covers

Figure 2-22 HCI covers

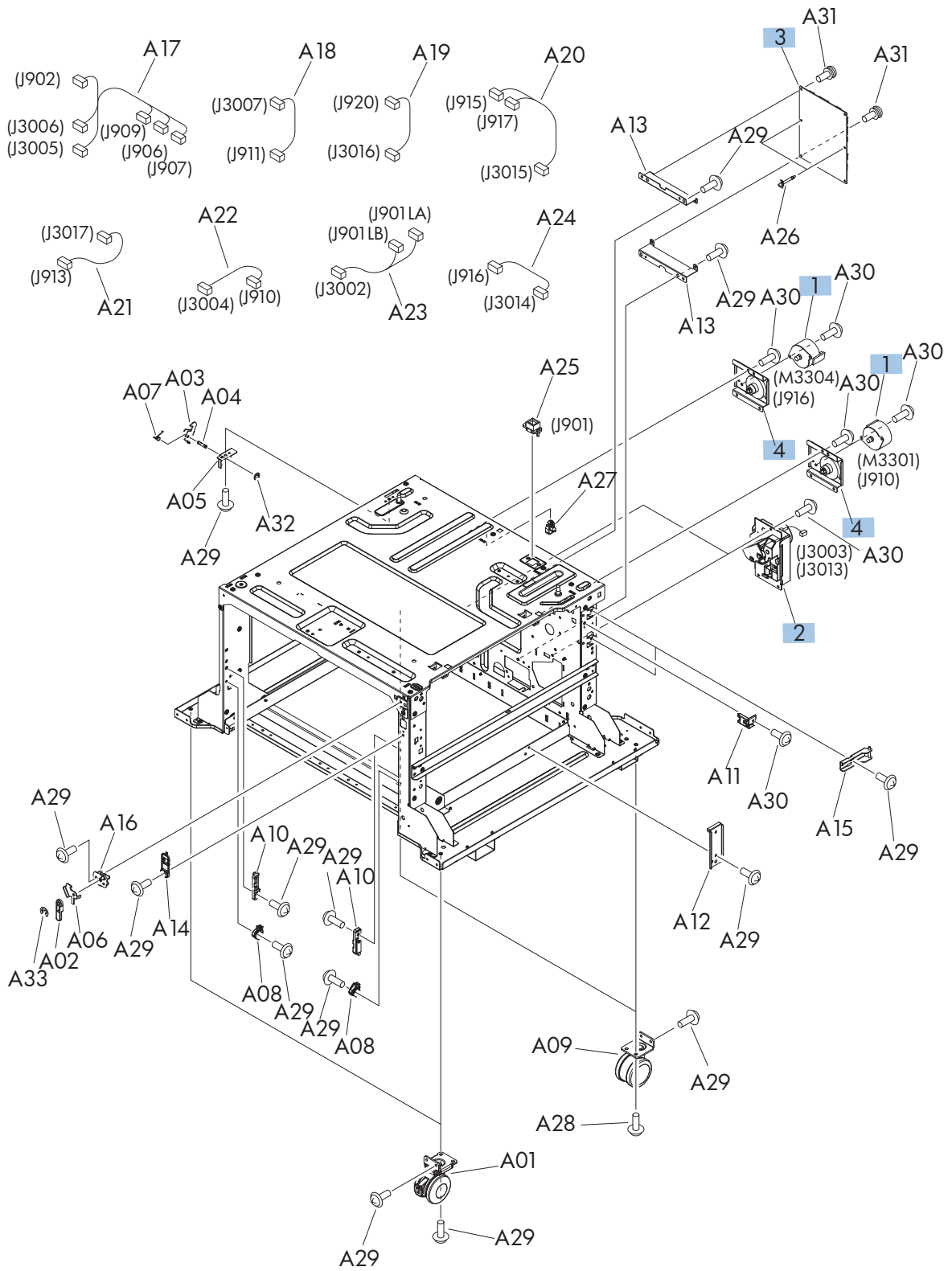


**Table 2-27 HCI covers**

<b>Ref</b>	<b>Description</b>	<b>Part number</b>	<b>Qty</b>
	3,500-sheet HCI feeder assembly kit	CC235-67918	1
1	Cover, right center	RC3-3000-000CN	1
2	Cover, right lower	RC3-3001-000CN	1
3	Cover, right rear	RC3-3002-000CN	1
4	Cover, rear	RC3-3003-000CN	1
5	Cover, rear lower	RC3-3004-000CN	1
6	Cover, left	RC3-3005-000CN	1
7	Cover, left lower	RC3-3006-000CN	1
8	Cover, corner, right	RC3-3009-000CN	1
9	Right door assembly	RM1-8868-000CN	1
10	Right front lock cover assembly	RM1-9416-000CN	1

# HCI components (1 of 2)

Figure 2-23 HCI components (1 of 2)

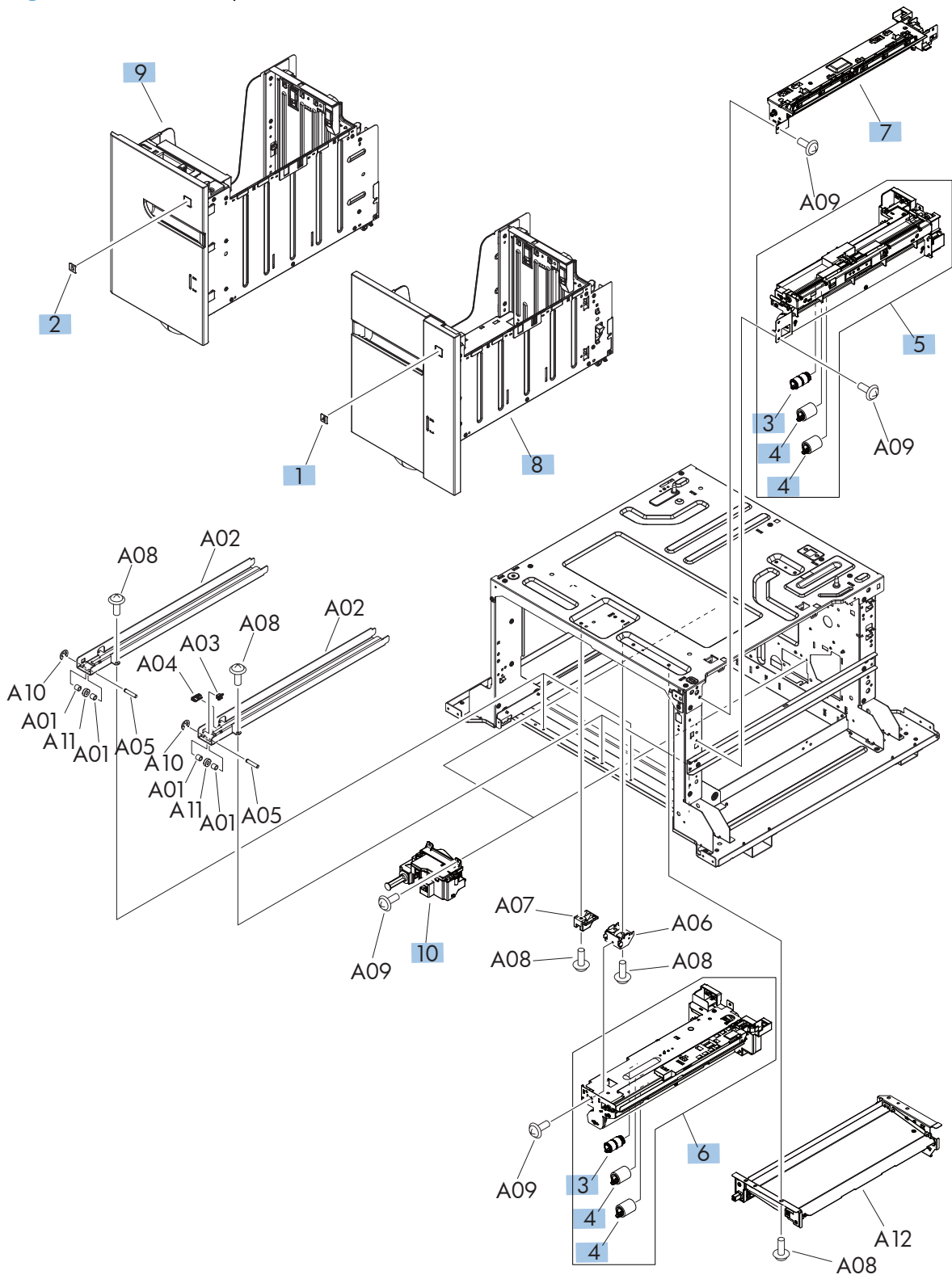


**Table 2-28 HCI components (1 of 2)**

<b>Ref</b>	<b>Description</b>	<b>Part number</b>	<b>Qty</b>
1	Motor, stepping, DC	RK2-1331-000CN	2
2	Lifter drive assembly	RM1-8879-000CN	2
3	Controller PCA	RM1-9057-000CN	1
4	Paper pickup motor assembly	RM1-8872-000CN	2

## HCI components (2 of 2)

Figure 2-24 HCI components (2 of 2)



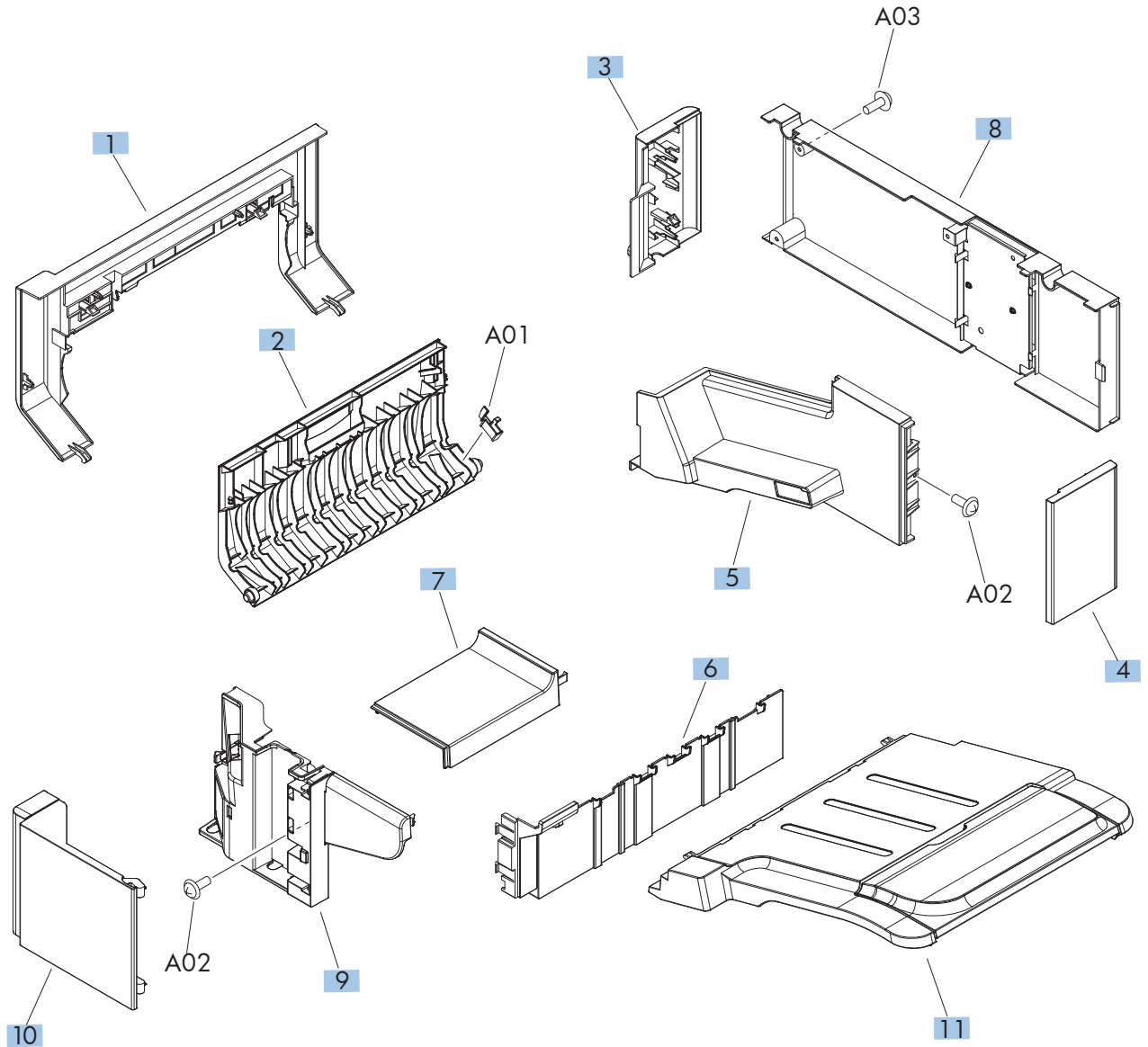
**Table 2-29 HCl components (2 of 2)**

<b>Ref</b>	<b>Description</b>	<b>Part number</b>	<b>Qty</b>
1	Labels, cassette numbers, Trays 2-6	5851-5600	1
2	Labels, cassette numbers, Trays 2-6	5851-5600	1
3	Roller, paper pickup (part of HCl pickup and feed roller kit)	5851-5011	2
4	Paper feed roller assembly (part of HCl pickup and feed roller kit)	5851-5011	4
5	Paper pickup assembly, right	RM1-8869-000CN	1
6	Paper pickup assembly, left	RM1-8876-000CN	1
7	Crossing paper feed assembly	RM1-8888-000CN	1
8	Tray, right assembly kit, with Trays 2-6 tray label kit	CF235-60104	1
9	Tray, left assembly kit, with Trays 2-6 tray label kit	CF235-60103	1
10	Auto close assembly	RM1-8880-000CN	2

# Stapler/stacker assembly

## Stapler/stacker covers

Figure 2-25 Stapler/stacker covers



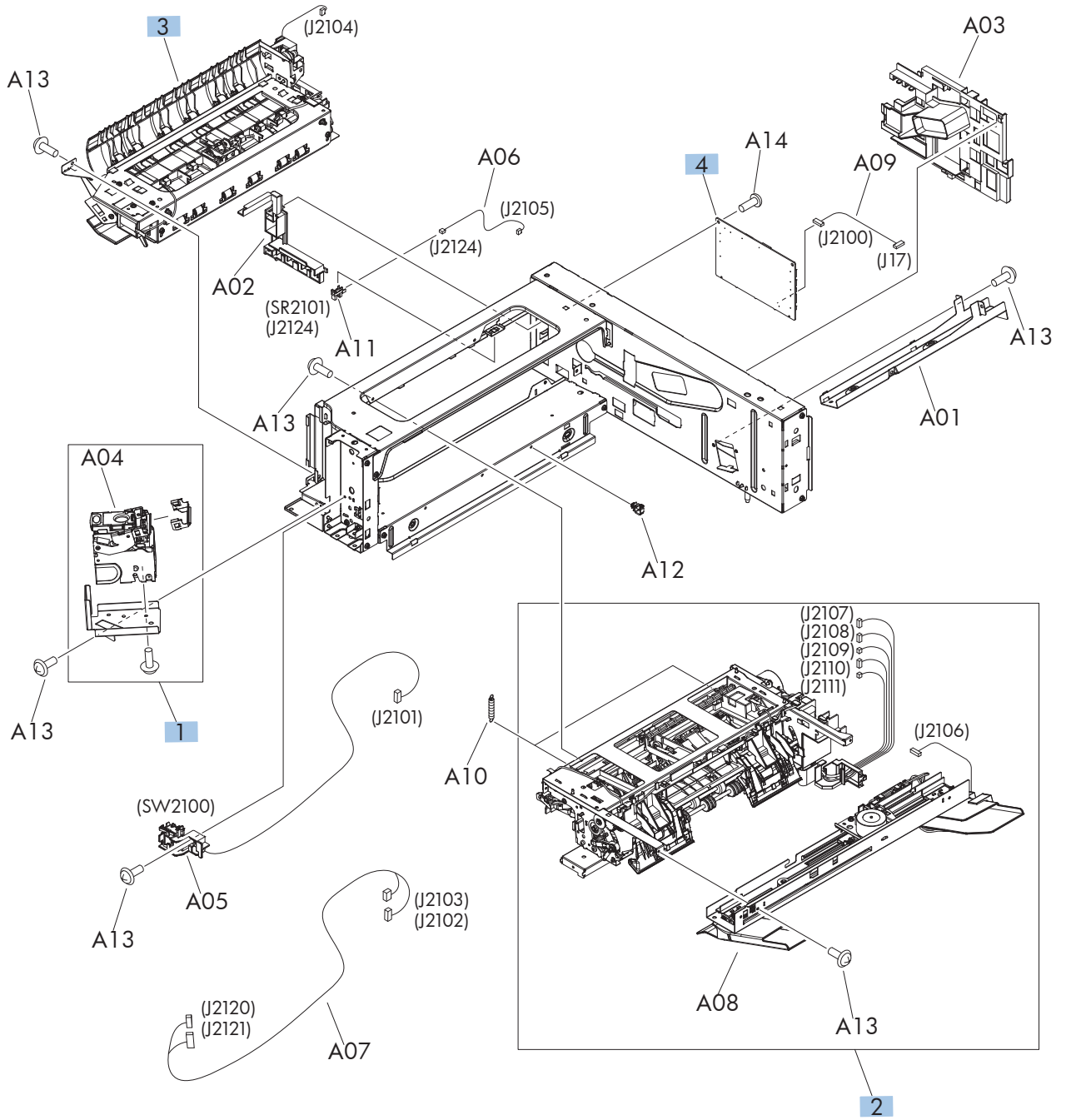
**Table 2-30 Stapler/stacker covers**

<b>Ref</b>	<b>Description</b>	<b>Part number</b>	<b>Qty</b>
1	Cover, left	RC3-2343-000CN	1
2	Door, left	RC3-2344-000CN	1
3	Cover, rear left	RC3-2346-000CN	1
4	Cover, rear right	RC3-2347-000CN	1
5	Cover, rear inner	RC3-2348-000CN	1
6	Cover, stack	RC3-2354-000CN	1
7	Cover, jog, top	RC3-2364-000CN	1
8	Rear cover assembly	RM1-8812-000CN	1
9	Stapler cover assembly	RM1-8813-000CN	1
10	Stapler door assembly	RM1-8814-000CN	1
11	Tray assembly	RM1-8815-000CN	1



# Stapler/stacker components

Figure 2-26 Stapler/stacker components



**Table 2-31 Stapler/stacker components**

<b>Ref</b>	<b>Description</b>	<b>Part number</b>	<b>Qty</b>
1	Stapler assembly	RM1-3092-000CN	1
2	Alignment assembly	RM1-8810-000CN	1
3	Paper feed assembly	RM1-8826-000CN	1
4	Stapler/stacker controller PCA	RM1-9078-000CN	1

# Alphabetical parts list

**Table 2-32 Alphabetical parts list**

<b>Description</b>	<b>Part number</b>	<b>Table and page</b>
1x500 feeder and stand assembly kit	CF235-67915	<a href="#">1x500 and 3x500 paper deck covers on page 297</a>
3,500-sheet HCl feeder assembly kit	CC235-67918	<a href="#">HCl covers on page 303</a>
3x500 feeder and stand assembly kit	CF235-67916	<a href="#">1x500 and 3x500 paper deck covers on page 297</a>
ADF hinge assembly	CQ819-60011	<a href="#">Document feeder assemblies on page 277</a>
ADF roller cover, A3	CQ819-40032	<a href="#">Document feeder assemblies on page 277</a>
ADF tray extender	Q7404-40020	<a href="#">Document feeder assemblies on page 277</a>
Alignment assembly	RM1-8810-000CN	<a href="#">Stapler/stacker components on page 311</a>
Auto close assembly	RM1-8880-000CN	<a href="#">HCl components (2 of 2) on page 307</a>
Back end sensor	RM1-2968-000CN	<a href="#">Internal components (3 of 4) on page 289</a>
Cable, door open switch	RM1-3651-000CN	<a href="#">3x500 paper deck components on page 301</a>
Cable, engine interface	RM1-6991-000CN	<a href="#">1x500 paper deck components on page 299</a>
Cable, engine interface	RM1-6991-000CN	<a href="#">3x500 paper deck components on page 301</a>
Cable, flexible flat, 15P	RK2-4496-000CN	<a href="#">Internal components (4 of 4) on page 291</a>
Cable, flexible flat, 21P	RK2-4490-000CN	<a href="#">Internal components (4 of 4) on page 291</a>
Cable, flexible flat, 23P	RK2-4492-000CN	<a href="#">Internal components (4 of 4) on page 291</a>
Cable, flexible flat, 25P	RK2-4494-000CN	<a href="#">Internal components (4 of 4) on page 291</a>
Cable, multi sensor	RM1-3647-000CN	<a href="#">3x500 paper deck components on page 301</a>
Cable, multi, front	RM1-8971-000CN	<a href="#">Internal components (2 of 4) on page 287</a>
Cable, multisensor	RM1-3647-000CN	<a href="#">1x500 paper deck components on page 299</a>

**Table 2-32 Alphabetical parts list (continued)**

<b>Description</b>	<b>Part number</b>	<b>Table and page</b>
Cable, paper pickup option	RM1-3575-000CN	<a href="#">1x500 paper deck components on page 299</a>
Cable, paper pickup option	RM1-3575-000CN	<a href="#">3x500 paper deck components on page 301</a>
Cable, PCA joint	RM1-6992-000CN	<a href="#">3x500 paper deck components on page 301</a>
Cartridge door assembly	RM1-8660-000CN	<a href="#">External covers and panels on page 283</a>
Cartridge door open switch	WC2-5637-000CN	<a href="#">Internal components (2 of 4) on page 287</a>
Cassette assembly kit, with Trays 2-6 label kit	CF235-67917	<a href="#">500-sheet paper feeder (Tray 4) components on page 295</a>
Cassette assembly kit, with Trays 2-6 label kit	CF235-67917	<a href="#">1x500 paper deck components on page 299</a>
Cassette assembly kit, with Trays 2-6 label kit	CF235-67917	<a href="#">3x500 paper deck components on page 301</a>
Caster, double lock, front	RC1-9896-000CN	<a href="#">1x500 paper deck components on page 299</a>
Caster, double lock, front	RC1-9896-000CN	<a href="#">3x500 paper deck components on page 301</a>
Caster, rear	RC3-2994-000CN	<a href="#">1x500 paper deck components on page 299</a>
Caster, rear	RC3-2994-000CN	<a href="#">3x500 paper deck components on page 301</a>
Clutch, electromagnetic	RM1-8946-000CN	<a href="#">Internal components (1 of 4) (print engine) on page 285</a>
Clutch, electromagnetic	RM1-8946-000CN	<a href="#">Internal components (2 of 4) on page 287</a>
Connector, 8P	VS1-7514-008CN	<a href="#">500-sheet paper feeder (Tray 4) components on page 295</a>
Connector, 8P	VS1-7500-008CN	<a href="#">500-sheet paper feeder (Tray 4) components on page 295</a>
Connector, 8P	VS1-7500-008CN	<a href="#">1x500 paper deck components on page 299</a>
Connector, 8P	VS1-7500-008CN	<a href="#">3x500 paper deck components on page 301</a>
Controller PCA	RM1-9075-000CN	<a href="#">1x500 paper deck components on page 299</a>

**Table 2-32 Alphabetical parts list (continued)**

<b>Description</b>	<b>Part number</b>	<b>Table and page</b>
Controller PCA	RM1-9076-000CN	<a href="#">3x500 paper deck components on page 301</a>
Controller PCA	RM1-9057-000CN	<a href="#">HCI components (1 of 2) on page 305</a>
Cover, ADF cable	CC522-40023	<a href="#">Scanner assemblies on page 279</a>
Cover, ADF front	CQ819-40003	<a href="#">Document feeder assemblies on page 277</a>
Cover, ADF rear	CQ819-40005	<a href="#">Document feeder assemblies on page 277</a>
Cover, back scanner	CC522-40017	<a href="#">Scanner assemblies on page 279</a>
Cover, corner, right	RC3-3009-000CN	<a href="#">HCI covers on page 303</a>
Cover, facedown side	RC3-2273-000CN	<a href="#">External covers and panels on page 283</a>
Cover, front scanner	CF066-40001	<a href="#">Scanner assemblies on page 279</a>
Cover, front, left lower	RC3-2134-000CN	<a href="#">External covers and panels on page 283</a>
Cover, front, right lower	RC3-2133-000CN	<a href="#">External covers and panels on page 283</a>
Cover, handle lower	RC2-9332-000CN	<a href="#">500-sheet paper feeder (Tray 4) covers on page 293</a>
Cover, hatch	CQ819-40004	<a href="#">Document feeder assemblies on page 277</a>
Cover, jog, top	RC3-2364-000CN	<a href="#">Stapler/stacker covers on page 309</a>
Cover, left	RC2-9331-000CN	<a href="#">500-sheet paper feeder (Tray 4) covers on page 293</a>
Cover, left	RC2-9349-000CN	<a href="#">1x500 and 3x500 paper deck covers on page 297</a>
Cover, left	RC3-3005-000CN	<a href="#">HCI covers on page 303</a>
Cover, left	RC3-2343-000CN	<a href="#">Stapler/stacker covers on page 309</a>
Cover, left handle	RC3-2156-000CN	<a href="#">External covers and panels on page 283</a>
Cover, left lower	RC2-9350-000CN	<a href="#">1x500 and 3x500 paper deck covers on page 297</a>
Cover, left lower	RC3-3006-000CN	<a href="#">HCI covers on page 303</a>

**Table 2-32 Alphabetical parts list (continued)**

<b>Description</b>	<b>Part number</b>	<b>Table and page</b>
Cover, left scanner	CC522-40021	<a href="#">Scanner assemblies on page 279</a>
Cover, left side, front, lower	RC3-2154-000CN	<a href="#">External covers and panels on page 283</a>
Cover, left side, front, upper	RC3-2163-000CN	<a href="#">External covers and panels on page 283</a>
Cover, left side, rear, lower	RC3-2155-000CN	<a href="#">External covers and panels on page 283</a>
Cover, left side, rear, upper	RC3-2164-000CN	<a href="#">External covers and panels on page 283</a>
Cover, left, upper	RC3-2272-000CN	<a href="#">External covers and panels on page 283</a>
Cover, output, top	RC3-2160-000CN	<a href="#">External covers and panels on page 283</a>
Cover, rear	RC3-2138-000CN	<a href="#">External covers and panels on page 283</a>
Cover, rear	RC2-9330-000CN	<a href="#">500-sheet paper feeder (Tray 4) covers on page 293</a>
Cover, rear	RC2-9348-000CN	<a href="#">1x500 and 3x500 paper deck covers on page 297</a>
Cover, rear	RC3-3003-000CN	<a href="#">HCI covers on page 303</a>
Cover, rear inner	RC3-2348-000CN	<a href="#">Stapler/stacker covers on page 309</a>
Cover, rear left	RC3-2346-000CN	<a href="#">Stapler/stacker covers on page 309</a>
Cover, rear lower	RC2-9357-000CN	<a href="#">1x500 and 3x500 paper deck covers on page 297</a>
Cover, rear lower	RC3-3004-000CN	<a href="#">HCI covers on page 303</a>
Cover, rear right	RC3-2347-000CN	<a href="#">Stapler/stacker covers on page 309</a>
Cover, rear, top	RC3-2161-000CN	<a href="#">External covers and panels on page 283</a>
Cover, right center	RC3-3000-000CN	<a href="#">HCI covers on page 303</a>
Cover, right corner	RC2-9343-000CN	<a href="#">1x500 and 3x500 paper deck covers on page 297</a>
Cover, right front	RC2-9320-000CN	<a href="#">500-sheet paper feeder (Tray 4) covers on page 293</a>
Cover, right handle	RC3-2153-000CN	<a href="#">External covers and panels on page 283</a>

**Table 2-32 Alphabetical parts list (continued)**

<b>Description</b>	<b>Part number</b>	<b>Table and page</b>
Cover, right lower	RC3-3001-000CN	<a href="#">HCI covers on page 303</a>
Cover, right lower, 1	RC2-9346-000CN	<a href="#">1x500 and 3x500 paper deck covers on page 297</a>
Cover, right lower, 2	RC2-9347-000CN	<a href="#">1x500 and 3x500 paper deck covers on page 297</a>
Cover, right rear	RC3-3002-000CN	<a href="#">HCI covers on page 303</a>
Cover, right scanner	CF066-40002	<a href="#">Scanner assemblies on page 279</a>
Cover, right side, rear	RC3-2148-000CN	<a href="#">External covers and panels on page 283</a>
Cover, stack	RC3-2354-000CN	<a href="#">Stapler/stacker covers on page 309</a>
Cover, top, rear	RC3-2159-000CN	<a href="#">External covers and panels on page 283</a>
Crossing paper feed assembly	RM1-8888-000CN	<a href="#">HCI components (2 of 2) on page 307</a>
DC controller PCA	RM1-8934-000CN	<a href="#">Internal components (4 of 4) on page 291</a>
Door, left	RC3-2344-000CN	<a href="#">Stapler/stacker covers on page 309</a>
Door, stock, 1 (1x500 paper deck only)	RC2-9353-000CN	<a href="#">1x500 and 3x500 paper deck covers on page 297</a>
Door, stock, 2 (1x500 paper deck only)	RC2-9354-000CN	<a href="#">1x500 and 3x500 paper deck covers on page 297</a>
Duplexer, optional accessory	CF235-67913	<a href="#">Internal components (3 of 4) on page 289</a>
Facedown cover assembly	RM1-8654-000CN	<a href="#">External covers and panels on page 283</a>
Fan	RK2-1092-000CN	<a href="#">Internal components (2 of 4) on page 287</a>
Fan	RK2-3244-000CN	<a href="#">Internal components (2 of 4) on page 287</a>
Fan	RK2-2416-000CN	<a href="#">Internal components (4 of 4) on page 291</a>
Flag, document feeder open sensor	CC522-40029	<a href="#">Scanner assemblies on page 279</a>
Flag, media presence	CC355-40015	<a href="#">Document feeder assemblies on page 277</a>
Formatter cage	RM1-8682-000CN	<a href="#">Internal components (4 of 4) on page 291</a>

**Table 2-32 Alphabetical parts list (continued)**

<b>Description</b>	<b>Part number</b>	<b>Table and page</b>
Front cover assembly kit (includes product labels)	CF235-67905	<a href="#">External covers and panels on page 283</a>
Front lower cover assembly	RM1-6958-000CN	<a href="#">1x500 and 3x500 paper deck covers on page 297</a>
Front upper cover assembly	RM1-6949-000CN	<a href="#">500-sheet paper feeder (Tray 4) covers on page 293</a>
Front upper cover assembly	RM1-6949-000CN	<a href="#">1x500 and 3x500 paper deck covers on page 297</a>
Fuser assembly kit (110V)	CF235-67921	<a href="#">Internal components (3 of 4) on page 289</a>
Fuser assembly kit (220V)	CF235-67922	<a href="#">Internal components (3 of 4) on page 289</a>
Fuser drive assembly	RM1-2963-000CN	<a href="#">Internal components (3 of 4) on page 289</a>
Fuser motor assembly	RM1-2538-000CN	<a href="#">Internal components (3 of 4) on page 289</a>
Gear, 133T	RU7-0350-000CN	<a href="#">Internal components (1 of 4) (print engine) on page 285</a>
Handle, lock, rear	RC2-9303-000CN	<a href="#">500-sheet paper feeder (Tray 4) covers on page 293</a>
Handle, lock, rear	RC2-9303-000CN	<a href="#">1x500 and 3x500 paper deck covers on page 297</a>
High-voltage power supply (110V)	RM2-7538-000CN	<a href="#">Internal components (4 of 4) on page 291</a>
High-voltage power supply (220V)	RM2-7539-000CN	<a href="#">Internal components (4 of 4) on page 291</a>
Kit, A3 ADF mylar	5851-4997	<a href="#">Document feeder assemblies on page 277</a>
Kit, ADF separation pad spring	5851-4879	<a href="#">Document feeder assemblies on page 277</a>
Kit, ADF whole unit, A3 (includes foam reflector kit)	CF066-67910	<a href="#">Document feeder, control panel, and scanner whole units on page 275</a>
Kit, ADF whole unit, A3 (includes foam reflector kit)	CF066-67910	<a href="#">Document feeder assemblies on page 277</a>
Kit, control panel	CD644-67916	<a href="#">Document feeder, control panel, and scanner whole units on page 275</a>
Kit, reflector foam, A3	5851-4888	<a href="#">Document feeder, control panel, and scanner whole units on page 275</a>



**Table 2-32 Alphabetical parts list (continued)**

<b>Description</b>	<b>Part number</b>	<b>Table and page</b>
Kit, scanner whole unit (includes foam reflector kit)	CF066-67906	<a href="#">Document feeder, control panel, and scanner whole units on page 275</a>
Kit, scanner whole unit (includes foam reflector kit) <sup>1</sup>	CF066-67906	<a href="#">Scanner assemblies on page 279</a>
Labels, cassette numbers, Trays 2-6	5851-5600	<a href="#">HCI components (2 of 2) on page 307</a>
Labels, cassette numbers, Trays 2-6	5851-5600	<a href="#">HCI components (2 of 2) on page 307</a>
Labels, cassette numbers, Trays 2-6	5851-5600	<a href="#">500-sheet paper feeder (Tray 4) components on page 295</a>
Labels, cassette numbers, Trays 2-6	5851-5600	<a href="#">1x500 paper deck components on page 299</a>
Labels, cassette numbers, Trays 2-6	5851-5600	<a href="#">3x500 paper deck components on page 301</a>
Laser scanner assembly	RM1-8679-000CN	<a href="#">Internal components (2 of 4) on page 287</a>
Left door assembly	RM1-8680-000CN	<a href="#">External covers and panels on page 283</a>
Lifter drive assembly	RM1-2969-000CN	<a href="#">Internal components (3 of 4) on page 289</a>
Lifter drive assembly	RM1-3819-000CN	<a href="#">500-sheet paper feeder (Tray 4) components on page 295</a>
Lifter drive assembly	RM1-3819-000CN	<a href="#">1x500 paper deck components on page 299</a>
Lifter drive assembly	RM1-3819-000CN	<a href="#">3x500 paper deck components on page 301</a>
Lifter drive assembly	RM1-8879-000CN	<a href="#">HCI components (1 of 2) on page 305</a>
Link, face down flapper 1	RC3-2209-000CN	<a href="#">Internal components (3 of 4) on page 289</a>
Link, face down flapper 2	RC3-2210-000CN	<a href="#">Internal components (3 of 4) on page 289</a>
Link, right door, lower	RC2-9327-000CN	<a href="#">500-sheet paper feeder (Tray 4) covers on page 293</a>
Link, right door, lower	RC2-9327-000CN	<a href="#">1x500 and 3x500 paper deck covers on page 297</a>
Link, right door, upper	RC2-9335-000CN	<a href="#">500-sheet paper feeder (Tray 4) covers on page 293</a>

**Table 2-32 Alphabetical parts list (continued)**

<b>Description</b>	<b>Part number</b>	<b>Table and page</b>
Link, right door, upper	RC2-9335-000CN	<a href="#">1x500 and 3x500 paper deck covers on page 297</a>
Low-voltage power supply (110V)	RM1-8744-000CN	<a href="#">Internal components (4 of 4) on page 291</a>
Low-voltage power supply (220V)	RM1-8745-000CN	<a href="#">Internal components (4 of 4) on page 291</a>
Lower cassette (Tray 3) assembly kit	CF235-67912	<a href="#">Internal components (3 of 4) on page 289</a>
Lower cassette (Tray 3) pickup assembly	RM2-0183-000CN	<a href="#">Internal components (2 of 4) on page 287</a>
Main drive assembly	RM2-0184-000CN	<a href="#">Internal components (1 of 4) (print engine) on page 285</a>
Media Stopper, front	CC355-40046	<a href="#">Document feeder assemblies on page 277</a>
Media Stopper, rear	CC355-40047	<a href="#">Document feeder assemblies on page 277</a>
Motor, stepping, DC	RK2-1331-000CN	<a href="#">500-sheet paper feeder (Tray 4) components on page 295</a>
Motor, stepping, DC	RK2-1331-000CN	<a href="#">1x500 paper deck components on page 299</a>
Motor, stepping, DC	RK2-1331-000CN	<a href="#">3x500 paper deck components on page 301</a>
Motor, stepping, DC	RK2-1331-000CN	<a href="#">HCI components (1 of 2) on page 305</a>
Multipurpose separation pad assembly (part of Tray 1 pickup roller and separation pad kit)	CF235-67906	<a href="#">External covers and panels on page 283</a>
Multipurpose tray (Tray 1) cover assembly	RM1-8662-000CN	<a href="#">External covers and panels on page 283</a>
Optional 500-sheet tray and feeder assembly kit	CF235-67914	<a href="#">500-sheet paper feeder (Tray 4) covers on page 293</a>
Paper delivery assembly Kit	CF066-67909	<a href="#">Internal components (3 of 4) on page 289</a>
Paper feed assembly	RM1-8741-000CN	<a href="#">Internal components (1 of 4) (print engine) on page 285</a>
Paper feed assembly	RM1-8826-000CN	<a href="#">Stapler/stacker components on page 311</a>
Paper feed roller assembly (part of HCI pickup and feed roller kit)	5851-5011	<a href="#">HCI components (2 of 2) on page 307</a>

**Table 2-32 Alphabetical parts list (continued)**

<b>Description</b>	<b>Part number</b>	<b>Table and page</b>
Paper feed roller assembly (part of Trays 4,5 and 6 pickup and feed roller kit)	CC522-67909	<a href="#">500-sheet paper feeder (Tray 4) components on page 295</a>
Paper feed roller assembly (part of Trays 4,5 and 6 pickup and feed roller kit)	CC522-67909	<a href="#">1x500 paper deck components on page 299</a>
Paper feed roller assembly (part of Trays 4,5 and 6 pickup and feed roller kit)	CC522-67909	<a href="#">3x500 paper deck components on page 301</a>
Paper feeder controller PCA	RM1-9074-000CN	<a href="#">500-sheet paper feeder (Tray 4) components on page 295</a>
Paper pickup assembly	RM1-9415-000CN	<a href="#">500-sheet paper feeder (Tray 4) components on page 295</a>
Paper pickup assembly	RM1-9415-000CN	<a href="#">1x500 paper deck components on page 299</a>
Paper pickup assembly	RM1-9415-000CN	<a href="#">3x500 paper deck components on page 301</a>
Paper pickup assembly, left	RM1-8876-000CN	<a href="#">HCl components (2 of 2) on page 307</a>
Paper pickup assembly, right	RM1-8869-000CN	<a href="#">HCl components (2 of 2) on page 307</a>
Paper pickup motor assembly	RM1-8872-000CN	<a href="#">HCl components (1 of 2) on page 305</a>
PCA, scanner memory	5851-4285	<a href="#">Scanner assemblies on page 279</a>
Photointerrupter	WG8-5935-000CN	<a href="#">Internal components (1 of 4) (print engine) on page 285</a>
Photointerrupter	WG8-5935-000CN	<a href="#">Internal components (3 of 4) on page 289</a>
Photosensor	CC355-80014	<a href="#">Document feeder assemblies on page 277</a>
Photosensor	1990-3366	<a href="#">Scanner assemblies on page 279</a>
Power switch PCA	RM2-7561-000CN	<a href="#">Internal components (3 of 4) on page 289</a>
Rail, cassette, left	RL1-1391-000CN	<a href="#">1x500 paper deck components on page 299</a>
Rail, cassette, left	RL1-1391-000CN	<a href="#">3x500 paper deck components on page 301</a>
Rail, cassette, right	RL1-1390-000CN	<a href="#">1x500 paper deck components on page 299</a>

**Table 2-32 Alphabetical parts list (continued)**

<b>Description</b>	<b>Part number</b>	<b>Table and page</b>
Rail, cassette, right	RL1-1390-000CN	<a href="#">3x500 paper deck components on page 301</a>
Rear cover assembly	RM1-8812-000CN	<a href="#">Stapler/stacker covers on page 309</a>
Rear pocket cover assembly	RM1-9831-000CN	<a href="#">External covers and panels on page 283</a>
Registration assembly	RM1-8671-000CN	<a href="#">Internal components (1 of 4) (print engine) on page 285</a>
Right door assembly	RM1-8657-000CN	<a href="#">External covers and panels on page 283</a>
Right door assembly	RM1-6946-000CN	<a href="#">500-sheet paper feeder (Tray 4) covers on page 293</a>
Right door assembly	RM1-8868-000CN	<a href="#">HCI covers on page 303</a>
Right door assembly (1x500 paper deck)	RM1-6952-000CN	<a href="#">1x500 and 3x500 paper deck covers on page 297</a>
Right door assembly (3x500 paper deck)	RM1-6953-000CN	<a href="#">1x500 and 3x500 paper deck covers on page 297</a>
Right front lock cover assembly	RM1-9416-000CN	<a href="#">HCI covers on page 303</a>
Right lower cover assembly	RM1-6948-000CN	<a href="#">500-sheet paper feeder (Tray 4) covers on page 293</a>
Roller, cassette pickup (part of Tray 2 or 3 pickup roller and separation pad kit)	CF235-67909	<a href="#">Internal components (1 of 4) (print engine) on page 285</a>
Roller, cassette pickup (part of Tray 2 or 3 pickup roller and separation pad kit)	CF235-67909	<a href="#">Internal components (2 of 4) on page 287</a>
Roller, paper pickup (part of HCI pickup and feed roller kit)	5851-5011	<a href="#">HCI components (2 of 2) on page 307</a>
Roller, paper pickup, multipurpose tray (part of Tray 1 pickup roller and separation pad kit)	CF235-67906	<a href="#">External covers and panels on page 283</a>
Roller, pickup (part of Trays 4, 5 and 6 pickup and feed roller kit)	CC522-67909	<a href="#">500-sheet paper feeder (Tray 4) components on page 295</a>
Roller, pickup (part of Trays 4,5 and 6 pickup and feed roller kit)	CC522-67909	<a href="#">1x500 paper deck components on page 299</a>
Roller, pickup (part of Trays 4,5 and 6 pickup and feed roller kit)	CC522-67909	<a href="#">3x500 paper deck components on page 301</a>
SCB, top level assembly	CF066-67911	<a href="#">Scanner controller board (SCB) assembly on page 281</a>
Screw, stepped	RU5-9056-000CN	<a href="#">1x500 and 3x500 paper deck covers on page 297</a>

**Table 2-32 Alphabetical parts list (continued)**

<b>Description</b>	<b>Part number</b>	<b>Table and page</b>
Sensor, humidity	WP2-5316-000CN	<a href="#">Internal components (2 of 4) on page 287</a>
Separation pad assembly (part of Tray 2 or 3 pickup roller and separation pad kit)	CF235-67909	<a href="#">Internal components (3 of 4) on page 289</a>
Spring, document feeder sensor	CC522-80101	<a href="#">Scanner assemblies on page 279</a>
Spring, tension	RU5-2632-000CN	<a href="#">Internal components (1 of 4) (print engine) on page 285</a>
Stapler assembly	RM1-3092-000CN	<a href="#">Stapler/stacker components on page 311</a>
Stapler cover assembly	RM1-8813-000CN	<a href="#">Stapler/stacker covers on page 309</a>
Stapler door assembly	RM1-8814-000CN	<a href="#">Stapler/stacker covers on page 309</a>
Stapler/stacker controller PCA	RM1-9078-000CN	<a href="#">Stapler/stacker components on page 311</a>
Stock box assembly	RM1-6954-000CN	<a href="#">1x500 paper deck components on page 299</a>
Stopper, link	RC3-2212-000CN	<a href="#">Internal components (1 of 4) (print engine) on page 285</a>
Switch, button	WC2-5512-000CN	<a href="#">500-sheet paper feeder (Tray 4) components on page 295</a>
Switch, button	WC2-5512-000CN	<a href="#">3x500 paper deck components on page 301</a>
Switch, cartridge door	RM1-3471-000CN	<a href="#">Internal components (4 of 4) on page 291</a>
Switch, fuser (left) door	RM1-3474-000CN	<a href="#">Internal components (4 of 4) on page 291</a>
Transfer roller assembly kit	CF235-67910	<a href="#">Internal components (1 of 4) (print engine) on page 285</a>
Tray assembly	RM1-8815-000CN	<a href="#">Stapler/stacker covers on page 309</a>
Tray, left assembly kit, with Trays 2-6 tray label kit	CF235-60103	<a href="#">HCl components (2 of 2) on page 307</a>
Tray, right assembly kit, with Trays 2-6 tray label kit	CF235-60104	<a href="#">HCl components (2 of 2) on page 307</a>
Upper cassette (Tray 2) assembly kit	CF235-67911	<a href="#">Internal components (3 of 4) on page 289</a>
Upper cassette (Tray 2) pickup assembly	RM2-0182-000CN	<a href="#">Internal components (1 of 4) (print engine) on page 285</a>

**Table 2-32 Alphabetical parts list (continued)**

<b>Description</b>	<b>Part number</b>	<b>Table and page</b>
Upper front cover assembly	RM1-8656-000CN	<a href="#">External covers and panels on page 283</a>
Width sensor PCA	CQ819-60022	<a href="#">Document feeder assemblies on page 277</a>

# Numerical parts list

**Table 2-33 Numerical parts list**

<b>Part number</b>	<b>Description</b>	<b>Table and page</b>
1990-3366	Photosensor	<a href="#">Scanner assemblies on page 279</a>
5851-4285	PCA, scanner memory	<a href="#">Scanner assemblies on page 279</a>
5851-4879	Kit, ADF separation pad spring	<a href="#">Document feeder assemblies on page 277</a>
5851-4888	Kit, reflector foam, A3	<a href="#">Document feeder, control panel, and scanner whole units on page 275</a>
5851-4997	Kit, A3 ADF mylar	<a href="#">Document feeder assemblies on page 277</a>
5851-5011	Roller, paper pickup (part of HCI pickup and feed roller kit)	<a href="#">HCI components (2 of 2) on page 307</a>
5851-5011	Paper feed roller assembly (part of HCI pickup and feed roller kit)	<a href="#">HCI components (2 of 2) on page 307</a>
5851-5600	Labels, cassette numbers, Trays 2-6	<a href="#">500-sheet paper feeder (Tray 4) components on page 295</a>
5851-5600	Labels, cassette numbers, Trays 2-6	<a href="#">1x500 paper deck components on page 299</a>
5851-5600	Labels, cassette numbers, Trays 2-6	<a href="#">3x500 paper deck components on page 301</a>
5851-5600	Labels, cassette numbers, Trays 2-6	<a href="#">HCI components (2 of 2) on page 307</a>
5851-5600	Labels, cassette numbers, Trays 2-6	<a href="#">HCI components (2 of 2) on page 307</a>
CC235-67918	3,500-sheet HCI feeder assembly kit	<a href="#">HCI covers on page 303</a>
CC355-40015	Flag, media presence	<a href="#">Document feeder assemblies on page 277</a>
CC355-40046	Media Stopper, front	<a href="#">Document feeder assemblies on page 277</a>
CC355-40047	Media Stopper, rear	<a href="#">Document feeder assemblies on page 277</a>
CC355-80014	Photosensor	<a href="#">Document feeder assemblies on page 277</a>
CC522-40017	Cover, back scanner	<a href="#">Scanner assemblies on page 279</a>

**Table 2-33 Numerical parts list (continued)**

<b>Part number</b>	<b>Description</b>	<b>Table and page</b>
CC522-40021	Cover, left scanner	<a href="#">Scanner assemblies on page 279</a>
CC522-40023	Cover, ADF cable	<a href="#">Scanner assemblies on page 279</a>
CC522-40029	Flag, document feeder open sensor	<a href="#">Scanner assemblies on page 279</a>
CC522-67909	Roller, pickup (part of Trays 4, 5 and 6 pickup and feed roller kit)	<a href="#">500-sheet paper feeder (Tray 4) components on page 295</a>
CC522-67909	Paper feed roller assembly (part of Trays 4,5 and 6 pickup and feed roller kit)	<a href="#">500-sheet paper feeder (Tray 4) components on page 295</a>
CC522-67909	Roller, pickup (part of Trays 4,5 and 6 pickup and feed roller kit)	<a href="#">1x500 paper deck components on page 299</a>
CC522-67909	Paper feed roller assembly (part of Trays 4,5 and 6 pickup and feed roller kit)	<a href="#">1x500 paper deck components on page 299</a>
CC522-67909	Roller, pickup (part of Trays 4,5 and 6 pickup and feed roller kit)	<a href="#">3x500 paper deck components on page 301</a>
CC522-67909	Paper feed roller assembly (part of Trays 4,5 and 6 pickup and feed roller kit)	<a href="#">3x500 paper deck components on page 301</a>
CC522-80101	Spring, document feeder sensor	<a href="#">Scanner assemblies on page 279</a>
CD644-67916	Kit, control panel	<a href="#">Document feeder, control panel, and scanner whole units on page 275</a>
CF066-40001	Cover, front scanner	<a href="#">Scanner assemblies on page 279</a>
CF066-40002	Cover, right scanner	<a href="#">Scanner assemblies on page 279</a>
CF066-67906	Kit, scanner whole unit (includes foam reflector kit)	<a href="#">Document feeder, control panel, and scanner whole units on page 275</a>
CF066-67906	Kit, scanner whole unit (includes foam reflector kit) <sup>1</sup>	<a href="#">Scanner assemblies on page 279</a>
CF066-67909	Paper delivery assembly Kit	<a href="#">Internal components (3 of 4) on page 289</a>
CF066-67910	Kit, ADF whole unit, A3 (includes foam reflector kit)	<a href="#">Document feeder, control panel, and scanner whole units on page 275</a>
CF066-67910	Kit, ADF whole unit, A3 (includes foam reflector kit)	<a href="#">Document feeder assemblies on page 277</a>



**Table 2-33 Numerical parts list (continued)**

<b>Part number</b>	<b>Description</b>	<b>Table and page</b>
CF066-67911	SCB, top level assembly	<a href="#">Scanner controller board (SCB) assembly on page 281</a>
CF235-60103	Tray, left assembly kit, with Trays 2-6 tray label kit	<a href="#">HCI components (2 of 2) on page 307</a>
CF235-60104	Tray, right assembly kit, with Trays 2-6 tray label kit	<a href="#">HCI components (2 of 2) on page 307</a>
CF235-67905	Front cover assembly kit (includes product labels)	<a href="#">External covers and panels on page 283</a>
CF235-67906	Roller, paper pickup, multipurpose tray (part of Tray 1 pickup roller and separation pad kit)	<a href="#">External covers and panels on page 283</a>
CF235-67906	Multipurpose separation pad assembly (part of Tray 1 pickup roller and separation pad kit)	<a href="#">External covers and panels on page 283</a>
CF235-67909	Roller, cassette pickup (part of Tray 2 or 3 pickup roller and separation pad kit)	<a href="#">Internal components (1 of 4) (print engine) on page 285</a>
CF235-67909	Roller, cassette pickup (part of Tray 2 or 3 pickup roller and separation pad kit)	<a href="#">Internal components (2 of 4) on page 287</a>
CF235-67909	Separation pad assembly (part of Tray 2 or 3 pickup roller and separation pad kit)	<a href="#">Internal components (3 of 4) on page 289</a>
CF235-67910	Transfer roller assembly kit	<a href="#">Internal components (1 of 4) (print engine) on page 285</a>
CF235-67911	Upper cassette (Tray 2) assembly kit	<a href="#">Internal components (3 of 4) on page 289</a>
CF235-67912	Lower cassette (Tray 3) assembly kit	<a href="#">Internal components (3 of 4) on page 289</a>
CF235-67913	Duplexer, optional accessory	<a href="#">Internal components (3 of 4) on page 289</a>
CF235-67914	Optional 500-sheet tray and feeder assembly kit	<a href="#">500-sheet paper feeder (Tray 4) covers on page 293</a>
CF235-67915	1x500 feeder and stand assembly kit	<a href="#">1x500 and 3x500 paper deck covers on page 297</a>
CF235-67916	3x500 feeder and stand assembly kit	<a href="#">1x500 and 3x500 paper deck covers on page 297</a>
CF235-67917	Cassette assembly kit, with Trays 2-6 label kit	<a href="#">500-sheet paper feeder (Tray 4) components on page 295</a>
CF235-67917	Cassette assembly kit, with Trays 2-6 label kit	<a href="#">1x500 paper deck components on page 299</a>
CF235-67917	Cassette assembly kit, with Trays 2-6 label kit	<a href="#">3x500 paper deck components on page 301</a>
CF235-67921	Fuser assembly kit (110V)	<a href="#">Internal components (3 of 4) on page 289</a>

**Table 2-33 Numerical parts list (continued)**

<b>Part number</b>	<b>Description</b>	<b>Table and page</b>
CF235-67922	Fuser assembly kit (220V)	<a href="#">Internal components (3 of 4) on page 289</a>
CQ819-40003	Cover, ADF front	<a href="#">Document feeder assemblies on page 277</a>
CQ819-40004	Cover, hatch	<a href="#">Document feeder assemblies on page 277</a>
CQ819-40005	Cover, ADF rear	<a href="#">Document feeder assemblies on page 277</a>
CQ819-40032	ADF roller cover, A3	<a href="#">Document feeder assemblies on page 277</a>
CQ819-60011	ADF hinge assembly	<a href="#">Document feeder assemblies on page 277</a>
CQ819-60022	Width sensor PCA	<a href="#">Document feeder assemblies on page 277</a>
Q7404-40020	ADF tray extender	<a href="#">Document feeder assemblies on page 277</a>
RC1-9896-000CN	Caster, double lock, front	<a href="#">1x500 paper deck components on page 299</a>
RC1-9896-000CN	Caster, double lock, front	<a href="#">3x500 paper deck components on page 301</a>
RC2-9303-000CN	Handle, lock, rear	<a href="#">500-sheet paper feeder (Tray 4) covers on page 293</a>
RC2-9303-000CN	Handle, lock, rear	<a href="#">1x500 and 3x500 paper deck covers on page 297</a>
RC2-9320-000CN	Cover, right front	<a href="#">500-sheet paper feeder (Tray 4) covers on page 293</a>
RC2-9327-000CN	Link, right door, lower	<a href="#">500-sheet paper feeder (Tray 4) covers on page 293</a>
RC2-9327-000CN	Link, right door, lower	<a href="#">1x500 and 3x500 paper deck covers on page 297</a>
RC2-9330-000CN	Cover, rear	<a href="#">500-sheet paper feeder (Tray 4) covers on page 293</a>
RC2-9331-000CN	Cover, left	<a href="#">500-sheet paper feeder (Tray 4) covers on page 293</a>
RC2-9332-000CN	Cover, handle lower	<a href="#">500-sheet paper feeder (Tray 4) covers on page 293</a>
RC2-9335-000CN	Link, right door, upper	<a href="#">500-sheet paper feeder (Tray 4) covers on page 293</a>
RC2-9335-000CN	Link, right door, upper	<a href="#">1x500 and 3x500 paper deck covers on page 297</a>

**Table 2-33 Numerical parts list (continued)**

<b>Part number</b>	<b>Description</b>	<b>Table and page</b>
RC2-9343-000CN	Cover, right corner	<a href="#">1x500 and 3x500 paper deck covers on page 297</a>
RC2-9346-000CN	Cover, right lower, 1	<a href="#">1x500 and 3x500 paper deck covers on page 297</a>
RC2-9347-000CN	Cover, right lower, 2	<a href="#">1x500 and 3x500 paper deck covers on page 297</a>
RC2-9348-000CN	Cover, rear	<a href="#">1x500 and 3x500 paper deck covers on page 297</a>
RC2-9349-000CN	Cover, left	<a href="#">1x500 and 3x500 paper deck covers on page 297</a>
RC2-9350-000CN	Cover, left lower	<a href="#">1x500 and 3x500 paper deck covers on page 297</a>
RC2-9353-000CN	Door, stock, 1 (1x500 paper deck only)	<a href="#">1x500 and 3x500 paper deck covers on page 297</a>
RC2-9354-000CN	Door, stock, 2 (1x500 paper deck only)	<a href="#">1x500 and 3x500 paper deck covers on page 297</a>
RC2-9357-000CN	Cover, rear lower	<a href="#">1x500 and 3x500 paper deck covers on page 297</a>
RC3-2133-000CN	Cover, front, right lower	<a href="#">External covers and panels on page 283</a>
RC3-2134-000CN	Cover, front, left lower	<a href="#">External covers and panels on page 283</a>
RC3-2138-000CN	Cover, rear	<a href="#">External covers and panels on page 283</a>
RC3-2148-000CN	Cover, right side, rear	<a href="#">External covers and panels on page 283</a>
RC3-2153-000CN	Cover, right handle	<a href="#">External covers and panels on page 283</a>
RC3-2154-000CN	Cover, left side, front, lower	<a href="#">External covers and panels on page 283</a>
RC3-2155-000CN	Cover, left side, rear, lower	<a href="#">External covers and panels on page 283</a>
RC3-2156-000CN	Cover, left handle	<a href="#">External covers and panels on page 283</a>
RC3-2159-000CN	Cover, top, rear	<a href="#">External covers and panels on page 283</a>
RC3-2160-000CN	Cover, output, top	<a href="#">External covers and panels on page 283</a>
RC3-2161-000CN	Cover, rear, top	<a href="#">External covers and panels on page 283</a>

**Table 2-33 Numerical parts list (continued)**

<b>Part number</b>	<b>Description</b>	<b>Table and page</b>
RC3-2163-000CN	Cover, left side, front, upper	<a href="#">External covers and panels on page 283</a>
RC3-2164-000CN	Cover, left side, rear, upper	<a href="#">External covers and panels on page 283</a>
RC3-2209-000CN	Link, face down flapper 1	<a href="#">Internal components (3 of 4) on page 289</a>
RC3-2210-000CN	Link, face down flapper 2	<a href="#">Internal components (3 of 4) on page 289</a>
RC3-2212-000CN	Stopper, link	<a href="#">Internal components (1 of 4) (print engine) on page 285</a>
RC3-2272-000CN	Cover, left, upper	<a href="#">External covers and panels on page 283</a>
RC3-2273-000CN	Cover, facedown side	<a href="#">External covers and panels on page 283</a>
RC3-2343-000CN	Cover, left	<a href="#">Stapler/stacker covers on page 309</a>
RC3-2344-000CN	Door, left	<a href="#">Stapler/stacker covers on page 309</a>
RC3-2346-000CN	Cover, rear left	<a href="#">Stapler/stacker covers on page 309</a>
RC3-2347-000CN	Cover, rear right	<a href="#">Stapler/stacker covers on page 309</a>
RC3-2348-000CN	Cover, rear inner	<a href="#">Stapler/stacker covers on page 309</a>
RC3-2354-000CN	Cover, stack	<a href="#">Stapler/stacker covers on page 309</a>
RC3-2364-000CN	Cover, jog, top	<a href="#">Stapler/stacker covers on page 309</a>
RC3-2994-000CN	Caster, rear	<a href="#">1x500 paper deck components on page 299</a>
RC3-2994-000CN	Caster, rear	<a href="#">3x500 paper deck components on page 301</a>
RC3-3000-000CN	Cover, right center	<a href="#">HCI covers on page 303</a>
RC3-3001-000CN	Cover, right lower	<a href="#">HCI covers on page 303</a>
RC3-3002-000CN	Cover, right rear	<a href="#">HCI covers on page 303</a>
RC3-3003-000CN	Cover, rear	<a href="#">HCI covers on page 303</a>
RC3-3004-000CN	Cover, rear lower	<a href="#">HCI covers on page 303</a>
RC3-3005-000CN	Cover, left	<a href="#">HCI covers on page 303</a>
RC3-3006-000CN	Cover, left lower	<a href="#">HCI covers on page 303</a>

**Table 2-33 Numerical parts list (continued)**

<b>Part number</b>	<b>Description</b>	<b>Table and page</b>
RC3-3009-000CN	Cover, corner, right	<a href="#">HCI covers on page 303</a>
RK2-1092-000CN	Fan	<a href="#">Internal components (2 of 4) on page 287</a>
RK2-1331-000CN	Motor, stepping, DC	<a href="#">500-sheet paper feeder (Tray 4) components on page 295</a>
RK2-1331-000CN	Motor, stepping, DC	<a href="#">1x500 paper deck components on page 299</a>
RK2-1331-000CN	Motor, stepping, DC	<a href="#">3x500 paper deck components on page 301</a>
RK2-1331-000CN	Motor, stepping, DC	<a href="#">HCI components (1 of 2) on page 305</a>
RK2-2416-000CN	Fan	<a href="#">Internal components (4 of 4) on page 291</a>
RK2-3244-000CN	Fan	<a href="#">Internal components (2 of 4) on page 287</a>
RK2-4490-000CN	Cable, flexible flat, 21P	<a href="#">Internal components (4 of 4) on page 291</a>
RK2-4492-000CN	Cable, flexible flat, 23P	<a href="#">Internal components (4 of 4) on page 291</a>
RK2-4494-000CN	Cable, flexible flat, 25P	<a href="#">Internal components (4 of 4) on page 291</a>
RK2-4496-000CN	Cable, flexible flat, 15P	<a href="#">Internal components (4 of 4) on page 291</a>
RL1-1390-000CN	Rail, cassette, right	<a href="#">1x500 paper deck components on page 299</a>
RL1-1390-000CN	Rail, cassette, right	<a href="#">3x500 paper deck components on page 301</a>
RL1-1391-000CN	Rail, cassette, left	<a href="#">1x500 paper deck components on page 299</a>
RL1-1391-000CN	Rail, cassette, left	<a href="#">3x500 paper deck components on page 301</a>
RM1-2538-000CN	Fuser motor assembly	<a href="#">Internal components (3 of 4) on page 289</a>
RM1-2963-000CN	Fuser drive assembly	<a href="#">Internal components (3 of 4) on page 289</a>
RM1-2968-000CN	Back end sensor	<a href="#">Internal components (3 of 4) on page 289</a>
RM1-2969-000CN	Lifter drive assembly	<a href="#">Internal components (3 of 4) on page 289</a>

**Table 2-33 Numerical parts list (continued)**

<b>Part number</b>	<b>Description</b>	<b>Table and page</b>
RM1-3092-000CN	Stapler assembly	<a href="#">Stapler/stacker components on page 311</a>
RM1-3471-000CN	Switch, cartridge door	<a href="#">Internal components (4 of 4) on page 291</a>
RM1-3474-000CN	Switch, fuser (left) door	<a href="#">Internal components (4 of 4) on page 291</a>
RM1-3575-000CN	Cable, paper pickup option	<a href="#">1x500 paper deck components on page 299</a>
RM1-3575-000CN	Cable, paper pickup option	<a href="#">3x500 paper deck components on page 301</a>
RM1-3647-000CN	Cable, multisensor	<a href="#">1x500 paper deck components on page 299</a>
RM1-3647-000CN	Cable, multi sensor	<a href="#">3x500 paper deck components on page 301</a>
RM1-3651-000CN	Cable, door open switch	<a href="#">3x500 paper deck components on page 301</a>
RM1-3819-000CN	Lifter drive assembly	<a href="#">500-sheet paper feeder (Tray 4) components on page 295</a>
RM1-3819-000CN	Lifter drive assembly	<a href="#">1x500 paper deck components on page 299</a>
RM1-3819-000CN	Lifter drive assembly	<a href="#">3x500 paper deck components on page 301</a>
RM1-6946-000CN	Right door assembly	<a href="#">500-sheet paper feeder (Tray 4) covers on page 293</a>
RM1-6948-000CN	Right lower cover assembly	<a href="#">500-sheet paper feeder (Tray 4) covers on page 293</a>
RM1-6949-000CN	Front upper cover assembly	<a href="#">500-sheet paper feeder (Tray 4) covers on page 293</a>
RM1-6949-000CN	Front upper cover assembly	<a href="#">1x500 and 3x500 paper deck covers on page 297</a>
RM1-6952-000CN	Right door assembly (1x500 paper deck)	<a href="#">1x500 and 3x500 paper deck covers on page 297</a>
RM1-6953-000CN	Right door assembly (3x500 paper deck)	<a href="#">1x500 and 3x500 paper deck covers on page 297</a>
RM1-6954-000CN	Stock box assembly	<a href="#">1x500 paper deck components on page 299</a>
RM1-6958-000CN	Front lower cover assembly	<a href="#">1x500 and 3x500 paper deck covers on page 297</a>
RM1-6991-000CN	Cable, engine interface	<a href="#">1x500 paper deck components on page 299</a>

**Table 2-33 Numerical parts list (continued)**

<b>Part number</b>	<b>Description</b>	<b>Table and page</b>
RM1-6991-000CN	Cable, engine interface	<a href="#">3x500 paper deck components on page 301</a>
RM1-6992-000CN	Cable, PCA joint	<a href="#">3x500 paper deck components on page 301</a>
RM1-8654-000CN	Facedown cover assembly	<a href="#">External covers and panels on page 283</a>
RM1-8656-000CN	Upper front cover assembly	<a href="#">External covers and panels on page 283</a>
RM1-8657-000CN	Right door assembly	<a href="#">External covers and panels on page 283</a>
RM1-8660-000CN	Cartridge door assembly	<a href="#">External covers and panels on page 283</a>
RM1-8662-000CN	Multipurpose tray (Tray 1) cover assembly	<a href="#">External covers and panels on page 283</a>
RM1-8671-000CN	Registration assembly	<a href="#">Internal components (1 of 4) (print engine) on page 285</a>
RM1-8679-000CN	Laser scanner assembly	<a href="#">Internal components (2 of 4) on page 287</a>
RM1-8680-000CN	Left door assembly	<a href="#">External covers and panels on page 283</a>
RM1-8682-000CN	Formatter cage	<a href="#">Internal components (4 of 4) on page 291</a>
RM1-8741-000CN	Paper feed assembly	<a href="#">Internal components (1 of 4) (print engine) on page 285</a>
RM1-8744-000CN	Low-voltage power supply (110V)	<a href="#">Internal components (4 of 4) on page 291</a>
RM1-8745-000CN	Low-voltage power supply (220V)	<a href="#">Internal components (4 of 4) on page 291</a>
RM1-8810-000CN	Alignment assembly	<a href="#">Stapler/stacker components on page 311</a>
RM1-8812-000CN	Rear cover assembly	<a href="#">Stapler/stacker covers on page 309</a>
RM1-8813-000CN	Stapler cover assembly	<a href="#">Stapler/stacker covers on page 309</a>
RM1-8814-000CN	Stapler door assembly	<a href="#">Stapler/stacker covers on page 309</a>
RM1-8815-000CN	Tray assembly	<a href="#">Stapler/stacker covers on page 309</a>
RM1-8826-000CN	Paper feed assembly	<a href="#">Stapler/stacker components on page 311</a>

**Table 2-33 Numerical parts list (continued)**

<b>Part number</b>	<b>Description</b>	<b>Table and page</b>
RM1-8868-000CN	Right door assembly	<a href="#">HCI covers on page 303</a>
RM1-8869-000CN	Paper pickup assembly, right	<a href="#">HCI components (2 of 2) on page 307</a>
RM1-8872-000CN	Paper pickup motor assembly	<a href="#">HCI components (1 of 2) on page 305</a>
RM1-8876-000CN	Paper pickup assembly, left	<a href="#">HCI components (2 of 2) on page 307</a>
RM1-8879-000CN	Lifter drive assembly	<a href="#">HCI components (1 of 2) on page 305</a>
RM1-8880-000CN	Auto close assembly	<a href="#">HCI components (2 of 2) on page 307</a>
RM1-8888-000CN	Crossing paper feed assembly	<a href="#">HCI components (2 of 2) on page 307</a>
RM1-8934-000CN	DC controller PCA	<a href="#">Internal components (4 of 4) on page 291</a>
RM1-8946-000CN	Clutch, electromagnetic	<a href="#">Internal components (1 of 4) (print engine) on page 285</a>
RM1-8946-000CN	Clutch, electromagnetic	<a href="#">Internal components (2 of 4) on page 287</a>
RM1-8971-000CN	Cable, multi, front	<a href="#">Internal components (2 of 4) on page 287</a>
RM1-9057-000CN	Controller PCA	<a href="#">HCI components (1 of 2) on page 305</a>
RM1-9074-000CN	Paper feeder controller PCA	<a href="#">500-sheet paper feeder (Tray 4) components on page 295</a>
RM1-9075-000CN	Controller PCA	<a href="#">1x500 paper deck components on page 299</a>
RM1-9076-000CN	Controller PCA	<a href="#">3x500 paper deck components on page 301</a>
RM1-9078-000CN	Stapler/stacker controller PCA	<a href="#">Stapler/stacker components on page 311</a>
RM1-9415-000CN	Paper pickup assembly	<a href="#">500-sheet paper feeder (Tray 4) components on page 295</a>
RM1-9415-000CN	Paper pickup assembly	<a href="#">1x500 paper deck components on page 299</a>
RM1-9415-000CN	Paper pickup assembly	<a href="#">3x500 paper deck components on page 301</a>
RM1-9416-000CN	Right front lock cover assembly	<a href="#">HCI covers on page 303</a>



**Table 2-33 Numerical parts list (continued)**

<b>Part number</b>	<b>Description</b>	<b>Table and page</b>
RM1-9831-000CN	Rear pocket cover assembly	<a href="#">External covers and panels on page 283</a>
RM2-0182-000CN	Upper cassette (Tray 2) pickup assembly	<a href="#">Internal components (1 of 4) (print engine) on page 285</a>
RM2-0183-000CN	Lower cassette (Tray 3) pickup assembly	<a href="#">Internal components (2 of 4) on page 287</a>
RM2-0184-000CN	Main drive assembly	<a href="#">Internal components (1 of 4) (print engine) on page 285</a>
RM2-7538-000CN	High-voltage power supply (110V)	<a href="#">Internal components (4 of 4) on page 291</a>
RM2-7539-000CN	High-voltage power supply (220V)	<a href="#">Internal components (4 of 4) on page 291</a>
RM2-7561-000CN	Power switch PCA	<a href="#">Internal components (3 of 4) on page 289</a>
RU5-2632-000CN	Spring, tension	<a href="#">Internal components (1 of 4) (print engine) on page 285</a>
RU5-9056-000CN	Screw, stepped	<a href="#">1x500 and 3x500 paper deck covers on page 297</a>
RU7-0350-000CN	Gear, 133T	<a href="#">Internal components (1 of 4) (print engine) on page 285</a>
VS1-7500-008CN	Connector, 8P	<a href="#">500-sheet paper feeder (Tray 4) components on page 295</a>
VS1-7500-008CN	Connector, 8P	<a href="#">1x500 paper deck components on page 299</a>
VS1-7500-008CN	Connector, 8P	<a href="#">3x500 paper deck components on page 301</a>
VS1-7514-008CN	Connector, 8P	<a href="#">500-sheet paper feeder (Tray 4) components on page 295</a>
WC2-5512-000CN	Switch, button	<a href="#">500-sheet paper feeder (Tray 4) components on page 295</a>
WC2-5512-000CN	Switch, button	<a href="#">3x500 paper deck components on page 301</a>
WC2-5637-000CN	Cartridge door open switch	<a href="#">Internal components (2 of 4) on page 287</a>
WG8-5935-000CN	Photointerrupter	<a href="#">Internal components (1 of 4) (print engine) on page 285</a>

**Table 2-33 Numerical parts list (continued)**

<b>Part number</b>	<b>Description</b>	<b>Table and page</b>
WG8-5935-000CN	Photointerrupter	<a href="#">Internal components (3 of 4) on page 289</a>
WP2-5316-000CN	Sensor, humidity	<a href="#">Internal components (2 of 4) on page 287</a>

