
2 Parts and diagrams

- [For additional service and support](#)
- [Order parts, accessories, and supplies](#)
- [How to use the parts lists and diagrams](#)
- [Document feeder and image scanner](#)
- [Covers, printer base](#)
- [Internal components, printer base](#)
- [550-sheet paper feeder](#)
- [Alphabetical parts list](#)
- [Numerical parts list](#)

For additional service and support

HP service personnel, go to the Service Access Work Bench (SAW) at <http://h41302.www4.hp.com/km/saw/home.do>.

Channel partners, go to HP Channel Services Network (CSN) at <https://h30125.www3.hp.com/hpcsn>.

- To access HP PartSurfer information from any mobile device, go to <http://partsurfermobile.hp.com/> or scan the Quick Response (QR) code below.



- Install and configure
- Printer specifications
- Up-to-date control panel message (CPMD) troubleshooting
- Solutions for printer issues and emerging issues
- Remove and replace part instructions and videos
- Service advisories
- Warranty and regulatory information

Order parts, accessories, and supplies

Ordering

Order supplies and paper	www.hp.com/go/suresupply
Order genuine HP parts or accessories	www.hp.com/buy/parts
	or
	partsurfer.hp.com
Order through service or support providers	Contact an HP-authorized service or support provider.
Order using the HP Embedded Web Server (EWS)	To access, in a supported Web browser on your computer, enter the printer IP address or host name in the address/URL field. The EWS contains a link to the HP SureSupply Web site, which provides options for purchasing Original HP supplies.

Orderable parts

Not all of the parts shown in the diagrams in this chapter can be ordered. Refer to the table following the diagram or the parts lists at the end of this chapter to determine if a part is orderable.

Supplies

Following are the part numbers for the supplies available for the printers.

Table 2-1 Supplies

Item	Description	Cartridge number	Part number
Supplies			
HP 26A Black Original LaserJet Toner Cartridge	Standard-capacity replacement black toner cartridge	26A	CF226A
NOTE: M402 and M426 models only			
HP 28A Black Original LaserJet Toner Cartridge	Standard-capacity replacement black toner cartridge	28A	CF228A
NOTE: M403 and M427 models only			
HP 26X High Yield Black Original LaserJet Toner Cartridge	High-capacity replacement black toner cartridge	26X	CF226X
NOTE: M402 and M426 models only			
HP 28X High Yield Black Original LaserJet Toner Cartridge)	High-capacity replacement black toner cartridge	28X	CF228X
NOTE: M403 and M427 models only			

Accessories

Following are the part numbers for the accessories available for the printer.

Table 2-2 Accessories

Item	Part number
550-sheet paper feeder (optional Tray 3)	C5F97-69001

Customer self-repair parts

Customer Self-Repair (CSR) parts are available for many HP LaserJet printers to reduce repair time. More information about the CSR program and benefits can be found at www.hp.com/go/csr-support and www.hp.com/go/csr-faq.


Genuine HP replacement parts can be ordered at www.hp.com/buy/parts or by contacting an HP-authorized service or support provider. When ordering, one of the following will be needed: part number, serial number (found on back of printer), printer number, or printer name.


- Parts listed as **Mandatory** self-replacement are to be installed by customers, unless you are willing to pay HP service personnel to perform the repair. For these parts, on-site or return-to-depot support is not provided under the HP printer warranty.
- Parts listed as **Optional** self-replacement can be installed by HP service personnel at your request for no additional charge during the printer warranty period.

Item	Description	Self-replacement options	Part number
250-sheet paper input tray	Replacement cassette for Tray 2	Mandatory	RM2-5392-000CN
Optional 550-sheet accessory tray	Replacement cassette for Tray 3	Mandatory	RM2-5413-000CN
Tray 2 separation roller assembly	Tray 2 separation roller	Mandatory	RM2-5397-000CN
Optional Tray 3 separation roller assembly	Optional Tray 3 separation roller	Mandatory	RM2-5745-000CN
Multipurpose roller	Multipurpose roller	Mandatory	RL2-0656-000CN
Tray 2 paper pickup roller assembly	Tray 2 pickup roller	Mandatory	RM2-5452-000CN
Optional Tray 3 paper pickup roller assembly	Optional Tray 3 pickup roller	Mandatory	RM2-5741-000CN


How to use the parts lists and diagrams

The figures in this chapter show the major subassemblies in the printer and their component parts. A parts list table follows each exploded view assembly diagram. Each table lists the item number, the associated part number, and the description of each part. If a part is not listed in the table, then it is not a field replacement unit (FRU).

 **CAUTION:** Be sure to order the correct part. When looking for part numbers for electrical components, pay careful attention to the voltage that is listed in the description column. Doing so will ensure that the part number selected is for the correct model.

 **NOTE:** In this manual, the abbreviation “PCA” stands for “printed circuit-board assembly.” Components described as a PCA might consist of a single circuit board or a circuit board plus other parts, such as cables and sensors.

Document feeder and image scanner

 **NOTE:** Parts listed in this section are for the M426 and M427 printers.

Main assemblies

Figure 2-1 Main assemblies (document feeder and image scanner)

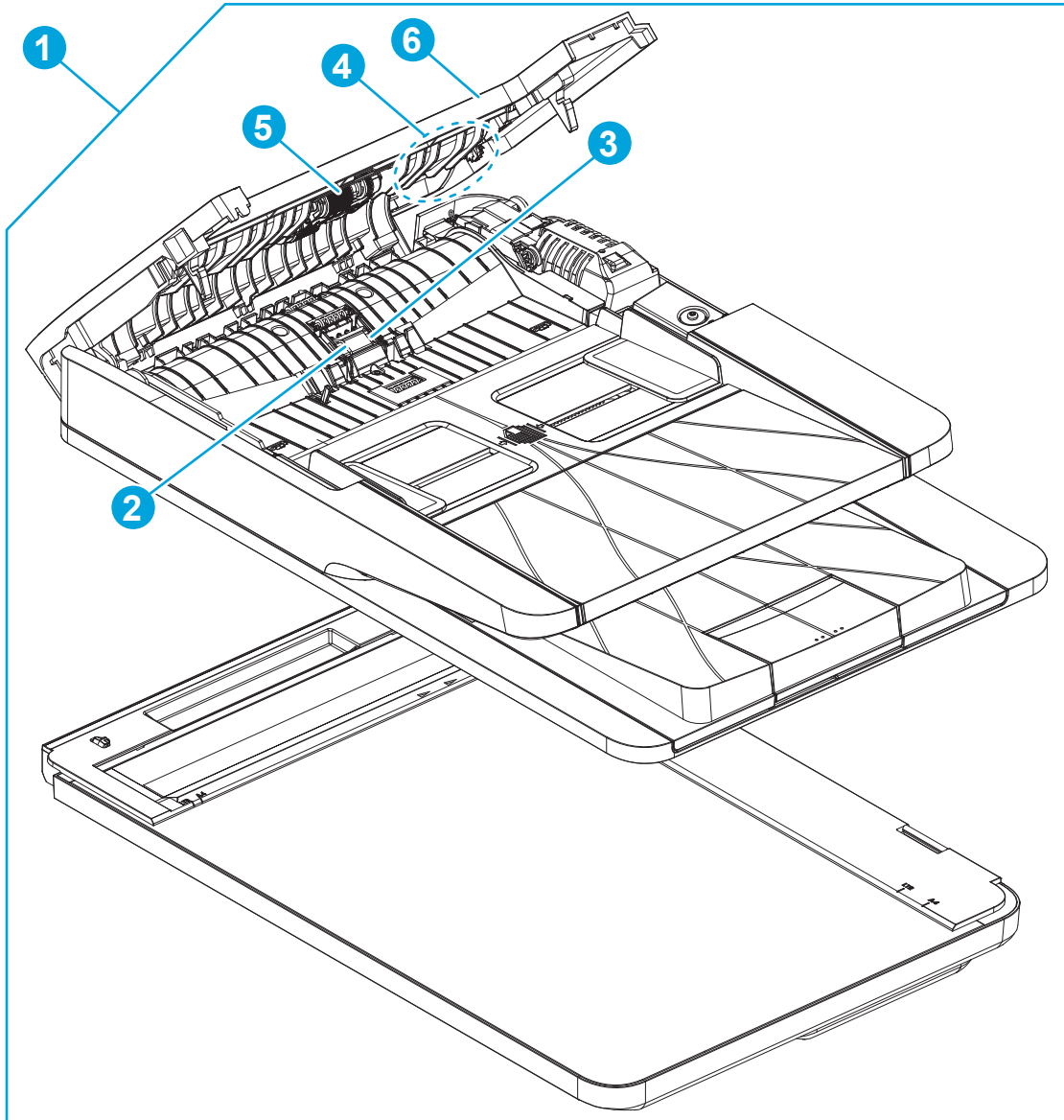


Table 2-3 Main assemblies (document feeder and image scanner)

Ref	Description	Part number	Qty
1	Document feeder and image scanner assembly (simplex models M426/M427)	C5F98-60109	1
1	Document feeder and image scanner assembly (duplex models M426/M427)	C5F98-60110	1
2	ADF separation pad	B3Q10-40080	1
3	Support, ADF separation pad	B3Q10-40079	1
Not shown	Spring, ADF separation pad (under the separation pad)	B3Q10-00019	1
4	Shaft, ADF pick extension	B3Q10-40081	1
5	ADF pick roller assembly	B3Q10-60105	1
6	Cover, ADF outer	B3Q10-40013	1
Not shown	Cover, ADF inner (under the out cover)	B3Q10-40012	1
Not shown	Ferrite ISA (M426fdn; M426fdw; M427fdn; M427fdw)	9170-2664	1
Not shown	Ferrite, ISA	9170-2437	1
Not shown	Ferrite, motor	9170-2659	1
Not shown	Cover, FFC	C5F98-40002	1
Not shown	Cover, core	C5F98-40003	1
Not shown	ISA lift	B3Q10-60128	1
Not shown	Slider pin, ISA lift	B3Q10-40041	1

Covers, printer base

Covers, M402 and M403

Figure 2-2 Covers, M402 and M403

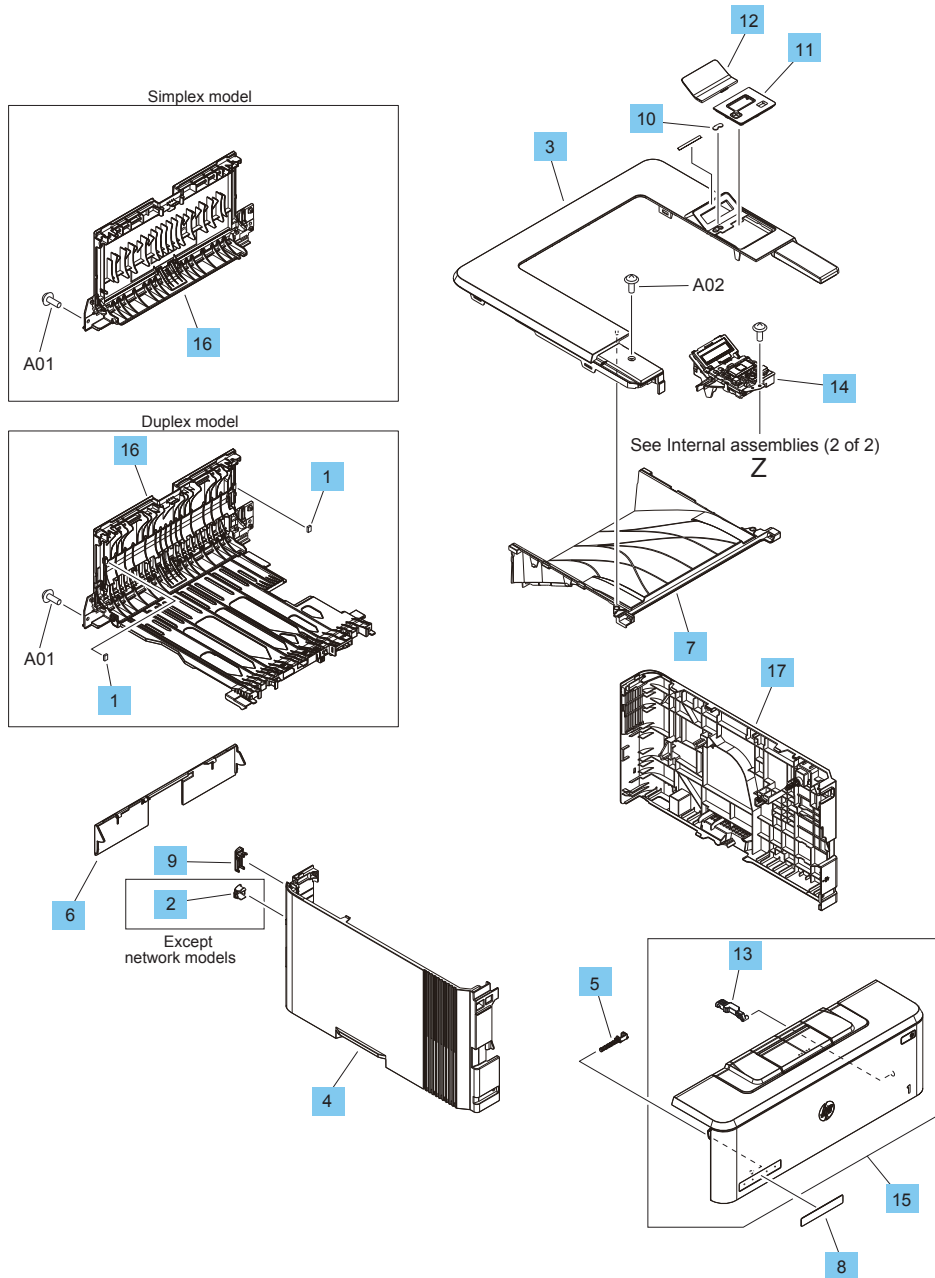


Table 2-4 Covers, M402 and M403

Ref	Description	Part number	Qty
1	Sheet, damper (duplex models only)	RC2-6075-000CN	2
2	Cover, network (non-network models M402/M403)	RC4-2907-000CN	1
3	Cover, top (M402/M403)	RC4-2956-000CN	1
4	Cover, left (M402/M403)	RL2-0673-000CN	1
5	Shaft, support	RC4-3002-000CN	1
6	Cover, cassette rear	RC4-3082-000CN	1
7	Tray, paper delivery	RC4-3231-000CN	1
8	Plate, name M402d	RC4-3288-000CN	1
8	Plate, name M402n	RC4-3270-000CN	1
8	Plate, name M403n	RC4-3267-000CN	1
8	Plate, name M403d	RC4-3266-000CN	1
8	Plate, name M402dn	RC4-3264-000CN	1
8	Plate, name M403dn	RC4-3268-000CN	1
8	Plate, name M402dw	RC4-3265-000CN	1
8	Plate, name M403dw	RC4-3269-000CN	1
9	Cover, rear USB (M402/M403)	RC4-3298-000CN	1
10	Guide, LED light	RC4-3311-000CN	1
11	Cover, operation (non-wireless models M402/M403)	RC4-3312-000CN	1
11	Cover, operation (wireless models M402/M403)	RC4-3322-000CN	1
12	Cover, indication	RL2-0675-000CN	1
13	Link, pressure release	RC4-4479-000CN	1
14	Control-panel assembly (non-wireless models M402/M403)	RM2-5391-000CN	1
14	Control-panel assembly (wireless models M402/M403)	RM2-5424-000CN	1
15	Cartridge door assembly (non-NFC models M402/M403)	RM2-5390-000CN	1
15	Cartridge door assembly (NFC models M402/M403)	RM2-5436-000CN	1
16	Door, rear assembly (simplex models M402/M403)	RM2-5430-000CN	1
16	Door, rear assembly (duplex models only)	RM2-5405-000CN	1
17	Cover, right assembly	RM2-5434-000CN	1
Not shown	HP logo jewel	7121-8686	1

Covers, M426 and M427

Figure 2-3 Covers, M426 and M427

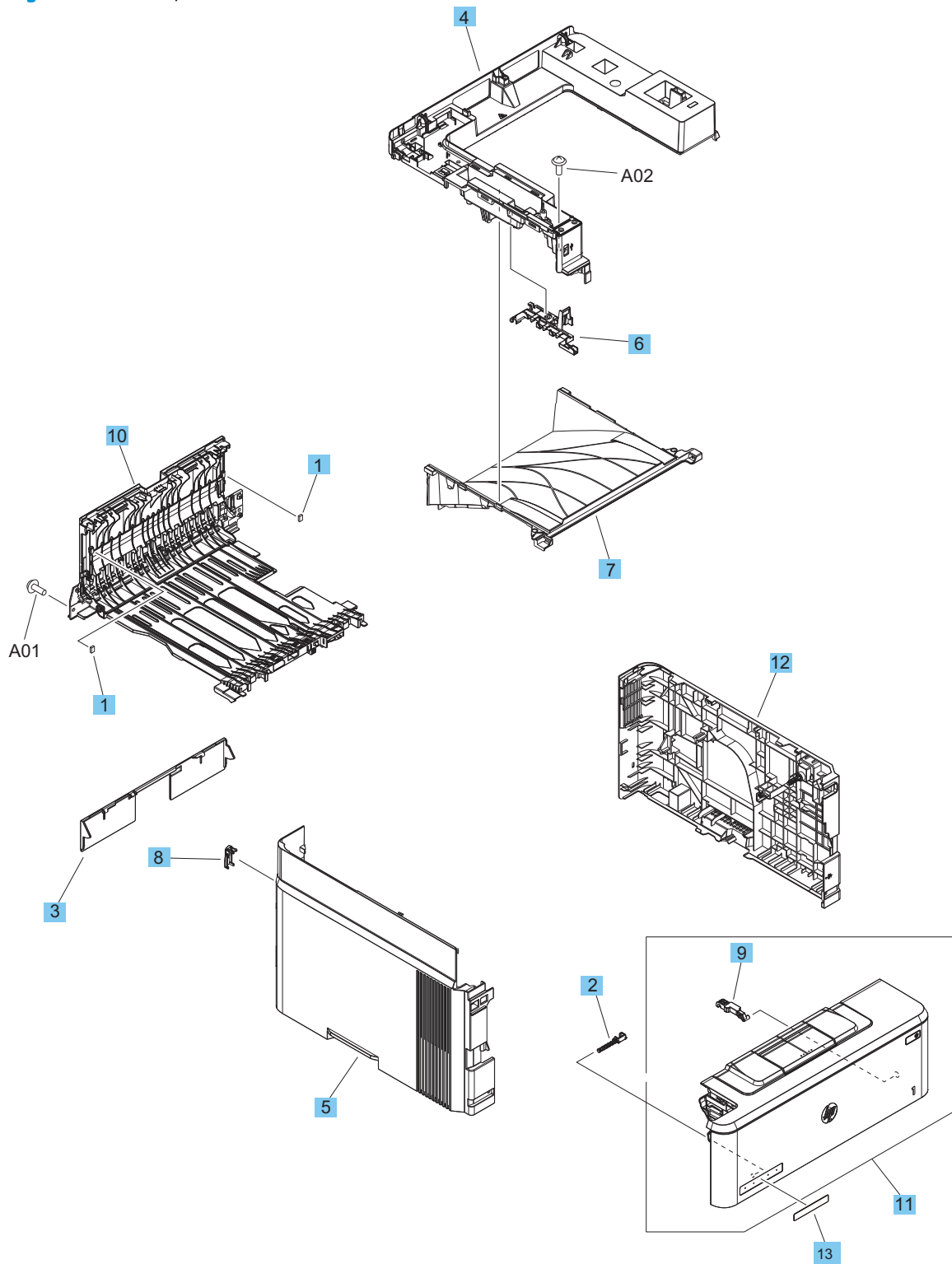


Table 2-5 Covers, M426 and M427

Ref	Description	Part number	Qty
1	Sheet, damper	RC2-6075-000CN	2
2	Shaft, support	RC4-3002-000CN	1
3	Cover, cassette rear	RC4-3082-000CN	1
4	Cover, top (M426/M427)	RC4-3207-000CN	1
5	Cover, left (M426/M427)	RL2-0674-000CN	1
6	Guide, cable	RC4-3217-000CN	1
7	Tray, paper delivery	RC4-3231-000CN	1
8	Cover, rear USB (M426 and M427)	RC4-3299-000CN	1
9	Link, pressure release	RC4-4479-000CN	1
10	Door, rear (duplex models only)	RM2-5405-000CN	1
11	Door, cartridge assembly (non-NFC models M426/M427)	RM2-5408-000CN	1
11	Door, cartridge assembly (NFC models M426/M427)	RM2-5435-000CN	1
12	Cover, right assembly	RM2-5434-000CN	1
13	Name plate M427dw	C5F97-40001	1
13	Name plate M427dn	C5F98-40004	1
13	Name plate M427fdw	C5F99-40002	1
13	Name plate M426dw	F6W13-40002	1
13	Name plate M426fdn	F6W14-40002	1
13	Name plate M426fdw	F6W15-40002	1
Not shown	Control panel (M426/M427)	B3Q10-60139	1
Not shown	Control panel mount cover	B3Q11-40002	1
Not shown	Control panel mount base	B3Q11-40001	1
Not shown	Control panel mount chassis assembly	B3Q10-60145	1
Not shown	Control panel 22-pin FFC	C5F98-60104	1
Not shown	Cover, fax port (M426fdn; M426fdw; 427fdn; M427fdw)	C5F99-40003	1
Not shown	HP logo jewel	7121-8686	1

Internal components, printer base

Internal components, printer base (1 of 3)

Figure 2-4 Internal components, printer base (1 of 5)

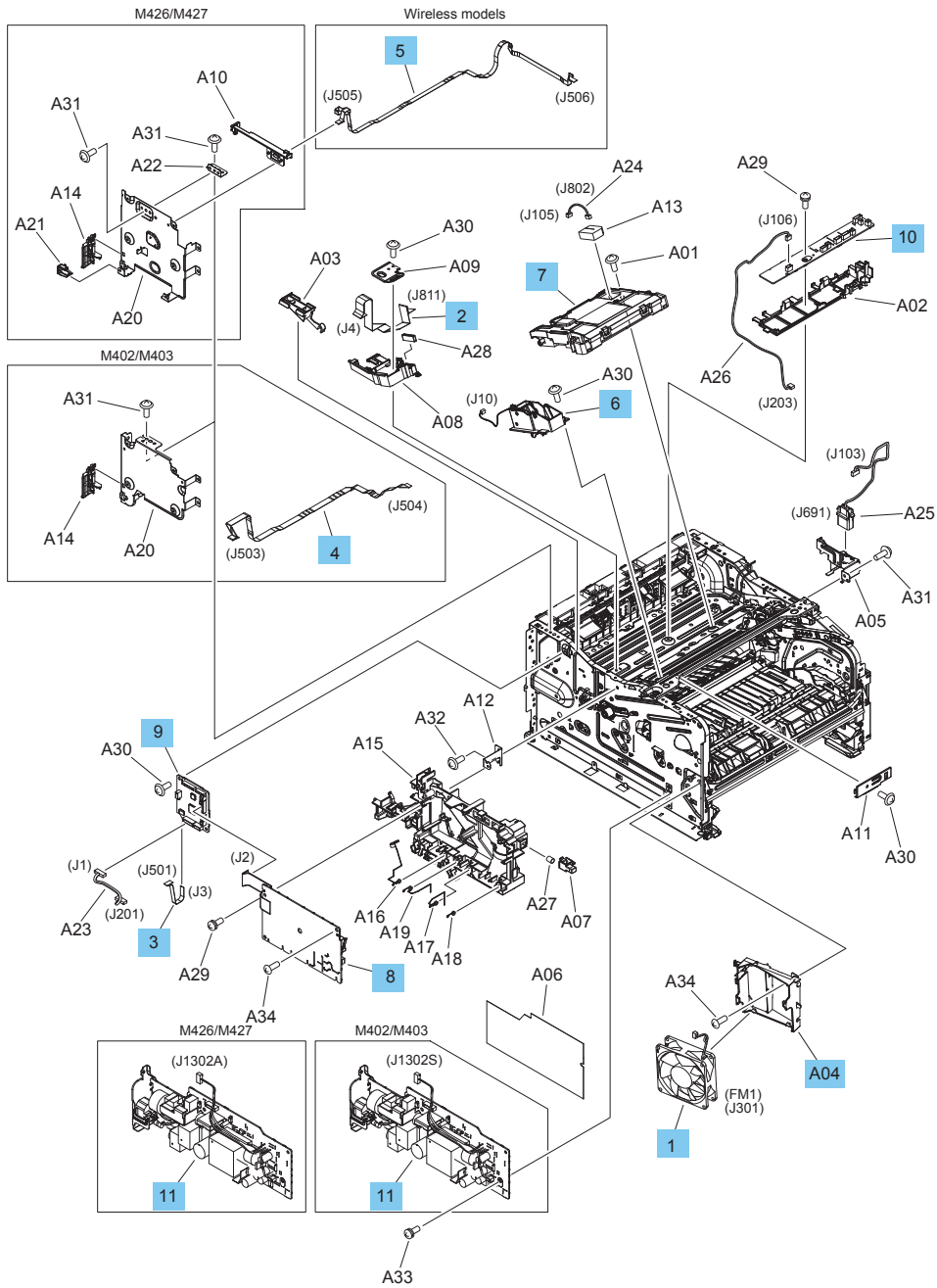


Table 2-6 Internal components, printer base (1 of 3)

Ref	Description	Part number	Qty
1	Fan, FM1	RK2-8068-000CN	1
2	Cable, laser-scanner FFC	RK2-6919-000CN	1
3	Cable, formatter FFC (M246/M247)	RK2-6931-000CN	1
3	Cable, formatter FFC (M402/M403)	RK2-6920-000CN	1
4	Cable, panel FFC (M402/M403)	RK2-6943-000CN	1
5	Cable, Near field communication (NFC) FFC (wireless models M402/M403)	RK2-6947-000CN	1
5	Cable, Near field communication (NFC) FFC (wireless models M426/M427)	RK2-6949-000CN	1
6	Cable, tag assembly	RM2-5426-000CN	1
7	Laser-scanner assembly	RM2-5528-000CN	1
8	High-voltage power supply (HVPS) PCA	RM2-7508-000CN	1
9	DC controller PCA	RM2-8680-000CN	1
10	Connecting PCA (duplex models)	RM2-7510-000CN	1
10	Connecting PCA (simplex models)	RM2-8510-000CN	1
11	Low-voltage power supply (LVPS) PCA (110–127 V M426/M427)	RM2-8518-000CN	1
11	Low-voltage power supply (LVPS) PCA (220–240 V M426/M427)	RM2-8519-000CN	1
11	Low-voltage power supply (LVPS) PCA (110–127 V M402/M403)	RM2-8517-000CN	1
11	Low-voltage power supply (LVPS) PCA (220–240 V M402/M403)	RM2-8516-000CN	1
A04	Duct, fan	RC4-2891-000CN	1
Not shown	Duplex release button	RC2-6075-000CN	1
Not shown	Pad, thermal transfer	5851-6550	1
Not shown	Formatter PCA (M426dw; M427dw)	C5F99-60001	1
Not shown	Formatter PCA (M426fdn; M426fdw; M427fdn; M427fdw)	C5F98-60001	1
Not shown	Formatter PCA (M402d; M403d)	C5F92-60001	1
Not shown	Formatter PCA (M402n; M402dn; M403n; M403dn)	C5F93-60001	1
Not shown	Formatter PCA (M402dw; M403dw)	C5F94-60001	1
Not shown	Fax PCA (US/AP; M426fdn; M426fdw; 427fdn; M427fdw)	CF206-60001	1
Not shown	Fax PCA (Euro; M426fdn; M426fdw; 427fdn; M427fdw)	CF207-60001	1
Not shown	Fax PCA (Brazil; M426fdn; M426fdw; 427fdn; M427fdw)	CF208-60001	1
Not shown	Spacer, hexagonal fax (M426fdn; M426fdw; 427fdn; M427fdw)	C5F98-20001	1
Not shown	Wireless module	0960-3293	1
Not shown	Wireless holder	B3Q10-40054	1

Internal components, printer base (2 of 3)

Figure 2-5 Internal components, printer base (2 of 3)

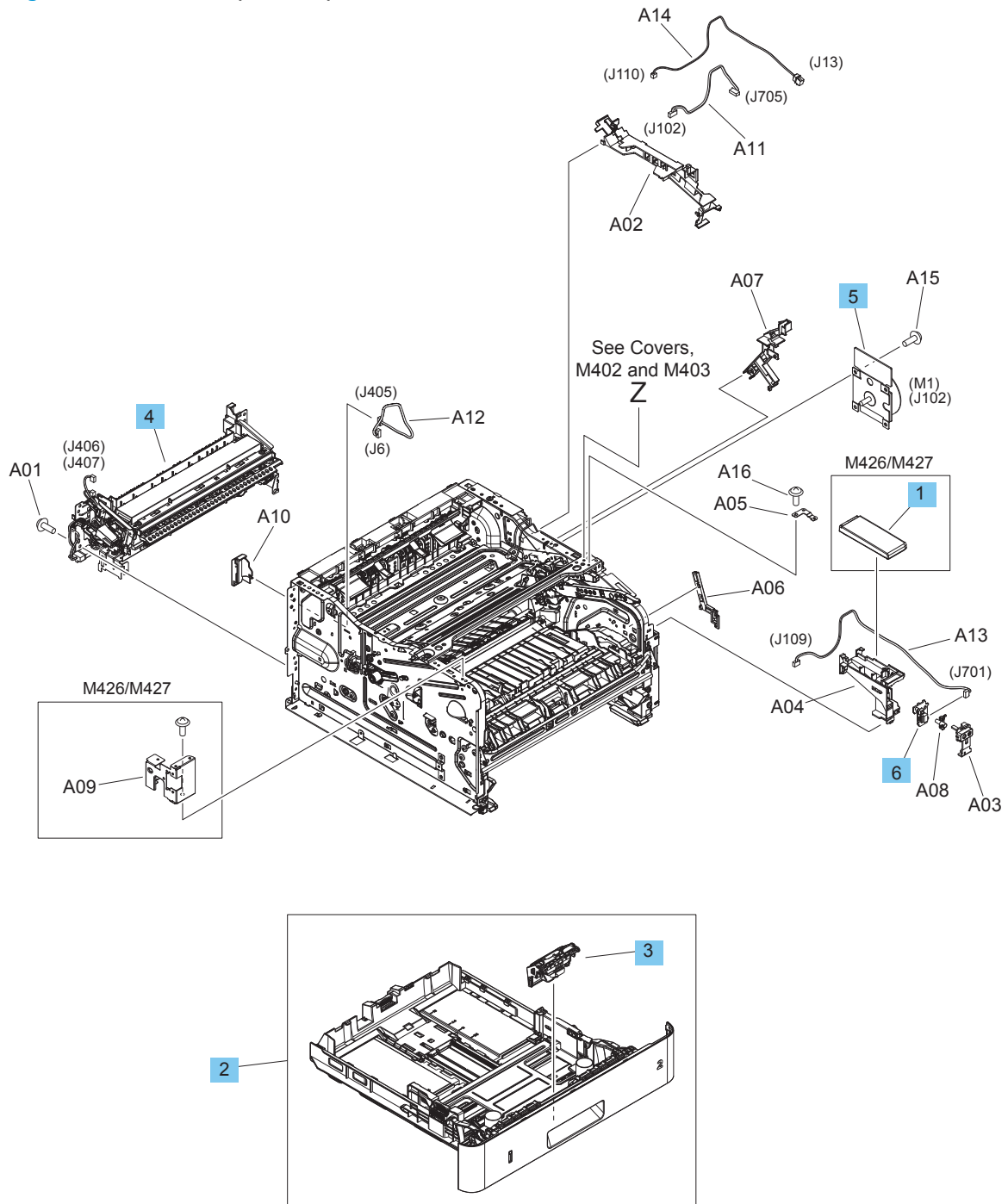


Table 2-7 Internal components, printer base (2 of 3)

Ref	Description	Part number	Qty
1	Cover, Near field communication (NFC) (M426/M427)	RC4-2961-000CN	1
2	Cassette (Tray 2) assembly	RM2-5392-000CN	1
3	Roller, separation assembly	RM2-5397-000CN	1
4	Fixing (fuser) assembly (110-127 V)	RM2-5399-000CN	1
4	Fixing (fuser) assembly (220-240 V)	RM2-5425-000CN	1
5	Main motor assembly	RM2-8684-000CN	1
6	Switch, power PCA	RM2-8506-000CN	1
Not shown	Ferrite, motor	9170-2659	1
Not shown	Walkup USB PCA (M426/M427)	CF368-60001	1
Not shown	Cable, walkup USB (M426/M427)	C5F98-60105	1
Not shown	NFC module	B4K93-60001	1

Internal components, printer base (3 of 3)

Figure 2-6 Internal components, printer base (3 of 3)

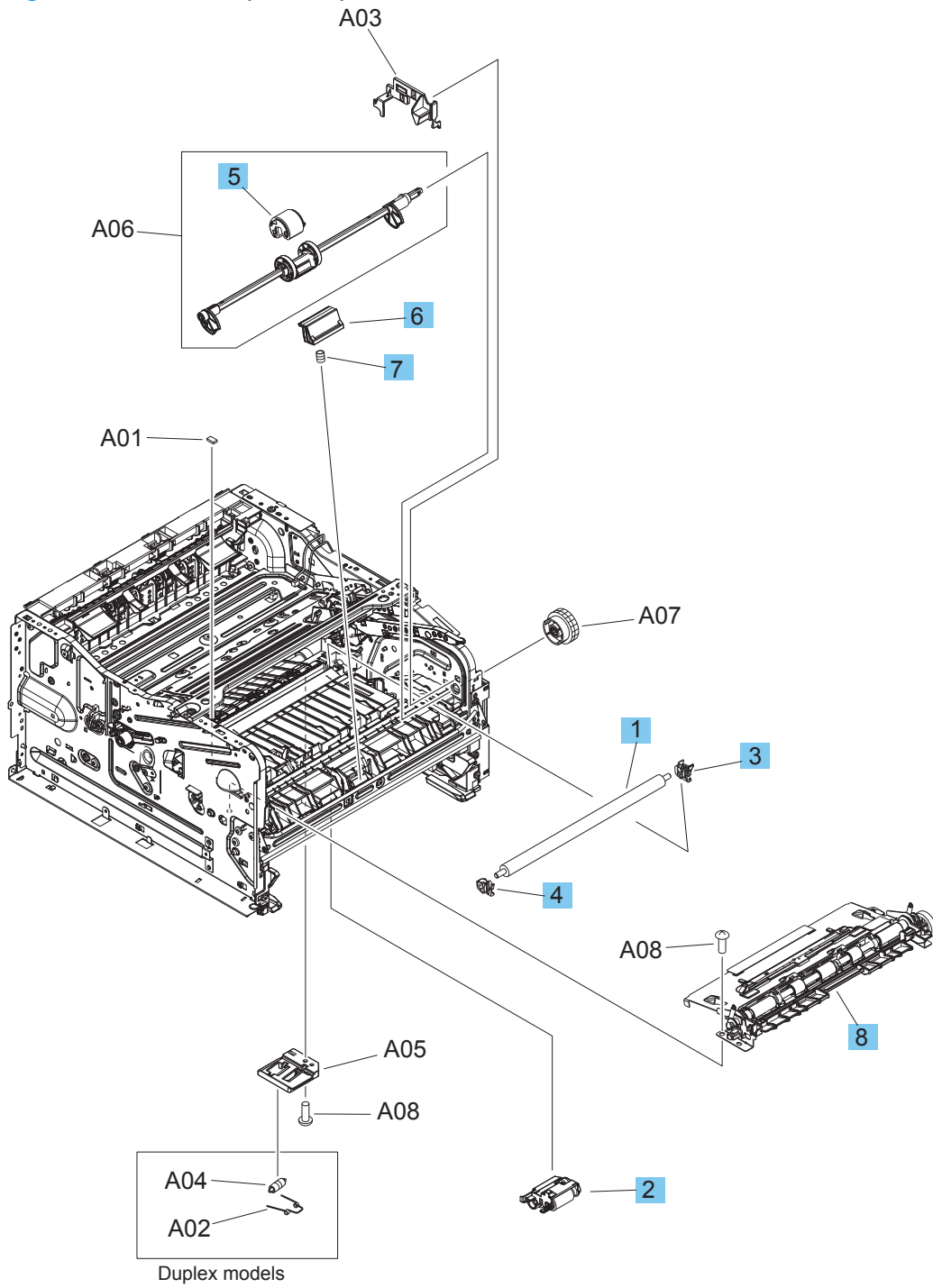


Table 2-8 Internal components, printer base (3 of 3)

Ref	Description	Part number	Qty
1	Roller, transfer	RM1-4023-000CN	1
2	Roller, paper pickup assembly	RM2-5452-000CN	1
3	Holder, transfer roller right	RC4-3133-000CN	1
4	Holder, transfer roller left	RC4-3134-000CN	1
5	Roller, multi-purpose (Tray 1)	RL2-0656-000CN	1
6	Pad, multi-purpose (Tray 1) separation	RL2-0657-000CN	1
7	Spring, compression	RU8-2935-000CN	1
8	Registration assembly	RM2-5671-000CN	1

550-sheet paper feeder

Covers, 550-sheet paper feeder

Figure 2-7 Covers, 550-sheet paper feeder

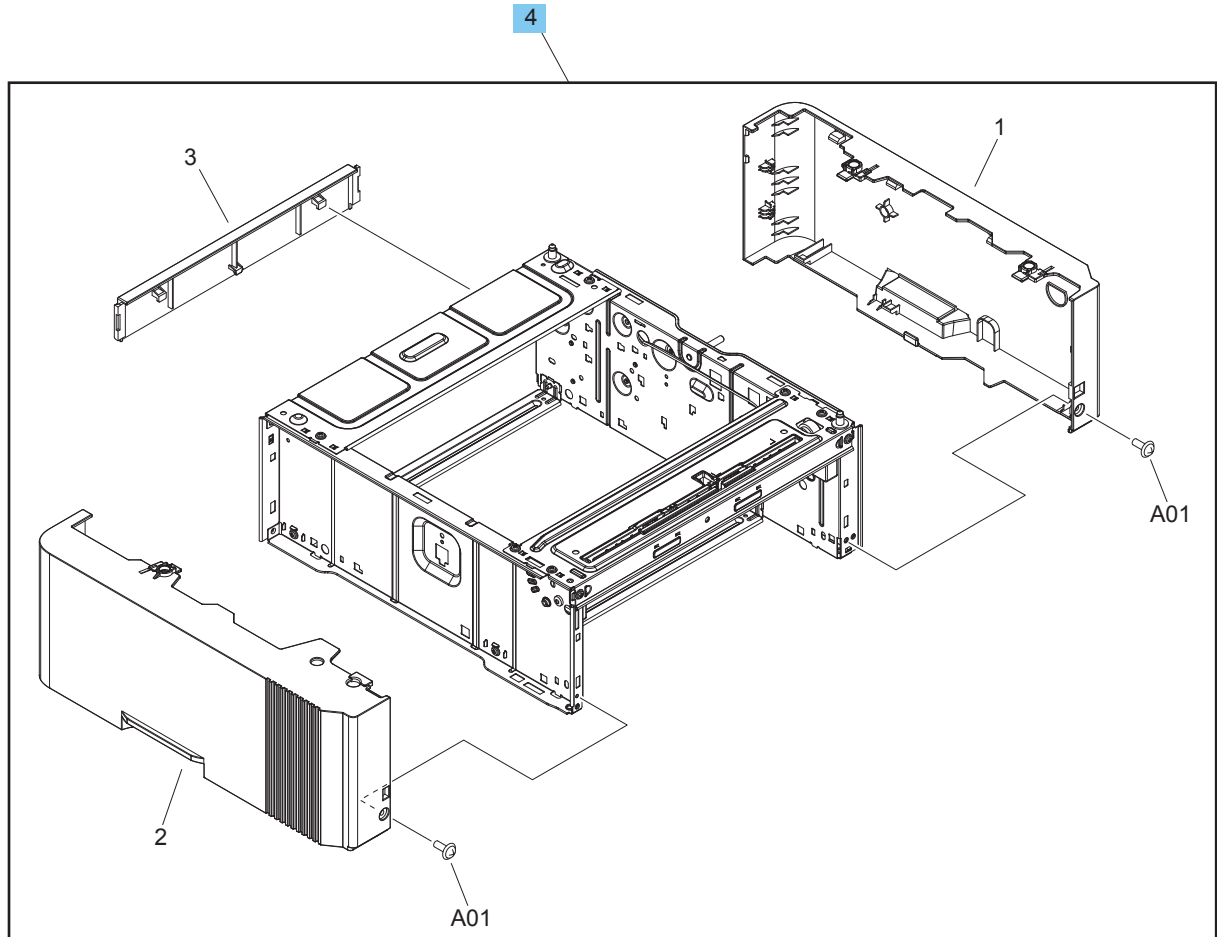


Table 2-9 Covers, 550-sheet paper feeder

Ref	Description	Part number	Qty
4	Paper feeder, 550-sheet assembly (whole unit)	C5F97-69001	1

Main body, 550-sheet paper feeder

Figure 2-8 Main body, 550-sheet paper feeder

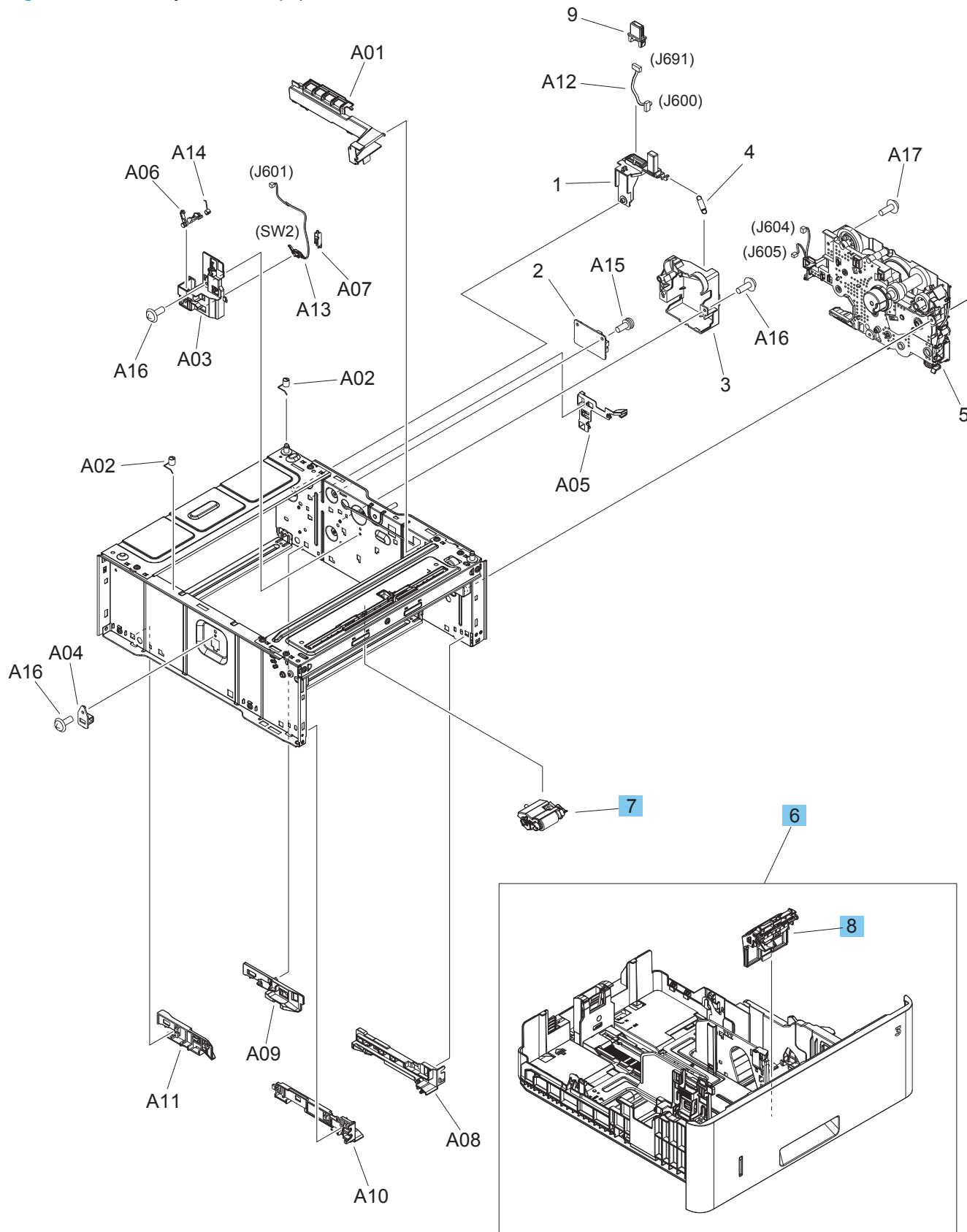


Table 2-10 Main body, 550-sheet paper feeder

Ref	Description	Part number	Qty
6	Cassette assembly (550-sheet feeder)	RM2-5413-000CN	1
7	Roller, paper pickup assembly (550-sheet feeder)	RM2-5741-000CN	1
8	Roller, separation assembly (550-sheet feeder)	RM2-5745-000CN	1

Alphabetical parts list

Table 2-11 Alphabetical parts list

Description	Part number	Table and page
ADF pick roller assembly	B3Q10-60105	Main assemblies (document feeder and image scanner) on page 1209
ADF separation pad	B3Q10-40080	Main assemblies (document feeder and image scanner) on page 1209
Cable, formatter FFC (M246/M247)	RK2-6931-000CN	Internal components, printer base (1 of 3) on page 1215
Cable, formatter FFC (M402/M403)	RK2-6920-000CN	Internal components, printer base (1 of 3) on page 1215
Cable, laser-scanner FFC	RK2-6919-000CN	Internal components, printer base (1 of 3) on page 1215
Cable, Near field communication (NFC) FFC (wireless models M402/M403)	RK2-6947-000CN	Internal components, printer base (1 of 3) on page 1215
Cable, Near field communication (NFC) FFC (wireless models M426/M427)	RK2-6949-000CN	Internal components, printer base (1 of 3) on page 1215
Cable, panel FFC (M402/M403)	RK2-6943-000CN	Internal components, printer base (1 of 3) on page 1215
Cable, tag assembly	RM2-5426-000CN	Internal components, printer base (1 of 3) on page 1215
Cable, walkup USB (M426/M427)	C5F98-60105	Internal components, printer base (2 of 3) on page 1217
Cartridge door assembly (NFC models M402/M403)	RM2-5436-000CN	Covers, M402 and M403 on page 1211
Cartridge door assembly (non-NFC models M402/M403)	RM2-5390-000CN	Covers, M402 and M403 on page 1211
Cassette (Tray 2) assembly	RM2-5392-000CN	Internal components, printer base (2 of 3) on page 1217
Cassette assembly (550-sheet feeder)	RM2-5413-000CN	Main body, 550-sheet paper feeder on page 1223
Connecting PCA (duplex models)	RM2-7510-000CN	Internal components, printer base (1 of 3) on page 1215
Connecting PCA (simplex models)	RM2-8510-000CN	Internal components, printer base (1 of 3) on page 1215
Control panel (M426/M427)	B3Q10-60139	Covers, M426 and M427 on page 1213
Control panel 22-pin FFC	C5F98-60104	Covers, M426 and M427 on page 1213
Control panel mount base	B3Q11-40001	Covers, M426 and M427 on page 1213
Control panel mount chassis assembly	B3Q10-60145	Covers, M426 and M427 on page 1213

Table 2-11 Alphabetical parts list (continued)

Description	Part number	Table and page
Control panel mount cover	B3Q11-40002	Covers, M426 and M427 on page 1213
Control-panel assembly (non-wireless models M402/M403)	RM2-5391-000CN	Covers, M402 and M403 on page 1211
Control-panel assembly (wireless models M402/M403)	RM2-5424-000CN	Covers, M402 and M403 on page 1211
Cover, ADF inner (under the out cover)	B3Q10-40012	Main assemblies (document feeder and image scanner) on page 1209
Cover, ADF outer	B3Q10-40013	Main assemblies (document feeder and image scanner) on page 1209
Cover, cassette rear	RC4-3082-000CN	Covers, M402 and M403 on page 1211
Cover, cassette rear	RC4-3082-000CN	Covers, M426 and M427 on page 1213
Cover, core	C5F98-40003	Main assemblies (document feeder and image scanner) on page 1209
Cover, fax port (M426fdn; M426fdw; 427fdn; M427fdw)	C5F99-40003	Covers, M426 and M427 on page 1213
Cover, FFC	C5F98-40002	Main assemblies (document feeder and image scanner) on page 1209
Cover, indication	RL2-0675-000CN	Covers, M402 and M403 on page 1211
Cover, left (M402/M403)	RL2-0673-000CN	Covers, M402 and M403 on page 1211
Cover, left (M426/M427)	RL2-0674-000CN	Covers, M426 and M427 on page 1213
Cover, Near field communication (NFC) (M426/M427)	RC4-2961-000CN	Internal components, printer base (2 of 3) on page 1217
Cover, network (non-network models M402/M403)	RC4-2907-000CN	Covers, M402 and M403 on page 1211
Cover, operation (non-wireless models M402/M403)	RC4-3312-000CN	Covers, M402 and M403 on page 1211
Cover, operation (wireless models M402/M403)	RC4-3322-000CN	Covers, M402 and M403 on page 1211
Cover, rear USB (M402/M403)	RC4-3298-000CN	Covers, M402 and M403 on page 1211
Cover, rear USB (M426 and M427)	RC4-3299-000CN	Covers, M426 and M427 on page 1213
Cover, right assembly	RM2-5434-000CN	Covers, M402 and M403 on page 1211

Table 2-11 Alphabetical parts list (continued)

Description	Part number	Table and page
Cover, right assembly	RM2-5434-000CN	Covers, M426 and M427 on page 1213
Cover, top (M402/M403)	RC4-2956-000CN	Covers, M402 and M403 on page 1211
Cover, top (M426/M427)	RC4-3207-000CN	Covers, M426 and M427 on page 1213
DC controller PCA	RM2-8680-000CN	Internal components, printer base (1 of 3) on page 1215
Document feeder and image scanner assembly (duplex models M426/M427)	C5F98-60110	Main assemblies (document feeder and image scanner) on page 1209
Document feeder and image scanner assembly (simplex models M426/M427)	C5F98-60109	Main assemblies (document feeder and image scanner) on page 1209
Door, cartridge assembly (NFC models M426/M427)	RM2-5435-000CN	Covers, M426 and M427 on page 1213
Door, cartridge assembly (non-NFC models M426/M427)	RM2-5408-000CN	Covers, M426 and M427 on page 1213
Door, rear (duplex models only)	RM2-5405-000CN	Covers, M426 and M427 on page 1213
Door, rear assembly (duplex models only)	RM2-5405-000CN	Covers, M402 and M403 on page 1211
Door, rear assembly (simplex models M402/M403)	RM2-5430-000CN	Covers, M402 and M403 on page 1211
Duct, fan	RC4-2891-000CN	Internal components, printer base (1 of 3) on page 1215
Duplex release button	RC2-6075-000CN	Internal components, printer base (1 of 3) on page 1215
Fan, FM1	RK2-8068-000CN	Internal components, printer base (1 of 3) on page 1215
Fax PCA (Brazil; M426fdn; M426fdw; 427fdn; M427fdw)	CF208-60001	Internal components, printer base (1 of 3) on page 1215
Fax PCA (Euro; M426fdn; M426fdw; 427fdn; M427fdw)	CF207-60001	Internal components, printer base (1 of 3) on page 1215
Fax PCA (US/AP; M426fdn; M426fdw; 427fdn; M427fdw)	CF206-60001	Internal components, printer base (1 of 3) on page 1215
Ferrite ISA (M426fdn; M426fdw; M427fdn; M427fdw)	9170-2664	Main assemblies (document feeder and image scanner) on page 1209
Ferrite, ISA	9170-2437	Main assemblies (document feeder and image scanner) on page 1209
Ferrite, motor	9170-2659	Main assemblies (document feeder and image scanner) on page 1209

Table 2-11 Alphabetical parts list (continued)

Description	Part number	Table and page
Ferrite, motor	9170-2659	Internal components, printer base (2 of 3) on page 1217
Fixing (fuser) assembly (110-127 V)	RM2-5399-000CN	Internal components, printer base (2 of 3) on page 1217
Fixing (fuser) assembly (220-240 V)	RM2-5425-000CN	Internal components, printer base (2 of 3) on page 1217
Formatter PCA (M402d; M403d)	C5F92-60001	Internal components, printer base (1 of 3) on page 1215
Formatter PCA (M402dw; M403dw)	C5F94-60001	Internal components, printer base (1 of 3) on page 1215
Formatter PCA (M402n; M402dn; M403n; M403dn)	C5F93-60001	Internal components, printer base (1 of 3) on page 1215
Formatter PCA (M426dw; M427dw)	C5F99-60001	Internal components, printer base (1 of 3) on page 1215
Formatter PCA (M426fdn; M426fdw; M427fdn; M427fdw)	C5F98-60001	Internal components, printer base (1 of 3) on page 1215
Guide, cable	RC4-3217-000CN	Covers, M426 and M427 on page 1213
Guide, LED light	RC4-3311-000CN	Covers, M402 and M403 on page 1211
High-voltage power supply (HVPS) PCA	RM2-7508-000CN	Internal components, printer base (1 of 3) on page 1215
Holder, transfer roller left	RC4-3134-000CN	Internal components, printer base (3 of 3) on page 1219
Holder, transfer roller right	RC4-3133-000CN	Internal components, printer base (3 of 3) on page 1219
HP logo jewel	7121-8686	Covers, M402 and M403 on page 1211
HP logo jewel	7121-8686	Covers, M426 and M427 on page 1213
ISA lift	B3Q10-60128	Main assemblies (document feeder and image scanner) on page 1209
Laser-scanner assembly	RM2-5528-000CN	Internal components, printer base (1 of 3) on page 1215
Link, pressure release	RC4-4479-000CN	Covers, M402 and M403 on page 1211
Link, pressure release	RC4-4479-000CN	Covers, M426 and M427 on page 1213
Low-voltage power supply (LVPS) PCA (110-127 V M402/M403)	RM2-8517-000CN	Internal components, printer base (1 of 3) on page 1215
Low-voltage power supply (LVPS) PCA (110-127 V M426/M427)	RM2-8518-000CN	Internal components, printer base (1 of 3) on page 1215

Table 2-11 Alphabetical parts list (continued)

Description	Part number	Table and page
Low-voltage power supply (LVPS) PCA (220–240 V M402/M403)	RM2-8516-000CN	Internal components, printer base (1 of 3) on page 1215
Low-voltage power supply (LVPS) PCA (220–240 V M426/M427)	RM2-8519-000CN	Internal components, printer base (1 of 3) on page 1215
Main motor assembly	RM2-8684-000CN	Internal components, printer base (2 of 3) on page 1217
Name plate M426dw	F6W13-40002	Covers, M426 and M427 on page 1213
Name plate M426fdn	F6W14-40002	Covers, M426 and M427 on page 1213
Name plate M426fdw	F6W15-40002	Covers, M426 and M427 on page 1213
Name plate M427dn	C5F98-40004	Covers, M426 and M427 on page 1213
Name plate M427dw	C5F97-40001	Covers, M426 and M427 on page 1213
Name plate M427fdw	C5F99-40002	Covers, M426 and M427 on page 1213
NFC module	B4K93-60001	Internal components, printer base (2 of 3) on page 1217
Pad, multi-purpose (Tray 1) separation	RL2-0657-000CN	Internal components, printer base (3 of 3) on page 1219
Pad, thermal transfer	5851-6550	Internal components, printer base (1 of 3) on page 1215
Paper feeder, 550-sheet assembly (whole unit)	C5F97-69001	Covers, 550-sheet paper feeder on page 1221
Plate, name M402d	RC4-3288-000CN	Covers, M402 and M403 on page 1211
Plate, name M402dn	RC4-3264-000CN	Covers, M402 and M403 on page 1211
Plate, name M402dw	RC4-3265-000CN	Covers, M402 and M403 on page 1211
Plate, name M402n	RC4-3270-000CN	Covers, M402 and M403 on page 1211
Plate, name M403d	RC4-3266-000CN	Covers, M402 and M403 on page 1211
Plate, name M403dn	RC4-3268-000CN	Covers, M402 and M403 on page 1211
Plate, name M403dw	RC4-3269-000CN	Covers, M402 and M403 on page 1211
Plate, name M403n	RC4-3267-000CN	Covers, M402 and M403 on page 1211

Table 2-11 Alphabetical parts list (continued)

Description	Part number	Table and page
Registration assembly	RM2-5671-000CN	Internal components, printer base (3 of 3) on page 1219
Roller, multi-purpose (Tray 1)	RL2-0656-000CN	Internal components, printer base (3 of 3) on page 1219
Roller, paper pickup assembly	RM2-5452-000CN	Internal components, printer base (3 of 3) on page 1219
Roller, paper pickup assembly (550-sheet feeder)	RM2-5741-000CN	Main body, 550-sheet paper feeder on page 1223
Roller, separation assembly	RM2-5397-000CN	Internal components, printer base (2 of 3) on page 1217
Roller, separation assembly (550-sheet feeder)	RM2-5745-000CN	Main body, 550-sheet paper feeder on page 1223
Roller, transfer	RM1-4023-000CN	Internal components, printer base (3 of 3) on page 1219
Shaft, ADF pick extension	B3Q10-40081	Main assemblies (document feeder and image scanner) on page 1209
Shaft, support	RC4-3002-000CN	Covers, M402 and M403 on page 1211
Shaft, support	RC4-3002-000CN	Covers, M426 and M427 on page 1213
Sheet, damper	RC2-6075-000CN	Covers, M426 and M427 on page 1213
Sheet, damper (duplex models only)	RC2-6075-000CN	Covers, M402 and M403 on page 1211
Slider pin, ISA lift	B3Q10-40041	Main assemblies (document feeder and image scanner) on page 1209
Spacer, hexagonal fax (M426fdn; M426fdw; 427fdn; M427fdw)	C5F98-20001	Internal components, printer base (1 of 3) on page 1215
Spring, ADF separation pad (under the separation pad)	B3Q10-00019	Main assemblies (document feeder and image scanner) on page 1209
Spring, compression	RU8-2935-000CN	Internal components, printer base (3 of 3) on page 1219
Support, ADF separation pad	B3Q10-40079	Main assemblies (document feeder and image scanner) on page 1209
Switch, power PCA	RM2-8506-000CN	Internal components, printer base (2 of 3) on page 1217
Tray, paper delivery	RC4-3231-000CN	Covers, M402 and M403 on page 1211
Tray, paper delivery	RC4-3231-000CN	Covers, M426 and M427 on page 1213

Table 2-11 Alphabetical parts list (continued)

Description	Part number	Table and page
Walkup USB PCA (M426/M427)	CF368-60001	Internal components, printer base (2 of 3) on page 1217
Wireless holder	B3Q10-40054	Internal components, printer base (1 of 3) on page 1215
Wireless module	0960-3293	Internal components, printer base (1 of 3) on page 1215

Numerical parts list

Table 2-12 Numerical parts list

Part number	Description	Table and page
0960-3293	Wireless module	Internal components, printer base (1 of 3) on page 1215
5851-6550	Pad, thermal transfer	Internal components, printer base (1 of 3) on page 1215
7121-8686	HP logo jewel	Covers, M402 and M403 on page 1211
7121-8686	HP logo jewel	Covers, M426 and M427 on page 1213
9170-2437	Ferrite, ISA	Main assemblies (document feeder and image scanner) on page 1209
9170-2659	Ferrite, motor	Main assemblies (document feeder and image scanner) on page 1209
9170-2659	Ferrite, motor	Internal components, printer base (2 of 3) on page 1217
9170-2664	Ferrite ISA (M426fdn; M426fdw; M427fdn; M427fdw)	Main assemblies (document feeder and image scanner) on page 1209
B3Q10-00019	Spring, ADF separation pad (under the separation pad)	Main assemblies (document feeder and image scanner) on page 1209
B3Q10-40012	Cover, ADF inner (under the out cover)	Main assemblies (document feeder and image scanner) on page 1209
B3Q10-40013	Cover, ADF outer	Main assemblies (document feeder and image scanner) on page 1209
B3Q10-40041	Slider pin, ISA lift	Main assemblies (document feeder and image scanner) on page 1209
B3Q10-40054	Wireless holder	Internal components, printer base (1 of 3) on page 1215
B3Q10-40079	Support, ADF separation pad	Main assemblies (document feeder and image scanner) on page 1209
B3Q10-40080	ADF separation pad	Main assemblies (document feeder and image scanner) on page 1209
B3Q10-40081	Shaft, ADF pick extension	Main assemblies (document feeder and image scanner) on page 1209
B3Q10-60105	ADF pick roller assembly	Main assemblies (document feeder and image scanner) on page 1209

Table 2-12 Numerical parts list (continued)

Part number	Description	Table and page
B3Q10-60128	ISA lift	Main assemblies (document feeder and image scanner) on page 1209
B3Q10-60139	Control panel (M426/M427)	Covers, M426 and M427 on page 1213
B3Q10-60145	Control panel mount chassis assembly	Covers, M426 and M427 on page 1213
B3Q11-40001	Control panel mount base	Covers, M426 and M427 on page 1213
B3Q11-40002	Control panel mount cover	Covers, M426 and M427 on page 1213
B4K93-60001	NFC module	Internal components, printer base (2 of 3) on page 1217
C5F92-60001	Formatter PCA (M402d; M403d)	Internal components, printer base (1 of 3) on page 1215
C5F93-60001	Formatter PCA (M402n; M402dn; M403n; M403dn)	Internal components, printer base (1 of 3) on page 1215
C5F94-60001	Formatter PCA (M402dw; M403dw)	Internal components, printer base (1 of 3) on page 1215
C5F97-40001	Name plate M427dw	Covers, M426 and M427 on page 1213
C5F97-69001	Paper feeder, 550-sheet assembly (whole unit)	Covers, 550-sheet paper feeder on page 1221
C5F98-20001	Spacer, hexagonal fax (M426fdn; M426fdw; 427fdn; M427fdw)	Internal components, printer base (1 of 3) on page 1215
C5F98-40002	Cover, FFC	Main assemblies (document feeder and image scanner) on page 1209
C5F98-40003	Cover, core	Main assemblies (document feeder and image scanner) on page 1209
C5F98-40004	Name plate M427dn	Covers, M426 and M427 on page 1213
C5F98-60001	Formatter PCA (M426fdn; M426fdw; M427fdn; M427fdw)	Internal components, printer base (1 of 3) on page 1215
C5F98-60104	Control panel 22-pin FFC	Covers, M426 and M427 on page 1213
C5F98-60105	Cable, walkup USB (M426/M427)	Internal components, printer base (2 of 3) on page 1217
C5F98-60109	Document feeder and image scanner assembly (simplex models M426/M427)	Main assemblies (document feeder and image scanner) on page 1209
C5F98-60110	Document feeder and image scanner assembly (duplex models M426/M427)	Main assemblies (document feeder and image scanner) on page 1209

Table 2-12 Numerical parts list (continued)

Part number	Description	Table and page
C5F99-40002	Name plate M427fdw	Covers, M426 and M427 on page 1213
C5F99-40003	Cover, fax port (M426fdn; M426fdw; 427fdn; M427fdw)	Covers, M426 and M427 on page 1213
C5F99-60001	Formatter PCA (M426dw; M427dw)	Internal components, printer base (1 of 3) on page 1215
CF206-60001	Fax PCA (US/AP; M426fdn; M426fdw; 427fdn; M427fdw)	Internal components, printer base (1 of 3) on page 1215
CF207-60001	Fax PCA (Euro; M426fdn; M426fdw; 427fdn; M427fdw)	Internal components, printer base (1 of 3) on page 1215
CF208-60001	Fax PCA (Brazil; M426fdn; M426fdw; 427fdn; M427fdw)	Internal components, printer base (1 of 3) on page 1215
CF368-60001	Walkup USB PCA (M426/M427)	Internal components, printer base (2 of 3) on page 1217
F6W13-40002	Name plate M426dw	Covers, M426 and M427 on page 1213
F6W14-40002	Name plate M426fdn	Covers, M426 and M427 on page 1213
F6W15-40002	Name plate M426fdw	Covers, M426 and M427 on page 1213
RC2-6075-000CN	Sheet, damper (duplex models only)	Covers, M402 and M403 on page 1211
RC2-6075-000CN	Sheet, damper	Covers, M426 and M427 on page 1213
RC2-6075-000CN	Duplex release button	Internal components, printer base (1 of 3) on page 1215
RC4-2891-000CN	Duct, fan	Internal components, printer base (1 of 3) on page 1215
RC4-2907-000CN	Cover, network (non-network models M402/M403)	Covers, M402 and M403 on page 1211
RC4-2956-000CN	Cover, top (M402/M403)	Covers, M402 and M403 on page 1211
RC4-2961-000CN	Cover, Near field communication (NFC) (M426/M427)	Internal components, printer base (2 of 3) on page 1217
RC4-3002-000CN	Shaft, support	Covers, M402 and M403 on page 1211
RC4-3002-000CN	Shaft, support	Covers, M426 and M427 on page 1213
RC4-3082-000CN	Cover, cassette rear	Covers, M402 and M403 on page 1211
RC4-3082-000CN	Cover, cassette rear	Covers, M426 and M427 on page 1213

Table 2-12 Numerical parts list (continued)

Part number	Description	Table and page
RC4-3133-000CN	Holder, transfer roller right	Internal components, printer base (3 of 3) on page 1219
RC4-3134-000CN	Holder, transfer roller left	Internal components, printer base (3 of 3) on page 1219
RC4-3207-000CN	Cover, top (M426/M427)	Covers, M426 and M427 on page 1213
RC4-3217-000CN	Guide, cable	Covers, M426 and M427 on page 1213
RC4-3231-000CN	Tray, paper delivery	Covers, M402 and M403 on page 1211
RC4-3231-000CN	Tray, paper delivery	Covers, M426 and M427 on page 1213
RC4-3264-000CN	Plate, name M402dn	Covers, M402 and M403 on page 1211
RC4-3265-000CN	Plate, name M402dw	Covers, M402 and M403 on page 1211
RC4-3266-000CN	Plate, name M403d	Covers, M402 and M403 on page 1211
RC4-3267-000CN	Plate, name M403n	Covers, M402 and M403 on page 1211
RC4-3268-000CN	Plate, name M403dn	Covers, M402 and M403 on page 1211
RC4-3269-000CN	Plate, name M403dw	Covers, M402 and M403 on page 1211
RC4-3270-000CN	Plate, name M402n	Covers, M402 and M403 on page 1211
RC4-3288-000CN	Plate, name M402d	Covers, M402 and M403 on page 1211
RC4-3298-000CN	Cover, rear USB (M402/M403)	Covers, M402 and M403 on page 1211
RC4-3299-000CN	Cover, rear USB (M426 and M427)	Covers, M426 and M427 on page 1213
RC4-3311-000CN	Guide, LED light	Covers, M402 and M403 on page 1211
RC4-3312-000CN	Cover, operation (non-wireless models M402/M403)	Covers, M402 and M403 on page 1211
RC4-3322-000CN	Cover, operation (wireless models M402/M403)	Covers, M402 and M403 on page 1211
RC4-4479-000CN	Link, pressure release	Covers, M402 and M403 on page 1211
RC4-4479-000CN	Link, pressure release	Covers, M426 and M427 on page 1213

Table 2-12 Numerical parts list (continued)

Part number	Description	Table and page
RK2-6919-000CN	Cable, laser-scanner FFC	Internal components, printer base (1 of 3) on page 1215
RK2-6920-000CN	Cable, formatter FFC (M402/M403)	Internal components, printer base (1 of 3) on page 1215
RK2-6931-000CN	Cable, formatter FFC (M246/M247)	Internal components, printer base (1 of 3) on page 1215
RK2-6943-000CN	Cable, panel FFC (M402/M403)	Internal components, printer base (1 of 3) on page 1215
RK2-6947-000CN	Cable, Near field communication (NFC) FFC (wireless models M402/M403)	Internal components, printer base (1 of 3) on page 1215
RK2-6949-000CN	Cable, Near field communication (NFC) FFC (wireless models M426/M427)	Internal components, printer base (1 of 3) on page 1215
RK2-8068-000CN	Fan, FM1	Internal components, printer base (1 of 3) on page 1215
RL2-0656-000CN	Roller, multi-purpose (Tray 1)	Internal components, printer base (3 of 3) on page 1219
RL2-0657-000CN	Pad, multi-purpose (Tray 1) separation	Internal components, printer base (3 of 3) on page 1219
RL2-0673-000CN	Cover, left (M402/M403)	Covers, M402 and M403 on page 1211
RL2-0674-000CN	Cover, left (M426/M427)	Covers, M426 and M427 on page 1213
RL2-0675-000CN	Cover, indication	Covers, M402 and M403 on page 1211
RM1-4023-000CN	Roller, transfer	Internal components, printer base (3 of 3) on page 1219
RM2-5390-000CN	Cartridge door assembly (non-NFC models M402/M403)	Covers, M402 and M403 on page 1211
RM2-5391-000CN	Control-panel assembly (non-wireless models M402/M403)	Covers, M402 and M403 on page 1211
RM2-5392-000CN	Cassette (Tray 2) assembly	Internal components, printer base (2 of 3) on page 1217
RM2-5397-000CN	Roller, separation assembly	Internal components, printer base (2 of 3) on page 1217
RM2-5399-000CN	Fixing (fuser) assembly (110-127 V)	Internal components, printer base (2 of 3) on page 1217
RM2-5405-000CN	Door, rear assembly (duplex models only)	Covers, M402 and M403 on page 1211
RM2-5405-000CN	Door, rear (duplex models only)	Covers, M426 and M427 on page 1213
RM2-5408-000CN	Door, cartridge assembly (non-NFC models M426/M427)	Covers, M426 and M427 on page 1213

Table 2-12 Numerical parts list (continued)

Part number	Description	Table and page
RM2-5413-000CN	Cassette assembly (550-sheet feeder)	Main body, 550-sheet paper feeder on page 1223
RM2-5424-000CN	Control-panel assembly (wireless models M402/M403)	Covers, M402 and M403 on page 1211
RM2-5425-000CN	Fixing (fuser) assembly (220-240 V)	Internal components, printer base (2 of 3) on page 1217
RM2-5426-000CN	Cable, tag assembly	Internal components, printer base (1 of 3) on page 1215
RM2-5430-000CN	Door, rear assembly (simplex models M402/M403)	Covers, M402 and M403 on page 1211
RM2-5434-000CN	Cover, right assembly	Covers, M402 and M403 on page 1211
RM2-5434-000CN	Cover, right assembly	Covers, M426 and M427 on page 1213
RM2-5435-000CN	Door, cartridge assembly (NFC models M426/M427)	Covers, M426 and M427 on page 1213
RM2-5436-000CN	Cartridge door assembly (NFC models M402/M403)	Covers, M402 and M403 on page 1211
RM2-5452-000CN	Roller, paper pickup assembly	Internal components, printer base (3 of 3) on page 1219
RM2-5528-000CN	Laser-scanner assembly	Internal components, printer base (1 of 3) on page 1215
RM2-5671-000CN	Registration assembly	Internal components, printer base (3 of 3) on page 1219
RM2-5741-000CN	Roller, paper pickup assembly (550-sheet feeder)	Main body, 550-sheet paper feeder on page 1223
RM2-5745-000CN	Roller, separation assembly (550-sheet feeder)	Main body, 550-sheet paper feeder on page 1223
RM2-7508-000CN	High-voltage power supply (HVPS) PCA	Internal components, printer base (1 of 3) on page 1215
RM2-7510-000CN	Connecting PCA (duplex models)	Internal components, printer base (1 of 3) on page 1215
RM2-8506-000CN	Switch, power PCA	Internal components, printer base (2 of 3) on page 1217
RM2-8510-000CN	Connecting PCA (simplex models)	Internal components, printer base (1 of 3) on page 1215
RM2-8516-000CN	Low-voltage power supply (LVPS) PCA (220-240 V M402/M403)	Internal components, printer base (1 of 3) on page 1215
RM2-8517-000CN	Low-voltage power supply (LVPS) PCA (110-127 V M402/M403)	Internal components, printer base (1 of 3) on page 1215
RM2-8518-000CN	Low-voltage power supply (LVPS) PCA (110-127 V M426/M427)	Internal components, printer base (1 of 3) on page 1215

Table 2-12 Numerical parts list (continued)

Part number	Description	Table and page
RM2-8519-000CN	Low-voltage power supply (LVPS) PCA (220–240 V M426/M427)	Internal components, printer base (1 of 3) on page 1215
RM2-8680-000CN	DC controller PCA	Internal components, printer base (1 of 3) on page 1215
RM2-8684-000CN	Main motor assembly	Internal components, printer base (2 of 3) on page 1217
RU8-2935-000CN	Spring, compression	Internal components, printer base (3 of 3) on page 1219

