

---

## 2 Parts and diagrams

- [For additional service and support information](#)
- [Assembly locations](#)
- [Order parts, accessories, and supplies](#)
- [How to use the parts lists and diagrams](#)
- [Parts and diagrams: Document feeder and scanner whole units](#)
- [Parts and diagrams Covers](#)
- [Parts and diagrams: Internal assemblies](#)
- [Parts and diagrams: Accessories](#)
- [Alphabetical parts list](#)
- [Numerical parts list](#)

## For additional service and support information

HP service personnel, go to the Service Access Work Bench (SAW) at <http://h41302.www4.hp.com/km/saw/home.do>.

Channel partners, go to HP Channel Services Network (CSN) at <https://h30125.www3.hp.com/hpcsn>.

- To access HP PartSurfer information from any mobile device, go to <http://partsurfermobile.hp.com/> or scan the Quick Response (QR) code below.

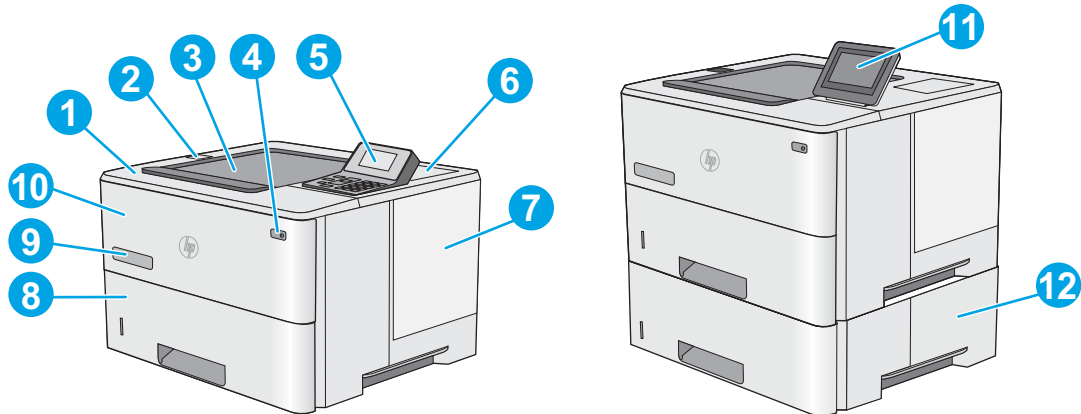


- Install and configure
- Printer specifications
- Up-to-date control panel message (CPMD) troubleshooting
- Solutions for printer issues and emerging issues
- Remove and replace part instructions and videos
- Service advisories
- Warranty and regulatory information

# Assembly locations

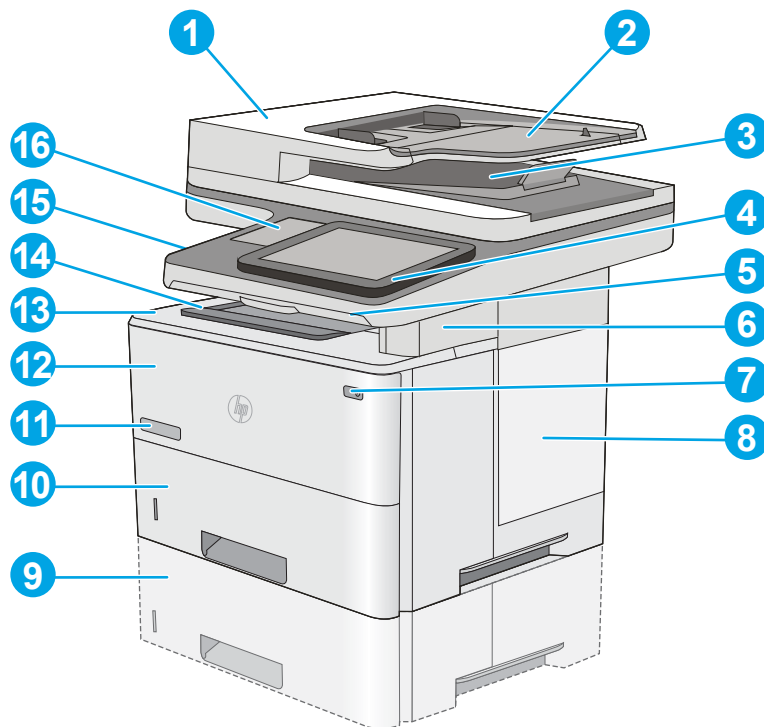
- [Printer front view \(M501/M506\)](#)
- [Printer front view \(M527\)](#)
- [Product back view \(M501/M506\)](#)
- [Product back view \(M527\)](#)

## Printer front view (M501/M506)



1	Top cover (access to the toner cartridge)
2	Easy-access USB port (M506 only)  Insert a USB flash drive for printing without a computer or to update the printer firmware.  <b>NOTE:</b> An administrator must enable this port before use.
3	Standard output bin
4	On/off button
5	4-line LCD control panel with keypad (M506n and M506dn models only)  2-line LCD control panel with keypad (M501)
6	Hardware integration pocket for connecting accessory and third-party devices (M506dn and M506x models only)  <b>NOTE:</b> To use the hardware integration pocket (HIP), install the HP internal USB ports accessory (B5L28A). The USB port inside the HIP is not functional otherwise.
7	Formatter cover
8	Tray 2
9	Model name
10	Tray 1
11	Control panel with color touchscreen display (M506x models only)
12	1 x 550-sheet paper feeder, Tray 3 (included with the M506x model, optional for the other models)  <b>NOTE:</b> The M506 printer models accepts up to three optional 1 x 550-sheet feeders (Trays 3, 4, and 5). Tray 3 is included with the M506 x model. The M501 printer accepts one optional 1 x 550-sheet feeder (Trays 3).

## Printer front view (M527)



1 Document-feeder cover (access for clearing jams)

2 Document-feeder input tray

3 Document-feeder output bin

**NOTE:** When feeding long paper through the document feeder, extend the paper stop at the right side of the output bin.

4 Control panel with color touchscreen display (tilts up for easier viewing)

5 Physical keyboard (z model only). Pull the keyboard straight out to use it.

6 Convenience stapler (f and z models only)

7 On/off button

8 Formatter cover

9 Optional 1 x 550-sheet paper feeder (Tray 3)

**NOTE:** Each printer model accepts up to three optional 1 x 550-sheet feeders (Trays 3, 4, and 5).

10 Tray 2

11 Model name

12 Tray 1

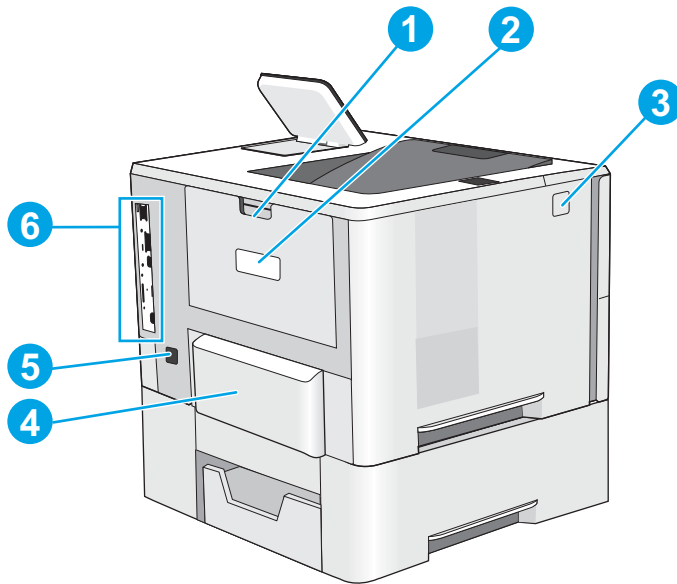
13 Top cover (access to the toner cartridge)

**NOTE:** The release button for the top cover is on the left side of the printer.

14 Standard output bin

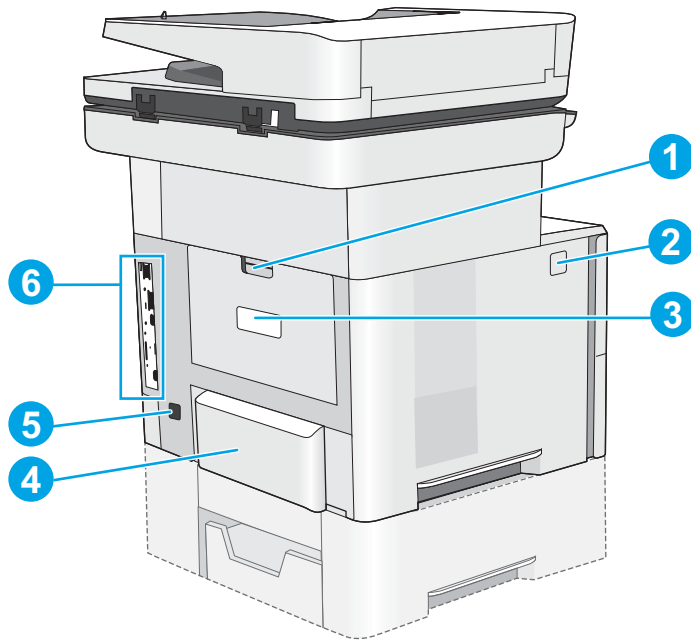
- 
- |    |  |
|----|--|
| 15 | Easy-access USB port (on the left side of the control panel support)<br><br>Insert a USB flash drive for printing or scanning without a computer or to update the printer firmware.<br><br><b>NOTE:</b> An administrator must enable this port before use. |
|----|--|
- 
- |    |  |
|----|--|
| 16 | Hardware integration pocket (for connecting accessory and third-party devices) |
|----|--|
- 

## Product back view (M501/M506)



- 
- |   |  |
|---|--|
| 1 | Rear door (access for clearing jams)                             |
| 2 | Serial number and product number label                           |
| 3 | Top-cover-release button   |
| 4 | Dust cover for Tray 2 (flips up when legal-size paper is loaded) |
| 5 | Power connection   |
| 6 | Formatter (contains the interface ports)                         |
-

## Product back view (M527)



1	Rear door (access for clearing jams)
2	Top-cover-release button
3	Serial number and product number label
4	Dust cover for Tray 2 (flips up when legal-size paper is loaded)
5	Power connection
6	Formatter (contains the interface ports)

# Order parts, accessories, and supplies

## Ordering

Order supplies and paper	<a href="http://www.hp.com/go/suresupply">www.hp.com/go/suresupply</a>
Order genuine HP parts or accessories	<a href="http://www.hp.com/buy/parts">www.hp.com/buy/parts</a>
	or
	<a href="http://partsurfer.hp.com">partsurfer.hp.com</a>
Order through service or support providers	Contact an HP-authorized service or support provider.
Order using the HP Embedded Web Server (EWS)	To access, in a supported Web browser on your computer, enter the printer IP address or host name in the address/URL field. The EWS contains a link to the HP SureSupply Web site, which provides options for purchasing Original HP supplies.

## Orderable parts

Not all of the parts shown in the diagrams in this chapter can be ordered. Refer to the table following the diagram or the parts lists at the end of this chapter to determine if a part is orderable.

## Supplies and accessories

Following are the part numbers for the supplies and accessories available for the printers.

**Table 2-1 Supplies and Accessories (M501)**

Item	Description	Cartridge number	Part number
<b>Supplies</b>			
HP 508A Black Original LaserJet Toner Cartridge	Standard-capacity replacement black toner cartridge	872A	CF287A
HP 508X High Yield Black Original LaserJet Toner Cartridge	High-capacity replacement black toner cartridge	872X	CF287X
<b>Accessories</b>			
1 x 550-sheet paper feeder	Optional 550-sheet paper feeder	Not applicable	F2A72A
	<b>NOTE:</b> The M501 printer supports one 1 x 550-sheet paper feeder.		

**Table 2-2 Supplies and Accessories (M506)**

Item	Description	Cartridge number	Part number
<b>Supplies</b>			
HP 508A Black Original LaserJet Toner Cartridge	Standard-capacity replacement black toner cartridge	87A	CF287A Service: CF287-67901
HP 508X High Yield Black Original LaserJet Toner Cartridge	High-capacity replacement black toner cartridge	87X	CF287X Service: CF287-67902

**Table 2-2 Supplies and Accessories (M506) (continued)**

Item	Description	Cartridge number	Part number
<b>Accessories</b>			
1 x 550-sheet paper feeder	Optional 550-sheet paper feeder  <b>NOTE:</b> The printer supports up to three 1 x 550-sheet paper feeders.	Not applicable	F2A72A
Printer stand and cabinet	Optional stand with storage cabinet to support the printer  Recommended when using multiple optional paper feeders.	Not applicable	F2A73A
500 GB HP Secure High-Performance Hard Disk Drive	Accessory hard drive	Not applicable	B5L29A
1 GB DDR3 Slim Memory DIMM	Optional DIMM for expanding the memory (M527)	Not applicable	G6W84A
HP Internal USB ports	Two optional USB ports for connecting third-party devices	Not applicable	F2A87A
HP Trusted Platform Module	Automatically encrypts all data that passes through the printer	Not applicable	F5S62A
HP Jetdirect 2900nw Print Server	USB wireless print server accessory	Not applicable	J8031A
HP Jetdirect 3000w NFC/Wireless Accessory	Wi-Fi direct accessory for “touch” printing from mobile devices	Not applicable	J8030A

**Table 2-3 Supplies and Accessories (M527)**

Item	Description	Cartridge number	Part number
<b>Supplies</b>			
HP 508A Black Original LaserJet Toner Cartridge	Standard-capacity replacement black toner cartridge	872A	CF287A
HP 508X High Yield Black Original LaserJet Toner Cartridge	High-capacity replacement black toner cartridge	872X	CF287X
HP Staple Cartridge Pack	Replacement staple cartridges for the f and z models. Contains two staple cartridges of 1500 staples each.	Not applicable	Q7432A
HP LaserJet 200 ADF Roller Replacement Kit	Replacement feed rollers for the document feeder	Not applicable	B5L52A
<b>Accessories</b>			
1 x 550-sheet paper feeder	Optional 550-sheet paper feeder  <b>NOTE:</b> Each printer model accepts up to three optional 1 x 550-sheet feeders (Trays 3, 4, and 5).	Not applicable	F2A72A
Printer stand and cabinet	Optional stand with storage cabinet to support the printer  Recommended when using multiple optional paper feeders.	Not applicable	F2A73A



**Table 2-3 Supplies and Accessories (M527) (continued)**

Item	Description	Cartridge number	Part number
HP LaserJet Keyboard Overlay Kit for Simplified Chinese & Traditional Chinese  (z model only)	Language-specific, adhesive overlay for the physical keyboard	Not applicable	A7W12A
HP LaserJet Keyboard Overlay Kit for Swedish  (z model only)	Language-specific, adhesive overlay for the physical keyboard	Not applicable	A7W14A
320 GB HP Secure High-Performance Hard Disk Drive	Standard hard drive	Not applicable	5851-6712
500 GB HP Secure High-Performance Hard Disk Drive	Accessory hard drive	Not applicable	B5L29A
1GB DDR3 x32 144-pin 800MHz Memory SODIMM	Optional DIMM for expanding the memory	Not applicable	E5K49A
HP Internal USB ports	Two optional USB ports for connecting third-party devices	Not applicable	F2A87A
HP Trusted Platform Module	Automatically encrypts all data that passes through the printer	Not applicable	F5S62A
HP Foreign Interface Harness	Optional port for connecting third-party devices	Not applicable	B5L31A
HP LaserJet MFP Analog Fax Accessory 600	Optional fax accessory for the dn model	Not applicable	B5L53A
HP Jetdirect 2900nw Print Server	USB wireless print server accessory	Not applicable	J8031A
HP Jetdirect 3000w NFC/Wireless Accessory	Wi-Fi direct accessory for “touch” printing from mobile devices	Not applicable	J8030A

## Customer self-repair kits

Customer Self-Repair (CSR) parts are available for many HP LaserJet printers to reduce repair time. More information about the CSR program and benefits can be found at [www.hp.com/go/csr-support](http://www.hp.com/go/csr-support) and [www.hp.com/go/csr-faq](http://www.hp.com/go/csr-faq).

Genuine HP replacement parts can be ordered at [www.hp.com/buy/parts](http://www.hp.com/buy/parts) or by contacting an HP-authorized service or support provider. When ordering, one of the following will be needed: part number, serial number (found on back of printer), printer number, or printer name.

- Parts listed as **A**: Easy
- Parts listed as **B**: Difficult and/or requires tools

Kit	Description	CSR level	Part number
Control panel (M527 only)	<ul style="list-style-type: none"> <li>• Control panel</li> <li>• Screwdriver</li> </ul>	A	B5L47-67018

Kit	Description	CSR level	Part number
Control panel kit (M506x only)	<ul style="list-style-type: none"> <li>Control panel</li> <li>Screwdriver</li> </ul>	A	B5L24-67903
Control panel kit (M501)	<ul style="list-style-type: none"> <li>Control panel</li> </ul>	B	J8H60-67904
320 GB encrypted hard disk drive (M527)	<ul style="list-style-type: none"> <li>Hard-disk drive (HDD)</li> </ul>	A	5851-6712
White backing (M527 only)	<ul style="list-style-type: none"> <li>White backing (document feeder)</li> <li>Retention clip kit</li> </ul>	A	5851-6570
embedded MultiMedia Card (eMMC) kit (M527dn)	<ul style="list-style-type: none"> <li>eMMC module 16B</li> </ul>	A	5851-6436 (M525dn)
embedded MultiMedia Card (eMMC) kit (all M506)	<ul style="list-style-type: none"> <li>eMMC module 4GB</li> </ul>	A	5851-6587 (M506)
Transfer roller	<ul style="list-style-type: none"> <li>Transfer roller</li> </ul>	A	F2A68-67910
Retention clip assembly (M527 only)	<ul style="list-style-type: none"> <li>Retention clips for the document feeder white backing</li> </ul>	A	5851-6573
Multipurpose tray (Tray 1) pickup roller and separation pad	<ul style="list-style-type: none"> <li>Roller and separation pad for Tray 1</li> </ul>	B	F2A68-67914
Tray 2-x roller kit (M506/M527)	<ul style="list-style-type: none"> <li>Rollers for Tray 2 and the optional 550-sheet paper feeders</li> </ul> <p><b>NOTE:</b> This kit includes roller assemblies for Tray 2 and up to three optional paper feeders.</p>	B	F2A68-67913
Tray 2-3 roller kit (M501)	<ul style="list-style-type: none"> <li>Rollers for Tray 2 and the optional 550-sheet paper feeder</li> </ul> <p><b>NOTE:</b> This kit includes roller assemblies for Tray 2 and one optional paper feeder.</p>	B	J8H60-67903
Document feeder maintenance kit (M527)	<ul style="list-style-type: none"> <li>Pickup, feed, and separation ADF roller kit</li> </ul>	A	B5L52-67903
Keyboard kit (M527c/z)	<ul style="list-style-type: none"> <li>Physical pull-out keyboard</li> </ul>	B	B5L47-67019 (US English) B5L47-67020 (UK English)

## Related documentation and software

HP service personnel, go to the Service Access Work Bench (SAW) at <http://h41302.www4.hp.com/km/saw/home.do>.


Channel partners, go to HP Channel Services Network (CSN) at <https://h30125.www3.hp.com/hpcsn>.


## How to use the parts lists and diagrams

The figures in this chapter show the major subassemblies in the printer and their component parts. A parts list table follows each exploded view assembly diagram. Each table lists the item number, the associated part

number, and the description of each part. If a part is not listed in the table, then it is not a field replacement unit (FRU) or bench repairable unit (BRU).

---

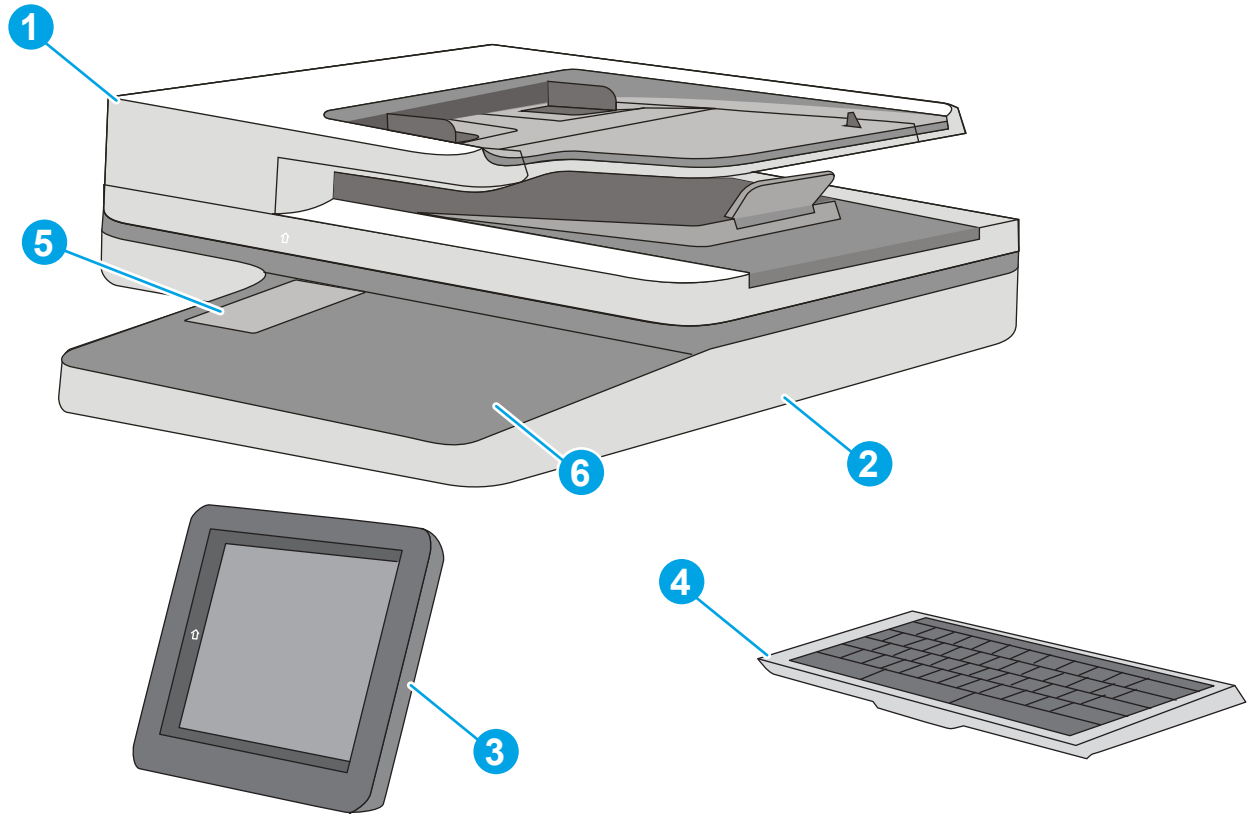
 **CAUTION:** Be sure to order the correct part. When looking for part numbers for electrical components, pay careful attention to the voltage that is listed in the description column. Doing so will ensure that the part number selected is for the correct model.

 **NOTE:** In this manual, the abbreviation “PCA” stands for “printed circuit-board assembly.” Components described as a PCA might consist of a single circuit board or a circuit board plus other parts, such as cables and sensors.

---

# Parts and diagrams: Document feeder and scanner whole units

Figure 2-1 Document feeder and image scanner assembly (M527 only)

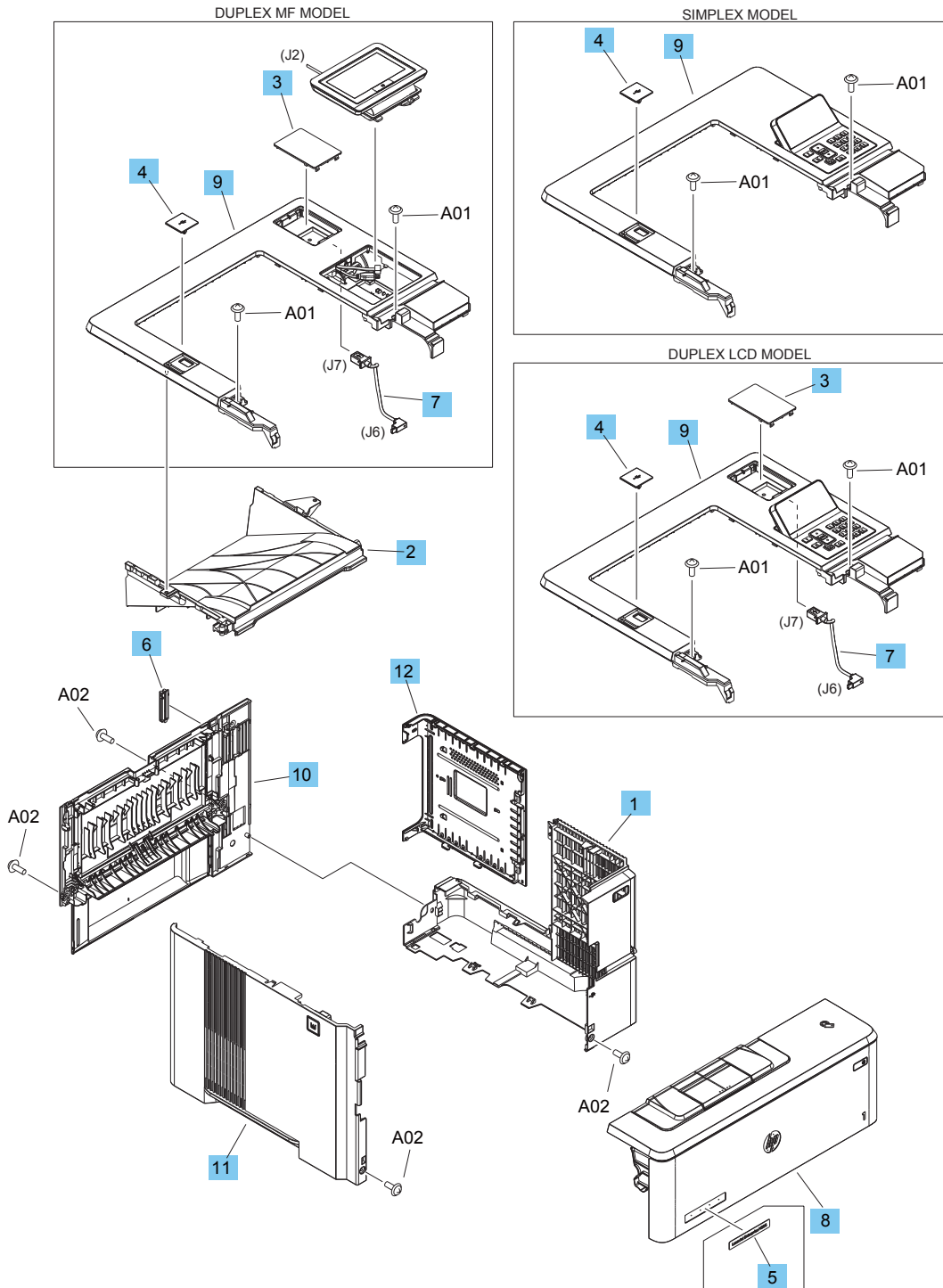


**Table 2-4 Document feeder and scanner whole units (M527 only)**

Ref	Description	Part number	Qty
1	Document feeder (M527 Enterprise) kit; includes white backing and retention clips	B5L47-67901	1
1	Document feeder (M527 Flow) kit; includes white backing and retention clips	B5L47-67902	1
2	Image scanner assembly (M527) kit; includes white backing and retention clips	F2A76-67909	1
3	Control panel (M527) kit	B5L47-67018	1
4	Keyboard US (M527)	B5L47-67019	1
4	Keyboard UK (M527)	B5L47-67020	1
5	Cover, HIP (M527)	B5L46-40021	1
6	Bezel, control panel (M527)	B5L46-60117	1
Not shown	Cover, keyboard (M527)	B5L46-40002	1
Not shown	Cable, WU USB control panel (M527)	5851-5939	1
Not shown	Cable, HIP USB control panel (M527)	5851-5938	1
Not shown	Cable, HDMI control panel (M527)	5851-5936	1
Not shown	Cable, 18-pin control panel (M527)	5851-5935	1
Not shown	Cable, HDMI PAB to SCAM (M527)	B5L46-60114	1
Not shown	Hinge, left document feeder (M527)	COM39-60064	1
Not shown	Hinge, right document feeder (M527)	COM39-60065	1
Not shown	Cover, USB (M527)	B5L46-40028	1
Not shown	Cable, stapler (M527)	B5L46-60116	1
Not shown	Cover, rear image scanner (M527)	B5L46-40011	1
Not shown	Scan-control board (SCB) kit (M527)	B5L47-67903	1
Not shown	Keyboard overlay kit (FR, IT, RU, DE, ES: UK Kybd)	5851-6019	1
Not shown	Keyboard overlay kit (FR-CN, ES-LA, ES: US Kybd)	5851-6020	1
Not shown	Keyboard overlay kit (FR-SW, DE-SW, DA: UK Kybd)	5851-6021	1
Not shown	Keyboard overlay kit (ZHTW, ZHCN)	5851-6022	1
Not shown	Keyboard overlay kit (ES, PT)	5851-6023	1
Not shown	Keyboard overlay kit (JA-KG, JA-KT)	5851-6024	1

# Parts and diagrams Covers

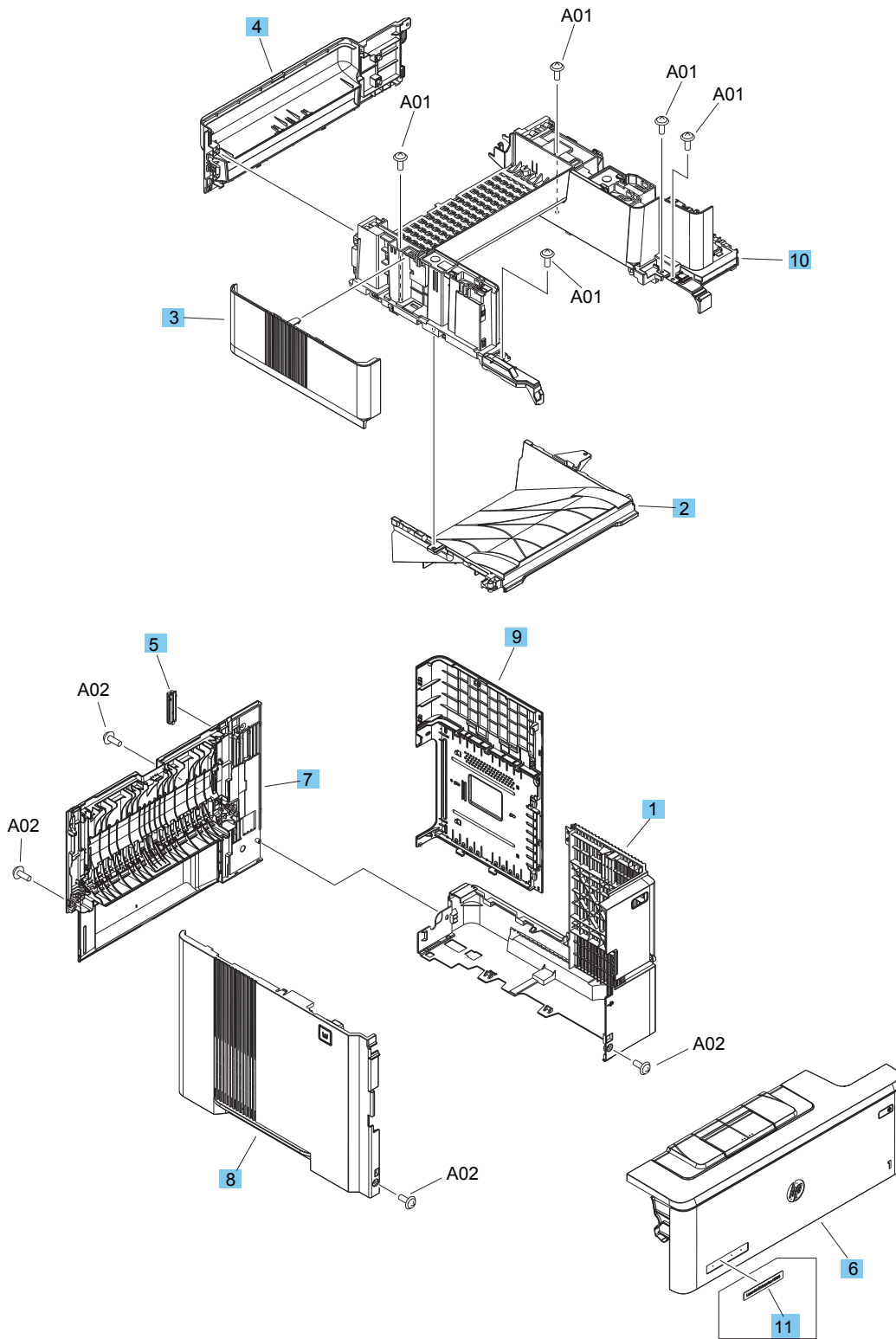
## Covers (M501/M506)



**Table 2-5 Covers (M501/M506)**

<b>Ref</b>	<b>Description</b>	<b>Part number</b>	<b>Qty</b>
1	Cover, right (M501/M506)	RC4-4437-000CN	1
2	Tray, paper delivery output bin (M501/M506)	RC4-4439-000CN	1
3	Cover, HIP (M506 duplex models)	RC4-4142-000CN	1
4	Cover, USB (M506)	RC4-4149-000CN	1
5	Plate, name (M506)	F2A68-40002	1
5	Plate, name (M501)	J8H60-40001	1
6	Cover, I/O (M506)	RC4-4433-000CN	1
7	Cable, HIP (M506 duplex models)	RK2-7104-000CN	1
8	Door, cartridge kit (M506n/dn)	F2A68-67919	1
8	Door, cartridge kit (M506x)	F2A68-67920	1
8	Door, cartridge (M501)	RM2-5677-000CN	1
Not shown	Cover, top (M501)	RM2-5735-000CN	1
9	Cover, top (M506 simplex models)	RM2-5687-000CN	1
9	Cover, top (M506 duplex LCD models)	RM2-5699-000CN	1
9	Cover, top (M506 duplex MF models)	RM2-5686-000CN	1
9	Cover, top (M501 duplex models)	RM2-5726-000CN	1
10	Door, rear (M501/M506 simplex models)	RM2-5712-000CN	1
10	Door, rear (M501/M506 duplex models)	RM2-5711-000CN	1
11	Cover, left (M501/M506)	RM2-5727-000CN	1
11	Cover, formatter (M501)	RC4-4200-000CN	1
11	Cover, formatter (M506)	RM2-5725-000CN	1
Not shown	Hinge, cartridge door left	RC4-3010-000CN	1
Not shown	Link, pressure release (cartridge door)	RC4-4479-000CN	1

## Covers (M527)



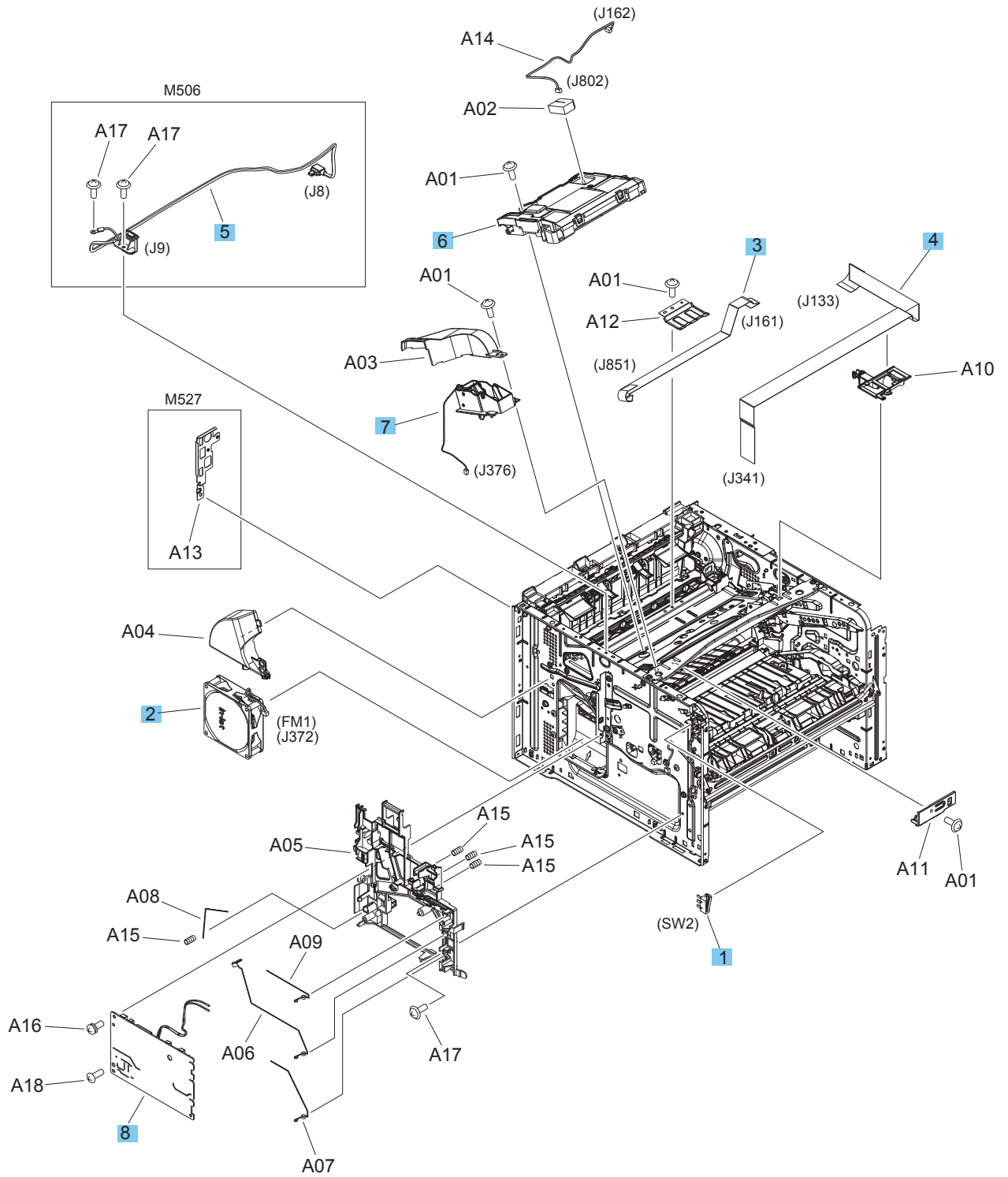


**Table 2-6 Covers (M527)**

<b>Ref</b>	<b>Description</b>	<b>Part number</b>	<b>Qty</b>
1	Cover, right (M527)	RC4-4437-000CN	1
2	Tray, paper delivery output bin (M527)	RC4-4141-000CN	1
3	Cover, top left (M527)	RC4-4147-000CN	1
4	Cover, top rear (M527)	RC4-4150-000CN	1
5	Cover, I/O (M527)	RC4-4433-000CN	1
6	Door, cartridge kit (M527)	F2A76-60112	1
7	Door, rear (M527)	RM2-5711-000CN	1
8	Cover, left (M527)	RM2-5727-000CN	1
9	Cover, formatter (M527)	RM2-5717-000CN	1
10	Cover, top (M527)	RM2-5718-000CN	1
11	Plate, name (M527)	F2A74-40001	1
Not shown	Cover, stationary stapler, inner (M527c/f/z)	F2A76-40003	1
Not shown	Door, stapler flap (M527c/f/z)	F2A76-40004	1
Not shown	Cover, stapler blank (M527dn)	F2A76-40005	1
Not shown	Sticker, stapler cartridge replacement (M527)	B5L24-00035	1
Not shown	Plug/cap, fax port (M527)	5851-1885	1
Not shown	Hinge, cartridge door left	RC4-3010-000CN	1
Not shown	Link, pressure release (cartridge door)	RC4-4479-000CN	1

# Parts and diagrams: Internal assemblies

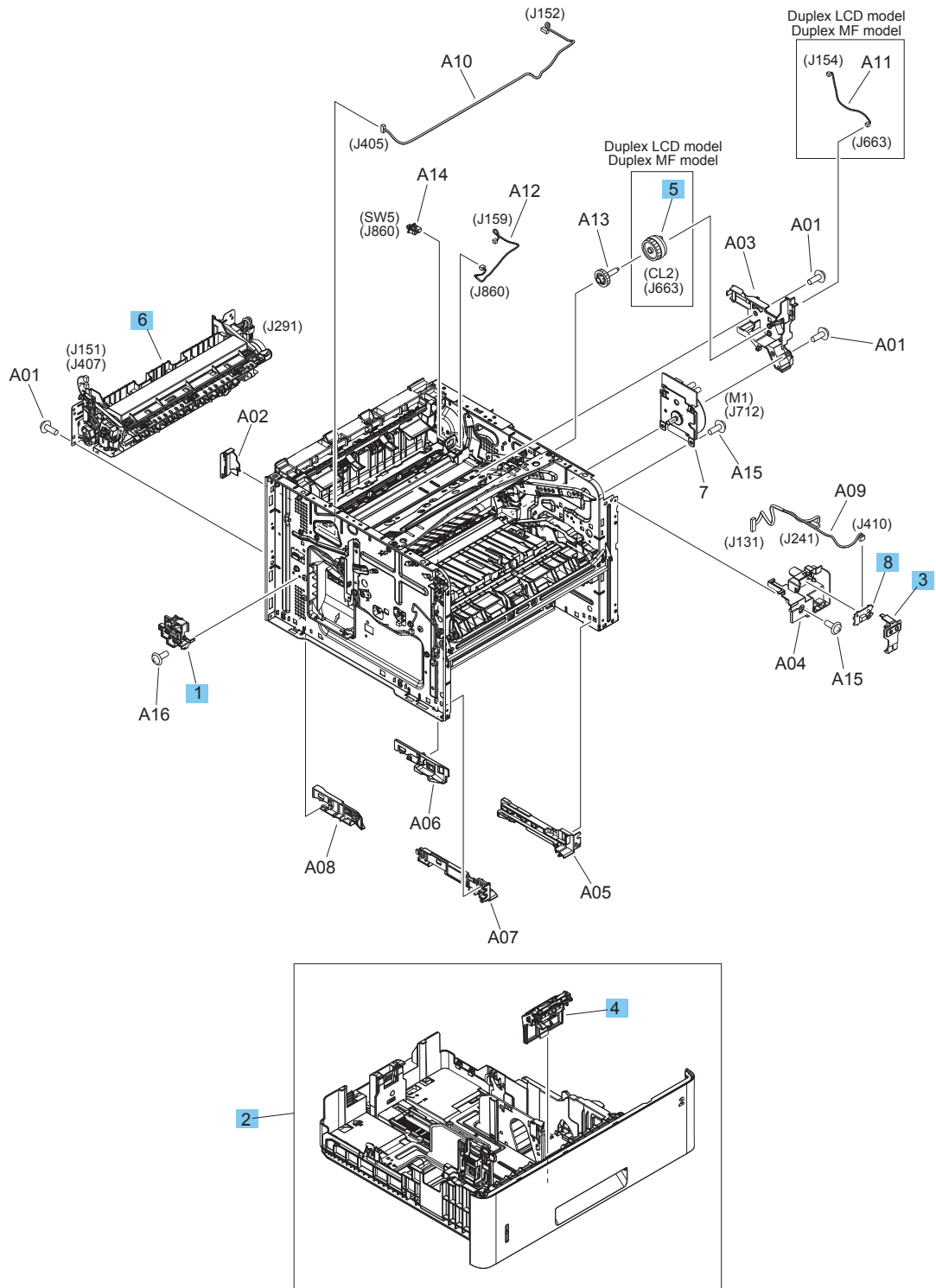
## Internal assemblies (1 of 4)



**Table 2-7 Internal assemblies (1 of 4)**

<b>Ref</b>	<b>Description</b>	<b>Part number</b>	<b>Qty</b>
1	Microswitch	RK2-0535-000CN	1
2	Fan (FM1)	RK2-8068-000CN	1
3	Cable, flat-flexible	RK2-6259-000CN	1
4	Cable, flat-flexible	RK2-6260-000CN	1
5	Cable, USB (M506)	RK2-7067-000CN	1
6	Laser/scanner assembly	RM2-5528-000CN	1
7	Cable, TAG assembly	RM2-5702-000CN	1
8	Power supply, high-voltage (HVPS)	RM2-7945-000CN	1

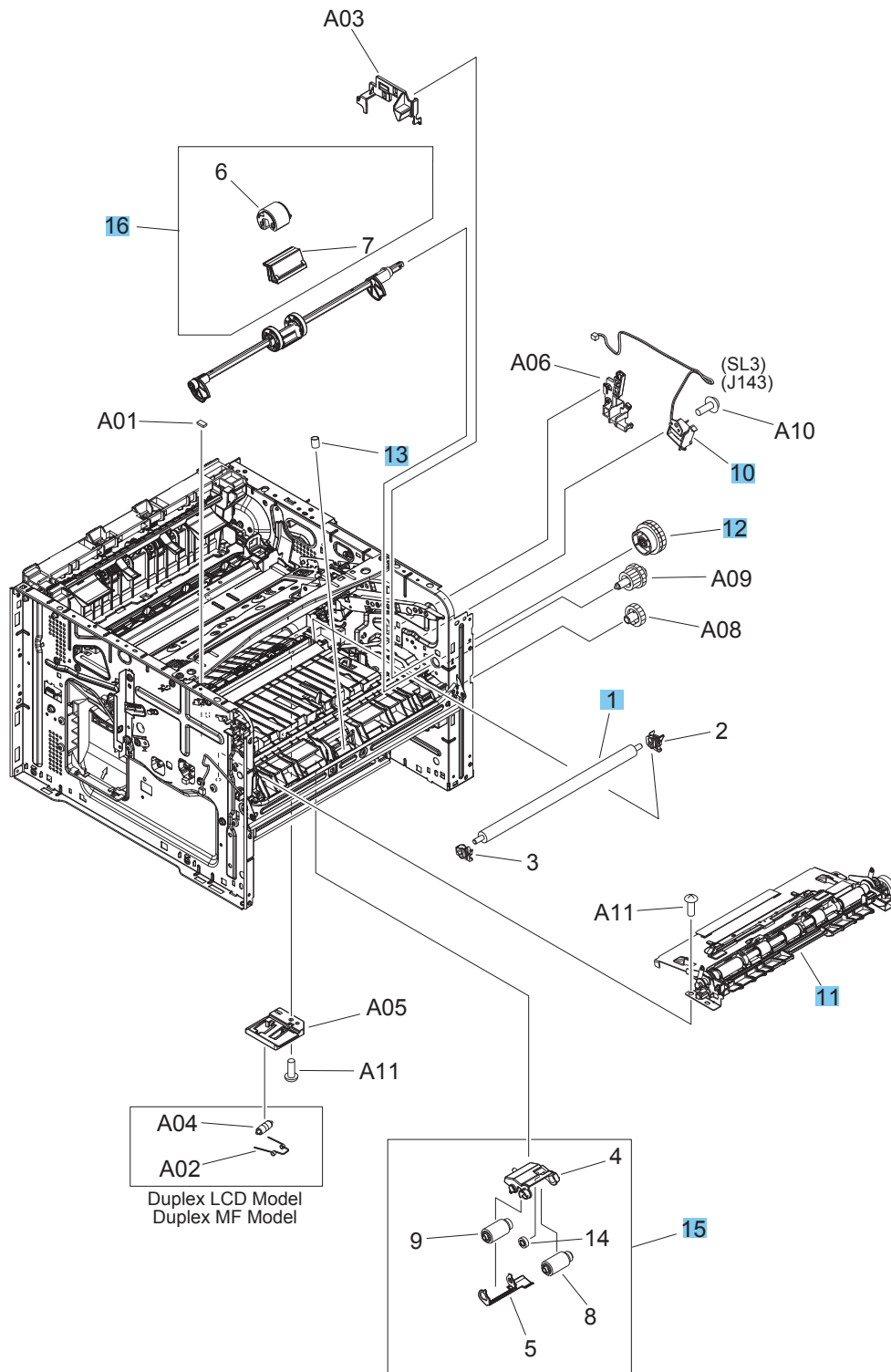
## Internal assemblies (2 of 4)



**Table 2-8 Internal assemblies (2 of 4)**

<b>Ref</b>	<b>Description</b>	<b>Part number</b>	<b>Qty</b>
1	Film bias assembly	RM2-5689-000CN	1
2	Cassette (Tray 2)	RM2-5690-000CN	1
3	Switch, lever assembly	RM2-5701-000CN	1
4	Roller, separation (Tray 2/3)	RM2-5745-000CN	1
5	Clutch, paper re-pickup assembly (M501/M506 duplex LCD and MF models)	RM2-8514-000CN	1
6	Fixing (fuser) assembly 110V-127V	RM2-5679-000CN	1
6	Fixing (fuser) assembly 220V-240V	RM2-5692-000CN	1
8	Switch, power PCA assembly	RM2-8597-000CN	1

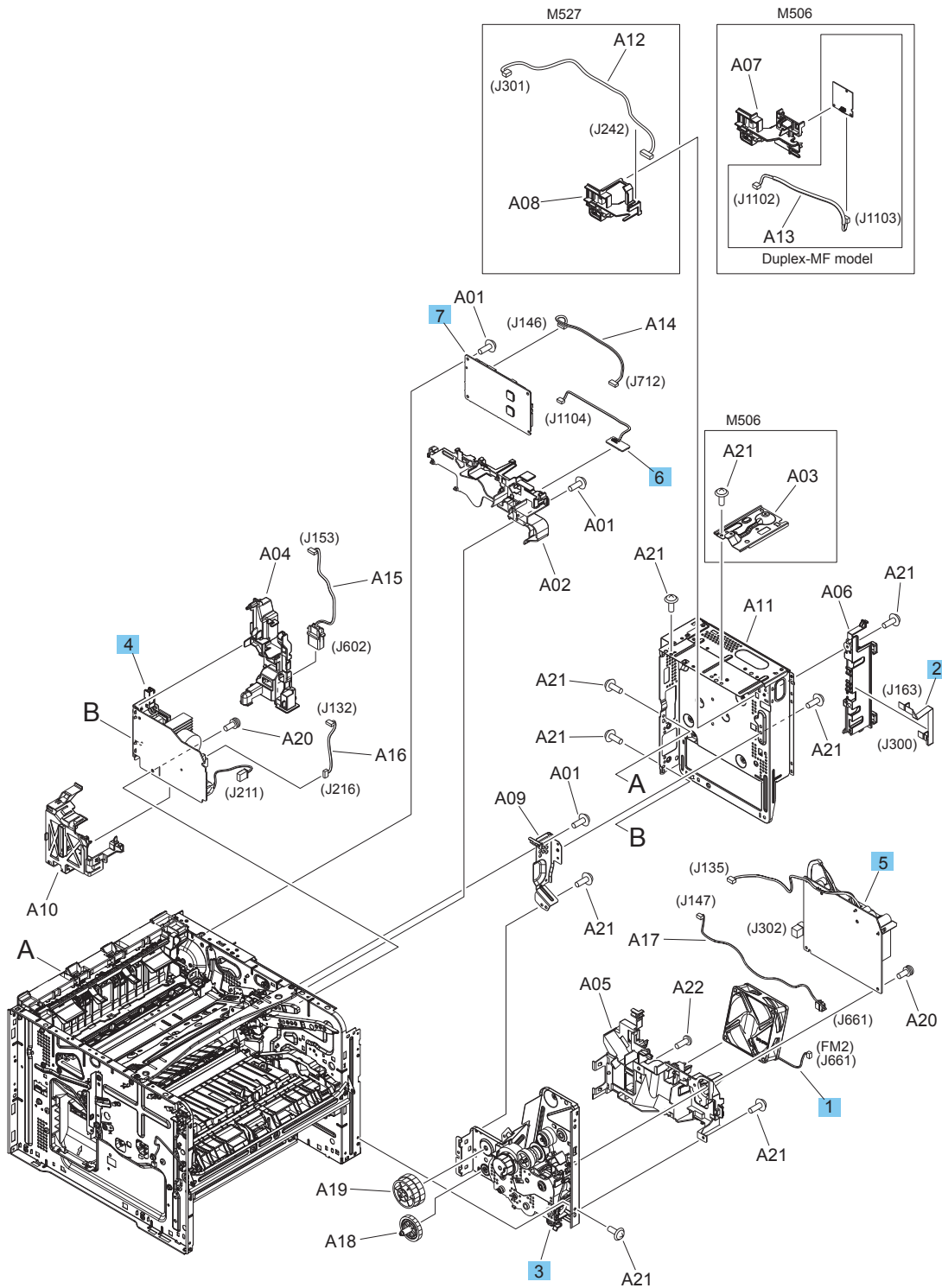
## Internal assemblies (3 of 4)



**Table 2-9 Internal assemblies (3 of 4)**

<b>Ref</b>	<b>Description</b>	<b>Part number</b>	<b>Qty</b>
1	Roller, transfer kit	F2A68-67910	1
10	Solenoid assembly (M501/M506)	RM1-5421-000CN	1
11	Registration assembly	RM2-5671-000CN	1
12	Gear, multi-purpose	RM2-5700-000CN	1
13	Spring, compression (included in the multipurpose tray roller and separation pad kit)	RU8-2935-000CN	1
15	Roller, Tray 2-3 kit (M501)	J8H60-67903	1
15	Roller, Tray 2-x kit (M506/M527)	F2A68-67913	1
16	Roller and pad, Tray 1 pickup and separation pad kit	F2A68-67914	1
Not shown	Stapler unit (M527)	B5L46-60102	1
Not shown	Cable, stapler 6-pin (M527)	F2A76-60113	1
Not shown	Near-field communications (NFC) PCA (M527)	B5L24-60001	1
Not shown	Bracket, WiFi PCA (M506z/M527)	F2A76-40007	1
Not shown	Cable, WiFi PCA (M506z/M527)	F2A76-60112	1
Not shown	Wireless embedded PCA (M506z/M527)	1150-7968	1

## Internal assemblies (4 of 4)





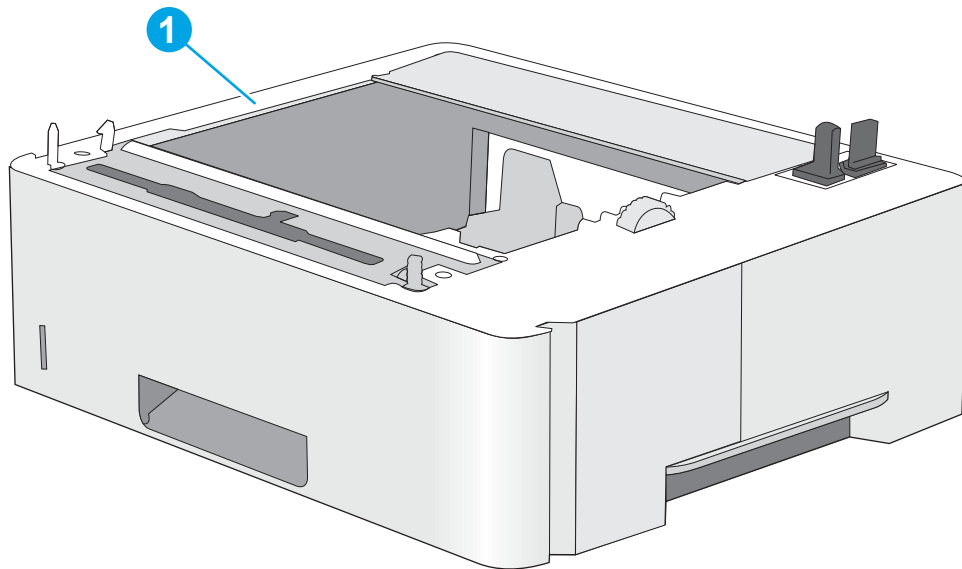
**Table 2-10 Internal assemblies (4 of 4)**

Ref	Description	Part number	Qty
1	Fan (FM2)	RK2-8068-000CN	1
2	Cable, flat flexible (M506/M527)	RK2-6261-000CN	1
2	Cable, flat flexible (M501)	RK2-6526-000CN	1
3	Paper feed drive assembly	RM2-5715-000CN	1
4	Fixing (fuser) power supply <sup>1</sup> (FPS) 110V-127V	RM2-7948-000CN	1
4	Fixing (fuser) power supply <sup>1</sup> (FPS) 220V-240V	RM2-7949-000CN	1
5	Low-voltage power supply (LVPS) 110V-127V (M527)	RM2-7951-000CN	1
5	Low-voltage power supply (LVPS) 220V-240V (M527)	RM2-7952-000CN	1
5	Low-voltage power supply (LVPS) 110V-127V (M501/M506)	RM2-7941-000CN	1
5	Low-voltage power supply (LVPS) 220V-240V (M501/M506)	RM2-7942-000CN	1
6	Memory PCA (M506/M527)	RM2-7955-000CN	1
7	DC controller PCA (M527)	RM2-8610-000CN	1
7	DC controller PCA, simplex (M506)	RM2-8600-000CN	1
7	DC controller PCA, duplex (M506)	RM2-7940-000CN	1
7	DC controller PCA, simplex (M501)	RM2-8710-000CN	1
7	DC controller PCA, duplex (M501)	RM2-7950-000CN	1
Not shown	Formatter PCA kit (M527)	F2A76-67910	1
Not shown	Case, formatter PCA (M527)	RL2-0895-000CN	1
Not shown	Formatter PCA kit (M506n/dn)	F2A68-67915	1
Not shown	Formatter PCA kit (M506x)	F2A68-67916	1
Not shown	Formatter PCA (M501n)	J8H60-67901	1
Not shown	Formatter PCA (M501n; China)	J8H60-67902	1
Not shown	Formatter PCA (M501 dn)	J8H61-67901	1
Not shown	Formatter PCA (M501 dn; China)	J8H61-67902	1
Not shown	Case, formatter (M501)	RL2-0888-000CN	1
Not shown	Case, formatter PCA (M506)	RL2-0885-000CN	1
Not shown	Case, formatter (M527)	RL2-0895-000CN	1
Not shown	Fax PCA (M527)	CC456-60002	1
Not shown	Cradle, fax PCA (M527)	5851-5605	1
Not shown	Cable, fax PCA (M527)	5851-5997	1

<sup>1</sup> The FPS includes the optional paper feeder connector.

## Parts and diagrams: Accessories

### 1x550-sheet paper feeder



**Table 2-11 1x550-sheet paper feeder**

<b>Ref</b>	<b>Description</b>	<b>Part number</b>	<b>Qty</b>
1	1x550-sheet paper feeder (whole unit)	F2A72-67901	1

# Alphabetical parts list

**Table 2-12 Alphabetical parts list**

<b>Description</b>	<b>Part number</b>	<b>Table and page</b>
1x550-sheet paper feeder (whole unit)	F2A72-67901	<a href="#">1x550-sheet paper feeder on page 1219</a>
Bezel, control panel (M527)	B5L46-60117	<a href="#">Document feeder and scanner whole units (M527 only) on page 1205</a>
Bracket, WiFi PCA (M506z/M527)	F2A76-40007	<a href="#">Internal assemblies (3 of 4) on page 1215</a>
Cable, 18-pin control panel (M527)	5851-5935	<a href="#">Document feeder and scanner whole units (M527 only) on page 1205</a>
Cable, fax PCA (M527)	5851-5997	<a href="#">Internal assemblies (4 of 4) on page 1217</a>
Cable, flat flexible (M501)	RK2-6526-000CN	<a href="#">Internal assemblies (4 of 4) on page 1217</a>
Cable, flat flexible (M506/M527)	RK2-6261-000CN	<a href="#">Internal assemblies (4 of 4) on page 1217</a>
Cable, flat-flexible	RK2-6259-000CN	<a href="#">Internal assemblies (1 of 4) on page 1211</a>
Cable, flat-flexible	RK2-6260-000CN	<a href="#">Internal assemblies (1 of 4) on page 1211</a>
Cable, HDMI control panel (M527)	5851-5936	<a href="#">Document feeder and scanner whole units (M527 only) on page 1205</a>
Cable, HDMI PAB to SCAM (M527)	B5L46-60114	<a href="#">Document feeder and scanner whole units (M527 only) on page 1205</a>
Cable, HIP (M506 duplex models)	RK2-7104-000CN	<a href="#">Covers (M501/M506) on page 1207</a>
Cable, HIP USB control panel (M527)	5851-5938	<a href="#">Document feeder and scanner whole units (M527 only) on page 1205</a>
Cable, stapler (M527)	B5L46-60116	<a href="#">Document feeder and scanner whole units (M527 only) on page 1205</a>
Cable, stapler 6-pin (M527)	F2A76-60113	<a href="#">Internal assemblies (3 of 4) on page 1215</a>
Cable, TAG assembly	RM2-5702-000CN	<a href="#">Internal assemblies (1 of 4) on page 1211</a>
Cable, USB (M506)	RK2-7067-000CN	<a href="#">Internal assemblies (1 of 4) on page 1211</a>
Cable, WiFi PCA (M506z/M527)	F2A76-60112	<a href="#">Internal assemblies (3 of 4) on page 1215</a>

**Table 2-12 Alphabetical parts list (continued)**

<b>Description</b>	<b>Part number</b>	<b>Table and page</b>
Cable, WU USB control panel (M527)	5851-5939	<a href="#">Document feeder and scanner whole units (M527 only) on page 1205</a>
Case, formatter (M501)	RL2-0888-000CN	<a href="#">Internal assemblies (4 of 4) on page 1217</a>
Case, formatter (M527)	RL2-0895-000CN	<a href="#">Internal assemblies (4 of 4) on page 1217</a>
Case, formatter PCA (M506)	RL2-0885-000CN	<a href="#">Internal assemblies (4 of 4) on page 1217</a>
Case, formatter PCA (M527)	RL2-0895-000CN	<a href="#">Internal assemblies (4 of 4) on page 1217</a>
Cassette (Tray 2)	RM2-5690-000CN	<a href="#">Internal assemblies (2 of 4) on page 1213</a>
Clutch, paper re-pickup assembly (M501/M506 duplex LCD and MF models)	RM2-8514-000CN	<a href="#">Internal assemblies (2 of 4) on page 1213</a>
Control panel (M527) kit	B5L47-67018	<a href="#">Document feeder and scanner whole units (M527 only) on page 1205</a>
Cover, formatter (M501)	RC4-4200-000CN	<a href="#">Covers (M501/M506) on page 1207</a>
Cover, formatter (M506)	RM2-5725-000CN	<a href="#">Covers (M501/M506) on page 1207</a>
Cover, formatter (M527)	RM2-5717-000CN	<a href="#">Covers (M527) on page 1209</a>
Cover, HIP (M506 duplex models)	RC4-4142-000CN	<a href="#">Covers (M501/M506) on page 1207</a>
Cover, HIP (M527)	B5L46-40021	<a href="#">Document feeder and scanner whole units (M527 only) on page 1205</a>
Cover, I/O (M506)	RC4-4433-000CN	<a href="#">Covers (M501/M506) on page 1207</a>
Cover, I/O (M527)	RC4-4433-000CN	<a href="#">Covers (M527) on page 1209</a>
Cover, keyboard (M527)	B5L46-40002	<a href="#">Document feeder and scanner whole units (M527 only) on page 1205</a>
Cover, left (M501/M506)	RM2-5727-000CN	<a href="#">Covers (M501/M506) on page 1207</a>
Cover, left (M527)	RM2-5727-000CN	<a href="#">Covers (M527) on page 1209</a>
Cover, rear image scanner (M527)	B5L46-40011	<a href="#">Document feeder and scanner whole units (M527 only) on page 1205</a>
Cover, right (M501/M506)	RC4-4437-000CN	<a href="#">Covers (M501/M506) on page 1207</a>
Cover, right (M527)	RC4-4437-000CN	<a href="#">Covers (M527) on page 1209</a>

**Table 2-12 Alphabetical parts list (continued)**

<b>Description</b>	<b>Part number</b>	<b>Table and page</b>
Cover, stapler blank (M527dn)	F2A76-40005	<a href="#">Covers (M527) on page 1209</a>
Cover, stationary stapler, inner (M527c/f/z)	F2A76-40003	<a href="#">Covers (M527) on page 1209</a>
Cover, top (M501 duplex models)	RM2-5726-000CN	<a href="#">Covers (M501/M506) on page 1207</a>
Cover, top (M501)	RM2-5735-000CN	<a href="#">Covers (M501/M506) on page 1207</a>
Cover, top (M506 duplex LCD models)	RM2-5699-000CN	<a href="#">Covers (M501/M506) on page 1207</a>
Cover, top (M506 duplex MF models)	RM2-5686-000CN	<a href="#">Covers (M501/M506) on page 1207</a>
Cover, top (M506 simplex models)	RM2-5687-000CN	<a href="#">Covers (M501/M506) on page 1207</a>
Cover, top (M527)	RM2-5718-000CN	<a href="#">Covers (M527) on page 1209</a>
Cover, top left (M527)	RC4-4147-000CN	<a href="#">Covers (M527) on page 1209</a>
Cover, top rear (M527)	RC4-4150-000CN	<a href="#">Covers (M527) on page 1209</a>
Cover, USB (M506)	RC4-4149-000CN	<a href="#">Covers (M501/M506) on page 1207</a>
Cover, USB (M527)	B5L46-40028	<a href="#">Document feeder and scanner whole units (M527 only) on page 1205</a>
Cradle, fax PCA (M527)	5851-5605	<a href="#">Internal assemblies (4 of 4) on page 1217</a>
DC controller PCA (M527)	RM2-8610-000CN	<a href="#">Internal assemblies (4 of 4) on page 1217</a>
DC controller PCA, duplex (M501)	RM2-7950-000CN	<a href="#">Internal assemblies (4 of 4) on page 1217</a>
DC controller PCA, duplex (M506)	RM2-7940-000CN	<a href="#">Internal assemblies (4 of 4) on page 1217</a>
DC controller PCA, simplex (M501)	RM2-8710-000CN	<a href="#">Internal assemblies (4 of 4) on page 1217</a>
DC controller PCA, simplex (M506)	RM2-8600-000CN	<a href="#">Internal assemblies (4 of 4) on page 1217</a>
Document feeder (M527 Enterprise) kit; includes white backing and retention clips	B5L47-67901	<a href="#">Document feeder and scanner whole units (M527 only) on page 1205</a>
Document feeder (M527 Flow) kit; includes white backing and retention clips	B5L47-67902	<a href="#">Document feeder and scanner whole units (M527 only) on page 1205</a>
Door, cartridge (M501)	RM2-5677-000CN	<a href="#">Covers (M501/M506) on page 1207</a>
Door, cartridge kit (M506n/dn)	F2A68-67919	<a href="#">Covers (M501/M506) on page 1207</a>

**Table 2-12 Alphabetical parts list (continued)**

<b>Description</b>	<b>Part number</b>	<b>Table and page</b>
Door, cartridge kit (M506x)	F2A68-67920	<a href="#">Covers (M501/M506) on page 1207</a>
Door, cartridge kit (M527)	F2A76-60112	<a href="#">Covers (M527) on page 1209</a>
Door, rear (M501/M506 duplex models)	RM2-5711-000CN	<a href="#">Covers (M501/M506) on page 1207</a>
Door, rear (M501/M506 simplex models)	RM2-5712-000CN	<a href="#">Covers (M501/M506) on page 1207</a>
Door, rear (M527)	RM2-5711-000CN	<a href="#">Covers (M527) on page 1209</a>
Door, stapler flap (M527c/f/z)	F2A76-40004	<a href="#">Covers (M527) on page 1209</a>
Fan (FM1)	RK2-8068-000CN	<a href="#">Internal assemblies (1 of 4) on page 1211</a>
Fan (FM2)	RK2-8068-000CN	<a href="#">Internal assemblies (4 of 4) on page 1217</a>
Fax PCA (M527)	CC456-60002	<a href="#">Internal assemblies (4 of 4) on page 1217</a>
Film bias assembly	RM2-5689-000CN	<a href="#">Internal assemblies (2 of 4) on page 1213</a>
Fixing (fuser) assembly 110V-127V	RM2-5679-000CN	<a href="#">Internal assemblies (2 of 4) on page 1213</a>
Fixing (fuser) assembly 220V-240V	RM2-5692-000CN	<a href="#">Internal assemblies (2 of 4) on page 1213</a>
Fixing (fuser) power supply <sup>1</sup> (FPS) 110V-127V	RM2-7948-000CN	<a href="#">Internal assemblies (4 of 4) on page 1217</a>
Fixing (fuser) power supply <sup>1</sup> (FPS) 220V-240V	RM2-7949-000CN	<a href="#">Internal assemblies (4 of 4) on page 1217</a>
Formatter PCA (M501dn)	J8H61-67901	<a href="#">Internal assemblies (4 of 4) on page 1217</a>
Formatter PCA (M501dn; China)	J8H61-67902	<a href="#">Internal assemblies (4 of 4) on page 1217</a>
Formatter PCA (M501n)	J8H60-67901	<a href="#">Internal assemblies (4 of 4) on page 1217</a>
Formatter PCA (M501n; China)	J8H60-67902	<a href="#">Internal assemblies (4 of 4) on page 1217</a>
Formatter PCA kit (M506n/dn)	F2A68-67915	<a href="#">Internal assemblies (4 of 4) on page 1217</a>
Formatter PCA kit (M506x)	F2A68-67916	<a href="#">Internal assemblies (4 of 4) on page 1217</a>
Formatter PCA kit (M527)	F2A76-67910	<a href="#">Internal assemblies (4 of 4) on page 1217</a>
Gear, multi-purpose	RM2-5700-000CN	<a href="#">Internal assemblies (3 of 4) on page 1215</a>
Hinge, cartridge door left	RC4-3010-000CN	<a href="#">Covers (M501/M506) on page 1207</a>

**Table 2-12 Alphabetical parts list (continued)**

<b>Description</b>	<b>Part number</b>	<b>Table and page</b>
Hinge, cartridge door left	RC4-3010-000CN	<a href="#">Covers (M527) on page 1209</a>
Hinge, left document feeder (M527)	COM39-60064	<a href="#">Document feeder and scanner whole units (M527 only) on page 1205</a>
Hinge, right document feeder (M527)	COM39-60065	<a href="#">Document feeder and scanner whole units (M527 only) on page 1205</a>
Image scanner assembly (M527) kit; includes white backing and retention clips	F2A76-67909	<a href="#">Document feeder and scanner whole units (M527 only) on page 1205</a>
Keyboard overlay kit (ES, PT)	5851-6023	<a href="#">Document feeder and scanner whole units (M527 only) on page 1205</a>
Keyboard overlay kit (FR, IT, RU, DE, ES: UK Kybd)	5851-6019	<a href="#">Document feeder and scanner whole units (M527 only) on page 1205</a>
Keyboard overlay kit (FR-CN, ES-LA, ES: US Kybd)	5851-6020	<a href="#">Document feeder and scanner whole units (M527 only) on page 1205</a>
Keyboard overlay kit (FR-SW, DE-SW, DA: UK Kybd)	5851-6021	<a href="#">Document feeder and scanner whole units (M527 only) on page 1205</a>
Keyboard overlay kit (JA-KG, JA-KT)	5851-6024	<a href="#">Document feeder and scanner whole units (M527 only) on page 1205</a>
Keyboard overlay kit (ZHTW, ZHCN)	5851-6022	<a href="#">Document feeder and scanner whole units (M527 only) on page 1205</a>
Keyboard UK (M527)	B5L47-67020	<a href="#">Document feeder and scanner whole units (M527 only) on page 1205</a>
Keyboard US (M527)	B5L47-67019	<a href="#">Document feeder and scanner whole units (M527 only) on page 1205</a>
Laser/scanner assembly	RM2-5528-000CN	<a href="#">Internal assemblies (1 of 4) on page 1211</a>
Link, pressure release (cartridge door)	RC4-4479-000CN	<a href="#">Covers (M501/M506) on page 1207</a>
Link, pressure release (cartridge door)	RC4-4479-000CN	<a href="#">Covers (M527) on page 1209</a>
Low-voltage power supply (LVPS) 110V-127V (M501/M506)	RM2-7941-000CN	<a href="#">Internal assemblies (4 of 4) on page 1217</a>
Low-voltage power supply (LVPS) 110V-127V (M527)	RM2-7951-000CN	<a href="#">Internal assemblies (4 of 4) on page 1217</a>
Low-voltage power supply (LVPS) 220V-240V (M501/M506)	RM2-7942-000CN	<a href="#">Internal assemblies (4 of 4) on page 1217</a>



**Table 2-12 Alphabetical parts list (continued)**

<b>Description</b>	<b>Part number</b>	<b>Table and page</b>
Low-voltage power supply (LVPS) 220V-240V (M527)	RM2-7952-000CN	<a href="#">Internal assemblies (4 of 4) on page 1217</a>
Memory PCA (M506/M527)	RM2-7955-000CN	<a href="#">Internal assemblies (4 of 4) on page 1217</a>
Microswitch	RK2-0535-000CN	<a href="#">Internal assemblies (1 of 4) on page 1211</a>
Near-field communications (NFC) PCA (M527)	B5L24-60001	<a href="#">Internal assemblies (3 of 4) on page 1215</a>
Paper feed drive assembly	RM2-5715-000CN	<a href="#">Internal assemblies (4 of 4) on page 1217</a>
Plate, name (M501)	J8H60-40001	<a href="#">Covers (M501/M506) on page 1207</a>
Plate, name (M506)	F2A68-40002	<a href="#">Covers (M501/M506) on page 1207</a>
Plate, name (M527)	F2A74-40001	<a href="#">Covers (M527) on page 1209</a>
Plug/cap, fax port (M527)	5851-1885	<a href="#">Covers (M527) on page 1209</a>
Power supply, high-voltage (HVPS)	RM2-7945-000CN	<a href="#">Internal assemblies (1 of 4) on page 1211</a>
Registration assembly	RM2-5671-000CN	<a href="#">Internal assemblies (3 of 4) on page 1215</a>
Roller and pad, Tray 1 pickup and separation pad kit	F2A68-67914	<a href="#">Internal assemblies (3 of 4) on page 1215</a>
Roller, separation (Tray 2/3)	RM2-5745-000CN	<a href="#">Internal assemblies (2 of 4) on page 1213</a>
Roller, transfer kit	F2A68-67910	<a href="#">Internal assemblies (3 of 4) on page 1215</a>
Roller, Tray 2-3 kit (M501)	J8H60-67903	<a href="#">Internal assemblies (3 of 4) on page 1215</a>
Roller, Tray 2-x kit (M506/M527)	F2A68-67913	<a href="#">Internal assemblies (3 of 4) on page 1215</a>
Scan-control board (SCB) kit (M527)	5851-6571	<a href="#">Document feeder and scanner whole units (M527 only) on page 1205</a>
Solenoid assembly (M501/M506)	RM1-5421-000CN	<a href="#">Internal assemblies (3 of 4) on page 1215</a>
Spring, compression (included in the multipurpose tray roller and separation pad kit)	RU8-2935-000CN	<a href="#">Internal assemblies (3 of 4) on page 1215</a>
Stapler unit (M527)	B5L46-60102	<a href="#">Internal assemblies (3 of 4) on page 1215</a>
Sticker, stapler cartridge replacement (M527)	B5L24-00035	<a href="#">Covers (M527) on page 1209</a>
Switch, lever assembly	RM2-5701-000CN	<a href="#">Internal assemblies (2 of 4) on page 1213</a>

**Table 2-12 Alphabetical parts list (continued)**

<b>Description</b>	<b>Part number</b>	<b>Table and page</b>
Switch, power PCA assembly	RM2-8597-000CN	<a href="#">Internal assemblies (2 of 4) on page 1213</a>
Tray, paper delivery output bin (M501/M506)	RC4-4439-000CN	<a href="#">Covers (M501/M506) on page 1207</a>
Tray, paper delivery output bin (M527)	RC4-4141-000CN	<a href="#">Covers (M527) on page 1209</a>
Wireless embedded PCA (M506z/M527)	1150-7968	<a href="#">Internal assemblies (3 of 4) on page 1215</a>

# Numerical parts list

**Table 2-13 Numerical parts list**

Part number	Description	Table and page
1150-7968	Wireless embedded PCA (M506z/M527)	<a href="#">Internal assemblies (3 of 4) on page 1215</a>
5851-1885	Plug/cap, fax port (M527)	<a href="#">Covers (M527) on page 1209</a>
5851-5605	Cradle, fax PCA (M527)	<a href="#">Internal assemblies (4 of 4) on page 1217</a>
5851-5935	Cable, 18-pin control panel (M527)	<a href="#">Document feeder and scanner whole units (M527 only) on page 1205</a>
5851-5936	Cable, HDMI control panel (M527)	<a href="#">Document feeder and scanner whole units (M527 only) on page 1205</a>
5851-5938	Cable, HIP USB control panel (M527)	<a href="#">Document feeder and scanner whole units (M527 only) on page 1205</a>
5851-5939	Cable, WU USB control panel (M527)	<a href="#">Document feeder and scanner whole units (M527 only) on page 1205</a>
5851-5997	Cable, fax PCA (M527)	<a href="#">Internal assemblies (4 of 4) on page 1217</a>
5851-6019	Keyboard overlay kit (FR, IT, RU, DE, ES: UK Kybd)	<a href="#">Document feeder and scanner whole units (M527 only) on page 1205</a>
5851-6020	Keyboard overlay kit (FR-CN, ES-LA, ES: US Kybd)	<a href="#">Document feeder and scanner whole units (M527 only) on page 1205</a>
5851-6021	Keyboard overlay kit (FR-SW, DE-SW, DA: UK Kybd)	<a href="#">Document feeder and scanner whole units (M527 only) on page 1205</a>
5851-6022	Keyboard overlay kit (ZHTW, ZHCN)	<a href="#">Document feeder and scanner whole units (M527 only) on page 1205</a>
5851-6023	Keyboard overlay kit (ES, PT)	<a href="#">Document feeder and scanner whole units (M527 only) on page 1205</a>
5851-6024	Keyboard overlay kit (JA-KG, JA-KT)	<a href="#">Document feeder and scanner whole units (M527 only) on page 1205</a>
B5L47-67901	Document feeder (M527 Enterprise) kit; includes white backing and retention clips	<a href="#">Document feeder and scanner whole units (M527 only) on page 1205</a>
B5L47-67902	Document feeder (M527 Flow) kit; includes white backing and retention clips	<a href="#">Document feeder and scanner whole units (M527 only) on page 1205</a>

**Table 2-13 Numerical parts list (continued)**

<b>Part number</b>	<b>Description</b>	<b>Table and page</b>
B5L47-67903	Scan-control board (SCB) kit (M527)	<a href="#">Document feeder and scanner whole units (M527 only) on page 1205</a>
B5L24-00035	Sticker, stapler cartridge replacement (M527)	<a href="#">Covers (M527) on page 1209</a>
B5L24-60001	Near-field communications (NFC) PCA (M527)	<a href="#">Internal assemblies (3 of 4) on page 1215</a>
B5L46-40002	Cover, keyboard (M527)	<a href="#">Document feeder and scanner whole units (M527 only) on page 1205</a>
B5L46-40011	Cover, rear image scanner (M527)	<a href="#">Document feeder and scanner whole units (M527 only) on page 1205</a>
B5L46-40021	Cover, HIP (M527)	<a href="#">Document feeder and scanner whole units (M527 only) on page 1205</a>
B5L46-40028	Cover, USB (M527)	<a href="#">Document feeder and scanner whole units (M527 only) on page 1205</a>
B5L46-60102	Stapler unit (M527)	<a href="#">Internal assemblies (3 of 4) on page 1215</a>
B5L46-60114	Cable, HDMI PAB to SCAM (M527)	<a href="#">Document feeder and scanner whole units (M527 only) on page 1205</a>
B5L46-60116	Cable, stapler (M527)	<a href="#">Document feeder and scanner whole units (M527 only) on page 1205</a>
B5L46-60117	Bezel, control panel (M527)	<a href="#">Document feeder and scanner whole units (M527 only) on page 1205</a>
B5L47-67018	Control panel (M527) kit	<a href="#">Document feeder and scanner whole units (M527 only) on page 1205</a>
B5L47-67019	Keyboard US (M527)	<a href="#">Document feeder and scanner whole units (M527 only) on page 1205</a>
B5L47-67020	Keyboard UK (M527)	<a href="#">Document feeder and scanner whole units (M527 only) on page 1205</a>
CC456-60002	Fax PCA (M527)	<a href="#">Internal assemblies (4 of 4) on page 1217</a>
COM39-60064	Hinge, left document feeder (M527)	<a href="#">Document feeder and scanner whole units (M527 only) on page 1205</a>
COM39-60065	Hinge, right document feeder (M527)	<a href="#">Document feeder and scanner whole units (M527 only) on page 1205</a>

**Table 2-13 Numerical parts list (continued)**

<b>Part number</b>	<b>Description</b>	<b>Table and page</b>
F2A68-40002	Plate, name (M506)	<a href="#">Covers (M501/M506) on page 1207</a>
F2A68-67910	Roller, transfer kit	<a href="#">Internal assemblies (3 of 4) on page 1215</a>
F2A68-67913	Roller, Tray 2-x kit (M506/M527)	<a href="#">Internal assemblies (3 of 4) on page 1215</a>
F2A68-67914	Roller and pad, Tray 1 pickup and separation pad kit	<a href="#">Internal assemblies (3 of 4) on page 1215</a>
F2A68-67915	Formatter PCA kit (M506n/dn)	<a href="#">Internal assemblies (4 of 4) on page 1217</a>
F2A68-67916	Formatter PCA kit (M506x)	<a href="#">Internal assemblies (4 of 4) on page 1217</a>
F2A68-67919	Door, cartridge kit (M506n/dn)	<a href="#">Covers (M501/M506) on page 1207</a>
F2A68-67920	Door, cartridge kit (M506x)	<a href="#">Covers (M501/M506) on page 1207</a>
F2A72-67901	1x550-sheet paper feeder (whole unit)	<a href="#">1x550-sheet paper feeder on page 1219</a>
F2A74-40001	Plate, name (M527)	<a href="#">Covers (M527) on page 1209</a>
F2A76-40003	Cover, stationary stapler, inner (M527c/f/z)	<a href="#">Covers (M527) on page 1209</a>
F2A76-40004	Door, stapler flap (M527c/f/z)	<a href="#">Covers (M527) on page 1209</a>
F2A76-40005	Cover, stapler blank (M527dn)	<a href="#">Covers (M527) on page 1209</a>
F2A76-40007	Bracket, WiFi PCA (M506z/M527)	<a href="#">Internal assemblies (3 of 4) on page 1215</a>
F2A76-60112	Door, cartridge kit (M527)	<a href="#">Covers (M527) on page 1209</a>
F2A76-60112	Cable, WiFi PCA (M506z/M527)	<a href="#">Internal assemblies (3 of 4) on page 1215</a>
F2A76-60113	Cable, stapler 6-pin (M527)	<a href="#">Internal assemblies (3 of 4) on page 1215</a>
F2A76-67909	Image scanner assembly (M527) kit; includes white backing and retention clips	<a href="#">Document feeder and scanner whole units (M527 only) on page 1205</a>
F2A76-67910	Formatter PCA kit (M527)	<a href="#">Internal assemblies (4 of 4) on page 1217</a>
J8H60-40001	Plate, name (M501)	<a href="#">Covers (M501/M506) on page 1207</a>
J8H60-67901	Formatter PCA (M501n)	<a href="#">Internal assemblies (4 of 4) on page 1217</a>
J8H60-67902	Formatter PCA (M501n; China)	<a href="#">Internal assemblies (4 of 4) on page 1217</a>
J8H60-67903	Roller, Tray 2-3 kit (M501)	<a href="#">Internal assemblies (3 of 4) on page 1215</a>

**Table 2-13 Numerical parts list (continued)**

<b>Part number</b>	<b>Description</b>	<b>Table and page</b>
J8H61-67901	Formatter PCA (M501dn)	<a href="#">Internal assemblies (4 of 4) on page 1217</a>
J8H61-67902	Formatter PCA (M501dn; China)	<a href="#">Internal assemblies (4 of 4) on page 1217</a>
RC4-3010-000CN	Hinge, cartridge door left	<a href="#">Covers (M501/M506) on page 1207</a>
RC4-3010-000CN	Hinge, cartridge door left	<a href="#">Covers (M527) on page 1209</a>
RC4-4141-000CN	Tray, paper delivery output bin (M527)	<a href="#">Covers (M527) on page 1209</a>
RC4-4142-000CN	Cover, HIP (M506 duplex models)	<a href="#">Covers (M501/M506) on page 1207</a>
RC4-4147-000CN	Cover, top left (M527)	<a href="#">Covers (M527) on page 1209</a>
RC4-4149-000CN	Cover, USB (M506)	<a href="#">Covers (M501/M506) on page 1207</a>
RC4-4150-000CN	Cover, top rear (M527)	<a href="#">Covers (M527) on page 1209</a>
RC4-4200-000CN	Cover, formatter (M501)	<a href="#">Covers (M501/M506) on page 1207</a>
RC4-4433-000CN	Cover, I/O (M506)	<a href="#">Covers (M501/M506) on page 1207</a>
RC4-4433-000CN	Cover, I/O (M527)	<a href="#">Covers (M527) on page 1209</a>
RC4-4437-000CN	Cover, right (M501/M506)	<a href="#">Covers (M501/M506) on page 1207</a>
RC4-4437-000CN	Cover, right (M527)	<a href="#">Covers (M527) on page 1209</a>
RC4-4439-000CN	Tray, paper delivery output bin (M501/M506)	<a href="#">Covers (M501/M506) on page 1207</a>
RC4-4479-000CN	Link, pressure release (cartridge door)	<a href="#">Covers (M501/M506) on page 1207</a>
RC4-4479-000CN	Link, pressure release (cartridge door)	<a href="#">Covers (M527) on page 1209</a>
RK2-0535-000CN	Microswitch	<a href="#">Internal assemblies (1 of 4) on page 1211</a>
RK2-6259-000CN	Cable, flat-flexible	<a href="#">Internal assemblies (1 of 4) on page 1211</a>
RK2-6260-000CN	Cable, flat-flexible	<a href="#">Internal assemblies (1 of 4) on page 1211</a>
RK2-6261-000CN	Cable, flat flexible (M506/M527)	<a href="#">Internal assemblies (4 of 4) on page 1217</a>
RK2-6526-000CN	Cable, flat flexible (M501)	<a href="#">Internal assemblies (4 of 4) on page 1217</a>
RK2-7067-000CN	Cable, USB (M506)	<a href="#">Internal assemblies (1 of 4) on page 1211</a>
RK2-7104-000CN	Cable, HIP (M506 duplex models)	<a href="#">Covers (M501/M506) on page 1207</a>

**Table 2-13 Numerical parts list (continued)**

<b>Part number</b>	<b>Description</b>	<b>Table and page</b>
RK2-8068-000CN	Fan (FM1)	<a href="#">Internal assemblies (1 of 4) on page 1211</a>
RK2-8068-000CN	Fan (FM2)	<a href="#">Internal assemblies (4 of 4) on page 1217</a>
RL2-0885-000CN	Case, formatter PCA (M506)	<a href="#">Internal assemblies (4 of 4) on page 1217</a>
RL2-0888-000CN	Case, formatter (M501)	<a href="#">Internal assemblies (4 of 4) on page 1217</a>
RL2-0895-000CN	Case, formatter PCA (M527)	<a href="#">Internal assemblies (4 of 4) on page 1217</a>
RL2-0895-000CN	Case, formatter (M527)	<a href="#">Internal assemblies (4 of 4) on page 1217</a>
RM1-5421-000CN	Solenoid assembly (M501/M506)	<a href="#">Internal assemblies (3 of 4) on page 1215</a>
RM2-5528-000CN	Laser/scanner assembly	<a href="#">Internal assemblies (1 of 4) on page 1211</a>
RM2-5671-000CN	Registration assembly	<a href="#">Internal assemblies (3 of 4) on page 1215</a>
RM2-5677-000CN	Door, cartridge (M501)	<a href="#">Covers (M501/M506) on page 1207</a>
RM2-5679-000CN	Fixing (fuser) assembly 110V-127V	<a href="#">Internal assemblies (2 of 4) on page 1213</a>
RM2-5686-000CN	Cover, top (M506 duplex MF models)	<a href="#">Covers (M501/M506) on page 1207</a>
RM2-5687-000CN	Cover, top (M506 simplex models)	<a href="#">Covers (M501/M506) on page 1207</a>
RM2-5689-000CN	Film bias assembly	<a href="#">Internal assemblies (2 of 4) on page 1213</a>
RM2-5690-000CN	Cassette (Tray 2)	<a href="#">Internal assemblies (2 of 4) on page 1213</a>
RM2-5692-000CN	Fixing (fuser) assembly 220V-240V	<a href="#">Internal assemblies (2 of 4) on page 1213</a>
RM2-5699-000CN	Cover, top (M506 duplex LCD models)	<a href="#">Covers (M501/M506) on page 1207</a>
RM2-5700-000CN	Gear, multi-purpose	<a href="#">Internal assemblies (3 of 4) on page 1215</a>
RM2-5701-000CN	Switch, lever assembly	<a href="#">Internal assemblies (2 of 4) on page 1213</a>
RM2-5702-000CN	Cable, TAG assembly	<a href="#">Internal assemblies (1 of 4) on page 1211</a>
RM2-5711-000CN	Door, rear (M501/M506 duplex models)	<a href="#">Covers (M501/M506) on page 1207</a>
RM2-5711-000CN	Door, rear (M527)	<a href="#">Covers (M527) on page 1209</a>

**Table 2-13 Numerical parts list (continued)**

<b>Part number</b>	<b>Description</b>	<b>Table and page</b>
RM2-5712-000CN	Door, rear (M501/M506 simplex models)	<a href="#">Covers (M501/M506) on page 1207</a>
RM2-5715-000CN	Paper feed drive assembly	<a href="#">Internal assemblies (4 of 4) on page 1217</a>
RM2-5717-000CN	Cover, formatter (M527)	<a href="#">Covers (M527) on page 1209</a>
RM2-5718-000CN	Cover, top (M527)	<a href="#">Covers (M527) on page 1209</a>
RM2-5725-000CN	Cover, formatter (M506)	<a href="#">Covers (M501/M506) on page 1207</a>
RM2-5726-000CN	Cover, top (M501 duplex models)	<a href="#">Covers (M501/M506) on page 1207</a>
RM2-5727-000CN	Cover, left (M501/M506)	<a href="#">Covers (M501/M506) on page 1207</a>
RM2-5727-000CN	Cover, left (M527)	<a href="#">Covers (M527) on page 1209</a>
RM2-5735-000CN	Cover, top (M501)	<a href="#">Covers (M501/M506) on page 1207</a>
RM2-5745-000CN	Roller, separation (Tray 2/3)	<a href="#">Internal assemblies (2 of 4) on page 1213</a>
RM2-7940-000CN	DC controller PCA, duplex (M506)	<a href="#">Internal assemblies (4 of 4) on page 1217</a>
RM2-7941-000CN	Low-voltage power supply (LVPS) 110V-127V (M501/M506)	<a href="#">Internal assemblies (4 of 4) on page 1217</a>
RM2-7942-000CN	Low-voltage power supply (LVPS) 220V-240V (M501/M506)	<a href="#">Internal assemblies (4 of 4) on page 1217</a>
RM2-7945-000CN	Power supply, high-voltage (HVPS)	<a href="#">Internal assemblies (1 of 4) on page 1211</a>
RM2-7948-000CN	Fixing (fuser) power supply <sup>1</sup> (FPS) 110V-127V	<a href="#">Internal assemblies (4 of 4) on page 1217</a>
RM2-7949-000CN	Fixing (fuser) power supply <sup>1</sup> (FPS) 220V-240V	<a href="#">Internal assemblies (4 of 4) on page 1217</a>
RM2-7950-000CN	DC controller PCA, duplex (M501)	<a href="#">Internal assemblies (4 of 4) on page 1217</a>
RM2-7951-000CN	Low-voltage power supply (LVPS) 110V-127V (M527)	<a href="#">Internal assemblies (4 of 4) on page 1217</a>
RM2-7952-000CN	Low-voltage power supply (LVPS) 220V-240V (M527)	<a href="#">Internal assemblies (4 of 4) on page 1217</a>
RM2-7955-000CN	Memory PCA (M506/M527)	<a href="#">Internal assemblies (4 of 4) on page 1217</a>
RM2-8514-000CN	Clutch, paper re-pickup assembly (M501/M506 duplex LCD and MF models)	<a href="#">Internal assemblies (2 of 4) on page 1213</a>
RM2-8597-000CN	Switch, power PCA assembly	<a href="#">Internal assemblies (2 of 4) on page 1213</a>
RM2-8600-000CN	DC controller PCA, simplex (M506)	<a href="#">Internal assemblies (4 of 4) on page 1217</a>



**Table 2-13 Numerical parts list (continued)**

<b>Part number</b>	<b>Description</b>	<b>Table and page</b>
RM2-8610-000CN	DC controller PCA (M527)	<a href="#">Internal assemblies (4 of 4) on page 1217</a>
RM2-8710-000CN	DC controller PCA, simplex (M501)	<a href="#">Internal assemblies (4 of 4) on page 1217</a>
RU8-2935-000CN	Spring, compression (included in the multipurpose tray roller and separation pad kit)	<a href="#">Internal assemblies (3 of 4) on page 1215</a>

