

Illustrations and parts lists

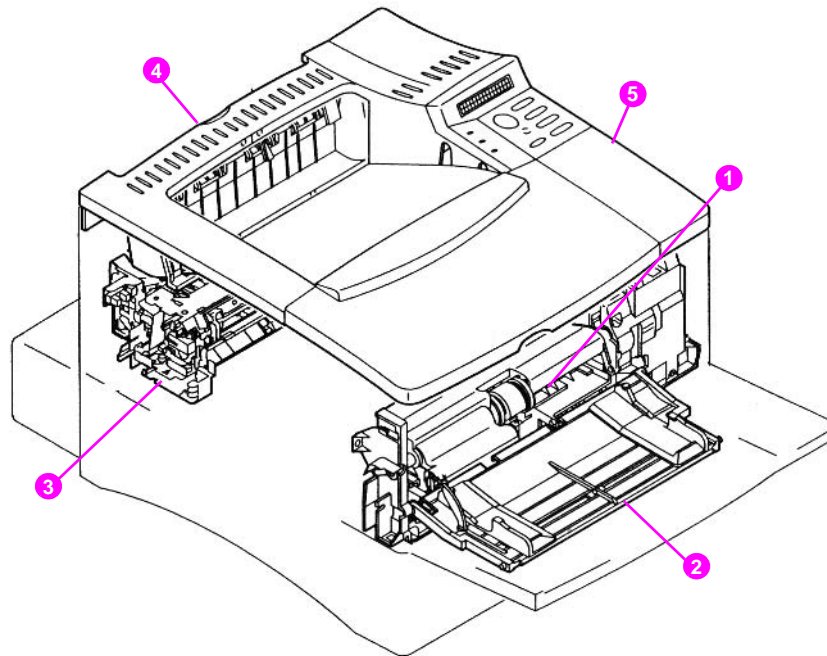


Figure 118. Assembly location diagram (1 of 2)

- 1 Tray 1 pickup assembly
- 2 Tray 1 assembly
- 3 Fuser assembly
- 4 Paper delivery assembly
- 5 Top cover assembly

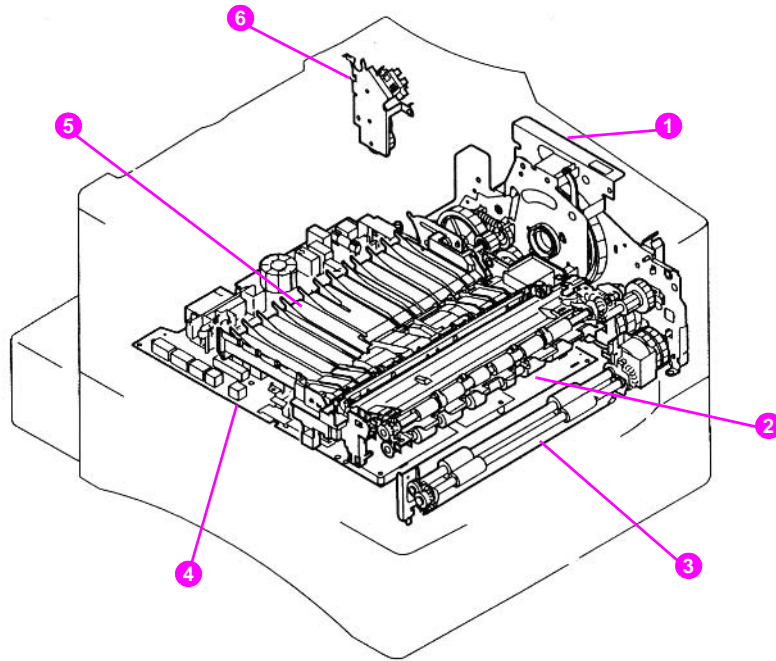


Figure 119. Assembly location diagram (2 of 2)

- 1 Main gear assembly
- 2 Registration assembly
- 3 Paper feed assembly
- 4 Engine controller board assembly
- 5 Paper guide assembly
- 6 Delivery drive assembly

Table 55. Assemblies (listed alphabetically) and their part numbers

Description	Part no.	Exchange no.	Exploded view in figure
Delivery drive assembly	RG5-5095-000CN		Figure 127 on page 289
EIO cover	5021-0349		N/A
Engine controller board	RG5-5361-000CN (110 V) RG5-5362-000CN (220 V)	C8049-69003 (110 V) C8049-69004 (220 V)	Figure 126 on page 288
Firmware DIMM kit ¹	C4168-67901		N/A
Formatter assembly ¹	C4169-67901	C4169-69001	N/A
Fuser	RG5-5063-000CN (110 V) RG5-5064-000CN (220 V)	C8049-69001 (110 V) C8049-69002 (220 V)	Figure 133 on page 296; Figure 134 on page 297
Laser scanner assembly	RG5-5100-000CN	C8049-69005	Figure 123 on page 282
Tray 1 assembly	RG5-2656-080CN		Figure 122 on page 280
Tray 1 pickup assembly	RG5-5084-000CN		Figure 130 on page 292
Paper delivery	RG5-5094-000CN		Figure 132 on page 295
Paper feed assembly	RG5-5086-000CN		Figure 124 on page 284
Paper feed guide assembly	RG5-5083-000CN		Figure 131 on page 294
Registration	RG5-5085-000CN		Figure 124 on page 284
Top cover	RG5-2663-080CN		Figure 121 on page 278

¹. The formatter does not include onboard firmware; it requires a separate firmware DIMM.

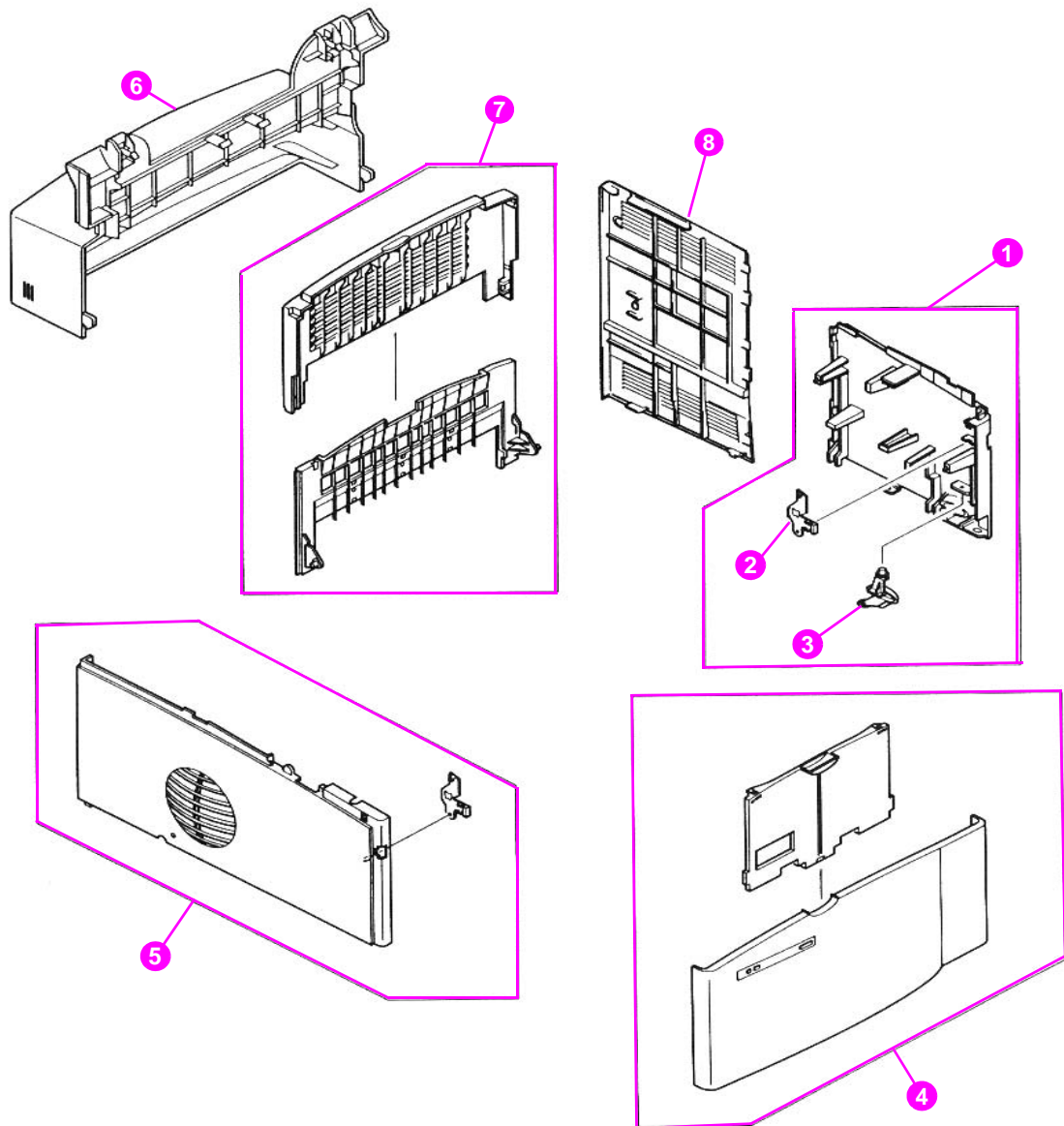


Figure 120. External covers and panels

Table 56. External covers and panels

Item no.	Part no.	Quantity	Description
1	RG5-2664-020CN	1	Cover assembly, right front
2	RB1-8860-000CN	1	Clip, right side panel
3	RB1-8849-000CN	1	Power switch button
4	RG5-2667-070CN	1	Tray 1 door assembly
5	RG5-5098-000CN	1	Cover assembly, left
6	RB2-4827-000CN	1	Cover, tray 2
7	RG5-5097-000CN	1	Tray assembly, rear
8	RB1-8858-000CN	1	Panel, formatter cover

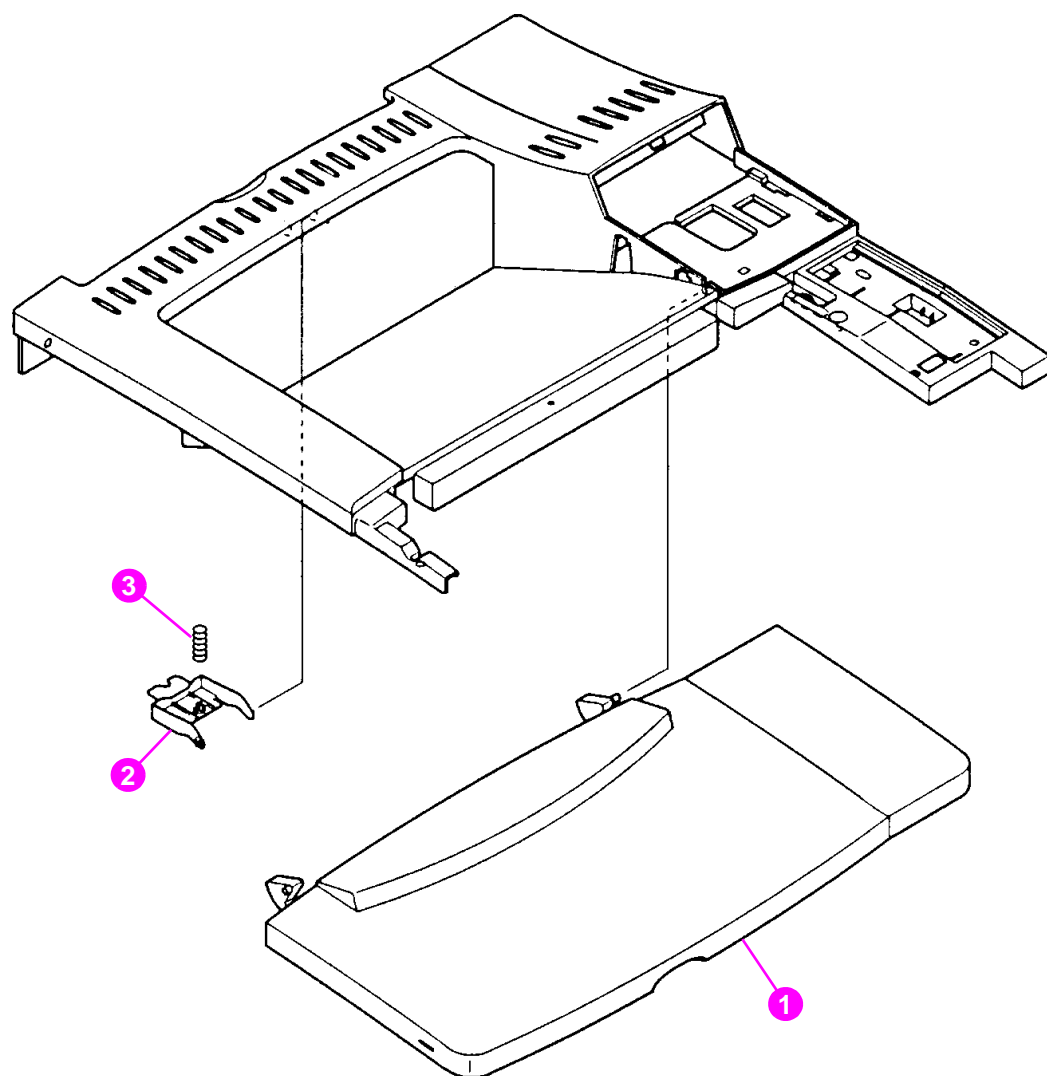


Figure 121. Top cover assembly

Table 57. Top cover assembly

Item no.	Part no.	Quantity	Description
	RG5-2663-080CN	1	Top cover assembly
1	RB1-8841-000CN	1	Panel, toner cartridge access
2	RB1-8846-000CN	1	Latch, rear tray
3	RB1-8847-000CN	1	Spring, rear tray latch

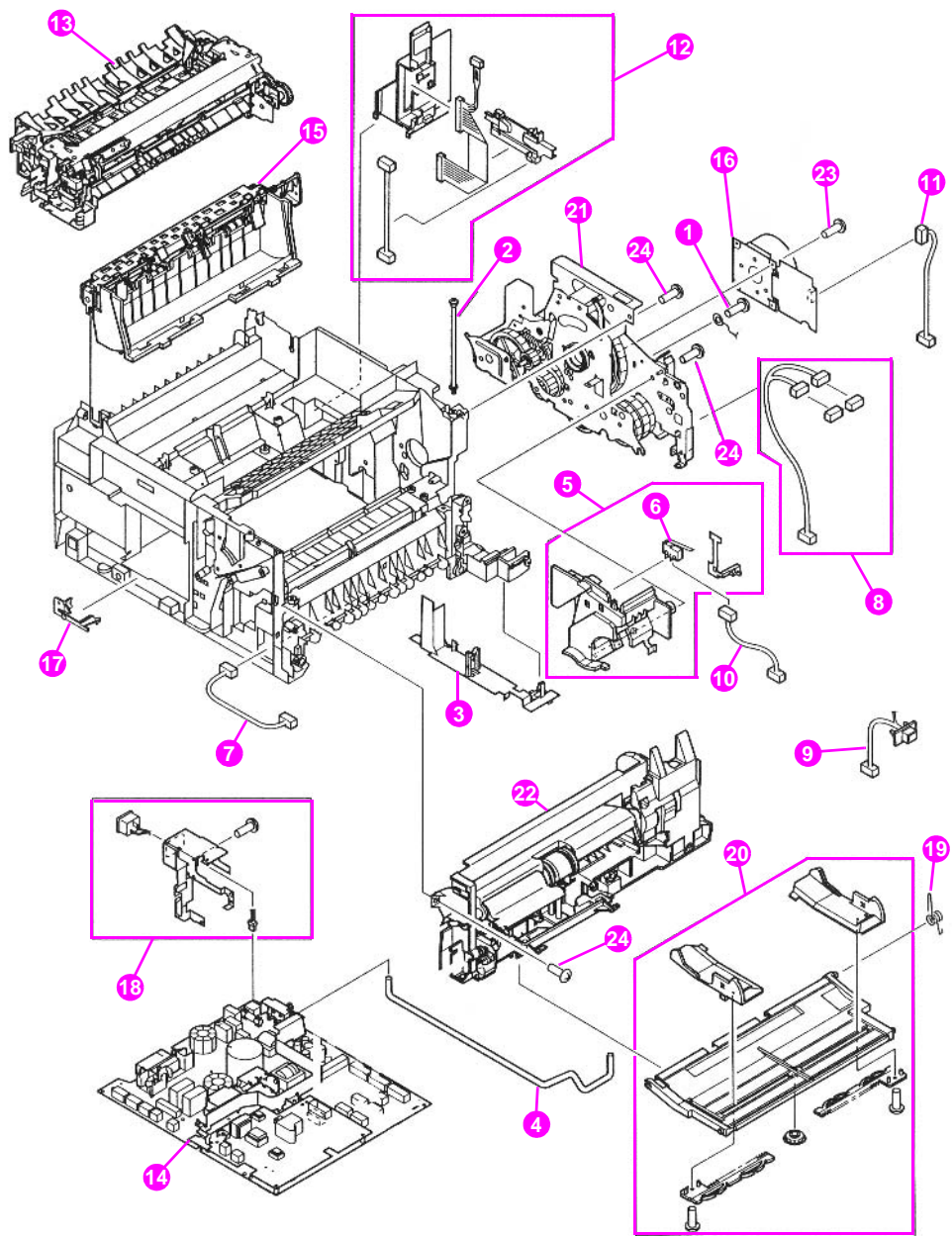


Figure 122. Internal components (1 of 4)

Table 58. Internal components (1 of 4)

Item no.	Part no.	Quantity	Description
1	FA9-1449-000CN	4	Screw, truss head, w/washer, grounding
2	RB2-5013-000CN	2	Screw, M4 x 8.3
3	RB1-8704-030CN	1	Guide, bottom cable
4	RB1-8851-000CN	1	Power switch rod
5	RG5-5274-000CN	1	Front inner cover assembly
6	WC4-5139-000CN	1	Switch, top cover interlock access
7	RG5-5341-000CN	1	Cable, tray 1 sensor
8	RG5-5343-000CN	1	Cable, paper feed/tray 1 pickup solenoid
9	RG5-5344-000CN	1	Cable, envelope feeder connect
10	RG5-5345-000CN	1	Cable, top cover switch
11	RG5-5346-000CN	1	Cable, main motor
12	RG5-5351-000CN	1	Cable, assembly, formatter
13	C8049-69001	1	Fusing assembly (110 V)
	C8049-69002	1	Fusing assembly (220 V)
14	C8049-69003	1	Engine controller board (110 V)
	C8049-69004	1	Engine controller board (220 V)
15	RG5-5094-000CN	1	Delivery assembly
16	RH7-1440-000CN	1	Main motor assembly
17	RB2-4986-000CN	1	Clip, fan
18	RG5-5111-000CN	1	AC, power receptacle (110 V)
	RG5-5280-000CN	1	AC, power receptacle (220 V)
19	RB2-4122-000CN	1	Hinge spring, tray
20	RG5-2656-080CN	1	Tray 1 assembly
21	RG5-5087-000CN	1	Printer drive assembly
22	RG5-5084-000CN	1	Tray 1 pickup assembly
23	XB6-7300-807CN	4	Screw, TP, M3x8, main motor
24	XB4-7401-207CN	31	Screw, tapping, pan head, M4x12

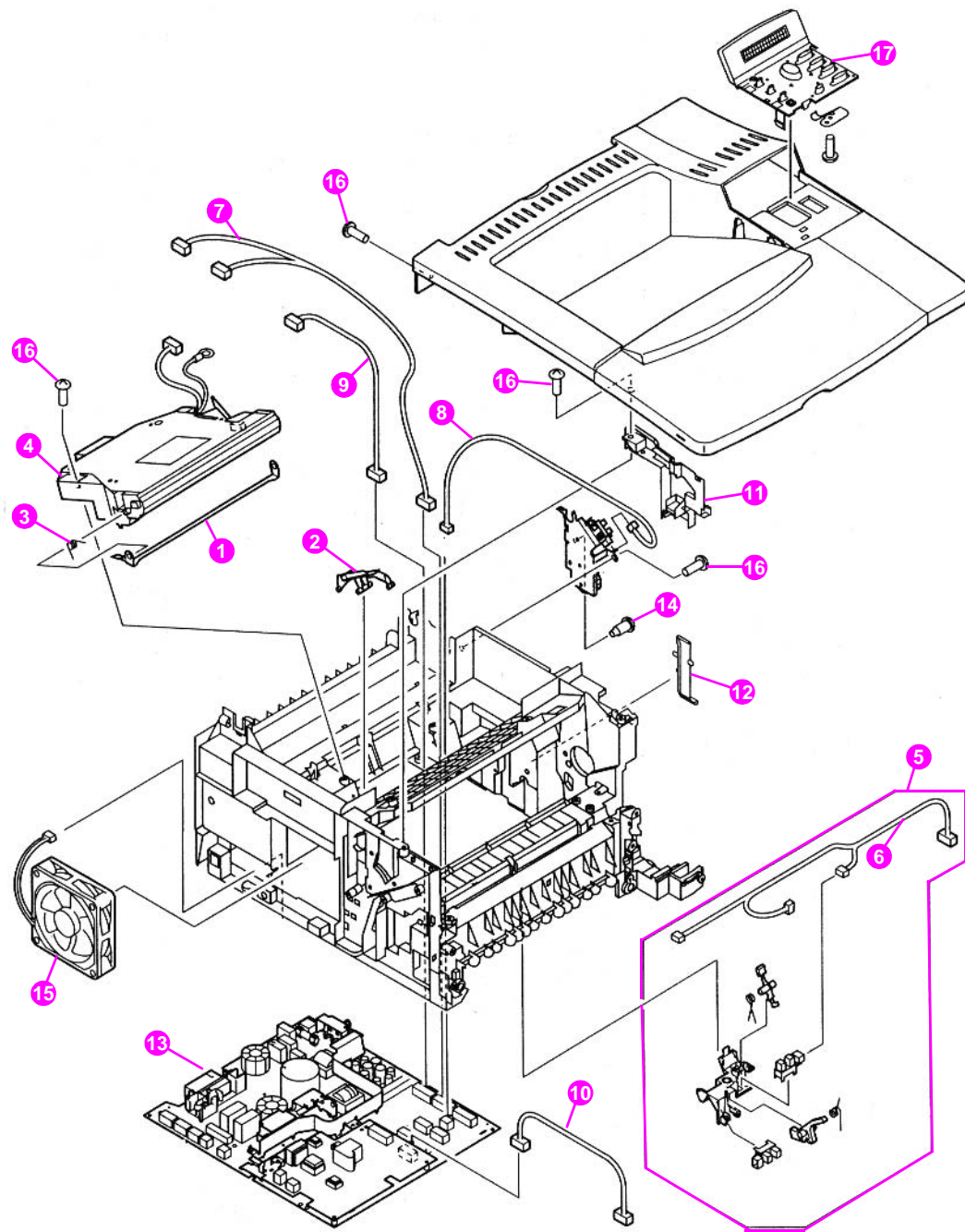


Figure 123. Internal components (2 of 4)

Table 59. Internal components (2 of 4)

Item no.	Part no.	Quantity	Description
1	RB1-8699-000CN	1	Shutter
2	RB1-8700-000CN	1	Laser shutter arm
3	RB1-8702-000CN	1	Spring, shutter
4	RG5-5100-000CN	1	Laser scanner assembly
5	RG5-5275-000CN	1	Registration/feed sensor assembly
6	RG5-5357-000CN	1	Cable, feed/registration sensors
7	RG5-5348-000CN	1	Cable, scanner
8	RG5-5349-000CN	1	Cable, output bin sensor
9	RG5-5350-000CN	1	Cable, laser
10	RG5-5470-000CN	1	Cable, memory
11	RB2-5003-000CN	1	Support, top cover, left
12	RB2-4992-000CN	1	Cable holder, formatter
13	C8049-69003	1	Engine controller board (110 V)
	C8049-69004	1	Engine controller board (220 V)
14	XA9-1143-000CN	2	Screw, stepped, M4, formatter
15	RH7-1442-000CN	1	Fan, main cooling
16	XB4-7401-207CN	31	Screw, tapping, pan head, M4x12
17	RG5-5372-040CN	1	Control panel, assembly

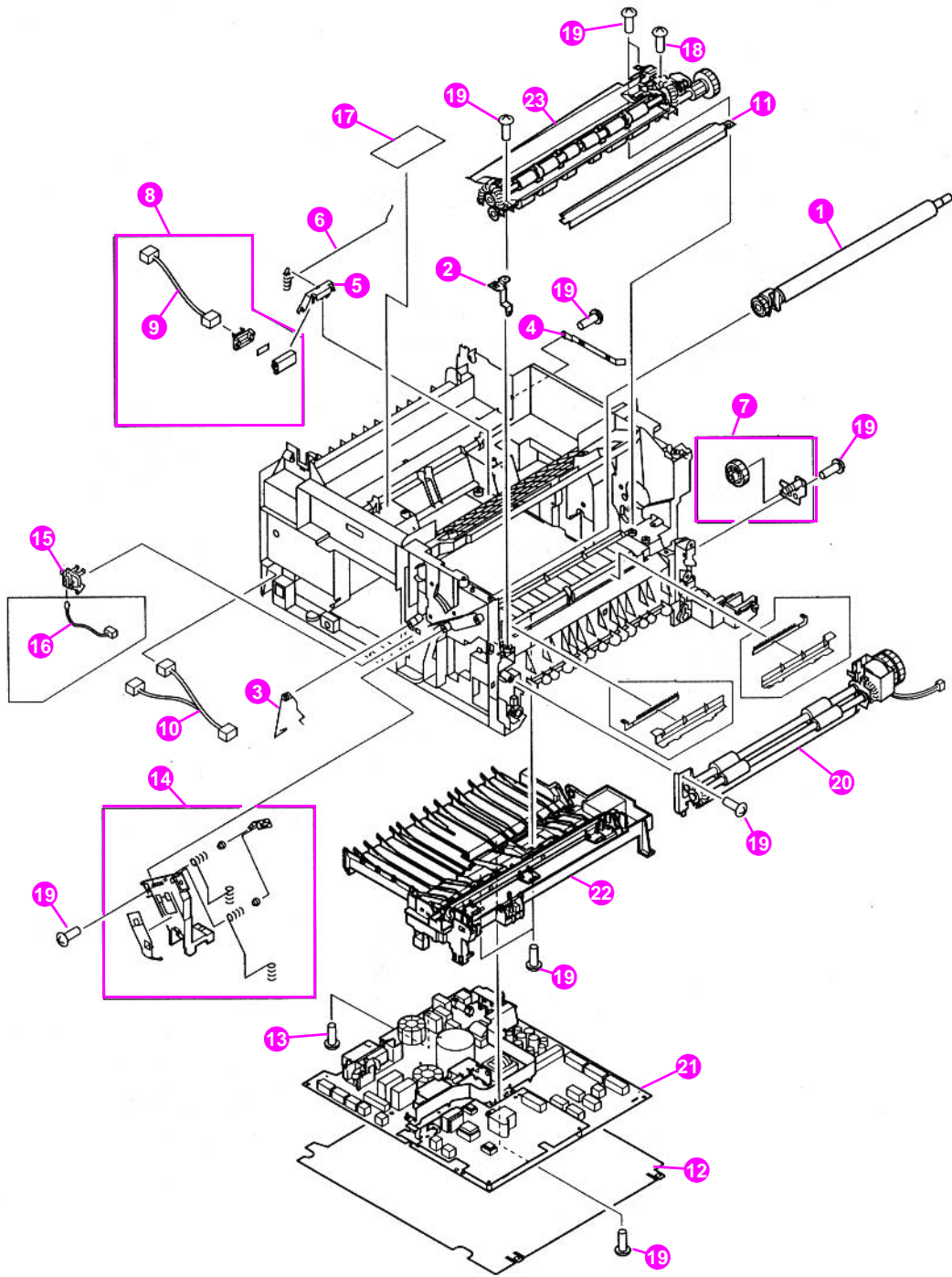


Figure 124. Internal components (3 of 4)

Table 60. Internal components (3 of 4)

Item no.	Part no.	Quantity	Description
1	RG5-5295-000CN	1	Transfer roller assembly
2	RB2-4969-000CN	1	Plate, registration ground
3	RB2-4997-000CN	1	Spring, toner cartridge ground
4	RB2-5002-000CN	1	Plate, continuity
5	RB2-5008-000CN	1	Cartridge memory antenna bracket
6	RB2-5009-000CN	1	Spring, cartridge memory assembly
7	RG5-3723-000CN	1	MP idler assembly
8	RG5-5276-000CN	1	Cartridge memory antenna assembly
9	RG5-5471-000CN	1	Antenna cable
10	RG5-5358-000CN	1	Cable, duplexer
11	RB2-5043-000CN	1	Lower transfer-roller guide
12	RB2-4975-000CN	1	Insulation, engine controller board
13	XA9-1016-000CN	3	Screw w/washer, M3x6, engine controller
14	RG5-5273-000CN	1	Antenna assembly
15	RB2-4996-000CN	1	Mount, thermistor
16	RH7-7116-000CN	1	Thermistor, environmental
17	RG5-5468-000CN	1	PCB, memory controller
18	FA9-1449-000CN	1	Screw, truss head, w/washer, grounding
19	XB4-7401-207CN	5	Screw, tapping, pan head, M4x12
20	RG5-5086-000CN	1	Paper feed assembly
21	C8049-69003	1	Engine controller board (110 V)
	C8049-69004	1	Engine controller board (220 V)
22	RG5-5083-000CN	1	Paper feed guide assembly
23	RG5-5085-000CN	1	Registration assembly

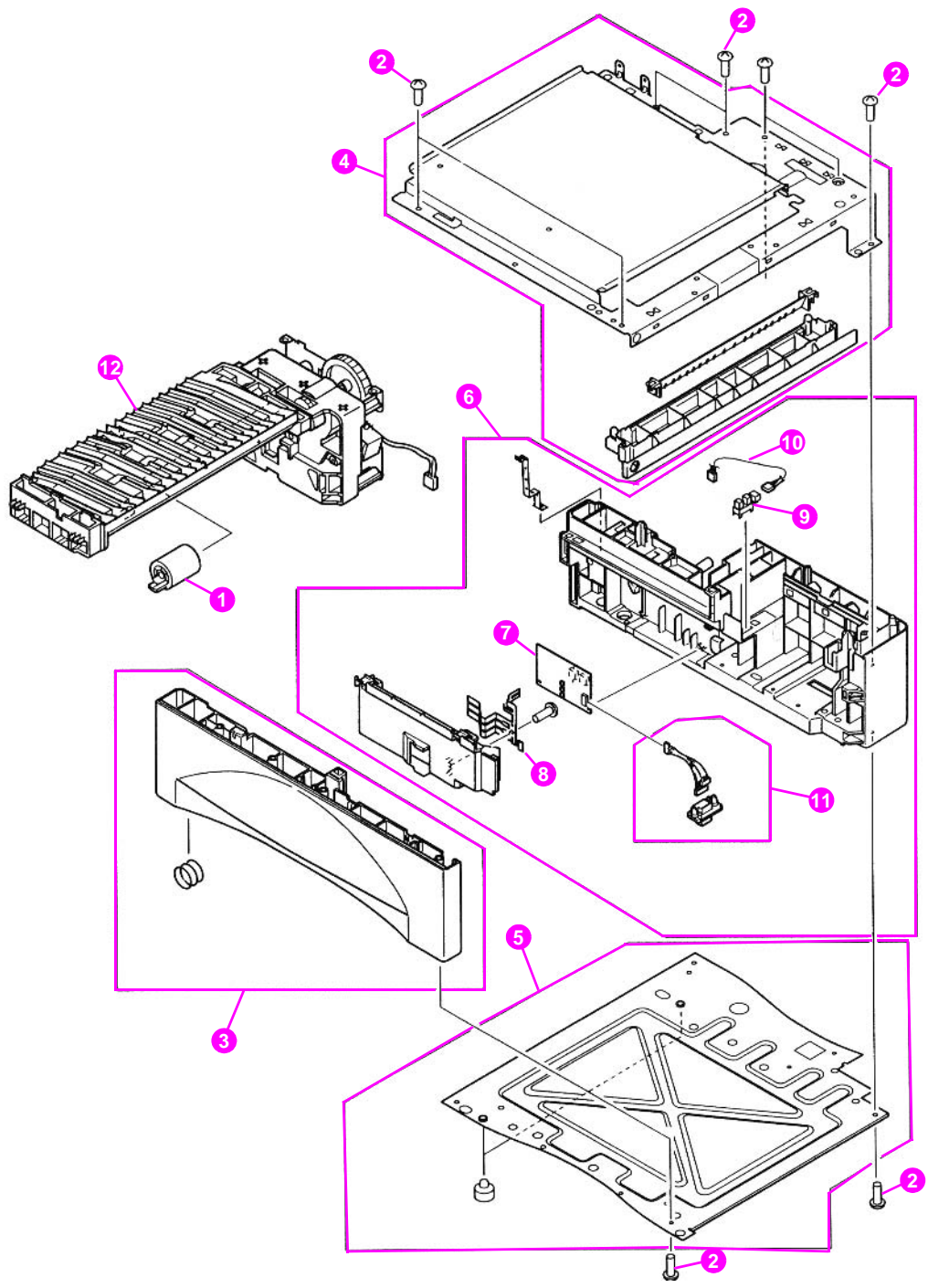


Figure 125. Internal components (4 of 4)

Table 61. Internal components (4 of 4)

Item no.	Part no.	Quantity	Description
1	RF5-3114-000CN	1	Roller, feed
2	XA9-0870-000CN	12	Screw, M4x10
3	RG5-2669-000CN	1	Left frame assembly, tray 2
4	RG5-5072-000CN	1	Upper frame assembly, tray 2
5	RG5-5271-000CN	1	Lower frame assembly
6	RG5-5278-000CN	1	Right frame assembly, tray 2
7	RG5-2673-004CN	1	Paper-size detection PCB assembly, tray 2
8	RB2-4837-000CN	1	Spring, leaf
9	WG8-5362-000CN	1	Photo-interrupter, TLP1241
10	RG5-3711-000CN	1	Cable, paper feeder sensor
11	RG5-3712-000CN	1	Cable, paper feed with connector
12	RG5-5277-000CN	1	Paper pickup guide assembly, tray 2 (figure 129 on page 291)

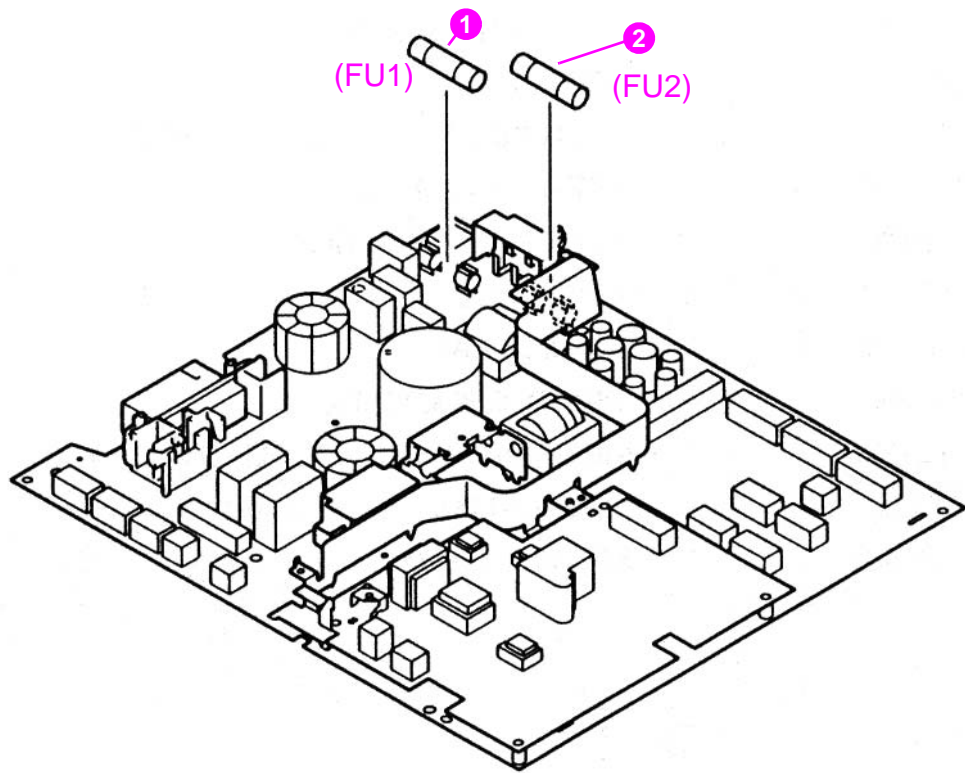


Figure 126. Engine controller board assembly

Table 62. Engine controller board assembly

Item no.	Part no.	Exchange no.	Quantity	Description
	RG5-5361-000CN	C8049-69003	1	Engine controller board assembly (110 V)
	RG5-5362-000CN	C8049-69004	1	Engine controller board assembly (220 V)
1	RH3-8006-000CN WD1-0268-000CN		1 1	Fuse, 220 V, Engine Board Fuse, 110 V, Engine Board
2	VD7-0256-001CN VD7-0643-151CN		1 1	Fuse, 110 V, Engine Fuse, 220 V, Engine

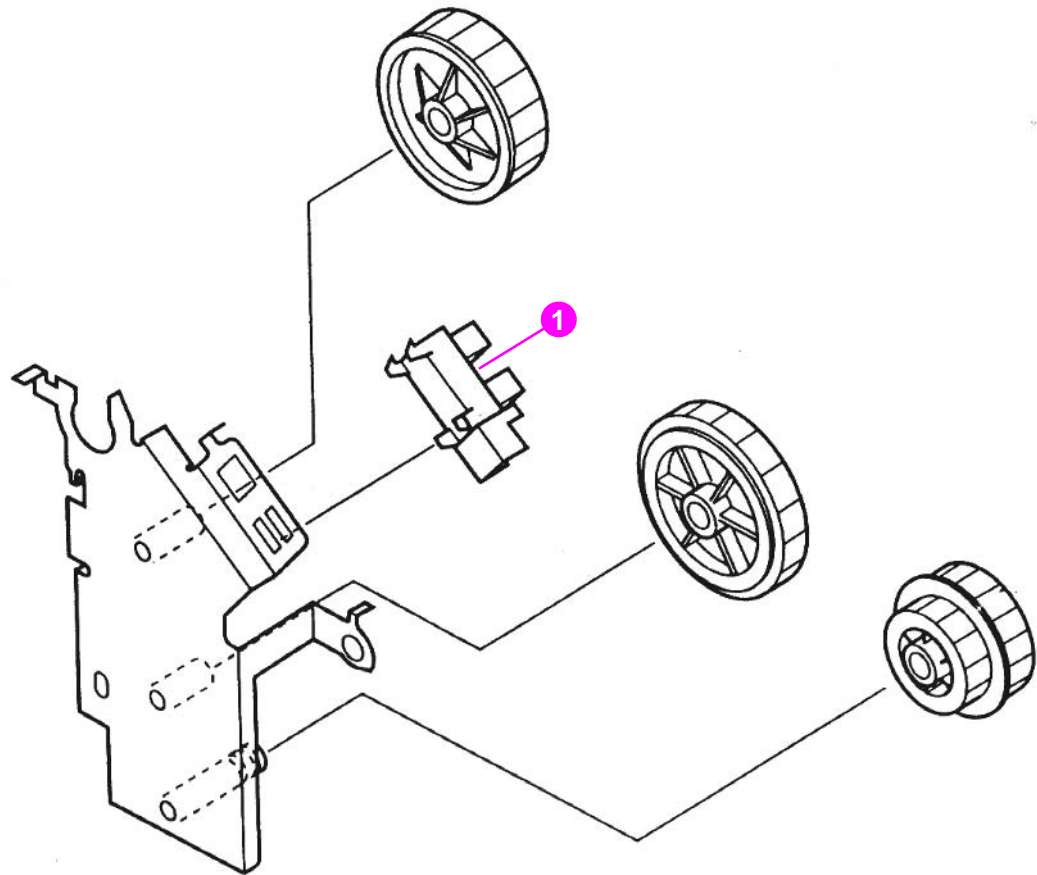


Figure 127. Delivery drive assembly

Table 63. Delivery drive assembly

Item no.	Part no.	Quantity	Description
	RG5-5095-000CN	1	Delivery drive assembly
1	WG8-5362-000CN	1	Sensor, optical, included in assembly

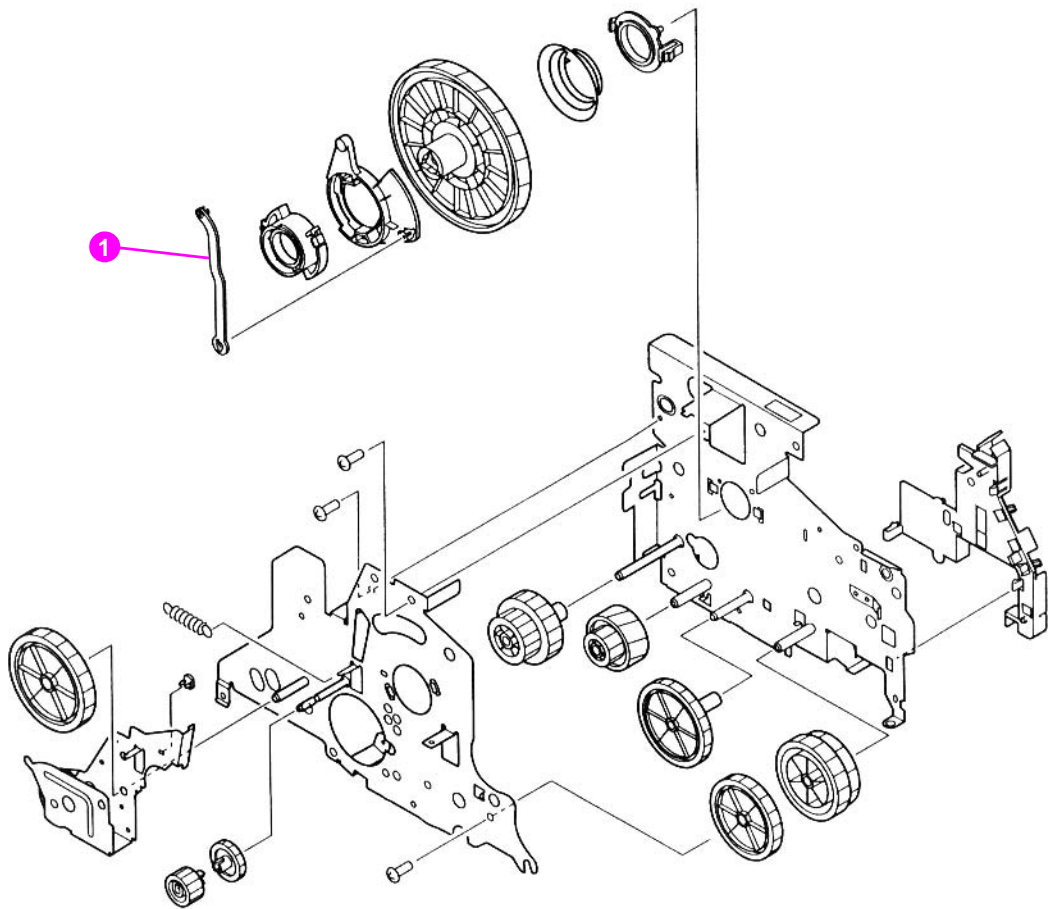


Figure 128. Printer drive assembly

Table 64. Printer drive assembly

Item no.	Part no.	Quantity	Description
	RG5-5087-000CN	1	Printer drive assembly
1	RB1-8756-000CN	1	Rod, toner drive, included in assembly

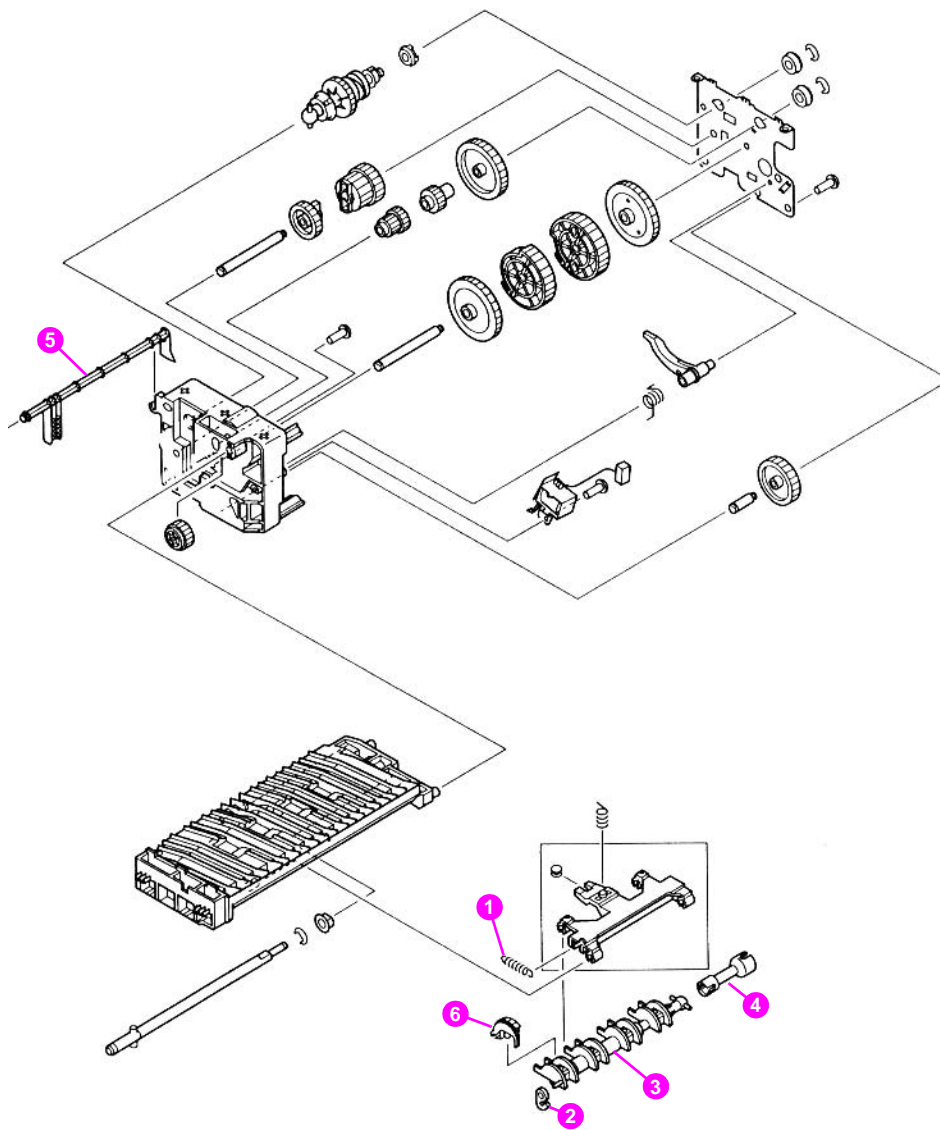


Figure 129. Tray 2 paper pickup guide assembly

Table 65. Paper pickup guide assembly

Item no.	Part no.	Quantity	Description
	RG5-5277-000CN	1	Paper pickup guide assembly, tray 2
1	RS5-2632-000CN	1	Spring, tension
2	RB1-2190-000CN	1	Clip, pickup spring
3	RB1-8867-000CN	1	Shaft, roller
4	RB1-8877-000CN	1	Joint
5	RB1-8879-000CN	1	Arm, tray sensing
6	RB1-8957-000CN	4	Pickup roller

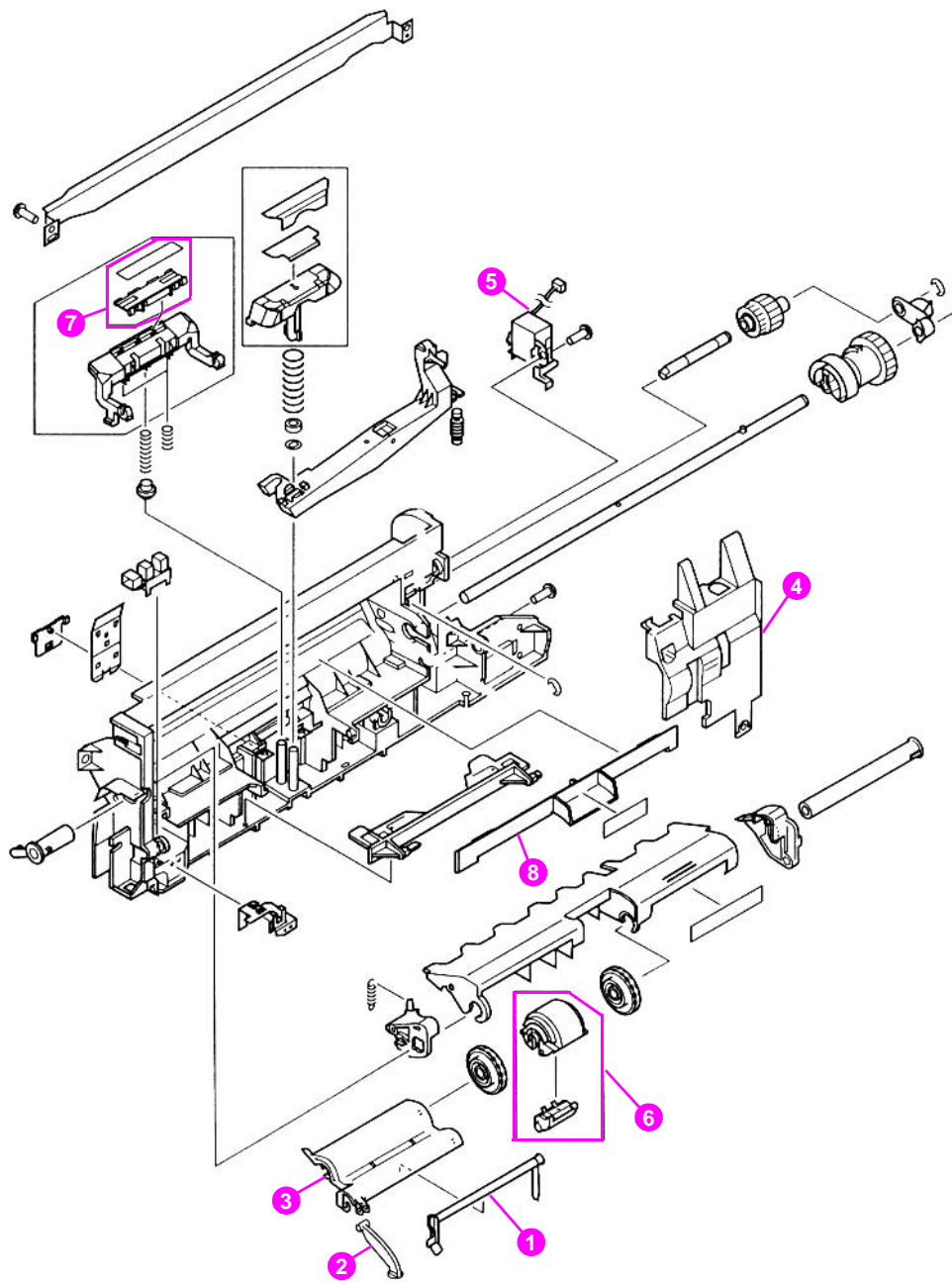


Figure 130. Tray 1 pickup assembly

Table 66. Tray 1 pickup assembly

Item no.	Part no.	Quantity	Description
	RG5-5084-000CN	1	Tray 1 pickup assembly
1	RB1-8787-050CN	1	Arm, tray 1 paper sensing
2	RB2-2387-000CN	1	Arm, tray 1 retaining
3	RB2-5040-000CN	1	Cover, tray 1 sensor arm
4	RB2-5019-000CN	1	Gear cover
5	RH7-5172-000CN	1	Solenoid, tray 1 drive
6	RG5-3718-000CN	1	Tray 1 pickup roller assembly
7	RF5-3086-000CN	1	Pad, separation
8	RB2-5037-000CN	1	Cover, envelope feeder

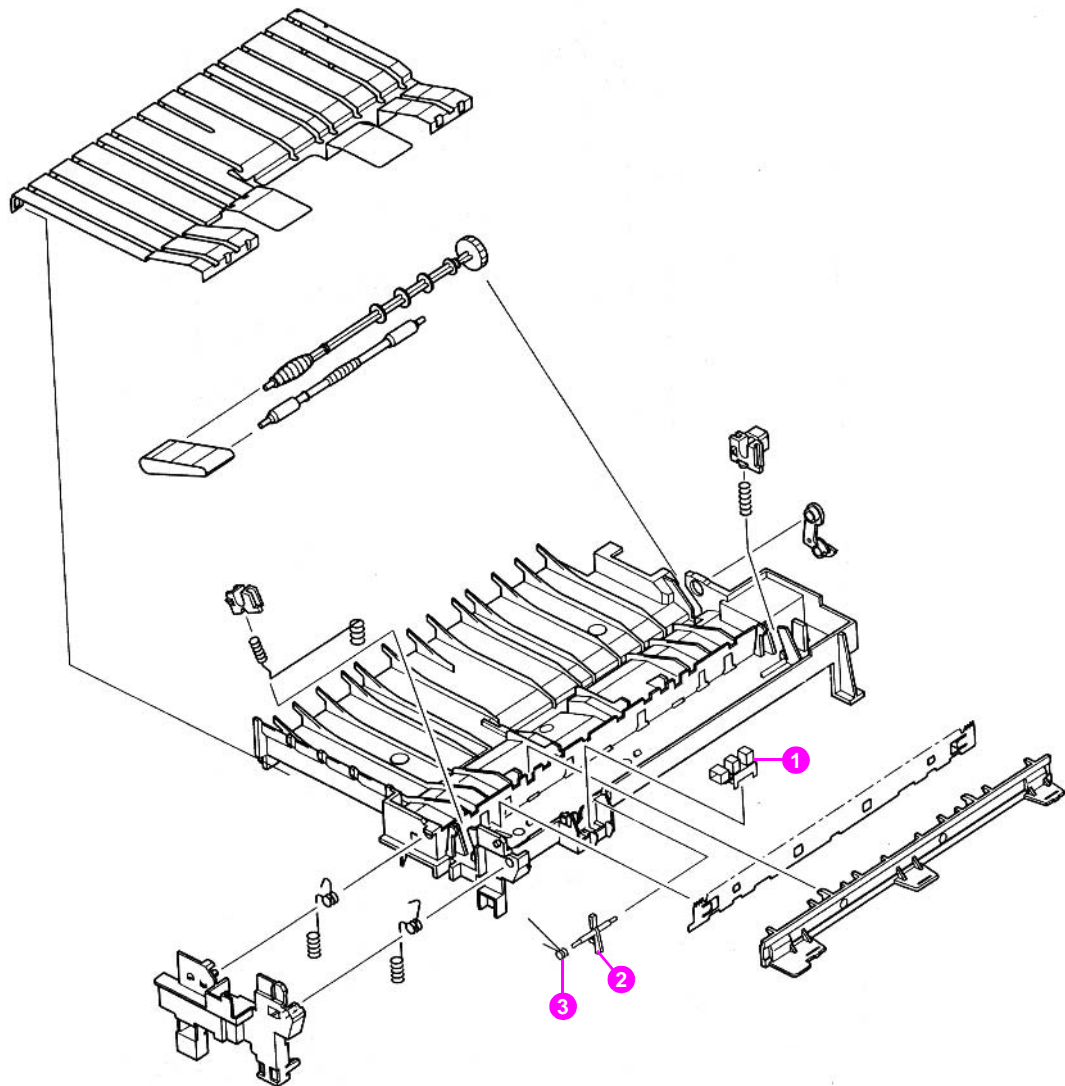


Figure 131. Paper feed guide assembly

Table 67. Paper feed assembly

Item no.	Part no.	Quantity	Description
	RG5-5083-000CN	1	Paper feed guide assembly
1	WG8-5362-000CN	1	Photo-interrupter
2	RB2-5034-000CN	1	Flag, sensor
3	RB2-5035-000CN	1	Spring, torsion

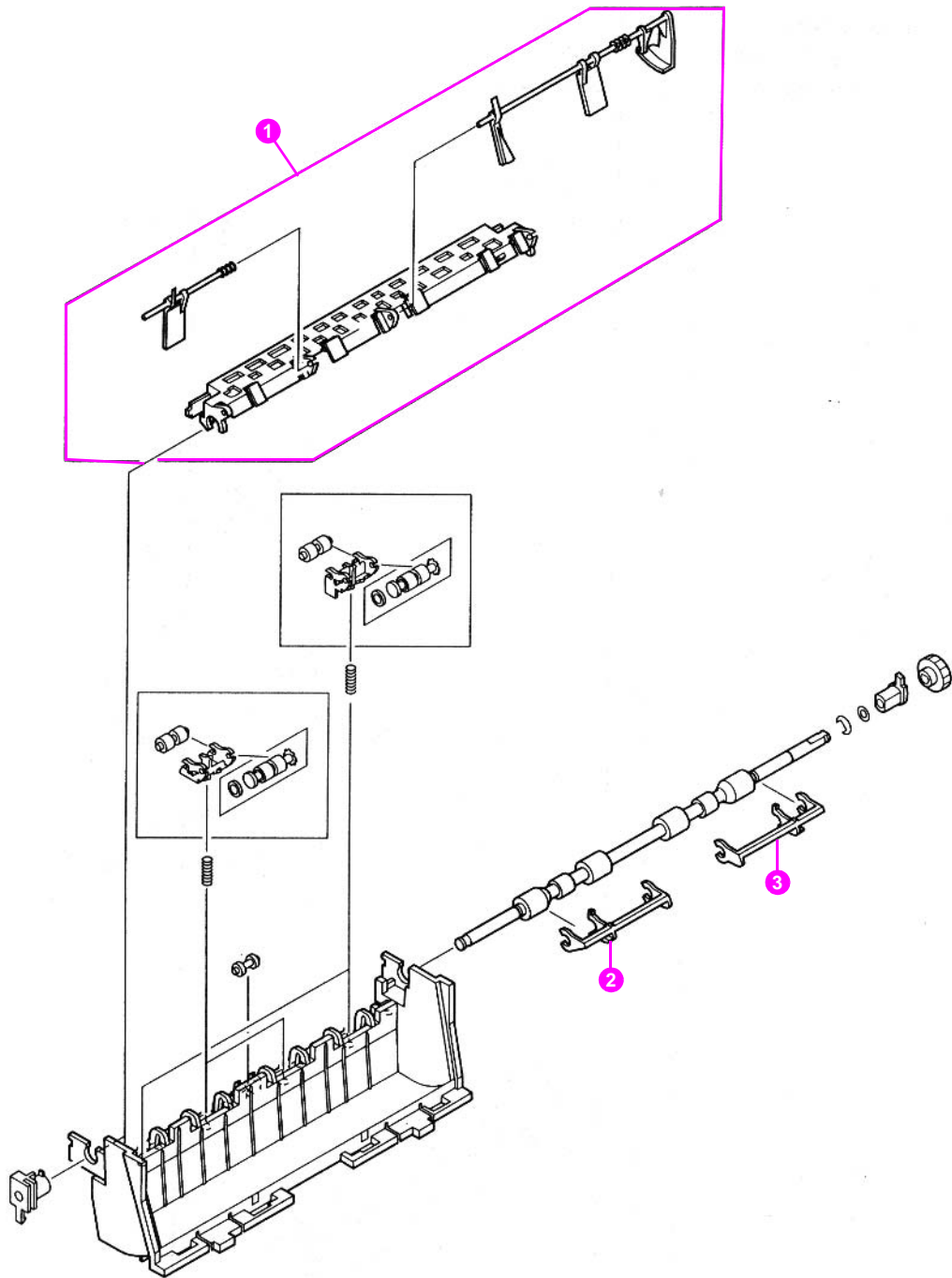


Figure 132. Delivery assembly

Table 68. Delivery assembly

Item no.	Part no.	Quantity	Description
	RG5-5094-000CN	1	Delivery assembly
1	RG5-5093-000CN	1	Delivery sensor arm assembly
2	RB2-4948-000CN	1	Arm, output kicker, left
3	RB2-4949-000CN	1	Arm, output kicker, right

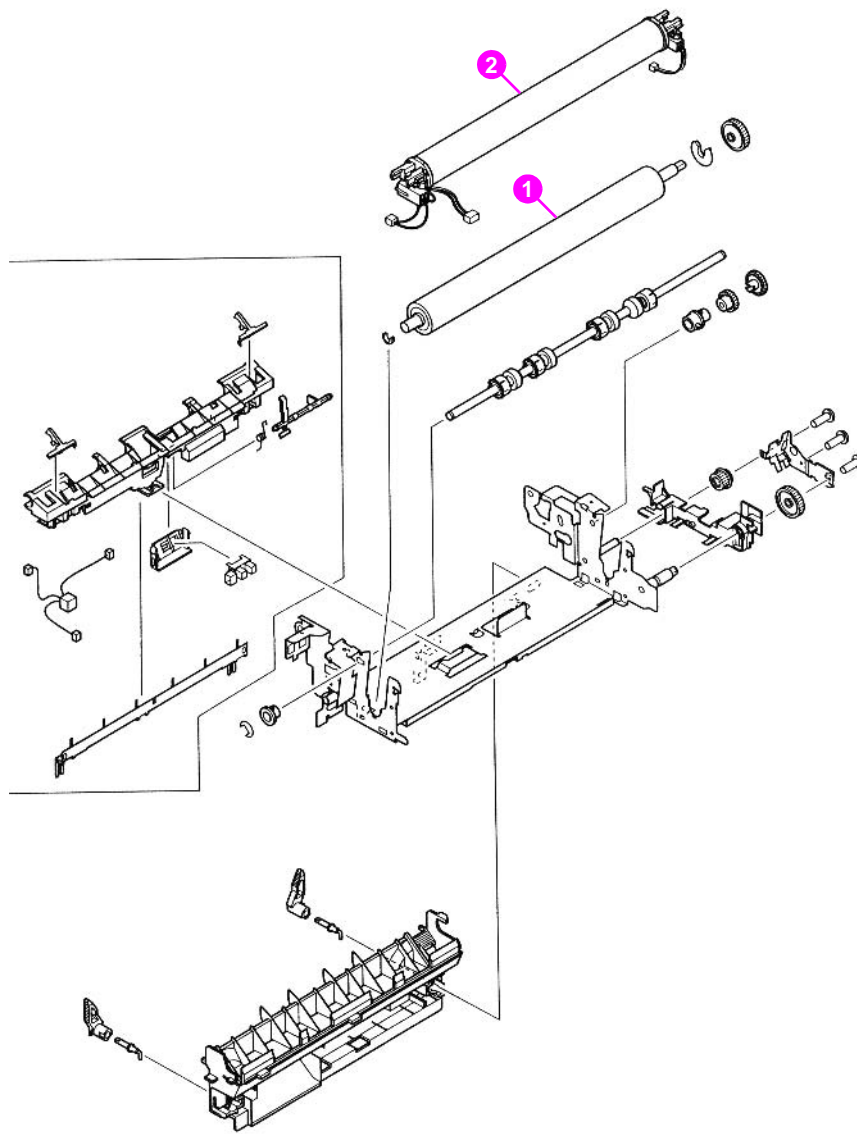


Figure 133. Fuser assembly (1 of 2)

Table 69. Fuser assembly

Item no.	Part no.	Exchange no.	Quantity	Description
	RG5-5063-000CN	C8049-69001	1	Fuser (110 V)
	RG5-5064-000CN	C8049-69002	1	Fuser (220 V)
1	RB2-4919-000CN		1	Roller, pressure
2	RG5-5068-000CN		1	Fuser film assembly (110 V)
	RG5-5069-000CN		1	Fuser film assembly (220 V)

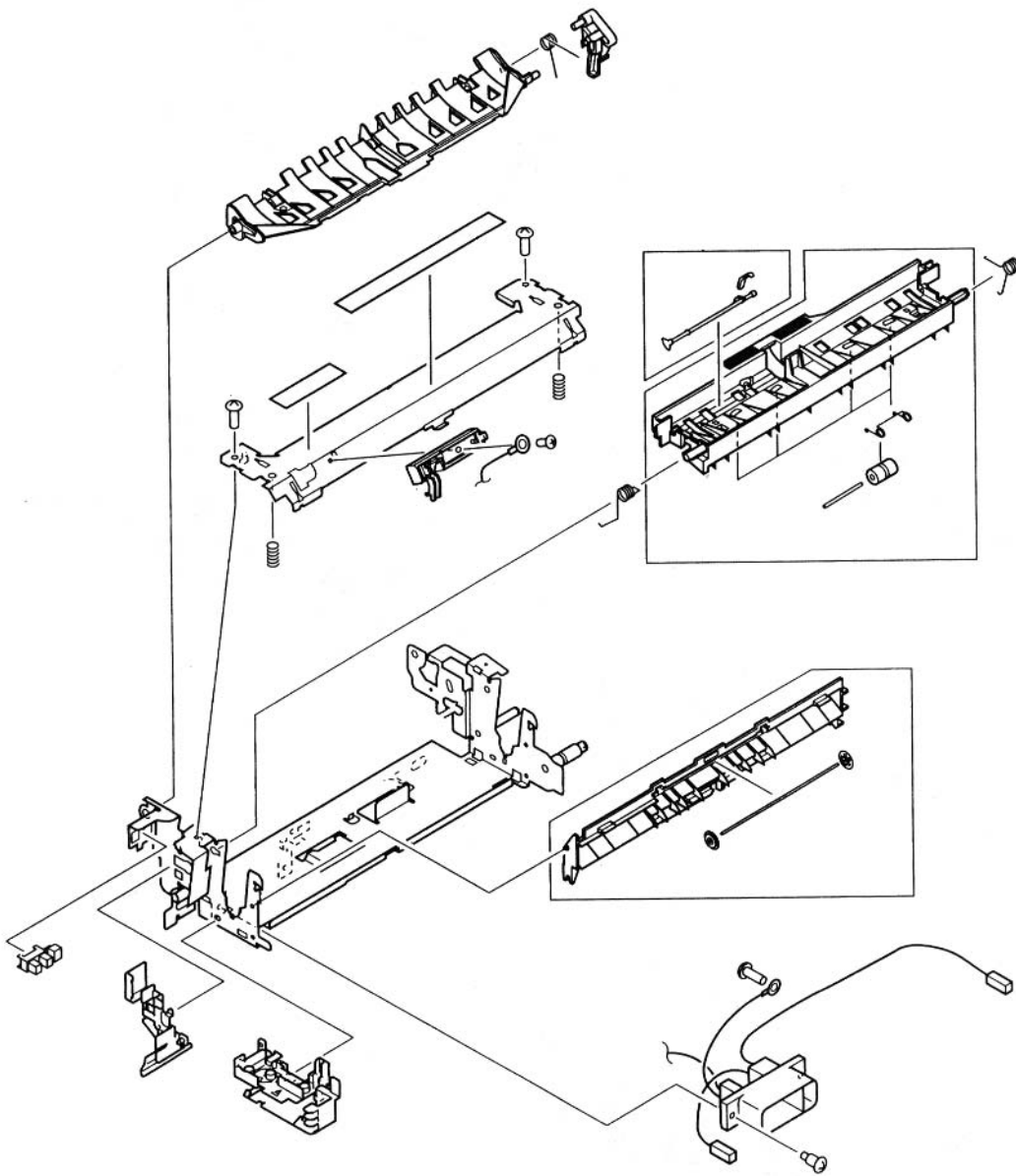


Figure 134. Fuser assembly (2 of 2)

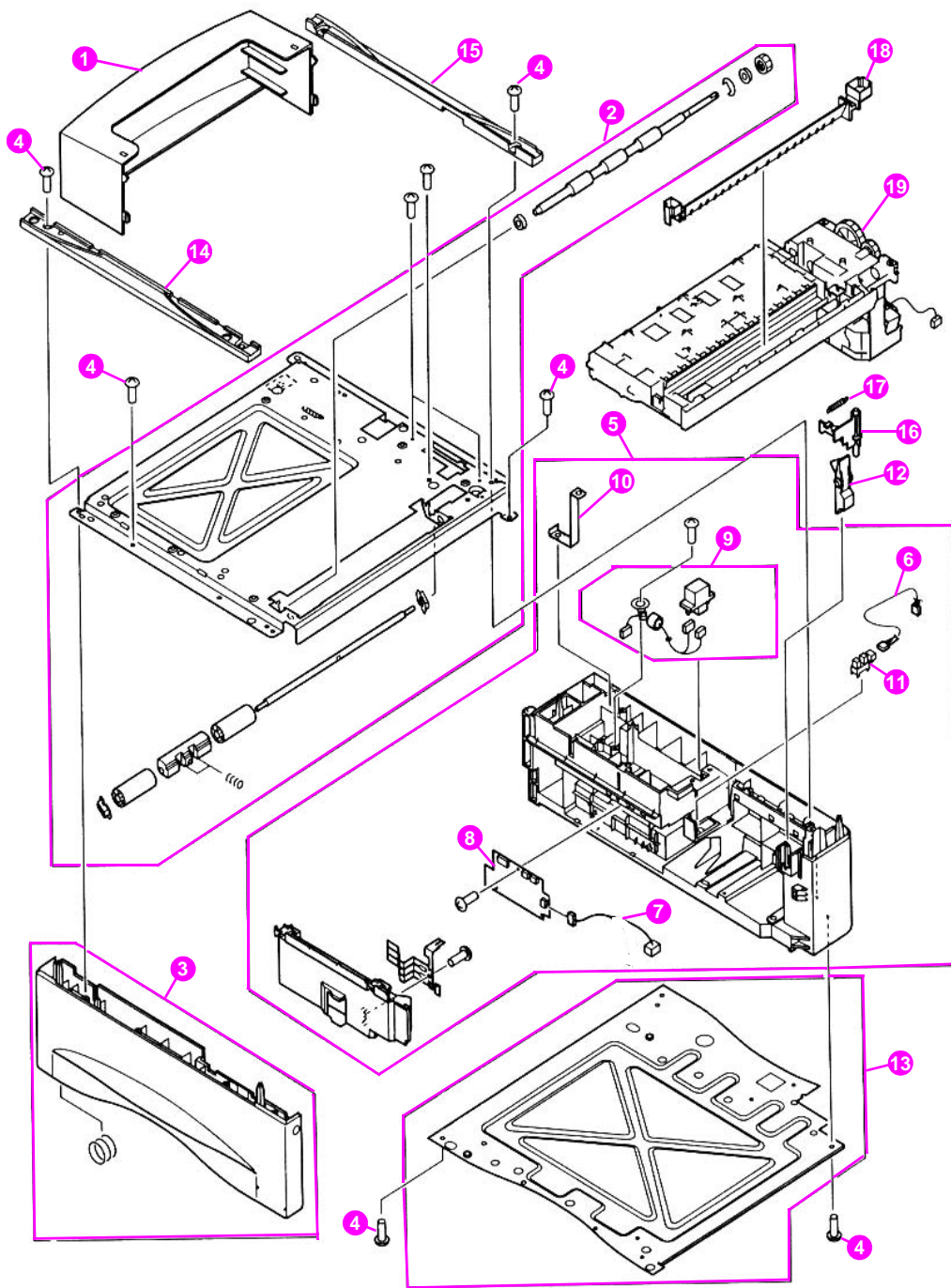


Figure 135. Internal components of optional 500-sheet feeder

Table 70. Internal components of optional 500-sheet feeder

Item no.	Part no.	Quantity	Description
1	RB2-4836-000CN	1	Cover, tray
2	RG5-2689-000CN	1	Upper frame assembly, optional 500-sheet feeder
3	RG5-5292-000CN	1	Left frame assembly, optional 500-sheet feeder
4	FA9-2753-000CN	19	Screw, M4x10
5	RG5-5291-000CN	1	Right frame assembly, optional 500-sheet feeder
6	RG5-3711-000CN	1	Paper sensor cable
7	RG5-3712-000CN	1	Paper feeder cable
8	RG5-5539-000CN	1	Paper feeder PCA, optional 500-sheet feeder
9	RG5-3822-000CN	1	Paper feeder cable
10	RB1-9397-000CN	1	Plate, grounding
11	WG8-5362-000CN	1	Photo-sensor
12	RB2-3497-000CN	1	Lever, release
13	RG5-5271-000CN	1	Lower frame assembly
14	RB1-8924-000CN	1	Cover, grip, left
15	RB1-9385-000CN	1	Cover, grip, right
16	RB2-2412-000CN	1	Lever
17	RS5-2658-000CN	1	Spring, tension
18	RB1-8914-000CN	1	Guide, paper
19	RG5-5293-000CN	1	Paper pickup guide assembly, optional 500-sheet feeder

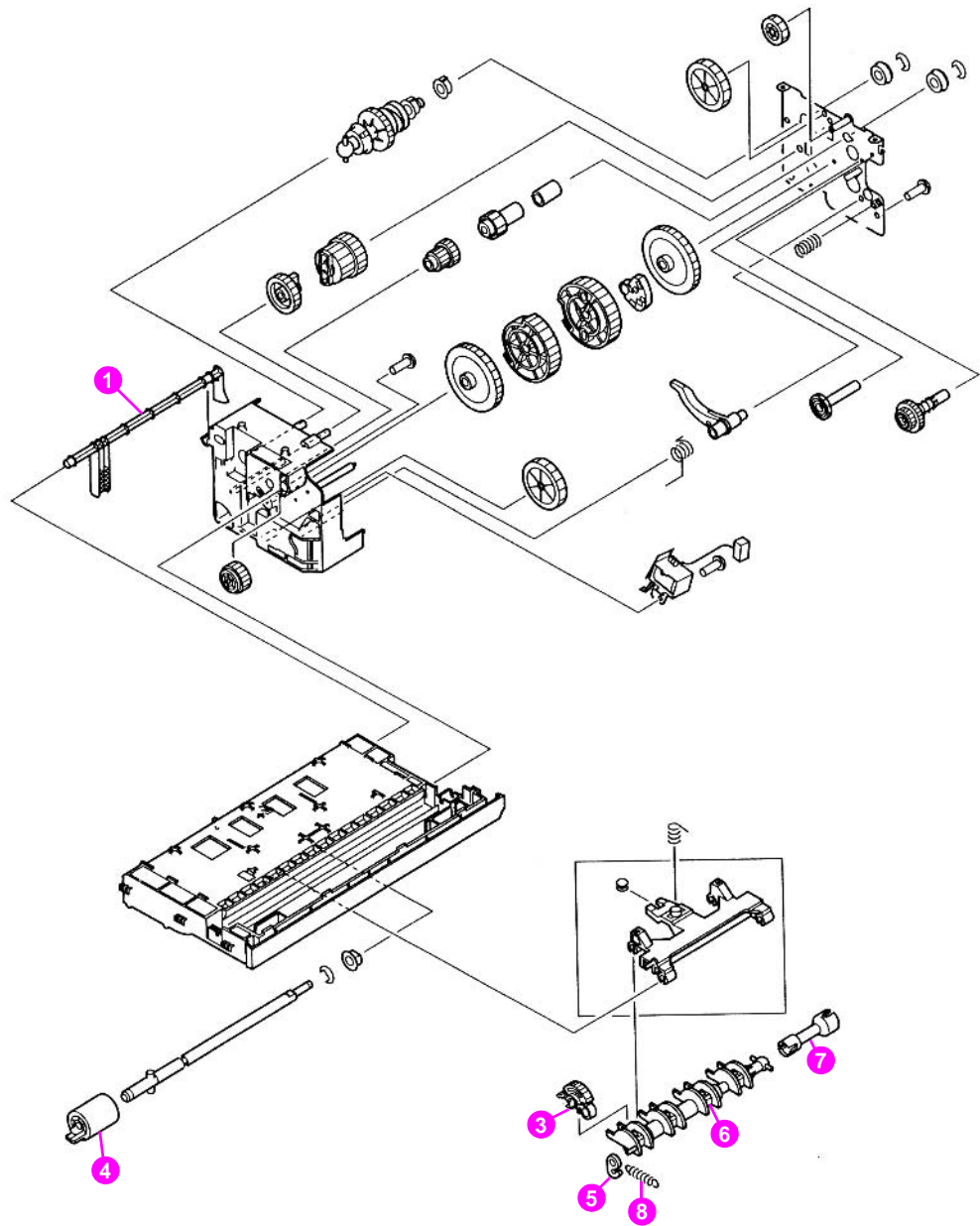


Figure 136. Paper pickup guide assembly of optional 500-sheet feeder

Table 71. Paper pickup guide assembly, optional 500-sheet feeder

Item no.	Part no.	Quantity	Description
	RG5-5293-000CN	1	Paper pickup guide assembly, optional 500-sheet feeder
1	RB1-8879-000CN	1	Arm, tray sensing
3	RB1-8957-000CN	4	Roller, pickup
4	RF5-3114-000CN	1	Feed, roller
5	RB1-2190-000CN	1	Clip, pickup spring
6	RB1-8867-000CN	1	Shaft, roller
7	RB1-8877-000CN	1	Coupler, pickup
8	RS5-2632-000CN	1	Spring, tension

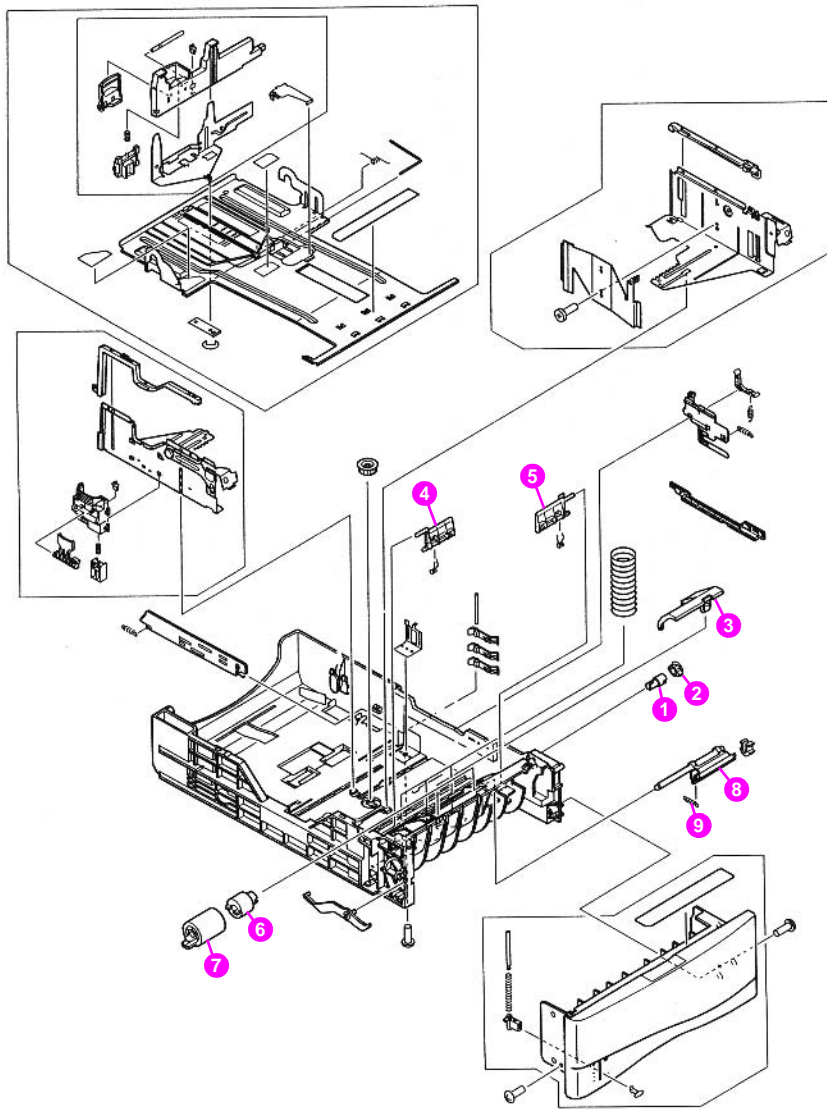


Figure 137. 500-sheet tray

Table 72. 500-sheet tray

Item no.	Part no.	Quantity	Description
1	RB1-8945-000CN	1	Coupler, separation roller
2	RB1-8946-000CN	1	Bushing, separation roller
3	RB1-8947-000CN	1	Panel, roller access
4	RB1-8961-000CN	1	Left arm lifter
5	RB1-8962-000CN	1	Right arm lifter
6	RB1-8974-000CN	1	Torque limiter
7	RF5-3114-000CN	1	Roller, feed
8	RF5-2489-000CN	1	Mounting assembly separation roller
9	RS5-2622-020CN	1	Spring, separation roller tension

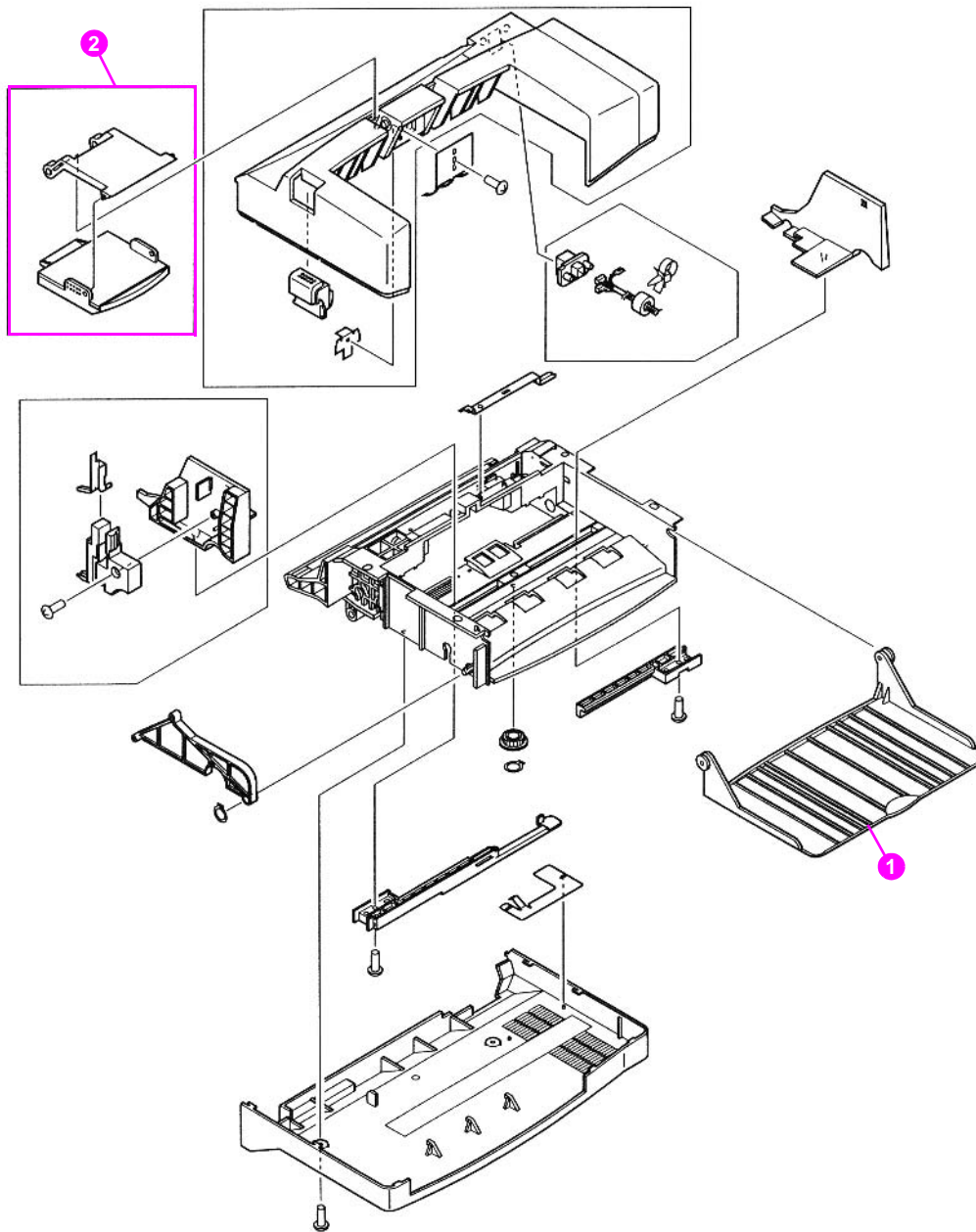


Figure 138. Envelope feeder

Table 73. Envelope feeder

Item no.	Part no.	Exchange no.	Quantity	Description
	C8053A	C8053-69001	1	Envelope feeder
1	RB2-4734-000CN		1	Tray, envelope feeder
2	RG5-2734-000CN		1	Weight assembly

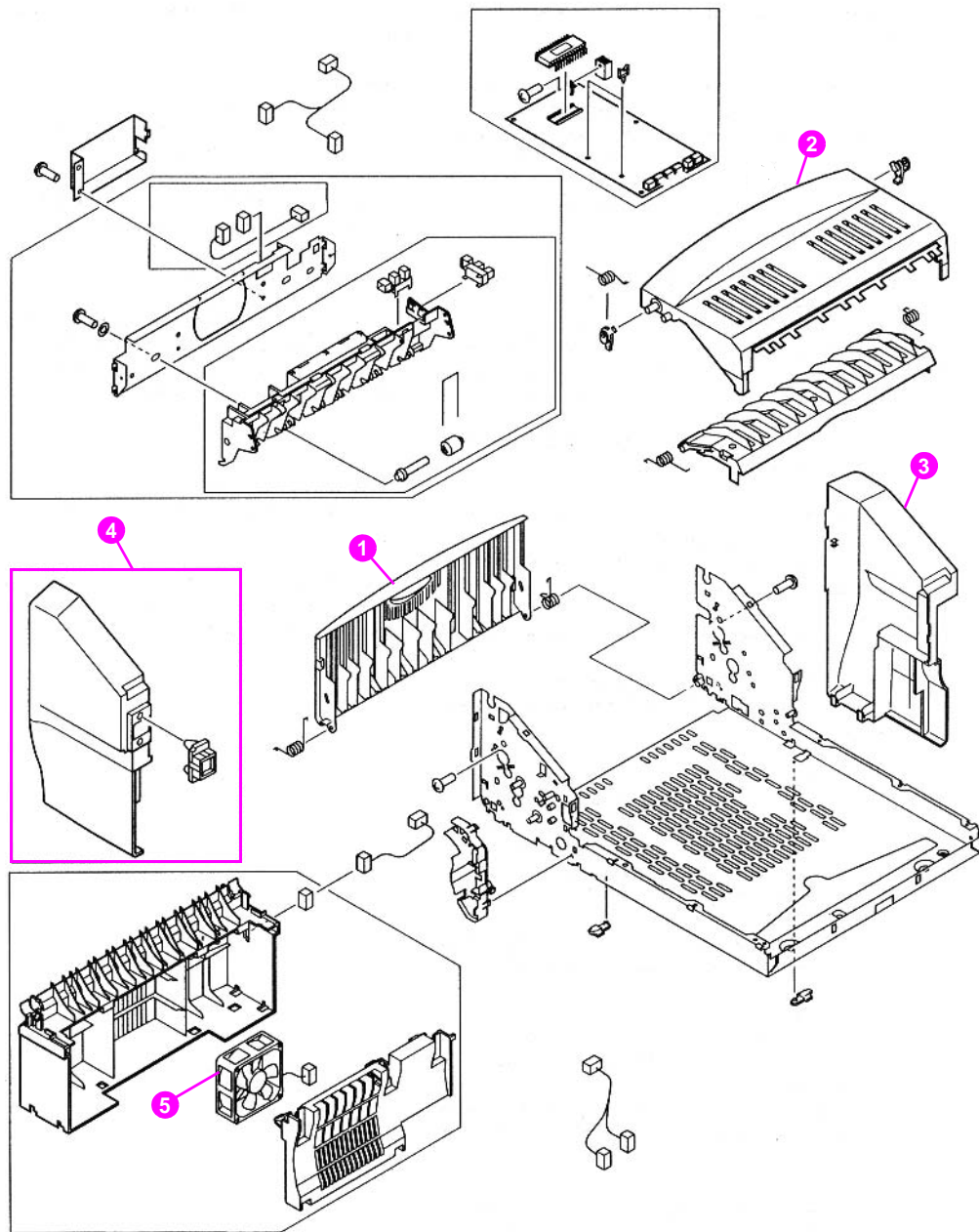


Figure 139. Internal components of duplexer

Table 74. Internal components of duplexer

Item no.	Part no.	Exchange no.	Quantity	Description
	C8054A	C8054-69001	1	Duplexer
1	RB1-9045-000CN		1	Panel, rear
2	RB2-4766-000CN		1	Cover, top
3	RB2-4768-000CN		1	Cover, right
4	RF5-3092-000CN		1	Cover, left
5	RH7-1443-000CN		1	Fan

Alphabetical parts list

Table 75. Alphabetical parts list

Description	Part number	Table number and page
500-sheet paper feeder and tray	C8055A	Table 52 on page 271
AC, power receptacle (110 V) AC, power receptacle (220 V)	RG5-5111-000CN RG5-5280-000CN	Table 58 on page 281
Antenna assembly	RG5-5273-000CN	Table 60 on page 285
Antenna cable	RG5-5471-000CN	Table 60 on page 285
Arm, output kicker, left	RB2-4948-000CN	Table 68 on page 295
Arm, output kicker, right	RB2-4949-000CN	Table 68 on page 295
Arm, tray 1 paper sensing	RB1-8787-050CN	Table 66 on page 293
Arm, tray 1 retaining	RB2-2387-000CN	Table 66 on page 293
Arm, tray sensing	RB1-8879-000CN	Table 65 on page 291 Table 71 on page 301
Bushing, separation roller	RB1-8946-000CN	Table 72 on page 302
Cable and power receptacle 110 V 220 V	RG5-5111-000CN RG5-5280-000CN	Table 54 on page 273
Cable holder, formatter	RB2-4992-000CN	Table 59 on page 283
Cable, antenna	RG5-5471-000CN	Table 54 on page 273 Table 60 on page 285
Cable, assembly, formatter	RG5-5351-000CN	Table 54 on page 273 Table 58 on page 281
Cable, duplexer	RG5-5358-000CN	Table 54 on page 273 Table 60 on page 285
Cable, envelope feeder connect	RG5-5344-000CN	Table 54 on page 273 Table 58 on page 281
Cable, feed/registration sensors	RG5-5357-000CN	Table 54 on page 273 Table 59 on page 283
Cable, laser	RG5-5350-000CN	Table 54 on page 273 Table 59 on page 283
Cable, laser scanner	RG5-5348-000CN	Table 54 on page 273
Cable, main motor	RG5-5346-000CN	Table 54 on page 273 Table 58 on page 281
Cable, memory	RG5-5470-000CN	Table 54 on page 273 Table 59 on page 283
Cable, output bin sensor	RG5-5349-000CN	Table 54 on page 273
Cable, paper feed/tray 1 pickup solenoid	RG5-5343-000CN	Table 54 on page 273 Table 58 on page 281
Cable, paper feeder	RG5-3822-000CN	Table 54 on page 273 Table 70 on page 299
Cable, paper feeder sensor	RG5-3711-000CN	Table 54 on page 273 Table 61 on page 287

Table 75. Alphabetical parts list (continued)

Description	Part number	Table number and page
Cable, paper feeder w/ connector	RG5-3712-000CN	Table 54 on page 273 Table 61 on page 287
Cable, scanner	RG5-5348-000CN	Table 54 on page 273 Table 59 on page 283
Cable, top cover switch	RG5-5345-000CN	Table 54 on page 273 Table 58 on page 281
Cable, tray 1 sensor	RG5-5341-000CN	Table 54 on page 273 Table 58 on page 281
Clip, fan	RB2-4986-000CN	Table 58 on page 281
Clip, pickup spring	RB1-2190-000CN	Table 65 on page 291 Table 71 on page 301
Clip, right side panel	RB1-8860-000CN	Table 56 on page 277
Control panel, assembly	RG5-5372-040CN	Table 59 on page 283
Coupler, pickup	RB1-8877-000CN	Table 71 on page 301
Coupler, separation roller	RB1-8945-000CN	Table 72 on page 302
Cover assembly, left	RG5-5098-000CN	Table 56 on page 277
Cover assembly, right front	RG5-2664-020CN	Table 56 on page 277
Cover, envelope feeder	RB2-5037-000CN	Table 66 on page 293
Cover, grip, left	RB1-8924-000CN	Table 70 on page 299
Cover, grip, right	RB1-9385-000CN	Table 70 on page 299
Cover, left	RF5-3092-000CN	Table 74 on page 305
Cover, right	RB2-4768-000CN	Table 74 on page 305
Cover, top	RB2-4766-000CN	Table 74 on page 305
Cover, tray	RB2-4836-000CN	Table 70 on page 299
Cover, tray 1 sensor arm	RB2-5040-000CN	Table 66 on page 293
Cover, tray 2	RB2-4827-000CN	Table 56 on page 277
Delivery assembly	RG5-5094-000CN	Table 58 on page 281 Table 68 on page 295
Delivery drive assembly	RG5-5095-000CN	Table 55 on page 276 Table 63 on page 289
Delivery sensor arm assembly	RG5-5093-000CN	Table 68 on page 295
Duplexer	C8054A	Table 52 on page 271 Table 74 on page 305
EIO cover	5021-0349	Table 55 on page 276
EIO hard disk	J6054A	Table 52 on page 271
Engine controller board (110 V) Engine controller board (220 V)	RG5-5361-000CN RG5-5362-000CN	Table 55 on page 276 Table 58 on page 281 Table 62 on page 288
Engine controller board (110 V) Engine controller board (220 V)	C8049-69003 C8049-69004	Table 59 on page 283 Table 60 on page 285

Table 75. Alphabetical parts list (continued)

Description	Part number	Table number and page
Enhanced I/O Cards Token Ring networks Fast Ethernet (10/100Base-TX single RJ-45 port) HP JetDirect Connectivity card (EIO) for USB, Serial, LocalTalk	J4167A J4169A J4135A	Table 52 on page 271
Envelope feeder	C8053A	Table 52 on page 271 Table 73 on page 303
Fan	RH7-1443-000CN	Table 74 on page 305
Fan, main cooling	RH7-1442-000CN	Table 59 on page 283
Feed, roller	RF5-3114-000CN	Table 71 on page 301
FIR receiver	C4103A	Table 52 on page 271
Firmware DIMM kit	C4168-67901	Table 55 on page 276
Flag, sensor	RB2-5034-000CN	Table 67 on page 294
Flash DIMM 2 MB 4 MB	C4286A C4287A	Table 52 on page 271
Font DIMM (8 MB Asian MROM) Traditional Chinese Simplified Chinese Korean	C4292A C4293A D4838A	Table 52 on page 271
Formatter	C4169-67901	Table 55 on page 276
Front inner cover assembly	RG5-5274-000CN	Table 58 on page 281
Fuse, 110 V, Engine Fuse, 220 V, Engine	VD7-0256-001CN VD7-0643-151CN	Table 62 on page 288
Fuse, 220 V, Engine Board Fuse, 110 V, Engine Board	RH3-8006-000CN WD1-0268-000CN	Table 62 on page 288
Fuser (110 V) Fuser (220 V)	RG5-5063-000CN RG5-5064-000CN	Table 55 on page 276 Table 69 on page 296
Fuser film assembly (110 V) Fuser film assembly (220 V)	RG5-5068-000CN RG5-5069-000CN	Table 69 on page 296
Fusing assembly (110 V) Fusing assembly (220 V)	C8049-69001 C8049-69002	Table 58 on page 281
Gear cover	RB2-5019-000CN	Table 66 on page 293
Guide, bottom cable	RB1-8704-030CN	Table 58 on page 281
Guide, paper	RB1-8914-000CN	Table 70 on page 299
HP LaserJet paper	HPJ1124	Table 52 on page 271
HP multi-purpose paper	HPM1120	Table 52 on page 271
Insulation, engine controller board	RB2-4975-000CN	Table 60 on page 285
Joint	RB1-8877-000CN	Table 65 on page 291
Laser cable	RG5-5350-000CN	Table 59 on page 283

Table 75. Alphabetical parts list (continued)

Description	Part number	Table number and page
Laser scanner assembly	RG5-5100-000CN	Table 55 on page 276 Table 59 on page 283
Laser shutter arm	RB1-8700-000CN	Table 59 on page 283
Latch, rear tray	RB1-8846-000CN	Table 57 on page 279
Left arm lifter	RB1-8961-000CN	Table 72 on page 302
Left frame assembly, optional 500-sheet feeder	RG5-5292-000CN	Table 70 on page 299
Left frame assembly, tray 2	RG5-2669-000CN	Table 61 on page 287
Lever	RB2-2412-000CN	Table 70 on page 299
Lever, release	RB2-3497-000CN	Table 70 on page 299
Lower frame assembly	RG5-5271-000CN	Table 61 on page 287 Table 70 on page 299
Lower transfer roller guide	RB2-5043-000CN	Table 60 on page 285
Macintosh computer serial cable	92215S	Table 52 on page 271
Macintosh network cable kit	92215N	Table 52 on page 271
Main motor assembly	RH7-1440-000CN	Table 58 on page 281
Maintenance kit 110 V 220 V	C8057A C8058A	Table 52 on page 271
Cartridge memory antenna assembly	RG5-5276-000CN	Table 60 on page 285
Cartridge memory antenna bracket	RB2-5008-000CN	Table 60 on page 285
Mount, thermistor	RB2-4996-000CN	Table 60 on page 285
Mounting assembly separation roller	RF5-2489-000CN	Table 72 on page 302
MP idler assembly	RG5-3723-000CN	Table 60 on page 285
Pad, separation	RF5-3086-000CN	Table 66 on page 293
Panel, formatter cover	RB1-8858-000CN	Table 56 on page 277
Panel, rear	RB1-9045-000CN	Table 74 on page 305
Panel, roller access	RB1-8947-000CN	Table 72 on page 302
Panel, toner cartridge access	RB1-8841-000CN	Table 57 on page 279
Paper delivery	RG5-5094-000CN	Table 55 on page 276
Paper feed	RG5-5086-000CN	Table 55 on page 276
Paper feed guide assembly	RG5-5083-000CN	Table 60 on page 285 Table 67 on page 294
Paper feed guide	RG5-5086-000CN	Table 55 on page 276
Paper feeder cable	RG5-3712-000CN	Table 70 on page 299
Paper feeder cable	RG5-3822-000CN	Table 70 on page 299
Paper feeder PCA, optional 500-sheet feeder	RG5-5539-000CN	Table 70 on page 299

Table 75. Alphabetical parts list (continued)

Description	Part number	Table number and page
Paper pickup guide assembly, optional 500-sheet feeder	RG5-5293-000CN	Table 71 on page 301
Paper pickup guide assembly, tray 2	RG5-5277-000CN	Table 65 on page 291
Paper sensor cable	RG5-3711-000CN	Table 70 on page 299
Paper-size detection PCB assembly, tray 2	RG5-2673-004CN	Table 61 on page 287
Parallel cables 2-meter IEEE-1284 cable 3-meter IEEE-1284 cable	C2950A C2951A	Table 52 on page 271
PCB, memory controller	RG5-5468-000CN	Table 60 on page 285
Photo-sensor	WG8-5362-000CN	Table 61 on page 287 Table 63 on page 289 Table 67 on page 294 Table 70 on page 299 Table 74 on page 305
Pickup drive assembly	RG5-5298-000CN	Table 70 on page 299
Pickup roller	RB1-8957-000CN	Table 65 on page 291 Table 71 on page 301
Plate, continuity	RB2-5002-000CN	Table 60 on page 285
Plate, grounding	RB1-9397-000CN	Table 70 on page 299
Plate, registration ground	RB2-4969-000CN	Table 60 on page 285
Power switch activator	RB1-8851-000CN	Table 58 on page 281
Power switch button	RB1-8849-000CN	Table 56 on page 277
Printer drive assembly	RG5-5087-000CN	Table 58 on page 281 Table 64 on page 290
Registration	RG5-5085-000CN	Table 55 on page 276
Registration assembly	RG5-5085-000CN	Table 60 on page 285
Registration/feed sensor assembly	RG5-5275-000CN	Table 59 on page 283
Right arm lifter	RB1-8962-000CN	Table 72 on page 302
Right frame assembly, optional 500-sheet feeder	RG5-5291-000CN	Table 70 on page 299
Right frame assembly, tray 2	RG5-5278-000CN	Table 61 on page 287
Rod, toner drive, included in assembly	RB1-8756-000CN	Table 64 on page 290
Roller, feed	RF5-3114-000CN	Table 61 on page 287 Table 72 on page 302
Roller, pressure	RB2-4919-000CN	Table 69 on page 296
Screw, M3x6, washer head, engine controller board	XA9-1016-000CN	Table 53 on page 272 Table 60 on page 285
Screw, M4x10	FA9-2753-000CN	Table 70 on page 299

Table 75. Alphabetical parts list (continued)

Description	Part number	Table number and page
Screw, M4x10, self-tapping	XA9-0870-000CN	Table 53 on page 272 Table 61 on page 287
Screw, M4x10, self-tapping	XA9-0606-000CN	Table 53 on page 272
Screw, M4x10, self-tapping, feeder assembly	FA9-2753-000CN	Table 53 on page 272
Screw, M4x12, self-tapping, pan head	XB4-7401-207CN	Table 53 on page 272
Screw, M4x8.3, long, module	RB2-5013-000CN	Table 53 on page 272 Table 58 on page 281
Screw, stepped, M4, formatter	XA9-1143-000CN	Table 53 on page 272 Table 59 on page 283
Screw, tapping, pan head, M4x12	XB4-7401-207CN	Table 58 on page 281 Table 59 on page 283 Table 60 on page 285
Screw, tapping, truss head, M3x10	XB4-7301-006CN	Table 71 on page 301
Screw, TP, M3x8, main motor	XB6-7300-807CN	Table 53 on page 272 Table 58 on page 281
Screw, truss head w/washer, machine, grounding	FA9-1449-000CN	Table 53 on page 272 Table 58 on page 281 Table 60 on page 285
SDRAM DIMM 4 MB 8 MB 16 MB 32 MB 64 MB 128 MB	C4140A C4141A C4142A C4143A C3913A C9121A	Table 52 on page 271
Sensor, optical, included in assembly	WG8-5362-000CN	Table 63 on page 289 Table 67 on page 294
Shaft, roller	RB1-8867-000CN	Table 65 on page 291 Table 71 on page 301
Shutter	RB1-8699-000CN	Table 59 on page 283
Solenoid, tray 1 drive	RH7-5172-000CN	Table 66 on page 293
Spring, leaf	RB2-4837-000CN	Table 61 on page 287
Spring, cartridge memory assembly	RB2-5009-000CN	Table 60 on page 285
Spring, rear tray latch	RB1-8847-000CN	Table 57 on page 279
Spring, separation roller tension	RS5-2622-020CN	Table 72 on page 302
Spring, shutter	RB1-8702-000CN	Table 59 on page 283
Spring, tension	RS5-2632-000CN	Table 65 on page 291 Table 71 on page 301
Spring, tension	RS5-2658-000CN	Table 70 on page 299
Spring, toner cartridge ground	RB2-4997-000CN	Table 60 on page 285

Table 75. Alphabetical parts list (continued)

Description	Part number	Table number and page
Spring, torsion	RB2-5035-000CN	Table 67 on page 294
Spring, tray	RB2-4122-000CN	Table 58 on page 281
Standard 500-sheet tray (without the feeder)	C8056A	Table 52 on page 271
Support, top cover, left	RB2-5003-000CN	Table 59 on page 283
Switch, top cover interlock access	WC4-5139-000CN	Table 58 on page 281
Thermistor, environmental	RH7-7116-000CN	Table 60 on page 285
Toner cartridge (10,000 pages)	C8061X	Table 52 on page 271
Toner cartridge (6,000 pages)	C8061A	Table 52 on page 271
Top cover assembly	RG5-2663-080CN	Table 55 on page 276 Table 57 on page 279
Torque limiter	RB1-8974-000CN	Table 72 on page 302
Transfer roller assembly	RG5-5295-000CN	Table 60 on page 285
Tray 1 assembly	RG5-2656-080CN	Table 55 on page 276 Table 58 on page 281
Tray 1 door assembly	RG5-2667-070CN	Table 56 on page 277
Tray 1 pickup assembly	RG5-5084-000CN	Table 55 on page 276 Table 58 on page 281 Table 66 on page 293
Tray 1 pickup roller assembly	RG5-3718-000CN	Table 66 on page 293
Tray assembly, rear	RG5-5097-000CN	Table 56 on page 277
Tray, envelope feeder	RB2-4734-000CN	Table 73 on page 303
Upper frame assembly, optional 500-sheet feeder	RG5-2689-000CN	Table 70 on page 299
Upper frame assembly, tray 2	RG5-5072-000CN	Table 61 on page 287
Weight assembly	RG5-2734-000CN	Table 73 on page 303

Numerical parts list

Table 76. Numerical parts list

Part number	Description	Table number and page
5021-0349	EIO cover	Table 55 on page 276
92215N	Macintosh network cable kit	Table 52 on page 271
92215S	Macintosh computer serial cable	Table 52 on page 271
C2950A C2951A	Parallel cables 2-meter IEEE-1284 cable 3-meter IEEE-1284 cable	Table 52 on page 271
J6054A	EIO hard disk	Table 52 on page 271
C4103A	FIR receiver	Table 52 on page 271
C4140A C4141A C4142A C4143A C3913A C9121A	SDRAM DIMM 4 MB 8 MB 16 MB 32 MB 64 MB 128 MB	Table 52 on page 271
C4168-67901	Firmware DIMM kit	Table 55 on page 276
C4169-67901	Formatter	Table 55 on page 276
C4286A C4287A	Flash DIMM 2 MB 4 MB	Table 52 on page 271
C4292A C4293A D4838A	Font DIMM (8 MB Asian MROM) Traditional Chinese Simplified Chinese Korean	Table 52 on page 271
C8049-69003 C8049-69004	Engine controller board (110 V) Engine controller board (220 V)	Table 58 on page 281 Table 59 on page 283 Table 60 on page 285
C8053A	Envelope feeder	Table 52 on page 271 Table 73 on page 303
C8054A	Duplexer	Table 52 on page 271 Table 74 on page 305
C8055A	500-sheet paper feeder and tray	Table 52 on page 271
C8056A	Standard 500-sheet tray (without the feeder)	Table 52 on page 271
C8057A C8058A	Maintenance kit 110 V 220 V	Table 52 on page 271
C8061A	Toner cartridge (6,000 pages)	Table 52 on page 271
C8061X	Toner cartridge (10,000 pages)	Table 52 on page 271
FA9-1449-000CN	Screw, truss head w/washer, machine, grounding	Table 53 on page 272 Table 58 on page 281 Table 60 on page 285

Table 76. Numerical parts list (continued)

Part number	Description	Table number and page
FA9-2753-000CN	Screw, M4x10, self-tapping, feeder assembly	Table 53 on page 272 Table 70 on page 299
HPJ1124	HP LaserJet paper	Table 52 on page 271
HPM1120	HP multi-purpose paper	Table 52 on page 271
J4167A J4169A J4135A	Enhanced I/O Cards Token Ring networks Fast Ethernet (10/100Base-TX single RJ-45 port) HP JetDirect Connectivity card (EIO) for USB, Serial, LocalTalk	Table 52 on page 271
RB1-2190-000CN	Clip, pickup spring	Table 65 on page 291 Table 71 on page 301
RB1-8699-000CN	Shutter	Table 59 on page 283
RB1-8700-000CN	Laser shutter arm	Table 59 on page 283
RB1-8702-000CN	Spring, shutter	Table 59 on page 283
RB1-8704-030CN	Guide, bottom cable	Table 58 on page 281
RB1-8756-000CN	Rod, toner drive, included in assembly	Table 64 on page 290
RB1-8787-050CN	Arm, tray 1 paper sensing	Table 66 on page 293
RB1-8841-000CN	Panel, toner cartridge access	Table 57 on page 279
RB1-8846-000CN	Latch, rear tray	Table 57 on page 279
RB1-8847-000CN	Spring, rear tray latch	Table 57 on page 279
RB1-8849-000CN	Power switch button	Table 56 on page 277
RB1-8851-000CN	Power switch activator	Table 58 on page 281
RB1-8858-000CN	Panel, formatter cover	Table 56 on page 277
RB1-8860-000CN	Clip, right side panel	Table 56 on page 277
RB1-8867-000CN	Shaft, roller	Table 65 on page 291 Table 71 on page 301
RB1-8877-000CN	Coupler, pickup/Joint	Table 65 on page 291 Table 71 on page 301
RB1-8879-000CN	Arm, tray sensing	Table 65 on page 291 Table 71 on page 301
RB1-8914-000CN	Guide, paper	Table 70 on page 299
RB1-8924-000CN	Cover, grip, left	Table 70 on page 299
RB1-8945-000CN	Coupler, separation roller	Table 72 on page 302
RB1-8946-000CN	Bushing, separation roller	Table 72 on page 302
RB1-8947-000CN	Panel, roller access	Table 72 on page 302
RB1-8957-000CN	Pickup roller	Table 65 on page 291 Table 71 on page 301
RB1-8961-000CN	Left arm lifter	Table 72 on page 302
RB1-8962-000CN	Right arm lifter	Table 72 on page 302

Table 76. Numerical parts list (continued)

Part number	Description	Table number and page
RB1-8974-000CN	Torque limiter	Table 72 on page 302
RB1-9045-000CN	Panel, rear	Table 74 on page 305
RB1-9385-000CN	Cover, grip, right	Table 70 on page 299
RB1-9397-000CN	Plate, grounding	Table 70 on page 299
RB2-2387-000CN	Arm, tray 1 retaining	Table 66 on page 293
RB2-2412-000CN	Lever	Table 70 on page 299
RB2-3497-000CN	Lever, release	Table 70 on page 299
RB2-4122-000CN	Spring, tray	Table 58 on page 281
RB2-4734-000CN	Tray, envelope feeder	Table 73 on page 303
RB2-4766-000CN	Cover, top	Table 74 on page 305
RB2-4768-000CN	Cover, right	Table 74 on page 305
RB2-4827-000CN	Cover, tray 2	Table 56 on page 277
RB2-4836-000CN	Cover, tray	Table 70 on page 299
RB2-4837-000CN	Spring, leaf	Table 61 on page 287
RB2-4919-000CN	Roller, pressure	Table 69 on page 296
RB2-4948-000CN	Arm, output kicker, left	Table 68 on page 295
RB2-4949-000CN	Arm, output kicker, right	Table 68 on page 295
RB2-4969-000CN	Plate, registration ground	Table 60 on page 285
RB2-4975-000CN	Insulation, engine controller board	Table 60 on page 285
RB2-4986-000CN	Clip, fan	Table 58 on page 281
RB2-4992-000CN	Cable holder, formatter	Table 59 on page 283
RB2-4996-000CN	Mount, thermistor	Table 60 on page 285
RB2-4997-000CN	Spring, toner cartridge ground	Table 60 on page 285
RB2-5002-000CN	Plate, continuity	Table 60 on page 285
RB2-5003-000CN	Support, top cover, left	Table 59 on page 283
RB2-5008-000CN	Cartridge memory antenna bracket	Table 60 on page 285
RB2-5009-000CN	Spring, cartridge memory assembly	Table 60 on page 285
RB2-5013-000CN	Screw, M4x8.3, long, module	Table 53 on page 272 Table 58 on page 281
RB2-5019-000CN	Gear cover	Table 66 on page 293
RB2-5034-000CN	Flag, sensor	Table 67 on page 294
RB2-5035-000CN	Spring, torsion	Table 67 on page 294
RB2-5037-000CN	Cover, envelope feeder	Table 66 on page 293
RB2-5040-000CN	Cover, tray 1 sensor arm	Table 66 on page 293
RB2-5043-000CN	Lower transfer roller guide	Table 60 on page 285

Table 76. Numerical parts list (continued)

Part number	Description	Table number and page
RF5-2489-000CN	Mounting assembly separation roller	Table 72 on page 302
RF5-3086-000CN	Pad, separation	Table 66 on page 293
RF5-3092-000CN	Cover, left	Table 74 on page 305
RF5-3114-000CN	Roller, feed	Table 61 on page 287 Table 71 on page 301 Table 72 on page 302
RG5-2656-080CN	Tray 1 assembly	Table 55 on page 276 Table 58 on page 281
RG5-2663-080CN	Top cover assembly	Table 55 on page 276 Table 57 on page 279
RG5-2664-020CN	Cover assembly, right front	Table 56 on page 277
RG5-2667-070CN	Tray 1 door assembly	Table 56 on page 277
RG5-2669-000CN	Left frame assembly, tray 2	Table 61 on page 287
RG5-2673-004CN	Paper-size detection PCB assembly, tray 2	Table 61 on page 287
RG5-2689-000CN	Upper frame assembly, optional 500-sheet feeder	Table 70 on page 299
RG5-2734-000CN	Weight assembly	Table 73 on page 303
RG5-3711-000CN	Cable, paper feeder sensor	Table 54 on page 273 Table 61 on page 287 Table 70 on page 299
RG5-3712-000CN	Cable, paper feeder w/ connector	Table 54 on page 273 Table 61 on page 287 Table 70 on page 299
RG5-3718-000CN	Tray 1 pickup roller assembly	Table 66 on page 293
RG5-3723-000CN	MP idler assembly	Table 60 on page 285
RG5-3822-000CN	Cable, paper feeder	Table 54 on page 273 Table 70 on page 299
RG5-5063-000CN RG5-5064-000CN	Fuser (110 V) Fuser (220 V)	Table 55 on page 276 Table 69 on page 296
RG5-5068-000CN RG5-5069-000CN	Fuser film assembly (110 V) Fuser film assembly (220 V)	Table 69 on page 296
RG5-5072-000CN	Upper frame assembly, tray 2	Table 61 on page 287
RG5-5084-000CN	Tray 1 pickup assembly	Table 55 on page 276 Table 58 on page 281 Table 66 on page 293
RG5-5085-000CN	Registration assembly	Table 55 on page 276 Table 60 on page 285
RG5-5086-000CN	Paper feed assembly	Table 55 on page 276 Table 60 on page 285 Table 67 on page 294
RG5-5087-000CN	Printer drive assembly	Table 58 on page 281 Table 64 on page 290

Table 76. Numerical parts list (continued)

Part number	Description	Table number and page
RG5-5093-000CN	Delivery sensor arm assembly	Table 68 on page 295
RG5-5094-000CN	Delivery assembly, paper	Table 55 on page 276 Table 58 on page 281 Table 68 on page 295
RG5-5095-000CN	Delivery drive assembly	Table 55 on page 276 Table 63 on page 289
RG5-5097-000CN	Tray assembly, rear	Table 56 on page 277
RG5-5098-000CN	Cover assembly, left	Table 56 on page 277
RG5-5100-000CN	Laser scanner assembly	Table 55 on page 276 Table 59 on page 283
RG5-5111-000CN RG5-5280-000CN	AC, power receptacle (110 V) AC, power receptacle (220 V)	Table 54 on page 273 Table 58 on page 281
RG5-5271-000CN	Lower frame assembly	Table 61 on page 287 Table 70 on page 299
RG5-5273-000CN	Antenna assembly	Table 60 on page 285
RG5-5274-000CN	Front inner cover assembly	Table 58 on page 281
RG5-5275-000CN	Registration/feed sensor assembly	Table 59 on page 283
RG5-5276-000CN	Cartridge memory antenna assembly	Table 60 on page 285
RG5-5277-000CN	Paper pickup guide assembly, tray 2	Table 65 on page 291
RG5-5278-000CN	Right frame assembly, tray 2	Table 61 on page 287
RG5-5291-000CN	Right frame assembly, optional 500-sheet feeder	Table 70 on page 299
RG5-5292-000CN	Left frame assembly, optional 500-sheet feeder	Table 70 on page 299
RG5-5293-000CN	Paper pickup guide assembly, optional 500-sheet feeder	Table 71 on page 301
RG5-5295-000CN	Transfer roller assembly	Table 60 on page 285
RG5-5341-000CN	Cable, tray 1 sensor	Table 54 on page 273 Table 58 on page 281
RG5-5344-000CN	Cable, envelope feeder connect	Table 54 on page 273 Table 58 on page 281
RG5-5345-000CN	Cable, top cover switch	Table 54 on page 273 Table 58 on page 281
RG5-5346-000CN	Cable, main motor	Table 54 on page 273 Table 58 on page 281
RG5-5348-000CN	Cable, scanner	Table 54 on page 273 Table 59 on page 283
RG5-5349-000CN	Cable, output bin sensor	Table 54 on page 273 Table 59 on page 283
RG5-5350-000CN	Cable, laser	Table 54 on page 273 Table 59 on page 283

Table 76. Numerical parts list (continued)

Part number	Description	Table number and page
RG5-5351-000CN	Cable, assembly, formatter	Table 54 on page 273 Table 58 on page 281
RG5-5357-000CN	Cable, feed/registration sensors	Table 54 on page 273 Table 59 on page 283
RG5-5358-000CN	Cable, duplexer	Table 54 on page 273 Table 60 on page 285
RG5-5361-000CN RG5-5362-000CN	Engine controller board (110 V) Engine controller board (220 V)	Table 55 on page 276 Table 58 on page 281 Table 62 on page 288
RG5-5372-040CN	Control panel, assembly	Table 59 on page 283
RG5-5468-000CN	PCB, memory controller	Table 60 on page 285
RG5-5470-000CN	Cable, memory	Table 54 on page 273 Table 59 on page 283
RG5-5471-000CN	Cable, antenna	Table 54 on page 273 Table 60 on page 285
RG5-5539-000CN	Paper feeder PCA, optional 500-sheet feeder	Table 70 on page 299
RH3-8006-000CN WD1-0268-000CN	Fuse, 220 V, Engine Board Fuse, 110 V, Engine Board	Table 62 on page 288
RH7-1440-000CN	Main motor assembly	Table 58 on page 281
RH7-1442-000CN	Fan, main cooling	Table 59 on page 283
RH7-1443-000CN	Fan	Table 74 on page 305
RH7-5172-000CN	Solenoid, tray 1 drive	Table 66 on page 293
RH7-7116-000CN	Thermistor, environmental	Table 60 on page 285
RS5-2622-020CN	Spring, separation roller tension	Table 72 on page 302
RS5-2632-000CN	Spring, tension	Table 65 on page 291 Table 71 on page 301
RS5-2658-000CN	Spring, tension	Table 70 on page 299
VD7-0256-001CN VD7-0643-151CN	Fuse, 110 V, Engine Fuse, 220 V, Engine	Table 62 on page 288
WC4-5139-000CN	Switch, top cover interlock access	Table 58 on page 281
WG8-5362-000CN	Photo-sensor	Table 61 on page 287 Table 63 on page 289 Table 67 on page 294 Table 70 on page 299 Table 74 on page 305
XA9-0606-000CN	Screw, M4x10, self-tapping	Table 53 on page 272
XA9-0870-000CN	Screw, M4x10, self-tapping	Table 53 on page 272 Table 61 on page 287
XA9-1016-000CN	Screw w/washer, M3x6, engine controller	Table 53 on page 272 Table 60 on page 285
XA9-1143-000CN	Screw, stepped, M4, formatter	Table 53 on page 272 Table 59 on page 283

Table 76. Numerical parts list (continued)

Part number	Description	Table number and page
XB4-7401-207CN	Screw, M4x12, self-tapping, pan head	Table 53 on page 272
XB4-7401-207CN	Screw, tapping, pan head, M4x12	Table 58 on page 281 Table 59 on page 283 Table 60 on page 285
XB6-7300-807CN	Screw, TP, M3x8, main motor	Table 53 on page 272 Table 58 on page 281