

2 Parts and diagrams

 **NOTE:** In this chapter, part numbers are listed only for available replaceable parts.

- [Order parts by authorized service providers](#)
- [How to use the parts lists and diagrams](#)
- [Assembly locations](#)
- [Covers, panels, and doors](#)
- [Internal assemblies](#)
- [Scanner and document feeder](#)
- [Input devices](#)
- [Alphabetical parts list](#)
- [Numerical parts list](#)

Order parts by authorized service providers

Order replacement parts

Table 2-1 Order parts, accessories, and supplies

Order supplies and paper	www.hp.com/go/suresupply
Order genuine HP parts or accessories	www.hp.com/buy/parts
Order through service or support providers	Contact an HP-authorized service or support provider.

Related documentation and software

Table 2-2 Related documentation and software

Item	Description	Part number
HP LaserJet Pro 400 MFP M425 Series User Guide	Product user guide	CF286-90909 (English)
HP LaserJet Pro 400 MFP M425 Series Repair Manual	English repair manual (this manual)	CF286-90979
HP LaserJet Pro 400 MFP M425 Series Troubleshooting Manual	English troubleshooting manual	CF286-91012

Supplies part numbers

Table 2-3 Supplies part numbers

Part	Part number	Type/size
Toner cartridge	CF280A (standard)	Black toner cartridge
	CF280X (extended)	
Paper feeder	CF406A	500-sheet Tray 3
USB 2.0 cable	C6518A	(2-meter standard) A-to-B cable

Whole-unit replacement part numbers




NOTE: Whole-unit replacement products include the formatter PCA.


Table 2-4 Whole-unit replacement part numbers

Item	Description	Part number
HP LaserJet Pro 400 MFP M425dn	110v WUR NAR/TW	CF286-69001 (exchange)
	220v WUR EMEA	CF286-69002 (exchange)
	220v WUR CN/MY	CF286-67059 (replace)
	220v WUR AP/LAR	CF286-69003 (exchange)
	220v WUR CL/AR	CF286-69004 (exchange)
	110v WUR BR	CF286-69005 (exchange)
HP LaserJet Pro 400 MFP M425dw	110v WUR NAR/TW	CF288-69001 (exchange)
	220v WUR EMEA	CF288-69002 (exchange)
	220v WUR CN/MY	CF288-67059 (replace)
	220v WUR AP/LAR	CF288-69003 (exchange)
	220v WUR CL/AR	CF288-69004 (exchange)
	110v WUR BR	CF288-69005 (exchange)

How to use the parts lists and diagrams

The figures in this chapter show the major subassemblies in the product and their component parts. A parts list table follows each exploded view assembly diagram. Each table lists the item number, the associated part number, and the description of each part. If a part is not listed in the table, then it is not a field replacement unit (FRU).

 **CAUTION:** Be sure to order the correct part. When looking for part numbers for electrical components, pay careful attention to the voltage that is listed in the description column. Doing so will ensure that the part number selected is for the correct product model.

 **NOTE:** In this manual, the abbreviation “PCA” stands for “printed circuit-board assembly.” Components described as a PCA might consist of a single circuit board or a circuit board plus other parts, such as cables and sensors.

Assembly locations

Main unit

Figure 2-1 Assembly locations: main unit

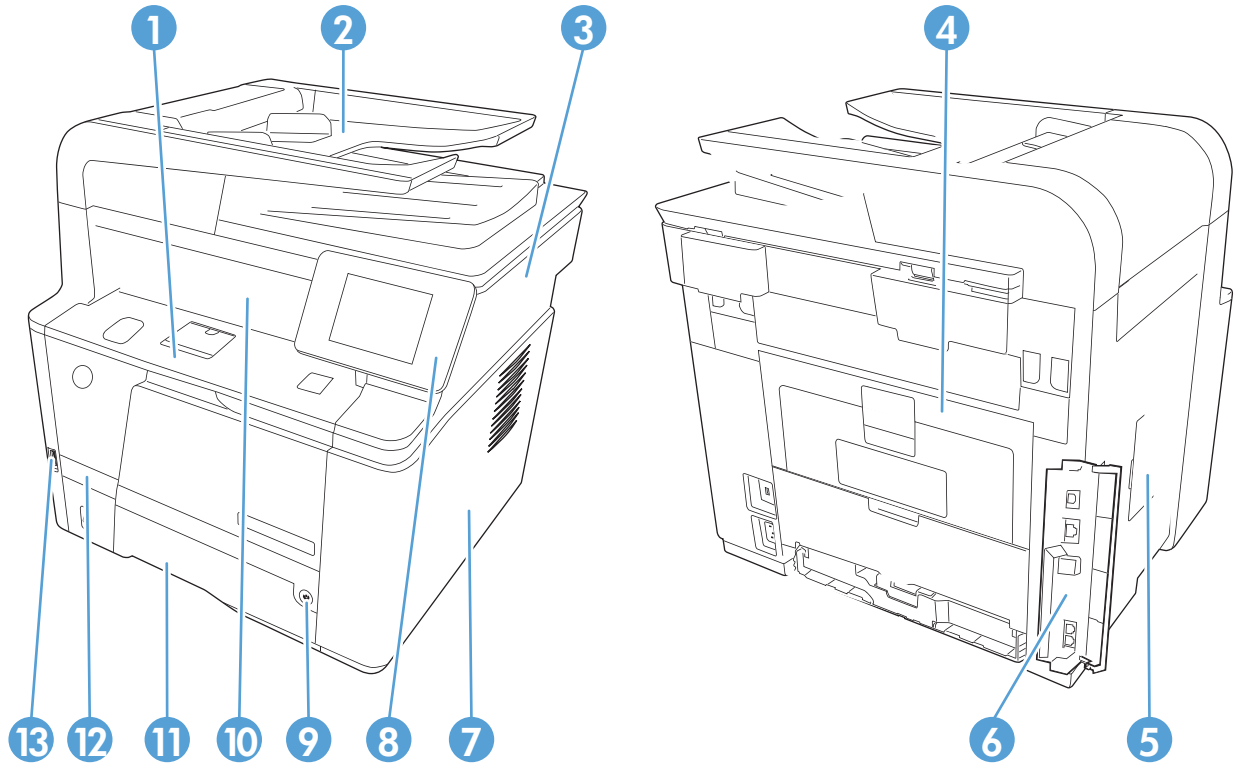


Table 2-5 Assembly locations: main unit

Item	Description	Item	Description
1	Cartridge door assembly (includes multipurpose tray — Tray 1)	8	Control panel
2	Document feeder	9	Power switch
3	Scanner assembly	10	Top cover
4	Rear cover assembly (includes rear output door, duplex cover, and duplexing paper feed assembly)	11	Tray 2 cassette
5	Left cover (includes DIMM door)	12	Front cover
6	Formatter PCA ports	13	Walkup USB port
7	Right cover		

Optional paper feeder

Figure 2-2 Assembly locations: optional paper feeder

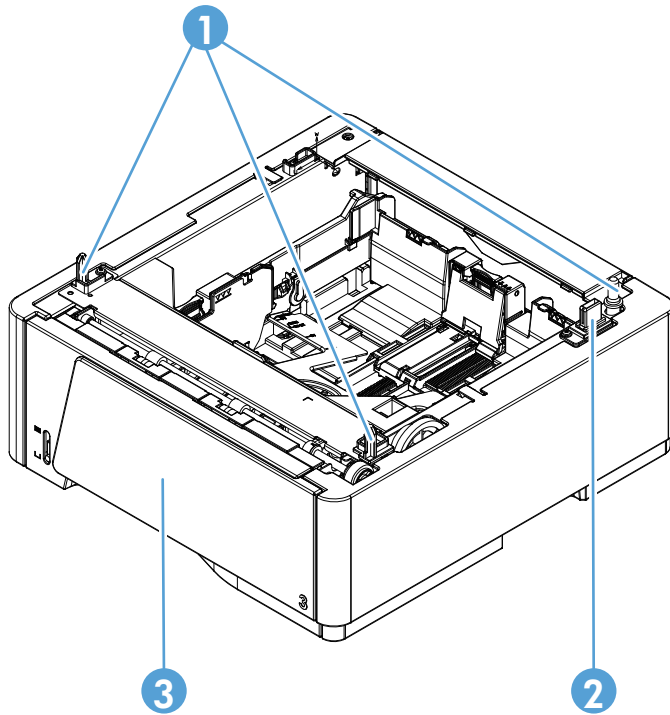


Table 2-6 Assembly locations: optional paper feeder

Item	Description	Item	Description
1	Positioning pins	3	Tray 3 cassette
2	Option interface connector		

Covers, panels, and doors

Figure 2-3 Covers, panels, and doors

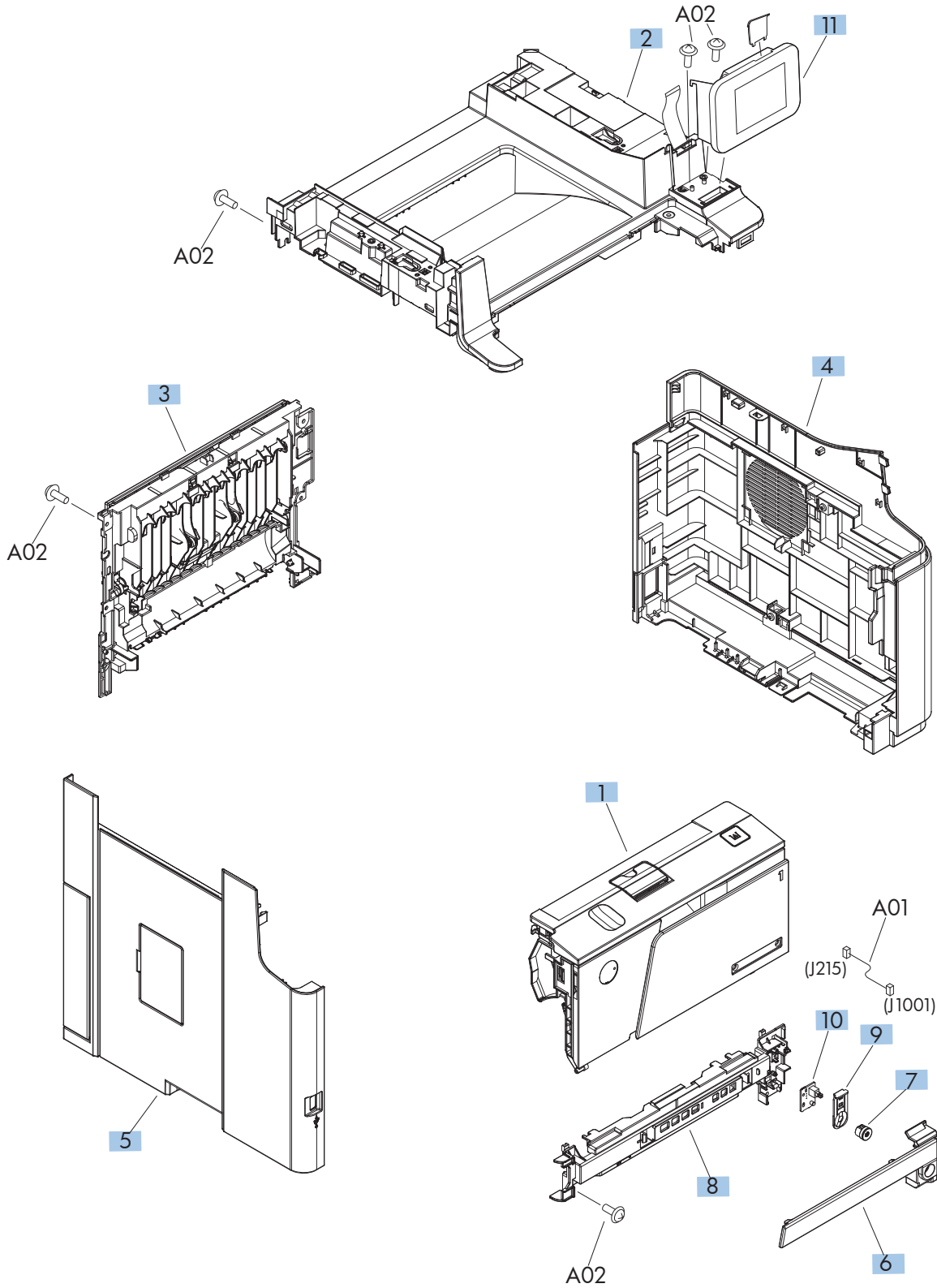


Table 2-7 Covers, panels, and doors

Ref	Description	Part number	Qty
1	Cartridge door assembly	RM1-9307-000CN	1
2	Cover, top	RM1-9303-000CN	1
3	Cover, rear	RM1-9161-000CN	1
4	Cover, right	RM1-9304-000CN	1
5	Cover, left	RM1-9305-000CN	1
6	Cover, outer, front	RC3-2533-000CN	1
7	Switch, power button assembly	RM1-9125-000CN	1
8	Cover, inner, front	RC3-2532-000CN	1
9	Lever, power supply button	RC3-2545-000CN	1
10	Power button PCA	RM1-9039-000CN	1
11	Control-panel assembly (HP LaserJet M425dn model)	CF286-60601	1
11	Control-panel assembly (HP LaserJet M425dw model)	CF288-60602	1

Internal assemblies

Figure 2-4 Internal components (1 of 5)

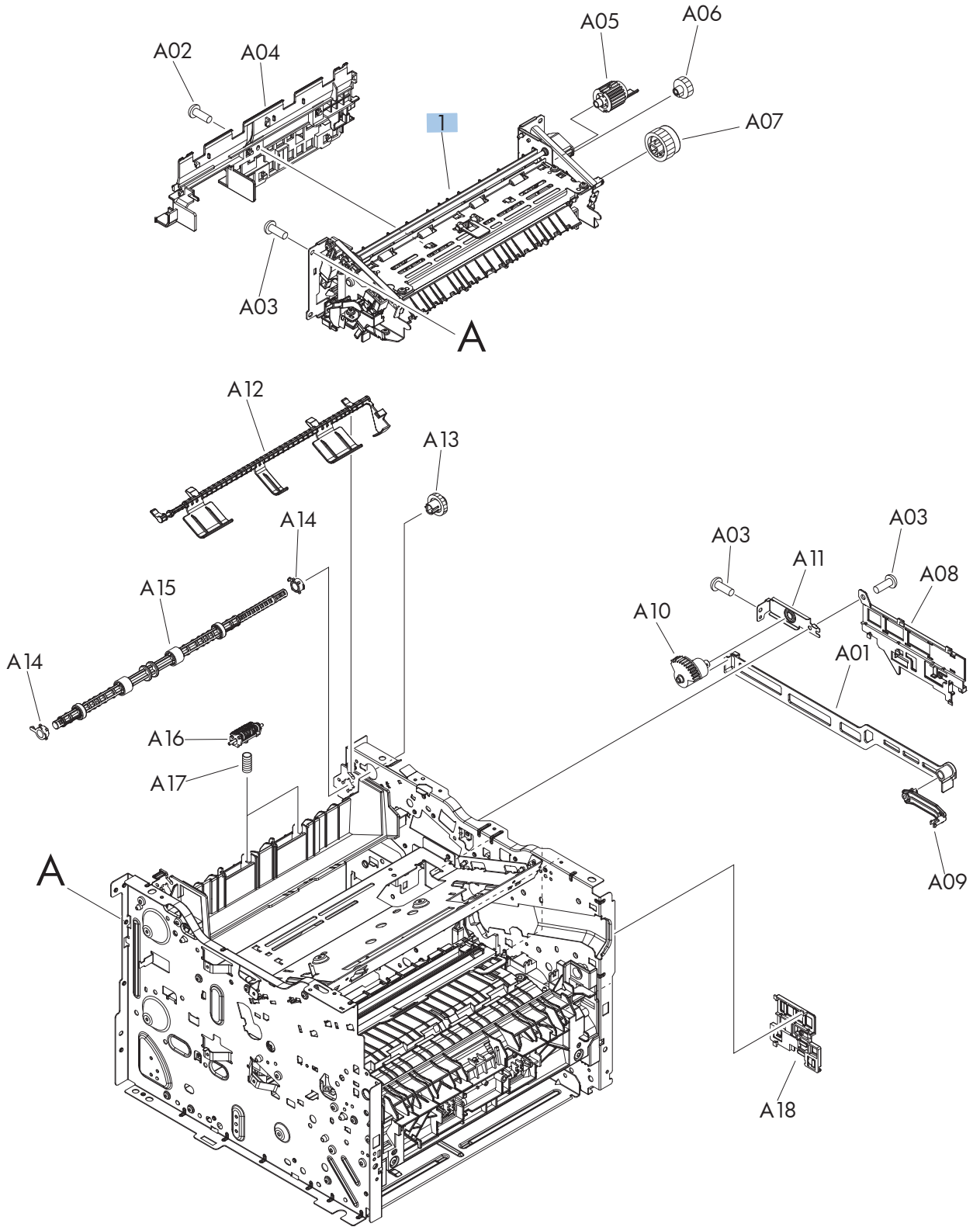


Table 2-8 Internal components (1 of 5)

Ref	Description	Part number	Qty
1	Fuser (110V)	RM1-8808-000CN	1
1	Fuser (220V)	RM1-8809-000CN	1

Figure 2-5 Internal components (2 of 5)

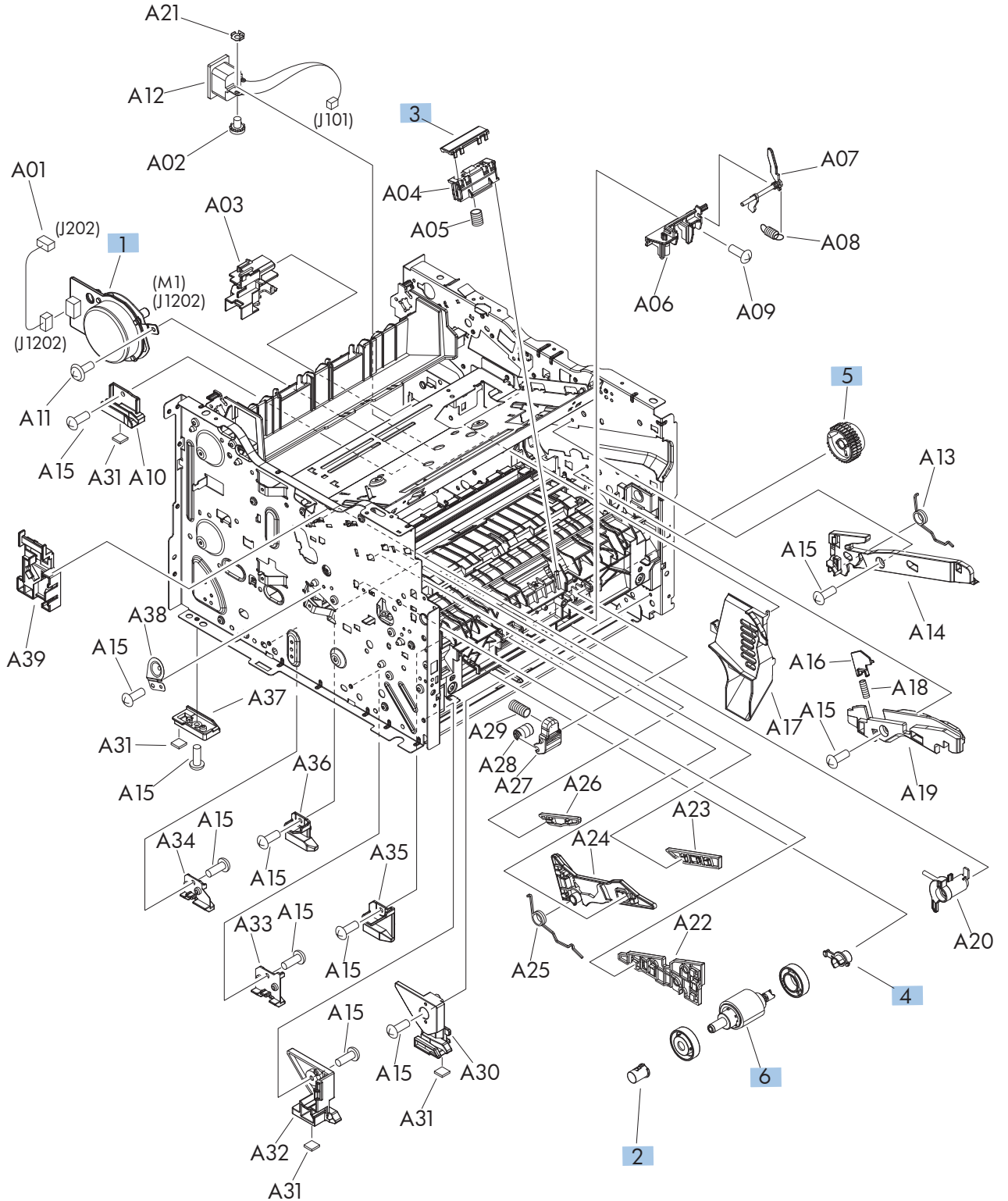


Table 2-9 Internal components (2 of 5)

Ref	Description	Part number	Qty
1	Main motor assembly	RM1-9042-000CN	1
2	Bushing	RC2-8263-000CN	1
3	Separation pad, multipurpose tray	RL1-2115-000CN	1
4	Bushing	RC2-6131-000CN	1
5	Paper pickup gear assembly	RM1-7360-000CN	1
6	Paper pickup roller assembly	RM1-9168-000CN	1

Figure 2-6 Internal components (3 of 5)

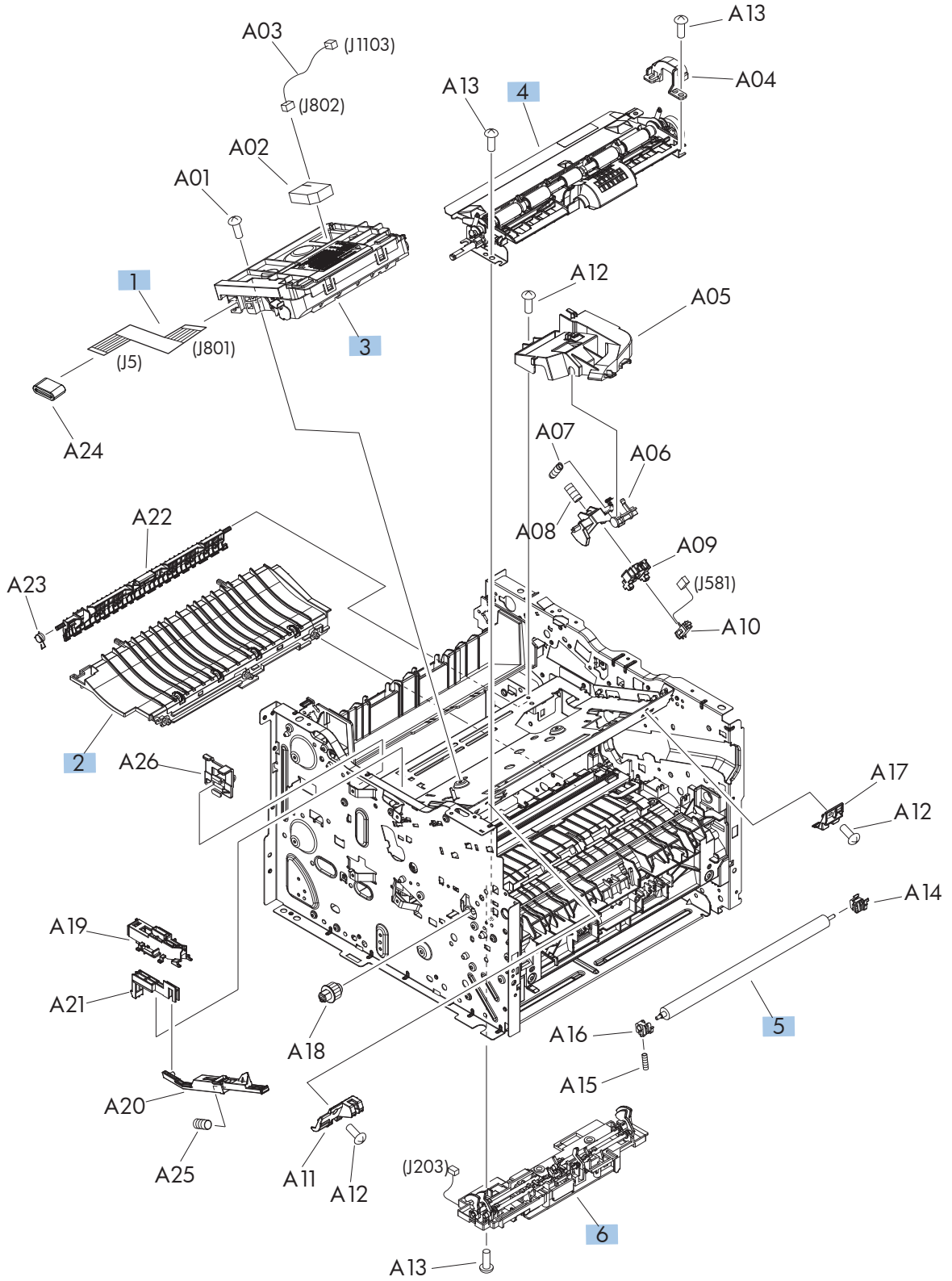


Table 2-10 Internal components (3 of 5)

Ref	Description	Part number	Qty
1	Cable, flexible, flat	RK2-4452-000CN	1
2	Paper feed guide assembly	RM1-9122-000CN	1
3	Laser scanner assembly	RM1-9135-000CN	1
4	Registration roller assembly	RM1-8806-000CN	1
5	Transfer roller assembly	RM1-9175-000CN	1
6	Sensor assembly	RM1-8807-000CN	1

Figure 2-7 Internal components (4 of 5)

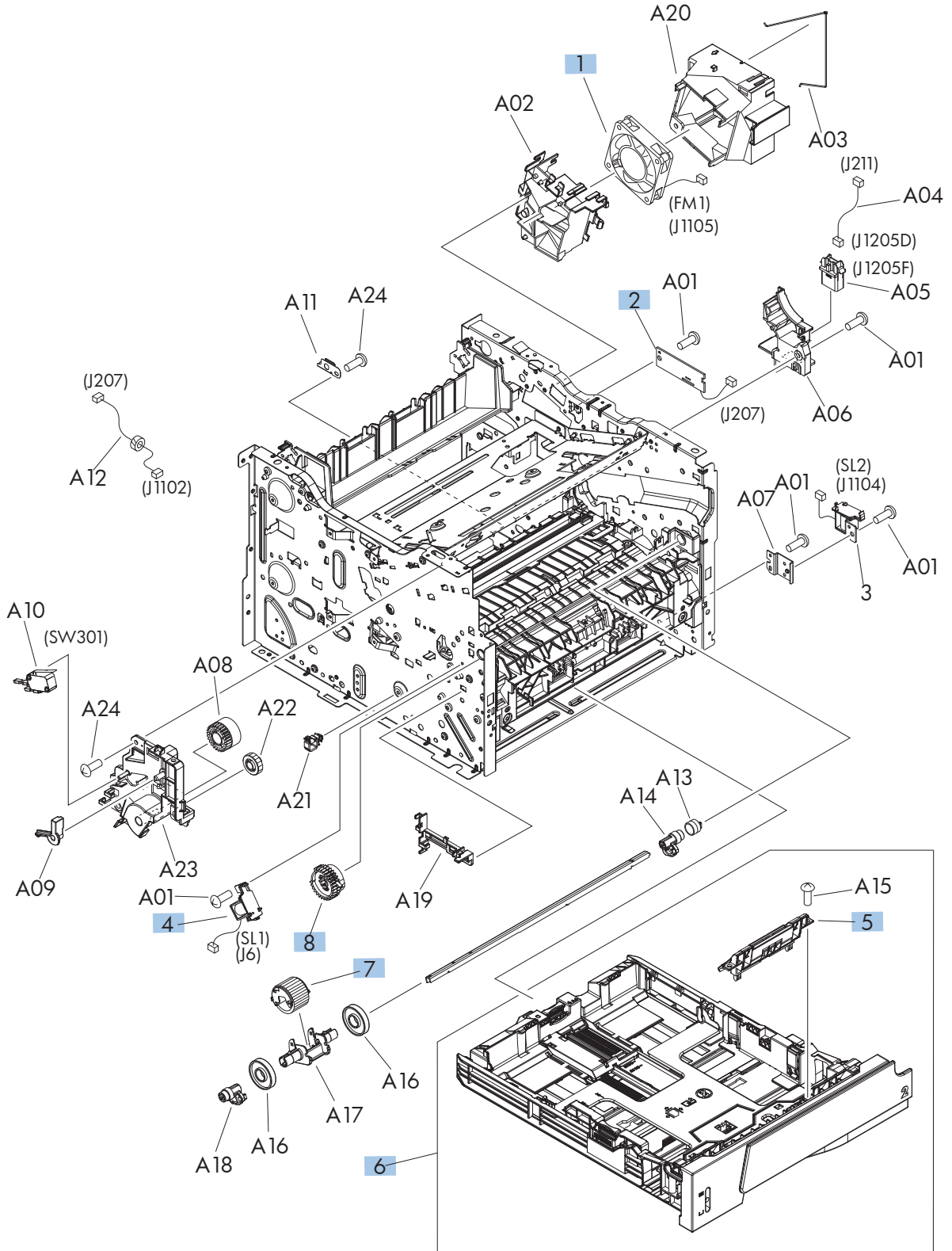


Table 2-11 Internal components (4 of 5)

Ref	Description	Part number	Qty
1	Fan	RK2-2276-000CN	1
2	Connecting PCA	RM1-9114-000CN	1
4	Solenoid, Tray 1	RK2-2731-000CN	1
5	Separation pad holder assembly, Tray 2	RM1-7365-000CN	1
6	Cassette assembly (Tray 2)	RM1-9137-000CN	1
7	Pickup roller, multipurpose tray (Tray 1)	RL1-3307-000CN	1
8	Multipurpose tray pickup gear assembly	RM1-9127-000CN	1

Figure 2-8 Internal components (5 of 5)

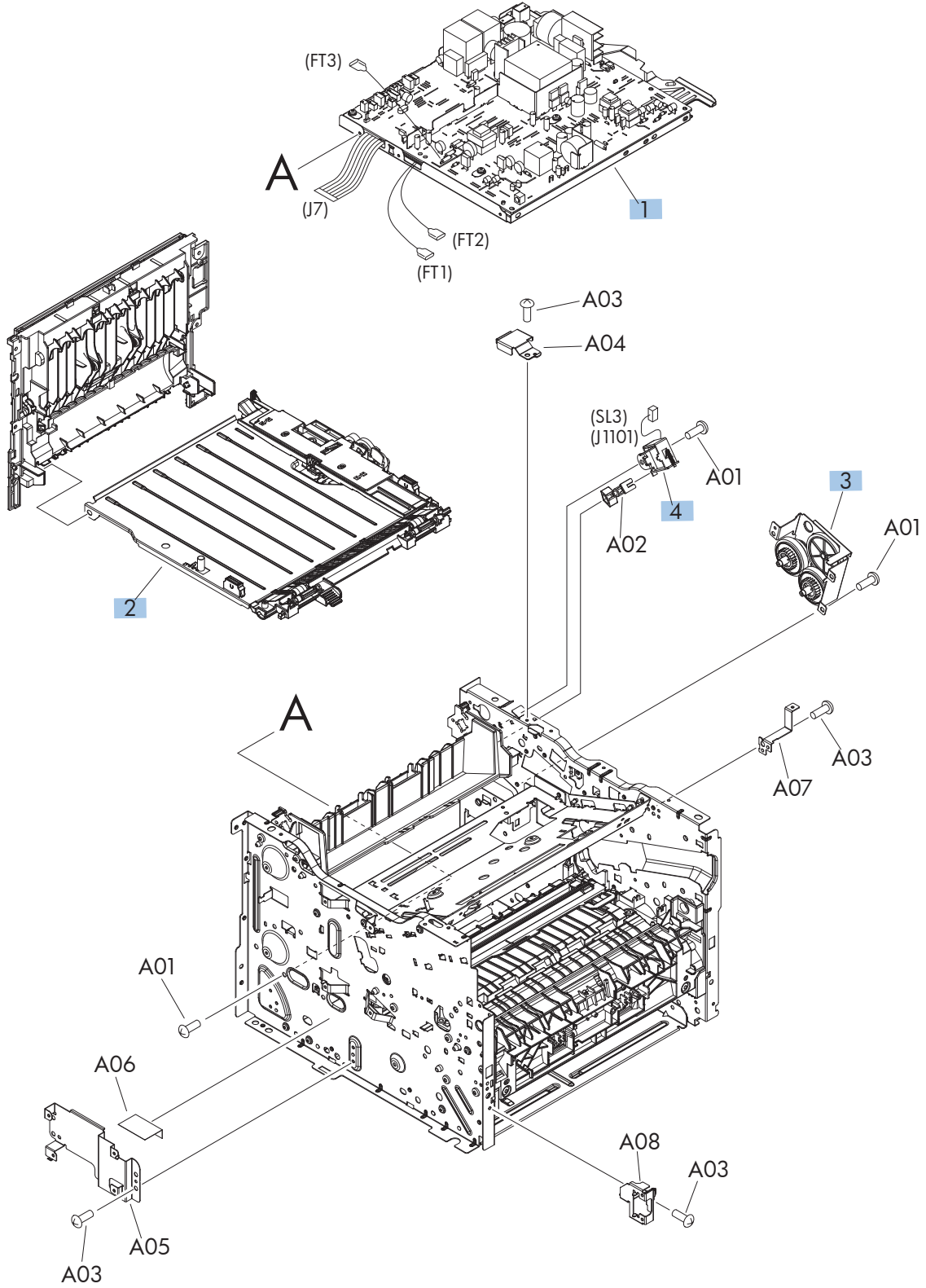


Table 2-12 Internal components (5 of 5)

Ref	Description	Part number	Qty
1	Engine controller assembly (DC controller) — 110V	RM1-9308-000CN	1
1	Engine controller assembly (DC controller) — 220V	RM1-9309-000CN	1
2	Duplexing paper feed assembly	RM1-9153-000CN	1
3	Reverse drive assembly	RM1-9157-000CN	1
4	Solenoid, duplex	RK2-2733-000CN	1

Figure 2-9 PCA locations

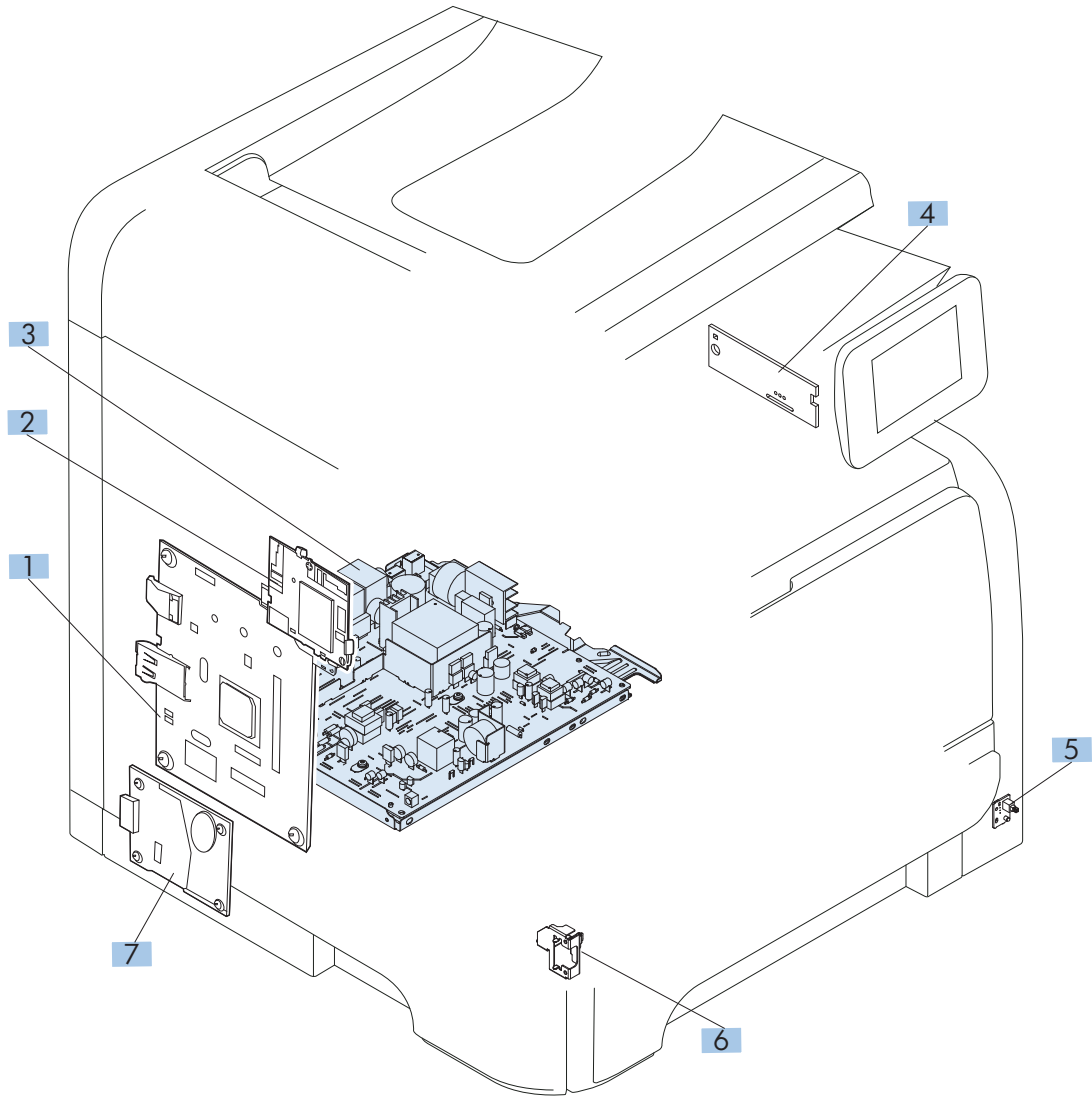


Table 2-13 PCA locations

Ref	Description	Part number	Qty
1	Formatter PCA	CF229-60001	1
1	Formatter PCA (China only)	CF229-69001	1
2	Wireless PCA (HP LaserJet M425dw model only)	CF1150-7940	1
2	Wireless PCA holder (not pictured)	CF286-40014	
3	Engine controller assembly (DC controller) PCA — 110V	RM1-9308-000CN	1
3	Engine controller assembly (DC controller) PCA — 220V	RM1-9309-000CN	1
4	Connecting PCA	RM1-9114-000CN	1
5	Power switch PCA	RM1-9039-000CN	1
6	Universal serial bus (USB) PCA	CF368-60001	1
7	Fax PCA (all countries/regions except Europe)	CF206-60001	1
7	Fax PCA (Europe)	CF207-60001	1

Scanner and document feeder

Figure 2-10 Scanner and document feeder

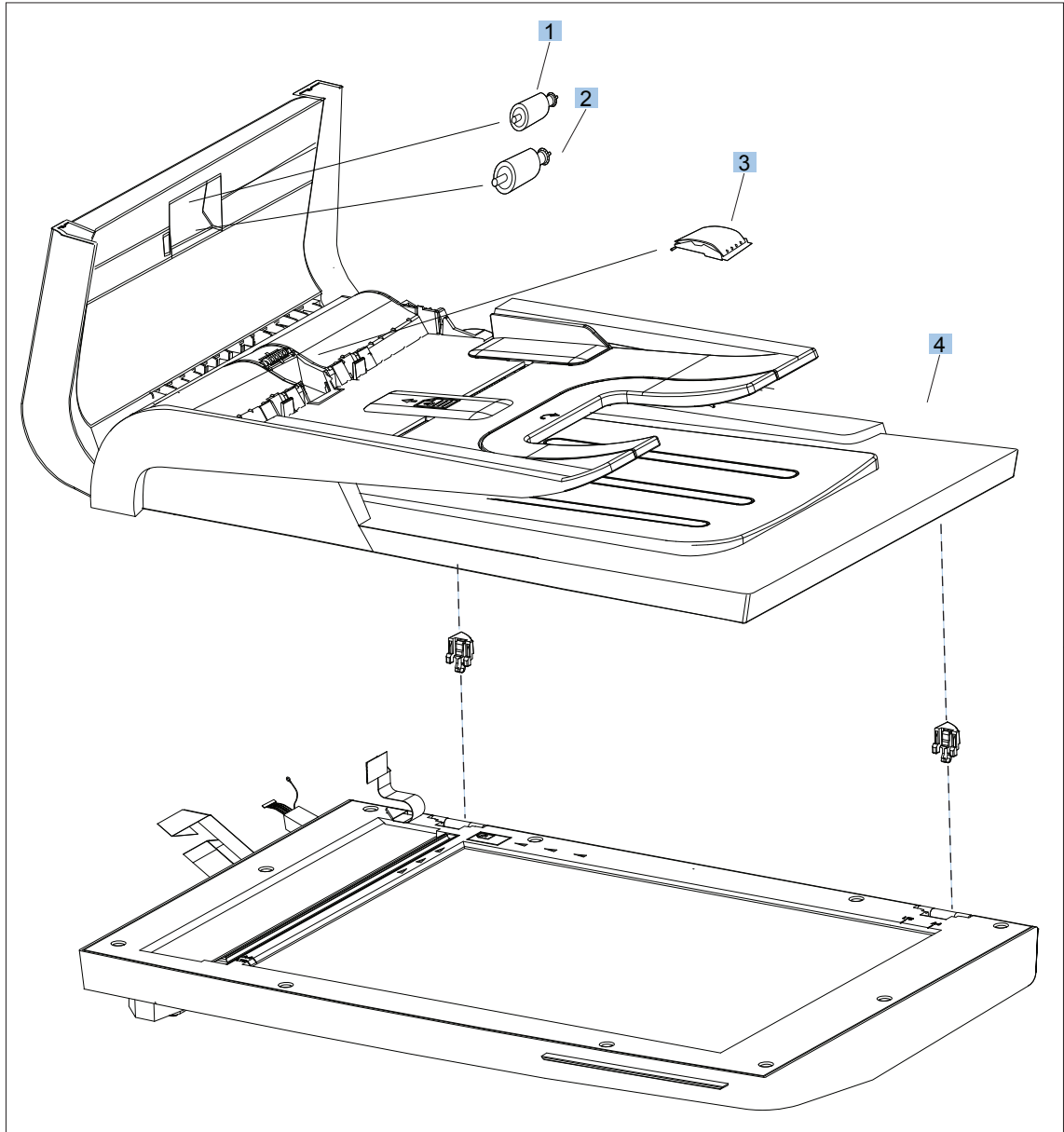


Table 2-14 Scanner and document feeder

Ref	Description	Part number	Qty
1	Document feeder pickup roller	CF288-60015	1
2	Document feeder separation roller	CF288-60016	1
3	Document feeder separation pad	CF288-60021	1
4	Document feeder assembly	CF288-60011	1
5	Scanner assembly	CF288-60104	1

Input devices

500-sheet paper feeder

Paper feeder covers

Figure 2-11 Paper feeder covers

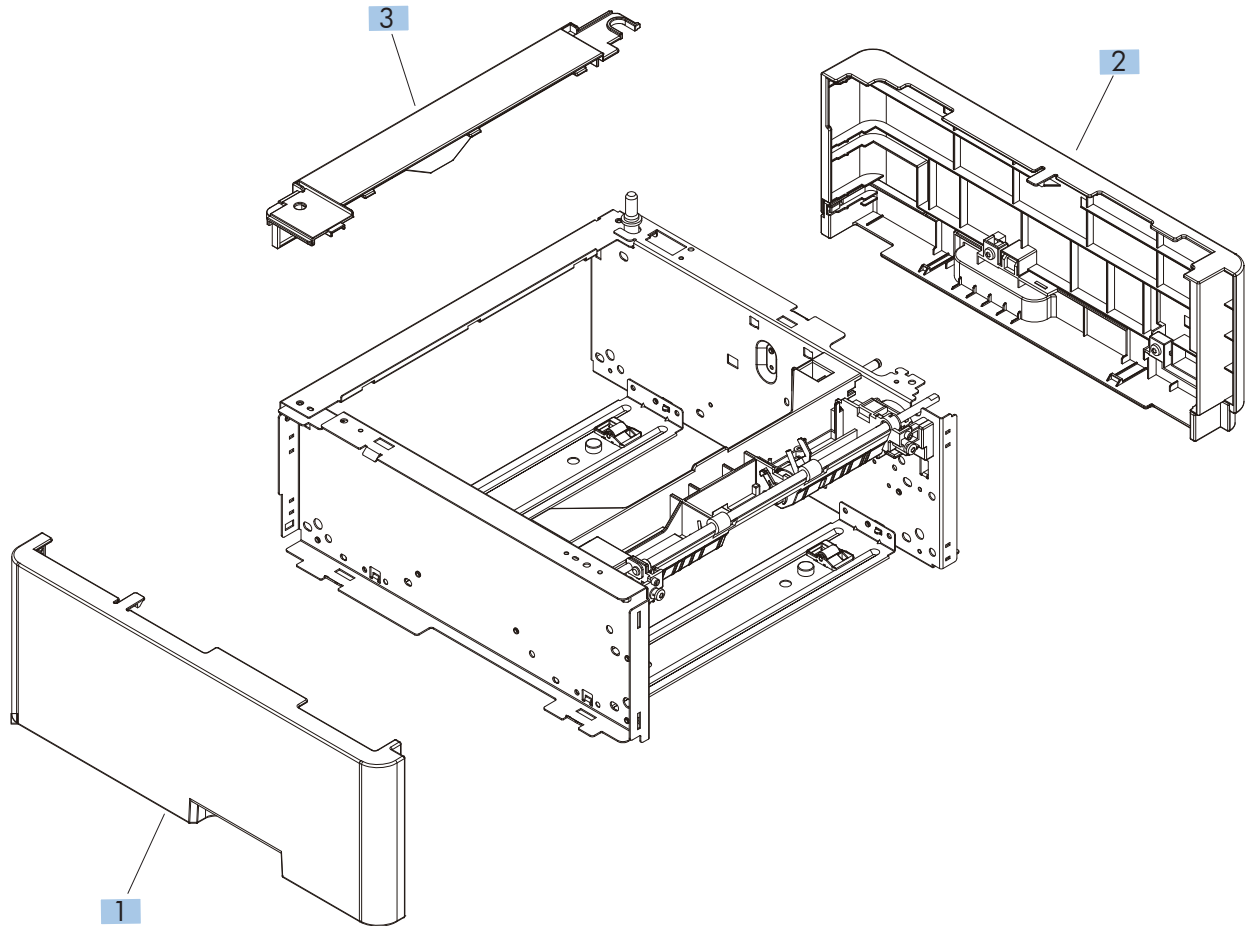


Table 2-15 Paper feeder covers

Ref	Description	Part number	Qty
1	Cover, left	RC3-2618-000CN	1
2	Cover, right	RM1-9316-000CN	1
3	Cover, rear	RC3-2621-000CN	1

Paper feeder main body (1 of 2)

Figure 2-12 Paper feeder main body (1 of 2)

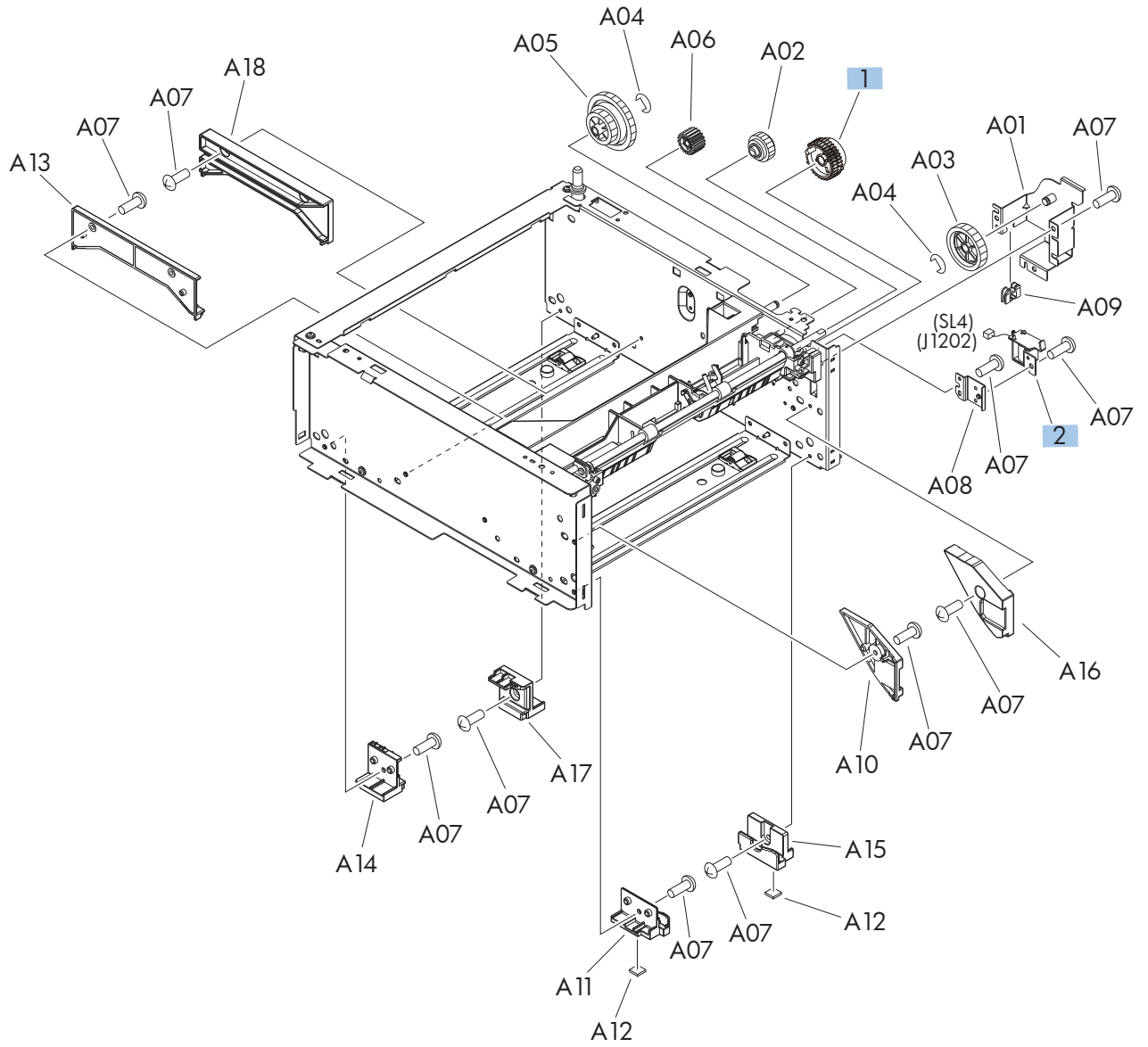


Table 2-16 Paper feeder main body (1 of 2)

Ref	Description	Part number	Qty
1	Paper pickup gear assembly	RM1-7360-000CN	1
2	Solenoid	RK2-0426-000CN	1

Paper feeder main body (2 of 2)

Figure 2-13 Paper feeder main body (2 of 2)

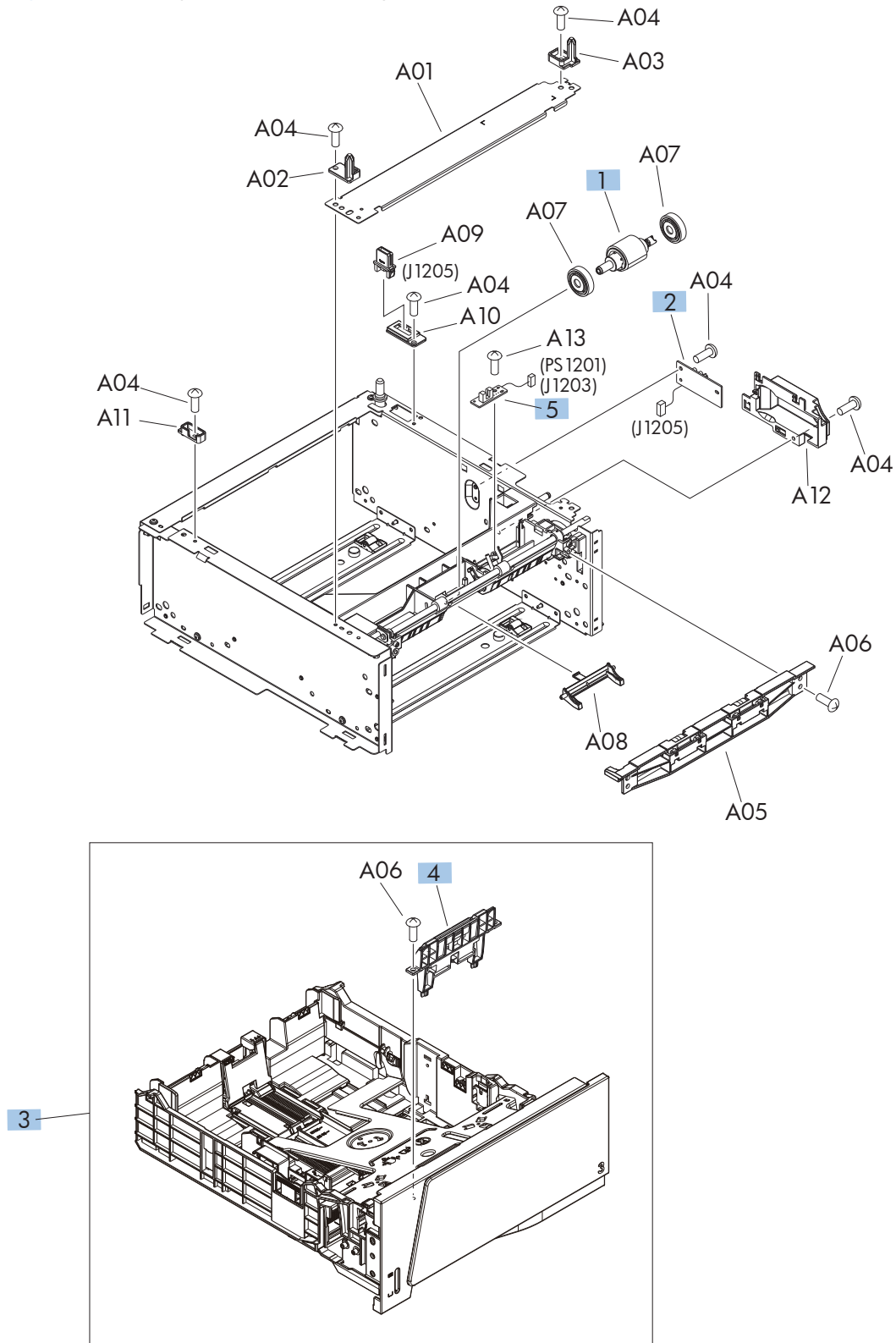


Table 2-17 Paper feeder main body (2 of 2)

Ref	Description	Part number	Qty
1	Paper feeder pickup roller assembly	RM1-9168-000CN	1
2	Paper feeder driver PCA	RM1-9297-000CN	1
3	Paper feeder 500-sheet cassette (Tray 3)	RM1-9313-000CN	1
4	Paper feeder separation pad holder assembly	RM1-6303-000CN	1
5	Paper feeder paper sensor PCA	RM1-1267-000CN	1