
2 Parts and diagrams

- [For additional service and support](#)
- [Assembly locations](#)
- [Order parts, accessories, and supplies](#)
- [How to use the parts lists and diagrams](#)
- [3-in-1 and 4-in-1 scanner assemblies](#)
- [Covers](#)
- [Internal components, printer base](#)
- [Alphabetical parts list](#)
- [Numerical parts list](#)

For additional service and support

HP service personnel, go to the Service Access Work Bench (SAW) at <http://h41302.www4.hp.com/km/saw/home.do>.

Channel partners, go to HP Channel Services Network (CSN) at www.hp.com/partners/csn.

At these locations, find information on the following topics:

- Install and configure
- Printer specifications
- Up-to-date control panel message (CPMD) troubleshooting
- Solutions for printer issues and emerging issues
- Remove and replace part instructions and videos
- Service advisories
- Warranty and regulatory information

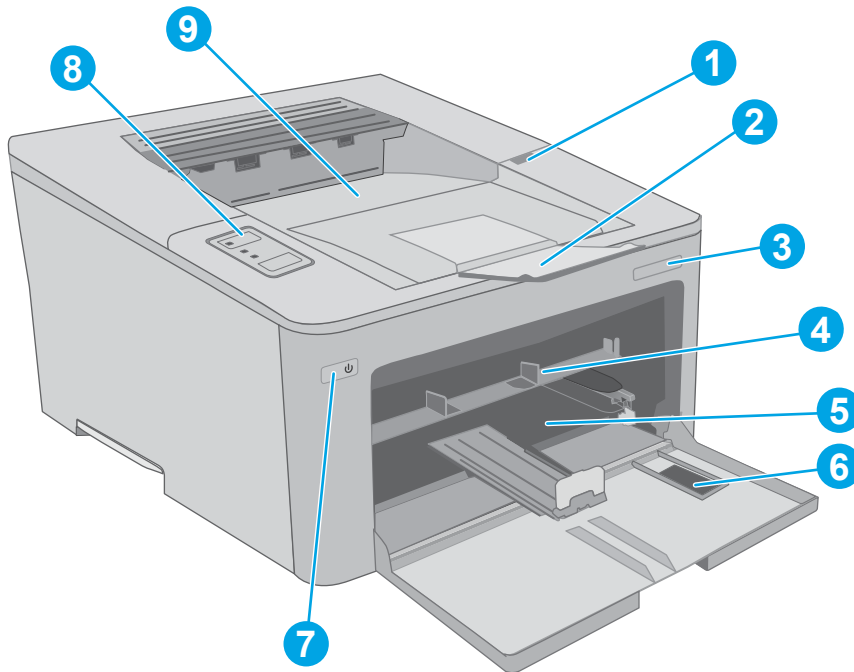
To access HP PartSurfer information from any mobile device, go to <http://partsurfermobile.hp.com/> or scan the Quick Response (QR) code below.



Assembly locations

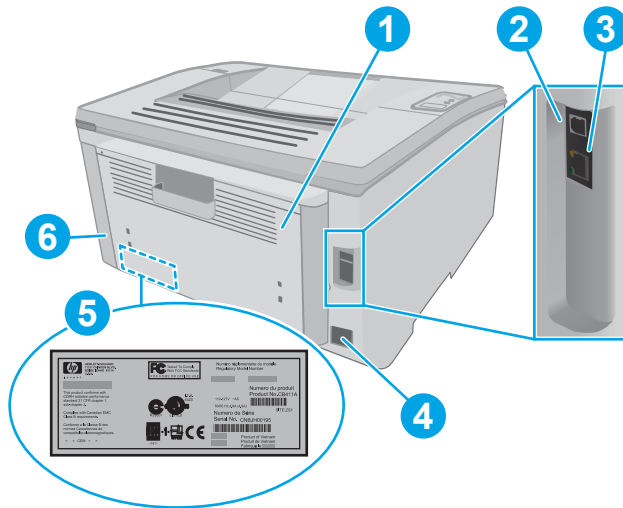
SFP printer views

Printer front view



1	Toner cartridge door
2	Output bin extension
3	Model name
4	Priority input tray
5	Main input tray
6	Main input tray door
7	Power button
8	Control panel
9	Output bin

Printer back view



1 Rear door (access for clearing jams)

2 USB interface port

3 Ethernet port

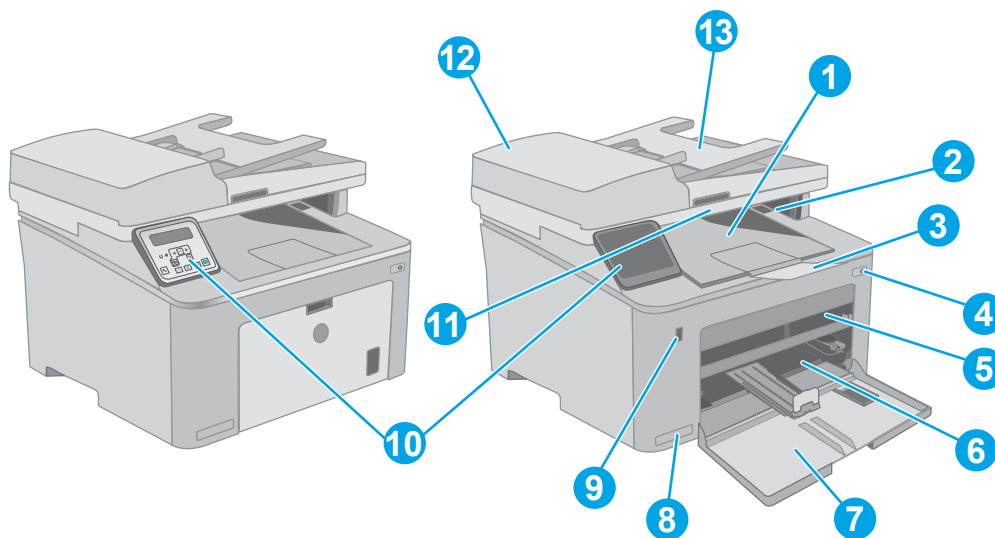
4 Power connection

5 Serial number and product number label

6 Slot for cable-type security lock

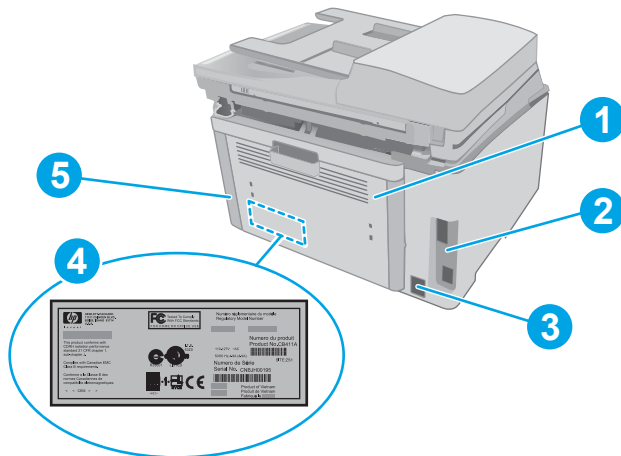
MFP printer views

Printer front view



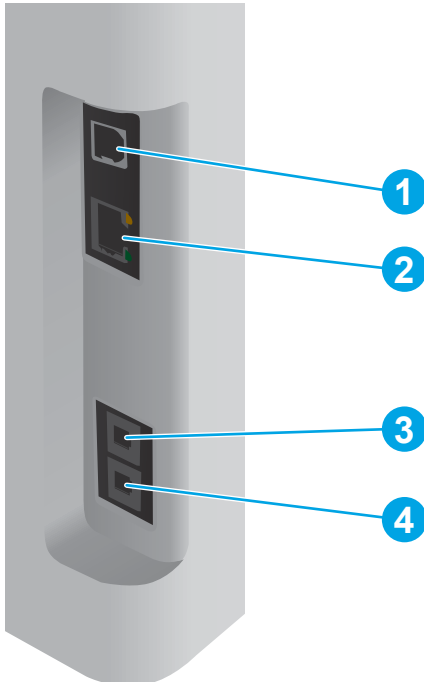
1	Output bin
2	Toner cartridge door
3	Output bin extension
4	Power button
5	Priority input tray
6	Main input tray
7	Main input tray door
8	Model name
9	Walk-up USB port (for printing and scanning without a computer) (Touchscreen models only)
10	Control panel
11	Scanner
12	Document feeder
13	Document feeder input tray

Printer back view



-
- | | |
|---|--|
| 1 | Rear door (access for clearing jams) |
| 2 | Interface ports |
| 3 | Power connection |
| 4 | Serial number and product number label |
| 5 | Slot for cable-type security lock (on the rear cover of the printer) |
-

Interface ports



-
- | | |
|---|--------------------|
| 1 | USB interface port |
| 2 | Ethernet port |
-

3 Fax "line in" port (for attaching the fax phone line to the printer)
(fax models only)

4 Telephone "line out" port (for attaching an extension phone, answering machine, or other device)
(fax models only)

Order parts, accessories, and supplies

Ordering

Order supplies and paper	www.hp.com/go/suresupply
Order genuine HP parts or accessories	www.hp.com/buy/parts
	or
	partsurfer.hp.com
Order through service or support providers	Contact an HP-authorized service or support provider.
Order using the HP Embedded Web Server (EWS)	To access, in a supported web browser on your computer, enter the printer IP address or host name in the address/URL field. The EWS contains a link to the HP SureSupply website, which provides options for purchasing original HP supplies.

Orderable parts

Not all of the parts shown in the diagrams in this chapter can be ordered. Refer to the table following the diagram or the parts lists at the end of this chapter to determine if a part is orderable.

Supplies

Following are the part numbers for the supplies available for the printers.

Table 2-1 Supplies

Item	Description	Cartridge number	Part number
Supplies			
HP 30A Black LaserJet Toner Cartridge	Standard-capacity replacement black toner cartridge	30A	CF230A (new) CF230-67901 (service)
HP 30X Black LaserJet Toner Cartridge	High-capacity replacement black toner cartridge	30x	CF230X (new) CF230-67902 (service)
HP 31A Black LaserJet Toner Cartridge	Extra high-capacity replacement black toner cartridge	31A	CF231A (new) CF231-67901 (service)
HP 32A Original LaserJet Imaging Drum	Imaging drum	32A	CF232A (new) CF232-67901 (service)

Customer self-repair parts

Customer Self-Repair (CSR) parts are available for many HP LaserJet printers to reduce repair time. More information about the CSR program and benefits can be found at www.hp.com/go/csr-support and www.hp.com/go/csr-faq.


Genuine HP replacement parts can be ordered at www.hp.com/buy/parts or by contacting an HP-authorized service or support provider. When ordering, one of the following will be needed: part number, serial number (found on back of printer), printer number, or printer name.


- Parts listed as **Mandatory** self-replacement are to be installed by customers, unless you are willing to pay HP service personnel to perform the repair. For these parts, on-site or return-to-depot support is not provided under the HP printer warranty.
- Parts listed as **Optional** self-replacement can be installed by HP service personnel at your request for no additional charge during the printer warranty period.

Item	Description	Self-replacement options	Part number
Pickup roller	Replacement pickup roller with instruction guide	Mandatory	RL1-2593-000CN
Sheet plate assembly (MFP printers only)	Replacement sheet plate assembly (MFP) with instruction guide	Mandatory	RM2-1185-000CN

How to use the parts lists and diagrams

The figures in this chapter show the major subassemblies in the printer and their component parts. A parts list table follows each exploded view assembly diagram. Each table lists the item number, the associated part number, and the description of each part. If a part is not listed in the table, then it is not a field replacement unit (FRU).

 **CAUTION:** Be sure to order the correct part. When looking for part numbers for electrical components, pay careful attention to the voltage that is listed in the description column. Doing so will ensure that the part number selected is for the correct model.

 **NOTE:** In this manual, the abbreviation “PCA” stands for “printed circuit-board assembly.” Components described as a PCA might consist of a single circuit board or a circuit board plus other parts, such as cables and sensors.

3-in-1 and 4-in-1 scanner assemblies

4-in-1 scanner assembly

Figure 2-1 4-in-1 scanner assembly

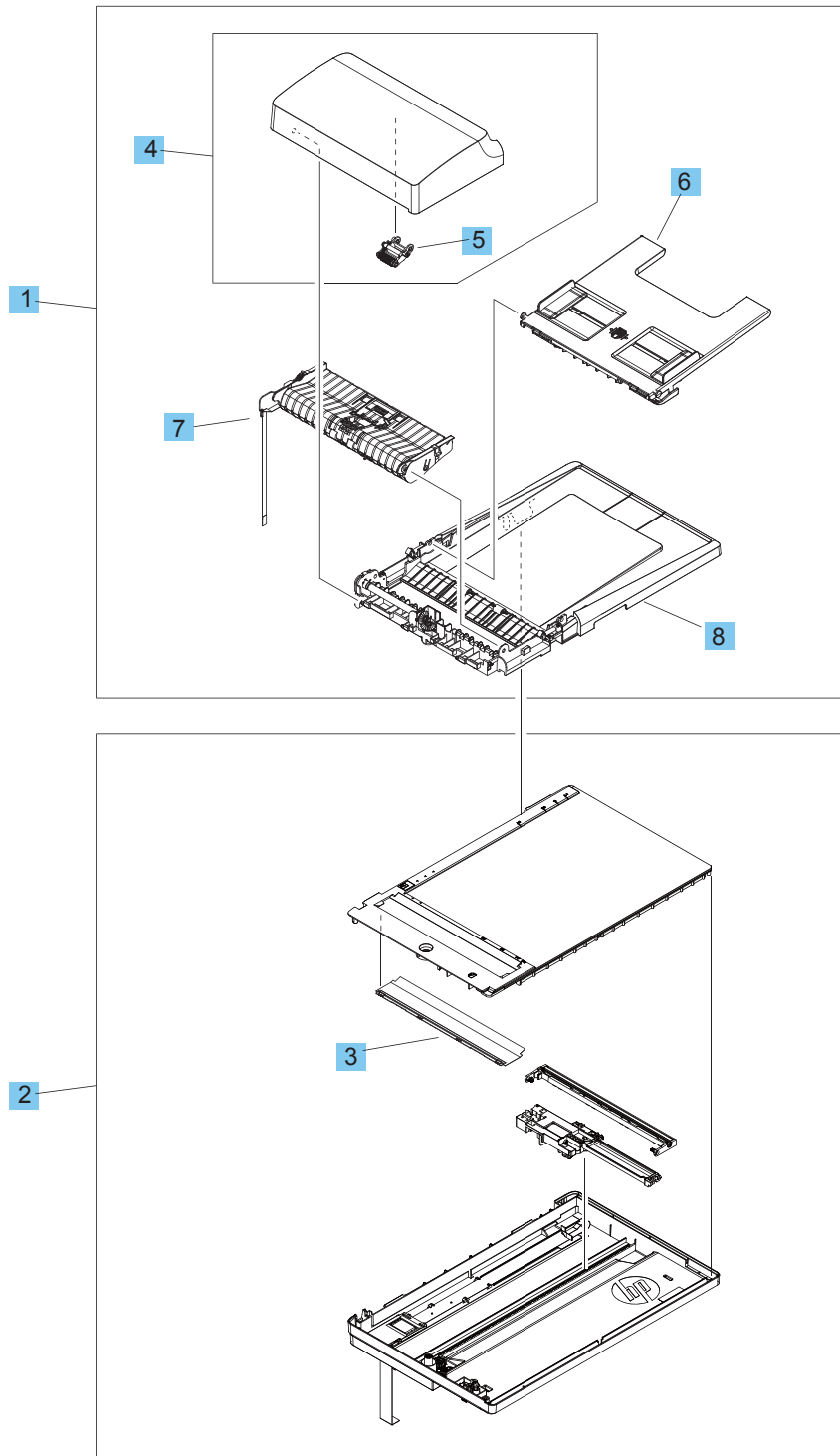


Table 2-2 4-in-1 scanner assembly

Ref	Description	Part number	Qty
1	Automatic document feeder (M227)	RM2-1179-000CN	1
1	Automatic document feeder (M230)	RM2-1664-000CN	1
2	4-in-1 scanner assembly	RM2-6989-000CN	1
3	Sheet plate assembly	RM2-1185-000CN	1
4	Cover, document feeder top	RM2-1180-000CN	1
5	Pre-pick arm assembly	RM2-1187-000CN	1
6	Input tray, document feeder (M227)	RM2-1181-000CN	1
6	Input tray, document feeder (M230)	RM2-1665-000CN	1
7	Core assembly, ADF	RM2-1184-000CN	1
8	ADF base	RM2-1183-000CN	1

3-in-1 scanner assembly

Figure 2-2 3-in-1 scanner assembly

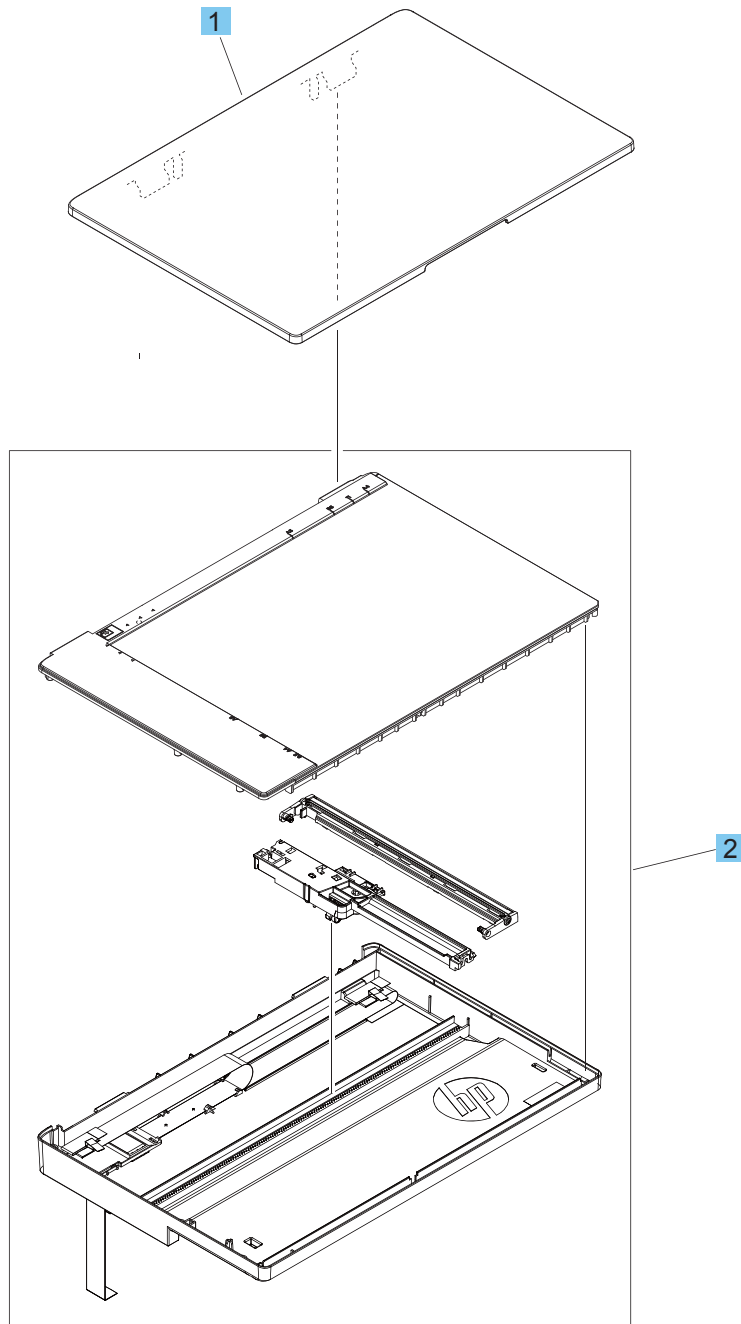


Table 2-3 3-in-1 scanner assembly

Ref	Description	Part number	Qty
1	Lid, 3-in-1 scanner assembly	RM2-6982-000CN	1
2	3-in-1 scanner assembly	RM2-6983-000CN	1

Covers

Covers (SFP models)

Figure 2-3 Covers (SFP models)

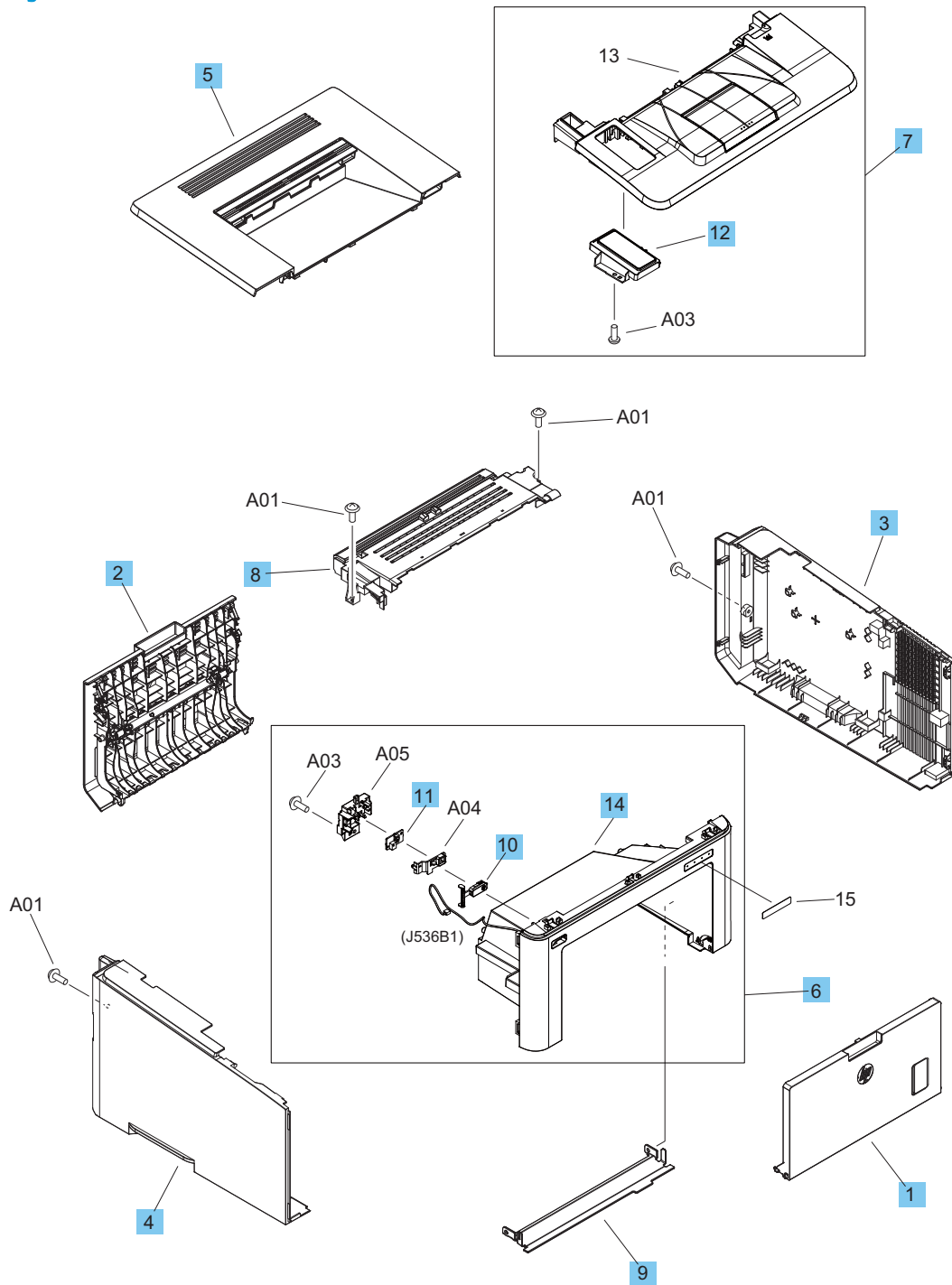


Table 2-4 Covers (SFP models)

Ref	Description	Part number	Qty
1	Cover, multipurpose (SFP)	RL2-5015-000CN	1
2	Door, duplexing assembly (SFP)	RM2-0809-000CN	1
3	Cover, right (SFP)	RC4-8058-000CN	1
4	Cover, left (SFP)	RL2-2925-000CN	1
5	Door, cartridge (M203; SFP)	RL2-5011-000CN	1
5	Door, cartridge (M206; SFP)	RL2-5018-000CN	1
6	Cover, front assembly (SFP)	RM2-0816-000CN	1
7	Cover, front top assembly (network model) (M203; SFP)	RM2-0822-000CN	1
7	Cover, front top assembly (wireless model) (M203; SFP)	RM2-0823-000CN	1
7	Cover, front top assembly (no LED) (M203; SFP)	RM2-2082-000CN	1
7	Cover, front top assembly (network model) (M206; SFP)	RM2-2083-000CN	1
7	Cover, front top assembly (no LED) (M206; SFP)	RM2-2084-000CN	1
8	Cover, top rear (SFP)	RC4-8057-000CN	1
9	Guide, feed front (SFP)	RC4-7985-000CN	1
10	Button, switch (SFP)	RL2-1664-000CN	1
11	Switch, power PCA (SFP)	RM2-8273-000CN	1
12	Control panel assembly (non—wireless model) (M203; SFP)	RM2-0824-000CN	1
12	Control panel assembly (wireless model) (M203; SFP)	RM2-0825-000CN	1
12	Control panel assembly (M206; SFP)	RM2-2085-000CN	1
14	Cover, front (no power switch) (SFP)	RC4-8059-000CN	1

Covers (MFP models)

Figure 2-4 Covers (MFP models)

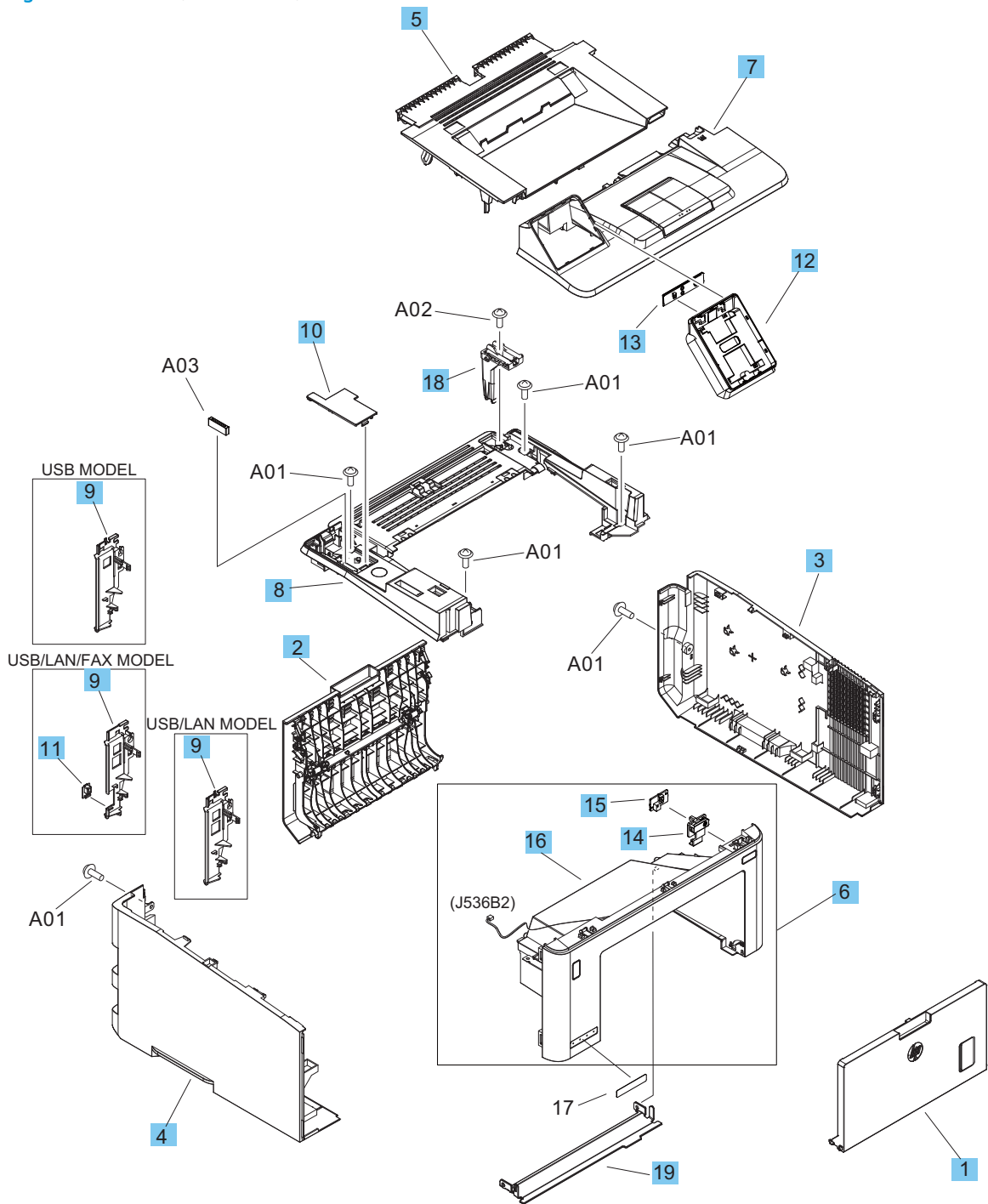


Table 2-5 Covers (MFP models)

Ref	Description	Part number	Qty
1	Cover, multipurpose (MFP)	RL2-5015-000CN	1
2	Door, duplexing assembly (MFP)	RM2-0809-000CN	1
3	Cover, right (MFP)	RC4-8067-000CN	1
4	Cover, left (MFP)	RC4-8070-000CN	1
5	Door, cartridge (MFP)	RL2-5012-000CN	1
6	Cover, front (wireless model; USB port) (MFP)	RM2-0827-000CN	1
6	Cover, front (except wireless model; no USB port) (MFP)	RM2-0826-000CN	1
7	Cover, top front assembly (wireless model) (MFP)	RM2-0834-000CN	1
7	Cover, top front assembly (except wireless model) (MFP)	RM2-2087-000CN	1
8	Cover, top (MFP)	RL2-2927-000CN	1
9	Cover, USB (MFP) USB models	RC4-8021-000CN	1
9	Cover, USB (MFP) USB/LAN models	RC4-8020-000CN	1
9	Cover, USB (MFP) USB/LAN/FAX models	RC4-8019-000CN	1
10	Cover, cable (MFP)	RC5-0436-000CN	1
11	Cap, FAX	RC5-0437-000CN	1
12	Frame, control panel (adaptor) (M227d/sdn/fdn, M230sdn)	RC4-8125-000CN	1
13	Cover, frame (MFP)	RC5-3760-000CN	1
14	Button, switch (MFP)	RL2-1661-000CN	1
15	Switch, power PCA (MFP)	RM2-8273-000CN	1
16	Cover, front (no power switch) (MFP)	RC4-8068-000CN	1
18	Hinge assembly (MFP)	RM2-1182-000CN	1
19	Guide, feed front (MFP)	RC4-7985-000CN	1
Not shown	Control panel, 2-Line LCD (M227d/sdn; MFP)	G3Q74-60101	
Not shown	Control panel, 2-Line LCD (M230sdn; MFP)	G3Q76-60101	1
Not shown	Control panel, 2-Line LCD (M230fdn; MFP)	G3Q79-60102	1
Not shown	Control panel, touchscreen (M227fdw, M230fdw; MFP)	G3Q74-60103	1

Internal components, printer base

Internal components, printer base (1 of 3; SFP)¹

Figure 2-5 Internal components, printer base (1 of 3; SFP)

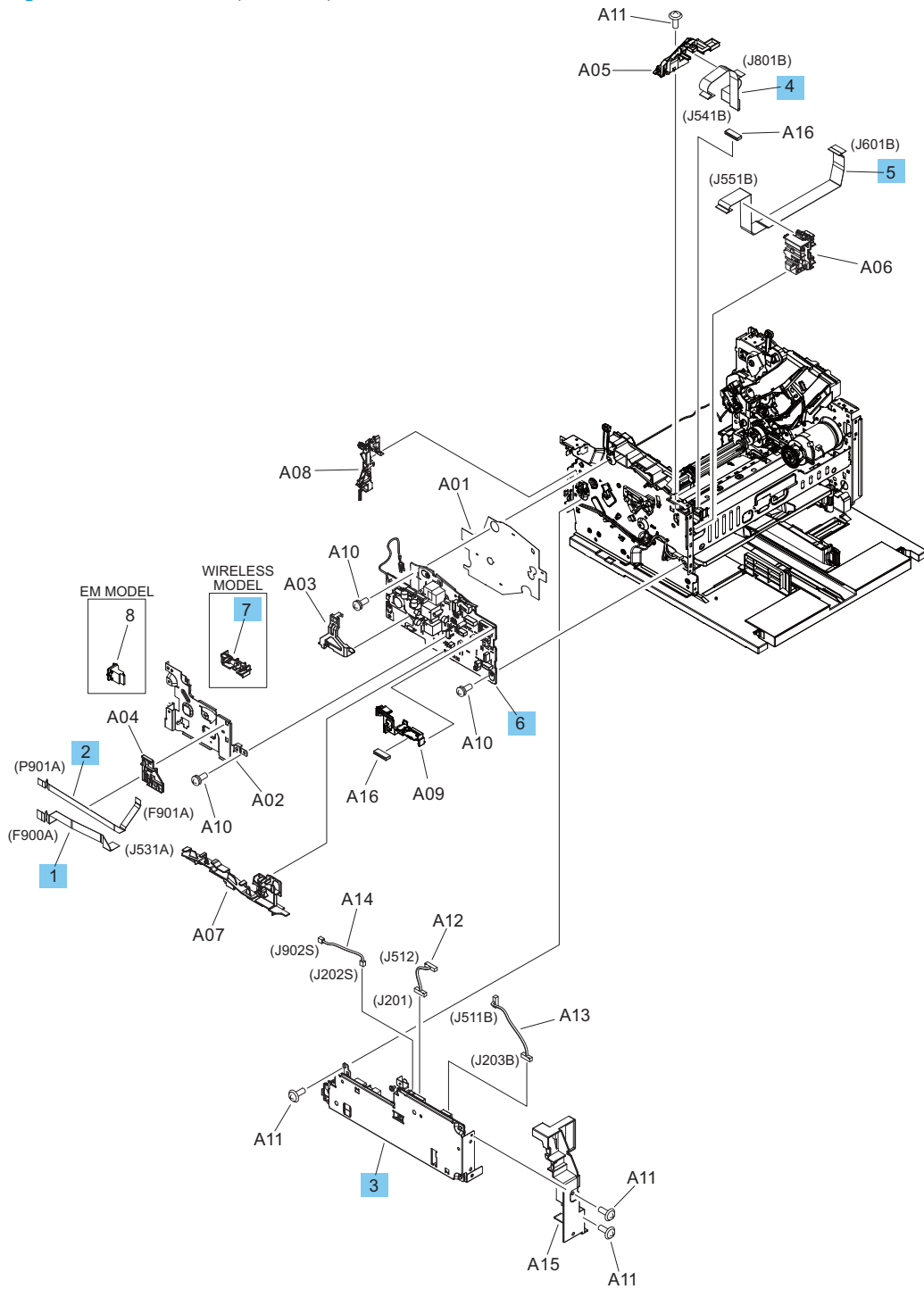


Table 2-6 Internal components, printer base (1 of 3; SFP)¹

Ref	Description	Part number	Qty
1	Cable, flat flexible (SFP)	RK2-8416-000CN	1
2	Cable, flat flexible (SFP)	RK2-8522-000CN	1
3	Low-voltage power supply (LVPS) (110-127V) (SFP)	RM2-0837-000CN	1
3	Low-voltage power supply (LVPS) (220-240V; China) (SFP)	RM2-0839-000CN	1
3	Low-voltage power supply (LVPS) (220-240V; except China) (SFP)	RM2-0838-000CN	1
4	Cable, flat flexible (SFP)	RK2-8510-000CN	1
5	Cable, flat flexible (SFP)	RK2-8513-000CN	1
6	Engine control unit (ECU) PCA (SFP)	RM2-8334-000CN	1
7	Holder, Wi-Fi PCA (SFP)	RC4-7851-000CN	1
Not shown	Formatter assembly (base model; SFP)	G3Q47-60001	1
Not shown	Formatter assembly (wireless model; SFP)	G3Q50-60001	1
Not shown	Wi-Fi PCA (SFP)	0960-3662	1

¹ Some assemblies are common between the SFP printers and the MFP printers. Make sure that the correct part number is used to order assemblies.

Internal components, printer base (2 of 3; SFP)¹

Figure 2-6 Internal components, printer base (2 of 3; SFP)

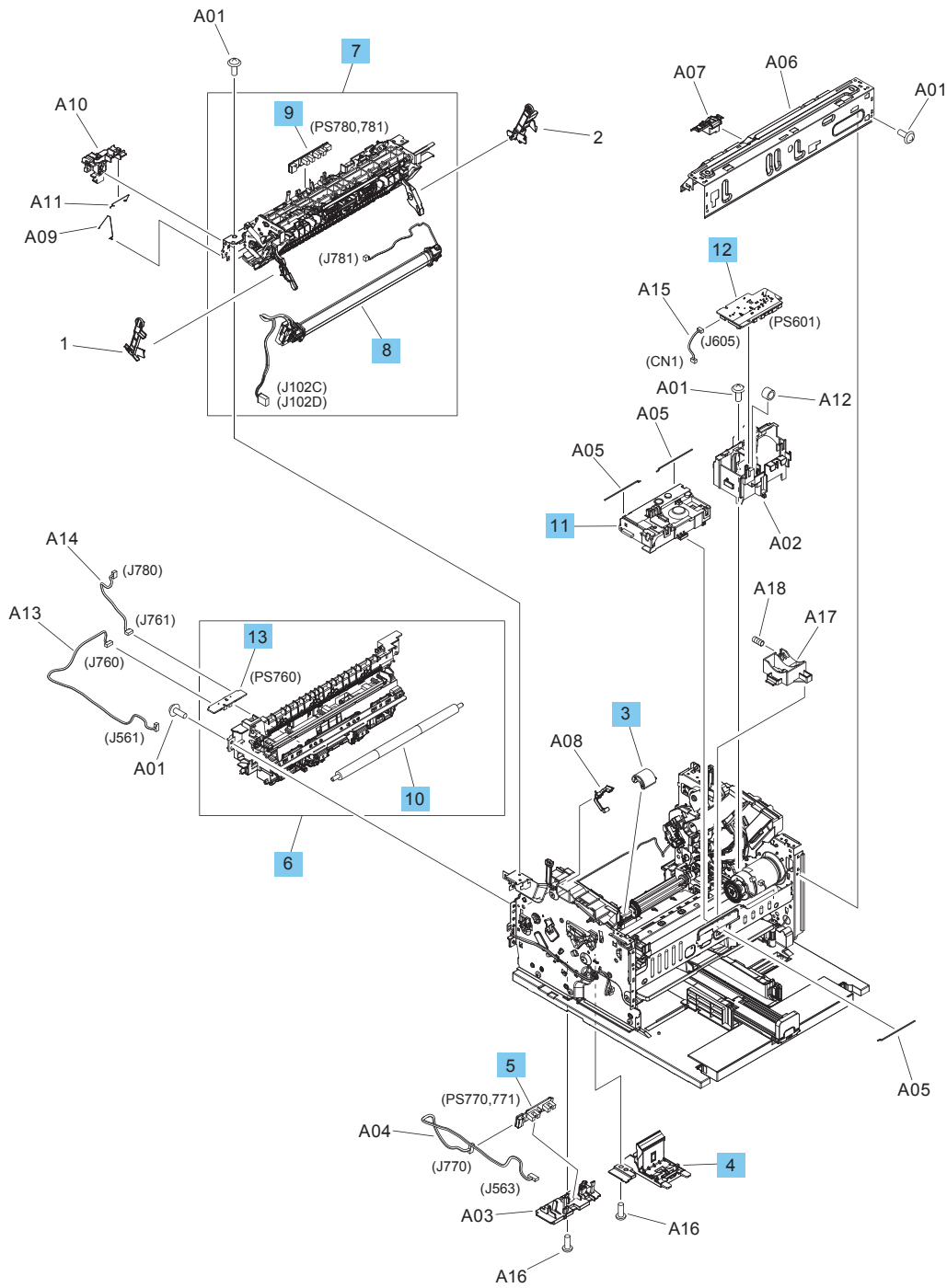


Table 2-7 Internal components, printer base (2 of 3; SFP)¹

Ref	Description	Part number	Qty
3	Roller, paper pickup (SFP)	RL1-2593-000CN	1
4	Pad, separation holder assembly (SFP)	RM2-0812-000CN	1
5	Sensor, environmental PCA (SFP)	RM2-8376-000CN	1
6	Transfer assembly (SFP)	RM2-0843-000CN	1
7	Fixing (fuser) assembly (110-120V) (SFP)	RM2-0805-000CN	1
7	Fixing (fuser) assembly (220-240V) (SFP)	RM2-0806-000CN	1
8	Fixing (fuser) film assembly (110-120V) (SFP)	RM2-0814-000CN	1
8	Fixing (fuser) film assembly (220-240V) (SFP)	RM2-0815-000CN	1
9	Sensor, delivery PCA (SFP)	RM2-8378-000CN	1
10	Roller, transfer (SFP)	RM2-1660-000CN	1
11	Laser scanner assembly (SFP)	RM2-6911-000CN	1
12	Motor PCA (SFP)	RM2-8351-000CN	1
13	Paper pickup sensor PCA assembly (SFP)	RM2-8377-000CN	1

¹ Some assemblies are common between the SFP printers and the MFP printers. Make sure that the correct part number is used to order assemblies.

Internal components, printer base (3 of 3; SFP)¹

Figure 2-7 Internal components, printer base (3 of 3; SFP)

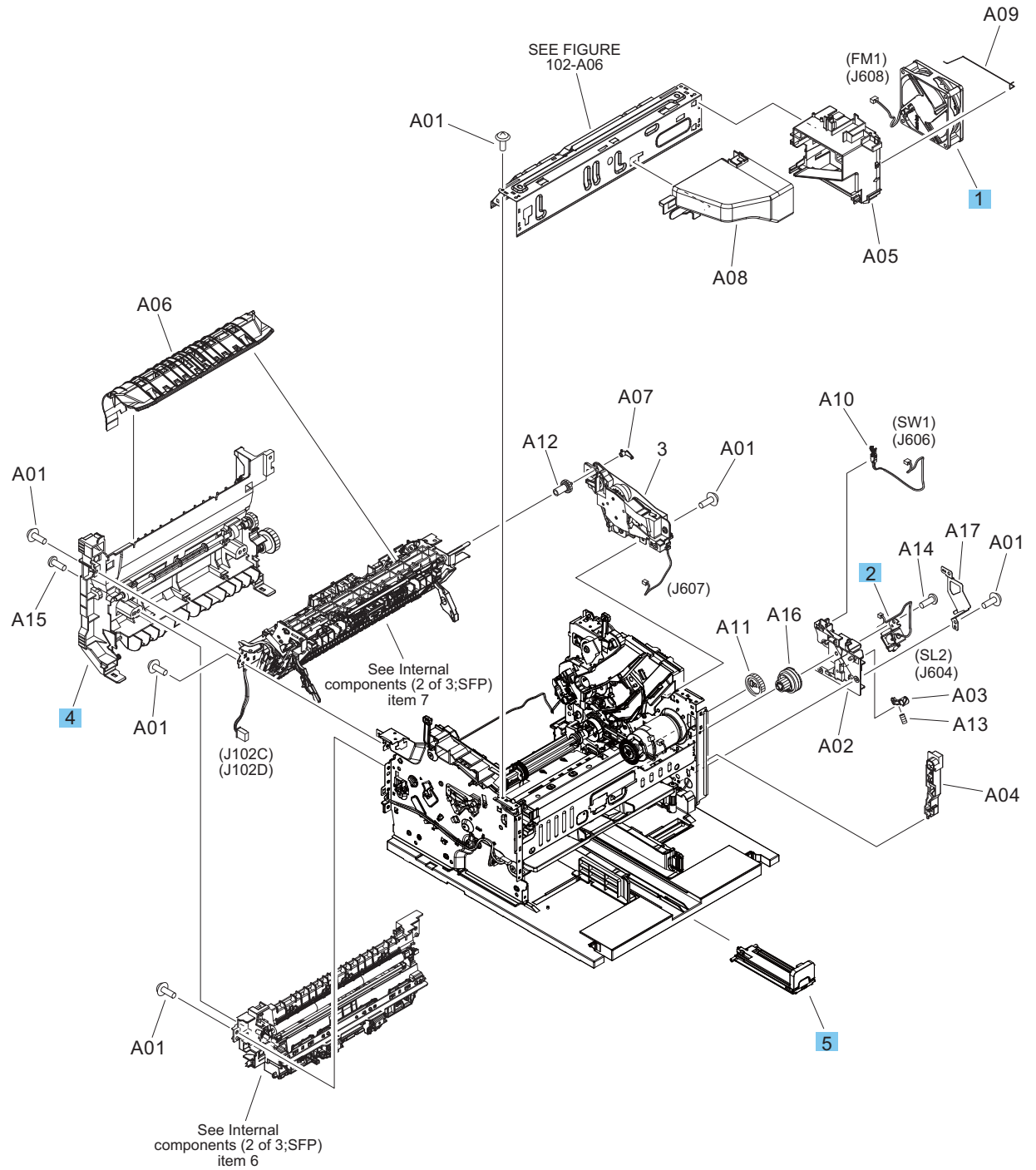


Table 2-8 Internal components, printer base (3 of 3; SFP)¹

Ref	Description	Part number	Qty
1	Fan (SFP)	RK2-1378-000CN	1
2	Solenoid (SFP)	RK2-7601-000CN	1
4	Duplex paper feed assembly (SFP)	RM2-2086-000CN	1
5	Guide, end (SFP)	RL2-5016-000CN	1

¹ Some assemblies are common between the SFP printers and the MFP printers. Make sure that the correct part number is used to order assemblies.

Internal components, printer base (1 of 3; MFP)¹

Figure 2-8 Internal components, printer base (1 of 3; MFP)

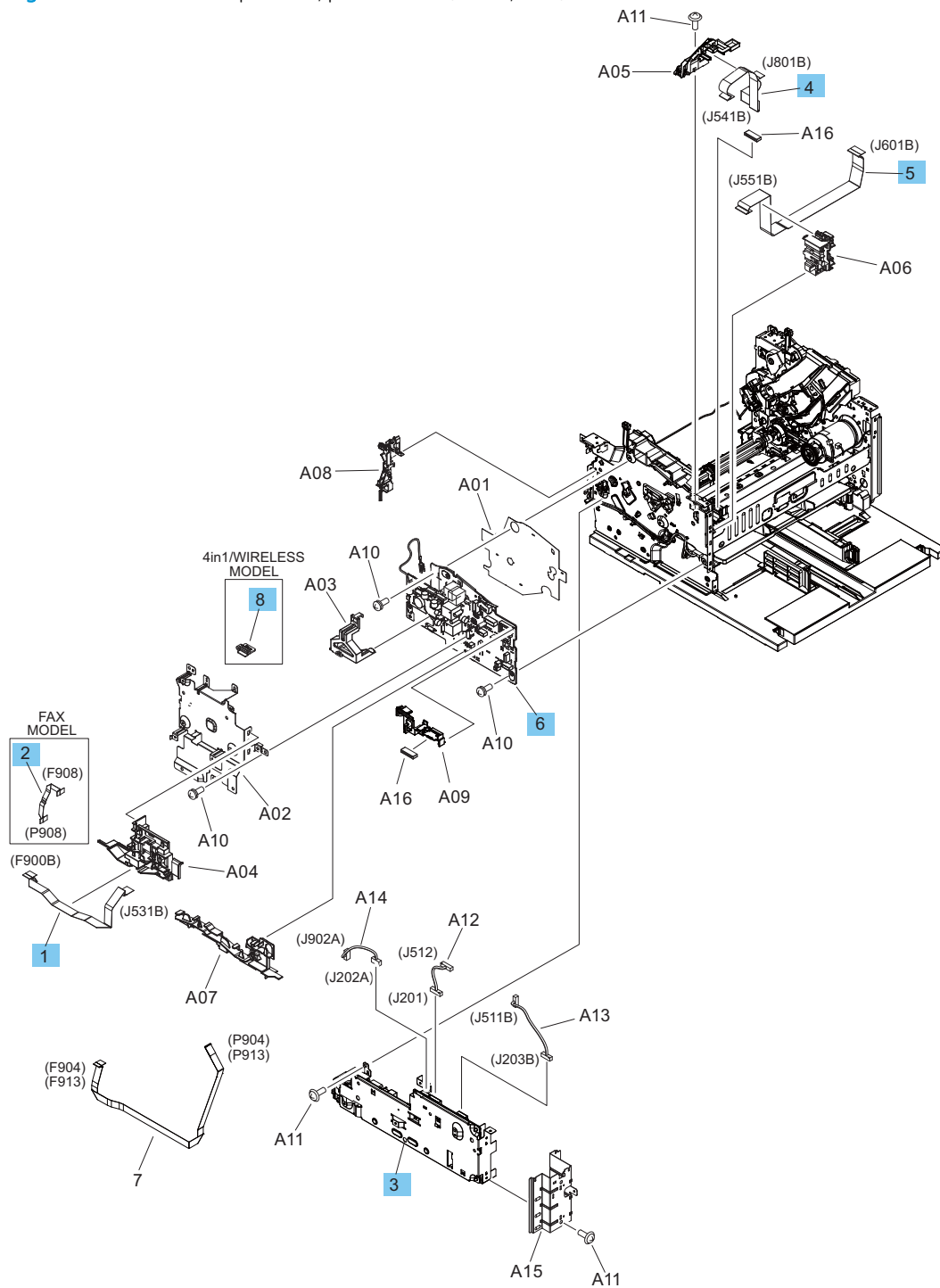


Table 2-9 Internal components, printer base (1 of 3; MFP)¹

Ref	Description	Part number	Qty
1	Cable, flat flexible (MFP)	RK2-8419-000CN	1
2	Cable, flat flexible (USB/LAN/FAX model) (MFP)	RK2-8440-000CN	1
3	Low-voltage power supply (LVPS) (110-127V) (MFP)	RM2-0840-000CN	1
3	Low-voltage power supply (LVPS) (220-240V; China) (MFP)	RM2-0842-000CN	1
3	Low-voltage power supply (LVPS) (220-240V; except China) (MFP)	RM2-0841-000CN	1
4	Cable, flat flexible (MFP)	RK2-8510-000CN	1
5	Cable, flat flexible (MFP)	RK2-8513-000CN	1
6	Engine control unit (ECU) PCA (MFP)	RM2-8334-000CN	1
8	Holder, Wi-Fi PCA (MFP)	RC5-0500-000CN	1
Not shown	Formatter assembly (without Fax; MFP)	G3Q74-60001	1
Not shown	Formatter assembly (with Fax; MFP)	G3Q75-60001	1
Not shown	Wi-Fi board (wireless models only; MFP)	0960-3662	1
Not shown	Fax board (WW) (fax models only; MFP)	G3Q60-60001	1
Not shown	Fax board (EU) (fax models only; MFP)	G3Q61-60001	1
Not shown	PCA, front USB	CF368-60001	1
Not shown	NFC module	BK493-60001	1

¹ Some assemblies are common between the SFP printers and the MFP printers. Make sure that the correct part number is used to order assemblies.

Internal components, printer base (2 of 3; MFP)¹

Figure 2-9 Internal components, printer base (2 of 3; MFP)

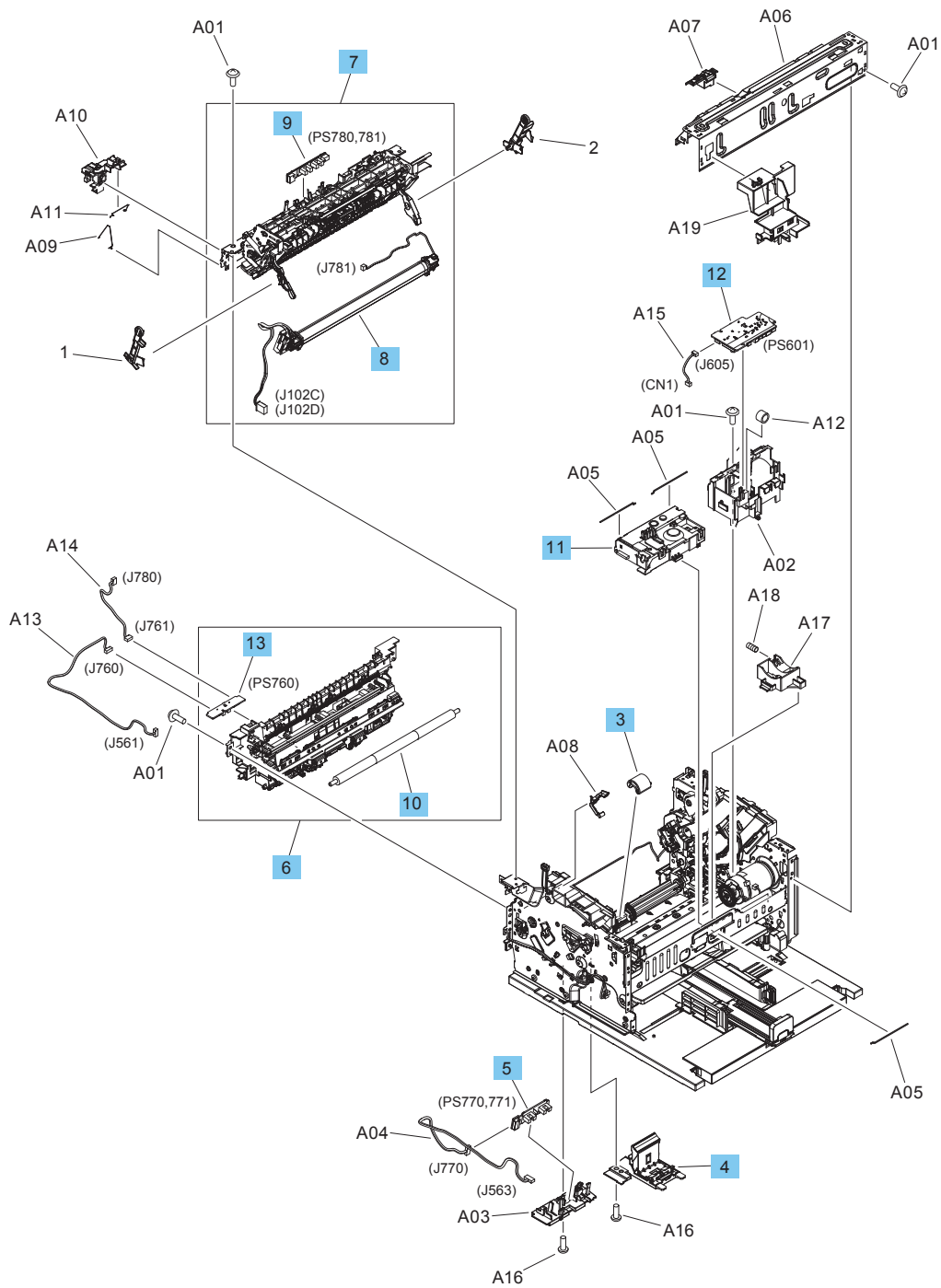


Table 2-10 Internal components, printer base (2 of 3; MFP)¹

Ref	Description	Part number	Qty
3	Roller, paper pickup (MFP)	RL1-2593-000CN	1
4	Pad, separation holder assembly (MFP)	RM2-0812-000CN	1
5	Sensor, environmental PCA (MFP)	RM2-8376-000CN	1
6	Transfer assembly (MFP)	RM2-0843-000CN	1
7	Fixing (fuser) assembly (110-120V) (MFP)	RM2-0805-000CN	1
7	Fixing (fuser) assembly (220-240V) (MFP)	RM2-0806-000CN	1
8	Fixing (fuser) film assembly (110-120V) (MFP)	RM2-0814-000CN	1
8	Fixing (fuser) film assembly (220-240V) (MFP)	RM2-0815-000CN	1
9	Sensor, delivery PCA (MFP)	RM2-8378-000CN	1
10	Roller, transfer (MFP)	RM2-1660-000CN	1
11	Laser scanner assembly (MFP)	RM2-6911-000CN	1
12	Motor PCA (MFP)	RM2-8351-000CN	1
13	Paper pickup sensor PCA assembly (MFP)	RM2-8377-0000CN	1

¹ Some assemblies are common between the SFP printers and the MFP printers. Make sure that the correct part number is used to order assemblies.

Internal components, printer base (3 of 3; MFP)¹

Figure 2-10 Internal components, printer base (3 of 3; MFP)

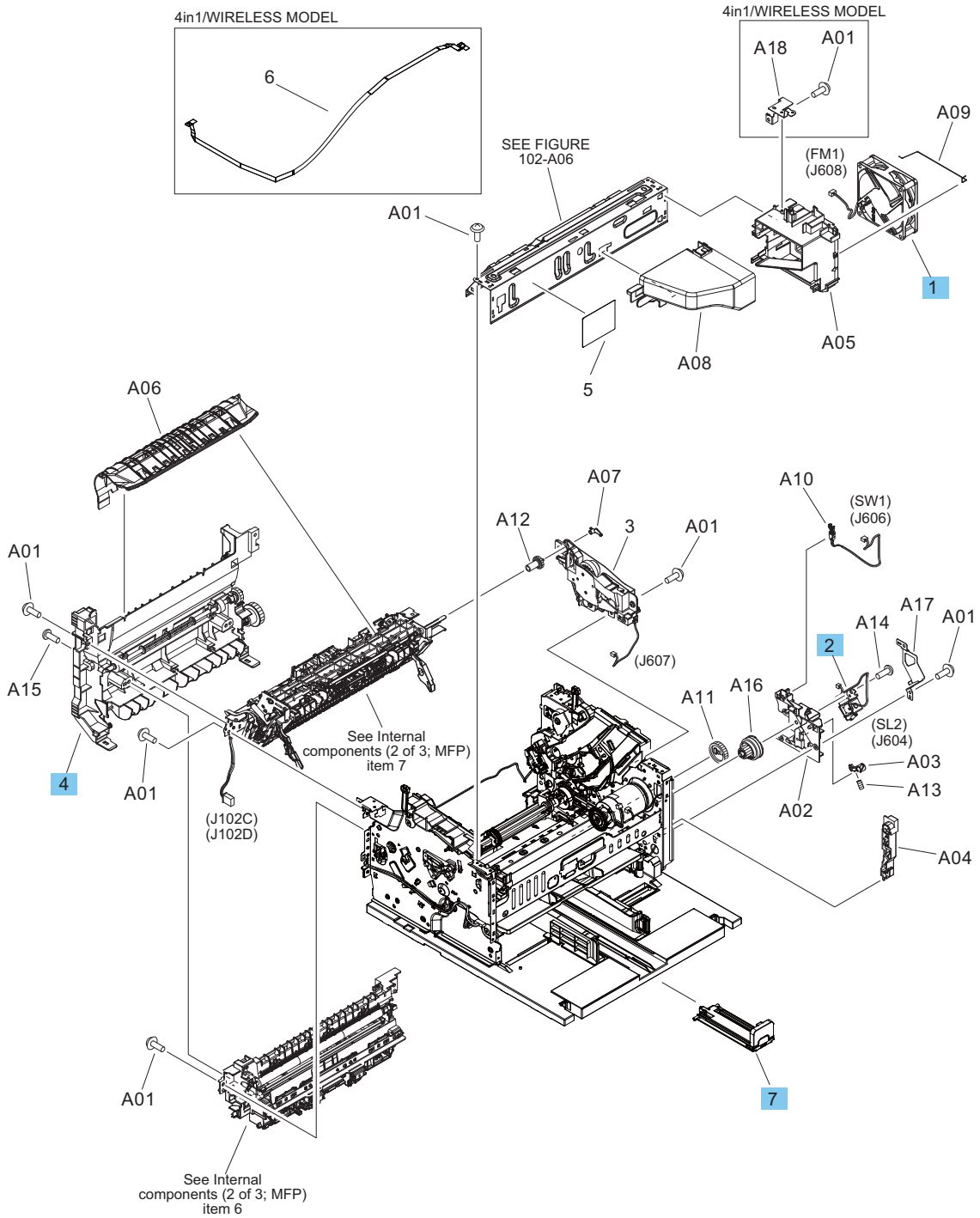


Table 2-11 Internal components, printer base (3 of 3; MFP)¹

Ref	Description	Part number	Qty
1	Fan (MFP)	RK2-1378-000CN	1
2	Solenoid (MFP)	RK2-7601-000CN	1
4	Duplex paper feed assembly (MFP)	RM2-2086-000CN	1
7	Guide, end (MFP)	RL2-5016-000CN	1

¹ Some assemblies are common between the SFP printers and the MFP printers. Make sure that the correct part number is used to order assemblies.

Alphabetical parts list

Table 2-12 Alphabetical parts list

Description	Part number	Table and page
3-in-1 scanner assembly	RM2-6983-000CN	3-in-1 scanner assembly on page 1183
4-in-1 scanner assembly	RM2-6989-000CN	4-in-1 scanner assembly on page 1181
ADF base	RM2-1183-000CN	4-in-1 scanner assembly on page 1181
Automatic document feeder (M227)	RM2-1179-000CN	4-in-1 scanner assembly on page 1181
Automatic document feeder (M230)	RM2-1664-000CN	4-in-1 scanner assembly on page 1181
Button, switch (MFP)	RL2-1661-000CN	Covers (MFP models) on page 1187
Button, switch (SFP)	RL2-1664-000CN	Covers (SFP models) on page 1185
Cable, flat flexible (MFP)	RK2-8419-000CN	Internal components, printer base (1 of 3; MFP)¹ on page 1195
Cable, flat flexible (MFP)	RK2-8510-000CN	Internal components, printer base (1 of 3; MFP)¹ on page 1195
Cable, flat flexible (MFP)	RK2-8513-000CN	Internal components, printer base (1 of 3; MFP)¹ on page 1195
Cable, flat flexible (SFP)	RK2-8416-000CN	Internal components, printer base (1 of 3; SFP)¹ on page 1189
Cable, flat flexible (SFP)	RK2-8522-000CN	Internal components, printer base (1 of 3; SFP)¹ on page 1189
Cable, flat flexible (SFP)	RK2-8510-000CN	Internal components, printer base (1 of 3; SFP)¹ on page 1189
Cable, flat flexible (SFP)	RK2-8513-000CN	Internal components, printer base (1 of 3; SFP)¹ on page 1189
Cable, flat flexible (USB/LAN/FAX model) (MFP)	RK2-8440-000CN	Internal components, printer base (1 of 3; MFP)¹ on page 1195
Cap, FAX	RC5-0437-000CN	Covers (MFP models) on page 1187
Control panel assembly (M206; SFP)	RM2-2085-000CN	Covers (SFP models) on page 1185
Control panel assembly (non—wireless model) (M203; SFP)	RM2-0824-000CN	Covers (SFP models) on page 1185
Control panel assembly (wireless model) (M203; SFP)	RM2-0825-000CN	Covers (SFP models) on page 1185
Control panel, 2-Line LCD (M227d/sdn; MFP)	G3Q74-60101	Covers (MFP models) on page 1187

Table 2-12 Alphabetical parts list (continued)

Description	Part number	Table and page
Control panel, 2-Line LCD (M230fdn; MFP)	G3Q79-60102	Covers (MFP models) on page 1187
Control panel, 2-Line LCD (M230sdn; MFP)	G3Q76-60101	Covers (MFP models) on page 1187
Control panel, touchscreen (M227fdw, M230fdw; MFP)	G3Q74-60103	Covers (MFP models) on page 1187
Core assembly, ADF	RM2-1184-000CN	4-in-1 scanner assembly on page 1181
Cover, cable (MFP)	RC5-0436-000CN	Covers (MFP models) on page 1187
Cover, document feeder top	RM2-1180-000CN	4-in-1 scanner assembly on page 1181
Cover, frame (MFP)	RC5-3760-000CN	Covers (MFP models) on page 1187
Cover, front (except wireless model; no USB port) (MFP)	RM2-0826-000CN	Covers (MFP models) on page 1187
Cover, front (no power switch) (MFP)	RC4-8068-000CN	Covers (MFP models) on page 1187
Cover, front (no power switch) (SFP)	RC4-8059-000CN	Covers (SFP models) on page 1185
Cover, front (wireless model; USB port) (MFP)	RM2-0827-000CN	Covers (MFP models) on page 1187
Cover, front assembly (SFP)	RM2-0816-000CN	Covers (SFP models) on page 1185
Cover, front top assembly (network model) (M203; SFP)	RM2-0822-000CN	Covers (SFP models) on page 1185
Cover, front top assembly (network model) (M206; SFP)	RM2-2083-000CN	Covers (SFP models) on page 1185
Cover, front top assembly (no LED) (M203; SFP)	RM2-2082-000CN	Covers (SFP models) on page 1185
Cover, front top assembly (no LED) (M206; SFP)	RM2-2084-000CN	Covers (SFP models) on page 1185
Cover, front top assembly (wireless model) (M203; SFP)	RM2-0823-000CN	Covers (SFP models) on page 1185
Cover, left (MFP)	RC4-8070-000CN	Covers (MFP models) on page 1187
Cover, left (SFP)	RL2-2925-000CN	Covers (SFP models) on page 1185
Cover, multipurpose (MFP)	RL2-5015-000CN	Covers (MFP models) on page 1187
Cover, multipurpose (SFP)	RL2-5015-000CN	Covers (SFP models) on page 1185

Table 2-12 Alphabetical parts list (continued)

Description	Part number	Table and page
Cover, right (MFP)	RC4-8067-000CN	Covers (MFP models) on page 1187
Cover, right (SFP)	RC4-8058-000CN	Covers (SFP models) on page 1185
Cover, top (MFP)	RL2-2927-000CN	Covers (MFP models) on page 1187
Cover, top front assembly (except wireless model) (MFP)	RM2-2087-000CN	Covers (MFP models) on page 1187
Cover, top front assembly (wireless model) (MFP)	RM2-0834-000CN	Covers (MFP models) on page 1187
Cover, top rear (SFP)	RC4-8057-000CN	Covers (SFP models) on page 1185
Cover, USB (MFP) USB models	RC4-8021-000CN	Covers (MFP models) on page 1187
Cover, USB (MFP) USB/LAN models	RC4-8020-000CN	Covers (MFP models) on page 1187
Cover, USB (MFP) USB/LAN/FAX models	RC4-8019-000CN	Covers (MFP models) on page 1187
Door, cartridge (M203; SFP)	RL2-5011-000CN	Covers (SFP models) on page 1185
Door, cartridge (M206; SFP)	RL2-5018-000CN	Covers (SFP models) on page 1185
Door, cartridge (MFP)	RL2-5012-000CN	Covers (MFP models) on page 1187
Door, duplexing assembly (MFP)	RM2-0809-000CN	Covers (MFP models) on page 1187
Door, duplexing assembly (SFP)	RM2-0809-000CN	Covers (SFP models) on page 1185
Duplex paper feed assembly (MFP)	RM2-2086-000CN	Internal components, printer base (3 of 3; MFP)¹ on page 1199
Duplex paper feed assembly (SFP)	RM2-2086-000CN	Internal components, printer base (3 of 3; SFP)¹ on page 1193
Engine control unit (ECU) PCA (MFP)	RM2-8334-000CN	Internal components, printer base (1 of 3; MFP)¹ on page 1195
Engine control unit (ECU) PCA (SFP)	RM2-8334-000CN	Internal components, printer base (1 of 3; SFP)¹ on page 1189
Fan (MFP)	RK2-1378-000CN	Internal components, printer base (3 of 3; MFP)¹ on page 1199
Fan (SFP)	RK2-1378-000CN	Internal components, printer base (3 of 3; SFP)¹ on page 1193
Fax board (EU) (fax models only; MFP)	G3Q61-60001	Internal components, printer base (1 of 3; MFP)¹ on page 1195

Table 2-12 Alphabetical parts list (continued)

Description	Part number	Table and page
Fax board (WW) (fax models only; MFP)	G3Q60-60001	Internal components, printer base (1 of 3; MFP)¹ on page 1195
Fixing (fuser) assembly (110-120V) (MFP)	RM2-0805-000CN	Internal components, printer base (2 of 3; MFP)¹ on page 1197
Fixing (fuser) assembly (110-120V) (SFP)	RM2-0805-000CN	Internal components, printer base (2 of 3; SFP)¹ on page 1191
Fixing (fuser) assembly (220-240V) (MFP)	RM2-0806-000CN	Internal components, printer base (2 of 3; MFP)¹ on page 1197
Fixing (fuser) assembly (220-240V) (SFP)	RM2-0806-000CN	Internal components, printer base (2 of 3; SFP)¹ on page 1191
Fixing (fuser) film assembly (110-120V) (MFP)	RM2-0814-000CN	Internal components, printer base (2 of 3; MFP)¹ on page 1197
Fixing (fuser) film assembly (110-120V) (SFP)	RM2-0814-000CN	Internal components, printer base (2 of 3; SFP)¹ on page 1191
Fixing (fuser) film assembly (220-240V) (MFP)	RM2-0815-000CN	Internal components, printer base (2 of 3; MFP)¹ on page 1197
Fixing (fuser) film assembly (220-240V) (SFP)	RM2-0815-000CN	Internal components, printer base (2 of 3; SFP)¹ on page 1191
Formatter assembly (base model; SFP)	G3Q47-60001	Internal components, printer base (1 of 3; SFP)¹ on page 1189
Formatter assembly (wireless model; SFP)	G3Q50-60001	Internal components, printer base (1 of 3; SFP)¹ on page 1189
Formatter assembly (with Fax; MFP)	G3Q75-60001	Internal components, printer base (1 of 3; MFP)¹ on page 1195
Formatter assembly (without Fax; MFP)	G3Q74-60001	Internal components, printer base (1 of 3; MFP)¹ on page 1195
Frame, control panel (adaptor) (M227d/sdn/fdn, M230sdn)	RC4-8125-000CN	Covers (MFP models) on page 1187
Guide, end (MFP)	RL2-5016-000CN	Internal components, printer base (3 of 3; MFP)¹ on page 1199
Guide, end (SFP)	RL2-5016-000CN	Internal components, printer base (3 of 3; SFP)¹ on page 1193
Guide, feed front (MFP)	RC4-7985-000CN	Covers (MFP models) on page 1187
Guide, feed front (SFP)	RC4-7985-000CN	Covers (SFP models) on page 1185
Hinge assembly (MFP)	RM2-1182-000CN	Covers (MFP models) on page 1187
Holder, Wi-Fi PCA (MFP)	RC5-0500-000CN	Internal components, printer base (1 of 3; MFP)¹ on page 1195
Holder, Wi-Fi PCA (SFP)	RC4-7851-000CN	Internal components, printer base (1 of 3; SFP)¹ on page 1189

Table 2-12 Alphabetical parts list (continued)

Description	Part number	Table and page
Input tray, document feeder (M227)	RM2-1181-000CN	4-in-1 scanner assembly on page 1181
Input tray, document feeder (M230)	RM2-1665-000CN	4-in-1 scanner assembly on page 1181
Laser scanner assembly (MFP)	RM2-6911-000CN	Internal components, printer base (2 of 3; MFP)¹ on page 1197
Laser scanner assembly (SFP)	RM2-6911-000CN	Internal components, printer base (2 of 3; SFP)¹ on page 1191
Lid, 3-in-1 scanner assembly	RM2-6982-000CN	3-in-1 scanner assembly on page 1183
Low-voltage power supply (LVPS) (110-127V) (MFP)	RM2-0840-000CN	Internal components, printer base (1 of 3; MFP)¹ on page 1195
Low-voltage power supply (LVPS) (110-127V) (SFP)	RM2-0837-000CN	Internal components, printer base (1 of 3; SFP)¹ on page 1189
Low-voltage power supply (LVPS) (220-240V; China) (MFP)	RM2-0842-000CN	Internal components, printer base (1 of 3; MFP)¹ on page 1195
Low-voltage power supply (LVPS) (220-240V; China) (SFP)	RM2-0839-000CN	Internal components, printer base (1 of 3; SFP)¹ on page 1189
Low-voltage power supply (LVPS) (220-240V; except China) (MFP)	RM2-0841-000CN	Internal components, printer base (1 of 3; MFP)¹ on page 1195
Low-voltage power supply (LVPS) (220-240V; except China) (SFP)	RM2-0838-000CN	Internal components, printer base (1 of 3; SFP)¹ on page 1189
Motor PCA (MFP)	RM2-8351-000CN	Internal components, printer base (2 of 3; MFP)¹ on page 1197
Motor PCA (SFP)	RM2-8351-000CN	Internal components, printer base (2 of 3; SFP)¹ on page 1191
NFC module	BK493-60001	Internal components, printer base (1 of 3; MFP)¹ on page 1195
Pad, separation holder assembly (MFP)	RM2-0812-000CN	Internal components, printer base (2 of 3; MFP)¹ on page 1197
Pad, separation holder assembly (SFP)	RM2-0812-000CN	Internal components, printer base (2 of 3; SFP)¹ on page 1191
Paper pickup sensor PCA assembly (MFP)	RM2-8377-0000CN	Internal components, printer base (2 of 3; MFP)¹ on page 1197
Paper pickup sensor PCA assembly (SFP)	RM2-8377-000CN	Internal components, printer base (2 of 3; SFP)¹ on page 1191
PCA, front USB	CF368-60001	Internal components, printer base (1 of 3; MFP)¹ on page 1195
Pre-pick arm assembly	RM2-1187-000CN	4-in-1 scanner assembly on page 1181
Roller, paper pickup (MFP)	RL1-2593-000CN	Internal components, printer base (2 of 3; MFP)¹ on page 1197

Table 2-12 Alphabetical parts list (continued)

Description	Part number	Table and page
Roller, paper pickup (SFP)	RL1-2593-000CN	Internal components, printer base (2 of 3; SFP)¹ on page 1191
Roller, transfer (MFP)	RM2-1660-000CN	Internal components, printer base (2 of 3; MFP)¹ on page 1197
Roller, transfer (SFP)	RM2-1660-000CN	Internal components, printer base (2 of 3; SFP)¹ on page 1191
Sensor, delivery PCA (MFP)	RM2-8378-000CN	Internal components, printer base (2 of 3; MFP)¹ on page 1197
Sensor, delivery PCA (SFP)	RM2-8378-000CN	Internal components, printer base (2 of 3; SFP)¹ on page 1191
Sensor, environmental PCA (MFP)	RM2-8376-000CN	Internal components, printer base (2 of 3; MFP)¹ on page 1197
Sensor, environmental PCA (SFP)	RM2-8376-000CN	Internal components, printer base (2 of 3; SFP)¹ on page 1191
Sheet plate assembly	RM2-1185-000CN	4-in-1 scanner assembly on page 1181
Solenoid (MFP)	RK2-7601-000CN	Internal components, printer base (3 of 3; MFP)¹ on page 1199
Solenoid (SFP)	RK2-7601-000CN	Internal components, printer base (3 of 3; SFP)¹ on page 1193
Switch, power PCA (MFP)	RM2-8273-000CN	Covers (MFP models) on page 1187
Switch, power PCA (SFP)	RM2-8273-000CN	Covers (SFP models) on page 1185
Transfer assembly (MFP)	RM2-0843-000CN	Internal components, printer base (2 of 3; MFP)¹ on page 1197
Transfer assembly (SFP)	RM2-0843-000CN	Internal components, printer base (2 of 3; SFP)¹ on page 1191
Wi-Fi board (wireless models only; MFP)	0960-3662	Internal components, printer base (1 of 3; MFP)¹ on page 1195
Wi-Fi PCA (SFP)	0960-3662	Internal components, printer base (1 of 3; SFP)¹ on page 1189

Numerical parts list

Table 2-13 Numerical parts list

Part number	Description	Table and page
0960-3662	Wi-Fi PCA (SFP)	Internal components, printer base (1 of 3; SFP)¹ on page 1189
0960-3662	Wi-Fi board (wireless models only; MFP)	Internal components, printer base (1 of 3; MFP)¹ on page 1195
BK493-60001	NFC module	Internal components, printer base (1 of 3; MFP)¹ on page 1195
CF368-60001	PCA, front USB	Internal components, printer base (1 of 3; MFP)¹ on page 1195
G3Q47-60001	Formatter assembly (base model; SFP)	Internal components, printer base (1 of 3; SFP)¹ on page 1189
G3Q50-60001	Formatter assembly (wireless model; SFP)	Internal components, printer base (1 of 3; SFP)¹ on page 1189
G3Q60-60001	Fax board (WW) (fax models only; MFP)	Internal components, printer base (1 of 3; MFP)¹ on page 1195
G3Q61-60001	Fax board (EU) (fax models only; MFP)	Internal components, printer base (1 of 3; MFP)¹ on page 1195
G3Q74-60001	Formatter assembly (without Fax; MFP)	Internal components, printer base (1 of 3; MFP)¹ on page 1195
G3Q74-60101	Control panel, 2-Line LCD (M227d/sdn; MFP)	Covers (MFP models) on page 1187
G3Q74-60103	Control panel, touchscreen (M227fdw, M230fdw; MFP)	Covers (MFP models) on page 1187
G3Q75-60001	Formatter assembly (with Fax; MFP)	Internal components, printer base (1 of 3; MFP)¹ on page 1195
G3Q76-60101	Control panel, 2-Line LCD (M230sdn; MFP)	Covers (MFP models) on page 1187
G3Q79-60102	Control panel, 2-Line LCD (M230fdn; MFP)	Covers (MFP models) on page 1187
RC4-7851-000CN	Holder, Wi-Fi PCA (SFP)	Internal components, printer base (1 of 3; SFP)¹ on page 1189
RC4-7985-000CN	Guide, feed front (SFP)	Covers (SFP models) on page 1185
RC4-7985-000CN	Guide, feed front (MFP)	Covers (MFP models) on page 1187
RC4-8019-000CN	Cover, USB (MFP) USB/LAN/FAX models	Covers (MFP models) on page 1187
RC4-8020-000CN	Cover, USB (MFP) USB/LAN models	Covers (MFP models) on page 1187
RC4-8021-000CN	Cover, USB (MFP) USB models	Covers (MFP models) on page 1187

Table 2-13 Numerical parts list (continued)

Part number	Description	Table and page
RC4-8057-000CN	Cover, top rear (SFP)	Covers (SFP models) on page 1185
RC4-8058-000CN	Cover, right (SFP)	Covers (SFP models) on page 1185
RC4-8059-000CN	Cover, front (no power switch) (SFP)	Covers (SFP models) on page 1185
RC4-8067-000CN	Cover, right (MFP)	Covers (MFP models) on page 1187
RC4-8068-000CN	Cover, front (no power switch) (MFP)	Covers (MFP models) on page 1187
RC4-8070-000CN	Cover, left (MFP)	Covers (MFP models) on page 1187
RC4-8125-000CN	Frame, control panel (adaptor) (M227d/sdn/fdn, M230sdn)	Covers (MFP models) on page 1187
RC5-0436-000CN	Cover, cable (MFP)	Covers (MFP models) on page 1187
RC5-0437-000CN	Cap, FAX	Covers (MFP models) on page 1187
RC5-0500-000CN	Holder, Wi-Fi PCA (MFP)	Internal components, printer base (1 of 3; MFP)¹ on page 1195
RC5-3760-000CN	Cover, frame (MFP)	Covers (MFP models) on page 1187
RK2-1378-000CN	Fan (SFP)	Internal components, printer base (3 of 3; SFP)¹ on page 1193
RK2-1378-000CN	Fan (MFP)	Internal components, printer base (3 of 3; MFP)¹ on page 1199
RK2-7601-000CN	Solenoid (SFP)	Internal components, printer base (3 of 3; SFP)¹ on page 1193
RK2-7601-000CN	Solenoid (MFP)	Internal components, printer base (3 of 3; MFP)¹ on page 1199
RK2-8416-000CN	Cable, flat flexible (SFP)	Internal components, printer base (1 of 3; SFP)¹ on page 1189
RK2-8419-000CN	Cable, flat flexible (MFP)	Internal components, printer base (1 of 3; MFP)¹ on page 1195
RK2-8440-000CN	Cable, flat flexible (USB/LAN/FAX model) (MFP)	Internal components, printer base (1 of 3; MFP)¹ on page 1195
RK2-8510-000CN	Cable, flat flexible (SFP)	Internal components, printer base (1 of 3; SFP)¹ on page 1189
RK2-8510-000CN	Cable, flat flexible (MFP)	Internal components, printer base (1 of 3; MFP)¹ on page 1195
RK2-8513-000CN	Cable, flat flexible (SFP)	Internal components, printer base (1 of 3; SFP)¹ on page 1189

Table 2-13 Numerical parts list (continued)

Part number	Description	Table and page
RK2-8513-000CN	Cable, flat flexible (MFP)	Internal components, printer base (1 of 3; MFP)¹ on page 1195
RK2-8522-000CN	Cable, flat flexible (SFP)	Internal components, printer base (1 of 3; SFP)¹ on page 1189
RL1-2593-000CN	Roller, paper pickup (SFP)	Internal components, printer base (2 of 3; SFP)¹ on page 1191
RL1-2593-000CN	Roller, paper pickup (MFP)	Internal components, printer base (2 of 3; MFP)¹ on page 1197
RL2-1661-000CN	Button, switch (MFP)	Covers (MFP models) on page 1187
RL2-1664-000CN	Button, switch (SFP)	Covers (SFP models) on page 1185
RL2-2925-000CN	Cover, left (SFP)	Covers (SFP models) on page 1185
RL2-2927-000CN	Cover, top (MFP)	Covers (MFP models) on page 1187
RL2-5011-000CN	Door, cartridge (M203; SFP)	Covers (SFP models) on page 1185
RL2-5012-000CN	Door, cartridge (MFP)	Covers (MFP models) on page 1187
RL2-5015-000CN	Cover, multipurpose (SFP)	Covers (SFP models) on page 1185
RL2-5015-000CN	Cover, multipurpose (MFP)	Covers (MFP models) on page 1187
RL2-5016-000CN	Guide, end (SFP)	Internal components, printer base (3 of 3; SFP)¹ on page 1193
RL2-5016-000CN	Guide, end (MFP)	Internal components, printer base (3 of 3; MFP)¹ on page 1199
RL2-5018-000CN	Door, cartridge (M206; SFP)	Covers (SFP models) on page 1185
RM2-0805-000CN	Fixing (fuser) assembly (110-120V) (SFP)	Internal components, printer base (2 of 3; SFP)¹ on page 1191
RM2-0805-000CN	Fixing (fuser) assembly (110-120V) (MFP)	Internal components, printer base (2 of 3; MFP)¹ on page 1197
RM2-0806-000CN	Fixing (fuser) assembly (220-240V) (SFP)	Internal components, printer base (2 of 3; SFP)¹ on page 1191
RM2-0806-000CN	Fixing (fuser) assembly (220-240V) (MFP)	Internal components, printer base (2 of 3; MFP)¹ on page 1197
RM2-0809-000CN	Door, duplexing assembly (SFP)	Covers (SFP models) on page 1185
RM2-0809-000CN	Door, duplexing assembly (MFP)	Covers (MFP models) on page 1187

Table 2-13 Numerical parts list (continued)

Part number	Description	Table and page
RM2-0812-000CN	Pad, separation holder assembly (SFP)	Internal components, printer base (2 of 3; SFP)¹ on page 1191
RM2-0812-000CN	Pad, separation holder assembly (MFP)	Internal components, printer base (2 of 3; MFP)¹ on page 1197
RM2-0814-000CN	Fixing (fuser) film assembly (110–120V) (SFP)	Internal components, printer base (2 of 3; SFP)¹ on page 1191
RM2-0814-000CN	Fixing (fuser) film assembly (110–120V) (MFP)	Internal components, printer base (2 of 3; MFP)¹ on page 1197
RM2-0815-000CN	Fixing (fuser) film assembly (220–240V) (SFP)	Internal components, printer base (2 of 3; SFP)¹ on page 1191
RM2-0815-000CN	Fixing (fuser) film assembly (220–240V) (MFP)	Internal components, printer base (2 of 3; MFP)¹ on page 1197
RM2-0816-000CN	Cover, front assembly (SFP)	Covers (SFP models) on page 1185
RM2-0822-000CN	Cover, front top assembly (network model) (M203; SFP)	Covers (SFP models) on page 1185
RM2-0823-000CN	Cover, front top assembly (wireless model) (M203; SFP)	Covers (SFP models) on page 1185
RM2-0824-000CN	Control panel assembly (non—wireless model) (M203; SFP)	Covers (SFP models) on page 1185
RM2-0825-000CN	Control panel assembly (wireless model) (M203; SFP)	Covers (SFP models) on page 1185
RM2-0826-000CN	Cover, front (except wireless model; no USB port) (MFP)	Covers (MFP models) on page 1187
RM2-0827-000CN	Cover, front (wireless model; USB port) (MFP)	Covers (MFP models) on page 1187
RM2-0834-000CN	Cover, top front assembly (wireless model) (MFP)	Covers (MFP models) on page 1187
RM2-0837-000CN	Low-voltage power supply (LVPS) (110–127V) (SFP)	Internal components, printer base (1 of 3; SFP)¹ on page 1189
RM2-0838-000CN	Low-voltage power supply (LVPS) (220–240V; except China) (SFP)	Internal components, printer base (1 of 3; SFP)¹ on page 1189
RM2-0839-000CN	Low-voltage power supply (LVPS) (220–240V; China) (SFP)	Internal components, printer base (1 of 3; SFP)¹ on page 1189
RM2-0840-000CN	Low-voltage power supply (LVPS) (110–127V) (MFP)	Internal components, printer base (1 of 3; MFP)¹ on page 1195
RM2-0841-000CN	Low-voltage power supply (LVPS) (220–240V; except China) (MFP)	Internal components, printer base (1 of 3; MFP)¹ on page 1195
RM2-0842-000CN	Low-voltage power supply (LVPS) (220–240V; China) (MFP)	Internal components, printer base (1 of 3; MFP)¹ on page 1195
RM2-0843-000CN	Transfer assembly (SFP)	Internal components, printer base (2 of 3; SFP)¹ on page 1191

Table 2-13 Numerical parts list (continued)

Part number	Description	Table and page
RM2-0843-000CN	Transfer assembly (MFP)	Internal components, printer base (2 of 3; MFP)¹ on page 1197
RM2-1179-000CN	Automatic document feeder (M227)	4-in-1 scanner assembly on page 1181
RM2-1180-000CN	Cover, document feeder top	4-in-1 scanner assembly on page 1181
RM2-1181-000CN	Input tray, document feeder (M227)	4-in-1 scanner assembly on page 1181
RM2-1182-000CN	Hinge assembly (MFP)	Covers (MFP models) on page 1187
RM2-1183-000CN	ADF base	4-in-1 scanner assembly on page 1181
RM2-1184-000CN	Core assembly, ADF	4-in-1 scanner assembly on page 1181
RM2-1185-000CN	Sheet plate assembly	4-in-1 scanner assembly on page 1181
RM2-1187-000CN	Pre-pick arm assembly	4-in-1 scanner assembly on page 1181
RM2-1660-000CN	Roller, transfer (SFP)	Internal components, printer base (2 of 3; SFP)¹ on page 1191
RM2-1660-000CN	Roller, transfer (MFP)	Internal components, printer base (2 of 3; MFP)¹ on page 1197
RM2-1664-000CN	Automatic document feeder (M230)	4-in-1 scanner assembly on page 1181
RM2-1665-000CN	Input tray, document feeder (M230)	4-in-1 scanner assembly on page 1181
RM2-2082-000CN	Cover, front top assembly (no LED) (M203; SFP)	Covers (SFP models) on page 1185
RM2-2083-000CN	Cover, front top assembly (network model) (M206; SFP)	Covers (SFP models) on page 1185
RM2-2084-000CN	Cover, front top assembly (no LED) (M206; SFP)	Covers (SFP models) on page 1185
RM2-2085-000CN	Control panel assembly (M206; SFP)	Covers (SFP models) on page 1185
RM2-2086-000CN	Duplex paper feed assembly (SFP)	Internal components, printer base (3 of 3; SFP)¹ on page 1193
RM2-2086-000CN	Duplex paper feed assembly (MFP)	Internal components, printer base (3 of 3; MFP)¹ on page 1199
RM2-2087-000CN	Cover, top front assembly (except wireless model) (MFP)	Covers (MFP models) on page 1187
RM2-6911-000CN	Laser scanner assembly (SFP)	Internal components, printer base (2 of 3; SFP)¹ on page 1191

Table 2-13 Numerical parts list (continued)

Part number	Description	Table and page
RM2-6911-000CN	Laser scanner assembly (MFP)	Internal components, printer base (2 of 3; MFP)¹ on page 1197
RM2-6982-000CN	Lid, 3-in-1 scanner assembly	3-in-1 scanner assembly on page 1183
RM2-6983-000CN	3-in-1 scanner assembly	3-in-1 scanner assembly on page 1183
RM2-6989-000CN	4-in-1 scanner assembly	4-in-1 scanner assembly on page 1181
RM2-8273-000CN	Switch, power PCA (SFP)	Covers (SFP models) on page 1185
RM2-8273-000CN	Switch, power PCA (MFP)	Covers (MFP models) on page 1187
RM2-8334-000CN	Engine control unit (ECU) PCA (SFP)	Internal components, printer base (1 of 3; SFP)¹ on page 1189
RM2-8334-000CN	Engine control unit (ECU) PCA (MFP)	Internal components, printer base (1 of 3; MFP)¹ on page 1195
RM2-8351-000CN	Motor PCA (SFP)	Internal components, printer base (2 of 3; SFP)¹ on page 1191
RM2-8351-000CN	Motor PCA (MFP)	Internal components, printer base (2 of 3; MFP)¹ on page 1197
RM2-8376-000CN	Sensor, environmental PCA (SFP)	Internal components, printer base (2 of 3; SFP)¹ on page 1191
RM2-8376-000CN	Sensor, environmental PCA (MFP)	Internal components, printer base (2 of 3; MFP)¹ on page 1197
RM2-8377-0000CN	Paper pickup sensor PCA assembly (MFP)	Internal components, printer base (2 of 3; MFP)¹ on page 1197
RM2-8377-000CN	Paper pickup sensor PCA assembly (SFP)	Internal components, printer base (2 of 3; SFP)¹ on page 1191
RM2-8378-000CN	Sensor, delivery PCA (SFP)	Internal components, printer base (2 of 3; SFP)¹ on page 1191
RM2-8378-000CN	Sensor, delivery PCA (MFP)	Internal components, printer base (2 of 3; MFP)¹ on page 1197

