
4 Parts and diagrams

- [Order parts, accessories, and supplies](#)
- [Part numbers](#)
- [Screws](#)
- [How to use the parts lists and diagrams](#)
- [External covers, panels, and doors](#)
- [Right door assembly](#)
- [Front door assembly](#)
- [Internal components](#)
- [Assessories](#)
- [Alphabetical parts list](#)
- [Numerical parts list](#)

Order parts, accessories, and supplies

You can obtain the following items directly from HP:

- **Replacement parts:** To order replacement parts in the U.S., go to www.hp.com/go/hpparts/. Outside the United States, order parts by contacting your local authorized HP service center.
- **Supplies and accessories:** To order supplies in the U.S., go to www.hp.com/go/ljsupplies. To order supplies worldwide, go to www.hp.com/ghp/buyonline.html. To order accessories, go to www.hp.com/support/cljcp4025 or www.hp.com/support/cljcp4525.

Part numbers

The following list of accessories was current at the time of printing. Ordering information and availability of the accessories might change during the life of the product.

Accessories

Product name	Product number	Part number
HP Color LaserJet 1 x 500 Paper Feeder and stand	CC422A	CC493-67902
HP Color LaserJet 3 x 500 Paper Feeder and stand	CC423A	CC493-67903
HP Postcard media insert tray	CC497A	CC497-67902

Print cartridges and toner collection unit

Product name ¹	Product number	Part number
HP Color LaserJet standard black print cartridge (11K)	CE260A	CE260-67901
HP Color LaserJet high capacity black print cartridge (16K)	CE260X	CE264-67901
HP Color LaserJet cyan print cartridge	CE261A	CE261-67901
HP Color LaserJet yellow print cartridge	CE262A	CE262-67901
HP Color LaserJet magenta print cartridge	CE263A	CE263-67901

¹ For more information, go to www.hp.com/go/learnaboutsupplies

Memory

Product name	Product number	Part number
200-pin DDR2 SODIMM x64 memory module (256MB)	CE466A	CC493-67904
200-pin DDR2 SODIMM x64 memory module (512MB)	CE467A	CC493-67905

Cables and interfaces

Product name	Product number	Part number
Enhanced I/O (EIO) card	J7961G	
USB cable 2 meter standard	Q6264A	

Customer self repair (CSR) parts

Product name	Product number	Part number	Self-repair level
Formatter assembly kit		CC493-69001	1A
HP postcard media insert replacement		CC497-67902	1A
Feed and separation roller kit (Trays 2–5)		CC493-67907	1A
Includes 1 each, feed and separation rollers			
Secondary transfer (T2) roller kit		CC493-67908	1A
Tray 1 roller kit		CC493-67906	1A
Toner collection unit kit		CC493-67913	1A
Maintenance transfer kit	CE249A	CC493-67910	1A
Includes ITB, transfer roller (T2), tray 1 pickup roller, Trays 2-5 feed and separation rollers			
Repair transfer kit		CC493-67909	1A
Includes ITB and transfer roller (T2)			
110V fuser kit	CE246A	CC493-67911	1A
220V fuser kit	CE247A	CC493-67912	1A
Internal hard-disk drive kit		CC493-67901	1A
Fuser cleaning kit		CC468-67919	1A
Service manual		CC489-90936	1A

Service maintenance kits

Product name	Part number
Tray 1 separation pad	RL1-1937-000CN
Trays 2-5 pickup roller Qty. 1	RL1-2099-000CN

Table 4-1 Maintenance kits

Product name	Product number	Part number	Self-repair level
Fuser kit (110 V)	CE246A	CC493-67911	1A
Fuser kit (220 V)	CE247A	CC493-67912	1A
Transfer kit	CE249A	CC493-67910	1A
Includes ITB, transfer roller (T2), tray 1 pickup roller, Trays 2-5 feed and separation rollers			

Unique components

Use the following tables as a quick reference to identify component part numbers by product voltage, or function (simplex or duplex).

Table 4-2 110V and 220V unique components

Item	Part number
Fuser kit, 110 V	CC493-67911
Fuser kit, 220 V	CC493-67912
Low-voltage power supply, 110 V	RM1-5763-000CN
Low-voltage power supply, 220 V	RM1-5764-000CN


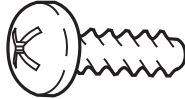

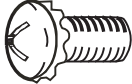
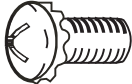
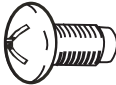
Table 4-3 Simplex and duplex unique components

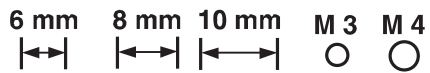
Item	Part number
Registration assembly kit, simplex	CC493-67916
Registration assembly kit, duplex	CC493-67917
Secondary transfer assembly kit, simplex	CC492-67902
Secondary transfer assembly kit, duplex	CC492-67901
Guide, paper feed, simplex	RC2-4566-000CN
Duplexing guide assembly, duplex	RM1-5531-000CN
Fuser drive assembly, simplex	RM1-6702-000CN
Fuser drive assembly, duplex	RM1-5656-000CN
Simplex delivery assembly kit	CC493-67918
Duplex delivery assembly kit	CC493-67919

Screws

NOTE: The screw illustrations in the following table are for reference only. Screws might vary in size and appearance from those shown in this table.

Table 4-4 Common fasteners

Example	Description	Size	Part Number
	Screw, with washer	M3X8	XA9-1420-000CN
	Screw, tapping, truss head	M4X10	XB4-7401-005CN
	Screw, tap	M3X6	XA9-1503-000CN
	Screw, D	M3X8	XA9-1671-000CN
	Screw, tooth washer	M4X6	XB2-7400-606CN
	Screw, step	Not applicable	RC3-0912-000CN



How to use the parts lists and diagrams

The figures in this chapter show the major subassemblies in the product and their component parts. A parts list table follows each exploded view assembly diagram. Each table lists the item number, the associated part number, and the description of each part. If a part is not listed in the table, then it is not a field replacement unit (FRU).

△ **CAUTION:** Be sure to order the correct part. When looking for part numbers for electrical components, pay careful attention to the voltage that is listed in the description column. Doing so will ensure that the part number selected is for the correct all-in-one model.

✍ **NOTE:** In this manual, the abbreviation “PCA” stands for “printed circuit-board assembly.” Components described as a PCA might consist of a single circuit board or a circuit board plus other parts, such as cables and sensors.

External covers, panels, and doors

Figure 4-1 External covers, panels, and doors

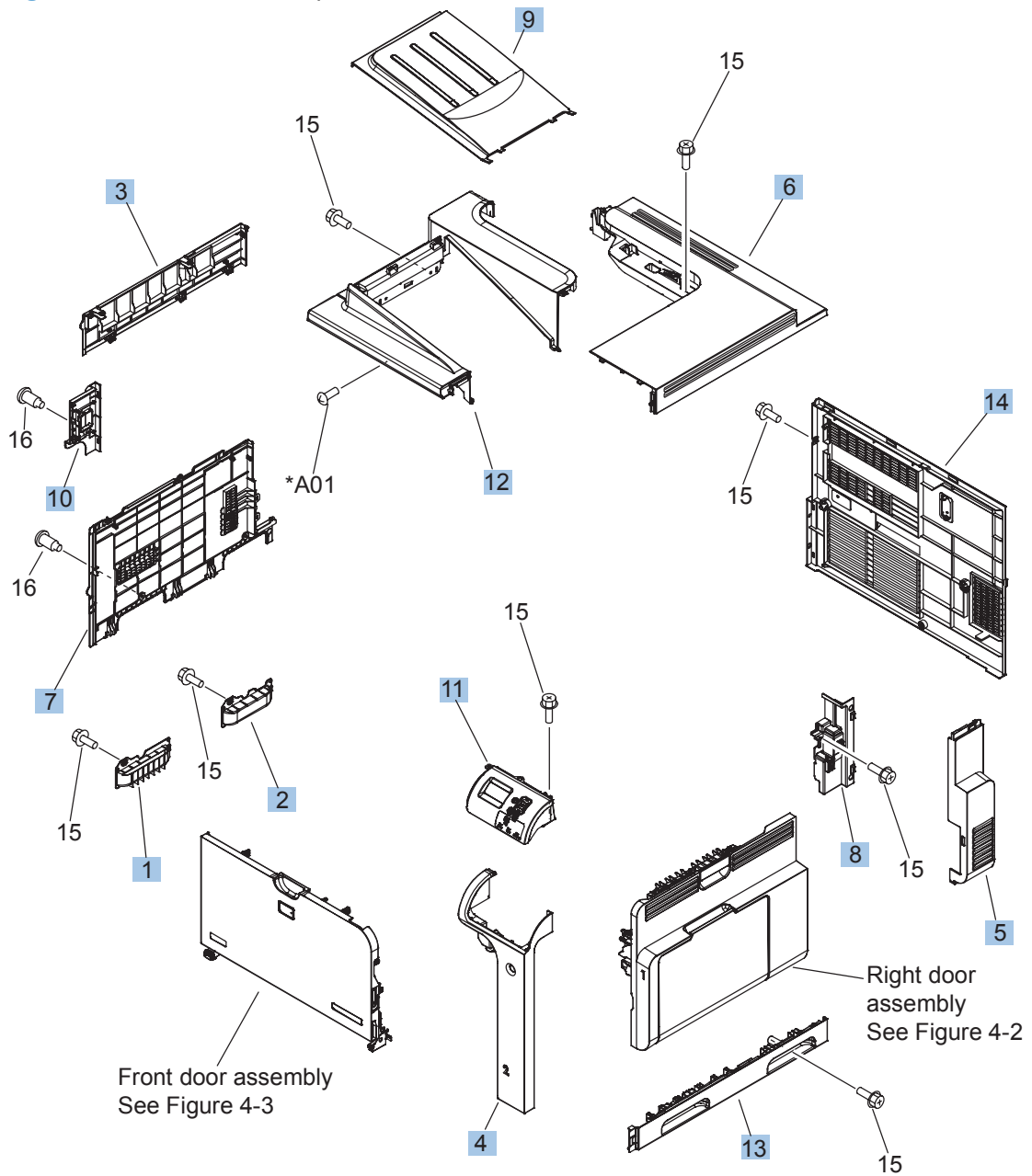


Table 4-5 External covers, panels, and doors;

Ref	Description	Part number	Qty
1	Grip, left front	RC2-4268-000CN	1
2	Grip, left rear	RC2-4269-000CN	1
3	Cover, left upper	RC2-4270-000CN	1
4	Cover, right front	RC2-4272-000CN	1
5	Cover, right rear	RC2-4273-000CN	1
6	Cover, upper	RC2-4276-000CN	1
7	Cover, left lower	RC2-4300-000CN	1
8	Cover, inner	RM1-5520-000CN	1
9	Tray, face-down swing	RC2-4547-000CN	1
10	Cover, left rear	RC2-8213-000CN	1
11	Control-panel assembly	RM1-5786-000CN	1
12	Face-down tray assembly	RM1-5494-000CN	1
13	Right handle cover assembly	RM1-5507-000CN	1
14	Rear cover assembly	RM1-5508-000CN	1

Right door assembly

Figure 4-2 Right door assembly

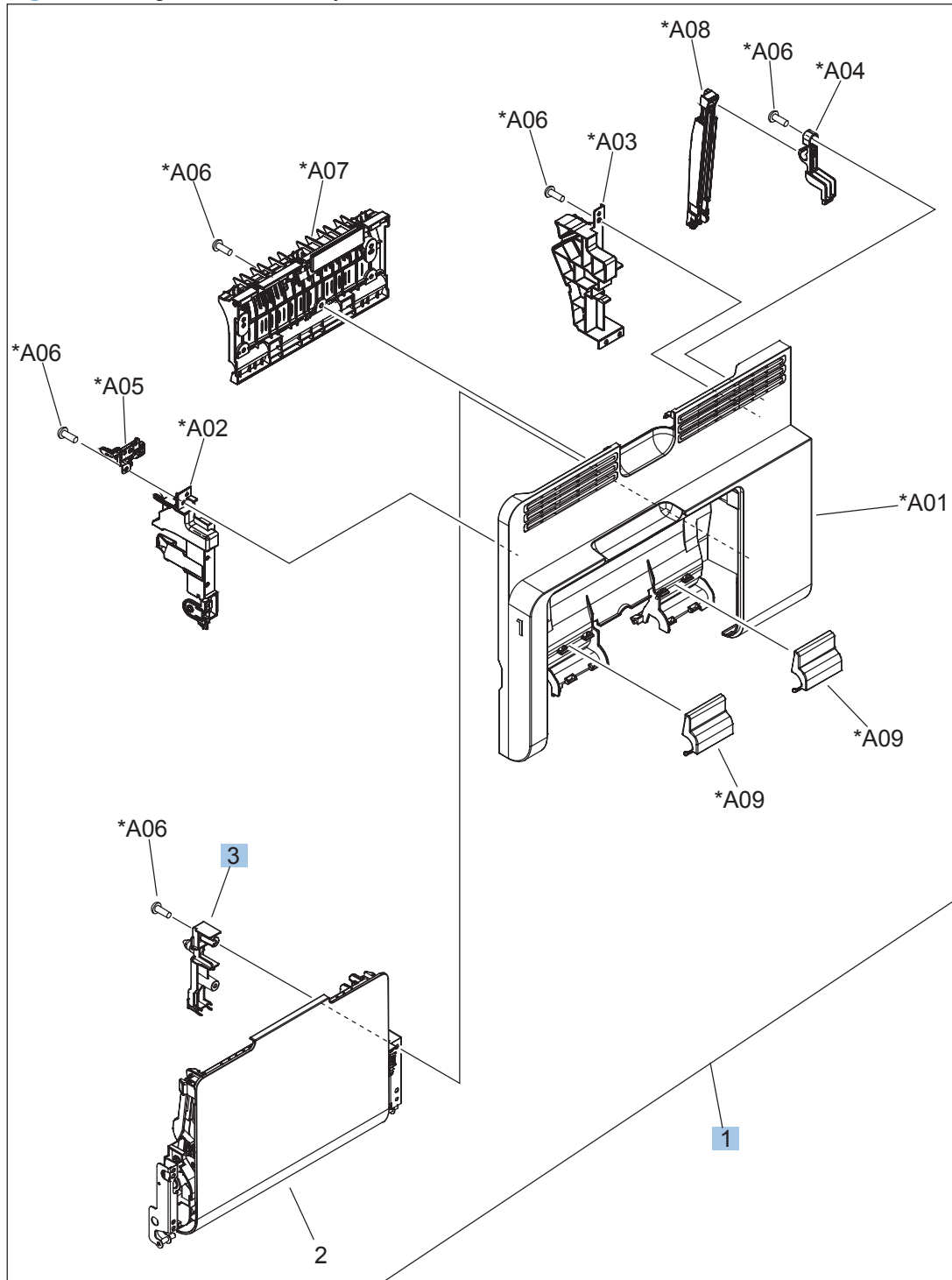


Table 4-6 Right door assembly

Ref	Description	Part number	Qty
1	Right door assembly	RM1-5509-000CN	1
3	Cover, M.P. crossmember R	RC2-4747-000CN	1

Front door assembly

Figure 4-3 Front door assembly

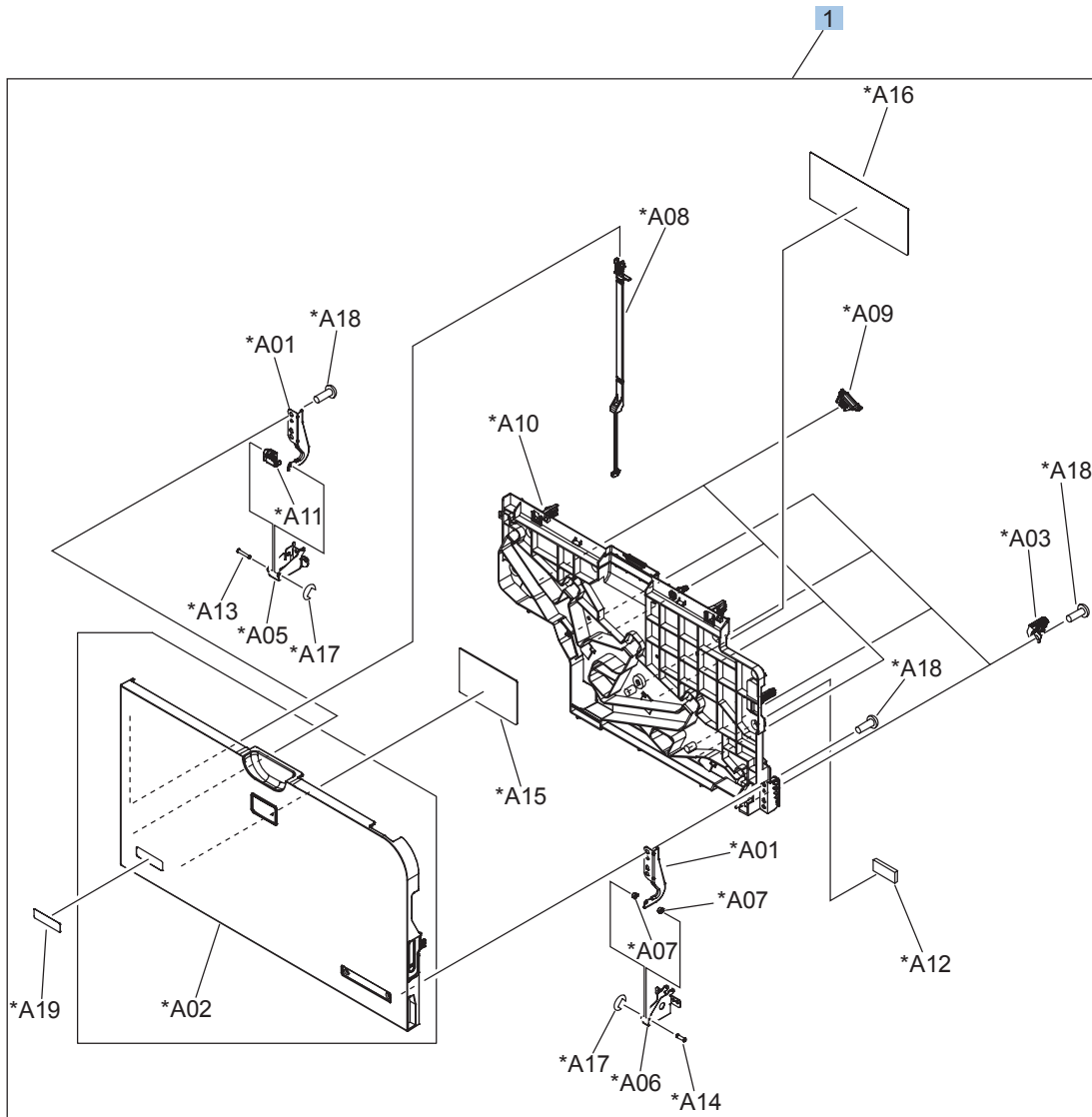


Table 4-7 Front door assembly

Ref	Description	Part number	Qty
1	Front door assembly	RM1-5506-000CN	1

Internal components

Internal components (1 of 7)

Figure 4-4 Internal components 1 of 7

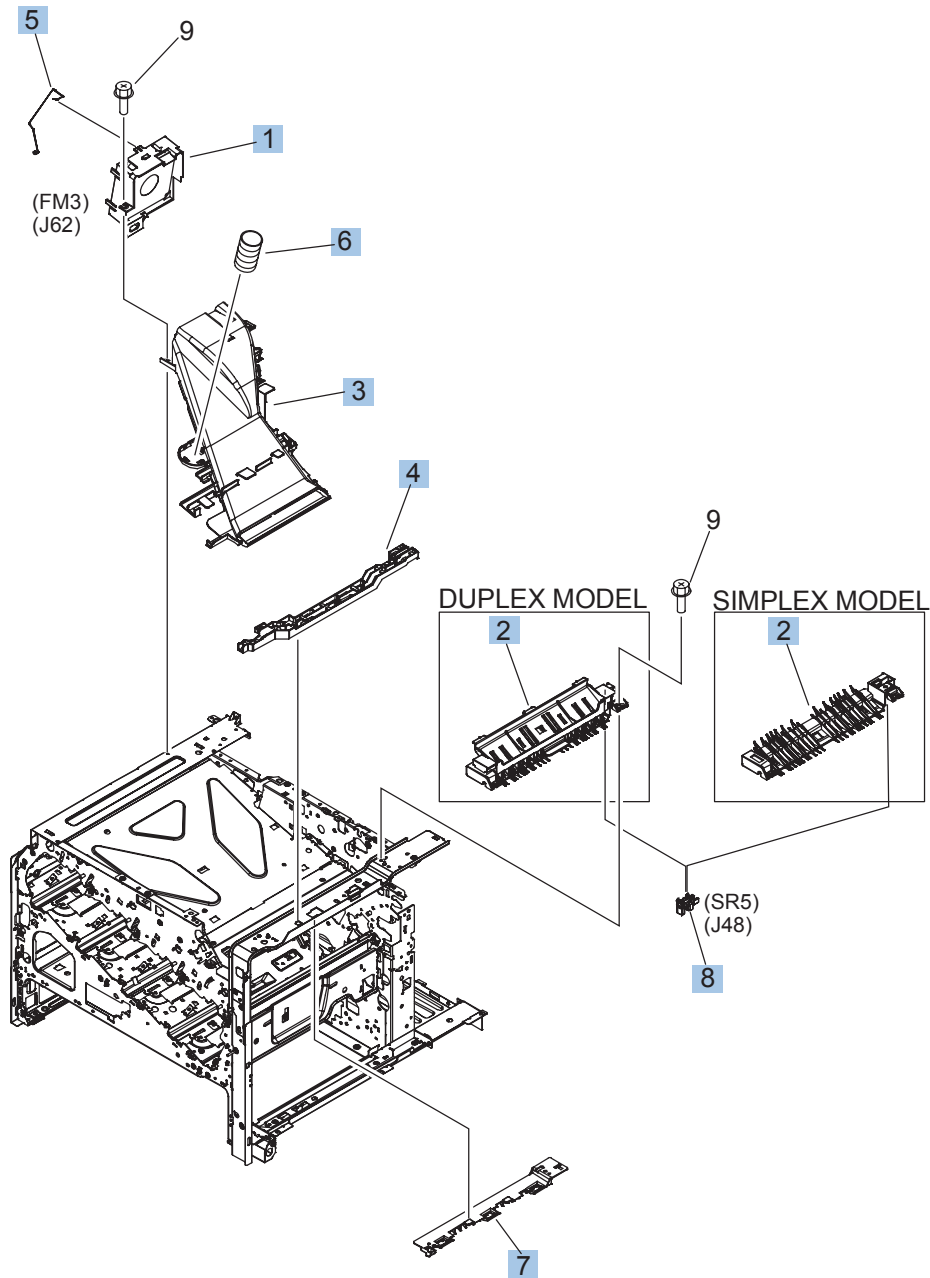


Table 4-8 Internal components (1 of 7)

Ref	Description	Part number	Qty
1	Paper delivery fan assembly	RM1-5501-000CN	1
2	Guide, paper feed, simplex	RC2-4566-000CN	1
2	Duplexing guide assembly, duplex	RM1-5531-000CN	1
3	Paper delivery fan duct assembly	RM1-5583-000CN	1
4	Holder, cable	RC2-3997-000CN	1
5	Rod, paper delivery fan	RC2-4070-000CN	1
6	Spring, compression	RU6-2310-000CN	1
7	Holder, right door handle	RC2-4573-000CN	1
8	Photo interrupter, TLP1243	WG8-5696-000CN	6

Internal components (2 of 7)

Figure 4-5 Internal components 2 of 7

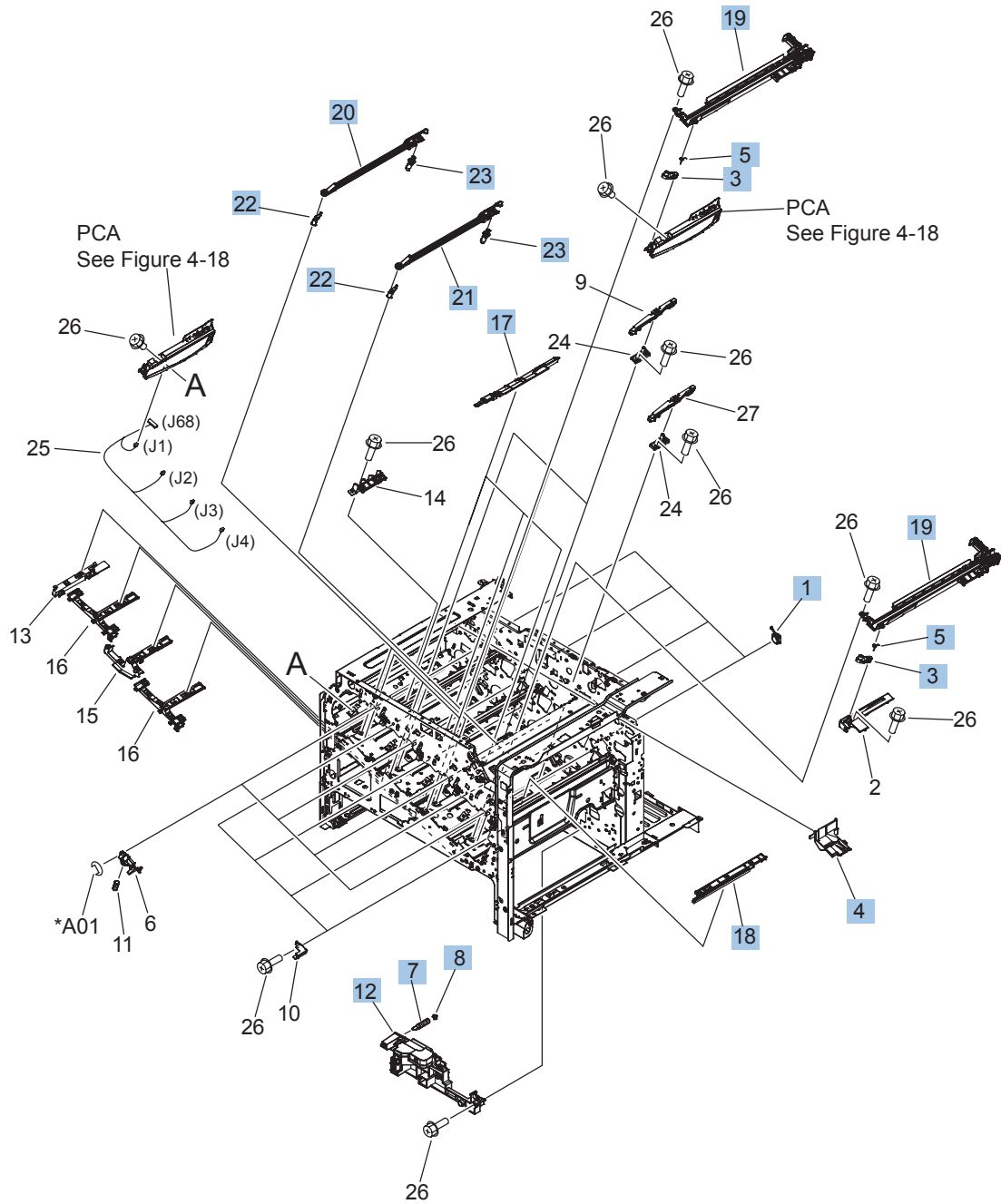


Table 4-9 Internal components (2 of 7)

Ref	Description	Part number	Qty
1	Bushing	RC2-9719-000CN	4
3	Lever, CRG. lock	RC2-3986-000CN	4
4	Tray, waste toner catch	RC2-4218-000CN	1
5	Spring, torsion	RU6-2247-000CN	4
7	Spring, grounding	RC2-4469-000CN	1
8	Bushing	RC2-4470-000CN	1
12	Lifter base assembly	RM1-5913-000CN	1
17	Cover	RC2-4403-000CN	3
18	Cover	RC2-5962-000CN	1
19	Crg. Guide lower assembly	RM1-5486-000CN	4
20	Shutter assembly	RM1-5488-000CN	2
21	Shutter assembly	RM1-5489-000CN	2
22	Shutter arm assembly	RM1-5585-000CN	4
23	Shutter arm assembly	RM1-5586-000CN	4

Internal components (3 of 7)

Figure 4-6 Internal components 3 of 7

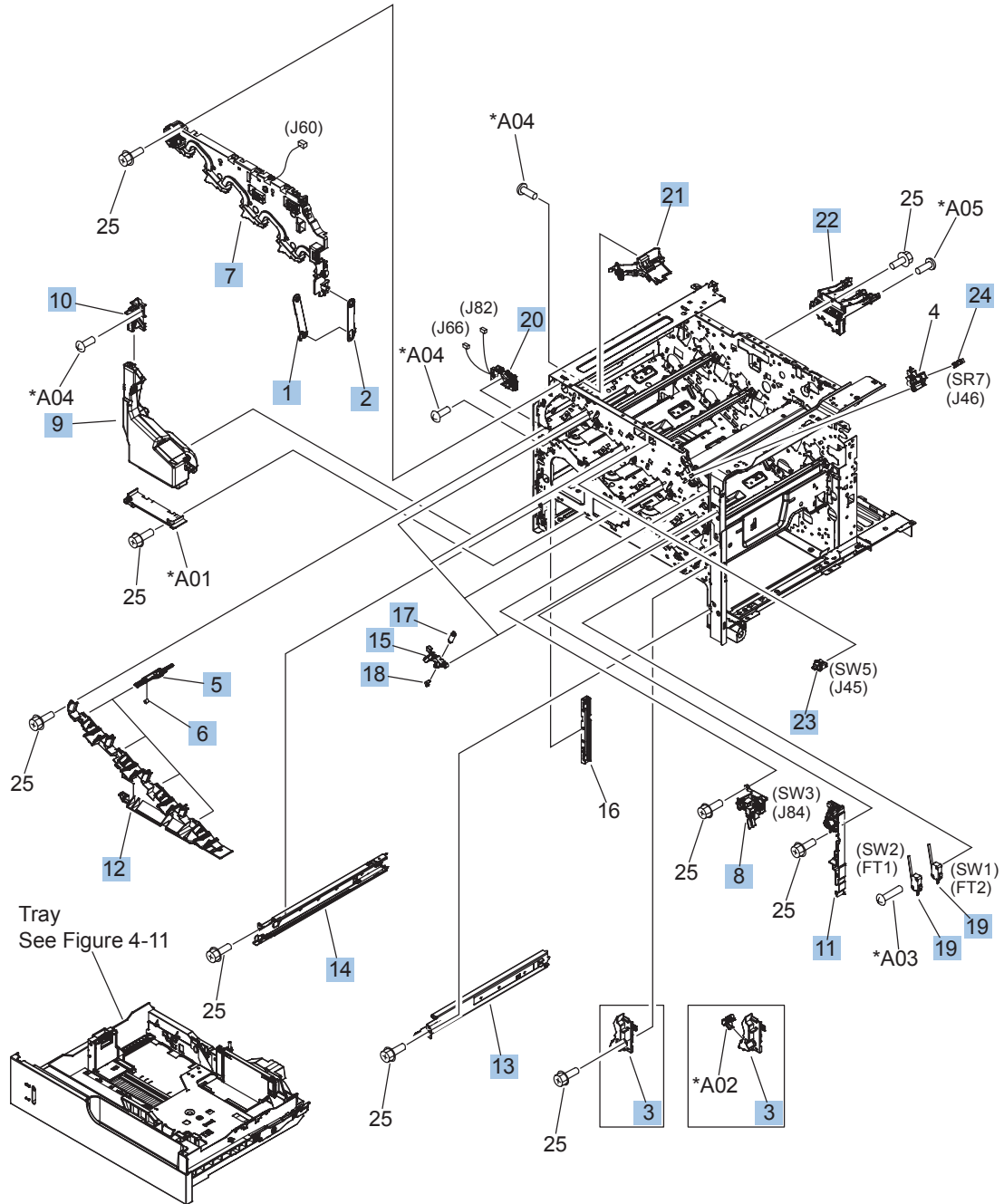


Table 4-10 Internal components (3 of 7)

Ref	Description	Part number	Qty
1	Hinge, front door	RC2-4291-000CN	1
2	Hinge, front door	RC2-4292-000CN	1
3	Cover	RC2-4308-000CN	1
5	Lever, shutter	RC2-4415-000CN	4
6	Spring, compression	RU6-2316-000CN	4
7	Front inner cover upper assembly	RM1-5495-000CN	1
8	Interlock assembly	RM1-5496-000CN	1
9	Waste toner collection kit (includes instructions and wipe)	CC493-67913	1
10	Waste toner duct assembly	RM1-5519-000CN	1
11	Power switch assembly	RM1-5582-000CN	1
12	Front inner cover lower assembly	RM1-5598-000CN	1
13	Cassette rail right assembly	RM1-6195-000CN	1
14	Cassette rail left assembly	RM1-6196-000CN	1
15	Lever, crg. pressure, front	RC2-3983-020CN	4
17	Spring, tension	RU6-2236-000CN	4
18	Spring, grounding	RU6-2237-000CN	4
19	Switch	WC4-5303-000CN	2
20	Waste toner detect assembly	RM1-5545-000CN	1
21	Waste toner paper feed assembly	RM1-5584-000CN	1
22	High voltage holder assembly	RM1-6694-000CN	1
23	Switch, push	WC2-5637-000CN	1
24	Photo interrupter	WG8-5696-000CN	1

Internal components (4 of 7)

Figure 4-7 Internal components 4 of 7

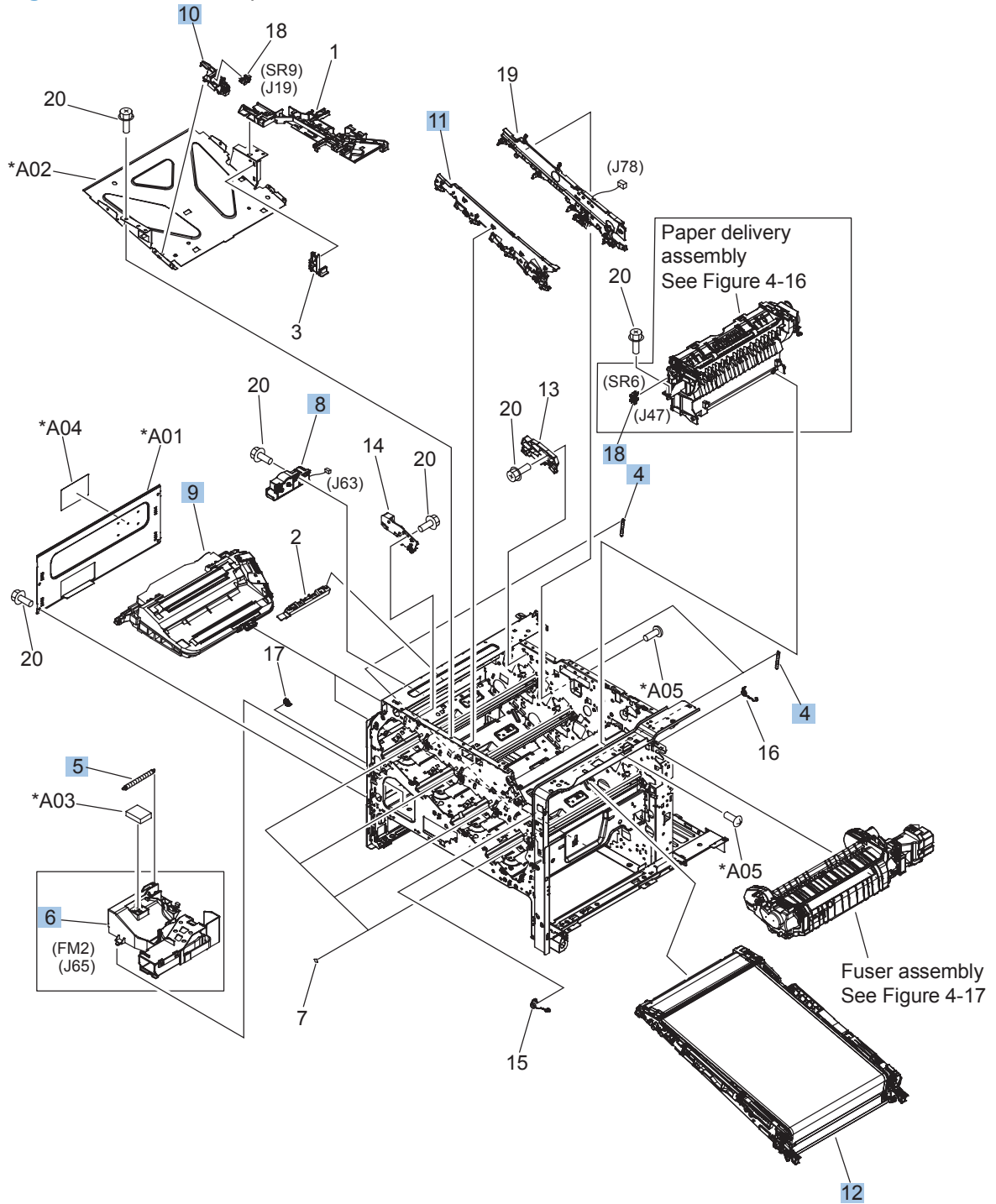


Table 4-11 Internal components (4 of 7)

Ref	Description	Part number	Qty
4	Spring, tension	RU6-2235-000CN	4
5	Spring, tension	RU6-2376-000CN	1
6	Cartridge fan assembly	RM1-5499-000CN	1
8	Waste toner motor assembly	RM1-5605-000CN	1
9	Laser scanner kit (includes instructions and one scanner assy.)	CC493-67914	2
10	Position detect assembly	RM1-5500-000CN	1
11	Front light guide assembly	RM1-5492-000CN	1
12	Intermediate transfer belt kit (includes instructions, ITB, and T2 roller)	CC493-67909	1
18	Photo interrupter	WG8-5696-000CN	1

Internal components (5 of 7)

Figure 4-8 Internal components 5 of 7

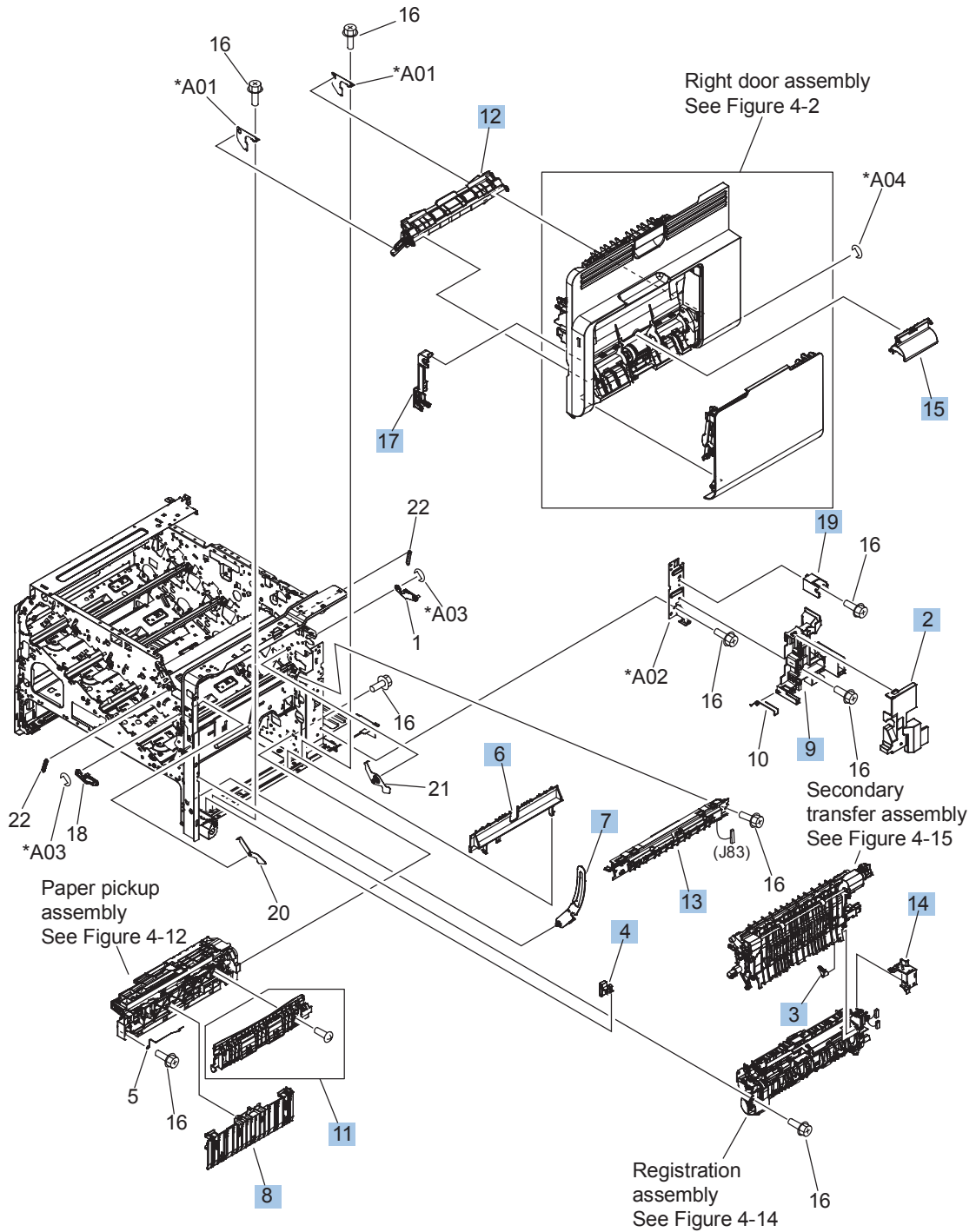


Table 4-12 Internal components (5 of 7)

Ref	Description	Part number	Qty
2	Cover, inner	RC2-3981-000CN	1
3	Shaft support (included in secondary transfer kit; see Figure 4–15)	RC2-4162-000CN	1
4	Spacer	RC2-4514-000CN	1
6	Guide	RC2-4527-000CN	1
7	Link, right door	RC2-4726-000CN	1
8	Guide, cassette option	RC2-4741-000CN	1
9	Holder, duct cable	RC2-8239-000CN	1
11	Cassette guide assembly	RM1-5504-000CN	1
12	Paper feed roller assembly	RM1-5525-000CN	1
13	Density detect assembly	RM1-5641-000CN	1
14	Cable cover assembly	RM1-6695-000CN	1
15	Cover, roller	RC2-4483-000CN	1
17	Cover, M.P. cross member	RC2-9189-000CN	1
19	Arm, door link supporting, right	RC2-4055-000CN	1

Internal components (6 of 7)

Figure 4-9 Internal components 6 of 7

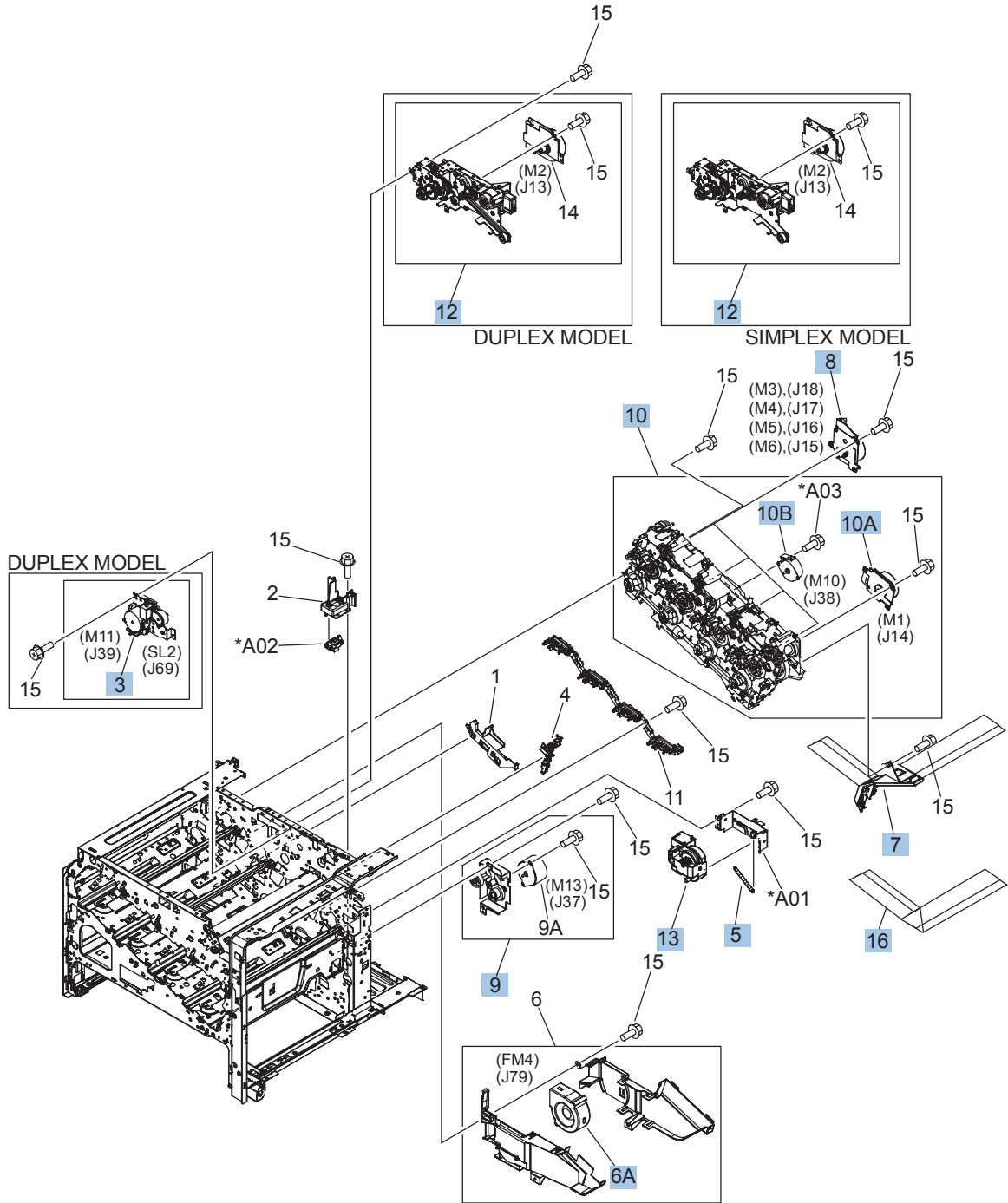


Table 4-13 Internal components 6 of 7

Ref	Description	Part number	Qty
3	Duplexing drive assembly	RM1-5546-000CN	1
5	Spring, tension	RU6-2468-000CN	1
6A	Cartridge fan	RK2-2418-000CN	1
7	Flexible flat cable assembly (includes two FFC; DCC to laser/ scanner)	RM1-5498-000CN	1
8	Main DC motor assembly	RM1-5521-000CN	4
9	Paper pickup drive assembly	RM1-5549-000CN	1
10	Main drive assembly kit (includes instructions)	CC493-67915	1
10A	ITB motor assembly	RM1-5777-000CN	1
10B	Developing disengaging motor	RK2-2415-000CN	1
12	Fuser drive assembly, simplex	RM1-6702-000CN	1
12	Fuser drive assembly, duplex	RM1-5656-000CN	1
13	Lifter assembly	RM1-5914-000CN	1
16	Flat flexible cable (DCC to HVPS lower)	RK2-2604-000CN	1

Table 4-14 Internal components 7 of 7

Ref	Description	Part number	Qty
4	Fan	RK2-2577-000CN	1
5	Cable, flexible flat, H.V.T.	RK2-2603-000CN	1
7	Contact assembly	RM1-5502-000CN	1
8	Fan cable assembly	RM1-5821-000CN	1
9	H.V. power supply cable assembly	RM1-5724-000CN	1
10	Lower main cable assembly	RM1-5801-000CN	1
11	Switch, push	WC2-5637-000CN	1
14	Connecting cable assembly	RM1-5799-000CN	1
15	Upper main cable assembly	RM1-5800-000CN	1
16	Duplexing cable assembly, duplex	RM1-5803-000CN	1
17	Feed cable assembly	RM1-5804-000CN	1
18	Switch cable assembly	RM1-5807-000CN	1
19	Connecting cable assembly	RM1-5811-000CN	1
20	Connecting cable assembly	RM1-5812-000CN	1
21	Control panel cable assembly	RM1-5814-000CN	1
22	Sensor cable assembly	RM1-5815-000CN	1
23	Interlock switch cable assembly	RM1-5816-000CN	1

Cassettes 2-5

Figure 4-11 Cassettes 2-5

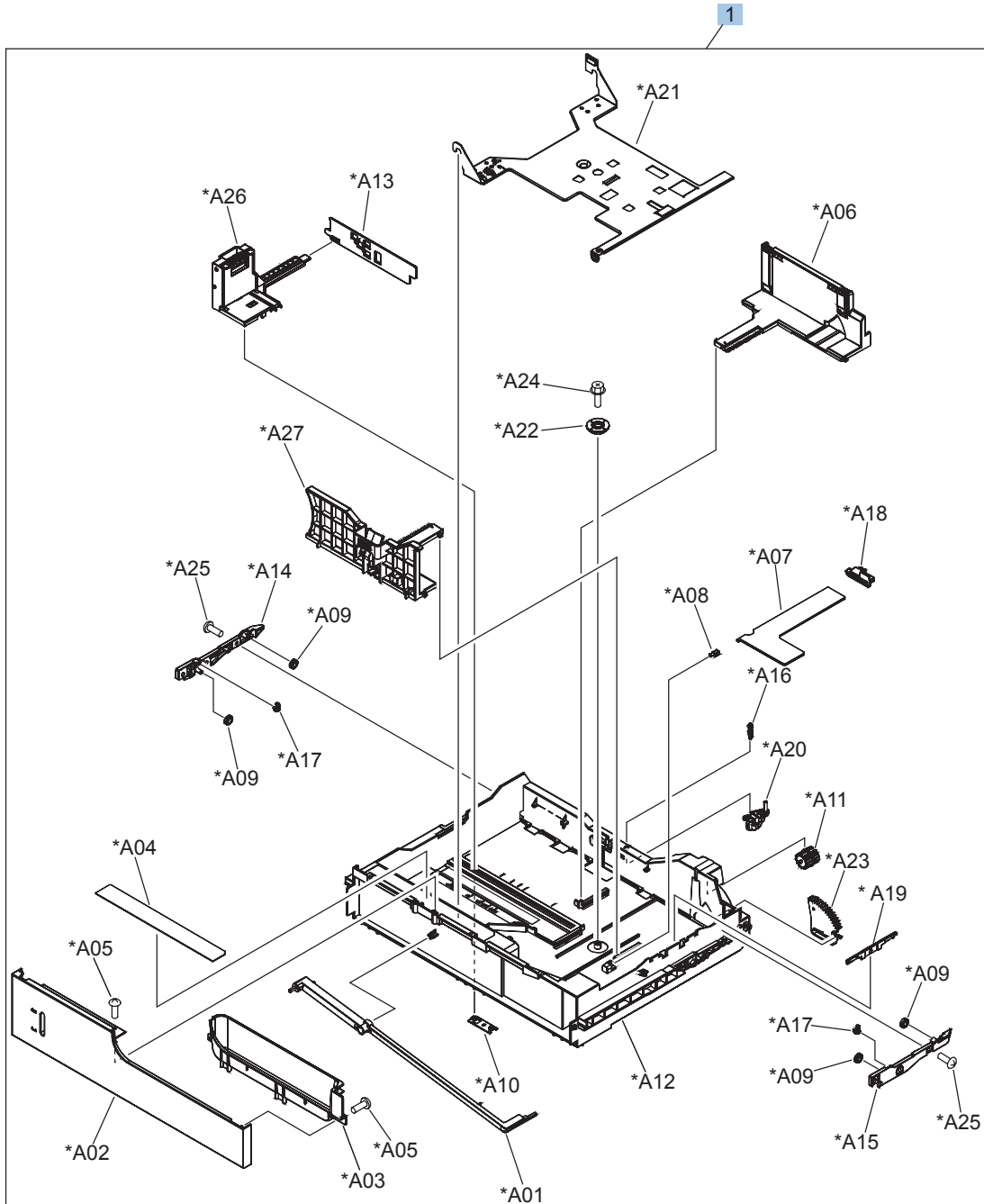


Table 4-15 Cassette

Ref	Description	Part number	Qty
1	Cassette	RM1-5928-000CN	1

Paper pickup assembly

Figure 4-12 Paper pickup assembly

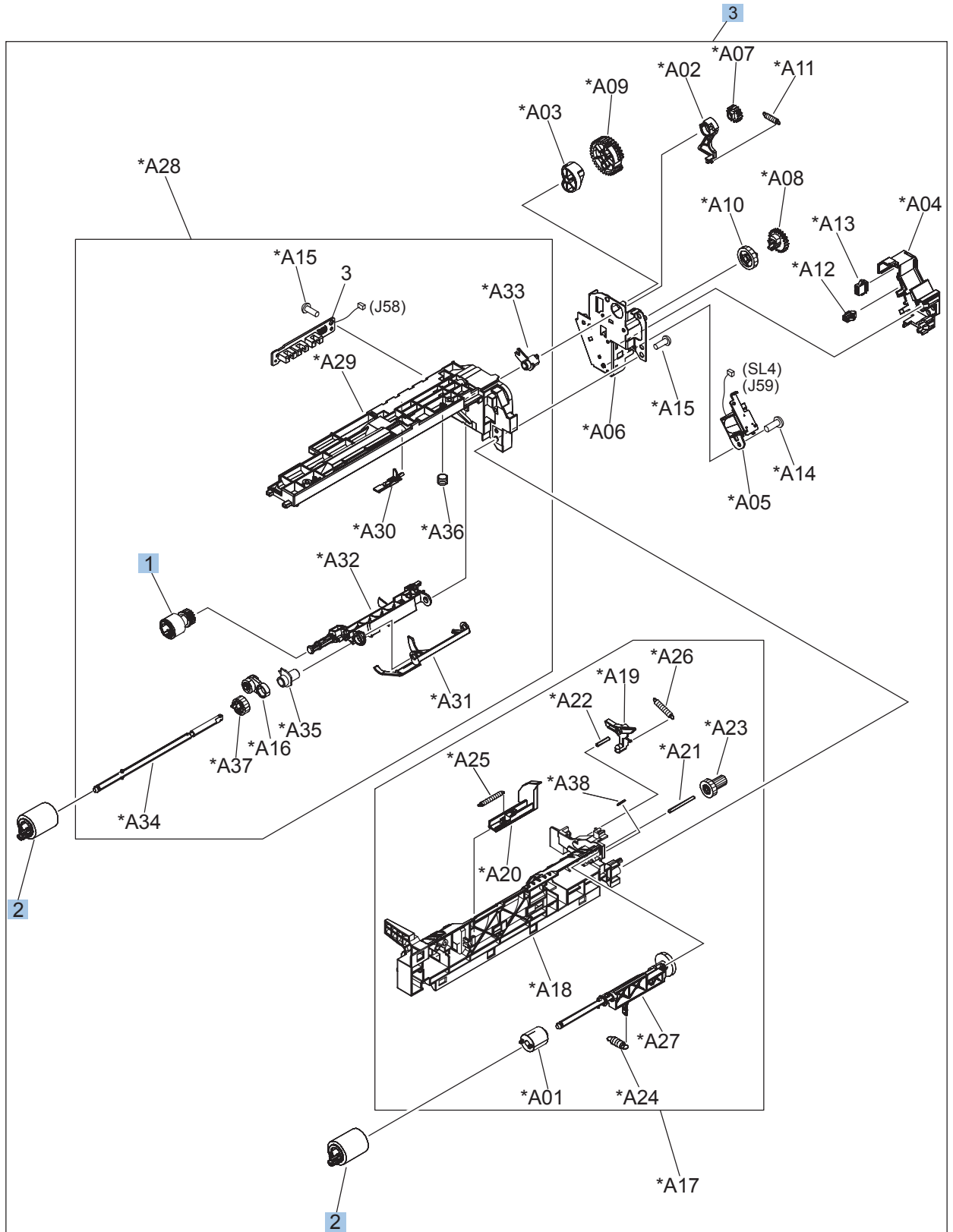


Table 4-16 Paper pickup assembly

Ref	Description	Part number	Qty
1	Roller, paper pickup	RL1-2099-000CN	1
2	Paper feed roller	RM1-0037-020CN	2
3	Paper pickup assembly	RM1-5919-000CN	1

Table 4-17 Tray 1 paper pickup assembly

Ref	Description	Part number	Qty
1	Pickup roller (Tray 1) kit (includes instructions)	CC493-67906	1
2	Separation pad (Tray 1)	RL1-1937-000CN	1

Registration assembly

Figure 4-14 Registration assembly

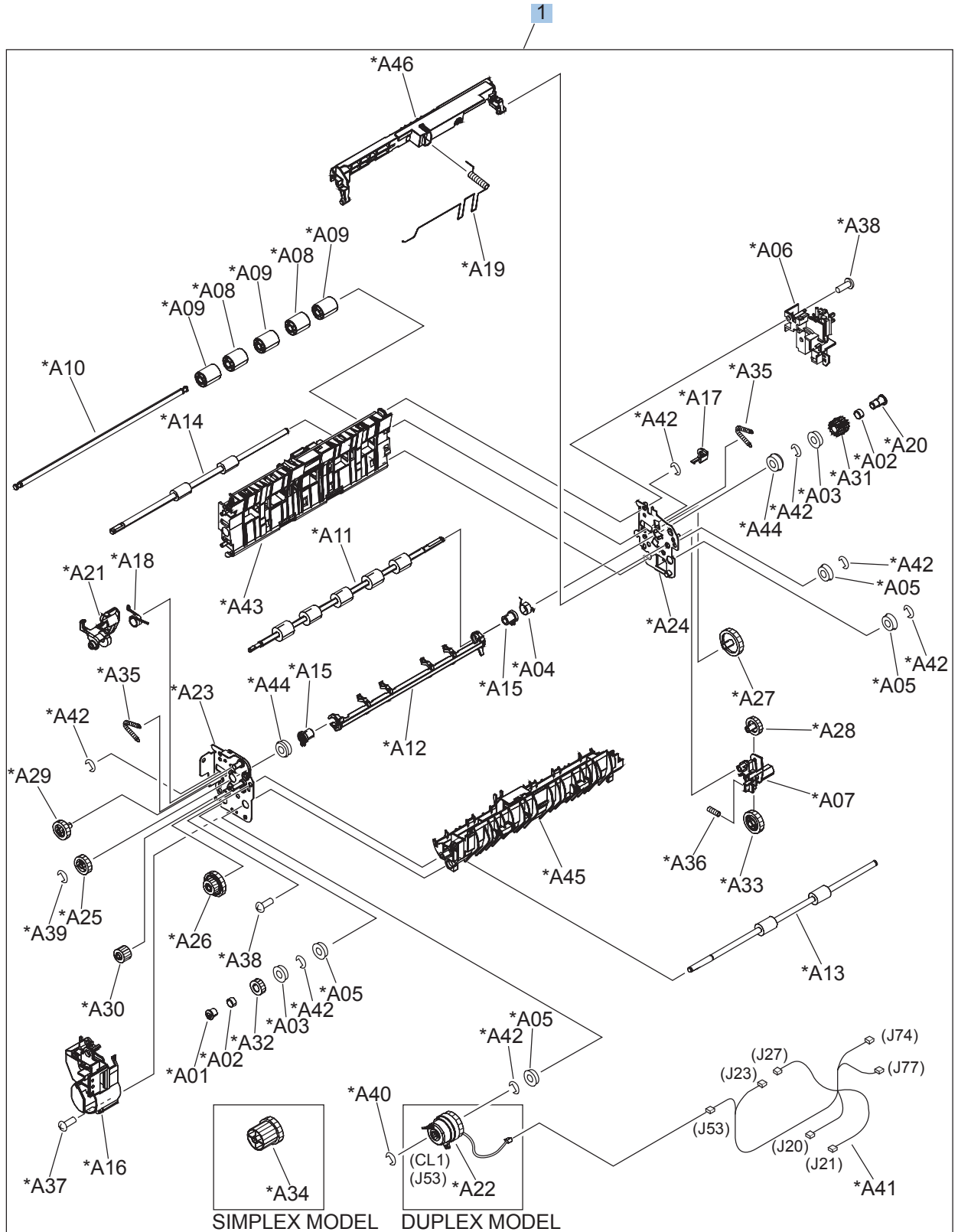


Table 4-18 Registration assembly

Ref	Description	Part number	Qty
1	Registration assembly kit, simplex (includes instructions)	CC493-67916	1
1	Registration assembly kit, duplex (includes instructions)	CC493-67917	1

Secondary transfer assembly

Figure 4-15 Secondary transfer assembly

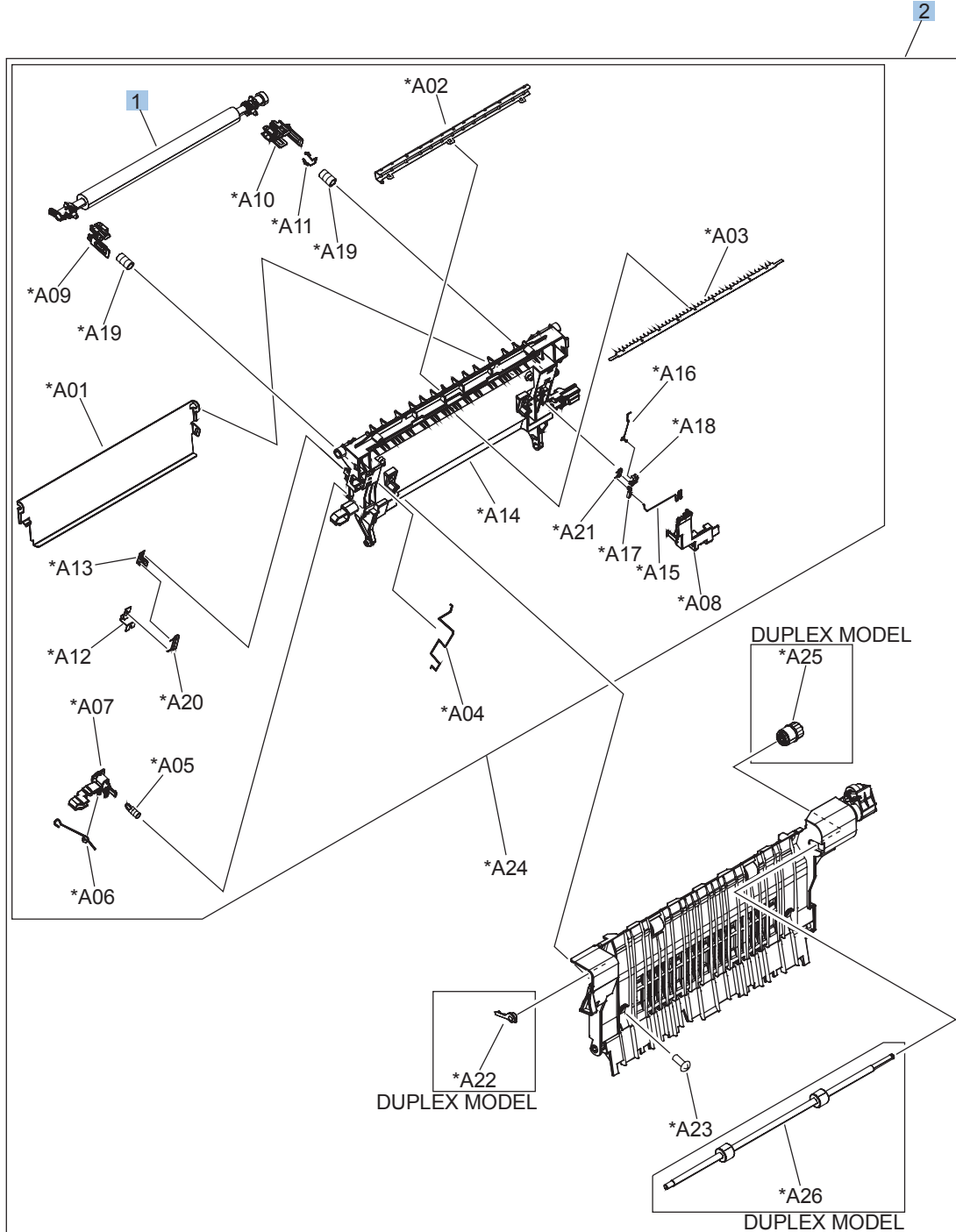


Table 4-19 Secondary Transfer assembly

Ref	Description	Part number	Qty
1	Secondary transfer roller assembly kit (includes instructions)	CC493-67908	1
2	Secondary transfer assembly, duplex kit (includes shaft-support clip; # 3 Figure 4–8)	CC493-67901	1
2	Secondary transfer assembly, simplex kit (includes shaft-support clip; # 3 Figure 4–8)	CC493-67902	1

Delivery assembly

Figure 4-16 Delivery assembly

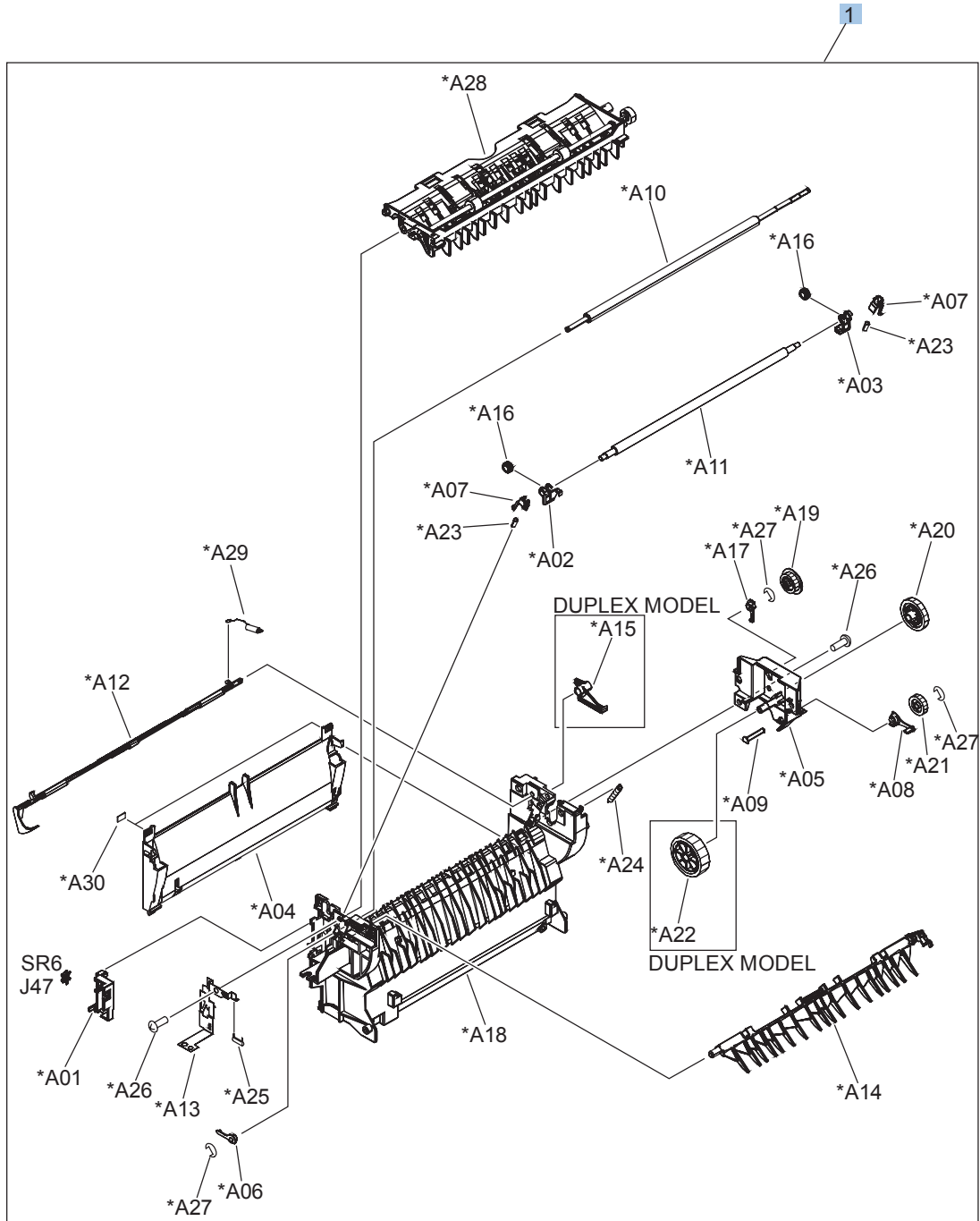


Table 4-20 Delivery assembly

Ref	Description	Part number	Qty
1	Simplex delivery assembly kit	CC493-67918	1
1	Duplex delivery assembly kit	CC493-67919	1

Fuser assembly

Figure 4-17 Fuser assembly

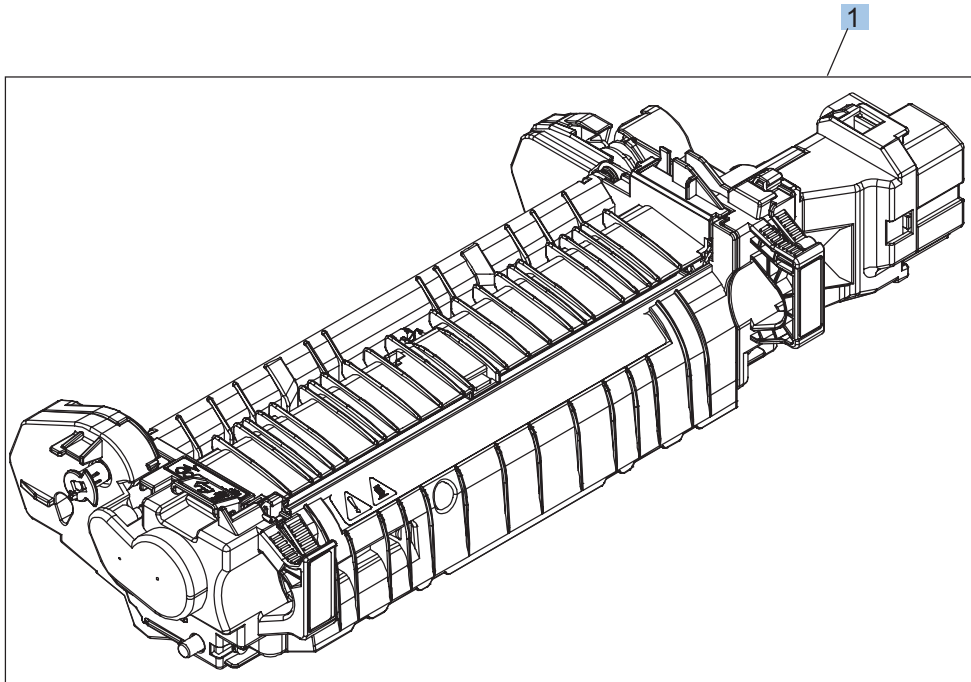


Table 4-21 Fuser assembly

Ref	Description	Part number	Qty
1	Fuser 110 V assembly kit (includes instructions)	CC493-67911	1
1	Fuser 220 V assembly kit (includes instructions)	CC493-67912	1

PCAs

Figure 4-18 PCAs

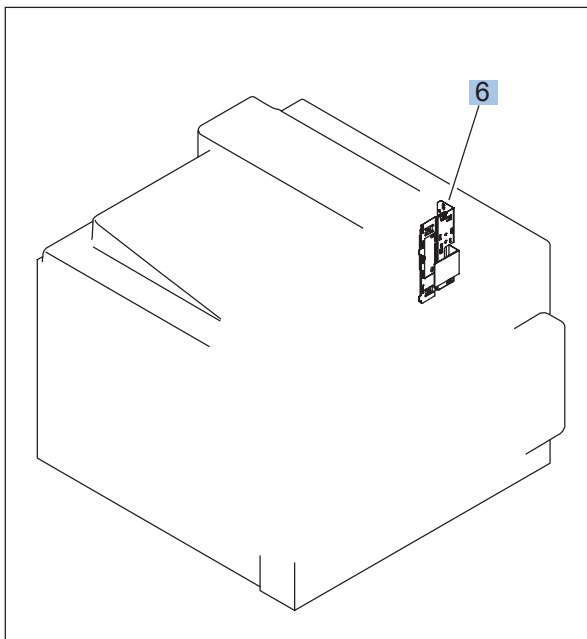
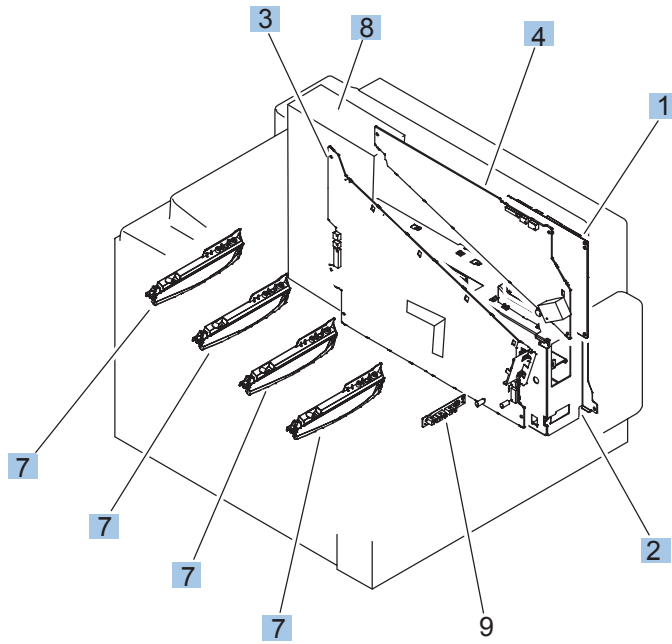


Table 4-22 PCAs

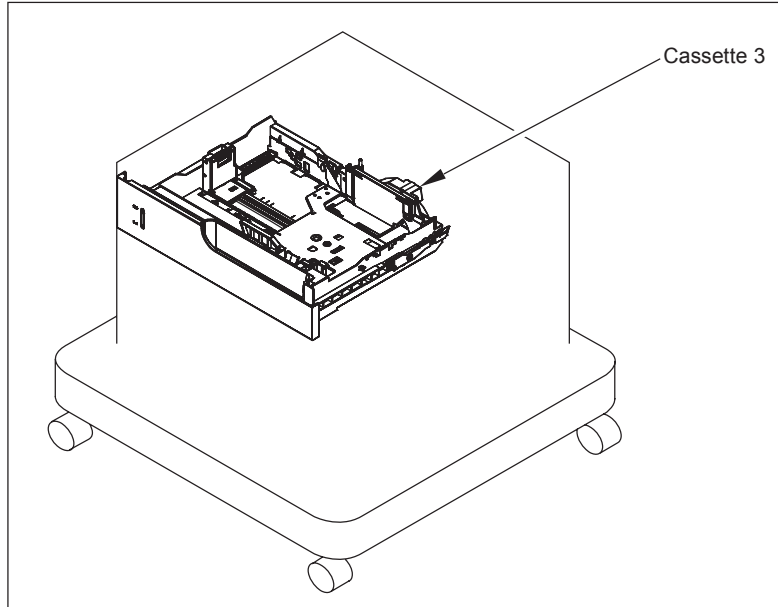
Ref	Description	Part number	Qty
1	DC controller PCA assembly	RM1-5758-000CN	1
2	Low voltage power supply PCA assembly, 110V	RM1-5763-000CN	1
2	Low voltage power supply PCA assembly, 220V	RM1-5764-000CN	1
3	High voltage power supply PCA, lower (includes FFC; DCC to HVPS lower)	RM1-5779-000CN	1
4	High voltage power supply, upper	RM1-5781-000CN	1
6	Inner connecting PCA assembly	RM1-5636-020CN	1
7	Toner remain PCA assembly	RM1-5771-020CN	4
8	Formatter kit (exchange; includes instructions)	CC493-69001	1

Assesories

Paper feeders

Figure 4-19 Paper feeders

1x500



3x500

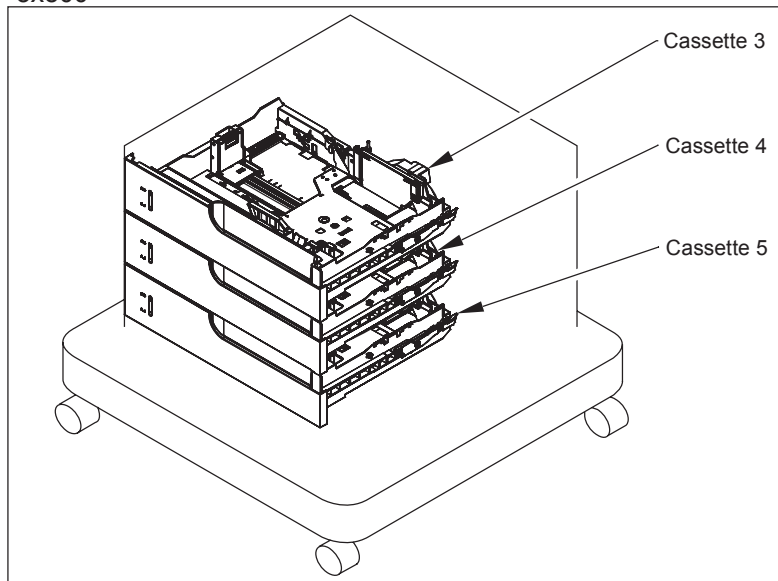


Table 4-23 Paper feeders

Ref	Description	Part number	Qty
NA	Cassette	RM1-5928-000CN	NA

Paper feeder external covers, panels, and doors

Figure 4-20 Paper feeder external covers, panels, and doors

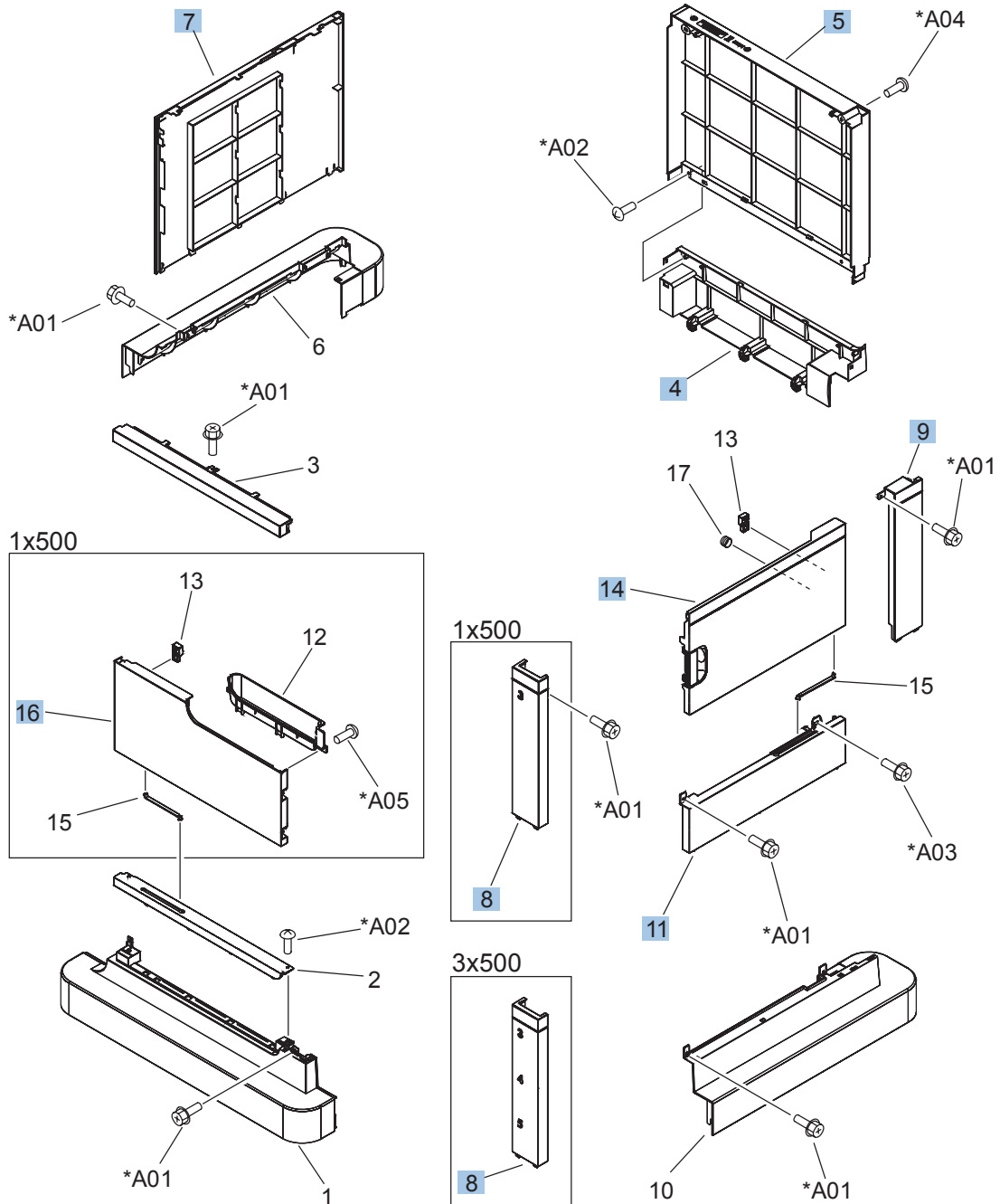


Table 4-24 Paper feeder external covers, panels, and doors

Ref	Description	Part number	Qty
4	Cover, rear lower	RC2-5378-000CN	1
5	Cover, rear	RC2-5379-000CN	1
7	Cover, left	RC2-5393-000CN	1
8	Cover, right front, 1x500	RC2-5356-000CN	1
8	Cover, right front, 3x500	RC2-5357-000CN	1
9	Cover, right rear	RC2-5380-000CN	1
11	Cover, right center	RC2-5394-000CN	1
14	Right door assembly 3x500	RM1-5937-000CN	1
14	Right door assembly 1x500	RM1-5936-000CN	1
16	Door, stock, 1x500	RC2-5377-000CN	1

Table 4-25 1 X 500 paper feeder main body

Ref	Description	Part number	Qty
3	Lifter base assembly	RM1-5913-000CN	1
4	Lifter assembly	RM1-5914-000CN	1
7	Paper pickup drive assembly, 1x500	RM1-5934-000CN	1
8	Feeder PCA assembly, 1x500	RM1-5854-000CN	1
9	Paper pickup assembly	RM1-5929-000CN	1

3 X 500 paper feeder main body

Figure 4-22 3 X 500 paper feeder main body

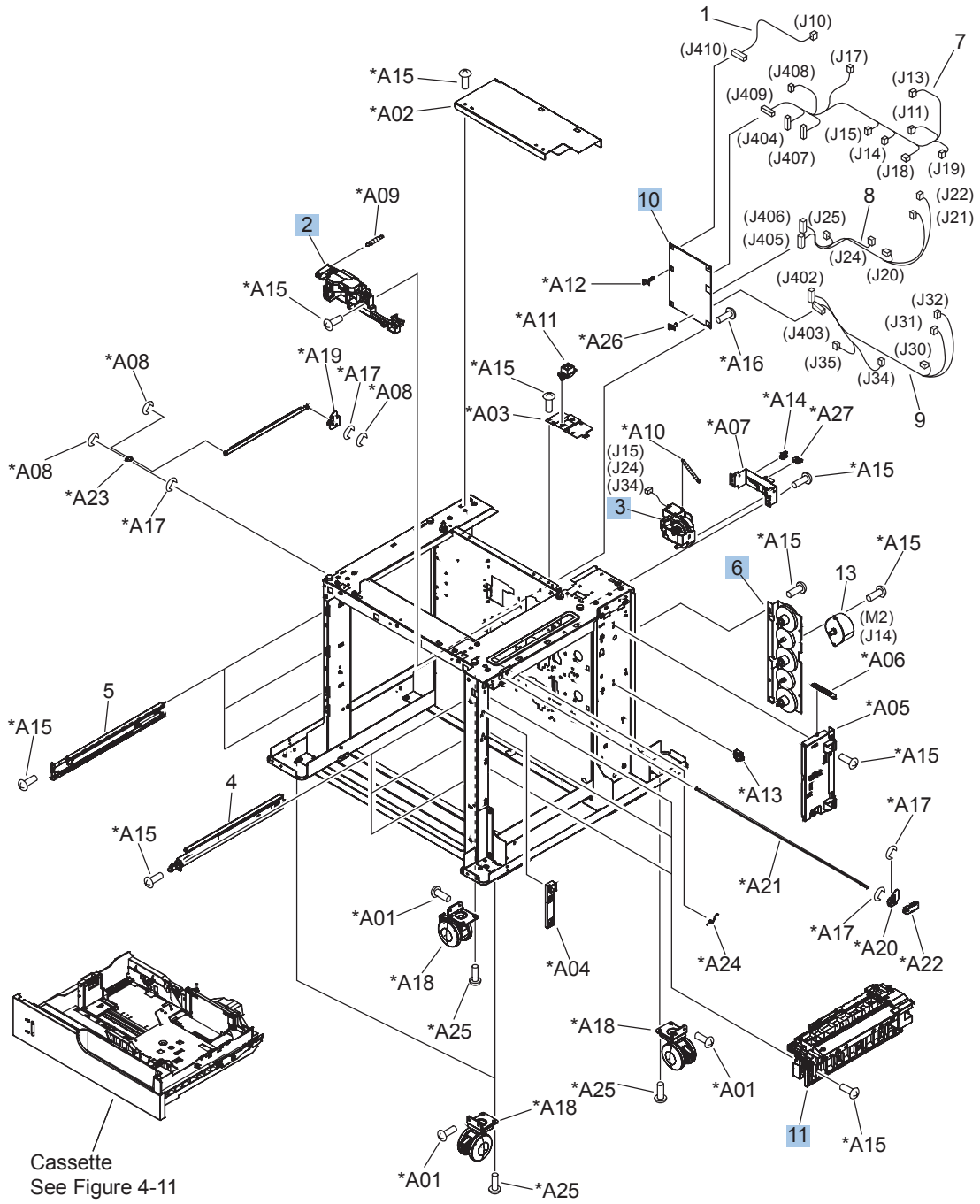


Table 4-26 3 X 500 paper feeder main body

Ref	Description	Part number	Qty
2	Lifter base assembly	RM1-5913-000CN	1
3	Lifter assembly	RM1-5914-000CN	1
6	Paper pickup drive assembly 3x500	RM1-5935-000CN	1
10	Feeder PCA assembly 3x500	RM1-5958-000CN	1
11	Paper pickup assembly	RM1-5929-000CN	3

Alphabetical parts list

Table 4-27 Alphabetical parts list

Description	Part number	Table and page
Arm, door link supporting, right	RC2-4055-000CN	Internal components (5 of 7) on page 447
Bushing	RC2-9719-000CN	Internal components (2 of 7) on page 441
Bushing	RC2-4470-000CN	Internal components (2 of 7) on page 441
Cable cover assembly	RM1-6695-000CN	Internal components (5 of 7) on page 447
Cable, flexible flat, H.V.T.	RK2-2603-000CN	Internal components 7 of 7 on page 451
Cartridge fan	RK2-2418-000CN	Internal components 6 of 7 on page 449
Cartridge fan assembly	RM1-5499-000CN	Internal components (4 of 7) on page 445
Cassette	RM1-5928-000CN	Cassette on page 453
Cassette	RM1-5928-000CN	Paper feeders on page 469
Cassette guide assembly	RM1-5504-000CN	Internal components (5 of 7) on page 447
Cassette rail left assembly	RM1-6196-000CN	Internal components (3 of 7) on page 443
Cassette rail right assembly	RM1-6195-000CN	Internal components (3 of 7) on page 443
Connecting cable assembly	RM1-5799-000CN	Internal components 7 of 7 on page 451
Connecting cable assembly	RM1-5811-000CN	Internal components 7 of 7 on page 451
Connecting cable assembly	RM1-5812-000CN	Internal components 7 of 7 on page 451
Contact assembly	RM1-5502-000CN	Internal components 7 of 7 on page 451
Control panel cable assembly	RM1-5814-000CN	Internal components 7 of 7 on page 451
Control-panel assembly	RM1-5786-000CN	External covers, panels, and doors; on page 433
Cover	RC2-4403-000CN	Internal components (2 of 7) on page 441
Cover	RC2-5962-000CN	Internal components (2 of 7) on page 441
Cover	RC2-4308-000CN	Internal components (3 of 7) on page 443

Table 4-27 Alphabetical parts list (continued)

Description	Part number	Table and page
Cover, inner	RM1-5520-000CN	External covers, panels, and doors; on page 433
Cover, inner	RC2-3981-000CN	Internal components (5 of 7) on page 447
Cover, left	RC2-5393-000CN	Paper feeder external covers, panels, and doors on page 471
Cover, left lower	RC2-4300-000CN	External covers, panels, and doors; on page 433
Cover, left rear	RC2-8213-000CN	External covers, panels, and doors; on page 433
Cover, left upper	RC2-4270-000CN	External covers, panels, and doors; on page 433
Cover, M.P. cross member	RC2-9189-000CN	Internal components (5 of 7) on page 447
Cover, M.P. crossmember R	RC2-4747-000CN	Right door assembly on page 435
Cover, rear	RC2-5379-000CN	Paper feeder external covers, panels, and doors on page 471
Cover, rear lower	RC2-5378-000CN	Paper feeder external covers, panels, and doors on page 471
Cover, right center	RC2-5394-000CN	Paper feeder external covers, panels, and doors on page 471
Cover, right front	RC2-4272-000CN	External covers, panels, and doors; on page 433
Cover, right front, 1x500	RC2-5356-000CN	Paper feeder external covers, panels, and doors on page 471
Cover, right front, 3x500	RC2-5357-000CN	Paper feeder external covers, panels, and doors on page 471
Cover, right rear	RC2-4273-000CN	External covers, panels, and doors; on page 433
Cover, right rear	RC2-5380-000CN	Paper feeder external covers, panels, and doors on page 471
Cover, roller	RC2-4483-000CN	Internal components (5 of 7) on page 447
Cover, upper	RC2-4276-000CN	External covers, panels, and doors; on page 433
Crg. Guide lower assembly	RM1-5486-000CN	Internal components (2 of 7) on page 441
DC controller PCA assembly	RM1-5758-000CN	PCAs on page 467

Table 4-27 Alphabetical parts list (continued)

Description	Part number	Table and page
Density detect assembly	RM1-5641-000CN	Internal components (5 of 7) on page 447
Developing disengaging motor	RK2-2415-000CN	Internal components 6 of 7 on page 449
Door, stock, 1x500	RC2-5377-000CN	Paper feeder external covers, panels, and doors on page 471
Duplex delivery assembly kit	CC493-67919	Delivery assembly on page 463
Duplexing cable assembly, duplex	RM1-5803-000CN	Internal components 7 of 7 on page 451
Duplexing drive assembly	RM1-5546-000CN	Internal components 6 of 7 on page 449
Duplexing guide assembly, duplex	RM1-5531-000CN	Internal components (1 of 7) on page 439
Face-down tray assembly	RM1-5494-000CN	External covers, panels, and doors; on page 433
Fan	RK2-2577-000CN	Internal components 7 of 7 on page 451
Fan cable assembly	RM1-5821-000CN	Internal components 7 of 7 on page 451
Feed cable assembly	RM1-5804-000CN	Internal components 7 of 7 on page 451
Feeder PCA assembly 3x500	RM1-5958-000CN	3 X 500 paper feeder main body on page 475
Feeder PCA assembly, 1x500	RM1-5854-000CN	1 X 500 paper feeder main body on page 473
Flat flexible cable (DCC to HVPS lower)	RK2-2604-000CN	Internal components 6 of 7 on page 449
Flexible flat cable assembly (includes two FFC; DCC to laser/scanner)	RM1-5498-000CN	Internal components 6 of 7 on page 449
Formatter kit (exchange; includes instructions)	CC493-69001	PCAs on page 467
Front door assembly	RM1-5506-000CN	Front door assembly on page 437
Front inner cover lower assembly	RM1-5598-000CN	Internal components (3 of 7) on page 443
Front inner cover upper assembly	RM1-5495-000CN	Internal components (3 of 7) on page 443
Front light guide assembly	RM1-5492-000CN	Internal components (4 of 7) on page 445
Fuser 110 V assembly kit (includes instructions)	CC493-67911	Fuser assembly on page 465
Fuser 220 V assembly kit (includes instructions)	CC493-67912	Fuser assembly on page 465
Fuser drive assembly, duplex	RM1-5656-000CN	Internal components 6 of 7 on page 449

Table 4-27 Alphabetical parts list (continued)

Description	Part number	Table and page
Fuser drive assembly, simplex	RM1-6702-000CN	Internal components 6 of 7 on page 449
Grip, left front	RC2-4268-000CN	External covers, panels, and doors: on page 433
Grip, left rear	RC2-4269-000CN	External covers, panels, and doors: on page 433
Guide	RC2-4527-000CN	Internal components (5 of 7) on page 447
Guide, cassette option	RC2-4741-000CN	Internal components (5 of 7) on page 447
Guide, paper feed, simplex	RC2-4566-000CN	Internal components (1 of 7) on page 439
H.V. power supply cable assembly	RM1-5724-000CN	Internal components 7 of 7 on page 451
High voltage holder assembly	RM1-6694-000CN	Internal components (3 of 7) on page 443
High voltage power supply PCA, lower (includes FFC; DCC to HVPS lower)	RM1-5779-000CN	PCAs on page 467
High voltage power supply, upper	RM1-5781-000CN	PCAs on page 467
Hinge, front door	RC2-4291-000CN	Internal components (3 of 7) on page 443
Hinge, front door	RC2-4292-000CN	Internal components (3 of 7) on page 443
Holder, cable	RC2-3997-000CN	Internal components (1 of 7) on page 439
Holder, duct cable	RC2-8239-000CN	Internal components (5 of 7) on page 447
Holder, right door handle	RC2-4573-000CN	Internal components (1 of 7) on page 439
Inner connecting PCA assembly	RM1-5636-020CN	PCAs on page 467
Interlock assembly	RM1-5496-000CN	Internal components (3 of 7) on page 443
Interlock switch cable assembly	RM1-5816-000CN	Internal components 7 of 7 on page 451
Intermediate transfer belt kit (includes instructions, ITB, and T2 roller)	CC493-67909	Internal components (4 of 7) on page 445
ITB motor assembly	RM1-5777-000CN	Internal components 6 of 7 on page 449
Laser scanner kit (includes instructions and one scanner assy.)	CC493-67914	Internal components (4 of 7) on page 445
Lever, CRG. lock	RC2-3986-000CN	Internal components (2 of 7) on page 441
Lever, crg. pressure, front	RC2-3983-020CN	Internal components (3 of 7) on page 443

Table 4-27 Alphabetical parts list (continued)

Description	Part number	Table and page
Lever, shutter	RC2-4415-000CN	Internal components (3 of 7) on page 443
Lifter assembly	RM1-5914-000CN	Internal components 6 of 7 on page 449
Lifter assembly	RM1-5914-000CN	1 X 500 paper feeder main body on page 473
Lifter assembly	RM1-5914-000CN	3 X 500 paper feeder main body on page 475
Lifter base assembly	RM1-5913-000CN	Internal components (2 of 7) on page 441
Lifter base assembly	RM1-5913-000CN	1 X 500 paper feeder main body on page 473
Lifter base assembly	RM1-5913-000CN	3 X 500 paper feeder main body on page 475
Link, right door	RC2-4726-000CN	Internal components (5 of 7) on page 447
Low voltage power supply PCA assembly, 110V	RM1-5763-000CN	PCAs on page 467
Low voltage power supply PCA assembly, 220V	RM1-5764-000CN	PCAs on page 467
Lower main cable assembly	RM1-5801-000CN	Internal components 7 of 7 on page 451
Main DC motor assembly	RM1-5521-000CN	Internal components 6 of 7 on page 449
Main drive assembly kit (includes instructions)	CC493-67915	Internal components 6 of 7 on page 449
Paper delivery fan assembly	RM1-5501-000CN	Internal components (1 of 7) on page 439
Paper delivery fan duct assembly	RM1-5583-000CN	Internal components (1 of 7) on page 439
Paper feed roller	RM1-0037-020CN	Paper pickup assembly on page 455
Paper feed roller assembly	RM1-5525-000CN	Internal components (5 of 7) on page 447
Paper pickup assembly	RM1-5919-000CN	Paper pickup assembly on page 455
Paper pickup assembly	RM1-5929-000CN	1 X 500 paper feeder main body on page 473
Paper pickup assembly	RM1-5929-000CN	3 X 500 paper feeder main body on page 475
Paper pickup drive assembly	RM1-5549-000CN	Internal components 6 of 7 on page 449
Paper pickup drive assembly 3x500	RM1-5935-000CN	3 X 500 paper feeder main body on page 475
Paper pickup drive assembly, 1x500	RM1-5934-000CN	1 X 500 paper feeder main body on page 473

Table 4-27 Alphabetical parts list (continued)

Description	Part number	Table and page
Photo interrupter	WG8-5696-000CN	Internal components (3 of 7) on page 443
Photo interrupter	WG8-5696-000CN	Internal components (4 of 7) on page 445
Photo interrupter, TLP1243	WG8-5696-000CN	Internal components (1 of 7) on page 439
Pickup roller (Tray 1) kit (includes instructions)	CC493-67906	Tray 1 paper pickup assembly on page 457
Position detect assembly	RM1-5500-000CN	Internal components (4 of 7) on page 445
Power switch assembly	RM1-5582-000CN	Internal components (3 of 7) on page 443
Rear cover assembly	RM1-5508-000CN	External covers, panels, and doors: on page 433
Registration assembly kit, duplex (includes instructions)	CC493-67917	Registration assembly on page 459
Registration assembly kit, simplex (includes instructions)	CC493-67916	Registration assembly on page 459
Right door assembly	RM1-5509-000CN	Right door assembly on page 435
Right door assembly 1x500	RM1-5936-000CN	Paper feeder external covers, panels, and doors on page 471
Right door assembly 3x500	RM1-5937-000CN	Paper feeder external covers, panels, and doors on page 471
Right handle cover assembly	RM1-5507-000CN	External covers, panels, and doors: on page 433
Rod, paper delivery fan	RC2-4070-000CN	Internal components (1 of 7) on page 439
Roller, paper pickup	RL1-2099-000CN	Paper pickup assembly on page 455
Secondary transfer assembly, duplex kit (includes shaft-support clip; # 3 Figure 4-8)	CC493-67901	Secondary Transfer assembly on page 461
Secondary transfer assembly, simplex kit (includes shaft-support clip; # 3 Figure 4-8)	CC493-67902	Secondary Transfer assembly on page 461
Secondary transfer roller assembly kit (includes instructions)	CC493-67908	Secondary Transfer assembly on page 461
Sensor cable assembly	RM1-5815-000CN	Internal components 7 of 7 on page 451
Separation pad (Tray 1)	RL1-1937-000CN	Tray 1 paper pickup assembly on page 457
Shaft support (included in secondary transfer kit; see Figure 4-15)	RC2-4162-000CN	Internal components (5 of 7) on page 447

Table 4-27 Alphabetical parts list (continued)

Description	Part number	Table and page
Shutter arm assembly	RM1-5585-000CN	Internal components (2 of 7) on page 441
Shutter arm assembly	RM1-5586-000CN	Internal components (2 of 7) on page 441
Shutter assembly	RM1-5488-000CN	Internal components (2 of 7) on page 441
Shutter assembly	RM1-5489-000CN	Internal components (2 of 7) on page 441
Simplex delivery assembly kit	CC493-67918	Delivery assembly on page 463
Spacer	RC2-4514-000CN	Internal components (5 of 7) on page 447
Spring, compression	RU6-2310-000CN	Internal components (1 of 7) on page 439
Spring, compression	RU6-2316-000CN	Internal components (3 of 7) on page 443
Spring, grounding	RC2-4469-000CN	Internal components (2 of 7) on page 441
Spring, grounding	RU6-2237-000CN	Internal components (3 of 7) on page 443
Spring, tension	RU6-2236-000CN	Internal components (3 of 7) on page 443
Spring, tension	RU6-2235-000CN	Internal components (4 of 7) on page 445
Spring, tension	RU6-2376-000CN	Internal components (4 of 7) on page 445
Spring, tension	RU6-2468-000CN	Internal components 6 of 7 on page 449
Spring, torsion	RU6-2247-000CN	Internal components (2 of 7) on page 441
Switch	WC4-5303-000CN	Internal components (3 of 7) on page 443
Switch cable assembly	RM1-5807-000CN	Internal components 7 of 7 on page 451
Switch, push	WC2-5637-000CN	Internal components (3 of 7) on page 443
Switch, push	WC2-5637-000CN	Internal components 7 of 7 on page 451
Toner remain PCA assembly	RM1-5771-020CN	PCAs on page 467
Tray, face-down swing	RC2-4547-000CN	External covers, panels, and doors; on page 433
Tray, waste toner catch	RC2-4218-000CN	Internal components (2 of 7) on page 441

Table 4-27 Alphabetical parts list (continued)

Description	Part number	Table and page
Upper main cable assembly	RM1-5800-000CN	Internal components 7 of 7 on page 451
Waste toner collection kit (includes instructions and wipe)	CC493-67913	Internal components (3 of 7) on page 443
Waste toner detect assembly	RM1-5545-000CN	Internal components (3 of 7) on page 443
Waste toner duct assembly	RM1-5519-000CN	Internal components (3 of 7) on page 443
Waste toner motor assembly	RM1-5605-000CN	Internal components (4 of 7) on page 445
Waste toner paper feed assembly	RM1-5584-000CN	Internal components (3 of 7) on page 443

Numerical parts list

Table 4-28 Numerical parts list

Part number	Description	Table and page
CC493-67901	Secondary transfer assembly, duplex kit (includes shaft-support clip; # 3 Figure 4–8)	Secondary Transfer assembly on page 461
CC493-67902	Secondary transfer assembly, simplex kit (includes shaft-support clip; # 3 Figure 4–8)	Secondary Transfer assembly on page 461
CC493-67908	Secondary transfer roller assembly kit (includes instructions)	Secondary Transfer assembly on page 461
CC493-67909	Intermediate transfer belt kit (includes instructions, ITB, and T2 roller)	Internal components (4 of 7) on page 445
CC493-67911	Fuser 110 V assembly kit (includes instructions)	Fuser assembly on page 465
CC493-67912	Fuser 220 V assembly kit (includes instructions)	Fuser assembly on page 465
CC493-67913	Waste toner collection kit (includes instructions and wipe)	Internal components (3 of 7) on page 443
CC493-67914	Laser scanner kit (includes instructions and one scanner assy.)	Internal components (4 of 7) on page 445
CC493-67915	Main drive assembly kit (includes instructions)	Internal components 6 of 7 on page 449
CC493-67916	Registration assembly kit, simplex (includes instructions)	Registration assembly on page 459
CC493-67917	Registration assembly kit, duplex (includes instructions)	Registration assembly on page 459
CC493-67918	Simplex delivery assembly kit	Delivery assembly on page 463
CC493-67919	Duplex delivery assembly kit	Delivery assembly on page 463
CC493-69001	Formatter kit (exchange; includes instructions)	PCAs on page 467
CC493-67906	Pickup roller (Tray 1) kit (includes instructions)	Tray 1 paper pickup assembly on page 457
RC2-3981-000CN	Cover, inner	Internal components (5 of 7) on page 447
RC2-3983-020CN	Lever, crg. pressure, front	Internal components (3 of 7) on page 443
RC2-3986-000CN	Lever, CRG. lock	Internal components (2 of 7) on page 441
RC2-3997-000CN	Holder, cable	Internal components (1 of 7) on page 439
RC2-4055-000CN	Arm, door link supporting, right	Internal components (5 of 7) on page 447
RC2-4070-000CN	Rod, paper delivery fan	Internal components (1 of 7) on page 439
RC2-4162-000CN	Shaft support (included in secondary transfer kit; see Figure 4–15)	Internal components (5 of 7) on page 447

Table 4-28 Numerical parts list (continued)

Part number	Description	Table and page
RC2-4218-000CN	Tray, waste toner catch	Internal components (2 of 7) on page 441
RC2-4268-000CN	Grip, left front	External covers, panels, and doors: on page 433
RC2-4269-000CN	Grip, left rear	External covers, panels, and doors: on page 433
RC2-4270-000CN	Cover, left upper	External covers, panels, and doors: on page 433
RC2-4272-000CN	Cover, right front	External covers, panels, and doors: on page 433
RC2-4273-000CN	Cover, right rear	External covers, panels, and doors: on page 433
RC2-4276-000CN	Cover, upper	External covers, panels, and doors: on page 433
RC2-4291-000CN	Hinge, front door	Internal components (3 of 7) on page 443
RC2-4292-000CN	Hinge, front door	Internal components (3 of 7) on page 443
RC2-4300-000CN	Cover, left lower	External covers, panels, and doors: on page 433
RC2-4308-000CN	Cover	Internal components (3 of 7) on page 443
RC2-4403-000CN	Cover	Internal components (2 of 7) on page 441
RC2-4415-000CN	Lever, shutter	Internal components (3 of 7) on page 443
RC2-4469-000CN	Spring, grounding	Internal components (2 of 7) on page 441
RC2-4470-000CN	Bushing	Internal components (2 of 7) on page 441
RC2-4483-000CN	Cover, roller	Internal components (5 of 7) on page 447
RC2-4514-000CN	Spacer	Internal components (5 of 7) on page 447
RC2-4527-000CN	Guide	Internal components (5 of 7) on page 447
RC2-4547-000CN	Tray, face-down swing	External covers, panels, and doors: on page 433
RC2-4566-000CN	Guide, paper feed, simplex	Internal components (1 of 7) on page 439
RC2-4573-000CN	Holder, right door handle	Internal components (1 of 7) on page 439
RC2-4726-000CN	Link, right door	Internal components (5 of 7) on page 447

Table 4-28 Numerical parts list (continued)

Part number	Description	Table and page
RC2-4741-000CN	Guide, cassette option	Internal components (5 of 7) on page 447
RC2-4747-000CN	Cover, M.P. crossmember R	Right door assembly on page 435
RC2-5356-000CN	Cover, right front, 1x500	Paper feeder external covers, panels, and doors on page 471
RC2-5357-000CN	Cover, right front, 3x500	Paper feeder external covers, panels, and doors on page 471
RC2-5377-000CN	Door, stock, 1x500	Paper feeder external covers, panels, and doors on page 471
RC2-5378-000CN	Cover, rear lower	Paper feeder external covers, panels, and doors on page 471
RC2-5379-000CN	Cover, rear	Paper feeder external covers, panels, and doors on page 471
RC2-5380-000CN	Cover, right rear	Paper feeder external covers, panels, and doors on page 471
RC2-5393-000CN	Cover, left	Paper feeder external covers, panels, and doors on page 471
RC2-5394-000CN	Cover, right center	Paper feeder external covers, panels, and doors on page 471
RC2-5962-000CN	Cover	Internal components (2 of 7) on page 441
RC2-8213-000CN	Cover, left rear	External covers, panels, and doors; on page 433
RC2-8239-000CN	Holder, duct cable	Internal components (5 of 7) on page 447
RC2-9189-000CN	Cover, M.P. cross member	Internal components (5 of 7) on page 447
RC2-9719-000CN	Bushing	Internal components (2 of 7) on page 441
RK2-2415-000CN	Developing disengaging motor	Internal components 6 of 7 on page 449
RK2-2418-000CN	Cartridge fan	Internal components 6 of 7 on page 449
RK2-2577-000CN	Fan	Internal components 7 of 7 on page 451
RK2-2603-000CN	Cable, flexible flat, H.V.T.	Internal components 7 of 7 on page 451

Table 4-28 Numerical parts list (continued)

Part number	Description	Table and page
RK2-2604-000CN	Flat flexible cable (DCC to HVPS lower)	Internal components 6 of 7 on page 449
RL1-1937-000CN	Separation pad (Tray 1)	Tray 1 paper pickup assembly on page 457
RL1-2099-000CN	Roller, paper pickup	Paper pickup assembly on page 455
RM1-0037-020CN	Paper feed roller	Paper pickup assembly on page 455
RM1-5486-000CN	Crg. Guide lower assembly	Internal components (2 of 7) on page 441
RM1-5488-000CN	Shutter assembly	Internal components (2 of 7) on page 441
RM1-5489-000CN	Shutter assembly	Internal components (2 of 7) on page 441
RM1-5492-000CN	Front light guide assembly	Internal components (4 of 7) on page 445
RM1-5494-000CN	Face-down tray assembly	External covers, panels, and doors; on page 433
RM1-5495-000CN	Front inner cover upper assembly	Internal components (3 of 7) on page 443
RM1-5496-000CN	Interlock assembly	Internal components (3 of 7) on page 443
RM1-5498-000CN	Flexible flat cable assembly (includes two FFC; DCC to laser/ scanner)	Internal components 6 of 7 on page 449
RM1-5499-000CN	Cartridge fan assembly	Internal components (4 of 7) on page 445
RM1-5500-000CN	Position detect assembly	Internal components (4 of 7) on page 445
RM1-5501-000CN	Paper delivery fan assembly	Internal components (1 of 7) on page 439
RM1-5502-000CN	Contact assembly	Internal components 7 of 7 on page 451
RM1-5504-000CN	Cassette guide assembly	Internal components (5 of 7) on page 447
RM1-5506-000CN	Front door assembly	Front door assembly on page 437
RM1-5507-000CN	Right handle cover assembly	External covers, panels, and doors; on page 433
RM1-5508-000CN	Rear cover assembly	External covers, panels, and doors; on page 433
RM1-5509-000CN	Right door assembly	Right door assembly on page 435
RM1-5519-000CN	Waste toner duct assembly	Internal components (3 of 7) on page 443

Table 4-28 Numerical parts list (continued)

Part number	Description	Table and page
RM1-5520-000CN	Cover, inner	External covers, panels, and doors; on page 433
RM1-5521-000CN	Main DC motor assembly	Internal components 6 of 7 on page 449
RM1-5525-000CN	Paper feed roller assembly	Internal components (5 of 7) on page 447
RM1-5531-000CN	Duplexing guide assembly, duplex	Internal components (1 of 7) on page 439
RM1-5545-000CN	Waste toner detect assembly	Internal components (3 of 7) on page 443
RM1-5546-000CN	Duplexing drive assembly	Internal components 6 of 7 on page 449
RM1-5549-000CN	Paper pickup drive assembly	Internal components 6 of 7 on page 449
RM1-5582-000CN	Power switch assembly	Internal components (3 of 7) on page 443
RM1-5583-000CN	Paper delivery fan duct assembly	Internal components (1 of 7) on page 439
RM1-5584-000CN	Waste toner paper feed assembly	Internal components (3 of 7) on page 443
RM1-5585-000CN	Shutter arm assembly	Internal components (2 of 7) on page 441
RM1-5586-000CN	Shutter arm assembly	Internal components (2 of 7) on page 441
RM1-5598-000CN	Front inner cover lower assembly	Internal components (3 of 7) on page 443
RM1-5605-000CN	Waste toner motor assembly	Internal components (4 of 7) on page 445
RM1-5636-020CN	Inner connecting PCA assembly	PCAs on page 467
RM1-5641-000CN	Density detect assembly	Internal components (5 of 7) on page 447
RM1-5656-000CN	Fuser drive assembly, duplex	Internal components 6 of 7 on page 449
RM1-5724-000CN	H.V. power supply cable assembly	Internal components 7 of 7 on page 451
RM1-5758-000CN	DC controller PCA assembly	PCAs on page 467
RM1-5763-000CN	Low voltage power supply PCA assembly, 110V	PCAs on page 467
RM1-5764-000CN	Low voltage power supply PCA assembly, 220V	PCAs on page 467
RM1-5771-020CN	Toner remain PCA assembly	PCAs on page 467
RM1-5777-000CN	ITB motor assembly	Internal components 6 of 7 on page 449
RM1-5779-000CN	High voltage power supply PCA, lower (includes FFC; DCC to HVPS lower)	PCAs on page 467

Table 4-28 Numerical parts list (continued)

Part number	Description	Table and page
RM1-5781-000CN	High voltage power supply, upper	PCAs on page 467
RM1-5786-000CN	Control-panel assembly	External covers, panels, and doors; on page 433
RM1-5799-000CN	Connecting cable assembly	Internal components 7 of 7 on page 451
RM1-5800-000CN	Upper main cable assembly	Internal components 7 of 7 on page 451
RM1-5801-000CN	Lower main cable assembly	Internal components 7 of 7 on page 451
RM1-5803-000CN	Duplexing cable assembly, duplex	Internal components 7 of 7 on page 451
RM1-5804-000CN	Feed cable assembly	Internal components 7 of 7 on page 451
RM1-5807-000CN	Switch cable assembly	Internal components 7 of 7 on page 451
RM1-5811-000CN	Connecting cable assembly	Internal components 7 of 7 on page 451
RM1-5812-000CN	Connecting cable assembly	Internal components 7 of 7 on page 451
RM1-5814-000CN	Control panel cable assembly	Internal components 7 of 7 on page 451
RM1-5815-000CN	Sensor cable assembly	Internal components 7 of 7 on page 451
RM1-5816-000CN	Interlock switch cable assembly	Internal components 7 of 7 on page 451
RM1-5821-000CN	Fan cable assembly	Internal components 7 of 7 on page 451
RM1-5854-000CN	Feeder PCA assembly, 1x500	1 X 500 paper feeder main body on page 473
RM1-5913-000CN	Lifter base assembly	Internal components (2 of 7) on page 441
RM1-5913-000CN	Lifter base assembly	1 X 500 paper feeder main body on page 473
RM1-5913-000CN	Lifter base assembly	3 X 500 paper feeder main body on page 475
RM1-5914-000CN	Lifter assembly	Internal components 6 of 7 on page 449
RM1-5914-000CN	Lifter assembly	1 X 500 paper feeder main body on page 473
RM1-5914-000CN	Lifter assembly	3 X 500 paper feeder main body on page 475
RM1-5919-000CN	Paper pickup assembly	Paper pickup assembly on page 455
RM1-5928-000CN	Cassette	Cassette on page 453

Table 4-28 Numerical parts list (continued)

Part number	Description	Table and page
RM1-5928-000CN	Cassette	Paper feeders on page 469
RM1-5929-000CN	Paper pickup assembly	1 X 500 paper feeder main body on page 473
RM1-5929-000CN	Paper pickup assembly	3 X 500 paper feeder main body on page 475
RM1-5934-000CN	Paper pickup drive assembly, 1x500	1 X 500 paper feeder main body on page 473
RM1-5935-000CN	Paper pickup drive assembly 3x500	3 X 500 paper feeder main body on page 475
RM1-5936-000CN	Right door assembly 1x500	Paper feeder external covers, panels, and doors on page 471
RM1-5937-000CN	Right door assembly 3x500	Paper feeder external covers, panels, and doors on page 471
RM1-5958-000CN	Feeder PCA assembly 3x500	3 X 500 paper feeder main body on page 475
RM1-6195-000CN	Cassette rail right assembly	Internal components (3 of 7) on page 443
RM1-6196-000CN	Cassette rail left assembly	Internal components (3 of 7) on page 443
RM1-6694-000CN	High voltage holder assembly	Internal components (3 of 7) on page 443
RM1-6695-000CN	Cable cover assembly	Internal components (5 of 7) on page 447
RM1-6702-000CN	Fuser drive assembly, simplex	Internal components 6 of 7 on page 449
RU6-2235-000CN	Spring, tension	Internal components (4 of 7) on page 445
RU6-2236-000CN	Spring, tension	Internal components (3 of 7) on page 443
RU6-2237-000CN	Spring, grounding	Internal components (3 of 7) on page 443
RU6-2247-000CN	Spring, torsion	Internal components (2 of 7) on page 441
RU6-2310-000CN	Spring, compression	Internal components (1 of 7) on page 439
RU6-2316-000CN	Spring, compression	Internal components (3 of 7) on page 443
RU6-2376-000CN	Spring, tension	Internal components (4 of 7) on page 445
RU6-2468-000CN	Spring, tension	Internal components 6 of 7 on page 449
WC2-5637-000CN	Switch, push	Internal components (3 of 7) on page 443

Table 4-28 Numerical parts list (continued)

Part number	Description	Table and page
WC2-5637-000CN	Switch, push	Internal components 7 of 7 on page 451
WC4-5303-000CN	Switch	Internal components (3 of 7) on page 443
WG8-5696-000CN	Photo interrupter, TLP1243	Internal components (1 of 7) on page 439
WG8-5696-000CN	Photo interrupter	Internal components (3 of 7) on page 443
WG8-5696-000CN	Photo interrupter	Internal components (4 of 7) on page 445