

---

# 3 Parts and diagrams

- [Order parts by authorized service providers](#)
- [How to use the parts lists and diagrams](#)
- [Assembly locations](#)
- [Covers, panels, and doors](#)
- [Internal assembly](#)
- [PCAs](#)
- [Scanner and document feeder \(ADF\) main assemblies](#)
- [Document feeder internal components](#)
- [Alphabetical parts list](#)
- [Numerical parts list](#)

# Order parts by authorized service providers

## Order replacement parts

**Table 3-1 Order parts, accessories, and supplies**

Order supplies and paper	<a href="http://www.hp.com/go/suresupply">www.hp.com/go/suresupply</a>
Order genuine HP parts or accessories	<a href="http://www.hp.com/buy/parts">www.hp.com/buy/parts</a>
Order through service or support providers	Contact an HP-authorized service or support provider.

## Related documentation and software

**Table 3-2 Related documentation and software**


Item	Description	Part number
<i>HP LaserJet Pro 100 Color MFP M175 User Guide</i>	Product user guide.	CE865-90907
<i>HP LaserJet Pro 100 Color MFP M175 Service Manual</i>	English service manual (this manual)	CE865-90968

## Supplies part numbers

**Table 3-3 Supplies part numbers**


Item	Selectability number	Color	Part number, new	Part number, service
HP LaserJet print cartridge	126A	Black	CE310A	CE310-67901
		Cyan	CE311A	CE311-67901
		Yellow	CE312A	CE312-67901
		Magenta	CE313A	CE313-67901
Imaging drum			CE314A	CE314-67901
Imaging drum cover	126A			CE314-67902

## Service parts

 **NOTE:** The parts in the following table are not shown in the assembly illustrations in this chapter.

Item	Description	Part number
HP jewel	HP logo	7121-8266
Regulatory label	Blank label	5969-9497

## Whole-unit replacement part numbers


 **NOTE:** Whole-unit replacement products include the formatter PCA.


**Table 3-4 Whole-unit replacement part numbers**

Item	Description	Part number
HP LaserJet Pro 100 Color MFP M175a	110 V	CE913-67001 (new)
		CE913-69001 (exchange)
	220 V	CE913-67002 (new)
		CE913-67002 (new; China)
		CE913-69002 (exchange)
		CE913-69003 (exchange; China)
HP LaserJet Pro 100 Color MFP M175nw	110 V	CE914-67001 (new)
		CE914-69001 (exchange)
	220 V	CE914-67002 (new)
		CE914-67003 (new; China)
		CE914-69002 (exchange)
		CE914-69003 (exchange; China)

## How to use the parts lists and diagrams

---

 **CAUTION:** Be sure to order the correct part. When looking for part numbers for electrical components, pay careful attention to the voltage that is listed. Doing so will make sure that the part number selected is for the correct model.

 **NOTE:** In this manual, the abbreviation “PCA” stands for “printed circuit-board assembly.” Components described as a PCA might consist of a single circuit board or a circuit board plus other parts, such as cables and sensors.

---

The figures in this chapter show the major subassemblies in the product and their component parts. A parts list table follows each exploded view assembly diagram. Each table lists the item number, the associated part number, and the description of each part. If a part is not listed in the table, then it is not a field replacement unit (FRU).

# Assembly locations

## Base product (no optional trays or accessories)

Figure 3-1 Base product (no optional trays or accessories)

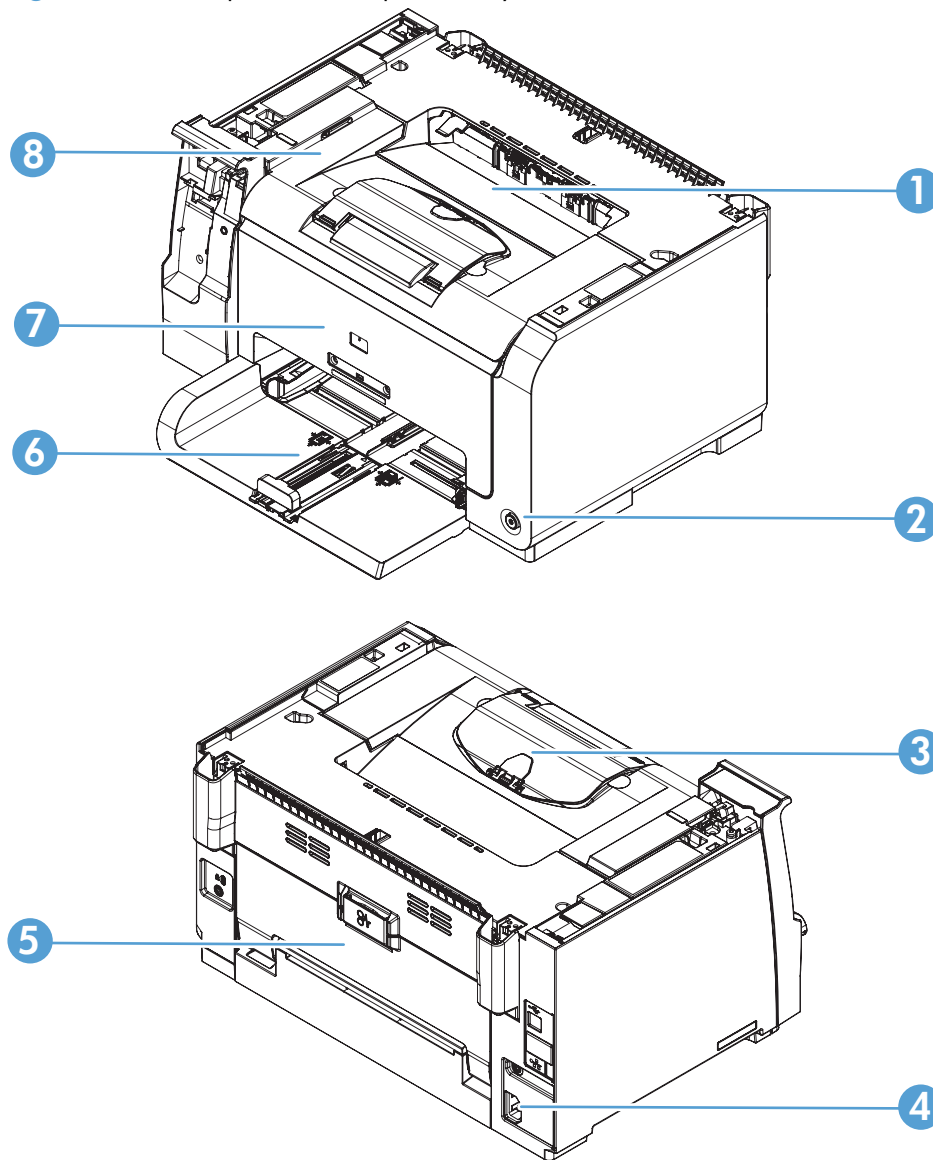
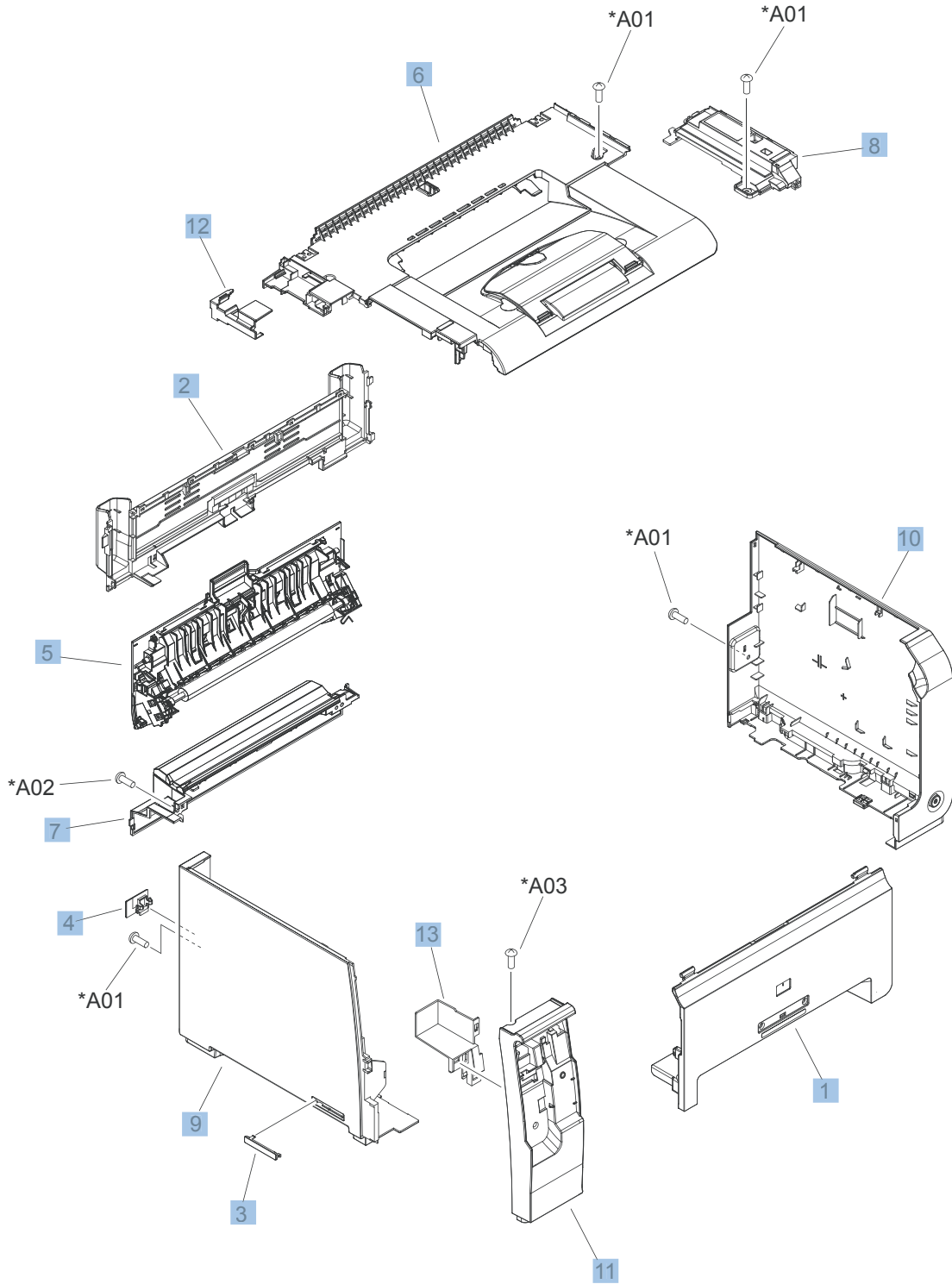


Table 3-5 Base product

Item	Description	Item	Description
1	Face-down output bin	5	Rear door assembly
2	Power switch	6	Input tray
3	Extension tray	7	Front door
4	Power receptacle	8	Top door assembly

# Covers, panels, and doors

Figure 3-2 Covers, panels, and doors



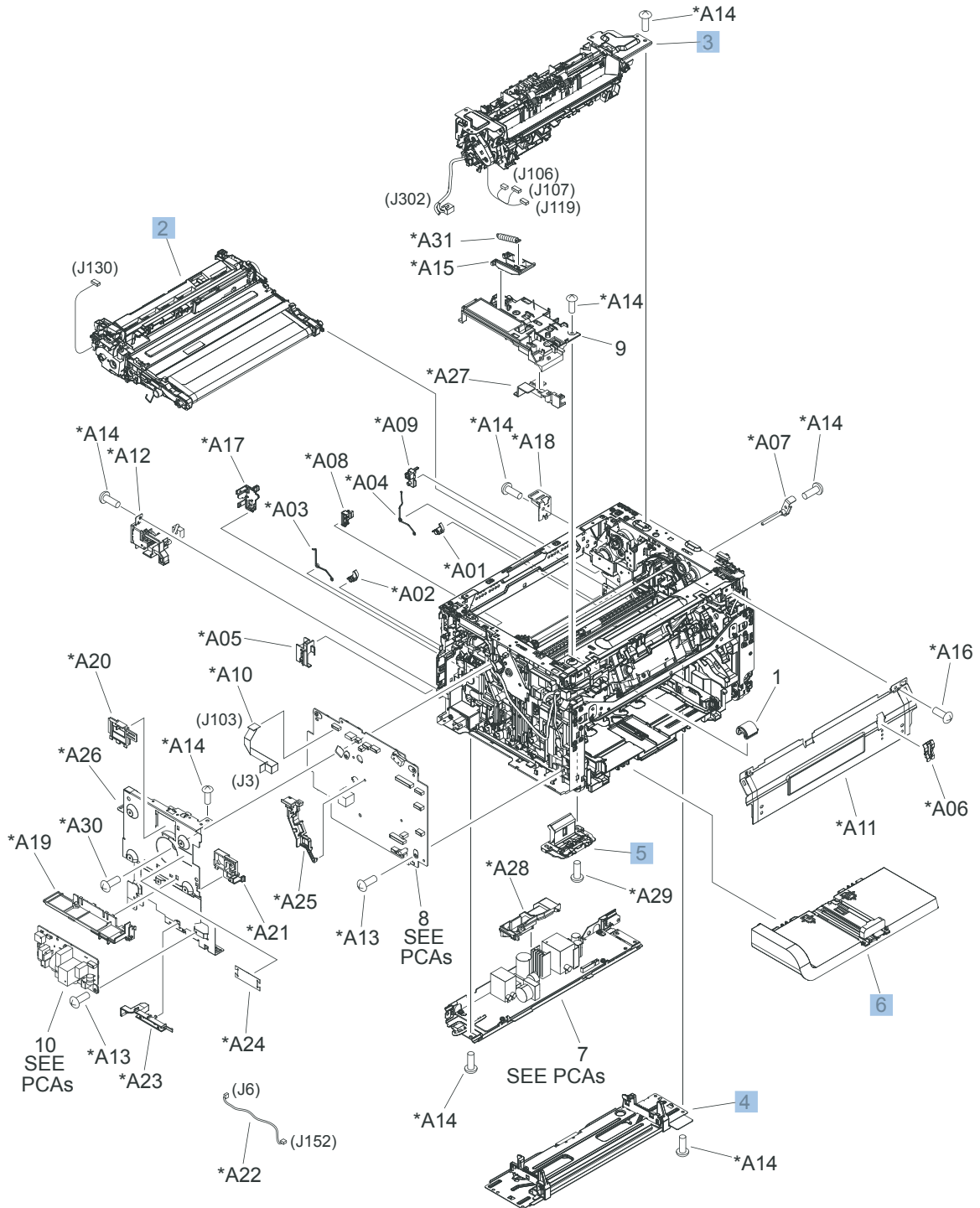
**Table 3-6 Covers, panels, and doors**

<b>Ref</b>	<b>Description</b>	<b>Part number</b>	<b>Qty</b>
1	Door, front	RL1-3287-000	1
2	Cover, fixing	RC3-1294-000	1
3	Cover, blanking	RC3-1287-000	1
4	Cover, network plug	RC3-1808-000	1
5	Rear cover/2nd transfer assembly	RM1-7216-000	1
6	Upper cover assembly	RM1-7278-000	1
7	Power supply cover assembly	RM1-7235-000	1
8	Cover, right upper	RL1-3290-000	1
9	Cover, left	RL1-2729-000	1
10	Right cover assembly	RM1-7280-000	1
11	Cover, left front	RC3-1288-000	1
12	Guide, flexible flat cable	RC3-1799-000	1
13	Cover, CP hole	RC3-1289-000	1

# Internal assembly

## Internal assembly

Figure 3-3 Internal assembly



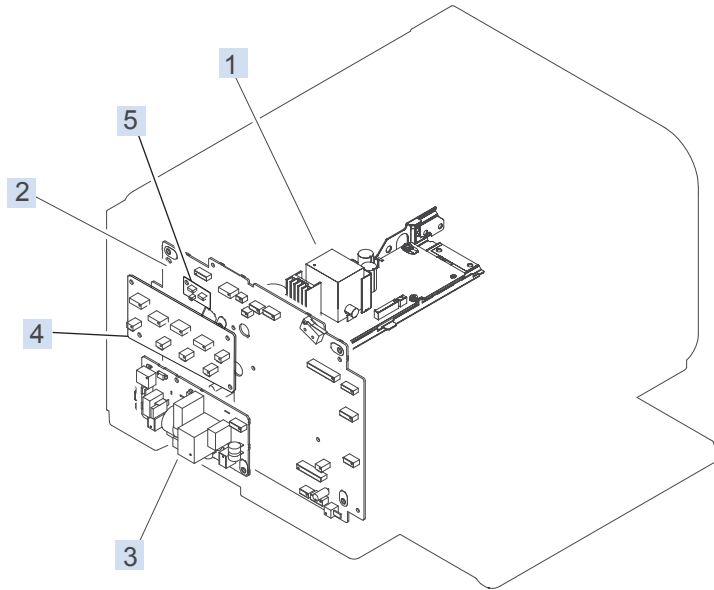


**Table 3-7 Internal assembly)**

<b>Ref</b>	<b>Description</b>	<b>Part number</b>	<b>Qty</b>
1	Roller, paper pick-up	RL1-2671-000	1
2	Intermediate transfer belt assembly (ITB)	RM1-7274-000	1
3	Paper delivery assembly, fuser (110-127 V)	RM1-7211-000	1
3	Paper delivery assembly, fuser (220–240 V)	RM1-7269-000	1
4	Plate assembly, base	RM1-7213-000	1
5	Pad assembly, separation	RM1-7228-000	1
6	Tray, main assembly	RM1-7276-000	1
7	Cover assembly, inner	RM1-7279-000	1

# PCAs

Figure 3-4 PCAs

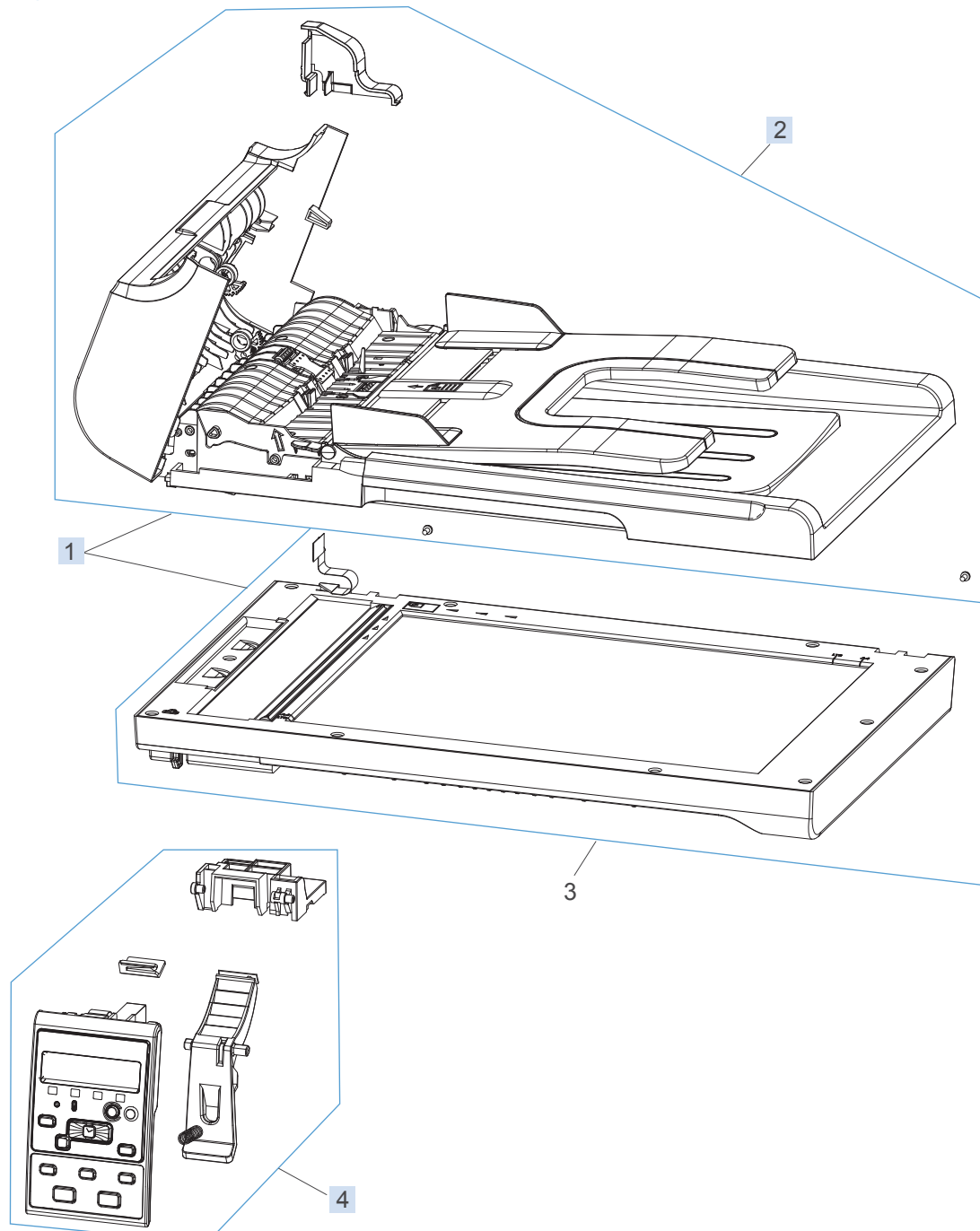


**Table 3-8 PCAs**

<b>Ref</b>	<b>Description</b>	<b>Part number</b>	<b>Qty</b>
1	Power supply, low-voltage (110-127 V)	RM1-8203-000	1
1	Power supply, low-voltage (220-240 V)	RM1-8204-000	1
2	Engine controller PCA	RM1-8205-000	1
3	Fuser power supply PCA (110-127 V)	RM1-8201-000	1
3	Fuser power supply PCA (220-240 V)	RM1-8202-000	1
4	Formatter, base	CE865-60001	1
4	Formatter, wireless	CE938-60001	1
5	Wireless N module (wireless models only)	1150-7940	1

# Scanner and document feeder (ADF) main assemblies

Figure 3-5 Scanner and document feeder main assemblies

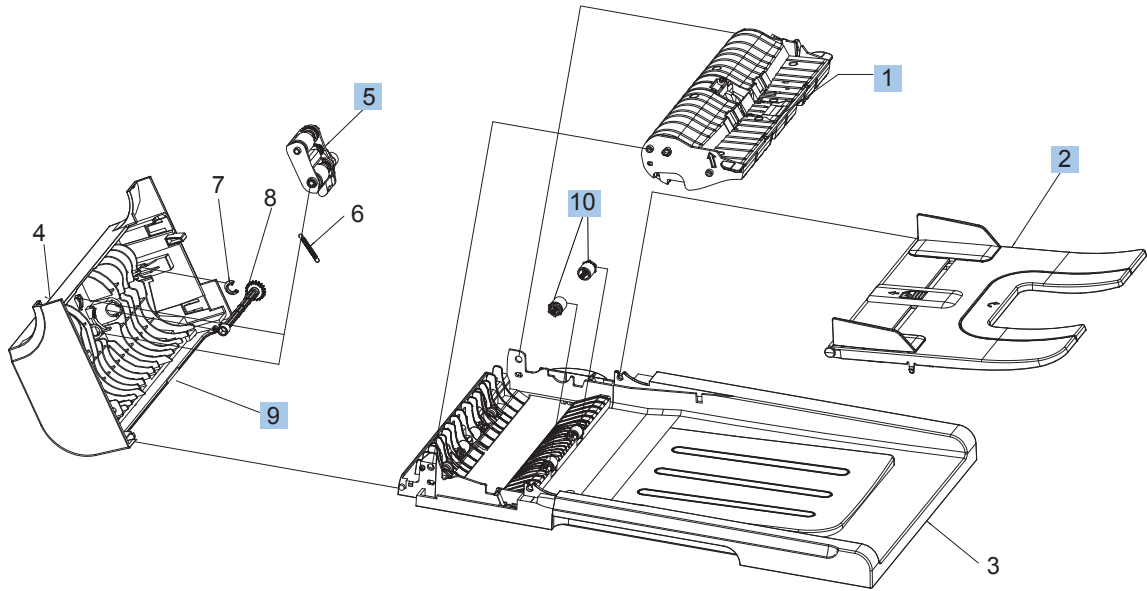


**Table 3-9 Scanner and document feeder main assemblies**

<b>Ref</b>	<b>Description</b>	<b>Part number</b>	<b>Qty</b>
1	Scanner/ADF assembly (no control panel)	CE865-60125	
2	Document feeder (ADF) assembly	CE865-60121	1
4	Control panel assembly, Western	CE865-60106	1
4	Control panel assembly, Asian	CE865-60107	1
Not shown	Hinge, floating	CE538-60135	2
Not shown	Latch, ADF	Q8191-00004	1
Not shown	Hinge, control panel	CE865-40056	1
Not shown	Lever, control panel	CE865-40054	1
Not shown	Spring, control panel	CE865-00009	1

# Document feeder internal components

Figure 3-6 Document feeder assembly parts



**Table 3-10 Document feeder assembly parts**

<b>Ref</b>	<b>Description</b>	<b>Part number</b>	<b>Qty</b>
1	Separation pad assembly (ADF)	Q7400-60005	1
2	Input tray, assembly (ADF)	CE538-60122	1
Not shown	Input tray, only (ADF)	CE865-40033	1
5	Pick arm assembly (ADF)	CE538-60137	1
9	Cover, inner (ADF)	CE538-40028	1
10	Roller assembly, post-scan pinch (ADF)	Q7400-60163	2
Not shown	Paper guide-front polished, (ADF)	CE538-40034	1
Not shown	Paper guide-rear polished, (ADF)	CE538-40035	1