
2 Parts and diagrams

- [Order parts by authorized service providers](#)
- [How to use the parts lists and diagrams](#)
- [Assembly locations](#)
- [Covers, panels, and doors](#)
- [Internal assemblies](#)
- [Scanner and document feeder \(ADF\) main assemblies](#)
- [Document feeder internal components](#)
- [Alphabetical parts list](#)
- [Numerical parts list](#)

Order parts by authorized service providers

Order replacement parts

Table 2-1 Order parts, accessories, and supplies

Order supplies and paper	www.hp.com/go/suresupply
Order genuine HP parts or accessories	www.hp.com/buy/parts
Order through service or support providers	Contact an HP-authorized service or support provider

Related documentation and software

Table 2-2 Related documentation and software

Item	Description	Part number
<i>HP LaserJet Pro 200 Color MFP Series User Guide</i>	Product user guide	CF144-90936
<i>HP LaserJet Pro 200 Color MFP Series Service Manual</i> (this manual)	English service manual (this manual)	CF144-90934

Supplies part numbers

Table 2-3 Supplies part numbers

Item	Description	Part number
HP LaserJet toner cartridges	Black	CF210-67901
	Cyan	CF211-67901
	Yellow	CF212-67901
	Magenta	CF213-67901

Service parts


 **NOTE:** The parts in the following table are not shown in the assembly illustrations in this chapter.

Table 2-4 Service parts

Item	Description	Part number
HP jewel	HP logo	7121-8496

Customer self repair parts

Table 2-5 Customer replaceable units (CRU) kit part numbers

Item	Description	Part number
Tray	Instructions, install paper tray (tray)	RM1-8772-000

Whole-unit replacement part numbers




 **NOTE:** Whole-unit replacement products include the formatter PCA.

Table 2-6 Whole-unit replacement part numbers

Item	Description	Part number
HP LaserJet Pro 200 color M276n MFP	110 V	<ul style="list-style-type: none"> CF144-67001 (North American Region, and Taiwan); New CF144-67006 (Brasil); New
	220 V	<ul style="list-style-type: none"> CF144-69001 (Europe, Middle East, and Africa); Exchange CF144-67003 (China, and Malaysia); New CF144-67004 (Asian Pacific, and Latin America Region); New CF144-67005 (Chile, and Argentina); New
	110 V	<ul style="list-style-type: none"> CF145-67001 (North American Region, and Taiwan); New CF145-67006 (Brasil); New
	220 V	<ul style="list-style-type: none"> CF145-69002 (Europe, Middle East, and Africa); Exchange CF145-67003 (China, and Malaysia); New CF145-67004 (Asian Pacific, and Latin American Region); New CF145-67005 (Chile, and Argentina); New

How to use the parts lists and diagrams

 **CAUTION:** Be sure to order the correct part. When looking for part numbers for electrical components, pay careful attention to the voltage that is listed. Doing so will ensure that the part number selected is for the correct model.

 **NOTE:** In this manual, the abbreviation “PCA” stands for “printed circuit-board assembly.” Components described as a PCA might consist of a single circuit board or a circuit board plus other parts, such as cables and sensors.

The figures in this chapter show the major subassemblies in the product and their component parts. A parts list table follows each exploded view assembly diagram. Each table lists the item number, the associated part number, and the description of each part. If a part is not listed in the table, then it is not a field replacement unit (FRU).

Assembly locations

Base product

Figure 2-1 Base product

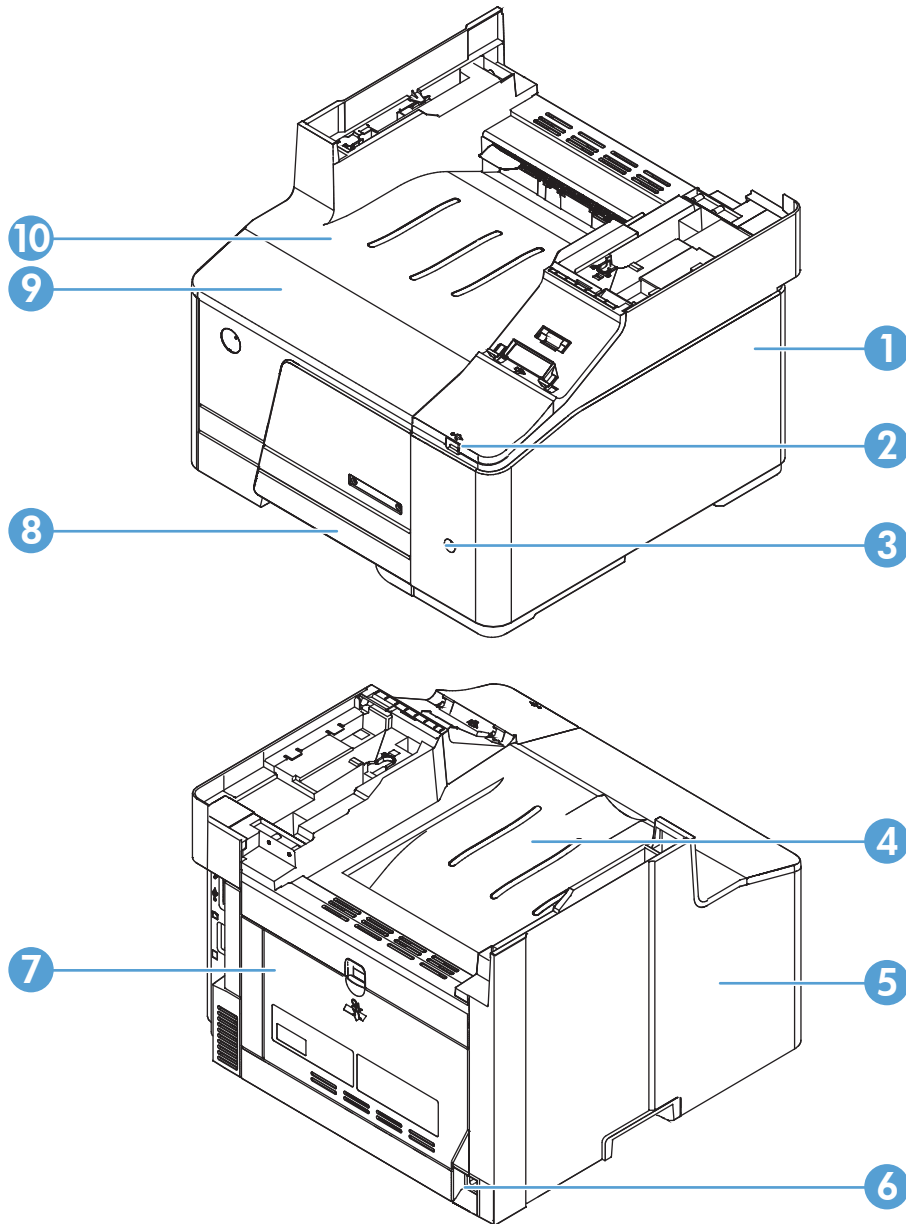


Table 2-7 Assembly locations

Item	Description	Item	Description
1	Right cover	6	Power inlet
2	Right-upper cover	7	Rear door
3	Power button	8	Front cover

Table 2-7 Assembly locations (continued)

Item	Description	Item	Description
4	Output bin	9	Front door
5	Left cover	10	Upper cover

Covers, panels, and doors

Figure 2-2 Covers, panels, and doors

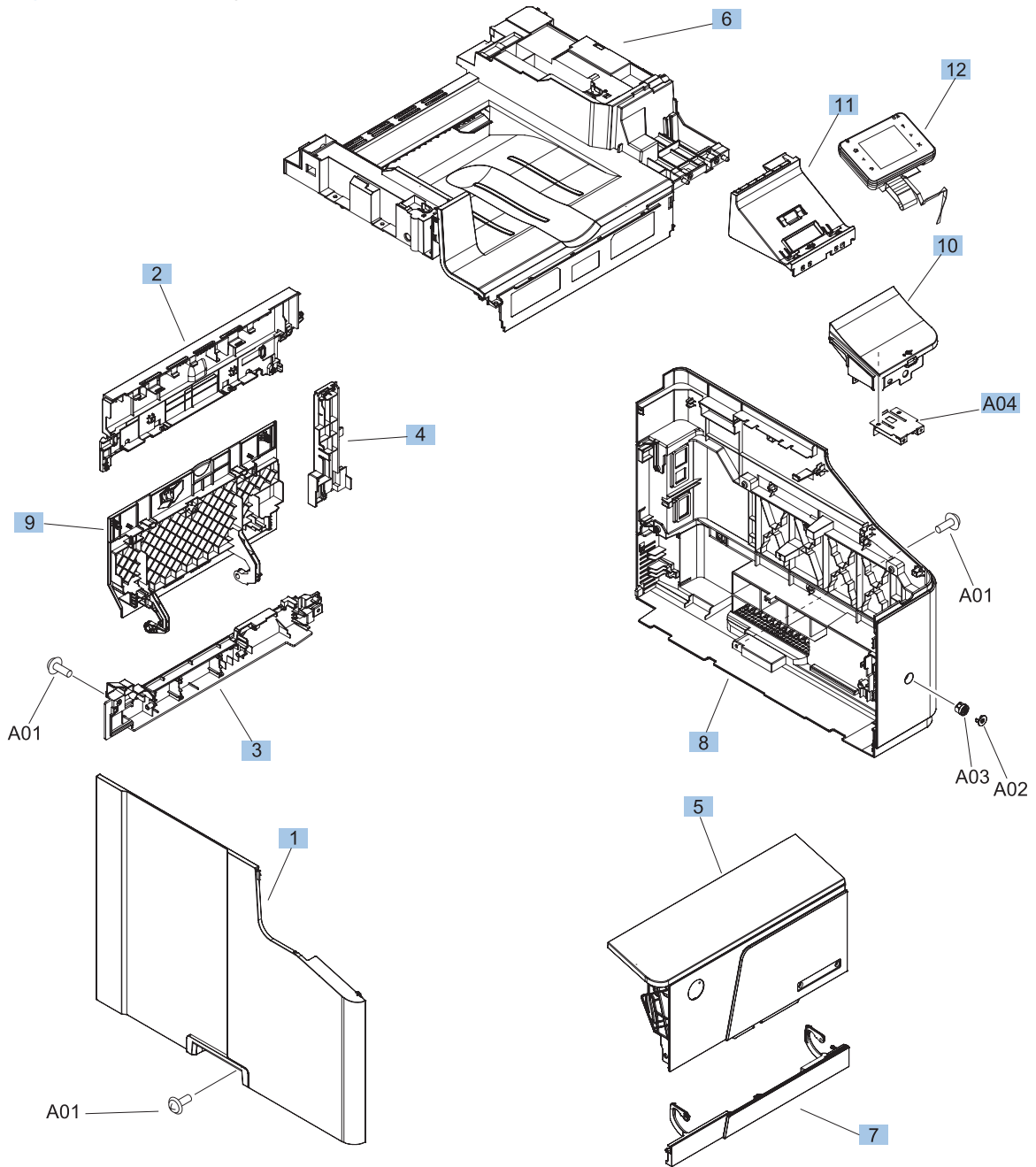


Table 2-8 Covers, panels, and doors

Ref	Description	Part number	Qty
1	Cover, left	RC3-2793-000	1
2	Cover, rear upper	RC3-2795-000	1
3	Cover, rear lower	RC3-2658-000	1
4	Cover, rear right	RC3-2657-000	1
5	Door, front	RM1-8795-000	1
6	Cover, upper assembly	RM1-8796-000	1
7	Cover, front	RM1-8769-000	1
8	Cover, right	RM1-8797-00	1
9	Door, rear	RC3-2659-000	1
10	Cover, right-upper	RC3-2788-000	1
11	Cover, upper-right	RC3-2800-000	1
12	Control-panel assembly	CF145-60101	
A04	USB PCA	CF368-60001	1
A02, A03	Power switch	RM1-8711-000	1

Internal assemblies

Figure 2-3 Internal components (1 of 4)

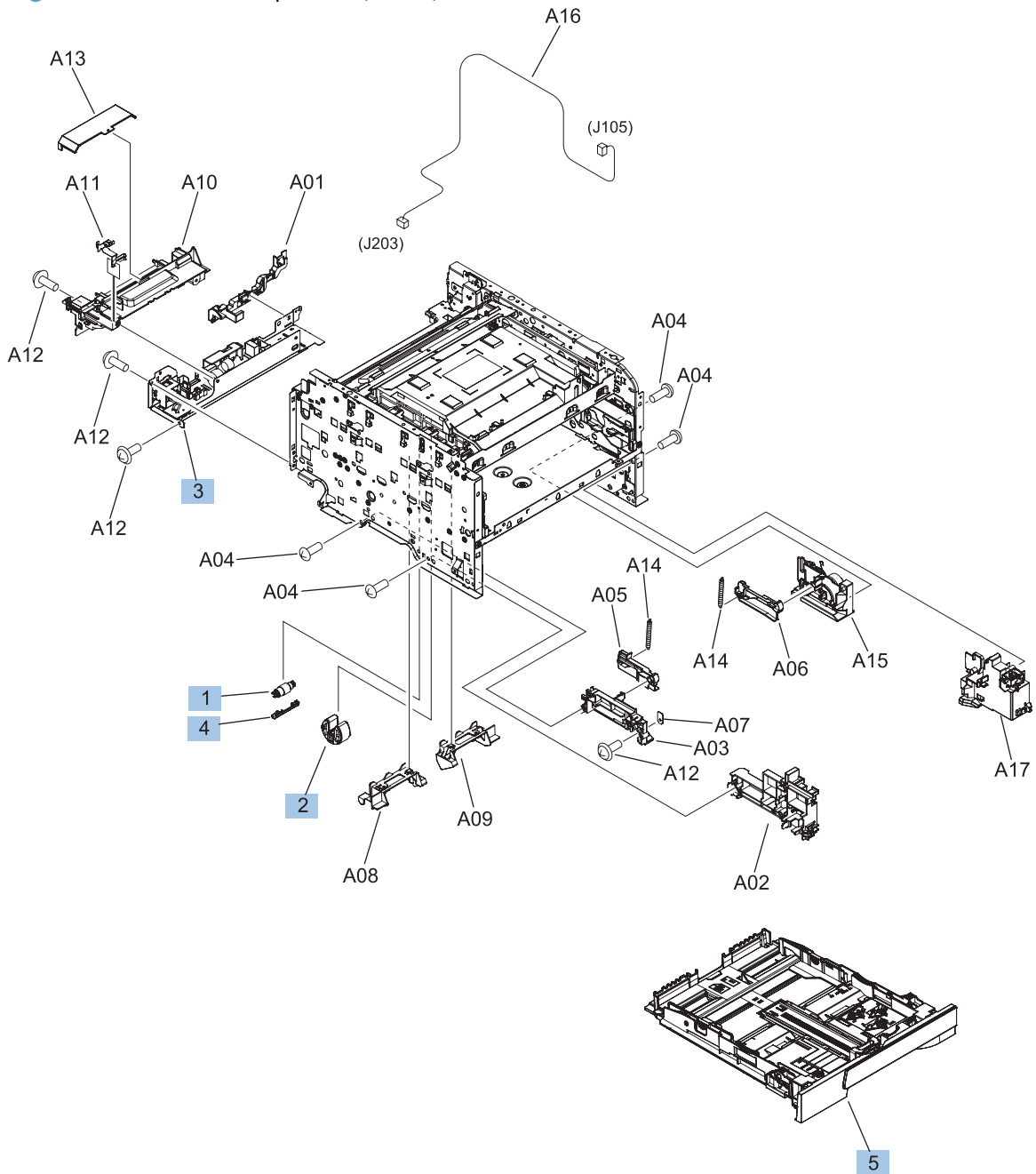


Table 2-9 Internal components (1 of 4)

Ref	Description	Part number	Qty
1	Roller, separation assembly	RM1-8765-000	1
2	Roller, pickup assembly	RM1-8047-000	1
3	Fuser power supply assembly (220V-240V)	RM1-8710-000	1
3	Fuser power supply assembly (110V-127V)	RM1-8709-000	1
4	Cover, holder	RC2-2014-000	1
5	Tray assembly	RM1-8772-000	1

Figure 2-4 Internal components (2 of 4)

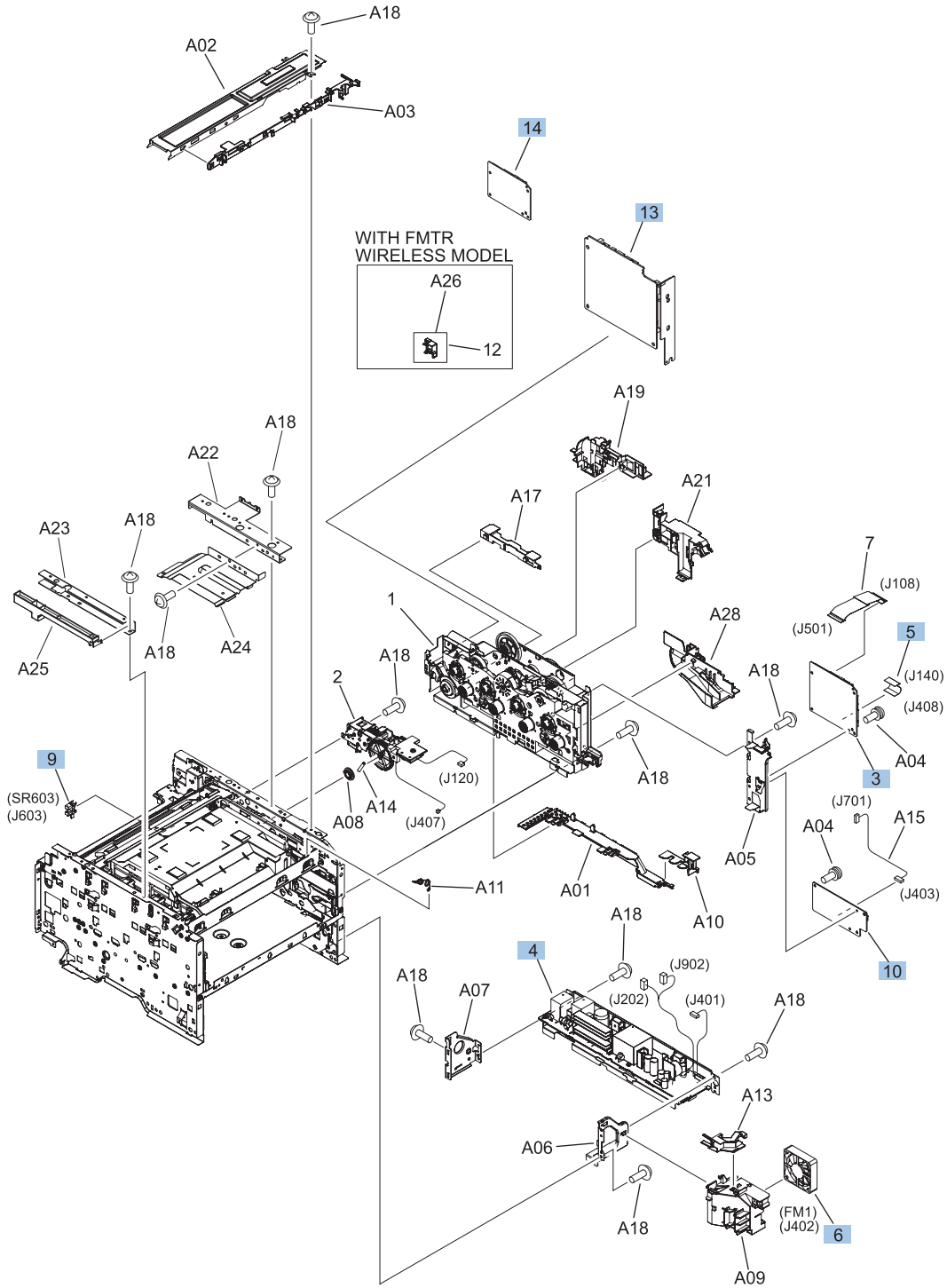


Table 2-10 Internal components (2 of 4)

Ref	Description	Part number	Qty
1	Main drive assembly	RM1-9328-000	1
2	Sub drive assembly	RM1-8785-000	1
3	DC controller PCA	RM1-8704-000	1
4	Low voltage power supply assembly (110V-127V)	RM1-9012-000	1
4	Low voltage power supply assembly (220V-240V)	RM1-9014-000	1
5	Cable, flexible flat (base, network model)	RK2-4540-000	1
6	Fan	RK2-4255-000	1
10	PCA, driver assembly	RM1-8706-000	1
11	Cable, flexible flat (network model)	RK2-4546-000	1
13	Formatter PCA	CF224-60001	1
13	Fax PCA (U.S.)	CF206-60001	1
13	Fax PCA (Europe)	CF207-60001	1
13	Fax PCA (Brazil)	CF208-60001	1
14	Wireless PCA	1150-7940	1

Figure 2-5 Internal components (3 of 4)

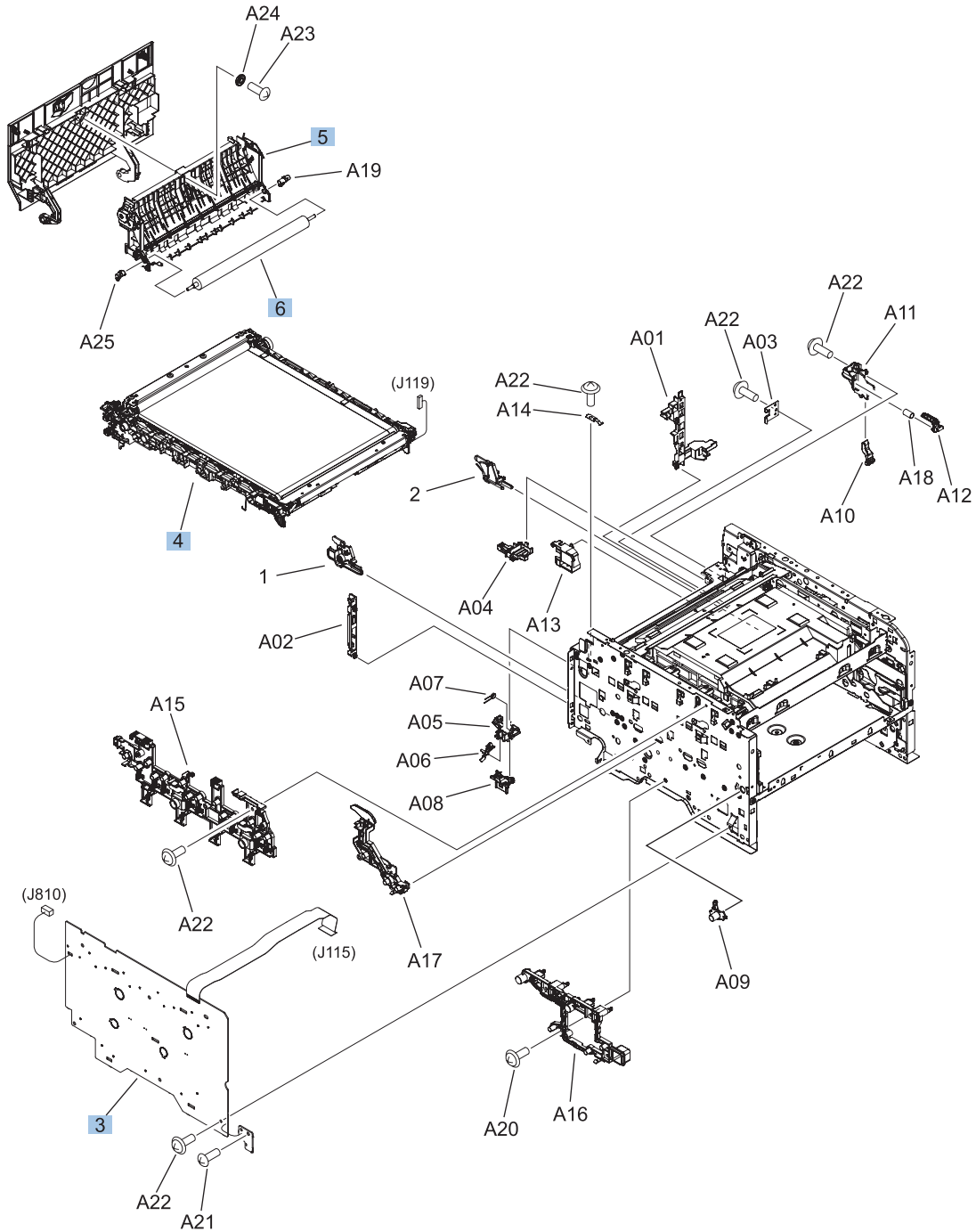


Table 2-11 Internal components (3 of 4)

Ref	Description	Part number	Qty
1	ITB lock lever assembly, left	RM1-4482-000	1
2	ITB lock lever assembly, right	RM1-4483-000	1
3	High voltage PCA	RM1-8705-000	1
4	Intermediate transfer belt assembly (ITB)	RM1-8777-000	1
5	Paper feed guide assembly	RM1-8779-000	1
6	Roller, transfer	RM1-4445-000	1

Figure 2-6 Internal components (4 of 4)

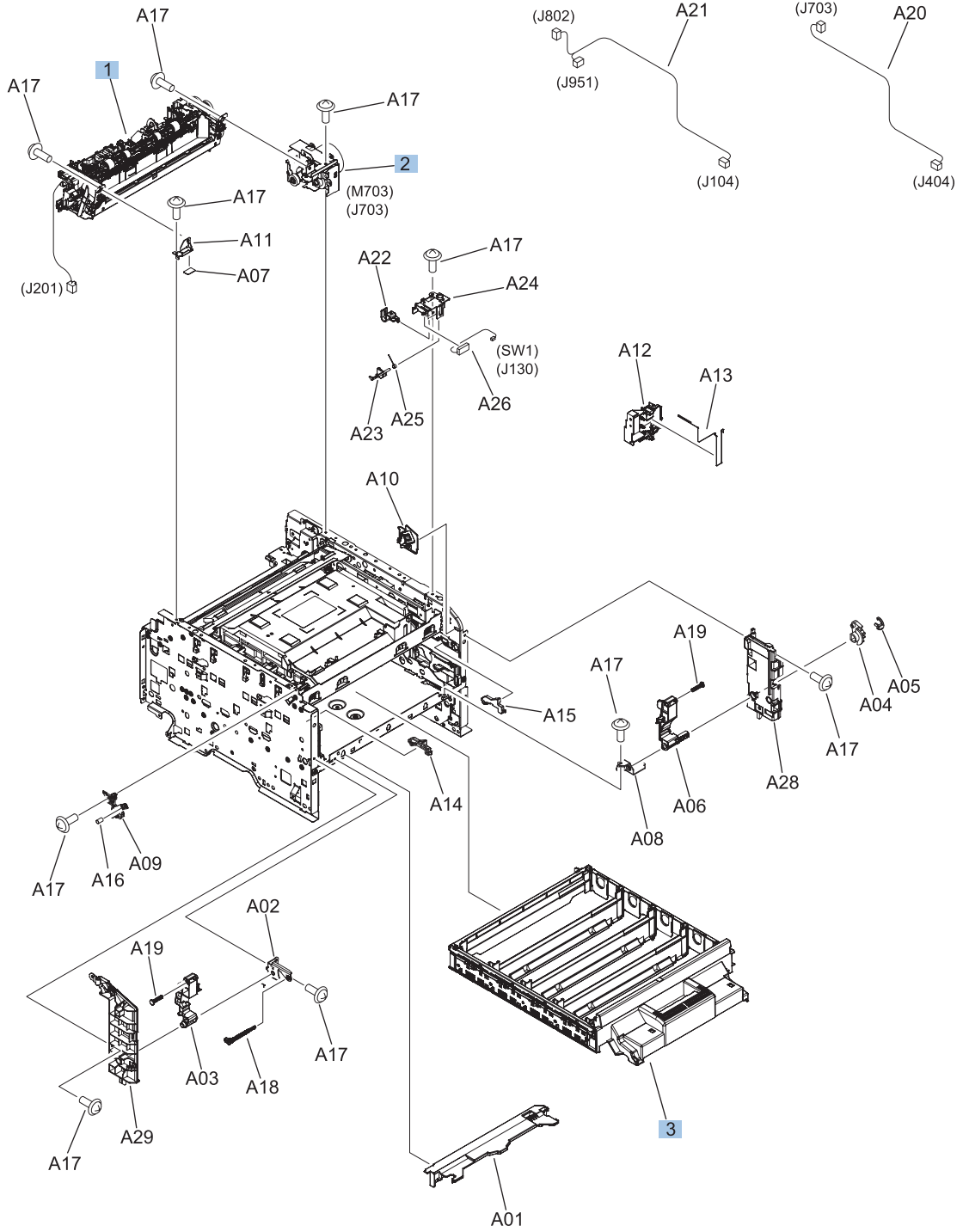


Table 2-12 Internal components (4 of 4)

Ref	Description	Part number	Qty
1	Fuser assembly (110V-127V)	RM1-8780-000	1
1	Fuser assembly (220V-240V)	RM1-8781-000	1
2	Fuser drive assembly	RM1-8784-000	1
3	Cartridge tray assembly	RM1-8774-000	1

Scanner and document feeder (ADF) main assemblies

Figure 2-7 Scanner and document feeder main assemblies

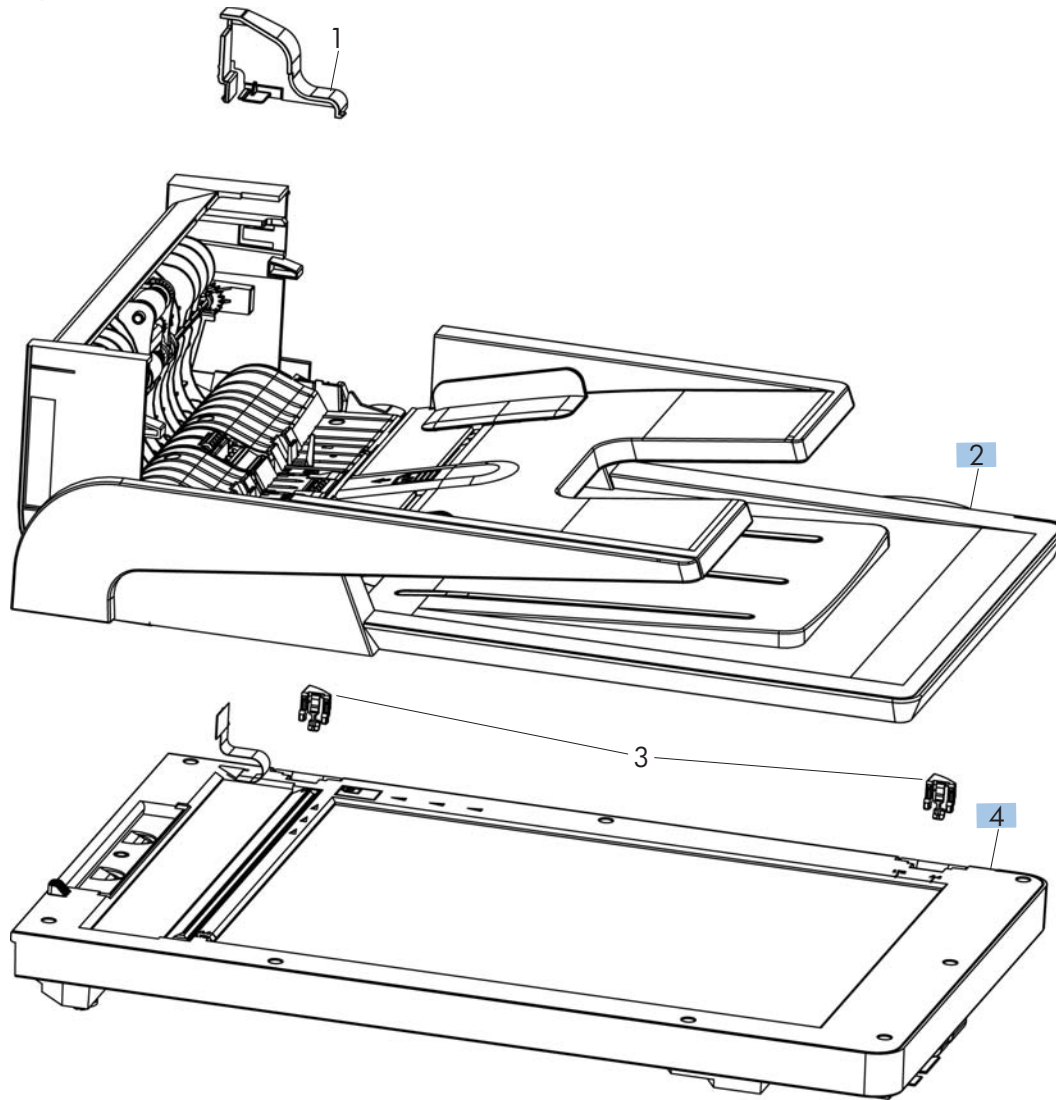


Table 2-13 Scanner and document feeder main assemblies

Ref	Description	Part number	Qty
1	Document feeder (ADF) motor cover	CE538-40044	1
2	Document feeder (ADF) assembly	CF144-60128	1
2	Document feeder (ADF) assembly	CF144-60138	1
4	Scanner assembly, base	CF144-60132	1
4	Scanner assembly	CF144-60130	1

Document feeder internal components

Figure 2-8 Document feeder assembly parts

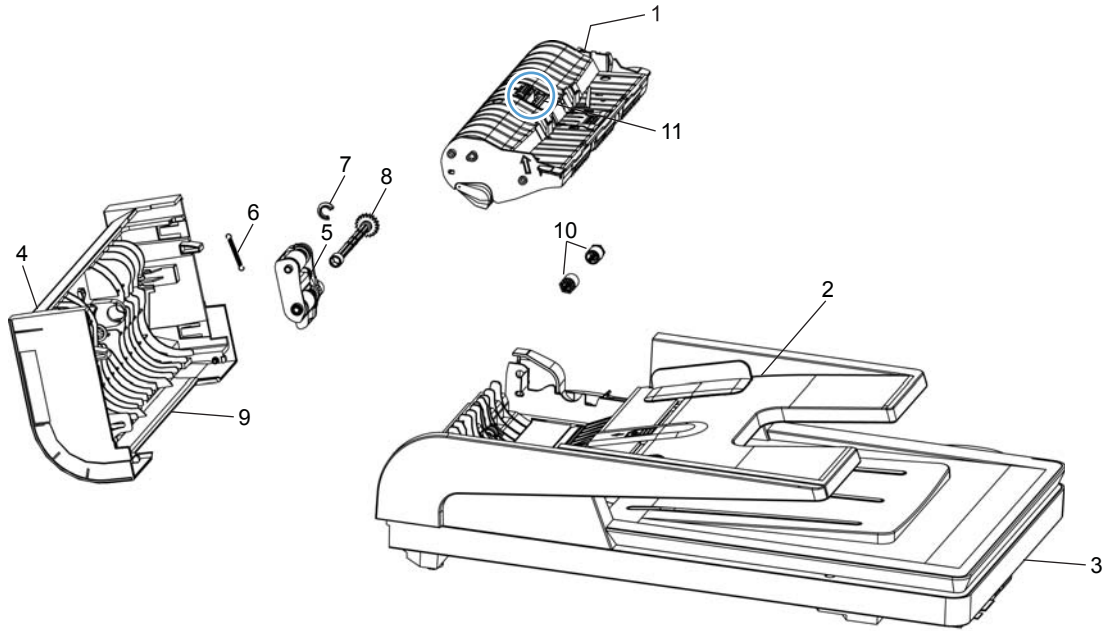


Table 2-14 Document feeder assembly parts

Ref	Description	Part number	Qty
1	Document feeder (ADF) core assembly	NA	1
2	Document feeder (ADF) input tray	NA	1
3	Document feeder (ADF) base	NA	1
4	Document feeder (ADF) cover, outer	NA	1
5	Document feeder (ADF) pick arm assembly	NA	1
6	Spring, document feeder (ADF) extension (pre-pick)	NA	1
8	Shaft, document feeder (ADF) pick extension	NA	1
9	Document feeder (ADF) cover, inner	NA	1
10	Roller assembly, document feeder (ADF) post-scan pinch	NA	2
11	Document feeder (ADF) separation pad assembly	NA	1