

---

## 2 Parts and diagrams



**NOTE:** In this chapter, part numbers are only listed for available replaceable parts.

---

- [Order parts by authorized service providers](#)
- [How to use the parts lists and diagrams](#)
- [Assembly locations](#)
- [Covers, panels, and doors](#)
- [Internal assemblies](#)
- [Alphabetical parts list](#)
- [Numerical parts list](#)

# Order parts by authorized service providers

## Order replacement parts

**Table 2-1 Order parts, accessories, and supplies**

|  |  |
|--|--|
| Order supplies and paper                   | <a href="http://www.hp.com/go/suresupply">www.hp.com/go/suresupply</a> |
| Order genuine HP parts or accessories      | <a href="http://www.hp.com/buy/parts">www.hp.com/buy/parts</a>         |
| Order through service or support providers | Contact an HP-authorized service or support provider                   |

## Related documentation and software

**Table 2-2 Related documentation and software**


| Item  | Description                          | Part number |
|---|--------------------------------------|-------------|
| <i>HP LaserJet Pro 200 color M251 Series Printer User Guide</i>     | Product user guide                   | CF146-90901 |
| <i>HP LaserJet Pro 200 color M251 Series Printer Service Manual</i> | English service manual (this manual) | CF146-90961 |

## Supplies part numbers

**Table 2-3 Supplies part numbers**

| Part             | Part number | Type/size   |
|------------------|-------------|---|
| Toner cartridges | CF210-67901 | Black toner cartridge with HP ColorSphere toner   |
|                  | CF211-67901 | Cyan toner cartridge with HP ColorSphere toner    |
|                  | CF212-67901 | Yellow toner cartridge with HP ColorSphere toner  |
|                  | CF213-67901 | Magenta toner cartridge with HP ColorSphere toner |


## Service parts

 **NOTE:** The parts in the following table are not shown in the assembly illustrations in this chapter.

**Table 2-4 Service parts**

| Item                                  | Description       | Part number |
|---------------------------------------|-------------------|-------------|
| HP jewel                              | HP logo           | 7121-8496   |
| HP nameplate (network model)          | Product nameplate | CF146-00002 |
| HP nameplate (network wireless model) | Product nameplate | CF147-00003 |

## Whole-unit replacement part numbers

 **NOTE:** Whole-unit replacement products include the formatter PCA.


**Table 2-5 Whole-unit replacement part numbers**


| Item                                     | Description     | Part number               |
|--|-----------------|---------------------------|
| HP LaserJet Pro 200 color M251n Printer  | 110v WUR NAR/TW | CF146-69055 (exchange)    |
|  | 220v WUR EMEA   | CF146-69056 (exchange)    |
|  | 220v WUR CN/MY  | CF146-69057 (exchange)    |
|  | 110v WUR BR     | CF146-67055 (replacement) |
|  | 220v WUR AP/LAR | CF146-67056 (replacement) |
|  | 220v WUR CL/AR  | CF146-67057 (replacement) |
| HP LaserJet Pro 200 color M251nw Printer | 110v WUR NAR/TW | CF147-69055 (exchange)    |
|  | 220v WUR EMEA   | CF147-69056 (exchange)    |
|  | 220v WUR CN/MY  | CF147-69057 (exchange)    |
|  | 110v WUR BR     | CF147-67055 (replacement) |
|  | 220v WUR AP/LAR | CF147-67056 (replacement) |
|  | 220v WUR CL/AR  | CF147-67057 (replacement) |
| HP LaserJet Pro 200 color M251n Printer  | Formatter       | CF152-60001 (replacement) |
| HP LaserJet Pro 200 color M251nw Printer | Formatter       | CF153-60001 (replacement) |

## How to use the parts lists and diagrams

The figures in this chapter show the major subassemblies in the product and their component parts. A parts list table follows each exploded view assembly diagram. Each table lists the item number, the associated part number, and the description of each part. If a part is not listed in the table, then it is not a field replacement unit (FRU).

---

 **CAUTION:** Be sure to order the correct part. When looking for part numbers for electrical components, pay careful attention to the voltage that is listed in the description column. Doing so will ensure that the part number selected is for the correct all-in-one model.

 **NOTE:** In this manual, the abbreviation “PCA” stands for “printed circuit board assembly.” Components described as a PCA might consist of a single circuit board or a circuit board plus other parts, such as cables and sensors.

---

# Assembly locations

## Base product (no optional trays or accessories)

Figure 2-1 LCD control-panel model (HP LaserJet Pro 200 color M251n Printer)

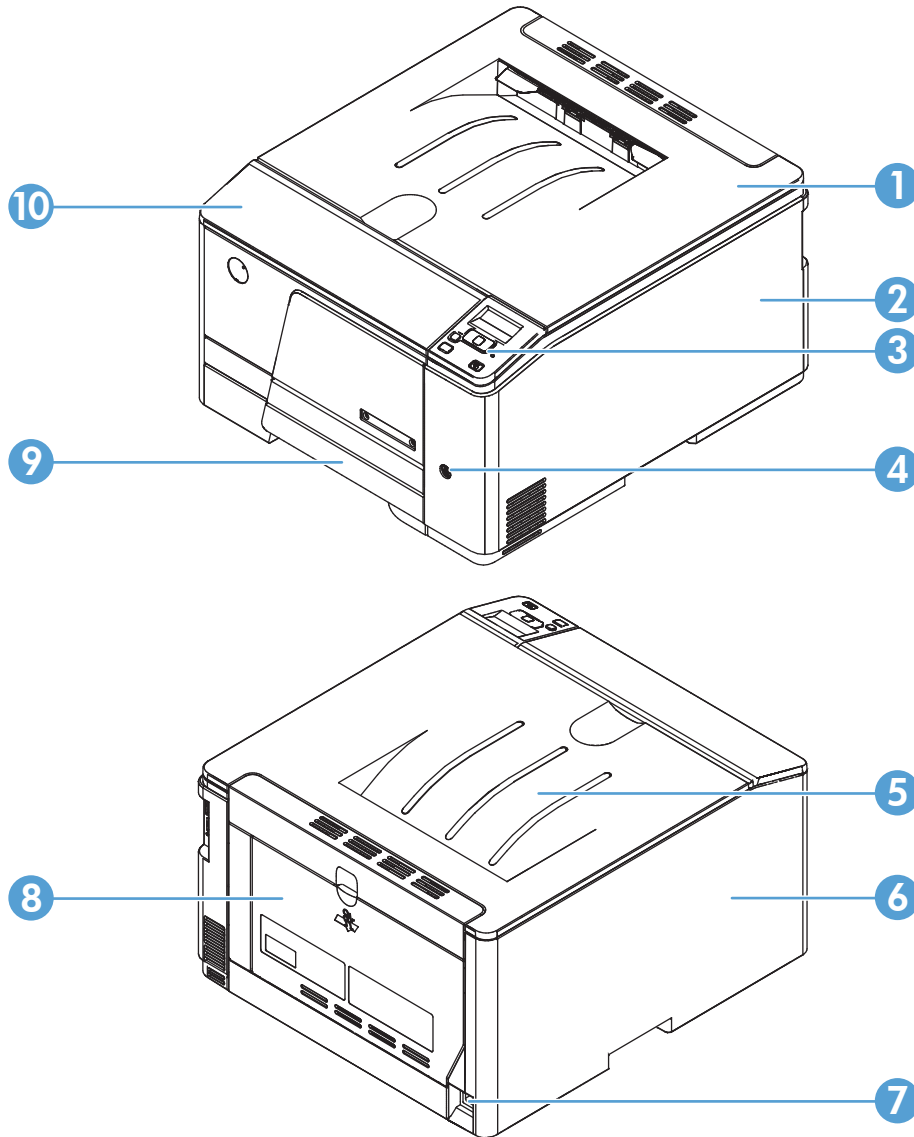
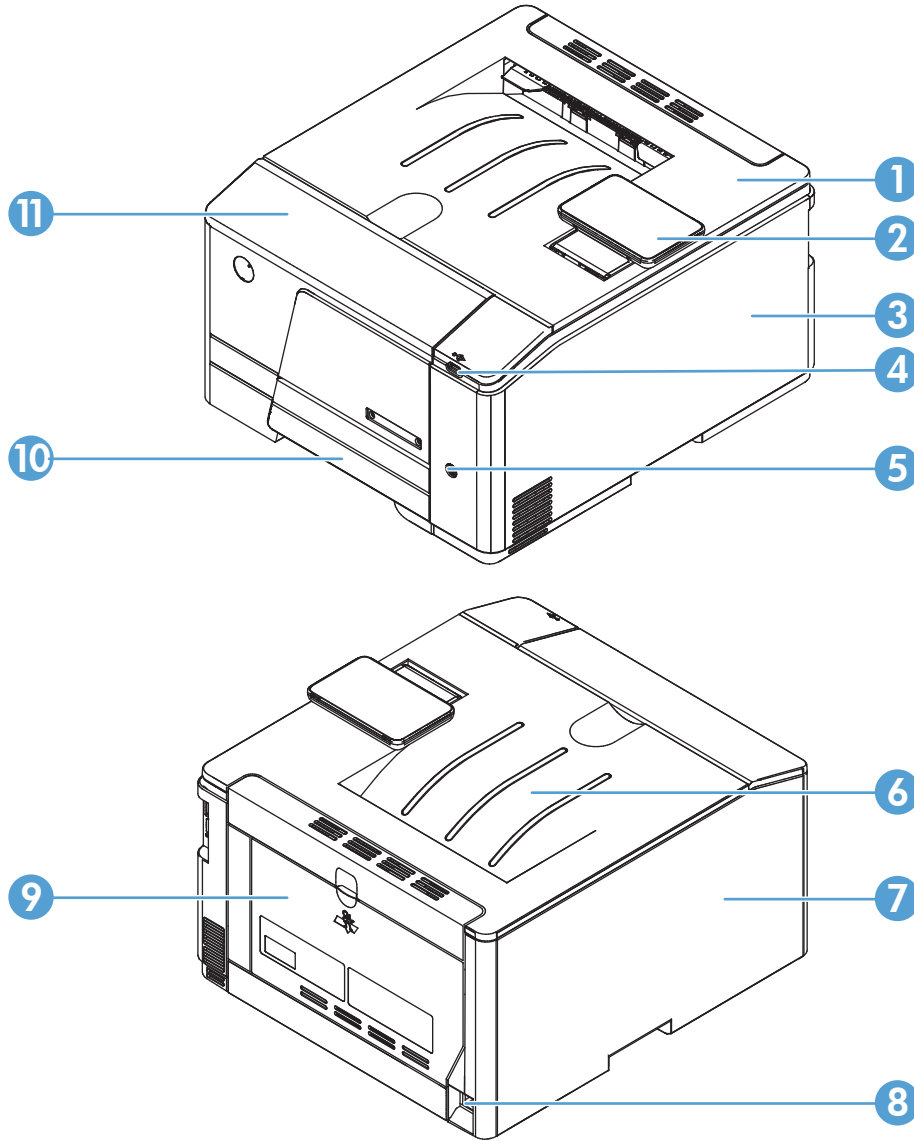


Table 2-6 LCD model

| Item | Description   | Item | Description      |
|------|---------------|------|------------------|
| 1    | Upper cover   | 6    | Left cover       |
| 2    | Right cover   | 7    | Power receptacle |
| 3    | Control panel | 8    | Rear door        |
| 4    | Power switch  | 9    | Cassette         |
| 5    | Output bin    | 10   | Front door       |

**Figure 2-2** Touchscreen control-panel model (HP LaserJet Pro 200 color M251nw Printer)



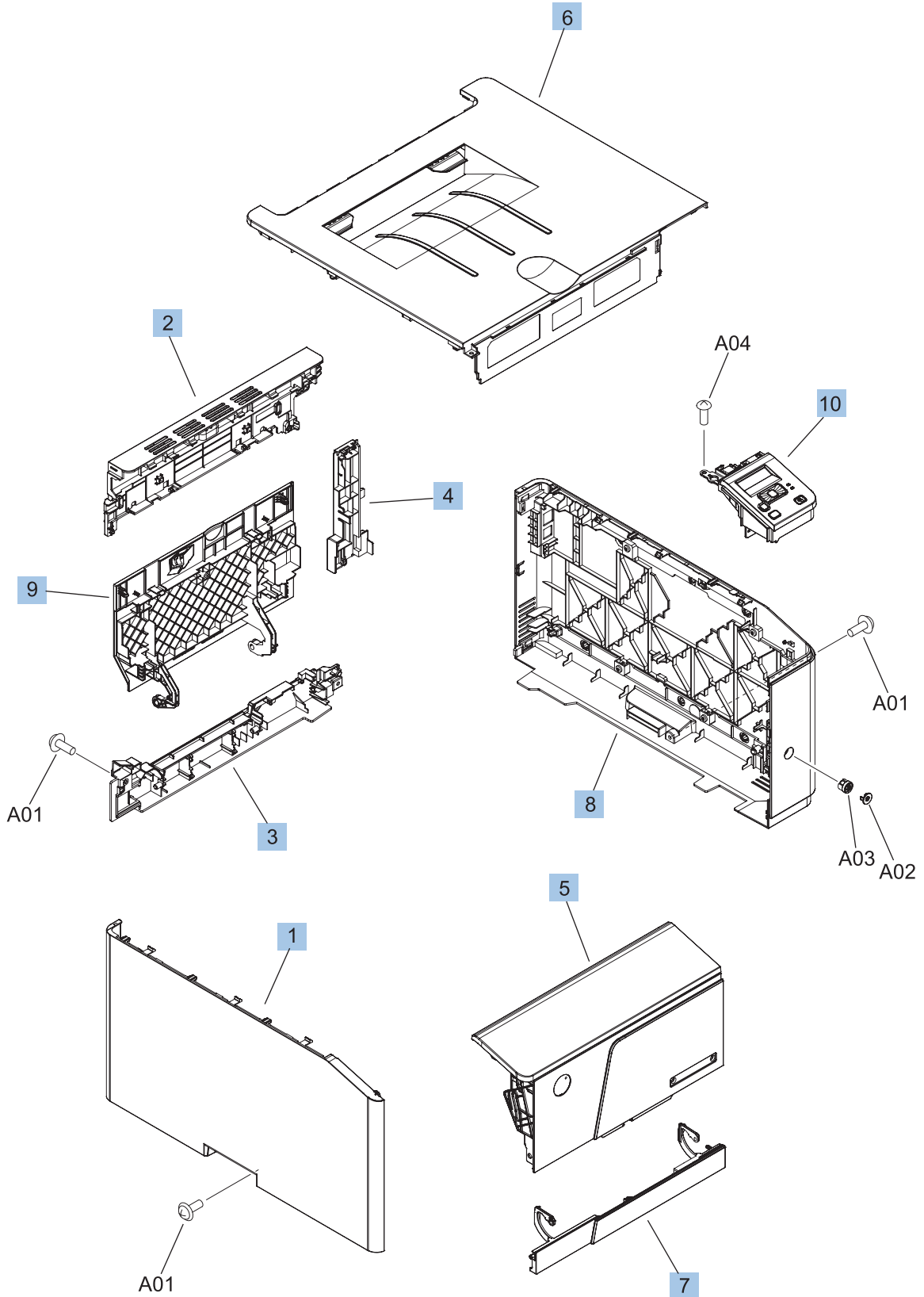
**Table 2-7** Touchscreen control-panel model

| Item | Description   | Item | Description      |
|------|---------------|------|------------------|
| 1    | Upper cover   | 7    | Left cover       |
| 2    | Control panel | 8    | Power receptacle |
| 3    | Right cover   | 9    | Rear door        |
| 4    | USB port      | 10   | Cassette         |
| 5    | Power switch  | 11   | Front door       |
| 6    | Output bin    |      |                  |



# Covers, panels, and doors

Figure 2-3 Covers, panels, and doors—network model

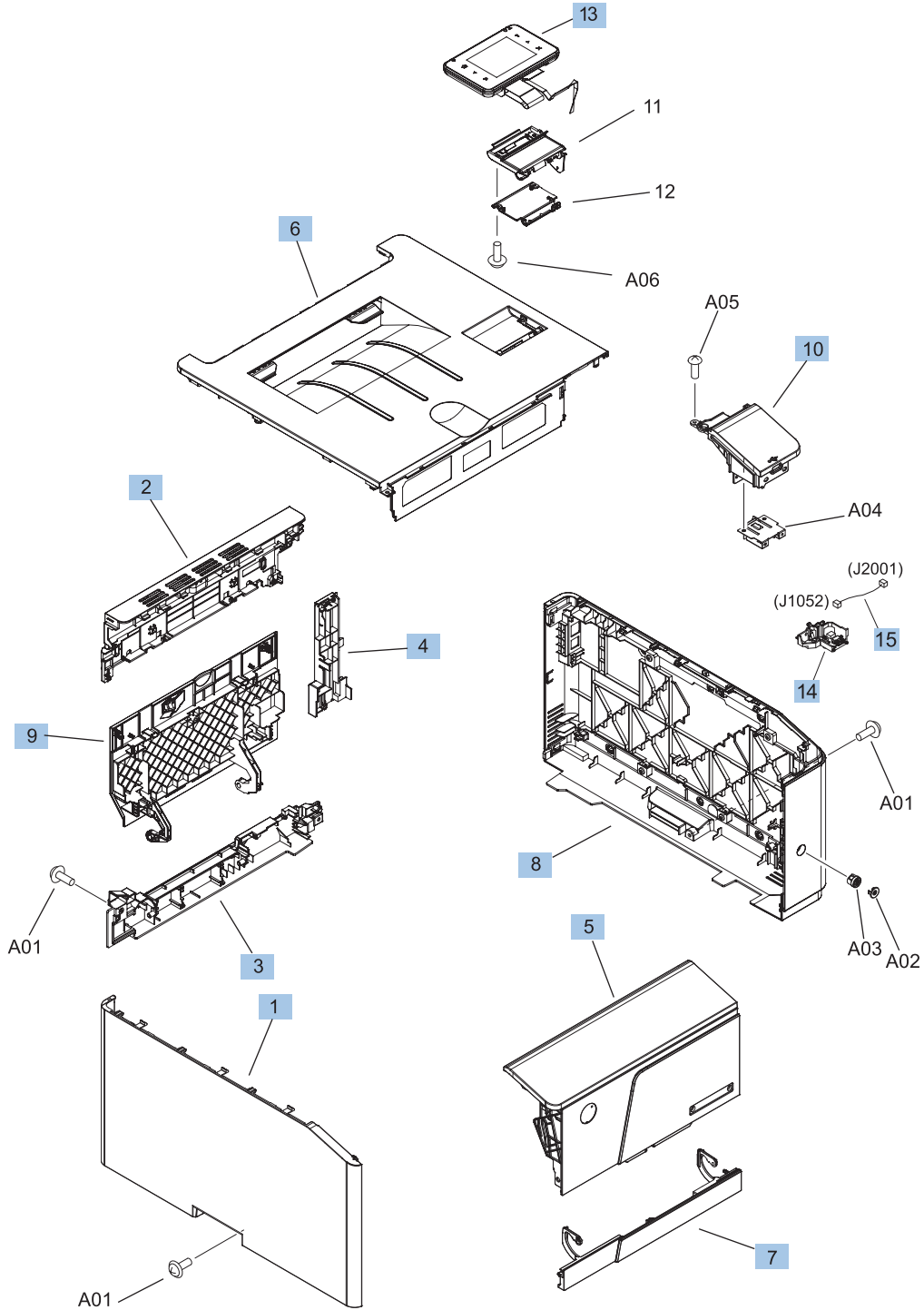




**Table 2-8 Covers, panels, and doors—network model**

| <b>Ref</b> | <b>Description</b>                     | <b>Part number</b> | <b>Qty</b> |
|------------|--|--------------------|------------|
| 1          | Cover, left                            | RC3-2652-000       | 1          |
| 2          | Cover, rear, upper                     | RC3-2656-000       | 1          |
| 3          | Cover, rear, lower                     | RC3-2658-000       | 1          |
| 4          | Cover, rear, right                     | RC3-2657-000       | 1          |
| 5          | Door, front                            | RM1-8768-000       | 1          |
| 6          | Upper cover assembly                   | RM1-8770-000       | 1          |
| 7          | Cover, front                           | RM1-8769-000       | 1          |
| 8          | Right cover assembly                   | RM1-8771-000       | 1          |
| 9          | Door, rear                             | RC3-2659-000       | 1          |
| 10         | Control-panel assembly (network model) | RM1-8788-000       | 1          |

**Figure 2-4** Covers, panels, and doors—network wireless model

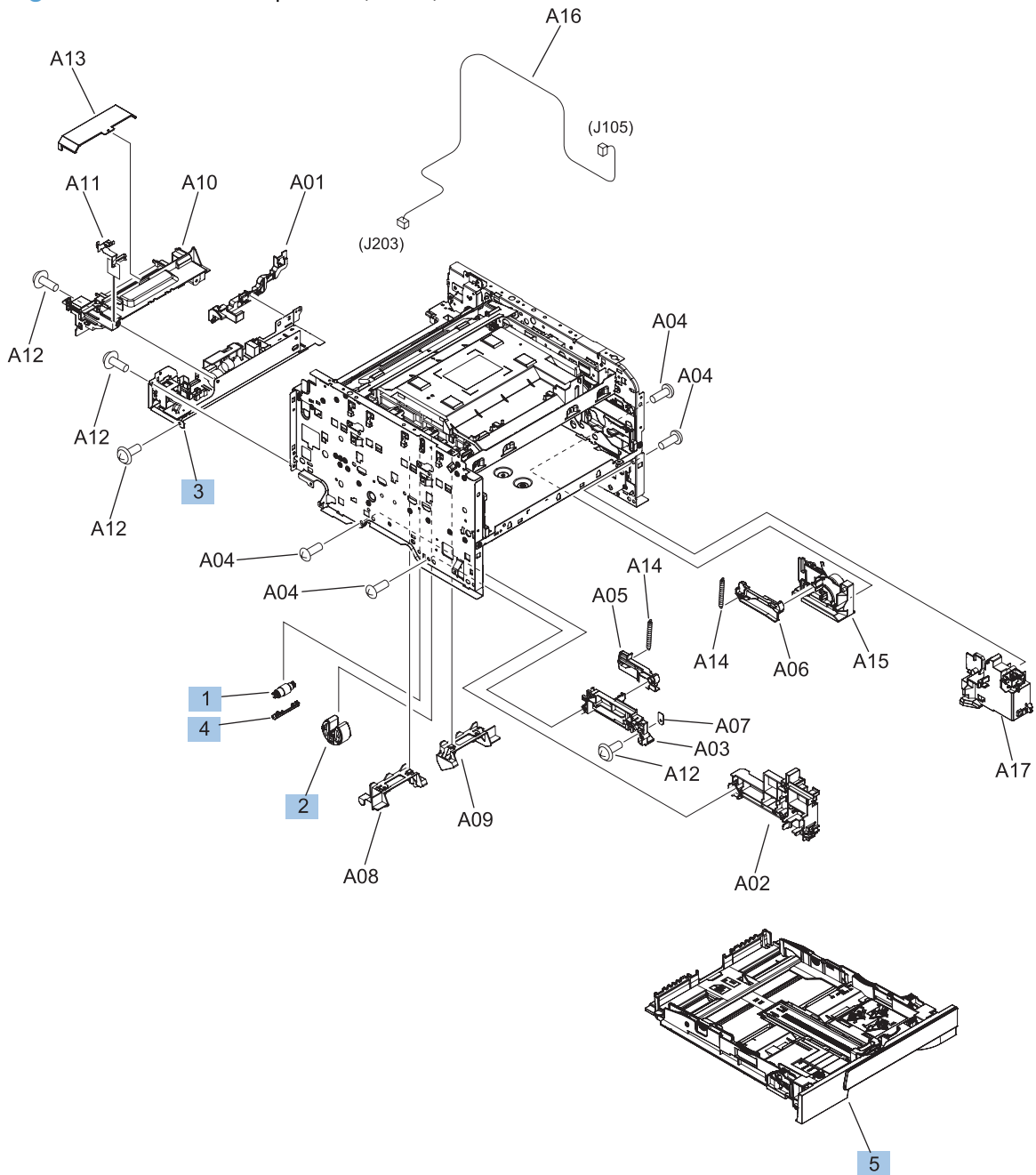


**Table 2-9 Covers, panels, and doors—network wireless model**

| <b>Ref</b> | <b>Description</b>                    | <b>Part number</b> | <b>Qty</b> |
|------------|---------------------------------------|--------------------|------------|
| 1          | Cover, left                           | RC3-2652-000       | 1          |
| 2          | Cover, rear upper                     | RC3-2656-000       | 1          |
| 3          | Cover, rear lower                     | RC3-2658-000       | 1          |
| 4          | Cover, rear right                     | RC3-2657-000       | 1          |
| 5          | Door, front                           | RM1-8768-000       | 1          |
| 6          | Cover, upper                          | RM1-9327-000       | 1          |
| 7          | Cover, front                          | RM1-8769-000       | 1          |
| 8          | Cover, right                          | RM1-8771-000       | 1          |
| 9          | Door, rear                            | RC3-2659-000       | 1          |
| 10         | Cover, USB                            | RC3-2893-000       | 1          |
| 13         | Control panel, wireless network model | CF147-60101        | 1          |
| 14         | Walk-up USB PCA                       | CF368A             | 1          |
| 15         | Walk-up USB cable                     | CF146-60103        | 1          |

# Internal assemblies

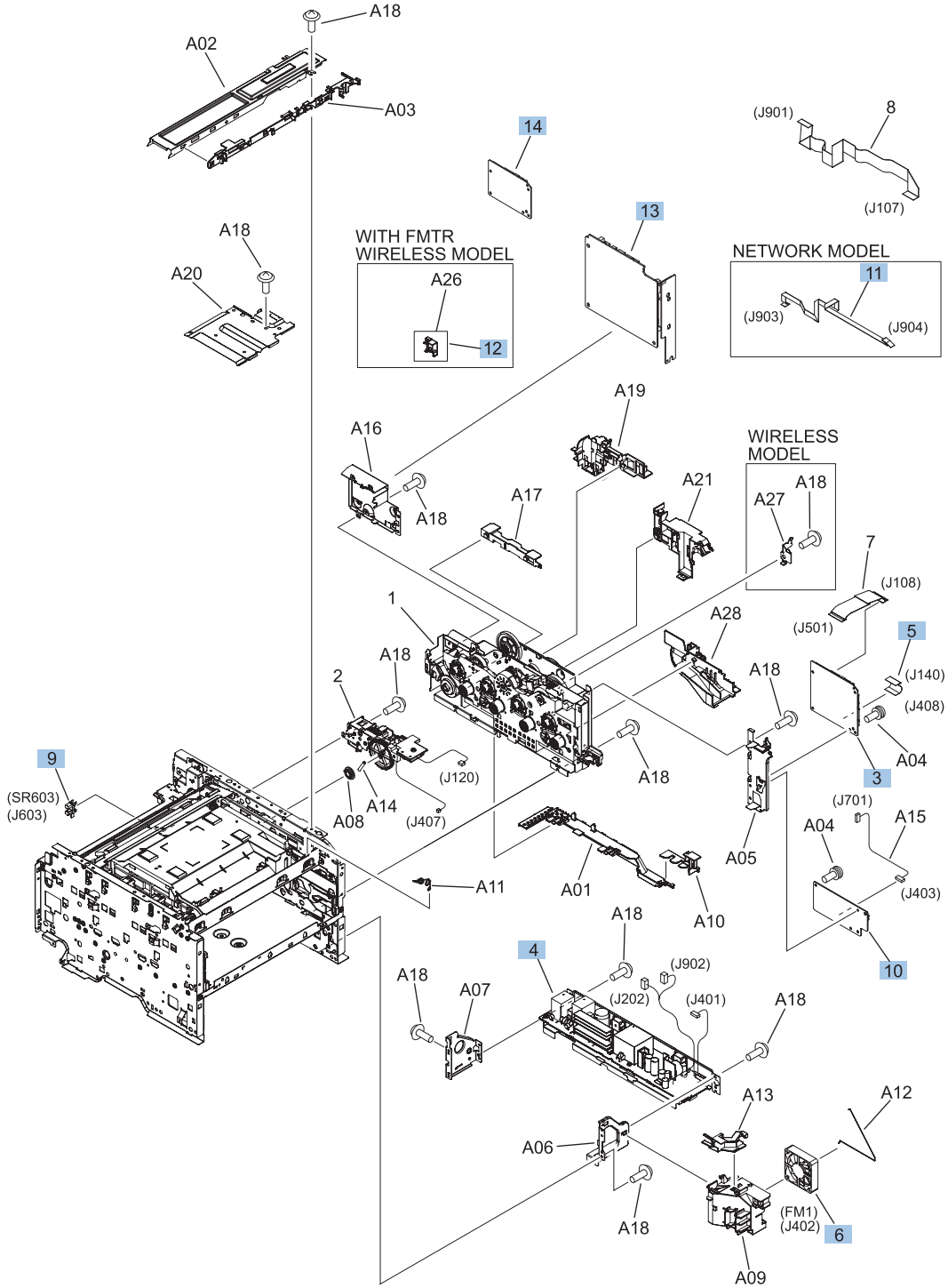
Figure 2-5 Internal components (1 of 4)



**Table 2-10 Internal components (1 of 4)**

| <b>Ref</b> | <b>Description</b>                      | <b>Part number</b> | <b>Qty</b> |
|------------|---|--------------------|------------|
| 1          | Roller, separation Assembly             | RM1-8765-000       | 1          |
| 2          | Roller, pickup assembly                 | RM1-8047-000       | 1          |
| 3          | Fuser power supply assembly (220V-240V) | RM1-8710-000       | 1          |
| 3          | Fuser power supply assembly (110V-127V) | RM1-8709-000       | 1          |
| 4          | Cover, holder                           | RC2-2014-000       | 1          |
| 5          | Cassette assembly                       | RM1-8772-000       | 1          |

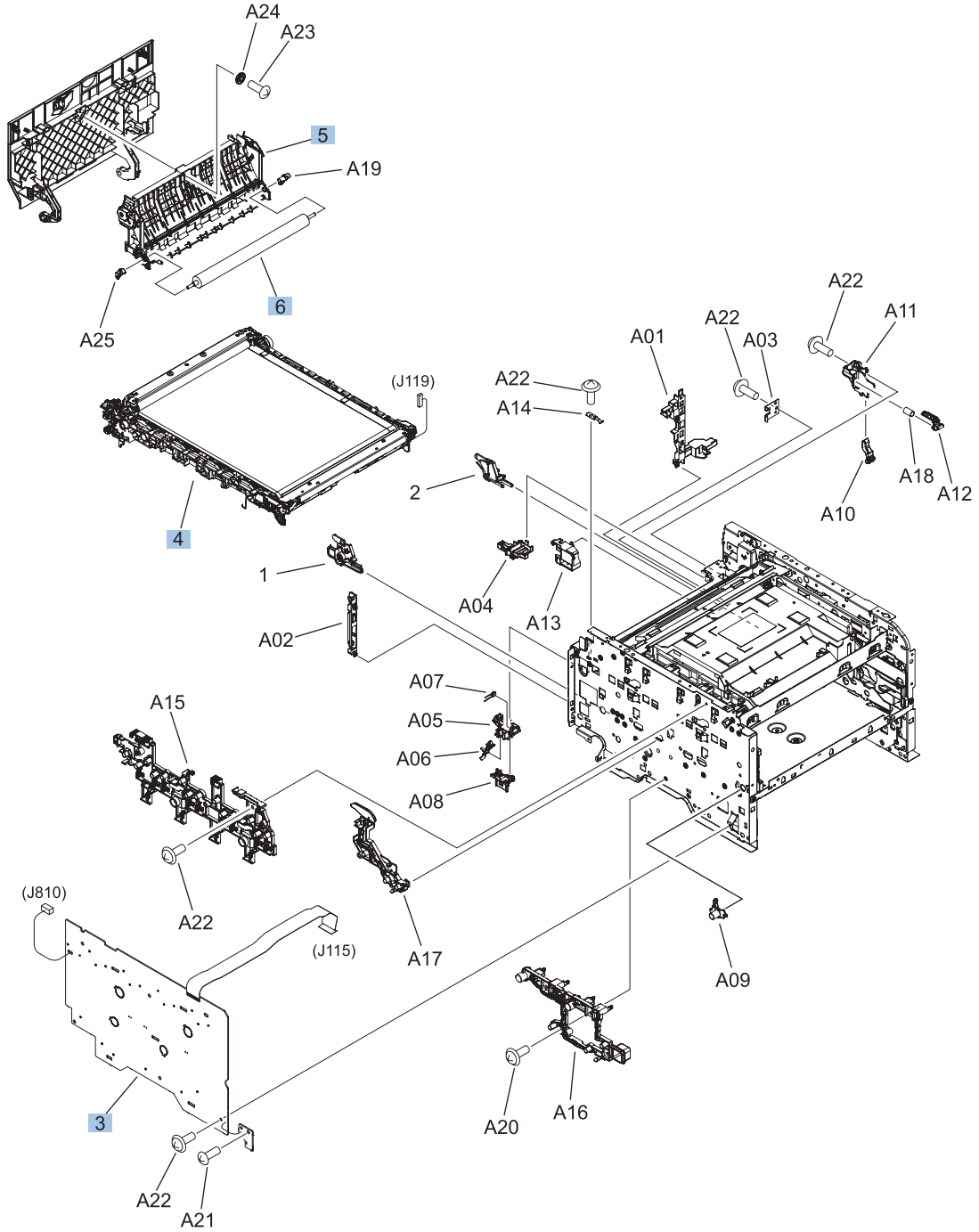
**Figure 2-6** Internal components (2 of 4)



**Table 2-11 Internal components (2 of 4)**

| <b>Ref</b> | <b>Description</b>  | <b>Part number</b> | <b>Qty</b> |
|------------|---|--------------------|------------|
| 1          | Main drive assembly   | RM1-9328-000       | 1          |
| 2          | Sub drive assembly  | RM1-8785-000       | 1          |
| 3          | DC controller PCA   | RM1-8704-000       | 1          |
| 4          | Low voltage power supply assembly, network model (110V-127V)          | RM1-9011-000       | 1          |
| 4          | Low voltage power supply assembly, network model (220V-240V)          | RM1-9013-000       | 1          |
| 4          | Low voltage power supply assembly, network wireless model (110V-127V) | RM1-9012-000       | 1          |
| 4          | Low voltage power supply assembly, network wireless model (220V-240V) | RM1-9014-000       | 1          |
| 5          | Cable, flexible flat (base, network model)                            | RK2-4540-000       | 1          |
| 6          | Fan   | RK2-4255-000       | 1          |
| 10         | PCA, driver assembly  | RM1-8706-000       | 1          |
| 11         | Cable, flexible flat (network model)                                  | RK2-4546-000       | 1          |
| 12         | Bracket, wireless   | RC3-2746-000       |            |
| 13         | Formatter PCA (network model)   | CF152-60001        | 1          |
| 13         | Formatter, (network wireless model)                                   | CF153-60001        | 1          |
| 14         | Wireless PCA  | 1150-7940          | 1          |

Figure 2-7 Internal components (3 of 4)

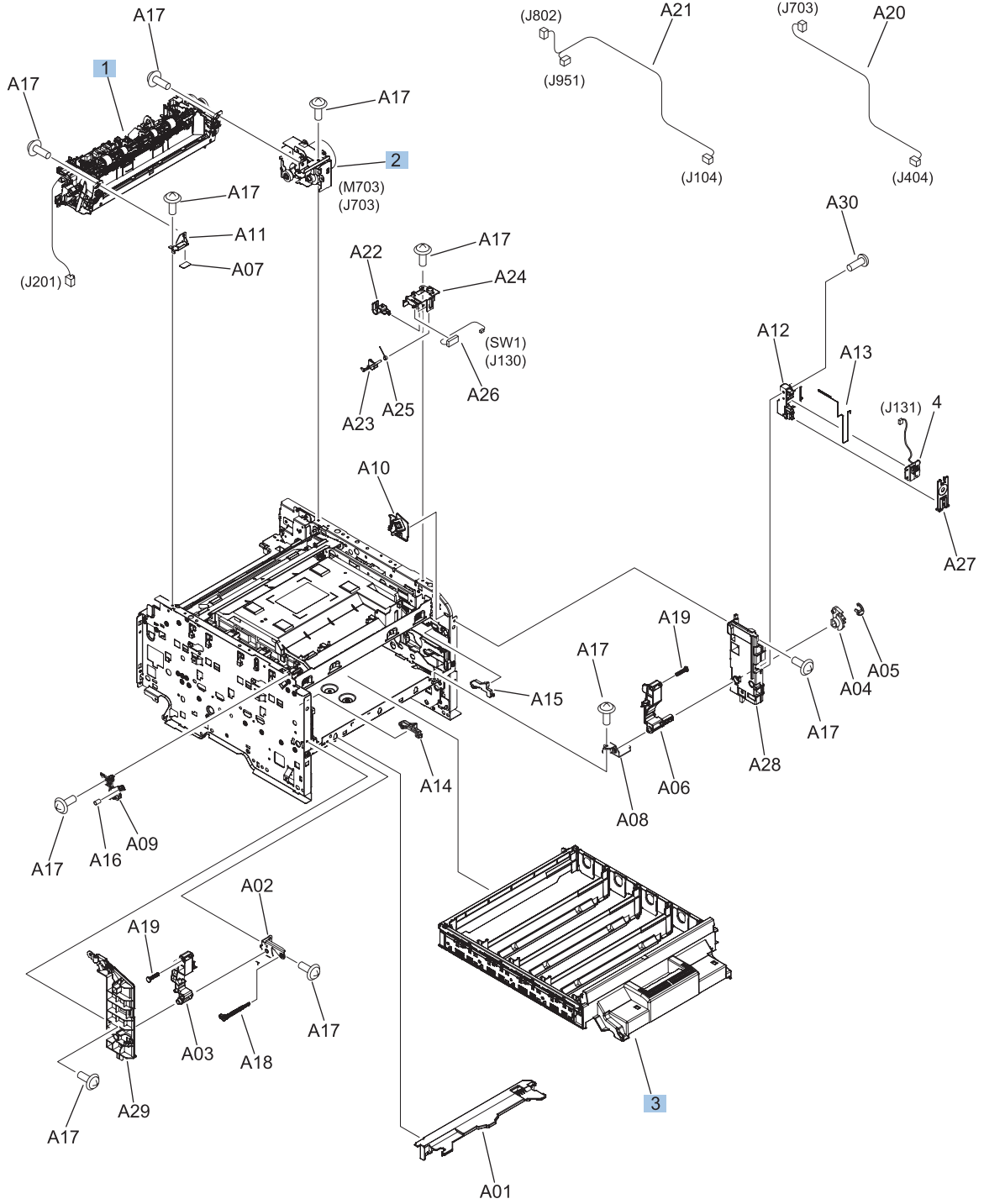




**Table 2-12 Internal components (3 of 4)**

| <b>Ref</b> | <b>Description</b>                        | <b>Part number</b> | <b>Qty</b> |
|------------|---|--------------------|------------|
| 1          | ITB lock lever assembly, left             | RM1-4482-000       | 1          |
| 2          | ITB lock lever assembly, right            | RM1-4483-000       | 1          |
| 3          | High voltage PCA                          | RM1-8705-000       | 1          |
| 4          | Intermediate transfer belt assembly (ITB) | RM1-8777-000       | 1          |
| 5          | Paper feed guide assembly                 | RM1-8779-000       | 1          |
| 6          | Roller, transfer                          | RM1-4445-000       | 1          |

**Figure 2-8** Internal components (4 of 4)



**Table 2-13 Internal components (4 of 4)**

| <b>Ref</b> | <b>Description</b>         | <b>Part number</b> | <b>Qty</b> |
|------------|----------------------------|--------------------|------------|
| 1          | Fuser assembly (110V-127V) | RM1-8780-000       | 1          |
| 1          | Fuser assembly (220V-240V) | RM1-8781-000       | 1          |
| 2          | Fuser drive motor          | RM1-8784-000       | 1          |
| 3          | Cassette assembly          | RM1-8774-000       | 1          |