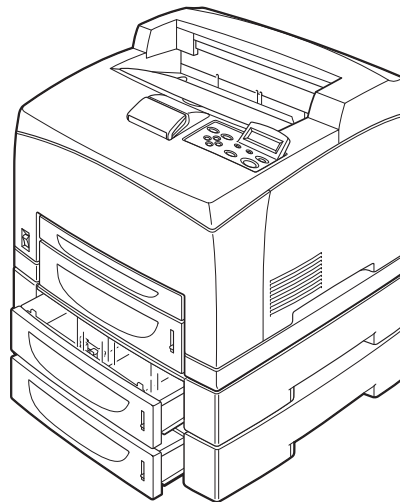




Brother Laser Printer **PARTS REFERENCE LIST**

MODEL: HL-8050N



Read this list thoroughly before maintenance work.

Keep this list in a convenient place for quick and easy reference at all times.

NOTE FOR USING THIS PARTS REFERENCE LIST

1. In the case of ordering parts, it needs mentioning the following items:

- (1) Code
- (2) Q'ty
- (3) Description
- (4) Symbol (PCB No., Revision , and Parts location mounted on the PCB.)

Note : No orders without Parts Code or Tool No. can be accepted.

< Example >

REF.NO.	CODE	Q'TY	DESCRIPTION	SYMBOL	REMARK

Revision No.: marked on the **main printed circuit board**.

B48K056 - 201A



Revision No.: marked on the **power supply PCB**.

Rev. **0B**



2. Design-changed parts :

If the parts are changed, any one of the following symbols is indicated in the REMARKS column.

CHG(chg) : The part is changed to a new part.

ADD(add) : The part is newly added.

DEL(del) : The part is deleted.

Symbol in capital letters indicates that the change is the latest one in the page.

3. The original of this list was made based on the information available in September, 2003.

4. Parts are subject to change in design without prior notice.

CONTENTS

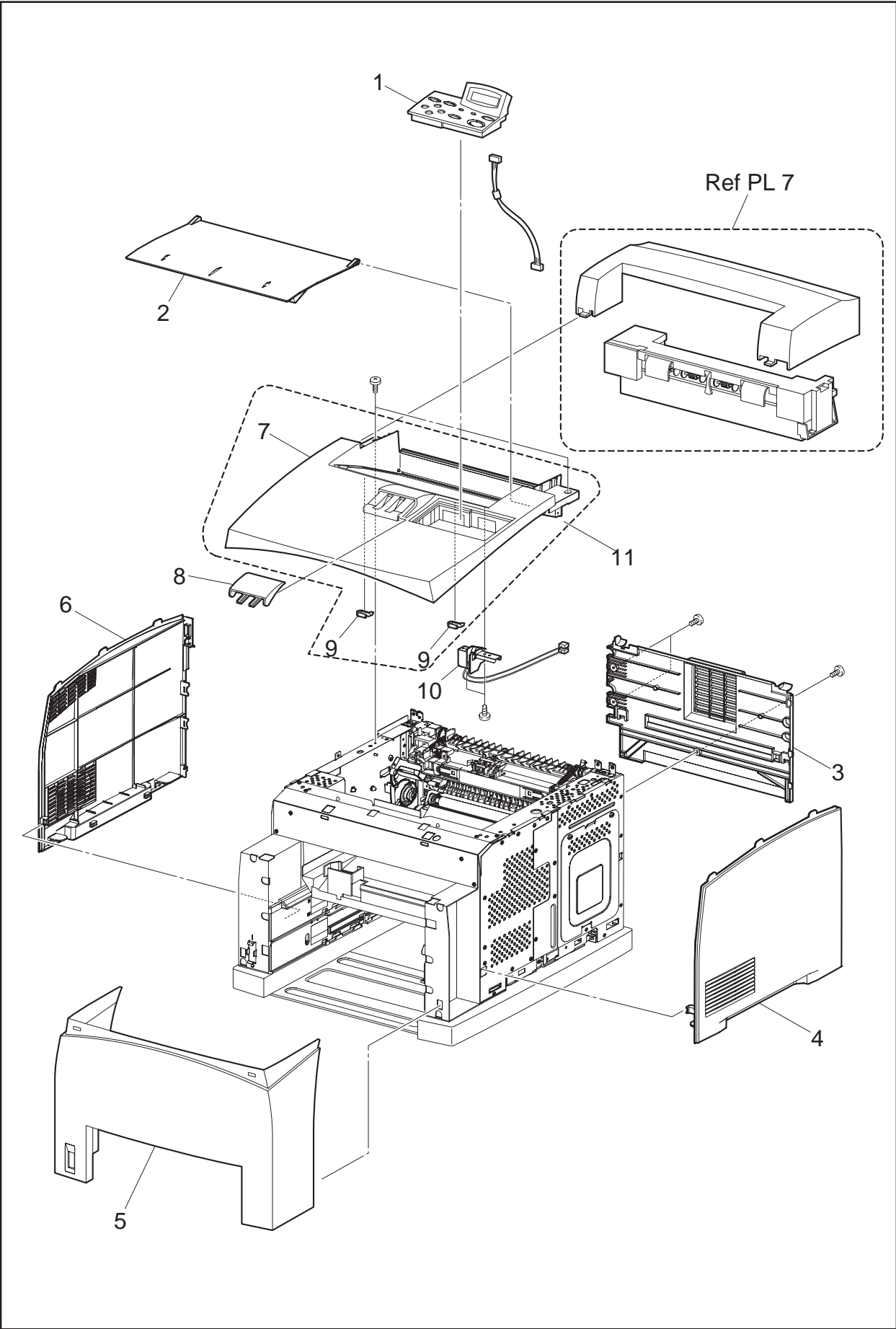
1. COVER	1
2. 150 PAPER CASSETTE	3
3. 550 PAPER CASSETTE	5
4. 150 PAPER FEEDER	7
5. 550 PAPER FEEDER	9
6. XERO	11
7. 500 PAPER EXIT (1/2).....	13
8. 500 PAPER EXIT (2/2) & FACE UP TRAY	15
9. FRAME & DRIVE	17
10. ELECTRICAL.....	19
11. AC CORD	21
12. ACCESSORIES & PACKING.....	23

1. COVER

REF.NO	CODE	Q'TY	DESCRIPTION	REMARK
1	LM0720001	1	OPERATION PANEL	
2	LM0721001	1	COVER OPEN	
3	LM0722001	1	COVER REAR	
4	LM0723001	1	COVER RIGHT	
5	LM0724001	1	COVER FRONT	
6	LM0725001	1	COVER LEFT	
7	LM0726001	1	COVER TOP	
8	LM0727001	1	COVER STOPPER	
9	LM0728001	2	STOPPER OPEN	
10	LM0729001	1	SWITCH I/L ASSY	
11	LM0906001	1	KIT TOP COVER	ADD

MODEL HL-8050N 54Y201

1. COVER



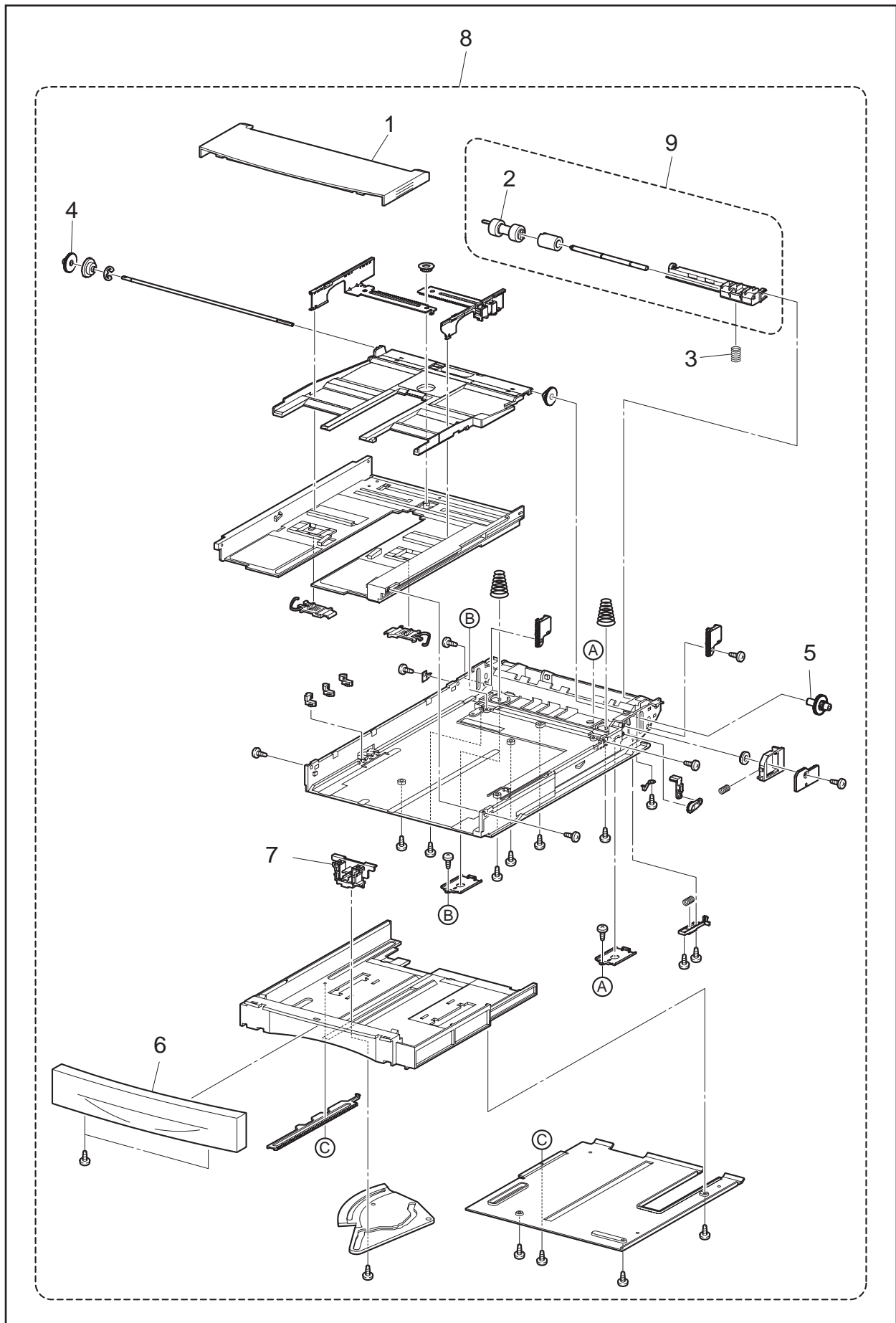
MODEL HL-8050N 54Y201

2. 150 PAPER CASSETTE

REF.NO	CODE	Q'TY	DESCRIPTION	REMARK
1	LM0730001	1	COVER CST	
2	LM0731001	1	ROLL ASSY RETARD (3 pcs) *1	
3	LM0732001	1	SPRING RETARD	
4	LM0733001	1	GEAR PB L	
5	LM0734001	1	GEAR PB R	
6	LM0735001	1	HANDLE EXTENSION 150	
7	LM0736001	1	GUIDE END 150	
8	LM0737001	1	150 PAPER CASSETTE	
9	LM0738001	1	HOLDER ASSY RETARD	
			<p>*1 When you replace ROLL ASSY RETARD, please also replace ROLL ASSY NUDGER (List 4) and ROLL ASSY FEED (List 4).</p>	

MODEL HL-8050N 54Y201

2. 150 PAPER CASSETTE



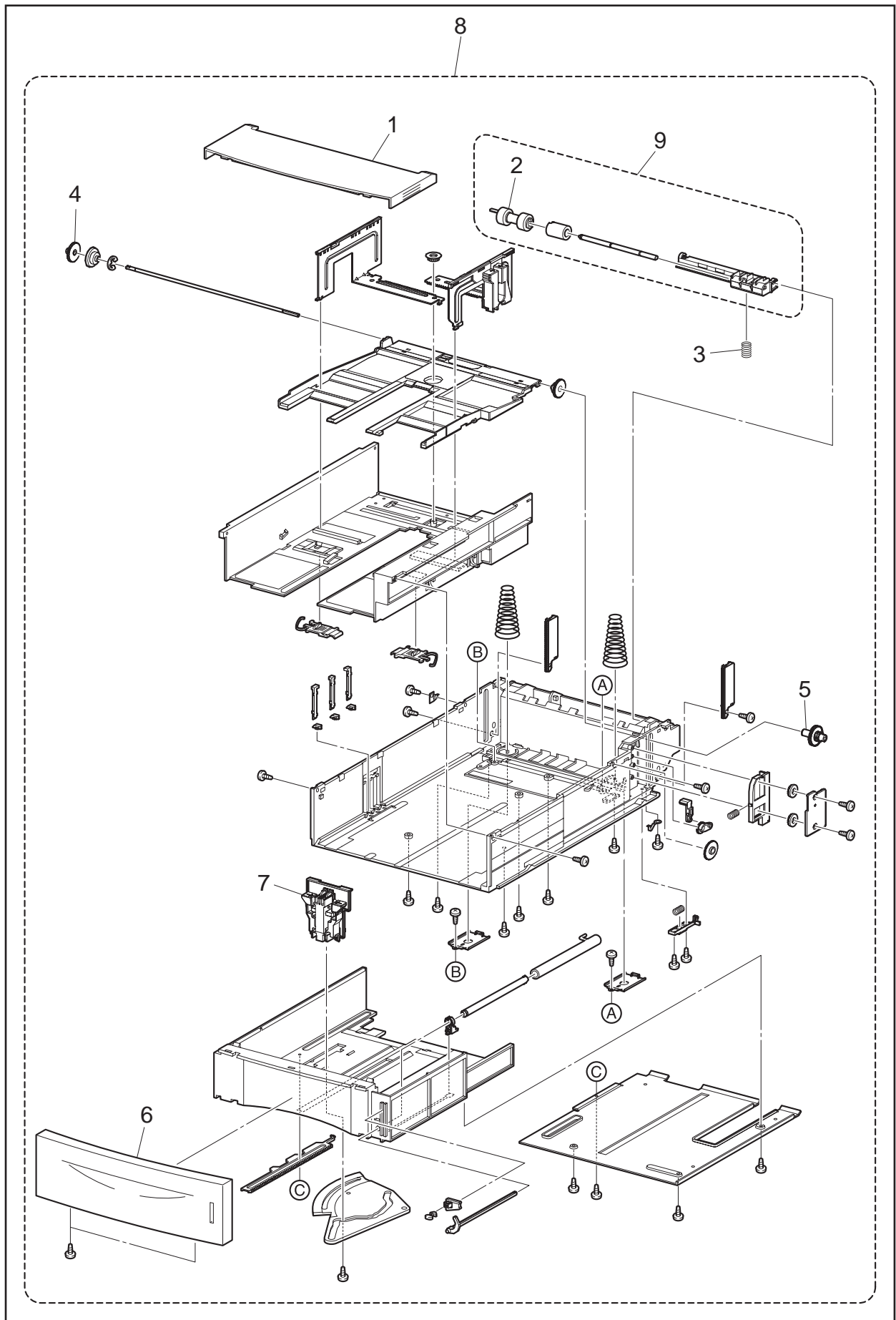
MODEL HL-8050N 54Y201

3. 550 PAPER CASSETTE

REF.NO	CODE	Q'TY	DESCRIPTION	REMARK
1	LM0730001	1	COVER CST	
2	LM0731001	1	ROLL ASSY RETARD (3 pcs) *1	
3	LM0732001	1	SPRING RETARD	
4	LM0733001	1	GEAR PB L	
5	LM0734001	1	GEAR PB R	
6	LM0739001	1	HANDLE EXTENSION 550	
7	LM0740001	1	GUIDE END 550	
8	LM0741001	1	550 PAPER CASSETTE	
9	LM0738001	1	HOLDER ASSY RETARD	
			<p>*1 When you replace ROLL ASSY RETARD, please also replace ROLL ASSY NUDGER (List 5) and ROLL ASSY FEED (List 5).</p>	

MODEL HL-8050N 54Y201

3. 550 PAPER CASSETTE



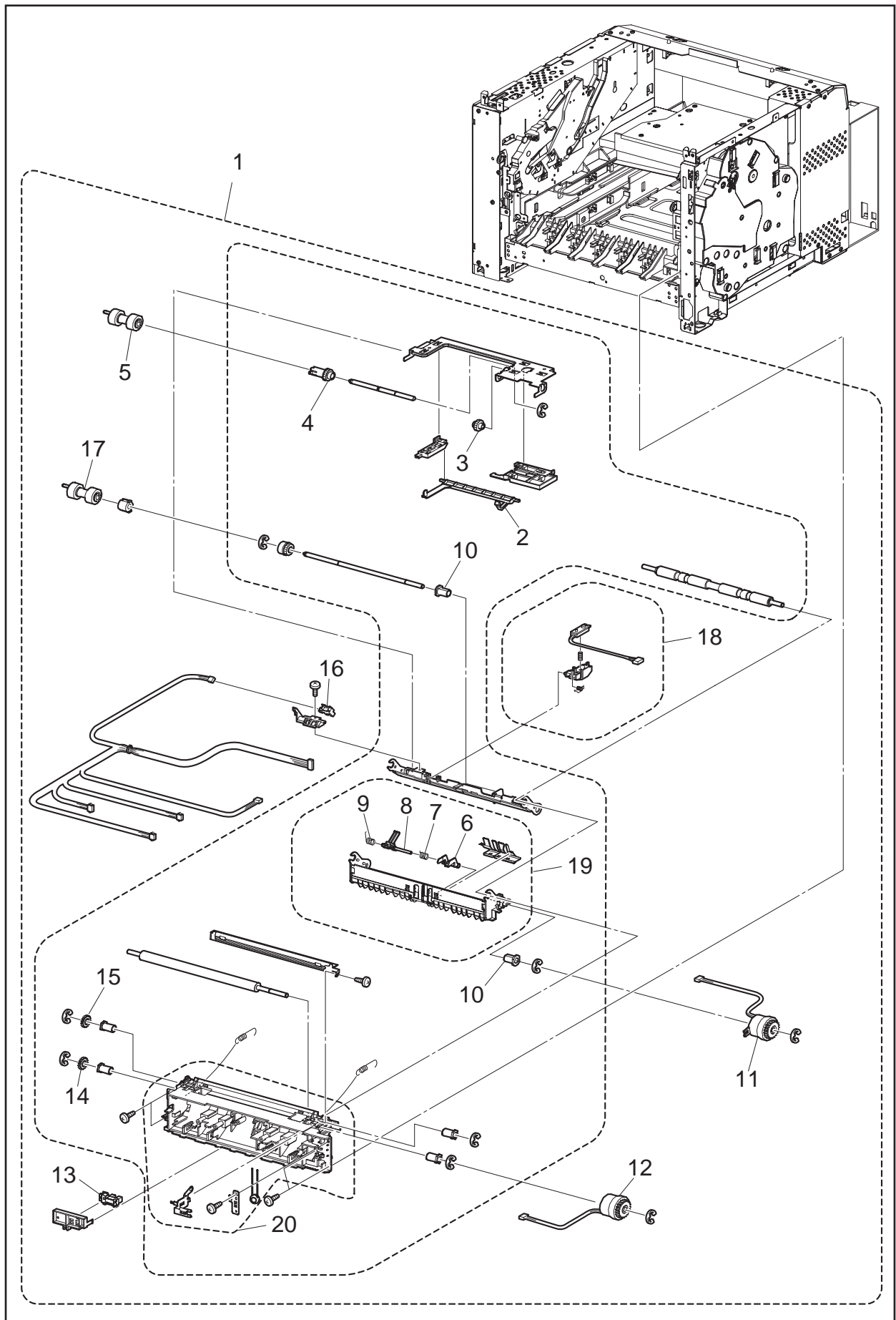
MODEL HL-8050N 54Y201

4. 150 PAPER FEEDER

REF.NO	CODE	Q'TY	DESCRIPTION	REMARK
4	LM0742004	4	150 FEEDER ASSY	DEL
1	LM0916001	1	KIT FDR1 ASSY TNR	ADD
2	LM0743001	1	ACTUATOR NO PAPER	
3	LM0744001	1	GEAR IDLER NUDGER	
4	LM0745001	1	GEAR NUDGER	
5	LM0731001	1	ROLL ASSY NUDGER (3 pcs) *1	
6	LM0746001	1	ACTUATOR A	
7	LM0747001	1	SPRING REGI SNR B	
8	LM0748001	1	ACTUATOR B	
9	LM0749001	1	SPRING REGI SNR A	
10	LM0750001	1	BEARING NUDGER	
11	LM0751001	1	CLUTCH ASSY PH	
12	LM0751001	1	CLUTCH REGI	
13	LM0027001	1	SENSOR REGI	
14	LM0752001	1	GEAR REGI METAL (WHITE)	
15	LM0753001	1	GEAR REGI RUBBER (BLACK)	
16	LM0027001	1	SENSOR NO PAPER	
17	LM0731001	1	ROLL ASSY FEED (3 pcs) *2	
18	LM0754001	1	SENSOR TONER ASSEMBLY	
19	LM0908001	1	KIT CHUTE BTM	ADD
20	LM0907001	1	KIT CHUTE REGI	ADD
			<p>*1 When you replace ROLL ASSY NUDGER, please also replace ROLL ASSY RETARD (List 2) and ROLL ASSY FEED (List 4).</p> <p>*2 When you replace ROLL ASSY FEED, please also replace ROLL ASSY RETARD (List 2) and ROLL ASSY NUDGER (List 4).</p>	

MODEL HL-8050N 54Y201

4. 150 PAPER FEEDER



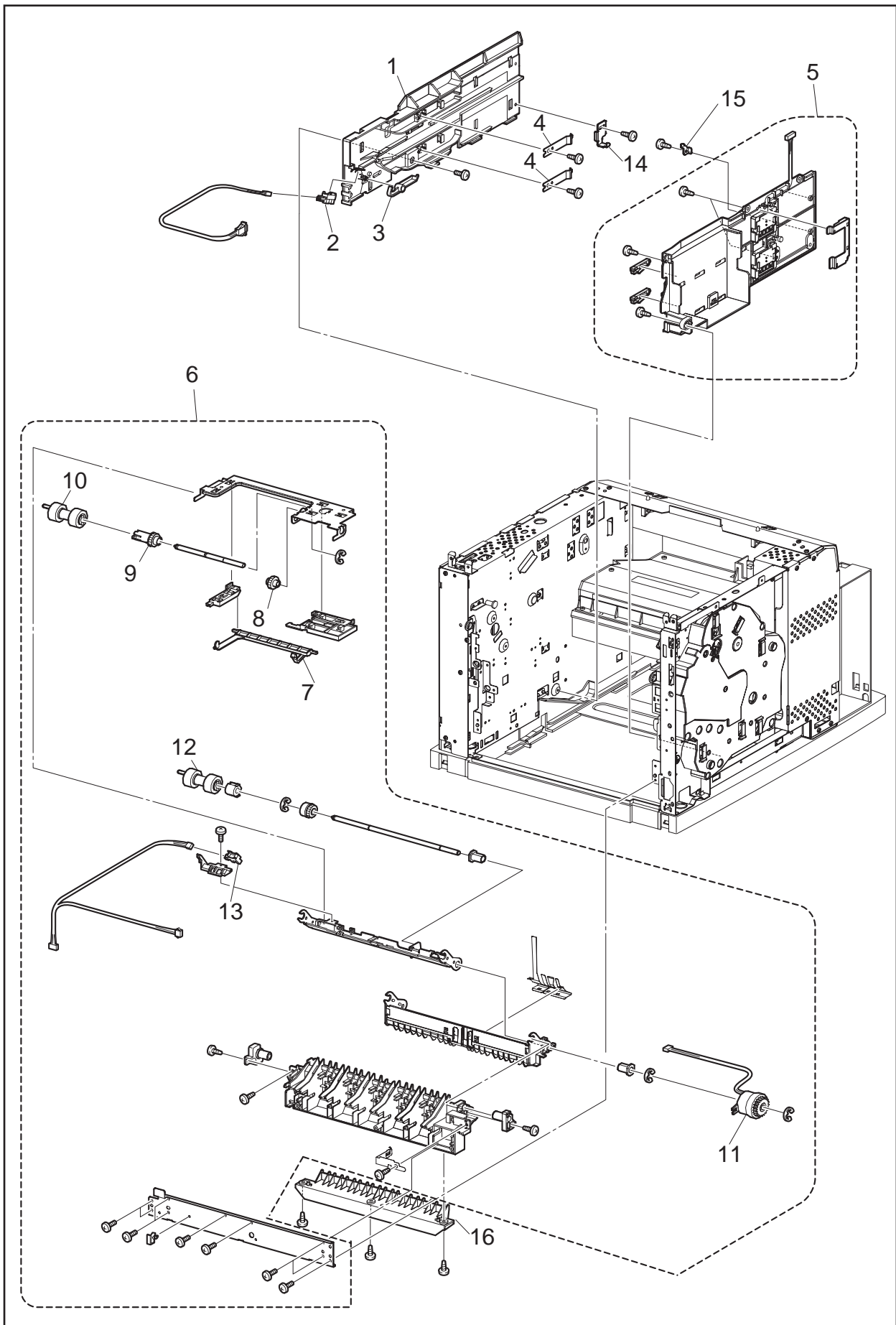
MODEL HL-8050N 54Y201

5. 550 PAPER FEEDER

REF.NO	CODE	Q'TY	DESCRIPTION	REMARK
1	LM0755001	1	GUIDE TRAY RIGHT	
2	LM0027001	1	SENSOR LOW PAPER	
3	LM0756001	1	ACTUATOR	
4	LM0757001	2	PLATE CST LOCK	
5	LM0758001	1	GUIDE TRAY LEFT	
6	LM0759001	1	550 FEEDER ASSY	
7	LM0743001	1	ACTUATOR NO PAPER	
8	LM0744001	1	GEAR IDLER NUDGER	
9	LM0745001	1	GEAR NUDGER	
10	LM0731001	1	ROLL ASSY NUDGER (3 pcs) *1	
11	LM0751001	1	CLUTCH ASSY PH	
12	LM0731001	1	ROLL ASSY FEED (3 pcs) *2	
13	LM0027001	1	SENSOR NO PAPER	
14	LM0760001	1	STOPPER TRAY R	
15	LM0761001	1	STOPPER TRAY L	
16	LM0909001	1	CHUTE 550 LOWER	ADD
			<p>*1 When you replace ROLL ASSY NUDGER, please also replace ROLL ASSY RETARD (List 3) and ROLL ASSY FEED (List 5).</p> <p>*2 When you replace ROLL ASSY FEED, please also replace ROLL ASSY RETARD (List 3) and ROLL ASSY NUDGER (List 5).</p>	

MODEL HL-8050N 54Y201

5. 550 PAPER FEEDER



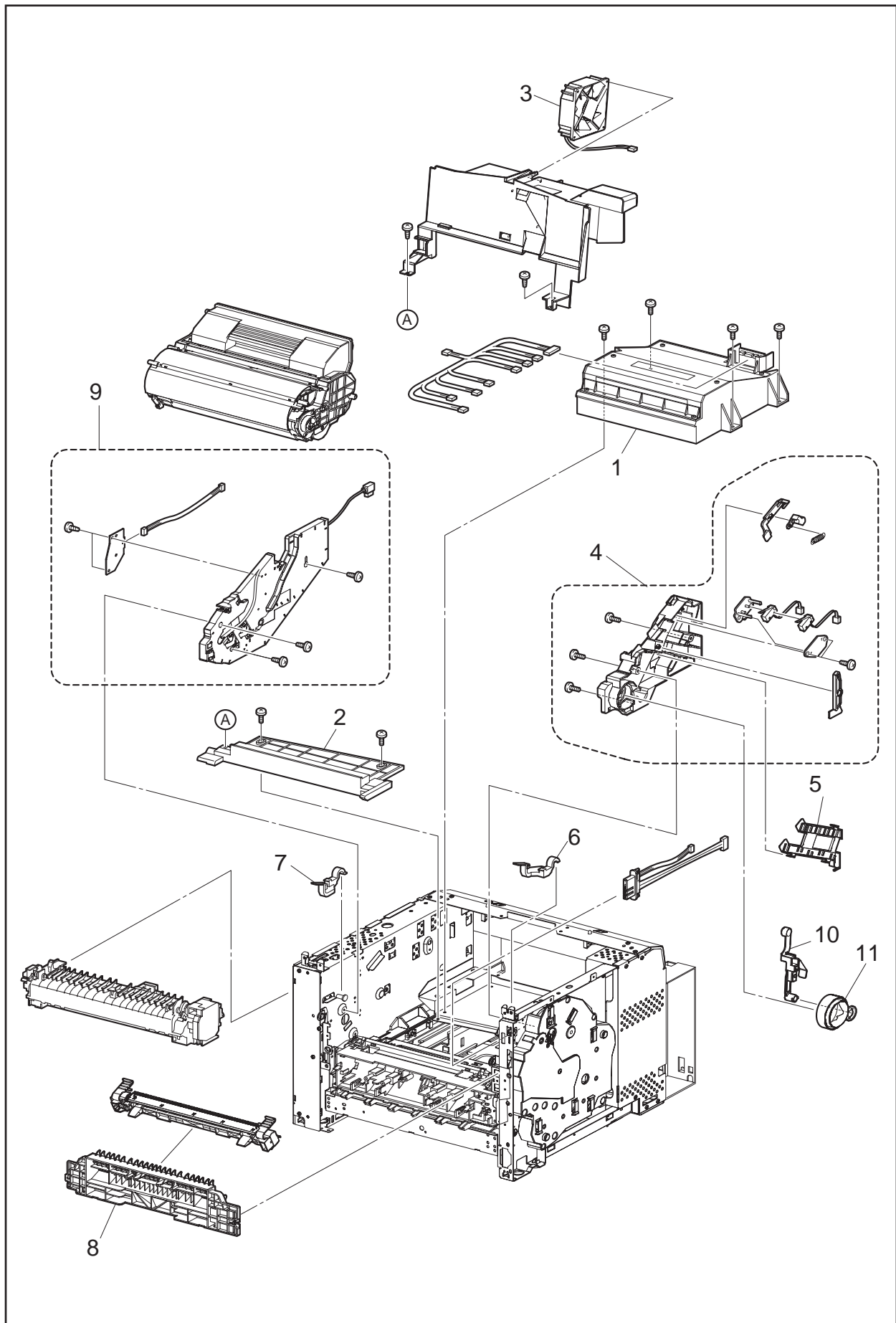
MODEL HL-8050N 54Y201

6. ENGINE

REF.NO	CODE	Q'TY	DESCRIPTION	REMARK
1	LM0762001	1	ROS ASSY	
2	LM0763001	1	SHIELD PLATE ROS	
3	LM0764001	1	FAN SUB	
4	LM0765001	1	GUIDE ASSY CRU L	
5	LM0766001	1	COVER GUIDE CRU	
6	LM0767001	1	LEVER FUSER LH	
7	LM0768001	1	LEVER FUSER RH	
8	LM0769001	1	CHUTE TRANSFER	
9	LM0770001	1	GUIDE ASSY CRU R	
10	LM0771001	1	LEVER LINK	
11	LM0772001	1	LINK GEAR 3	

MODEL HL-8050N 54Y201

6. ENGINE



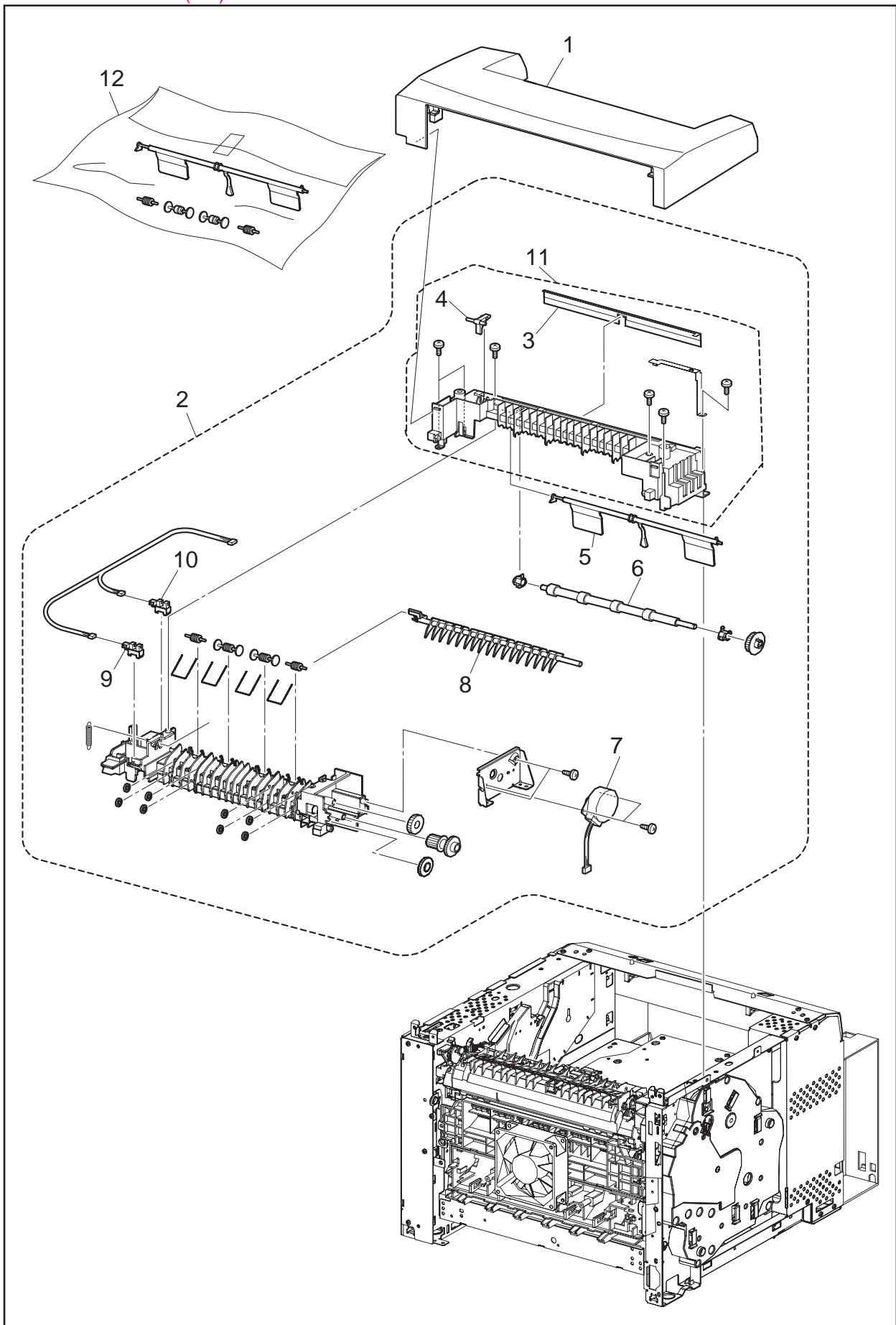
MODEL HL-8050N 54Y201

7. 500 PAPER EXIT (1/2)

REF.NO	CODE	Q'TY	DESCRIPTION	REMARK
1	LM0773001	1	COVER EXIT 500	
2	LM0984001	1	500 EXIT ASSY	CHG
3	LM0775001	1	ELIMINATOR EXIT	
4	LM0776001	1	LINK GATE CT	
5	LM0985001	1	ACTUATOR FULL STACK	CHG
6	LM0780001	1	ROLL EXIT	
7	LM0781001	1	MOTOR ASSY EXIT	
8	LM0782001	1	GATE CT EXIT	
9	LM0027001	1	SENSOR FACE UP OPEN	
10	LM0027001	1	SENSOR FULL STACK	
11	LM0910001	1	KIT CHUTE UP 550	add
12	LM0974001		KIT CORRUGATION2_500	ADD

MODEL HL-8050N 54Y201

7. 500 PAPER EXIT(1/2)



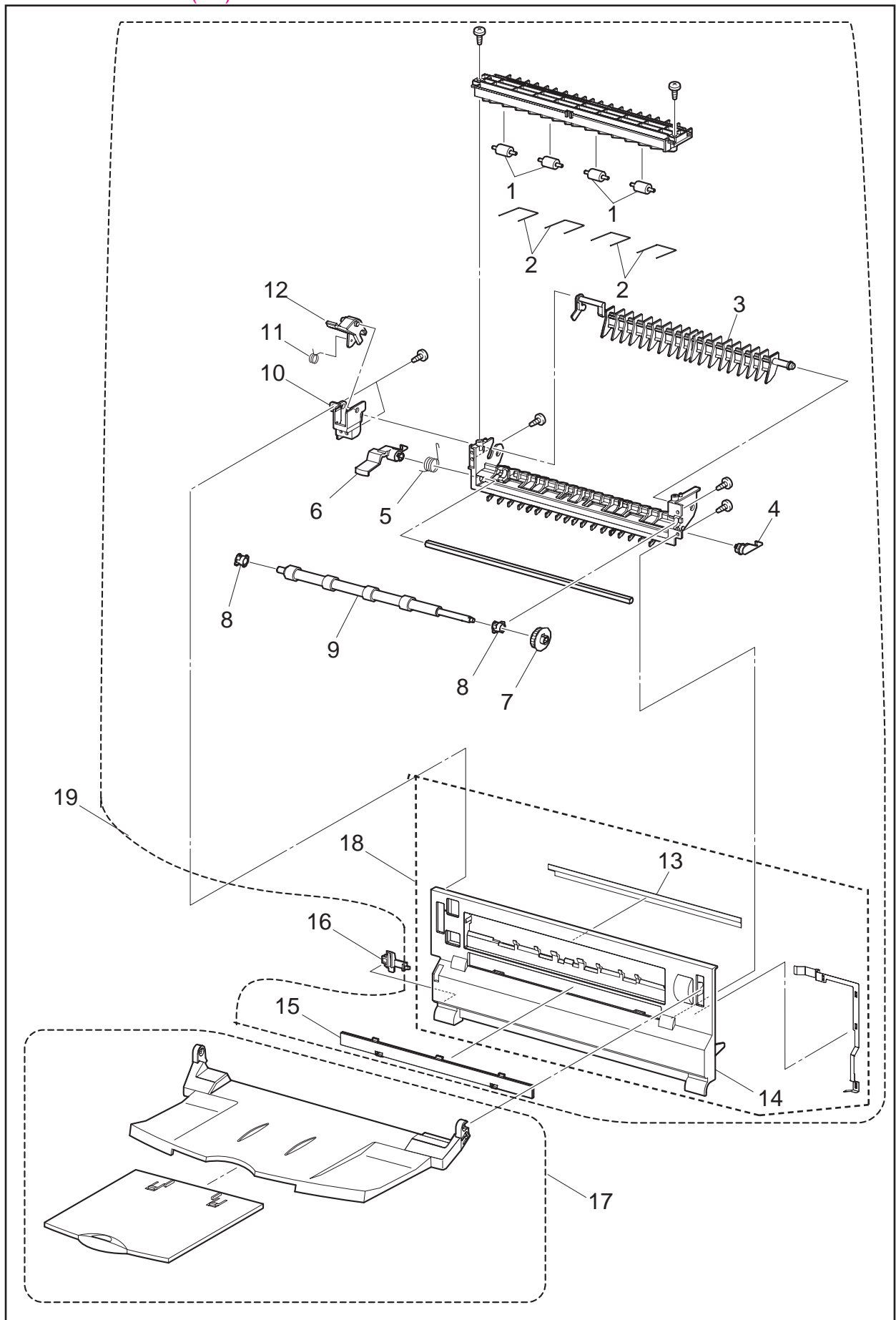
MODEL HL-8050N 54Y201

8. 500 PAPER EXIT (2/2)

REF.NO	CODE	Q'TY	DESCRIPTION	REMARK
1	LM0783001	4	ROLL PINCH FU	
2	LM0784001	4	SPRING PINCH FU	
3	LM0785001	1	GATE FU	
4	LM0786001	1	LEVER LATCH LEFT	
5	LM0787001	1	SPRING LATCH FU	
6	LM0788001	1	LEVER LATCH RIGHT	
7	LM0789001	1	GEAR 21	
8	LM0790001	2	BEARING EXIT	
9	LM0791001	1	ROLL FU	
10	LM0792001	1	LEVER GATE HOLDER	
11	LM0793001	1	SPRING LEVER GATE	
12	LM0794001	1	LEVER GATE FU	
13	LM0795001	1	ELIMINATOR EXIT FU	
14	LM0796001	1	COVER REAR 500	
15	LM0797001	1	COVER DUP	
16	LM0798001	1	STOPPER FSR	
17	LM0799001	1	TRAY FU ASSY	
18	LM0912001	1	KIT COVER REAR 500	ADD
19	LM0911001	1	COVER REAR 500	ADD

MODEL HL-8050N 54Y201

8. 500 PAPER EXIT (2/2) & FACE UP TRAY



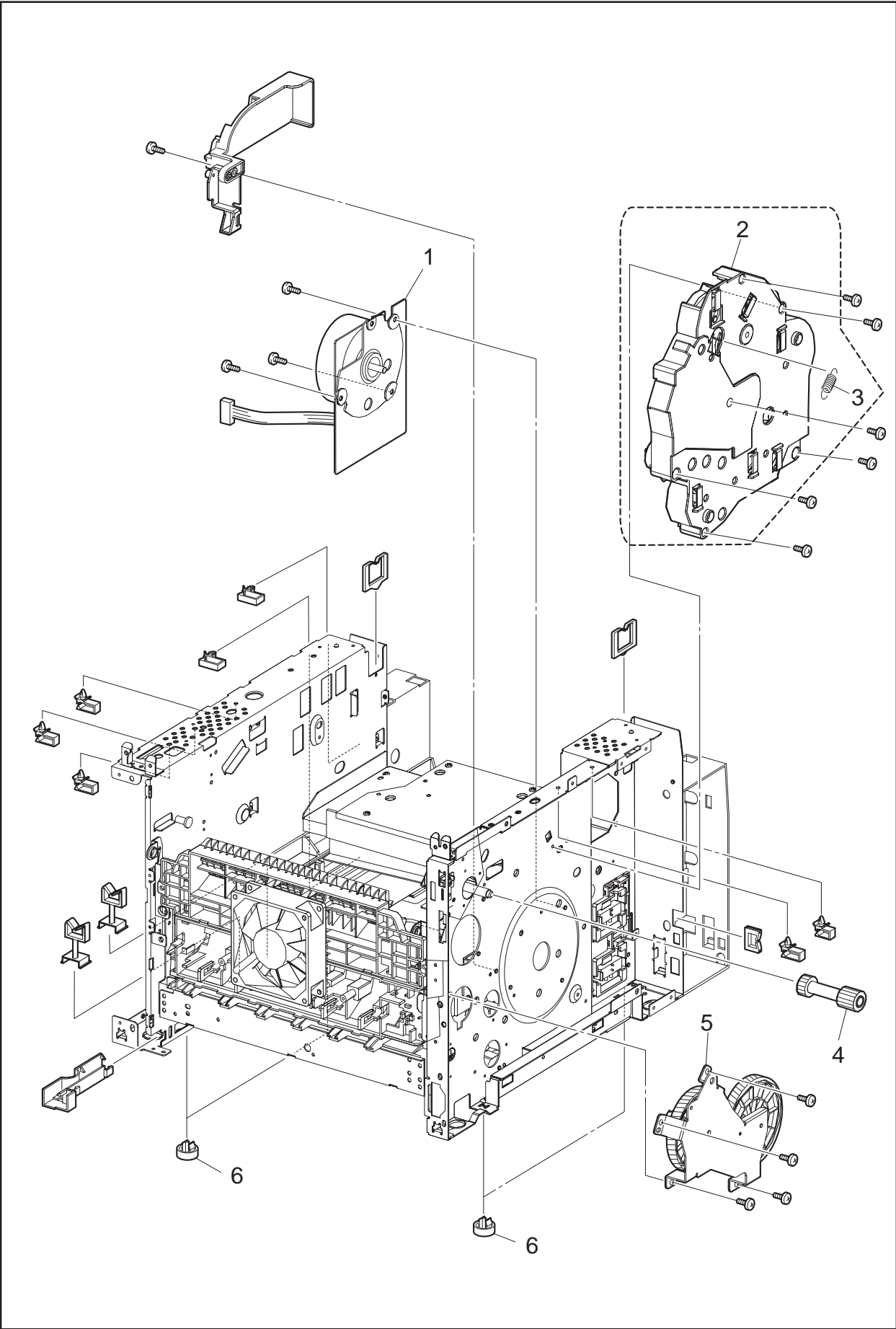
MODEL HL-8050N 54Y201

9. FRAME & DRIVE

REF.NO	CODE	Q'TY	DESCRIPTION	REMARK
1	LM0800001	1	MAIN MOTOR	
2	LM0801004	4	GEAR ASSY HOUSING	DEL
2	LM0915001	1	KIT GEAR ASSY HSG H	ADD
3	LM0802001	1	SPRING RELEASE	
4	LM0803001	1	GEAR 9	
5	LM0804001	1	GEAR ASSY PLATE	
6	LM0805001	4	FOOT 550	

MODEL HL-8050N 54Y201

9. FRAME & DRIVE



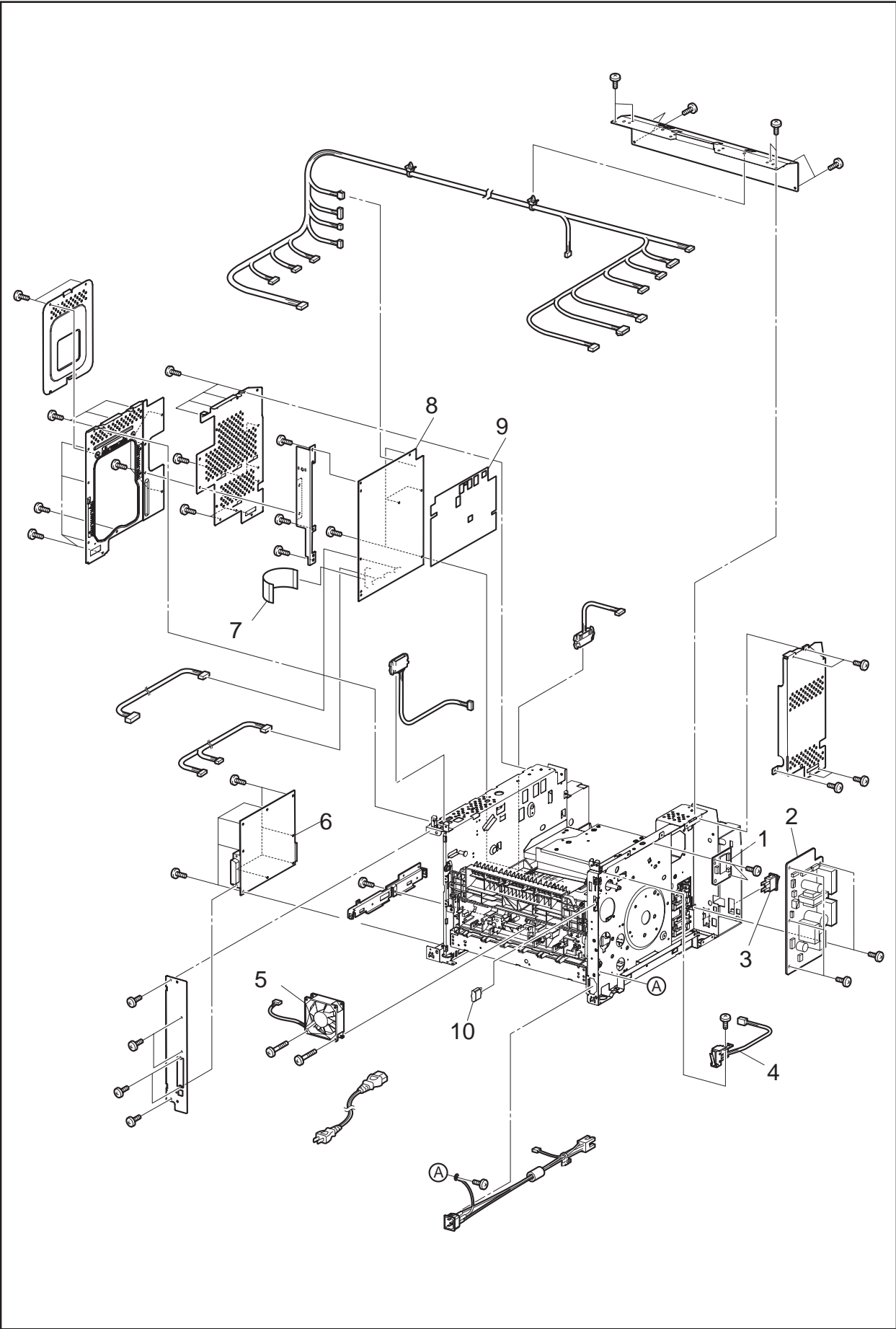
MODEL HL-8050N 54Y201

10. ELECTRICAL

REF.NO	CODE	Q'TY	DESCRIPTION	REMARK
1	LM0806001	1	PWBA EXIT MOTOR	
2	LJ9527001	1	LVPS 110V	
2	LJ9528001	1	LVPS 220V	
3	LM0807001	1	POWER SWITCH	
4	LM0808001	1	INTERLOCK S/W REAR	
5	LM0809001	1	FAN MAIN (J244)	
6	LM9117001	1	PWBA ESS (MAIN PCB ASSY, HL-8050N)	CHG
7	LM0810001	1	FFC ASSY ESS	
8	LJ9531001	1	HVPS/MCU 110V	
8	LJ9598001	1	HVPS/MCU 220V	add
9	LM0811001	1	MAILER HVPS	
10	LM0812001	1	CAP CONNECTOR-DRAWER	

MODEL HL-8050N 54Y201

10. ELECTRICAL







MODEL HL-8050N 54Y201

11. AC CORD

REF.NO	CODE	Q'TY	DESCRIPTION	REMARK
1	LJ9473001	1	AC CORD, UL/CSA	
2	LJ9103001	1	AC CORD ASSY LF, VDE	
3	LJ9257001	1	AC CORD ASSY LF, BS	
4	LJ9666001	1	AC CORD LF, SAA	CHG

MODEL HL-8050N 54Y201

11. AC CORD

1	
2	
3	
4	

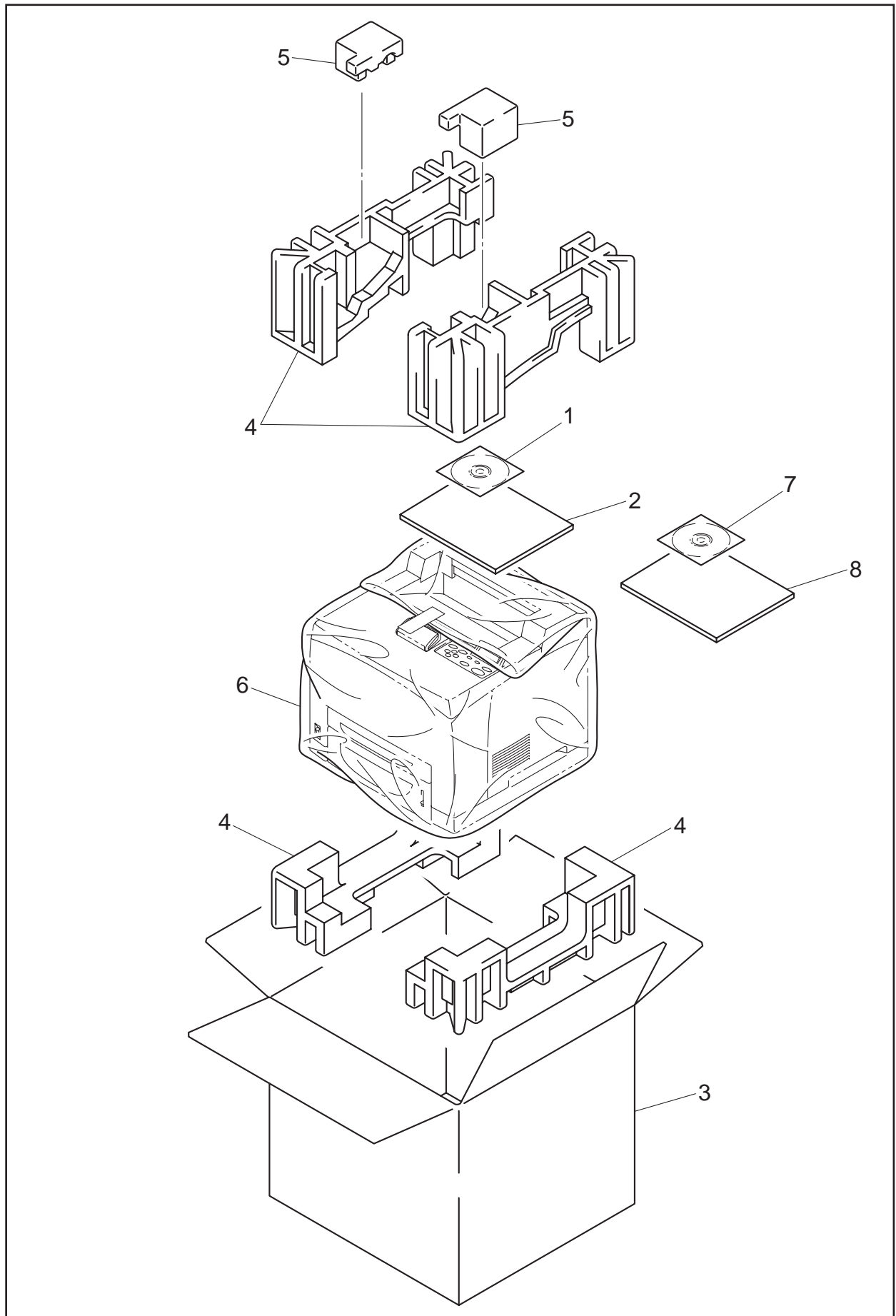
MODEL HL-8050N 54Y201

12. ACCESSORIES & PACKING

REF.NO	CODE	Q'TY	DESCRIPTION	REMARK
1	LM0946001	1	CD ASSY HL-8050	chg
2	LM0944001	1	SET GUIDE, HL-8050, ENG	chg
2	LM0945001	1	SET GUIDE, HL-8050, FRE	chg
2	LM0881001	1	SET GUIDE, HL-8050, GER	
2	LM0882001	1	SET GUIDE, HL-8050, NL	
2	LM0883001	1	SET GUIDE, HL-8050, SPA	
2	LM0884001	1	SET GUIDE, HL-8050, POR	
2	LM0885001	1	SET GUIDE, HL-8050, ITA	
3	LL0765001	1	CARTON, HL-8050N	
4	LL0766001	1	PACKING PAD SET, HL-8050N	
5	LL0838001	1	PACKING PAD CRU SET	
6	LL0839001	1	BAG	
7	LU0428001	1	CD-ROM ASSY VISTA	ADD
8	LU0354001	1	SETUP GUIDE VISTA ENG	ADD
8	LU0356001	1	SETUP GUIDE VISTA FRE	ADD

MODEL HL-8050N 54Y201

12. ACCESSORIES & PACKING



MODEL HL-8050N 54Y201