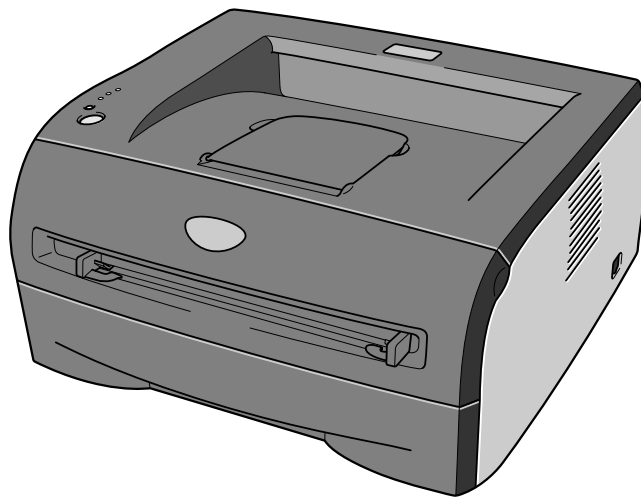




Brother Laser Printer **PARTS REFERENCE LIST**

**MODEL:
HL-2030/2032/2040/2070N
HL-2045/2075N**



Read this list thoroughly before maintenance work.

Keep this list in a convenient place for quick and easy reference at all times.

NOTE FOR USING THIS PARTS REFERENCE LIST

1. In the case of ordering parts, it is necessary to mention the following items;

- (1) Code
- (2) Q'ty
- (3) Description
- (4) Symbol (PCB No. etc)

< Example >

	(1)	(2)	(3)	(4)	
REF.NO.	CODE	Q'TY	DESCRIPTION	SYMBOL	REMARK

Revision No.: marked on the **main printed circuit board (Main PCB)**.

B48K056

.....Circuit board No.

2. Design-changed parts :

If any of the parts is changed, one of the following symbols is indicated in the REMARK column.

CHG(chg) : The parts is changed to a new parts.

ADD(add) : The parts is newly added.

DEL(del) : The parts is deleted.

Symbol in capital letters indicates the latest parts change information in the page.

3. The original parts reference list is based on the information available in December 2004.

4. Parts are subject to change in design without prior notice.

CONTENTS

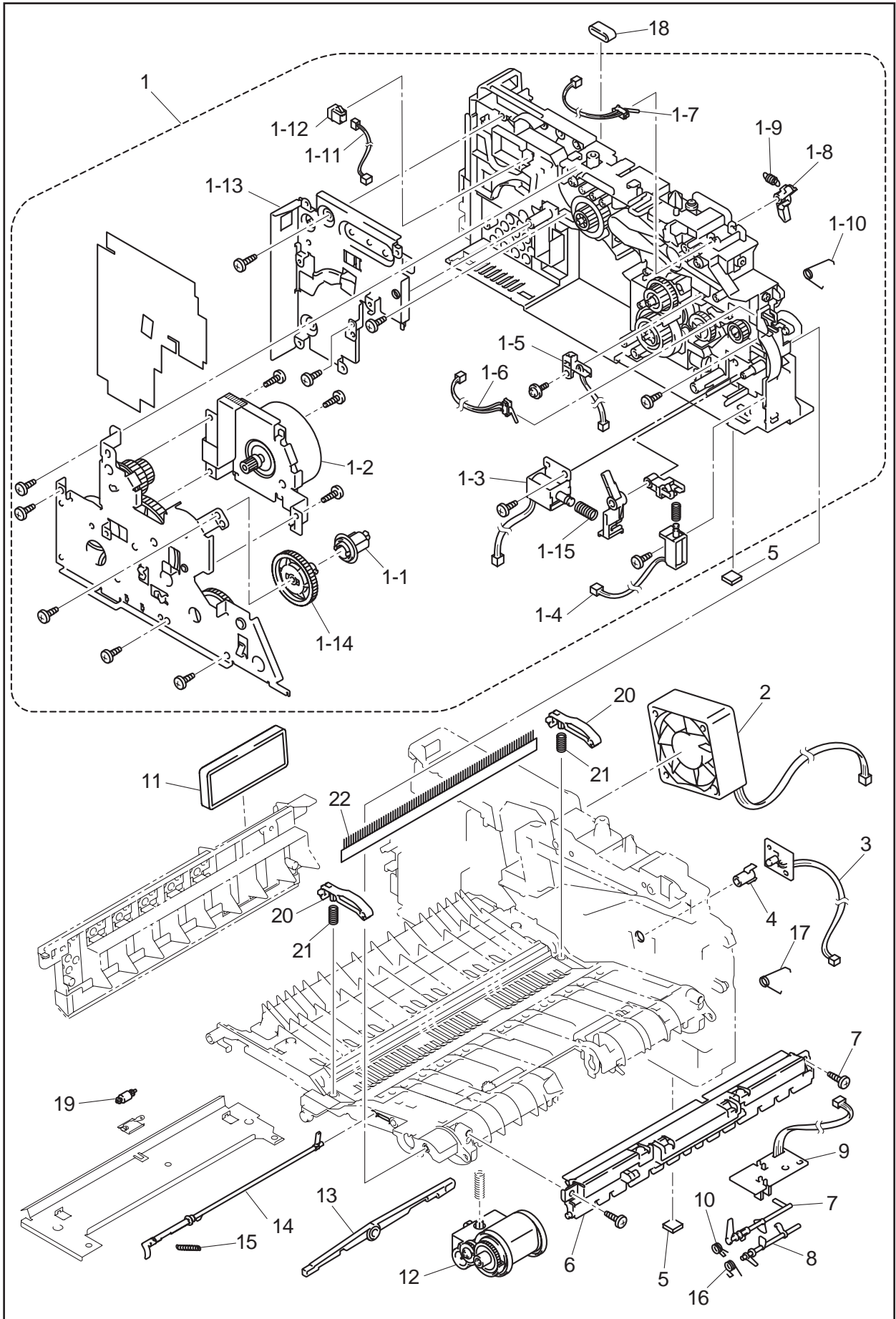
1.	<u>FRAME UNIT</u>	1
2.	<u>LASER UNIT</u>	3
3.	<u>PAPER TRAY</u>	3
4.	<u>FIXING UNIT</u>	5
5.	<u>COVERS/LABELS</u>	7
6.	<u>MAIN PCB</u>	9
7.	<u>LVPS</u>	11
8.	<u>HVPS</u>	11
9.	<u>AC CORD</u>	13
10.	<u>ACCESSORIES</u>	13
11.	<u>PACKING MATERIALS</u>	15
12.	<u>MAINTENANCE PARTS</u>	15

1. FRAME UNIT

REF.NO.	CODE	Q'TY	DESCRIPTION	REMARK
1	LM6238001	1	MAIN FRAME L ASSY 30-SV	chg
1	LM6237001	1	MAIN FRAME L ASSY 40-SV	chg
1	LM4921001	1	MAIN FRAME L ASSY 70N-S	chg
1-1	LM4227001	1	DEVELOP JOINT	
1-2	LM4341001	1	MAIN MOTOR ASSY	
1-3	LM4234001	1	F/R SOLENOID ASSY	
1-4	LM4238001	1	P/R SOLENOID ASSY	
1-5	LJ9740001	1	TONER SENSOR PCB ASSY ALL	
1-6	LM4257001	1	COVER SENSOR	
1-7	LM4262001	1	NEW TONER SENSOR	
1-8	LM4260001	1	NEW TONER ACTUATOR	
1-9	LM4261001	1	NEW TONER ACTUATOR SPRING	
1-10	LM6480001	1	PINCH SPRING L	chg
1-11	LM9014001	1	THERMISTOR RELAY HARNESS-S (HL2030/2040)	chg
1-11	LM9014001	1	THERMISTOR RELAY HARNESS-S (HL2070N)	add
1-12	LM9013001	1	THERMISTOR HARNESS JOINT-S	add
1-13	LM6214001	1	MAIN SHIELD PLATE 1 (HL-2030)	add
1-14	LM4225001	1	DEVELOP DRIVE GEAR	add
1-15	LM4633001	1	SOLENOID RELEASE SPRING ALL	ADD
2	LM4265001	1	FAN MOTOR 60 UNIT	
3	LJ9747001	1	TONER LED PCB ASSY ALL	
4	LM4267001	1	LED HOLDER	
5	LJ7403001	2	RUBBER FOOT	
6	LM4275001	1	SUB CHUTE ASSY	
7	LM4282001	1	REGIST FRONT ACTUATOR	
8	LM4283001	1	TAIL EDGE ACTUATOR	
9	LJ9751001	1	REGIST SENSOR PCB ASSY	
10	LM4285001	1	REGIST FRONT SPRING	
11	LM4570001	1	FILTER ASSY	
12	LM4300001	1	PICKUP ROLLER HOLDER ASSY	
13	LM6482001	1	LINK LEVER ALL	chg
14	LM4284001	1	REGIST REAR ACTUATOR	
15	LM4286001	1	REGIST REAR SPRING	
16	LM4287001	1	TAIL EDGE SPRING	
17	LM6481001	1	PINCH SPRING R	chg
18	LJ9888001	1	CORE:23.8X15X6.3X1.1	add
19	LJ7432001	1	CLEANER PINCH ROLLER ASSY L	add
20	LM4357001	2	TRANSFER ARM	add
21	LM4358001	2	TRANSFER ARM SPRING	add
22	LM4595001	1	ANTI-STATIC BRUSH ALL	add

MODEL HL-2030/2040/2070N 84U-Z81/Z83/Z82-010

1. FRAME UNIT



MODEL HL-2030/2040/2070N 84U-Z81/Z83/Z82-010

2. LASER UNIT

REF.NO.	CODE	Q'TY	DESCRIPTION	REMARK
1	LM4578001	1	LASER UNIT ALL (SP)	
2	LJ0908001	1	LASER CAUTION LABEL B	
2	UL7931001	1	LASER CAUTION LABEL CHN	ADD

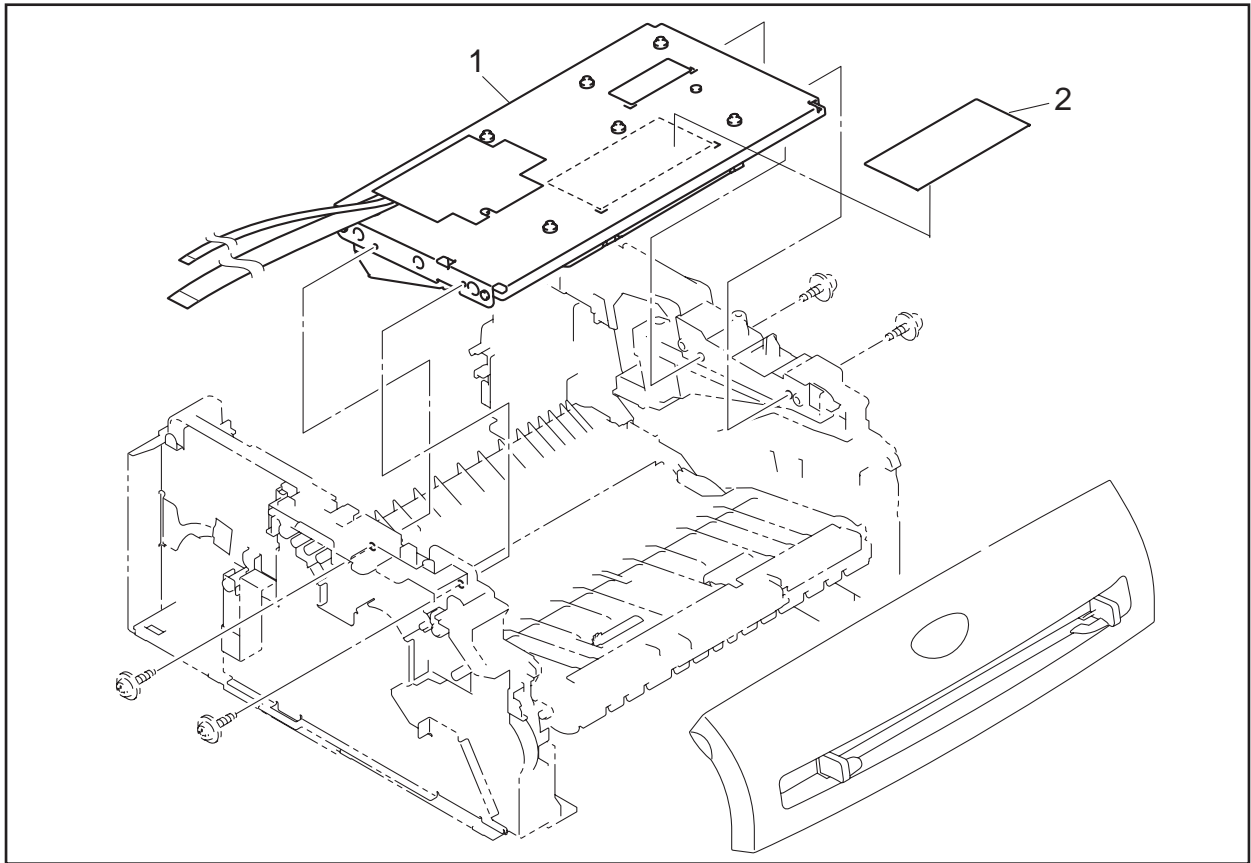
MODEL HL-2030/2040/2070N 84U-Z81/Z83/Z82-020

3. PAPER TRAY

REF.NO.	CODE	Q'TY	DESCRIPTION	REMARK
1	LM6331001	1	PAPER TRAY ASSY, LIGHT GRAY (1581)	chg
1	LM6331002	1	PAPER TRAY ASSY, DARK GRAY (1736)	chg
1	LM6333001	1	PAPER TRAY ASSY EUR, LIGHT GRAY (1581)	chg
1	LM6333002	1	PAPER TRAY ASSY EUR, DARK GRAY (1736)	chg
1	LM6331007	1	PAPER TRAY ASSY (HL-2045 CHN)	ADD
1	LM6331008	1	PAPER TRAY ASSY (HL-2075N CHN)	ADD
1-1	LM4146001	1	SEPARATION PAD SPRING	
1-2	LM4143001	1	SEPARATION PAD HOLDER ASSY	

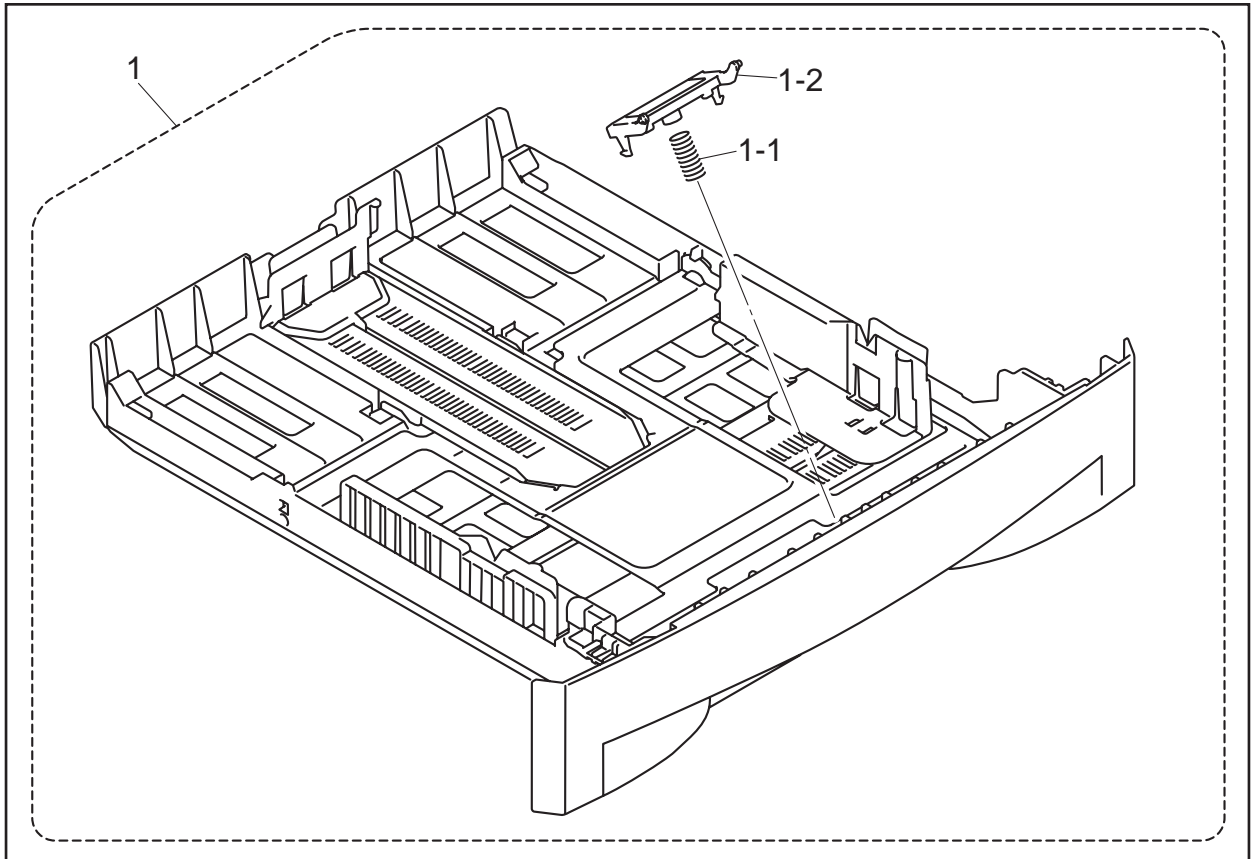
MODEL HL-2030/2040/2070N 84U-Z81/Z83/Z82-045

2. LASER UNIT



MODEL HL-2030/2040/2070N 84U-Z81/Z83/Z82-020

3. PAPER TRAY



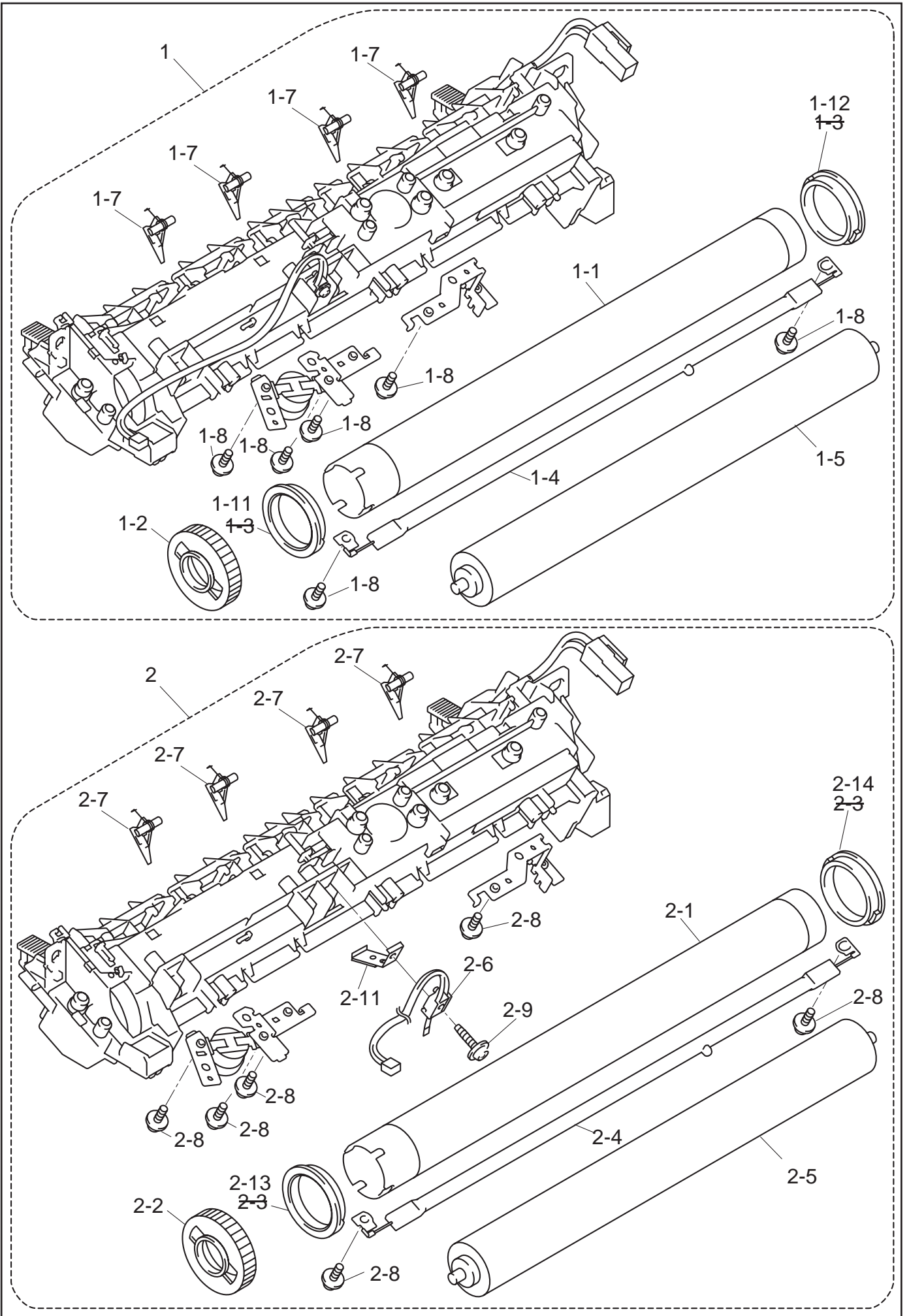
MODEL HL-2030/2040/2070N 84U-Z81/Z83/Z82-045

4. FIXING UNIT

REF.NO.	CODE	Q'TY	DESCRIPTION	REMARK
1	LM6721001	1	FUSER UNIT, 115V I-10/5 (SP)	CHG
1	LM6723001	1	FUSER UNIT, 230V I-10/5 (SP)	CHG
1-1	LM4009001	1	HEAT ROLLER	
1-2	LM4010001	1	HR GEAR	
1-3	LM4011001	2	HR BUSH	DEL
1-4	LM4012001	1	HALOGEN HEATER, 115V	
1-4	LM4022001	1	HALOGEN HEATER, 230V	
1-5	LM4013001	1	PRESSURE ROLLER	
1-6	LM4018001	4	THERMISTOR ASSY	del
1-7	LM4994001	4	SEPARATE CLAW ASSY 10/1	chg
1-8	LM3855001	6	SCREW, PAN (S/P WASHER) M3X8	
1-9	087311216	4	TAPTITE CUP B M3X12	del
1-10	LM4997001	4	SEPARATE CLAW ASSY 10/2	del
1-11	LM6735001	1	HR BUSH L	ADD
1-12	LM6736001	1	HR BUSH R	ADD
2	LM6722001	1	FUSER UNIT, 115V S-10/5 (SP)	CHG
2	LM6724001	1	FUSER UNIT, 230V S-10/5 (SP)	CHG
2	LM6725001	1	FUSER UNIT, 230V IND S-10/5 (SP)	CHG
2-1	LM4009001	1	HEAT ROLLER	
2-1	LM6545001	1	HEAT ROLLER IND	add
2-2	LM4010001	1	HR GEAR	
2-3	LM4011001	2	HR BUSH	DEL
2-4	LM4012001	1	HALOGEN HEATER, 115V	
2-4	LM4022001	1	HALOGEN HEATER, 230V	
2-5	LM4013001	1	PRESSURE ROLLER	
2-6	LM4865001	1	THERMISTOR ASSY-S	add
2-7	LM4994001	4	SEPARATE CLAW ASSY 10/1	chg
2-8	LM3855001	6	SCREW, PAN (S/P WASHER) M3X8	
2-9	087311216	1	TAPTITE CUP B M3X12	
2-10	LM4997001	4	SEPARATE CLAW ASSY 10/2	del
2-11	LM6305001	1	THERMISTOR CLEANER ASSY 2 *	chg
2-12	087310816	4	TAPTITE CUP B M3X8	del
2-13	LM6735001	1	HR BUSH L	ADD
2-14	LM6736001	1	HR BUSH R	ADD

* <For the printer with the serial number "J5J694978" or later> It is necessary to replace this parts and the CLEANER PINCH ROLLER ASSY L (LJ7432001) of Ref. No.19, "1. FRAME UNIT" at the same time.

4. FIXING UNIT



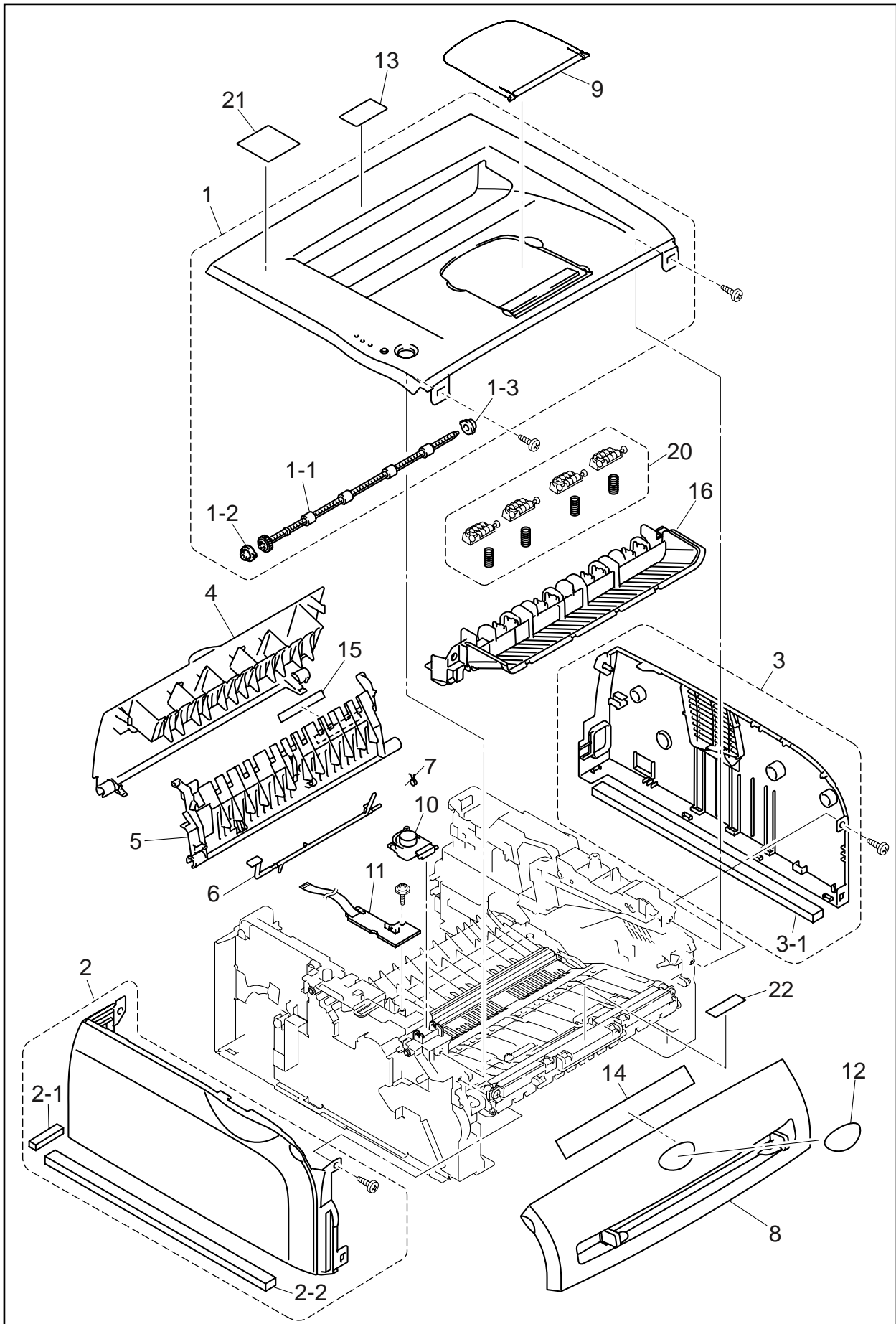
MODEL HL-2030/2040/2070N 84U-Z81/Z83/Z82-050

5. COVERS/ LABELS

REF.NO.	CODE	Q'TY	DESCRIPTION	REMARK
1	LM4973001	1	TOP COVER ASSY, LIGHT GRAY (1581)	chg
1	LM4973002	1	TOP COVER ASSY, DARK GRAY (1736)	chg
1-1	LM4105001	1	EJECT ROLLER ASSY ALL	add
1-2	LM4108001	1	BUSH L	ADD
1-3	LM4107001	1	BUSH R	ADD
2	LM4716001	1	SIDE COVER L ASSY, DARK GRAY (1736)	
2	LM4716002	1	SIDE COVER L ASSY, LIGHT GRAY (1581)	
2-1	LM4626001	1	COVER SPONGE L1	add
2-2	LM4625001	1	COVER SPONGE	add
3	LM4717001	1	SIDE COVER R ASSY, DARK GRAY (1736)	
3	LM4717002	1	SIDE COVER R ASSY, LIGHT GRAY (1581)	
3-1	LM4625001	1	COVER SPONGE	add
4	LM6229001	1	REAR COVER, DARK GRAY (1736)	chg
4	LM6229002	1	REAR COVER, LIGHT GRAY (1581)	chg
5	LM4972001	1	REAR CHUTE COVER	chg
6	LM6320001	1	PAPER EJECT ACTUATOR 3	chg
7	LM6309001	1	EJECT ACTUATOR SPRING 3	chg
8	LM4124001	1	FRONT COVER ASSY, LIGHT GRAY (1581)	
8	LM4124002	1	FRONT COVER ASSY, DARK GRAY (1736)	
8	LM4755001	1	FRONT COVER ASSY (HL-2030/2040 RUS, HL-2045 CHN)	
8	LM4755002	1	FRONT COVER ASSY (HL-2070N RUS)	
8	LM4755004	1	FRONT COVER ASSY (HL-2075N CHN)	add
8	LM4556001	1	FRONT COVER ASSY CHN, LIGHT GRAY (1581)	add
8	LM4556002	1	FRONT COVER ASSY CHN, DARK GRAY (1736)	add
9	LM4129001	1	PAPER STOPPER, LIGHT GRAY (1581)	
9	LM4129002	1	PAPER STOPPER, DARK GRAY (1736)	
10	LM4130001	1	SW KEY	
10	LM4130003	1	SW KEY (HL-2045 CHN)	add
10	LM4130004	1	SW KEY (HL-2075N CHN)	add
11	LJ9788001	1	PANEL PCB ASSY ALL	
12	LM4162001	1	BROTHER EMBLEM (HL-2030/2040)	
12	LM4162002	1	BROTHER EMBLEM (HL-2070N/2032, HL-2075N CHN)	
12	LM4162003	1	BROTHER EMBLEM (HL-2045 CHN)	add
13	LM4164001	1	MODEL PLATE 2030	
13	LM4347001	1	MODEL PLATE 2040	
13	LM4336001	1	MODEL PLATE 2070N	
13	LM4714001	1	MODEL PLATE 2030 RUS	
13	LM4712001	1	MODEL PLATE 2070N RUS	
13	LM4713001	1	MODEL PLATE 2040 RUS	
13	LM4924001	1	MODEL PLATE 2032	add
13	LM6771001	1	MODEL PLATE 2045 CHN	add
13	LM6772001	1	MODEL PLATE 2075N CHN	add
14	LM7049001	1	PROCESS U OP LABEL ALL 2	chg
15	LM7050001	1	HEATER CAUTION LABEL R ALL 2	chg
16	LM4113001	1	INNER CHUTE, LIGHT GRAY (1581)	add
16	LM4113002	1	INNER CHUTE, DARK GRAY (1736)	add
17	LM4621001	2	PINCH ROLLER SPRING 2 (CHN, SAF, SGP/GULF, KOR)	del
18	LM4116001	2	PINCH ROLLER SPRING (CHN, SAF, SGP/GULF, KOR)	del
19	LM4116001	4	PINCH ROLLER SPRING	del
20	LM6289001	1	PINCH ROLLER SP ASSY 2	add
20	LM6598001	1	PINCH ROLLER SP ASSY 3 (IND, CHN)	add
21	LU0234001	1	CAUTION LABEL S 30X30	add
22	LU0233001	1	CAUTION LABEL S 13X40	add

MODEL HL-2030/2040/2070N 84U-Z81/Z83/Z82-060,061

5. COVERS/LABELS



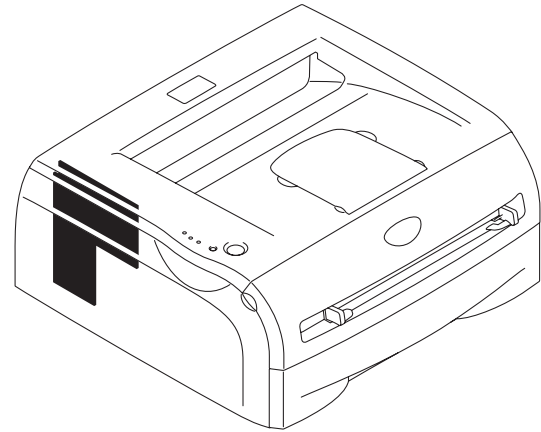
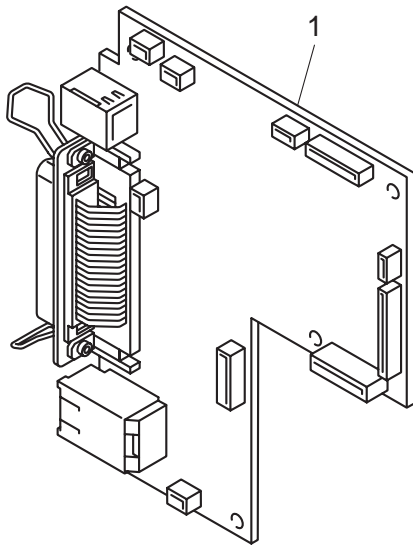
MODEL HL-2030/2040/2070N 84U-Z81/Z83/Z82-060,061

6. MAIN PCB

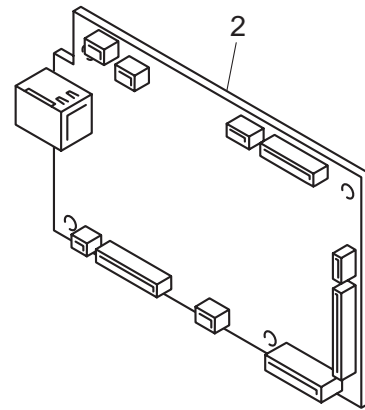
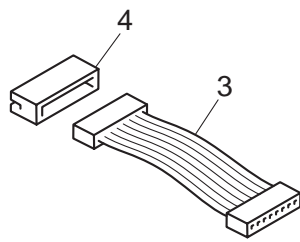
REF.NO.	CODE	Q'TY	DESCRIPTION	SYMBOL	REMARK
1	LJ9712001	1	MAIN PCB ASSY 2030 FLASH		
1	LJ9797001	1	MAIN PCB ASSY 2040 FLASH		
1	LJ9928001	1	MAIN PCB ASSY 2040 FLASH CHN		add
1	LJ9764001	1	MAIN PCB ASSY 2070N FLASH		
1	LJ9930001	1	MAIN PCB ASSY 2070N FLASH CHN		add
2	LM9062001	1	MAIN PCB ASSY 2030 SV	B512219	chg
2	LM9104001	1	MAIN PCB ASSY 2040 SV	B512224	chg
2	LM9105001	1	MAIN PCB ASSY 2040 CHN SV	B512224	chg
2	LM9427001	1	MAIN PCB ASSY 2045 CHN		ADD
2	LM9056001	1	MAIN PCB ASSY 2070N SV	B512225	chg
2	LM9057001	1	MAIN PCB ASSY 2070N CHN SV	B512225	chg
2	LM9424001	1	MAIN PCB ASSY 2075N CHN		ADD
3	LM9085001	1	LV EXT HARNESS ASSY ALL SV (HL-2030)		add
4	LM9109001	1	CONNECTOR:B8B-PH-TW-S(LF)RELAY SV (HL-2030)		add

MODEL HL-2030/2040/2070N 84U-Z81/Z83/Z82-101

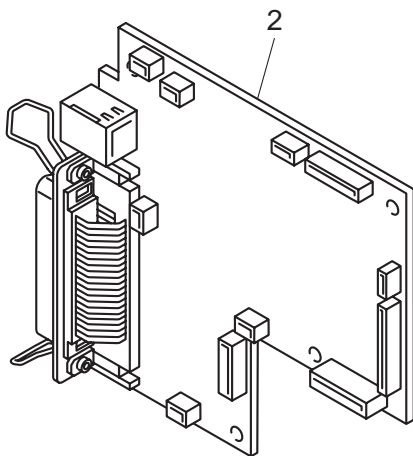
6. MAIN PCB



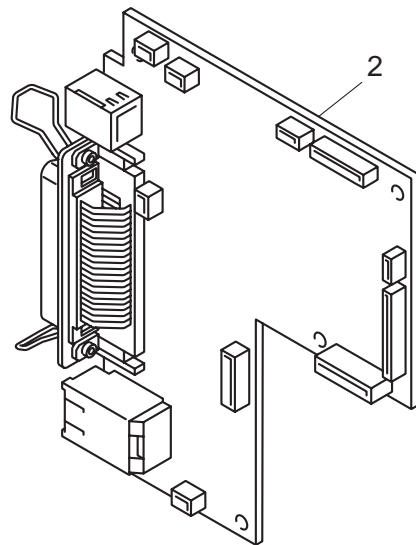
HL-2030



HL-2040



HL-2070N



MODEL HL-2030/2040/2070N 84U-Z81/Z83/Z82-101

7. LVPS

REF.NO.	CODE	Q'TY	DESCRIPTION	SYMBOL	REMARK
1	LJ9709001	1	PS PCB UNIT ALL, 115V		
1	LJ9761001	1	PS PCB UNIT ALL, 230V		
1	LJ9884001	1	PS PCB UNIT ALL CHN (CHN, IND, RUS)		CHG

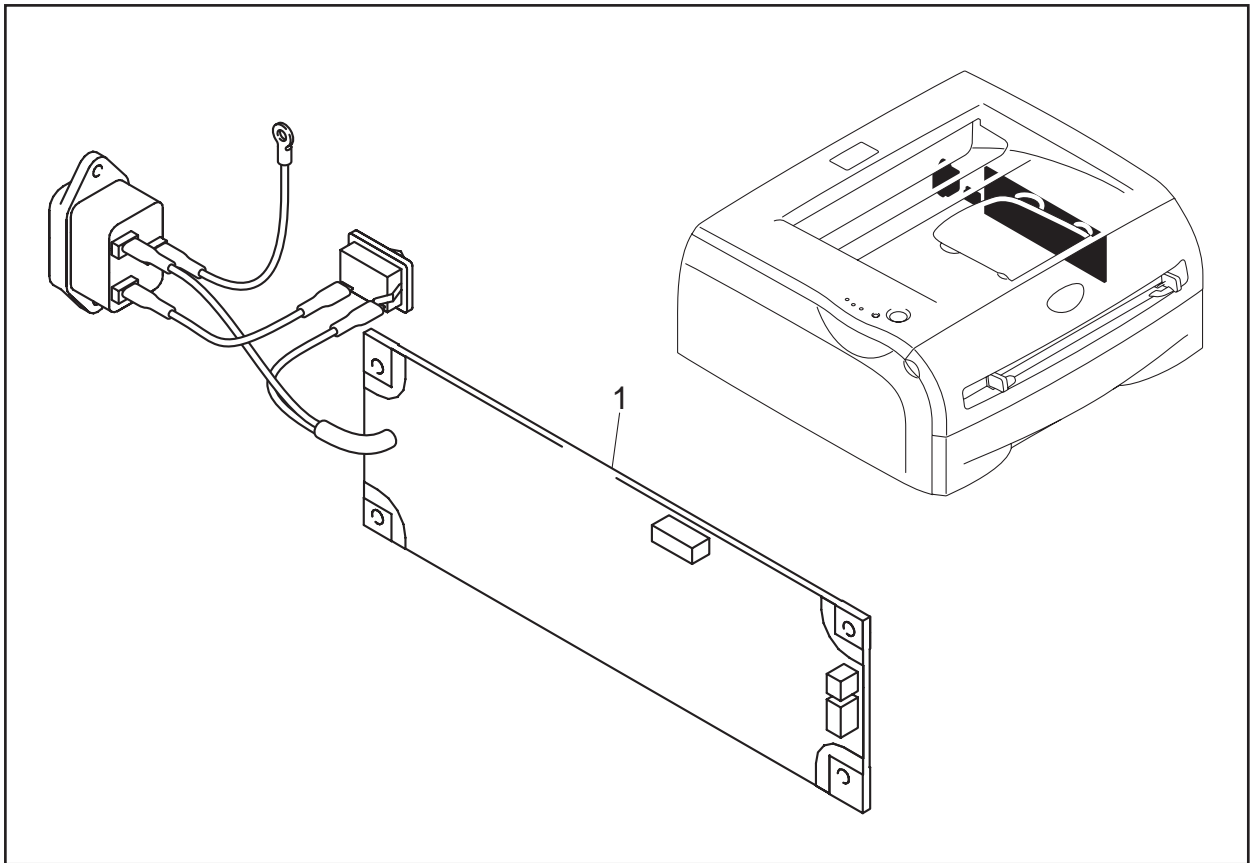
MODEL HL-2030/2040/2070N 84U-Z81/Z83/Z82-200

8. HVPS

REF.NO.	CODE	Q'TY	DESCRIPTION	SYMBOL	REMARK
1	LJ9708001	1	HIGH-VOLTAGE PS PCB ASSY ALL		

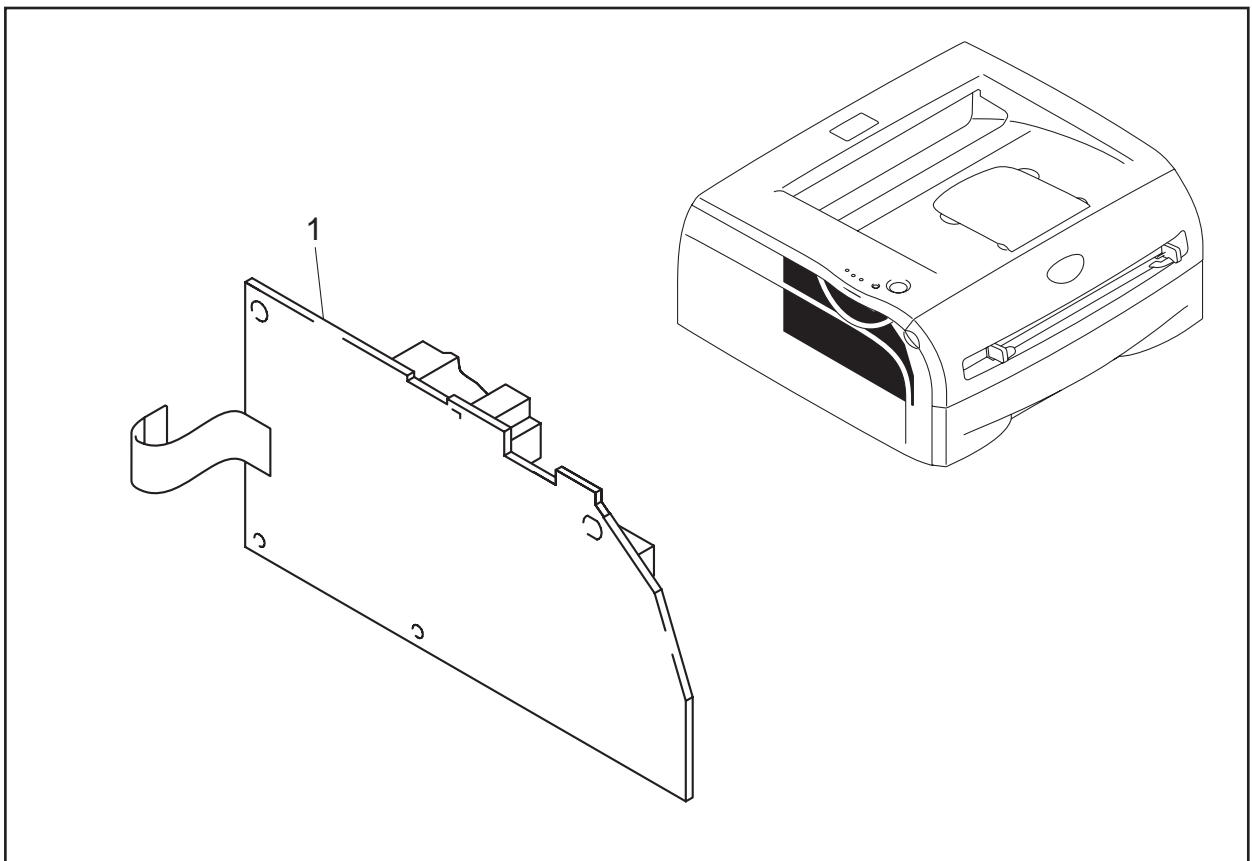
MODEL HL-2030/2040/2070N 84U-Z81/Z83/Z82-220

7. LVPS



MODEL HL-2030/2040/2070N 84U-Z81/Z83/Z82-200

8. HVPS



MODEL HL-2030/2040/2070N 84U-Z81/Z83/Z82-220

9. AC CORD

REF.NO.	CODE	Q'TY	DESCRIPTION	SYMBOL	REMARK
1A	LJ9271001	1	AC CORD ASSY LF, UL/ CSA 10A		
1B	LJ9103001	1	AC CORD ASSY LF, VDE		
1C	LJ9921001	1	AC CORD ASSY LF, BS/PSB		chg
1D	LJ9254001	1	AC CORD ASSY LF, SEV		
1E	LJ9256001	1	AC CORD ASSY LF, DEMKO		
1F	LM9288001	1	AC CORD ASSY LF, ISRAEL		chg
1G	LJ9338001	1	AC CORD ASSY LF, CHINA		
1H	LJ9295001	1	AC CORD ASSY LF, SOUTH AFRICA		
1I	LJ9294001	1	AC CORD ASSY LF, CHILE		
1J	LJ9666001	1	AC CORD ASSY LF, SAA		
1K	LJ9727001	1	AC CORD ASSY LF, ARGENTINA		




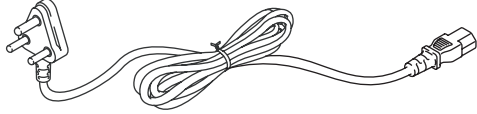



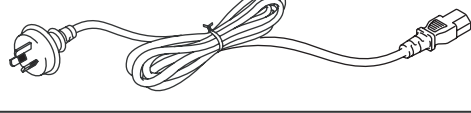
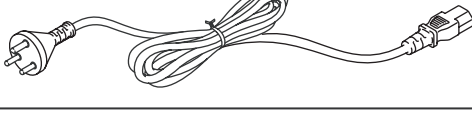

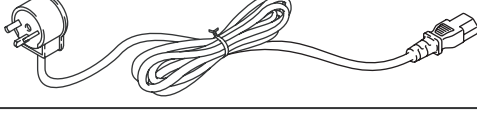
MODEL HL-2030/2040/2070N 84U-Z81/Z83/Z82-230

10. ACCESSORIES

REF.NO.	CODE	Q'TY	DESCRIPTION	REMARK
1	LM4757001	1	CD ASSY ALL	
1	LM4525001	1	CD ASSY ALL CHN (HL-2040/2070N)	
1	LM4599001	1	CD ASSY ALL KOR	
1	LM4737001	1	CD ASSY ALL EEU/RUS	add
1	LM6829001	1	CD ASSY ALL CHN (HL-2045/2075N)	add
2	LM4425001	1	SET GUIDE ALL ENG	
2	LM4438001	1	SET GUIDE ALL FRE	
2	LM4421001	1	SET GUIDE ALL GER	
2	LM4428001	1	SET GUIDE ALL DAN	
2	LM4431001	1	SET GUIDE ALL POR	
2	LM4430001	1	SET GUIDE ALL SPA	
2	LM4433001	1	SET GUIDE ALL ITA	
2	LM4528001	1	SET GUIDE ALL CHN (HL-2040/2070N)	
2	LM4435001	1	SET GUIDE ALL SWE	
2	LM4436001	1	SET GUIDE ALL FIN	
2	LM4440001	1	SET GUIDE ALL NOR	
2	LM4439001	1	SET GUIDE ALL DUT	
2	LM4730001	1	SET GUIDE ALL RUS	add
2	LM4728001	1	SET GUIDE ALL ENG/CZE/HUN	add
2	LM4729001	1	SET GUIDE ALL POL/BUL/ROM	add
2	LM6912001	1	SET GUIDE ALL CHN (HL-2045/2075N)	add
3	LU0424001	1	CD-ROM ASSY VISTA EU/US	CHG
3	LU0426001	1	CD-ROM ASSY VISTA CHN/ENG	ADD
3	LU0429001	1	CD-ROM ASSY VISTA EEU/RUS	ADD
3	LU0430001	1	CD-ROM ASSY VISTA KOR	ADD
4	LJ9803001	1	USB CABLE 2.0 CHN	add
5	LU0354001	1	SETUP GUIDE VISTA ENG	ADD
5	LU0355001	1	SETUP GUIDE VISTA GER	ADD
5	LU0356001	1	SETUP GUIDE VISTA FRE	ADD
5	LU0357001	1	SETUP GUIDE VISTA DUT	ADD
5	LU0358001	1	SETUP GUIDE VISTA ITA	ADD
5	LU0359001	1	SETUP GUIDE VISTA SPA	ADD
5	LU0360001	1	SETUP GUIDE VISTA POR	ADD
5	LU0361001	1	SETUP GUIDE VISTA NOR	ADD
5	LU0362001	1	SETUP GUIDE VISTA SWE	ADD
5	LU0363001	1	SETUP GUIDE VISTA DAN	ADD
5	LU0364001	1	SETUP GUIDE VISTA FIN	ADD
5	LU0365001	1	SETUP GUIDE VISTA ENG/CEZ/HUN	ADD
5	LU0366001	1	SETUP GUIDE VISTA POL/BUL/ROM	ADD
5	LU0367001	1	SETUP GUIDE VISTA RUS	ADD
5	LU0368001	1	SETUP GUIDE VISTA CHN	ADD

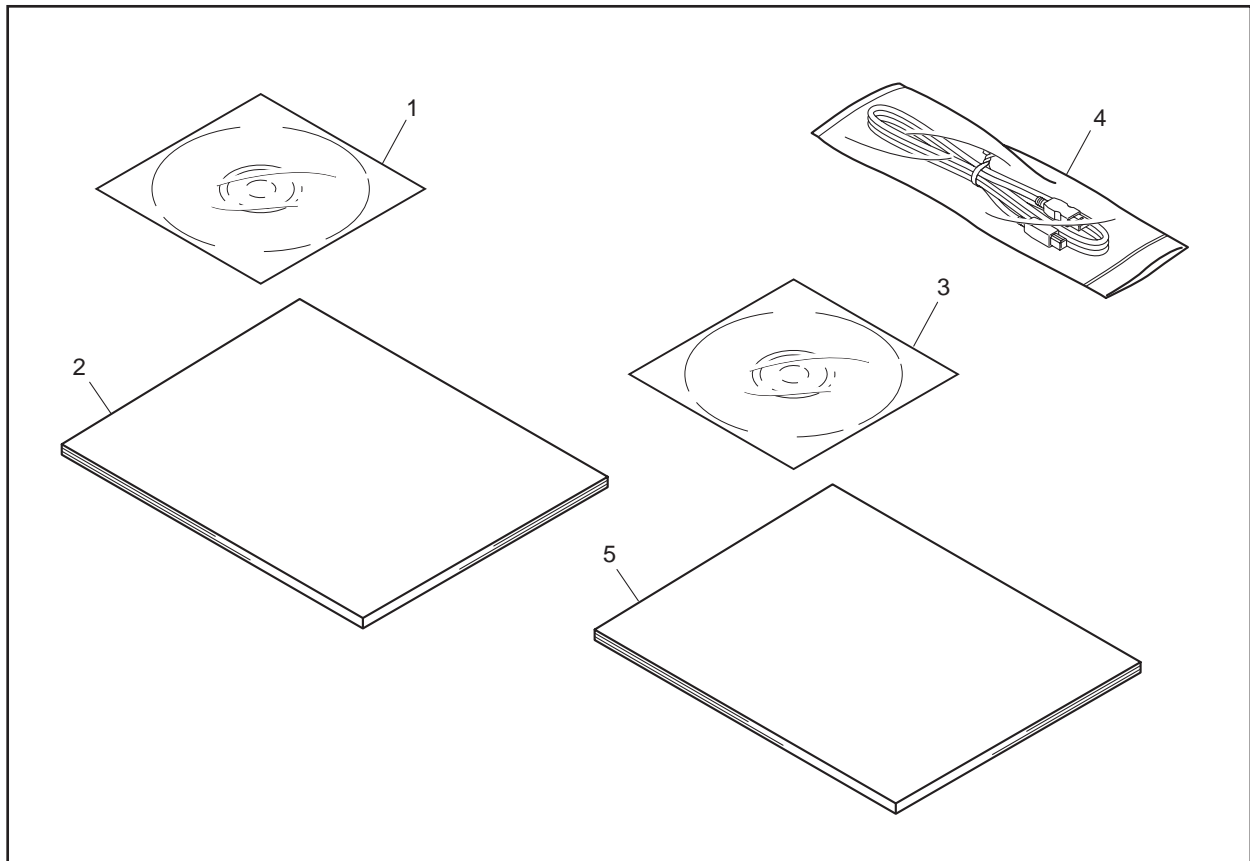
MODEL HL-2030/2040/2070N 84U-Z81/Z83/Z82-910/920

9. AC CORD

1A		1G	
1B		1H	
1C		1I	
1D		1J	
1E		1K	
1F			

MODEL HL-2030/2040/2070N 84U-Z81/Z83/Z82-230

10. ACCESSORIES



MODEL HL-2030/2040/2070N 84U-Z81/Z83/Z82-910/920

11. PACKING MATERIALS

REF.NO.	CODE	Q'TY	DESCRIPTION	REMARK
1	LM4422001	1	CARTON, HL-2030 EUR	
1	LM4734001	1	CARTON, HL-2030 RUS	add
1	LM4762001	1	CARTON, HL-2030 CAN	add
1	LM4452001	1	CARTON, HL-2040 US	
1	LM4461001	1	CARTON, HL-2040 EUR	
1	LM4529001	1	CARTON, HL-2040 CHN	
1	LM4600001	1	CARTON, HL-2040 KOR	
1	LM4735001	1	CARTON, HL-2040 RUS	add
1	LM4535001	1	CARTON, HL-2070 US	
1	LM4541001	1	CARTON, HL-2070 EUR	
1	LM4554001	1	CARTON, HL-2070 CHN	
1	LM4736001	1	CARTON, HL-2070 RUS	add
1	LM4925001	1	CARTON, HL-2032 EUR	add
1	LM6825001	1	CARTON, HL-2045 CHN	ADD
1	LM6827001	1	CARTON, HL-2075N CHN	ADD
2	LM4156001	1	POLYSTYRENE PAD ASSY ALL	
3	LM4159001	1	OPTION CARTON ALL	
3	LM6783001	1	OPTION CARTON ALL ASSY (CHN)	chg
4	LJ5590001	1	BAG, 550X650H	

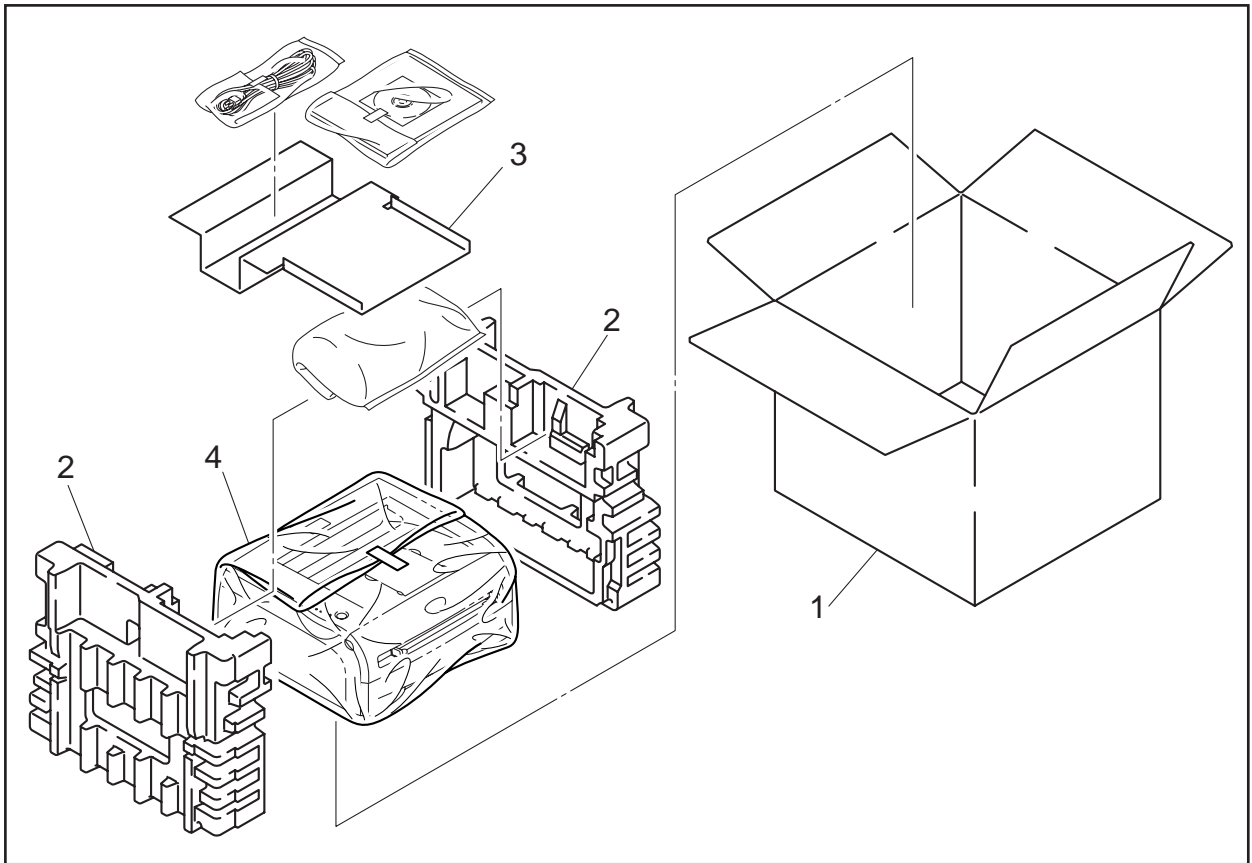
MODEL HL-2030/2040/2070N 84U-Z81/Z83/Z82-930

12. MAINTENANCE PARTS

REF.NO.	CODE	Q'TY	DESCRIPTION	REMARK
4	LM4581001	4	PAPER FEEDING KIT ALL	del
1	LM6291001	1	PAPER FEEDING KIT ALL	add
2	LM4726001	1	CHECK JIG	

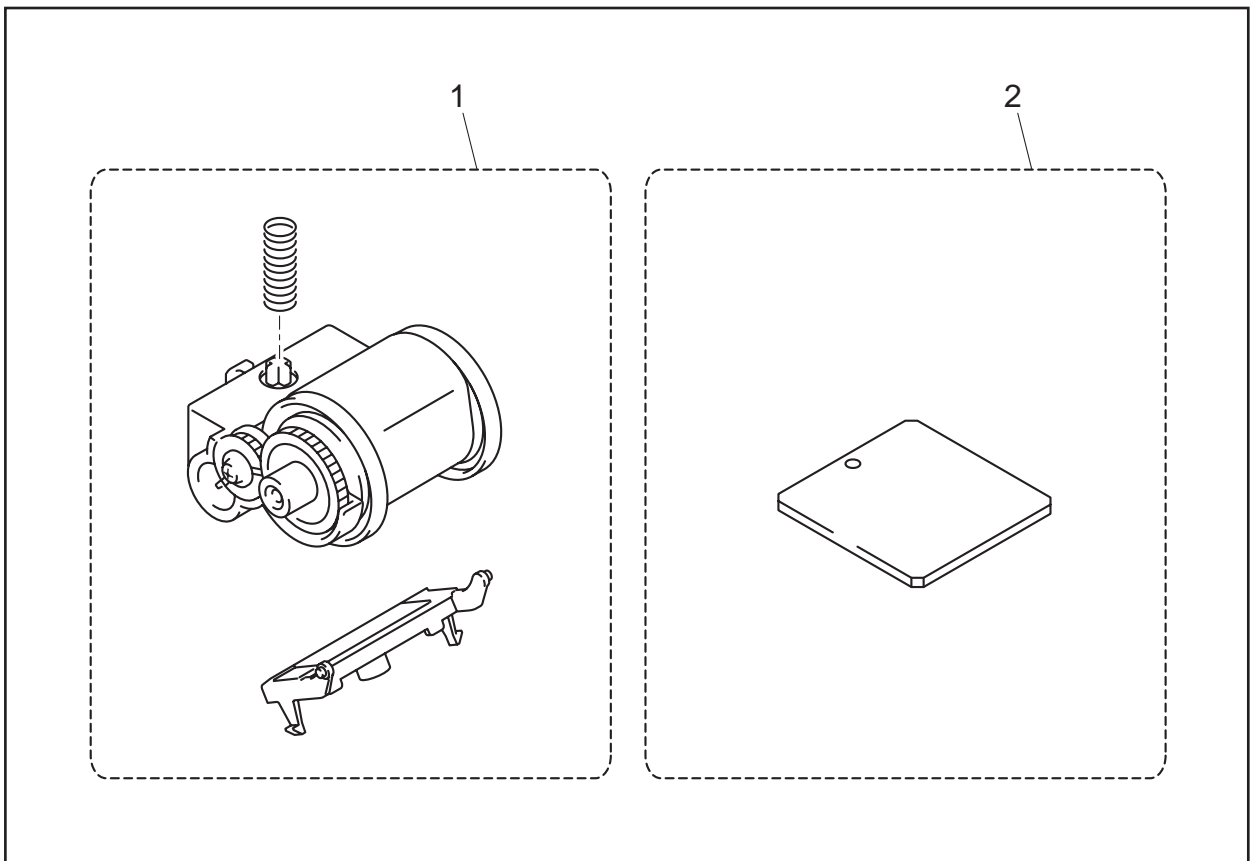
MODEL HL-2030/2040/2070N 84U-Z81/83/82-940

11. PACKING MATERIALS



MODEL HL-2030/2040/2070N 84U-Z81/Z83/Z82-930

12. MAINTENANCE PARTS



MODEL HL-2030/2040/2070N 84U-Z81/Z83/Z82-940