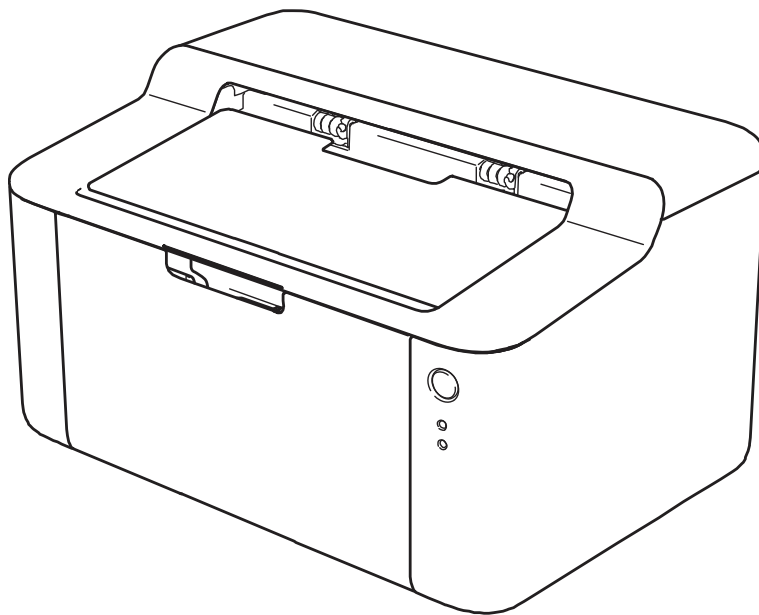




Laser Printer **PARTS REFERENCE LIST**

MODEL:HL-1110/1111/1112/1118



Read this list thoroughly before maintenance work.

Keep this list in a convenient place for quick and easy reference at all times.

NOTE FOR USING THIS PARTS REFERENCE LIST

1. In the case of ordering parts, it is necessary to mention the following items:

- (1) Code
- (2) Q'ty
- (3) Description

<Example>

	(1)	(2)	(3)			
REFNo.	CODE	Q'TY	DESCRIPTION	MODEL	SPEC	REMARKS

2. Design-changed parts:

If any of the parts is changed, one of the following symbols is indicated in the REMARK column.

CHG (chg): The part is changed for a new one.

ADD (add): The part is newly added.

DEL (del): The part is deleted.

Symbol in capital letters indicates the latest parts change information in the page.

3. Parts change will be informed by the Parts change information.

4. Parts are subject to change in design without prior notice.

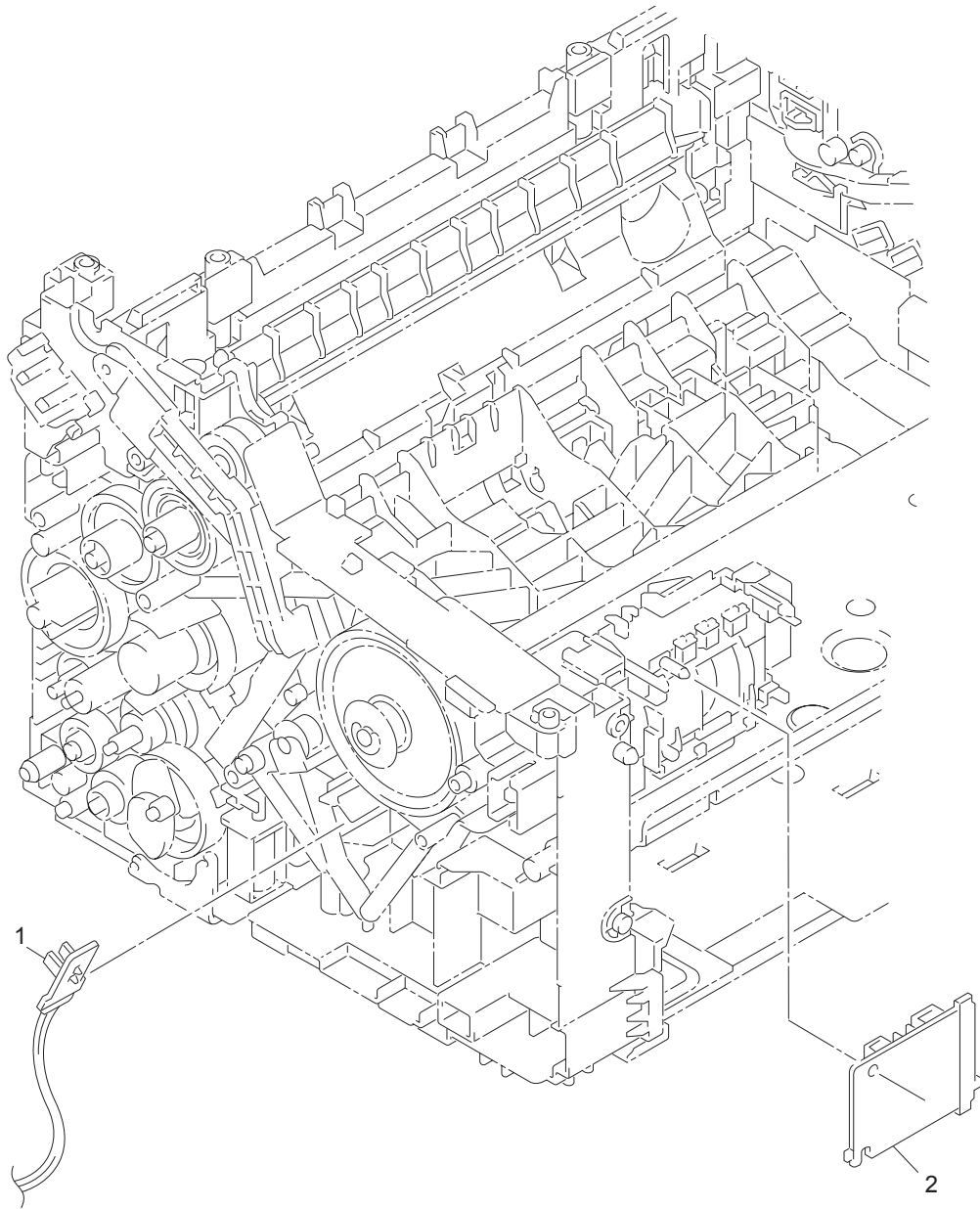
COUNTRIES & AREAS

ARG ----- ARGENTINA	MENA -----
ARL/NZ ----- AUSTRALIA & NEW ZEALAND	MIDDLE EAST AND NORTH AFRICA
BRA ----- BRAZIL	MEX ----- MEXICO
CAN ----- CANADA	MYS ----- MALAYSIA
CEE ----- CEE GENERAL	PER ----- PERU
CHL ----- CHILE	PND ----- PAN-NORDIC
CHN ----- CHINA	(NORWAY/FINLAND/DENMARK/SWEDEN)
FRA/BEL/NLD -----	RUS ----- RUSSIA
FRANCE/BELGIUM/NETHERLANDS	SWI ----- SWITZERLAND
GER ----- GERMANY	TUR ----- TURKEY
IBR ----- IBERIA (SPAIN & PORTUGAL)	TWN ----- TAIWAN
IDN ----- INDONESIA	UAE ----- UNITED ARAB EMIRATES
IND ----- INDIA	UK ----- UNITED KINGDOM
ISR ----- ISRAEL	VNM ----- VIETNAM
ITA ----- ITALY	
KOR ----- KOREA	

CONTENTS

1.	<u>FRAME L & DRIVE UNIT</u>	1
2.	<u>PAPER FEEDER</u>	3
3.	<u>FRAME</u>	5
4.	<u>LASER UNIT</u>	7
5.	<u>FUSER UNIT</u>	9
6.	<u>COVERS & LABELS</u>	11
7.	<u>PCB</u>	13
8.	<u>OPTION</u>	15
9.	<u>ACCESSORIES</u>	17
10.	<u>PACKING MATERIALS</u>	19

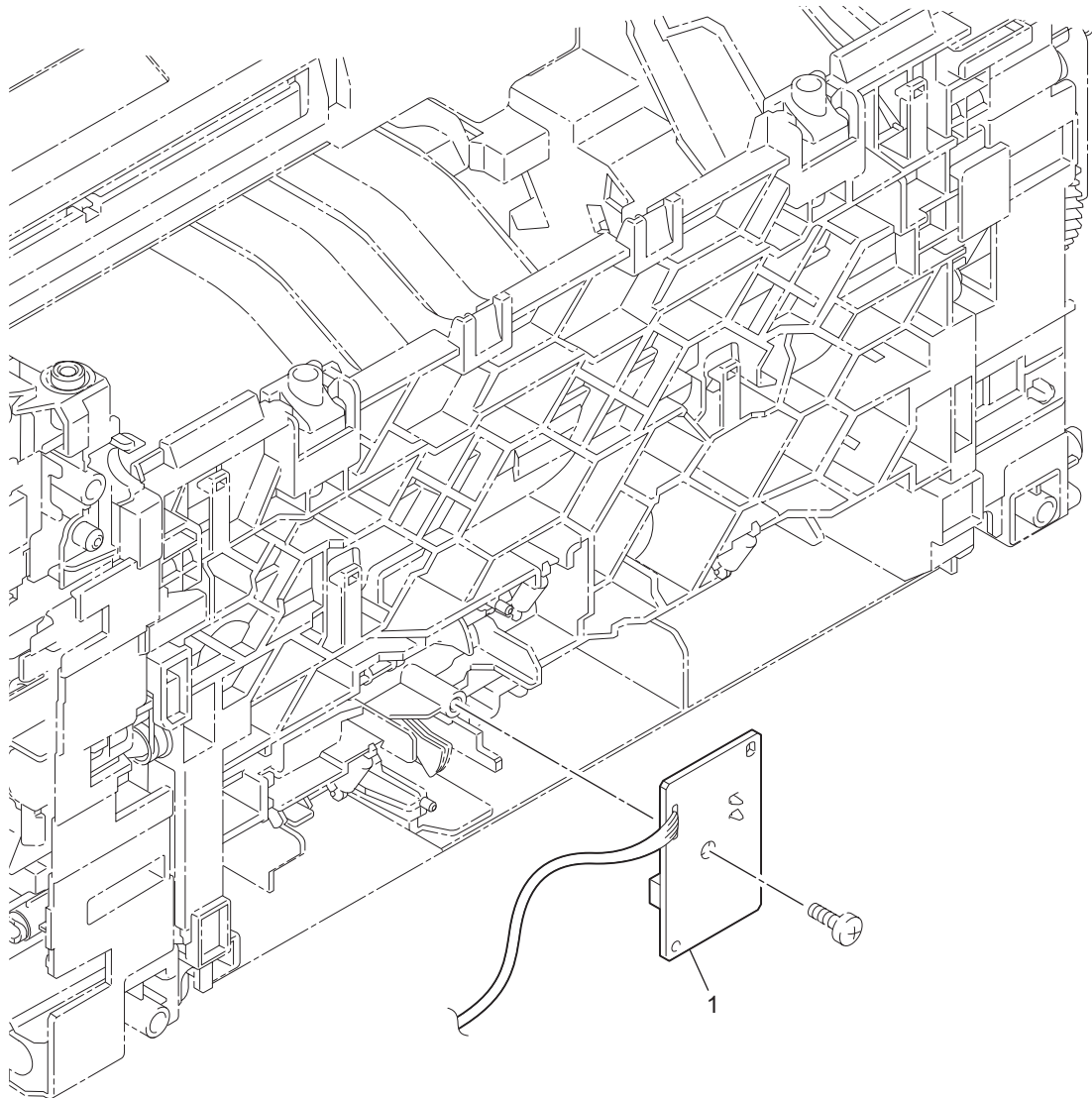
1. FRAME L & DRIVE UNIT



1. FRAME L & DRIVE UNIT

REF No.	CODE	Q'T Y	DESCRIPTION	MODEL	SPEC	REMARKS
1	LV1004001	1	NEW TONER SENSOR PCB ASSY			
2	LV0997001	1	MOTOR ENCODER PCB ASSY			

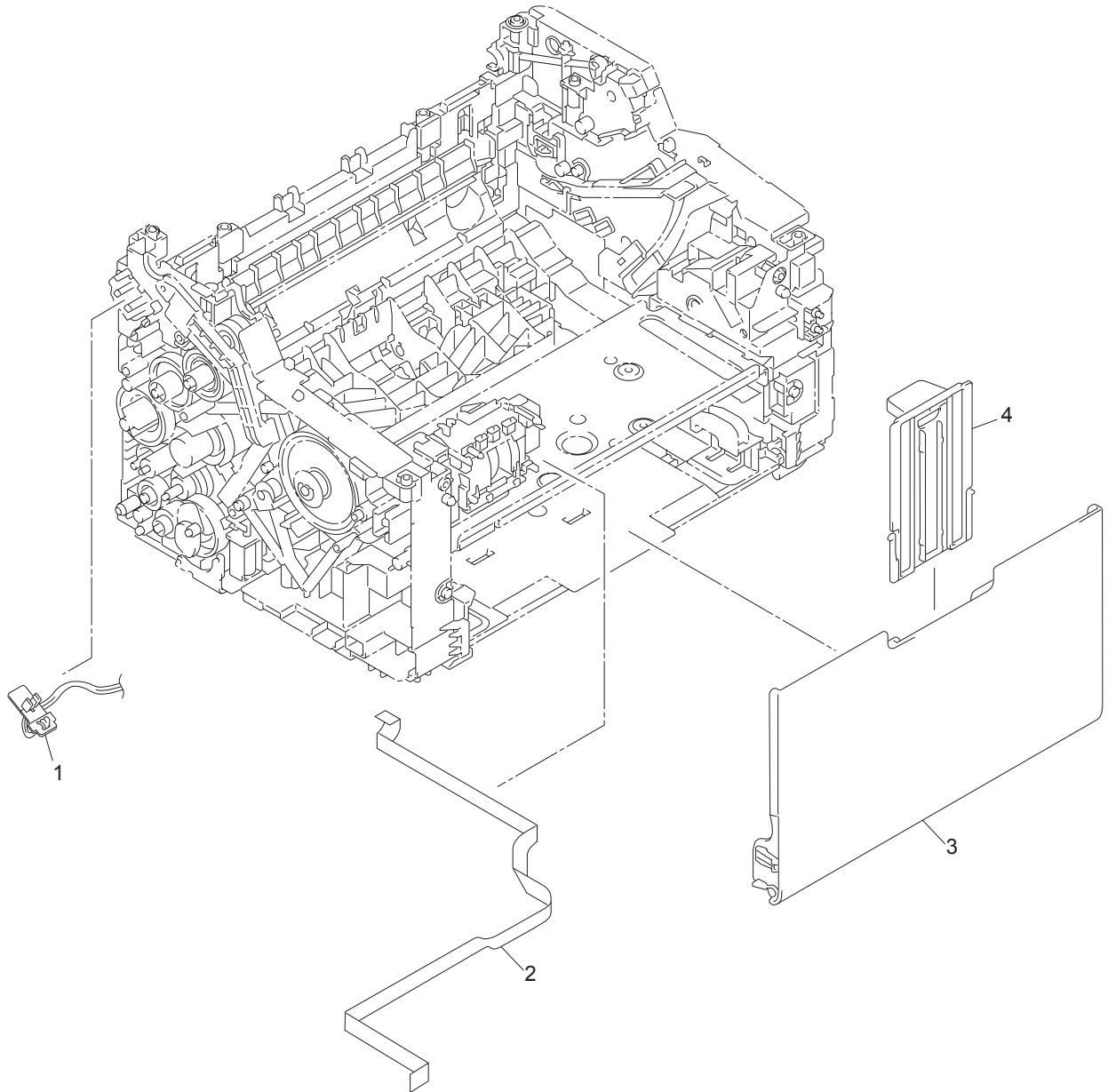
2. PAPER FEEDER



2. PAPER FEEDER

REF No.	CODE	Q'T Y	DESCRIPTION	MODEL	SPEC	REMARKS
1	LV1002001	1	PAPER FEED/PAPER PRINTING POSITION SENSOR PCB ASSY			

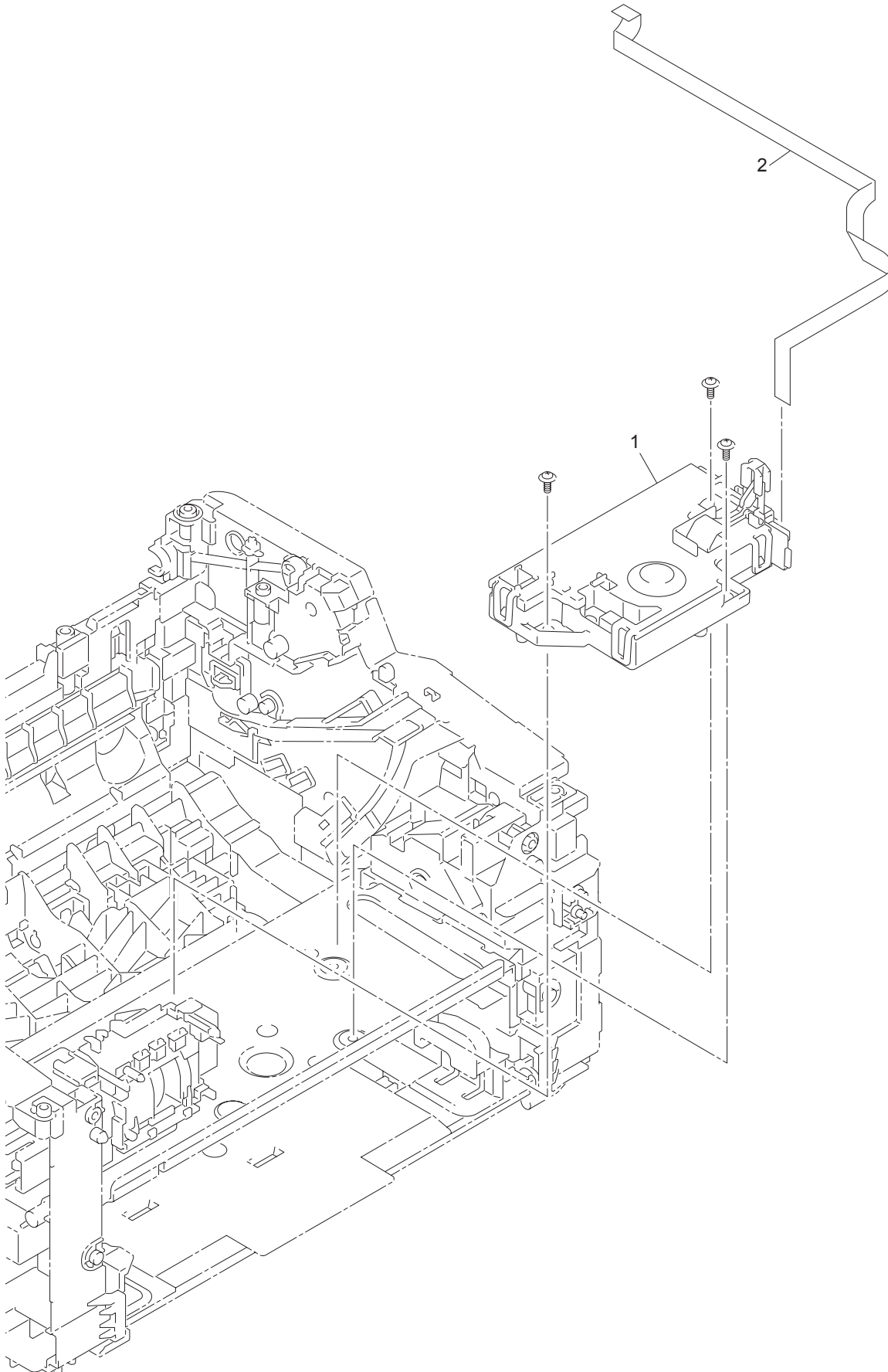
3. FRAME



3. FRAME

REF No.	CODE	QTY	DESCRIPTION	MODEL	SPEC	REMARKS
1	LV0996001	1	EJECT SENSOR PCB ASSY			
2	LV1003001	1	MOTOR ENCODER PCB FLAT CABLE			
3	LY8325001	1	TRAY COVER ASSY	HL-1110	FOR TWN/IDN/ARG/KOR/ARL/NZ/ MYS/UAE/MENA	
3	LY8768001	1	TRAY COVER ASSY	HL-1110	FOR GER/UK/SWI/ITA/ISR/FRA/BEL/ NLD/PND/IBR	
3	LY8383001	1	TRAY COVER ASSY	HL-1110E		
3	LY8382001	1	TRAY COVER ASSY	HL-1110R		
3	LY8381001	1	TRAY COVER ASSY	HL-1111		
3	LY8378001	1	TRAY COVER ASSY	HL-1112	FOR ARG/CHL/BRA/MEX/PER	
3	LY8769001	1	TRAY COVER ASSY	HL-1112	FOR CAN/GER/UK/ITA/FRA/BEL/NLD/	
3	LY8380001	1	TRAY COVER ASSY	HL-1112E		
3	LY8379001	1	TRAY COVER ASSY	HL-1112R		
3	LY8304001	1	TRAY COVER ASSY	HL-1118		
4	LY8120001	1	PAPER REAR GUIDE			

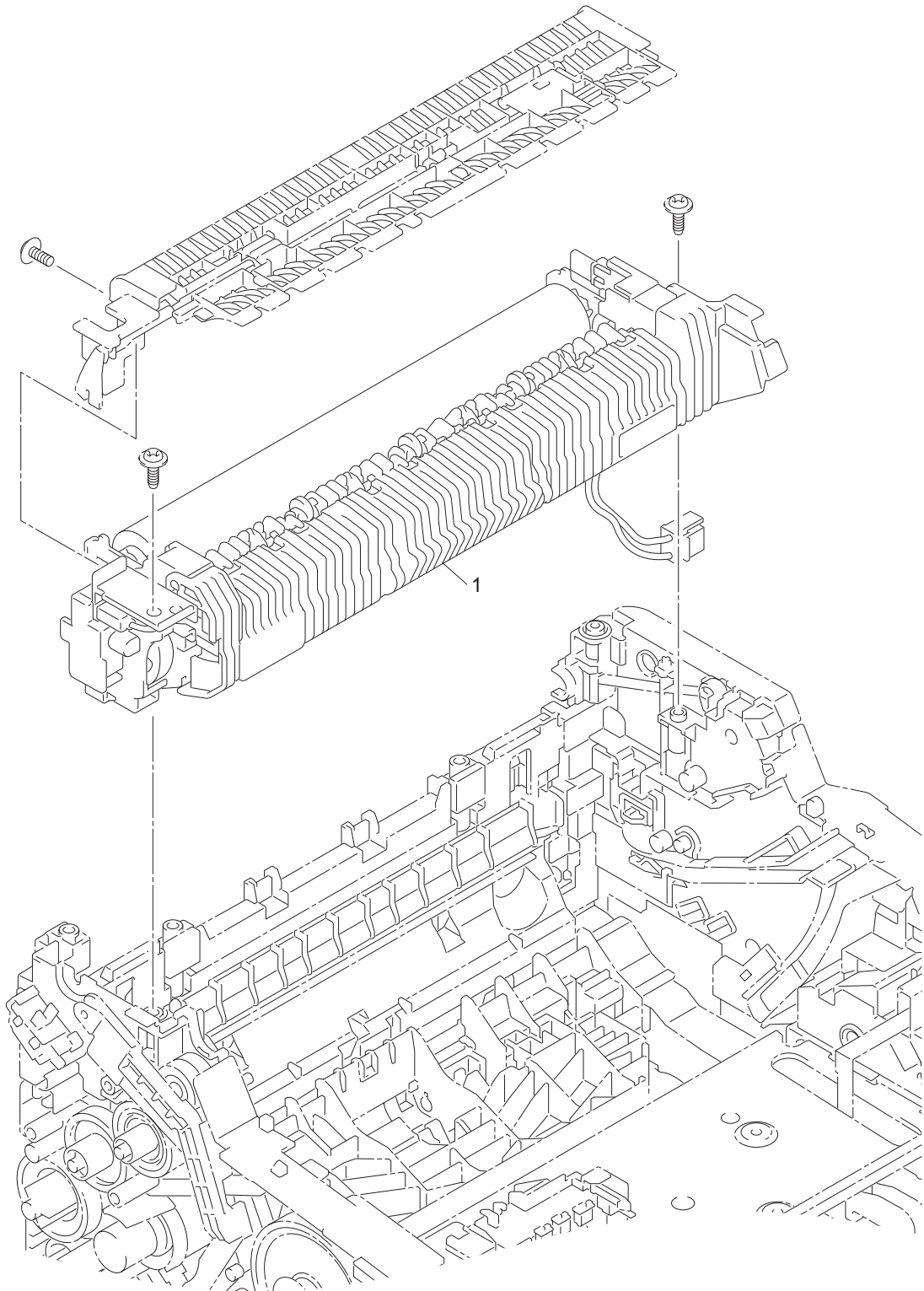
4. LASER UNIT



4. LASER UNIT

REF No.	CODE	QTY	DESCRIPTION	MODEL	SPEC	REMARKS
1	LJA440001	1	LASER UNIT (SP)			CHG
2	LV1011001	1	LASER UNIT FLAT CABLE			

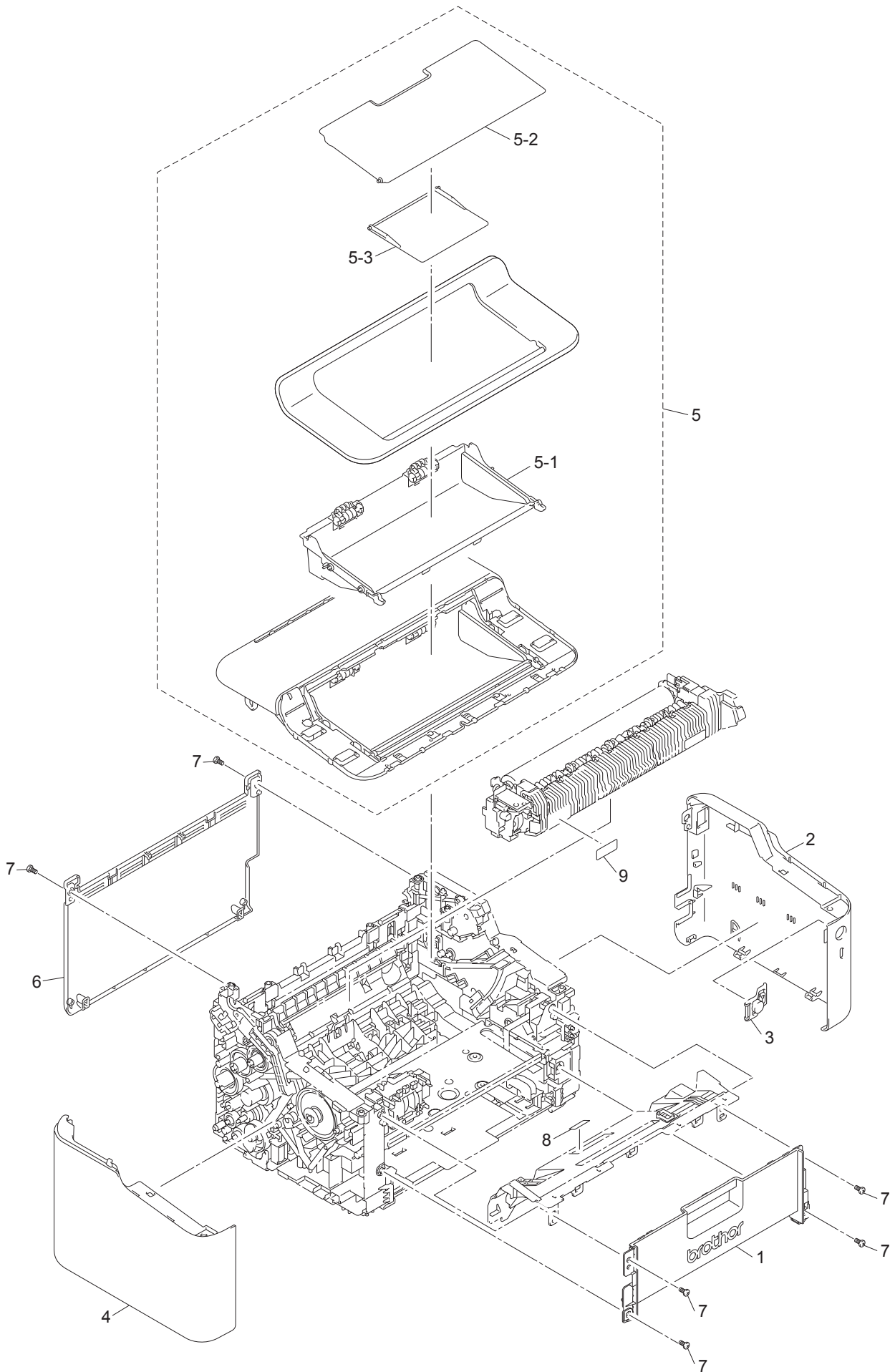
5. FUSER UNIT



5. FUSER UNIT

REF No.	CODE	QTY	DESCRIPTION	MODEL	SPEC	REMARKS
1	LJA483001	1	FUSER UNIT 230V (SP)			CHG
1	LJA485001	1	FUSER UNIT 115V (SP)			CHG

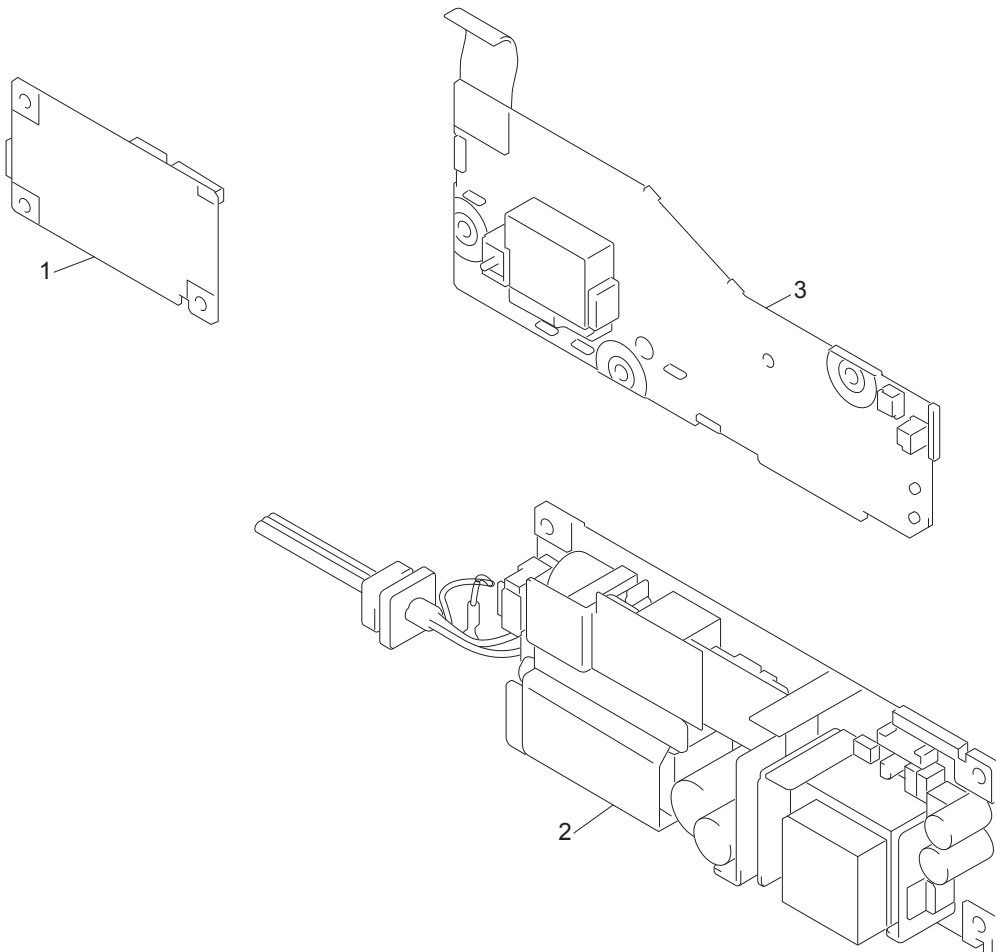
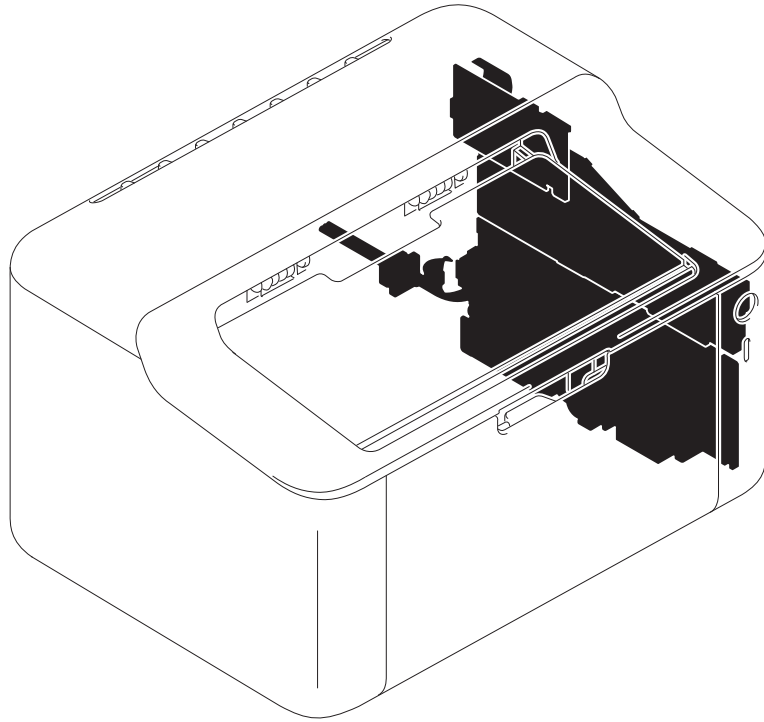
6. COVERS & LABELS



6. COVERS & LABELS

REF No.	CODE	Q'T Y	DESCRIPTION	MODEL	SPEC	REMARKS
1	LY8028001	1	FRONT COVER	HL-1118/1110/ 1110R/1110E/ 1111		
1	LY8028002	1	FRONT COVER	HL-1112/1112R/ 1112E		
2	LY8031001	1	SIDE COVER R	HL-1118/1110/ 1110R/1110E/ 1111		
2	LY8031002	1	SIDE COVER R	HL-1112/1112R/ 1112E		
3	LY8032001	1	SWITCH KEY	HL-1118/1110/ 1110R/1110E/ 1111		
3	LY8032002	1	SWITCH KEY	HL-1112/1112R/ 1112E		
4	LY8029001	1	SIDE COVER L	HL-1118/1110/ 1110R/1110E/ 1111		
4	LY8029002	1	SIDE COVER L	HL-1112/1112R/ 1112E		
5	LY8011001	1	TOP COVER ASSY	HL-1118/1110/ 1110R/1110E/ 1111		
5	LY8011002	1	TOP COVER ASSY	HL-1112/1112R/ 1112E		
5-1	LY8303001	1	PROCESS COVER ASSY			
5-2	LY8018001	1	PAPER STOPPER			
5-3	LY8174001	1	PAPER STOPPER 2			
6	LY8034001	1	BACK COVER	HL-1118/1110/ 1110R/1110E/ 1111		
6	LY8034002	1	BACK COVER	HL-1112/1112R/ 1112E		
7	LU5693001	6	TAPTITE BIND B M4X12			
8	LU7320001	1	CAUTION LABEL SPRAY 13X50			
9	LY8178001	1	LABEL H CAUTION 13X30			

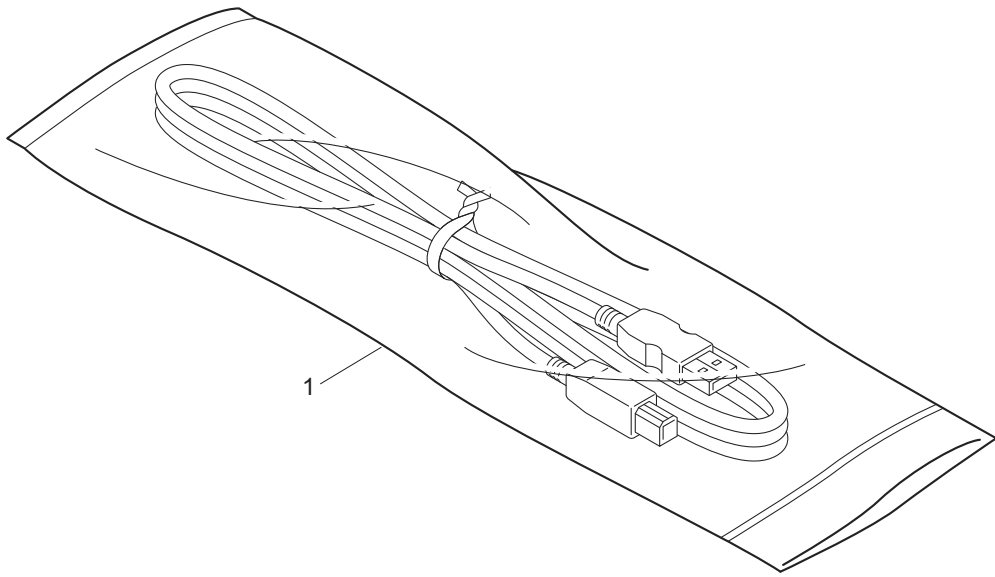
7. PCB



7. PCB

REF No.	CODE	QTY	DESCRIPTION	MODEL	SPEC	REMARKS
1	LV1043001	1	MAIN PCB ASSY			
2	LV0994001	1	LOW VOLTAGE POWER SUPPLY PCB UNIT 230V		FOR CHN	
2	LV1468001	1	LOW VOLTAGE POWER SUPPLY PCB UNIT 115V		FOR CAN	
2	LV1088001	1	LOW VOLTAGE POWER SUPPLY PCB UNIT 230V		FOR GER/ITA/NM/TUR/IDN/ FRA/BEL/NLD/PND/CEE/IBR	chg
2	LV1088001	1	LOW VOLTAGE POWER SUPPLY PCB UNIT 230V		FOR ITA/TUR/FRA/BEL/NLD/CEE	chg
2	LV1135001	1	LOW VOLTAGE POWER SUPPLY PCB UNIT 230V		FOR IND	
2	LV1083001	1	LOW VOLTAGE POWER SUPPLY PCB UNIT 230V		FOR UK/MYS	chg
2	LV1083001	1	LOW VOLTAGE POWER SUPPLY PCB UNIT 230V		FOR UK	chg
2	LV1131001	1	LOW VOLTAGE POWER SUPPLY PCB UNIT 230V		FOR SWI	chg
2	LV1366001	1	LOW VOLTAGE POWER SUPPLY PCB UNIT 230V		FOR ISR	chg
2	LV1097001	1	LOW VOLTAGE POWER SUPPLY PCB UNIT 115V		FOR TWN	
2	LV1134001	1	LOW VOLTAGE POWER SUPPLY PCB UNIT 230V		FOR KOR	
2	LV1133001	1	LOW VOLTAGE POWER SUPPLY PCB UNIT 230V		FOR ARL/NZ	chg
2	LV1124001	1	LOW VOLTAGE POWER SUPPLY PCB UNIT 230V		FOR UAE	chg
2	LV1136001	1	LOW VOLTAGE POWER SUPPLY PCB UNIT 230V		FOR RUS/MENA	chg
2	LV1128001	1	LOW VOLTAGE POWER SUPPLY PCB UNIT 230V		FOR ARG	
2	LV1129001	1	LOW VOLTAGE POWER SUPPLY PCB UNIT 230V		FOR CHL	chg
2	LV1509001	1	LOW VOLTAGE POWER SUPPLY PCB UNIT 115V		FOR BRA	CHG
2	LV1017001	1	LOW VOLTAGE POWER SUPPLY PCB UNIT 115V		FOR MEX	
2	LV1130001	1	LOW VOLTAGE POWER SUPPLY PCB UNIT 230V		FOR PER	chg
3	LV0995001	1	HIGH VOLTAGE POWER SUPPLY PCB ASSY		FOR CHN	
3	LV1040001	1	HIGH VOLTAGE POWER SUPPLY PCB ASSY		EXCEPT FOR CHN	

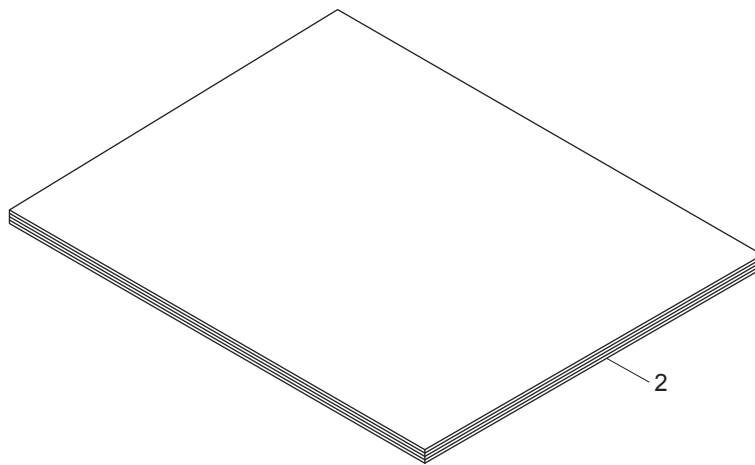
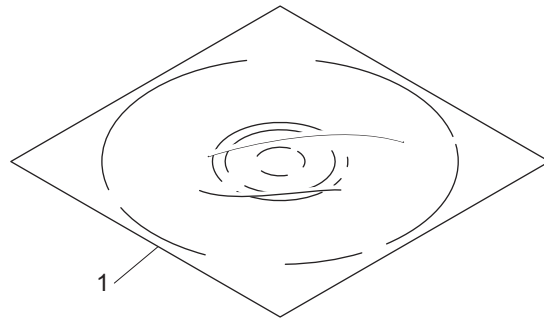
8. OPTION



8. OPTION

REF No.	CODE	Q'T Y	DESCRIPTION	MODEL	SPEC	REMARKS
1	LT2401001	1	USB CABLE 2.0			

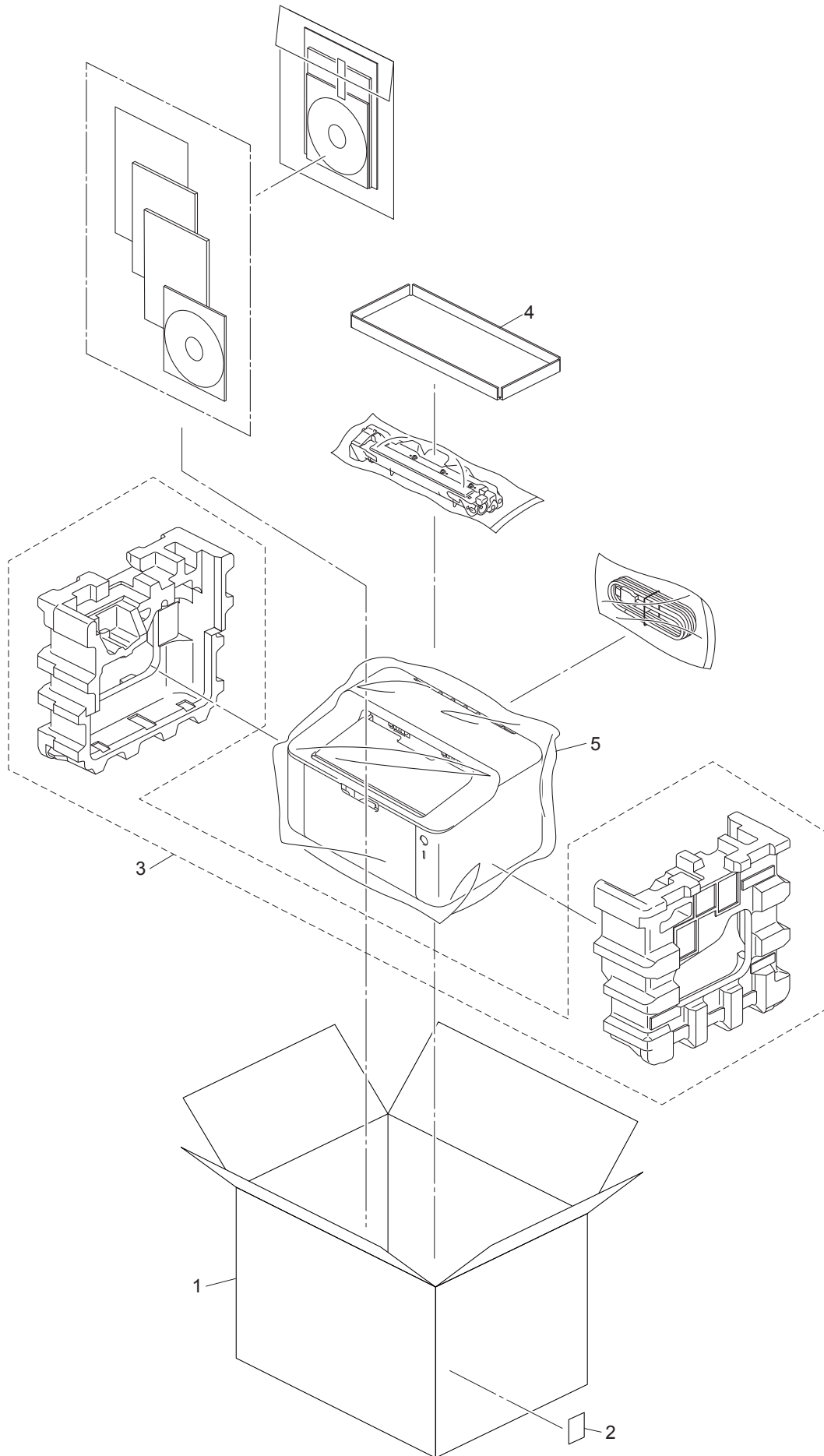
9. ACCESSORIES



9. ACCESSORIES

REF No.	CODE	QTY	DESCRIPTION	MODEL	SPEC	REMARKS
1	LY8581001	1	CD ASSY		FOR CHN	
1	LU9810001	1	CD ASSY		FOR CAN	
1	LY8794001	1	CD ASSY		FOR VNM/TUR/IDN/IND/MYS/ARL/NZ	chg
1	LY8578001	1	CD ASSY		FOR GER/UK/SWI/ITA/ISR/FRA/BEL/ NLD/PND/IBR	
1	LY8583001	1	CD ASSY		FOR TWN/KOR	
1	LY8586001	1	CD ASSY		FOR UAE/MENA	
1	LY8577001	1	CD ASSY		FOR ARG/CHL/BRA/MEX/PER	
1	LY8579001	1	CD ASSY		FOR RUS/CEE	
2	LJA303001	1	SETUP GUIDE (CHINESE/ENGLISH)		FOR CHN	CHG
2	LY8567001	1	SETUP GUIDE (ENGLISH/FRENCH/GERMAN/ DUTCH)		FOR CAN/GER/UK/SWI/ISR/FRA/BEL/NLD	
2	LY8569001	1	SETUP GUIDE (NORWEGIAN/SWEDISH/DANISH/ FINNISH)		FOR PND	
2	LJA311001	1	SETUP GUIDE (ENGLISH/TURKISH/VIETNAMESE)		FOR VNM/TUR	CHG
2	LJA309001	1	SETUP GUIDE (ENGLISH/THAI/INDONESIAN)		FOR IDN/IND/ARL/NZ/MYS	CHG
2	LY8575001	1	SETUP GUIDE (ENGLISH/CHINESE/KOREAN/ ARABIC)		FOR TWN/KOR/UAE/MENA	
2	LJA304001	1	SETUP GUIDE (SPANISH/PORTUGUESE/ITALIAN)		FOR SWI/ITA/ARG/CHL/BRA/MEX/ PER/IBR	CHG
2	LY8917001	1	SETUP GUIDE (RUSSIAN/KAZAKH/UKRAINIAN)		FOR RUS	chg
2	LY8571001	1	SETUP GUIDE (ENGLISH/CZECH/HUNGARIAN/ POLISH)		FOR CEE	
2	LY8572001	1	SETUP GUIDE (BULGARIAN/ROMANIAN/SLOVAK/ SLOVENE)		FOR CEE	
2	LY8573001	1	SETUP GUIDE (CROATIAN/SERBIAN/ MACEDONIAN)		FOR CEE	

10. PACKING MATERIALS



10. PACKING MATERIALS

REF No.	CODE	QTY	DESCRIPTION	MODEL	SPEC	REMARKS
1	LY8463001	1	CARTON	HL-1110	FOR ARG	
1	LJA099001	1	CARTON	HL-1110	FOR GER/UK/SWI/ITA/ISR/FRA/ BEL/NLD/PND/IBR	CHG
1	LJA105001	1	CARTON	HL-1110	FOR RUS	CHG
1	LY8486001	1	CARTON	HL-1110	FOR ARL/NZ	
1	LJA111001	1	CARTON	HL-1110	FOR CEE	CHG
1	LJA102001	1	CARTON	HL-1112	FOR GER/UK/ITA/FRA/BEL/NLD/ PND	CHG
1	LY8454001	1	CARTON	HL-1112	FOR ARG/CHL/BRA/MEX/PER	
1	LJA108001	1	CARTON	HL-1112	FOR RUS	CHG
1	LJA114001	1	CARTON	HL-1112	FOR CEE	CHG
1	LY8460001	1	CARTON	HL-1112	FOR CAN	
1	LY8498001	1	CARTON		FOR CHN	
1	LY8649001	1	CARTON		FOR VNM	
1	LY8646001	1	CARTON		FOR TUR	
1	LY8489001	1	CARTON		FOR IND	
1	LY8483001	1	CARTON		FOR TWN/IDN/KOR/MYS/UAE/MENA	
2	LY8596001	1	CHINA ENERGY LABEL	HL-1118	FOR CHN	
3	LY8002001	1	POLYSTYRENE PAD ASSY			
4	LY8182001	1	OPTION CARTON			