

Section Contents

Title	Page
Introduction - - - - -	5-1
PL 1.1 Main Assembly - - - - -	5-2
PL 2.1 Control Panel Assembly - - - - -	5-4
PL 3.1 Printer Assembly - - - - -	5-6
PL 4.1 Base Assembly - - - - -	5-8
Part No. Index - - - - -	5-10

Introduction

Overview

The Parts Lists section provides exploded view illustrations of all spared subsystem components and a listing of the corresponding part numbers. The illustrations show the relationships between parts.

Organization of this Section

The following elements make up the Parts List section:

Parts Lists (PL)

Each item number in the part numbers listing corresponds to an item number in the illustration. All the parts in a given subsystem of the machine will be located in the same illustration or in a series of associated illustrations. The parts which are not spared are indicated by - - - in the Part column.

Exploded View Illustrations

An item that is called out on an illustration has a corresponding listing within this section.

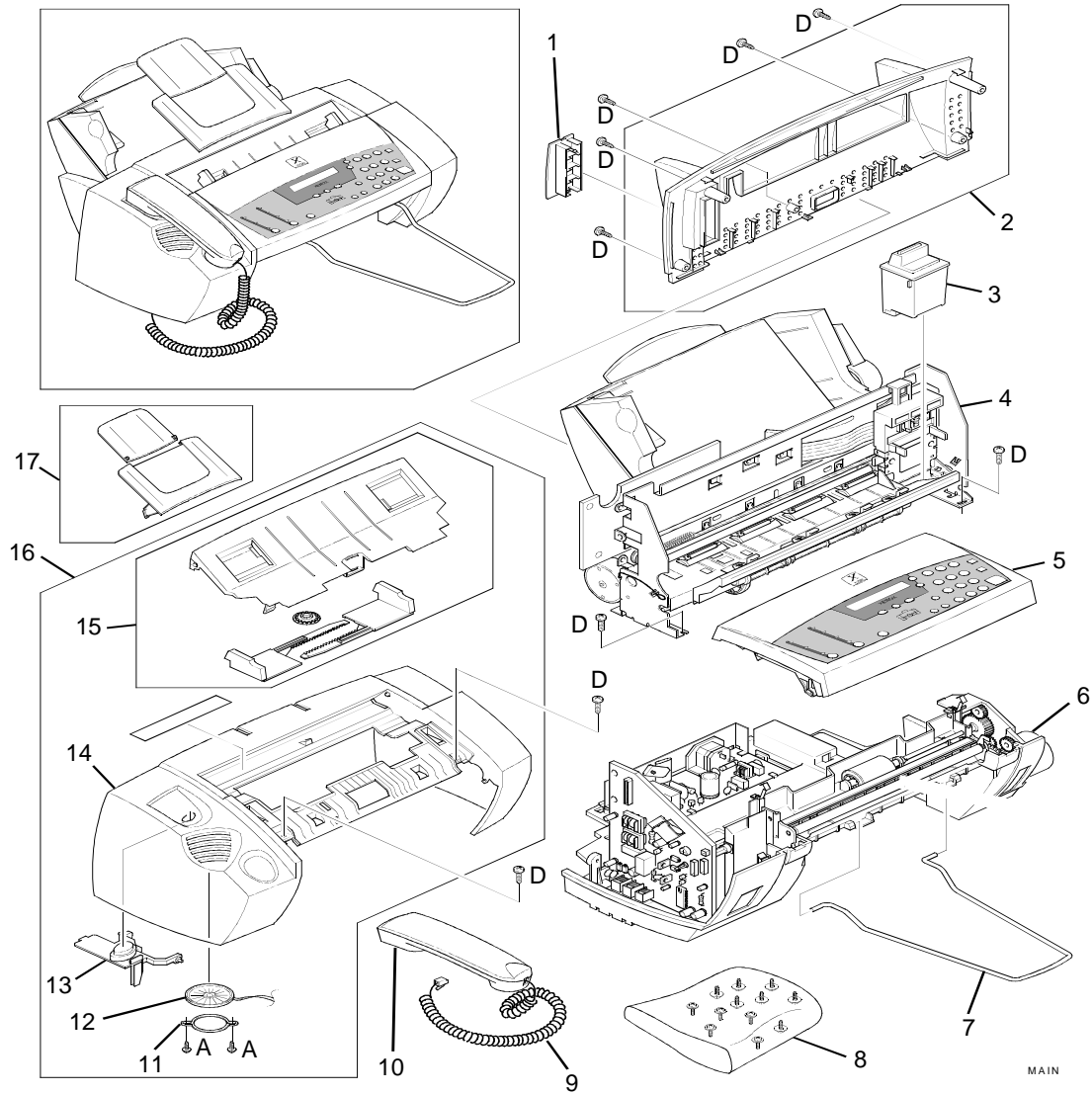
Components are given item numbers that correspond to the part number listings.

Part Number Index

This index lists all the spared parts in the system in numerical order. Each number is followed by a reference to the parts list on which the part may be found.

PL 1.1 Main Assembly

2{1, D
16{11,12, 13, 14, 15, A

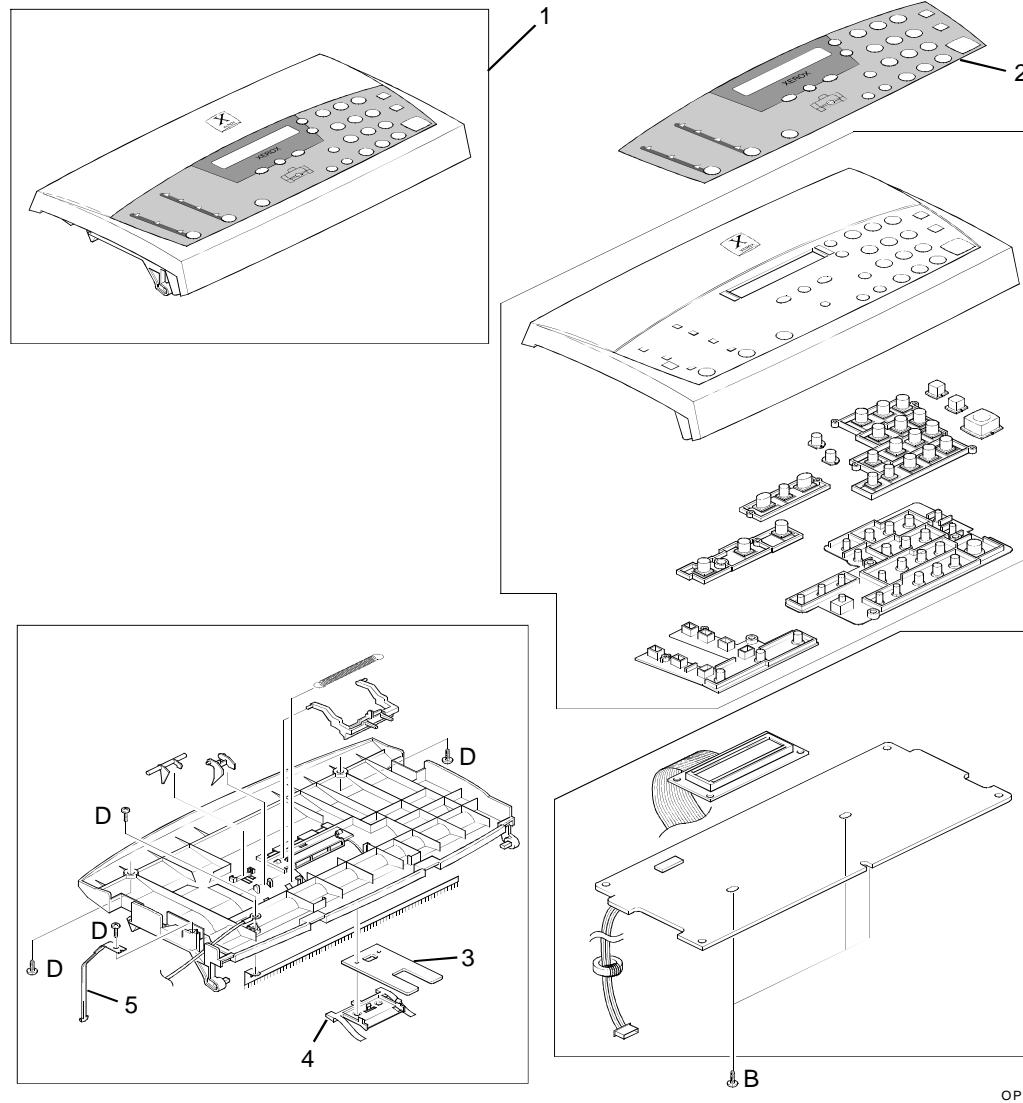


PL 1.1 Main Assembly

Item	Part	Description
1.	002N01680	Parallel Cable Cover
2.	002N01679	Rear Cover
3.	108R00336	Ink Cartridge
4.	---	Printer Assembly
5.	---	Control Panel Assembly (Reference Only) (See PL 2.1.1 and PL 2.1.2)
6.	---	Base Assembly
7.	050N00316	Document Exit Tray
8.	600N01622	Hardware Kit
9.	117K32600	Telephone Handset Cable
10.	018N00165	Telephone Handset
11.	---	Speaker Bracket
12.	130K64890	Speaker
13.	---	On-Hook Actuator
14.	---	Top Cover
15.	---	Document Guide Assembly
16.	002N01678	Top Cover Assembly
17.	050N00317	Document Input Tray Assembly

PL 2.1 Control Panel Assembly

1{3, 4, 5, B, D



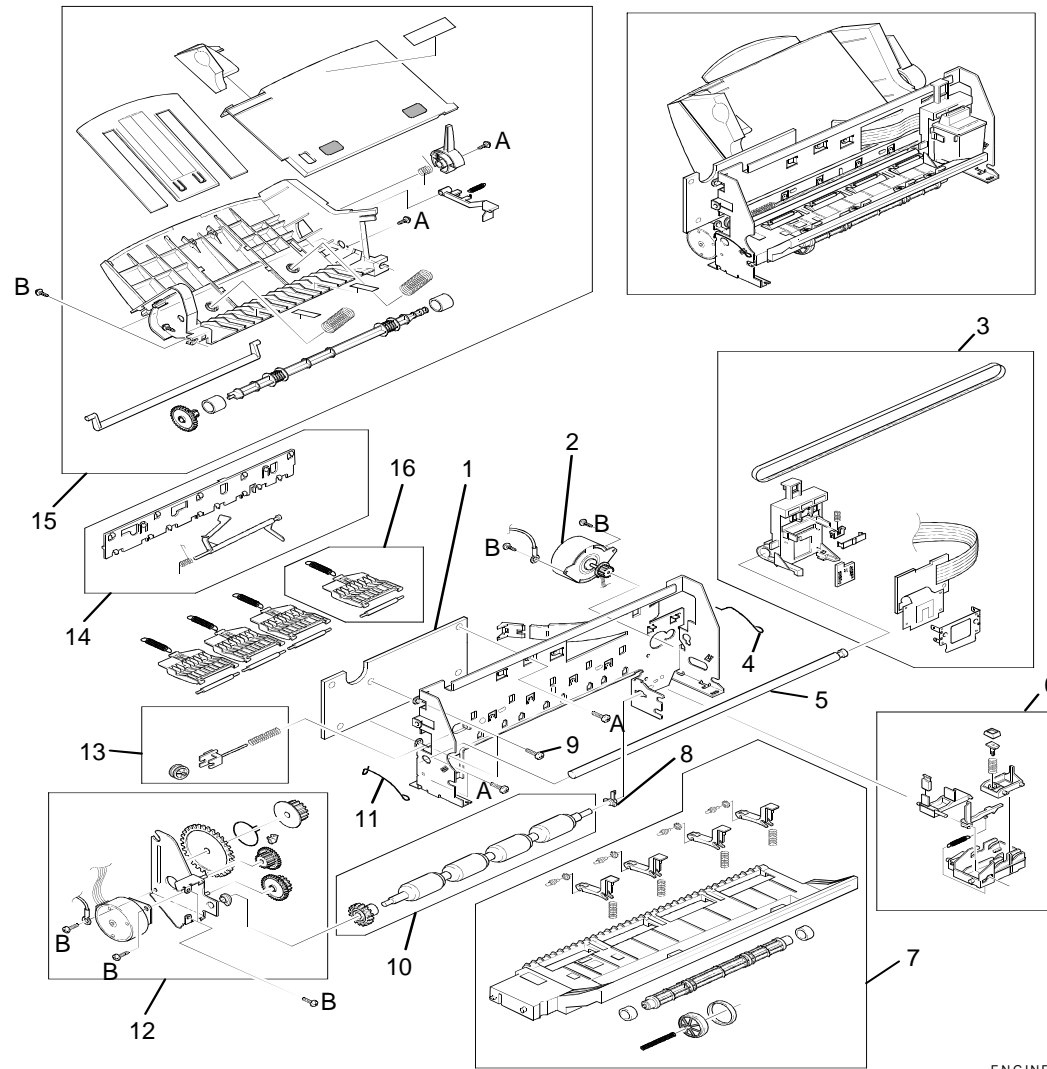
PL 2.1 Control Panel Assembly

Item	Part	Description
1.	101N01239	Control Panel Assembly (See <i>Note</i>)
2.	892E27110	Control Panel Overlay, English
	892E27120	Control Panel Overlay, French
	892E27130	Control Panel Overlay, Italian
	892E27140	Control Panel Overlay, German
	892E27150	Control Panel Overlay, Spanish
	892E27160	Control Panel Overlay, Dutch
	892E27170	Control Panel Overlay, Portuguese
3.	019E43530	ADF Retard Pad
4.	019E43540	ADF Retard Pad Clamp
5.	830E29120	Control Panel Stop

Note: When ordering item 1 order item 2.

PL 3.1 Printer Assembly

12{B
15{B, A

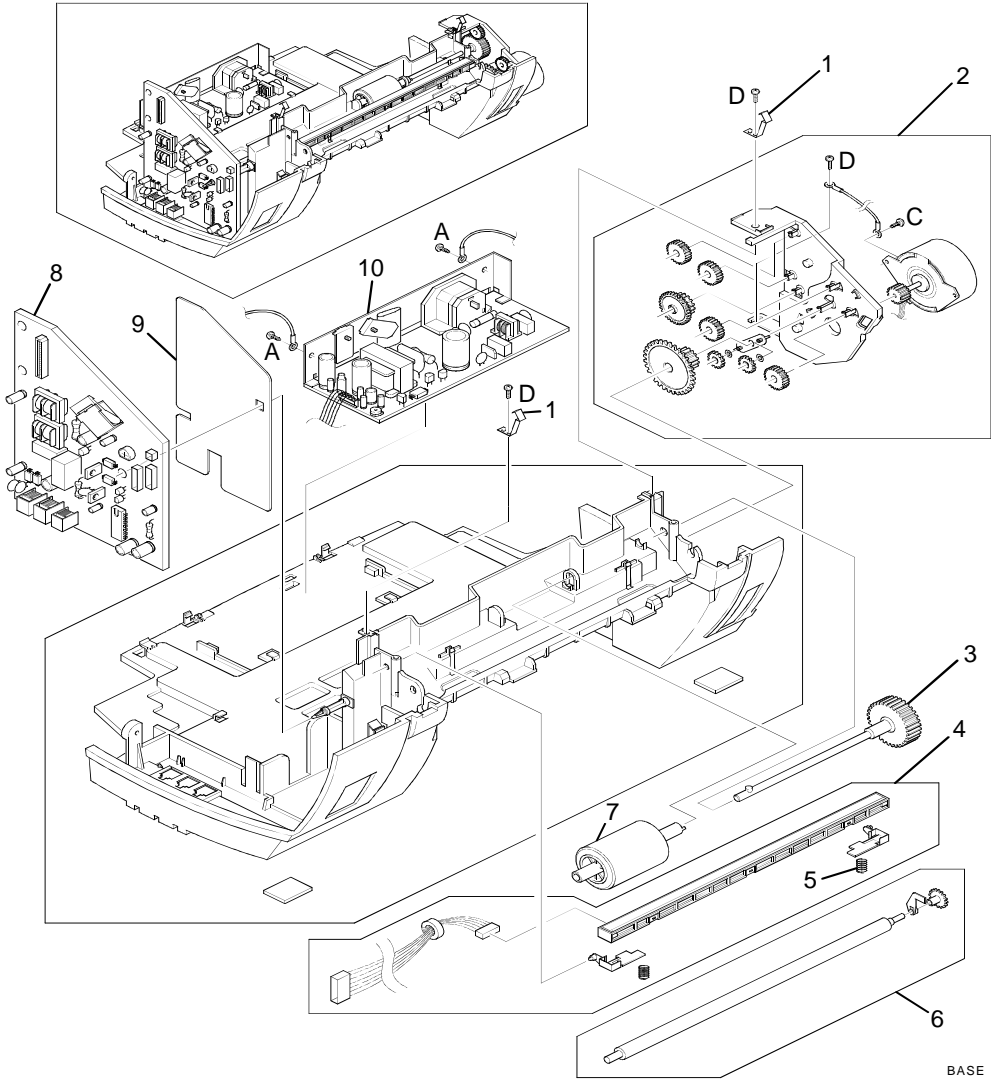


PL 3.1 Printer Assembly

Item	Part	Description
1.	140N05561	Main PWB Assembly
2.	127N01149	Carriage Motor Assembly
3.	041N00205	Carriage Assembly
4.	009N01130	Right Carriage Shaft Spring
5.	006N00977	Carriage Shaft
6.	001K72620	Carriage Home Position Assembly
7.	001N00319	Paper Exit Drive Roller Assembly
8.	013N00459	Right Paper Feed Roller Bearing
9.	- - -	Machine Screw
10.	022N01142	Paper Feed Roller Assembly
11.	809E23920	Left Carriage Shaft Spring
12.	030N00463	Paper Feed Motor Assembly
13.	020K09190	Carriage Belt Tension Assembly
14.	022N01143	Paper Feed Idler Bracket
15.	022N01145	Automatic Paper Feeder
16.	022N01144	Paper Feed Idler Roller Assembly (1 of 4)

PL 4.1 Base Assembly

2{D, C
4{5



PL 4.1 Base Assembly

Item	Part	Description
1.	830E28190	Scan Cover Latch Spring
2.	127N01148	Scan Drive Motor Assembly
3.	006N00976	ADF Drive Shaft Assembly
4.	109N00480	CIS Assembly
5.	809E24360	CIS Spring
6.	022K64740	White Scan Drive Roller Assembly
7.	022N01141	ADF Roller
8.	140N05560	LIU PWB (XE See Note)
	140N05572	LIU PWB (PL)
	140N05573	LIU PWB (CS)
	140N05574	LIU PWB (HU)
	140N05575	LIU PWB (DMO See Note)
	140N05577	LIU PWB (US)
	140N05609	LIU PWB (ZA)
9.	- - -	LIU Insulator
10.	105N01329	Low Voltage Power Supply (180-270 VAC) (XE)
	105N01334	Low Voltage Power Supply (110 VAC) (US)
	105N01335	Low Voltage Power Supply (110-220VAC) (DMO)
11.	117S26608	Telephone Line Cable, IE (Not shown)
	117S26638	Telephone Line Cable, PT, ES (Not shown)
	117S26658	Telephone Line Cable, FI (Not shown)
	117S26662	Telephone Line Cable, GR (Not shown)
	117S26663	Telephone Line Cable, BE (Not shown)
	117S26664	Telephone Line Cable, AT (Not shown)
	117S26665	Telephone Line Cable, CH (Not shown)
	117S26672	Telephone Line Cable, SE (Not shown)
	117S26679	Telephone Line Cable, DK (Not shown)
	117S26680	Telephone Line Cable, NO (Not shown)
	117S26682	Telephone Line Cable, DE (Not shown)
	117S26684	Telephone Line Cable, N (Not shown)L
	117S33580	Telephone Line Cable, GB (Not shown)
12.	152S05125	AC Power Cord (AT, BE, BG, CH, CS, DE, DK, ES, FI, FR, GR, HU, IE, IT, NL, NO, PL, PT, SE, RO) (Not shown)
	152S05126	AC Power Cord (UK) (Not shown)

Note: All countries not specifically shown beside part number description.

Part No. Index

Part Number	PL	Part Number	PL
001N00319	3.1	117S26684	4.1
001K72620	3.1	117S33580	4.1
002N01678	1.1	127N01148	4.1
002N01679	1.1	127N01149	3.1
002N01680	1.1	130K64890	1.1
006N00976	4.1	140N05560	4.1
006N00977	3.1	140N05561	3.1
009N01130	3.1	140N05572	4.1
013N00459	3.1	140N05573	4.1
018N00165	1.1	140N05574	4.1
019E43530	2.1	140N05575	4.1
019E43540	2.1	140N05577	4.1
020K09190	3.1	140N05609	4.1
022K64740	1.1	152S05125	4.1
022N01141	4.1	152S05126	4.1
022N01142	3.1	600N01622	1.1
022N01143	3.1	809E23920	3.1
022N01144	3.1	809E24360	4.1
022N01145	3.1	830E28190	4.1
022K64740	4.1	830E29120	2.1
030N00463	3.1	892E27110	2.1
041N00205	3.1	892E27120	2.1
050N00316	1.1	892E27130	2.1
050N00317	1.1	892E27140	2.1
101N01239	2.1	892E27150	2.1
105N01329	4.1	892E27160	2.1
105N01334	4.1	892E27170	2.1
105N01335	4.1		
108R00336	1.1		
109N00480	4.1		
117K32600	1.1		
117S26608	4.1		
117S26638	4.1		
117S26658	4.1		
117S26662	4.1		
117S26663	4.1		
117S26664	4.1		
117S26665	4.1		
117S26672	4.1		
117S26679	4.1		
117S26680	4.1		
117S26682	4.1		

Common Hardware Kit

Description	Qty.
A. Tapping Screw 3 x 6	10
B. Tapping Screw 3 x 5	10
C. Tapping Screw 3 x 10	10
D. Tapping Screw 3 x 8	10