



*Ecosys FS-8000C
Color Laser Printer*

PARTS LIST

Published in July 16, 2001
2BM70770
842BM120

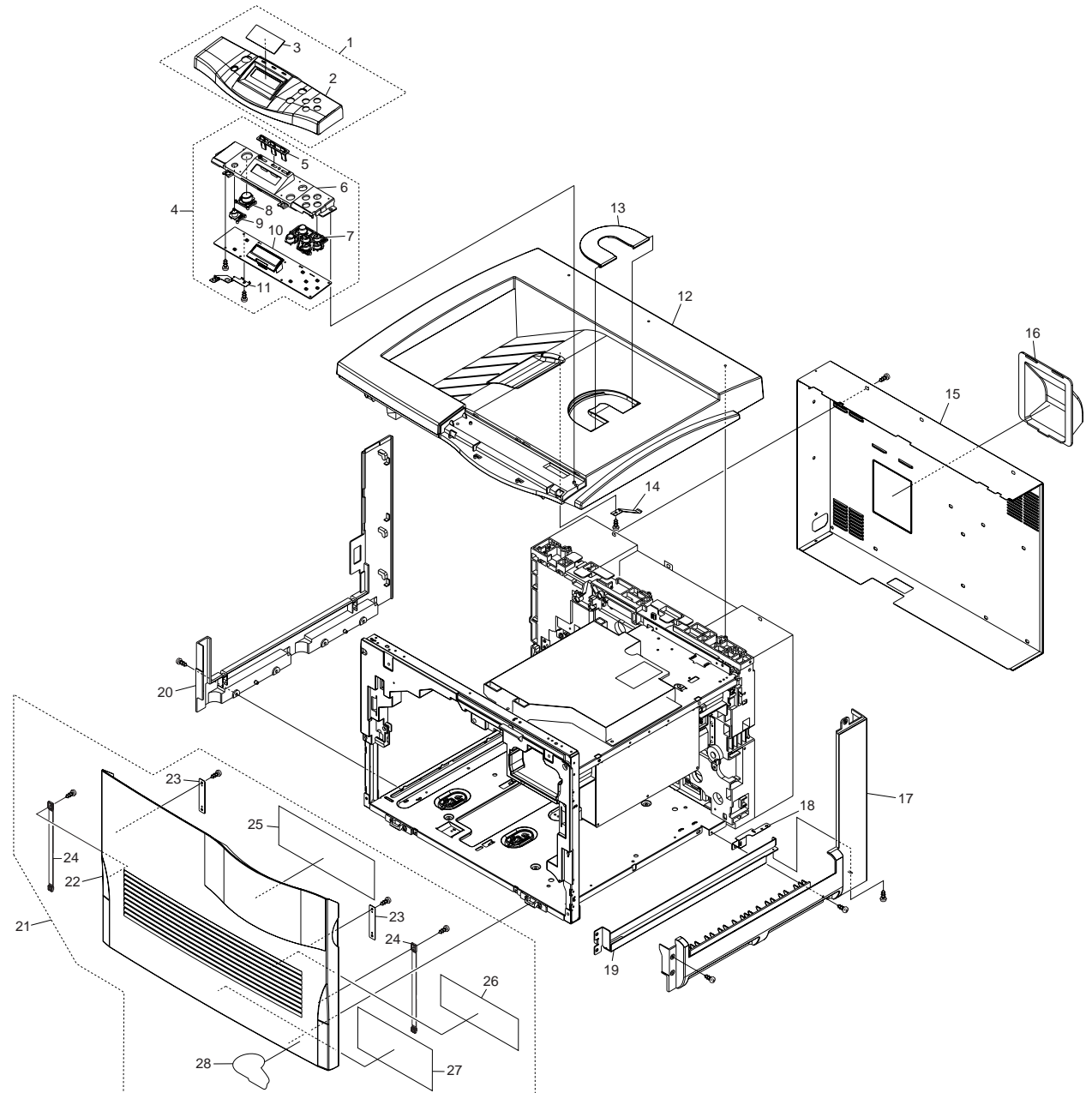
Contents

1.	Exterior Covers (01-)	page 3
2.	Upper Frame Unit (02-)	page 5
3.	Drive Unit (03-)	page 11
4.	Controller Box (04-)	page 17
5.	Paper Feed Unit (05-)	page 19
6.	Fuser Unit (06-)	page 23
7.	Drum Unit (07-)	page 27
8.	Developer Units	page 30
9.	Face-down Unit (10-)	page 32
10.	MP Tray (11-)	page 36
11.	Primary Transfer Unit (17-)	page 39
12.	Electrical Parts (18-)	page 43

Notes on Ordering

- Parts with + are component parts or sub-assemblies of the assembly appearing above them.
- Parts with ++ are component parts of the assembly marked with + immediately above them.
- SP means service parts that are available for ordering.

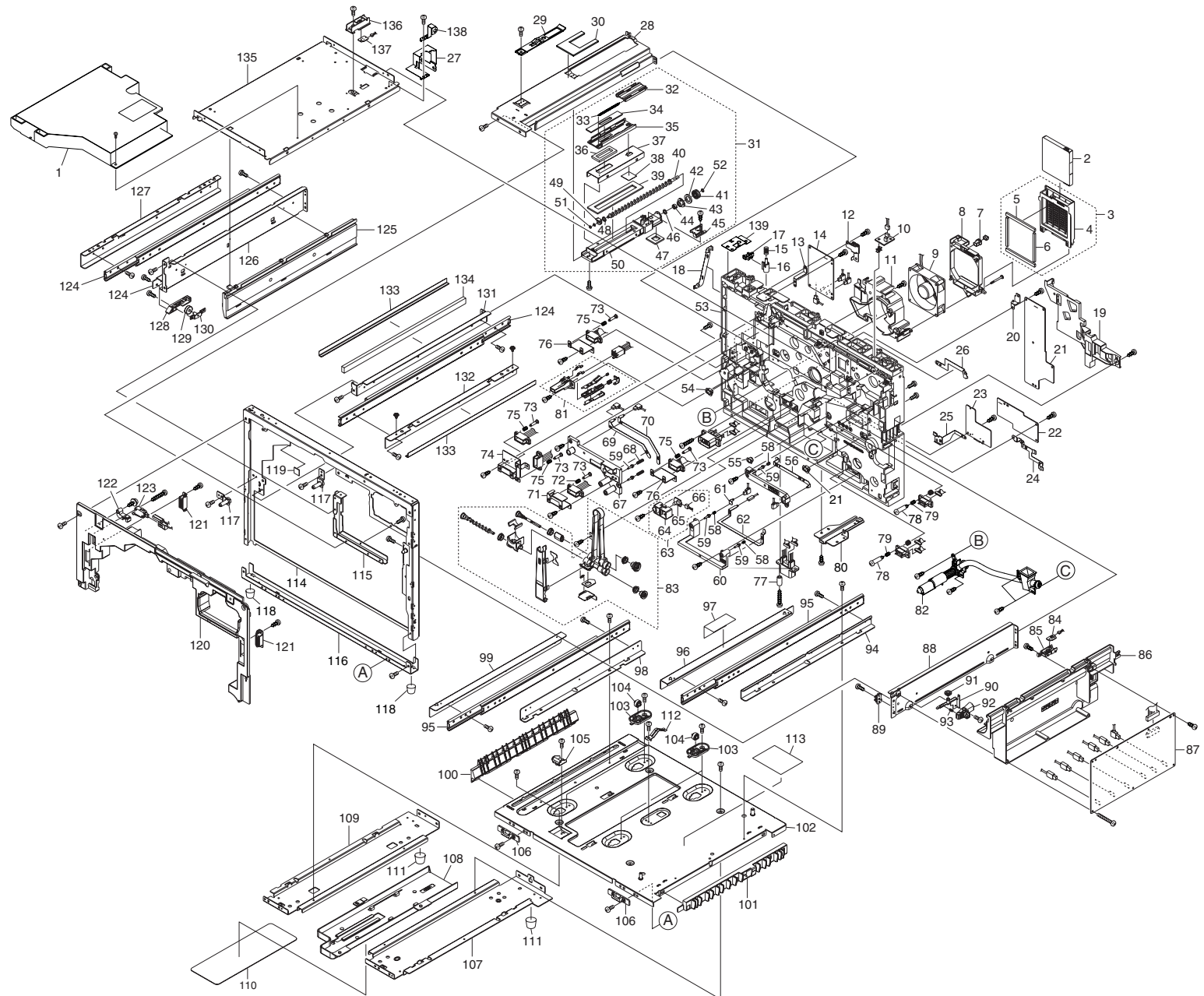
1. Exterior Covers (01-)



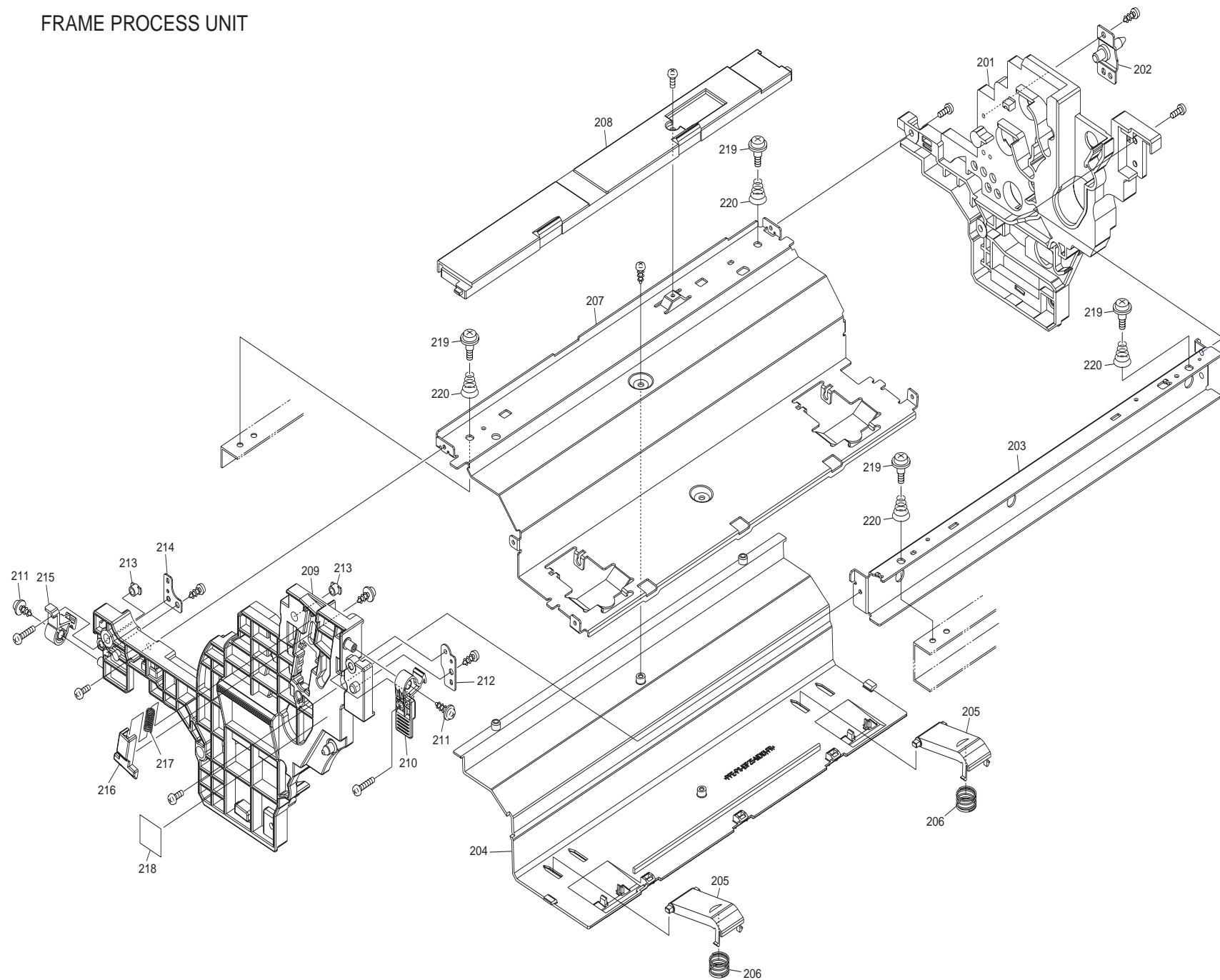
List 1 - Exterior Covers (01-)

Ref. No.	Part Code	Description	Applicable Model	SP	120V	230V
01-001	2BM68010	PANEL ASSY ENGLISH	Excl.KMFR/KMIT	X	1	1
01-001	2BM68020	PANEL ASSY FRENCH	KMFR only	X	-	1
01-001	2BM68030	PANEL ASSY ITALIAN	KMIT only	X	-	1
01-002	+ 2BM04120	PANEL KEY ENGLISH	Excl.KMFR/KMIT	-	1	1
01-002	+ 2BM04130	PANEL KEY FRENCH	KMFR only	-	-	1
01-002	+ 2BM04140	PANEL KEY ITALIAN	KMIT only	-	-	1
01-003	+ 2BM04220	PANEL LCD		-	1	1
01-004	2BM68050	KEY TOP ASSY		X	1	1
01-005	+ 2BM04080	LENS LED		-	1	1
01-006	+ 2BM04040	HOLDER PANEL PWB		-	1	1
01-007	+ 2BM04050	KEY TOP1		-	1	1
01-008	+ 2BM04060	KEY TOP2		-	1	1
01-009	+ 2BM04070	KEY TOP3		-	1	1
01-010	+ 2BM01080	P.W.BOARD KP-805 ASSY FRONT PANEL		-	1	1
01-011	+ 2BM04300	PLATE EARTH PANEL		-	1	1
01-012	2BM04010	COVER TOP		X	1	1
01-013	2BM04020	STOPPER PAPER		X	1	1
01-014	2BM04030	SP PRESS2 DLP		-	1	1
01-015	2BM04180	COVER REAR		X	1	1
01-016	2BM04270	PROTECTOR OZONE		X	1	1
01-017	2BM04150	COVER RIGHT		X	1	1
01-018	2BM04290	PLATE EARTH RC		-	1	1
01-019	2BM04160	SUPPORT COVER ASSY		-	1	1
01-020	2BM04170	COVER LEFT		X	1	1
01-021	2BM00020	COVER FRONT ASSY	FS-8000C	X	1	1
01-021	2BM00280	COVER FRONT ASSY N	FS-8000CN	X	1	1
01-022	+ 2BM04090	COVER FRONT	FS-8000C	-	1	1
01-022	+ 2BM04340	COVER FRONT N	FS-8000CN	-	1	1
01-023	+ 2BM04100	PLATE MAGCHATCH		-	2	2
01-024	+ 2BM04280	BAND COVER		X	2	2
01-025	+ 2BM05040	LABEL DIAGRAM D		-	1	1
01-026	+ 2BM05030	LABEL DIAGRAM C		-	1	1
01-027	+ 2BM05020	LABEL DIAGRAM B		-	1	1
01-028	+ 2BM05270	SEAL COLOR SYMBOL		X	1	1

2. Upper Frame Unit (02-)



FRAME PROCESS UNIT



List 2 - Upper Frame Unit (02-)

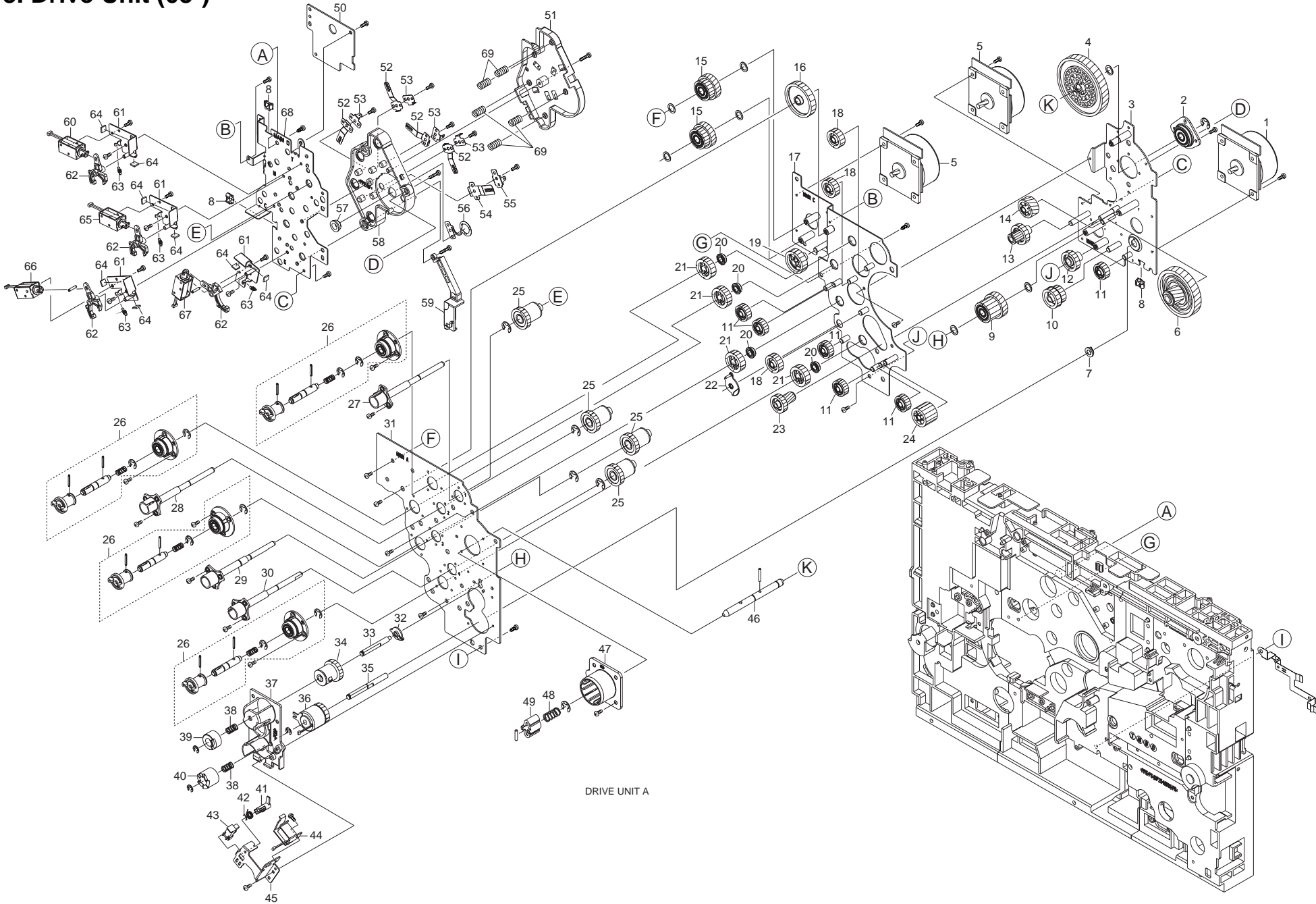
Ref. No.	Part Code	Description	Applicable Model	SP	120V	230V
02-001	5PLPXBEAPKX	LK-800 SCANNER UNIT		X	1	1
02-002	2BM42790	FILTER KIT		X	4	4
02-003	2BM68220	COVER OZONE ASSY		X	1	1
02-004	+ 2BM02470	COVER OZONE		-	1	1
02-005	+ 2BM42050	SEAL OZONE A		-	2	2
02-006	+ 2BM42060	SEAL OZONE B		-	2	2
02-007	2BM02460	LATCH		X	1	1
02-008	2BM02450	HOLDER OF		-	1	1
02-009	2BM42200	FAN MOTOR		X	1	1
02-010	2BM27890	HUMIDITY SENSOR		X	1	1
02-011	2BM23010	DUCT FAN		-	1	1
02-012	2BM42530	PLATE EARTH MAIN B		-	1	1
02-013	2BM02390	PLATE EARTH MAIN		-	1	1
02-014	2BM28240	PWB HV MAIN		X	1	1
02-015	2BM02900	SPRING SW DU		-	1	1
02-016	2BM02910	SWITCH DU		-	1	1
02-017	2BM27240	PT.SENSOR GP1S74P		X	1	1
02-018	2BM42560	PLATE EARTH L		-	1	1
02-019	2BM02480	HOLDER HARNESS		-	1	1
02-020	2BM02400	PLATE EARTH DC		-	1	1
02-021	2BM28250	PWB HV DC		X	1	1
02-022	2BM28260	PWB HV TC		X	1	1
02-023	2BM01200	P.W.BOARD KP-830 ASSY	OPTION RELAY	X	1	1
02-024	2BM02410	PLATE EARTH TC		-	1	1
02-025	2BM02420	PLATE EARTH OP		-	1	1
02-026	2BM42520	PLATE EARTH DRV FUS		-	1	1
02-027	2BM42540	PLATE EARTH DRV TK A		-	1	1
02-028	2BM00150	STAY MIDDLE ASSY		-	1	1
02-029	2BM14120	LOCK SHUTTER D1234		X	1	1
02-030	2BM42600	SEAL FEED TONER		-	1	1
02-031	2BM68090	FEED TONER ASSY		X	1	1
02-032	+ 2BM14240	SHUTTER D1234		-	1	1
02-033	+ 2BM14230	SPRING SHUTTER D1234		-	1	1
02-034	+ 2BM14250	SEAL SHUTTER D1234		-	1	1
02-035	+ 2BM14200	GUIDE SHUTTER D1234		-	1	1
02-036	+ 2BM14260	SEAL GUIDE T D1234		-	1	1
02-037	+ 2BM15940	PLATE FEED TK		-	1	1
02-038	+ 2BM42310	SEAL FEED TK D		-	1	1
02-039	+ 2BM15950	SEAL FEED TK A		-	2	2

Ref. No.	Part Code	Description	Applicable Model	SP	120V	230V
02-040	+ 2BM15930	SCREW FEED TK		-	1	1
02-041	+ 2BM42250	GEAR FEED TK Z23		-	1	1
02-042	+ 2BM42220	BUSH SCREW TK F		-	1	1
02-043	+ 2BM42240	BKT SEAL OIL		-	1	1
02-044	+ 5MMX668RB001	OIL SEAL		-	1	1
02-045	+ 2BM14640	GUIDE SCREW D14		-	1	1
02-046	+ 2BM15960	SEAL FEED TK B		-	1	1
02-047	+ 2BM15970	SEAL FEED TK C		-	2	2
02-048	+ 2BM15960	SEAL FEED TK B		-	1	1
02-049	+ 2BM15920	BUSH FEED TK		-	2	2
02-050	+ 2BM15910	CASE FEED TK		-	2	2
02-051	+ 2BM42280	CUT WASHER		-	1	1
02-052	+ 2BM40060	CUT WASHER		-	1	1
02-053	2BM02070	FRAME REAR		-	1	1
02-054	2BM02440	BUSH PIN OVAL		X	2	2
02-055	2BM02430	BUSH PIN		X	1	1
02-056	2BM02150	PLATE HV IM		-	1	1
02-057	2BM02140	COVER HV IMAGE		-	1	1
02-058	2BM02160	SPRING HV S		-	3	3
02-059	2BM02110	PIN CONTACT HV		-	5	5
02-060	2BM02170	COVER HV FEED		-	1	1
02-061	2BM02190	PLATE HV DC		-	1	1
02-062	2BM02180	PLATE HV TC		-	1	1
02-063	2BM68100	TONER SENSOR ASSY		X	1	1
02-064	+ 2BM18510	BRACKET SENSOR WASTE		-	1	1
02-065	+ 2BM01230	P.W.BOARD KP-849 ASSY	W TONER	-	1	1
02-066	+ 2BM28780	CONN.CORD T.SENSOR ASSY		-	1	1
02-067	2BM02080	COVER HV DRUM		-	1	1
02-068	2BM02120	SPRING HV L		-	2	2
02-069	2BM02090	PLATE HV D1		-	1	1
02-070	2BM02100	PLATE HV D2		-	1	1
02-071	2BM42030	BRACKET CONN DRUM		-	2	2
02-072	2BM42440	SPRING CONN DRUM		-	2	2
02-073	2BM02210	SCREW CONNECTOR		-	10	10
02-074	2BM02200	BRACKET CONN D12		-	1	1
02-075	2BM20430	SPRING CONNECTOR		-	8	8
02-076	2BM02230	BRACKET CONN D34		-	2	2
02-077	5MMM140SZ011	COLLAR SPACER		-	2	2
02-078	2BM42450	STUD SCREW 485		-	4	4
02-079	2BM42010	SPRING CONN FEED		-	4	4
02-080	2BM02490	PLATE ANCHOR A		-	1	1

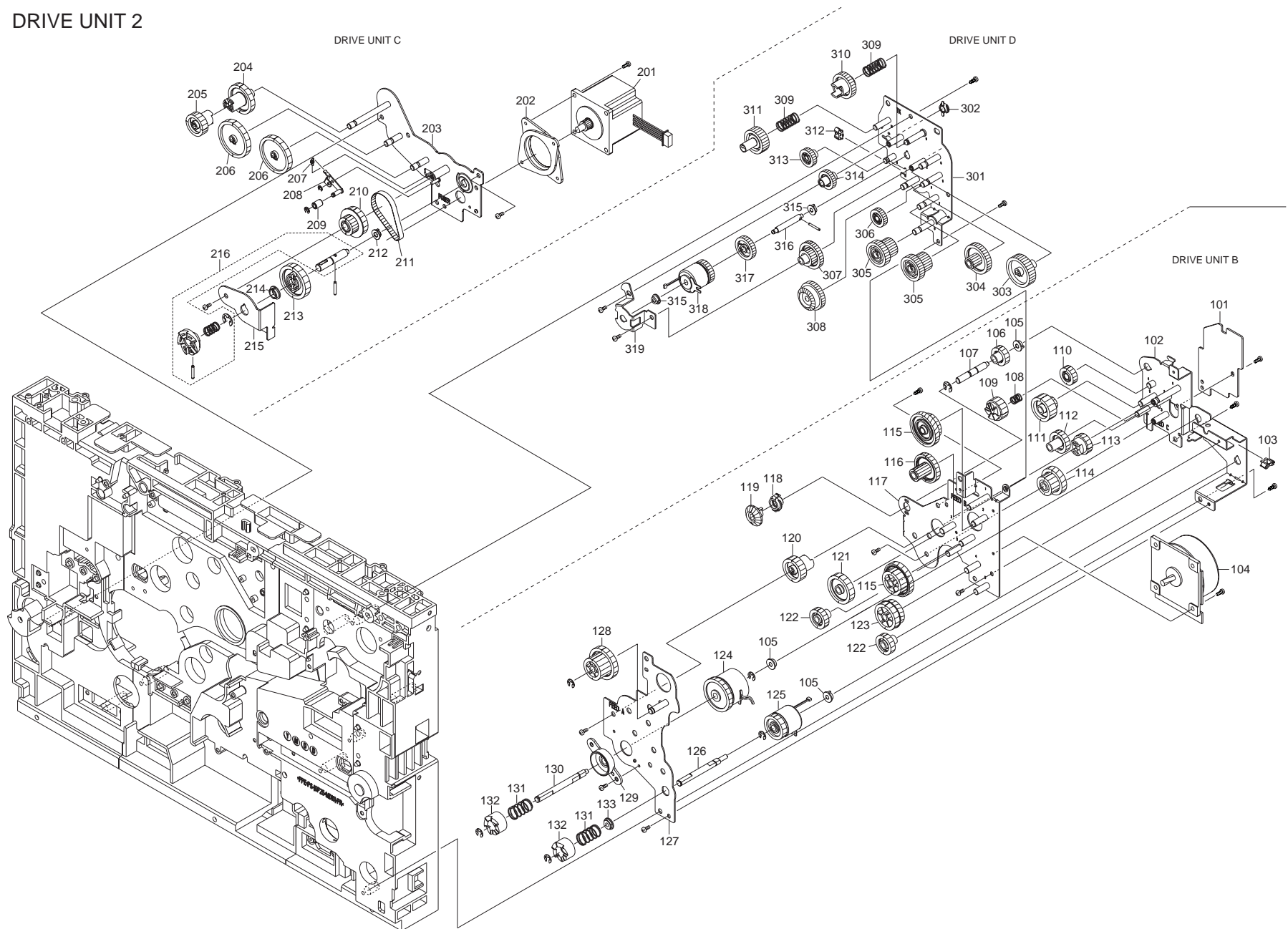
Ref. No.	Part Code	Description	Applicable Model	SP	120V	230V
02-081	2BM68120	HOLDER SW OIL ASSY		X	1	1
02-082	2BM00940	TUBE TONER D4 ASSY		X	1	1
02-083	2BM00950	DUCT WASTE TONER UNIT		X	1	1
02-084	2BM01270	P.W.BOARD KP-896 ASSY	K TONER LOW	X	1	1
02-085	2BM42260	BKT SENSOR LOW D4		-	1	1
02-086	2BM02890	COVER HV DLP		-	1	1
02-087	2BM28270	PWB HV DLP		X	1	1
02-088	2BM02780	RAIL IMAGE R		-	1	1
02-089	2BM42040	STOPPER IMAGE		X	1	1
02-090	2BM02790	BRACKET LOCK IMAGE		-	1	1
02-091	2BM02810	PULLEY IMAGE		X	1	1
02-092	2BM02800	LEVER LOCK IMAGE		X	1	1
02-093	2BM02820	SPRING LOCK IMAGE		-	1	1
02-094	2BM02630	STAY RAIL LOW R A		-	1	1
02-095	2BM02670	SLIDE RAIL LOW		-	2	2
02-096	2BM02640	STAY RAIL LOW R B		-	1	1
02-097	2BM42730	SHIELD REG SENSOR A		-	1	1
02-098	2BM02650	STAY RAIL LOW L A		-	1	1
02-099	2BM02660	STAY RAIL LOW L B		-	1	1
02-100	2BM02570	GUIDE PAPER OUT		-	1	1
02-101	2BM02560	GUIDE PAPER IN		-	1	1
02-102	2BM02510	FRAME BASE		-	1	1
02-103	2BM02530	BASE PULLEY FEED		-	4	4
02-104	2BM02540	PULLEY FEED		X	4	4
02-105	2BM02520	LOCK PIN		-	1	1
02-106	2BM02930	HOLDER FRONT		-	2	2
02-107	2BM02860	STAY BASE R		-	1	1
02-108	2BM02580	DUCT BASE LOW		-	1	1
02-109	2BM02870	STAY BASE L		-	1	1
02-110	2BM42070	SHEET DUCT A		-	1	1
02-111	2BM42290	FOOT R		X	2	2
02-112	2BM02550	PLATE EARTH LOWER		-	1	1
02-113	2BM42740	SHIELD REG SENSOR B		-	1	1
02-114	2BM02010	FRAME FRONT		-	1	1
02-115	2BM02030	STAY RAIL FRONT		-	1	1
02-116	2BM02020	CHANNEL BOTTOM		-	1	1
02-117	2BM02040	PILOT PIN		-	2	2
02-118	2BM42300	FOOT F		X	2	2
02-119	2BM42210	SHEET INNER FRONT		-	1	1
02-120	2BM04310	INNER FRONT COVER		-	1	1
02-121	60804120	MAGNET CATCH		-	2	2

Ref. No.	Part Code	Description	Applicable Model	SP	120V	230V
02-122	2BM02060	LEVER INTER LOCK		-	1	1
02-123	2BM26130	INTERLOCK SWITCH		X	1	1
02-124	2BM02700	SLIDE RAIL PRO		-	2	2
02-125	2BM02710	GUIDE CONTAINER D4		-	1	1
02-126	2BM02680	STAY PRO R ASSY		-	1	1
02-127	2BM02690	STAY RAIL PRO R B		-	1	1
02-128	2BM02730	SUPPORT PULLEY TRANS		-	1	1
02-129	2BM02740	PULLEY IMAGE L		X	1	1
02-130	2BM02720	BKT PULLEY IMAGE		-	1	1
02-131	2BM02750	STAY RAIL PRO L A		-	1	1
02-132	2BM02760	STAY RAIL PRO L B		-	1	1
02-133	2BM42630	SEAL RAIL PRO B		-	2	2
02-134	2BM42620	SEAL STAY PRO A		-	1	1
02-135	2BM02850	PLATE SCANNER BASE		-	1	1
02-136	2BM42270	BKT SENSOR UP D4		-	1	1
02-137	2BM01260	P.W.BOARD KP-895 ASSY	K TONER UP	X	1	1
02-138	2BM42550	PLATE EARTH DRV TK B		-	1	1
02-201	2BM08520	FRAME REAR PROCESS		-	1	1
02-202	2BM08560	PIN REAR PROCESS		-	1	1
02-203	2BM08540	STAY ACCURIDE PRO R		-	1	1
02-204	2BM08550	COVER BOTTOM PROCESS		-	1	1
02-205	2BM08610	PRESS ARM D4		-	2	2
02-206	2BM08620	SPRING D4 PROCESS		-	2	2
02-207	2BM08530	STAY PROCESS BASE		-	1	1
02-208	2BM02830	COVER LEFT PROCESS		-	1	1
02-209	2BM08510	FRAME FRONT PROCESS		-	1	1
02-210	2BM42430	LOCK PROCESS R		X	1	1
02-211	5MMT273SZ004	TP SCREW		X	2	2
02-212	2BM02990	PLATE LOCK R		-	1	1
02-213	2BM02430	BUSH PIN		X	2	2
02-214	2BM02980	PLATE LOCK L		-	1	1
02-215	2BM08590	LOCK PROCESS		X	1	1
02-216	2BM08570	LOCK MCH		-	1	1
02-217	2BM08580	SPRING LOCK MCH		-	1	1
02-218	2BM05220	LABEL CLEANER		-	1	1
02-219	2BM02840	SCREW PROCESS		-	4	4
02-220	2BM42660	SPRING FRAME PRO		-	4	4

3. Drive Unit (03-)



DRIVE UNIT 2



List 3 - Drive Unit (03-)

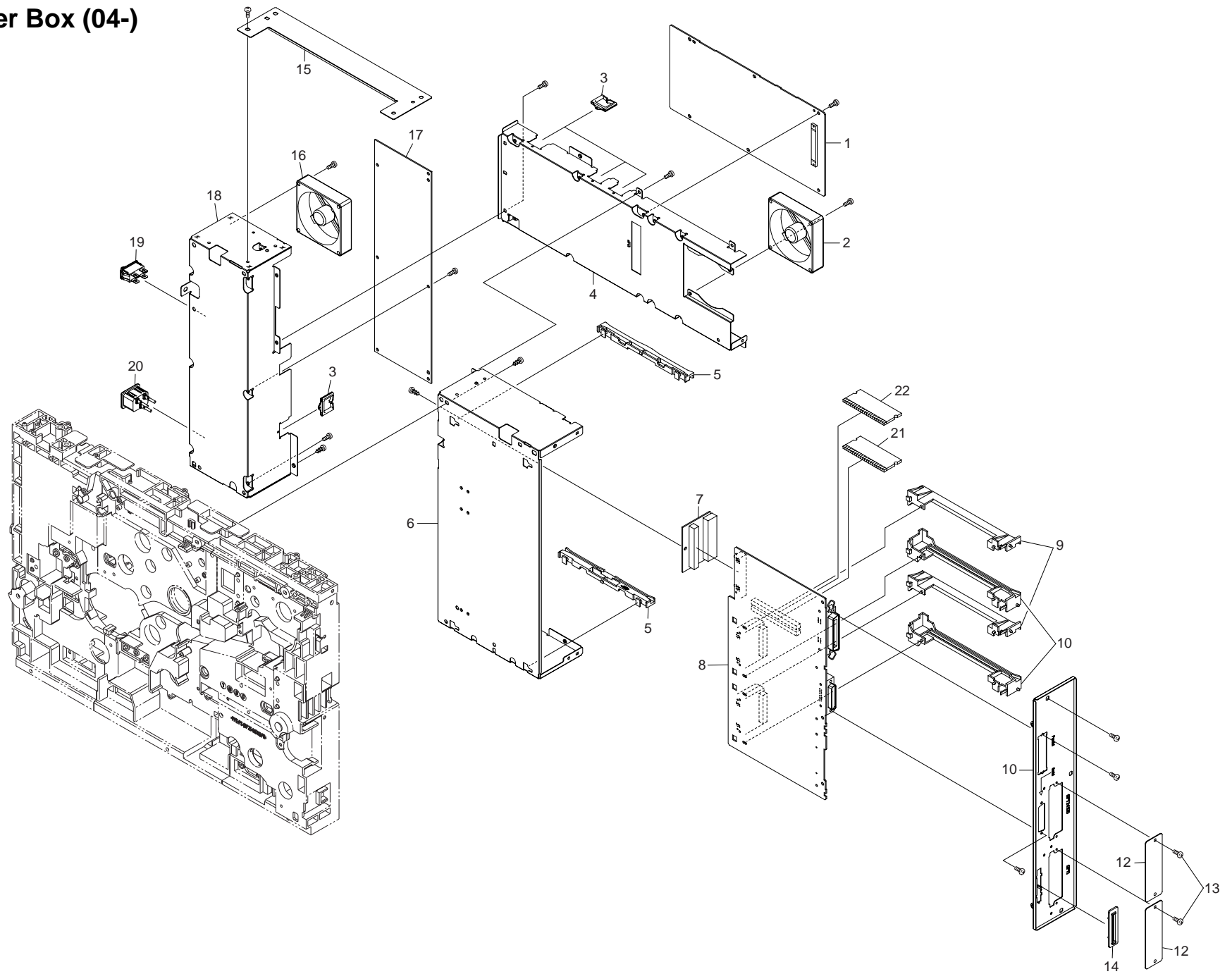
Ref. No.	Part Code	Description	Applicable Model	SP	120V	230V
	2BM93040	DR-800A DRIVE UNIT A		X	1	1
03-001	+ 2BM27690	MOTOR MAIN		X	1	1
03-002	+ 2BM22200	HOLDER ASSY B		X	1	1
03-003	+ 2BM22020	PLATE DRIVE MAIN B		-	1	1
03-004	+ 2BM22050	GEAR Z144H		X	1	1
03-005	+ 2BM27700	MOTOR DLP		X	2	2
03-006	+ 2BM22060	GEAR Z36H Z117H		X	1	1
03-007	+ 2BM22360	BUSH 6-9-4		X	1	1
03-008	+ M2104260	EDGING EDS-0607U		-	3	3
03-009	+ 2BM22070	GEAR Z30 Z58H ASSY		X	1	1
03-010	+ 2BM22090	GEAR Z25 Z29		X	1	1
03-011	+ 2BM22170	GEAR Z23 IDLE		X	6	6
03-012	+ 2BM22100	GEAR Z29 IDLE		X	1	1
03-013	+ 2BM22160	GEAR Z14 Z29		X	1	1
03-014	+ 2BM22140	GEAR Z43H		X	1	1
03-015	+ 2BM22080	GEAR Z30 Z57H ASSY		X	2	2
03-016	+ 2BM23760	GEAR Z53		X	1	1
03-017	+ 2BM22030	PLATE DRIVE MAIN C		-	1	1
03-018	+ 2BM22110	GEAR Z26 IDLE		X	3	3
03-019	+ 2BM23750	GEAR Z34		X	1	1
03-020	+ 34922480	BEARING REGISTRATION FULCRUM		X	4	4
03-021	+ 2BM22130	GEAR Z30 JOINT MIX		X	4	4
03-022	+ 2BM23800	BUSH MAIN C		X	1	1
03-023	+ 2BM22150	GEAR Z21H Z26		X	1	1
03-024	+ 2BM22180	GEAR Z28		X	1	1
03-025	+ 2BM23720	CLUTCH ASSY 2		X	4	4
03-026	+ 2BM68230	SHAFT JOINT MIX ASSY		X	4	4
03-027	+ 2BM22220	HOLDER ASSY CHY		X	1	1
03-028	+ 2BM22230	HOLDER ASSY CHM		X	1	1
03-029	+ 2BM22240	HOLDER ASSY CHC		X	1	1
03-030	+ 2BM22250	HOLDER ASSY CHK		X	1	1
03-031	+ 2BM22010	PLATE DRIVE MAIN A		-	1	1
03-032	+ 2BM22270	BUSH CL CAM		X	1	1
03-033	+ 2BM22420	SHAFT JOINT CAM		-	1	1
03-034	+ 2BM22280	CLUTCH ASSY CAM		X	1	1
03-035	+ 2BM22430	SHAFT JOINT SCREW		-	1	1
03-036	+ 2BM27630	CLUTCH 26-C		X	1	1
03-037	+ 2BM22260	HOUSING CL CAM		-	1	1
03-038	+ 2BM22460	SPRING JOINT CAM		-	2	2

Ref. No.	Part Code	Description	Applicable Model	SP	120V	230V
03-039	+ 2BM22330	JOINT CAM		X	1	1
03-040	+ 2BM22320	JOINT ROLL SCREW		X	1	1
03-041	+ 2BM22350	ACTUATOR CAM		-	1	1
03-042	+ 2BM22470	SPRING ACTUATOR		-	1	1
03-043	+ 2BM27240	PT.SENSOR GP1S74P		X	1	1
03-044	+ 2BM27640	SOLENOID CAM		X	1	1
03-045	+ 2BM22380	PLATE SENSOR		-	1	1
03-046	+ 2BM22400	SHAFT JOINT DRUM		-	1	1
03-047	+ 2BM22190	HOLDER ASSY A		X	1	1
03-048	+ 2BM22450	SPRING JOINT DRUM		-	1	1
03-049	+ 2BM23830	JOINT DRUM		-	1	1
03-050	+ 2BM01170	P.W.BOARD KP-824 ASSY	DRIVE A	X	1	1
03-051	+ 2BM22500	LID HV UNIT		-	1	1
03-052	+ 2BM22510	EARTH DLP		-	4	4
03-053	+ 2BM22530	PLATE HV JOINT		-	4	4
03-054	+ 2BM22520	EARTH DRUM		-	1	1
03-055	+ 2BM22540	PLATE HV DRUM		-	1	1
03-056	+ 2BM23810	EARTH DRUM T1		-	1	1
03-057	+ 5MMM176CJ003	METAL BUSH KD		X	1	1
03-058	+ 2BM22490	CASE HV JOINT DLP		-	1	1
03-059	+ 2BM23730	HOLDER HARNESS D		-	1	1
03-060	+ 2BM27650	SOLENOID Y		X	1	1
03-061	+ 2BM22370	PLATE SOLENOID		-	4	4
03-062	+ 2BM22340	LEVER SOLENOID		-	4	4
03-063	+ 2BM22440	SPRING LEVER		-	4	4
03-064	+ 2BM22480	SEAL SOLENOID		-	8	8
03-065	+ 2BM27660	SOLENOID M		X	1	1
03-066	+ 2BM27670	SOLENOID C		X	1	1
03-067	+ 2BM27680	SOLENOID K		X	1	1
03-068	+ 2BM22040	PLATE DRIVE MAIN D		-	1	1
03-069	+ 2BM23780	SPRING HV		-	5	5
	2BM93050	DR-800B DRIVE UNIT B		X	1	1
03-101	+ 2BM01160	P.W.BOARD KP-822 ASSY	DRIVE B	X	1	1
03-102	+ 2BM22570	PLATE DRIVE FEED C		-	1	1
03-103	+ M2104260	EDGING EDS-0607U		-	1	1
03-104	+ 2BM27690	MOTOR MAIN		X	1	1
03-105	+ 2BM07330	BUSH METAL		X	3	3
03-106	+ 2BM22670	GEAR Z22 JOINT BE		X	1	1
03-107	+ 2BM22830	SHAFT JOINT BEVEL		-	1	1
03-108	+ 2BM22850	SPRING JOINT LOW		-	1	1

Ref. No.	Part Code	Description	Applicable Model	SP	120V	230V
03-109	+ 2BM22660	GEAR Z25 JOINT		X	1	1
03-110	+ 2BM22690	GEAR Z21		X	1	1
03-111	+ 2BM22630	GEAR Z14 Z30		X	1	1
03-112	+ 2BM22620	GEAR Z26		X	1	1
03-113	+ 2BM22640	GEAR Z23 JO		X	1	1
03-114	+ 2BM22650	GEAR Z33 Z23		X	1	1
03-115	+ 2BM22580	GEAR Z30 Z66H		X	2	2
03-116	+ 2BM22700	GEAR Z14 Z36		X	1	1
03-117	+ 2BM22560	PLATE DRIVE FEED B		-	1	1
03-118	+ 2BM22760	BUSH SHAFT 6		X	1	1
03-119	+ 2BM22680	GEAR BEVEL Z20		X	1	1
03-120	+ 2BM22740	GEAR Z29 JO		X	1	1
03-121	+ 2BM22610	GEAR Z36		X	1	1
03-122	+ 2BM22600	GEAR Z24		X	2	2
03-123	+ 2BM22590	GEAR Z33 Z47H		X	1	1
03-124	+ 2BM27750	CLUTCH REGIST		X	1	1
03-125	+ 2BM27760	CLUTCH 26-A		X	1	1
03-126	+ 2BM22810	SHAFT JOINT MID		-	1	1
03-127	+ 2BM22550	PLATE DRIVE FEED A		-	1	1
03-128	+ 2BM22710	GEAR Z27 Z40		X	1	1
03-129	+ 2BM22750	HOUSING CL REGIST		-	1	1
03-130	+ 2BM22820	SHAFT JOINT REGIST		-	1	1
03-131	+ 2BM22840	SPRING JOINT REGIST		-	2	2
03-132	+ 2BM22790	JOINT ROLL REGIST		X	2	2
03-133	+ 2BM14060	BUSH CLUTCH D1234		X	1	1
	2BM68110	DR-800C DRIVE UNIT C		X	1	1
03-201	+ 2BM27790	MOTOR STEP		X	1	1
03-202	+ 2BM23610	HOLDER STMOTOR		-	1	1
03-203	+ 2BM23510	PLATE DRIVE FUSER A		-	1	1
03-204	+ 2BM23570	GEAR Z40 JO		X	1	1
03-205	+ 2BM22740	GEAR Z29 JO		X	1	1
03-206	+ 2BM23560	GEAR Z51		X	2	2
03-207	+ 2BM22440	SPRING LEVER		-	1	1
03-208	+ 2BM23530	PLATE PULLEY		-	1	1
03-209	+ 2BM23580	PULLEY BELT		X	1	1
03-210	+ 2BM23540	GEAR P50 Z23		X	1	1
03-211	+ 2BM23630	BELT S2M138		X	1	1
03-212	+ 5MMM176CJ005	BUSHING SBK		X	1	1
03-213	+ 2BM23550	GEAR Z46 JOINT FUSER		X	1	1
03-214	+ 5MVM170XN002	BUSH MAG		X	1	1

Ref. No.	Part Code	Description	Applicable Model	SP	120V	230V
03-215	+ 2BM23520	HOLDER SHAFT FUSER		-	1	1
03-216	+ 2BM68240	SHAFT JOINT FUSER ASSY		X	1	1
	2BM93060	DR-800D DRIVE UNIT D		X	1	1
03-301	+ 2BM22860	PLATE DRIVE TK		-	1	1
03-302	+ 2BM22770	BUSH POM MID		X	1	1
03-303	+ 2BM22940	GEAR Z41		X	1	1
03-304	+ 2BM22930	GEAR Z14 Z40		X	1	1
03-305	+ 2BM22910	GEAR Z23 Z33		X	2	2
03-306	+ 2BM23690	GEAR Z23 TK1		X	1	1
03-307	+ 2BM22920	GEAR Z21 Z36		X	1	1
03-308	+ 2BM23710	GEAR Z37 BEVEL Z25		X	1	1
03-309	+ 2BM22990	SPRING JOINT TK		-	2	2
03-310	+ 2BM22890	JOINT SCRAPER TK		X	1	1
03-311	+ 2BM22880	JOINT TK FEED		X	1	1
03-312	+ M2104260	EDGING EDS-0607U		-	1	1
03-313	+ 2BM23700	GEAR Z23 TK2		X	1	1
03-314	+ 2BM22950	GEAR Z24 L		X	1	1
03-315	+ 2BM07330	BUSH METAL		X	2	2
03-316	+ 2BM22980	SHAFT JOINT TK		-	1	1
03-317	+ 2BM22970	GEAR Z30 CL TK		X	1	1
03-318	+ 2BM27950	CLUTCH 26-G		X	1	1
03-319	+ 2BM22870	HOLDER CL TK		-	1	1

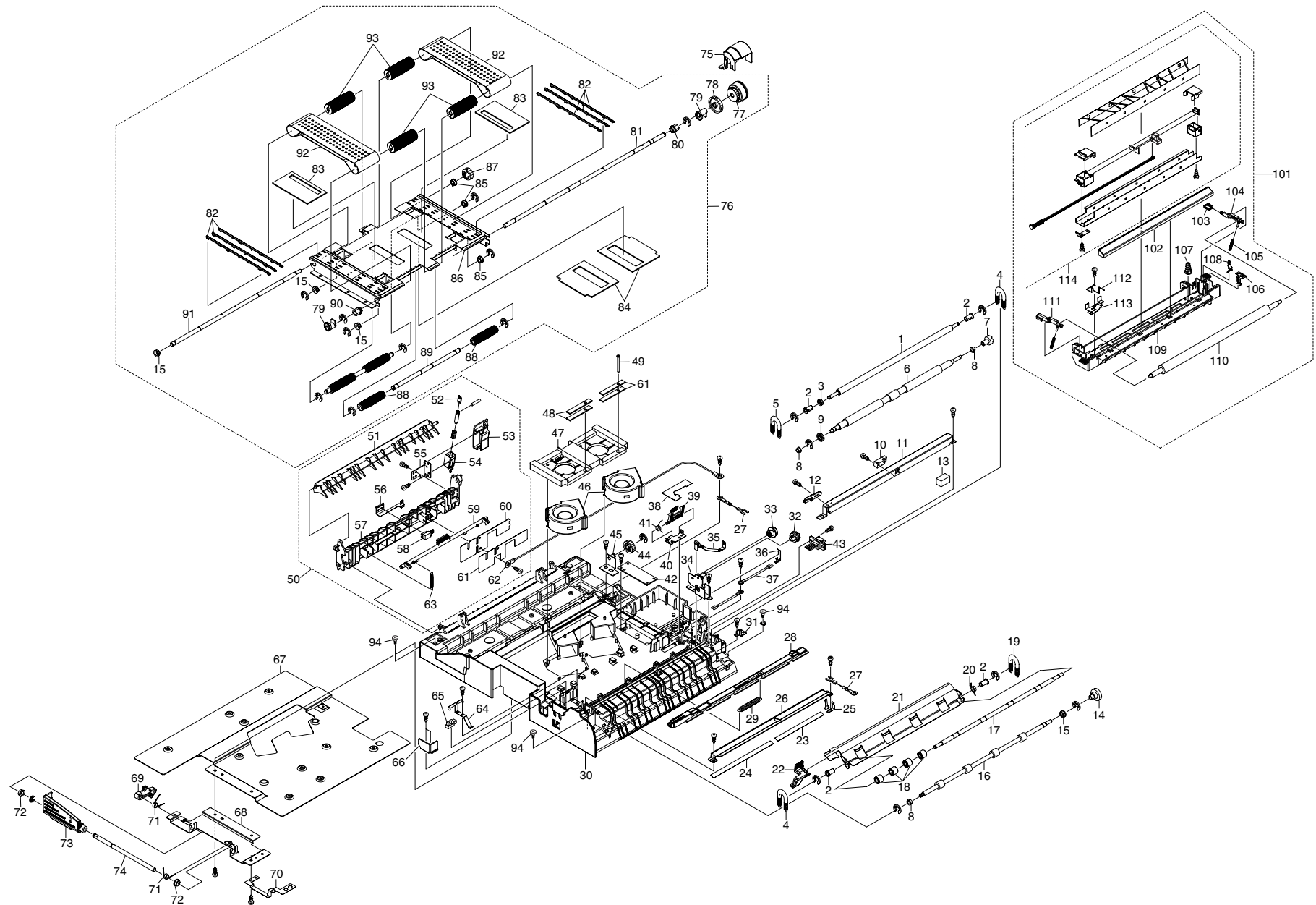
4. Controller Box (04-)



List 4 - Controller Box

Ref. No.	Part Code	Description	Applicable Model	SP	120V	230V
04-001	2BM01060	P.W.BOARD KP-801 ASSY	ENGINE	X	-	1
04-001	2BM01330	P.W.BOARD KP-801 ASSY	ENGINE	X	1	-
04-002	2BM27970	FAN MOTOR		X	1	1
04-003	M2104220	EDGING EDS-1717U		-	5	5
04-004	2BM26040	BOX ENGINE		-	1	1
04-005	2BM26050	RAIL PWB		-	2	2
04-006	2BM00960	BOX CONTROLLER ASSY		-	1	1
04-007	2BM01070	P.W.BOARD KP-802 ASSY	RER	X	1	1
04-008	5AAPRLGG6002AH	P.W.BOARD KP-800 ASSY	MAIN	X	1	1
04-009	5MVB743SL001	RAIL OPTION L		-	2	2
04-010	5MVB743SL002	RAIL OPTION R		-	2	2
04-011	5MMB861SD001	PANEL CONTROLLER		-	1	1
04-012	5MMS636SD009	PLATE OPTION		-	2	2
04-013	5MMT263SN012	SCREW OP		X	4	4
04-014	5MVX621SH003	GUIDE CF CARD		-	1	1
04-015	2BM42510	PLATE CONTROLLER A		-	1	1
04-016	2BM27840	FAN MOTOR		X	1	1
04-017	2BM28220	PWB POWER SUPPLY 240		X	-	1
04-017	2BM28230	PWB POWER SUPPLY 120		X	1	-
04-018	2BM26060	BOX REGULATOR		-	1	1
04-019	2BM27850	AC SWITCH		X	1	1
04-020	2BM27860	CONN.CORD PS1 ASSY		-	1	1
04-021	5AAPRMEG4021HQ	DIMM PWB	BOOT	X	1	1
04-022	5AAPRMEG4021JQ	DIMM PWB	SYSTEM	X	1	1

5. Paper Feed Unit (05-)



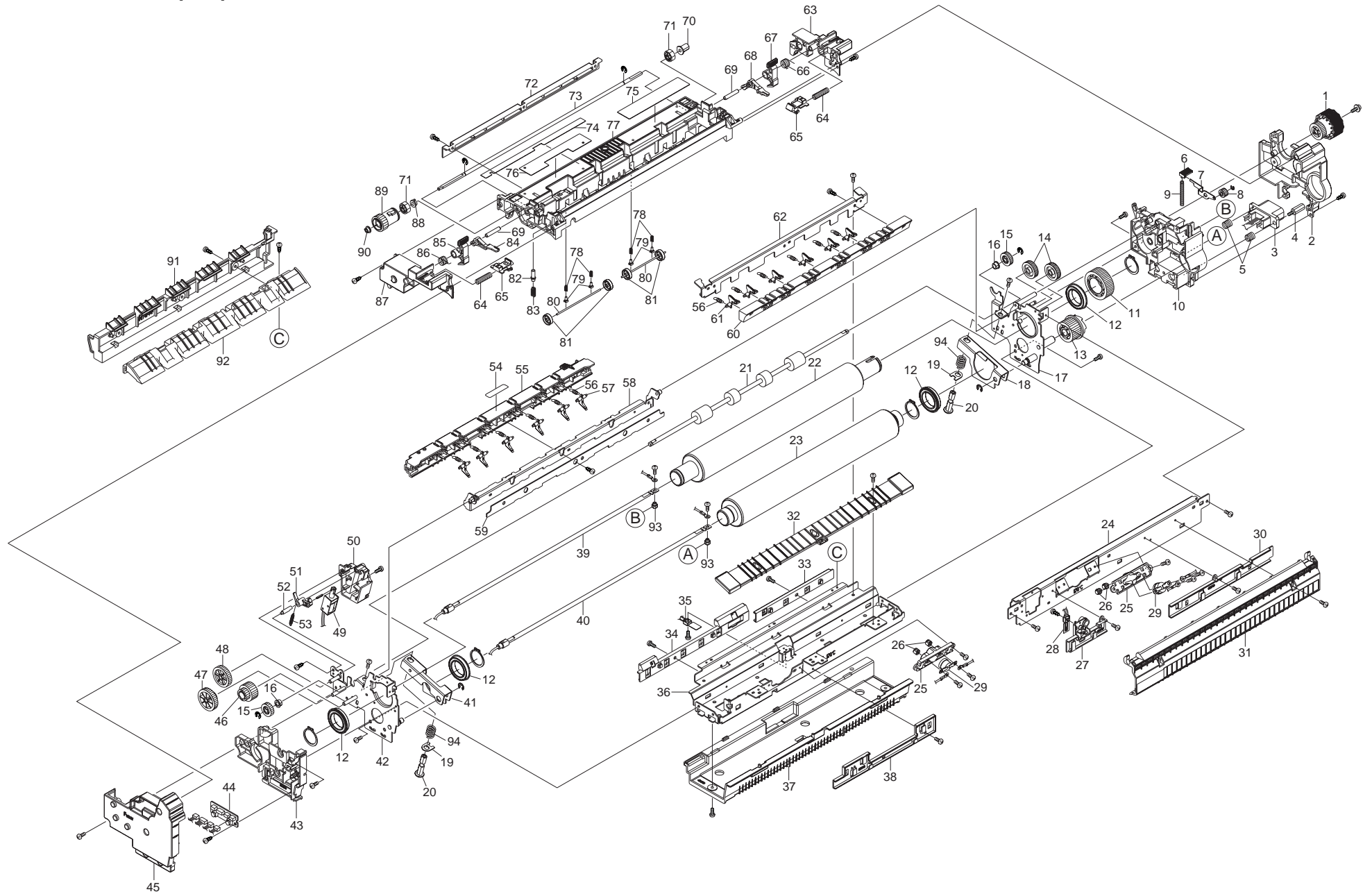
List 5 - Paper Feed Unit (05-)

Ref. No.	Part Code	Description	Applicable Model	SP	120V	230V
	2BM93010	FE-800 FEED UNIT		X	1	1
05-001	+ 2BM17400	ROLLER REGIST UP		X	1	1
05-002	+ 2BM17330	BUSH REGIST UP		X	4	4
05-003	+ 2BM17950	GEAR REGIST Z24		X	1	1
05-004	+ 2BM17350	SPRING MIDDLE F		X	2	2
05-005	+ 2BM17420	SPRING REGIST F		X	1	1
05-006	+ 2BM17370	ROLLER REGIST LOW		X	1	1
05-007	+ 2BM17390	JOINT ROLL TRANS		X	1	1
05-008	+ 2BM21210	BUSH DRUM		X	3	3
05-009	+ 2BM17380	GEAR REGIST Z32		X	1	1
05-010	+ 2BM27190	PT.SENSOR KR1207		X	1	1
05-011	+ 2BM17430	PLATE REG SENSOR		-	1	1
05-012	+ 2BM43010	SLOPE IMAGE UNIT		-	1	1
05-013	+ 2BM17440	PAD REG SENSOR		-	1	1
05-014	+ 2BM17930	LATCH JOINT		X	1	1
05-015	+ 5MMM176CJ003	METAL BUSH KD		X	4	4
05-016	+ 2BM17280	ROLLER MIDDLE		X	1	1
05-017	+ 2BM17300	SHAFT PULLEY MIDDLE		-	1	1
05-018	+ 2BM17310	PULLEY MIDDLE		X	4	4
05-019	+ 2BM17360	SPRING MIDDLE R		X	1	1
05-020	+ 2BM17340	SPRING GUIDE MIDDLE		-	1	1
05-021	+ 2BM17290	GUIDE MIDDLE		-	1	1
05-022	+ 2BM17320	LEVER GUIDE MIDDLE		-	1	1
05-023	+ 2BM17500	SHEET REGIST B		X	1	1
05-024	+ 2BM17490	SHEET REGIST A		X	1	1
05-025	+ 2BM17460	PLATE EARTH REG A		-	1	1
05-026	+ 2BM17450	GUIDE PAPER REGIST		-	1	1
05-027	+ 2BM17480	HIGH-MEG R ASSY		X	2	2
05-028	+ 2BM17120	PLATE RELEASE		-	1	1
05-029	+ 2BM17130	SPRING RELEASE		-	1	1
05-030	+ 2BM17010	CASE LOW		-	1	1
05-031	+ 2BM17970	PLATE EARTH FEED		-	1	1
05-032	+ 2BM17260	GEAR JOINT Z22S		X	1	1
05-033	+ 2BM17270	GEAR Z22S-Z14S		X	1	1
05-034	+ 2BM17250	PLATE GEAR TC		-	1	1
05-035	+ 2BM17090	PLATE CONTACT TRANS		-	1	1
05-036	+ 2BM43130	PLATE CONTACT CHARGE		-	1	1
05-037	+ 2BM44040	CONN CORD FEED DC ASSY		-	1	1
05-038	+ 2BM17110	SEAL MASK PLATE		-	1	1

Ref. No.	Part Code	Description	Applicable Model	SP	120V	230V	
05-039	+	2BM17890	LEVER LOCK TB	X	1	1	
05-040	+	2BM17900	HOLDER LOCK TB	-	1	1	
05-041	+	2BM17910	SPRING LOCK TB	-	1	1	
05-042	+	2BM01180	P.W.BOARD KP-826 ASSY	FEED	X	1	1
05-043	+	2BM27260	CONN CORD FEED2 ASSY	X	1	1	
05-044	+	2BM17240	GEAR IDLE Z24S	X	1	1	
05-045	+	2BM17230	PLATE GEAR FUSER	-	1	1	
05-046	+	2BM27230	FAN BELT	X	2	2	
05-047	+	2BM17510	DUCT FEED UP	-	1	1	
05-048	+	2BM17520	SEAL BELT LOW	X	4	4	
05-049	+	2BM17960	SCREW FAN BELT	-	4	4	
05-050	+	2BM68160	GUIDE LEFT ASSY	X	1	1	
05-051	++	2BM17150	GUIDE CHANGE DU	-	1	1	
05-052	++	2BM17180	PLATE LEVER SOL	-	1	1	
05-053	++	2BM17170	HOOK LOCK FUSER	-	1	1	
05-054	++	2BM27160	SOLENOID FEED	X	1	1	
05-055	++	2BM17190	ANGLE SOLENOID	-	1	1	
05-056	++	2BM43100	PLATE DU SENSOR	-	1	1	
05-057	++	2BM17140	GUIDE CASE LOW LEFT	-	1	1	
05-058	++	2BM27170	PT.SENSOR GP2S30	X	1	1	
05-059	++	2BM17160	LEVER LOCK CASE LOW	-	1	1	
05-060	++	2BM17200	COVER GUIDE DU	-	1	1	
05-061	++	2BM43120	REFLECTOR DU SENSOR	-	1	1	
05-062	++	2BM44030	CONN.CORD FEED EARTH ASSY	-	1	1	
05-063	++	2BM17210	SPRING LOCK FUSER	-	2	2	
05-064	+	2BM17100	PLATE EARTH CASE	-	1	1	
05-065	+	2BM27240	PT.SENSOR GP1S74P	X	1	1	
05-066	+	2BM43060	PLATE SUPPORT FEED	-	1	1	
05-067	+	2BM17020	PLATE BOTTOM FEED	-	1	1	
05-068	+	2BM17030	PLATE FRONT LEVER	-	1	1	
05-069	+	2BM17060	HOOK LEVER FRONT	X	1	1	
05-070	+	2BM43070	PLATE EARTH BOTTOM	-	1	1	
05-071	+	2BM17070	SPRING FRONT LEVER	-	2	2	
05-072	+	5MVM122DB003	BUSH POM	X	2	2	
05-073	+	2BM17050	LEVER FEED FRONT	X	1	1	
05-074	+	2BM17040	SHAFT FRONT LEVER	-	1	1	
05-075	+	2BM17680	COVER CL FEED	-	1	1	
05-076	+	2BM68170	BELT ASSY	X	1	1	
05-077	++	2BM27210	CLUTCH SP CAM	X	1	1	
05-078	++	2BM17620	GEAR Z42S	X	1	1	
05-079	++	2BM17610	CAM TRANS	X	2	2	

Ref. No.	Part Code	Description	Applicable Model	SP	120V	230V
05-080	++ 2BM17600	BUSH TRANS UNIT		X	1	1
05-081	++ 2BM17590	SHAFT BELT R		-	1	1
05-082	++ 2BM17650	RIB BELT		-	6	6
05-083	++ 2BM43200	SEAL PLATE BELT		X	2	2
05-084	++ 2BM17980	SEAL MASK BELT		X	2	2
05-085	++ 5MVM122DB003	BUSH POM		X	3	3
05-086	++ 2BM17530	PLATE BELT		-	1	1
05-087	++ 2BM17570	GEAR Z22S		X	1	1
05-088	++ 2BM17630	PULLEY TENSION BELT		X	4	4
05-089	++ 2BM17640	SHAFT TENSION BELT		-	2	2
05-090	++ 2BM43080	METAL BUSH TRANS		X	1	1
05-091	++ 2BM17560	SHAFT BELT L		-	1	1
05-092	++ 2BM17540	BELT TRANS		X	2	2
05-093	++ 2BM17550	PULLEY BELT		X	4	4
05-094	+ 2BM02920	SCREW FEED UNIT		-	3	3
05-101	+ 5PLPXATAPKX	TR-800S SEC TRANSFER UNIT		X	1	1
05-102	++ 2BM17710	GUIDE CHUTE LOW		-	1	1
05-103	++ 2BM17740	LEVER TRANS B		X	1	1
05-104	++ 2BM17730	LEVER TRANS R		X	1	1
05-105	++ 2BM17790	SPRING TC		X	2	2
05-106	++ 2BM17780	PLATE CONTACT TC		-	1	1
05-107	++ 2BM43230	SPRING CASE UP		-	1	1
05-108	++ 2BM43210	PLATE CONTACT WIRE		-	1	1
05-109	++ 2BM17690	CASE TRANS		-	1	1
05-110	++ 2BM17700	ROLLER TRANSFER		X	1	1
05-111	++ 2BM17720	LEVER TRANS F		X	1	1
05-112	++ 2BM43090	WIRE EARTH GUIDE		-	1	1
05-113	++ 2BM17750	PLATE EARTH WIRE F		-	1	1
05-114	++ 5PLPXBRAPKX	MK-800D(SC-800 SEPARATE CHARGER)		X	1	1

6. Fuser Unit (06-)



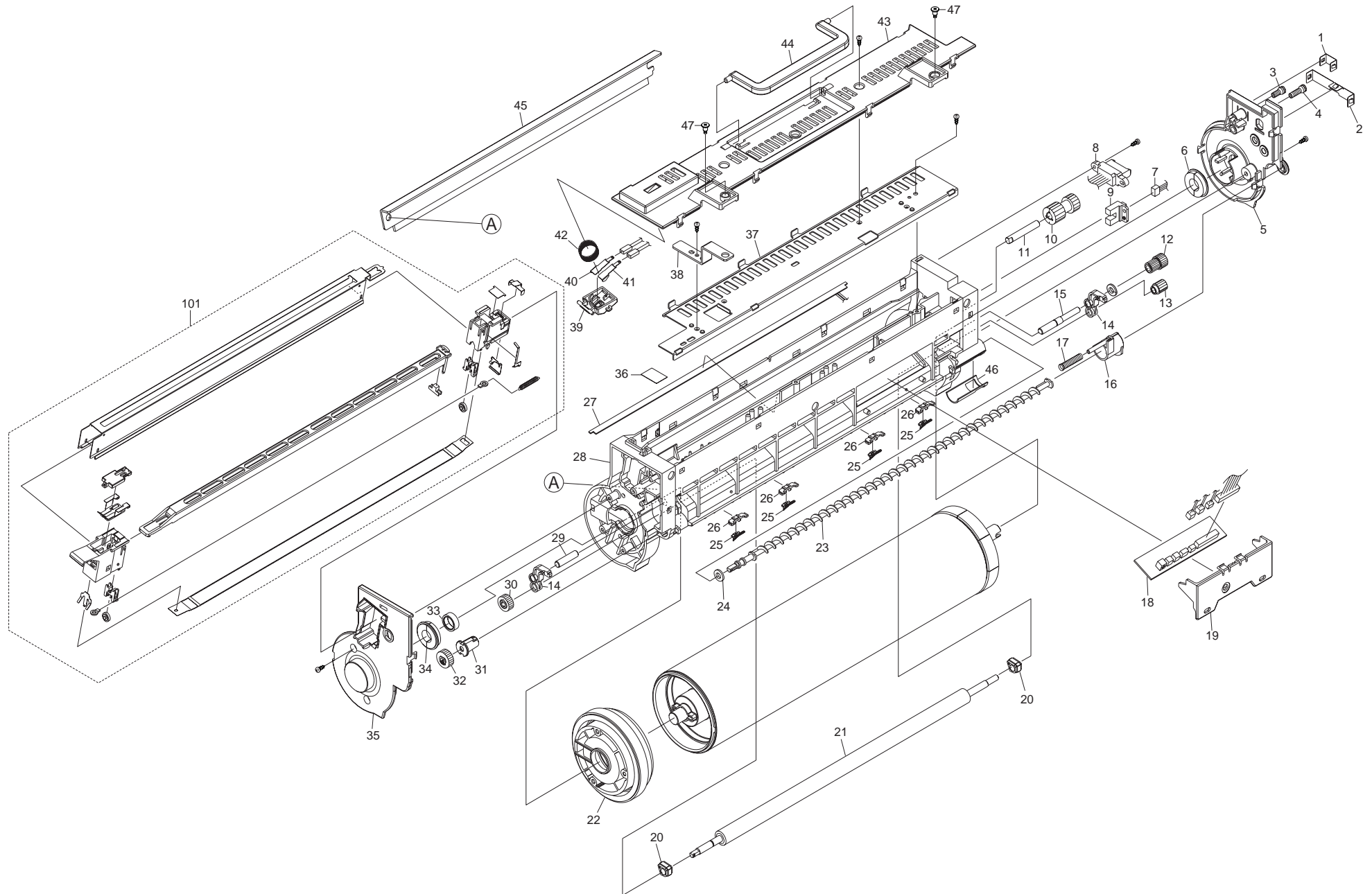
List 6 - Fuser Unit (06-)

Ref. No.	Part Code	Description	Applicable Model	SP	120V	230V
	5PLPXAUAPKE	FK-800(E) FUSER UNIT (E)		X	-	1
	5PLPXAVAAMA	FK-800(U) FUSER UNIT (U)		X	1	-
06-001	+ 2BM20500	HANDLE GEAR		X	1	1
06-002	+ 2BM20380	COVER REAR FUSER		-	1	1
06-003	+ 2BM27930	CONN.CORD INNER FUSER		X	1	1
06-004	+ 2BM41080	STUD SCREW 465		-	2	2
06-005	+ 2BM20430	SPRING CONNECTOR		-	2	2
06-006	+ 2BM20540	LOCK PLATE PUSH		-	1	1
06-007	+ 2BM20530	PLATE LOCK GEAR		-	1	1
06-008	+ 2BM20510	GEAR LOCK Z10		X	1	1
06-009	+ 2BM20550	SPRING LOCK GEAR		-	1	1
06-010	+ 2BM20410	BKT LAMP REAR		-	1	1
06-011	+ 2BM20030	GEAR FUSER Z43		X	1	1
06-012	+ 2BM20040	BEARING FUSER		X	4	4
06-013	+ 2BM20450	GEAR INPUT Z30		X	1	1
06-014	+ 2BM20460	GEAR IDLE Z24		X	2	2
06-015	+ 2BM20520	GEAR EXIT ROLL Z18		X	2	2
06-016	+ 2BM21210	BUSH DRUM		X	2	2
06-017	+ 2BM20150	FRAME REAR FUSER		-	1	1
06-018	+ 2BM20160	PLATE PRESS REAR		-	1	1
06-019	+ 2BM41010	PLATE PIN PRESSURE		-	2	2
06-020	+ 2BM20170	PIN PRESSURE		-	2	2
06-021	+ 2BM20560	ROLLER EXIT		X	1	1
06-022	+ 2BM20010	ROLLER FIX		X	1	1
06-023	+ 2BM20020	ROLLER PRESS		X	1	1
06-024	+ 2BM20270	FRAME TOP FUSER		-	1	1
06-025	+ 2BM20310	BKT THERMOSTAT		-	2	2
06-026	+ 5MMT163SN006	NUT FUSER A		-	4	4
06-027	+ 2BM20290	BKT THERMISTOR UP		-	1	1
06-028	+ 2BM20830	THERMISTOR UP		X	1	1
06-029	+ 2BM20850	THERMOSTAT		X	2	2
06-030	+ 2BM20280	HOLDER HARNESS TOP R		-	1	1
06-031	+ 2BM20340	GUIDE ENTRANCE UP		-	1	1
06-032	+ 2BM20330	GUIDE ENTRANCE LOW		-	1	1
06-033	+ 2BM20070	HOLDER HARNESS RR		-	1	1
06-034	+ 2BM20060	HOLDER HARNESS R.F		-	1	1
06-035	+ 2BM20840	THERMISTOR LOW		X	1	1
06-036	+ 2BM20050	FRAME BOTTOM		-	1	1
06-037	+ 2BM20360	COVER BOTTOM FUSER		-	1	1

Ref. No.	Part Code	Description	Applicable Model	SP	120V	230V
06-038	+ 2BM20080	HOLDER HARNESS LOWER		-	1	1
06-039	+ 2BM20860	LAMP HEATER UPPER 240		X	-	1
06-039	+ 2BM20880	LAMP HEATER UPPER 120		X	1	-
06-040	+ 2BM20870	LAMP HEATER LOW 240		X	-	1
06-040	+ 2BM20890	LAMP HEATER LOW 120		X	1	-
06-041	+ 2BM20140	PLATE PRESS FRONT		-	1	1
06-042	+ 2BM20090	FRAME FRONT FUSER		-	1	1
06-043	+ 2BM20400	BKT LAMP FRONT		-	1	1
06-044	+ 2BM01100	P.W.BOARD KP-811 ASSY FUSER		-	1	1
06-045	+ 2BM20370	COVER FRONT FUSER		-	1	1
06-046	+ 2BM20480	GEAR IDLE Z24Z16		X	1	1
06-047	+ 2BM20490	GEAR IDLE Z30		X	1	1
06-048	+ 2BM20470	GEAR IDLE Z32Z14		X	1	1
06-049	+ 2BM27740	SOLENOID FUSER		X	1	1
06-050	+ 2BM20100	CASE SOLENOID		-	1	1
06-051	+ 2BM20120	ACTUATOR CLUTCH		-	1	1
06-052	+ 2BM20110	PIN ACTUATOR CLUTCH		-	1	1
06-053	+ 2BM20130	SPRING SOL		-	1	1
06-054	+ 2BM42710	LABEL CAUTION S		-	1	1
06-055	+ 2BM20220	BKT SEPARATOR UP		-	1	1
06-056	+ 2BM20260	SPRING SEPARATOR		X	12	12
06-057	+ 2BM20240	SEPARATOR UP		X	6	6
06-058	+ 2BM20230	STAY SEPARATOR UP		-	1	1
06-059	+ 2BM20250	SHEET PROTECT STAY		-	1	1
06-060	+ 2BM20190	BKT SEPARATOR LOW		-	1	1
06-061	+ 2BM20210	SEPARATOR LOW		X	6	6
06-062	+ 2BM20200	STAY SEPARATOR LOW		-	1	1
06-063	+ 2BM20680	BKT COVER TOP R		-	1	1
06-064	+ 2BM20800	SPRING OIL UNIT		-	2	2
06-065	+ 2BM20690	LOCK OIL UNIT		-	2	2
06-066	+ 2BM20820	SPRING LOCK R		-	1	1
06-067	+ 2BM20710	LOCK COVER TOP R		-	1	1
06-068	+ 2BM20740	LEVER OIL R		X	1	1
06-069	+ 2BM20660	PIN ACTUATOR OIL		-	2	2
06-070	+ 2BM41090	BUSH OIL SHAFT		-	1	1
06-071	+ 2BM20630	CAM ROLLER OIL		X	2	2
06-072	+ 2BM20750	COVER SHAFT OIL		X	1	1
06-073	+ 2BM20620	SHAFT MECH CLUTCH		-	1	1
06-074	+ 2BM42680	SEAL FUSER UP		-	1	1
06-075	+ 2BM05090	LABEL CAUTION FUSER		-	1	1
06-076	+ 2BM05080	LABEL FUSER		-	1	1

Ref. No.	Part Code	Description	Applicable Model	SP	120V	230V
06-077	+ 2BM20580	COVER TOP FUSER		-	1	1
06-078	+ 2BM20790	SPRING EXIT		X	4	4
06-079	+ 2BM20610	BUSH SP		X	4	4
06-080	+ 5MMT622SN003	SHAFT EXIT		-	2	2
06-081	+ 5MVM176DB018	PULLEY EXIT		X	4	4
06-082	+ 2BM20720	PUSH OIL		-	2	2
06-083	+ 2BM20780	SPRING LOCK OIL		-	1	1
06-084	+ 2BM20730	LEVER OIL F		X	1	1
06-085	+ 2BM20700	LOCK COVER TOP F		-	1	1
06-086	+ 2BM20810	SPRING LOCK F		-	1	1
06-087	+ 2BM20670	BKT COVER TOP F		-	1	1
06-088	+ 5MVM176DB006	BUSHING POM		X	1	1
06-089	+ 2BM20650	MECH CLUTCH OIL		X	1	1
06-090	+ 5MVM166DN004	BUSH MIXER GEAR		X	1	1
06-091	+ 2BM20390	COVER EXIT FUSER		-	1	1
06-092	+ 2BM20350	GUIDE EXIT LOW		-	1	1
06-093	+ 5MMK116SZ001	NUT FUSER		-	2	2
06-094	+ 2BM20180	SPRING PRESSURE		X	2	2

7. Drum Unit (07-)



List 7 - Drum Unit (07-)

Ref. No.	Part Code	Description	Applicable Model	SP	120V	230V
	5PLPXARAPKX	DK-800 DRUM UNIT		X	1	1
07-001	+ 2BM18170	PLATE MCH U		-	1	1
07-002	+ 2BM18190	PLATE CONTACT MCH		-	1	1
07-003	+ 2BM18440	SPRING CONTACT GRID		-	1	1
07-004	+ 2BM18290	SPRING CONTACT MCH		X	1	1
07-005	+ 2BM18040	COVER DRUM R		-	1	1
07-006	+ G3168020	BEARING 6802ZZNR		X	1	1
07-007	+ 2BM27290	CONN.CORD OD SENSOR ASSY		-	1	1
07-008	+ 2BM27280	CONN.CORD INNER DRUM ASSY		-	1	1
07-009	+ 2BM26120	OD SENSOR		X	1	1
07-010	+ 2BM19010	GEAR Z14HZ28H DRUM		X	1	1
07-011	+ 2BM18180	SHAFT DRUM IDLE		-	1	1
07-012	+ 2BM18380	GEAR Z17HZ22H IDLE		X	1	1
07-013	+ 2BM18080	GEAR Z17H CLN		X	1	1
07-014	+ 2BM19100	ARM ROLL CLC		-	2	2
07-015	+ 2BM18120	SHAFT ROLL CLN R		-	1	1
07-016	+ 2BM18210	SHUTTER DRUM		-	1	1
07-017	+ 2BM18240	SPRING SHUTTER		-	1	1
07-018	+ 2BM01110	P.W.BOARD KP-813 ASSY	DRUM	-	1	1
07-019	+ 2BM18340	COVER DRUM PWB		-	1	1
07-020	+ 2BM18090	BUSH ROLL CLN		-	2	2
07-021	+ 2BM18060	ROLL CLN		-	1	1
07-022	+ 2BM00980	BRAKE DRUM ASSY		X	1	1
07-023	+ 2BM18070	SCREW DRUM		-	1	1
07-024	+ 2BM18460	SEAL SCREW DRUM		-	1	1
07-025	+ 2BM18330	SEPARATOR DRUM		X	4	4
07-026	+ 2BM18320	HOLDER SEPARATOR		-	4	4
07-027	+ 2BM68250	LED ASSY		X	1	1
07-028	+ 2BM18010	FRAME DRUM		-	1	1
07-029	+ 2BM18110	SHAFT ROLL CLN F		-	1	1
07-030	+ 2BM18140	GEAR Z16S CLN		X	1	1
07-031	+ 2BM18150	BUSH SCREW		-	1	1
07-032	+ 2BM18130	GEAR Z18S SCREW		X	1	1
07-033	+ 2BM19110	SPACER DRUM SHAFT		-	1	1
07-034	+ G3169010	BEARING 6901ZZNR		X	1	1
07-035	+ 2BM18030	COVER DRUM F		-	1	1
07-036	+ 2BM19120	SEAL PROTECT MCH		-	1	1
07-037	+ 2BM18200	STAY DRUM FRAME		-	1	1
07-038	+ 2BM18280	PLATE UNIT MOUNT		-	1	1

Ref. No.	Part Code	Description	Applicable Model	SP	120V	230V
07-039	+ 2BM19020	BKT CONT MCH		-	1	1
07-040	+ 2BM19040	PLATE CONT MCH L		-	1	1
07-041	+ 2BM19030	PLATE CONT MCH R		-	1	1
07-042	+ 2BM19050	SPRING CONT MCH		-	1	1
07-043	+ 2BM18050	COVER DRUM UP		-	1	1
07-044	+ 2BM18470	HANDLE		-	1	1
07-045	+ 2BM68260	BLADE ASSY		X	1	1
07-046	+ 2BM18360	SEAL SHUTTER DRUM		-	1	1
07-047	+ 2BM42640	STUD SCREW		X	2	2
07-101	+ 5PLPXAQAPKX	MC-800 MAIN CHARGER ASSY		X	1	1

8. Developer Units

The developer units are supplied as a whole DV kit. See the table which follows on the next page. No exploded diagrams are provided.

List 8 - Developer Units

Ref. No.	Part Code	Description	Applicable Model	SP	120V	230V
	5PLPXBAAPKX	DV-800Y DEVELOPER YELLOW		X	1	1
	5PLXAZAPKX	DV-800M DEVELOPER MAGENTA		X	1	1
	5PLPXAYAPKX	DV-800C DEVELOPER CYAN		X	1	1
	5PLPXAXAPKX	DV-800K DEVELOPER BLACK		X	1	1

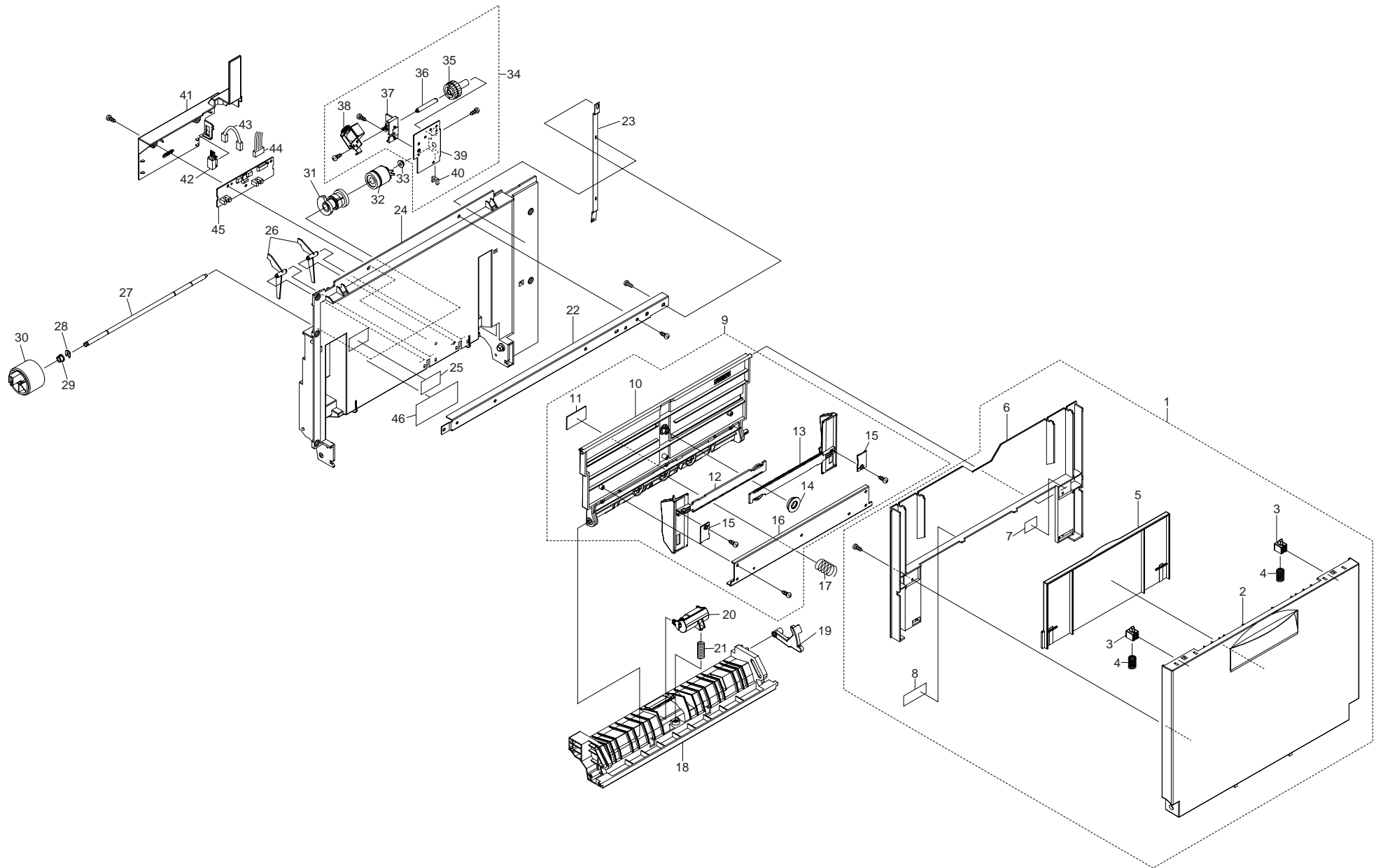
List 9 - Face-down Unit (10-)

Ref. No.	Part Code	Description	Applicable Model	SP	120V	230V
10-001	2BM00590	FACE DOWN UNIT		X	1	1
10-002	+ 2BM21030	COVER GEAR FD		-	1	1
10-003	+ 2BM01190	P.W.BOARD KP-828 ASSY	FACE DOWN	X	1	1
10-004	+ 2BM01090	P.W.BOARD KP-809 ASSY	LEFT COVER	X	1	1
10-005	+ 2BM21600	PROTECT BOARD		-	1	1
10-006	+ 2BM27810	CONN.CORD F.DOWN ASSY		-	1	1
10-007	+ 5MVX111DN003	RING STOPPER		X	7	7
10-008	+ 2BM21230	FD FLANGE BELT		X	4	4
10-009	+ 2BM21270	BELT FD 264		X	1	1
10-010	+ 2BM21220	FD PULLEY BELT Z18		X	2	2
10-011	+ 2BM21250	FD PULLEY GEAR Z18		X	2	2
10-012	+ 2BM21140	GEAR Z26		X	4	4
10-013	+ 2BM21280	BELT FD 156		X	1	1
10-014	+ 2BM21330	GEAR Z22		X	2	2
10-015	+ 2BM21470	BKT PITCH JOINT		-	1	1
10-016	+ 2BM21420	SPRING PLATE JOINT		-	1	1
10-017	+ 2BM21430	PIN JOINT		-	1	1
10-018	+ 2BM21410	PLATE JOINT		-	1	1
10-019	+ 2BM21340	GEAR INPUT Z24		X	1	1
10-020	+ 2BM21350	LOCK COVER FU		X	2	2
10-021	+ 2BM21010	FRAME FD		-	1	1
10-022	+ 2BM21650	FILM SWITCH		-	1	1
10-023	+ 2BM21450	PLATE EARTH SWITCH		-	1	1
10-024	+ 2BM21300	PIN IDLE 1		-	3	3
10-025	+ 2BM21310	PIN IDLE 2		-	2	2
10-026	+ 2BM21100	ARM PRESS DLP		-	2	2
10-027	+ 2BM21090	PLATE PRESS DLP BASE		-	2	2
10-028	+ 2BM21630	FAN FD		X	1	1
10-029	+ 2BM21640	COVER CORD FD		-	1	1
10-030	+ 2BM21080	GUIDE CHANGE		-	1	1
10-031	+ 2BM27240	PT.SENSOR GP1S74P		X	3	3
10-032	+ 2BM21130	ACTUATOR SENSOR FD		X	1	1
10-033	+ 2BM21390	SPRING ACT MIDDLE		X	1	1
10-034	+ 2BM21260	ACTUATOR SENSOR FU		X	1	1
10-035	+ 2BM21400	SPRING ACT FU		-	1	1
10-036	+ 2BM21040	FD PLATE SOLENOID		-	1	1
10-037	+ 2BM27800	SOLENOID FD		X	1	1
10-038	+ 2BM21050	LEVER SOLENOID		-	1	1
10-039	+ 5MMW261LJ032	SPRING SOL		-	1	1

Ref. No.	Part Code	Description	Applicable Model	SP	120V	230V
10-040	+ 2BM21070	LEVER GUIDE CHANGE		-	1	1
10-041	+ 2BM21290	PLATE EARTH FD		-	1	1
10-042	+ 2BM17990	STOPPER PI		-	2	2
10-043	+ 2BM21200	ROLLER FD	X	4	4	
10-044	+ 2BM21440	KNOB ROLL FD	X	1	1	
10-045	+ 2BM21210	BUSH DRUM	X	8	8	
10-046	+ 2BM21530	SPRING EXIT	X	6	6	
10-047	+ 2BM21480	SPRING EXIT	X	2	2	
10-048	+ 2BM20610	BUSH SP	X	8	8	
10-049	+ 2BM21170	SHAFT ROLLER FD		-	4	4
10-050	+ 2BM21160	PULLEY EXIT A	X	4	4	
10-051	+ 2BM21360	PULLEY EXIT AL	X	2	2	
10-052	+ 2BM21370	PULLEY EXIT BL	X	2	2	
10-053	+ 2BM21610	BRUSH ERASER S		-	2	2
10-054	+ 2BM21460	BRUSH ERASER		-	1	1
10-055	+ 2BM21620	TAPE BRUSH		-	1	1
10-056	+ 2BM21020	GUIDE FD		-	1	1
10-057	+ 2BM21150	ACTUATOR FULL SENSOR	X	1	1	
10-058	+ 2BM21240	STAY TOP FD		-	1	1
10-059	+ 2BM27820	CONN.CORD P.FULLASSY		-	1	1
10-060	+ 2BM27830	CONN.CORD C.SWITCHASSY		-	1	1
10-101	2BM68200	COVER FD ASSY	X	1	1	
10-102	+ 2BM21560	PLATE FDC R		-	1	1
10-103	+ 2BM21380	STOPPER COVER FD	X	2	2	
10-104	+ 2BM21570	SPRING LEVER FD R		-	1	1
10-105	+ 2BM21500	LEVER COVER FD		-	1	1
10-106	+ 2BM21460	BRUSH ERASER		-	1	1
10-107	+ 2BM21510	CASE EXIT FU		-	2	2
10-108	+ 2BM21530	SPRING EXIT	X	4	4	
10-109	+ 2BM20610	BUSH SP	X	4	4	
10-110	+ 2BM21520	SHAFT ROLLER FU		-	2	2
10-111	+ 2BM21160	PULLEY EXIT A	X	2	2	
10-112	+ 2BM21670	PULLEY EXIT C	X	2	2	
10-113	+ 2BM21540	COVER EXIT FU		-	2	2
10-114	+ 2BM21550	PLATE FDC F		-	1	1
10-115	+ 2BM21580	SPRING LEVER FD F		-	1	1
10-116	+ 2BM21490	COVER FD		-	1	1
10-117	+ 2BM42590	WIRE EARTH FD		-	1	1
10-201	2BM68190	TRAY FU ASSY	X	1	1	
10-202	+ 2BM04190	TRAY FU A		-	1	1
10-203	+ 2BM04200	TRAY FU B		-	1	1

Ref. No.	Part Code	Description	Applicable Model	SP	120V	230V
10-204	+ 2BM04210	BAND TRAY		X	2	2

10. MP Tray (11-)

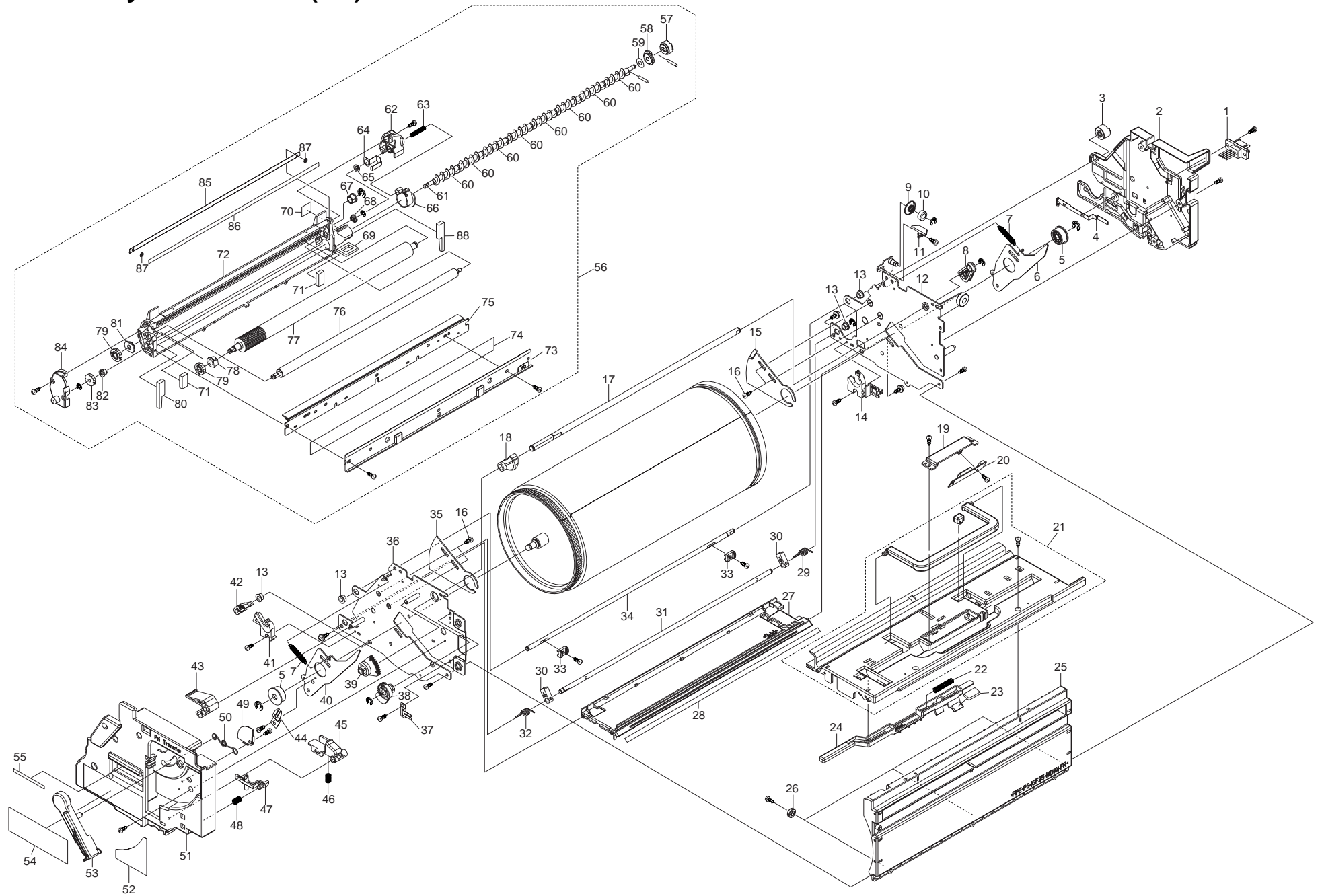


List 10 - MP Tray (11-)

Ref. No.	Part Code	Description	Applicable Model	SP	120V	230V
11-001	2BM68130	COVER RIGHT MPF ASSY		X	1	1
11-002	+ 2BM07100	COVER RIGHT MPF		-	1	1
11-003	+ 2BM07130	LOCK COVER MPF		-	2	2
11-004	+ 2BM07140	SPRING LOCK MPF		-	2	2
11-005	+ 2BM07120	TRAY EXTENSION MPF		-	1	1
11-006	+ 2BM07110	BASE TRAY MPF		-	1	1
11-007	+ 2BM07370	LABEL MPF		-	1	1
11-008	+ 2BM07350	LABEL SIZE		-	1	1
11-009	2BM68140	PLATE BOTTOM MPF ASSY		X	1	1
11-010	+ 2BM07150	PLATE BOTTOM A		-	1	1
11-011	+ 2BM07170	PAD FRICTION		X	1	1
11-012	+ 2BM07200	GUIDE PAPER SIDE F		-	1	1
11-013	+ 2BM07180	GUIDE PAPER SIDE R		-	1	1
11-014	+ 2BM07310	GEAR GUIDE SIDE		X	1	1
11-015	+ 2BM07210	HOLDER GUIDE SIDE		X	2	2
11-016	+ 2BM07160	PLATE BOTTOM B		-	1	1
11-017	2BM07080	SPRING BOTTOM MPF		X	1	1
11-018	2BM07020	GUIDE PAPER MPF		-	1	1
11-019	2BM07050	ACTUATOR CAM MPF		-	2	2
11-020	2BM07340	RETARD ROLL ASSY		X	1	1
11-021	2BM07290	SPRING RETARD MPF		X	1	1
11-022	2BM07090	STAY RIGHT MPF		-	1	1
11-023	2BM07070	PLATE EARTH MPF		-	1	1
11-024	2BM07010	FRAME RIGHT MPF		-	1	1
11-025	2BM07360	LABEL MP TRAY		-	1	1
11-026	2BM07060	ACTUATOR PAPER MPF		X	2	2
11-027	2BM07260	SHAFT ROLL MPF		-	1	1
11-028	5MVX111DN003	RING STOPPER		X	2	2
11-029	2BM07320	BUSH POM B		X	1	1
11-030	2BM07270	ROLL FEED MPF ASSY		X	1	1
11-031	2BM27120	CLUTCH MPF ASSY		X	1	1
11-032	2BM27780	CLUTCH 26-B		X	1	1
11-033	2BM07330	BUSH METAL		X	1	1
11-034	2BM68150	PLATE DRIVE MPF ASSY		X	1	1
11-035	+ 2BM07240	GEAR MPF Z28 Z30		X	1	1
11-036	+ 2BM07250	SHAFT GEAR MPF		-	1	1
11-037	+ 2BM07230	HOLDER DRIVE MPF		-	1	1
11-038	+ 2BM27100	SOLENOID MPF		X	1	1
11-039	+ 2BM07220	PLATE DRIVE MPF		-	1	1

Ref. No.	Part Code	Description	Applicable Model	SP	120V	230V
11-040	+ M2104220	EDGING EDS-1717U		-	1	1
11-041	2BM07030	COVER PWB MPF		-	1	1
11-042	2BM27170	PT.SENSOR GP2S30		X	1	1
11-043	2BM27140	CONN.CORD P.SIZE ASSY		-	1	1
11-044	2BM27130	CONN.CORD MPF ASSY		-	1	1
11-045	2BM01210	P.W.BOARD KP-832 ASSY	MPF	X	1	1
11-046	2BM05250	LABEL PAPER TYPE E		X	1	1

11. Primary Transfer Unit (17-)



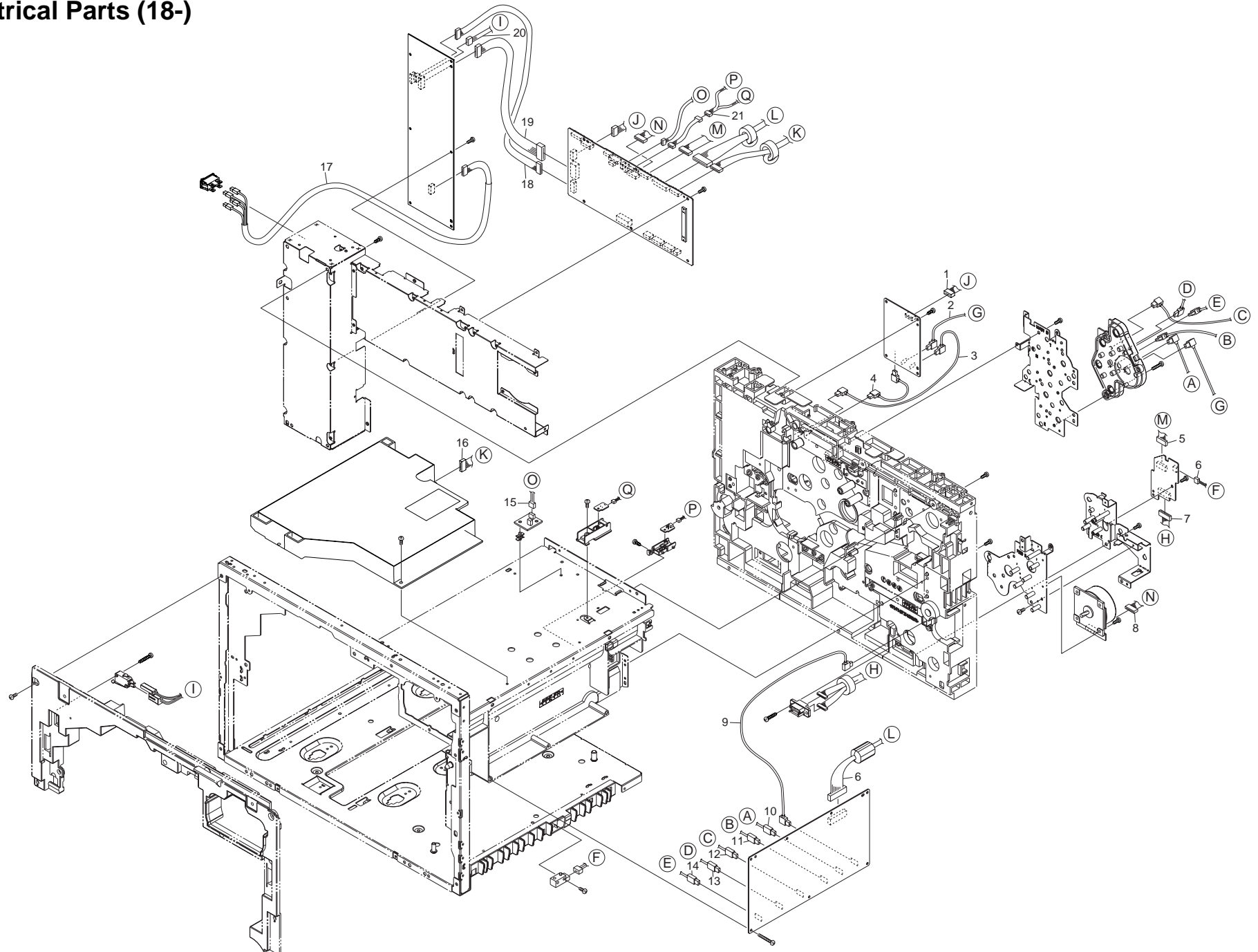
List 11 - Primary Transfer Unit (17-)

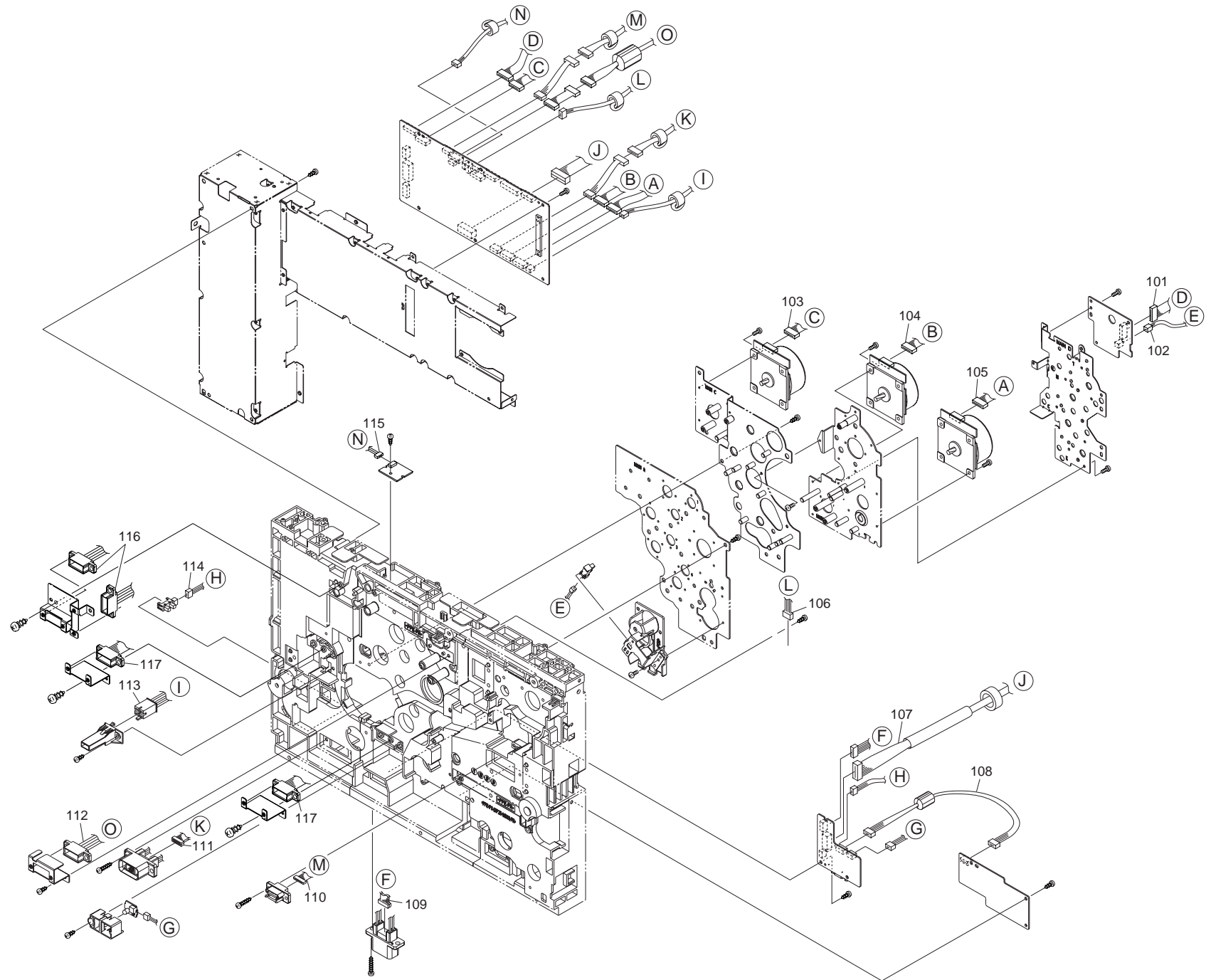
Ref. No.	Part Code	Applicable Model	SP	120V	230V
	5PLPXASAPKX	TR-800P PRI TRANSFER UNIT	X	1	1
17-001	+ 2BM27710	CONN.CORD IU ASSY	-	1	1
17-002	+ 2BM16160	COVER IMAGE R	-	1	1
17-003	+ 2BM16200	JOINT CAM CL	X	1	1
17-004	+ 2BM16460	PLATE BIAS FLICKER B	-	1	1
17-005	+ 2BM16150	BUSH CYLINDER	-	2	2
17-006	+ 2BM16240	PLATE PRESS IMAGE R	-	1	1
17-007	+ 2BM16320	SPRING IMAGE PRESS	X	2	2
17-008	+ 2BM16350	CAM PRESS R	-	1	1
17-009	+ 2BM16990	SPRING PLATE IMAGE	-	1	1
17-010	+ G3006860	MINIATURE BEARING 686ZZ	-	1	1
17-011	+ 2BM16500	STOPPER GUIDE	-	1	1
17-012	+ 2BM16370	PLATE IMAGE R ASSY	-	1	1
17-013	+ 2BM21210	BUSH DRUM	X	4	4
17-014	+ 2BM16220	HOLDER CL R	-	1	1
17-015	+ 2BM16400	PLATE PITCH IMAGE R	-	1	1
17-016	+ 2BM16830	SCREW STUD A	-	4	4
17-017	+ 2BM16330	SHAFT IMAGE LOCK	-	1	1
17-018	+ 2BM16380	LOCK IMAGE	-	1	1
17-019	+ 2BM16030	BRACKET SENSOR ID	-	1	1
17-020	+ 2BM27720	PT.SENSOR KUA0020C	-	1	1
17-021	+ 2BM00820	FRAME IMAGE TOP ASSY	-	1	1
17-022	+ 2BM16060	SPRING SENSOR ID	-	1	1
17-023	+ 2BM16050	PAD CLEANER ID	-	1	1
17-024	+ 2BM16040	KNOB CLEANER ID	-	1	1
17-025	+ 2BM16070	STAY IMAGE	-	1	1
17-026	+ 2BM16080	PULLEY IMAGE	-	1	1
17-027	+ 2BM16260	BRACKET CLEANER	-	1	1
17-028	+ 2BM16560	SEAL BKT CLEANER	-	1	1
17-029	+ 2BM16280	SPRING PRESS CL R	X	1	1
17-030	+ 2BM16440	LEVER CL	-	2	2
17-031	+ 2BM16520	SHAFT LEVER	-	1	1
17-032	+ 2BM16270	SPRING PRESS CL F	X	1	1
17-033	+ 2BM16190	CAM CLEANER	-	1	1
17-034	+ 2BM16180	SHAFT CAM CLEANER	-	1	1
17-035	+ 2BM16390	PLATE PITCH IMAGE F	-	1	1
17-036	+ 2BM16360	PLATE IMAGE F ASSY	-	1	1
17-037	+ 2BM16930	EARTH FRAME	-	1	1
17-038	+ 2BM16340	CAM PRESS F	-	1	1

Ref. No.	Part Code	Applicable Model	SP	120V	230V
17-039	+ 2BM16010	GEAR LEVER FRAME	-	1	1
17-040	+ 2BM16230	PLATE PRESS IMAGE F	-	1	1
17-041	+ 2BM16210	HOLDER CL F	-	1	1
17-042	+ 2BM16420	LEVER CL RELEASE A	-	1	1
17-043	+ 2BM16430	LEVER CL RELEASE B	-	1	1
17-044	+ 2BM16250	EARTH IMAGE	-	1	1
17-045	+ 2BM16300	STOPPER LEVER IMAGE	-	1	1
17-046	+ 2BM16310	SPRING STOPPER LEVER	-	1	1
17-047	+ 2BM16410	LEVER LOCK	-	3	3
17-048	+ 2BM16920	SPRING LEVER LOCK	-	1	1
17-049	+ 2BM16480	STOPPER SPRING	-	1	1
17-050	+ 2BM16490	SPRING LEVER FRAME	-	2	2
17-051	+ 2BM16290	COVER IMAGE F	-	1	1
17-052	+ 2BM16550	LABEL IMAGE C	-	1	1
17-053	+ 2BM16020	LEVER FRAME IMAGE	-	1	1
17-054	+ 2BM16530	LABEL IMAGE A	-	1	1
17-055	+ 2BM16540	LABEL IMAGE B	-	1	1
17-056	+ 2BM93270	CLEANER ASSY	X	1	1
17-057	++ 2BM16660	JOINT SCREW	X	1	1
17-058	++ 2BM16690	BUSH SCREW R	X	2	2
17-059	++ 2BM16940	SEAL SHIELD SCREW	X	1	1
17-060	++ 2BM16640	SCREW CLEANER	-	8	8
17-061	++ 2BM16760	SHAFT SCREW	-	1	1
17-062	++ 2BM16630	COVER CLEANER R	-	1	1
17-063	++ 2BM18240	SPRING SHUTTER	-	1	1
17-064	++ 2BM16870	PLATE BIAS SWEEP	-	1	1
17-065	++ 2BM16900	BUSH EARTH	-	1	1
17-066	++ 2BM16570	SHUTTER CLEANER	-	1	1
17-067	++ 2BM16670	BUSH BRUSH R	X	1	1
17-068	++ 2BM16890	BUSH SWEEP R	X	1	1
17-069	++ 2BM16580	SEAL SHUTTER	-	1	1
17-070	++ 2BM45010	SEAL SHUTTER B	-	1	1
17-071	++ 2BM16950	SEAL SWEEP SIDE F	-	2	2
17-072	++ 2BM16610	FRAME CLEANER	-	1	1
17-073	++ 2BM16740	GUIDE TONER	-	1	1
17-074	++ 2BM16780	SEAL GUIDE TONER	X	1	1
17-075	++ 2BM68270	BLADE CLEANER ASSY	X	1	1
17-076	++ 2BM16850	ROLLER SWEEP	-	1	1
17-077	++ 2BM16600	BRUSH FUR	X	1	1
17-078	++ 2BM16680	BUSH BRUSH F	X	1	1
17-079	++ 2BM16730	GEAR BRUSH Z19	X	2	2

Ref. No.	Part Code	Applicable Model	SP	120V	230V
17-080	++ 2BM16810	SEAL BRUSH SIDE F	X	1	1
17-081	++ 2BM16880	BUSH SWEEP F	X	1	1
17-082	++ 2BM16700	BUSH SCREW F	X	1	1
17-083	++ 2BM16860	GEAR SCREW Z19	X	1	1
17-084	++ 2BM16620	COVER CLEANER F	-	1	1
17-085	++ 2BM16980	PLATE GUIDE SWEEP	-	1	1
17-086	++ 2BM16970	SEAL GUIDE SWEEP	-	1	1
17-087	++ 2BM45020	PUSH NUT	-	2	2
17-088	++ 2BM16820	SEAL BRUSH SIDE R	X	1	1

12. Electrical Parts (18-)





List 12 - Electrical Parts (18-)

Ref. No.	Part Code	Description	Applicable Model	SP	120V	230V
18-001	2BM28650	CONN.CORD HV-MAIN ASSY		-	1	1
18-002	2BM28790	CONN.CORD HV T2 ASSY		-	1	1
18-003	2BM28860	CONN.CORD HV G ASSY		-	1	1
18-004	2BM28870	CONN.CORD HV MAIN ASSY		-	1	1
18-005	2BM28560	CONN.CORD D.FEED ASSY		-	1	1
18-006	2BM28590	CONN.CORD S2568 ASSY		-	1	1
18-007	2BM28670	CONN.CORD FEED ASSY		X	1	1
18-008	2BM28570	CONN.CORD FEED MOTOR ASSY		-	1	1
18-009	2BM28850	CONN.CORD HV CR ASSY		-	1	1
18-010	2BM28800	CONN.CORD HV T1 ASSY		-	1	1
18-011	2BM28840	CONN.CORD HV BK ASSY		-	1	1
18-012	2BM28830	CONN.CORD HV BC ASSY		-	1	1
18-013	2BM28820	CONN.CORD HV BM ASSY		-	1	1
18-014	2BM27440	CONN.CORD LED D2 ASSY		-	1	1
18-015	2BM28770	CONN.CORD H.SENSOR ASSY		-	1	1
18-016	2BM28520	CONN.CORD APC ASSY		-	1	1
18-017	2BM27870	CONN.CORD PS2 ASSY		-	1	1
18-018	2BM28740	CONN.CORD HEAT CONT ASSY		-	1	1
18-019	2BM28730	CONN.CORD POWER E.ASSY		-	1	1
18-020	2BM28690	CONN.CORD COVER SW.ASSY		-	1	1
18-021	2BM28960	CONN.CORD TSENSOR D4 ASSY		-	1	1
18-101	2BM28600	CONN.CORD D.FEED2 ASSY		-	1	1
18-102	2BM27610	CONN.CORD DRIVE MAIN ASSY		-	1	1
18-103	2BM28880	CONN.CORD HV T12 ASSY		-	1	1
18-104	2BM28610	CONN.CORD DLP MOTOR ASSY		-	1	1
18-105	2BM28620	CONN.CORD MAIN MOTOR ASSY		-	1	1
18-106	2BM28890	CONN.CORD HV UNIT ASSY		-	1	1
18-107	2BM28710	CONN.CORD OP.RERAY ASSY		-	1	1
18-108	2BM28660	CONN.CORD HV-T2 ASSY		-	1	1
18-109	2BM28720	CONN.CORD PF/DU ASSY		X	1	1
18-110	2BM28580	CONN.CORD TRANSFER ASSY		X	1	1
18-111	2BM28630	CONN.CORD FUSER ASSY		X	1	1
18-112	2BM28640	CONN.CORD DRUM ASSY		X	1	1
18-113	2BM28910	CONN.CORD OILROLLFUSEASSY		-	1	1
18-114	2BM28760	CONN.CORD S02597 ASSY		-	1	1
18-115	2BM28930	CONN.CORD EEPROM ASSY		-	1	1
18-116	2BM28540	CONN.CORD DLP YM ASSY		X	1	1
18-117	2BM28550	CONN.CORD DLP CK ASSY		X	1	1

List 12 - Packing Assemblies (P-)

Ref. No.	Part Code	Description	Applicable Model	SP	120V	230V
P-001	2BM77010	PACKING ASSY CE	FS-8000C	X	-	1
P-001	2BM77030	PACKING ASSY CU	FS-8000C	X	1	-
P-001	2BM77040	PACKING ASSY CNE	FS-8000CN	X	-	1
P-001	2BM77050	PACKING ASSY CNU	FS-8000CN	X	1	-

List 12 - Accessories (A-)

Ref. No.	Part Code	Description	Applicable Model	SP	120V	230V	100V
A-001	2BM93190	TB-82 WASTE TONER BOTTLE		X	1	1	1
A-002	2BM04270	PROTECTOR OZONE		X	1	1	1
A-003	2BM00270	CASE MANUAL ASSY		X	1	1	1
A-004	5AAYTK20**03	GRID CLEANER 3 ASSY		X	1	1	1

This page is left blank intentionally.