



PAGE PRINTER

FS-1700 / FS-3700

PARTS CATALOGUE

FS-1700 / FS-3700 Parts Catalogue

Table of Contents

Covers (Fig.1).....	3
Frame Unit (Fig.2).....	5
Drive Unit (Fig.3).....	8
Controller Unit (Fig.4).....	10
Feed Unit (Fig.5).....	12
Fuser Unit (Fig.6).....	15
Cassette (Fig.7).....	18
Drum Unit (Fig.8).....	20
Scanner Unit (Fig.9).....	23
Developer Unit (Fig.10).....	25
Multi Feed Unit (Fig.11).....	28

Introduction

The figures which follow depict the major assemblies of the printer or option, broken down into components. Following each figure are the list giving the following information:

'Ref No.' Reference number which corresponds to the parts in the figure
'Part code'..... Part code which identifies the part
'Part description' A brief description of the part
'Quantity'..... Quantity of the part used in the printer or option

Only the parts highlighted in BOLD should be ordered. All other parts are for reference only and are not stocked.

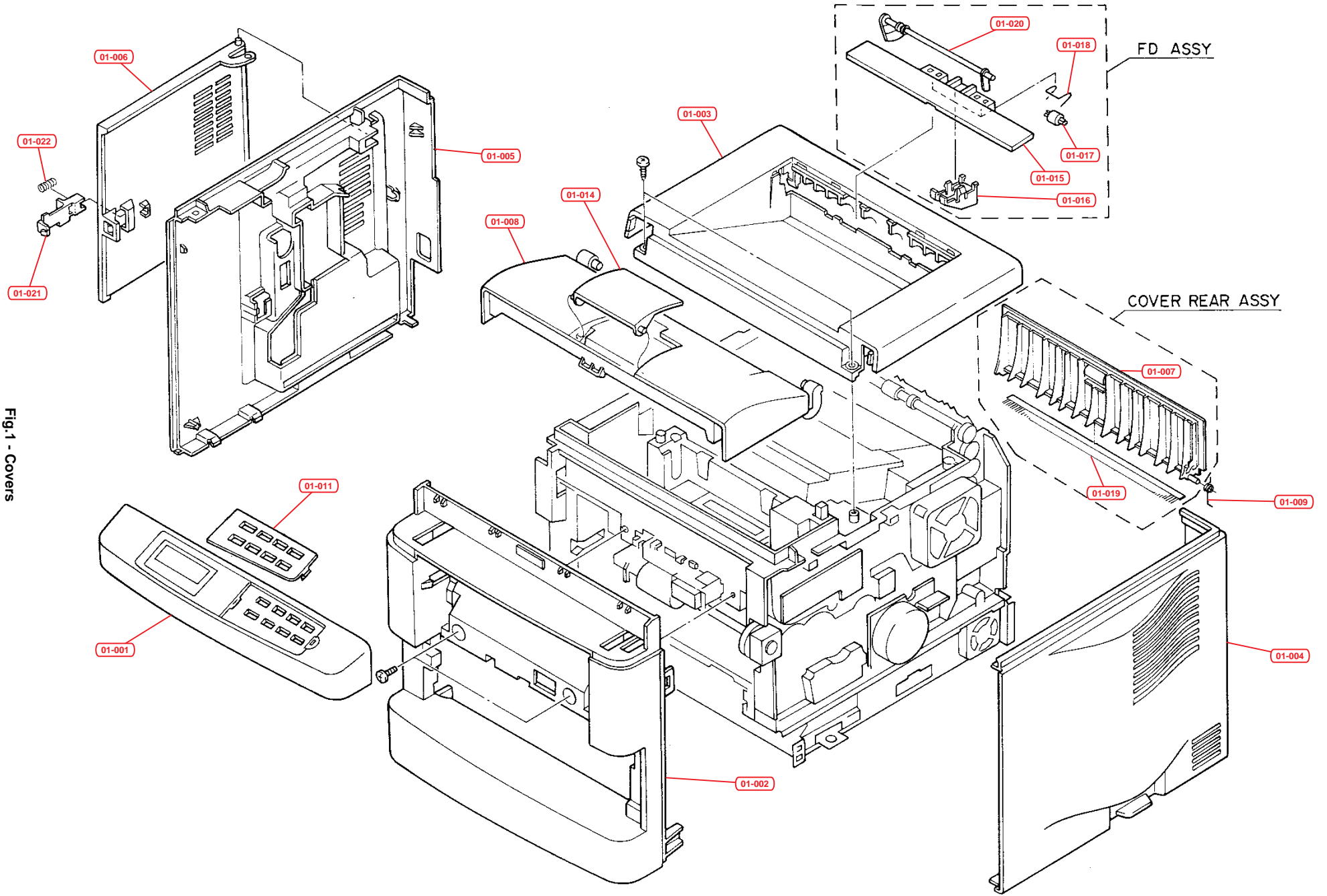


Fig. 1 - Covers

Ref No.	Part Code	Description	Quantity
01-000	AY1700E*48	COVER REAR ASSY	1
01-000	AY1700E*36	FD ASSY (FS-1700)	1
01-000	AY3700E*19	FD ASSY (FS-3700)	1
01-001	AY1700E*35	KEY BOARD ASSY (FS-1700)	1
01-001	AY3700E*18	KEY BOARD ASSY (FS-3700)	1
01-002	VB886CH002	COVER FRONT A	1
01-003	VB886CH001	COVER TOP	1
01-004	VB886CH003	COVER RIGHT	1
01-005	VB886CH004	COVER LEFT	1
01-006	VB883CH001	COVER SIDE	1
01-007	AY1700E*048	COVER REAR ASSY	1
01-008	VB874CH001	LID TOP	1
01-009	MW611LD002	SPRING COVER	1
01-010	VVS1700E*1	SER. NO. PLATE (FS-1700)	1
01-010	VVS3700E*1	SER. NO. PLATE (FS-3700)	1
01-011	VS651CH001	PANEL ENGLISH	1
01-011	VS651CH015	PANEL GERMAN	1
01-011	VS651CH003	PANEL FRENCH	1
01-011	VS651CH004	PANEL SPANISH	1
01-011	VS651CH005	PANEL ITALIAN	1
01-011	VS651CH006	PANEL DANISH	1
01-014	VB662CH001	STOPPER FD	1
01-015	VX852CH001	FRAME FD	1
01-016	VX332DB010	GUIDE STOCK	1
01-017	VM273DB003	ROLLER PINCH	1
01-018	MW251LD025	SPRING PULLEY	1
01-019	VS711AQ001	DISCHARGER FD	1
01-020	VX743CB002	ACTUATOR FD (FS-3700)	1
01-021	VX432CH001	LEVER SIDE	1
01-022	MW166LD008	SPRING LEVER	1

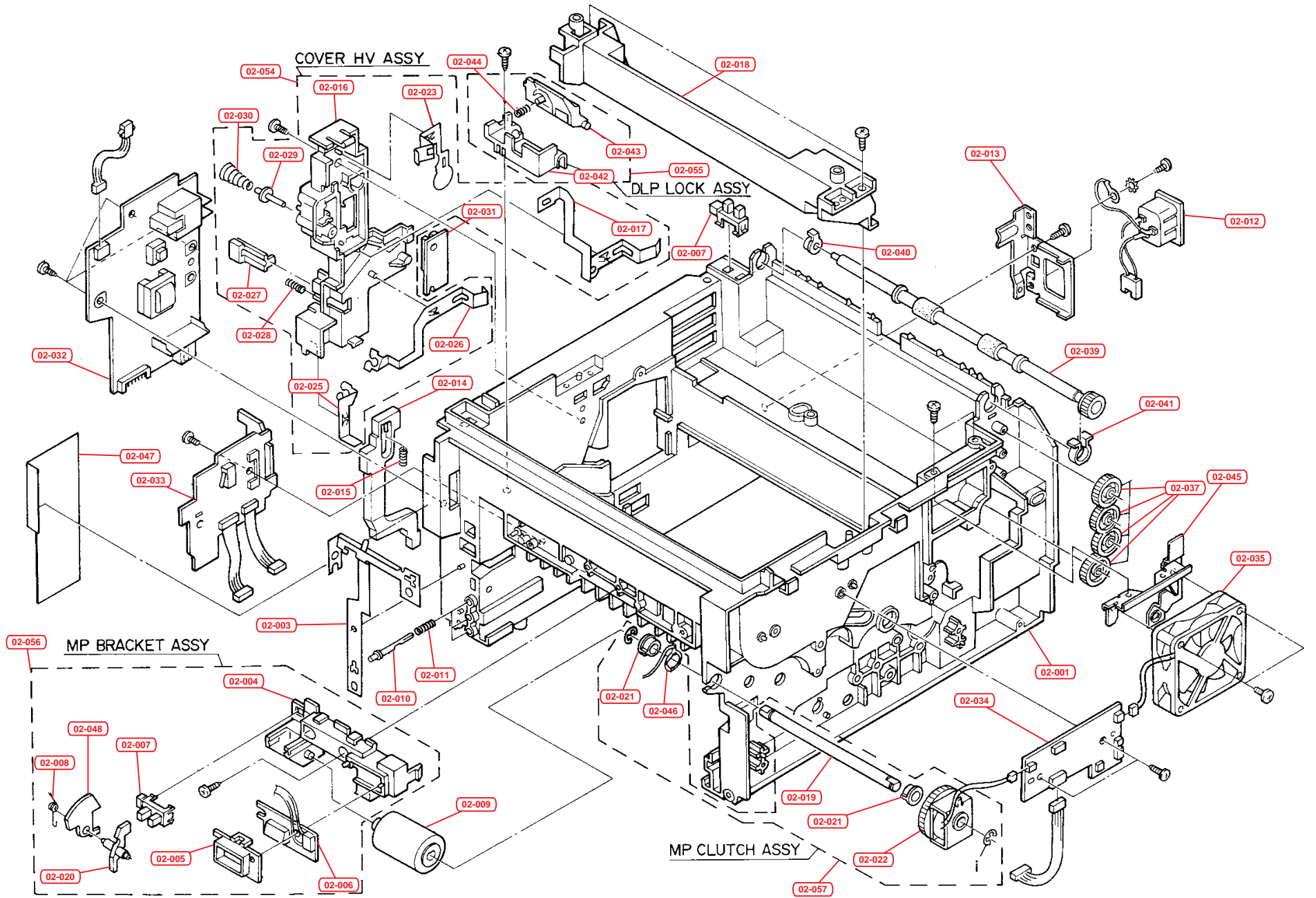


Fig.2 - Frame Unit

Ref No.	Part Code	Description	Quantity
02-000	AY1700E*32	MP BRACKET ASSY	1
02-000	AY1700E*33	COVER HV ASSY	1
02-000	AY1700E*43	DLP LOCK ASSY	1
02-001	AY1700E*01	FRAME BASE (FS-1700)	1
02-001	AY3700E*17	FRAME BASE (FS-3700)	1
02-003	MX761SL002	PLATE EARTH EF	1
02-004	VX744SB002	BRACKET MANUAL	1
02-005	VB433SH005	BRACKET CONNECTOR	1
02-006	APRIFC1009AH	P.W. BOARD ASSY - KP-502	1
02-007	NXGP1A73A**01	PT SENSOR GP1A73A (FS-1700)	1
02-007	NXGP1A73A**01	PT SENSOR GP1A73A (FS-3700)	1
02-008	MW161LD025	SPRING ACTIVATOR	1
02-009	AVROLL*029	FEED ROLL ASSY	1
02-010	VT443DW001	PIN SIZE SELECT	1
02-011	MW241LD012	SPRING SIZE SELECT	1
02-012	ACCNPR2GEA	CONN CORD S02013	1
02-013	MX644SL003	BRACKET INLET	1
02-014	VX742SB005	ROD INTERLOCK	1
02-015	MW451LD001	SPRING INTERLOCK	1
02-016	VX764SB005	COVER HV	1
02-017	MX665LD001	PLATE TC CONTACT	1
02-018	VB865CB005	FRAME MID	1
02-019	MT766SN004	SHAFT M/P	1
02-020	VX433SB005	ACTUATOR MANUAL	1
02-021	VM176DB012	BUSH POM B	1
02-022	YYAFAAM01**01	CLUTCH FEED	1
02-023	MX542LD001	PLATE MC CONTACT	1
02-024	ML232LD003	PLATE LOCK DLP	1
02-025	MX322LD013	PLATE HI MEG A	1
02-026	MX654LD002	PLATE HI MED B	1
02-027	VX321SB016	LEVER BOTTLE	1
02-028	MW241LD014	SPRING LEVER BOTTLE	1
02-029	MM311SZ001	PIN HV CONTACT	1
02-030	MW311LD003	SPRING HV CONTACT	1
02-031	APRIFC1011AH	Drum Relay PWB ASSY - KP-505	1
02-032	AXTR036VDA	TRANS ASSY (FS-1700)	1
02-032	AXTR035VDA	TRANS ASSY (FS-3700)	1
02-033	APRSSC1013AH	SencorPWB - KP-498	1
02-034	APRIFC1010AH	Relay PWB - KP-504	1
02-035	ZNF2402701*01	FAN MOTOR (FS-1700)	1
02-035	ZNF2402502*01	FAN MOTOR (FS-3700)	1
02-036	ACCNPT9GEA	CONN. CORD - S02040	1
02-037	VG137DN014	GEAR IDLE Z25	1
02-038	VX653SB005	BRACKET FD GEAR	1
02-039	VT873DB001	ROLLER FD	1

Ref No.	Part Code	Description	Quantity
02-040	VM162DN004	BUSH FD L	1
02-041	VM162DN005	BUSH FD R	1
02-042	VB532SB006	BRACKET LOCK	1
02-043	VX532DH002	LOCK DLP	1
02-044	MW261LJ035	SPRNG LOCK	1
02-045	MX763SL018	BRACKET FAN	1
02-046	AY1700E*47	PLATE EARTH ASSY	1
02-047	VS762KF007	SHEET HI VOLTAGE	1
02-048	VX443SB002	ACTUATIR M/P	1
02-049	ACCNPQ1GEA	CONN CORD S02002	1
02-054	AY1700E*33	COVER HV ASSY	1
02-055	AY1700E*43	DLP LOCK ASSY	1
02-056	AY1700E*32	MP BRACKET ASSY	1
02-057	AY1700E*31	MP CLUTCH ASSY	1

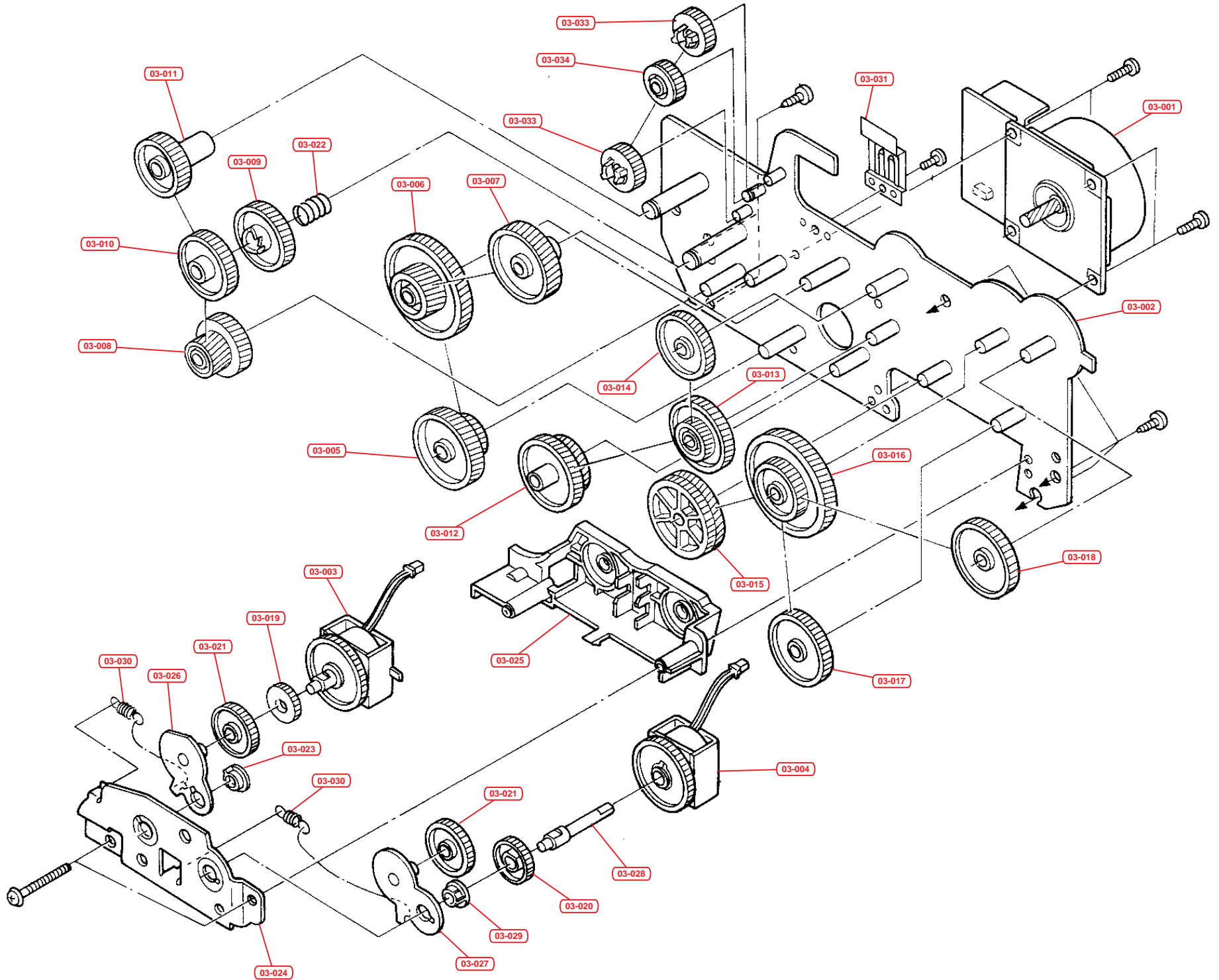
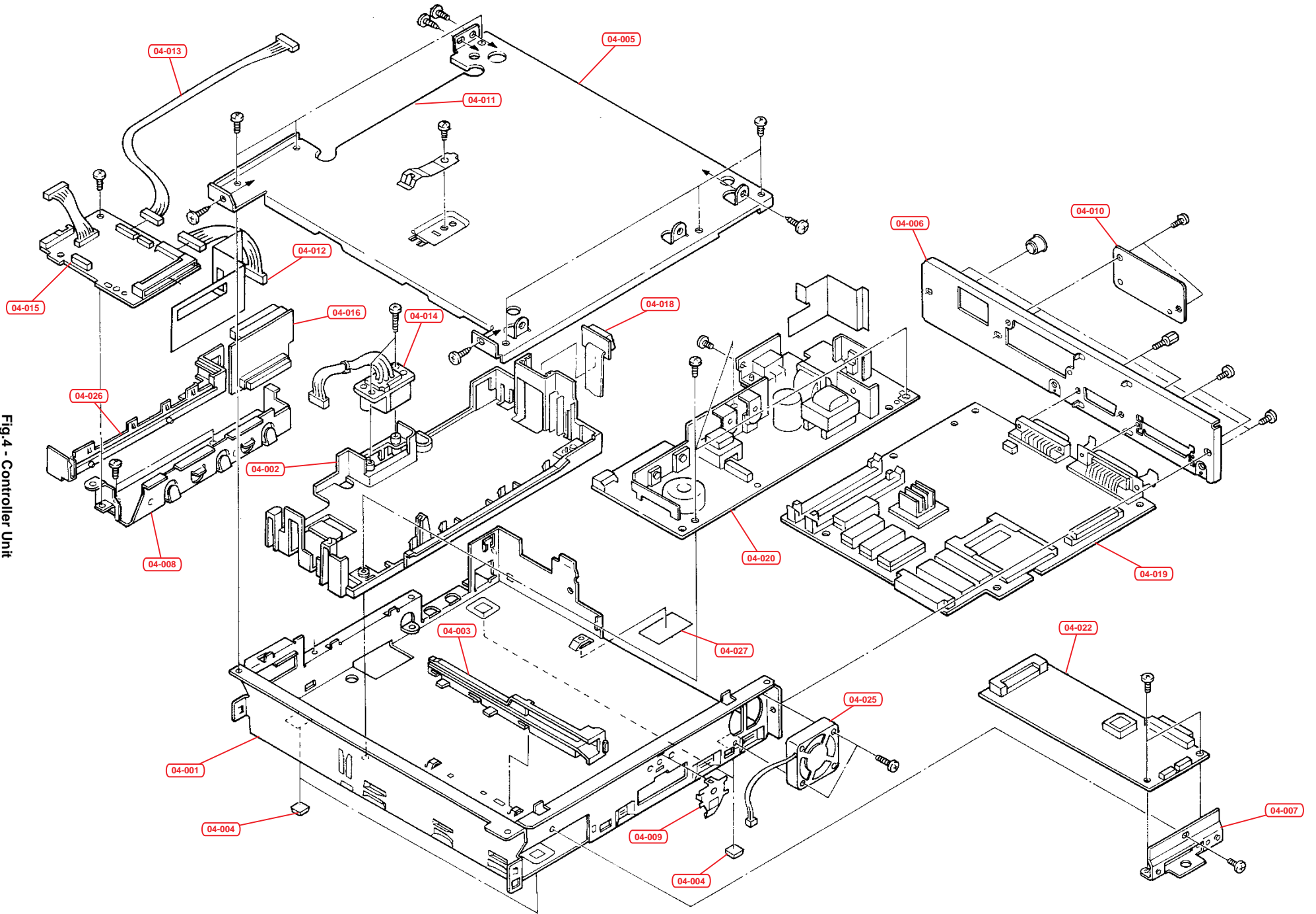


Fig.3 - Drive Unit

Ref No.	Part Code	Description	Quantity
03-000	AY1700E*07	DRIVE UNIT (FS-1700)	1
03-000	AY3700E*05	DRIVE UNIT (FS-3700)	1
03-001	AXMT023GEA	MOTOR MAIN (FS-1700)	1
03-001	AXMT024GEA	MOTOR MAIN (FS-3700)	1
03-002	MX873SL006	PLATE DRIVE (FS-1700)	1
03-002	MX873SL007	PLATE DRIVE (FS-3700)	1
03-003	YYALAAK01**01	CLUTCH REGIST	1
03-004	YYAFAAM01**01	CLUTCH FEED	1
03-005	VG169DN013	GEAR Z21H-Z66H	1
03-006	VG169DN012	GEAR Z25H-Z53H	1
03-007	VG158DN012	GEAR Z42H	1
03-008	VG138DN023	GEAR Z20H-Z30H	1
03-009	VG148DN016	GEAR FREE Z34H	1
03-010	VG148DN017	GEAR FREE Z37S	1
03-011	VG148NN004	GEAR Z34S	1
03-012	VG169DN014	GEAR Z26H-Z63H	1
03-013	VG158DN013	GEAR Z23H-Z41H	1
03-014	VG148DN019	GEAR Z23H-Z41H	1
03-015	VG158DN014	GEAR Z43H-Z45S	1
03-016	VG169DN016	GEAR Z35H-Z57H	1
03-017	VG144DB004	GEAR Z27S-Z28H (FS-1700)	1
03-017	VG138DN024	GEAR Z27S-Z28H (FS-3700)	1
03-018	VG154DN002	GEAR Z44S	1
03-019	VG137DB024	GEAR CLUTCH Z22	1
03-020	VG138DN021	GEAR CLUTCH Z26S	1
03-021	VG138DN022	GEAR Z28S	1
03-022	MW361LD011	SPRING FREE	1
03-023	VM176DB008	BUSHING SBK (FS-1700)	1
03-023	MM176CJ005	BUSHING SBK (FS-3700)	1
03-024	ML754SL001	PLATE CLUTCH	1
03-025	VX633DN002	HOLDER CLUTCH	1
03-026	MX532SL010	PLATE JOINT R	1
03-027	MX532SL011	PLATE JOINT F	1
03-028	MT565SN003	SHAFT CLUTCH F	1
03-029	VM176DB008	BUSHING STOP	1
03-030	MW261LD006	SPRING JOINT	1
03-031	MX431LD004	PLATE EARTH DRIVE	1
03-032	VG122DN003	GEAR Z18H	1
03-033	VG122NN003	GEAR Z18H	1
03-034	VG122NN001	GEAR JOINT Z17H	1

Fig.4 - Controller Unit



Ref No.	Part Code	Description	Quantity
04-001	MB886SL017	BOX CONTROLLER	1
04-002	VX876CB003	CASE PWB POWER	1
04-003	VX852CN001	RAIL PWB ENGINE	1
04-004	VX221RB005	FOOT	1
04-005	MS886SL009	LID CONTROLLER	1
04-006	MS867SL007	PANEL REAR	1
04-007	MX642SL010	PANEL ENGINE	1
04-008	MX844SL002	COVER CONTROLLER	1
04-009	MX431LD005	PLATE EARTH CONT	1
04-010	MS646SD009	PLATE CONTROLLER	1
04-011	MX622LD001	PLATE RELEASE CONT	1
04-012	ACCNPR6GEA	CONN. CORD - S02017	1
04-013	ACCNPQ8GEA	CONN. CORD - S02009	1
04-014	ACCNPR4GEA	CONN. CORD - S02015	1
04-015	APRIFC2006AH	Connect PWB ASSY - KP-492 (FS-1700)	1
04-015	APRIFC2006BH	Connect PWB ASSY - KP-492 (FS-3700)	1
04-016	APRIFC2007AH	Connect PWB ASSY - KP-494	1
04-018	APRIFC2005AH	Fux PWB ASSY - KP-493	1
04-019	APRLGG4027CH	Main PWB ASSY - KP-498 (FS-1700)	1
04-019	APRLGG4027EH	Main PWB ASSY - KP-498 (FS-3700)	1
04-020	AY1700E*54	SW. POWER SUPPLY UNIT (FS-1700)	1
04-020	AY3700E*28	SW. POWER SUPPLY UNIT (FS-3700)	1
04-022	APRCZG4007AH	Engine PWB ASSY - KP-503 (FS-1700)	1
04-022	APRCZG4007CH	Engine PWB ASSY - KP-503 (FS-3700)	1
04-025	ZNF2405001*01	FAN MOTOR	1
04-026	VL833SH001	COVER CABLE	1
04-027	VS266SB003	SHEET BOX B	1

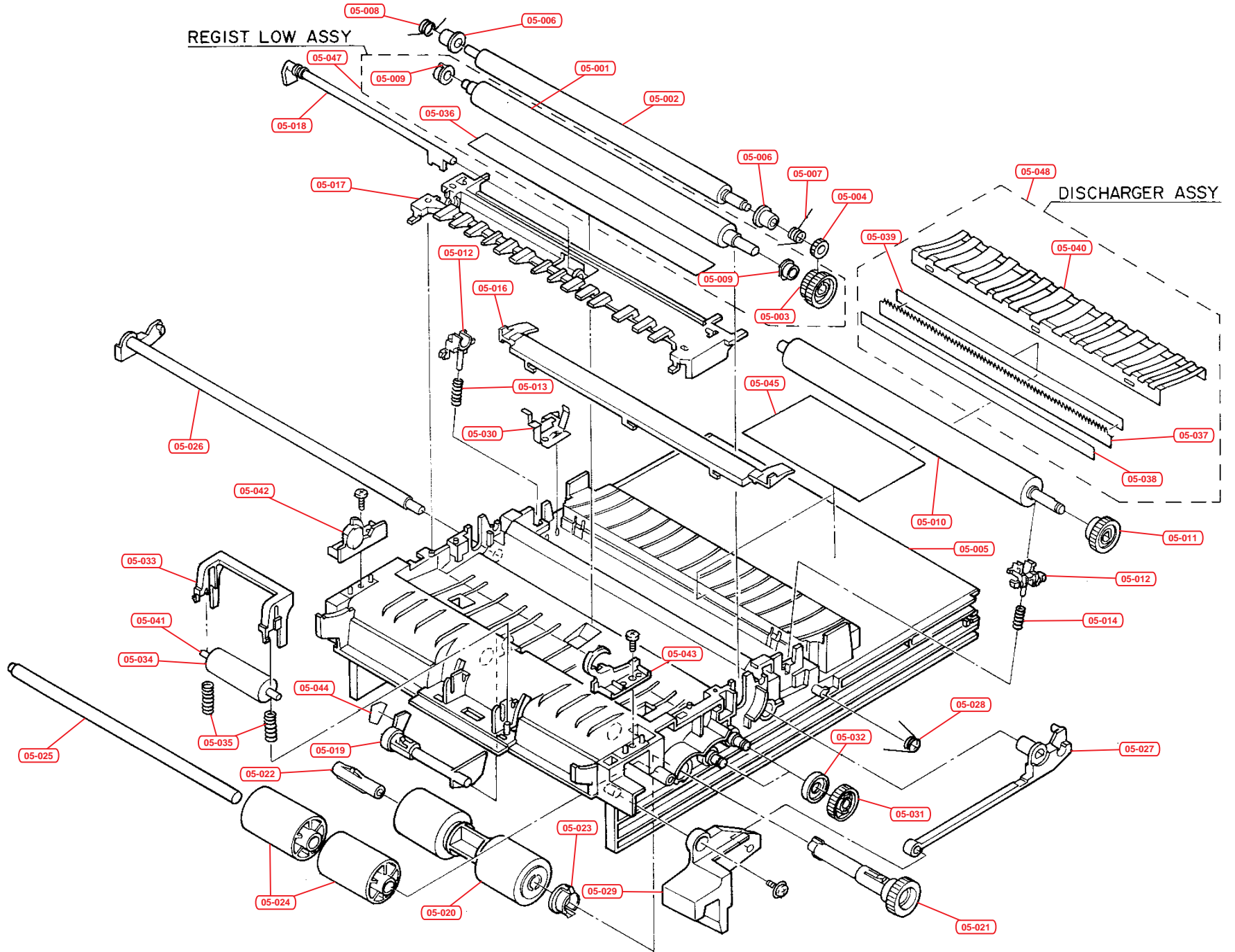
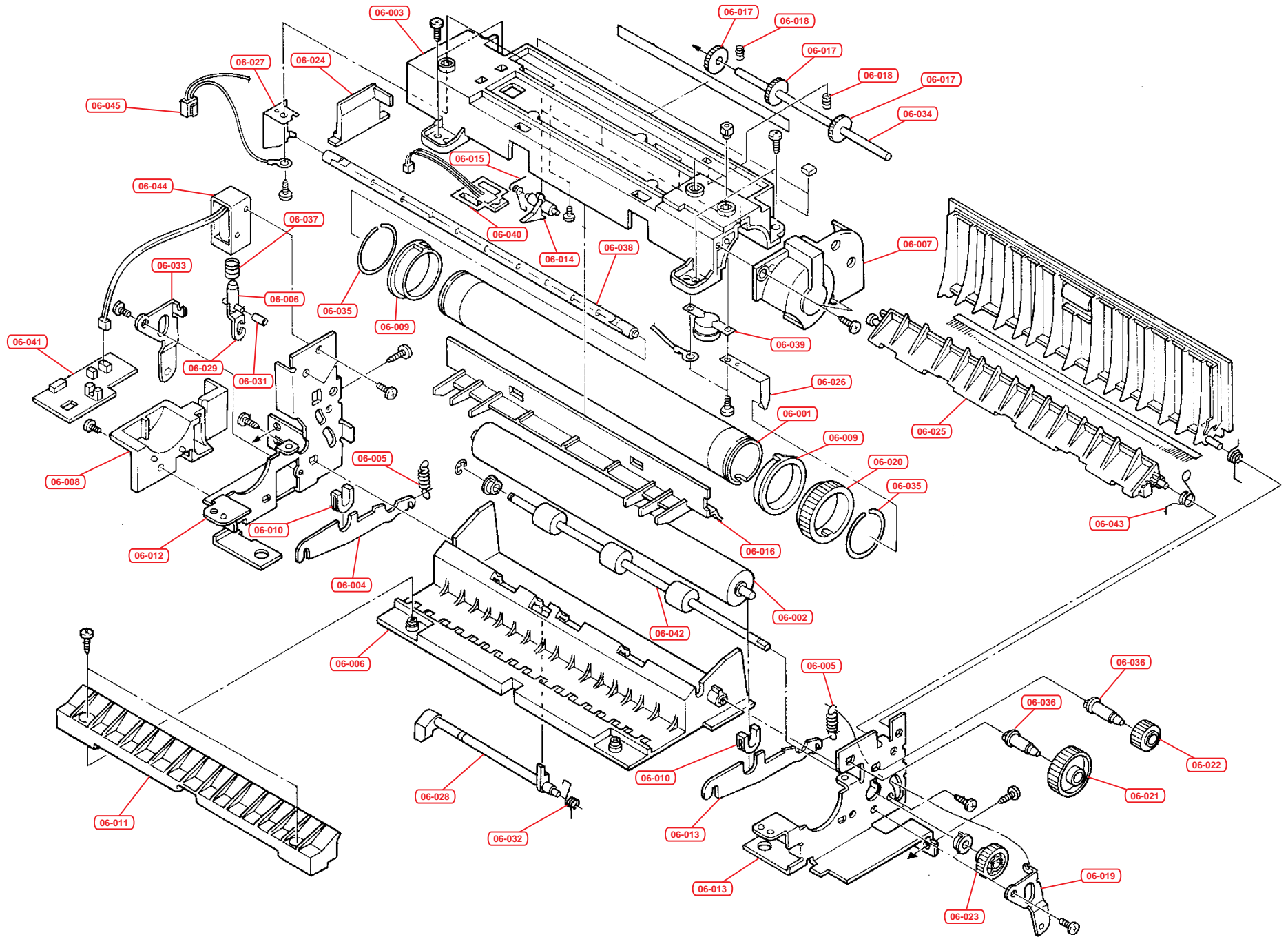


Fig.5 - Feed Unit

Ref No.	Part Code	Description	Quantity
05-000	AY1700E*09	FEED TRANS UNIT	1
05-001	MT876SN046	ROLLER REGIST LOW	1
05-002	MT821SN003	ROLLER REGIST UP	1
05-003	VG148DB032	GEAR REGIST Z24-Z32	1
05-004	VG137DB064	GEAR REGIST Z24	1
05-005	VB886SB007	BASE FEED	1
05-006	VM276DB011	BUSH REGIST A	1
05-007	MW172SX005	SPRING REGIST R	1
05-008	MW172LD008	SPRING REGIST	1
05-009	VM176DN019	BUSH POM A	1
05-010	MT876SN045	ROLLER TRANSFER	1
05-011	VG137DB065	GEAR T/C Z23H	1
05-012	VX331DB007	BUSH TRANSFER	1
05-013	MW241SX004	SPRING TRANS L	1
05-014	MW241SX005	SPRING TRANS R	1
05-016	VX832CB009	PAPER CHUTE	1
05-017	VX863SB011	GUIDE PAPER	1
05-018	VX722SH004	SENSOR DOC	1
05-019	VX652CB001	ACTUATOR CASSETTE	1
05-020	AVROLL*027	FEED ROLL ASSY	1
05-021	VG038DB003	GEAR FEED Z27	1
05-022	VM410DB001	HOLDER ROLLER FEED	1
05-023	VM177DW002	BUSH FEED	1
05-024	VM687DB001	ROLLER GUIDE	1
05-025	MT866SN001	SHAFT FEED	1
05-026	VX842CB006	SHAFT RELEASE	1
05-027	VX731DW001	SHAFT LOCK R	1
05-028	MW161LD023	SPRING HINGE R	1
05-029	VX664SW002	LEVER LOCK	1
05-030	MX533LD002	PLATE EARTH TC	1
05-031	VG138DB060	GEAR IDLE Z26	1
05-032	VM121DB001	COLLER JOINT	1
05-033	VB644SB004	BRACKET M/P ROLL	1
05-034	VM676DB001	ROLLER M/P	1
05-035	MW351LD004	SPRING ROLL M/P	1
05-036	VS822KF006	SHEET REGIST C	1
05-037	MS711LD001	BRUSH DISCHARGER	1
05-038	VS711KF003	SHEET DISCHARGER	1
05-039	MU812AX001	SEAL ADHESIVE	1
05-040	MU862SD003	PLATE PAPER GUIDE	1
05-041	MT633SS001	SHAFT M/P ROLL	1
05-042	VX432DB005	HINGE M/P L	1
05-043	VX432DB006	HINGE M/P R	1
05-044	MS211AX001	SEAL ACTUATOR	1

Ref No.	Part Code	Description	Quantity
05-045	VVL761WN41	LABEL CAUTION FE	1
05-047	AY1700E*55	REGIST LOW ASSY	1
05-048	AY1700E*56	DISCHARGER ASSY	1

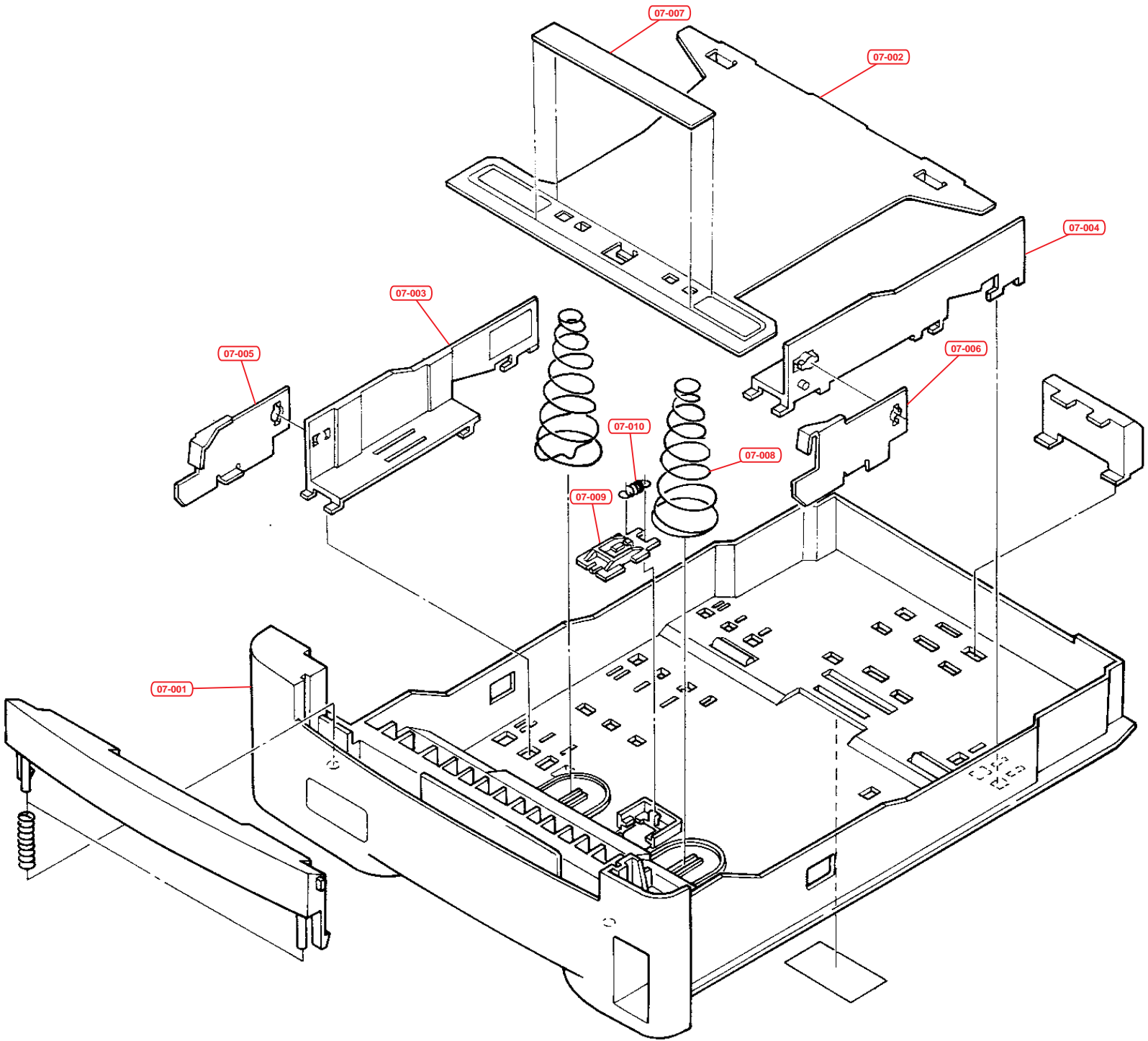
Fig.6 - Fuser Unit



Ref No.	Part Code	Description	Quantity
06-000	FK-20	FUSER KIT (FS-1700)	1
06-000	FK-21	FUSER KIT (FS-3700)	1
06-001	MT888AX013	ROLLER HEAT	1
06-002	MT886SN009	ROLLER PRESS (FS-1700)	1
06-002	MT886SN011	ROLLER PRESS (FS-3700)	1
06-003	VB864KB002	FRAME FUSER UP	1
06-004	MS627SL003	PLATE PRESS	1
06-005	MW251LD004	SPRING PRESS (FS-1700)	1
06-005	MW251LD008	SPRING PRESS (FS-3700)	1
06-006	VX874KB001	FRAME FUSER LOW	1
06-007	VB663KB001	COVER FUSER R	1
06-008	VX644KB001	COVER FUSER L	1
06-009	VM188XN012	BUSH HEAT	1
06-010	VM166XN001	BUSHING PRESS	1
06-011	VX832NB001	PAPER CHUTE FUSER	1
06-012	MX666SL006	PLATE FUSER L	1
06-013	MX666SL007	PLATE FUSER R	1
06-014	VX222XN002	SEPARATOR	1
06-015	MW261LD015	SPRING SEPARATOR	1
06-016	VX832KB002	PLATE FUSER UP	1
06-017	VM176DB010	PULLEY EXIT	1
06-018	MW261LD016	SPRING PULLEY	1
06-019	MX531SL003	PLATE RELEASE R	1
06-020	VG158XN003	GEAR HEAT Z46	1
06-021	VG148XN005	GEAR JOINT Z36	1
06-022	VG127DW004	GEAR IDLE Z16	1
06-023	VG137DW002	GEAR EXIT Z21	1
06-024	VX432KB002	SUPPORT LAMP	1
06-025	VX832CB008	GUIDE CHANGE	1
06-026	ML143RD001	HOLDER LAMP R	1
06-027	MX332RD001	HOLDER LAMP L	1
06-028	VX741CB001	ACTUATOR FUSER	1
06-029	VX311DB009	ACTUATOR SOL	1
06-031	VM111RB002	RUBBER PIN	1
06-032	MW261LD017	SPRING ACTUATOR	1
06-033	MX531SL002	PLATE RELEASE L	1
06-034	MT722SZ001	SHAFT EXIT	1
06-035	MW381SJ001	RING STOP	1
06-036	VT366DB001	PIN FUSER	1
06-037	MW261LJ032	SPRING SOL	1
06-038	ZPB2412520201	LAMP HEATER (FS-1700)	1
06-038	ZPB2413320103	LAMP HEATER (FS-3700)	1
06-039	YFFQ16001Q*01	THERMAL CUT-OUT (FS-1700)	1
06-039	YFFQ17501Q*01	THERMAL CUT-OUT (FS-3700)	1

Ref No.	Part Code	Description	Quantity
06-040	AXTM009GEA	THERMISTOR ASSY	1
06-041	APRIFC1008AH	Fuser PWB ASSY - KP-499 (FS-1700)	1
06-041	APRIFC1008BH	Fuser PWB ASSY - KP-499 (FS-3700)	1
06-042	MT874SN004	ROLLER EXIT	1
06-043	MW361LD010	SPRING CHANGE	1
06-044	ZSA2401020307	SOLENO:D	1
06-045	ACCNPW6GEA	CONN. CORD - S02039/41 (FS-1700)	1
06-045	ACCNPW6GEA	CONN. CORD - S02039/41 (FS-3700)	1
06-046	VVL731WN14	LABEL FUSER CAUTION (FS-1700)	1
06-046	VVL731WN15	LABEL FUSER CAUTION (FS-3700)	1

Fig.7 - Cassette



Ref No.	Part Code	Description	Quantity
07-000	PC-21	PAPER CASSETTE	1
07-001	VB886SH053(A4)	BASE CASSETTE	1
07-002	MS876SL008(A4)	PLATE BOTTOM	1
07-003	VL753SH001	PLATE SIDE L	1
07-004	VL753SH002	PLATE SIDE R	1
07-005	ML641SW001	NAIL L	1
07-006	ML641SW002	NAIL R	1
07-007	VS726XN001	PAD SEPARATOR	1
07-008	MW646LD001	SPRING CASSETTE	1
07-009	VX421DW001	LOCK BOTTOM	1
07-010	MW411LD002	SP STOPPER BOTTOM	1

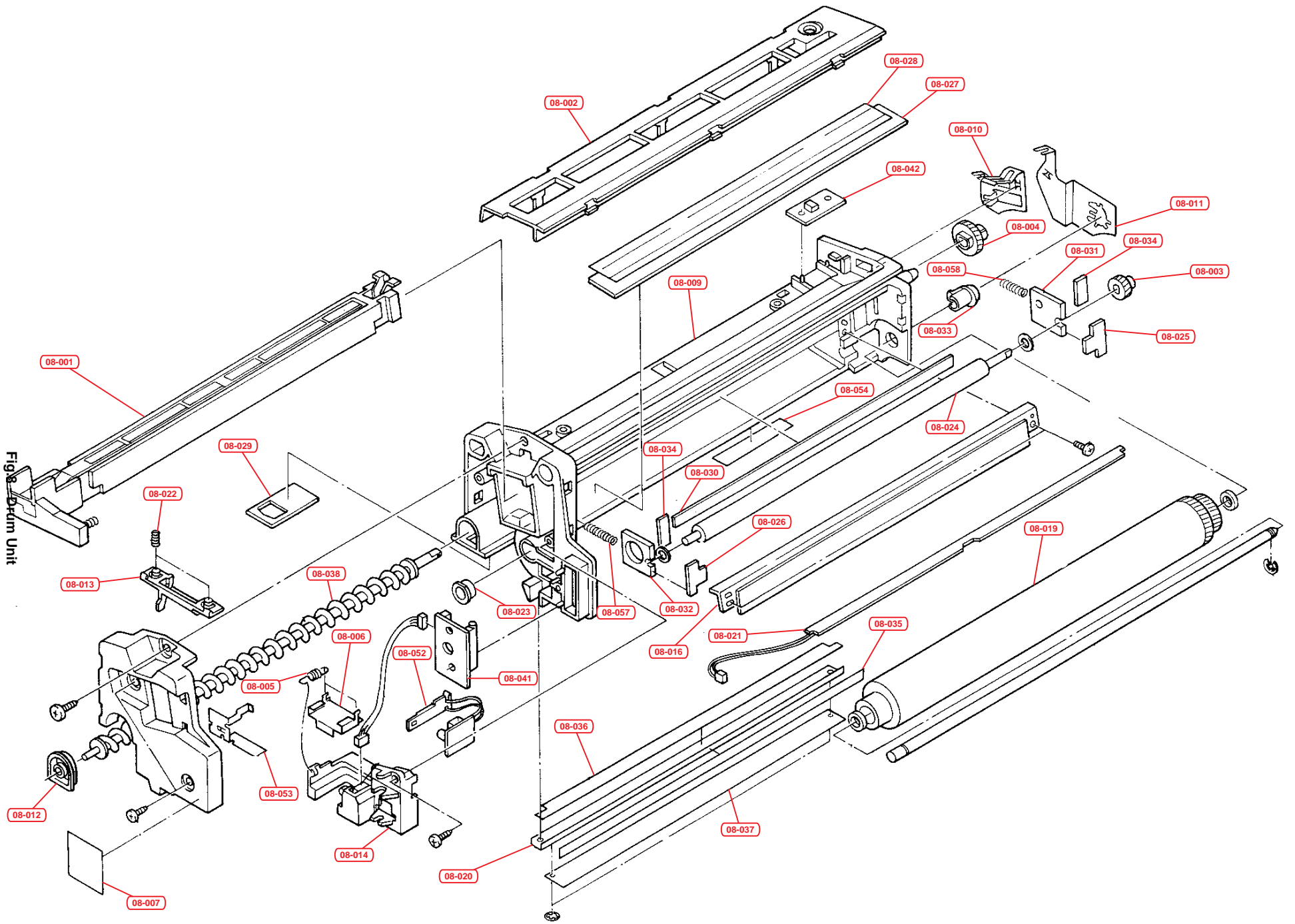


Fig. 8 Drum Unit

Ref No.	Part Code	Description	Quantity
08-000	DK-20	DRUM UNIT (FS-1700)	1
08-000	DK-21	DRUM UNIT (FS-3700)	1
08-001	AY1700E*23	MCH ASSY	1
08-002	VL854SB001	COVER DRUM UP	1
08-003	VG112NN001	GEAR ROLL Z10H	1
08-004	VG137DN001	GEAR SCREW Z21H	1
08-005	MW251SX001	SPRING SHUTTER	1
08-006	MC231LD002	SHUTTER WASTE	1
08-007	VB663SB028	COVER DRUM LEFT	1
08-008	VB662SB026	COVER DRUM RIGHT	1
08-009	VB866CB004	FRAME DRUM	1
08-010	MX332LD007	PLATE ZENNER	1
08-011	MX552LD002	PLATE EARTH DRUM	1
08-012	VM122DN001	BUSH SCREW	1
08-013	VX621SB008	LOCK MCH	1
08-014	VX644SC001	BRACKET SENSOR	1
08-015	VX421SB017	SLIDER WASTE	1
08-016	AVBLADE025	BLADE ASSY	1
08-017	VX422SN001	LINK WASTE	1
08-018	MW351LD003	SPRING WASTE	1
08-019	AY1700E*24	DRUM ASSY	1
08-020	ML821LD006	BRACKET SHEET	1
08-021	AXLD028GEA	LED ASSY	1
08-022	MW154LD004	BRACKET SHEET	1
08-023	VM176DN016	BUSH A	1
08-024	MT864XN001	ROLL CLN	1
08-025	VS428LN007	SEAL DRUM RIGHT	1
08-026	VS428LN008	SEAL DRUM LEFT	1
08-027	VS821MN001	SEAL SCRAPER	1
08-028	VS821SN001	SHEET SCRAPER	1
08-029	VS628LN001	SEAL SHUTTER	1
08-030	VS818MN002	SEAL BLADE LONG	1
08-031	VQ321XN003	BUSH CLEANER RIGHT	1
08-032	VQ321XN004	BUSH CLEANER LEFT	1
08-033	VF276CB001	BUSH DRUM RIGHT	1
08-034	VS218RN010	SEAL BLADE	1
08-035	VS811RN004	SHEET ROLL	1
08-036	VS812XN001	TAPE ADHESIVE	1
08-037	VS822KB002	SHEET DRUM LOW	1
08-038	VT876CB005	SCREW CLEANER	1
08-039	VS218RN010	SEAL BLADE	1
08-040	MW141LD013	SPRING ROLL R	1
08-041	APRIFC1012AH	PWB ASSY (FS-1700)	1
08-041	APRIFC1012AH	PWB ASSY (FS-3700)	1

Ref No.	Part Code	Description	Quantity
08-042	APRIFC1047H	PWB ASSY - KP-501	1
08-052	VS418SB001	SPACER LED	1
08-053	MX522LD010	PLATE EARTH A	1
08-054	MS621AX003	SHEET HEAT DRUM	1
08-056	VVL331WN13	LABEL DRUM	1
08-057	MW141SX015	SPRING ROLL 0.8	1
08-058	MW141SX003	SPRING ROLL 1.4	1

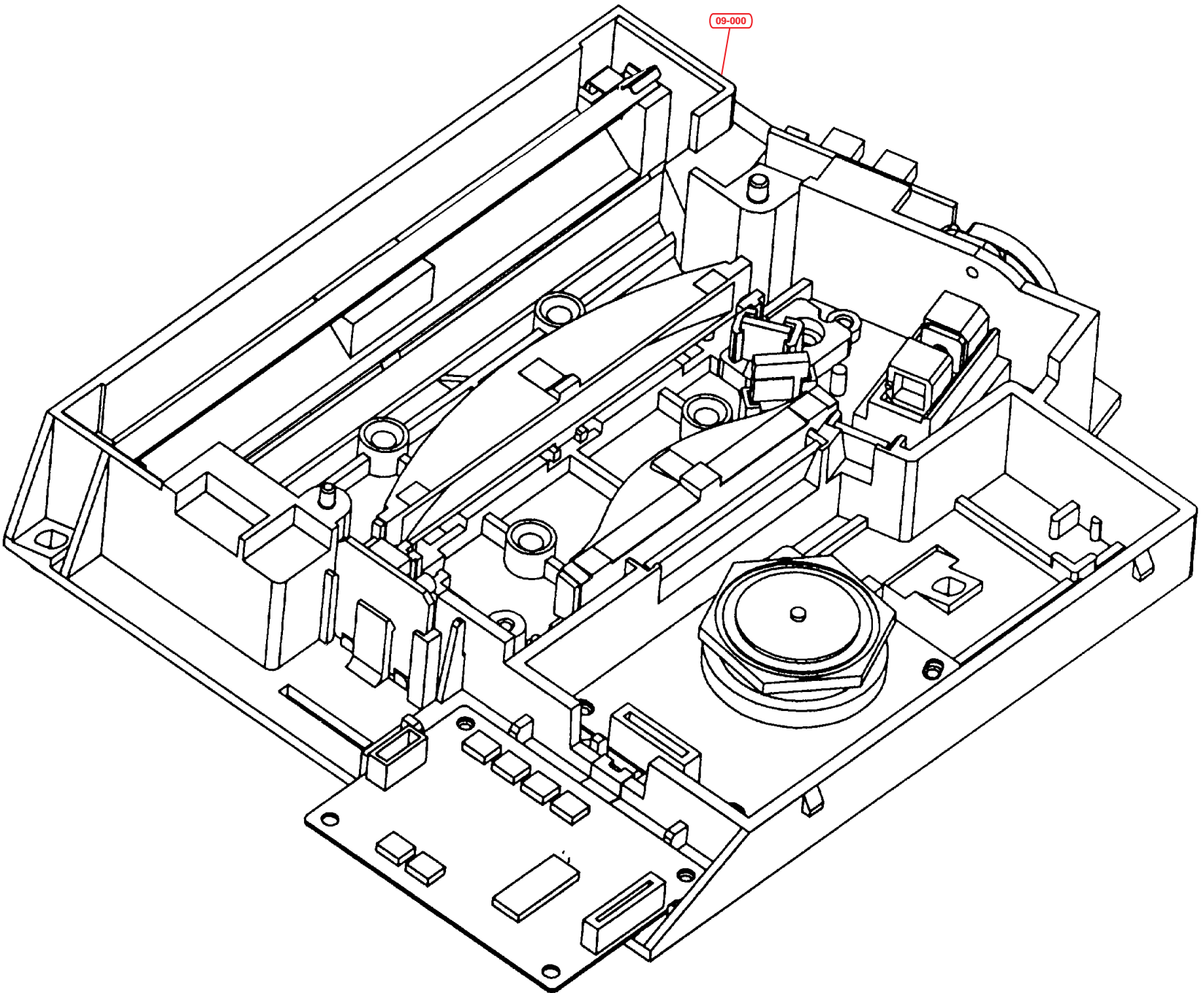
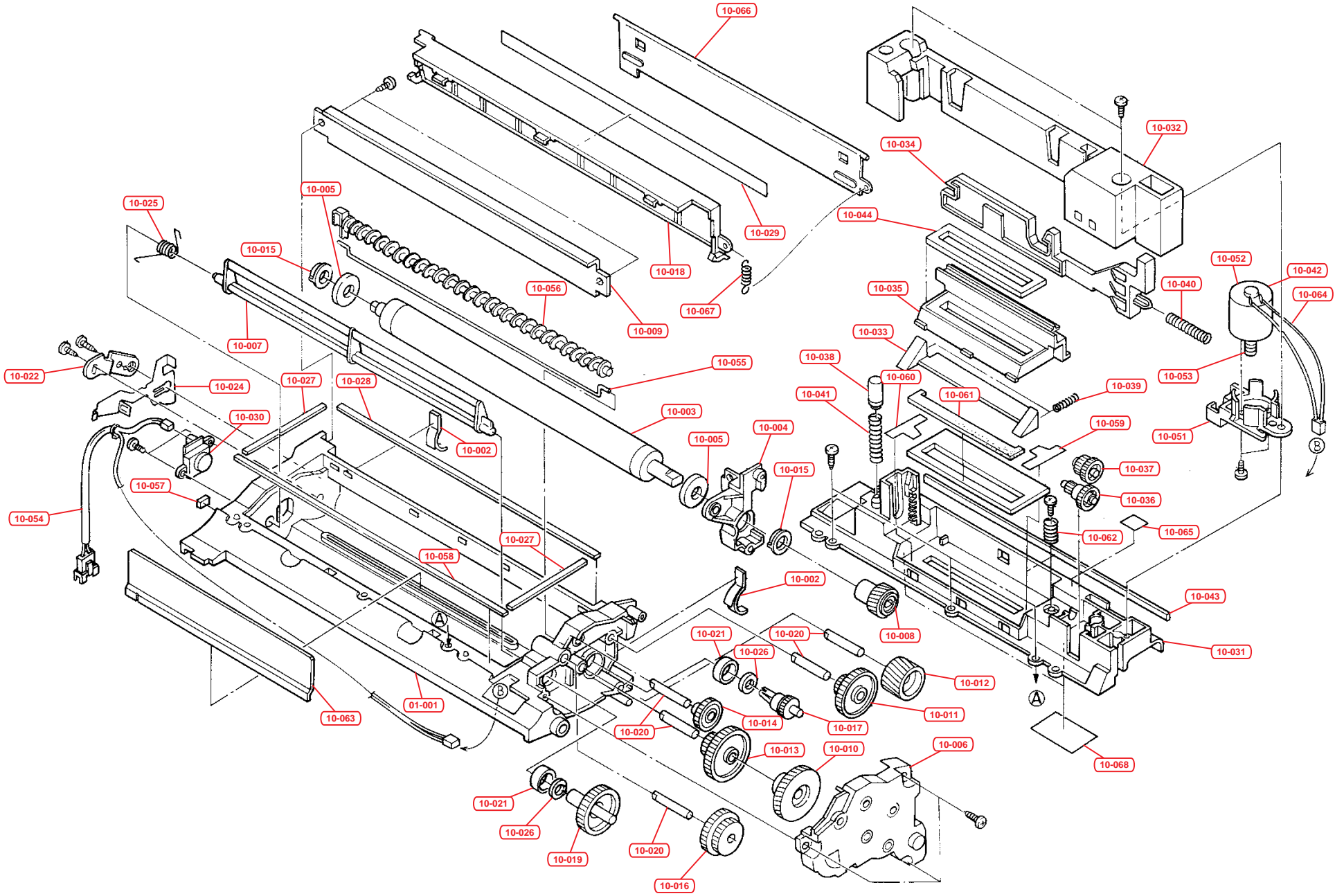


Fig.9 - Scanner Unit

Ref No.	Part Code	Description	Quantity
09-000	LK-20	SCANNER UNIT (FS-1700)	1
09-000	LK-21	SCANNER UNIT (FS-3700)	1
09-001		POLYGON MOTOR ASSY	1
09-002		LASER MODULE ASSY	1
09-003		COLLIMATE LENS ASSY	1
09-004		ADJUST PD ASSY	1
09-005		CYLINDRICAL LENS	1
09-006		F LENS A	1
09-007		F LENS B	1
09-008		SOS LENS	1
09-009		MIRROR A	1
09-010		GLASS	1
09-011		GLASS A	1
09-012		GLASS B	1
09-013		FRAME SCANNER	1
09-014		FRAME SCANNER	1
09-015		SPRING MIRROR	1
09-016		P.W. BOARD ASSY - PD	1
09-017		P.W. BOARD ASSY	1
09-018		CONN. CORD	1
09-019		GLASS A	1
09-020		GLASS B	1
09-021		SEAL POLYGON	1

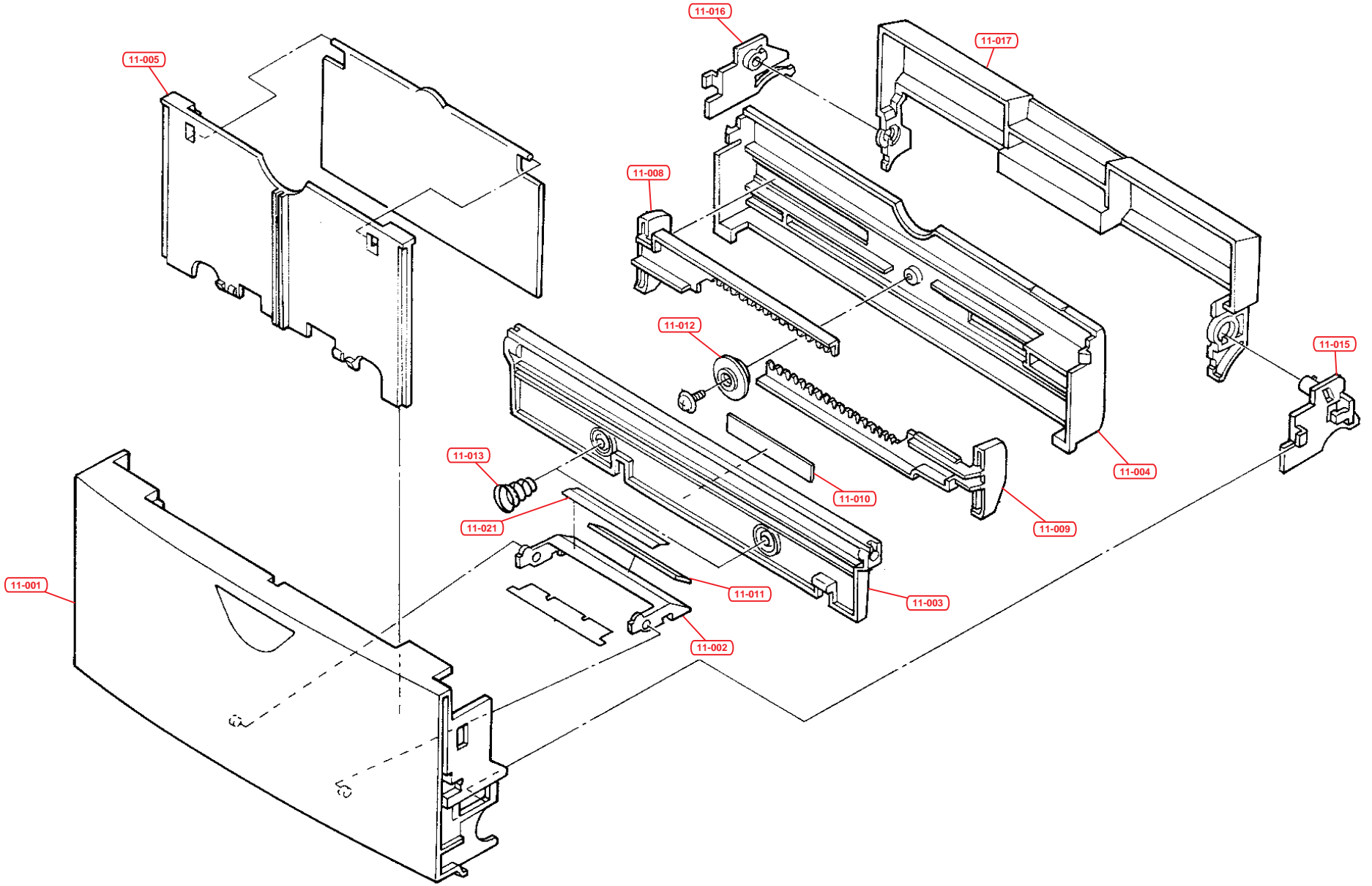
Fig.10 - Developer Unit



Ref No.	Part Code	Description	Quantity
10-000	DV-20	DEVELOPER UNIT (FS-1700)	1
10-000	DV-21	DEVELOPER UNIT (FS-3700)	1
10-001	VB876SB011	CASE DLP	1
10-002	VS518XF001	SEAL SIDE DLP	1
10-003	AVROLLER029	ROLLER MAGNET	1
10-004	VX643SB007	HOLDER MAG	1
10-005	VM187DB007	PULLEY DLP	1
10-006	VB663SB032	COVER SIDE R	1
10-007	VX821SB006	SCRAPER DLP A	1
10-008	VG127DB041	GEAR Z19H	1
10-009	ML831LD004	BLADE DLP	1
10-010	VG148DB033	GEAR Z18S-Z39H	1
10-011	VG148DB034	GEAR Z36S-Z14S	1
10-012	VG138DB061	GEAR Z23H	1
10-013	VG148DB037	GEAR Z40S-Z14S	1
10-014	VG137DB066	GEAR Z23S	1
10-015	VM170XN002	BUSH MAG	1
10-016	VG148DB038	GEAR Z34S-Z20S	1
10-017	VG127DB042	GEAR SCRAPER Z20S	1
10-018	VB843SB001	COVER MAG	1
10-019	VG148DB039	GEAR SCRAPER Z35S	1
10-020	MT455SZ002	PIN DLP	1
10-021	VM177XN004	BUSH SCRAPER	1
10-022	VZ222SB001	CAP MAG L	1
10-024	MX631LD002	PLATE BIAS	1
10-025	MW161LD026	SPRING SENSOR	1
10-026	VS708XF001	SEAL SCRAPER	1
10-027	VS618RF014	SEAL CASE A	1
10-028	VS818RF012	SEAL CASE B	1
10-029	VS812RF003	SEAL COVER MAG	1
10-030	NXTSP15A10*01	TONER SENSOR	1
10-031	VX866SB009	LID DLP	1
10-032	VB854SB001	COVER DLP	1
10-033	VX622DB003	SHUTTER DLP	1
10-034	VX751DG001	LEVER DLP	1
10-035	VX652SB010	COVER SHUTTER	1
10-036	VG026DN001	WORM WHEEL H26-Z14	1
10-037	VG137DB056	GEAR IDLE Z30-Z15	1
10-038	VM211SB003	CAP DLP	1
10-039	MW451LJ002	SPRING SHUTTER	1
10-040	MW466SD001	SPRING LEVER	1
10-041	MW461LD007	SPRING LID	1
10-042	AY1700E*38	TONER MOTOR ASSY	1
10-043	VS818RF012	SEAL CASE B	1

Ref No.	Part Code	Description	Quantity
10-044	VS638RF005	SEAL SHUTTER A	1
10-045	VS648RF006	SEAL SHUTTER B	1
10-051	VX544SB001	BRACKET MOTOR	1
10-052	ZND2402601*01	DC MOTOR	1
10-053	VG115DN001	GEAR WORM	1
10-054	ACCNPS2GEA	CONN. CORD - S2023	1
10-055	MW802LD004	SCRAPER DLP B	1
10-056	VT864CB004	SCREW DLP	1
10-057	VS118RF027	SEAL CASE C	1
10-058	VS817RF015	SEAL CASE D	1
10-059	V312KF027	SEAL SHUTTER CL	1
10-060	VS312KF028	SEAL SHUTTER CR	1
10-061	VS618RF015	SEAL SHUTTER D	1
10-062	MW266SB001	SPRING LID B	1
10-063	VS737SB001	SEPARATOR DLP	1
10-064	ACCNPT8GEA	CONN. CORD	1
10-065	VS222KF010	SEAL LID	1
10-066	VX831SB004	COVER SLEEVE	1
10-067	MW141LJ007	SPRING COVER SLV	1
10-068	VS751KF002	SEAL LID DLP	1

Fig.11 - Multi Feed Unit



Ref No.	Part Code	Description	Quantity
11-000	AVFEEDRO17	MPF ASSY	1
11-001	VB874SH016	BASE M/P	1
11-002	VX622SH003	SEPARATOR	1
11-003	VB851SH002	BOTTOM M/P A	1
11-004	VB862SH010	BOTTOM M/P B	1
11-005	VX761SH003	TRAY M/P	1
11-008	VX753DH001	GUIDE M/P L	1
11-009	VX753DH002	GUIDE M/P R	1
11-010	VS617WK001	PAD FRICTION	1
11-011	VS617WK002	PAD SSEPARATOR	1
11-012	VG127DH001	GEAR MANUAL	1
11-013	MW371LD003	SPRING BOTTOM	1
11-015	VX421DH001	LOCK M/P L	1
11-016	VX421DH002	LOCK M/P R	1
11-017	VX863SH004	LEVER M/P	1
11-021	ML632LD001	PLATE SEPARATOR A	1
11-022	MS622LD002	PLATE SEPARATOR B	1