



*FS-1010
Laser Printer*

PARTS LIST

Published in July, 2002
FS101070770
842FS1050120

Contents

1. Modules, page 3
2. Enclosures, page 4
3. Upper Frame, page 5
4. Process Unit (PU-40), page 6
5. Drive Unit, page 7
6. Paper Feed Unit, LSU, page 8
7. Fuser Unit, page 9
8. Paper Cassette, page 10
9. Parts List, page 11

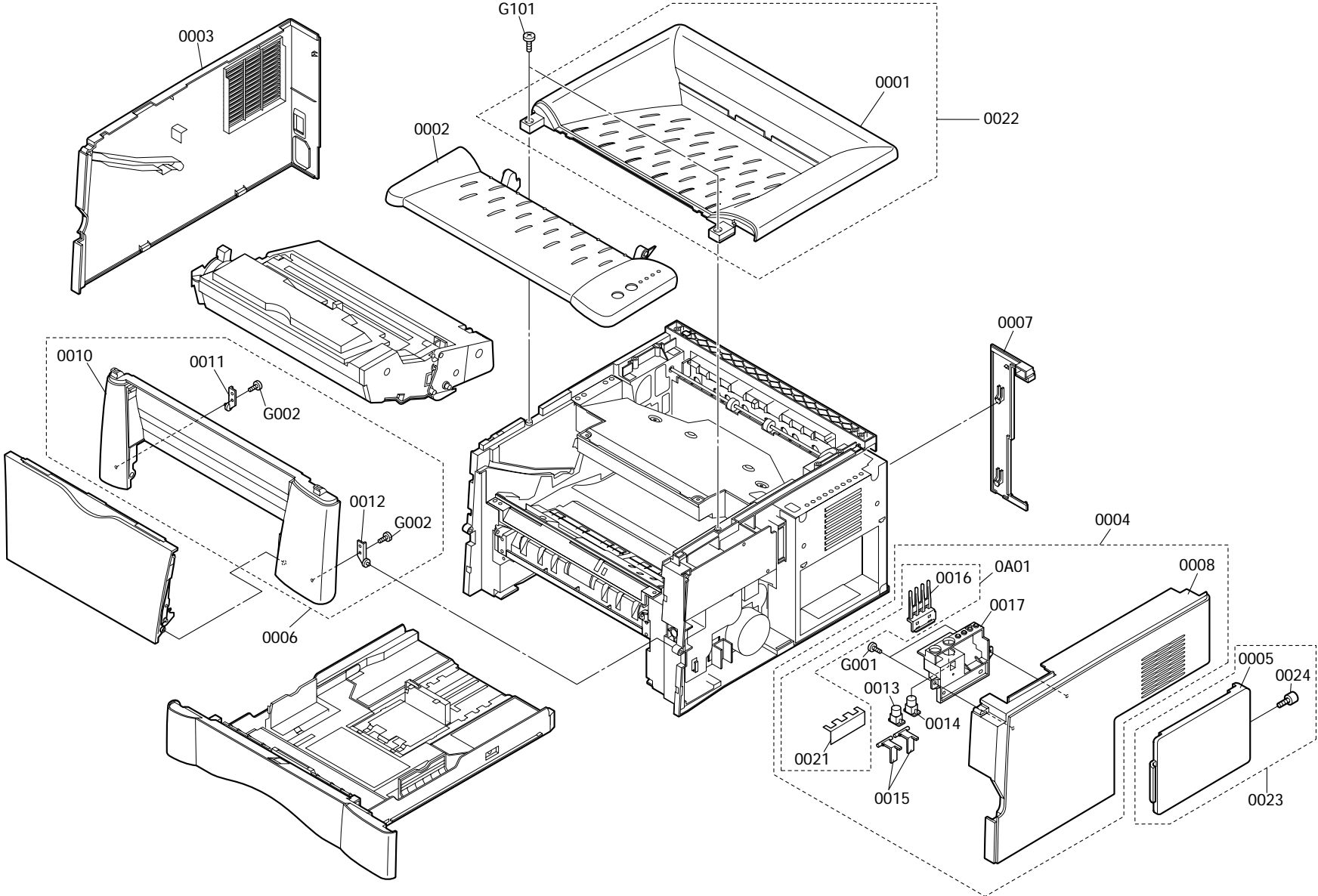
Legends

- ISP = Initial Service Parts
- Twn = Taiwan, Phn=Philippines

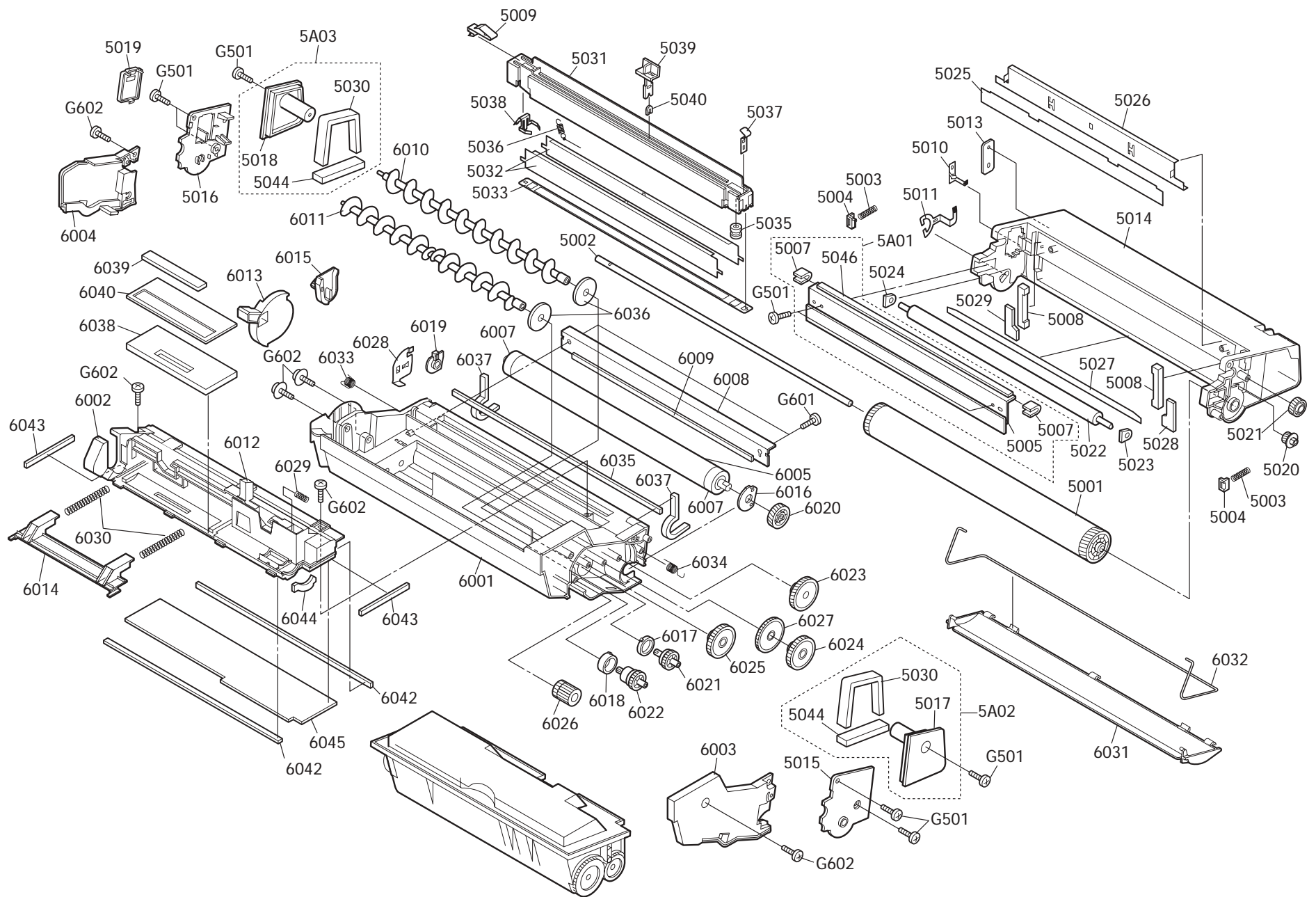
1 - Modules

Ref. No.	Part Number	Alternative #1	Alternative #1	Description	ISP	Q'ty	KMDE	KMA	KMJ	KMTW	Phil.	Remarks
	5PLPXKVAPKX			PU-42 PROCESS UNIT	1	1	Yes	Yes	Yes	Yes	Yes	
	5PLPXKYAPKX		240V	FK-42 FUSER UNIT (E)	1	1	Yes	No	No	No	Yes	
	5PLPXKZAPKX		120V	FK-42 FUSER UNIT (U)	1	1	No	Yes	No	Yes	No	
	5PLPXLAAJKC		100V	FK-42 FUSER UNIT (J)	1	1	No	No	Yes	No	No	
	5PLPXKWAPKX			LK-42 SCANNER UNIT	1	1	Yes	Yes	Yes	Yes	Yes	
	5PLPXXAPKX			DR-42 DRIVE UNIT	1	1	Yes	Yes	Yes	Yes	Yes	
	5PLPXU5AEKX			MC-40 MCH ASSY	1	1	Yes	Yes	Yes	Yes	Yes	
	5PLPXU6AEKX			PC-40 CASSETTE ASSY A4	1	1	No	No	Yes	No	No	
	5PLPXLBAPKX			PC-42 CASSETTE ASSY A4	1	1	Yes	No	No	Yes	No	
	5PLPXMLAPKX			PC-42 CASSETTE ASSY LTR	1	1	No	Yes	No	No	Yes	

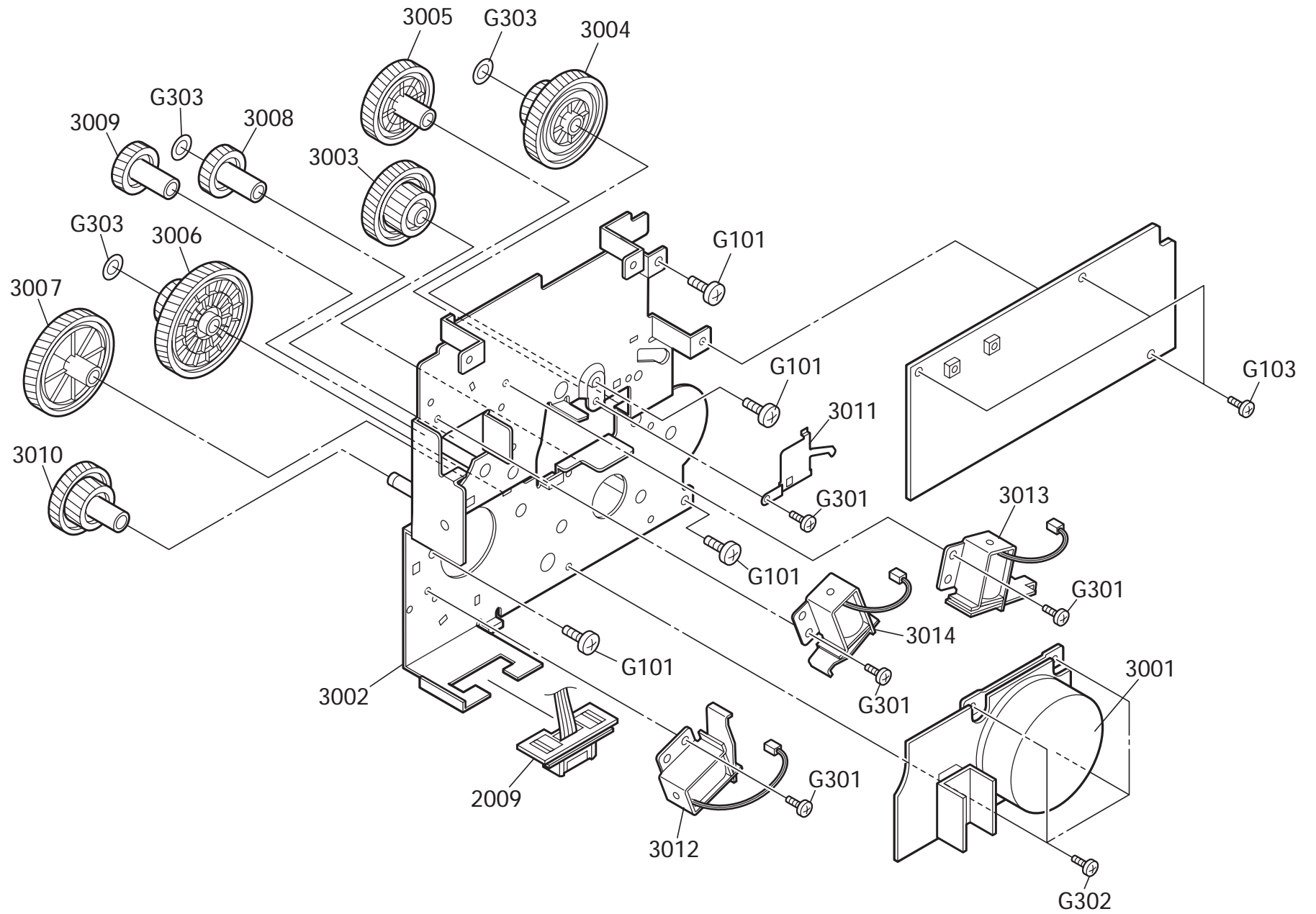
2 - Enclosures



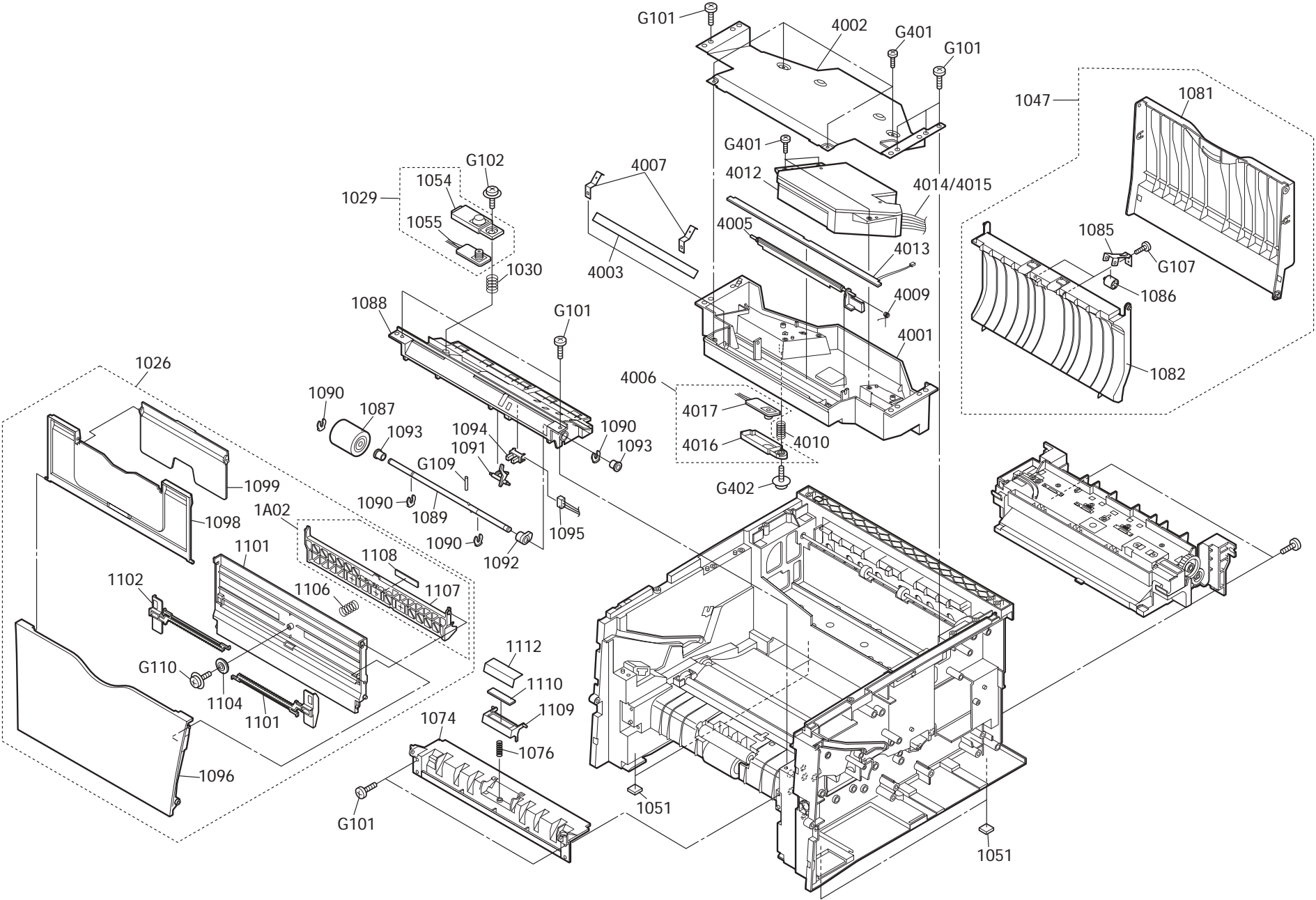
4 - Process Unit (PU-40)



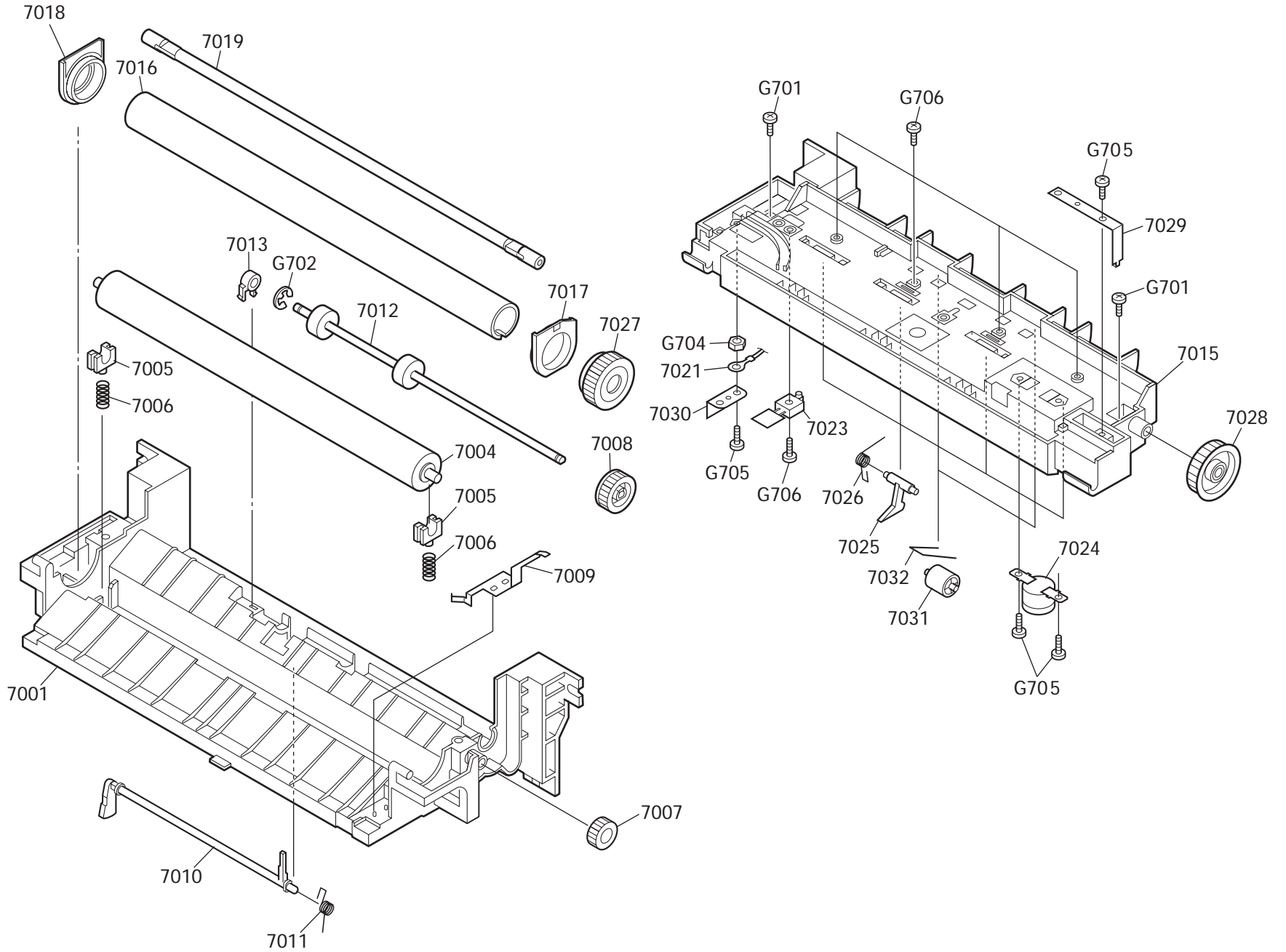
5 - Drive Unit



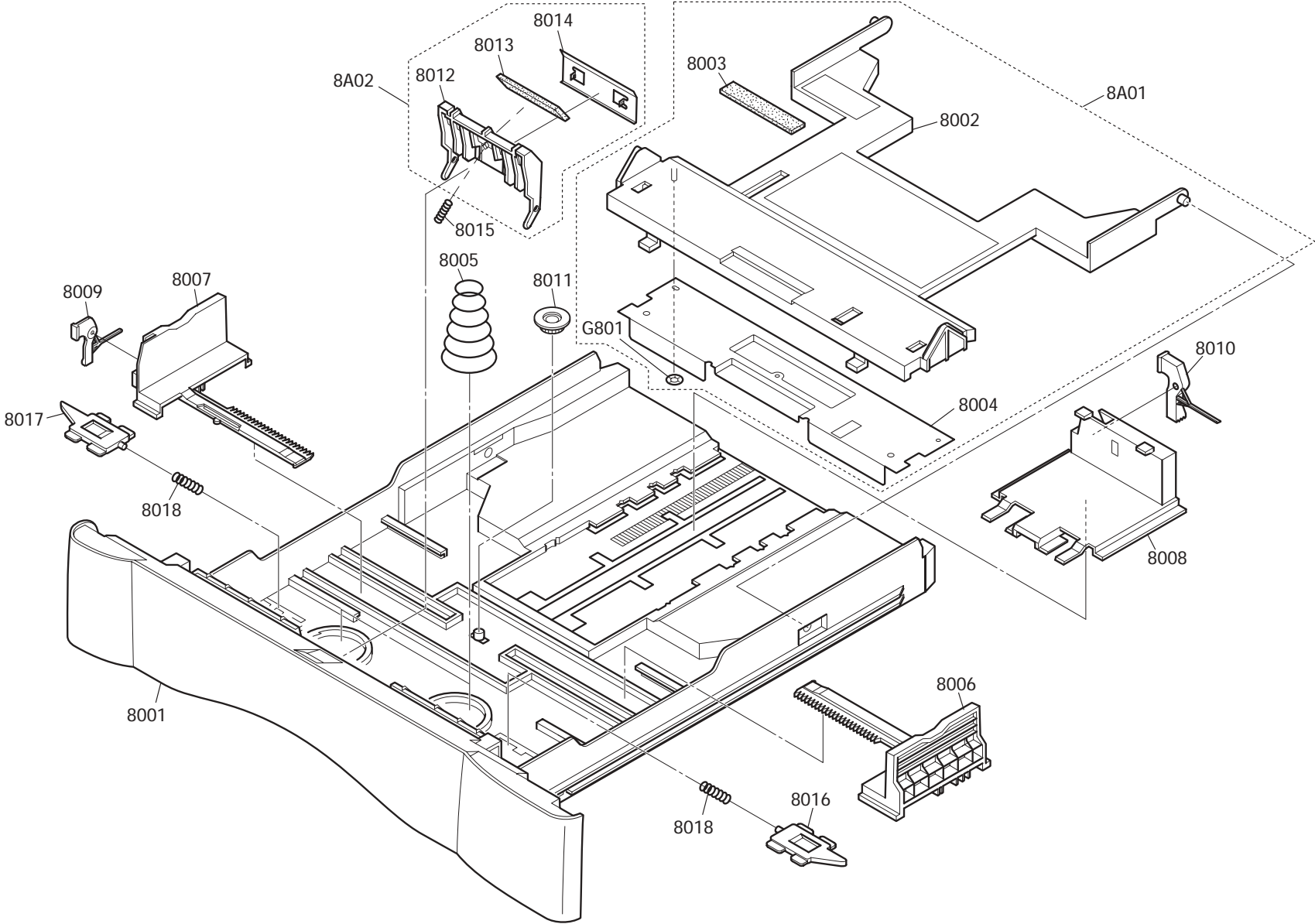
6 - Paper Feed Unit, Laser Scanner Unit



7 - Fuser Unit



8 - Paper Cassette



9 - Parts List

0000-0999

Ref. No.	Part Number	Alternative #1	Alternative #1	Description	ISP	Q'ty	KMDE	KMA	KMJ	KMTW	Phil.	Remarks
0001	5MVB886CH008			COVER TOP		1	Yes	Yes	Yes	Yes	Yes	
0001	5MVB886CH013			COVER TOP		1	No	No	No	No	No	
0002	5MVB876CH013			LID TOP	1	1	Yes	Yes	Yes	Yes	Yes	
0002	5MVB876CH015			LID TOP	1	1	No	No	No	No	No	
0003	5MVB886CH009			COVER LEFT	1	1	Yes	Yes	Yes	Yes	Yes	
0004	5AAY3010E+27			COVER RIGHT ASSY	1	1	Yes	Yes	Yes	Yes	Yes	
0004	5AAY87CH+12			COVER RIGHT ASSY	1	1	No	No	No	No	No	
0005	5MVB773CH001			COVER DIMM	1	1	Yes	Yes	Yes	Yes	Yes	
0006	5AAY3010E+28			COVER FRONT ASSY	1	1	No	No	No	No	No	
0006	5AAY88E++11			COVER FRONT ASSY	1	1	No	No	No	No	No	
0006	5AAY87CH+11			COVER FRONT ASSY	1	1	No	No	No	No	No	
0006	5AAY93E++08			COVER FRONT ASSY	1	1	No	No	No	No	No	
0006	5AAY94E++06			COVER FRONT ASSY	1	1	Yes	Yes	Yes	Yes	Yes	
0007	5MVB851SH003			COVER REAR SIDE	1	1	Yes	Yes	Yes	Yes	Yes	
0008	5MVB885CH004			COVER RIGHT		1	Yes	Yes	Yes	Yes	Yes	
0010	5MVB875CH001			COVER FRONT		1	No	No	No	No	No	
0010	5MVB875CH003	5MVB875CH004		COVER FRONT		1	No	No	No	No	No	
0010	5MVB875CH004			COVER FRONT		1	No	No	No	No	No	
0010	5MVB875CH008			COVER FRONT		1	No	No	No	No	No	
0011	5MVX422DN005			HINGE FRONT L		1	Yes	Yes	Yes	Yes	Yes	
0012	5MVX422DN006			HINDE FRONT R		1	Yes	Yes	Yes	Yes	Yes	
0013	5MVX444SH001			BUTTON A		1	Yes	Yes	Yes	Yes	Yes	
0014	5MVX444SH002			BUTTON B		1	Yes	Yes	Yes	Yes	Yes	
0015	5MVX322SN002			LEVER BUTTON		1	Yes	Yes	Yes	Yes	Yes	
0017	5MVB764SH013			HOLDER PANEL		1	Yes	Yes	Yes	Yes	Yes	
0022	5AAY3010E+46			COVER TOP ASSY		1	Yes	Yes	Yes	Yes	Yes	
0022	5AAY93E++16			COVER TOP ASSY		1	No	No	No	No	No	
0023	5AAY3010E+47			COVER DIMM ASSY		1	Yes	Yes	Yes	Yes	Yes	
0024	5MMT263SN012			SCREW OP		1	Yes	Yes	Yes	Yes	Yes	
0024	5MMT263SN012			SCREW OP		2	No	No	No	No	No	
0025	5MVS825LD001			DISCHARGER FD		1	Yes	Yes	Yes	Yes	Yes	
0025	5MVS711XF003			DISCHARGER FD		2	No	No	No	No	No	
0026	5MMX761LD002			PLATE SHIELD		1	Yes	Yes	Yes	Yes	Yes	
0032	5MVX763CH001			COVER PANEL		1	No	No	No	No	No	
0035	5AAPRKBC2003AH		KP-886	P.W.BOARD ASSY		1	No	No	No	No	No	
0036	5MVS632KN004			SHEET LED		1	No	No	No	No	No	
0037	5MVX322CW001			SHEET TOP		1	No	No	No	No	No	
0038	5MVB764SH016			COVER PANEL RIGHT		1	No	No	No	No	No	
0A01	5AAY3010E+51			GUIDE LED KIT		1	Yes	Yes	Yes	Yes	Yes	

1000–1999 (Sheet 1 of 3)

Ref. No.	Part Number	Alternative #1	Alternative #1	Description	ISP	Q'ty	KMDE	KMA	KMJ	KMTW	Phil.	Remarks
1001	5MVB888CB002			FRAME BASE	1		No	No	No	No	No	
1002	5MVB874CH002			COVER PWB	1		Yes	Yes	Yes	Yes	Yes	
1003	5MVX721DN001			LEVER INTERLOCK	1		Yes	Yes	Yes	Yes	Yes	
1006	5MMW351LD006			SPRING INTERLOCK	1		Yes	Yes	Yes	Yes	Yes	
1007	5MML622LD003			PLATE EARTH JOINT	1		Yes	Yes	Yes	Yes	Yes	
1008	5AAY3010E+31			EARTH GUIDE ASSY	1		Yes	Yes	Yes	Yes	Yes	
1009	5AAVROLL*044			ROLLER FEED ASSY	1	1	No	No	No	No	No	B-8700
1009	5AAVROLL+056			ROLLER FEED J ASSY	1	1	Yes	Yes	Yes	Yes	Yes	B-8700
1010	5MMT766SN007			SHAFT FEED	1		Yes	Yes	Yes	Yes	Yes	
1011	5MVM176DN026			BUSH FEED	2		Yes	Yes	Yes	Yes	Yes	
1012	5MVT676DB002			PULLY FEED	1		Yes	Yes	Yes	Yes	Yes	
1013	5MVX432DB009			ACTUATOR REGIST	1		Yes	Yes	Yes	Yes	Yes	
1014	5MVX542DB003			ACTUATOR PE	1		Yes	Yes	Yes	Yes	Yes	
1015	5MMW151LD005			SPRING ACTUATOR REG	1		Yes	Yes	Yes	Yes	Yes	
1017	5AAY3010E+17			ROLLER REGIST ASSY	1		No	No	No	No	No	
1017	5AAYA88E++12			ROLLER REGIST ASSY	1		Yes	Yes	Yes	Yes	Yes	
1018	5MVS822KF013			SHEET REGIST	1		No	No	No	No	No	YC-6046
1118	5MVS722KF008	5MVS622KF012		SHEET REGIST L	1		Yes	Yes	Yes	Yes	Yes	YC-6046
1119	5MVS622KF010	5MVS622KF011		SHEET REGIST R	1		Yes	Yes	Yes	Yes	Yes	YC-6046
1120	5MVS441KF008			SHEET REGIST SW	1		Yes	Yes	Yes	Yes	Yes	YC-6046
1019	5MMX532LD005			CONTACT EARTH REG	1		Yes	Yes	Yes	Yes	Yes	
1020	5MMT876SN074			ROLLER TRANSFER	1	1	Yes	Yes	Yes	Yes	Yes	
1023	5MVG127DB048			GEAR TC Z18	1		Yes	Yes	Yes	Yes	Yes	
1024	5MMX432LD005			CONTACT TRANSFER	1		Yes	Yes	Yes	Yes	Yes	
1025	5MMX331LD003			PLATE EARTH BRUSH	1		Yes	Yes	Yes	Yes	Yes	
1026	5AAY3010E+39			MPF ASSY E	1	1	No	No	No	No	No	
1026	5AAY3010U+10			MPF ASSY U	1	1	No	No	No	No	No	
1026	5AAY1000J+09			MPF ASSY J	1	1	No	No	No	No	No	
1026	5AAYA87CH+04			MPF ASSY CHU	1	1	No	No	No	No	No	
1026	5AAYA88E++07			MPF ASSY E	1	1	Yes	Yes	Yes	Yes	Yes	
1029	5AAY3010E+18			TE SENSOR ASSY	1	1	Yes	Yes	Yes	Yes	Yes	
1030	5MMW261LD036			SPRING TE SENSOR	1		Yes	Yes	Yes	Yes	Yes	
1031	5MMS775SL001			PLATE CONTROLLER	1	1	Yes	Yes	Yes	Yes	Yes	
1032	5MVG148DN045			GEAR Z38H	1	1	Yes	Yes	Yes	Yes	Yes	
1033	5MVG148DN046			GEAR FREE Z40H	1	1	Yes	Yes	Yes	Yes	Yes	
1034	5MVG138DN041			GEAR FREE Z25S	1	1	Yes	Yes	Yes	Yes	Yes	
1035	5MVG148DN047			GEAR Z34S	1	1	Yes	Yes	Yes	Yes	Yes	
1036	5MVG148DN048			GEAR Z40S	1	1	Yes	Yes	Yes	Yes	Yes	
1037	5MVG148DN049			GEAR Z37S	1	1	Yes	Yes	Yes	Yes	Yes	
1038	5MMW271LD010			SPRING FREE	1	1	Yes	Yes	Yes	Yes	Yes	
1039	5MMT364SN003			PIN DRIVE	1	3	Yes	Yes	Yes	Yes	Yes	
1040	5MVB663SB048			COVER CORD	1		Yes	Yes	Yes	Yes	Yes	

1000–1999 (Sheet 2 of 3)

Ref. No.	Part Number	Alternative #1	Alternative #1	Description	ISP	Q'ty	KMDE	KMA	KMJ	KMTW	Phil.	Remarks
1041	5AAVCLTCH015			CLUTCH FEED	1	1	Yes	Yes	Yes	Yes	Yes	
1042	5AAVCLTCH016			CLUTCH REGIST	1	1	Yes	Yes	Yes	Yes	Yes	
1043	5AAVCLTCH017			CLUTCH MPF	1	1	Yes	Yes	Yes	Yes	Yes	
1044	5MVX111DN003			RING STOPPER	1	5	Yes	Yes	Yes	Yes	Yes	
1045	5MMX332LD013			PLATE EARTH MPF		1	Yes	Yes	Yes	Yes	Yes	
1046	5MVX322SB020			ACTUATOR FUSER B		1	Yes	Yes	Yes	Yes	Yes	
1047	5AAY3010E+35			COVER REAR ASSY	1	1	No	No	No	No	No	
1047	5AAY3010E+58			COVER REAR ASSY	1	1	Yes	Yes	Yes	Yes	Yes	
1048	5AAY3010E+36			ROLLER EXIT UP ASSY	1	1	Yes	Yes	Yes	Yes	Yes	
1049	5MVG137DN030			GEAR EXIT Z23 UP	1	1	Yes	Yes	Yes	Yes	Yes	
1050	5MVM176DW001			BUSH EXIT		1	Yes	Yes	Yes	Yes	Yes	
1051	5MVS228RB019			FOOT		4	Yes	Yes	Yes	Yes	Yes	
1052	5EZNF2402403+01			FAN MOTOR	1	1	Yes	Yes	Yes	Yes	Yes	
1053	5AAXTR046VDA			TRANS ASSY	1	1	No	No	No	No	No	
1053	5AAXTR049VDA			TRANS ASSY	1	1	No	No	No	No	No	
1053	5AAXTR052VDA			TRANS ASSY	1	1	Yes	Yes	Yes	Yes	Yes	
1059	5MMT876SN073			ROLLER REGIST LOW		1	Yes	Yes	Yes	Yes	Yes	
1060	5MMT865SN010			ROLLER REGIST UP		1	Yes	Yes	Yes	Yes	Yes	
1061	5MVX221DB019			BUSH REGIST LEFT		1	Yes	Yes	Yes	Yes	Yes	
1062	5MVX221DW006			BUSH REGIST RIGHT		1	Yes	Yes	Yes	Yes	Yes	
1063	5MMW261LD023			SPRING REGIST R		2	Yes	Yes	Yes	Yes	Yes	
1064	5MVG127DB047			GEAR REGIST Z20		1	Yes	Yes	Yes	Yes	Yes	
1065	5MVG126DB025			GEAR REGIST Z13		1	Yes	Yes	Yes	Yes	Yes	
1066	5MVT653DW001			PIN CASSETTE		1	Yes	Yes	Yes	Yes	Yes	
1067	5MMW341LD005			SPRING PIN CASSETTE		1	Yes	Yes	Yes	Yes	Yes	
1068	5MMT365SN003			PIN CONTACT BIAS		1	Yes	Yes	Yes	Yes	Yes	
1069	5MMW361LD015			SPRING PIN BIAS		1	Yes	Yes	Yes	Yes	Yes	
1074	5MVX866SH012			GUIDE TURN		1	Yes	Yes	Yes	Yes	Yes	
1075	5AAY3010E+41			SEPARATOR MPF ASSY	1	1	Yes	Yes	Yes	Yes	Yes	
1076	5MMW261LD038			SPRING SEPA MPF		1	Yes	Yes	Yes	Yes	Yes	
1077	5MVX221DB023			BUSH TC L	1	1	Yes	Yes	Yes	Yes	Yes	
1078	5MMW251LD043			SPRING TC L		1	Yes	Yes	Yes	Yes	Yes	
1079	5MVX221DW008			BUSH TC R	1	1	Yes	Yes	Yes	Yes	Yes	
1080	5MMW261LD034			SPRING TC R		1	Yes	Yes	Yes	Yes	Yes	
1081	5MVB874SH018			COVER REAR		1	Yes	Yes	Yes	Yes	Yes	
1082	5MVB874SH019			TRAY EXIT FU		1	Yes	Yes	Yes	Yes	Yes	
1085	5MMX332LD021			BKT PULLEY FD		1	Yes	Yes	Yes	Yes	Yes	
1086	5MVM273DB005			PULLEY EXIT		1	Yes	Yes	Yes	Yes	Yes	
1087	5AAVROLL*045			ROLLER MPF ASSY	1	1	Yes	Yes	Yes	Yes	Yes	
1088	5MVX854SH002			HOLDER MP FEED		1	Yes	Yes	Yes	Yes	Yes	
1089	5MMT766SN008			SHAFT MPF		1	Yes	Yes	Yes	Yes	Yes	
1090	5MVX111DN003			RING STOPPER		3	Yes	Yes	Yes	Yes	Yes	

1000–1999 (Sheet 3 of 3)

Ref. No.	Part Number	Alternative #1	Alternative #1	Description	ISP	Q'ty	KMDE	KMA	KMJ	KMTW	Phil.	Remarks
1091	5MVX432DB010			ACTUATOR MPF		1	Yes	Yes	Yes	Yes	Yes	
1092	5MVX221DN014			CAM MPF R		1	Yes	Yes	Yes	Yes	Yes	
1093	5MVM176DN026			BUSH FEED		2	Yes	Yes	Yes	Yes	Yes	
1094	5ENXGP1A73A**01			PT SENSOR		1	1	Yes	Yes	Yes	Yes	Yes
1095	5AACCNRM0GEA			CONN.CORD ASSY		1	Yes	Yes	Yes	Yes	Yes	
1096	5MVB872SH018			COVER MPF	E	1	No	No	No	No	No	
1096	5MVB872SH020			COVER MPF	U	1	No	No	No	No	No	
1096	5MVB872SH029			COVER MPF	IBM	1	No	No	No	No	No	
1096	5MVB872SH030			COVER MPF		1	No	No	No	No	No	
1096	5MVB872SH031			COVER MPF CHU		1	No	No	No	No	No	
1098	5MVX861SH004			TRAY MPF A		1	Yes	Yes	Yes	Yes	Yes	
1099	5MVX751SH001			TRAY MPF B		1	Yes	Yes	Yes	Yes	Yes	
1111	5MVM161DW001			BUSH PULLEY FEED		2	Yes	Yes	Yes	Yes	Yes	
1A01	5AAY3010E+45			REGIST KIT		1	1	No	No	No	No	
1A02	5AAY3010E+40			BOTTOM MPF ASSY		1	Yes	Yes	Yes	Yes	Yes	

2000–2999

Ref. No.	Part Number	Alternative #1	Alternative #1	Description	ISP	Q'ty	KMDE	KMA	KMJ	KMTW	Phil.	Remarks
2002	5AAPRCZC2011BH			P.W.BOARD ASSY	ENGINE KP-882	1	1	Yes	No	No	No	No
2002	5AAPRCZC2011CH			P.W.BOARD ASSY	ENGINE KP-882	1	1	No	No	No	No	No
2002	5AAPRCZC2011DH			P.W.BOARD ASSY	ENGINE KP-882	1	1	No	Yes	No	No	Yes
2002	5AAPRCZC2011EH			P.W.BOARD ASSY	ENGINE KP-882	1	1	No	No	Yes	No	No
2002	5AAPRCZC2011FH			P.W.BOARD ASSY	ENGINE KP-882	1	1	No	No	No	Yes	No
2002	5AAPRCZC2011GH	ISPA93CH++03		P.W.BOARD ASSY	ENGINE KP-882	1	1	No	No	No	No	No
2003	5AAPRCZC1008AH			P.W.BOARD ASSY	BIAS KP-783	1	1	No	No	No	No	No
2003	5AAPRCZC1009AH			P.W.BOARD ASSY	BIAS KP-884	1	1	Yes	Yes	Yes	Yes	Yes
2008	5AACCNRL7GEA			CONN.CORD ASSY			1	No	No	No	No	No
2009	5AACCNRM1GEA			CONN.CORD ASSY			1	Yes	Yes	Yes	Yes	Yes
2016	5AAPRLGC2023BH			P.W.BOARD ASSY	MAIN KP-888	1	1	Yes	Yes	Yes	Yes	Yes
2017	5MMX773SL001			PLATE SW REG			1	Yes	Yes	Yes	Yes	Yes
2018	5MVS765KF001			SHEET SW REG			1	Yes	Yes	Yes	Yes	Yes
2019	5AAEZ3010E+1	5AAEZ3010E+2		SWITCHING REGULATOR(E) 240V		1	1	No	No	No	No	No
2019	5AAEZ3010E+1			SWITCHING REGULATOR(E) 240V		1	1	No	No	No	No	No
2019	5AAEZ3010U+1			SWITCHING REGULATOR(U) 120V		1	1	No	No	No	No	No
2019	5AAEZA93E++1			SWITCHING REGULATOR(E) 240V		1	1	Yes	No	No	No	Yes
2019	5AAEZA93U++1			SWITCHING REGULATOR(U) 120V		1	1	No	Yes	Yes	Yes	No

3000–3999 (Sheet 1 of 2)

Ref. No.	Part Number	Alternative #1	Alternative #1	Description	ISP	Q'ty	KMDE	KMA	KMJ	KMTW	Phil.	Remarks
3001	5AAXMT061GEA			MOTOR MAIN for 14PPM		1	1	Yes	Yes	Yes	Yes	Yes
3002	5MMX776SL005			PLATE DRIVE		1	Yes	Yes	Yes	Yes	Yes	

3000–3999 (Sheet 2 of 2)

Ref. No.	Part Number	Alternative #1	Alternative #1	Description	ISP	Q'ty	KMDE	KMA	KMJ	KMTW	Phil.	Remarks
3003	5MVG168DN017			GEAR Z68H-Z21H	1	Yes	Yes	Yes	Yes	Yes	Yes	
3004	5MVG159DN012			GEAR Z48H-Z21H	1	Yes	Yes	Yes	Yes	Yes	Yes	
3005	5MVG148DN044			GEAR Z40H	1	Yes	Yes	Yes	Yes	Yes	Yes	
3006	5MVG169DN032			GEAR Z95H-Z21H	1	Yes	Yes	Yes	Yes	Yes	Yes	
3007	5MVG169DN033			GEAR Z53H	1	Yes	Yes	Yes	Yes	Yes	Yes	
3008	5MVG138DN042			GEAR Z24H	1	Yes	Yes	Yes	Yes	Yes	Yes	
3009	5MVG137DN029			GEAR Z21H	1	Yes	Yes	Yes	Yes	Yes	Yes	
3010	5MVG148DN050			GEAR Z36H-Z21H	1	Yes	Yes	Yes	Yes	Yes	Yes	
3011	5MMX521LD005			PLATE EARTH DRUM	1	Yes	Yes	Yes	Yes	Yes	Yes	
3012	5EZSA2402410301			SOLENOID FEED	1	1	Yes	Yes	Yes	Yes	Yes	
3013	5EZSA2402410401			SOLENOID REGIST	1	1	Yes	Yes	Yes	Yes	Yes	
3014	5EZSA2402410501			SOLENOID MPF	1	1	Yes	Yes	Yes	Yes	Yes	

4000–4999

Ref. No.	Part Number	Alternative #1	Alternative #1	Description	ISP	Q'ty	KMDE	KMA	KMJ	KMTW	Phil.	Remarks
4001	5MVB876CB003			FRAME MIDDLE		1	Yes	Yes	Yes	Yes	Yes	
4002	5MMX875SL005			PLATE LSU		1	Yes	Yes	Yes	Yes	Yes	
4003	5MVQ711GX004			MIRROR EXIT		1	Yes	Yes	Yes	Yes	Yes	
4005	5MVX721SB004			SHUTTER LSU		1	Yes	Yes	Yes	Yes	Yes	
4006	5AAY3010E+26			FULL SENSOR ASSY	1	1	Yes	Yes	Yes	Yes	Yes	
4007	5MMX221LD024			SPRING MIRROR		2	Yes	Yes	Yes	Yes	Yes	
4009	5MMW341LD006			SPRING SHUTTER LSU		1	Yes	Yes	Yes	Yes	Yes	
4010	5MMW261LD040			SPRING FULL SENSOR		1	Yes	Yes	Yes	Yes	Yes	
4011	5MVVL661WN34			LABEL LASER CAUTION		1	Yes	Yes	Yes	Yes	Yes	
4013	5AAPRELR1001AH			P.W.BOARD ASSY	ERASE KP-790	1	1	Yes	Yes	Yes	Yes	49539
4021	5MVS319RF004			SEAL LSU D		1	Yes	Yes	Yes	Yes	Yes	

5000–5999

Ref. No.	Part Number	Alternative #1	Alternative #1	Description	ISP	Q'ty	KMDE	KMA	KMJ	KMTW	Phil.	Remarks
5019	5MVX331PH001			CAP MCH	1	Yes	Yes	Yes	Yes	Yes	Yes	
5034	5MMX632LD006			CONTACT MAIN	1	No	No	No	No	No	No	
5A01	5AAY3010E+52			BLADE KIT	1	Yes	Yes	Yes	Yes	Yes	Yes	
5A02	5AAY3010E+53			COVER DRUM R2 KIT	1	Yes	Yes	Yes	Yes	Yes	Yes	
5A03	5AAY3010E+54			COVER DRUM L2 KIT	1	Yes	Yes	Yes	Yes	Yes	Yes	

6000–6999: Void

7000–7999 (Sheet 1 of 2)

Ref. No.	Part Number	Alternative #1	Alternative #1	Description	ISP	Q'ty	KMDE	KMA	KMJ	KMTW	Phil.	Remarks
7001	5MVX876KB004			FRAME FUSER LOW		1	Yes	Yes	Yes	Yes	Yes	

7000–7999 (Sheet 2 of 2)

Ref. No.	Part Number	Alternative #1	Alternative #1	Description	ISP	Q'ty	KMDE	KMA	KMJ	KMTW	Phil.	Remarks
7004	5MMT876SN075			ROLLER PRESS	1	1	Yes	Yes	Yes	Yes	Yes	
7005	5MVX221XN003			BUSH PRESS	2	2	Yes	Yes	Yes	Yes	Yes	
7006	5MMW261LD037			SPRING PRESS	2	2	Yes	Yes	Yes	Yes	Yes	
7007	5MVG127DN070			GEAR IDLE Z18	1	1	Yes	Yes	Yes	Yes	Yes	
7008	5MVG137DN031			GEAR EXIT Z23	1	1	Yes	Yes	Yes	Yes	Yes	
7009	5MMX665LD004			PLATE EARTH FUSER	1	1	Yes	Yes	Yes	Yes	Yes	
7010	5MVX731CB002			ACTUATOR FUSER A	1	1	Yes	Yes	Yes	Yes	Yes	
7011	5MMW261LD017			SPRING ACTUATOR	1	1	Yes	Yes	Yes	Yes	Yes	
7012	5MMT774SN001			ROLLER EXIT LOW	1	1	Yes	Yes	Yes	Yes	Yes	
7013	5MVX211DB016			BUSH EXIT	1	1	Yes	Yes	Yes	Yes	Yes	
7014	5MVVL731WN14			LABEL FUSER CAUTION	1	1	Yes	Yes	Yes	Yes	Yes	
7015	5MVB863KB003			FRAME FUSER UP	1	1	Yes	Yes	Yes	Yes	Yes	
7016	5MMT876AX001			ROLLER HEAT	1	1	Yes	Yes	Yes	Yes	Yes	
7017	5MVM188XN015			BUSH HEAT R	1	1	Yes	Yes	Yes	Yes	Yes	
7018	5MVM188XN016			BUSH HEAT L	1	1	Yes	Yes	Yes	Yes	Yes	
7019	5EZPB2411920201			HEATER LAMP (E) 240V	1	1	No	No	No	No	No	
7019	5EZPB1213820201			HEATER LAMP (U) 120V	1	1	No	No	No	No	No	
7019	5EZPB1014520201	ISP1000J+001		HEATER LAMP (J) 100V	1	1	No	No	No	No	No	
7019	5EZPB2412120702			HEATER LAMP (E) 240V	1	1	No	No	No	No	No	
7019	5EZPB1214220701			HEATER LAMP (U) 120V	1	1	No	No	No	No	No	
7019	5EZPB1015020801			HEATER LAMP (J) 100V	1	1	No	No	No	No	No	
7019	5EZPB2413120101			HEATER LAMP (E) 240V 14PPM	1	1	Yes	No	No	No	Yes	
7019	5EZPB1216320101			HEATER LAMP (U) 120V 14PPM	1	1	No	Yes	No	Yes	No	
7019	5EZPB1017520101			HEATER LAMP (J) 100V 14PPM	1	1	No	No	Yes	No	No	
7021	5AACCNRL4GEA			CONN.CORD ASSY E	1	1	No	No	No	No	No	
7021	5AACCNRL5GEA			CONN.CORD ASSY U	1	1	No	No	No	No	No	
7021	5AACCNSE1GEA			CONN.CORD ASSY J	1	1	No	No	No	No	No	
7023	5AAXTM014GEA			THERMISTOR ASSY	1	1	Yes	Yes	Yes	Yes	Yes	
7024	5EYFFQ16002Q+01			THERMO CUT OUT	1	1	No	No	No	No	No	
7024	5EYFFQ16001++01			THERMO CUT OUT	1	1	Yes	Yes	Yes	Yes	Yes	
7025	5MVX222XN002			SEPARATOR	4	4	No	No	No	No	No	B-8652/YC-6067
7025	5AAVSEPR015			SEPARATOR ASSY	4	4	Yes	Yes	Yes	Yes	Yes	B-8652/YC-6067
7026	5MMW261LD015			SPRING SEPARATOR	4	4	No	No	No	No	No	B-8652/YC-6067
7026	5MMW261LD055			SPRING SEPARATOR	4	4	Yes	Yes	Yes	Yes	Yes	B-8652/YC-6067
	5MVS222KN006			SHEET REAR	2	2	Yes	Yes	Yes	Yes	Yes	B-8652
	5MVS222KW001			SHEET REAR B	2	2	Yes	Yes	Yes	Yes	Yes	B-8664
7027	5MVG148XN008			GEAR HEAT Z33	1	1	Yes	Yes	Yes	Yes	Yes	
7028	5MVG148XN009			GEAR IDLE Z34	1	1	Yes	Yes	Yes	Yes	Yes	
7029	5MML531RD001	5MML531RD002		HOLDER LAMP A	1	1	Yes	Yes	Yes	Yes	Yes	
7030	5MML211RD002			HOLDER LAMP B	1	1	Yes	Yes	Yes	Yes	Yes	
7031	5MVM273DB005			PULLEY EXIT	2	2	Yes	Yes	Yes	Yes	Yes	
7032	5MMW601LD011			SPRING PULLEY	2	2	Yes	Yes	Yes	Yes	Yes	

8000–8999

Ref. No.	Part Number	Alternative #1	Alternative #1	Description	ISP	Q'ty	KMDE	KMA	KMJ	KMTW	Phil.	Remarks
8001	5MVB886SH063			BASE CASSETTE		1	Yes	Yes	Yes	Yes	Yes	
8004	5MMS856SL001			PLATE BOTTOM		1	Yes	Yes	Yes	Yes	Yes	
8005	5MMW552LD002			SPRING CASSETTE		2	Yes	Yes	Yes	Yes	Yes	
8006	5MVX765SH002			GUIDE SIDE R		1	Yes	Yes	Yes	Yes	Yes	
8007	5MVX765SH003			GUIDE SIDE L		1	Yes	Yes	Yes	Yes	Yes	
8008	5MVX664SH003			STOPPER PAPER		1	Yes	Yes	Yes	Yes	Yes	
8009	5MVX541DG003			LEVER SIDE		1	Yes	Yes	Yes	Yes	Yes	
8010	5MVX541DG002			LEVER REAR		1	Yes	Yes	Yes	Yes	Yes	
8011	5MVG127DN071			GEAR CASSETTE		1	Yes	Yes	Yes	Yes	Yes	
8015	5MMW251LD047			SPRING SEPARATOR C		1	Yes	Yes	Yes	Yes	Yes	
8016	5MVX431DW001			LOCK CASSETTE R		1	Yes	Yes	Yes	Yes	Yes	
8017	5MVX431DW002			LOCK CASSETTE L		1	Yes	Yes	Yes	Yes	Yes	
8018	5MMW251LD045			SPRING LOCK		2	Yes	Yes	Yes	Yes	Yes	
8019	5MMP141LD003			PLATE STOPPER		1	Yes	Yes	Yes	Yes	Yes	
8020	5MMP141LD002			PLATE SIDE GUIDE		1	Yes	Yes	Yes	Yes	Yes	
8021	5MMW171LD006			SPRING STOPPER		1	Yes	Yes	Yes	Yes	Yes	
8A01	5AAVB0TOM009	5AAY3010E+49		BOTTOM CASSETTE KIT		1	Yes	Yes	Yes	Yes	Yes	
8A02	5AAVSEPRT013	5AAY3010E+50		SEPARATOR KIT FOR PC-40		1	No	No	Yes	No	No	
8A02	5AAVSEPRT016			SEPARATOR KIT FOR PC-42		1	Yes	Yes	No	Yes	Yes	

Accessories and Packing Matters

Ref. No.	Part Number	Alternative #1	Alternative #1	Description	ISP	Q'ty	KMDE	KMA	KMJ	KMTW	Phil.	Remarks
A-002	5AACAC428EEA	5AACAC476EEA	5AACAC479EEA	AC CORD ASSY		1	Yes	No	No	No	Yes	
A-002	5AACAC458BSA	5AACAC480BSA		AC CORD ASSY KMUK,KMSG,KMHG ONLY		1	Yes	No	No	No	No	
A-002	5AACAC404ASA	5AACAC481ASA		AC CORD ASSY KMAUS ONLY		1	Yes	No	No	No	No	
A-002	5AACAC393ULA	5AACAC482ULA		AC CORD ASSY		1	No	Yes	No	Yes	No	
A-002	5AACAC444JAA	5AACAC483JAA		AC CORD ASSY		1	No	No	Yes	No	No	
A-003	5AAMDK5P**01			CLEANING KIT C		1	Yes	Yes	Yes	Yes	Yes	
P-001	5AAKA94E++02			PACKING ASSY E		1	Yes	No	No	No	Yes	
P-001	5AAKA94U++02			PACKING ASSY U		1	No	Yes	No	No	No	
P-001	5AAKA94TW+01			PACKING ASSY TWN		1	No	No	No	Yes	No	
P-001	5AAKA94J++02			PACKING ASSY J		1	No	No	Yes	No	No	
P-002	5KKS94E++01			OUTER CARTON E		1	1	Yes	No	No	Yes	
P-002	5KKS94U++01			OUTER CARTON U		1	1	No	Yes	No	No	
P-002	5KKS94TW+01			OUTER CARTON TWN		1	1	No	No	No	Yes	
P-002	5KKS94J+01			OUTER CARTON J		1	1	No	No	Yes	No	

Firmware DIMM (Empty)

Ref. No.	Part Number	Alternative #1	Alternative #1	Description	ISP	Q'ty	KMDE	KMA	KMJ	KMTW	Phil.	Remarks
PWBA/D	5AAPRMEG4023PQ	5AAPRMEG4023KQ		P.W.B. ASSY KP-893 FLASH DIMM		1	1	Yes	Yes	Yes	Yes	Yes
PWBA/D	5AAPRMEG4023KQ	5AAPRMEG4023PQ		P.W.B. ASSY KP-893 FLASH DIMM		1	1	Yes	Yes	Yes	Yes	Yes