



PAGE PRINTER

FS-7000



PARTS CATALOGUE

12-11-1998

FS-7000 Parts Catalogue

Table of Contents

Enclosure (Fig.1)	3
Frame (Fig.2).....	6
Drive (Fig.3).....	10
Controller (Fig.4).....	13
Feed Transfer Unit (Fig.5).....	15
Fuser (Fig.6).....	18
Drum Unit (Fig.8).....	21
Developer unit (Fig.10).....	24
Multi-purpose Feeder (Fig.11).....	27
Face Down Unit (Fig.12).....	30

Introduction

The figures which follow depict the major assemblies of the printer or option, broken down into components. Following each figure are the list giving the following information:

'Ref No.' Reference number which corresponds to the parts in the figure
'Part code'..... Part code which identifies the part
'Part description' A brief description of the part
'Quantity'..... Quantity of the part used in the printer or option

Only the parts highlighted in BOLD should be ordered. All other parts are for reference only and are not stocked.

Consumables and Maintenance Kits

TK-30	Toner Kit
G-3	Grid Cleaner
MK-30	Maintenance Kit (350K pages)
	Drum
	Developer
	Fuser
	Transfer Roller
	Waste Toner Conveyor Arm

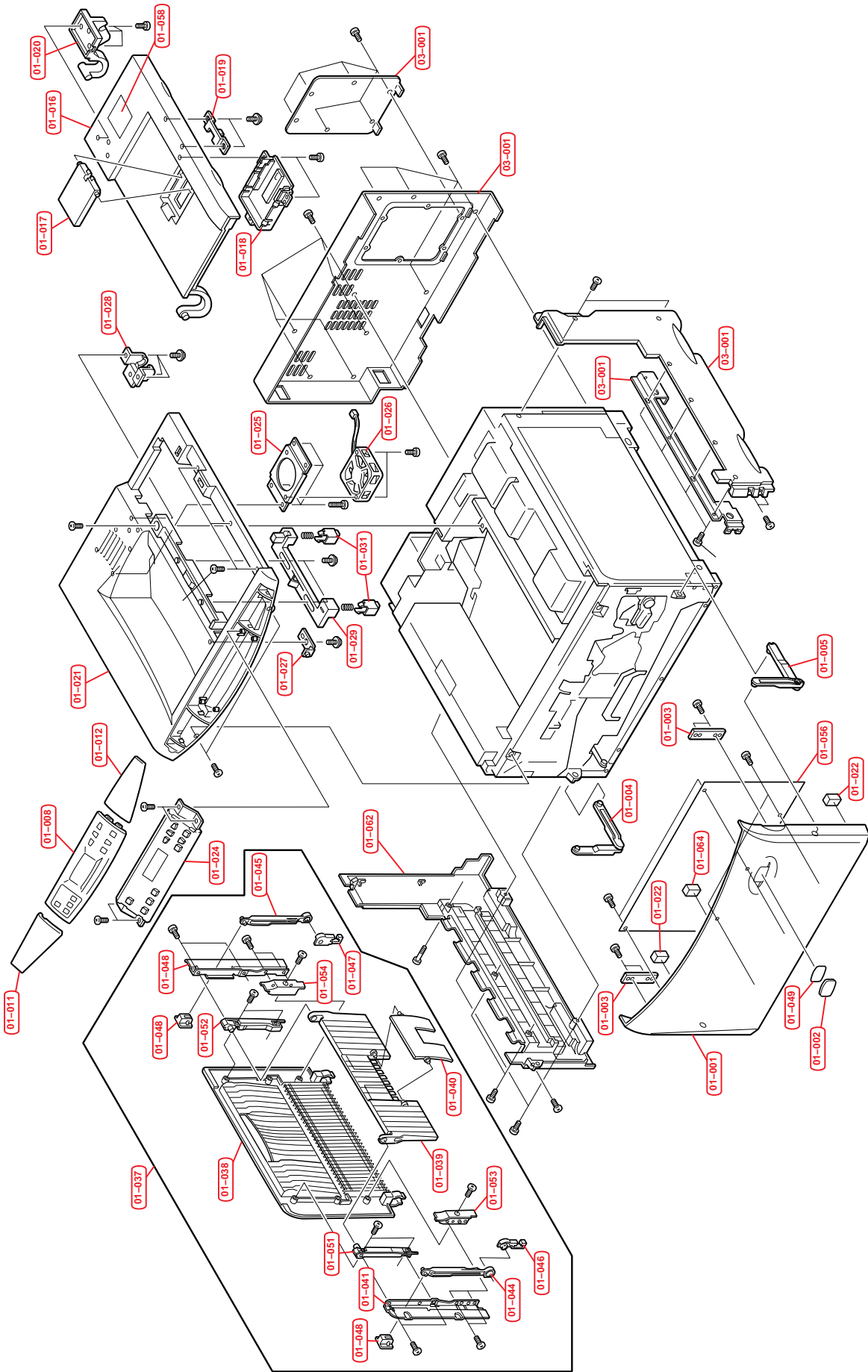


Fig.1 - Enclosure

Ref No.	Part Code	Description	Quantity
01-001	5MVB996SH005	Cover Front	
01-002	5MVS428AM001	Plate Ecosys	
01-003	5MMM627SW001	Plate Magnet Catch	
01-004	5AAY7000E*54	Hinge Front L Assy	
01-005	5AAY7000E*55	Hinge Front R Assy	
01-006		Hinge Front RA	
01-007		Hinge Front RB	
01-008	5AAY7000E*59	Cover Panel English Assy	
01-008	5AAY7000E*60	Cover Panel German Assy	
01-008	5AAY7000E*61	Cover Panel French Assy	
01-008	5AAY7000E*62	Cover Panel Spanish Assy	
01-008	5AAY7000E*63	Cover Panel Italian Assy	
01-008	5AAY7000E*64	Cover Panel Danish Assy	
01-008	5AAY7000J*10	Cover Panel Japanese Assy	
01-009	5MVS647AM001	Len Panel A (01-008)	
01-010	5MVS669AM001	Cover Panel B (01-008)	
01-010	5MVS668AM002	Cover Panel J (01-008)	
01-011	5MVX755SH001	Cover Panel L	
01-011	5MVX755SH003	Cover Panel LJ	
01-012	5MVX755SH002	Cover Panel R	
01-013	5AAVBRCKT057	Right Bkt Assy	
01-014	5MM986SM003	Cover Rear (01-061)	
01-015	5MML782SM001	Cover Main (01-061)	
01-016	5MVB986SH025	Lid Top (01-023)	
01-017	5MVB661SH005	Stopper Paper (01-023)	
01-018	5MVX772SH009	Cover Stopper (01-023)	
01-019	5MVX621DW002	Lock Cover (01-023)	
01-020	5MVX664DH001	Plate Tower (01-023)	
01-021	5MVX997SH001	Cover Top	
01-022		Rubber Front B	
01-023	5AACOVER185	Lid Top Assy	
01-023	5AACOVER191	Lid Top J Assy	
01-024	5AAY7000E*28	Key Board Assy	
01-025	5MMX761SL003	Bracket Fan	
01-026	5EZNF2402501*03	Fan Motor	
01-027	5MVX421DH003	Lock Lid Top F	
01-028	5MVX643DH001	Lock Lid Top R	
01-029	5MVX853DG001	Level Top	
01-030	5MM465LD001	Spring Cont A	
01-031	5MVB322DB001	Push Contain	
01-032	5MVB862SH012	Panel Front (01-024)	
01-033	5MVX642SH008	Button Key L (01-024)	
01-034	5MVX642SH009	Button Key R (01-024)	
01-035	5MVS639RF005	Seal LCD (01-024)	
01-036	5AAPRKBC2002AH	PWB Assy (01-024)	

Ref No.	Part Code	Description	Quantity
01-037	5AAY7000E*47	Tray FU Assy	
01-038	5MMX321SM001	Tray FU A (01-037)	
01-039	5MVX872SW001	Tray FU B (01-037)	
01-040	5MVX761SW001	Tray FU C (01-037)	
01-041	5MMX842SN002	Plate Tray F (01-037)	
01-042	5MMX842SN003	Plate Tray R (01-037)	
01-043	5MVX883SW001	Tray FU A (01-037)	
01-044	5MVX721CW001	Link FU F (01-037)	
01-045	5MVX721CW002	Link FU R (01-037)	
01-046	5MVX521SW007	Hinge FU F (01-037)	
01-047	5MVX521SW008	Hinge FU R (01-037)	
01-048	5MDX321DN011	Slider FU (01-037)	
01-049	5MVS422XF002	Seal Ecosys	
01-050	5MVS642XF005	Seal Panel A (01-008)	
01-051	5MVB722SW001	Bkt Tray FA (01-037)	
01-052	5MVB722SW002	Bkt Tray RA (01-037)	
01-053	5MVB622SW002	Bkt Tray FB (01-037)	
01-054	5MVB622SW003	Bkt Tray RB (01-037)	
01-055	5AACCNQB1GEA	Conn Cord S02057	
01-056	5KKT700E*QX	Sheet Ope. Manual	
01-056	5KKT700J*QX	Sheet Ope. Manual Japan	
01-057		Serial No. Plate	
01-058	5MVVL662GE33	Label Diagram A (01-023)	
01-058	5MVVL662GE35	Label Diagram A (01-023)	
01-059	5MVVL762GE15	Label Diagram B (01-023)	
01-059	5MVVL762GE16	Label Diagram B (01-023)	
01-060	5MVVL662GE34	Label Diagram C (01-023)	
01-061	5AAVCOVER188	Cover Rear Assy	
01-062	5MVX985SW001	Cover Left	
01-063	5MVB984SW005	Cover Right	
01-064	5MVQ222RB005	Rubber Front	

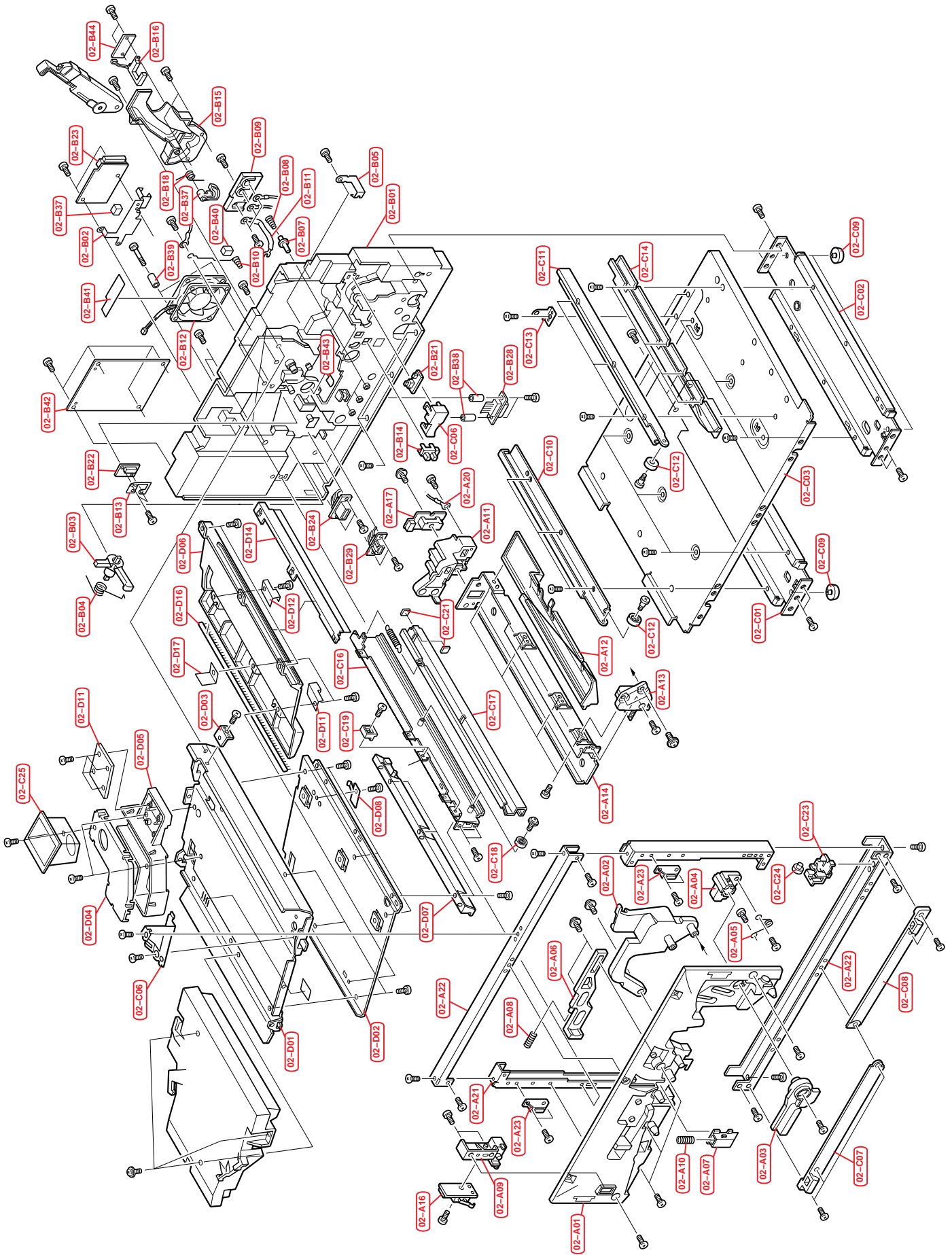


Fig.2 – Frame

Ref No.	Part Code	Description	Quantity
02-000	LK-30	Scanner Unit 5PLPZYKAPKE	1
02-000	5AAY7000E*68	Waste Toner Conveyer	1
02-001	5AACCNQA6GEA	Conn Cord Assy	
02-002	5AACCNQA7GEA	Conn Cord Assy	
02-003	5AACCNQA9GEA	Conn Cord Assy	
02-004	5AACCNQB0GEA	Conn Cord Assy	
02-005	5AACCNQC0GEA	Conn Cord Assy	
02-006	5AACCNQC2GEA	Conn Cord Assy	
02-A01	5MVB976CB002	Frame Front	
02-A02	5MVF775SB001	Arm Lever DLP	
02-A03	5MVN754SG001	Lever DLP A	
02-A04	5MVX543DN001	Lever DLP B	
02-A05	5MMW576LD001	Spring Lever A	
02-A06	5MVX753DG001	Lever Drum	
02-A07	5MVX432DB008	Lock Drum	
02-A08	5MMW566LD002	Spring Lever Drum	
02-A09	5MVX643SB008	Bkt PWB	
02-A10	5MMW465LD002	Spring Lock Drum	
02-A11	5MVX766SB014	Guide DLP rear	
02-A12	5MVL854SB002	Tray Rail	
02-A13	5MVL655SB001	Rail DLP F	
02-A14	5MMB965SD001	Rail DLP	
02-A16	5AAPRSWC1007AH	lockf PWB KP-556	
02-A17	5AAPRIFC1017AH	Dvrly PWB Assy	
02-A18	5AACCNQC1GEA	Conn Cord Assy	
02-A19	5AACCNQC9GEA	Conn Cord Assy	
02-A20	5AACCNQE8GEA	Conn Cord Assy	
02-A21	5MMC834SD001	Plate Frame Side	
02-A22	5MMC933SD001	Plate Frame	
02-A23	5AAVMGNET005	Magnet Catcher	
02-B01	5MVX987CB001	Frame Rear	
02-B02	5MMC764LD001	Plate Conn A	
02-B03	5MVX643DB003	Actuator Joint	
02-B04	5MMW176LD001	Spring Joint	
02-B05	5MMP433LD002	Plate Bias	
02-B06	5MVB533SB005	Cover PWB Cont	
02-B07	5MMM311SZ001	Pin HV Contact	
02-B08	5MMW311LD003	Spring HV Contact	
02-B09	5MVB632SB009	Cover Contact	
02-B10	5MMW605LD002	Spring Main A	
02-B11	5AAXRD016GEA	High Meg R Assy	
02-B12	5ENZNF2403202*01	Fan Motor	
02-B13	5MVZ641LD001	Plate Drum PWB	

Ref No.	Part Code	Description	Quantity
02-B14	5ENXGP1A73A**01	Photo Sensor	
02-B15	5MVX874SB003	Case Belt Guide	
02-B16	5AAY7000E*46	Tower Sensor Assy	
02-B17	5MVX552SB006	Interrupt Sensor	
02-B18	5MMW172SD001	SP Interrupt Sensor	
02-B19		Bracket Sensor Tower	
02-B20		Spacer Tower LED	
02-B21	5AAPRZZC1048BH	Tbottle PWB KP-554	
02-B22	5AAPRIFC1016AH	Drrly PWB KP-558	
02-B23	5AAPRIFR2004AH	PWB ASSY	
02-B24	5AACCNQA8GEA	Conn Cord Assy	
02-B25	5AACCNQC4GEA	Conn Cord Assy	
02-B26	5AACCNQC6GEA	Conn Cord Assy	
02-B27	5AACCNQC7GEA	Conn Cord Assy	
02-B28	5AACCNQD0GEA	Conn Cord Assy	
02-B29	5AACCNQD1GEA	Conn Cord Assy	
02-B30	5AACCNQD2GEA	Conn Cord Assy	
02-B31	5AACCNQD3GEA	Conn Cord Assy	
02-B32	5AACCNQD4GEA	Conn Cord Assy	
02-B33	5AACCNQD5GEA	Conn Cord Assy	
02-B34	5AACCNQD6GEA	Conn Cord Assy	
02-B35	5AACCNQF4GEA	Conn Cord Assy	
02-B36	5MVU666SB001	Duct Drum	
02-B37	5MVQ432RB003	Cord Press	
02-B38	5MMM140SZ011	Collar Spacer	
02-B39	5MMM340SZ002	Collar Spacer	
02-B40	5MVQ211EF001	Sponge Main	
02-B41	5MVS632KF009	Sheet Fan A	
02-B42	5AAXTR037VDA	Trans Assy	
02-B43	5MVS321KN013	Sheet Toner	
02-B44	5AAPRSSC1016AH	Hton PWB Assy	
02-B45	5MMX321SM001	Cord Keep US Scanner	
02-C01	5MMC962SD001	Base Stay L	
02-C02	5MMC962SD002	Base Stay R	
02-C03	5MMB993SD001	Plate Base Lid	
02-C04	5MMC834SD001	Plate Frame Side	
02-C05	5MMC933SD001	Plate Frame	
02-C06	5MMX653LD002	Plate Earth Front	
02-C07	5MVX832SH006	Cover Front Low L	
02-C08	5MVX832SH007	Cover Front Low R	
02-C09	5MVM184NB001	Foot	
02-C10	5MMU932SD003	Rail Bottom L	
02-C11	5MMU932SD004	Rail Bottom R	
02-C12	5MMM165SN002	Roller DU	

Ref No.	Part Code	Description	Quantity
02-C13	5MML332LD002	Plate FG Drive	
02-C14	5MVX822CB005	Rail Base R	
02-C15	5AAVMGNET005	Magnet Catcher	
02-C16	5MMU963SD001	Rail Base L	
02-C17	5MMX952SD003	Rail Middle	
02-C18	5MVM177DN007	Pulley Rail D	
02-C19	5MVX222DN002	Holder Rail B	
02-C20	5MMW661LD003	Spring Rail L	
02-C21	5MVS111PW001	Pad Fuser	
02-C23	5MVX432SB012	Bracket Pulley B	
02-C24	5MVM176DN020	Pulley Rail B	
02-C25	5MVB666SB009	Duct Top Cover	
02-D01	5MMX986SD001	Plate Scan	
02-D02	5MMS882SD001	Plate Scan Mid	
02-D03	5MML332SD003	Plate Cover Top	
02-D04	5MVB772SB024	Duct Fuser Up	
02-D05	5MVB875SB009	Duct Fuser Bottom	
02-D06	5MVX876CB004	Heat Insulater	
02-D07	5MVX832SB011	Rail Drum	
02-D08	5MMX442LD004	Plate Earth SD	
02-D09	5MVS428DB001	Stopper Drum	
02-D11	5AAPRIFC1019AH	APCRLY PWB KP-570	
02-D12	5MMX322LD019	Plate Cover Fuser B	
02-D13	5MVS843KF001	Sheet Insulater A	
02-D14	5MVL833CB001	Heat Separator	
02-D15	5MVX666SH004	Cover Hinge	
02-D16	5MVS826FF001	Discharger FU	
02-D17	5MMS633AX001	Seal Earth FU	
02-D18	5MVS658RF003	Sheet Scan	

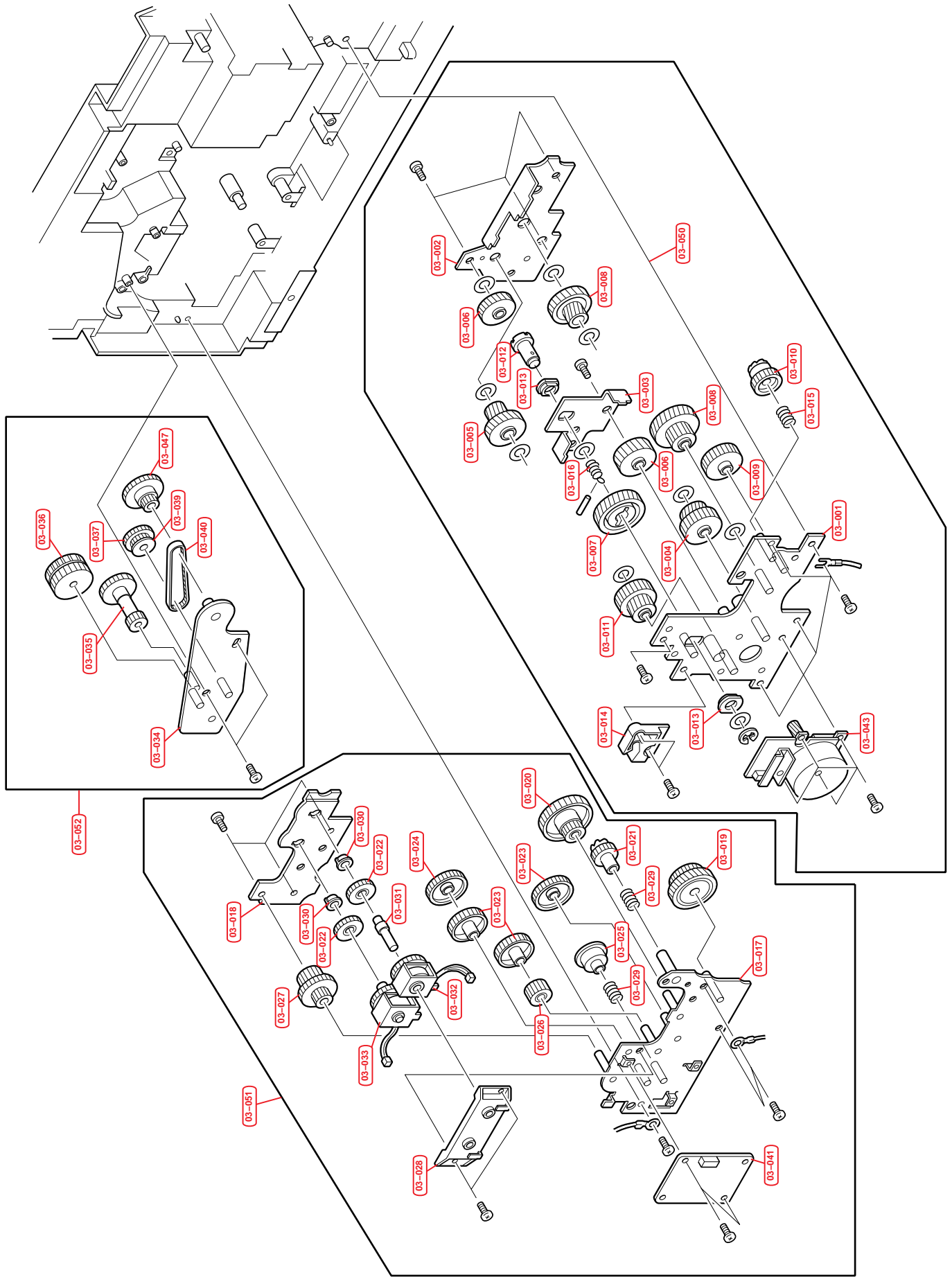


Fig.3 – Drive

Ref No.	Part Code	Description	Quantity
03-000	5AAY7000E*80	Drive Gear Pack	
03-001	5MMX873SD004	Plate Drive Rear	
03-002	5MML776SD001	Plate Drive Front	
03-003	5MMU266SD001	Plate Drive Mid	
03-004	5MVG168DN011	Gear Z72H-Z27H	
03-005	5AAVGEAR*031	Gear Z46H-Z22H	
03-006	5MVG158DN018	Gear Z14H	
03-007	5MVG169DN017	GearZ55H	
03-008	5MVG169DN018	GearZ55H-Z27S	
03-009	5MVG158DN019	GearZ45S A	
03-010	5MVG148DN020	Gear Joint Z31S	
03-011	5MVG169DN019	GearZ76H-Z35H	
03-012	5MMT376LD002	Joint Drum	
03-013	5MMM177CX001	Bush Drum Joint	
03-014	5MVX441DB001	Joint DLP	
03-015	5MMW261LD020	Spring Joint Unit	
03-016	5MMW161LD031	Spring Earth DD	
03-017	5MMX773SD001	Plate Drive Clutch	
03-018	5MMS767SD004	Plate Cover Gear	
03-019	5MVG169DN020	Gear Z56H-Z37S	
03-020	5MVG169DN021	Gear Z53S-Z23S	
03-021	5MVG138DN028	Gear Joint Z28S	
03-022	5MVG148DN021	Gear Clutch Z32S	
03-023	5MVG158DN020	Gear Z45S B	
03-024	5MVG159DN008	Gear Z50S-Z24S	
03-025	5MVG138DN029	Gear Joint Z26S	
03-026	5MVG138DN030	Gear Z24S	
03-027	5MVG158DN022	Gear Z30S-Z43S-Z17S	
03-028	5MVC462DN001	Holder Clutch	
03-029	5MMW261LD020	Spring Joint Unit	
03-030	5MVM176DB008	Bushing Stop	
03-031	5MMT565SN003	Shaft Clutch F	
03-032	5EYYALAAK01**01	Clutch Regist	
03-033	5EYYAFAAM01**01	Clutch Feed	
03-034	5MMX766SD004	Plate D-Container	
03-035	5MVG138DN031	Gear Z30S-Z20S	
03-036	5MVG158DN021	Gear Z45S-Z22S	
03-037	5MVG048DN003	Gear Z33S-P36	
03-039	5MVF182DN001	Cover Pulley	
03-040	5MVM190RB023	Belt Drive Tower	
03-041	5AAPRIFR2006AH	Con2 PWB KP-599	
03-043	5AAXMT029GEA	Main Motor	
03-044	5MBWK71971NN	Flat S Washer	
03-045	5MBWK81C01NN	Flat S Washer	

Ref No.	Part Code	Description	Quantity
03-046	5MBWK01M01NN	Flat S Washer	
03-047	5MVG048DN004	Gear Z36S-P20	
03-050	5AAY7000E*35	Drive Assy A	
03-051	5AAY7000E*36	Drive Assy B	
03-052	5AAY7000E*37	Drive Assy C	

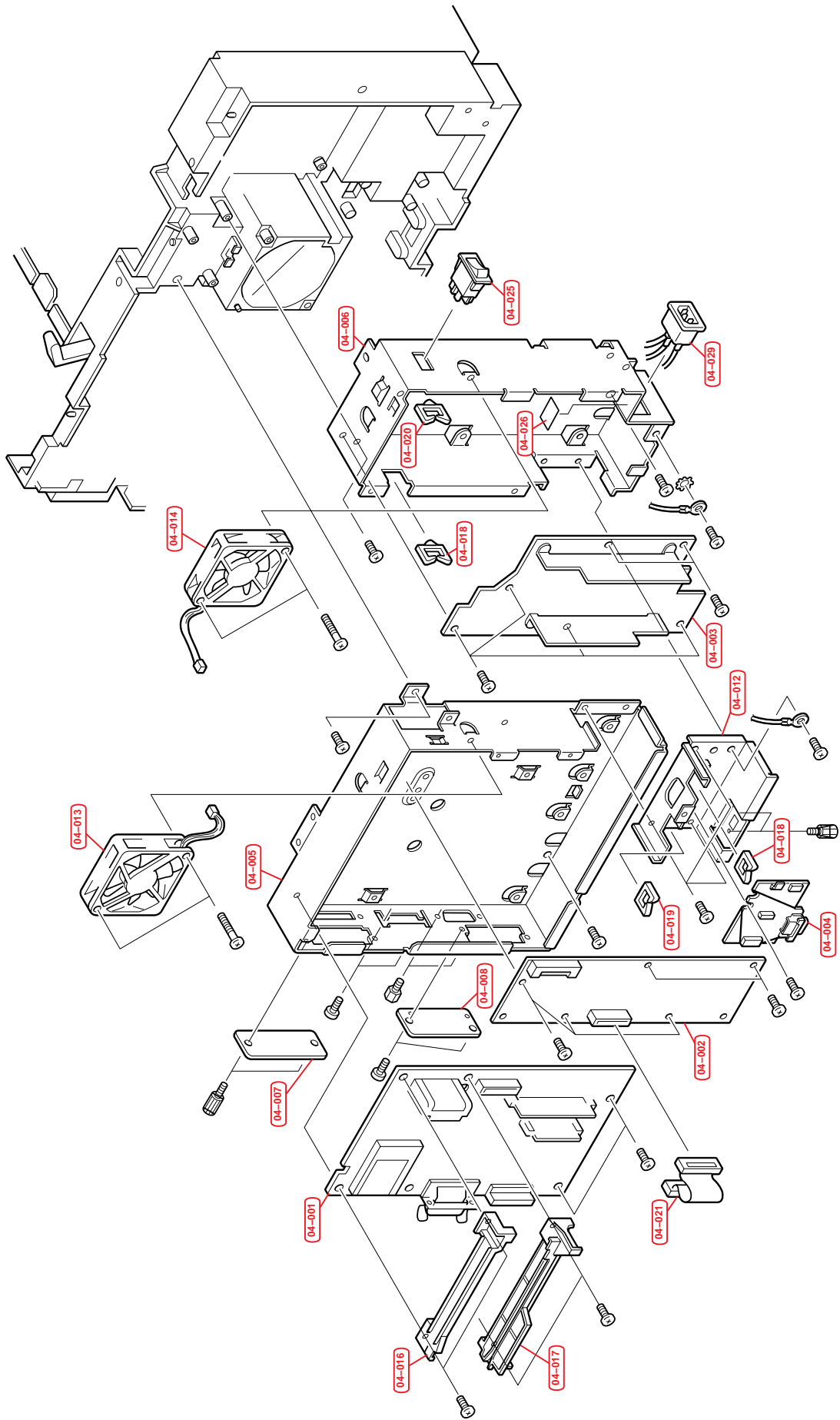


Fig.4 - Controller

Ref No.	Part Code	Description	Quantity
04-000	5AAPRMEG4018AH	DIMM PWB Assy KP-537A	1
04-001	5AAPRLGG4028CH	Main PWB Assy KP-536 Euro USA	
04-001	5AAPRLGG4028DH	Main PWB Assy KP-536 Japan	
04-002	5AAPRCZG4008DH	Engine PWB Assy KP-545 Euro	
04-002	5AAPRCZG4008EH	Engine PWB Assy KP-545 USA	
04-002	5AAPRCZG4008FH	Engine PWB Assy Japan	
04-003	5AAEZ7000E*1	Switching Regulator	
04-003	5AAEZ7000A*1	Switching Regulator (U)	
04-003	5AAEZ7000E*1	Switching Regulator (E)	
04-004	5AAPRIFR2005AH	Con 3 PWB Assy KP-568	
04-005	5MMB886SB010	Cont Box	
04-006		Rail op Board	
04-007	5MMS636SD009	Plate Option	
04-008	5MMS646SD009	Plate Controller	
04-009	5MMB876SD002	Shield Case	
04-010		Edge Clip	
04-012	5MMC765SD001	Plate Con c	
04-013	5EZNF2402501*03	Fan Motor Main cont	
04-014	5EZNF2402501*03	Fan Motor Power supply	
04-015		Conn Cord Assy	
04-016	5MVX743SB008	Rail Options A	
04-017	5MVX754SB008	Rail Options B	
04-018	5MVC331NN001	Edging Saddle	
04-019	5MVC441NN001	Edging Saddle	
04-020	5MVX321NN023	Locking Wire Saddle	
04-021	5AACCNQA5GEA	Conn Cord Assy S02051	
04-022	5AACCNQB7GEA	Conn Cord Assy S02063	
04-023	5AACCNQC3GEA	Conn Cord Assy S02069	
04-024	5AACCNQK5GEA	Conn Cord Assy S02071 Euro	
04-024	5AACCNQC5GEA	Conn Cord Assy S02071 USA	
04-024	5AACCNQK6GEA	Conn Cord Assy S02071 Japan	
04-025	5ESC020205***01	See-saw SW	
04-026	5MVS327RH001	Sarcon GR	
04-027	5MVS552KF007	Sheet Cont D	
04-028	5MVS872KF006	Sheet Cont A	
04-029	5MVS652KF005	Sheet Cont B	
04-030	5MVS332KF003	Sheet Cont C	
04-031	5MMT263SN012	Screw OP	
04-032	5MVVL436WN01	Label Caution HV	

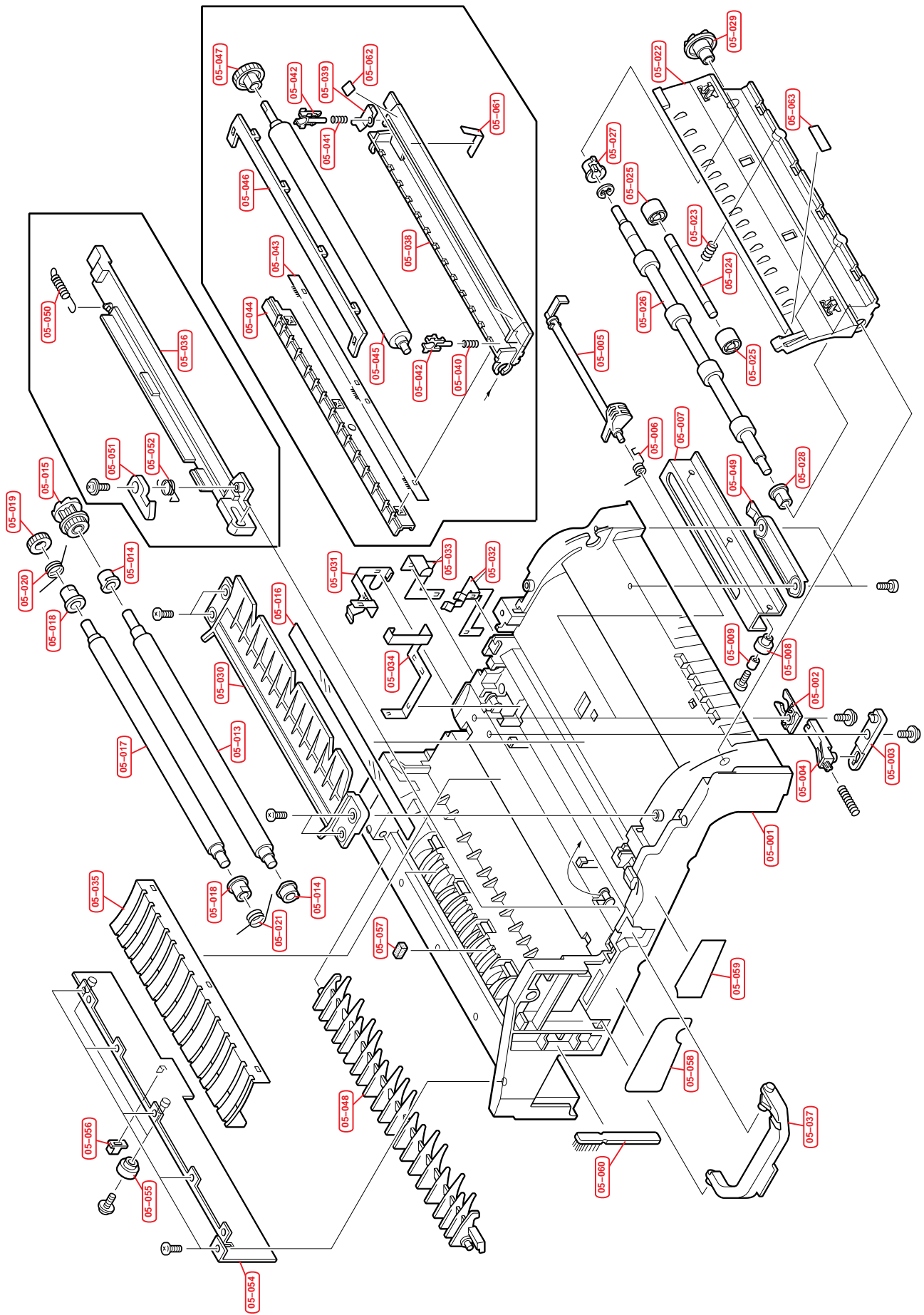


Fig.5 – Feed Transfer Unit

Ref No.	Part Code	Description	Quantity
05-000	5AAY7000E*48	Feed Trans Unit	
05-000	TR-30	Transfer Unit 5PLPZYNAPKE	
05-000	5AAY7000E*56	Regist Low Assy	1
05-000	5AAY7000E*51	Plate Release Assy	1
05-001	5MVX997XB001	Case Low	
05-002	5MVX321DN010	Latch Rail	
05-003	5MVX621DB003	Plate Plate Lock A	
05-004	5MVX511DB003	Plate Lock B	
05-005	5MVX742SB006	Actuator Regist	
05-006	5MMW161LD030	Spring Actuator RE	
05-007	5MMC843SD002	Rail Case R	
05-008	5MVM274DN001	Pulley Rail C	
05-009	5MMM140SZ009	Collar Spacer	
05-013	5MMT876SN050	Regist Low Assy with 16	
05-014	5MMM121CX001	Bush Drum	
05-015	5MVG147DB020	Gear Joint Z32	
05-016	5MVS822KF010	Sheet Regist	
05-017	5MMT876SN049	Roller Regist up	
05-018	5MMM276CJ001	Metal Bush Regist	
05-019	5MVG137DB064	Gear Regist Z24	
05-020	5MMW172SD002	Spring Regist A	
05-021	5MMW172SD003	Spring Regist B	
05-022	5MVX876SC001	Guide Paper	
05-023	5MMW261LD018	Spring Middle	
05-024	5MMT743SN001	Shaft Pulley	
05-025	5MVM276DN005	Pulley Middle	
05-026	5MMT876SN064	Roller Middle	
05-027	5MVM276DN006	Bush B	
05-028	5MVM276DB012	Bush C	
05-029	5MVM286DB002	Latch Joint	
05-030	5MVS868SC001	Guide Paper B	
05-031	5MMX654LD003	Plate Regist	
05-032	5MMX662LD003	Plate TC	
05-033	5MMX662LD004	Plate Discharger	
05-034	5MMX644LD004	Plate Earth Regist	
05-035	5MMU863SD002	Plate Paper Guide	
05-036	5MVX822SG001	Plate Release	
05-037	5MVX752SG001	Handle Case	
05-038	5MVB864SB011	Guide TC	
05-039	5MMX321LD024	Plate Contact TC	
05-040	5MMW354LD003	Spring TC Roll	
05-041	5MMW255LD002	Spring Bush	
05-042	5MVX322DB018	Bush Transfer B	
05-043	5MMS821LD010	Brush DC Charge	

Ref No.	Part Code	Description	Quantity
05-044	5MMVX822CB004	Holder DC Charge	
05-045	5MMT886SN013	Roller Transfer	
05-046	5MVX831CB002	Guide Chute Low	
05-047	5MVG138DB062	Gear TC Z26	
05-048	5MVX863CB002	Guide Change DU	
05-049	5MVX731DN001	Holder Rail A	
05-050	5MMW461SD002	Spring Release B	
05-051	5MVX421DB011	Holder Release	
05-052	5MMW161SD006	Spring Release C	
05-053	5MMW461SD001	Spring Release A	
05-054	5MML962SD001	Rail Case L	
05-055	5MVM276DB013	Pulley Rail E	
05-056	5MVX211SG001	Knob Release	
05-057	5MVS118YW002	Pad Cushion	
05-058	5MVVL752WN04	Label Case A	
05-059	5MVVL642WN09	Label Case B	
05-060	5AAVBRUSH035	Brush Clean Assy	
05-061	5MMS312AX001	Sheet Earth TC	
05-062	5MVVL111WN12	Label Release A	
05-063	5MVVL311WN30	Label Release B	
05-064	5MVS612KF009	Sheet Guide Paper A	
05-065	5MVS622KF005	Sheet Guide Paper B	

Ref No.	Part Code	Description	Quantity
06-000	FK-30	Fuser Unit (E) 5PLPZYAPKE	
06-000	FK-30	Fuser Unit (U) 5PLPZYQAAK1	
06-001	5MMT880AX001	Roller Heat	
06-002	5MVG169XN001	Gear Z55	
06-003	5MVM910XN001	Bush Heat	
06-004	5MMW486SJ001	Ring Stop	
06-005	5MMT886SN014	Roller Press	
06-006	5MMT876SN051	Roller Fuser	
06-007	5MVG138DN032	Gear Z29S	
06-008	5MMM176CJ005	Bushing SBK	
06-009	5MVG148XN006	Gear Fusing Z33	
06-010	5MVG148XN005	Gear Z36	
06-011	5MVG137DB025	Gear Mfeed Z25	
06-012	5MBELF1060ZZ	Ball Bearing	
06-013	5MVX222XN002	Separator	
06-014	5MVB842KB001	Cover Separator	
06-015	5MMW163LD005	Spring Separator	
06-016	5MVB975KB001	Frame Fuser Low	
06-017	5MVB875KB001	Frame Fuser UP	
06-018	5MVX865KB001	Cover Fuser	
06-019	5MMT622SN003	Shaft Exit	
06-020	5MVM176DB010	Pulley Exit	
06-021	5MMW255LD006	Spring Exit	
06-022	5MMZ221LD003	Plate Cover	
06-023	5MVB765KB001	Cover Fuser F	
06-024	5MVB766KB001	Cover Fuser B	
06-025	5MVB832KB001	Guide Entrance	
06-026	5MVX665KB001	BKT Fuser	
06-027	5MVQ511SB003	Link Lock	
06-028	5MVX542DG001	Lever Lock F	
06-029	5MVX542DG002	Lever Lock R	
06-030	5MVX321CG001	Lever Release	
06-031	5MMT310SN002	Pin Fuser	
06-032	5MMW266LD005	Spring Press	
06-033		Spring Lock F	
06-034		Spring Lock R	
06-035	5MMX661SD002	Plate Press F	
06-036	5MMX661SD003	Plate Press R	
06-037	5MMX631CD001	Plate Fuser	
06-038	5MML142CD001	Plug Fuser	
06-039	5MMX543LD002	Plate Earth	
06-040	5MMS845LD001	Plate Fuser Up	
06-041	5MMX544SD002	Plate Fuser Gear	
06-042	5AAXTM009GEA	Thermistor Assy	

Ref No.	Part Code	Description	Quantity
06-043	5EYFEQ1750Q*01	Themo Stat 250V 175C	
06-044	5EZPB2412120201	Heater Lamp C Euro	
06-044	5EZPB1214220201	Heater Lamp C USA	
06-044	5EZPB1015020301	Heater Lamp C Japan	
06-045	5EZPB2412120301	Heater Lamp S Euro	
06-045	5EZPB1214220301	Heater Lamp S USA	
06-045	5EZPB1015020401	Heater Lamp S Japan	
06-046	5MVVL645WN03	Label Caution Fuser	
06-047	5MMK116SZ001	Nut Fuser	
06-048	5MMK116SZ001	Nut Fuser	
06-049	5MMK116SZ001	Nut Fuser	
06-050	5AAPRIFC1015AH	PWB Assy	
06-051	5AACCNQD7GEA	Conn Cord Assy	
06-052	5AACCNQE7GEA	Conn Cord Assy	
06-053	5MVX842KB001	Guide Chute	
06-054	5MMB321LD003	Support Separtor	
06-055	5MVF111DN005	Bush SP	
06-056	5MVS421NF001	Sheet Fuser A	
06-057	5MVS211XG001	Sheet Fuser G	
06-058	5MVVL651WN37	Label Caution C	
06-059	5MBG513060CJ	Gremmet	
06-060	5MVM160XN001	Spacer	
06-061	5MVM160XN001	Poly Washer	

Ref No.	Part Code	Description	Quantity
08-000	DK-30	Drum Unit 5PLPZYHAPKE	
08-001		Drum Assy	
08-002	5AAY7000E*69	MCH Assy	
08-003		Frame Drum	
08-004		Blade Assy	
08-005		Led Assy	
08-006		Roll Clean	
08-007		Screw	
08-008		Bush Clean	
08-009		Bush Screw	
08-010		Seal Blade	
08-011		Seal Drum R	
08-012		Seal Drum F	
08-013		Sheet Drum	
08-014		Sheet Drum Low	
08-015		Plate Zenner A	
08-016		Plate Zenner B	
08-017		Plate MCH U	
08-018		Shutter	
08-019		Spring Shutter	
08-022		Cover Drum Rear	
08-023		Spring MCH	
08-024		Gear Z17H	
08-025		Gear Z16H	
08-026		Gear Z13H	
08-027		Gear Z15H-Z14H	
08-028		Arm Roll Clean	
08-029		Pin Idle A	
08-030		Pin Idle B	
08-031		Spring Roll A	
08-032		Spring Roll B	
08-033		Plate Gear	
08-034		Cover Clean Spring F	
08-035		Cover Clean Spring R	
08-036		Cover Drum Front	
08-037		Lock Cover Drum	
08-038		Lock MCH	
08-039		Plate Cover Holder	
08-040		Sring Lock MCH	
08-041		PWB Assy	
08-042		PWB Assy	
08-043		Drum Cover Up Assy	
08-044		Sheet Clean	
08-045		Plate Drum Left	

Ref No.	Part Code	Description	Quantity
08-046		Heat Seal Drum	
08-047		Plate Drum Front	
08-048		Sheet Drum Front	
08-049		Guide Drum	
08-050		Sheet Guide Drum	
08-051		Label Drum	

Ref No.	Part Code	Description	Quantity
10-000	DV-30	Developer Unit 5PLPZYRAPKE	
10-001		Case DLP	
10-002		Ball Bearing	
10-003		Lid DLP	
10-004		Cover DLP	
10-005		Blade DLP	
10-006		Pulley DLP Assy	
10-007		Roller Magnet	
10-008		Plate Bias A	
10-009		Plate Bias B	
10-010		Cover R DLP	
10-011		Cover Gear	
10-012		Gear Feed Z22	
10-013		Scraper DLP B	
10-014		Toner Sensor	
10-015		Shutter DLP	
10-016		Spring Shutter	
10-017		Flange Mag	
10-018		Handle DLP	
10-020		Worm Wheel H28-Z14	
10-021		Gear Idle Z30-Z15	
10-022		Gear ZZ3H-z18S	
10-023		Gear Scrapper Z18S	
10-024		Gear Z34S-Z16S	
10-025		Gear Z36S-Z23S	
10-026		Gear MG Z17H	
10-028		Pin DLP A	
10-029		Pin DLP B	
10-030		Seal Side DLP	
10-031		Seal Scraper	
10-032		Sheet Scraper	
10-033		Sheet PWB	
10-034		Sheet Shut Side	
10-035		Seal Lid A	
10-036		Seal Lid B	
10-037		Seal Lid Side	
10-038		Sheet MG Up	
10-039		Sheet Shutter	
10-040		Seal Shutter	
10-041		Seal Side DLP L	
10-042		Seal Side DLP R	
10-043		Magnet Blade	
10-044		DC Motor (10-063)	
10-045		Bracket Motor	

Ref No.	Part Code	Description	Quantity
10-046		Gear Worm (10-063)	
10-047		Spring Sensor	
10-048		Seal Lid	
10-049		Conn.Cord Assy (10-063)	
10-050		Conn.Cord Assy	
10-051		Screw F DLP	
10-052		Screw B DLP	
10-053		Scrapper B DLP	
10-054		Separator DLP	
10-055		Label Caution	
10-056		Bush Scrapper	
10-057		Sheet Scraper MID	
10-058		Spacer DLP	
10-059		Scraper Screw	
10-060		Poly Washer	
10-061		Poly Washer	
10-062		P.W.Board Assy	
10-063		DC Motor Assy	
10-A01	5AAY7000E*20	Toner Motor Assy	

Ref No.	Part Code	Description	Quantity
11-000	5AAY7000E*04	Multi Feed Unit	
11-001	5MVX976CH001	Frame Right	
11-002	5MVX774CH001	Frame Bottom	
11-003	5MVB863CH001	Holder Feed	
11-004	5MVB852CB002	Plate bottom	
11-005	5MVS427XN001	Pad friction	
11-006	5MML831SL002	Support bottom	
11-007	5MVX221DH001	Lever Return	
11-008	5MVX632SB014	Lever Interlock	
11-009	5MMX543LD003	Plate Earth MPF	
11-010	5MML732SL004	Plate Earth EF	
11-011	5MMS657SL016	BKT Clutch	
11-012	5MVG137DN016	Gear Feed Z22	
11-013	5MVG138DN026	Gear MD Z26	
11-014	5MVG137DN015	Gear Z22	
11-015	5MMT766SN005	Shaft MPF	
11-016	5MMT866SN023	Roller MPF MID	
11-017	5MVX653CB001	BKT Separator	
11-018	5MVB322DN001	Cap Connect EF	
11-019	5MMW361LD012	Spring Separator	
11-020	5MMW471LD001	Spring Bottom	
11-021	5MMW501LD001	Spring Pulley MD	
11-022	5MVM373DB001	Pulley S	
11-023	5MVM176DB012	Bush Pom B	
11-024	5MVM122DB004	Bush Pom EW	
11-025	5ENXGP1A73A**01	Photo Sensor	
11-026	5AAVCLTCH007	Clutch Assy	
11-027	5AAVROLL*030	Roller Feed Assy	
11-028	5AAM7000E*01	Separator Assy	
11-029	5EZZS22401210101	Solenoid Flapper	
11-030	5MVB542SB001	BKT Sensor A	
11-031	5MVX422DB006	Actuator EF	
11-032	5MMW161LD028	Spring Act EF	
11-033	5MVB642SB010	Bkt Sensor B	
11-034		Actuator EF	
11-035		Spring Act EF	
11-036	5MVX331SB007	Actuator MPF A	
11-037	5AAPRSSC1017AH	PWB Assy KP-576/577	
11-038	5MVX311DB010	Actuator MPF B	
11-039	5MMW161LD027	Spring Act MPF	
11-040		Photo Sensor	
11-041	5ESM010242***01	Micro Switch 01X02	
11-042	5ES01000101*01	Push Switch 01 SN	
11-050	5MVB873CH001	Cover Tray (01-065)	

Ref No.	Part Code	Description	Quantity
11-051	5MVB873CH002	Tray A (01-065)	
11-052	5MVS871SH001	Tray B (01-065)	
11-053	5MVS761CH001	Tray C (01-065)	
11-054	5MVX773SH001	Guide Paper R (01-065)	
11-055	5MVX773SH002	Guide Paper L (01-065)	
11-056	5MVH622DH001	Arm Tray R (01-065)	
11-057	5MVH622DH002	Arm Tray L (01-065)	
11-058	5MVG127SH003	Gear Manual (01-065)	
11-059	5AY7000E*53	Sensor Eton Assy	
11-060	5MMX433LD005	Stopper Cam	
11-061	5APRIFC1009BH	Env PWB KP-502	
11-062	5AACCNQC8GEA	Conn Cord Assy	
11-063	5AACCNQB9GEA	Conn Cord Assy	
11-064	5MMW501LD002	Spring Pulley EF	
11-065	5AVTRAY*011	MPF Tray Assy	

Ref No.	Part Code	Description	Quantity
12-000	5AAY7000E*11	Face Down Unit	
12-001	5MVX876SH018	Frame FD	
12-002	5MMT865SN008	Roller Exit A	
12-003	5MMS647SD001	Plate Joint FD	
12-004	5MVM176DB012	Bush Pom B	
12-005	5MVG148DB010	Gear Feed Z34	
12-006	5MVG389RB001	Belt FD	
12-007	5MVG372DN003	Pulley P26	
12-008	5MMX743LD003	Plate Earth FD	
12-009	5ENXGP1A73A**01	Photo Sensor	
12-010	5MMT266SN003	Pin FD A	
12-011	5MMT865SN007	Roller Exit B	
12-012	5MVG138DN033	Gear Z29S	
12-013	5MVG148DN001	Gear Idle Z33	
12-014	5MVG148DB009	Gear Idle Z40	
12-015	5MVX443SB003	Actuator FD	
12-016	5MVX322DB017	Actuator FU	
12-017	5MMW164LD001	Spring FD	
12-018	5MMW153LD003	Spring FU	
12-019	5MVG148DB030	Gear Z38S	
12-020	5MMW266LD006	Spring Press A	
12-021	5MVM166AN001	Collar	
12-022	5MVX874SH002	Cover FD	
12-023	5MVX321SH004	Holder FD R	
12-024	5MVX321SH005	Holder FD L	
12-025	5MVX863CB003	Guide Change	
12-026	5MMW245LD001	Spring Exit	
12-027	5MVM174DB002	Pulley Exit	
12-028	5MVX633SH007	Latch FD	
12-029	5MMW256LD001	Spring Latch	
12-030	5MVX421SB018	Actuator Sol	
12-031	5MMW261LJ032	Spring Sol	
12-032	5EZZ240102010	Solenoid	
12-033	5MVX774SB013	Cover Side	
12-037	5MMT733SN004	Shaft Exit	
12-038	5MVX532SB006	Actuator Full	
12-041	Cover PWB Assy		
12-044	5MVX331SH001	Holder Pulley	
12-045	5MVX111DB009	Pulley Stocker	
12-046	5MVX332SH002	Stocker	
12-047	5MVX422SH002	Base Stocker	
12-048	5MMW605LD003	Spring Stocker	
12-049	5MVG138DN036	Gear Z29S A	
12-050	5MMX331LD001	Washer Wave	

Ref No.	Part Code	Description	Quantity
12-051	5MMT865SN006	Roller Exit C	
12-052	5MMW143LD001	Spring Pulley	
12-053	5MMW245LD002	Spring Exit A	
12-054	5MMM121CX001	Bush Drum	
12-055	5AACCNQB8GEA	Conn Cord Assy S02064	
12-056	5AACCNQF9GEA	Conn Cord Assy S02109	
12-057	5MVS526FF001	Discharger FD	
12-058	5MVF111DN005	Bush SP	
12-A01	5MVX864SH008	Guide FD	
12-A02	5MVX332DN001	Snap	
12-A03		Photo Sensor	
12-A04	5MMW453LD001	Spring Full	
12-A05	5MMT733SN004	Shaft Exit	
12-A06	5MVX532SB006	Actuator Full	
12-A07	5MMW606LD003	Spring FD Exit	
12-A08	5MMS967SD001	Plate FD	
12-A09	5MMX662LD005	Plate Switch	
12-A10	5APRZZC1048AH	PWB Assy	
12-A11	5MVM174DB008	Pulley Exit	